

RIDING TROWEL

MP215



PARTS & DECALS MANUAL

Manual Part #: 075708P | Revision: A
Language: English | Original Instructions



NOTICE

This manual, or a copy of it, must be kept with the machine at all times.
There is a manual storage container located on the machine for your convenience.

RIDING TROWEL

PARTS & DECALS MANUAL

This manual covers the Riding Trowel model listed below:

<u>Part No.</u>	<u>Description</u>
073460	RIDER, MP215X

For more information regarding the following, please see “MP215X Safety & Operations Manual”

- Warranty information
- Dealer information
- How to identify the model/serial numbers on the machine
- Technical specifications

Table of Contents

Sect No.	Title	Page
1	PARTS.....	5
	Factory Service Information.....	6
	Replacement Parts Procedure	7
	General Arrangement	8
	General Arrangement Continued	10
	General Arrangement Parts List	11
	Main Frame Assembly	12
	Main Frame Assembly Parts List.....	13
	Steering System.....	14
	Steering System & Parts List	15
	Pitch Control Assembly.....	16
	Fuel System	18
	Fuel System Parts List.....	19
	Spray System.....	20
	Spray System Parts List.....	21
	Seat Frame Assembly.....	22
	Seat Frame Assembly Parts List.....	23
	Seat Frame Assembly Continued	24
	Seat Frame Assembly Parts List.....	25
	Power Unit Assembly.....	26
	Power Unit Assembly Parts List	27
	Driveline Assembly	28
	Driveline Assembly Parts List.....	29
	Left Hand Rotor Assembly	30
	LH Rotor Assembly Parts List.....	31
	Right Hand Rotor Assembly	32
	RH Rotor Assembly Parts List.....	33
	Left Hand Spider Assembly.....	34
	Right Hand Spider Assembly.....	35
2	DECALS	36
	Decals, MP215X.....	38
	Decals, MP215X Parts List.....	39
	Revision Detail	40

SECTION 1: PARTS

SECTION 1 PARTS

Factory Service Information

This section contains illustrated drawings and parts list for help in identifying and/or ordering replacement parts for your machine. Follow the instructions in the Replacement Parts Procedure section of this manual when ordering replacement parts to insure prompt and accurate delivery.

The Right Hand (RH) and/or Left Hand (LH) orientations are defined from the operator's point of view while sitting on the machine (SOM).

NOTE

All set screws have blue (LOC-TITE™) applied at the factory. If set screw is removed or loosened for any reason re-apply blue (LOC-TITE™).

NOTE

All grease fittings are capped with CAP PLUG GC-5 (AEC PN 015692) to protect the fitting. If cap becomes missing or damaged replace it as soon as possible.

NOTE

Anti-Seize is applied at the factory to all drive line coupling, gear box main and counter shafts and pitch control threaded rod assemblies. If these parts are disassembled re-apply a light coat of a graphite based anti-seize.

We recommend AEC quality replacement parts, these are available from the AEC Customer Service Department or your nearest AEC Dealer.

Part numbers are subject to change without notice. Part numbers might be different outside of the United States of America. Use part numbers listed in the applicable parts list table when you place your order. If a part number changes, the AEC Customer Service Department or your nearest AEC dealer will have the latest part number for the replacement part.

Remember when you order replacement parts, you will need your model number and serial number. These are the numbers that you have recorded in the UNIT ID section of the Safety and Operations manual. Please order replacement parts by the appropriate part number, not the key number.

This manual contains an illustrated parts list for help in ordering replacement parts for your machine. Follow the instructions below when ordering parts to insure prompt and accurate delivery:

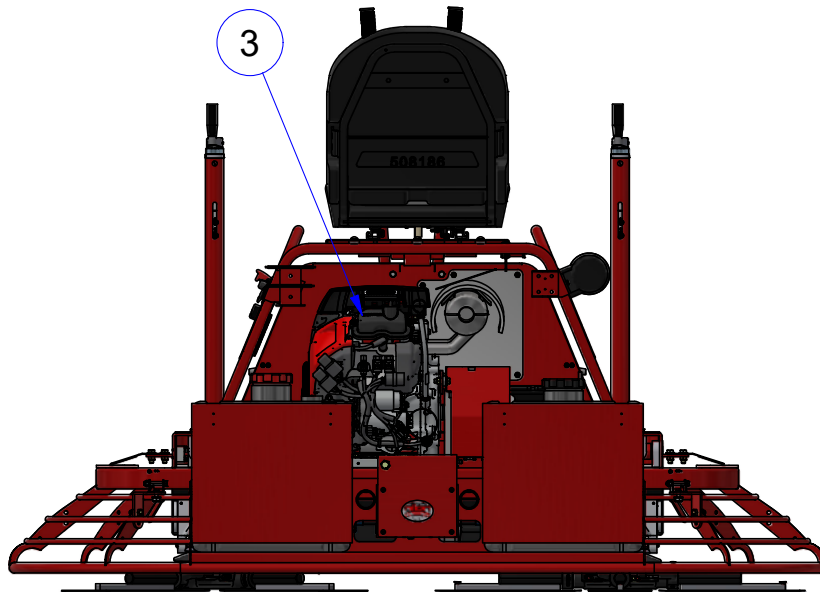
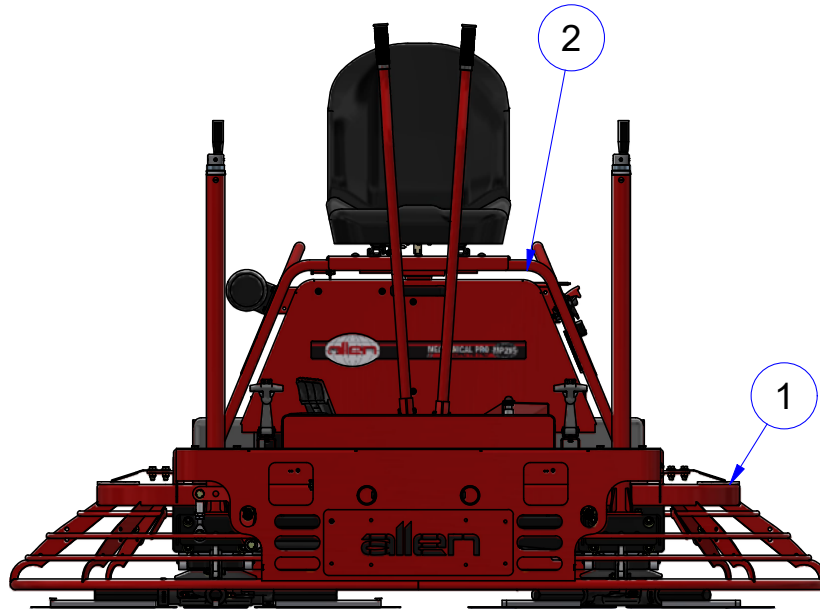
1. All orders for service parts must include the serial number for the machine. Shipment will be delayed if this information is not available.
2. Include the correct description and part number from Parts Section 1.
3. Specify exact shipping instructions, including the preferred routing and complete destination address
4. DO NOT return parts to AEC without receiving written authorization from AEC. All authorized returns must be shipped pre-paid.
5. When placing an order please contact the AEC dealer nearest to you.



All information, specifications, and illustrations in this manual are subject to change without notice and are based on the latest information at the time of publication.

**SECTION 1
PARTS**

General Arrangement

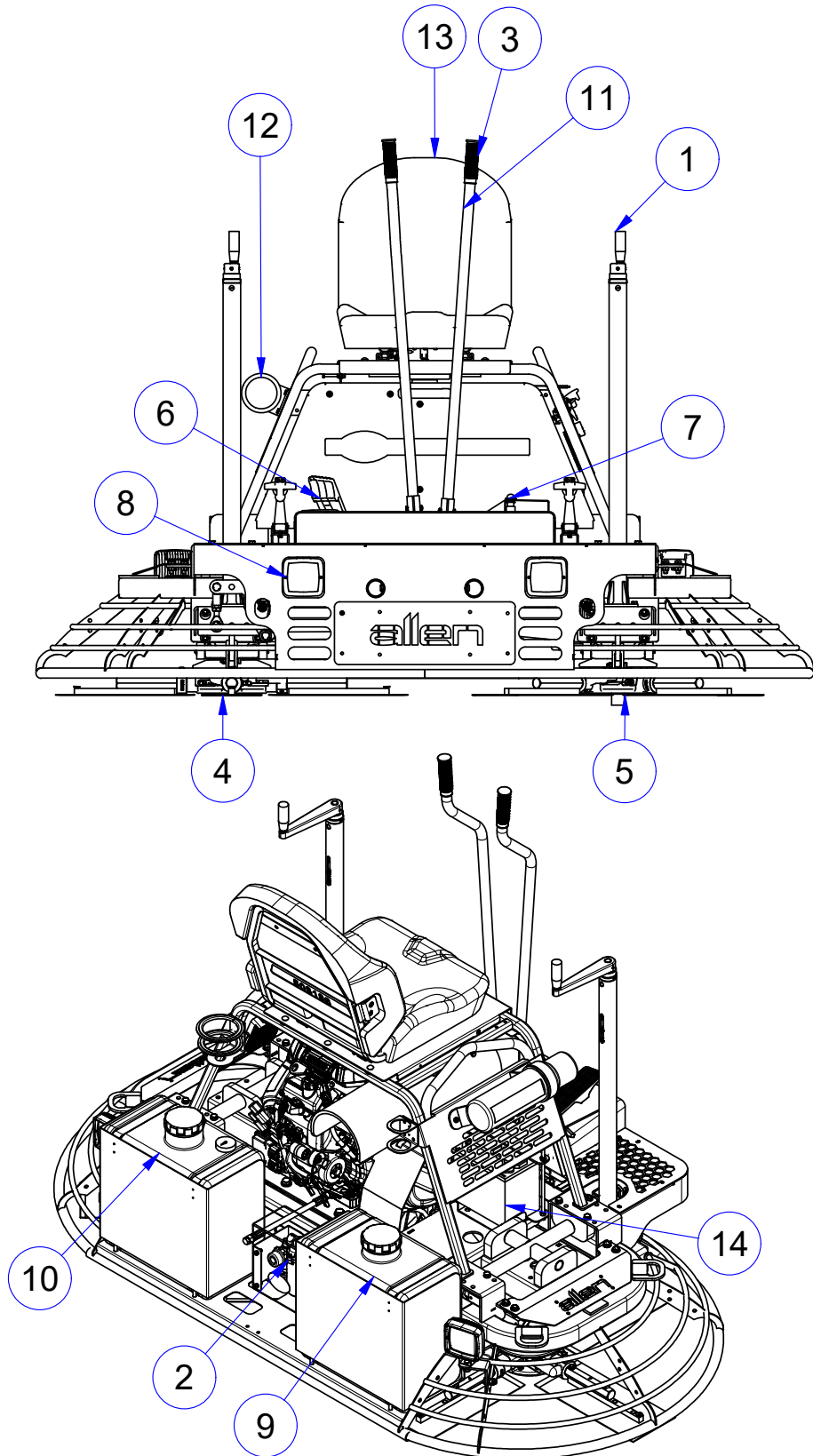


ITEM	PART #	DESCRIPTION	QTY
1	073461	ASSEMBLY, MAIN FRAME	1
2	073462	ASSEMBLY, SEAT FRAME	1
3	073470	ASSEMBLY, POWER UNIT	1

PAGE LEFT BLANK INTENTIONALLY

SECTION 1 PARTS

General Arrangement Continued



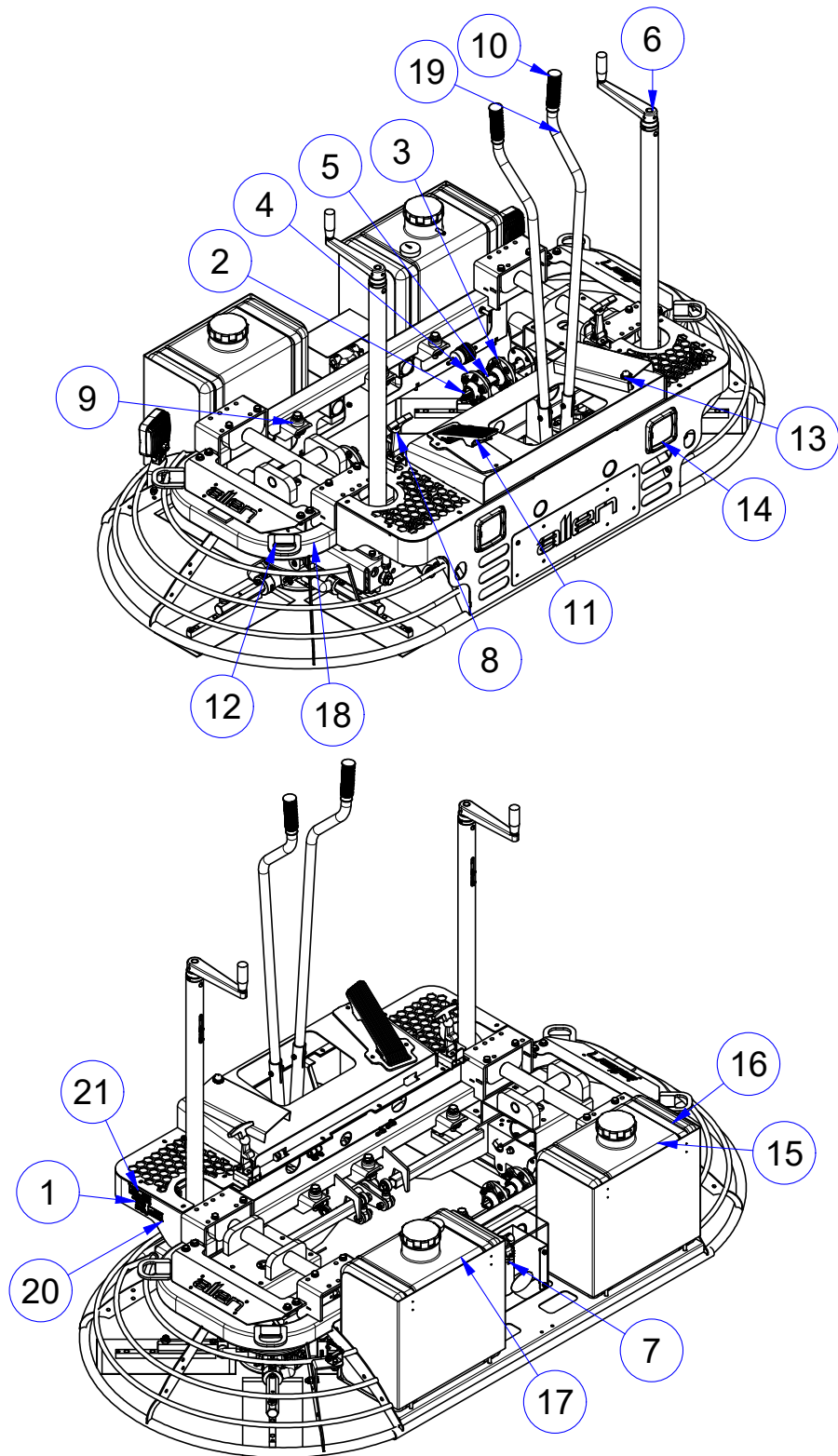
General Arrangement Parts List

SECTION 1 PARTS

ITEM	PART #	DESCRIPTION	QTY
1	032370	ASSEMBLY, PITCH CONTROL	2
2	033735	PUMP, SPRAY SYSTEM	1
3	048354	GRIP	2
4	053102	ASSEMBLY, RIGHT HAND ROTOR	1
5	053103	ASSEMBLY, LEFT HAND ROTOR	1
6	063341	FOOT PEDAL, ELECTRONIC	1
7	068956	SWITCH FOR SPRAY	1
8	069835	LIGHT LED 1200 LUMENS	4
9	071536	7 GALLON RETARDANT TANK	1
10	072854	7 GALLON FUEL TANK	1
11	073905	STEERING JOYSTICK	2
12	066255	MANUAL TUBE	1
13	069874	SEAT	1
14	BT0100	BATTERY	1

SECTION 1 PARTS

Main Frame Assembly



Main Frame Assembly Parts List

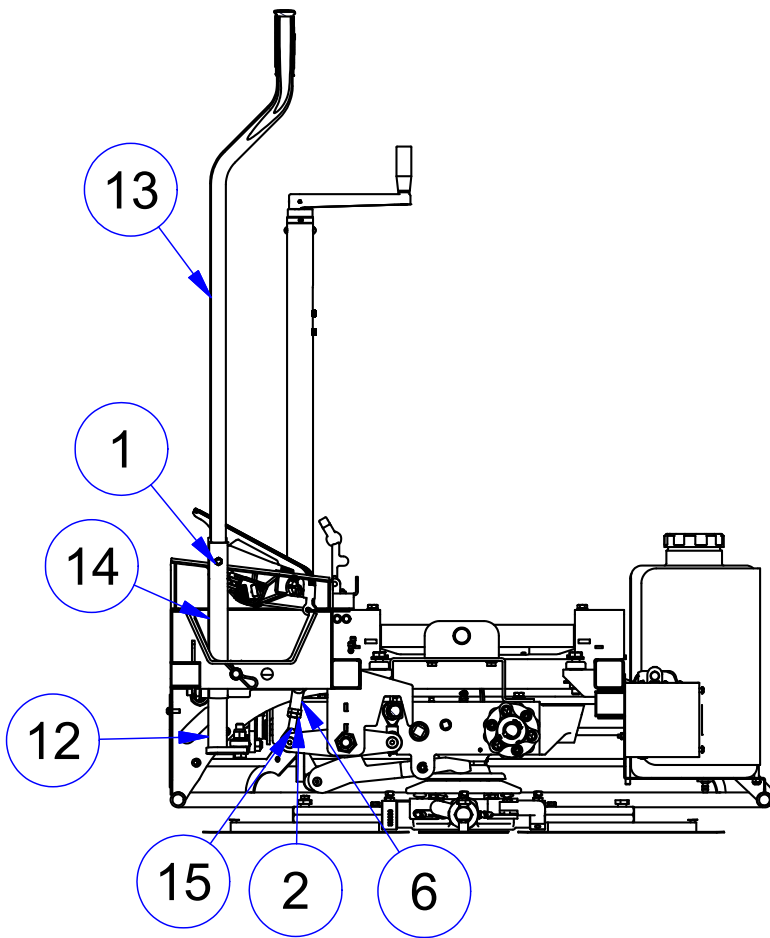
SECTION 1 PARTS

ITEM	PART #	DESCRIPTION	QTY
1	010513	FITTING, STR GREASE 1/4"-28	4
2	011791	KEY, 1/4" SQ X 1"	6
3	024967	COUPLER, DIA. 3/4" X 1" FLEX DISC	2
4	024968	COUPLER, DIA. 1" X 1" FLEX DISC	2
5	024971	SHAFT, DRIVE END 3-1/8"	2
6	032370	ASSEMBLY, PITCH CONTROL	2
7	033735	PUMP FOR SPRAY SYS.	1
8	042260	LATCH FOR FRONT SCREEN	2
9	046744	MOUNT, 90LB MOTOR ISOLATOR	6
10	048354	GRIP FOR STEERING LEVER	2
11	063341	FOOT PEDAL, ELECTRONIC	1
12	068459	DECAL, TIE DOWN	4
13	068956	SWITCH FOR SPRAY	1
14	069835	LIGHT, LED 1200 LUMENS	4
15	071536	7 GALLON RETARDANT TANK	2
16	072737	TANK GUARD	2
17	072854	7 GALLON FUEL TANK	1
18	073463	WELDMENT, MAIN FRAME	1
19	073905	STEERING JOYSTICK	2
20	074086	DECAL, GREASE PORT	1
21	074087	DECAL, DRIVE LINE BEARING GREASE & GEARBOX	1

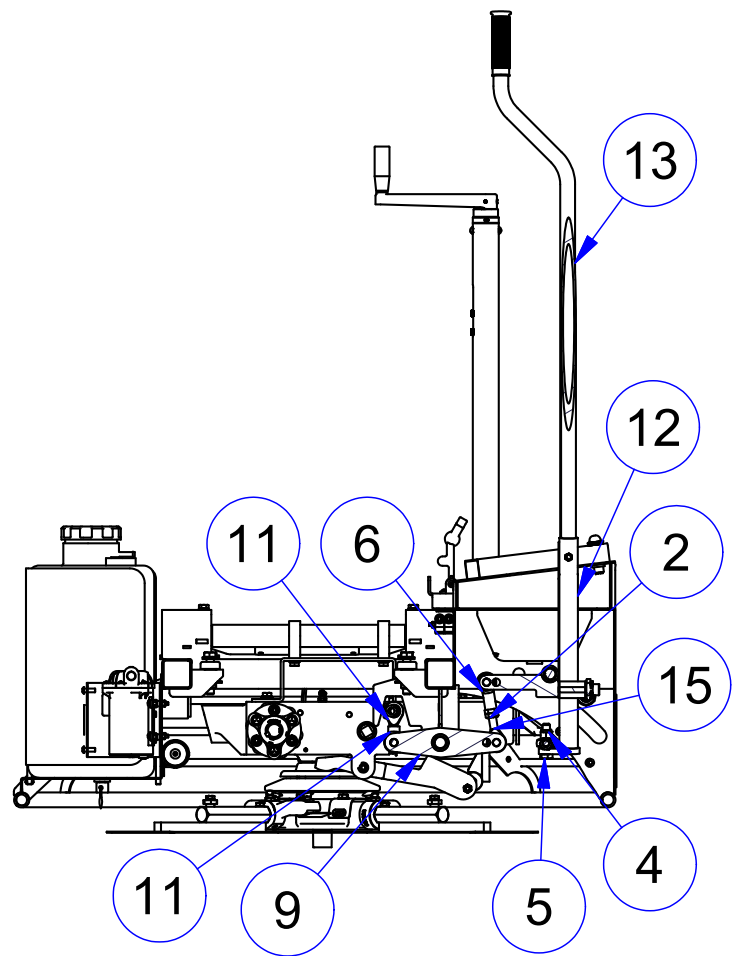
SECTION 1 PARTS

Steering System

Left Side

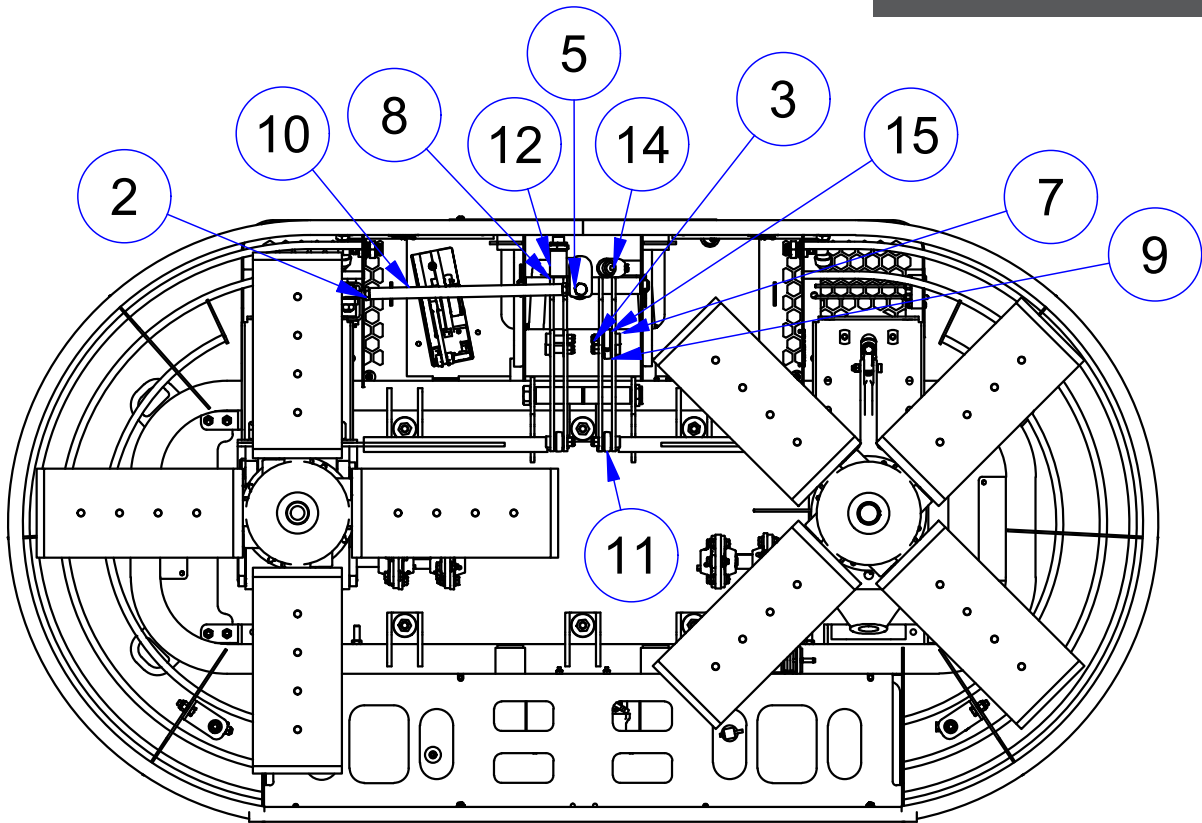


Right Side



Steering System & Parts List

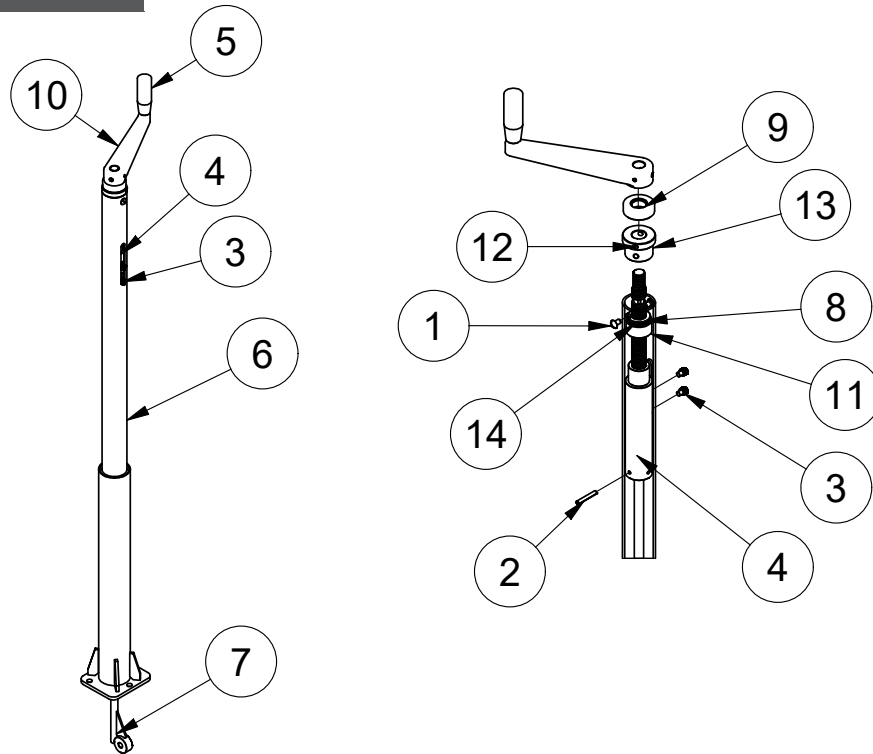
SECTION 1 PARTS



ITEM	PART #	DESCRIPTION	QTY
1	010005	FASTENER, HHCS 1/4"-20 X 1-1/2" GRADE 8	2
2	010051	FASTENER, HEX JAM NUT 1/2"-20 GRADE 8	4
3	010464	FASTENER, NUT NYLOCK 3/8"-16 GRADE 8	8
4	011238	FASTENER, HEX NUT NYLOCK 1/2"-13	1
5	010071	FASTENER, HHCS 1/2"-13 X 2"	1
6	019900	ROD, FEMALE END 1/2"	2
7	026267	BOLT 3/8"-16 X DIA 1/2" X 1	6
8	053111	WELDMENT, RIGHT HAND STEERING LEVER	1
9	053120	WELDMENT, LEVER ARM FOR STEERING	2
10	053126	SHAFT, STEERING LINKAGE 13"	1
11	053183	STEERING LINK, SHORT	2
12	073903	WELDMENT, RIGHT HAND STEERING TUBE	1
13	073905	STEERING JOYSTICK	2
14	073906	WELDMENT, LEFT HAND STEERING LEVER	1
15	221408	ROD, MALE END 1/2"	2

SECTION 1 PARTS

Pitch Control Assembly



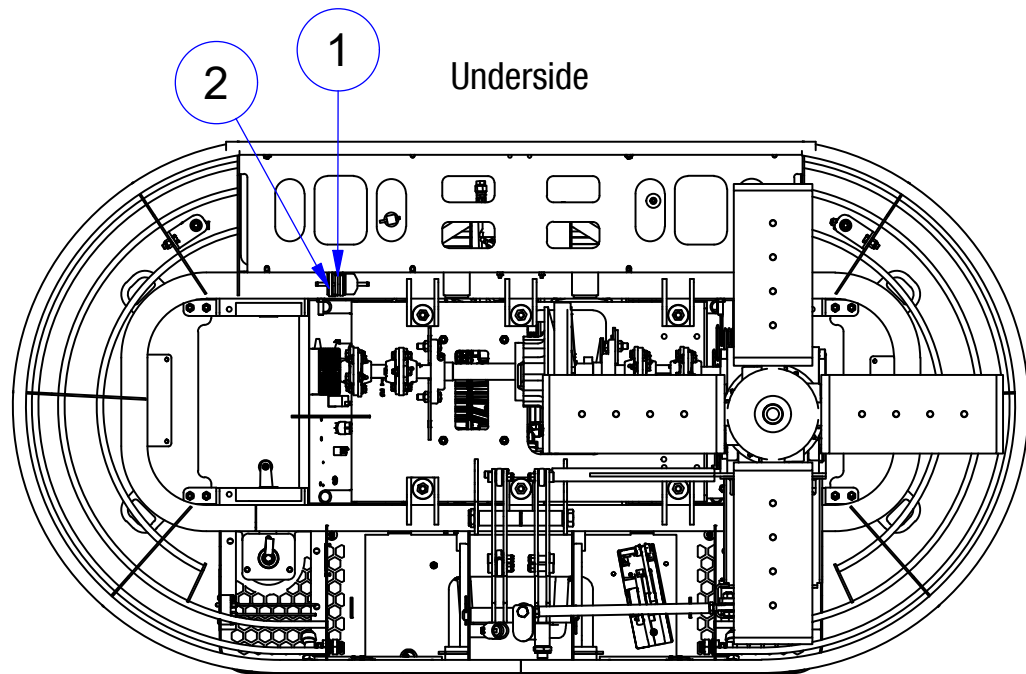
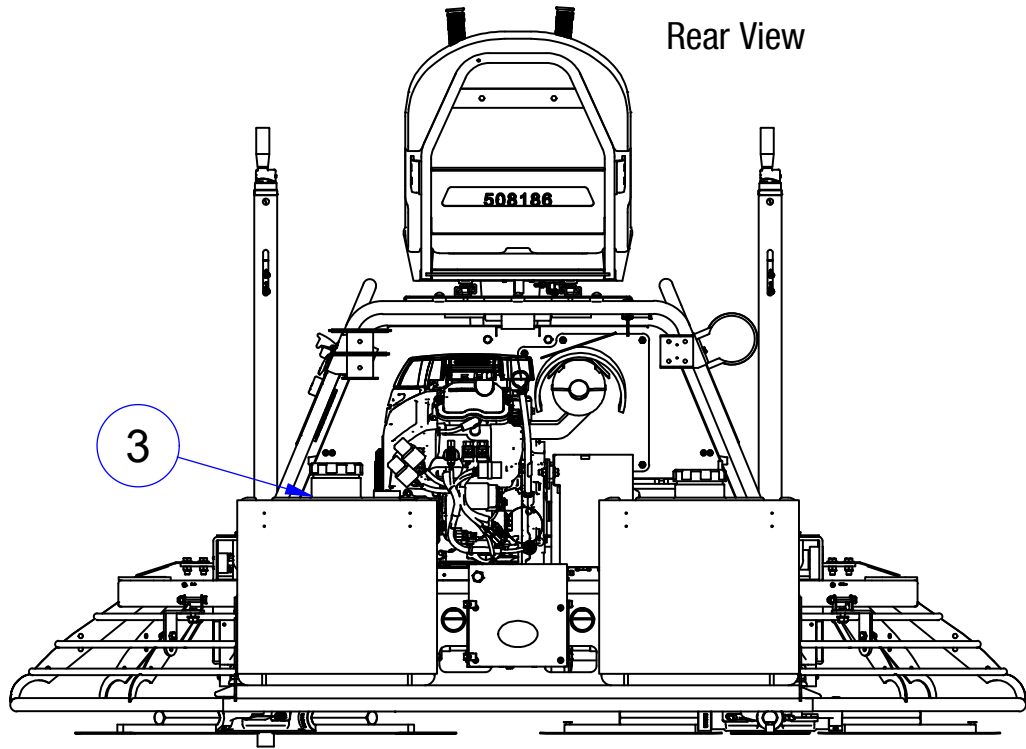
ITEM	PART #	DESCRIPTION	QTY
1	015410	FASTENER, RHMS 1/4" -20 X 3/8"	4
2	015747	PIN, ROLL 3/16" X 1-3/8" SPIROL	2
3	015768	FASTENER, SHCS 1/4" -20 X 1/4"	4
4	029812	BUSHING, SLIDE PITCH CONTROL	2
5	032115	KNOB, PITCH CONTROL HANDLE	2
6	026420	WELDMENT, PITCH CONTROL TUBE	2
7	029822	WELDMENT, PITCH CONTROL SHAFT	2
8	012710	THRUST BEARING RACE	4
9	015742	THRUST BEARING	2
10	061529	ASSEMBLY, CRANK HANDLE AND SCREW SHAFT	2
11	032191	STOPPER FOR PITCH CONTROL	2
12	036797	FASTENER, BALL PLUNGER 1/4" -20	4
13	036914	BUSHING	2
14	100340	THRUST BEARING	2

***NOTE:** Part quantities referenced in this table represent quantity needed **PER MACHINE**.

PAGE LEFT BLANK INTENTIONALLY

**SECTION 1
PARTS**

Fuel System



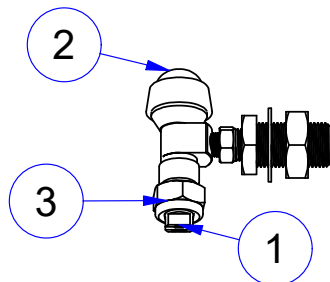
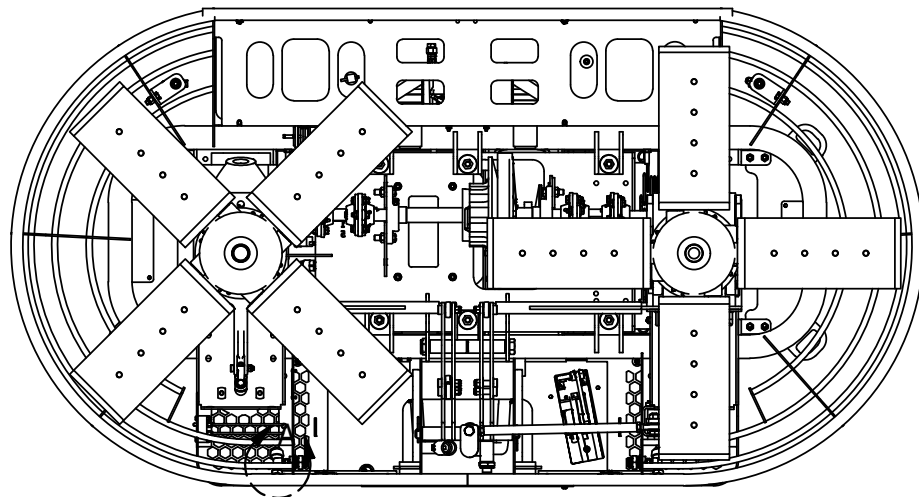
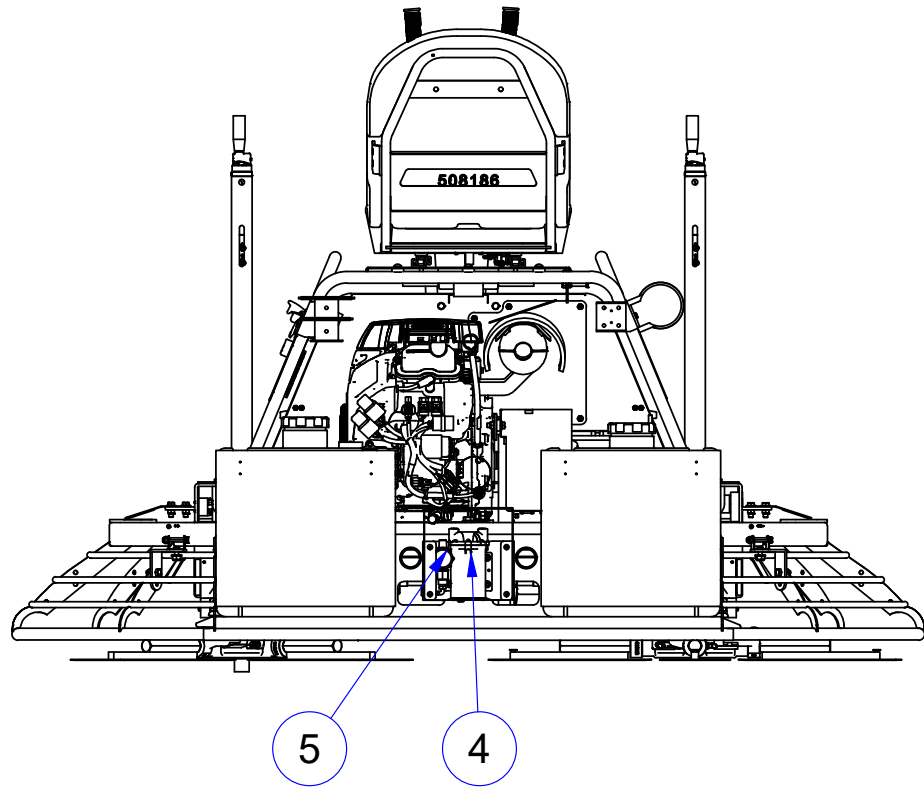
Fuel System Parts List

SECTION 1 PARTS

ITEM	PART #	DESCRIPTION	QTY
1	048963	LOOP CLAMP, VIBRATION DAMPING	1
2	049150	FUEL FILTER 1/4" IN LINE	1
3	072854	7 GALLON FUEL TANK	1

**SECTION 1
PARTS**

Spray System



**DETAIL A
SCALE 1/2**

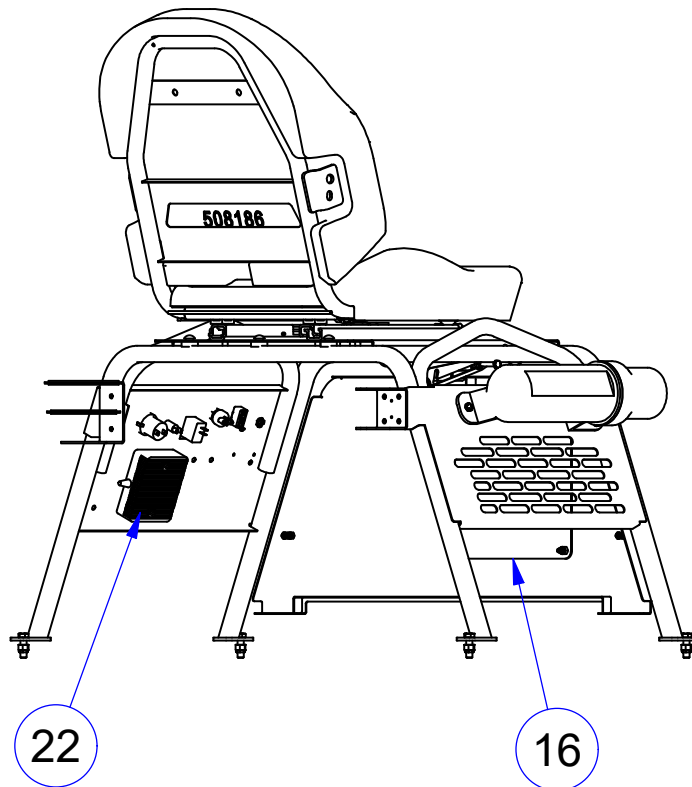
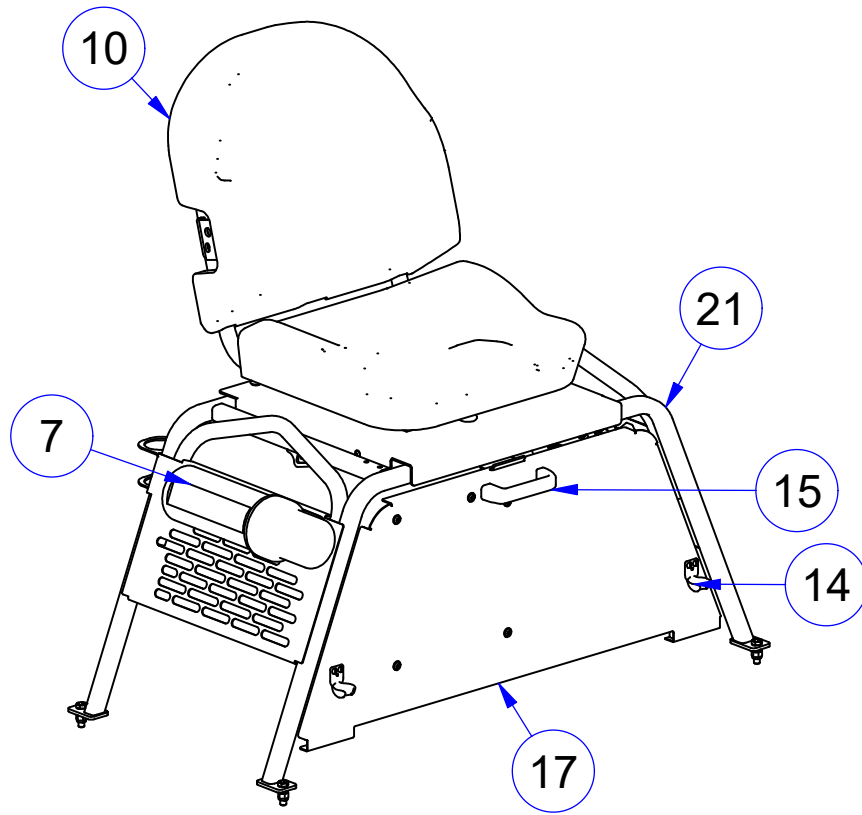
Spray System Parts List

SECTION 1 PARTS

ITEM	PART #	DESCRIPTION	QTY
-	074139	KIT, HYDRAULIC SPRAY AND LUBRICATION	1
1	012702	SPRAY TIP	2
2	012704	SPRAY NOZZLE	2
3	012705	NOZZLE NUT	2
4	033735	PUMP, SPRAY SYSTEM	1
5	040209	FILTER FOR SPRAY SYSTEM	1

**SECTION 1
PARTS**

Seat Frame Assembly



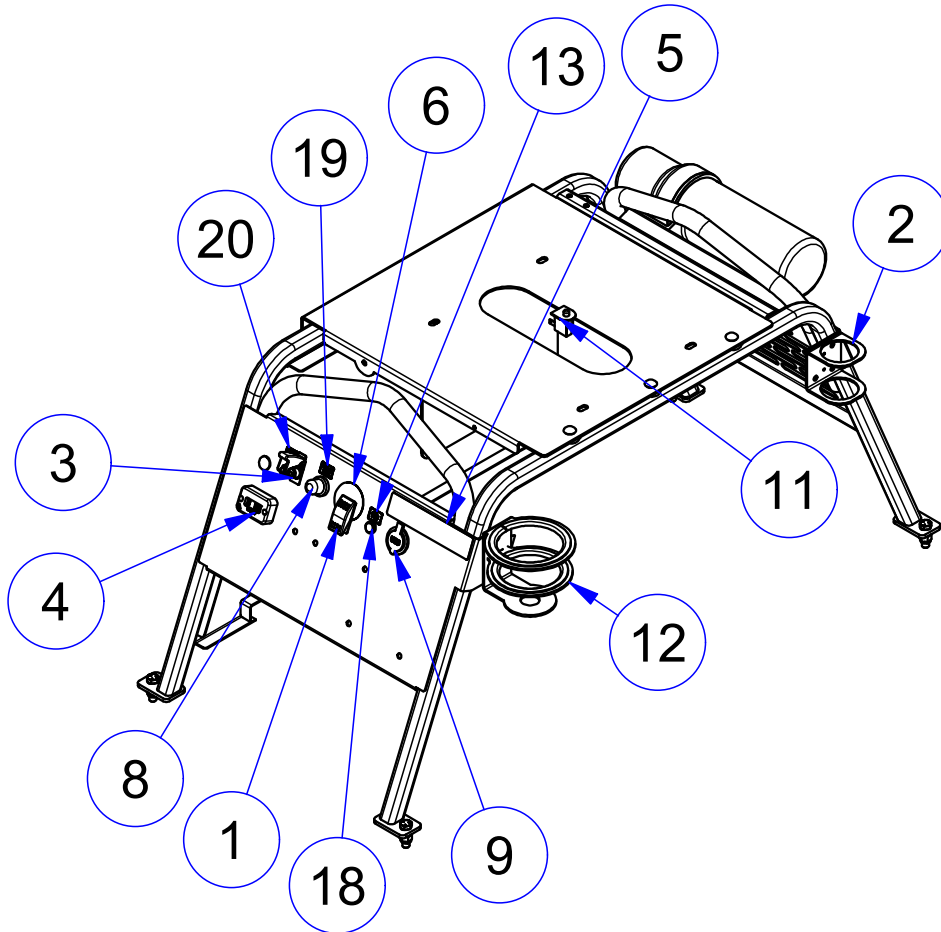
Seat Frame Assembly Parts List

SECTION 1 PARTS

ITEM	PART #	DESCRIPTION	QTY
1	032125	ROCKER SWITCH FOR LIGHTS	1
2	049632	TOOL HOLDER BRACKET	1
3	050603	TOGGLE SWITCH, ON/OFF	1
4	064386	HOUR METER	1
5	065915	DECAL, PPE	1
6	065918	DECAL MP215 LIGHTS	1
7	066255	MANUAL TUBE	1
8	068956	SWITCH, PUSH TO START	1
9	069850	USB RECEPTICAL	1
10	069874	SEAT	1
11	071032	SEAT KILL SWITCH	1
12	071120	METAL CUP HOLDER	1
-	071123	TRIM CUT FOR TOP SECTION OF CUP HOLDER	1
-	071124	TRIM CUT FOR MIDDLE SECTION OF CUP HOLDER	1
13	072966	DECAL, CHECK ENGINE LIGHT	1
14	042260	LATCH FOR FRONT SCREEN	2
15	048678	HANDLE, FRONT SCREEN	1
16	073408	PLATE, HEAT SHIELD	1
17	073481	ASSEMBLY, FRONT SCREEN	1
17	073480	WELDMENT, FRONT SCREEN PANEL	1
18	073948	LIGHT, RED LED	1
19	074011	DECAL, PUSH TO START	1
20	074012	DECAL, ENGINE ON/OFF	1
21	074332	WELDMENT, SEAT FRAME	1
22	-	HONDA EFI CONTROL MODULE (COMES WITH ENGINE)	1
-	075442	DECAL, MP215 FRONT SCREEN (NOT SHOWN)	1

**SECTION 1
PARTS**

Seat Frame Assembly Continued



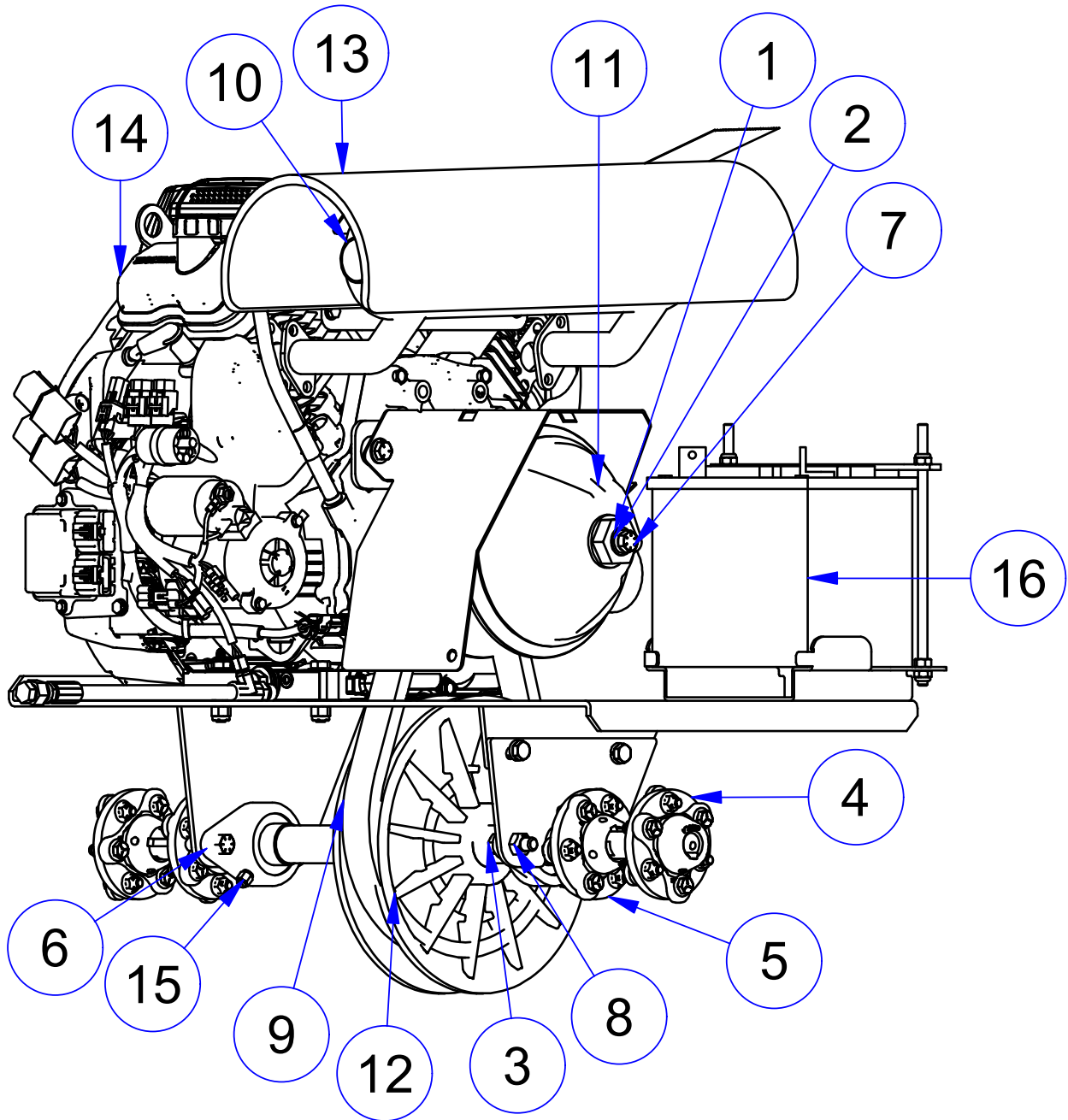
Seat Frame Assembly Parts List

SECTION 1 PARTS

ITEM	PART #	DESCRIPTION	QTY
1	032125	ROCKER SWITCH FOR LIGHTS	1
2	049632	TOOL HOLDER BRACKET	1
3	050603	TOGGLE SWITCH, ON/OFF	1
4	064386	HOUR METER	1
5	065915	DECAL, PPE	1
6	065918	DECAL MP215 LIGHTS	1
7	066255	MANUAL TUBE	1
8	068956	SWITCH, PUSH TO START	1
9	069850	USB RECEPTICAL	1
10	069874	SEAT	1
11	071032	SEAT KILL SWITCH	1
12	071120	METAL CUP HOLDER	1
-	071123	TRIM CUT FOR TOP SECTION OF CUP HOLDER	1
-	071124	TRIM CUT FOR MIDDLE SECTION OF CUP HOLDER	1
13	072966	DECAL, CHECK ENGINE LIGHT	1
14	042260	LATCH FOR FRONT SCREEN	2
15	048678	HANDLE, FRONT SCREEN	1
16	073408	PLATE, HEAT SHIELD	1
17	073481	ASSEMBLY, FRONT SCREEN	1
17	073480	WELDMENT, FRONT SCREEN PANEL	1
18	073948	LIGHT, RED LED	1
19	074011	DECAL, PUSH TO START	1
20	074012	DECAL, ENGINE ON/OFF	1
21	074332	WELDMENT, SEAT FRAME	1
22	-	HONDA EFI CONTROL MODULE (COMES WITH ENGINE)	1
-	075442	DECAL, MP215 FRONT SCREEN (NOT SHOWN)	1

**SECTION 1
PARTS**

Power Unit Assembly



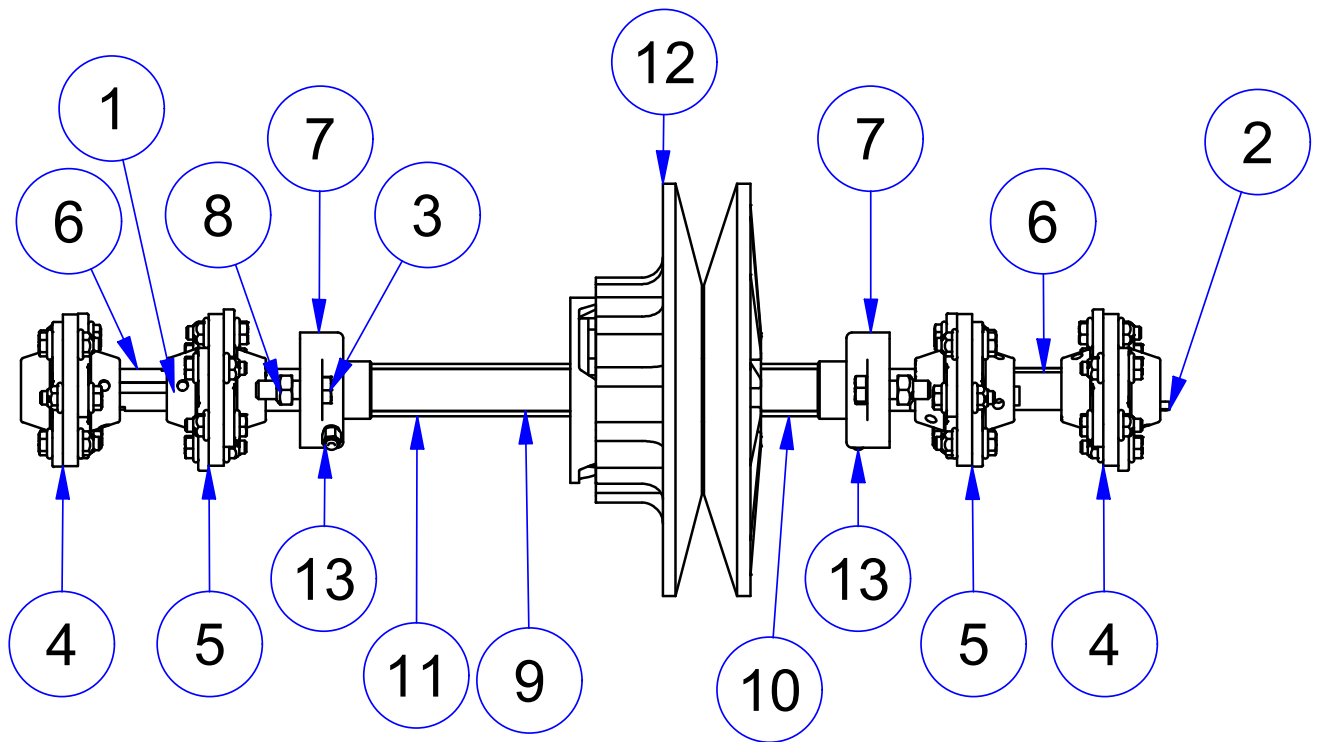
Power Unit Assembly Parts List

SECTION 1 PARTS

ITEM	PART #	DESCRIPTION	QTY
1	010096	FASTENER, FLAT WASHER 7/16"	1
2	010092	FASTENER, LOCK WASHER 7/16"	1
3	017898	FASTENER, HHCS 7/16"-20 X 1-1/2"	4
4	024967	COUPLER, DIA. 3/4" X DIA. 1"	2
5	024968	COUPLER, DIA. 1" X DIA. 1"	2
6	039136	1" FLANGED TWO BOLT BEARING	2
7	042280	FASTENER, HHCS 7/16"-20 X 4-1/2"	1
8	047477	STOVER NUT, 7/16"-20	4
9	051332	BELT	1
10	051981	MUFFLER	1
11	053327	DRIVER PULLEY, CLUTCH	1
-	053210	KEY FOR DRIVER PULLEY, 3/16" X 1/4" X 2"	1
12	053389	DRIVEN PULLEY	1
13	056938	HEAT WRAP 14" X 20"	1
14	073485	ENGINE, IGX700	1
15	073817	FITTING, STRAIGHT PUSH IN 4MM TUBING 1/8" NTP	2
16	BT0100	BATTERY	1

**SECTION 1
PARTS**

Driveline Assembly



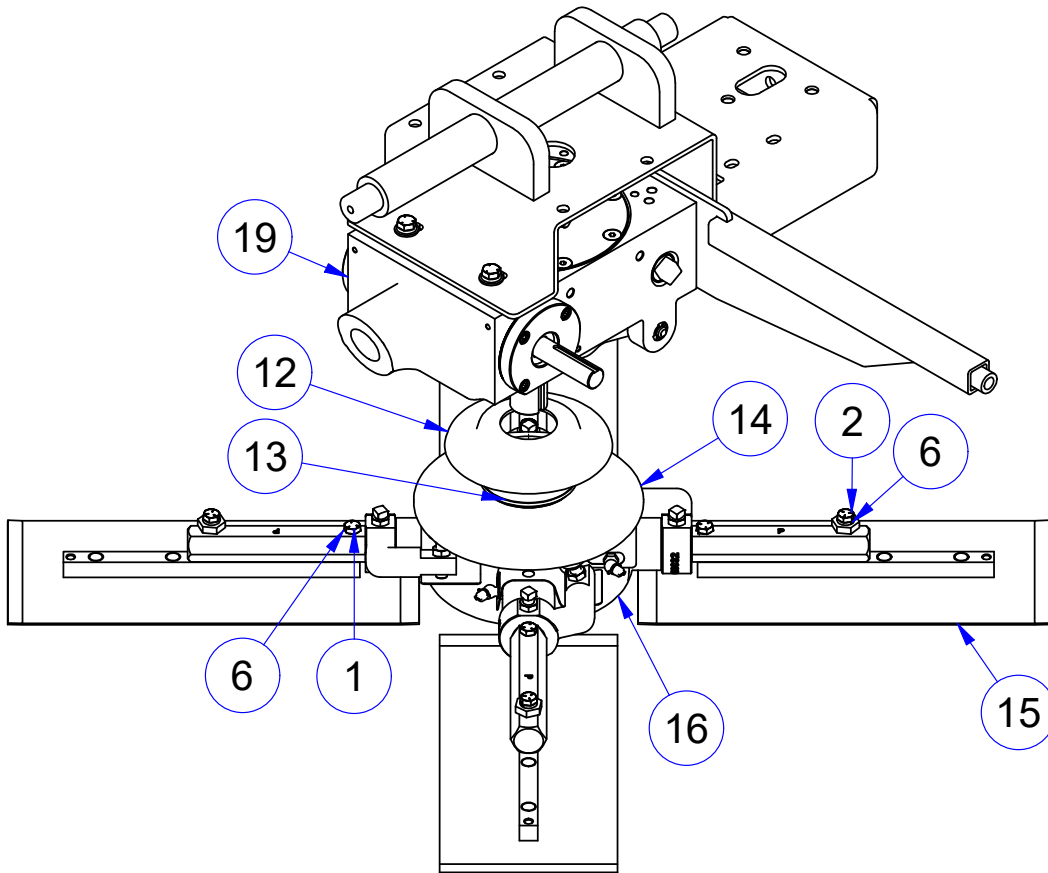
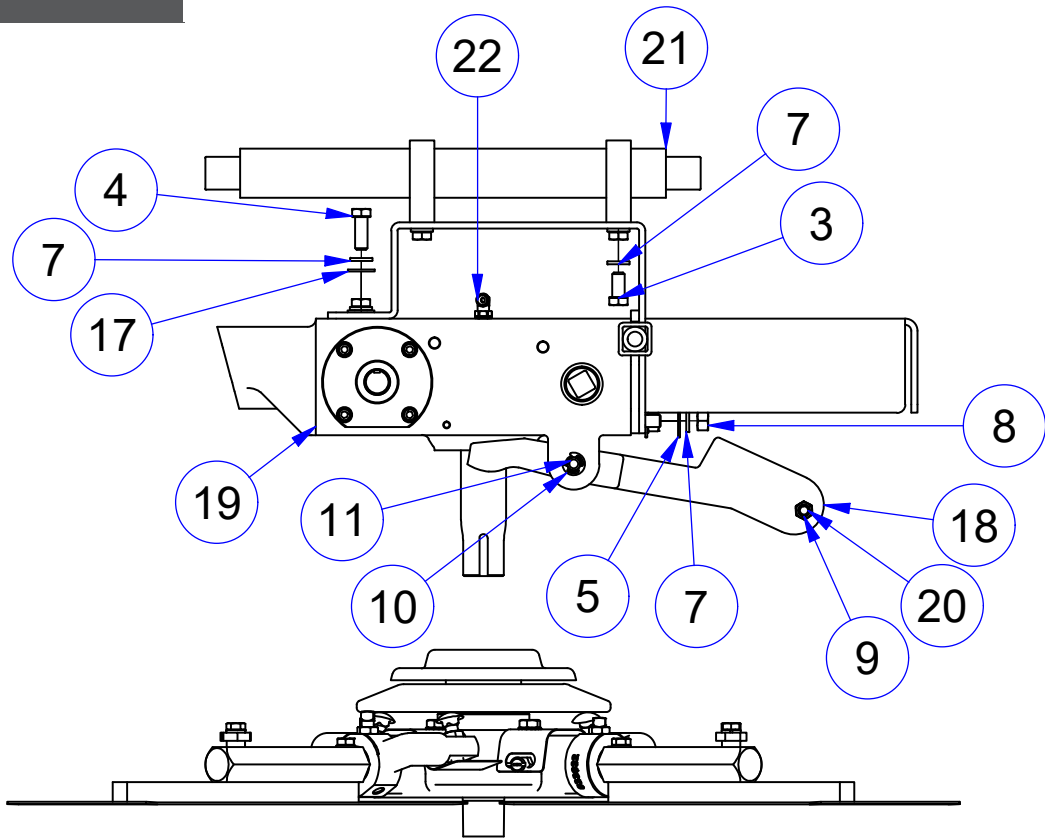
Driveline Assembly Parts List

SECTION 1 PARTS

ITEM	PART #	DESCRIPTION	QTY
1	011791	KEY, 1/4" SQ X 1"	6
2	015813	KEY, 3/16" SQ X 1" RADI ENDS	2
-	024820	KEY FOR DRIVEN PULLEY, 1/4" SQ X 4"	1
3	017989	FASTENER, HHCS 7/16"-20 X 1-1/2"	4
4	024967	COUPLER, DIA. 3/4" X 1"	2
5	024968	COUPLER, DIA. 1" X 1"	2
6	024971	SHAFT, DRIVE END 3-1/8"	2
7	039136	1" FLANGED TWO BOLT BEARING	2
8	047477	STOVER NUT, 7/16"-20	4
9	050070	DRIVE SHAFT 17-1/2"	1
10	053193	SPACER BEARING 1-3/8"	1
11	053194	SPACER BEARING 4-3/4"	1
12	053389	DRIVEN PULLEY	1
13	073817	FITTING, STRAIGHT PUSH IN 4MM TUBING 1/8" NTP	2

SECTION 1
PARTS

Left Hand Rotor Assembly



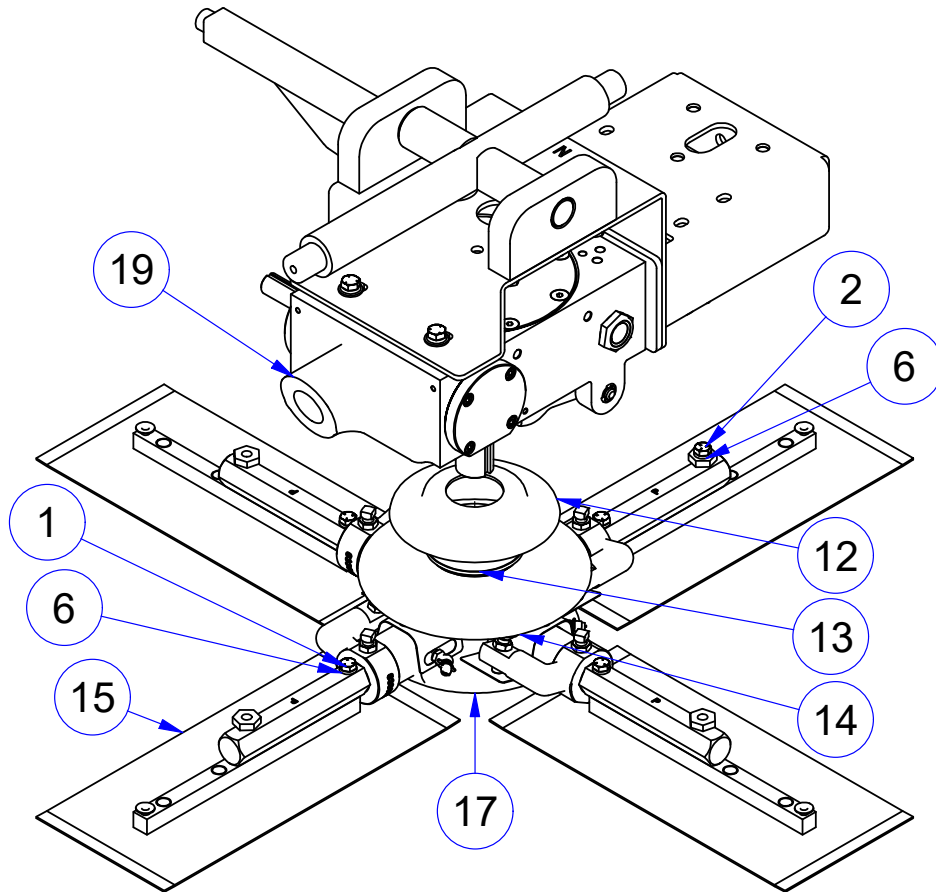
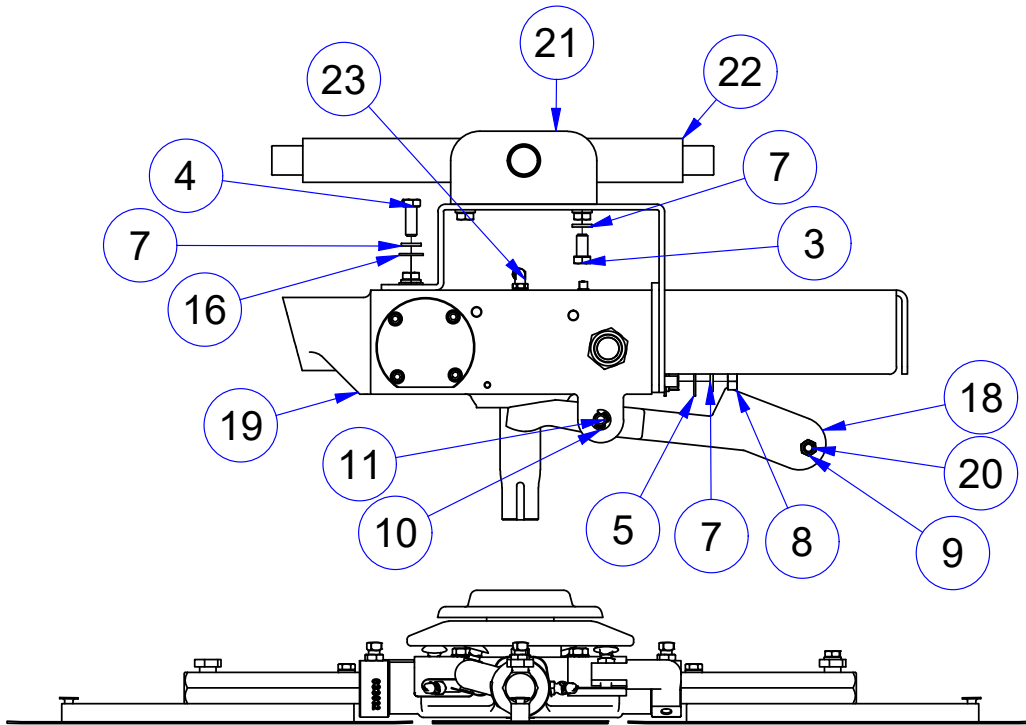
LH Rotor Assembly Parts List

SECTION 1 PARTS

ITEM	PART #	DESCRIPTION	QTY
1	010023	FASTENER, HHCS 5/16"-18 X 1-3/4"	4
2	010024	FASTENER, HHCS 5/16"-18 X 2"	4
3	010035	FASTENER, HHCS 3/8"-16 X 3/4"	4
4	010036	FASTENER, HHCS 3/8"-16 X 1"	2
5	017751	FASTENER, FLAT WASHER 3/8"	4
6	010090	FASTENER, LOCK WASHER 5/16"	8
7	010091	FASTENER, LOCK WASHER 3/8"	10
8	010102	FASTENER, HEX NUT 3/8"-16	4
9	012612	FASTENER, NYLOCK HEX NUT 5/16"-18	1
10	015677	RETAINING RING DIA. 7/16" E-STYLE	2
11	015678	PIN, YOKE ARM	1
12	015821	PRESSURE PLATE CAP	1
13	015822	THRUST BEARING	1
14	015824	PRESSURE PLATE	1
15	015890	TROWEL BLADE, FINISH 6" X 14"	4
16	015893	ASSEMBLY, LEFT HAND SPIDER	1
17	017751	FASTENER, FLAT WASHER 3/8"	2
18	026215	YOKE ARM	1
19	026442	LEFT HAND GEARBOX	1
20	026504	FASTENER, SHLD BOLT 3/8" X 1-1/4"	1
21	050022	CROSSHEAD, TWO WAY	1
22	074094	FITTING, 90° 4MM TUBE X 1/4"-28 SWIVAL	1

**SECTION 1
PARTS**

Right Hand Rotor Assembly



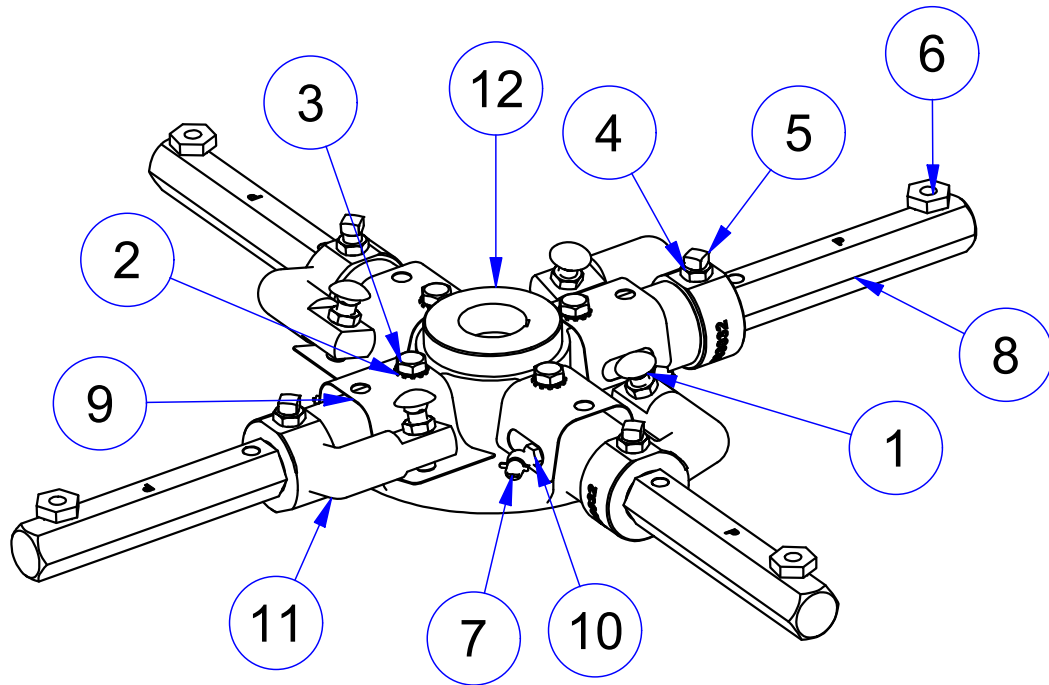
RH Rotor Assembly Parts List

SECTION 1 PARTS

ITEM	PART #	DESCRIPTION	QTY
1	010023	FASTENER, HHCS 5/16"-18 X 1-3/4",	4
2	010024	FASTENER, HHCS 5/16"-18 X 2"	4
3	010035	FASTENER, HHCS 3/8"-16 X 3/4"	4
4	010036	FASTENER, HHCS 3/8"-16 X 1"	2
5	017751	FASTENER, FLAT WASHER 3/8"	4
6	010090	FASTENER, LOCK WASHER 5/16"	8
7	010091	FASTENER, LOCK WASHER 3/8"	10
8	010102	FASTENER, HEX NUT 3/8"-16	4
9	012612	FASTENER, HEX NUT NYLOCK 5/16"-18	1
10	015677	RETAINING RING DIA. 7/16" E-STYLE	2
11	015678	PIN, YOKE ARM	1
12	015821	PRESSURE PLATE CAP	1
13	015822	THRUST BEARING	1
14	015824	PRESSURE PLATE	1
15	015890	TROWEL BLADE, FINISH 6" X 14"	4
16	017751	FASTENER, FLAT WASHER 3/8"	2
17	024813	ASSEMBLY, RIGHT HAND SPIDER	1
18	026215	YOKE ARM	1
19	026443	RIGHT HAND GEARBOX, STANDARD	1
20	026504	SHOULDER SCREW 5/16"-18 X 1/2" X DIA. 3/8" X 1-1/4"	1
21	048561	ASSEMBLY, ROTOR MOUNT BEARINGS	2
-	048560	BEARING, FLANGED FOR ROTOR MOUNT	2
22	050020	CROSSHEAD FOUR WAY	1
23	074094	FITTING, 90° 4MM TUBE X 1/4"-28 SWIVAL	1

SECTION 1 PARTS

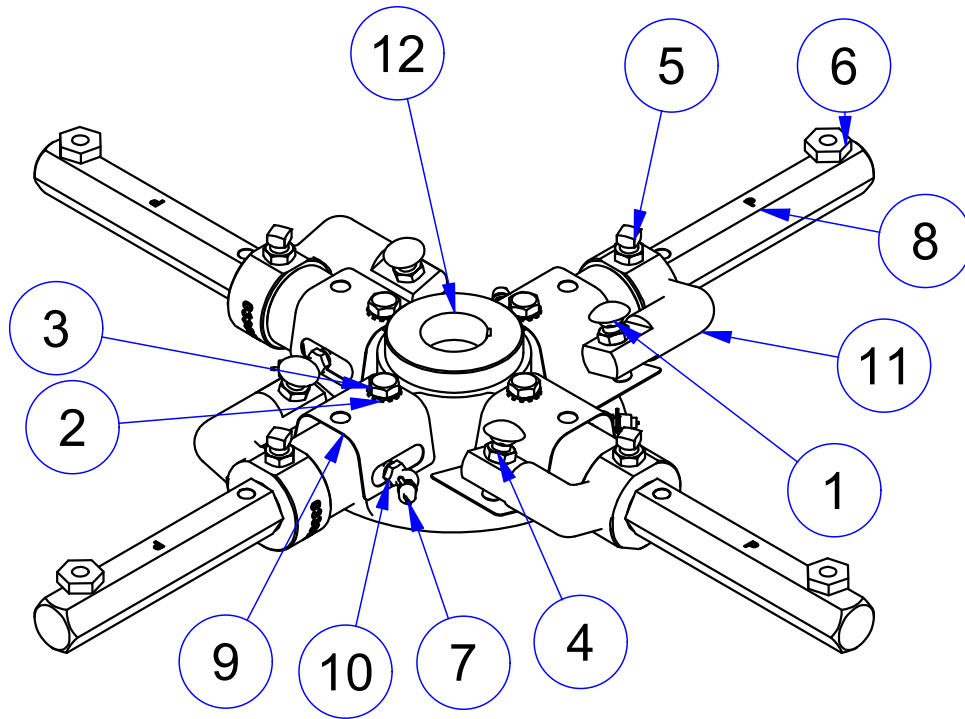
Left Hand Spider Assembly



ITEM	PART #	DESCRIPTION	QTY
1	012990	FASTENER, CABLT 3/8"-16 X 1-1/4"	4
2	015682	FASTENER, EXT STAR LOCK WASHER 3/8"	4
3	015683	FASTENER, HHCS 3/8"-16 X 7/8"	4
4	015684	FASTENER, JAM HEX NUT 3/8"-16	8
5	015686	FASTENER, SQHSS 3/8"-16 X 1"	4
6	015688	FASTENER, 9/16"-18 NF ADJ/MACH SCREW	4
7	015692	RED GREASE CAP DIA. 1/4"	4
8	069910	TROWEL ARM	4
9	016920	SPRING CLIP	4
10	024755	FITTING, GREASE 1/8"-27 45°	4
11	033032	LIFT LEVER 1"	4
12	064221P	SPIDER FOUR BOSS	1

Right Hand Spider Assembly

SECTION 1 PARTS



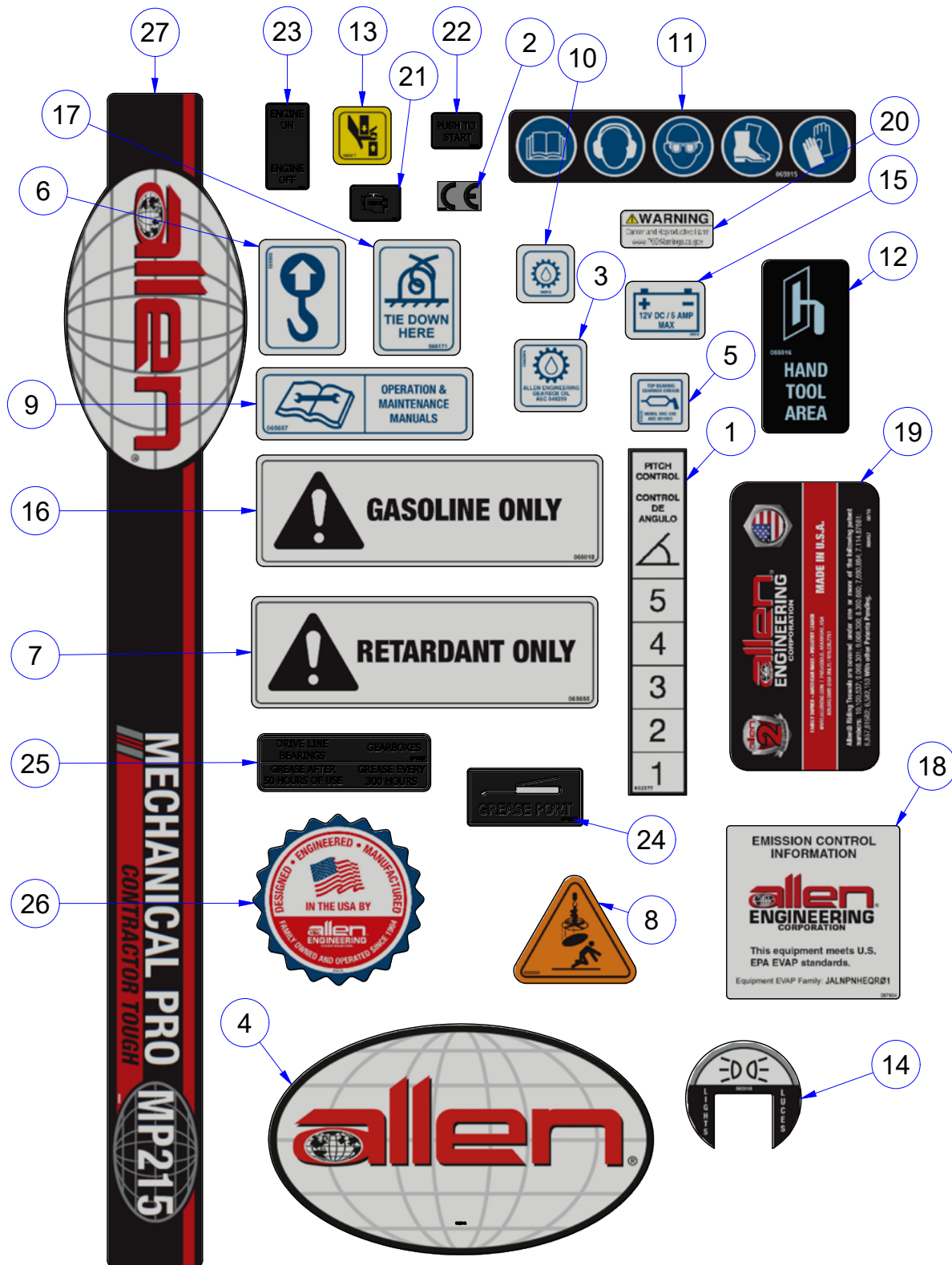
ITEM	PART #	DESCRIPTION	QTY
1	012990	FASTENER, CABLE 3/8"-16 X 1-1/4"	4
2	015682	FASTENER, EXT STAR LOCK WASHER 3/8"	4
3	015683	FASTENER, HHCS 3/8"-16 X 7/8"	4
4	015684	FASTENER, JAM HEX NUT 3/8"-16	8
5	015686	FASTENER, SQHSS 3/8"-16 X 1"	4
6	015688	FASTENER, 9/16"-18 NF ADJ/MACH SCREW	4
7	015692	RED GREASE CAP DIA. 1/4"	4
8	069910	TROWEL ARM	4
9	016920	SPRING CLIP	4
10	024755	FITTING, GREASE 1/8"-27 45°	4
11	033032	LIFT LEVER 1"	4
12	064221P	SPIDER FOUR BOSS	1

SECTION 2: DECALS

PAGE LEFT BLANK INTENTIONALLY

SECTION 2 DECALS

Decals, MP215X



Decals, MP215X Parts List**SECTION 2
DECALS**

ITEM	PART #	DESCRIPTION	QTY
-	074092	KIT, MP215X DECAL	1
1	032377	PITCH CONTROL TUBE	2
2	039893	CE MARKING	1
3	048299D	OIL, GEARBOX	2
4	056340	ALLEN OVAL 4" X 6.67"	1
5	065564	GREASE, GEARBOX	1
6	065653	LIFT HOOK	2
7	065655	RETARDANT ONLY	1
8	065656	PAN FALL	1
9	065657	OPERATOR'S MAMUAL	1
10	065913	OIL, GEARBOX	1
11	065915	PPE	1
12	065916	HAND TOOL AREA	1
13	065917	PINCH POINTS	3
14	065918	LIGHTS	1
15	065919	12 VOLT DC/5 AMP MAX	1
16	066018	GAS ONLY	1
17	066171	TIE DOWN ONLY	4
18	067934	EPA LABEL	1
19	068457	PATENT PLACARD	1
20	069225	PROPOSITION 65	1
21	072966	CHECK ENGINE LIGHT	1
22	074011	PUSH TO START	1
23	074012	ENGINE ON/OFF	1
24	074086	GREASE PORT	1
25	074087	DRIVE LINE BEARINGS & GEARBOXES	1
26	075276	MADE IN AMERICA	1
27	075442	MP215 FRONT SCREEN	1
-	065946	MP215 SIDE PANEL	2
-	075179	QR CODE	1

Revision Detail

MANUAL REVISION DETAIL

REVISION #	REVISION DATE	REVISION REFERENCE #	REVISION BY
	11/21	Initial Release	MK
A	01/22	Updated Covers	MK

Copyright © 2021 Allen Engineering Corporation
All rights reserved

All information, specifications, and illustrations in this manual are subject to change without notice and are based on the latest information at the time of publication. No part of this manual may be reproduced or transmitted in any form or by any means, electronics or mechanical, for any purpose, without the express written permission of Allen Engineering Corporation (AEC). AEC assumes no responsibility or liability for any errors or inaccuracies that may appear in this manual.

Allen® Products are covered under one or more of the following patent numbers:

U.S. Design Patents: 344,736; 400,542; 400,544; 402,998; 402,999; 403,332; 404,041; 404,042; 410,931; 413,127; 416,564; 465,897; 466,909; 474,203.

U.S. Utility Patents: 5,108,220; 5,238,323; 5,328,295; 5,352,063; 5,405,216; 5,476,342; 5,480,257; 5,480,258; 5,533,831; 5,562,361; 5,567,075; 5,613,801; 5,658,089; 5,685,667; 5,803,658; 5,816,739; 5,816,740; 5,890,833; 5,934,823; 5,967,696; 5,988,938; 5,988,939; 6,019,433; 6,019,545; 6,048,130; 6,053,660; 6,089,786; 6,106,193; 6,857,815; 5,288,166; 6,582,153 B1, 7,108,449; 7,114,876; 7,316,523; 7,690,864 B2

Canadian Patents: 2,039,893.

With other Patents Pending.

Printed in U.S.A.



PAGE LEFT BLANK INTENTIONALLY



AEC FACTORY & HEADQUARTERS

819 S. 5TH STREET
PARAGOULD, ARKANSAS 72450
870.236.7751
800.643.0095 (TOLL FREE (USA ONLY))

MAILING

PO BOX 819
PARAGOULD, ARKANSAS 72451

ALLENENG.COM

CONNECT WITH US ON SOCIAL

