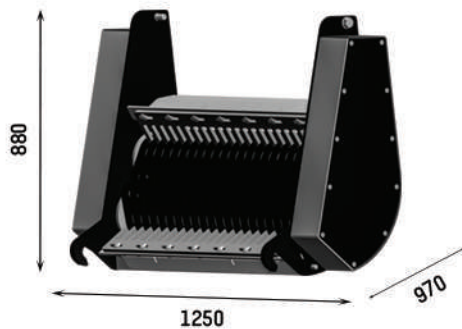


XO 2090 FRAME

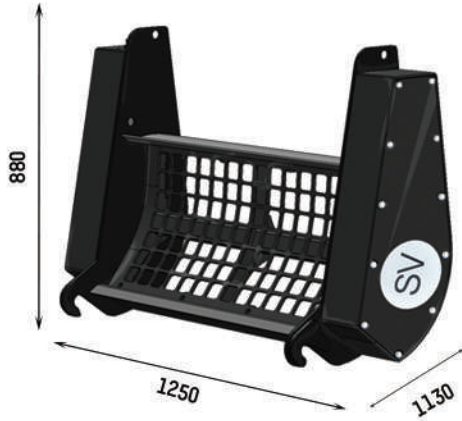
Recommended excavator size 5 tons

	METRIC	IMPERIAL
BUCKET VOLUME	0.35 m ³	0.45 yd ³
WIDTH	1250 mm	49 inch
DEPTH	970 mm	38 inch
HEIGHT	880 mm	35 inch
WEIGHT	215 kg	474 lb



+ SB / SC MODULE

	METRIC	IMPERIAL
MAXIMUM ALLOWED PRESSURE	300 bar	4500 psi
MAXIMUM ALLOWED FLOW	32 - 80 l/min	10 - 20 gal/min
BUCKET VOLUME	0.32 - 0.37 m ³	0.40 - 0.50 yd ³
SCREENING AREA	0.5 m ²	5.4 ft ²
WIDTH	1250 mm	49 inch
DEPTH	970 mm	38 inch
HEIGHT	880 mm	35 inch
WEIGHT	510 kg	1120 lbs



+ SV MODULE

	METRIC	IMPERIAL
MAXIMUM ALLOWED PRESSURE	300 bar	4500 psi
MAXIMUM ALLOWED FLOW	20 - 40 l/min	N/A - 10 gal/min
BUCKET VOLUME	0.32 - 0.37 m ³	0.40 - 0.50 yd ³
SCREENING AREA	0.5 m ²	5.4 ft ²
WIDTH	1250 mm	49 inch
DEPTH	1130 mm	44 inch
HEIGHT	880 mm	35 inch
WEIGHT	385 kg	850 lbs