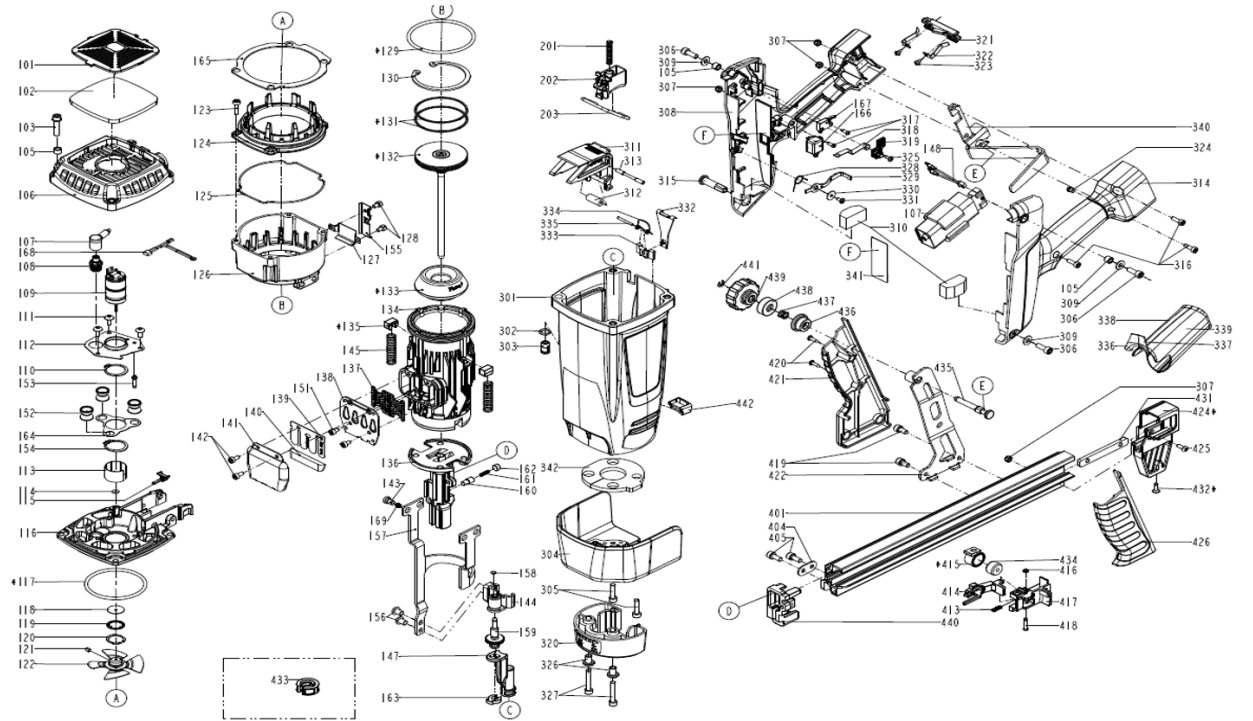


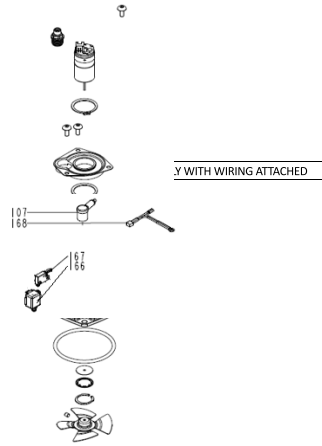
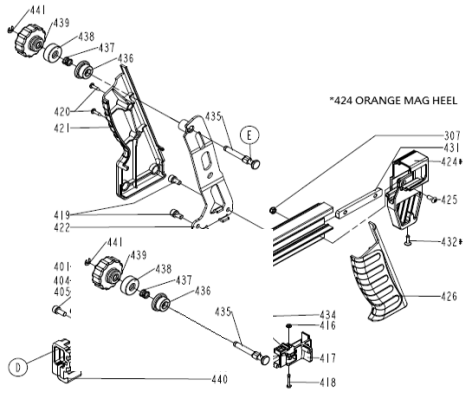
ITEM	PARTS NO	CUSTOM_ITEM	PARTS NAME
307	2040500-02010-0	GCN-NUT004	NAIL DETAINER LOCK NUT
323	2040107-01040-0	SPECIAL ORDER ITEM	TAP BOLT
325	2040108-01020-5	SPECIAL ORDER ITEM	SELF TAPPING BOLT
330	2040201-01040-0	SPECIAL ORDER ITEM	FLAT WASHER
331	2040108-01050-5	SPECIAL ORDER ITEM	SELF TAPPING BOLT
335	2040400-04110-0	M2040400-04110-0	SPRING PIN
420	2040107-01100-0	SPECIAL ORDER ITEM	TAP BOLT
432*	2040107-02111-0	SPECIAL ORDER ITEM	TAP BOLT
441	2040302-23010-0	SPECIAL ORDER ITEM	E - RING
151	2040101-02030-0	SPECIAL ORDER ITEM	HEX.SOC.HD.BOLT
161	12301-1024701-1	SPECIAL ORDER ITEM	PIN
413	11337-0370003-1	SPECIAL ORDER ITEM	SAFETY SPRING
142	2040101-02040-0	SPECIAL ORDER ITEM	HEX.SOC.HD.BOLT
316	2040101-02080-0	SPECIAL ORDER ITEM	HEX.SOC.HD.BOLT
317	2040108-01010-0	SPECIAL ORDER ITEM	SELF TAPPING BOLT
425	2040102-02040-0	GCN-BTN014	MAG COVER BOLT (BUTTON)
437	1133C-0790001-2	SPECIAL ORDER ITEM	STOPPER FINGER SPRING
110	2040301-17010-0	SPECIAL ORDER ITEM	C - RING
158	2040309-00010-0	M2040309-00010-0	SELF-LOCKING EXTERNAL NUTS
201	11319-1154701-1	SPECIAL ORDER ITEM	SPRING
328	11315-1154701-1	M11315-1154701-1	SPRING A
103	2040100-03130-0	SPECIAL ORDER ITEM	BOLT W/FLAT WASHER
120	2040303-35010-0	M2040303-35010-0	IN-CONCENTRIC RING
145	11337-1154701-1	GCN-CPR019	C- SAFETY SPRING (formerly GCN-SPR019)
324	113AP-1150001-1	SPECIAL ORDER ITEM	LED COVER
416	1131D-0460001-1	SPECIAL ORDER ITEM	RETAINER
419	2040100-03110-0	GCN-SCR024	REAR MAGAZINE BOLT
114	11380-1150001-1	M11380-1150001-1	WASHER-MOTOR SHAFT
118	1136X-1150001-1	M1136X-1150001-1	SEAL
128	2040101-02020-2	SPECIAL ORDER ITEM	HEX.SOC.HD.BOLT
153	113CK-1150001-1	SPECIAL ORDER ITEM	POSITIONING SHAFT
305	2040101-03090-6	SPECIAL ORDER ITEM	HEX.SOC.HD.BOLT
154	2040301-25010-0	SPECIAL ORDER ITEM	C - RING
306	2040101-03070-2	GCN-SCR021	HANDLE BOLT
309	2040201-03040-0	GCN-WSH003	MAGAZINE WASHER
341	21768-1270003-1	SPECIAL ORDER ITEM	HANDLE LABEL
405	2040100-03090-2	SPECIAL ORDER ITEM	BOLT ASSY
442	1135G-1274702-1	M1135G-1274702-1	RUBBER PAD
123	2040101-02080-4	SPECIAL ORDER ITEM	HEX.SOC.HD.BOLT
135*	1134W-1154704-1	SPECIAL ORDER ITEM	BUMPER-COMBUSTION CHAMBER
327	2040101-03121-6	M2040101-03121-2	SAFETY COVER BOLT
404	11380-1274705-1	SPECIAL ORDER ITEM	GASKET
115	113A6-1151101-3	GCN-BC0596	FUEL STEM ADAPTER
121	2040104-02010-5	SPECIAL ORDER ITEM	HEX.SOC.HD.SCREW
302	11380-1154702-1	SPECIAL ORDER ITEM	WASHER CAP
152	1134W-1154706-1	SPECIAL ORDER ITEM	FEED BUMPER
334	11315-1154702-1	M11315-1154702-1	SPRING
119	11323-1150003-1	M11323-1150003-1	SEAL PLATE-MOTOR
156	2040102-04100-1	SPECIAL ORDER ITEM	HALF ROUND HD.HEX.BOLT
162	2040104-05030-0	SPECIAL ORDER ITEM	HEX.SOC.HD.SCREW
203	11335-1154702-1	SPECIAL ORDER ITEM	SAFETY
319	11323-1154703-1	SPECIAL ORDER ITEM	BRACKET-MOTOR FAN SWITCH LEVER
418	11324-0684701-1	SPECIAL ORDER ITEM	FIXED PIN
111	2040102-02043-5	SPECIAL ORDER ITEM	HALF ROUND HD.HEX.BOLT
310	1138W-1270001-1	SPECIAL ORDER ITEM	SPACER
105	1136P-1154701-1	GCN-BUH013	HANDLE BOLT BUSHING
143	1138W-1270001-1	SPECIAL ORDER ITEM	HEX.SOC.HD.BOLT
163	1131C-1275501-1	M1131C-1275501-1	ORANGE RETENTION CLIP
102	1137N-1150001-1	GCN-BC0597	AIR FILTER ELEMENT
112	1131J-1154701-1	SPECIAL ORDER ITEM	POSITIONING SHEET
321	1136H-1154701-1	SPECIAL ORDER ITEM	BATTERY NODE BRACKET
438	11381-0370001-1	SPECIAL ORDER ITEM	WASHER
312	11398-1154701-1	SPECIAL ORDER ITEM	BUSH-FUEL ACTUATOR
101	11371-1154702-1	M11371-1154702-1	DEFLECTOR
164	1133X-1150001-1	SPECIAL ORDER ITEM	SPACER
342	113DN-1270003-1	M113DN-1270003-1	DEBRIS SHIELD FILTER
113	11398-1150002-1	SPECIAL ORDER ITEM	SLEEVE MOTOR
303	11398-1150001-1	SPECIAL ORDER ITEM	CAP NUT
313	11325-1154702-1	SPECIAL ORDER ITEM	PIN-FUEL ACTUATOR
155	11370-1150001-1	SPECIAL ORDER ITEM	PUSHING
326	11398-1594701-1	M11398-1594701-1	SAFETY COVER BUSHING
127	11398-1150001-2	SPECIAL ORDER ITEM	WASHER
160	11325-1274701-1	SPECIAL ORDER ITEM	PIN
336	1133P-1154709-2	SPECIAL ORDER ITEM	HANDLE GRIP-RIGHT TOP
337	1133P-1154710-2	SPECIAL ORDER ITEM	HANDLE GRIP-LEFT TOP
311	113A7-1154701-3	GCN-COV006	FUEL DOOR
329	1137G-1154702-1	M1137G-1154701-1	LINK ROD
322	113A8-1150001-1	SPECIAL ORDER ITEM	BATTERY NODE
434	11386-1260001-2	SPECIAL ORDER ITEM	ROLLING ELEMENT
148	113CA-1150801-1	SPECIAL ORDER ITEM	SOURCE
318	113AH-1150001-1	SPECIAL ORDER ITEM	MOTOR FAN SWITCH LEVER
137	1139W-1150001-2	SPECIAL ORDER ITEM	EXHAUST MESH PLATE
165	1133X-1154702-1	SPECIAL ORDER ITEM	SPACER
431	11380-1274701-1	GCN-BRK003	MAGAZINE BRACKET



202	11224-1154701-1	SPECIAL ORDER ITEM	TRIGGER UNIT
435	1131H-1274701-1	SPECIAL ORDER ITEM	FIXING BOLT
333	1134K-1154701-2	M1134K-1154701-2	STOPPER SPRING
338	1133P-1154707-1	M1133P-1154707-1	HANDLE GRIP-RIGHT
168	113DM-1150001-1	SPECIAL ORDER ITEM	MOTOR CABLE
315	11325-1154701-2	SPECIAL ORDER ITEM	HANDLE BOLT
108	1120D-1154701-1	M1120D-1154701-1	SPARKLER
417	1136E-1274702-2	SPECIAL ORDER ITEM	PROTECTING HOOD COVER
332	113AK-1154701-1	M113AK-1154701-1	STOPPER
130	2040300-14010-3	GCN-RETO13	C - RING
320	1137A-1274703-2	M1137A-1274703-2	SAFETY COVER
141	113A3-1150001-2	GCN-BAF001	EXHAUST BAFFLE
117*	2041108-06131-0	GCN-LB1104	O - RING
138	113AO-1150001-1	SPECIAL ORDER ITEM	EXHAUST BAFFLE
415*	11372-1094701-1	GCN-SPR020	FEED SPRING W/ROLLER
339	1133P-1154708-2	SPECIAL ORDER ITEM	HANDLE GRIP-LEFT
106	11369-1154703-1	SPECIAL ORDER ITEM	CAP
140	1139L-1150001-1	GCN-FILO01	EXHAUST FILTER
424	11390-1275501-1	M11390-1275501-1	ORANGE MAG HEEL
131*	11350-1154701-1	M11350-1154701-1	PISTON RING
426	11397-1274709-1	SPECIAL ORDER ITEM	ATTACHMENT PLATE COVER A
122	1120C-1150001-2	M1120C-1150001-2	FAN BLADE
433	11276-1270001-1	GMR-2	MAGNET ASSMBLY
421	11397-1274708-1	SPECIAL ORDER ITEM	ATTACHMENT PLATE COVER B
414	11363-1274705-4	SPECIAL ORDER ITEM	PUSHER
436	11380-1274702-1	SPECIAL ORDER ITEM	GASKET
340	1133D-1274701-1	SPECIAL ORDER ITEM	SPRING RETAINER
439	1136J-1270001-1	SPECIAL ORDER ITEM	HAND UNIT
139	1139X-1150001-2	GCN-VLW01	REED VALVE
133*	11327-1154701-1	GCN-BMP001	BUMPER
129*	2041104-07061-0	GCN-LB1103	O-RING
166	11226-1150001-2	SPECIAL ORDER ITEM	TRIGGER VALVE ASSY
314	1137K-1154702-3	SPECIAL ORDER ITEM	HANDLE B
125	1132M-1150901-1	M1132M-1150901-1	PACKING
159	11249-1274701-1	M11249-1274701-1	POWER ADJUSTMENT KNOB
124	113AE-1150002-2	SPECIAL ORDER ITEM	UPPER COMBUSTION CHAMBER
167	1122C-1154701-1	SPECIAL ORDER ITEM	MICRO SWITCH
422	11275-1274705-1	SPECIAL ORDER ITEM	BRACKET UNIT
308	1137K-1274701-1	SPECIAL ORDER ITEM	HANDLE A
157	11330-1274704-1	M11330-1274704-1	SAFETY C
304	11260-1274705-1	M11260-1274705-1	LONG DEBRIS SHIELD
301	11384-1154701-2	SPECIAL ORDER ITEM	GUN BODY
C	7USST-3127003-1	GCN-NUT003	MAGAZINE THUMB SCREW ASSEMBLY
144	11256-1274705-1	M11256-1274705-1	SAFETY B UNIT
147	11331-1274709-1	M11331-1274709-1	SAFETY A
F	113AN-1154707-1	GCN-ADP012	US ADAPTER
116	1139U-1150001-3	SPECIAL ORDER ITEM	END CAP-COMBUSTION CHAMBER
126	1139V-1150001-2	SPECIAL ORDER ITEM	COMBUSTION CHAMBER
440	1136H-1274701-3	SPECIAL ORDER ITEM	FIXED SUPPORT
H	113AM-1150003-2	GCN-CHG007	US CHARGER
147	11331-1270701-1	MEP-NOS25-2	ORANGE NOSEPIECE - 11331-1270701-1
401	11389-1274707-2	SPECIAL ORDER ITEM	MAGAZINE A
G	1120F-1154709-1	GCN-PPA020	US BATTERY
134	11320-1270001-2	M11320-1270001-1	CYLINDER
107	1120G-1150006-4	SPECIAL ORDER ITEM	PCB ASSEMBLY
136	11382-1274705-4	M11382-1274705-2	NOSE PIECE
132*	11204-1270002-2	GCN-DSA004	DRIVER UNIT
D	1120G-1150001-5	M1120G-1150001-3	PCB ASSEMBLY WITH WIRING ATTACHED
E	11240-1274725-1	MEP-MAG1	GCN-MEP MAGAZINE ASSEMBLED
A	7USST-3127004-1	MEP-MAG1KT	GCN-MEP MAG WITH ORANGE NOSE AND CLIP
109	1120N-1150007-1	M1120N-1150007-1	MOTOR UNIT
B	7USSE-3115002-1	GCN-BRK001	FAN-TOP FLANGE ASSEMBLY COMPLETE

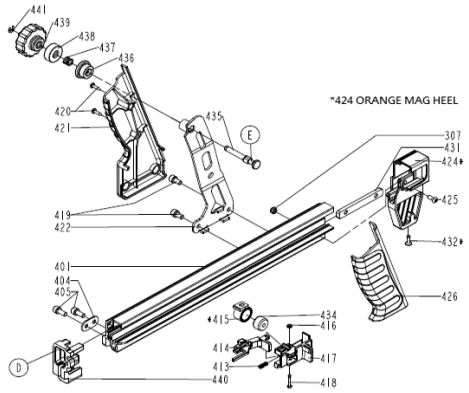
A	7USST-3127004-1	MEP-MAG1KT	GCN-MEP MAG WITH ORANGE NOSE AND CLIP	GCN-BRK001	FAN-TOP FLANGE ASSEMBLY COMPLETE
---	-----------------	------------	---------------------------------------	------------	----------------------------------

C 7U55



E 1124

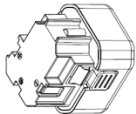
147 *147 ORANGE NOSEPIECE
*163 ORANGE RETENTION CLIP



F 113AN-1154707-1 GCN-ADP012 US ADAPTER



G 1120F-1154709-1 GCN-PPA020 US BATTERY



H 113AM-1150003-2 GCN-CHG007 US CHARGER

