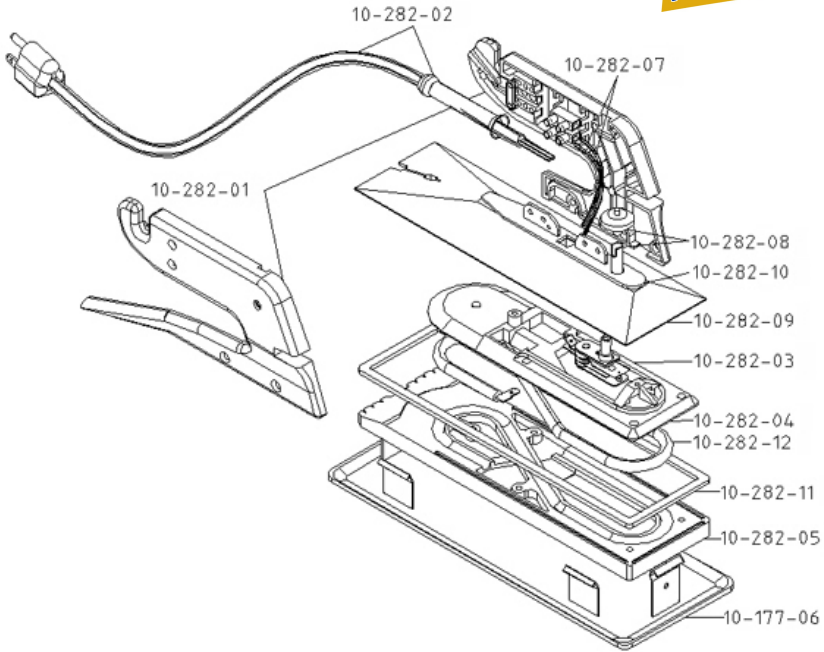


ROBERTS 10-282(G) DELUXE SEAMING IRON



REPLACEMENT PARTS LIST

Part	Description
10-282-12	Heating Element
10-282-11	Gasket (between Heat Shield and top of Sole Plate)
10-282-10	Gasket (top of Heat Shield for Handle Mount)
10-282-09	Heat Shield w/ (2) Screws and (1) Washer
10-282-08	Calibration Knob
10-282-07	Internal Wire Set (2 pieces)
10-282-06	Bottom Sole Plate, Teflon, Grooved
10-282-04	Top Sole Plate w/ (5) Screws
10-282-03	Thermostat w/ Extension Post for Control Knob
10-282-02	Cord Set Includes Cord Relief Spring, Wire Connection Clip and (2) Screws
10-282-01	Handle Set w/ (7) Screws
10-177-06	Iron Holder

SPECIAL PARTS

Part	Description
10-282-05	Bottom Sole Plate, Teflon, Flat
10-282-13	Fused Wire Assembly
10-282-14	Screws For Handle (50) Button Head Screw 4x20 Flat Head Screw 5/32"x10
10-282-15	Screws For Sole Plate & Heat Shield Button Head Screw (50) 4x10