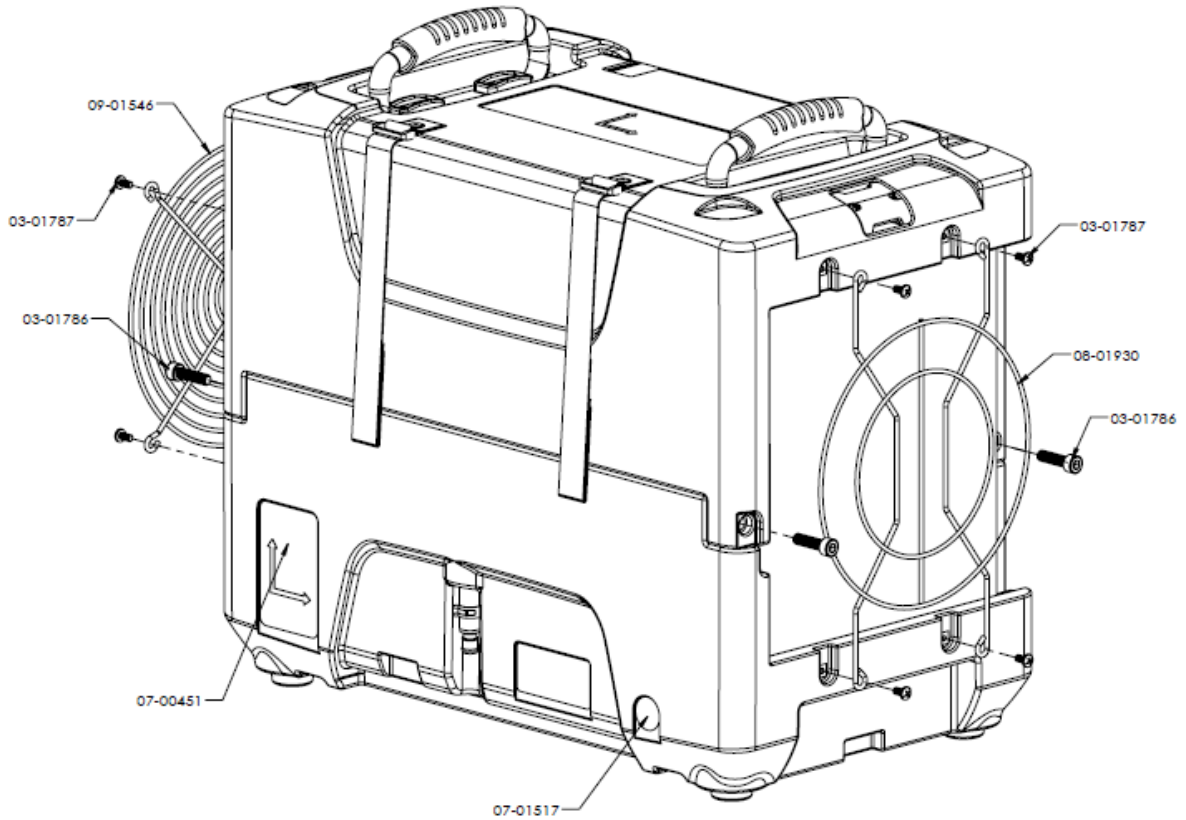


F413 REVOLUTION LGR 115/230V

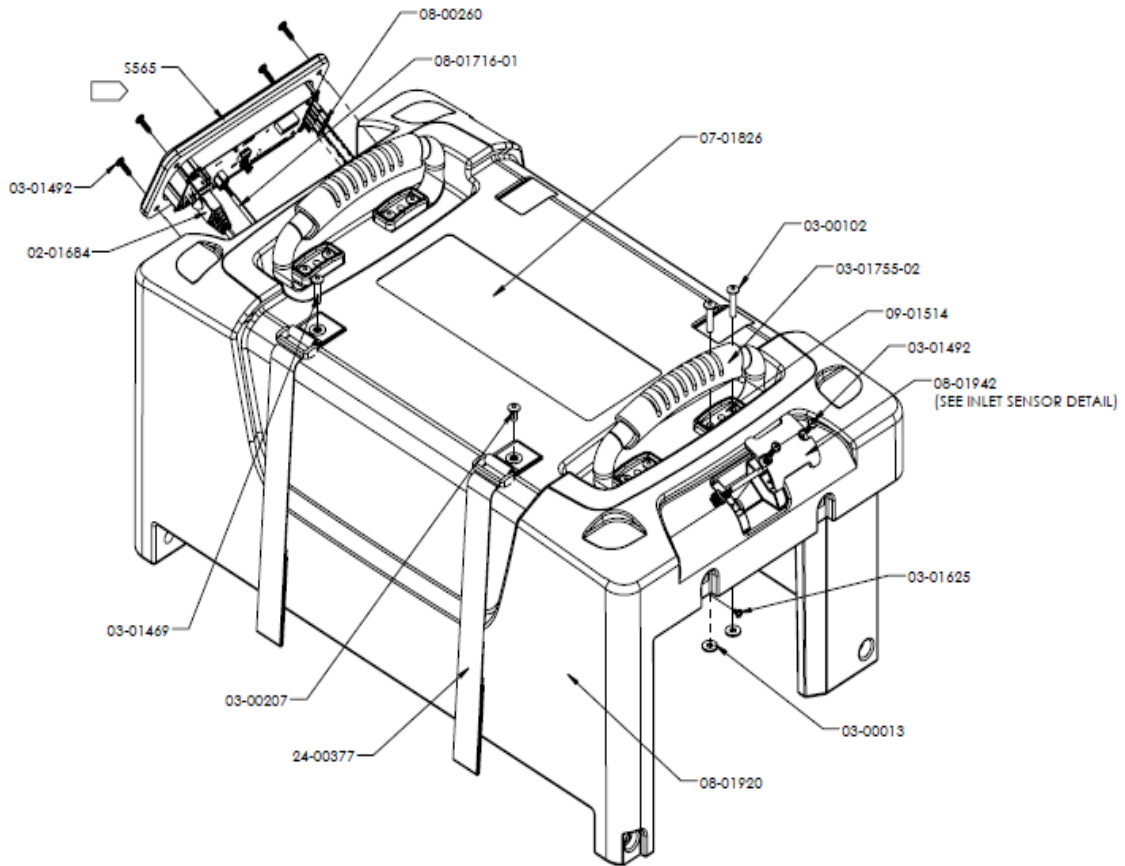
PARTS LIST



F413 - OUTER ASSEMBLY VIEW

PART NO.	QTY	DESCRIPTION
03-01786	4	SCREW - M8 X 30MM SHCS ZP
03-01787	8	SCREW - M5 X 10MM PHP ZP
07-00451	1	LABEL - WARNING MIG ANSI EVOLUTION
07-01517	1	LABEL - AHAM DEHUS
08-01930	1	GRILL - FILTER INLET PC WR BLK REVOLUTION
09-01546	1	GRILL - OUTLET PC GL BLK REVOLUTION

F413 - TOP ASSEMBLY VIEW

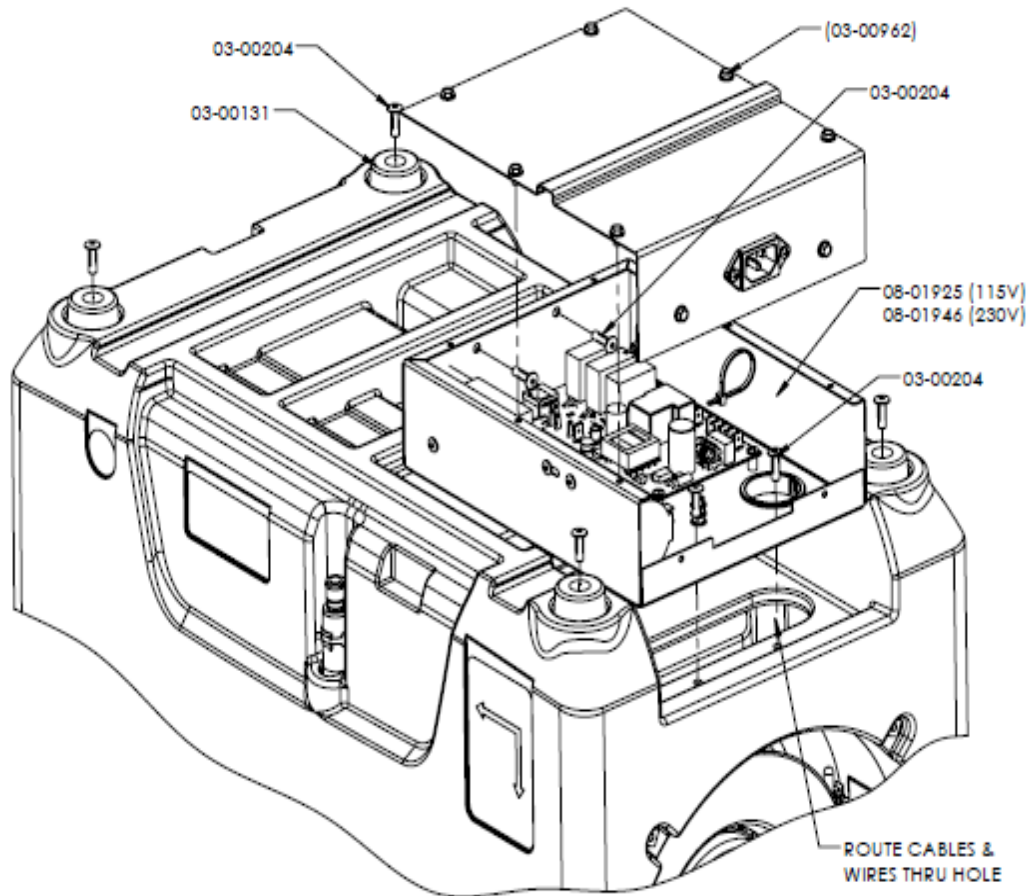


(CONTINUES ON NEXT PAGE)

TOP ASSEMBLY PARTS LIST

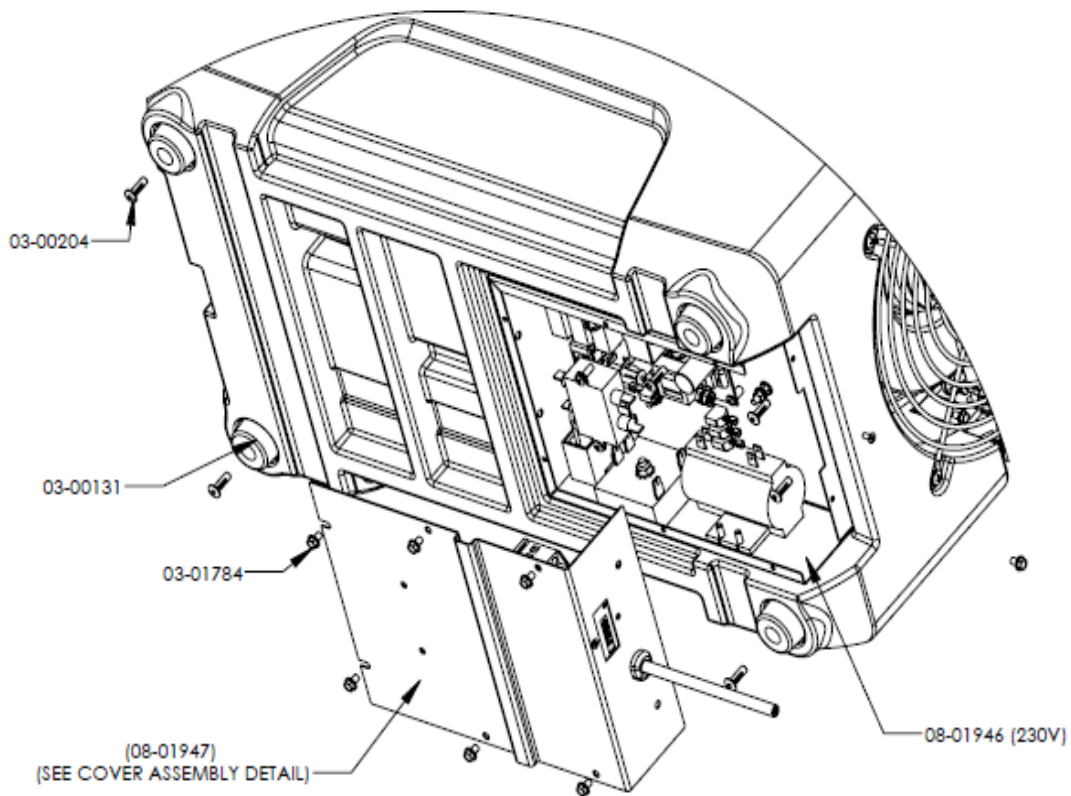
PART NO.	QTY	DESCRIPTION
02-01684	1	CABLE ASSY - BLUE PATCH CAT 5E 3FT
03-00013	2	WASHER - 3/16 RIVET .19 ID X .47 OD X .05 ZP
03-00102	8	RIVET - 3/16 X 5/8 AL/AL BLK ANOD
03-00207	1	RIVET - 3/16 X 3/8 TRI FOLD AL/AL
03-01469	1	RIVET - 3/16 X 3/4 TRI FOLD AL/AL
03-01492	6	SCREW - #6 X 1/2 AB PHP ZP
03-01625	1	SCREW - #4 X 1/4 AB PHP ZP
03-01755-02i	2	HANDLE - GRAB WITH LIFTING STRAP
07-01826	1	LABEL - PRODUCT REVOLUTION
08-00260	1	SENSOR CABLE ASSY - MICRO CONTROLLER TEMP DEFROST DEHUS
08-01716-01	1	SENSOR ASSY - TEMP/RH CABLED
08-01920	1	HOUSING - TOP POLYETHYLENE FISHER BLU REVOLUTION
08-01942	1	PLATE - INLET SENSOR COVER ABS BLK
S565	1	CONTROL PANEL ASSY - MEMBRANE TOUCH PAD CONTROL 115/230V DEHUS
09-01514	4	CLIP - HANDLE MTG NYLON BLK
13-01897	2	STRAP ASSY – POWER CORD WITH G-HOOK

F413 - 115V BOTTOM ASSEMBLY VIEW



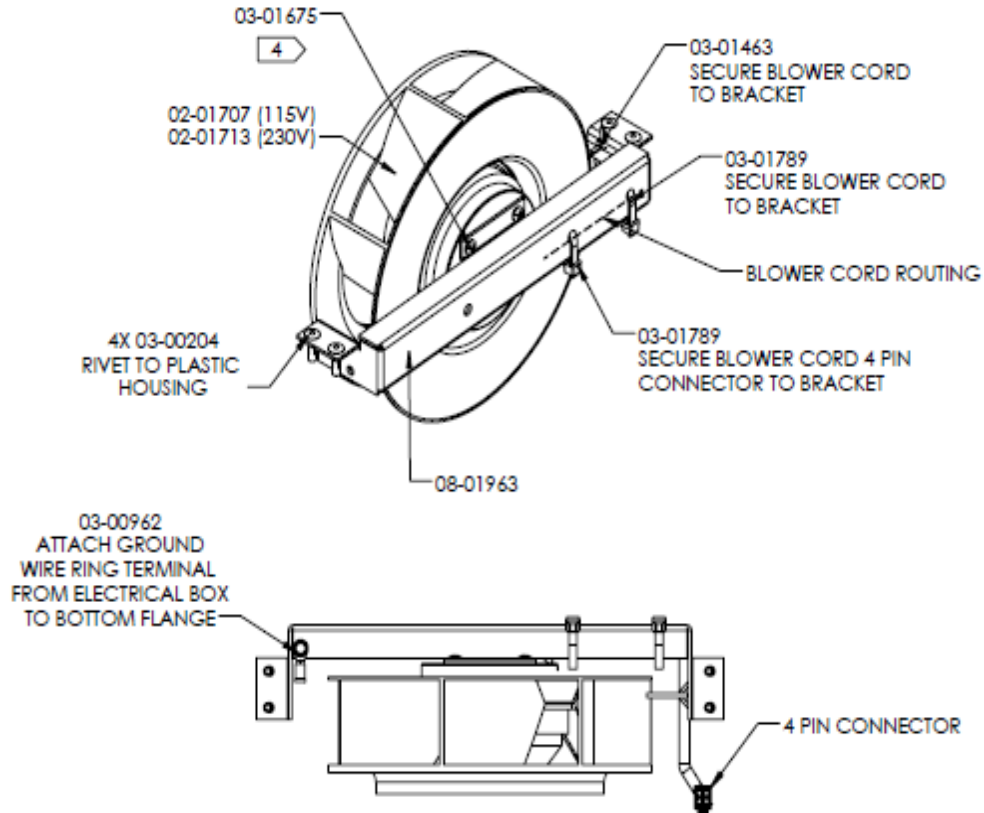
PART NO.	QTY	DESCRIPTION
03-00131	4	FOOT - ROUND 3/16 ID X 1.25 OD X 5/8 RUBBER BLK
03-00204	8	RIVET - 3/16 X 5/8 TRI FOLD AL/AL
03-00962	8	SCREW - #8-32 X 1/4 TC CLASS 2 HWH ZP
08-01925S	1	ELECTRICAL BOX ASSY - HIGH VOLTAGE 115V REVOLUTION
08-01946	1	ELECTRICAL BOX ASSY - HIGH VOLTAGE 230V REVOLUTION

F413 – 230V BOTTOM ASSEMBLY VIEW



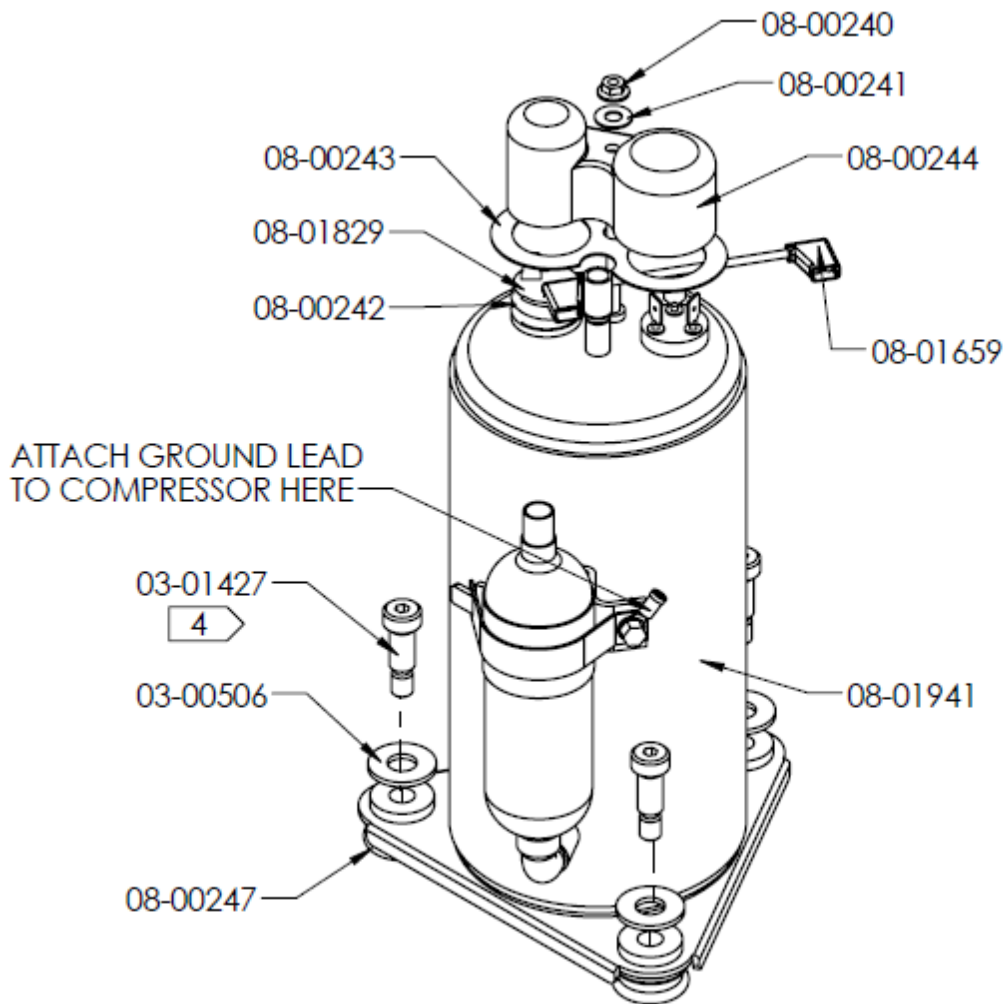
PART NO.	QTY	DESCRIPTION
03-00131	4	FOOT – ROUND 3/16 ID X 1.25 OD X 5/8 RUBBER BLK
03-00204	8	RIVET – 3/16 X 5/8 TRI FOLD AL/AL
03-01784	8	SCREW - #8-32 X 1/4 TC CLASS 12 HWH SS
08-01946	1	ELECTRICAL BOX ASSY - HIGH VOLTAGE 230V REVOLUTION
08-01947	1	COVER - ELECTRICAL BOX SS 230V REVOLUTION

F413 – 115/230V BLOWER ASSEMBLY VIEW



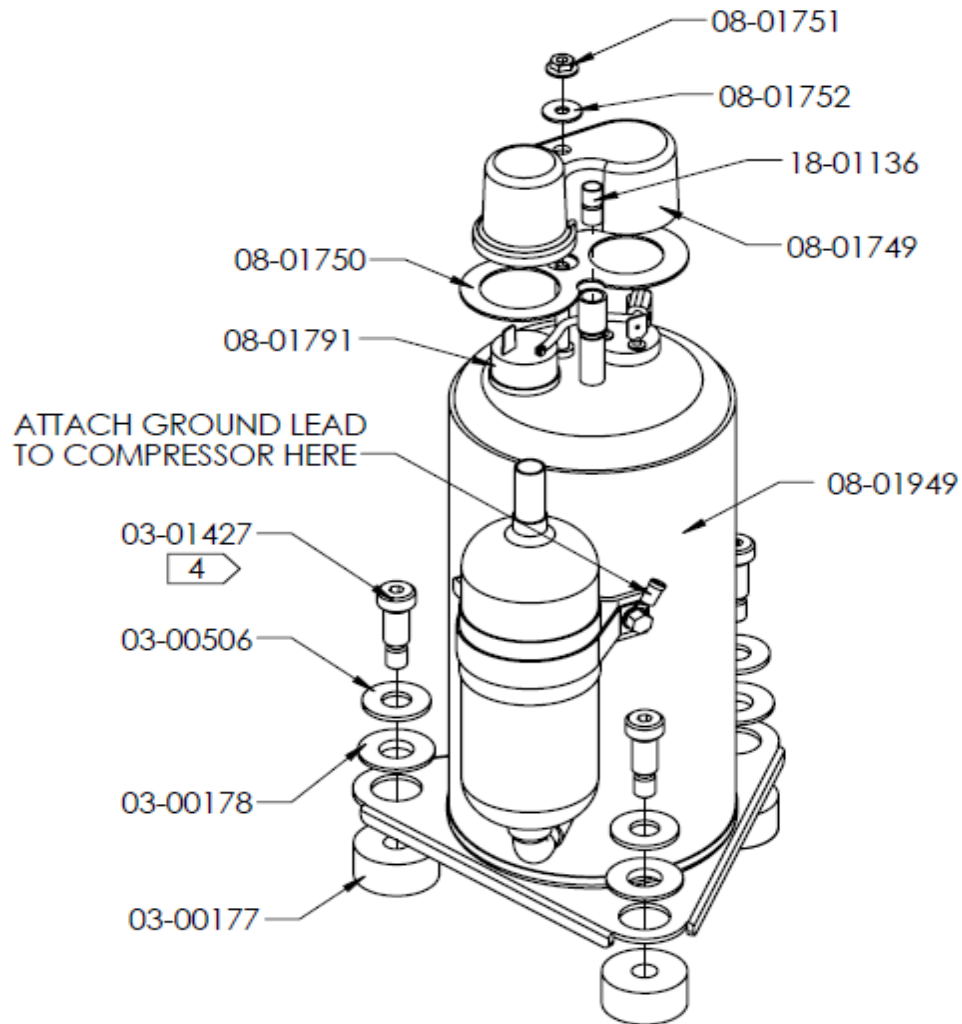
PART NO.	QTY	DESCRIPTION
02-01707	1	BLOWER ASSY - MOTORIZED IMPELLER 115V 65W 2595 RPM REVOLUTION
02-01713	1	BLOWER – ASSY MOTORIZED IMPELLER 230V 79W 2630RPM REVOLUTION
03-00204	4	RIVET – 3/16 X 5/8 TRI FOLD AL/AL
03-00962	1	SCREW - #8-32 X 1/4 TC CLASS 2 HWH ZP
03-01463	1	CABLE TIE – 6 NYLON
03-01675	4	SCREW – M4 X 8MM PHP ZP
03-01789	2	CABLE TIE – 8.0 X .18 WIDE NYLON BLK
08-01963	1	BRACKET - MOTORIZED IMPELLER SHORT GALV STL REVOLUTION

F413 - 115V COMPRESSOR ASSEMBLY VIEW



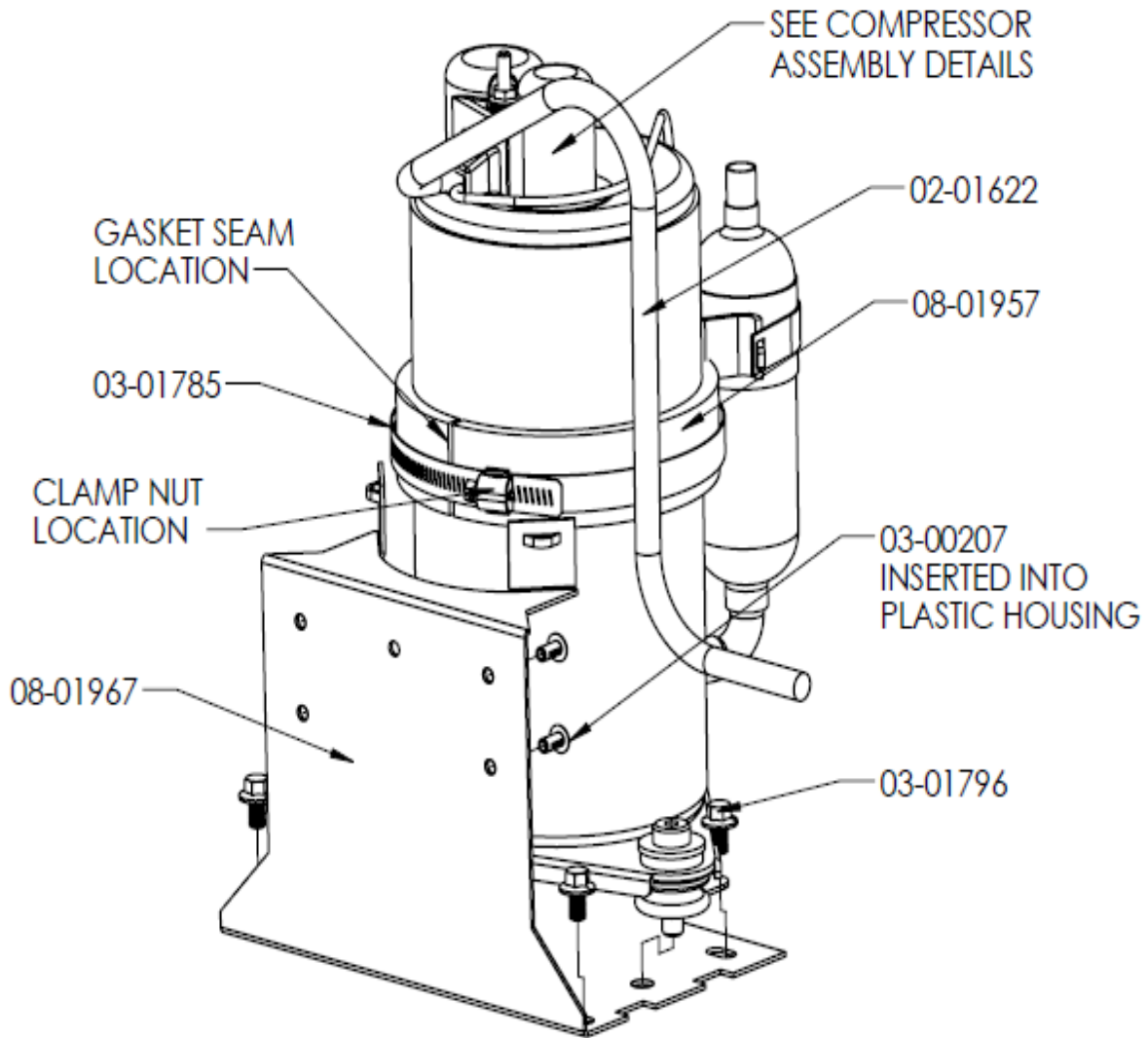
PART NO.	QTY	DESCRIPTION
03-00506	3	WASHER - 3/8 USS .43 ID X 1.0 OD X .08 ZP
03-01427	3	BOLT - SHOULDER 5/16-18 X 3/8 X 3/4
08-00240	1	NUT - TERMINAL COVER HH
08-00241	1	WASHER - GASKET 7/32 ID X 9/16 OD RBR
08-00242	1	SPRING - 1-1/16 OD X 1/2 H
08-00243	1	GASKET - TERMINAL CVR 2-5/16 X 3 - 9/16 X .036 RBR
08-00244	1	COVER - TERMINAL 3-1/4 X 2-1/8 X 1-5/8 PLASTIC
08-00247	3	GROMMET - .38 ID X 1.13 OD RUBBER BLACK
08-01659	1	WIRE LEAD - COMPRESSOR OVERLOAD
08-01829	1	OVERLOAD - COMPRESSOR
08-01941	1	COMPRESSOR - ROTARY 115V 6926 BTU R410A

F413 – 230V COMPRESSOR ASSEMBLY VIEW



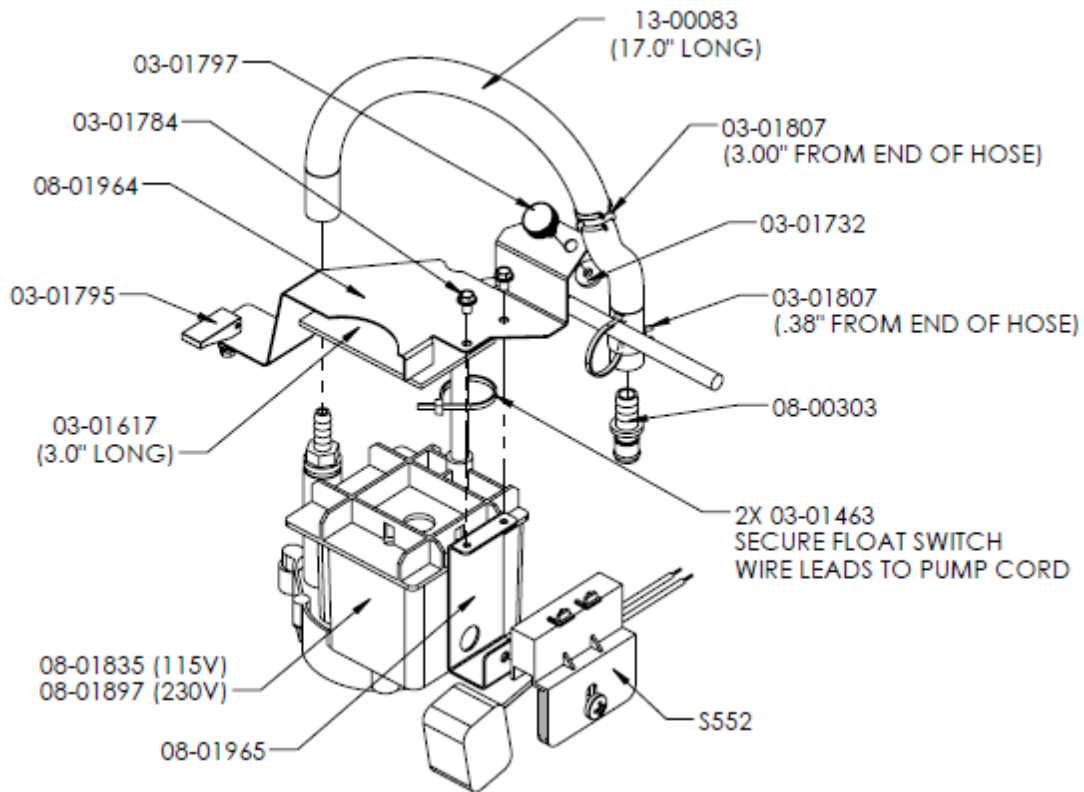
PART NO.	QTY	DESCRIPTION
03-00177	3	GROMMET - .38 ID X 1.25 OD X .63 RUBBER BLK
03-00178	3	WASHER – SHOULDER .51 ID X 1.13 OD X .09 NYLON
03-00506	3	WASHER - .375 USS .438 ID X 1.00 OD X .083 THK ZP
03-01427	3	BOLT SHOULDER 5/16 -18 X 3/8 X 3/4
08-01749	1	COVER – COMPRESSOR TERMINAL LG 8600-R410A
08-01750	1	GASKET – COMPRESSOR TERMINAL COVER 115V LG 8600-R410A
08-01751	1	NUT – COMPRESSOR TERMINAL COVER 115V 8600-R410A
08-01752	1	WASHER – COMPRESSOR TERMINAL COVER 115V LG 8600-R410A
08-01791	1	OVERLOAD – COMPRESSOR 230V LG 6600-R410A
08-01949	1	COMPRESSOR - ROTARY 230V 7050 BTU R410A
18-01136	1	FITTING – COUPLING 1/4 COPPER AC-R

F413 – 115/230V COMPRESSOR MOUNTING BASE VIEW



PART NO.	QTY	DESCRIPTION
02-01622i	1	CORD SET – COMPRESSOR
03-00207	4	RIVET – 3/16 X 3/8 TRI FOLD AL/AL
03-01785	1	CLAMP – HOSE 5 IN DIA X 1/2 BAND SAE 72 WORM DRIVE SS
03-01796	4	SCREW – M6 X 1.0 X 10MM SER HWH SS
08-01957	1	GASKET – COMPRESSOR BAND CLAMP REVOLUTION
08-01967	1	BASE – COMPRESSOR MTG SS REVOLUTION LGR

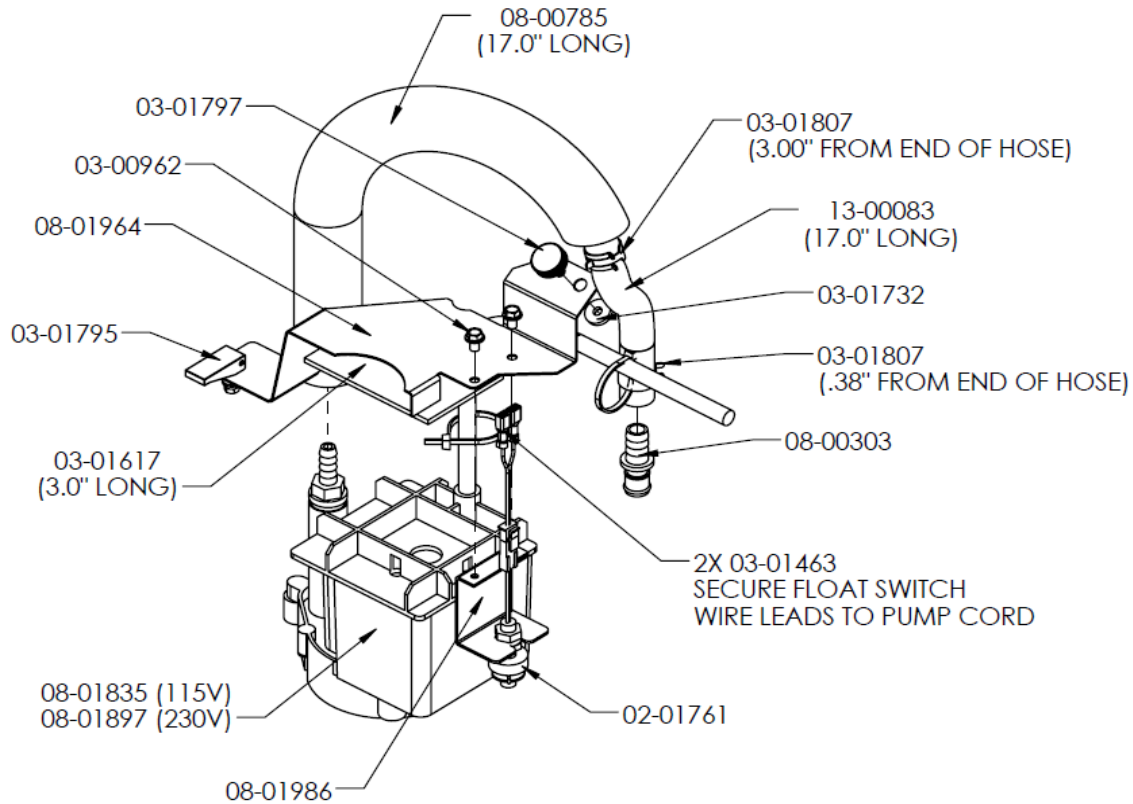
F413 – 115/230V PUMP ASSEMBLY VIEW



(UP TO MANUFACTURERS DATE 10-08-2014)

PART NO.	QTY	DESCRIPTION
S552	1	FLOAT SWITCH RETORFIT KIT F413/F515
03-01463	2	CABLE TIE – 6 NYLON
03-01617	1	GASKET - 2.00 X 3.00 X .125 EPDM PSA
03-01732	1	WASHER - .17 ID X .50 OD X .09 NEOPR RUBBER
03-01784	2	SCREW - #8-32 X 1/4 TC CLASS 2 HWH SS
03-01795	1	LATCH – SWELL ACTION NYLON BLK
03-01797	1	SCREW – THUMB M5 X 0.8 X 10MM KNURLED 16MM DIA BLK
03-01807	2	CLAMP - HOSE 5/8 DIA SPRING STL ZP
08-00303	1	FITTING – QUICK DISCONNECT INSERT 3/8 BARB
08-01835	1	PUMP - SUBMERSIBLE 115V 1.3 GPM 4FT CORD
08-01897	1	PUMP – SUBMERSIBLE 230V 1.3 GPM 4FT CORD
08-01964	1	BRACKET – PUMP HOLD DOWN SS REVOLUTION
08-01965	1	BRACKET – MOUNTING OVERFLOW SWITCH REVOLUTION
13-00083	1	TUBING – 3/8 ID X 5/8 OD BRAIDED PVC

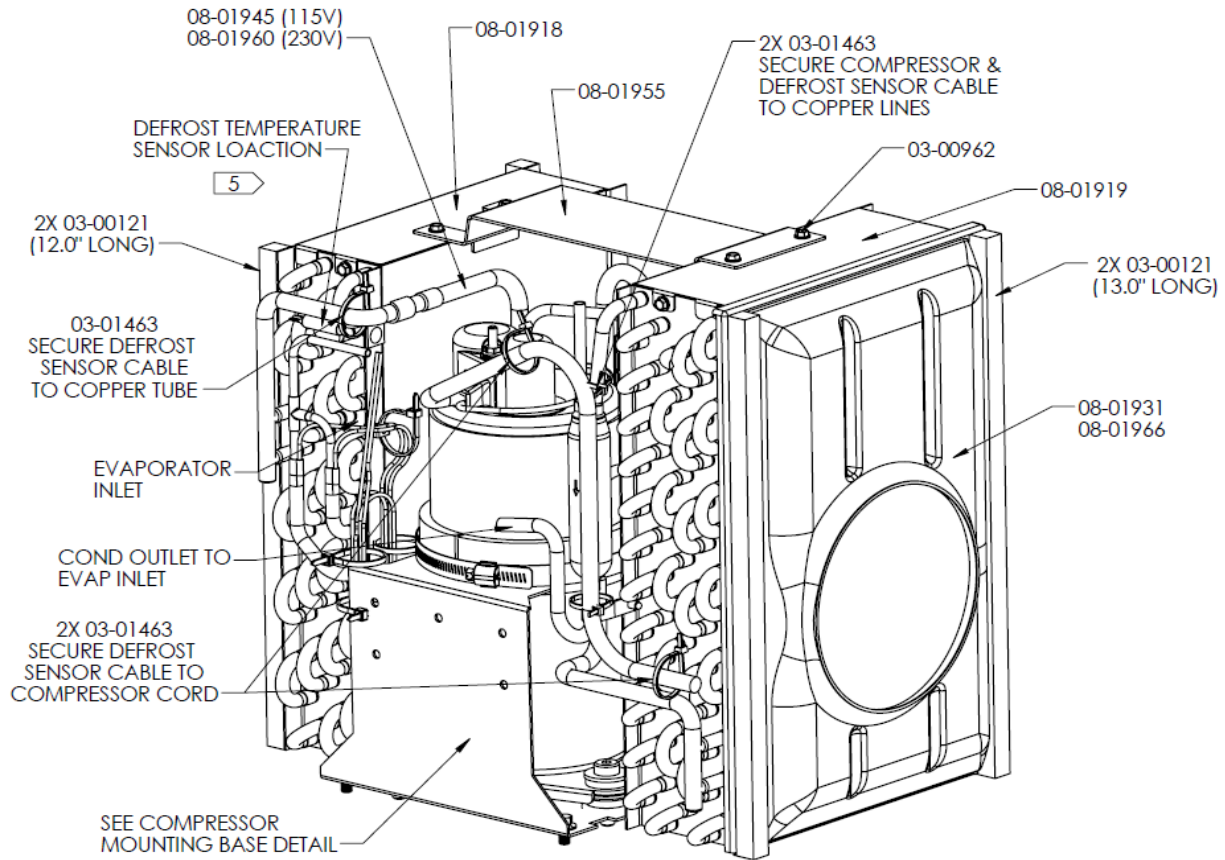
413 – 115/230V PUMP ASSEMBLY VIEW



(FROM MANUFACTURERS DATE 10-09-2014)

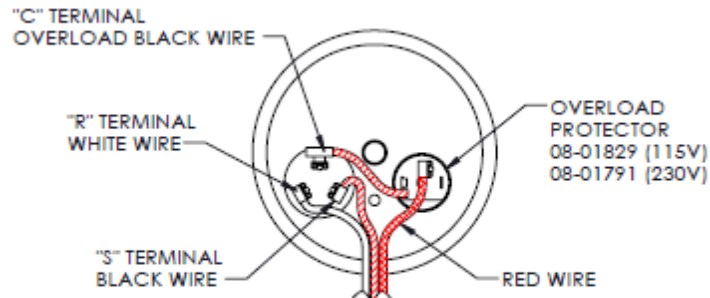
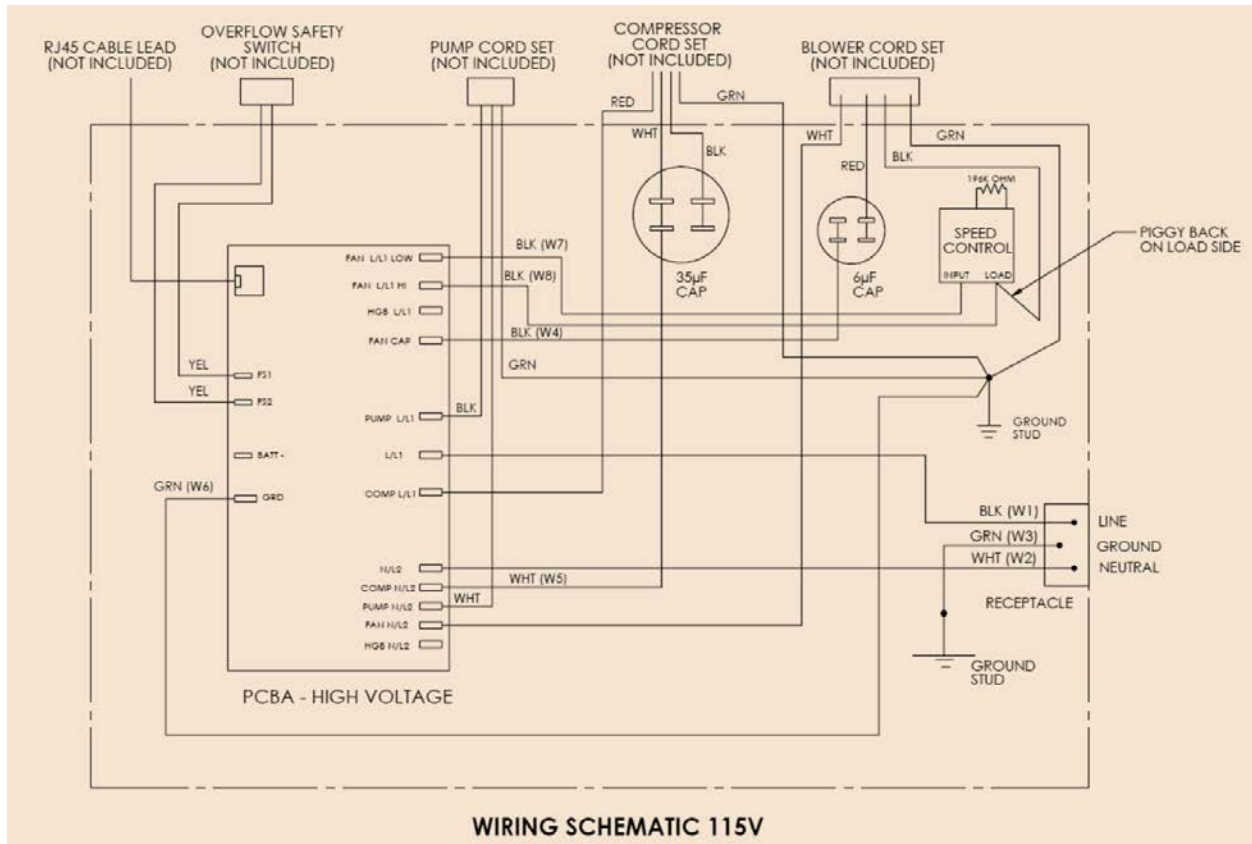
PART NO.	QTY	DESCRIPTION
02-01761	1	SWITCH - SPLIT MAGNETIC FLOAT
03-00962	2	SCREW - #8-32 X 1/4 TC CLASS 2 HWH ZP
03-01463	2	CABLE TIE - 6 NYLON
03-01617	1	GASKET - 2.00 X 3.00 X .125 EPDM PSA
03-01732	1	WASHER - .17 ID X .50 OD X .09 NEOPR RUBBER
03-01795	1	LATCH - SWELL ACTION NYLON BLK
03-01797	1	SCREW - THUMB M5 X 0.8 X 10MM SS KNURLED 16MM DIA BLK
03-01807	2	CLAMP - HOSE 5/8 DIA SPRING STL ZP
08-00303	1	FITTING - QUICK DISCONNECT INSERT 3/8 BARB
08-00785	1	INSULATION - PIPE .375 ID X .375 WALL VINYL NITRILE 17" LONG
08-01964	1	BRACKET - PUMP HOLD DOWN SS REVOLUTION
08-01986	1	BRACKET - MOUNTING PUMP & OVERFLOW SWITCH REVOLUTION LGR
08-01835	1	PUMP - SUBMERSIBLE 115V 1.3 GPM 4FT CORD
08-01897	1	PUMP - SUBMERSIBLE 230V 1.3 GPM 4FT CORD
13-00083	1	TUBING - 3/8 ID X 5/8 OD BRAIDED PVC 17" LONG

F413 – 115/230V EVAPORATOR AND CONDENSER VIEW



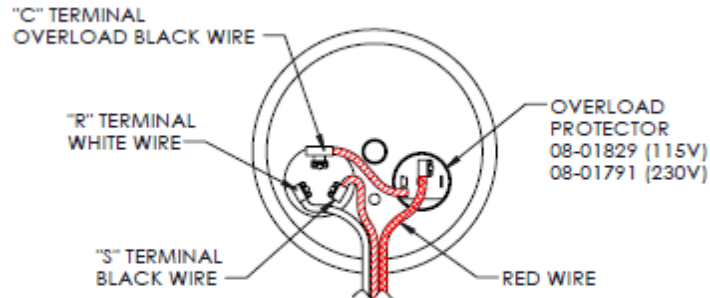
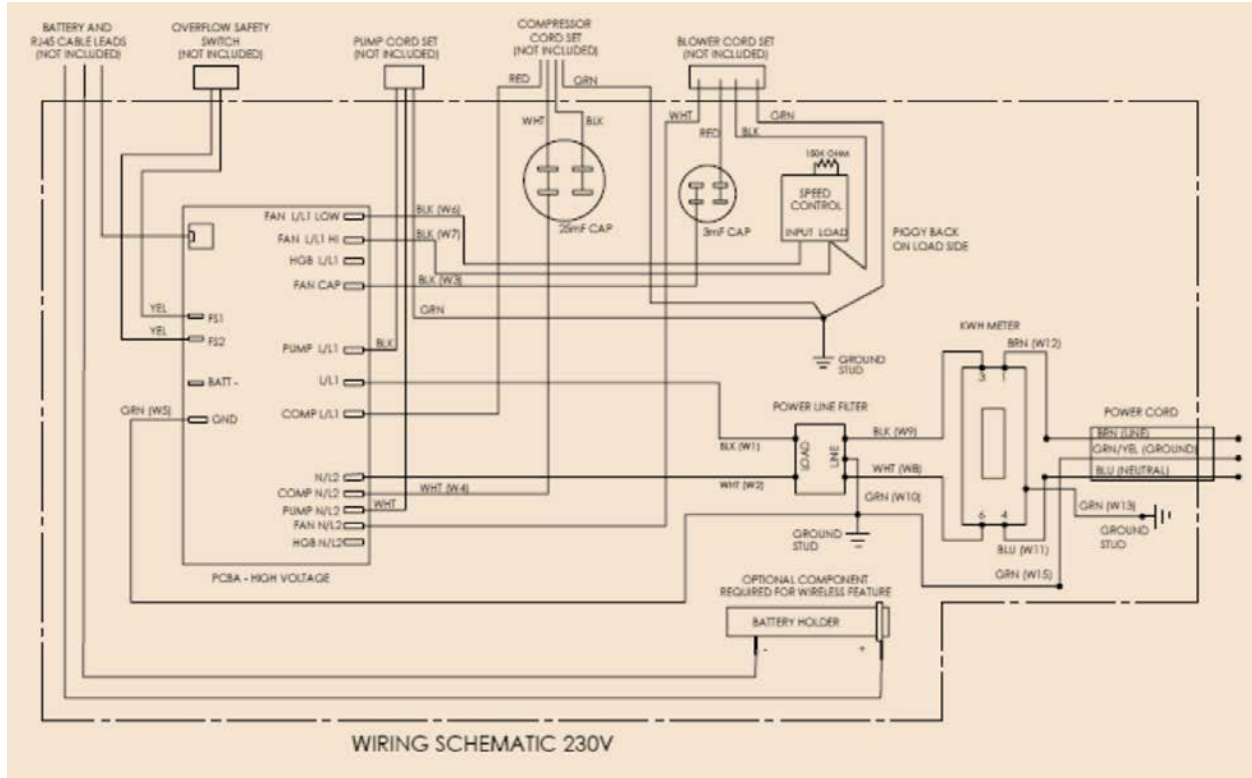
PART NO.	QTY	DESCRIPTION
03-00121	2	GASKET - 1/2 X 1/2 POLYURETHANE PSA 12" LONG
03-00121	2	GASKET - 1/2 X 1/2 POLYURETHANE PSA 13" LONG
03-00962	4	SCREW - #8-32 X 1/4 TC CLASS 2 HWH ZP
03-01463	5	CABLE TIE - 6 NYLON
08-01918	1	COIL ASSY - EVAPORATOR 410A REVOLUTION
08-01919	1	COIL ASSY - CONDENSER 410A REVOLUTION
08-01931	1	SHROUD - IMPELLER ABS BLK REVOLUTION
08-01945	1	REFRIGERATION LINES - 115V REVOLUTION
08-01955	1	BRACKET - COILS GALV STL REVOLUTION
08-01960	1	REFRIGERATION LINES - 230V REVOLUTION
08-01966	1	SHROUD - IMPELLER ABS ROHS BLK REVOLUTION

F413 - 115V WIRING SCHEMATIC

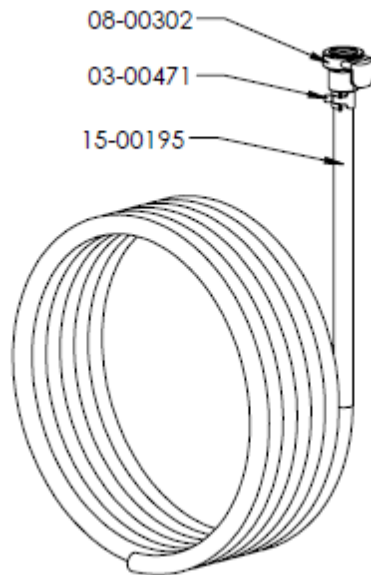
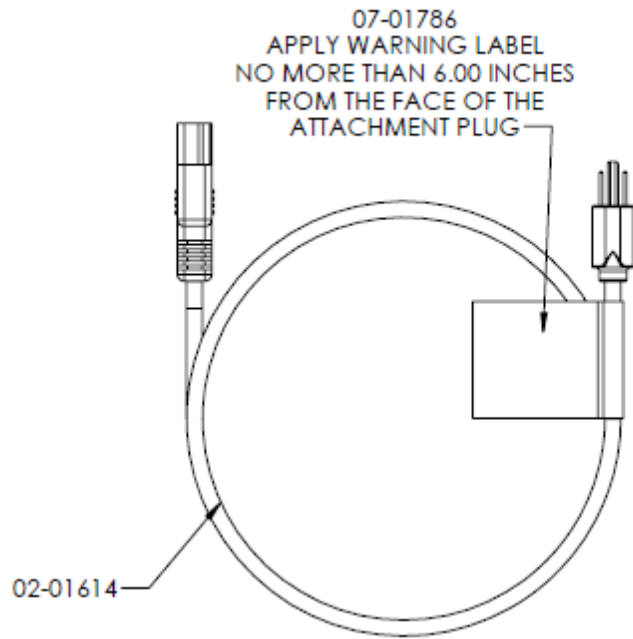


COMPRESSOR WIRING DETAIL

F413 - 230V WIRING SCHEMATIC

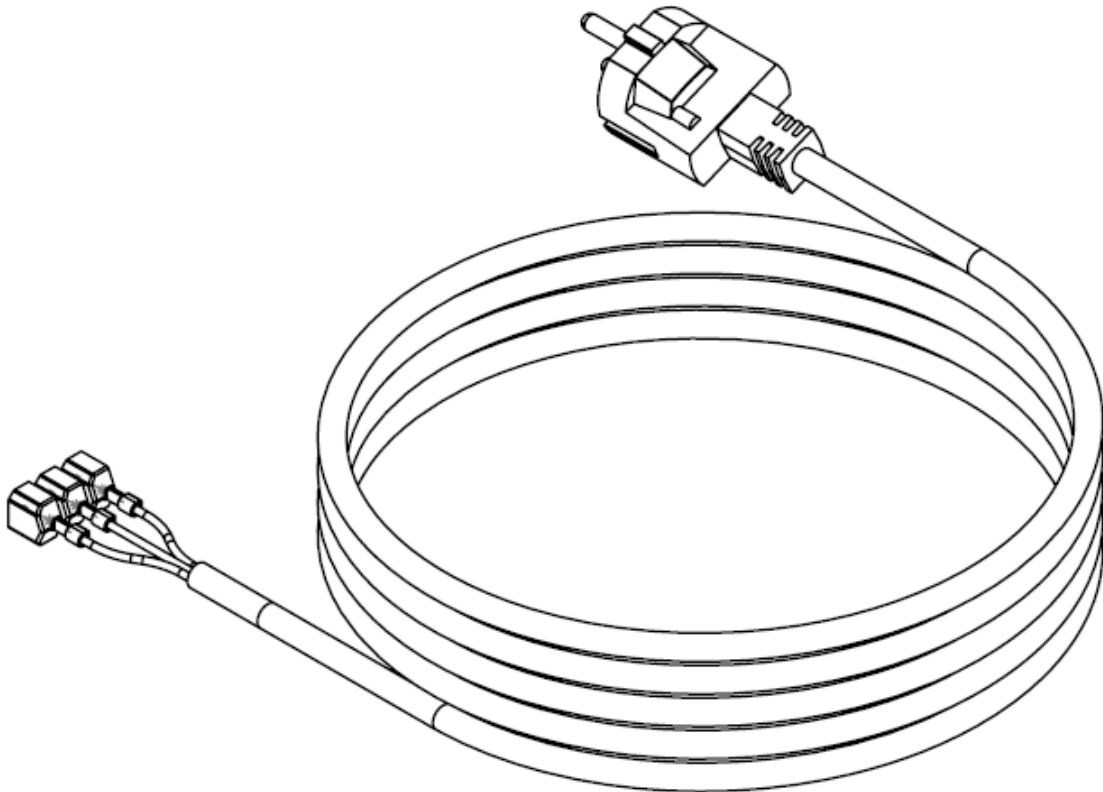


F413 - 115V POWER CORD & (HOSE 115V & 230V)



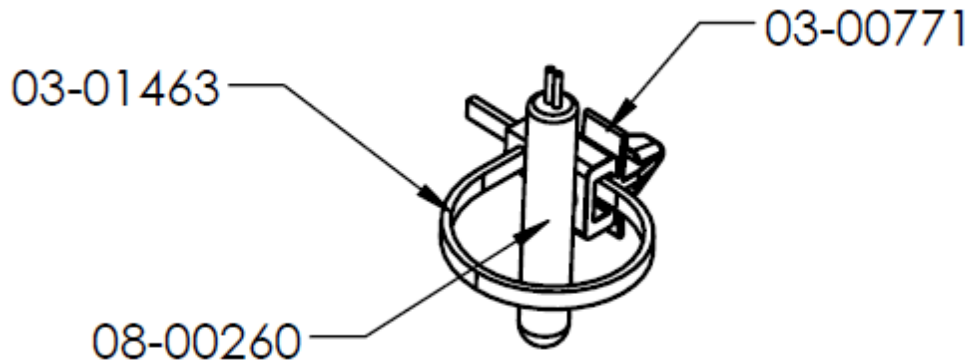
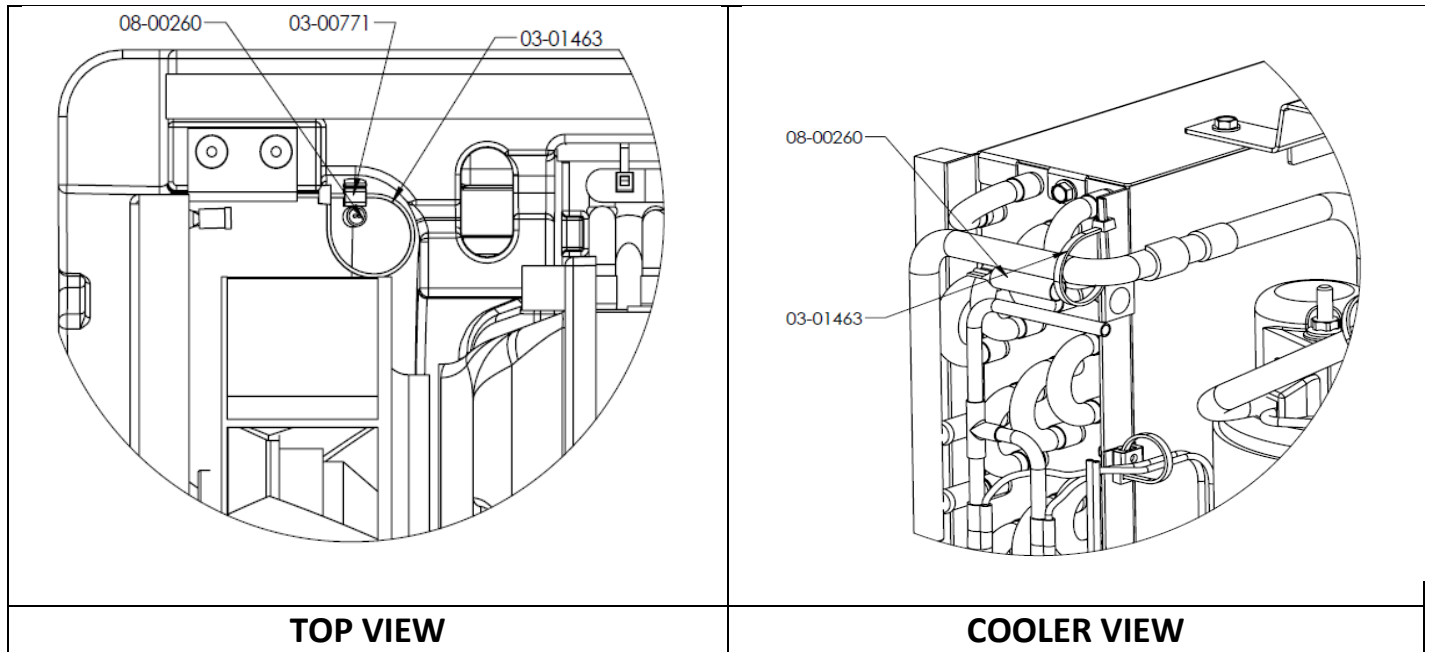
PART NO.	QTY	DESCRIPTION
02-01614	1	POWER CORD ASSY - 14/3 SJT NEMA 5-15P/IEC C13 25FT
07-01786	1	LABEL - WARNING POWER CORD DEHUS
15-00195	40FT	TUBE – 1/4 ID X 3/8 OD X 40FT (ONLY NEED ONE PER UNIT)

F413 – 230V POWER CABLE VIEW



PART NO.	QTY	DESCRIPTION
02-01680	1	POWER CORD ASSY – 3 X 1.0MM HO7RNF CEE77 25FT

F413 – 115/230V OUTLET SENSOR VIEWS



PART NO.	QTY	DESCRIPTION
03-00771	2	PUSH MOUNT – NYLON
03-01463	2	CABLE TIE – 6 NYLON
08-00260	2	SENSOR CABLE ASSY – MICRO CONTROLLER TEMP DEFROST DEUS