

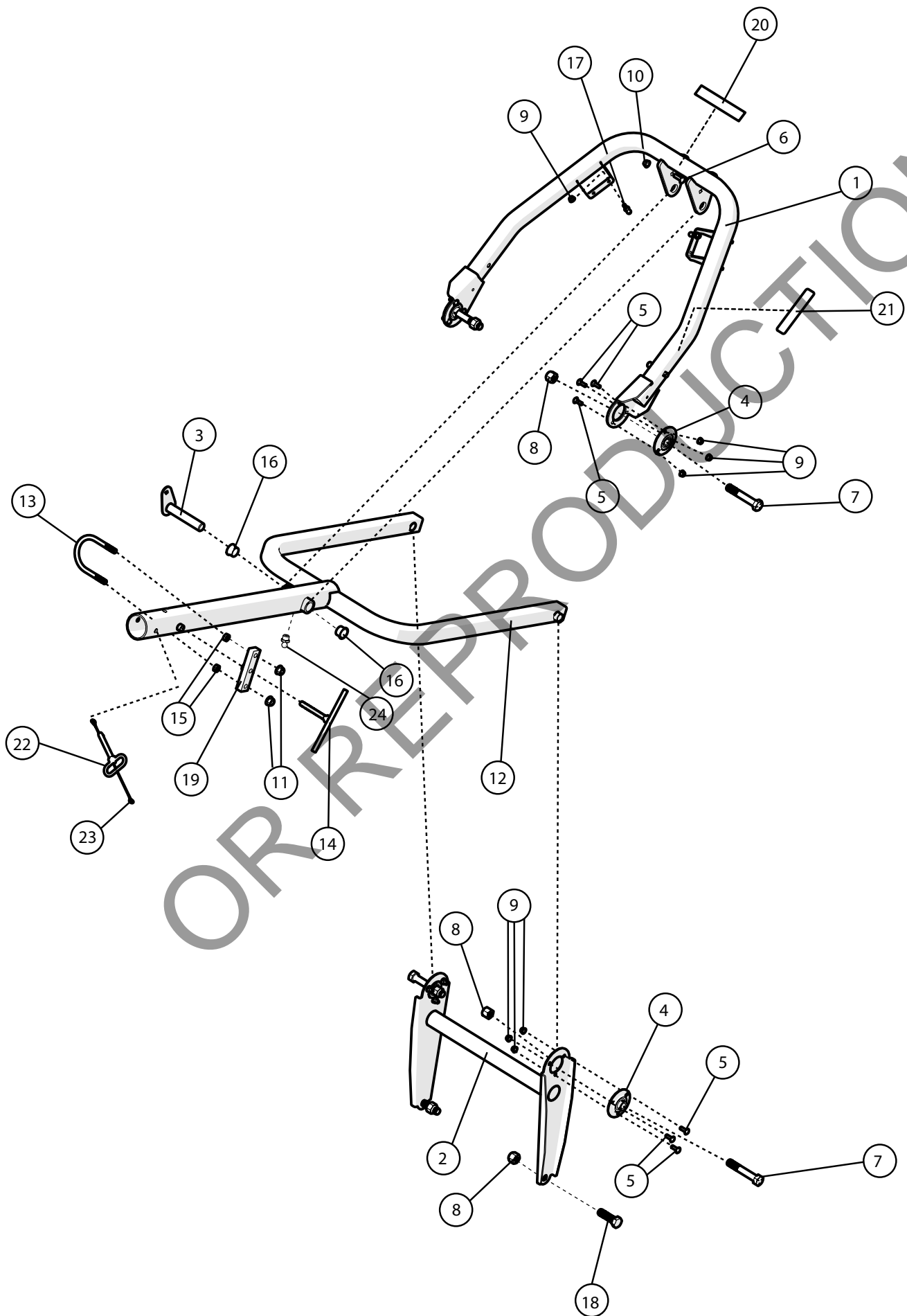


AGR1300H Illustrated Parts Book

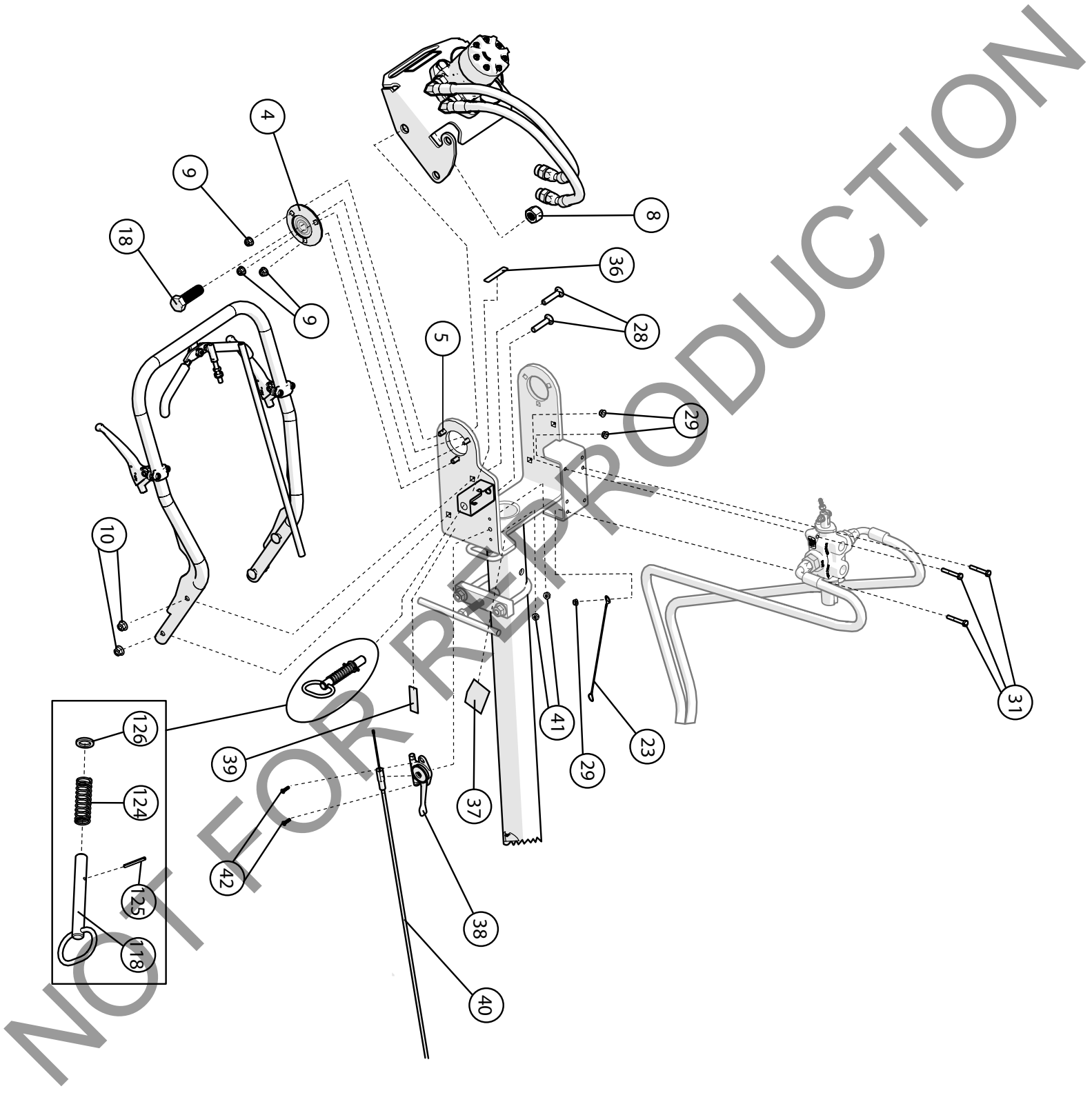


AGR1300H Illustrated Parts Book

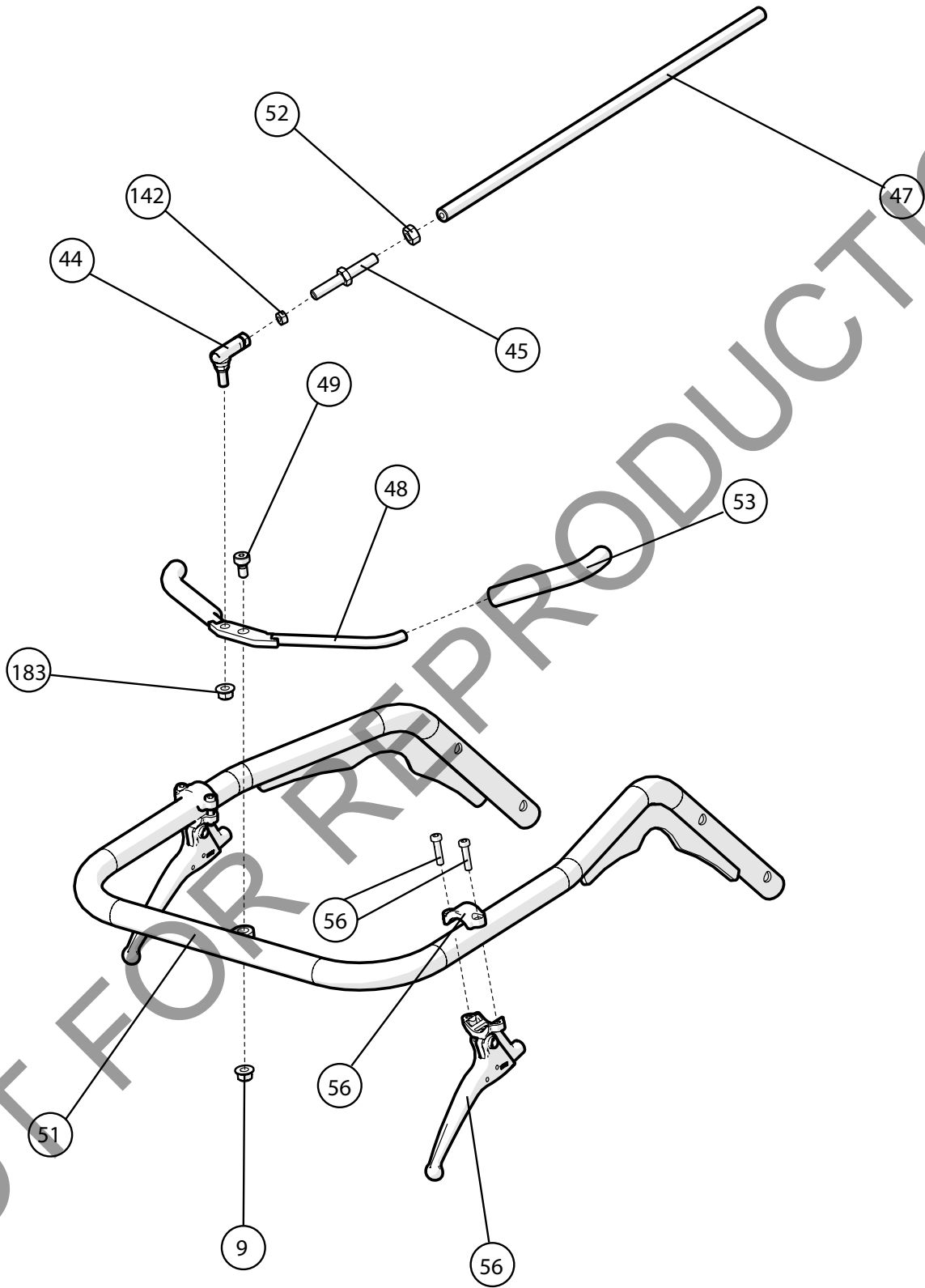




Item Number	Part Number	Description	Quantity
1	540100	WA, ARM, UPPER	1
2	540102	WA, ARM, OSCILLATOR	1
3	540110	PIVOT, ARTICULATING ARM	1
4	362245	BEARING & FLANGETTE ASSY 0.75"	4
5	8024040	BOLT CARRIAGE 5/16-18 X 1" ZP	12
6	8024059	BOLT CARRIAGE 3/8-16 X 1 1/4" ZP	1
7	540329	SCR-CAP, HEX, 3/4-10 X 4.500" ZP	4
8	8161006	NUT LOCK 3/4-10 ZP	6
9	8165002	NUT-HEX-NYLK, FLG .3125"-18 ZP	14
10	8165003	NUT-HEX-NYLK, FLG .375"-16 ZP	1
11	8165005	NUT-HEX-NYLK, FLG .500"-13 ZP	2
12	540101	WA, ARM, DRILL	1
13	540219	U-BOLT, 1/2" X 4" X 5" ZP	1
14	540106	T-HANDLE CLAMP	1
15	8162005	NUT JAM 1/2-13 ZP	2
16	540201	BUSHING, 1.00" ID	2
17	540262	BALL STUD, 1/2" X 5/16-18 ZP	2
18	8041166	SCREWCAP 3/4-10 X 2 1/2" LG Z/P GR 5	2
19	540112	WA, CLAMP LOCK	1
20	540501	LABEL, SAFETY MEN	1
21	540503	DECAL, TRANSPORT LOCK	1
22	540388	PIN, QUICK-RELEASE, .50" X 3.00"	1
23	371283	LANYARD, 12" COATED STEEL	1
24	610363	ZERK FITTING GREASE	1

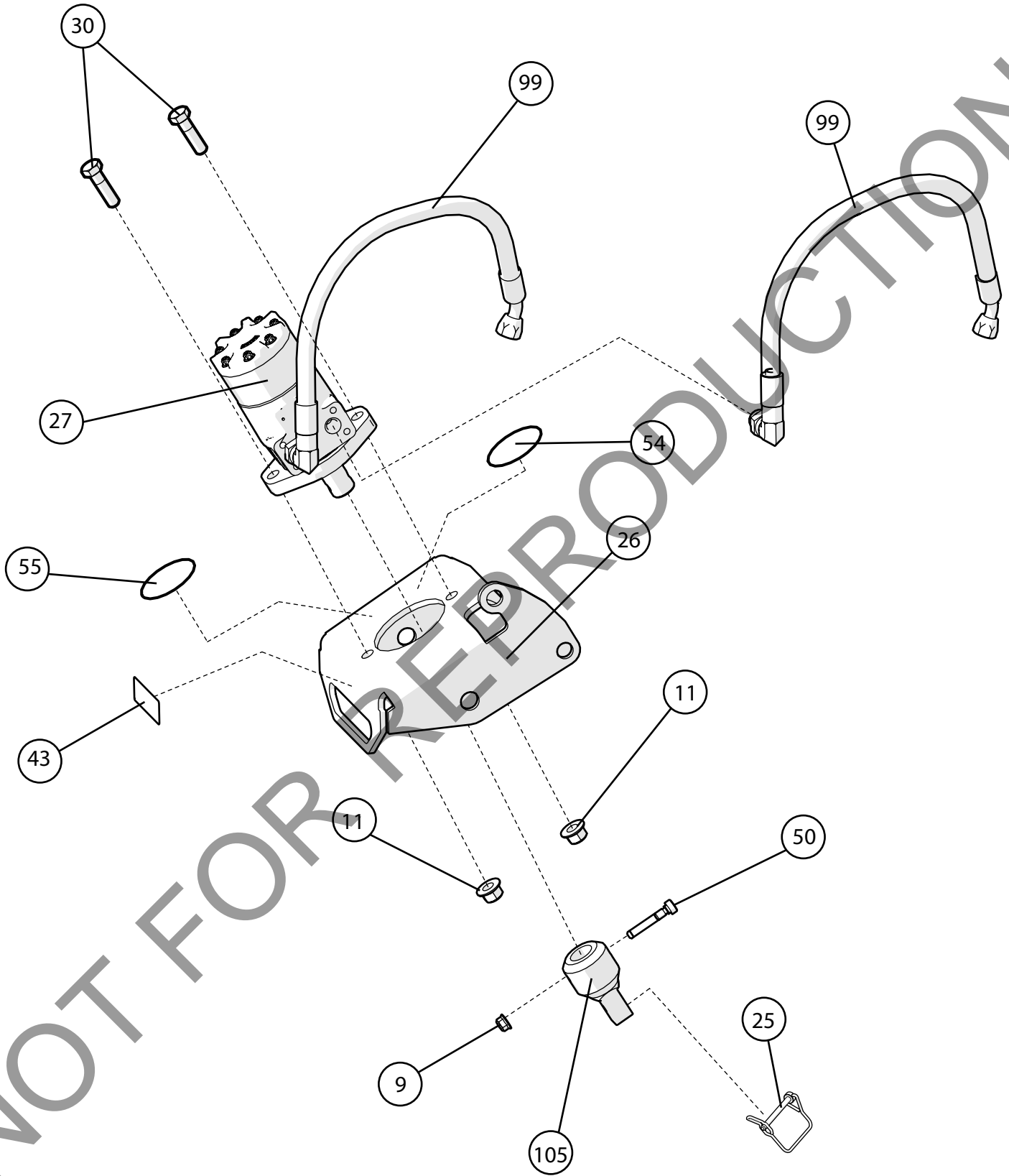


Item Number	Part Number	Description	Quantity
4	362245	BEARING & FLANGETTE ASSY 0.75"	2
5	8024040	BOLT CARRIAGE 5/16-18 X 1" ZP	6
8	8161006	NUT LOCK 3/4-10 ZP	2
9	8165002	NUT-HEX-NYLK, FLG .3125"-18 ZP	6
10	8165003	NUT-HEX-NYLK, FLG .375"-16 ZP	4
18	8041166	SCREWCAP 3/4-10 X 2 1/2" LG Z/P GR 5	2
23	371283	LANYARD, 12" COATED STEEL	1
28	8024062	BOLT CARRIAGE 3/8-16 X 2" G5 ZP	4
29	8165001	NUT-HEX-NYLK, FLG .250"-20 ZP	3
31	8041009	SCREWCAP 1/4"-20 X 1 3/4" HCS ZP	3
36	540502	LABEL, LOCK SLIDE UNLOCK	1
37	540505	DECAL, ENTANGLEMENT HAZARD	1
38	440013	CONTROL THROTTLE	1
39	501314	LABEL THROTTLE BC	1
40	540243	CABLE THROTTLE CONTROL 70"	1
41	8164005	NUT LOCK LT #10-24 HEX	2
42	540362	SCR-MAC, FCSNKHD, 10-24X.750" T1ZP	2
118	540296-2	PIN, WELD ON SPRING LATCH	1
124	540296-3	SPRING, WELD ON SPRING LATCH	1
125	540296-4	PIN, SPRING, WELD ON SPRING LATCH	1
126	540296-5	WSHR, STL, 5/8" ID	1



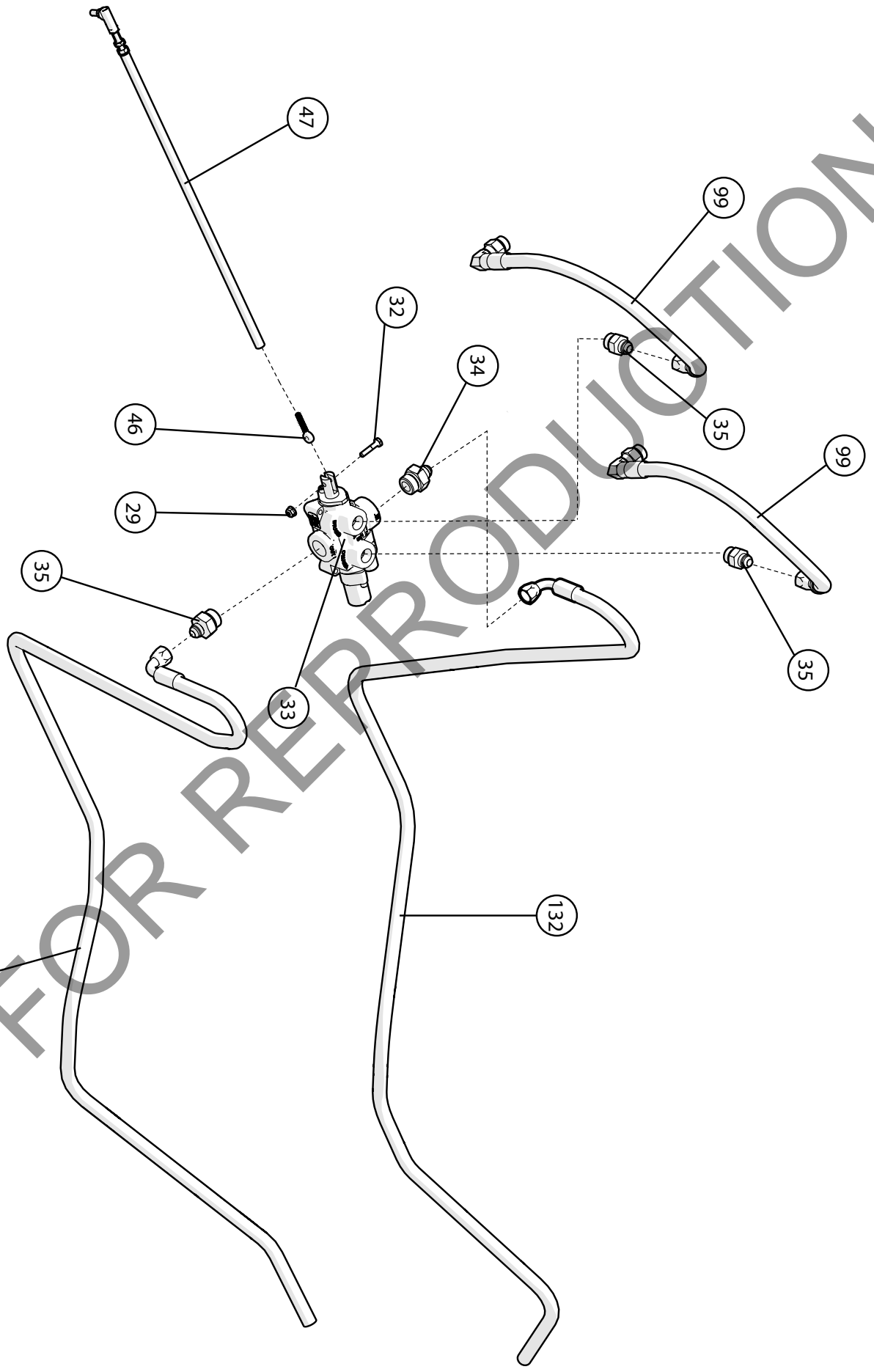
Item Number	Part Number	Description	Quantity
9	8165002	NUT-HEX-NYLK, FLG .3125"-18 ZP	1
44	373272	BALL JOINT, ESL312	1
45	362266	JACKSCREW, 5/16"-24 RT AND LFT	1
47	540383	ROD, TIE, VALVE CONTROL	1
48	540124	WA, AUGER DRIVE HANDLE	1
49	382263	BLT-SLDR,SH.375"X.50",.313"-18X.50"G8ZP	1
51	540109	WA, DRILL HEAD HANDLE	1
52	362322	NUT 5/16-24 LFT HAND FIN HEX ZP	1
53	440242	GRIP CLUTCH CONTROL FSPS	2
56	351209	MAGURA CONTROL	2
142	8150002	NUT-HEX, JAM 0.3125"-24 G2 YZ	1
183	8165102	NUT-HEX-NYLK, FLG .3125"-24 ZP	1

NOT FOR REPRODUCTION



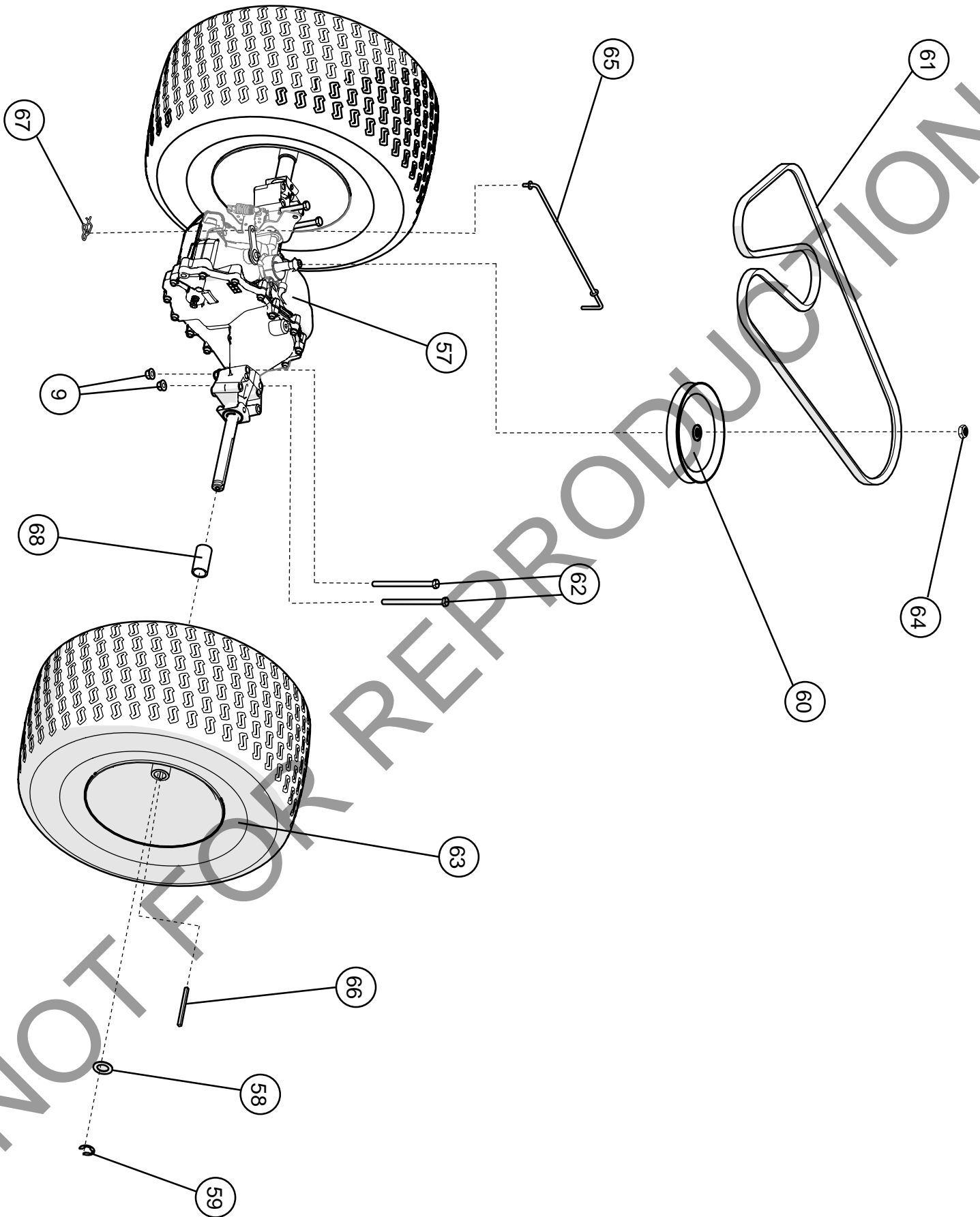
Item Number	Part Number	Description	Quantity
9	8165002	NUT-HEX-NYLK, FLG .3125"-18 ZP	1
11	8165005	NUT-HEX-NYLK, FLG .500"-13 ZP	2
25	540202	LOCKING PIN, .25" OD X 3.00", ZP	1
26	540118	WA, MOTOR PLATE	1
27	540263	MOTOR, HYDRAULIC 306CC	1
30	8041097	SCREWCAP 1/2"-13 X 1 3/4" HCS ZP GR. 5	2
43	100258	LABEL CAUTION HOT SURFACE EN/SP	1
50	360153	BOLT SHOULDER 3/8 x 2"	1
54	540507	DECAL, 811 WARNING	1
55	540509	DECAL, AGR T2V	1
99	540302	VALVE TO MOTOR HOSE 23" OAL	2
105	540412	ADAPTER, HYDRAULIC MOTOR 7/8" SQUARE	1

NOT FOR REPRODUCTION



Item Number	Part Number	Description	Quantity
29	8165001	NUT-HEX-NYLK, FLG .250"-20 ZP	1
32	8041007	SCREWCAP 1/4"-20 X 1 1/4" HCS ZP	1
33	540405	VALVE, HYDRAULIC, .250 CROSSHOLE	1
34	540346	ADAPTER, HYDRAULIC, SAE-12 TO 1/2 JIC	2
35	540344	ADAPTER, HYDRAULIC, SAE-10 TO 1/2 JIC	2
46	540382	ROD END, 1/4-28 X 3.50 LG	1
47	540383	ROD, TIE, VALVE CONTROL	1
99	540302	VALVE TO MOTOR HOSE 23" OAL	2
132	540304	PUMP TO VALVE INLET HOSE 90" OAL	1
137	540305	FILTER TO VALVE OUTLET HOSE 88" OAL	1

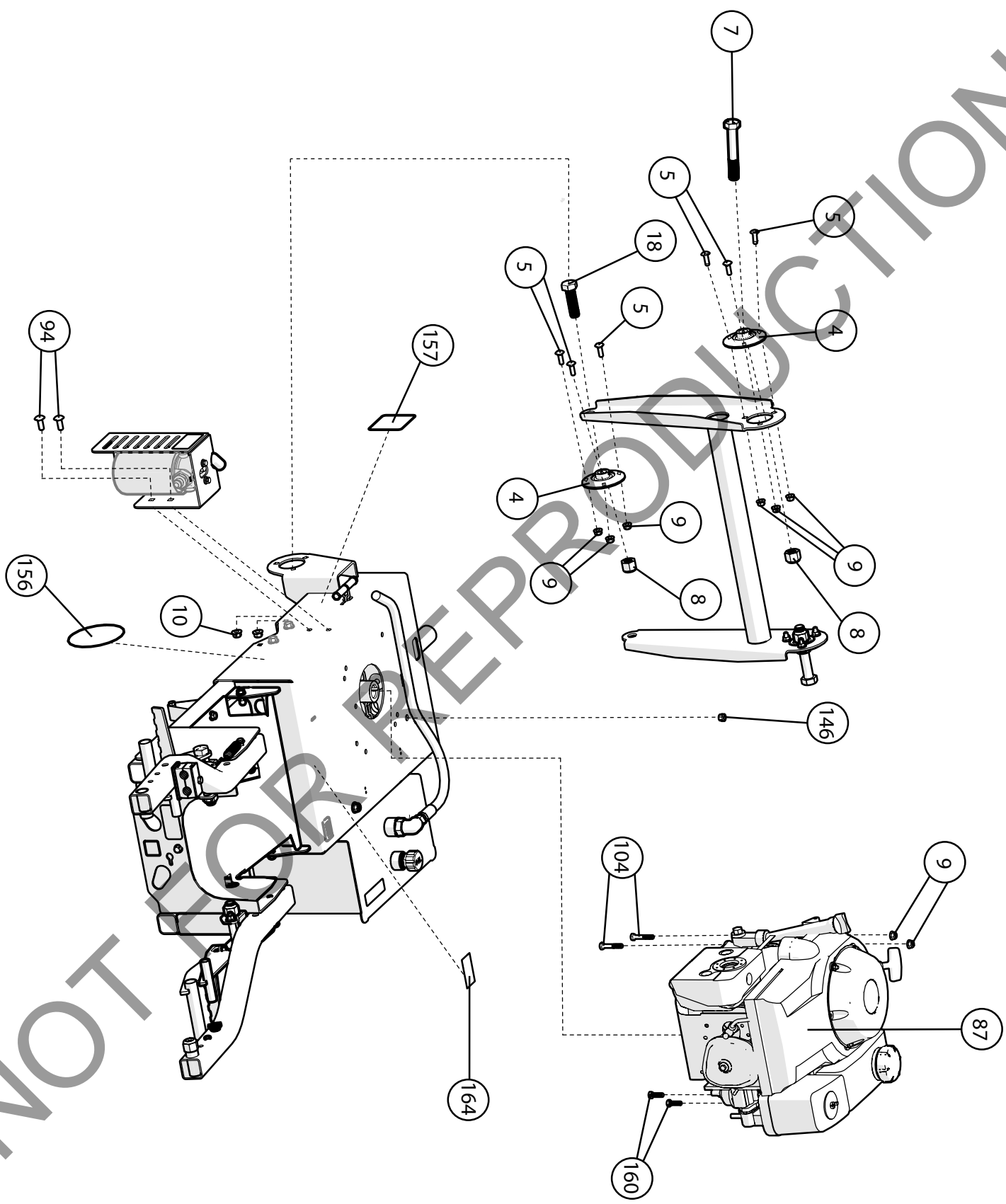
NOT FOR REPRODUCTION



Item Number	Part Number	Description	Quantity
9	8165002	NUT-HEX-NYLK, FLG .3125"-18 ZP	4
57	540253	TRANSAXLE, T2, AUGER	1
58	850238	WASHER .765" IDX1.25"ODX.06"	4
59	850230	RING RETAINING "E" 3/4"	2
60	540214	PULLEY, 8.00"	1
61	540215	BELT, DRIVE	1
62	8041041	SCREWCAP 5/16-18 X 4 1/2" HCS ZP	7
63	540328	ASM, WHEEL & TIRE, 18X9.50-8, TURF MASTER	2
64	610305	NUT LOCK 1/2"-20 THIN	1
65	540332	ROD, BYPASS, .188" X 12.00"	1
66	9201092	KEY 3/16 SQ X 3.00	2
67	371275	PIN, RUE RING 0.250"	1
68	351409	SPACER REAR WHEEL OS900SP	2

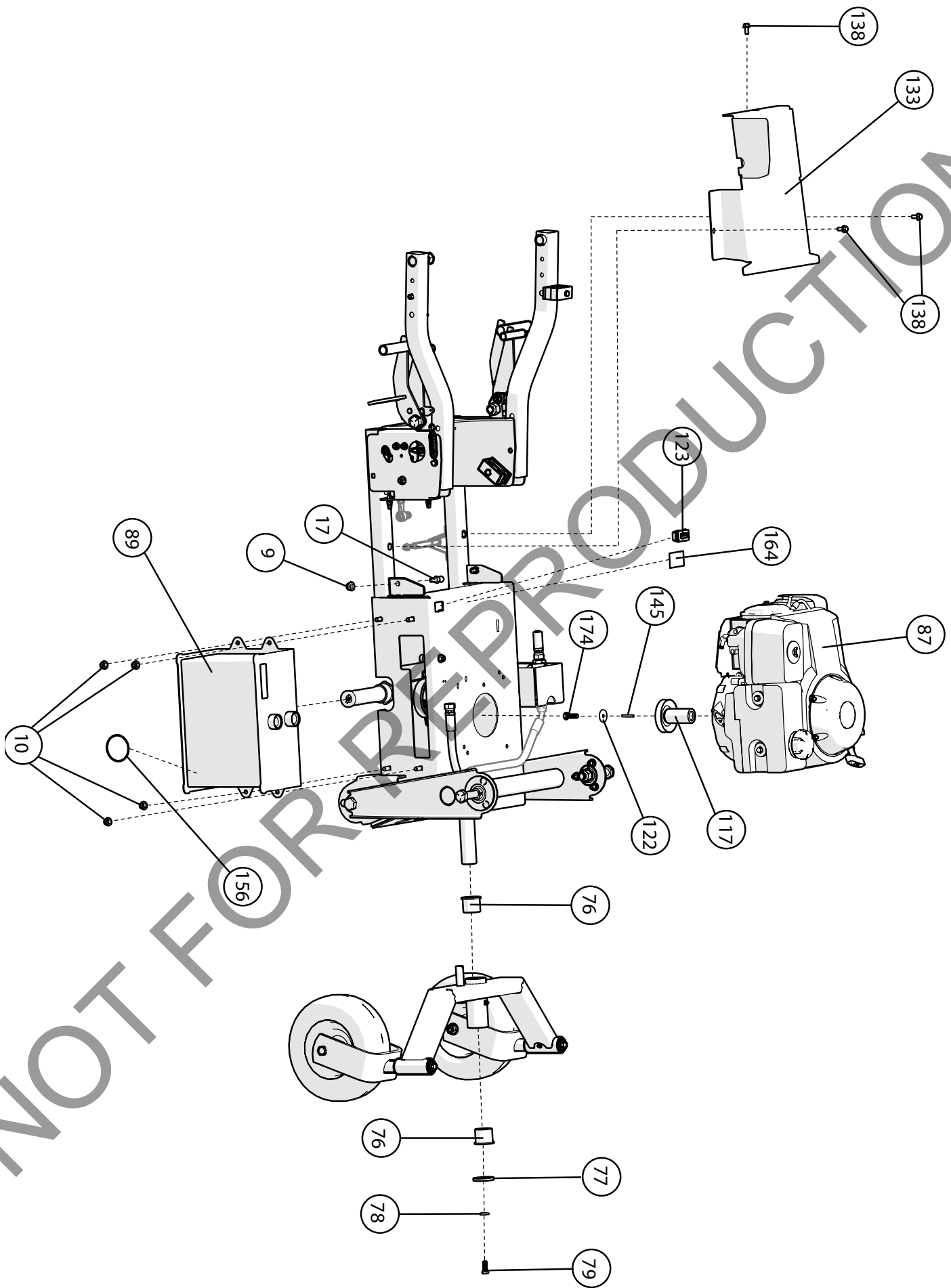
Item Number	Part Number	Description	Quantity
11	8165005	NUT-HEX-NYLK, FLG .500"-13 ZP	2
16	540201	BUSHING, 1.00" ID	4
24	610363	ZERK FITTING GREASE	3
75	540114	WA, CASTER FORK	2
76	501217	BUSHING, 1.500" I.C. x 1.50" FLANGED	2
77	501214	WASHER DECK RETAINING BC2600	1
78	8177012	WASHER LOCK 3/8 S/T MED	1
79	900154	SCREWCAP 3/8-24 X 1" HCS GR 8	1
80	8041112	SCREWCAP 1/2-13 X 6 1/2" HCS ZP	2
81	8041050	SCREWCAP 3/8"-16 X 1" HCS ZP	2
82	8181012	WSHR-STL, BLV, .386" X 1.063" X .082" MZ	2
83	540323	WSHR-STL, FLT .410"X1.250"X.065" FEN ZP	2
84	540327	ASM, WHEEL & TIRE, 11X4.00-5, FLAT FREE	2
85	5045996	CASTER AXLE, .75 x 5.075	2
86	540111	WA, CASTER RIG	1

NOT FOR REPRODUCTION

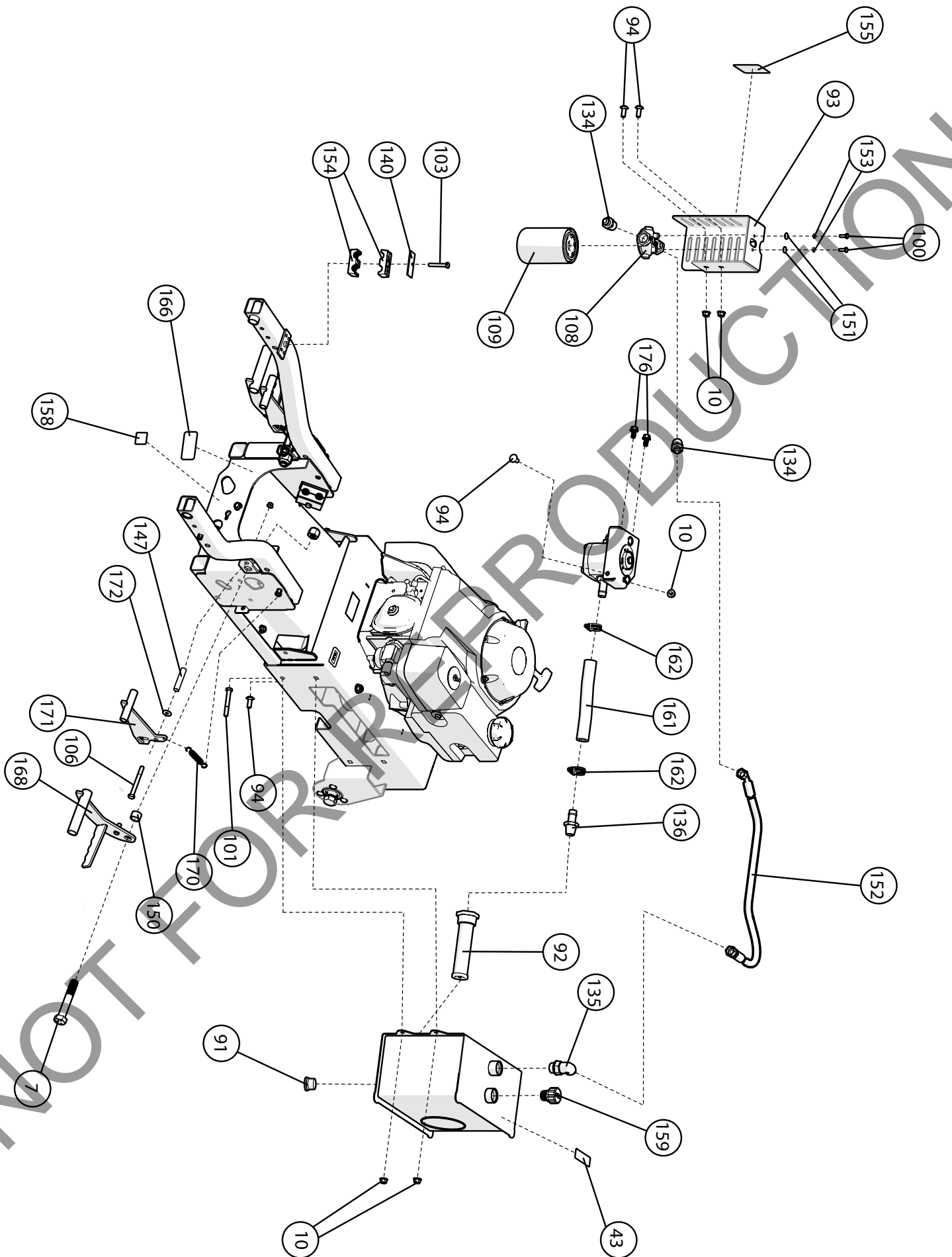


Item Number	Part Number	Description	Quantity
4	362245	BEARING & FLANGETTE ASSY 0.75"	2
5	8024040	BOLT CARRIAGE 5/16-18 X 1" ZP	12
7	540329	SCR-CAP, HEX, 3/4-10 X 4.500" ZP	2
8	8161006	NUT LOCK 3/4-10 ZP	4
9	8165002	NUT-HEX-NYLK, FLG .3125"-18 ZP	14
10	8165003	NUT-HEX-NYLK, FLG .375"-16 ZP	2
18	8041166	SCREWCAP 3/4-10 X 2 1/2" LG Z/P GR 5	2
87	500334	ENGINE 13 HP HONDA GXV390UT1 DABG	1
94	8024058	BLT-RDHDSSQNK, .375"-16 X 1.000 G5 ZP	2
104	8041031	SCREWCAP 5/16"-18 X 1 3/4" GR 5 HCS ZP	2
146	373308	BUSHING, SPLIT 0.350" NYLON BLACK	1
156	890456	LABEL PRODUCT DECAL SM CIRCLE	1
157	540504	DECAL, DRIVE DISENGAGE	1
160	400164	SCREWCAP 5/16"-24 X 1" GR 8 ZP w/PATCH	2
164	5103184	DECAL, WARNING, HAND IN BELT, ENG. ONLY	1

NOT FOR PRODUCTION

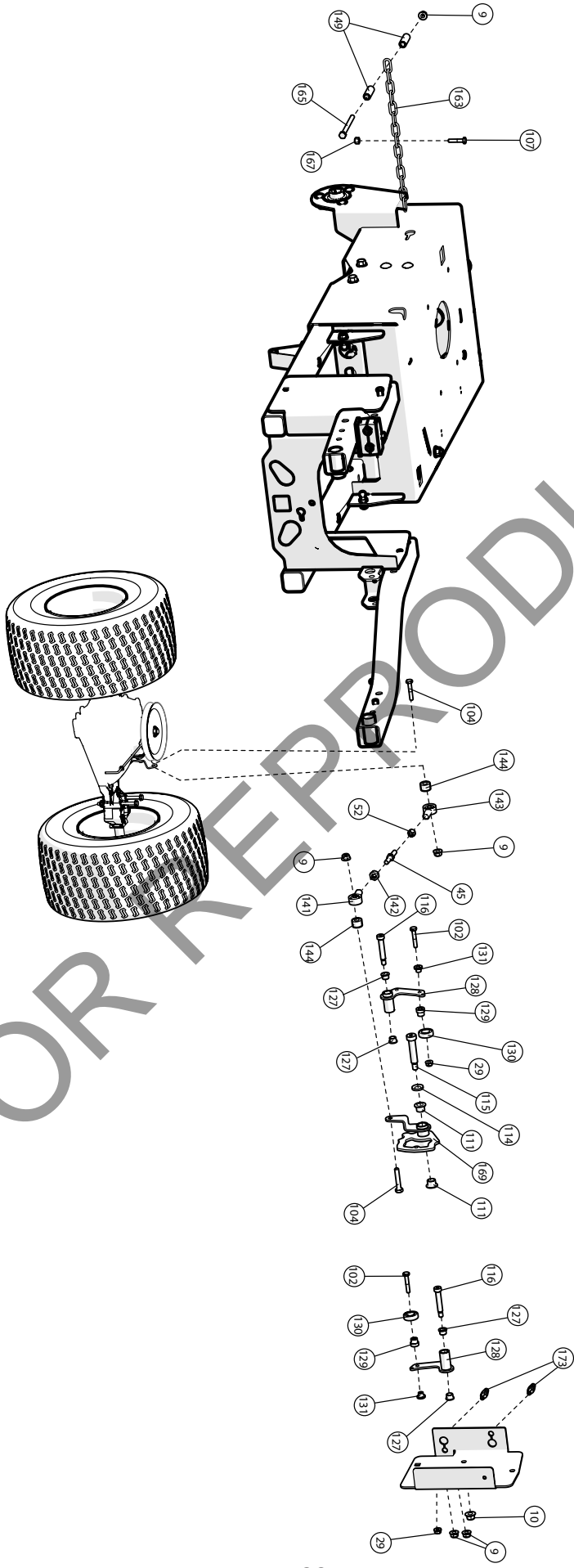


Item Number	Part Number	Description	Quantity
9	8165002	NUT-HEX-NYLK, FLG .3125"-18 ZP	2
10	8165003	NUT-HEX-NYLK, FLG .375"-16 ZP	4
17	540262	BALL STUD, 1/2" X 5/16-18 ZP	2
76	501217	BUSHING, 1.500" I.C. x 1.50" FLANGED	2
77	501214	WASHER DECK RETAINING BC2600	1
78	8177012	WASHER LOCK 3/8 S/T MED	1
79	900154	SCREWCAP 3/8-24 X 1" HCS GR 8	1
87	500334	ENGINE 13 HP HONDA GXV390UT1 DABG	1
89	540104	WA, TANK, HYDRAULIC, 3 GAL	1
117	540213	PULLEY, 4.00"	1
122	8181013	WSHR-STL,BLV, .450"X1.500"X.172" MZ	1
123	373305	HOURLMETER, INDUCTIVE PANEL MOUNT	1
133	540338	SHIELD, TRANSAXLE	1
138	351264	SER. HEX WSHR FLNG SCR 5/16" - 18 x 3/4"	3
145	9201113	KEY 1/4" SQ X 1.00"	1
156	890456	LABEL PRODUCT DECAL SM CIRCLE	1
164	5103184	DECAL, WARNING, HAND IN BELT, ENG. ONLY	1
174	831273	SCREWCAP 7/16-20 x 1 1/2 GR 8 W/PATCH	1

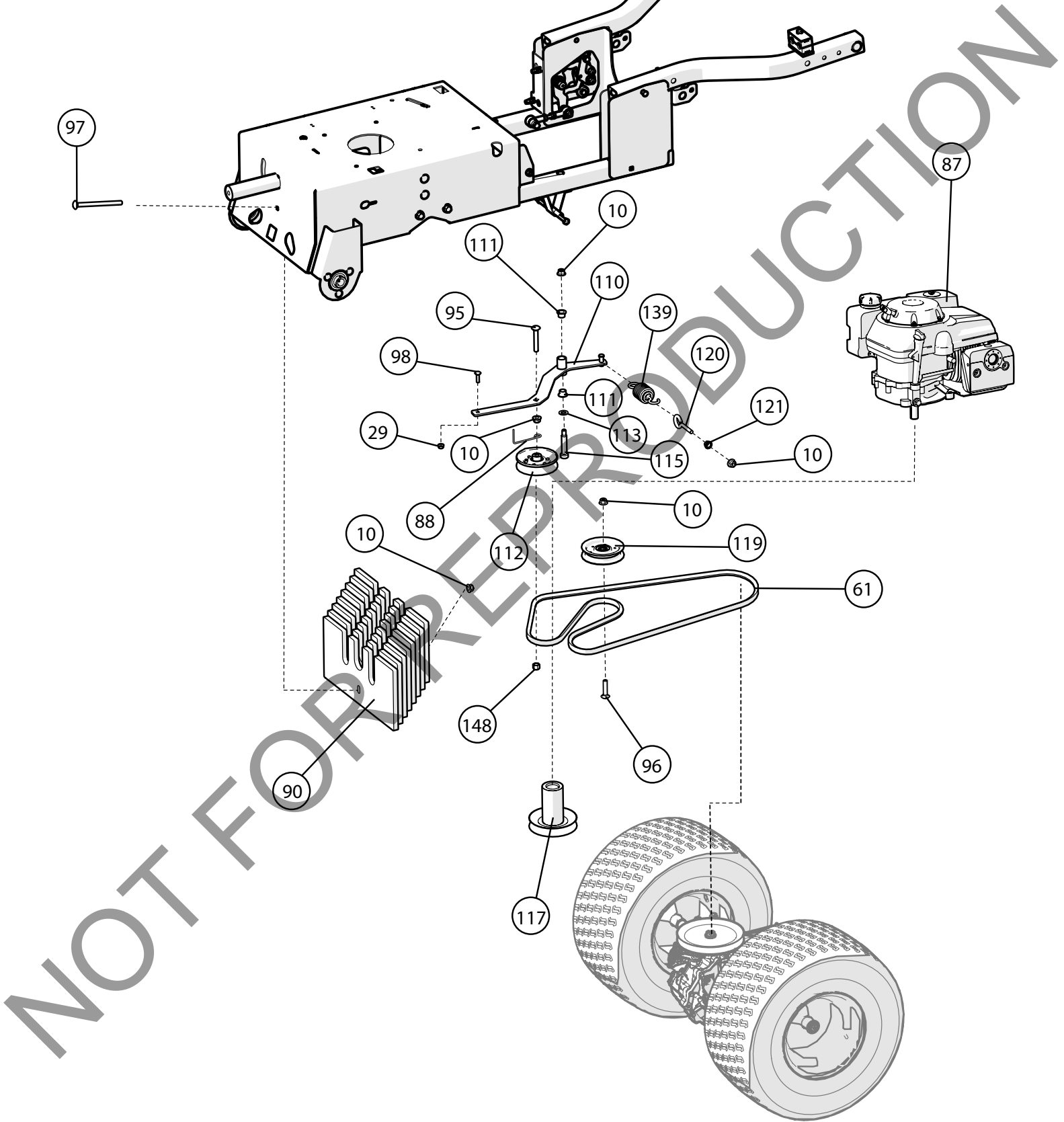


Item Number	Part Number	Description	Quantity
7	540329	SCR-CAP, HEX, 3/4-10 X 4.500" ZP	2
10	8165003	NUT-HEX-NYLK, FLG .375"-16 ZP	5
43	100258	LABEL CAUTION HOT SURFACE EN/SP	1
91	540204	PLUG, HYDRAULIC O-RING SAE 6	1
92	540240	STRAINER, 100 MESH	1
93	540119	WA, FILTER MOUNT	1
94	8024058	BLT-RDHDSSQNK, .375"-16 X 1.000 G5 ZP	6
100	8041004	SCR-CAP, HEX .250"-20 X 0.750" G8 YZ	2
101	8041057	SCREWCAP 3/8"-16 X 2 3/4" ZP	1
103	8041032	SCREWCAP 5/16"-18 X 2" GR 5 HCS ZP	2
106	8041060	SCREWCAP 3/8"-16 X 3 1/2" HCS ZP	2
108	540207	ZAF-07 SPIN ON FILTER HEAD MOUNT	1
109	540208	SPIN ON FILTER, AE-25	1
134	540339	ADAPTER, HYDRAULIC, 3/4 NPT TO 1/2 JIC	2
135	540341	ADAPTER, HYD, 90DEG, SAE-12 TO 1/2 JIC	1
136	540343	ADAPTER, HYD., 1.0 NPT TO 3/4 BEADED	1
140	362300	PLATE, CLAMP COVER	2
147	540381	SPCR, PEDAL MOUNT BRKT	2
150	351408	SPACER AXLE SEED BOX	2
151	8172007	WASHER 1/4 SAE 9/32 X 5/8 X 1/16	2
152	540301	FILTER TO TANK HOSE ASSY 29.5" OAL	1
153	8177010	WASHER LOCK 1/4 S/T MED	2
154	540354	INSERT, WELD ON CLAMP, .50"	2
155	362506	LABEL HIGH PRESSURE	1
158	362510	LABEL TIE DOWN	1
159	540359	CAP, HYDRAULIC, 3/4 NPT W/ SPLASH GUARD	1
161	540319	HOSE, HYDRAULIC, .75" ID X 8.50" LG.	1
162	540333	CLAMP, HOSE, WORM GEAR, 11/16" TO 1-1/4"	2
166	540508	DECAL, TRANSAXLE BYPASS	1
168	540121	WA, BRAKE PEDAL, RIGHT	1
170	382338	SPRING, EXT 4.090" X Ø.701 X 14LBF/IN	2
171	540123	WA, PEDAL RELEASE	2
172	382241	WSHR-NYL, FLT, .385" X .880" X .125"	2
176	791080	SER. HEX WSHR FLNG SCR 0.375 - 16 x 0.75	2

NOT FOR REPRODUCTION

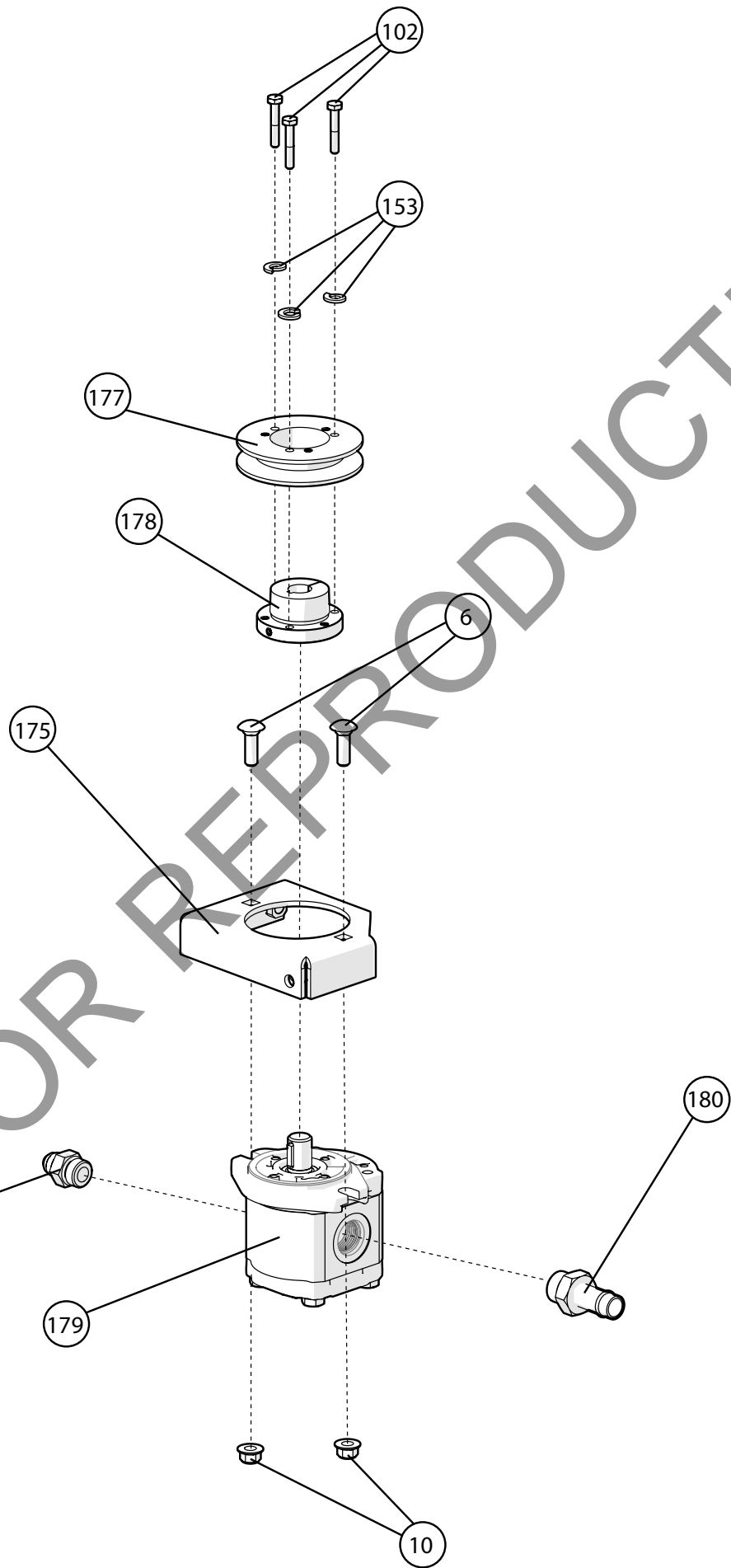


Item Number	Part Number	Description	Quantity
9	8165002	NUT-HEX-NYLK, FLG .3125"-18 ZP	5
10	8165003	NUT-HEX-NYLK, FLG .375"-16 ZP	1
29	8165001	NUT-HEX-NYLK, FLG .250"-20 ZP	2
45	362266	JACKSCREW, 5/16"-24 RT AND LFT	1
52	362322	NUT 5/16-24 LFT HAND FIN HEX ZP	1
102	8041008	SCREWCAP 1/4"-20 X 1 1/2" HCS ZP	2
104	8041031	SCREWCAP 5/16"-18 X 1 3/4" GR 5 HCS ZP	2
107	8041005	SCR-CAP, HEX .250"-20 X 1.250" 18-8 SS	1
111	362254	BUSHING, .500" I.D.	2
114	382277	WSHR-STL,FLT .500"X.875"X.134" MAB ZP	1
115	382295	BLT-SLDR,SH.500"X2.00",.375"-16X.63"G8ZP	1
116	351258	BLT-SLDR,SH.375"X1.75",.313"-18X.50"G8ZP	2
127	840078	BUSHING 3/8 ID x 1/2 OD x 3/8	4
128	501114	BELLCRANK BC2600 WA	2
129	351347	SPACER, SPEED CONTROL STEPPED PM	2
130	351257	BEARING .500 ID x 1.125 OD X .313 THK	2
131	351348	SPACER, SPEED CONTROL EYELET PM	2
141	351278	SPHERICAL ROD END MSF-5	1
142	8150002	NUT-HEX, JAM, .3125"-24 G2 YZ	1
143	362269	SPHERICAL ROD END, FEMALE 5/16"-24 LFT	1
144	830526	TUBE PIVOT IDLER VQ	2
149	360272	TUBE 0.562 RD x 1.468 x 0.109 WALL	2
163	540406	CHAIN, GRADE 30, 13" OAL	1
165	8041038	SCREWCAP 5/16"-18 X 3 1/2" GR 5 HCS ZP	1
167	8160001	NUT LOCK 1/4-20 HEX ZP	1
169	373112	CAM, SPEED CONTROL WA	1
173	540290	CABLE, SPEED CONTROL ASSY RT	2



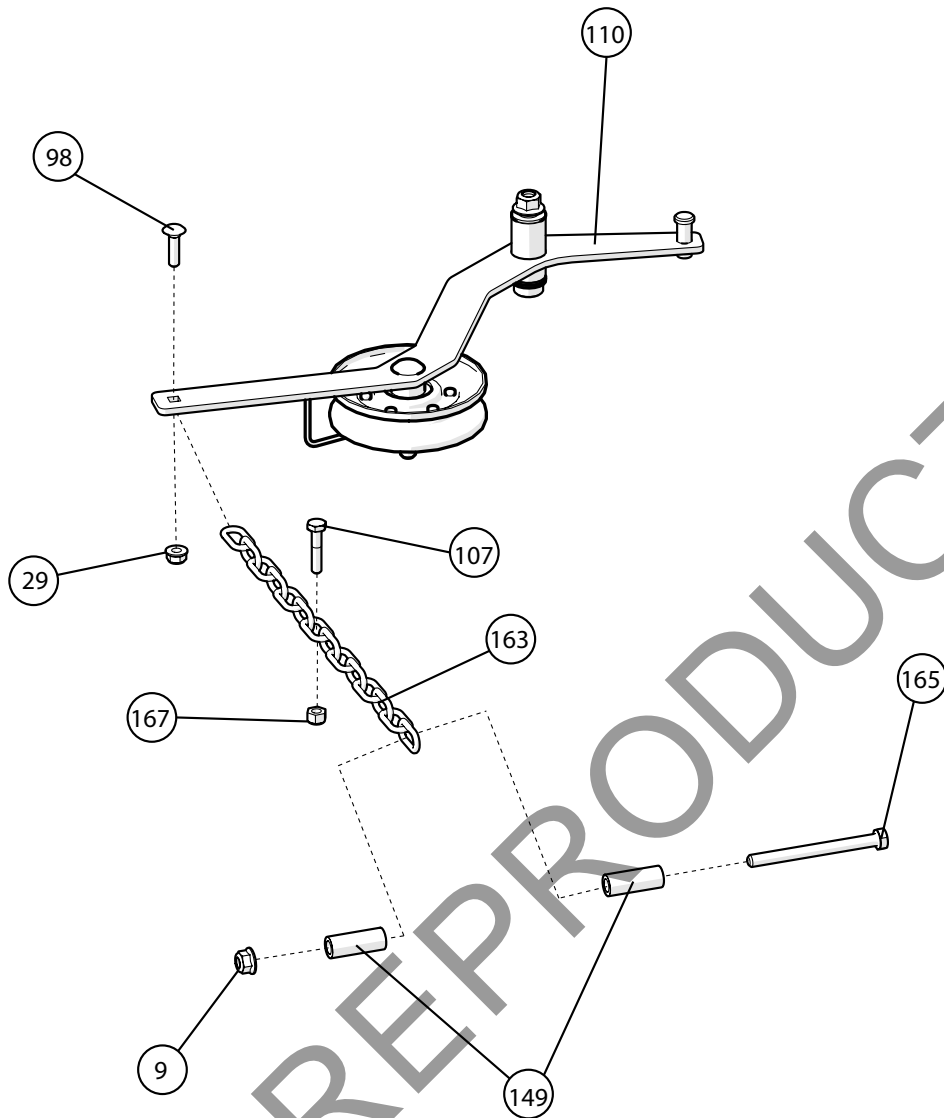
Item Number	Part Number	Description	Quantity
10	8165003	NUT-HEX-NYLK, FLG .375"-16 ZP	3
29	8165001	NUT-HEX-NYLK, FLG .250"-20 ZP	1
61	540215	BELT, DRIVE	1
87	500334	ENGINE 13 HP HONDA GXV390UT1 DABG	1
88	540222	BELT FINGER, .375 X 2.875, 90 DEG	1
90	540298	PLATE, 1/2" WEIGHT	8
95	8024064	BOLT CARRIAGE 3/8-16 X 2 1/2" ZP	1
96	8024061	BOLT CARRIAGE 3/8-16 X 1 3/4" ZP	1
97	8024161	BOLT CARRIAGE 3/8-16 X 5" ZP	1
98	8024022	BOLT CARRIAGE 1/4-20 X 1" ZP	1
110	540107	WA, IDLER	1
111	362254	BUSHING, .500" I.D.	2
112	540411	PULLEY, IDLER, 4.0 O.D. SPLIT STEEL	1
113	382252	WSHR-STL,FLT .500"X.875"X.0747" MAB ZP	1
115	382295	BLT-SLDR,SH.500"X2.00",.375"-16X.63"G8ZP	1
117	540213	PULLEY, 4.00"	1
119	500113	PULLEY IDLER 4.00" OD X 3/8" BORE	1
120	791081	BOLT EYE G-2 3/8" x 2"	1
121	791079	NUT-HEX-FGLK, .375"-16 G5 ZP	1
139	5104676	SPRING-EXT, 1.5ODX4.750LGX.177WR, BLK	1
148	8160003	NUT LOCK 3/8-16 HEX	1

NOT FOR REPRODUCTION

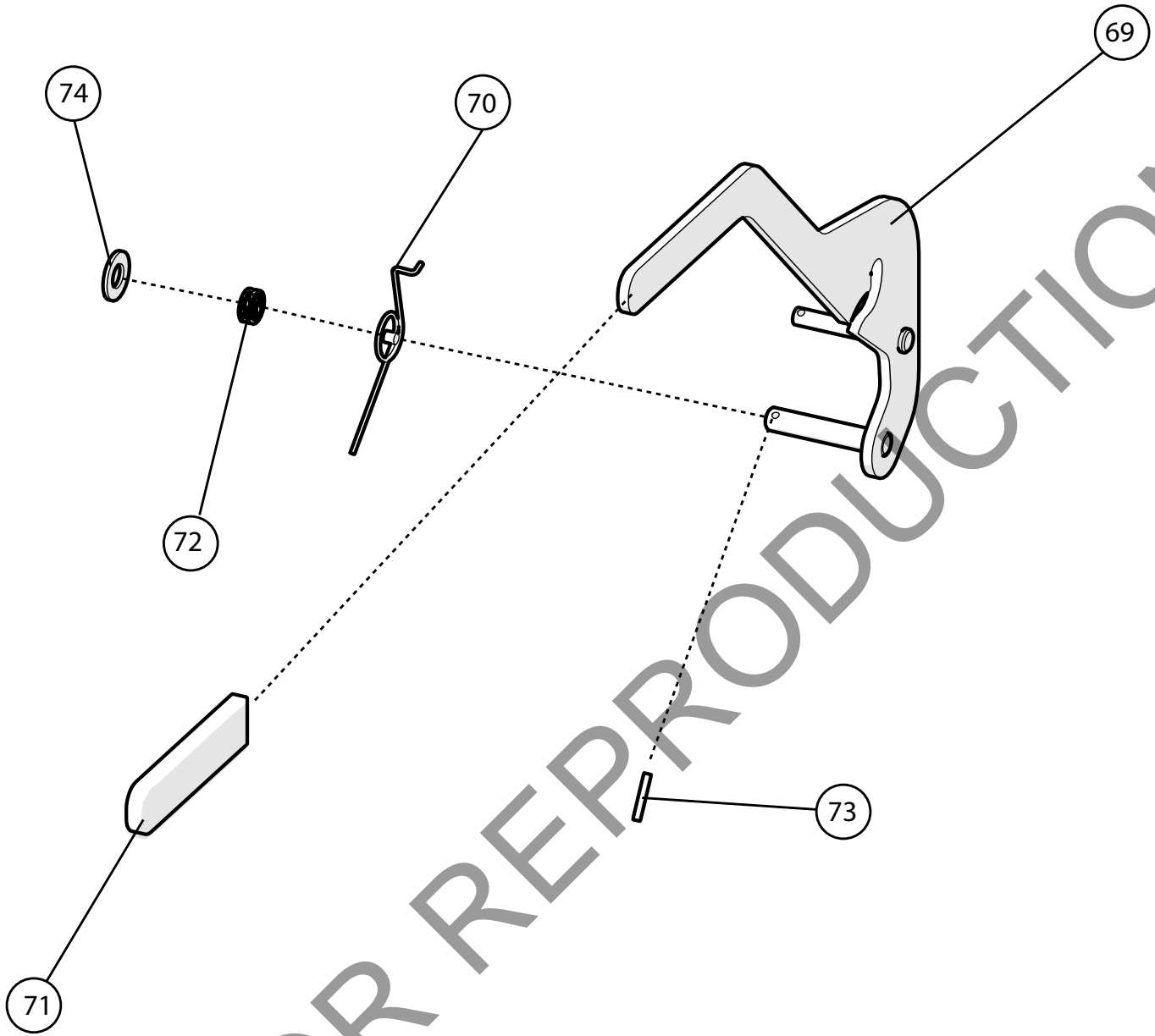


Item Number	Part Number	Description	Quantity
6	8024059	BOLT CARRIAGE 3/8-16 X 1 1/4" ZP	2
10	8165003	NUT-HEX-NYLK, FLG .375"-16 ZP	3
35	540344	ADAPTER, HYDRAULIC, SAE-10 TO 1/2 JIC	1
102	8041008	SCREWCAP 1/4"-20 X 1 1/2" HCS ZP	3
153	8177010	WASHER LOCK 1/4 S/T MED	3
175	540120	WA, HYDRAULIC PUMP MOUNT	1
177	540271	PULLEY, QD, 4.00" OD	1
178	540228	TUBE, PIVOT	1
179	540239	PUMP, HYDRAULIC 10CC	1
180	540342	ADAPTER, HYDRAULIC, SAE-12 TO 3/4 BEADED	1

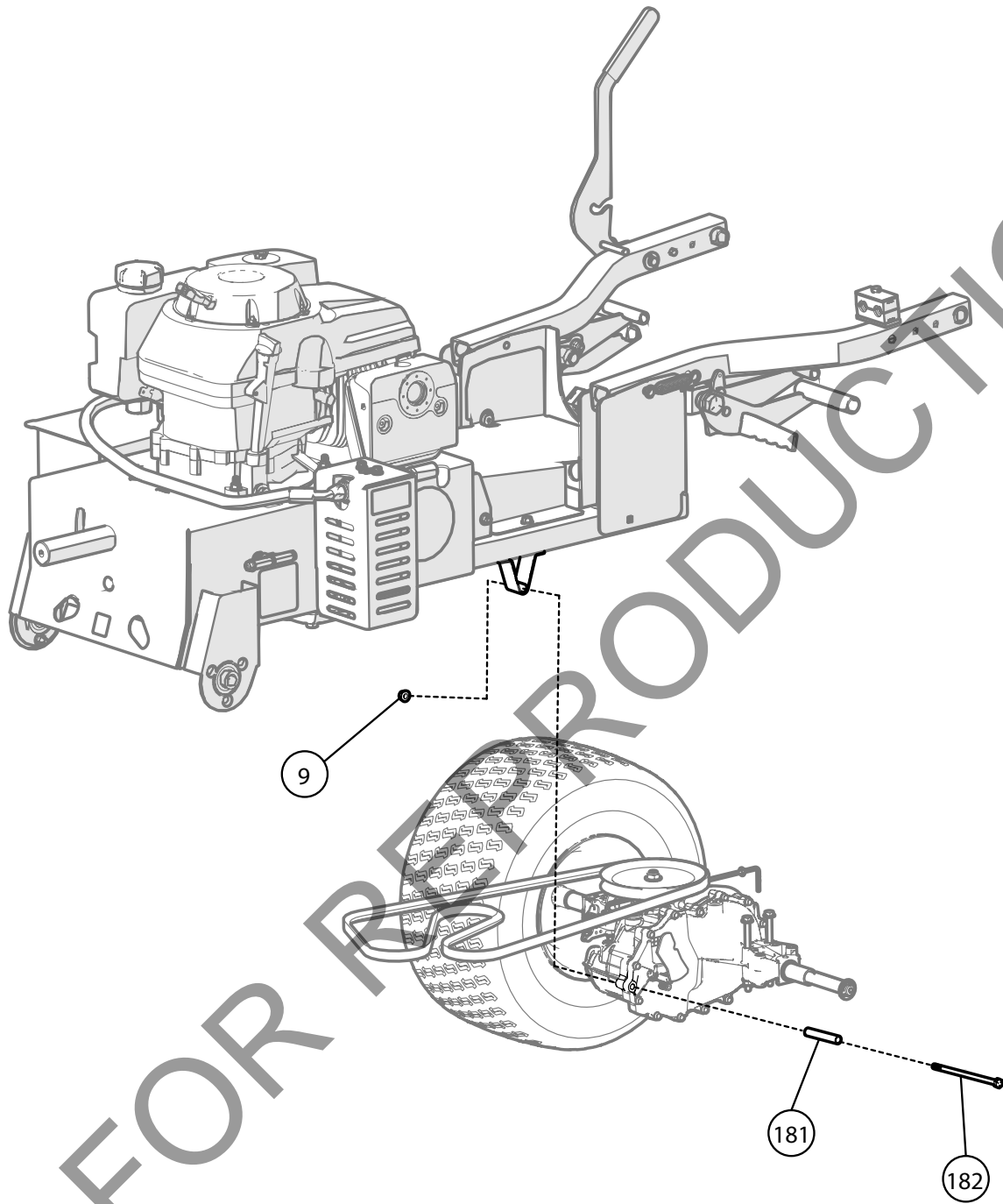
NOT FOR REPRODUCTION



Item Number	Part Number	Description	Quantity
9	8165002	NUT-HEX-NYLK, FLG .3125"-18 ZP	1
29	8165001	NUT-HEX-NYLK, FLG .250"-20 ZP	1
98	8024022	BOLT CARRIAGE 1/4-20 X 1" ZP	1
107	8041005	SCR-CAP, HEX .250"-20 X 1.250" 18-8 SS	1
110	540107	WA, IDLER	1
149	360272	TUBE 0.562 RD x 1.468 x 0.109 WALL	2
163	540406	CHAIN, GRADE 30, 13" OAL	1
165	8041038	SCREWCAP 5/16"-18 X 3 1/2" GR 5 HCS ZP	1
167	8160001	NUT LOCK 1/4-20 HEX ZP	1

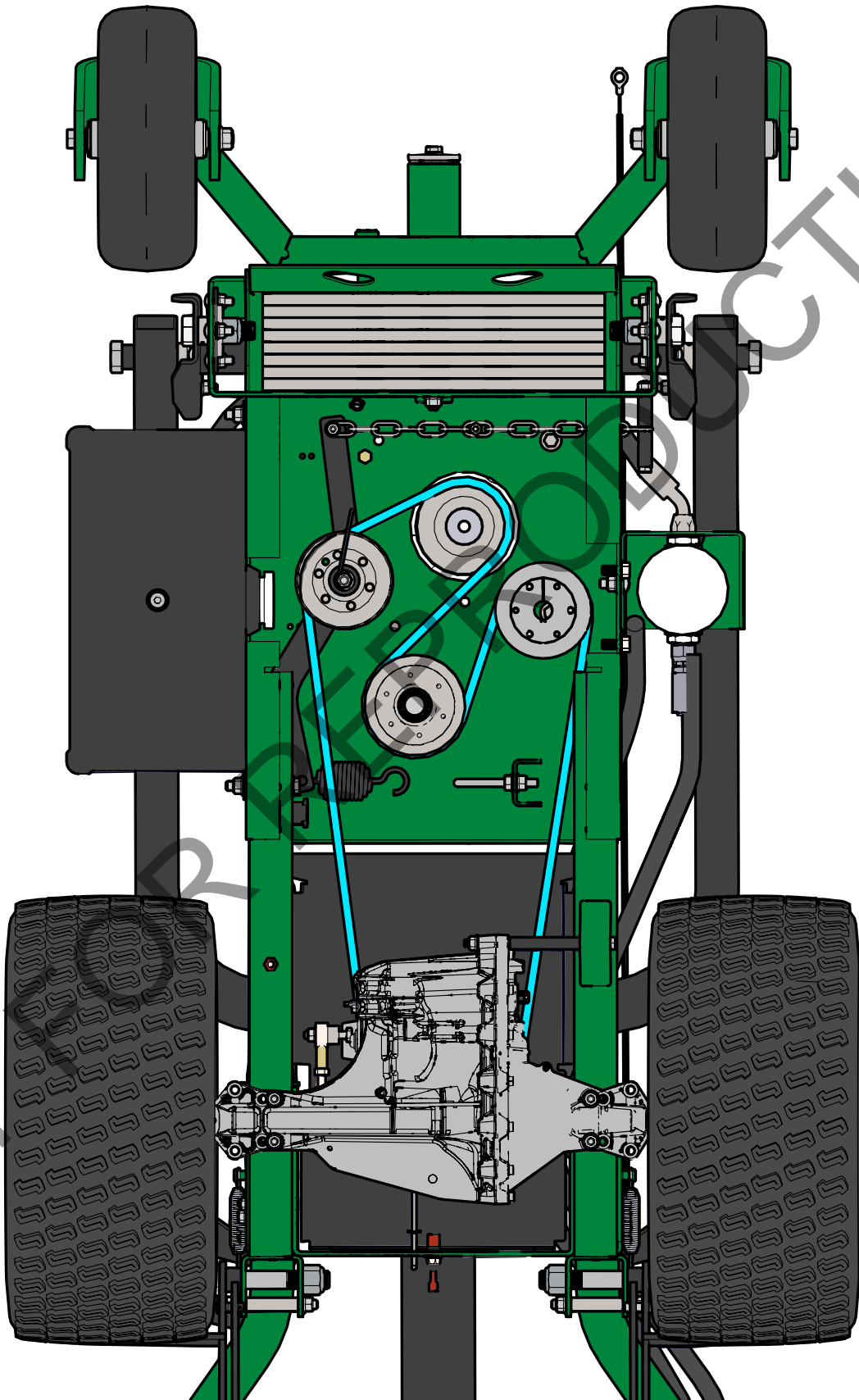


Item Number	Part Number	Description	Quantity
69	540105	WA, TRANSPORT LOCK	1
70	510142	SPRING TRANS IDLER	1
71	540276	GRIP, DRIVE HANDLE	1
72	540372	WAVE SPRING, .58 X .75 X .250 THK	1
73	540373	PIN, ROLL, .156 X 1.00 LG., ZP	1
74	8172011	WASHER 1/2 SAE Z/P	1



Item Number	Part Number	Description	Quantity
9	8165002	NUT-HEX-NYLK, FLG .3125"-18 ZP	1
181	540349	SPACER, ANTI-ROTATION MOUNT	1
182	540355	SCR-CAP, HEX-UNC, .3125-18 X 6.0	1

AGR1300H Belt Routing





©2019 Billy Goat Industries, Inc.
All rights reserved.