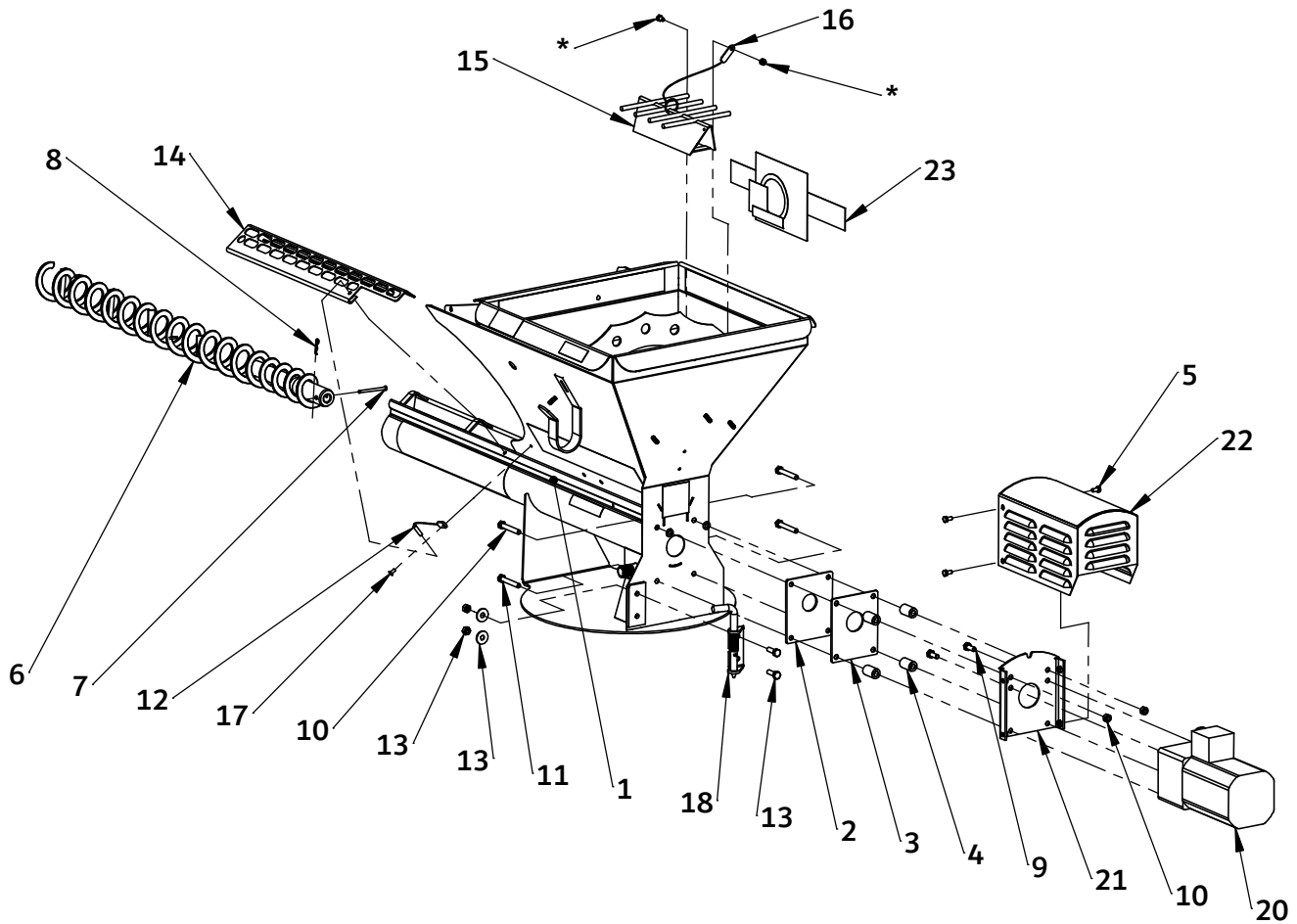


-	PART NUMBER	50138/ QTY.	50180/ QTY.	DESCRIPTION
1	MMXR-P008	1	1	STEEL BASE
2	MMXR-P010	-	1	FRAME, CART, GEN. 1
2	50136	1	-	FRAME, CART, GEN. 2
3	MMXR-P011	-	1	HANDLE, CART, GEN. 1
3	50137	1	-	HANDLE, CART, GEN. 2
4	MMXR-P013	-	1	AXLE, GEN. 1
4	50139	1	-	AXLE, GEN. 2
5	MMXR-P012	2	2	WHEEL ASSEMBLY
6	MMXR-P014	2	2	WASHER, M19, LIGHT DUTY, STAINLESS STEEL
7	MMXR-P419	6	6	M10 X 55L SCREW, WASHER, NYLOCK NUT
8	MMXR-P015	2	2	COTTER PIN M2 X 40MM (MCPN 98350A821)
12	MMXR-P405	1	1	SCREW, WASHERS, NUT, M14 X 80, SS
13	MMXR-P009	1	1	BUSHING, 16" OD X 3.5" ID X .06 THK.
14	MMXR-P406	1	1	SPRING
15	MMXR-P006	1	1	WASHER, .56 ID X 4.0 OD X 10 GAUGE



ITEM NO.	50183/ QTY.	50194/ QTY.	PART NUMBER	DESCRIPTION
1	1	1	MMJ-10504	MAIN BODY WELDMENT
2	1	1	MMXR-P214	MOTOR PU WASHER, GASKET, AUGER PASS THROUGH
3	1	1	MMXR-P213	BACKING PLATE, AUGER GASKET
4	4	4	MMXR-P001	SPACER, MOTOR MOUNT
5	4	4	MMXR-P410	SCREW, FLANGED HEX HEAD, M6 X 1.0 X 16 SS (90166A145)
6	1	1	MMXR-P212	AUGER AND AXLE ASSEMBLY
7	1	1	PCSAP001	PIN, CLEVIS, 5MM X 55MM GRIP LENGTH
8	1	1	PCSAP002	HAIR PIN, 1/16" DIAMETER, FOR 1/4" PIN (92391A034)
9	2	2	MMXR-P418	SCREW, HEX HEAD, M8 X 1.25 X 20, SS (91287A152)
10	2	2	MMXR-P417	M8 X 1.25 X 55 SCREW, WASHER, & NYLOCK NUT, SS
11	2	2	MMXR-P416	SCREW, HEX HEAD, M8 X 1.25 X 55, SS (91287A311)
12	1	1	MMXR-P407	LANYARD, CHUTE GUARD
13	2	2	MMXR-P415	SCREW, NUT, WASHER, M8 X 25, SS
14	1	1	BSMCP002	CHUTE PROTECTIVE COVER
15	1	1	WCSHA001	HOPPER GRATE ASSEMBLY
16	1	1	MMXR-P421	LANYARD, HOPPER GRATE
17	1	1	MMXR-P408	RIVET, BLIND, M4.7 X 10MM
18	1	1	MMXR-P007	SWIVEL LATCH
19	1	1	MMXR-P420	M6 X 10MM SCREW, WASHER & NYLOCK NUT, SS
20	-	1	50191	MOTOR, ELECTRIC - GREENSKY
20	1	-	MMXR-P209	MOTOR, AUGER DRIVE
21	-	1	50192	PLATE, MOTOR MOUNTING, GREENSKY
21	1	-	MMXR-P211B	MOUNTING PLATE, MOTOR
22	-	1	50193	COVER, MOTOR, GREENSKY
22	1	-	MMXR-P210B	MOTOR COVER, COMPLETE
23	1	1	50195	COMPLETE DECAL PACKET FOR MMXR-3221

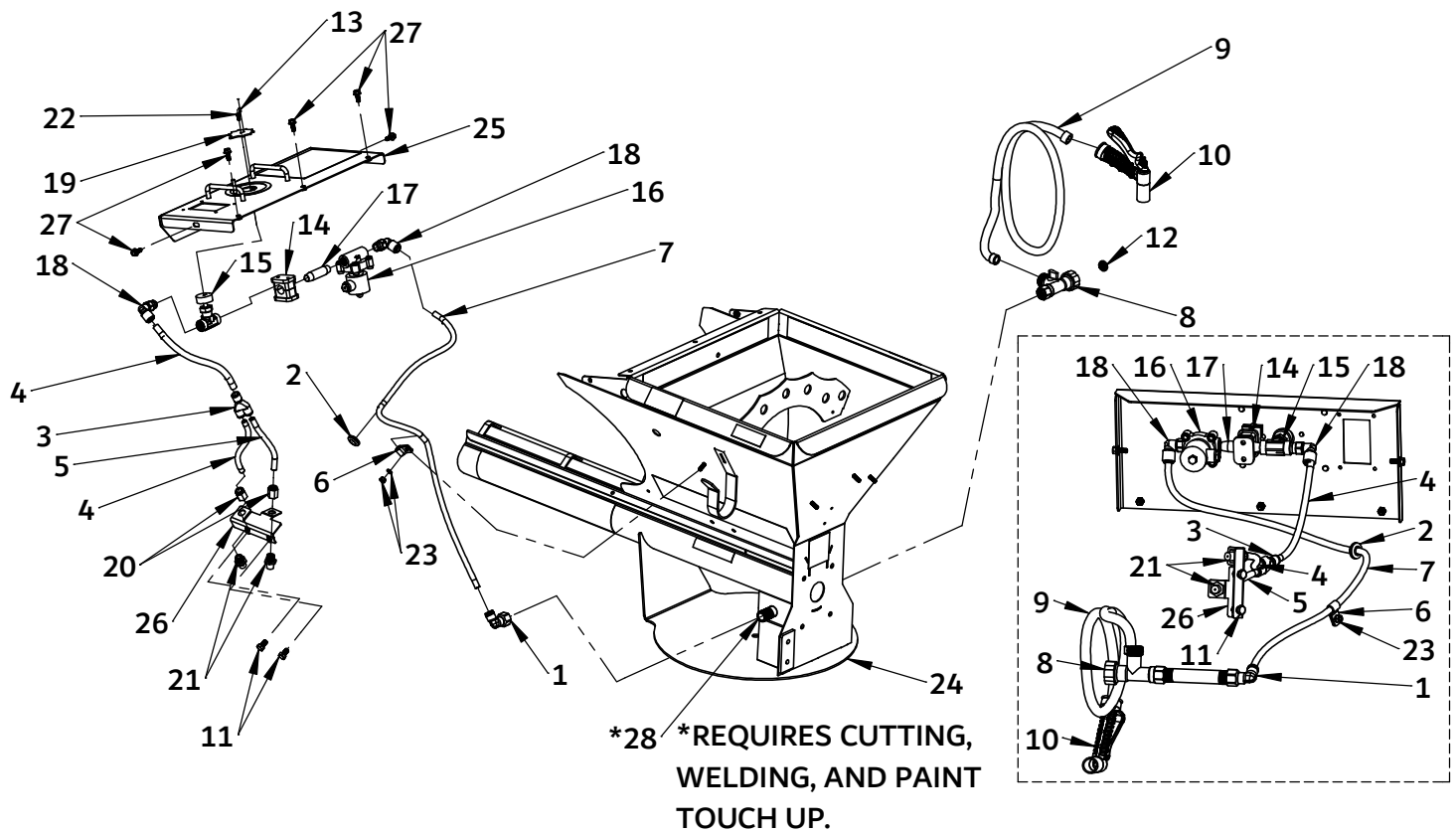
REV.

1

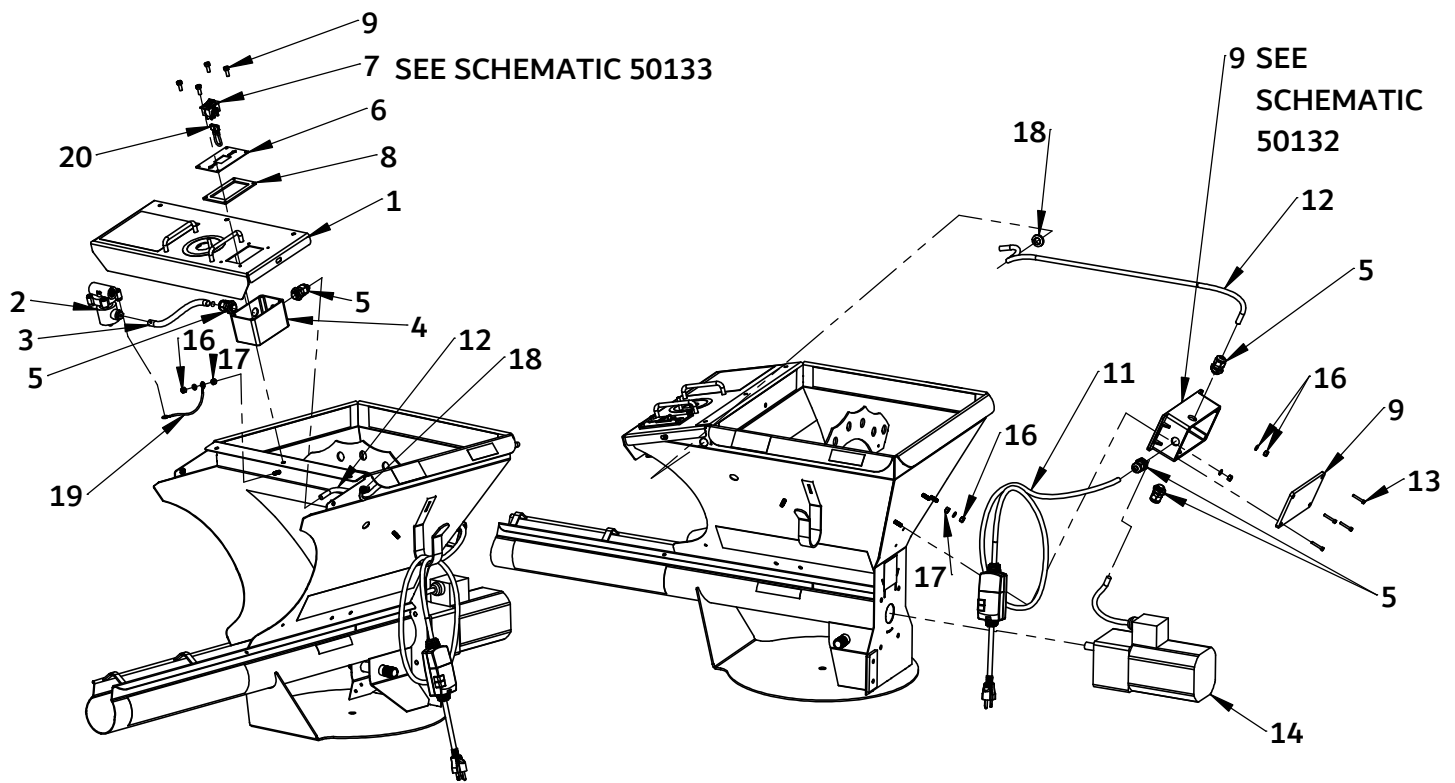
50182

PARTS DIAGRAM, AUGER, DRIVE, & SAFETY ITEMS

MUDMIXER.com



ITEM NO.	QTY.	PART NUMBER	DESCRIPTION
1	1	MMXR-P106	ELBOW ADAPTOR, 1/2" F NPT X 10MM PUSH TO CONNECT
2	1	MMXR-P111	GROMMET, 15MM ID FOR 18MM HOLE
3	1	MMXR-P120	WYE, 10MM PUSH TO CONNECT X3
4	2	MMXR-P109	TUBE, 10MM OD X 185MM LG.
5	1	MMXR-P110	TUBE, 10MM X 150MM LONG
6	1	MMXR-P112	P-CLAMP, 10MM
7	1	MMXR-P108	TUBE, 10MM X 870MM LONG
8	1	MMXR-P102	BALL VALVE TEE, 2X GARDEN HOSE 1X NPT
9	1	MMXR-P103	HOSE, 6' LONG
10	1	MMXR-P104	WASH GUN, GHT THREAD
11	2	MMXR-P414	SCREW, HEX HEAD, M8 X 1.25 X 15, SS (91287A554)
12	1	MMXR-P101	FILTER SCREEN, GARDEN HOSE
13	1	MMXR-P402	RIVET, BLIND, 1/8" X <.25 GRIP LENGTH
14	1	MMXR-P116	CLAMP, PIPE SUPPORT, 1/2" PIPE (INC. 2X M6 X 35 SCREWS)
15	1	MMXR-P118	VALVE, FLOW CONTROL
16	1	MMXR-P114	VALVE, SOLENOID
17	1	MMXR-P115	NIPPLE, 1/2 NPT X 2.5" LONG
18	2	MMXR-P113	ELBOW, 1/2" MALE NPT X 10MM PUSH TO CONNECT
19	1	MMXR-P119	WATER DIAL
20	2	MMXR-P121	FITTING, 10MM PUSH TO CONNECT X FEMALE THREAD
21	2	MMXR-P122	SPRAY NOZZLE
22	1	MMXR-P401	SCREW, M4 X 10MM, STAINLESS STEEL (91287A112)
23	1	MMXR-P412	NYLOCK NUT AND WASHER, M6, 18-8 SS
24	1	MMJ-10504	MAIN BODY WELDMENT
25	1	MMJ-10507	CONTROL PANEL WELDMENT
26	1	BSMCP003	BRACKET, WATER INJECTION
27	5	MMXR-P410	SCREW, FLANGED HEX HEAD, M6 X 1.0 X 16 SS (90166A145)
*28	1	MMXR-P105	NIPPLE, 1/2" NPT X 5.0" LONG, STAINLESS STEEL

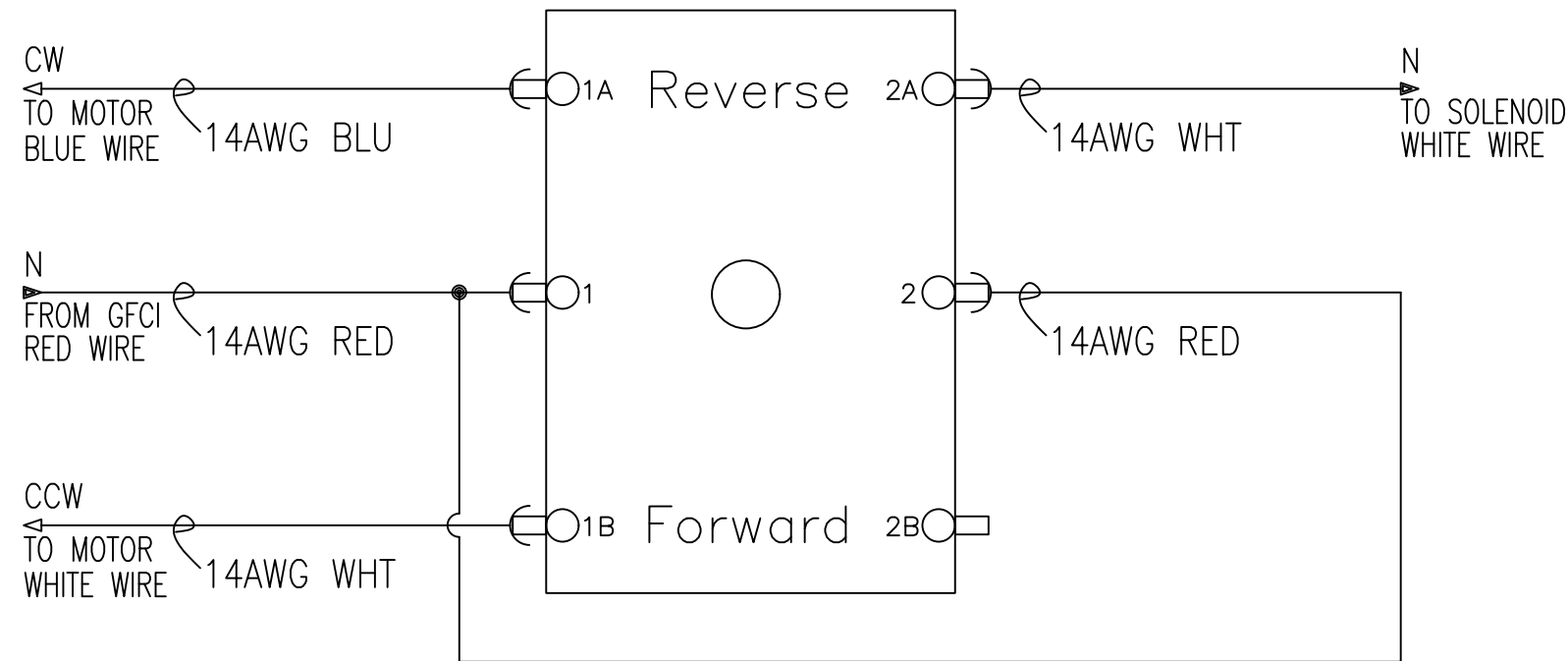


ITEM NO.	QTY.	PART NUMBER	DESCRIPTION
1	1	MMJ-10507	WELDMENT, SERVICE PLATFORM CONTROL PANEL
2	1	MMXR-P114	VALVE, SOLENOID
3	1	MMXR-P109	TUBE, 10MM OD X 185MM LG.
4	1	MMXR-P206	ELECTRICAL ENCLOSURE, SMALL
5	5	MMXR-P208	CORD GRIP, 9MM
6	1	MMXR-P204	COVER, FORWARD/REVERSE DIRECTIONAL SWITCH
7	1	MMXR-P203	SWITCH, FORWARD/REVERSE DIRECTIONAL
8	1	MMXR-P205	GASKET, DIRECTIONAL SWITCH
9	4	MMXR-P404	SCREW, HEX, M4 X 15, SS
10	1	MMXR-P207	ENCLOSURE, ELECTRICAL
11	1	MMXR-P202	POWER CORD, WITH GFCI, 14/3 X 36"L
12	1	MMXR-P215	CABLE ASSEMBLY, CONNECTION BETWEEN ELECTRICAL BOXES
13	4	MMXR-P403	SCREW, SOCKET HEAD, M4 X .7 X 25, SS
14	1	MMXR-P209	MOTOR, AUGER DRIVE
15	1	MMJ-10504	MAIN BODY WELDMENT
16	4	MMXR-P412	NYLOCK NUT AND WASHER, M6, 18-8 SS
17	2	MMXR-P411	HEX NUT, M6, SS
18	1	MMXR-P111	GROMMET, 15MM ID FOR 18MM HOLE
19	1	MMXR-P114-2	GROUNDING WIRE, SOLENOID
20	1	50179	WIRE, SWITCH JUMPER

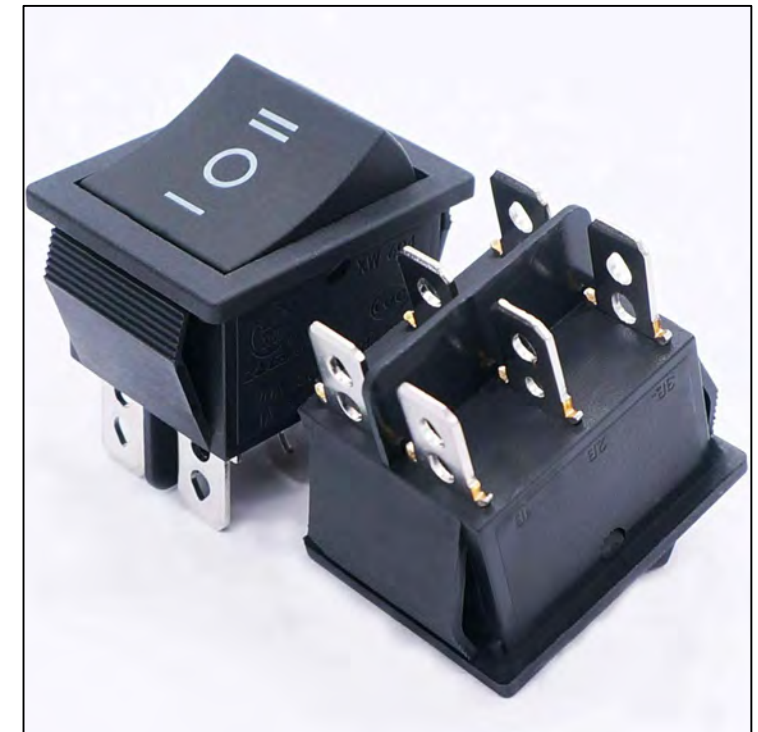
NOTES:

1. ONLY USE FULLY INSULATED FEMALE QUICK DISCONNECT TERMINALS.
2. ALL SPARES SHALL BE IDENTIFIED WITH LABEL AND ENDS TAPED OR INSULATED.
3. SPARE WIRE LABELS SHALL BE SECURED SO THEY DO NOT SLID OFF.
4. WIRES SHOULD HAVE NO TENSION.


SSS				
ZONE	REV.	DESCRIPTION	DATE	APPROVED
	0	AS-BUILT RE-CREATION RELEASE PER DRD-220601	07/28/22	



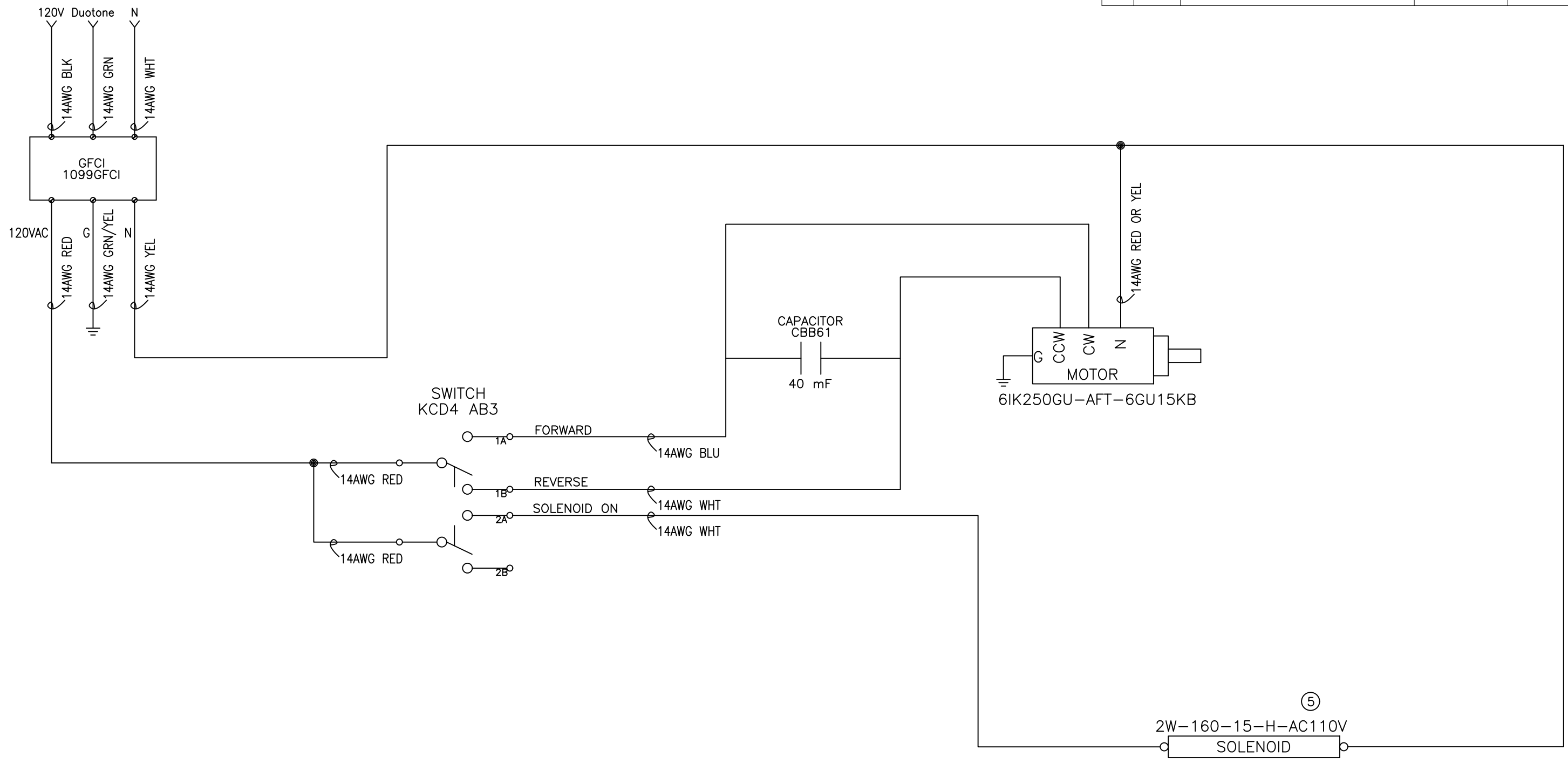
KCD4 AB3



PROPRIETARY AND CONFIDENTIAL
 THE INFORMATION CONTAINED IN THIS DRAWING IS THE SOLE PROPERTY OF MUDMIXER. ANY REPRODUCTION IN PART OR AS A WHOLE WITHOUT THE WRITTEN PERMISSION OF MUDMIXER IS PROHIBITED.

		UNLESS OTHERWISE SPECIFIED	NAME	DATE		
		DIMENSIONS ARE IN INCHES	DRAWN	AA		TITLE: MUDMIXER 120VAC SWITCH WIRING
		TOLERANCES:	CHECKED			
		FRACTIONAL ±	ENG APPR.			
		ANGULAR: MACH ± BEND ±1.0°	MFG APPR.		Q.A.	
		TWO PLACE DECIMAL ±0.03			COMMENTS:	
		THREE PLACE DECIMAL ±0.015				
		FOUR PLACE DECIMAL ±0.003				
		INTERPRET GEOMETRIC TOLERANCING PER ASME Y14.5				
	MUDMIXER	MATERIAL			SIZE DWG. NO. US07282022	
		SEE PARTS LIST			REV 0	
NEXT ASSY	USED ON	FINISH			SCALE: 1:1	
		SEE NOTES			WEIGHT:	
APPLICATION		DO NOT SCALE DRAWING			SHEET 1 OF 1	

SSS				
ZONE	REV.	DESCRIPTION	DATE	APPROVED
	0	AS-BUILT RE-CREATION RELEASE PER DRD-220601	08/01/22	



- NOTES:
1. MOTOR SHALL BE WIRED TO THE GROUND POINT
 2. SOLENOID VALVE SHALL BE WIRED TO THE GROUND POINT
 2. ALL SPARES SHALL BE IDENTIFIED WITH LABEL AND ENDS TAPED OR INSULATED.
 3. SPARE WIRE LABELS SHALL BE SECURED SO THEY DO NOT SLID OFF.
 4. WIRES SHOULD HAVE NO TENSION.
 5. SOLENOID YELLOW WIRE HAS CONNECTOR IN SWITCH BOX

PROPRIETARY AND CONFIDENTIAL
 THE INFORMATION CONTAINED IN THIS DRAWING IS THE SOLE PROPERTY OF MUDMIXER. ANY REPRODUCTION IN PART OR AS A WHOLE WITHOUT THE WRITTEN PERMISSION OF MUDMIXER IS PROHIBITED.

		UNLESS OTHERWISE SPECIFIED		NAME	DATE		
		DIMENSIONS ARE IN INCHES		DRAWN	AA		TITLE: MUDMIXER 120VAC SCHEMATICS
		TOLERANCES:		CHECKED			
		FRACTIONAL ± ANGULAR: MACH ± BEND ±1.0° TWO PLACE DECIMAL ±0.03 THREE PLACE DECIMAL ±0.015 FOUR PLACE DECIMAL ±0.003		ENG APPR.			
		INTERPRET GEOMETRIC TOLERANCING PER ASME Y14.5		MFG APPR.		Q.A.	
		MATERIAL		COMMENTS:		SIZE DWG. NO. US08022022	
		FINISH				REV 0	
NEXT ASSY	USED ON	SEE NOTES				SCALE: 1:1	
APPLICATION		DO NOT SCALE DRAWING				WEIGHT:	
						SHEET 1 OF 1	