



SPARE PARTS MANUAL

Flextool 212 Flexshaft Pump Series P212G – P212A – P212C



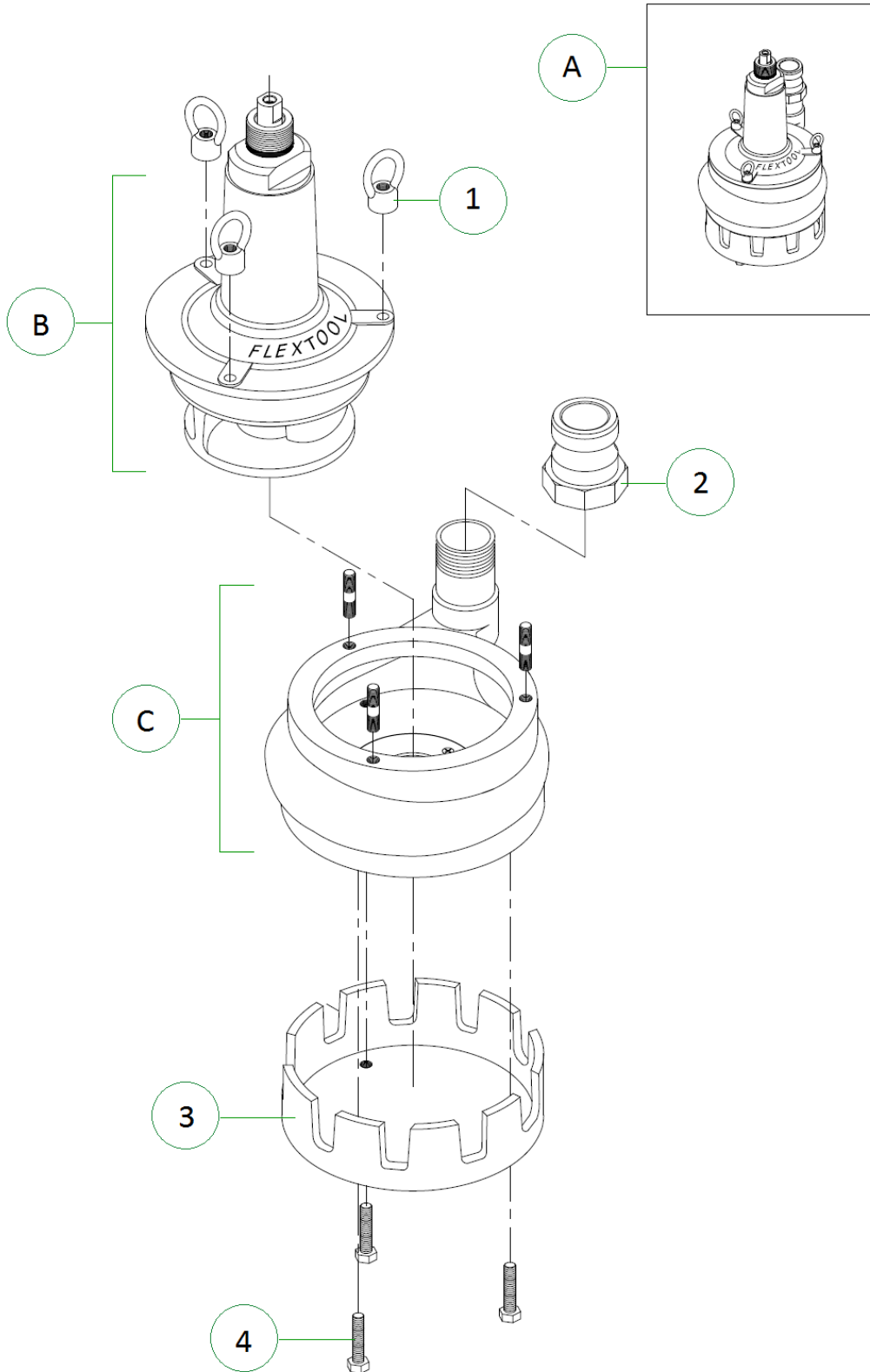
(All Models)

P212G Series – F01836 – F01836EX – F01836H – F02255 – F02488 – F06468

P212A Series – F02489 - F02489H – F02489EX – F09030

P212C Series – F09018 – F01310

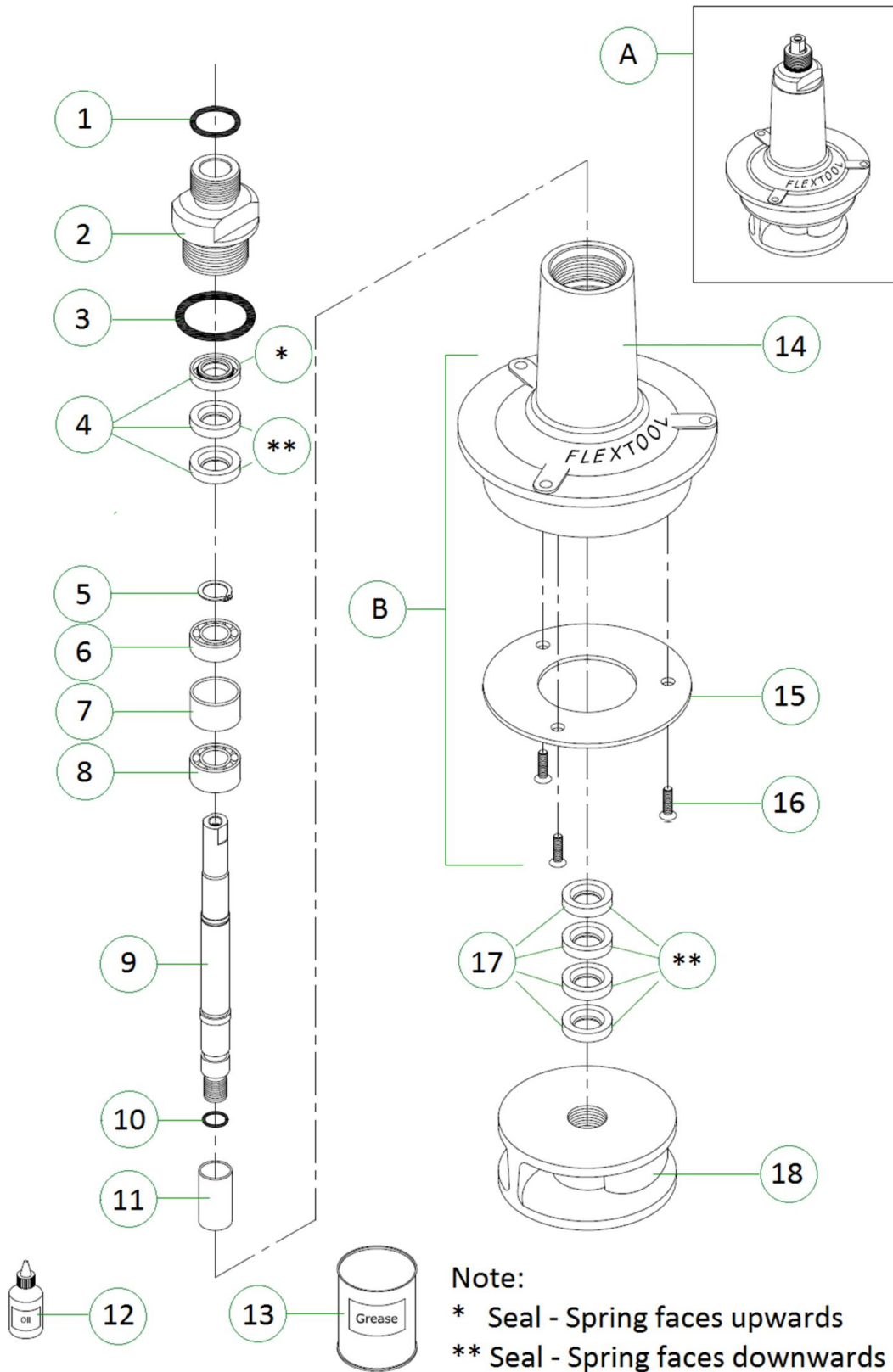
Pump Head – Complete Assembly (All Types)



Pump Head – Complete Assembly (All Types)

Item No.	Product Code	Description	Qty	Remarks
A	F06127	Pump Head Assy	1	Suits all P212G (General Purpose)
	F08495	Pump Head Assy	1	Suits all P212A (Abrasion Resistant)
	F09701	Pump Head Assy	1	Suits all P212C (Chemical Resistant)
B	F08498	Pump Head Top Assy – Cast Aluminium	1	Suits all P212G & P212A
	F09791	Pump Head Top Assy – Cast Iron	1	Suits all P212C
C	F06255	Pump Body Assy – Cast Aluminium	1	Suits all P212G
	F08496	Pump Body Assy – Cast Iron	1	Suits all P212A & P212C
1	F06170	Eye Nut – 0.375" BSW	3	
2	F07469	Camlock Adaptor – 633A/A1 – 2"	1	Suits all P212G & P212A Only
3	F06169	Strainer	1	Suits all P212G & P212A
	F09522	Strainer	1	Suits all P212C
4	F06902	Bolt – Hex 0.375" BSW x 2.5" Long	3	

Pump Head – Top Assy (All Types)



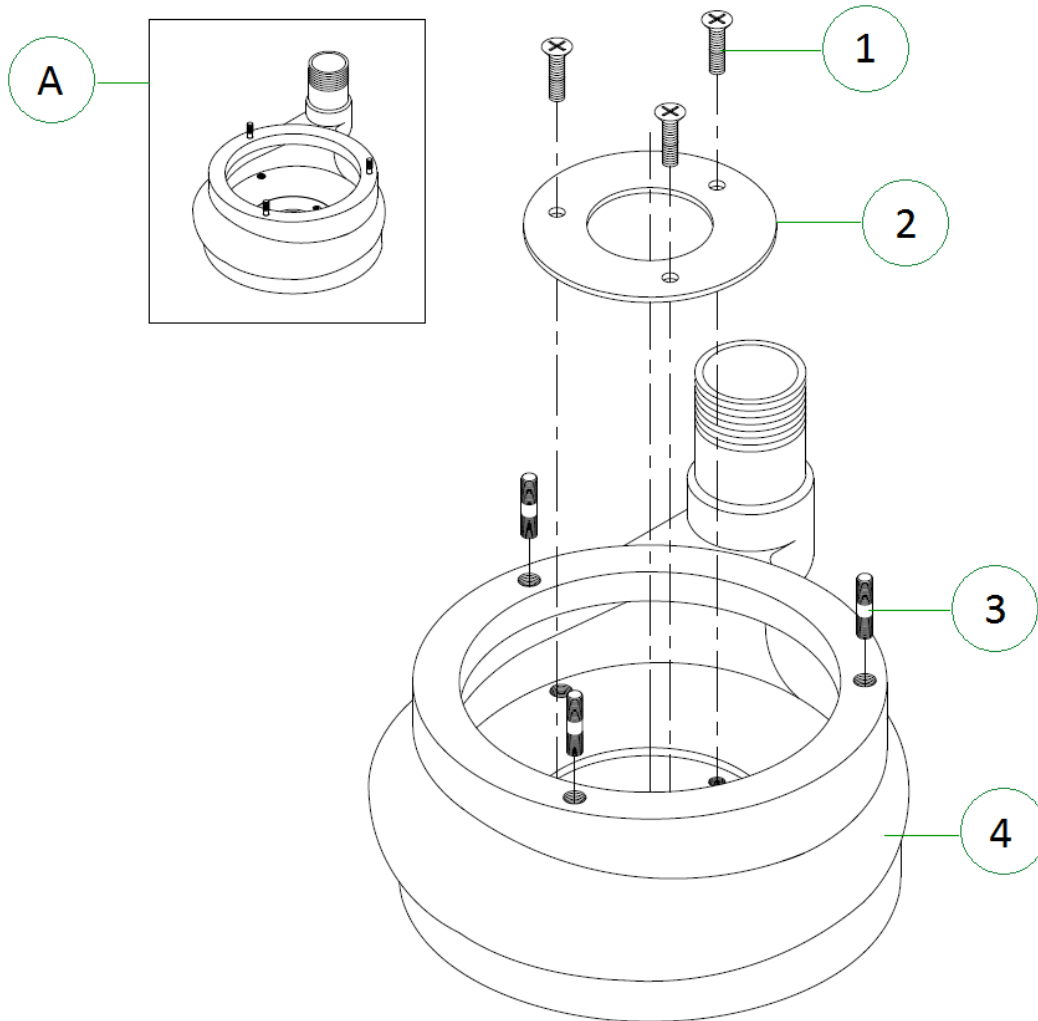
Pump Head – Top Assy (All Types)

Item No.	Product Code	Description	Qty	Remarks
A	F08498	Pump Head Top Assy – Cast Aluminium	1	Suits all P212G & P212A
		Pump Head Top Assy – Cast Iron (F09791)	1	Use F09701 (Page 2 / Item A)
B	F06128	Housing Assy – Cast Aluminium	1	Suits P212G & P212A Includes items 14,15,16
	F02229	Housing Assy – Cast Iron	1	Suits P212C Includes items 14,15,16
1		O-Ring – 1.049" x 0.103" (F07502)	1	Use F08541 (Service Kit)
2	F06131	Adaptor – Housing	1	
3		O-Ring – 1.687" x 0.139" (F06490)	1	Use F08541 (Service Kit)
4		Seal – 0/75" x 1.25" x 0.25" (F04230)	3	Use F08541 (Service Kit)
5		Circlip – External – 20mm (F04504)	1	Use F08541 (Service Kit)
6		Bearing – 20mm x 47mm x 14mm (NSK 6204CM) (F06135)	1	Use F08541 (Service Kit)
7	F06130	Spacer	1	
8		Bearing – 20mm x 47mm x 20.6mm – (2-Row) (NACHI 5204) (F06180)	1	Use F08541 (Service Kit)
9	F08489	Spindle	1	
10		O-Ring – 0.626" x 0.103" (F08491)	1	Use F08541 (Service Kit)
11		Sleeve (F08490)	1	Use F08541 (Service Kit)
12		Oil Tellus (F06700)		
13		Grease – Alvania EP (LF) 2 (F05968)		
14		Housing – Cast Aluminium (F06502)	1	Use F06128 (Item B) Suits all P212G & P212A
		Housing – Cast Iron (F09774)	1	Use F02229 (Item B) Suits all P212C
15		Plate – Housing (F08248)	1	Use F06128 or F02229 (Item B)
16		Screw – CSK Hd 0.25" BSP x 0.375" Philip (F08319)	3	Use F06128 or F02229 (Item B)
17		Seal – 1" x 1.625" x 0.375" (F08494)	4	Use F08541 (Service Kit)
18	F06476	Impeller – Cast Iron	1	

Service Kit

Item No.	Product Code	Description	Qty	Remarks
	F08541	Service Kit – Housing Assy (Bearings & Seals)	1	Includes items – 1,3,4,5,6,8,10,11,17

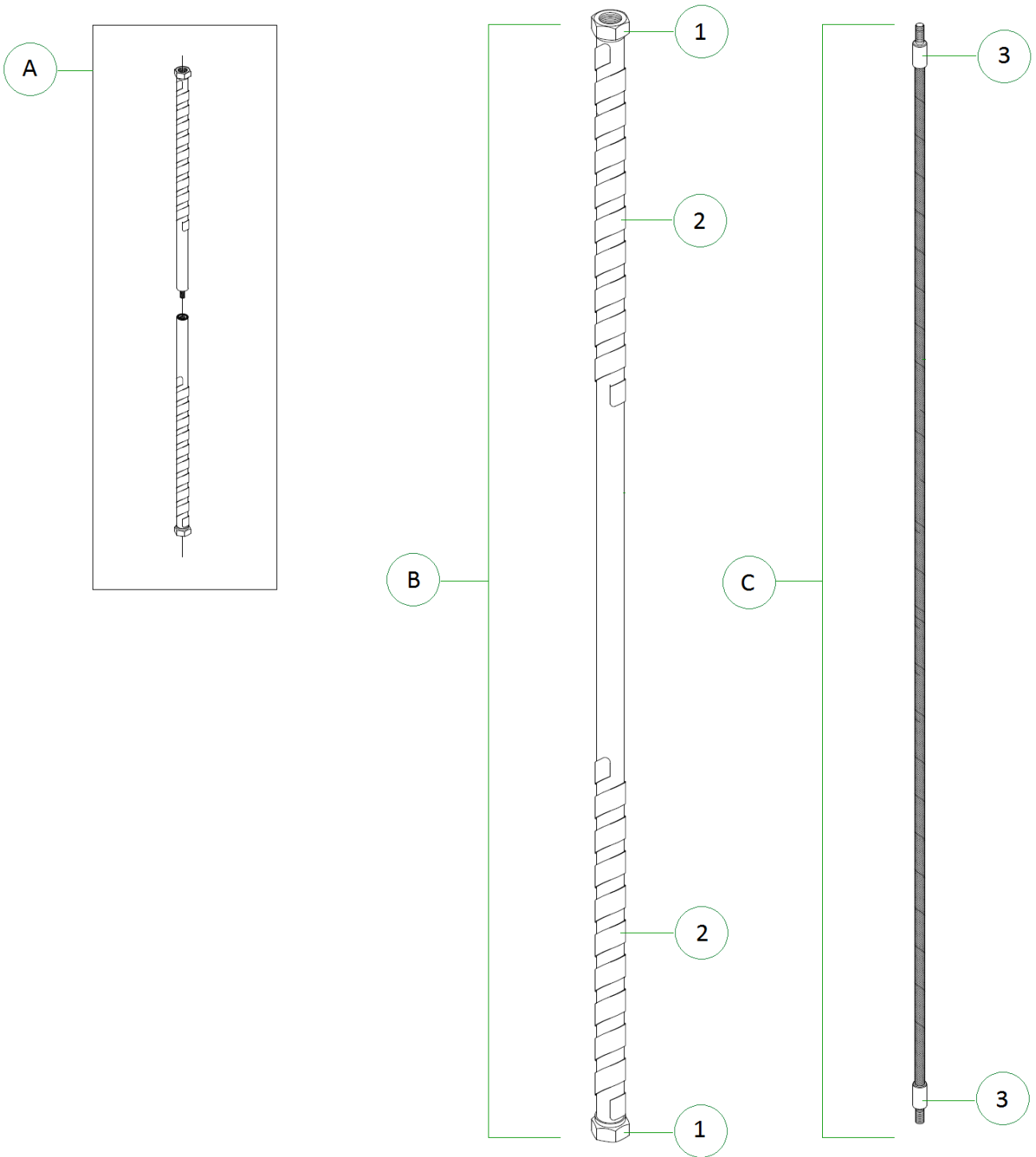
Pump Head – Body Assy (All Types)



Pump Head – Body Assy (All Types)

Item No.	Product Code	Description	Qty	Remarks
A	F06255	Pump Body Assy – Cast Aluminium	1	Suits all P212G
	F08496	Pump Body Assy – Cast Iron	1	Suits all P212A & P212C
1		Screw – CSK Hd 0.25" BSP x 0.375" Philip (F08319)	3	Use F06255 (Item A) Not used on Cast Iron Pump Body
2		Plate – Pump Body (F06444)	1	Use F06255 (Item A) Not used on Cast Iron Pump Body
3	F06303	Stud – 0.375" DSW x 1.5" (Stainless Steel)	3	
4		Body – Cast Aluminium (F06136)	1	Use F06255 (Item A) Suits all P212G
		Body – Cast Iron (F08497)	1	Use F08496 (Item A) Suits all P212A & P212C

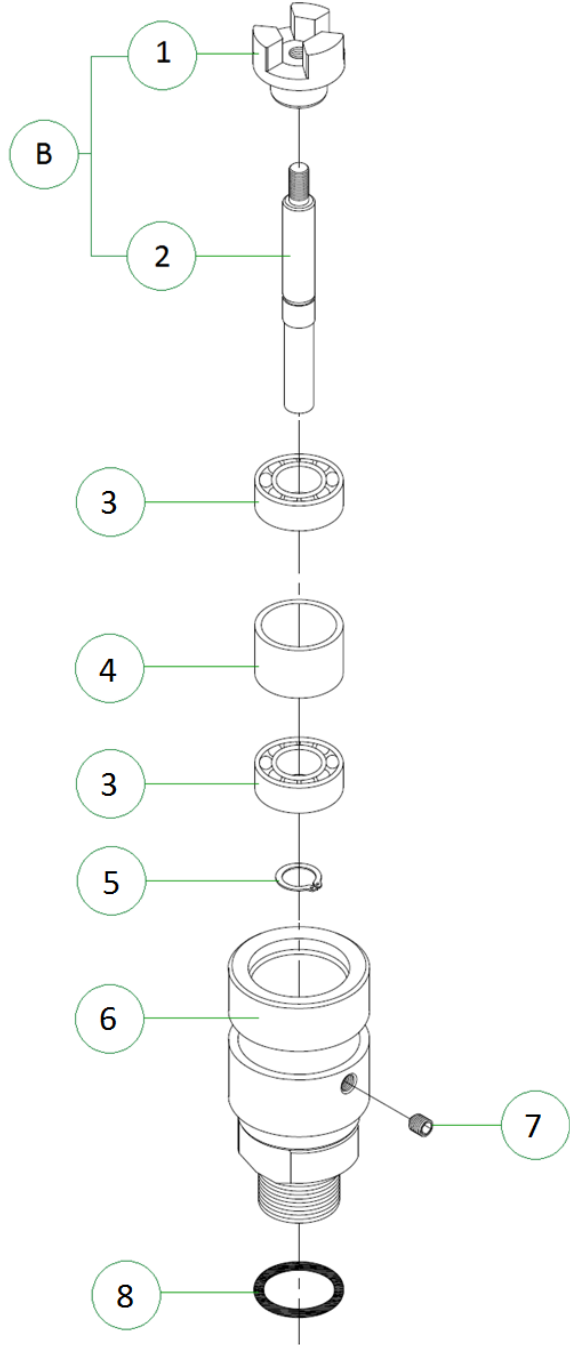
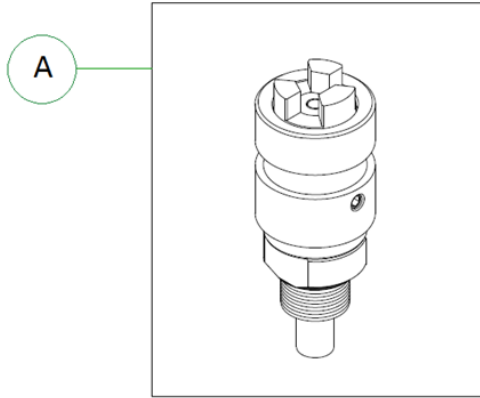
Flexshaft (All Types)



Flexshaft (All Types)

Item No.	Product Code	Description	Qty	Remarks
A	F01970	Flexshaft Assy - P212-6m x 32mm	1	Suits P212G 6m long x 32mm casing diameter Includes items B,C
	F02256	Flexshaft Assy - P212-9m x 32mm	1	Suits P212G 9m long x 32mm casing diameter Includes items B,C
	F02614	Flexshaft Assy - P212-6m x 38mm	1	Suits P212A & P212C 6m long x 38mm casing diameter Includes items B,C
	F06469	Flexshaft Assy - P212-9m x 38mm	1	Suits P212A & P212C 9m long x 38mm casing diameter Includes items B,C
B	F01835	Casing Assy - P212-6m x 32mm (uses 2708)	1	Suits P212G 6m long x 32mm casing diameter Includes items 1,2
	F02257	Casing Assy - P212-9m x 32mm (uses 2202)	1	Suits P212G 9m long x 32mm casing diameter Includes items 1,2
	F02484	Casing Assy - P212-6m x 38mm (uses 2409)	1	Suits P212A & P212C 6m long x 38mm casing diameter Includes items 1,2
	F02838	Casing Assy - P212-9m x 38mm (uses 2641)	1	Suits P212A & P212C 9m long x 38mm casing diameter Includes items 1,2
C	F04733	Inner Core Assy – 6m x 13mm (uses 2847)	1	Suits P212G 6m long x 13mm core diameter Includes items 1,2
	F07465	Inner Core Assy – 9m x 13mm (uses 2852)	1	Suits P212G 9m long x 13 mm core diameter Includes items 1,2
	F02491	Inner Core Assy – 6m x 15mm (uses 2456)	1	Suits P212A & P212C 6m long x 15mm core diameter Includes core + item 3
	F02839	Inner Core Assy – 9m x 15mm (uses 3255)	1	Suits P212A & P212C 9m long x 15mm core diameter Includes core + item 3
1		Ferrule Assy – 32mm Diameter (F06937)	2	Use F01835 or F02257 (Item B) Suits all P212G
		Ferrule Assy – 38mm Diameter (F06171)	2	Use F02484 or F02838 (Item B) Suits all P212A & P212C
2		Outer Spring – 32mm x 380mm (F01703)	2	Use F01835 or F02257 (Item B) Suits all P212G
		Outer Spring – 38mm x 380mm (F06139)	2	Use F02484 or F02838 (Item B) Suits all P212A & P212C
3	F09065	Core End – 13mm ID – Male Thread	2	Suits all P212G
	F03042	Core End – 15mm Id – Male Thread	2	Suits all P212A & P212C

Coupling Assy (All Types)



Coupling Assy (All Types)

Item No.	Product Code	Description	Qty	Remarks
A	F06572	Coupling Assy - #2P	1	3-Tooth (Australian Style)
	F06572EX	Coupling Assy - #2P	1	2-Tooth (Export Style)
B	F06784	Spindle Assy - #2P	1	3-Tooth (Australian Style)
	F06784EX	Spindle Assy - #2P		2-Tooth (Export Style)
1		Drive Dog (F07920)	1	Use F06784 (Item B) 3-Tooth (Australian Style)
		Drive Dog (F07968)	1	Use F06784EX (Item B) 2-Tooth (Export Style)
2		Spindle - #2P (F07918)	1	Use F06784 or F06784EX (Item B)
3		Bearing – 20 x 42 x 12mm (NSK 6004DDUCM) (Sealed) (F06764)	2	Use F08411 (Service Kit)
4	F06782	Spacer - #2 Coupling P212	1	
5		Circlip – External - Diam 20mm (F04504)	1	Use F08411 (Service Kit)
6		Housing – Coupling P212 (F06575)	1	Use F08411 (Service Kit)
7	F04571	Grub Screw – 0.312" x 0.312" BSW	1	
8	F07502	O-Ring – 1.049" x 0.103"	1	(Included in F08411 Service Kit)

Service Kit

Item No.	Product Code	Description	Qty	Remarks
	F08411	Service Kit Coupling Assy	1	Includes items 3,5,8