



Click Here To View  
Item at

[www.GapPower.com](http://www.GapPower.com)

*Sales • Rentals  
Parts & Service*

# DefendAir Hepa 500

(Models: F284,F284-BUR,F284-HE,F284-SM,F284-SP,F284-PR, F284-YEL,F284-230V,F284-230V UK)

## Symbol Definition

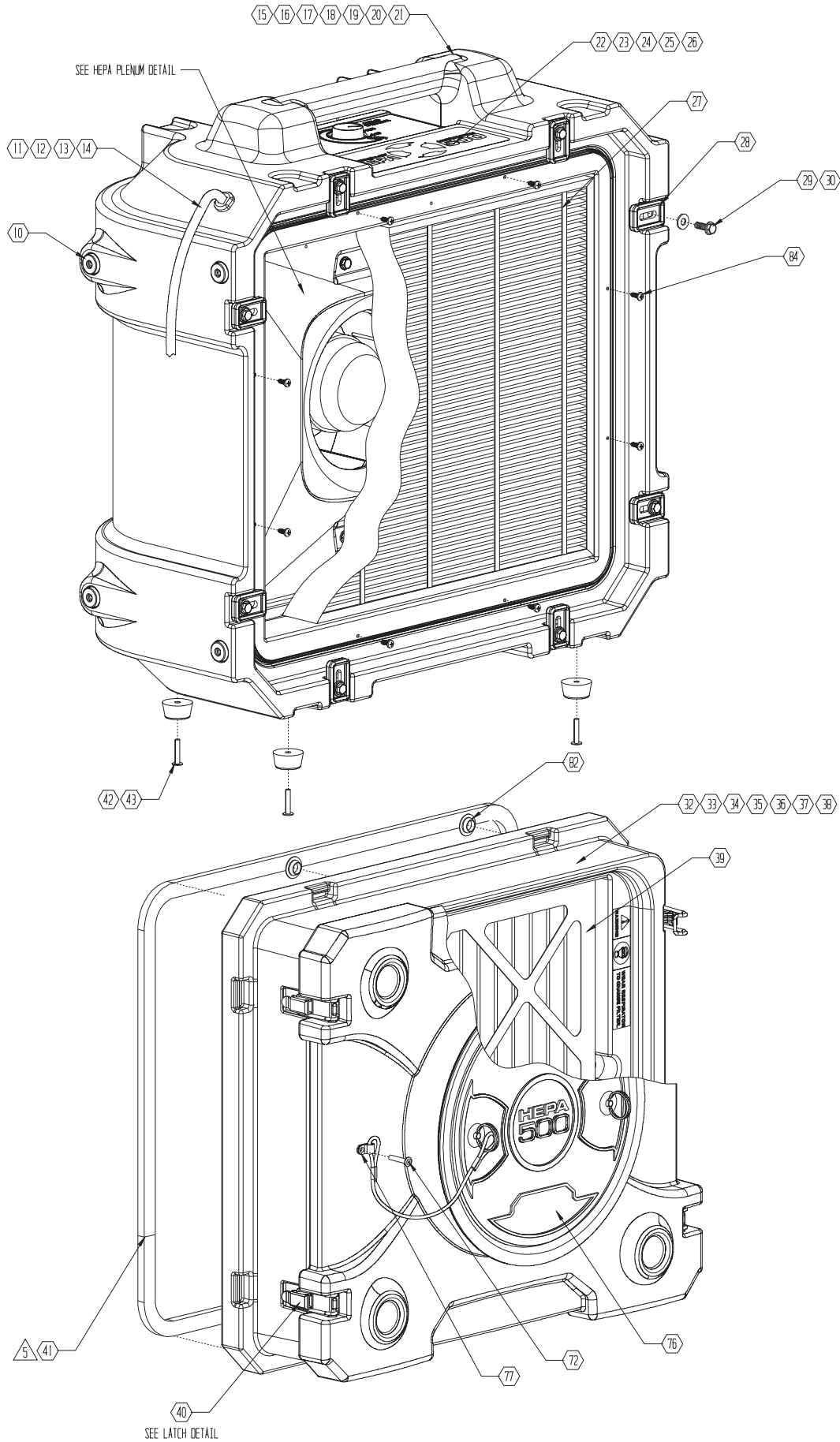
- \* - multiple components to choose from for different models: voltage, size, color, etc.
- + - if you order this item, you may need to order additional items marked with same number of +'s in order to upgrade or complete repair

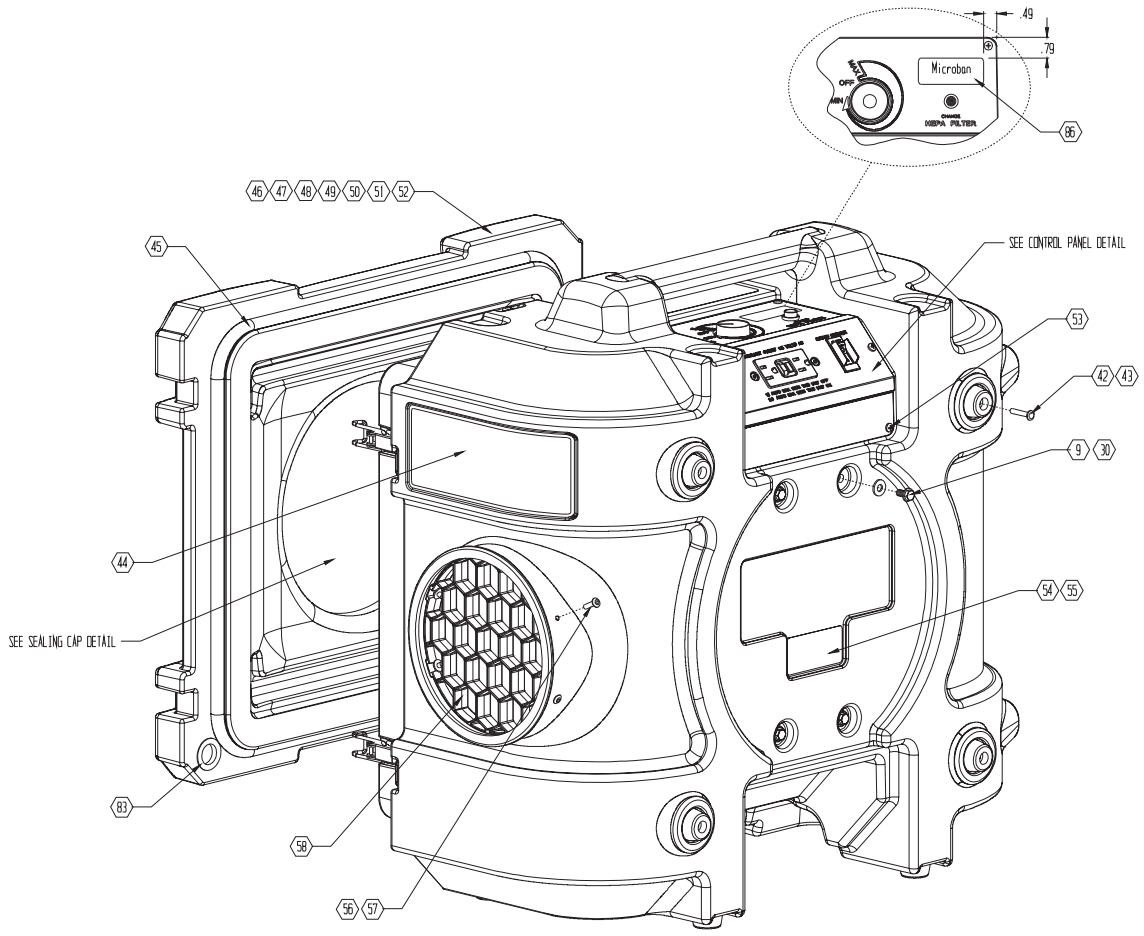
Find #	Part Description	Part #	Qty
1	SCREW-M6X10MM PHP ZP	03-00198	Ea. 4
11	STRAIN RELIEF-TUBODRYER	02-00005	Ea. 1
	CONNECTOR-QC .250 MALE FULLY INSUL 22/18/ GA	02-00033	Ea. 2
71	TERMINAL BLOCK-4X4	02-00078	Ea. 1
	WIRE - WHITE 14GA AWM 105 C 600V	02-00101	Ea. 0.66
	WIRE BLACK 14GA AWM 105 C 600V	02-00102	Ft. 1.50
	WIRE GREEN 14GA AWM 105 C 600V	02-00103	Ft. 1.00
	WIRE WHITE 18GA AWM 105 C 600V	02-00104	Ft. 0.75
	WIRE BLACK 18GA AWM 105 C 600V	02-00105	Ft. 1.58
	CONNECTOR - QC .250 FEM FULLY INSUL 16/14 GA	02-00135	Ea. 4
62	CAPACITOR-20MFD 370V 1.75 DIA ROUND W/MTG BRKT	02-00217	Ea. 1
2	BLOWER ASSY - MOTORIZED IMPELLER 115V 240W 2840	02-00268	Ea. 1
67	LIGHT-INDICATOR 125V NEON RED DEFENAIR	02-00269	Ea. 1
75	SWITCH-PRESSURE DIFFERENTIAL 1.0 IN H2O	02-00270	Ea. 1
66	KNOB-SWITCH DEFENDAIR	02-00275	Ea. 1
3	BLOWER ASSY - MOTORIZED IMPELLER 230V 251W 2800	02-00277	Ea. 1
81	LIGHT - INDICATOR 230 V	02-00279	Ea. 1
	CONNECTOR - QC .187 FEM INSUL 18/22 GA	02-00282	Ea. 2
	CONNECTOR - RING # 10 INSUL 16/14 GA	02-00516	Ea. 2
	CONNECTOR - QC .250 MEL FULLY INSUL 16/14 GA	02-00965 A	Ea. 1
	CONNECTOR - QC .250 FEM FULLY INSUL 22/18 GA	02-01117	Ea. 6
65	RECEPTACLE-COMMERCIAL 15A W/ GFCI	02-01472	Ea. 1
68	CIRCUIT BREAKER-15A W/ SWITCH	02-01473	Ea. 1
	CONNECTOR - SPRING SPADE # 8 SHORT INSUL GRIP 16/14	02-01475	Ea. 3
87	FITTING - CONNECTOR 1/2 CONDUIT NIPPLE DIE CAST SINC	02-01478	Ea. 1
73	SWITCH-ASSY-VARIABLE SPD TRIAC 115V DEFENAIR A	02-01480	Ea. 1
80	SWITCH ASSY - 230 V VARIAABLE SPD TRIAC	02-01481	Ea. 1
90	FILTER - POWER LINE RFI 115/230 V	02-01482	Ea. 1
30	WASHER-1/4" RIVET .261DX.500DX.06 ZP	03-00001	Ea. 16
85	CABLE TIE-NYLON 4"	03-00012	Ea. 2
57	WASHER-3/16 RIVET.19IDX.47ODX.05ZP	03-00013	Ea. 4
56	RIVET-3/16 BLK ANODIZE AAP 6-8	03-00030	Ea. 4
69	NUT-W/STAR WASHER 10-24 ZP	03-00038	Ea. 4
70	BUSHING-.671 IDX.875X.41 NYLON BLK	03-00126	Ea. 1
42	FOOT-ROUND 3/16 IDX1.25ODX 5/8 SANIPRENE R-S/B	03-00131	Ea. 8
10	FOOT-ROUND PUSH MOUNT .83ODX.24 RUBBER BLK	03-00202	Ea. 4
43	RIVET - 3/16 x 5/8 TRI FOLD AL/AL	03-00204	Ea. 4
29	SCREW- 1/4-20 X 3/8 HWH W/ SER HWH ZP	03-00205	Ea. 8
72	RIVET-3/16X3/8 TRI FOLD AL/AL	03-00207	Ea. 9
9	SCREW-1/4X20X1/2 SER HWH NYLOC ZP	03-00209	Ea. 8
61	RIVET - 5/32 X 1/4 AL/AL	03-00211	Ea. 2
74	SCREW-PAN HD PHIL #6 ZINC PLATED,SMS	03-00566	Ea. 2
89	RIVET-1/8 X1/8 AL/AL	03-00901	Ea. 4
60	WASHER-RIVET 5/32"	03-01333	Ea. 2
64	RIVET-5/32X1/2 AL/AL BLK ANOD	03-01367	Ea. 2
	RIVET-3/16X3/4 TRI FOLD AL/AL	03-01469	Ea. 8

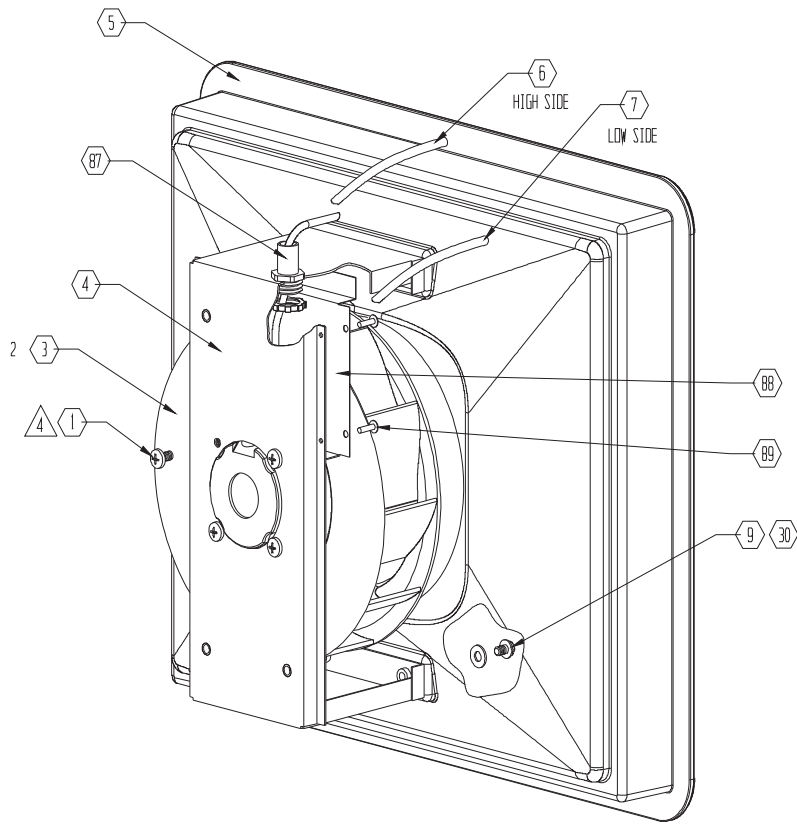
Find #	Part Description	Part #		Qty
53	SCREW-# 8X1/2 PHP ZP BLK	03-01474	Ea.	6
41	GASKET- .62X.375 EPDM PSA (76.5")	03-01485	Ft.	6.55
	NUT - 1/4 X 20 X .5 INSERT 1/2 HEX BLIND ALUM	03-01486	Ft.	8
77	CLAMP-CABLE.38 WIDEX.25 ID NYLON BLK	03-01488	Ea.	1
82	CAP-BOTTOM.62DIA X.10 POLYTHYLENE	03-01490	Ea.	3
83	CAP-BOTTOM.88DIA X.10 POLYTHYLENE	03-01491	Ea.	1
84	SCREW - # 6 1/2 AB PHP ZP	03-01492	Ea.	8
	GASKET - .375 X .187 EPDM PSA	03-01493	In.	67"
31	WASHER - 1/2 INTERNAL TOOTH COPPER	03-01499	Ea.	1.00
40	LATCH - PULL DOWN CLAMP 3 HOLE SS	03-01501	Ea.	4
	BOX - SHIPPING PLAIN	06-01465	Ea.	1
55	LABEL - MODEL/SERIAL 230V	07-00161	Ea.	1.00
54	LABEL - MODEL/SERIAL UL/CUL115V DEFENDAIR	07-00414	Ea.	1
22	LABEL - PRODUCT AIRSCRUBBER DEFENDAIR 500 HEPA C	07-01487	Ea.	1
44	LABEL - WARNING/OSHA AIRSCRUBBER DEFENDAIR HEPA 500	07-01488	Ea.	1
	MANUAL - OWNERS 115 V - W / WARRANTY	07-01489	Ea.	1
23	LABEL - PRODUCT AIRSCRUBBER DEFENDAIR 500 SM	07-01492	Ea.	1
24	LABEL - PRODUCT AIRSCRUBBER DEFENDAIR 500 SP	07-01493	Ea.	1
26	LABEL - PRODUCT AIRSCRUBBER DEFENDAIR 500 HEYLO	07-01495	Ea.	1
	MANUAL - OWNERS 230 V	07-01496	Ea.	1
25	LABEL - PRODUCT - US PRODUCTS	07-01500	Ea.	1
86	LABEL-MICROBAN ANTIMICROBIAL PRODUCT	07-01501	Ea.	1
	INSERT - 230 V DECLARATION OF CONFORMITY	07-01503	Ea.	1
	LABEL - PRODUCT - 230 V	07-01519	Ea.	1
14	POWER CORD ASSY - 230 V - 25 FT	08-00200	Ea.	1
13	POWER CORD ASSY - 230 V UK - 25 FT	08-00201	Ea.	1
78	CAPACITOR ASSY - 5MFD 320 V	09-00012	Ea.	1
6	TUBING - 1/8 ID X 1/4 OD CLEAR (9")	13-00177	Ft.	0.75
7	TUBING - 1/8 ID X 1/4 OD CLEAR (11")	13-00177	Ft.	0.92
15	REAR - PANEL FISHER BLUE	13-01426S	Ea.	1
16	REAR - PANEL TEAL GRN	13-01426-01S	Ea.	1
17	REAR - PANEL TURF GRN	13-01426-02S	Ea.	1
18	REAR - PANEL BRIGHT YELLOW	13-01426-03S	Ea.	1
19	REAR - PANEL BURGUNDY RED	13-01426-04S	Ea.	1
20	REAR - PANEL ECONO BLK	13-01426-05S	Ea.	1
21	REAR - PANEL REIN ORG	13-01426-06S	Ea.	1
21	REAR - PANEL PEARL RED	13-01426-07S	Ea.	1
32	SHROUD - PREFILTER POLYETHYLENE FISHER BLUE	13-01427S	Ea.	1
33	SHROUD - PREFILTER POLYETHYLENE TEAL GRN	13-01427-01S	Ea.	1
34	SHROUD - PREFILTER POLYETHYLENE TURF GRN	13-01427-02S	Ea.	1
35	SHROUD - PREFILTER POLYETHYLENE BRIGHT YEL	13-01427-03S	Ea.	1
36	SHROUD - PREFILTER POLYETHYLENE BURGUNDY RED	13-01427-04S	Ea.	1
37	SHROUD - PREFILTER POLYETHYLENE ECONO BLK	13-01427-05S	Ea.	1
38	SHROUD - PREFILTER POLYETHYLENE REIN ORG	13-01427-06S	Ea.	1
38	SHROUD - PREFILTER POLYETHYLENE PEARL RED	13-01427-07S	Ea.	1
46	DOOR - INLET POLYETHYLENE FISHER BLU	13-01428S	Ea.	1
47	DOOR - INLET POLYETHYLENE TEAL GRN	13-01428-01S	Ea.	1
48	DOOR - INLET POLYETHYLENE TURF GRN	13-01428-02S	Ea.	1
49	DOOR - INLET POLYETHYLENE BRIGHT YEL	13-01428-03S	Ea.	1
50	DOOR - INLET POLYETHYLENE BURGUNDY RED	13-01428-04S	Ea.	1
51	DOOR - INLET POLYETHYLENE ECONO BLK	13-01428-05S	Ea.	1
52	DOOR - INLET POLYETHYLENE REIN ORG	13-01428-06S	Ea.	1
52	DOOR - INLET POLYETHYLENE PEARL RED	13-01428-07S	Ea.	1
58	GRILL - OUTLET ABS BLK CADR	13-01429	Ea.	1
5	PLENUM - HEPA ABS BLK CADR	13-01430	Ea.	1
28	CLIP - RETAINING NYLON BLK DEFENDAIR HEPA 500	13-01431	Ea.	8

Find #	Part Description	Part #		Qty
63	PANEL - CONTROL 3pc 5V ABS BLK CADR	13-01432	Ea.	1
4	BLOWER MOUNT - 16 GA GALV STL	13-01434	Ea.	1
59	ELECTRICAL BOX - GALV STL	13-01435	Ea.	1
	WIRING HARNESS - 115 V	13-01436		1
45	SEAL - DOOR .50 OD X .06 WALL X 64 L SIL RBR	13-01437		
76	CAP ASSY - DUCT 10.4 DIA EVA FOAM	13-01438	Ea.	1
79	PANEL - CONTROL 230 V	13-01440-01	Ea.	1
	WIRING HARNESS - 230 V	13-01441S		1
88	SHIELD - MOTOR WIRE ZP STL	13-01444	Ea.	1
12	POWER CORD ASSY- 115V - 14/3 SJTW 5-15P 25 FT	13-01457	Ea.	1
27	FILTER - HEPA	Call sales		

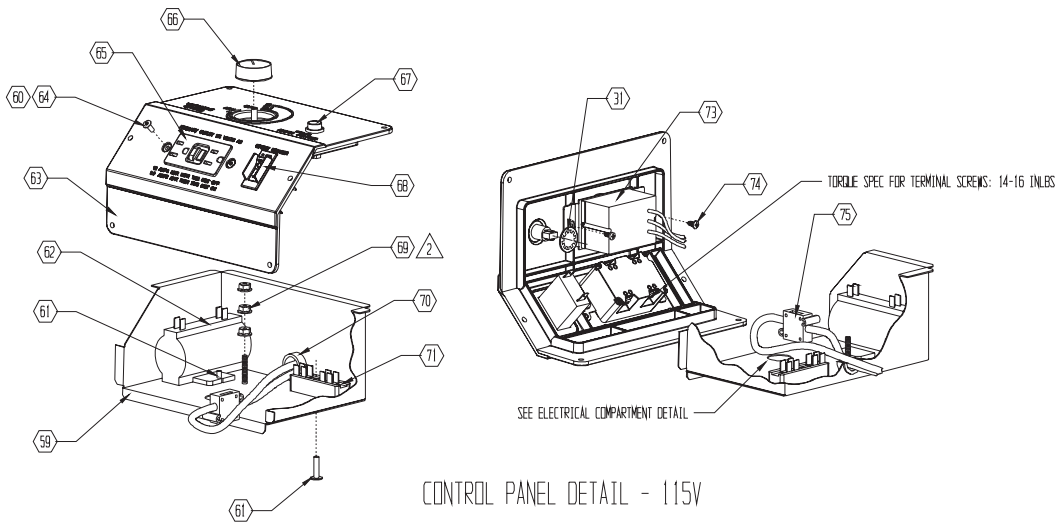
# DefendAir Hepa 500 Pictorial Drawing



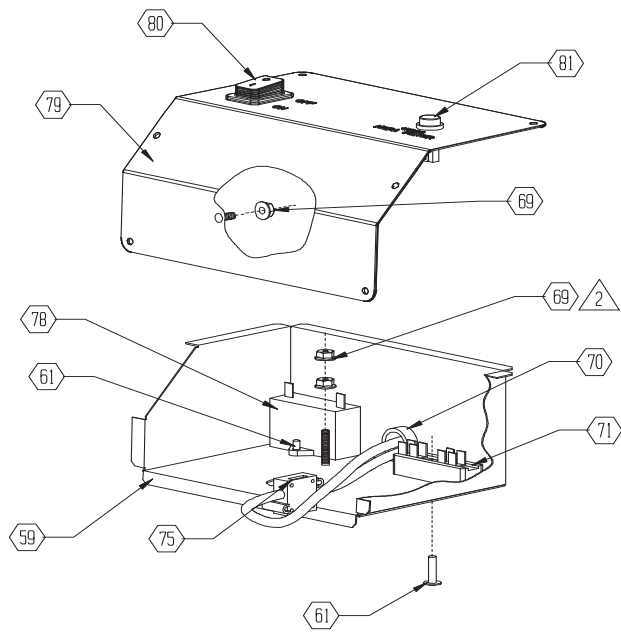




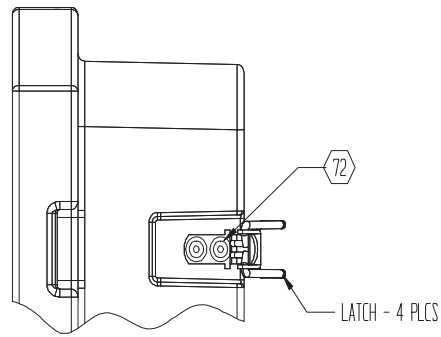
HEPA PLENUM DETAIL



CONTROL PANEL DETAIL - 115V



CONTROL PANEL DETAIL - 230V



LATCH DETAIL (1.50 X SCALE)