

PORTER CABLE®

DRYWALL SANDER

PONCEUSE DE MURS SECS

**LIJADORA PARA
PAREDES EN SECO**

Instruction manual
Manuel d'instructions
Manual de instrucciones

Français : Page 15
Español: Página 30

www.portercable.com

INSTRUCTIVO DE OPERACIÓN, CENTROS
DE SERVICIO Y PÓLIZA DE GARANTÍA.

⚠ ADVERTENCIA: LÉASE ESTE INSTRUCTIVO
ANTES DE USAR EL PRODUCTO.



7800
7801

TABLE OF CONTENTS

SAFETY GUIDELINES- DEFINITIONS	2
GENERAL POWER TOOL SAFETY WARNINGS	2
ADDITIONAL SPECIFIC SAFETY RULES.....	4
ADDITIONAL SAFETY RULES FOR PAINT REMOVAL	7
ASSEMBLY	8
OPERATION	8
MAINTENANCE	12
SERVICE	13
ACCESSORIES	14
WARRANTY	14
FRANÇAIS	15
ESPAÑOL	30

SAFETY GUIDELINES - DEFINITIONS

⚠ DANGER: indicates an imminently hazardous situation which, if not avoided, **will** result in **death or serious injury**.

⚠ WARNING indicates a potentially hazardous situation which, if not avoided, **could** result in **death or serious injury**.

⚠ CAUTION indicates a potentially hazardous situation which, if not avoided, **may** result in **minor or moderate injury**.

NOTICE : used without the safety alert symbol indicates potentially hazardous situation which, if not avoided, **may** result in **property damage**.



⚠ WARNING To reduce the risk of injury, read the instruction manual.

GENERAL POWER TOOL SAFETY WARNINGS

⚠ WARNING **Read all safety warnings and all instructions** Failure to follow the warnings and instructions may result in electric shock, fire and/or serious injury.

SAVE ALL WARNINGS AND INSTRUCTIONS FOR FUTURE REFERENCE

The term “power tool” in the warnings refers to your mains-operated (corded) power tool or battery-operated (cordless) power tool.

1) WORK AREA SAFETY

- Keep work area clean and well lit.** Cluttered or dark areas invite accidents.
- Do not operate power tools in explosive atmospheres, such as in the presence of flammable liquids, gases or dust.** Power tools create sparks which may ignite the dust or fumes.

- c) **Keep children and bystanders away while operating a power tool.** Distractions can cause you to lose control.

2) ELECTRICAL SAFETY

- a) **Power tool plugs must match the outlet. Never modify the plug in any way. Do not use any adapter plugs with earthed (grounded) power tools.** Unmodified plugs and matching outlets will reduce risk of electric shock.
- b) **Avoid body contact with earthed or grounded surfaces such as pipes, radiators, ranges and refrigerators.** There is an increased risk of electric shock if your body is earthed or grounded.
- c) **Do not expose power tools to rain or wet conditions.** Water entering a power tool will increase the risk of electric shock.
- d) **Do not abuse the cord. Never use the cord for carrying, pulling or unplugging the power tool. Keep cord away from heat, oil, sharp edges or moving parts.** Damaged or entangled cords increase the risk of electric shock.
- e) **When operating a power tool outdoors, use an extension cord suitable for outdoor use.** Use of a cord suitable for outdoor use reduces the risk of electric shock.
- f) **If operating a power tool in a damp location is unavoidable, use a ground fault circuit interrupter (GFCI) protected supply.** Use of a GFCI reduces the risk of electric shock.

3) PERSONAL SAFETY

- a) **Stay alert, watch what you are doing and use common sense when operating a power tool. Do not use a power tool while you are tired or under the influence of drugs, alcohol or medication.** A moment of inattention while operating power tools may result in serious personal injury.
- b) **Use personal protective equipment. Always wear eye protection.** Protective equipment such as dust mask, non-skid safety shoes, hard hat, or hearing protection used for appropriate conditions will reduce personal injuries.
- c) **Prevent unintentional starting. Ensure the switch is in the off position before connecting to power source and/or battery pack, picking up or carrying the tool.** Carrying power tools with your finger on the switch or energizing power tools that have the switch on invites accidents.
- d) **Remove any adjusting key or wrench before turning the power tool on.** A wrench or a key left attached to a rotating part of the power tool may result in personal injury.
- e) **Do not overreach. Keep proper footing and balance at all times.** This enables better control of the power tool in unexpected situations.
- f) **Dress properly. Do not wear loose clothing or jewelry. Keep your hair, clothing and gloves away from moving parts.** Loose clothes, jewelry or long hair can be caught in moving parts.
- g) **If devices are provided for the connection of dust extraction and collection facilities, ensure these are connected and properly used.** Use of dust collection can reduce dust-related hazards.

4) POWER TOOL USE AND CARE

- a) **Do not force the power tool. Use the correct power tool for your application.** The correct power tool will do the job better and safer at the rate for which it was designed.
- b) **Do not use the power tool if the switch does not turn it on and off.** Any power tool that cannot be controlled with the switch is dangerous and must be repaired.

- c) **Disconnect the plug from the power source and/or the battery pack from the power tool before making any adjustments, changing accessories, or storing power tools.** Such preventive safety measures reduce the risk of starting the power tool accidentally.
- d) **Store idle power tools out of the reach of children and do not allow persons unfamiliar with the power tool or these instructions to operate the power tool.** Power tools are dangerous in the hands of untrained users.
- e) **Maintain power tools. Check for misalignment or binding of moving parts, breakage of parts and any other condition that may affect the power tool's operation. If damaged, have the power tool repaired before use.** Many accidents are caused by poorly maintained power tools.
- f) **Keep cutting tools sharp and clean.** Properly maintained cutting tools with sharp cutting edges are less likely to bind and are easier to control.
- g) **Use the power tool, accessories and tool bits, etc. in accordance with these instructions, taking into account the working conditions and the work to be performed.** Use of the power tool for operations different from those intended could result in a hazardous situation.

5) SERVICE

- a) **Have your power tool serviced by a qualified repair person using only identical replacement parts.** This will ensure that the safety of the power tool is maintained.

ADDITIONAL SPECIFIC SAFETY RULES

SAFETY WARNINGS COMMON FOR GRINDING, SANDING, WIRE BRUSHING, POLISHING OR ABRASIVE CUTTING-OFF OPERATIONS:

- a) **This power tool is intended to function as a sander.** Read all safety warnings, instructions, illustrations and specifications provided with this power tool. Failure to follow all instructions listed below may result in electric shock, fire and/or serious injury.
- b) **Operations such as polishing, grinding, wire brushing or cutting-off are not recommended to be performed with this power tool.** Operations for which the power tool was not designed may create a hazard and cause personal injury.
- c) **Do not use accessories which are not specifically designed and recommended by the tool manufacturer.** Just because the accessory can be attached to your power tool, it does not assure safe operation.
- d) **The rated speed of the accessory must be at least equal to the maximum speed marked on the power tool.** Accessories running faster than their RATED SPEED can break and fly apart.
- e) **The outside diameter and the thickness of your accessory must be within the capacity rating of your power tool.** Incorrectly sized accessories cannot be adequately guarded or controlled.
- f) **The arbor size of wheels, flanges, backing pads or any other accessory must properly fit the spindle of the power tool.** Accessories with arbor holes that do not match the mounting hardware of the power tool will run out of balance, vibrate excessively and may cause loss of control.
- g) **Do not use a damaged accessory.** Before each use inspect the accessory such as abrasive wheels for chips and cracks, backing pad for cracks, tear or excess wear, wire brush for loose or cracked wires. If power tool or accessory is dropped, inspect for damage or install an undamaged accessory. After inspecting and installing an accessory, position yourself and bystanders away from the plane of the rotating accessory and run the power tool at maximum no-load speed for one minute. Damaged accessories will normally break apart during this test time.

- h) **Wear personal protective equipment.** Depending on application, use face shield, safety goggles or safety glasses. As appropriate, wear dust mask, hearing protectors, gloves and workshop apron capable of stopping small abrasive or workpiece fragments. The eye protection must be capable of stopping flying debris generated by various operations. The dust mask or respirator must be capable of filtrating particles generated by your operation. Prolonged exposure to high intensity noise may cause hearing loss.
- i) **Keep bystanders a safe distance away from work area.** Anyone entering the work area must wear personal protective equipment. Fragments of workpiece or of a broken accessory may fly away and cause injury beyond immediate area of operation.
- j) **Hold power tool by insulated gripping surfaces only, when performing an operation where the cutting accessory may contact hidden wiring or its own cord.** Cutting accessory contacting a "live" wire may make exposed metal parts of the power tool "live" and shock the operator.
- k) **Position the cord clear of the spinning accessory.** If you lose control, the cord may be cut or snagged and your hand or arm may be pulled into the spinning accessory.
- l) **Never lay the power tool down until the accessory has come to a complete stop.** The spinning accessory may grab the surface and pull the power tool out of your control.
- m) **Do not run the power tool while carrying it at your side.** Accidental contact with the spinning accessory could snag your clothing, pulling the accessory into your body.
- n) **Regularly clean the power tool's air vents.** The motor's fan will draw the dust inside the housing and excessive accumulation of powdered metal may cause electrical hazards.
- o) **Do not operate the power tool near flammable materials.** Sparks could ignite these materials.
- p) **Do not use accessories that require liquid coolants.** Using water or other liquid coolants may result in electrocution or shock.

KICKBACK AND RELATED WARNINGS

Kickback is a sudden reaction to a pinched or snagged rotating wheel, backing pad, brush or any other accessory. Pinching or snagging causes rapid stalling of the rotating accessory which in turn causes the uncontrolled power tool to be forced in the direction opposite of the accessory's rotation at the point of the binding.

For example, if a backing pad is snagged or pinched by the workpiece, the edge of the pad that is entering into the pinch point can dig into the surface of the material causing the wheel to climb out or kick out. The wheel may either jump toward or away from the operator, depending on direction of the wheel's movement at the point of pinching.

Kickback is the result of power tool misuse and/or incorrect operating procedures or conditions and can be avoided by taking proper precautions as given below.

- a) **Maintain a firm grip on the power tool and position your body and arm to allow you to resist kickback forces.** Always use auxiliary handle, if provided, for maximum control over kickback or torque reaction during start-up. The operator can control torque reactions or kickback forces, if proper precautions are taken.
- b) **Never place your hand near the rotating accessory.** Accessory may kickback over your hand.
- c) **Do not position your body in the area where power tool will move if kickback occurs.** Kickback will propel the tool in direction opposite to the wheel's movement at the point of snagging.
- d) **Use special care when working corners, sharp edges etc.** Avoid bouncing and snagging the accessory. Corners, sharp edges or bouncing have a tendency to snag the rotating accessory and cause loss of control or kickback.

- e) **Do not attach a saw chain woodcarving blade or toothed saw blade.** Such blades create frequent kickback and loss of control.

SAFETY WARNINGS SPECIFIC FOR SANDING OPERATIONS:

- a) **Do not use excessively oversized sanding disc paper.** Follow manufacturer's recommendations when selecting sanding paper. Larger sanding paper extending beyond the sanding pad presents a laceration hazard and may cause snagging, tearing of the disc or kickback.
- **Air vents often cover moving parts and should be avoided.** Loose clothes, jewelry or long hair can be caught in moving parts.
- **An extension cord must have adequate wire size (AWG or American Wire Gauge) for safety.** The smaller the gauge number of the wire, the greater the capacity of the cable, that is 16 gauge has more capacity than 18 gauge. An undersized cord will cause a drop in line voltage resulting in loss of power and overheating. When using more than one extension to make up the total length, be sure each individual extension contains at least the minimum wire size. The following table shows the correct size to use depending on cord length and nameplate ampere rating. If in doubt, use the next heavier gauge. The smaller the gauge number, the heavier the cord.

Minimum Gauge for Cord Sets						
Ampere Rating		Volts	Total Length of Cord in Feet (meters)			
		120V	25 (7.6)	50 (15.2)	100 (30.5)	150 (45.7)
		240V	50 (15.2)	100 (30.5)	200 (61.0)	300 (91.4)
More Than	Not More Than	AWG				
0	6		18	16	16	14
6	10		18	16	14	12
10	12		16	16	14	12
12	16		14	12	Not Recommended	

⚠ WARNING ALWAYS use safety glasses. Everyday eyeglasses are NOT safety glasses. Also use face or dust mask if cutting operation is dusty. ALWAYS WEAR CERTIFIED SAFETY EQUIPMENT:

- ANSI Z87.1 eye protection (CAN/CSA Z94.3),
- ANSI S12.6 (S3.19) hearing protection,
- NIOSH/OSHA/MSHA respiratory protection.

⚠ WARNING Some dust created by power sanding, sawing, grinding, drilling, and other construction activities contains chemicals known to the State of California to cause cancer, birth defects or other reproductive harm. Some examples of these chemicals are:

- lead from lead-based paints,
- crystalline silica from bricks and cement and other masonry products, and
- arsenic and chromium from chemically-treated lumber.

Your risk from these exposures varies, depending on how often you do this type of work. To reduce your exposure to these chemicals: work in a well ventilated area, and work with approved safety equipment, such as those dust masks that are specially designed to filter out microscopic particles.

- **Avoid prolonged contact with dust from power sanding, sawing, grinding, drilling, and other construction activities. Wear protective clothing and wash exposed areas with soap and water.** Allowing dust to get into your mouth, eyes, or lay on the skin may promote absorption of harmful chemicals.

⚠ WARNING Use of this tool can generate and/or disperse dust, which may cause serious and permanent respiratory or other injury. Always use NIOSH/OSHA approved respiratory protection appropriate for the dust exposure. Direct particles away from face and body.

⚠ WARNING Always wear proper personal hearing protection that conforms to ANSI S12.6 (S3.19) during use. Under some conditions and duration of use, noise from this product may contribute to hearing loss.

- The label on your tool may include the following symbols. The symbols and their definitions are as follows:

V..... volts	A..... amperes
Hz..... hertz	W..... watts
min minutes	~ or AC alternating current
== or DC... direct current	⎓ or AC/DC... alternating or direct current
Ⓢ Class I Construction (grounded)	no no load speed
Ⓜ Class II Construction (double insulated)	n rated speed
.../min per minute	Ⓧ earthing terminal
BPM beats per minute	⚠ safety alert symbol
IPM impacts per minute	
RPM revolutions per minute	
sfpd surface feet per minute	

ADDITIONAL SAFETY RULES FOR PAINT REMOVAL

- Sanding of lead based paint is NOT RECOMMENDED due to the difficulty of controlling the contaminated dust. The greatest danger of lead poisoning is to children and pregnant women.
- Since it is difficult to identify whether or not a paint contains lead without a chemical analysis, we recommend the following precautions when sanding any paint:

PERSONAL SAFETY

- No children or pregnant women should enter the work area where the paint sanding is being done until all clean up is completed.
- A dust mask or respirator should be worn by all persons entering the work area. The filter should be replaced daily or whenever the wearer has difficulty breathing. See your local hardware store for the proper NIOSH approved dust mask.
- NO EATING, DRINKING or SMOKING should be done in the work area to prevent ingesting contaminated paint particles. Workers should wash and clean up BEFORE eating, drinking or smoking. Articles of food, drink, or smoking should not be left in the work area where dust would settle on them.

ENVIRONMENTAL SAFETY

- Paint should be removed in such a manner as to minimize the amount of dust generated.
- Areas where paint removal is occurring should be sealed with plastic sheeting of 4 mil thickness.
- Sanding should be done in a manner to reduce tracking of paint dust outside the work area.

CLEANING AND DISPOSAL

1. All surfaces in the work area should be vacuumed and thoroughly cleaned daily for the duration of the sanding project. Vacuum filter bags should be changed frequently.
2. Plastic drop cloths should be gathered up and disposed of along with any dust chips or other removal debris. They should be placed in sealed refuse receptacles and disposed of through regular trash pick-up procedures. During clean up, children and pregnant women should be kept away from the immediate work area.
3. All toys, washable furniture and utensils used by children should be washed thoroughly before being used again.

⚠ WARNING Accessories must be rated for at least the speed recommended on the tool warning label. Accessories running over rated speed can fly apart and cause injury. Accessory ratings must always be above tool speed as shown on tool nameplate.

SAVE THESE INSTRUCTIONS

MOTOR

Be sure your power supply agrees with nameplate marking. 120 Volts AC means your tool will operate on alternating current. As little as 10% lower voltage can cause loss of power and can result in overheating. All PORTER-CABLE tools are factory-tested; if this tool does not operate, check the power supply.

ASSEMBLY

NOTE: This tool is shipped completely assembled. No assembly time or tools are required.

ABRASIVE DISC SELECTION

An abrasive disc is already included with the Drywall Sander. For details on the type of grit, refer to the packaging. Higher grit number corresponds to a smoother finish.

⚠ CAUTION Do not attempt to use any abrasives other than those recommended by PORTER-CABLE.

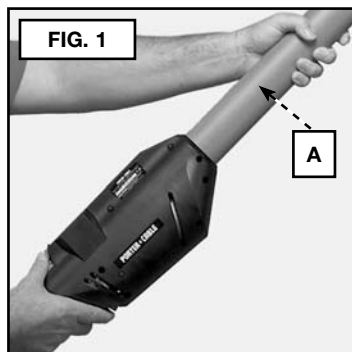
OPERATION

⚠ WARNING To reduce the risk of injury, turn unit off and disconnect it from power source before installing and removing accessories, before adjusting or when making repairs. An accidental start-up can cause injury.

HOW TO HOLD A DRYWALL SANDER (FIG. 1)

Hold the sander with both hands on the main tube (A). Position your hands anywhere along the main tube to provide the best combination of reach and leverage.

⚠ CAUTION To reduce the risk of personal injury, keep your hands on the main tube (A). Keep away from the sanding head area. The sanding head swivels in multiple directions and can pinch your hand.



CONNECTING THE SANDER TO YOUR SHOP VAC

Furnished with the Drywall Sander are:

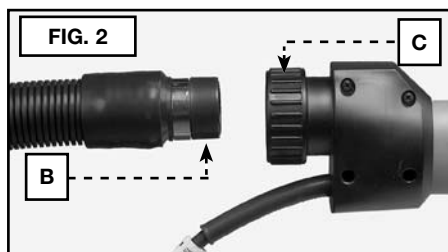
- A 13' (396 cm) long vacuum hose. This hose has a standard 1-1/4" (3.2 cm) vacuum cleaner connector on one end and a special swivel connector on the other end. It has a static dissipating feature to dissipate static electrical charges.
- A drywall sander adaptor allows connection to a DEWALT DWV012 vacuum.

INSTALLATION

⚠ WARNING To reduce the risk of personal injury, use a dust bag rated for drywall dust. Failure to do so will increase the level of airborne dust particles in the work area. Continued and prolonged exposure to high concentrations of airborne dust may affect your respiratory system function.

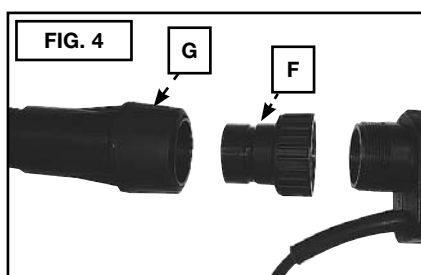
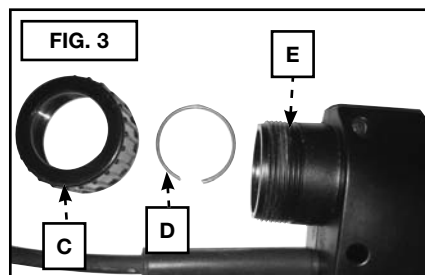
FOR USE WITH PORTER-CABLE 7812 VACUUM (FIG. 2)

1. Install the special drywall dust bag into your vacuum cleaner, following the instructions supplied with the vacuum cleaner. If this dust bag does not fit your vacuum cleaner correctly, purchase and install a suitable filter bag that is rated for drywall dust.
2. Connect the vacuum hose to the Drywall Sander. Open the hose connector by turning the large nut (C) counterclockwise a few turns. Push the vacuum hose swivel connector (B) into the connector and seat firmly. Turn the large nut clockwise to tighten the connector.
3. Connect the vacuum hose to your vacuum cleaner. Use the 1-1/4" (3.2 cm) to 2-1/2" (6.4 cm) adaptor if necessary. If your vacuum cleaner requires a special connector (something other than the standard 1-1/4" (3.2 cm) to 2-1/2" (6.4 cm) connectors supplied with the Drywall Sander), contact your vacuum cleaner supplier for the proper adaptor.



FOR USE WITH DEWALT DWV012 VACUUM (FIG. 3, 4)

1. Remove the large nut (C) and ring (D) from the drywall sander (E). Save these parts for future use.

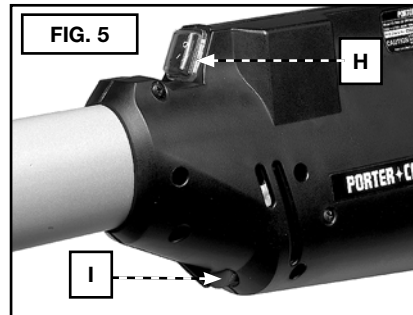


2. Thread drywall sander adaptor (F) onto drywall sander.
3. Attach twistlock end of vacuum hose to drywall sander adaptor (F). Twist collar (G) to lock into place.

TO START AND STOP THE DRYWALL SANDER (FIG. 5)

Be certain that the power circuit voltage is the same as that shown on the specification plate of the tool, and that the switch is OFF (O). Connect the tool to the power circuit.

The Drywall Sander is equipped with a "rocker" type switch (H). The top end of the switch button is labeled "O" (OFF), and the bottom end of the button is labeled "I" (ON). To start the sander, press the bottom end of the "I" switch. To stop the sander, press the top end of the "O" switch.



SPEED CONTROL (FIG. 5)

The 7800 Sander is equipped with a variable speed control. Adjust the speed by turning the control knob (I). The control knob is numbered "1" through "5". The setting "1" is the slowest speed (approximately 1000 RPM) and "5" is the fastest speed (approximately 2,000 RPM).

Use the higher speed settings for fast stock removal. Use the lower speed setting to reduce removal rate for more precise control. The Model 7801 Drywall Sander has a constant speed of 2,000 RPM.

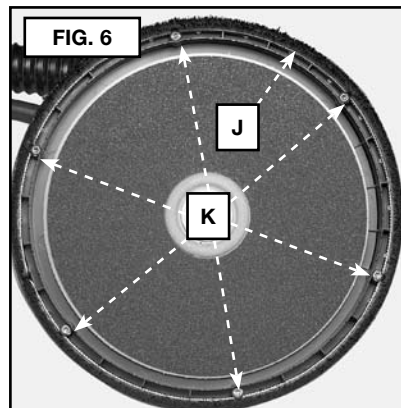
BRUSH-TYPE SKIRT (FIG. 6)

A brush-type skirt (J) surrounds the abrasive pad on the Model 7800. This skirt serves two purposes:

- It extends below the surface of the abrasive pad to prevent the abrasive from "gouging" the work.
- It helps contain the drywall dust until the vacuum cleaner pulls it away.

Replace the skirt if it is damaged or if it is worn excessively. Replacement skirts are available from any PORTER-CABLE Service Center.

Since the Model 7801 requires no vacuum cleaner, the skirt is shorter, but still prevents "gouging".



TO REPLACE A SKIRT (FIG. 6)

⚠ WARNING To reduce the risk of injury, turn unit off and disconnect it from power source before installing and removing accessories, before adjusting or when making repairs. An accidental start-up can cause injury.

1. Remove abrasive pad (see **Abrasive Pad Replacement**).
2. Use a cross head screwdriver to remove the six retaining screws (K).
3. Lift the skirt out of housing.
4. Position the new skirt to the housing and install the six retaining screws.
5. Replace the abrasive pad.

SANDING DRYWALL (FIG. 7, 8, 9)

The Drywall Sander has an articulating sanding head. The head can swivel in multiple directions, allowing the abrasive pad to conform to the work surface. This action enables you to sand the top, middle, and bottom of a wall or ceiling joint without changing position.

1. Turn the vacuum cleaner switch ON (I). (Model 7800 only).

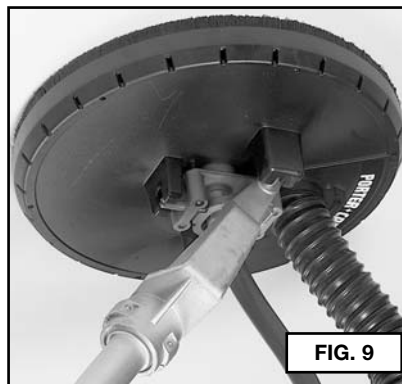
⚠WARNING To reduce the risk of personal injury, ALWAYS wear a respirator approved by NIOSH for “Dust and Mist”.

2. Turn Drywall Sander switch ON (I).
3. Position the Drywall Sander lightly against the work surface. Apply just enough pressure to align the sanding head with the work surface.
4. Apply additional pressure to engage the abrasive pad on the work surface. Move the sander in an overlapping pattern to smooth the drywall compound down to a “featheredge”.

Apply ONLY enough pressure to keep the abrasive pad flat against the work.

Keep the sander in constant motion while the abrasive pad is in contact with the work surface. Use a steady, sweeping motion. Excessive pressure, stopping the sander on the work, or moving the sander erratically can cause unacceptable swirl marks and unevenness in the work surface.

NOTE: Do not allow rotating abrasive pad to contact sharp protrusions. Contact with protruding objects (nails, screws, electrical boxes, etc.), can severely damage the abrasive pad.



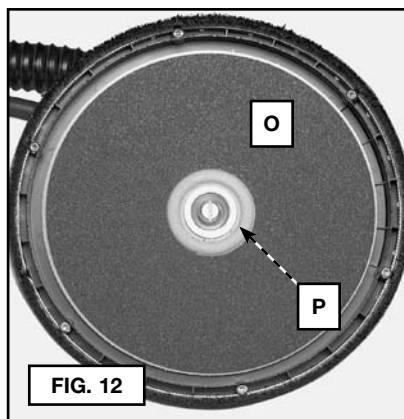
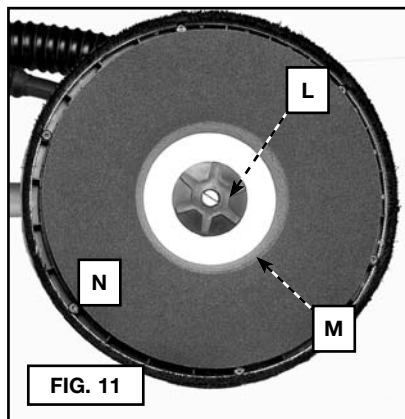
ABRASIVE PAD REPLACEMENT (FIG. 10, 11)

⚠ WARNING To reduce the risk of injury, turn unit off and disconnect it from power source before installing and removing accessories, before adjusting or when making repairs. An accidental start-up can cause injury.

1. Grasp the abrasive pad and the sander housing to prevent pad rotation.
2. Rotate the pad retaining nut (L) counterclockwise and remove.
3. Lift off the large metal washer (M), and the abrasive pad (N).

NOTE: When the abrasive pad (N) is lifted from the sander, the abrasive back-up disc (O) is exposed. Note that this back-up disc is also covered with an abrasive material, and is used ONLY to prevent “slippage” between the back-up disc and the foam-backed abrasive pad. It is NOT suitable for use as a sanding abrasive. DO NOT USE THE SANDER WITHOUT A PROPER ABRASIVE PAD.

4. Position the new abrasive pad to the back-up disc, and center the hole of the disc on the hub (P) of the back-up disc.



5. Position the large metal washer (M), and the retaining nut (L), to the sander.
6. Rotate the retaining nut clockwise to hand tighten (while holding the abrasive pad as described in step 1).

TRANSPORTATION AND STORAGE

Keep the sander dry during transport and storage. Protect the abrasive pad. Contact with another object may deform the pad, causing it to sand unevenly. If you cannot protect the pad during transport or storage, remove and store it separately.

MAINTENANCE

⚠ WARNING To reduce the risk of injury, turn unit off and disconnect it from power source before installing and removing accessories, before adjusting or when making repairs. An accidental start-up can cause injury.

REPAIRS

For assistance with your tool, visit our website at www.portercable.com for a list of service centers, or call the PORTER-CABLE Customer Care Center at (888) 848-5175.

BRUSH INSPECTION

For your continued safety and electrical protection, brush inspection and replacement on this tool should ONLY be performed by a PORTER-CABLE FACTORY SERVICE CENTER OR PORTER-CABLE AUTHORIZED WARRANTY SERVICE CENTER.

At approximately 100 hours of use, take or send your tool to your nearest PORTER-CABLE Factory Service center or PORTER-CABLE Authorized Warranty Service Center to be thoroughly cleaned and inspected. Have worn parts replaced and lubricated with fresh lubricant. Have new brushes installed, and test the tool for performance.

Any loss of power before the above maintenance check may indicate the need for immediate servicing of your tool. **DO NOT CONTINUE TO OPERATE TOOL UNDER THIS CONDITION.** If proper operating voltage is present, return your tool to the service station for immediate service.

CLEANING

▲ WARNING Periodically blowing dust and chips out of the motor housing using clean, dry compressed air is a suggested maintenance procedure. To reduce the risk of serious personal injury, **ALWAYS** wear ANSI Z87.1 safety glasses while using compressed air.

▲ WARNING When cleaning, use only mild soap and a damp cloth on plastic parts. Many household cleaners contain chemicals which could seriously damage plastic. Also, do not use gasoline, turpentine, lacquer or paint thinner, dry cleaning fluids or similar products which may seriously damage plastic parts. **NEVER** let any liquid get inside the tool; **NEVER** immerse any part of the tool into a liquid.

LUBRICATION

This tool has been lubricated with a sufficient amount of high grade lubricant for the life of the unit under normal operating conditions. No further lubrication is necessary. However, it is recommended that, once a year, you take or send the tool to a PORTER-CABLE service center for a thorough cleaning and inspection.

FAILURE TO START

Should your tool fail to start, check to make sure the prongs on the cord plug are making good contact in the outlet. Also, check for blown fuses or open circuit breakers in the line.

SERVICE

REPLACEMENT PARTS

Use only identical replacement parts. For a parts list or to order parts, visit our company's service website at servicenet.portercable.com. You can also order parts from your nearest PORTER-CABLE Factory Service Center or PORTER-CABLE Authorized Warranty Service Center. Or, you can call our Customer Care Center at (888) 848-5175.

SERVICE AND REPAIRS

All quality tools will eventually require servicing and/or replacement of parts. For information about PORTER-CABLE, its factory service centers or authorized warranty service centers, visit our website at www.portercable.com or call our Customer Care Center at (888) 848-5175. All repairs made by our service centers are fully guaranteed against defective material and workmanship. We cannot guarantee repairs made or attempted by others.

You can also write to us for information at PORTER-CABLE, 4825 Highway 45 North, Jackson, Tennessee 38305 - Attention: Product Service. Be sure to include all of the information shown on the nameplate of your tool (model number, type, serial number, etc.).

ACCESSORIES

A complete line of accessories is available from your PORTER-CABLE Factory Service Center or a PORTER-CABLE Authorized Warranty Service Center. Please visit our Web Site www.portercable.com for a catalog or for the name of your nearest supplier.

⚠ WARNING Since accessories other than those offered by PORTER-CABLE have not been tested with this product, use of such accessories could be hazardous. For safest operation, only PORTER-CABLE recommended accessories should be used with this product.

THREE YEAR LIMITED WARRANTY

PORTER-CABLE will repair, without charge, any defects due to faulty materials or workmanship for three years from the date of purchase. This warranty does not cover part failure due to normal wear or tool abuse. For further detail of warranty coverage and warranty repair information, visit www.portercable.com or call (888) 848-5175. This warranty does not apply to accessories or damage caused where repairs have been made or attempted by others. This warranty gives you specific legal rights and you may have other rights which vary in certain states or provinces.

In addition to the warranty, PORTER-CABLE tools are covered by our:

1 YEAR FREE SERVICE: PORTER-CABLE will maintain the tool and replace worn parts caused by normal use, for free, any time during the first year after purchase.

90 DAY MONEY BACK GUARANTEE: If you are not completely satisfied with the performance of your PORTER-CABLE Power Tool, Laser, or Nailer for any reason, you can return it within 90 days from the date of purchase with a receipt for a full refund – no questions asked.

LATIN AMERICA: This warranty does not apply to products sold in Latin America. For products sold in Latin America, see country specific warranty information contained in the packaging, call the local company or see website for warranty information.

To register your tool for warranty service visit our website at www.portercable.com.

WARNING LABEL REPLACEMENT

If your warning labels become illegible or are missing, call (888) 848-5175 for a free replacement.

Model 7800 9" (230mm) Dry Wall Sander
Variable Speed

⚠ WARNING To reduce the risk of injury, user must read and understand instruction manual. Always use proper eye and respiratory protection.

⚠ ADVERTENCIA Para disminuir el riesgo de lesiones, el usuario deberá leer y comprender el manual de instrucciones. Siempre se deberá llevar la protección apropiada para la vista y para las vías respiratorias.

⚠ AVERTISSEMENT Afin de minimiser les risques de blessures, l'utilisateur doit toujours lire et comprendre le guide d'utilisation. Il faut toujours porter de l'équipement de protection oculaire et respiratoire approprié.

⚠ WARNING DO NOT REMOVE GROUND PIN FROM PLUG	⚠ WARNING DO NOT REMOVE GROUND PIN FROM PLUG
⚠ ADVERTENCIA NO quite el terminal de conexión a tierra del enchufe	⚠ AVERTISSEMENT NE retirez pas la broche de mise à la terre de la fiche

MESURES DE SÉCURITÉ - DÉFINITIONS

⚠ DANGER : indique une situation dangereuse imminente qui, si elle n'est pas évitée, **causera la mort ou des blessures graves.**

⚠ AVERTISSEMENT indique une situation potentiellement dangereuse qui, si elle n'est pas évitée, **pourrait** se solder par un **décès ou des blessures graves.**

⚠ ATTENTION : indique une situation potentiellement dangereuse qui, si elle n'est pas évitée **pourrait** se solder par **des blessures mineures ou modérées.**

AVIS: indique une pratique ne posant **aucun risque de dommages corporels** mais qui par contre, si rien n'est fait pour l'éviter, **pourrait** poser des **risques de dommages matériels.**



⚠ AVERTISSEMENT Afin de réduire le risque de blessures, lire le mode d'emploi de l'outil.

AVERTISSEMENTS DE SÉCURITÉ GÉNÉRAUX POUR LES OUTILS ÉLECTRIQUES

⚠ AVERTISSEMENT

Lire tous les avertissements de sécurité et les directives. Le non-respect des avertissements et des directives pourrait se solder par un choc électrique, un incendie et/ou une blessure grave.

CONSERVER TOUS LES AVERTISSEMENTS ET TOUTES LES DIRECTIVES POUR UN USAGE ULTÉRIEUR

Le terme « outil électrique » cité dans les avertissements se rapporte à votre outil électrique à alimentation sur secteur (avec fil) ou par piles (sans fil).

1) SÉCURITÉ DU LIEU DE TRAVAIL

- a) **Tenir l'aire de travail propre et bien éclairée.** Les lieux encombrés ou sombres sont propices aux accidents.
- b) **Ne pas faire fonctionner d'outils électriques dans un milieu déflagrant, tel qu'en présence de liquides, de gaz ou de poussières inflammables.** Les outils électriques produisent des étincelles qui pourraient enflammer la poussière ou les vapeurs.
- c) **Éloigner les enfants et les personnes à proximité pendant l'utilisation d'un outil électrique.** Une distraction pourrait en faire perdre la maîtrise à l'utilisateur.

2) SÉCURITÉ EN MATIÈRE D'ÉLECTRICITÉ

- a) **Les fiches des outils électriques doivent correspondre à la prise. Ne jamais modifier la fiche d'aucune façon. Ne jamais utiliser de fiche d'adaptation avec un outil électrique mis à la terre.** Le risque de choc électrique sera réduit par l'utilisation de fiches non modifiées correspondant à la prise.
- b) **Éviter tout contact physique avec des surfaces mises à la terre comme des tuyaux, des radiateurs, des cuisinières et des réfrigérateurs.** Le risque de choc électrique est plus élevé si votre corps est mis à la terre.

- c) **Ne pas exposer les outils électriques à la pluie ou à l'humidité.** La pénétration de l'eau dans un outil électrique augmente le risque de choc électrique.
- d) **Ne pas utiliser le cordon de façon abusive. Ne jamais utiliser le cordon pour transporter, tirer ou débrancher un outil électrique. Tenir le cordon éloigné de la chaleur, de l'huile, des bords tranchants et des pièces mobiles.** Les cordons endommagés ou enchevêtrés augmentent les risques de choc électrique.
- e) **Pour l'utilisation d'un outil électrique à l'extérieur, se servir d'une rallonge convenant à cette application.** L'utilisation d'une rallonge conçue pour l'extérieur réduira les risques de choc électrique.
- f) **S'il est impossible d'éviter l'utilisation d'un outil électrique dans un endroit humide, brancher l'outil dans une prise ou sur un circuit d'alimentation dotés d'un disjoncteur de fuite à la terre (GFCI).** L'utilisation de ce type de disjoncteur réduit les risques de choc électrique.

3) SÉCURITÉ PERSONNELLE

- a) **Être vigilant, surveiller le travail effectué et faire preuve de jugement lorsqu'un outil électrique est utilisé. Ne pas utiliser d'outil électrique en cas de fatigue ou sous l'influence de drogues, d'alcool ou de médicaments.** Un simple moment d'inattention en utilisant un outil électrique peut entraîner des blessures corporelles graves.
- b) **Utiliser des équipements de protection individuelle. Toujours porter une protection oculaire.** L'utilisation d'équipements de protection comme un masque antipoussière, des chaussures antidérapantes, un casque de sécurité ou des protecteurs auditifs lorsque la situation le requiert réduira les risques de blessures corporelles.
- c) **Empêcher les démarrages intempestifs. S'assurer que l'interrupteur se trouve à la position d'arrêt avant de relier l'outil à une source d'alimentation et/ou d'insérer un bloc-piles, de ramasser ou de transporter l'outil.** Transporter un outil électrique alors que le doigt repose sur l'interrupteur ou brancher un outil électrique dont l'interrupteur est à la position de marche risque de provoquer un accident.
- d) **Retirer toute clé de réglage ou clé avant de démarrer l'outil.** Une clé ou une clé de réglage attachée à une partie pivotante de l'outil électrique peut provoquer des blessures corporelles.
- e) **Ne pas trop tendre les bras. Conserver son équilibre en tout temps.** Cela permet de mieux maîtriser l'outil électrique dans les situations imprévues.
- f) **S'habiller de manière appropriée. Ne pas porter de vêtements amples ni de bijoux. Garder les cheveux, les vêtements et les gants à l'écart des pièces mobiles.** Les vêtements amples, les bijoux ou les cheveux longs risquent de rester coincés dans les pièces mobiles.
- g) **Si des composants sont fournis pour le raccordement de dispositifs de dépoussiérage et de ramassage, s'assurer que ceux-ci sont bien raccordés et utilisés.** L'utilisation d'un dispositif de dépoussiérage peut réduire les dangers engendrés par les poussières.

4) UTILISATION ET ENTRETIEN D'UN OUTIL ÉLECTRIQUE

- a) **Ne pas forcer un outil électrique. Utiliser l'outil électrique approprié à l'application.** L'outil électrique approprié effectuera un meilleur travail, de façon plus sûre et à la vitesse pour laquelle il a été conçu.
- b) **Ne pas utiliser un outil électrique dont l'interrupteur est défectueux.** Tout outil électrique dont l'interrupteur est défectueux est dangereux et doit être réparé.

- c) **Débrancher la fiche de la source d'alimentation et/ou du bloc-piles de l'outil électrique avant de faire tout réglage ou changement d'accessoire ou avant de ranger l'outil.** Ces mesures préventives réduisent les risques de démarrage accidentel de l'outil électrique.
- d) **Ranger les outils électriques hors de la portée des enfants et ne permettre à aucune personne n'étant pas familière avec un outil électrique ou son mode d'emploi d'utiliser cet outil.** Les outils électriques deviennent dangereux entre les mains d'utilisateurs inexpérimentés.
- e) **Entretien des outils électriques. Vérifier si les pièces mobiles sont mal alignées ou coincées, si des pièces sont brisées ou présentent toute autre condition susceptible de nuire au bon fonctionnement de l'outil électrique. En cas de dommage, faire réparer l'outil électrique avant toute nouvelle utilisation.** Beaucoup d'accidents sont causés par des outils électriques mal entretenus.
- f) **S'assurer que les outils de coupe sont aiguisés et propres.** Les outils de coupe bien entretenus et affûtés sont moins susceptibles de se coincer et sont plus faciles à maîtriser.
- g) **Utiliser l'outil électrique, les accessoires, les forets, etc. conformément aux présentes directives en tenant compte des conditions de travail et du travail à effectuer.** L'utilisation d'un outil électrique pour toute opération autre que celle pour laquelle il a été conçu est dangereuse.

5) RÉPARATION

- a) **Faire réparer l'outil électrique par un réparateur professionnel en n'utilisant que des pièces de rechange identiques.** Cela permettra de maintenir une utilisation sécuritaire de l'outil électrique.

RÈGLES DE SÉCURITÉ SPÉCIFIQUE

AVERTISSEMENTS DE SÉCURITÉ COMMUNS À TOUTES LES OPÉRATIONS DE MEULAGE, DE PONÇAGE, DE BROSSAGE À L'AIDE D'UNE BROSSE MÉTALLIQUE, DE POLISSAGE OU DE COUPE PAR ABRASION :

- a) **Cet outil électrique est conçu pour fonctionner comme une ponceuse.** Lire tous les avertissements de sécurité, les directives, les illustrations et les spécifications fournies avec cet outil électrique. Négliger de suivre toutes les directives suivantes peut entraîner des risques de décharges électriques, d'incendie et/ou de blessures graves.
- b) **Il n'est pas recommandé d'effectuer des opérations comme le meulage, le polisseuse, le brossage à l'aide d'une brosse métallique ou la coupe avec cet outil électrique.** Les opérations pour lesquelles l'outil électrique n'a pas été conçu risquent de créer des dangers et d'entraîner des blessures corporelles.
- c) **Ne pas utiliser d'accessoire non conçu spécifiquement pour cet outil ou qui n'aurait pas reçu une approbation spécifique du fabricant de l'outil.** En effet, il est parfois possible de fixer un accessoire à l'outil électrique; toutefois, cela ne garantit pas une utilisation sécuritaire.
- d) **Le régime nominal de l'accessoire doit être au moins égal au régime maximal inscrit sur l'outil électrique.** Les accessoires soumis à un régime plus élevé QUE CELUI POUR LEQUEL ILS SONT CONÇUS peuvent se briser et être projetés.
- e) **Le diamètre externe et l'épaisseur de l'accessoire doivent être adéquats pour la capacité de l'outil électrique.** Il est impossible de protéger l'utilisateur d'un bris d'accessoire de mauvais calibre ou de le maîtriser correctement.

- f) **Le trou pour arbre d'entraînement des meules, des brides, des tampons ou de tout autre accessoire doit s'ajuster correctement à la broche de l'outil électrique;** autrement, l'outil sera déséquilibré, vibrera excessivement et risquerait de provoquer une perte de maîtrise.
- g) **Ne jamais utiliser un accessoire endommagé.** Avant toute utilisation, inspecter les accessoires comme les meules abrasives à la recherche d'éclats et de fissures; le tampon pour tout signe de fissures, de déchirures ou d'usure excessive; et la brosse métallique, pour détecter s'il y a des fils métalliques fissurés ou détachés. En cas de chute de l'outil ou de l'accessoire, les inspecter à la recherche de dommages ou insérer un accessoire non endommagé. Après l'inspection et l'insertion d'un accessoire, se positionner (l'utilisateur ou quiconque aux alentours) hors du plan de rotation de l'accessoire et faire tourner, pendant une minute, l'outil électrique à plein régime, à vide. Normalement, tout accessoire endommagé se brisera au cours de cette période d'essai.
- h) **Porter un équipement de protection individuelle.** Utiliser un masque facial, des lunettes de sécurité ou des lunettes protectrices en fonction de l'application. Au besoin, porter un masque antipoussières, des protecteurs auditifs, des gants et un tablier d'atelier capable d'arrêter de petits fragments d'abrasifs ou de pièces. La protection oculaire doit être en mesure d'arrêter tout débris produit par les diverses opérations et le masque antipoussières ou le respirateur, de filtrer les particules produites par l'opération en cours. Une exposition prolongée à un bruit d'intensité élevée pourrait causer une perte auditive.
- i) **Éloigner tout observateur à une distance sécuritaire de la zone de travail.** Toute personne qui pénètre dans la zone de travail devra également porter un équipement de protection individuelle. Il est possible qu'un fragment de pièce ou un accessoire brisé soit projeté et provoque des blessures au-delà de la zone immédiate de travail.
- j) **Tenir l'outil électrique uniquement par sa surface de prise isolée dans une situation où l'accessoire de coupe pourrait entrer en contact avec un câble électrique dissimulé ou avec son propre cordon d'alimentation.** Tout contact entre un fil « sous tension » et l'accessoire de coupe pourrait également mettre « sous tension » les pièces métalliques exposées de l'outil et électrocuter l'opérateur.
- k) **Positionner le cordon d'alimentation hors d'atteinte de l'accessoire en mouvement.** En cas de perte de maîtrise, il est possible de couper ou d'effiloche le cordon et la main ou le bras de l'opérateur risqueraient d'être happés par l'accessoire en mouvement.
- l) **Ne jamais déposer l'outil électrique avant l'immobilisation complète de l'accessoire.** L'accessoire en mouvement risquerait de mordre dans la surface et de projeter l'outil électrique.
- m) **Mettre l'outil hors tension pour tout déplacement de celui-ci par l'utilisateur.** Un contact accidentel avec l'accessoire en mouvement pourrait happer les vêtements de l'utilisateur et projeter l'accessoire contre son corps.
- n) **Nettoyer régulièrement les événements de l'outil électrique.** Le ventilateur du moteur aspirera la poussière à l'intérieur du boîtier. Une accumulation excessive de poudre métallique représente un danger d'origine électrique.
- o) **Ne pas faire fonctionner l'outil électrique à proximité de matières inflammables.** Les étincelles produites risquent de les enflammer.
- p) **Ne pas utiliser d'accessoires qui exigent l'utilisation d'un liquide de refroidissement.** L'utilisation d'eau ou de tout autre liquide de refroidissement pourrait se solder par une électrocution ou une secousse électrique.

AVERTISSEMENTS RELATIFS À L'EFFET DE REBOND ET AUTRES SUJETS CONNEXES

L'effet de rebond est une réaction soudaine d'une meule, d'un tampon, d'une brosse ou d'un tout autre accessoire, en mouvement, qui est pincé ou qui s'accroche. Un pincement ou un accrochage provoque un arrêt rapide de l'accessoire en mouvement qui, à son tour, projette l'outil électrique, hors de maîtrise, dans la direction opposée à la rotation de l'outil au point de grippage.

Par exemple, si un tampon se pince ou s'accroche dans la pièce, le bord du tampon introduit au point de pincement peut mordre dans la surface de la pièce et projeter la meule hors de la rainure. La meule peut être projetée vers l'opérateur ou dans la direction opposée selon le sens de rotation de la meule au point de pincement.

Un effet de rebond est le résultat d'une mauvaise utilisation de l'outil électrique et/ou de procédures ou conditions de fonctionnement incorrectes. Il peut être évité en prenant les précautions nécessaires telles que décrites ci-dessous :

- a) **Saisir fermement l'outil électrique et positionner le corps et les bras de sorte à résister à la force de l'effet de rebond.** Utiliser toujours la poignée auxiliaire, s'il y en a une, pour contrôler au maximum l'effet de rebond ou le couple de réaction au démarrage. Avec de bonnes précautions, l'opérateur est en mesure de contrôler le couple de réaction ou l'effet de rebond.
- b) **Ne jamais placer les mains près de l'accessoire en mouvement.** Il pourrait en effet être projeté sur celles-ci en cas de rebond.
- c) **Ne pas positionner le corps dans la trajectoire probable de l'outil électrique, en cas de rebond.** Au moment du grippage, l'outil sera projeté dans la direction opposée au déplacement de la meule.
- d) **Être particulièrement attentif lors de travaux dans un coin, sur des bords tranchants, etc.** Éviter de faire rebondir l'accessoire. Éviter tout type de grippage de l'accessoire. Un travail dans un coin ou sur des bords tranchants ou un travail en faisant rebondir l'accessoire provoquent souvent un grippage et une perte de maîtrise de l'outil ou un effet de rebond.
- e) **Ne pas fixer de lame de tronçonneuse pour sculpter le bois ou de lame de scie dentée.** Ces types de lames provoquent des effets de rebond et des pertes de maîtrise fréquents.

AVERTISSEMENTS DE SÉCURITÉ SPÉCIFIQUES AUX OPÉRATIONS DE PONÇAGE :

- a) **Ne pas utiliser un papier pour disque abrasif excessivement surdimensionné. Respecter les recommandations des fabricants lors de la sélection du papier abrasif.** Un papier abrasif plus grand que le plateau de ponçage représente un risque de lacération. Le papier risque également de s'accrocher, de se déchirer ou de provoquer un effet de rebond.
- **Prendre des précautions à proximité des événements, car ils cachent des pièces mobiles.** Vêtements amples, bijoux ou cheveux longs risquent de rester coincés dans ces pièces mobiles.
 - **Pour la sécurité de l'utilisateur, utiliser une rallonge de calibre adéquat (AWG, American Wire Gauge [calibrage américain normalisé des fils électriques]).** Plus le calibre est petit, et plus sa capacité est grande. Un calibre 16, par exemple, a une capacité supérieure à un calibre 18. L'usage d'une rallonge de calibre insuffisant causera une chute de tension qui entraînera perte de puissance et surchauffe. Si plus d'une rallonge est utilisée pour obtenir une certaine longueur, s'assurer que chaque rallonge présente au moins le calibre de fil minimum. Le tableau ci-dessous illustre les calibres à utiliser selon la longueur de rallonge et l'intensité nominale indiquée sur la plaque signalétique. En cas de doute, utiliser le calibre suivant. Plus le calibre est petit, plus la rallonge peut supporter de courant.

— ou DC... courant continu	⤵ ou AC/DC.courant alternatif ou continu
⚠ classe I fabrication (mis à la terre)	n ₀vitesse à vide
⚡ fabrication classe II (double isolation)	nvitesse nominale
.../min par minute	⊕borne de terre
IPM impacts par minute	⚠symbole d'avertissement
BPM battements par minute	SPM (FPM)fréquence par minute
sfpm pieds linéaires par minute (plpm)	r/mintours par minute

RÈGLES DE SÉCURITÉ SUPPLÉMENTAIRES POUR L'ÉLIMINATION DE LA PEINTURE

1. Le ponçage d'une peinture au plomb N'EST PAS RECOMMANDÉ en raison des difficultés entourant le contrôle de la poussière contaminée. Le danger le plus important d'empoisonnement au plomb touche les enfants et les femmes enceintes.
2. Étant donné qu'il est difficile d'identifier si une peinture contient ou non du plomb sans une analyse chimique, nous recommandons de suivre les précautions suivantes lors du ponçage d'une peinture.

SÉCURITÉ PERSONNELLE

1. Les enfants et les femmes enceintes ne devraient pas entrer dans une zone de travail où se fait le ponçage de la peinture avant que la zone n'ait été entièrement nettoyée.
2. Toutes les personnes entrant dans la zone de travail doivent porter un masque antipoussières ou un respirateur. Le filtre doit être remplacé chaque jour ou dès que la personne qui le porte éprouve de la difficulté à respirer. Consulter la quincaillerie de la région pour obtenir un masque antipoussières approuvé par la NIOSH.
3. NE PAS MANGER, NI BOIRE, NI FUMER dans la zone de travail pour empêcher toute ingestion de particules contaminées de peinture. Les travailleurs doivent se laver les mains AVANT de manger, de boire ou de fumer. Ne pas laisser de nourriture, de boissons ou d'articles de fumeur dans la zone de travail où ils risquent de recevoir de la poussière.

RESPECT DE L'ENVIRONNEMENT

1. La peinture doit être enlevée de façon à minimiser la quantité de poussière produite.
2. Les zones où la peinture est enlevée doivent être scellées avec des feuilles de plastique d'une épaisseur de 101,6 µm (4 mils).
3. Le ponçage doit se faire de façon à réduire le repérage de la poussière de peinture à l'extérieur de la zone de travail.

NETTOYAGE ET ÉLIMINATION

1. Toutes les surfaces de la zone de travail doivent être nettoyées à fond à l'aide d'un aspirateur, et ce, chaque jour, pour la durée du projet de ponçage. Il faut changer régulièrement les sacs-filtres pour aspirateur.

2. Les toiles de peinture en plastique doivent être rassemblées et mises au rebut avec les particules de poussière ou tout autre débris d'enlèvement. Il faut les placer dans des récipients à rebut étanches et les éliminer par la collecte des ordures ménagères. Pendant le nettoyage, les enfants et les femmes enceintes doivent éviter de se trouver dans la zone immédiate de travail.
3. Tous les jouets, meubles lavables et les ustensiles utilisés par les enfants doivent être nettoyés à fond avant de les utiliser de nouveau.

⚠ AVERTISSEMENT le régime nominal des accessoires doit au minimum égaler la vitesse recommandée sur l'étiquette d'avertissement de l'outil. Les accessoires fonctionnant à un régime plus élevé que celui pour lequel ils ont été conçus peuvent être projetés et entraîner des blessures. Le régime nominal des accessoires doit toujours se situer au-dessus de la vitesse de l'outil, tel qu'indiqué sur la plaque signalétique de l'outil.

CONSERVER CES DIRECTIVES

MOTEUR

S'assurer que le bloc d'alimentation est compatible avec l'inscription de la plaque signalétique. L'inscription « 120 volts c.a. » signifie que l'outil peut fonctionner tant avec du courant alternatif. Une baisse de tension d'aussi peu que 10 % peut provoquer une perte de puissance et occasionner une surchauffe. Tous les outils PORTER-CABLE sont testés en usine; si cet outil ne fonctionne pas, vérifier l'alimentation électrique.

ASSEMBLÉE

NOTE: Cet outil est complètement expédié s'est assemblé. Aucun temps d'assemblée ou les outils sont exigés.

SÉLECTION DU DISQUE ABRASIF

Un disque abrasif est déjà inclus avec la ponceuse pour cloison sèche. Pour obtenir des détails sur le type de grain, se reporter à l'emballage. Un numéro de grain élevé correspond à un fini plus lisse.

⚠ ATTENTION : ne tentez d'utiliser aucun abrasif autre que ceux énumérés dans la PORTER-CABLE.

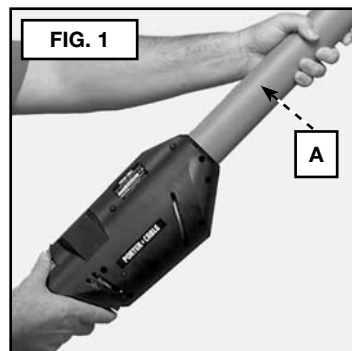
OPÉRATION

⚠ AVERTISSEMENT pour réduire le risque de blessures, éteindre l'appareil et le débrancher avant d'installer ou de retirer tout accessoire et avant d'effectuer des réglages ou des réparations. Un démarrage accidentel peut provoquer des blessures.

FAÇON DETENIR UNE PONCEUSE DE MURS SECS (FIG. 1)

Tenir la ponceuse avec les deux mains sur le tube principal (A). Disposer vos mains n'importe où le long du tube principal pour fournir la meilleure combinaison de portée et d'effet de levier.

⚠ ATTENTION : pour réduire le risque de blessures, gardez les mains sur le tube principal (A). Ne placez pas la main dans la partie entourant la tête de ponçage. La tête de ponçage pivote dans plusieurs directions et pourrait vous pincer la main.



CONNECTER LA PONCEUSE À VOTRE VAC D'ATELIER

Fourni avec cet outil sont :

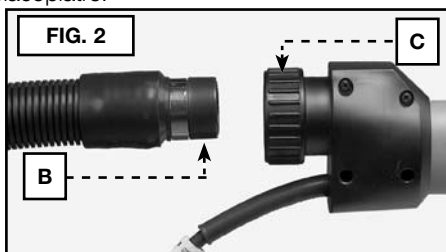
- Un 396 cm (13 pieds) le tuyau long de vide. Ce tuyau a un connecteur d'aspirateur standard sur une fin et un connecteur de pivot spécial sur l'autre fin. Il a une caractéristique dispersant statique pour disperser des charges électriques statiques.
- Un adaptateur pour ponceuse à cloisons sèches permet de la connecter au modèle d'aspirateur DEWALT DWV012.

POSEZ COMME SUIV

▲ AVERTISSEMENT pour réduire le risque de blessures, utilisation d'un sac à poussière prévu pour la poussière de placoplâtre. Manque de faire ainsi augmentera le niveau de particules de poussière en suspension dans l'air de la zone de travail. L'exposition continue et prolongée à de fortes concentrations de poussière en suspension dans l'air peut affecter le système respiratoire.

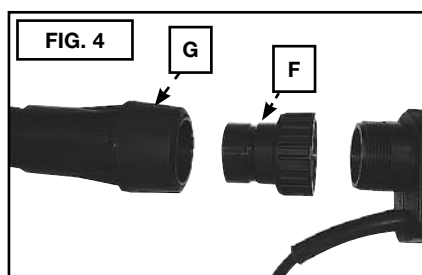
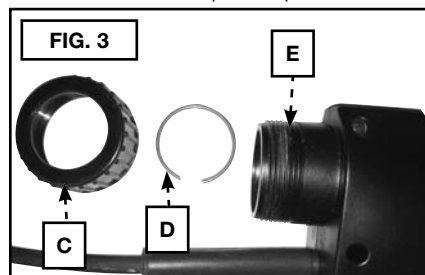
À UTILISER AVEC L'ASPIRATEUR PORTER-CABLE 7812 (Fig. 2)

1. Posez le sac à poussière spécial pour placoplâtre dans votre aspirateur, en suivant les instructions fournies avec l'aspirateur. Si ce sac à poussière ne s'insère pas correctement dans votre aspirateur, achetez et posez un sac-filtre convenable qui est prévu pour la poussière de placoplâtre.
2. Raccordez le flexible d'aspirateur à la ponceuse de murs secs: ouvrez le connecteur de flexible de la ponceuse de murs secs en tournant le gros écrou (C), en sens anti-horaire de quelques tours. Poussez le connecteur à émerillon (B), du flexible d'aspirateur dans le connecteur de la ponceuse de murs secs et caliez fermement. Tournez le gros écrou en sens horaire pour serrer le connecteur.
3. Raccordez le flexible d'aspirateur à votre aspirateur: utilisez l'adaptateur de 3,2 cm (1-1/4 po) à 6,4 cm (2-1/4 po), au besoin. Si votre aspirateur nécessite un connecteur spécial (quelque chose d'autre que les connecteurs standard de 3,2 cm (1-1/4 po) à 6,4 cm (2-1/4 po) fournis avec la ponceuse de murs secs), contactez votre fournisseur d'aspirateurs pour vous procurer l'adaptateur approprié.



À UTILISER AVEC L'ASPIRATEUR DEWALT DWV012 (Fig. 3, 4)

1. Retirez le gros écrou (C) et la bague (D) de la ponceuse de cloisons sèches (E). Conserver ces pièces pour toute utilisation ultérieure.



2. Vissez l'adaptateur (F) pour ponceuse de cloisons sèches sur la ponceuse de cloisons sèches.

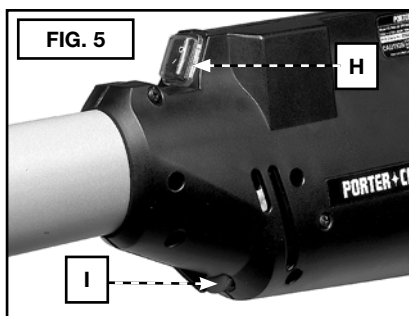
3. Rattachez l'extrémité à baïonnette du tuyau de l'aspirateur dans l'adaptateur (F) de la ponceuse de cloisons sèches. Tournez le collier (G) pour l'arrimer en place.

POUR METTRE LA PONCEUSE DE MURS SECS EN MARCHÉ ET À L'ARRÊT (FIG. 5)

Assurez-vous que la tension du circuit d'alimentation est identique à celle indiquée sur la plaque signalétique de la ponceuse, et que l'interrupteur de la ponceuse est en position d'arrêt (O). Raccordez la ponceuse au circuit d'alimentation.

La ponceuse de murs secs est équipée d'un interrupteur de type culbuteur (H). L'extrémité supérieure de l'interrupteur est marquée "O" (arrêt), et l'extrémité inférieure de l'interrupteur est marquée "I" (marche). Pour mettre la ponceuse

en marche : appuyez sur l'extrémité inférieure ("I") de l'interrupteur. Pour mettre la ponceuse à l'arrêt : appuyez sur l'extrémité supérieure ("O") de l'interrupteur.



COMMANDE DE LAVITESSE (FIG. 5)

La ponceuse pour plaques de plâtre modèle 7800 est munie d'une commande de variation de vitesse. On règle la vitesse en tournant le bouton de commande (I). Le bouton de commande est numéroté de « 1 » à « 5 », « 1 » étant la vitesse la plus basse (environ 1000 tr/min) et « 5 », étant la vitesse la plus rapide (environ 2000 tr/min).

Utilisez les réglages de vitesse plus élevée en vue d'une élimination rapide des matériaux. Utilisez le réglage de vitesse plus lente en vue de réduire le taux d'enlèvement pour un contrôle plus précis. La ponceuse pour plaques de plâtre modèle 7801 tourne au régime constant de 2000 tr/min.

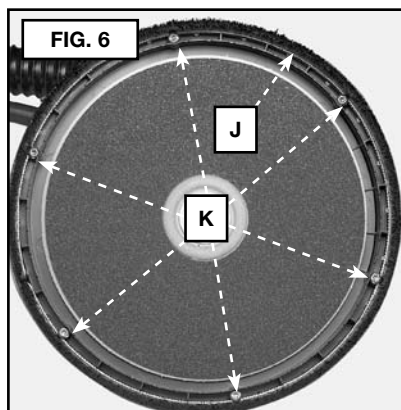
JUPE DE TYPE BROSSE (FIG. 6)

Sur le modèle 7800, une jupe de type brosse (J) entoure le patin abrasif. Cette jupe a deux fonctions:

- a jupe se prolonge sous la surface du patin abrasif de sorte qu'elle vient en contact avec la surface de l'ouvrage en premier l'ouvrage, ce qui empêche l'abrasif de « gouger » l'ouvrage.
- La jupe aide également à contenir la poussière de placoplâtre jusqu'à son enlèvement par l'aspirateur.

Si la jupe est abîmée ou si elle devient excessivement usée, elle doit être remplacée. On peut se procurer des jupes de rechange auprès de tout Centre de service PORTER-CABLE.

Comme le modèle 7801 n'a pas besoin d'aspirateur, sa jupe est plus courte mais empêche l'abrasif de « gouger » l'ouvrage.



POUR REMPLACER LA JUPE (FIG. 6)

⚠ AVERTISSEMENT pour réduire le risque de blessures, éteindre l'appareil et le débrancher avant d'installer ou de retirer tout accessoire et avant d'effectuer des réglages ou des réparations. Un démarrage accidentel peut provoquer des blessures.

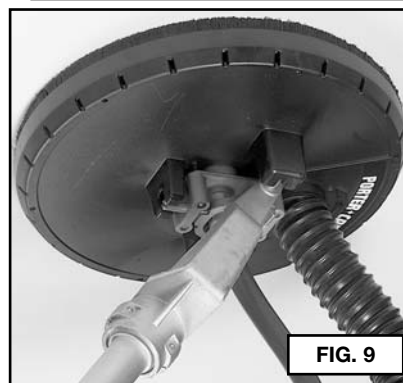
1. Retirez le patin abrasif (voir **Remplacement Du Patin Abrasif**).
2. Utilisez un tournevis pour vis en croix pour retirer les six vis de fixation (K).
3. Soulevez la jupe hors du boîtier.
4. Placez la nouvelle jupe sur le boîtier et posez les six vis de retenue.
5. Remettez le patin abrasif en place.

PONÇAGE DES MURS SECS (FIG. 7, 8, 9)

La ponceuse de murs secs possède une tête de ponçage articulée. La tête peut pivoter dans plusieurs directions, ce qui permet au patin abrasif d'épouser la surface de l'ouvrage. Ceci permet à l'opérateur de poncer les parties supérieure, centrale et inférieure d'un joint de mur ou de plafond sans changer de position.

1. Mettez l'interrupteur de l'aspirateur en position marche ("I"). (**Modèle 7800** seulement)

⚠ AVERTISSEMENT pour réduire le risque de blessures, portez toujours un respirateur approuvé par NIOSH pour la poussière et la brume.



2. Mettez l'interrupteur de la ponceuse de murs secs en position de marche ("I").
3. Positionnez la ponceuse de murs secs légèrement contre la surface de l'ouvrage (exercez juste assez de pression pour aligner la tête de ponçage sur la surface de l'ouvrage).
4. Exercez une pression supplémentaire afin d'engager le patin abrasif sur la surface de l'ouvrage: tout en déplaçant la ponceuse par mouvements de chevauchement afin de lisser la pâte à joint pour en faire un bord mince.

Exercez TOUT JUSTE assez de pression pour maintenir le patin abrasif à plat contre l'ouvrage.

Maintenez la ponceuse en mouvement constant pendant que le patin abrasif est en contact avec la surface de l'ouvrage. Utilisez un mouvement régulier de balayage. L'arrêt de la ponceuse (sur l'ouvrage) ou un mouvement irrégulier de la ponceuse peut causer des marques de tourbillonnement inacceptables et une inégalité à la surface de l'ouvrage.

REMARQUE : Ne laissez pas le patin abrasif en rotation venir en contact avec des saillies vives. Le contact avec des objets faisant saillie (clous, vis, boîtes électriques, etc.) peut abîmer considérablement le patin abrasif.

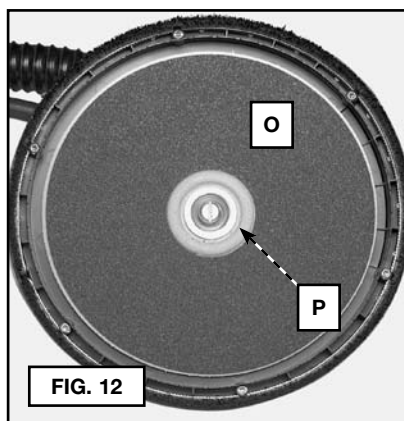
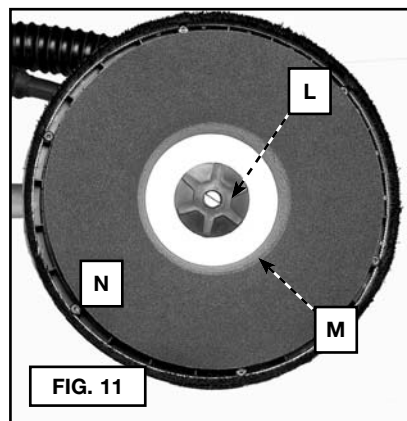
REPLACEMENT DU PATIN ABRASIF (FIG. 10, 11)

▲ AVERTISSEMENT pour réduire le risque de blessures, éteindre l'appareil et le débrancher avant d'installer ou de retirer tout accessoire et avant d'effectuer des réglages ou des réparations. Un démarrage accidentel peut provoquer des blessures.

1. Saisissez le patin abrasif et le boîtier de la ponceuse (en fixant le patin au boîtier par serrejoint) afin de prévenir la rotation du patin.
2. Tournez l'écrou de retenue du patin (L) en sens anti-horaire et déposez.
3. Soulevez la grosse rondelle métallique (M), et le patin abrasif (N).

REMARQUE : Lorsque le patin abrasif (N) est soulevé de la ponceuse, le disque d'appui abrasif (O), est exposé. Il convient de remarquer que ce disque d'appui est également recouvert d'un matériau abrasif. Ce matériau abrasif sert UNIQUEMENT à empêcher le « glissement » entre le disque d'appui et le patin abrasif à dos en mousse, il NE CONVIENT PAS à usage comme abrasif de ponçage. N'UTILISEZ PAS LA PONCEUSE SANS PATIN ABRASIF APPROPRIÉ EN PLACE.

4. Placez le nouveau patin abrasif sur le disque d'appui, en vous assurant que le trou central du disque abrasif est centré sur le moyeu (P), du disque d'appui.



5. Placez la grosse rondelle métallique (M) et l'écrou de retenue (L), sur la ponceuse.

6. Tournez l'écrou de retenue en sens horaire pour serrer à la main (tout en tenant le patin abrasif de la manière décrite à l'étape 1)

TRANSPORT ET STOCKAGE

Garder la ponceuse de murs secs au sec durant le transport et le stockage. Protéger le patin abrasif. Le contact avec un autre objet peut déformer le patin, le causant au sable inégalement. Si vous ne pouvez pas protéger le patin pendant le transport ou l'emmagasinage, enlevez et l'emmagasinez l'emmagasinez séparément.

ENTRETIEN

▲ AVERTISSEMENT Pour réduire le risque de blessures, éteindre l'appareil et le débrancher avant d'installer ou de retirer tout accessoire et avant d'effectuer des réglages ou des réparations. Un démarrage accidentel peut provoquer des blessures.

RÉPARATIONS

Pour obtenir de l'aide au sujet de l'outil, consulter notre site Web www.portercable.com pour obtenir une liste des centres de réparation ou composer le (888) 848-5175 pour le service à la clientèle de PORTER-CABLE.

INSPECTION DE LA BROSSSE

Pour votre propre sécurité et une bonne protection électrique, l'inspection et le remplacement de la brosse de l'outil doivent être exécutés UNIQUEMENT à un CENTRE DE RÉPARATION AUTORISÉ ou un CENTRE DE RÉPARATION DE L'USINE de PORTER-CABLE.

Après 100 heures environ d'utilisation, apporter ou envoyer l'outil au centre de réparation autorisé PORTER-CABLE le plus proche pour un nettoyage et une inspection approfondis. Faire remplacer les pièces usées et lubrifier avec un lubrifiant neuf. Faire installer de nouvelles brosses et tester le rendement de l'outil.

Toute perte de puissance avant ce point d'entretien pourrait indiquer la nécessité d'un entretien immédiat de l'outil. NE PAS FAIRE FONCTIONNER L'OUTIL DANS CET ÉTAT. Si le problème persiste en présence d'une tension normale, retourner l'outil à un centre de réparation pour un entretien immédiat.

NETTOYAGE

▲ AVERTISSEMENT Nous recommandons de suivre une procédure d'entretien, à savoir, d'enlever périodiquement la poussière et les éclats du carter de moteur à l'aide d'air comprimé sec et propre. Pour réduire le risque de blessures corporelles graves, **TOUJOURS** porter des lunettes de sécurité ANSI Z87.1 au moment d'utiliser l'air comprimé.

▲ AVERTISSEMENT Lors du nettoyage des pièces de plastique, utiliser uniquement du savon doux et un chiffon humide. Bon nombre de nettoyeurs domestiques renferment des produits chimiques pouvant grandement endommager le plastique. En outre, ne pas utiliser d'essence, de térébenthine, de diluant à peinture ou à laque, de liquides pour nettoyage à sec ou tout autre produit semblable qui pourrait endommager gravement les composants en plastique. **NE JAMAIS** laisser de liquide pénétrer dans l'outil et **NE JAMAIS** immerger aucune partie de l'outil dans un liquide.

LUBRICATION

L'outil a été lubrifié avec une quantité suffisante de lubrifiant de haute qualité pour la durée de vie de celui-ci sous des conditions d'utilisation normale. Aucune lubrification supplémentaire n'est nécessaire. Toutefois, il est conseillé de ramener ou d'envoyer l'outil, une fois par année, à un Centre de réparation PORTER-CABLE pour un nettoyage complet et une inspection approfondie.

DÉMARRAGE IMPOSSIBLE

Si l'outil ne démarre pas, s'assurer que les lames de la fiche du cordon d'alimentation sont bien enfoncées dans la prise de courant. Vérifier également s'il y a des fusibles grillés ou un disjoncteur déclenché

SERVICE

PIÈCES DE RECHANGE

Utiliser seulement des pièces de rechange identiques. Pour obtenir une liste des pièces de rechange ou pour en commander, consulter notre site Web au servicenet.portercable.com. Commander aussi des pièces auprès d'une succursale d'usine, ou composer le (888) 848-5175 pour le service à la clientèle.

ENTRETIEN ET RÉPARATION

Tous les outils de qualité finissent par demander un entretien ou un changement de pièce. Pour de plus amples renseignements à propos de PORTER-CABLE, ses succursales d'usine ou un centre de réparation sous garantie autorisé, consulter notre site Web au www.portercable.com ou composer le (888) 848-5175 pour le service à la clientèle. Toutes les réparations effectuées dans nos centres de réparation sont entièrement garanties contre les défauts de matériaux et de main-d'œuvre. Nous ne pouvons garantir les réparations effectuées en partie ou totalement par d'autres.

Pour de plus amples renseignements par courrier, écrire à PORTER-CABLE, 4825 Highway 45 North, Jackson, Tennessee 38305, E.-U. – à l'attention de : Product Service. S'assurer d'indiquer toutes les informations figurant sur la plaque signalétique de l'outil (numéro du modèle, type, numéro de série, etc.).

ACCESSOIRES

Une gamme complète d'accessoires est disponible auprès de votre fournisseur PORTER-CABLE, centres de réparation de l'usine PORTER-CABLE et centres de réparation agréés PORTER-CABLE. Veuillez consulter le site Web www.portercable.com pour un catalogue ou le nom du fournisseur le plus près de chez vous.

▲ AVERTISSEMENT Puisque les accessoires autres que ceux offerts par PORTER-CABLE n'ont pas été testés avec ce produit, l'utilisation de ceux-ci pourrait s'avérer dangereux. Pour un fonctionnement en toute sécurité, utiliser seulement les accessoires recommandés PORTER-CABLE avec le produit.

GARANTIE LIMITÉE DE TROIS ANS

PORTER-CABLE réparera, sans frais, tout produit défectueux causé par un défaut de matériel ou de fabrication pour une période de trois ans à compter de la date d'achat. La présente garantie ne couvre pas les pièces dont la défectuosité a été causée par une usure normale ou l'usage abusif de l'outil. Pour obtenir de plus amples renseignements sur les pièces ou les réparations couvertes par la présente garantie, visiter le site www.portercable.com ou composer le (888) 848-5175. Cette garantie ne s'applique pas aux accessoires et ne vise pas les dommages causés par des réparations effectuées par un tiers. Cette garantie confère des droits légaux particuliers à l'acheteur, mais celui-ci pourrait aussi bénéficier d'autres droits variant d'un état ou d'une province à l'autre.

En plus de la présente garantie, les outils PORTER-CABLE sont couverts par notre :

CONTRAT D'ENTRETIEN GRATUIT D'UN AN: PORTER-CABLE entretiendra l'outil et remplacera les pièces usées au cours d'une utilisation normale et ce, gratuitement, pendant une période d'un an à compter de la date d'achat, et la.

GARANTIE DE REMBOURSEMENT DE 90 JOURS: Si l'acheteur n'est pas entièrement satisfait, pour quelque raison que ce soit, du rendement de l'outil électrique ou de la cloueuse PORTER-CABLE, celui-ci peut le retourner, accompagné d'un reçu, dans les 90 jours à compter de la date d'achat, pour obtenir un remboursement intégral, sans aucun problème.

AMÉRIQUE LATINE : Cette garantie ne s'applique aux produits vendus en Amérique latine. Pour ceux-ci, veuillez consulter les informations relatives à la garantie spécifique présente dans l'emballage, appeler l'entreprise locale ou consulter le site Web pour les informations relatives à cette garantie.

Pour enregistrer l'outil en vue d'obtenir un service de garantie, consulter notre site Web au www.portercable.com.

REMPACEMENT GRATUIT DE L'ÉTIQUETTE

Si les étiquettes d'avertissement deviennent illisibles ou sont manquantes, composer le (888) 848-5175 pour en obtenir le remplacement gratuit.

**Model 7800 9" (230mm) Dry Wall Sander
Variable Speed**

⚠ WARNING To reduce the risk of injury, user must read and understand instruction manual. Always use proper eye and respiratory protection.

⚠ ADVERTENCIA Para disminuir el riesgo de lesiones, el usuario deberá leer y comprender el manual de instrucciones. Siempre se deberá llevar la protección apropiada para la vista y para las vías respiratorias.

⚠ AVERTISSEMENT Afin de minimiser les risques de blessures, l'utilisateur doit toujours lire et comprendre le guide d'utilisation. Il faut toujours porter de l'équipement de protection oculaire et respiratoire approprié.

⚠ WARNING DO NOT REMOVE GROUND PIN FROM PLUG	⚠ WARNING DO NOT REMOVE GROUND PIN FROM PLUG
⚠ ADVERTENCIA NO quite el terminal de conexión a tierra del enchufe	⚠ AVERTISSEMENT NE retirez pas la broche de mise à la terre de la fiche

PAUTAS DE SEGURIDAD/DEFINICIONES

⚠ PELIGRO Indica una situación de peligro inminente que, si no se evita, **provocará la muerte o lesiones graves.**

⚠ ADVERTENCIA: Indica una situación de peligro potencial que, si no se evita, **podría** provocar la **muerte o lesiones graves.**

⚠ ATENCIÓN: Indica una situación de peligro potencial que, si no se evita, **puede** provocar **lesiones leves o moderadas.**

AVISO: Se refiere a una práctica **no relacionada a lesiones corporales** que de no evitarse **puede** resultar en **daños a la propiedad.**



⚠ ADVERTENCIA: Para reducir el riesgo de lesiones, lea el manual de instrucciones.

ADVERTENCIAS GENERALES DE SEGURIDAD PARA HERRAMIENTAS ELÉCTRICAS

⚠ ADVERTENCIA: **Lea todas las advertencias de seguridad e instrucciones** El incumplimiento de las advertencias e instrucciones puede provocar descargas eléctricas, incendios o lesiones graves.

CONSERVE TODAS LAS ADVERTENCIAS E INSTRUCCIONES PARA FUTURAS CONSULTAS

El término “herramienta eléctrica” incluido en las advertencias hace referencia a las herramientas eléctricas operadas con corriente (con cable eléctrico) o a las herramientas eléctricas operadas con baterías (inalámbricas).

1) SEGURIDAD EN EL ÁREA DE TRABAJO

- a) **Mantenga el área de trabajo limpia y bien iluminada.** Las áreas abarrotadas y oscuras propician accidentes.
- b) **No opere las herramientas eléctricas en atmósferas explosivas, como ambientes donde haya polvo, gases o líquidos inflamables.** Las herramientas eléctricas originan chispas que pueden encender el polvo o los vapores.
- c) **Mantenga alejados a los niños y a los espectadores de la herramienta eléctrica en funcionamiento.** Las distracciones pueden provocar la pérdida de control.

2) SEGURIDAD ELÉCTRICA

- a) **Los enchufes de la herramienta eléctrica deben adaptarse al tomacorriente. Nunca modifique el enchufe de ninguna manera. No utilice ningún enchufe adaptador con herramientas eléctricas con conexión a tierra.** Los enchufes no modificados y que se adaptan a los tomacorrientes reducirán el riesgo de descarga eléctrica.
- b) **Evite el contacto corporal con superficies con descargas a tierra como, por ejemplo, tuberías, radiadores, cocinas eléctricas y refrigeradores.** Existe mayor riesgo de descarga eléctrica si su cuerpo está puesto a tierra.
- c) **No esponga las herramientas eléctricas a la lluvia o a condiciones de humedad.** Si entra agua a una herramienta eléctrica, aumentará el riesgo de descarga eléctrica.

- d) **No maltrate el cable. Nunca utilice el cable para transportar, tirar o desenchufar la herramienta eléctrica. Mantenga el cable alejado del calor, el aceite, los bordes filosos y las piezas móviles.** Los cables dañados o enredados aumentan el riesgo de descarga eléctrica.
- e) **Al operar una herramienta eléctrica en el exterior, utilice un cable prolongador adecuado para tal uso.** Utilice un cable adecuado para uso en exteriores a fin de reducir el riesgo de descarga eléctrica.
- f) **Si el uso de una herramienta eléctrica en un lugar húmedo es imposible de evitar, utilice un suministro protegido con un interruptor de circuito por falla a tierra (GFCI).** El uso de un GFCI reduce el riesgo de descargas eléctricas.

3) SEGURIDAD PERSONAL

- a) **Permanezca alerta, controle lo que está haciendo y utilice el sentido común cuando emplee una herramienta eléctrica. No utilice una herramienta eléctrica si está cansado o bajo el efecto de drogas, alcohol o medicamentos.** Un momento de descuido mientras se opera una herramienta eléctrica puede provocar lesiones personales graves.
- b) **Utilice equipos de protección personal. Siempre utilice protección para los ojos.** En las condiciones adecuadas, el uso de equipos de protección, como máscaras para polvo, calzado de seguridad antideslizante, cascos o protección auditiva, reducirá las lesiones personales.
- c) **Evite el encendido por accidente. Asegúrese de que el interruptor esté en la posición de apagado antes de conectarlo a la fuente de energía o paquete de baterías, o antes de levantar o transportar la herramienta.** Transportar herramientas eléctricas con el dedo apoyado en el interruptor o enchufar herramientas eléctricas con el interruptor en la posición de encendido puede propiciar accidentes.
- d) **Retire la clavija de ajuste o la llave de tuercas antes de encender la herramienta eléctrica.** Una llave de tuercas o una clavija de ajuste que quede conectada a una pieza giratoria de la herramienta eléctrica puede provocar lesiones personales.
- e) **No se estire. Conserve el equilibrio y párese adecuadamente en todo momento.** Esto permite un mejor control de la herramienta eléctrica en situaciones inesperadas.
- f) **Use la vestimenta adecuada. No use ropas holgadas ni joyas. Mantenga el cabello, la ropa y los guantes alejados de las piezas en movimiento.** Las ropas holgadas, las joyas o el cabello largo pueden quedar atrapados en las piezas en movimiento.
- g) **Si se suministran dispositivos para la conexión de accesorios con fines de recolección y extracción de polvo, asegúrese de que estén conectados y que se utilicen correctamente.** El uso de dispositivos de recolección de polvo puede reducir los peligros relacionados con el polvo.

4) USO Y MANTENIMIENTO DE LA HERRAMIENTA ELÉCTRICA

- a) **No fuerce la herramienta eléctrica. Utilice la herramienta eléctrica correcta para el trabajo que realizará.** Si se la utiliza a la velocidad para la que fue diseñada, la herramienta eléctrica correcta permite trabajar mejor y de manera más segura.
- b) **No utilice la herramienta eléctrica si no puede encenderla o apagarla con el interruptor.** Toda herramienta eléctrica que no pueda ser controlada mediante el interruptor es peligrosa y debe repararse.
- c) **Desconecte el enchufe de la fuente de energía o el paquete de baterías de la herramienta eléctrica antes de realizar ajustes, cambiar accesorios o almacenar la herramienta eléctrica.** Estas medidas de seguridad preventivas reducen el riesgo de encender la herramienta eléctrica en forma accidental.

- d) **Guarde la herramienta eléctrica que no esté en uso fuera del alcance de los niños y no permita que otras personas no familiarizadas con ella o con estas instrucciones operen la herramienta.** Las herramientas eléctricas son peligrosas si son operadas por usuarios no capacitados.
- e) **Realice el mantenimiento de las herramientas eléctricas. Revise que no haya piezas en movimiento mal alineadas o trabadas, piezas rotas o cualquier otra situación que pueda afectar el funcionamiento de la herramienta eléctrica. Si encuentra daños, haga reparar la herramienta eléctrica antes de utilizarla.** Se producen muchos accidentes a causa de las herramientas eléctricas que carecen de un mantenimiento adecuado.
- f) **Mantenga las herramientas de corte afiladas y limpias.** Las herramientas de corte con mantenimiento adecuado y con los bordes de corte afilados son menos propensas a trabarse y son más fáciles de controlar.
- g) **Utilice la herramienta eléctrica, los accesorios y las brocas de la herramienta, etc. de acuerdo con estas instrucciones y teniendo en cuenta las condiciones de trabajo y el trabajo que debe realizarse.** El uso de la herramienta eléctrica para operaciones diferentes de aquéllas para las que fue diseñada podría originar una situación peligrosa.

5) MANTENIMIENTO

- a) **Solicite a una persona calificada en reparaciones que realice el mantenimiento de su herramienta eléctrica y que sólo utilice piezas de repuesto idénticas.** Esto garantizará la seguridad de la herramienta eléctrica.

NORMAS DE SEGURIDAD ESPECÍFICAS ADICIONALES

ADVERTENCIAS DE SEGURIDAD COMUNES PARA TODAS LAS OPERACIONES DE ESMERILADO, LIJADO, CEPILLADO CON CEPILLO DE ALAMBRE Y PULIDO, Y PARA OPERACIONES DE CORTE ABRASIVO:

- a) **Esta herramienta eléctrica funciona como lijadora.** Lea todas las advertencias de seguridad, instrucciones, ilustraciones y especificaciones provistas con esta herramienta eléctrica. El incumplimiento de todas las instrucciones enumeradas a continuación puede provocar una descarga eléctrica, un incendio o lesiones graves.
- b) **No se recomienda realizar operaciones de esmerilado, pulidora, cepillado con cepillo de alambre o corte con esta herramienta eléctrica.** El uso de la herramienta eléctrica para las operaciones para las que no fue diseñada puede provocar un riesgo y causar lesiones personales.
- c) **No utilice accesorios que no estén diseñados y recomendados específicamente por el fabricante de la herramienta.** El hecho que el accesorio pueda conectarse a la herramienta eléctrica no garantiza un funcionamiento seguro.
- d) **La velocidad nominal del accesorio debe ser equivalente a la velocidad máxima indicada en la herramienta eléctrica, como mínimo.** Los accesorios que funcionen más rápido que su VELOCIDAD NOMINAL pueden romperse y desprenderse.
- e) **El diámetro externo y el grosor del accesorio deben estar dentro del rango de capacidad de la herramienta eléctrica.** Los accesorios de tamaño incorrecto no pueden protegerse ni controlarse adecuadamente.
- f) **El tamaño del eje de los discos, las bridas, las almohadillas de respaldo y cualquier otro accesorio debe adaptarse correctamente al eje de la herramienta eléctrica.** Los accesorios con orificios que no coincidan con el sistema de montaje de la herramienta eléctrica se desequilibrarán, vibrarán excesivamente y pueden producir la pérdida de control de la herramienta.
- g) **No utilice un accesorio dañado.** Inspeccione el accesorio antes de cada uso; por ejemplo, el disco abrasivo para verificar que no tenga astillas ni grietas;

la almohadilla de respaldo para detectar si hay grietas, desprendimientos o desgaste excesivo y el cepillo de alambre para ver si tiene alambres sueltos o quebrados. Si la herramienta eléctrica o el accesorio sufre una caída, inspeccione para ver si hay daños o instale un accesorio en buen estado. Después de inspeccionar e instalar un accesorio, ubíquese y ubique a los espectadores lejos del plano del accesorio giratorio y haga funcionar la herramienta a velocidad máxima sin carga durante un minuto. Los accesorios dañados generalmente se romperán durante esta prueba.

- h) **Utilice equipos de protección personal.** Según la aplicación, debe usar protector facial, anteojos de seguridad o lentes de seguridad. Según corresponda, utilice máscara para polvo, protectores auditivos, guantes y delantal de taller para protegerse de los pequeños fragmentos abrasivos y de los fragmentos de la pieza de trabajo. La protección para los ojos debe ser capaz de detener los residuos volátiles que se generan en las diferentes operaciones. La máscara para polvo o respirador debe ser capaz de filtrar las partículas generadas por el funcionamiento de la herramienta. La exposición prolongada al ruido intenso puede provocar pérdida de la audición.
- i) **Mantenga a los espectadores a una distancia segura del área de trabajo.** Toda persona que ingrese al área de trabajo debe utilizar equipos de protección personal. Los fragmentos de una pieza de trabajo o de un accesorio roto pueden volar y provocar lesiones más allá del área de operaciones cercana.
- j) **Cuando realice una operación en que el accesorio de corte pueda tocar cables eléctricos ocultos o su propio cable, sostenga la herramienta solamente por las superficies de agarre aisladas.** El contacto con un cable con “corriente eléctrica” hará que las partes metálicas expuestas de la herramienta también tengan “corriente eléctrica” y el operador sufra una descarga.
- k) **Coloque el cable lejos del accesorio giratorio.** Si pierde el control de la herramienta, el cable puede cortarse o enredarse y jalarle la mano o el brazo hacia el accesorio giratorio.
- l) **Nunca apoye la herramienta hasta que el accesorio se haya detenido completamente.** El accesorio giratorio puede enganchar la superficie y producir la pérdida de control de la herramienta.
- m) **No haga funcionar la herramienta eléctrica mientras la carga a su lado.** El contacto accidental con el accesorio giratorio puede hacer que éste se le enganche en la ropa y lance el accesorio hacia su cuerpo.
- n) **Limpie periódicamente los orificios de ventilación de la herramienta eléctrica.** El ventilador del motor atraerá el polvo dentro de la cubierta, y la acumulación excesiva de polvo metálico puede producir riesgos eléctricos.
- o) **No use la herramienta eléctrica cerca de materiales inflamables.** Las chispas pueden encender estos materiales.
- p) **No utilice accesorios que requieran refrigerantes líquidos.** El uso de agua u otros refrigerantes líquidos puede producir una electrocución o descarga eléctrica.

ADVERTENCIAS SOBRE EL RETROCESO

El retroceso es una reacción repentina al pellizco o atascamiento de un disco giratorio, una almohadilla de respaldo, un cepillo o cualquier otro accesorio. El pellizco o el atascamiento hacen que el accesorio giratorio se trabe rápidamente, lo que a su vez provoca que la herramienta eléctrica fuera de control vaya en sentido opuesto al giro del accesorio en el punto del atascamiento.

Por ejemplo, si la pieza de trabajo atasca o pellizca la almohadilla de respaldo, el borde de la almohadilla que ingresa en el punto de pliegue puede clavarse en la superficie del material y provocar que el disco salte o se desenganche. El disco puede saltar hacia el operador o en sentido contrario, según la dirección del movimiento del disco en el punto de pellizco.

El retroceso es el resultado de un mal uso de la herramienta o de condiciones o procedimientos operativos incorrectos y se puede evitar tomando las precauciones apropiadas que se indican a continuación.

- a) **Sostenga la herramienta eléctrica con firmeza y ubique el cuerpo y el brazo para poder resistir las fuerzas de retroceso.** Siempre utilice el mango lateral, en caso de tenerlo, para lograr el máximo control sobre el retroceso o la reacción de torsión durante el encendido. El operador puede controlar la reacción de torsión o las fuerzas de retroceso si toma las precauciones adecuadas.
- b) **Nunca coloque la mano cerca del accesorio giratorio,** ya que éste puede hacer un retroceso sobre la mano.
- c) **No ubique el cuerpo en el área hacia donde la herramienta eléctrica se desplazará si se produce un retroceso.** El retroceso impulsará la herramienta en la dirección opuesta al movimiento del disco en el punto de atascamiento.
- d) **Tenga especial cuidado al trabajar en esquinas, bordes filosos, etc. Evite hacer rebotar o enganchar el accesorio.** Las esquinas, los bordes filosos y el rebote tienden a enganchar el accesorio giratorio y producir la pérdida de control o el retroceso de la unidad.
- e) **No conecte una hoja para carpintería para sierra de cadena ni una hoja de sierra dentada.** Estas hojas puede producir el retroceso y la pérdida de control frecuentes.

ADVERTENCIAS DE SEGURIDAD ESPECÍFICAS PARA OPERACIONES DE LIJADO:

- a) **No utilice papel para disco de lijar con sobreespesor excesivo. Siga las recomendaciones del fabricante al seleccionar el papel de lija.** Los papeles de lija más grandes que sobrepasan la almohadilla de lijado representan un peligro de laceración y pueden provocar el retroceso o que el disco se enganche o se rompa.
- **Los orificios de ventilación suelen cubrir piezas en movimiento, por lo que también se deben evitar.** Las piezas en movimiento pueden atrapar prendas de vestir sueltas, joyas o el cabello largo.
 - **Los hilos del alargador deben ser de un calibre apropiado (AWG o American Wire Gauge) para su seguridad.** Mientras menor sea el calibre del hilo, mayor la capacidad del cable. Es decir, un hilo calibre 16 tiene mayor capacidad que uno de 18. Un cable de un calibre insuficiente causará una caída en la tensión de la línea dando por resultado una pérdida de energía y sobrecalentamiento. Cuando se utilice más de un alargador para completar el largo total, asegúrese que los hilos de cada alargador tengan el calibre mínimo. La tabla siguiente muestra el tamaño correcto a utilizar, dependiendo de la longitud del cable y del amperaje nominal de la placa de identificación. Si tiene dudas sobre cuál calibre usar, use un calibre mayor. Cuanto más pequeño sea el número del calibre, más resistente será el cable.

Calibre mínimo para cables de alimentación						
Amperaje		Voltios	Largo total del cordón en metros (pies)			
		120 V	7,6 (25)	15,2 (50)	30,5 (100)	45,7 (150)
		240 V	15,2 (50)	30,5 (100)	61,0 (200)	91,4 (300)
Más de	No más de	AWG				
0	6		18	16	16	14
6	10		18	16	14	12
10	12		16	16	14	12
12	16		14	12	No recomendado	

⚠ ADVERTENCIA: Use **SIEMPRE** lentes de seguridad. Los anteojos de diario **NO SON** lentes de seguridad. Utilice además una cubrebocas o mascarilla antipolvo si la operación de corte genera demasiado polvo. **SIEMPRE LLEVE EQUIPO DE SEGURIDAD CERTIFICADO:**

- Protección ocular ANSI Z87.1 (CAN/CSA Z94.3),
- Protección auditiva ANSI S12.6 (S3.19),
- Protección respiratoria NIOSH/OSHA/MSHA.

⚠ ADVERTENCIA: Algunas partículas de polvo generadas al lijar, serrar, esmerilar y taladrar con herramientas eléctricas, así como al realizar otras actividades de construcción, contienen químicos que el Estado de California sabe que pueden producir cáncer, defectos congénitos u otras afecciones reproductivas. Ejemplos de estos químicos son:

- plomo de algunas pinturas en base a plomo,
- polvo de sílice proveniente de ladrillos y cemento y otros productos de albañilería, y
- arsénico y cromo provenientes de madera tratada químicamente.

Su riesgo de exposición a estos químicos varía, dependiendo de la frecuencia con la cual realiza usted este tipo de trabajo. Para reducir su exposición a estas sustancias químicas: trabaje en una zona bien ventilada y llevando equipos de seguridad aprobados, como mascarillas antipolvo especialmente diseñadas para filtrar partículas microscópicas.

- **Evite el contacto prolongado con polvo generado por el lijado, aserrado, pulido, taladrado y otras actividades de construcción. Vista ropas protectoras y lave las áreas de la piel expuestas con agua y jabón.** Si permite que el polvo se introduzca en la boca u ojos o quede sobre la piel, puede favorecer la absorción de productos químicos peligrosos.

⚠ ADVERTENCIA: La utilización de esta herramienta puede generar polvo o dispersarlo, lo que podría causar daños graves y permanentes al sistema respiratorio, así como otras lesiones. Siempre use protección respiratoria aprobada por NIOSH (Instituto Nacional de Seguridad y Salud en el Trabajo) u OSHA (Administración de Seguridad y Salud en el Trabajo) apropiada para la exposición al polvo. Dirija las partículas en dirección contraria a la cara y el cuerpo.

⚠ ADVERTENCIA: **Siempre lleve la debida protección auditiva personal en conformidad con ANSI S12.6 (S3.19) durante el uso de esta herramienta.** Bajo algunas condiciones y duraciones de uso, el ruido producido por este producto puede contribuir a la pérdida auditiva.

- La etiqueta de su herramienta puede incluir los siguientes símbolos. A continuación se indican los símbolos y sus definiciones:

V.....voltios	A..... amperios
Hz.....hertz	W..... vatios
minminutos	~ o AC..... corriente alterna
— o DC ...corriente directa	⊘ o AC/DC... corriente alterna o directa
⚠Construcción de Clase I (tierra)	n velocidad nominal
□Construcción de Clase II (doble aislamiento)	n _o velocidad sin carga
.../minpor minuto	

IPM	impactos por minuto	⊖	terminal de conexión a tierra
sfpm	pies de superficie por minuto	⚠	símbolo de advertencia de seguridad
RPM	revoluciones por minuto	SPM	pasadas por minuto
BPM	golpes por minuto		

LA SEGURIDAD ADICIONAL GOBIERNA PARA LA ELIMINACION DE PINTURA

1. NO SE RECOMIENDA lijar pintura con base plomo debido a la dificultad para controlar el polvo contaminado. El peligro de envenenamiento por plomo es más importante para los niños y las mujeres embarazadas.
2. Como es difícil identificar si una pintura contiene o no plomo sin realizar análisis químicos, recomendamos tomar las siguientes precauciones al lijar cualquier pintura:

SEGURIDAD PERSONAL

1. Ningún niño o mujer embarazada debe ingresar al área de trabajo donde se lija la pintura hasta que se haya terminado la limpieza final.
2. Todas las personas que ingresan al área de trabajo deben usar una máscara para polvo o una mascarilla de respiración. El filtro se debe cambiar diariamente o cada vez que el usuario tenga dificultad para respirar. Consulte en la ferretería local cuál es la máscara para polvo adecuada, aprobada por el NIOSH.
3. NO SE DEBE COMER, BEBER O FUMAR en el área de trabajo para evitar ingerir partículas de pintura contaminada. Los trabajadores se deben lavar y limpiar ANTES de comer, beber o fumar. No se deben dejar artículos para comer, beber o fumar en el área de trabajo donde se podría depositar polvo sobre ellos.

SEGURIDAD AMBIENTAL

1. La pintura debe ser retirada de forma tal de reducir al mínimo la cantidad de polvo generado.
2. Las áreas donde se realiza remoción de pintura deben estar selladas con hojas de plástico de 0,10 mm (4 milésimas de pulgada) de espesor.
3. El lijado se debe realizar de manera de reducir los vestigios de polvo de pintura fuera del área de trabajo.

LIMPIEZA Y ELIMINACIÓN

1. Todas las superficies del área de trabajo deben ser limpiadas cuidadosamente y repasadas con aspiradora todos los días mientras dure el proyecto de lijado. Se deben cambiar con frecuencia las bolsas de filtro de la aspiradora.
2. Las telas plásticas del piso se deben recoger y eliminar junto con cualquier resto de polvo u otros residuos del lijado. Deben colocarse en recipientes de desperdicios sellados y eliminarse por medio de los procedimientos normales de recolección de residuos. Durante la limpieza, los niños y las mujeres embarazadas deben mantenerse lejos del área de trabajo inmediata.
3. Todos los juguetes, muebles lavables y utensilios utilizados por los niños deben ser lavados cuidadosamente antes de ser utilizados nuevamente.

⚠ ADVERTENCIA: Los accesorios deben estar clasificados para la velocidad recomendada en la etiqueta de advertencia de la herramienta, como mínimo. Los accesorios que funcionen por encima de su velocidad nominal pueden desarmarse y provocar lesiones. La velocidad nominal de los accesorios debe ser siempre superior a la velocidad de la herramienta, indicada en la placa de ésta.

¡CONSERVE ESTAS INSTRUCCIONES!

MOTOR

Asegúrese de que el suministro de energía concuerde con lo marcado en la placa. 120 voltios CA significa que la herramienta funcionará con corriente alterna. Un 10% menos de voltaje puede provocar pérdida de potencia y resultar en el recalentamiento de la herramienta. Todas las herramientas PORTER-CABLE son probadas en fábrica; si esta herramienta no funciona, controle el suministro eléctrico.

ASAMBLEA

NOTA: Este instrumento se envía es reunido completamente. Ningún tiempo de la asamblea ni instrumentos se requieren.

PARA ESCOGER EL DISCO ABRASIVO

La lijadora para panel de yeso ya viene con un disco abrasivo. Para obtener detalles sobre el tipo de grano, consulte el embalaje del producto. Cuanto mayor es el grano, más liso es el acabado.

⚠ ATENCIÓN: No intente usar un abrasivo que no esté enumerado en la PORTER-CABLE.

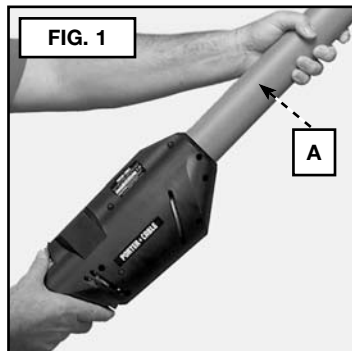
OPERACIÓN

⚠ ADVERTENCIA: Para reducir el riesgo de lesiones, apague la unidad y desconéctela de la fuente de alimentación antes de instalar o retirar accesorios, ajustar o cambiar configuraciones o realizar reparaciones. Un arranque accidental podría causar lesiones.

COMO AGARRAR LA LIJADORA PARA PAREDES EN SECO (FIG. 1)

Tenga la lijadora con ambos entrega en el tubo principal (A). Posicione las manos dondequiera por el tubo principal para proporcionar la mejor combinación del alcance y el apalancamiento.

⚠ ATENCIÓN: Para reducir el riesgo de lesiones, mantenga las manos sobre el Tubo Principal (A). No meta las manos en el área de la cabeza de lija. La cabeza se gira en una multitud de direcciones y es posible que le pellizque la mano.



CONECTE LA LIJADORA PARA PARED DE TIPO SECO A LA ASPIRADORA

Amueblado con este instrumento son:

- Una manguera para aspiradora, 13 pies (casi 4 metros) de largo. Incluye un acoplamiento estándar de 3,2 cm (1-1/4") para aspiradora en un extremo y un acoplamiento giratorio especial en el otro extremo para la Lijadora. También tiene la atracción de disipar las cargas estáticas de electricidad que a veces resultan al aspirar el polvo de las paredes en seco.

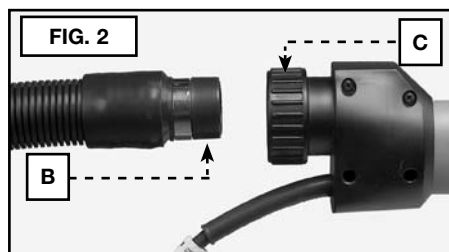
- Un adaptador de lijadora para paredes en seco permite la conexión a una aspiradora DWV012 DEWALT.

PARA INSTALAR

⚠ ADVERTENCIA: Para reducir el riesgo de lesiones, utilice una bolsa con una clasificación nominal para usar con el polvo de las paredes en seco. Falta de hacer tan aumentará la cantidad de polvo en el aire n el área de trabajo. El exponerse continuamente y prolongadamente a altas concentraciones de polvo en el aire puede afectar el funcionamiento del sistema respiratorio.

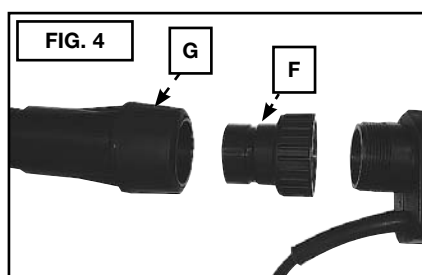
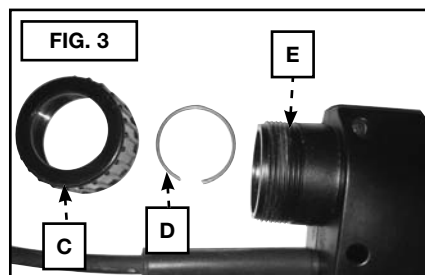
PARA USO CON LA ASPIRADORA 7812 PORTER-CABLE (FIG. 2)

1. Para instalar la bolsa especial de polvo en su aspiradora, siga las instrucciones provistas con la aspiradora. Si esta bolsa no se ajusta correctamente a su aspiradora, compre e instale una bolsa de filtro apropiada que tenga una clasificación nominal para el polvo de las paredes en seco.
2. Conecte la manguera de la aspiradora a la Lijadora para Paredes en Seco: Dando unas dos vueltas a la tuerca grande (C), en el sentido contrario a las manecillas del reloj, abra el acoplamiento de la manguera para la Lijadora. Meta (empuje) el acoplamiento giratorio de la manguera (B), en el acoplamiento de la Lijadora para Paredes en Seco y asíéntelo firmemente. Dé vuelta a la tuerca grande en el sentido de las manecillas del reloj para apretar el acoplamiento
3. Conecte la manguera a la aspiradora: Si es necesario, use el adaptador de 3,2 cm (1-1/4") a 6,4 cm (2-1/4"). Si su aspiradora requiere un acoplamiento especial (uno que no sea el acoplamiento estándar de 3,2 cm (1-1/4") a 6,4 (2-1/4") que está provisto con la Lijadora para Paredes en Seco), póngase en contacto con el suministrador de su aspiradora para obtener el adaptador apropiado.



PARA USO CON LA ASPIRADORA DWV012 DEWALT (FIG. 3, 4)

1. Saque la tuerca grande (C) y el anillo (D) de la lijadora para paredes en seco (E). Guarde estas piezas para un futuro uso.

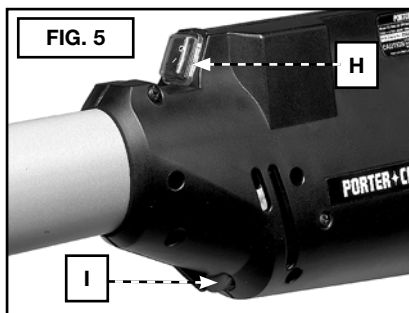


2. Enrosque el adaptador de la lijadora para paredes en seco (F) en la lijadora.
3. Fije el extremo de la manguera de la aspiradora con cierre giratorio al adaptador de la lijadora para paredes en seco (F). Gire el collarín (G) para bloquearlo en su sitio.

PARA PONER EN MARCHA Y PARAR LA LIJADORA (FIG. 5)

Asegúrese de que el voltaje del circuito sea el mismo que el indicado en la placa de especificaciones de la Lijadora y que el interruptor de la Lijadora esté en la posición apagada, "O". Conecte la Lijadora al circuito eléctrico.

La Lijadora para Paredes en Seco viene con un interruptor de estilo "balancín" (H). El extremo superior del interruptor está marcado con la palabra "O" (parar), apagada y el inferior tiene la palabra "I" (marcha), prendida. Para poner la Lijadora en marcha, empuje el extremo inferior del interruptor "I". Para pararla apriete el extremo superior del interruptor "O".



PARA CONTROLAR LA VELOCIDAD (FIG. 5)

La lijadora para pared de tipo seco modelo 7800 está equipada con un control de velocidad variable. Se puede ajustar la velocidad al dar vuelta a la perilla de control (I). La perilla de control está numerada desde el "1" hasta el "5". El "1" es para la velocidad más lenta (aproximadamente 1000 rpm) y el "5" da la velocidad más rápida (aproximadamente 2000 rpm).

Use las velocidades altas para quitar material más rápidamente. Use las velocidades bajas para disminuir la rapidez de lijar y para tener un control más preciso. La lijadora para pared de tipo seco modelo 7801 tiene una velocidad constante de 2000 rpm.

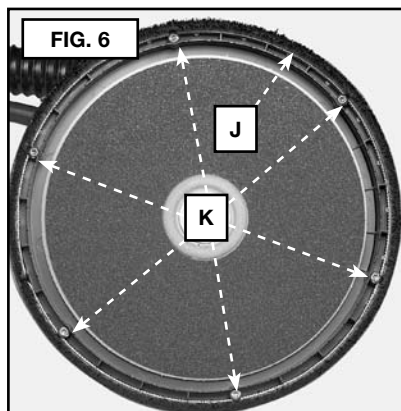
LA FALDA DE CEPILLO (FIG. 6)

Una falda de tipo escobilla (J) rodea el cojín abrasivo en el Modelo 7800. Esta falda sirve dos propósitos:

- Extiende debajo de la superficie de la almohadilla abrasiva para prevenir el abrasivo de "escopleadura" el trabajo.
- Ayuda a contener el polvo de muro sin cemento hasta que la aspiradora lo tire lejos.

Reemplace la falda si se daña o si se lleva excesivamente. Las faldas del reemplazo están disponibles de cualquier Centro de reparaciones de PORTER-CABLE.

Como el modelo 7801 no necesita aspiradora, la falda es más corta, pero prevendrá el abrasivo de "escopleadura" el trabajo.



PARA REEMPLAZAR LA FALDA (FIG. 6)

⚠ ADVERTENCIA: Para reducir el riesgo de lesiones, apague la unidad y desconéctela de la fuente de alimentación antes de instalar o retirar accesorios, ajustar o cambiar configuraciones o realizar reparaciones. Un arranque accidental podría causar lesiones.

1. Quite el cojín abrasivo (vea **Para Reemplazar El Cojin Abrasivo.**)
2. Utilice un destornillador de cruz para sacar los seis tornillos de retención (K).
3. Levante y quite la falda de la cabeza de la lijadora.
4. Coloque una falda nueva in la cabeza e instale los seis tornillos de retencion.
5. Reemplace el cojun abrasivo.

PARA LIJAR LAS PAREDES EN SECO (FIG. 7, 8, 9)

La Lijadora para Paredes en Seco tiene una cabeza única para lijar. La cabeza puede girar en una multitud de direcciones permitiendo que el cojín se conforme a la superficie del trabajo. Esto permite que el operario lije la parte de arriba, la parte del medio y la de abajo de una pared o unión de cielo (techo) sin cambiar su posición.

1. Ponga el interruptor de la aspiradora en la posición de encendido ("I"). (Model 7800 solamente).

⚠ ADVERTENCIA: Para reducir el riesgo de lesiones, use un respirador aprobado por NIOSH para el "polvo y la niebla".

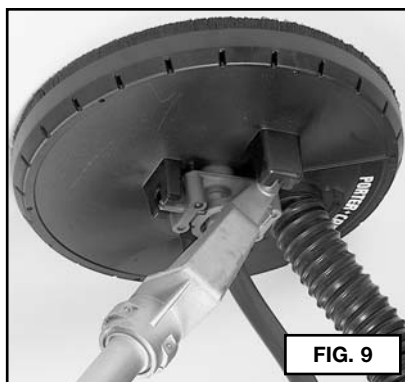
2. Ponga la Lijadora para Paredes en Seco en marcha ("I").
3. Coloque la Lijadora ligeramente contra la superficie del trabajo (aplique sólo suficiente presión para alinear la cabeza de lijar con la superficie del trabajo).
4. Aumente la presión para frotar el cojín abrasivo contra la superficie del trabajo mientras traslapa los movimientos de lijar para obtener un canto vivo en el yeso. Aplique sólo suficiente presión para mantener el cojín abrasivo plano contra el trabajo.

Mantenga el movimiento de la Lijadora mientras el cojín abrasivo esté en contacto con la superficie del trabajo. Use un movimiento constante y amplio.

Una presión excesiva, parando la Lijadora (en el trabajo) o moviéndola de una manera irregular puede formar remolinos inaceptables y causar irregularidades en la superficie del trabajo.

NOTA: No deje que el cojín giratorio toque salientes agudos. Contacto con estos objetos (tal como los clavos, los tornillos, las cajas de salida y etc.) puede dañar seriamente el cojín abrasivo





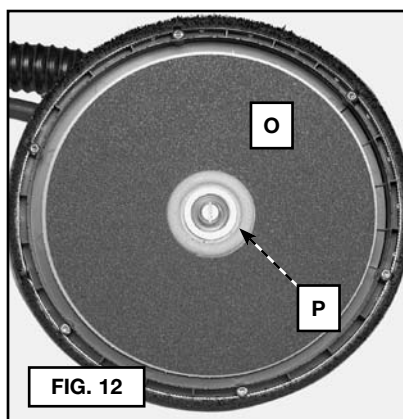
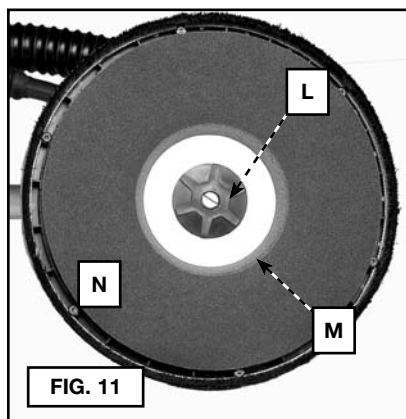
REEMPLAZO ABRASIVO DE ALMOHADILLA (FIG. 10, 11)

⚠ ADVERTENCIA: Para reducir el riesgo de lesiones, apague la unidad y desconéctela de la fuente de alimentación antes de instalar o retirar accesorios, ajustar o cambiar configuraciones o realizar reparaciones. Un arranque accidental podría causar lesiones.

1. Agarre el cojín abrasivo y la cabeza de lijar para que el cojín no gire.
2. Destornille la tuerca de retención del cojín (L), en el sentido contrario a las manecillas del reloj y remuévala.
3. Quite la arandela grande de metal (M), y el cojín abrasivo (N).

NOTA: Al quitar el cojín abrasivo (N), de la Lijadora; se puede ver un disco de apoyo (O). Este disco también tiene una superficie abrasiva. Este material abrasivo solamente evita el resbalamiento entre este disco y el cojín con respaldo de gomespuma y no es apropiado para lijar. No use la Lijadora sin que un cojín abrasivo apropiado esté instalado.

4. Coloque el nuevo cojín abrasivo sobre el disco de apoyo y asegúrese de que el agujero del cojín esté centrado con el cubo (P), del disco de apoyo



5. Coloque la arandela grande de metal (M), y la tuerca de retención (L) en la Lijadora.
6. Apriete a mano la tuerca de retención en el sentido de las manecillas del reloj (mientras detiene el cojín como está indicado en el número 1).

TRANSPORTACION Y ALMACENAMIENTO

Mantenga la Lijadora para Paredes en Seco seca durante la trasportación y el almacenamiento. No deje que nada apriete el cojín abrasivo (puede deformarlo y causar una lija (lijada) irregular. Si es imposible proteger el cojín durante la transportación o el almacenamiento, quite el cojín y guárdelo aparte.

MANTENIMIENTO

⚠ ADVERTENCIA: Para reducir el riesgo de lesiones, apague la unidad y desconéctela de la fuente de alimentación antes de instalar o retirar accesorios, ajustar o cambiar configuraciones o realizar reparaciones. Un arranque accidental podría causar lesiones.

REPARACIONES

Para obtener ayuda con su herramienta, visite nuestro sitio Web www.portercable.com y obtenga una lista de los centros de mantenimiento, o llame al Centro de atención al cliente de PORTER-CABLE al (888) 848-5175.

INSPECCIÓN DE LOS CEPILLOS

Para mantener la seguridad y la protección eléctrica, la inspección de los cepillos y su reemplazo deben ser realizados ÚNICAMENTE en una ESTACIÓN DE MANTENIMIENTO AUTORIZADA DE PORTER-CABLE o en un CENTRO DE MANTENIMIENTO DE FÁBRICA DE PORTER-CABLE.

A las 100 horas de uso aproximadamente, lleve o envíe la herramienta a la Estación de mantenimiento autorizada de PORTER-CABLE más cercana para una limpieza e inspección exhaustiva. Haga reemplazar las piezas desgastadas y lubrique con lubricante nuevo. Instale nuevos cepillos y pruebe el funcionamiento de la herramienta. Cualquier pérdida de potencia antes de la comprobación del mantenimiento mencionado puede indicar la necesidad del mantenimiento inmediato de su herramienta. **NO CONTINÚE UTILIZANDO LA HERRAMIENTA EN ESTAS CONDICIONES.** Si su herramienta presenta un voltaje de funcionamiento adecuado, devuélvala al centro de mantenimiento para un mantenimiento inmediato.

LIMPIEZA

⚠ ADVERTENCIA: Se sugiere, como procedimiento de mantenimiento, soplar aire comprimido seco y limpio, periódicamente, para sacar el polvo y fragmentos de la caja del motor. Para reducir el riesgo de lesión personal grave, **SIEMPRE** use lentes de seguridad que cumplan con el ANSI Z87.1 al hacer uso del aire comprimido.

⚠ ADVERTENCIA: Al realizar la limpieza, use únicamente jabón suave y un paño húmedo en las partes plásticas. Muchos limpiadores para uso doméstico pueden contener sustancias químicas que podrían dañar el plástico considerablemente. Tampoco utilice gasolina, aguarrás, barniz o solvente, líquidos para limpieza en seco o productos similares, que podrían dañar seriamente las piezas de plástico. **NUNCA** permita que penetre líquido dentro de la herramienta y **NUNCA** sumerja las piezas de la herramienta en un líquido.

LUBRICACIÓN

Esta herramienta ha sido aceiteada con una cantidad suficiente de lubricante de alto grado para extender la vida de la unidad en condiciones normales de funcionamiento. No se requiere lubricación adicional. No obstante, se recomienda que, una vez al año, lleve o envíe la herramienta a un centro de mantenimiento PORTER-CABLE para que le realicen una limpieza e inspección completas.

FALLA EN EL ENCENDIDO

Si la herramienta no enciende, verifique que las patas del enchufe del cable hagan buen contacto en el tomacorriente. Además, revise que no haya fusibles quemados o interruptores automáticos de circuito abierto en la línea.

SERVICIO

PIEZAS DE REPUESTO

Utilice sólo piezas de repuesto idénticas. Para obtener una lista de piezas o para solicitar piezas, visite nuestro sitio Web en servicenet.portercable.com. También puede solicitar piezas en nuestro centro más cercano, o llamando a nuestro Centro de atención al cliente al (888) 848-5175.

MANTENIMIENTO Y REPARACIONES

Con el paso del tiempo, todas las herramientas de calidad requieren mantenimiento o reemplazo de las piezas. Para obtener información acerca de PORTER-CABLE, sus sucursales o un Centro de mantenimiento con garantía autorizado, visite nuestro sitio Web www.portercable.com o llame a nuestro Centro de atención al cliente al (888) 848-5175. Todas las reparaciones realizadas en nuestros centros de mantenimiento están completamente garantizadas en relación con los materiales defectuosos y la mano de obra. No podemos otorgar garantías en relación con las reparaciones ni los intentos de reparación de otras personas.

También puede escribirnos solicitando información a PORTER-CABLE, 4825 Highway 45 North, Jackson, Tennessee 38305; referencia: Mantenimiento de productos. Asegúrese de incluir toda la información mencionada en la placa de la herramienta (número de modelo, tipo, número de serie, etc.)

REPARACIONES

Para asegurar la SEGURIDAD y la CONFIABILIDAD del producto, las reparaciones, el mantenimiento y los ajustes deben (inclusive inspección y cambio de carbones) ser realizados en un centro de mantenimiento en la fábrica PORTER-CABLE, en un centro de mantenimiento autorizado PORTER-CABLE u por otro personal de mantenimiento calificado. Utilice siempre piezas de repuesto idénticas.

PARA REPARACIÓN Y SERVICIO DE SUS HERRAMIENTAS ELÉCTRICAS, FAVOR DE DIRIGIRSE AL CENTRO DE SERVICIO MÁS CERCANO

CULIACAN, SIN

Blvd.Emiliano Zapata 5400-1 Poniente
Col. San Rafael

(667) 717 89 99

GUADALAJARA, JAL

Av. La Paz #1779 - Col. Americana Sector Juárez

(33) 3825 6978

MEXICO, D.F.

Eje Central Lázaro Cárdenas No. 18
Local D, Col. Obrera

(55) 5588 9377

MERIDA, YUC

Calle 63 #459-A - Col. Centro

(999) 928 5038

MONTERREY, N.L.

Av. Francisco I. Madero 831 Poniente - Col. Centro

(818) 375 23 13

PUEBLA, PUE

17 Norte #205 - Col. Centro

(222) 246 3714

QUERETARO, QRO

Av. San Roque 274 - Col. San Gregorio

(442) 2 17 63 14

SAN LUIS POTOSI, SLP

Av. Universidad 1525 - Col. San Luis

(444) 814 2383

TORREON, COAH

Blvd. Independencia, 96 Pte. - Col. Centro

(871) 716 5265

VERACRUZ, VER

Prolongación Díaz Mirón #4280 - Col. Remes

(229) 921 7016

VILLAHERMOSA, TAB

Constitución 516-A - Col. Centro

(993) 312 5111

PARA OTRAS LOCALIDADES:**Si se encuentra en México, por favor llame al (55) 5326 7100****Si se encuentra en U.S., por favor llame al
(888) 848-5175****PÓLIZA DE GARANTÍA**

IDENTIFICACIÓN DEL PRODUCTO:

Sello o firma del Distribuidor.

Nombre del producto: _____

Mod./Cat.: _____ Marca: _____

Núm. de serie: _____

(Datos para ser llenados por el distribuidor)

Fecha de compra y/o entrega del producto: _____

Nombre y domicilio del distribuidor donde se adquirió el producto:

Este producto está garantizado por un año a partir de la fecha de entrega, contra cualquier defecto en su funcionamiento, así como en materiales y mano de obra empleados para su fabricación. Nuestra garantía incluye la reparación o reposición del producto y/o componentes sin cargo alguno para el cliente, incluyendo mano de obra, así como los gastos de transportación razonablemente erogados derivados del cumplimiento de este certificado.

Para hacer efectiva esta garantía deberá presentar su herramienta y esta póliza sellada por el establecimiento comercial donde se adquirió el producto, de no contar con ésta, bastará la factura de compra.

EXCEPCIONES

Esta garantía no será válida en los siguientes casos:

- Cuando el producto se hubiese utilizado en condiciones distintas a las normales;
- Cuando el producto no hubiese sido operado de acuerdo con el instructivo de uso que se acompaña;
- Cuando el producto hubiese sido alterado o reparado por personas distintas a las enlistadas al final de este certificado.

Anexo encontrará una relación de sucursales de servicio de fábrica, centros de servicio autorizados y franquiciados en la República Mexicana, donde podrá hacer efectiva su garantía y adquirir partes, refacciones y accesorios originales.

ACCESORIOS

Su proveedor de productos PORTER-CABLE, los Centros de mantenimiento de fábrica de PORTER-CABLE y los Centros de mantenimiento autorizados de PORTER-CABLE pueden suministrarle una línea completa de accesorios. Para obtener un catálogo o para conocer el nombre de su proveedor más cercano, visite nuestro sitio Web www.portercable.com.

▲ ADVERTENCIA: Debido a que no se han probado con este producto otros accesorios que no sean los que ofrece PORTER-CABLE, el uso de tales accesorios puede ser peligroso. Para un funcionamiento seguro, con este producto sólo deben utilizarse los accesorios recomendados por PORTER-CABLE.

GARANTÍA LIMITADA POR TRES AÑOS

PORTER-CABLE reparará, sin cargo, cualquier falla que surja de defectos en el material o la fabricación del producto, por hasta tres años a contar de la fecha de compra. Esta garantía no cubre fallas de las piezas causadas por su desgaste normal o abuso a la herramienta. Para mayores detalles sobre la cobertura de la garantía e información acerca de reparaciones realizadas bajo garantía, visítenos en www.portercable.com o diríjase al centro de servicio más cercano. Esta garantía no aplica a accesorios o a daños causados por reparaciones realizadas o intentadas por terceros. Esta garantía le otorga derechos legales específicos, además de los cuales puede tener otros dependiendo del estado o provincia en que se encuentre.

Además de la garantía, las herramientas PORTER-CABLE están cubiertas por:

1 AÑO DE SERVICIO GRATUITO: PORTER-CABLE mantendrá la herramienta y reemplazará las piezas gastadas por su uso normal, sin cobro, en cualquier momento durante un año a contar de la fecha de compra.

GARANTÍA DE REEMBOLSO DE SU DINERO POR 90 DÍAS: Si no está completamente satisfecho con el desempeño de su máquina herramienta o clavadora PORTER-CABLE, cualquiera sea el motivo, podrá devolverlo hasta 90 días de la fecha de compra con su recibo y obtener el reembolso completo de su dinero – sin necesidad de responder a ninguna pregunta.

AMÉRICA LATINA: Esta garantía no se aplica a los productos que se venden en América Latina. Para los productos que se venden en América Latina, debe consultar la información de la garantía específica del país que viene en el empaque, llamar a la compañía local o visitar el sitio Web a fin de obtener esa información.

Para registrar la herramienta para obtener el mantenimiento cubierto por la garantía, visite nuestro sitio web en www.portercable.com.

REEMPLAZO DE LAS ETIQUETAS DE ADVERTENCIA

Si sus etiquetas de advertencia se vuelven ilegibles o faltan, llame al (888) 848-5175 para que se las reemplacen gratuitamente.

**Model 7800 9" (230mm) Dry Wall Sander
Variable Speed**

⚠ WARNING To reduce the risk of injury, user must read and understand instruction manual. Always use proper eye and respiratory protection.

⚠ ADVERTENCIA Para disminuir el riesgo de lesiones, el usuario deberá leer y comprender el manual de instrucciones. Siempre se deberá llevar la protección apropiada para la vista y para las vías respiratorias.

⚠ AVERTISSEMENT Afin de minimiser les risques de blessures, l'utilisateur doit toujours lire et comprendre le guide d'utilisation. Il faut toujours porter de l'équipement de protection oculaire et respiratoire approprié.

⚠ WARNING DO NOT REMOVE GROUND PIN FROM PLUG	⚠ WARNING DO NOT REMOVE GROUND PIN FROM PLUG
⚠ ADVERTENCIA NO quite el terminal de conexión a tierra del enchufe	⚠ AVERTISSEMENT NE retirez pas la broche de mise à la terre de la fiche

ESPECIFICACIONES

MODEL 7800 / 7801

Tensión de alimentación: 120 V AC~
Consumo de corriente: 4,7 A
Frecuencia de operación: 60 Hz
Rotación sin carga: 1 400 - 2 000 rpm

SOLAMENTE PARA PROPÓSITO DE MÉXICO:
IMPORTADO POR: PORTER-CABLE S.A. DE C.V.
AVENIDA ANTONIO DOVALI JAIME, # 70 TORRE B PISO 9
COLONIA LA FE, SANTA FÉ
CÓDIGO POSTAL : 01210
DELEGACIÓN ALVARO OBREGÓN
MÉXICO D.F.
TEL. (52) 555-326-7100
R.F.C.: BDE810626-1W7

Para servicio y ventas consulte
"HERRAMIENTAS ELECTRICAS"
en la sección amarilla.





The following are PORTER-CABLE trademarks for one or more power tools and accessories: a gray and black color scheme; a ✦ “four point star” design; and three contrasting/outlined longitudinal stripes.

PORTER ✦ CABLE