

**New and Improved
2 speed option**



Versa-Kool® Mobile Drum Fans

Schaefer's Versa-Kool Mobile Drum Fans are the portable solution for moving large amounts of air at higher velocities. Designed with an extremely durable polyethylene housing and rugged galvanized steel base for impact resistance and to withstand the elements, these fans are ideal for portable personal comfort and livestock or equipment cooling needs in any industrial, commercial or agricultural facility.

VKM42-2-O



VKM36-2-B-O

Your Ideal Solution For:

- ✓ Portable Cooling
- ✓ Employee Comfort
- ✓ Construction Drying
- ✓ Portable Ventilation
- ✓ Athlete Cooling
- ✓ Equipment Cooling

Features:

- Available in either 36" or 42" sizes, black or white, and single or two speeds
- High density polyethylene housing for superior impact, abrasion and temperature cracking resistance
- Galvanized steel base for complete corrosion resistance inside and out
- Narrow fan profile and ergonomic pull and base handles for easy portability
- Large rubber wheels designed inside the fan profile for convenience and safety
- Stacking tabs for storage and transportation savings included on OSHA models
- Three wing galvanized blade with low solidity ratio for maximum performance and efficiency
- Choice of OSHA compliant or wide spaced guards for safety without sacrificing air movement
- Totally enclosed, thermally protected motor for long maintenance-free life
- 12 foot cord providing extended reach and cord wrap for easy cord management
- Made in USA with dependable, long lasting components



Stacking
Tabs

Simply the Best!



1.800.779.3267
www.schaeferfan.com

36" and 42" Versa-Kool® Mobile Drum Fan

Technical Specifications

Model Number	VKM36-0 / VKM36-B-0	VKM36-2-0 / VKM36-2-B-0	VKM42-2-0 / VKM42-2-B-0
Drive	Direct	Direct	Belt
Speeds	Single	Two	Two
Guard Spacing	1/2 in. (1.27 cm)	1/2 in. (1.27 cm)	1/2 in. (1.27 cm)
Cord Length	12 ft (3.7 m)	12 ft (3.7 m)	12 ft (3.7 m)
Switch	On/Off (on cord)	Off/Low/High (on housing)	Off/Low/High (on housing)
Weight	90 lb (41 kg)	86 lb (39 kg)	130 lb (59 kg)
Horsepower	1/2 hp (0.375 kw)	1/2 hp (0.375 kw)	1 hp (0.75 kW)
Voltage	115/230 V	115 V	115 V
Current	7.0/3.5 A	5.2 A	12.3 A
Frequency	60 Hz	60 Hz	60 Hz
Rotational Speed (high/low)	825 rpm	1075/850 rpm	1725/1140 rpm
Airflow* (high/low)	11,000 cfm	11,000/7700 cfm	16,600/10,900 cfm
Efficiency* (high/low)	25.1 cfm/W	22.7/23.5 cfm/W	14.7/25.6 cfm/W
Sound @ 10 ft (dBA)	75	80/71	72

*Performance data calculated using ANSI/AMCA Standard 230-99 at 60 Hz.



All Models

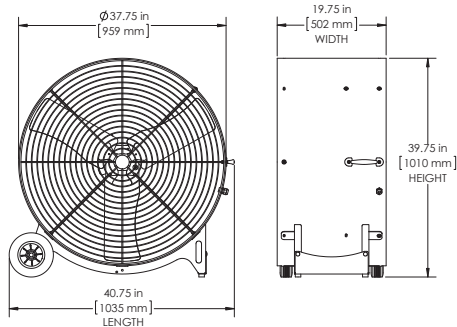
- Available with 1" UL 507 compliant guard spacing for even greater airflow
- Motors are UL and CUL recognized and CSA certified
- Misting kits available for additional cooling
- Independently tested at Bess Lab

Why Choose Schaefer?

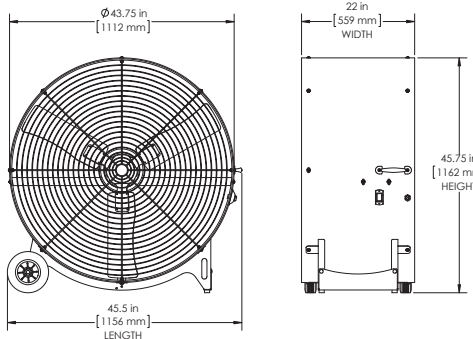
- ✓ 60+ years of fan industry experience
- ✓ Made in the USA
- ✓ Best in class product performance
- ✓ Industry leading warranty
- ✓ Reliable on-time delivery
- ✓ Schaefer products and service are **"Simply the Best!"**



36" Model Dimensions



42" Model Dimensions



Distributed by

