



## Operator's and Safety Manual

for GeoRipper®T/A trenching attachment  
for select Makita®, Husqvarna® and Stihl® cutoff saws



**M500, M700**  
**H500, H700**  
**S500, S700**

### **WARNING!**

Read and understand this Manual. Always follow safety precautions in the Operator's and Safety Manual. Improper use can cause serious injury! Preserve this Manual carefully!

## Thank you for purchasing a MiniTrencher™ product!

Congratulations on choosing a MiniTrencher GeoRipper®T/A trenching attachment! We are confident that you will be satisfied with this modern piece of equipment. Like full-engine GeoRipper minitrenchers, the GeoRipper®T/A trenching attachment is a specially designed assembly for your Makita®, Husqvarna® or Stihl® cutoff saw.

Other advantages of the GeoRipper®T/A trenching attachment:

- Sturdy construction and high reliability.
- Lightweight design for easy, handheld use.
- Durable digging chains that will cut through any soil – including gravel.
- Chipping teeth that will cut through tree roots up to 80mm (3") diameter.

We want you to be satisfied with your MiniTrencher product.

In order to guarantee the optimal function and performance of your GeoRipper®T/A trenching attachment and to ensure your personal safety we would request you to perform the following.

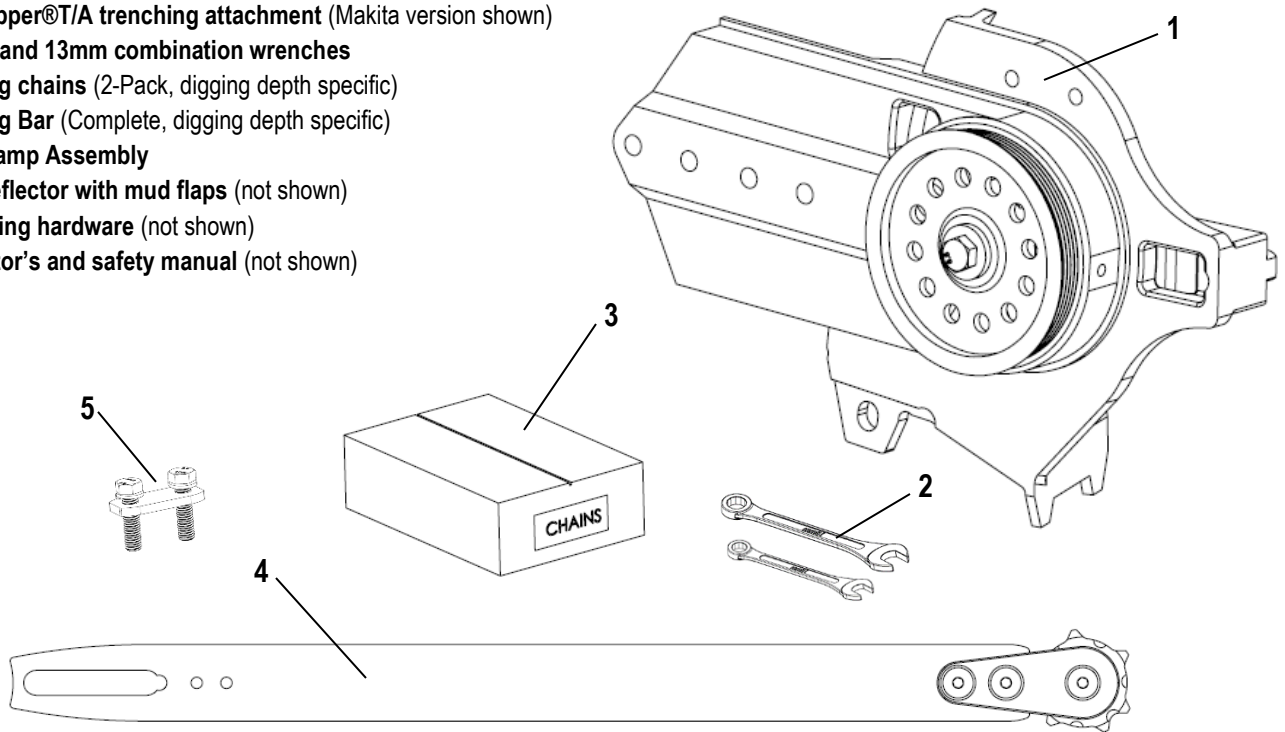
**Read this Operator's and Safety Manual carefully before putting the GeoRipper trenching attachment in operation for the first time, and strictly observe the safety regulations! Failure to observe these precautions can lead to severe injury or death!**



Table of Contents	Page
<b>Packing</b> .....	2
<b>Delivery inventory</b> .....	3
<b>Symbols</b> .....	3
<b>SAFETY PRECAUTIONS</b>	
Intended use .....	4
General precautions .....	4
Protective equipment .....	4-5
Putting into operation .....	5-6
Kickback .....	6
Working behavior / Method of working .....	6
Always observe the following when digging in soil ....	7
Transport and storage .....	7
Maintenance .....	8
First aid .....	8
Disposal and environmental protection .....	8
<b>Technical data</b> .....	9
<b>MAINTENANCE</b>	
Instructions for periodic maintenance .....	10
<b>SPECIAL ACCESSORIES</b>	
EZ Kart .....	10
Wide & Specialty Digging Chains .....	10
<b>Service, spare parts and guarantee</b> .....	11
<b>Troubleshooting</b> .....	12
<b>Extract from spare parts list</b> .....	13
<b>CE Certificate</b> .....	14

## Delivery inventory

1. GeoRipper®T/A trenching attachment (Makita version shown)
2. 18mm and 13mm combination wrenches
3. Digging chains (2-Pack, digging depth specific)
4. Digging Bar (Complete, digging depth specific)
5. Bar Clamp Assembly
6. Dirt Deflector with mud flaps (not shown)
7. Attaching hardware (not shown)
8. Operator's and safety manual (not shown)



## Symbols

You will notice the following symbols on the GeoRipper® trenching and in the operator's safety manual:

	<b>Read operator's and safety manual and follow the warning- and safety precautions!</b>		<b>Hand entanglement possible, causing severe, permanent injury.</b>
	<b>Particular care and caution!</b>		<b>Stop engine!</b>
	<b>Forbidden!</b>		<b>Sharp edges can cause severe, permanent injury.</b>
	<b>Eye and hearing protection required!</b>		<b>Do not touch hot surfaces!</b>
	<b>Hazardous dust and/or gas emission!</b>		

## SAFETY PRECAUTIONS

### Intended use

#### GeoRipper®T/A trenching attachment

Use the GeoRipper®T/A trenching attachment on the appropriate Makita®, Husqvarna® or Stihl® cutoff saw. Use the GeoRipper trenching attachment outdoors only, for digging and trenching through suitable materials.

#### Improper Use:

Never use the GeoRipper®T/A trenching attachment for cutting through solid rock or concrete. Never use the trenching attachment for trimming roots larger than 80mm (3") diameter or tree branches of any size.

#### Unauthorized users:

Persons unfamiliar with the operator's manual, children, young people, and persons under the influence of alcohol, drugs or medications must not use the GeoRipper®T/A trenching attachment.

#### General precautions

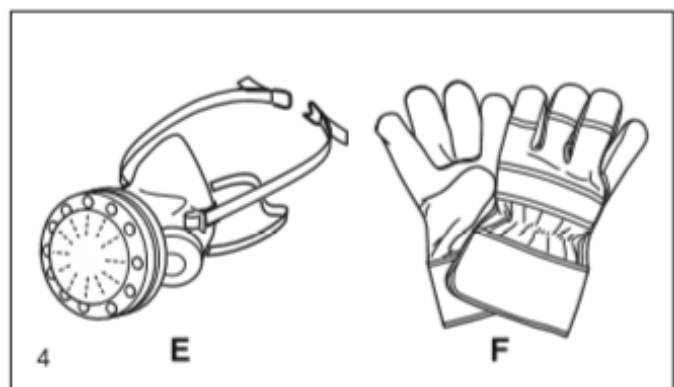
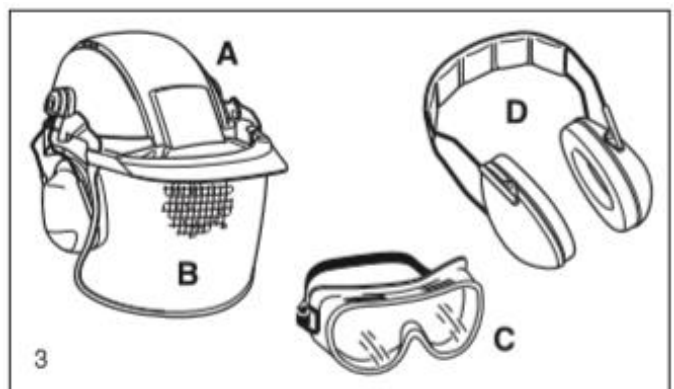
- **The operator MUST read this operator's manual to ensure safe operation (even if you already have experience in using trenching machines.)** It is important to be familiar with the operation of this particular trencher. Users insufficiently informed will endanger themselves as well as others due to improper handling.
- Let only persons who have experience in using handheld trenchers work with this unit. When letting another person use the GeoRipper®T/A trenching attachment, this operator's manual must be provided along with it.
- First-time operators should ask a specialist to instruct them in working with handheld trenchers.
- Children and persons under 18 years of age must not be allowed to use this handheld trencher. Persons over the age of 16 years may, however, use the trencher for the purpose of being trained as long as they are under the supervision of a qualified trainer.
- Working with the trencher requires high concentration.
- Operate the trencher only if you are in good physical condition. If you are tired, your attention will be reduced. Be especially careful at the end of a working day. Perform all work calmly and carefully. The user has to accept liability for others.
- Never work while under the influence of alcohol, drugs, medication or other substances which may impair vision, dexterity or judgement.
- A fire extinguisher must be available in the immediate vicinity when working in easily inflammable vegetation or when it has not rained for a long time (danger of fire).
- If weather is hot, please follow all company and local regulations to stay hydrated and cool.

#### Protective equipment

- **In order to avoid head, eye, hand or foot injuries as well as to protect your hearing the following protective equipment must be used during the operation of the GeoRipper trenching attachment:**

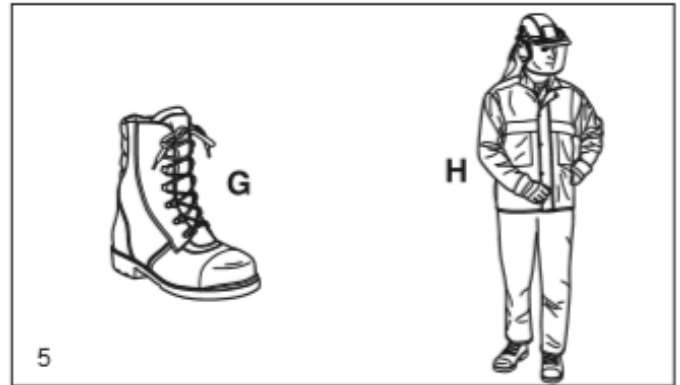
**When using personal protective equipment, ensure compliance with ANSI Z87.1!**

- The kind of clothing should be appropriate, i.e. it should be tight-fitting but not be a hindrance. Clothing in which material can accumulate (trousers with cuffs, loose-fitting shoes) must not be worn.



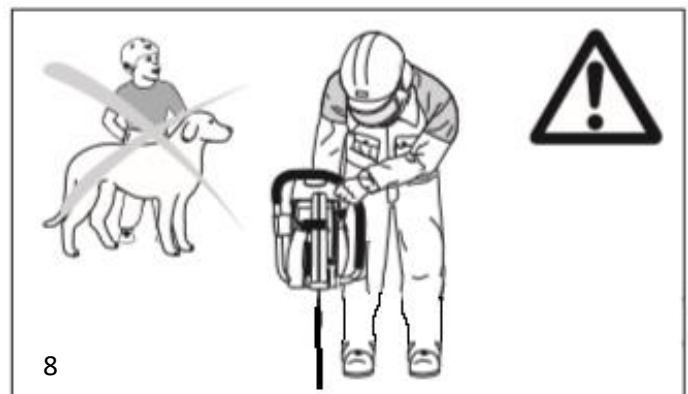
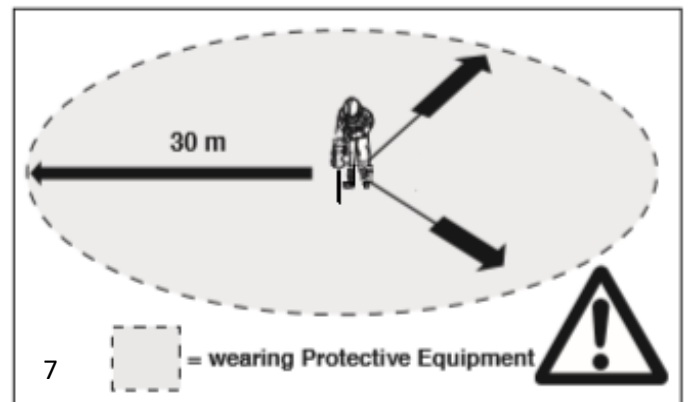
### Protective equipment (cont.)

- Do not wear any jewelry or clothing that can get caught or distract from operation of the handheld trencher.
- It is necessary to wear a protective helmet whenever working with the GeoRipper®T/A trenching attachment. The **protective helmet** (A) is to be checked in regular intervals for damage and is to be replaced after 5 years at the latest. Use only approved protective helmets.
- The helmet **visor** (B) protects the face from dust and spoils from digging. In order to prevent injuries to eyes and face, always wear **protective goggles** (C) or visor when using the handheld trencher.
- To prevent hearing damage, always wear suitable personal **hearing protection**. (ear muffs (D), ear plugs, etc.).
- When dry-trenching dust-producing material such as fine sand and certain clay soils, always wear approved **respiratory protection** (E).
- **Work gloves** (F) of tough leather are part of the required work kit of the handheld trencher and must always be worn when working with the GeoRipper®T/A trenching attachment.
- Always wear **safety shoes or boots** (G) with steel toes, non-skid soles, and leg protectors when working with the handheld trencher. Safety shoes equipped with a protective layer provide protection against cuts and ensure a secure footing.
- Always wear a **work suit** (H) of tough material with sufficient flame-retardant qualities whenever working with the GeoRipper®T/A trenching attachment.



### Putting into operation

- **Do not work on your own. There must be someone around in case of an emergency (within shouting distance).**
- Observe all anti-noise regulations when working in residential areas.
- **Never use the handheld trencher near inflammable materials or explosive gases (6)! The GeoRipper®T/A trenching attachment can create sparks leading to fire or explosion!**
- Avoid inhaling or coming into skin contact with fuel. Immediately wash the contacted area or seek medical attention if ingested or inhaled. **Injury risk!**
- Make sure that all persons within 30 meters (100 feet), such as other workers, are wearing protective gear (see "Protective equipment") (7). Children and other unauthorized persons must remain more than 30 meters away from the working area. Keep an eye out for animals as well (8).
- GeoRipper®T/A minitrencher shall not be used in low visibility or when the operator cannot visually inspect the trenching area.
- Avoid pinching fingers between belt and pulley when installing v-belt.
- **Before starting work the handheld trencher must be checked for perfect function and operating safety according to the prescriptions.** In particular, make sure that the digging chain, teeth, bar and sprockets are in good condition (replace immediately if torn, damaged or bent), the digging bar and safety bar is properly mounted, the V-belt has the proper tension, the grips are clean and dry, and the Start/Stop switch functions properly on your specific engine (see manufacturer's operation and safety manual for proper function of Start/Stop switch). Visually inspect dirt deflector and mud flaps for damage and possible dirt build-up.



- Start the trencher only after complete assembly and inspection. Never use the handheld trencher when it is not completely assembled.
- Put the GeoRipper®T/A trenching attachment into operation only as described in this operator's manual. Always place your left foot in the rear handle and grasp the other handle firmly (with thumb and fingers). Other starting procedures are not allowed.
- When starting the handheld trencher it must be well supported and securely held. The digging blade must not be touching anything.
- If the digging chain is new, test it by running it at least 60 seconds at top speed. When doing this, make sure that no persons or body parts are in the extended swing range of the digging chain, in case it is defective and flies apart.
- **When working with the GeoRipper®T/A always hold it with both hands.** Take the back handle with the right hand and the tubular handle with the left hand. Hold the handles tightly with your thumbs facing your fingers.
- **CAUTION: When you release the throttle lever the digging chain will keep spinning for a short period of time.** (free-wheeling effect).

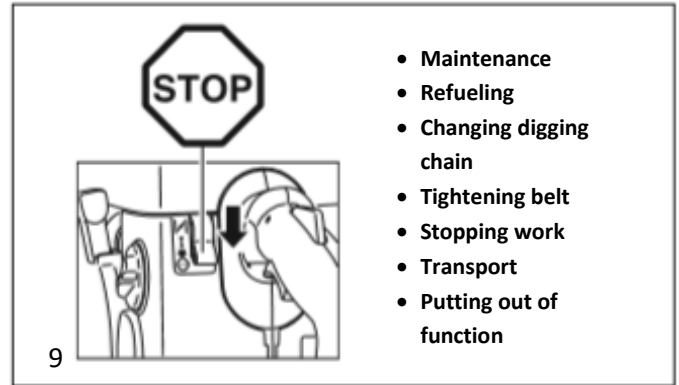
- Continuously ensure that you have a safe footing.
- Hold the GeoRipper®T/A trencher such that you will not breathe in the exhaust gas. Do not work in closed rooms or in deep holes or ditches (danger of poisoning by fumes).



- **WARNING – CARBON MONOXIDE PRODUCED DURING USE CAN KILL – DO NOT USE GEORIPPER®T/A TRENCHER INDOORS – MAKE SURE THERE IS PROPER VENTILATION WHEN USING HANDHELD TRENCHER IN TRENCHES OR OTHER CONFINED SPACES.**
- Do not touch the digging chain and sprockets while engine is on and running. **Injury hazard!**
- **Switch off handheld trencher immediately if you observe any changes in its operating behavior.**
- **Switch off handheld trencher before inspecting belt tension or tightening it, replacing digging chain, digging bar or sprockets, repositioning the trenching attachment, or eliminating rock or dirt jams (9).**
- Turn off the engine immediately and check the digging chain if you hear or feel any change in digging behavior.
- Turn off the handheld trencher when taking a break or stopping work (9). Place the unit in such a way that the digging chain cannot endanger anyone.
- Do not put the overheated trencher in dry grass or on any inflammable objects. The muffler is very hot (danger of fire).
- **IMPORTANT:** After cutting through wet soil (especially clay), let the digging chain spin above the trench at full throttle for at least 10-15 seconds to remove any remaining soil and prevent chain "kinking" and corrosion.

#### Kickback

- When working with the GeoRipper®T/A trenching attachment there is a danger of kickback.
- Kickback occurs when the top of the digging bar is used for digging.
  - This causes the digging bar and chain to be thrown up and back towards the user with great force and out of control. **Risk of**



- Maintenance
- Refueling
- Changing digging chain
- Tightening belt
- Stopping work
- Transport
- Putting out of function

#### injury!

#### To prevent kickback, observe the following:

- Never cut with the top of the digging bar in an upward or forward-pushing motion. **Be especially careful when plunging under a curb or root. Harder material can cause the chain to travel "up" the material and out of control!**

#### Working behavior / Method of working

- Check the integrity of the digging chain both before and after fitting it to the machine.
- Allow enough time before your project to call the below-grade locating service in your area to reveal any utilities that may be within the path of your trenching project. **Electric shock warning!**
- Before starting work, check the work area for any hazards (loose vegetation, electrical wires, inflammable substances). Clearly mark the work area (for example with warning signs or by cordoning off the area).
- When working with the handheld trencher hold it firmly by the front and rear handles. Never leave the trencher unattended!
- Only use the handheld trencher during good light and visibility periods. Be aware of slippery or wet areas, and of ice and snow (risk of slipping).
- Never work on unstable surfaces. Make sure that there are no obstacles in the work area, risk of stumbling. Always ensure that you have a safe footing.
- Never dig above your waist height.
- Do not lean over too far when working. When putting down and picking up the handheld trencher, do not bend over from the waist, but instead bend in the knees. Save your back!
- Guide the handheld trencher in such a way that no part of your body is within the extended swing range of the digging bar and chain.
- Use digging chain only for the materials for which they are designed. Do not attempt to cut through solid rock, concrete or tree roots more than 80mm (3") diameter.
- **Important!** Before digging, remove all loose foreign objects, such as loose rocks, gravel, vegetation, etc. from the digging area. Otherwise, such objects can be flung away by the digging chain with great speed. **Injury hazard!**
- When digging further than 5 meters (15 feet) use EZ Kart for reduced operator fatigue.
- Restrict consistent use to 30 minutes (1 Hour with EZ Kart) to avoid vibration-related vascular phenomena. **Injury hazard!**

## Always observe the following when digging in soil

- Start the GeoRipper®T/A handheld trencher with the engine base on the ground and digging bar not touching anything.
- At ½ to ¾ throttle, rotate the engine body allowing the digging bar and chain to begin digging into the ground.
- User can stand upright once trench has been initiated.
- Always keep secure footing when walking backwards while trenching with GeoRipper®T/A.
- Increase to full throttle in particularly rocky ground, when necessary.
- If soil is wet and sticky, trenches are best dug in stages. Check the discharge chute often for unwanted soil buildup.  
**WARNING: Stop and Turn off machine before putting hands near the digging sprocket (hand entanglement risk).**
- Best way to get a clean trench is to pull or move the handheld trencher back and forth while walking backwards in a “sawing” action. Do not simply press the digging chain into the soil.
- Worn digging teeth have a smaller width than new digging teeth and therefore do not dig as wide.
- After prolonged use in abrasive soils, digging chain and teeth can become hot to the touch. **DO NOT** touch hot digging chain or teeth without wearing appropriate Personal Protective Equipment such as leather gloves. **Injury risk!**

### CAUTION!

When digging near concrete slabs or curbing, be prepared for it to kick back. Make sure you can get out of the way if you have to!

Observe the accident-prevention rules and regulations of your employer and/or insurance organization.

## Transport and storage

- **Always turn off the handheld trencher when transporting it or moving it from place to place on a site.**
- **Never carry or move the unit with the engine on or the digging chain moving!**
- Carry the unit only by the tubular (middle) handle with the digging chain pointing behind you. Avoid touching the exhaust muffler (burn hazard!).
- When moving the handheld trencher over long distances, use an EZ Kart, wheelbarrow or wagon.
- When transporting the handheld trencher in a vehicle, make sure it is securely positioned in such a way that no fuel can leak out. Always remove the digging bar and chain before transporting the unit in a vehicle. Before transporting in a vehicle, allow the handheld trencher to cool off completely. Note: Mufflers with catalytic converters take longer to cool off!
- The handheld trencher should be stored safely in a dry place. It must not be left outdoors! Always remove the digging bar and chain before storage. Keep the trencher away from children.
- **Before long-term storage and before shipping the handheld trencher, follow the instructions in the chapter on “Periodic care and maintenance”. ALWAYS empty the fuel tank and run the carburetor dry.**
- When putting digging chains in storage, be careful to:
  - Clean and dry them well.

- Cover chains in a light oil or water displacement product like WD40®.
- Store Chains in a plastic, zip top bag. Remove as much air as possible from the bag.
  - **Always check new digging chains or digging chains that have been in storage to make sure that they are free of defects** and before the first dig test-run the tool at top speed for at least 60 seconds. Keep body parts and people well away out of range of the direction of the digging chain during the test.

## Maintenance

- Before performing maintenance work switch off the handheld trencher and pull out the plug cap.
- Allow the handheld trencher to cool off before doing any maintenance work (burn hazard)!
- Engines with catalytic converters take longer to cool down!
- Always check the handheld trencher before using it to make sure that it is in good working order. In particular, make sure that the trenching attachment, digging bar and chain is properly mounted. Make sure that the digging chain is undamaged and suitable for the job it will be used for.
- For engine maintenance, refer to your engine operator's and safety manual.
- Clean the handheld trencher regularly.

Observe the accident prevention instructions issued by trade associations and insurance companies. NEVER make any modifications to the GeoRipper®T/A trenching attachment or its accessories! You will only be putting your own safety at risk!

Perform only the maintenance and repair works described in the operator's manual. All other work must be carried out by GeoRipper® Service.

Use only MiniTrencher-approved cutoff saws indicated on the GeoRipper®T/A trenching attachment packaging.

The use of non-MiniTrencher approved cutoff saws increases the risk of accident. We cannot accept any responsibility for accidents or damage occurring in association with the use of engines or saws other than those approved by MiniTrencher.

Use only original MiniTrencher spare parts and accessories.

The use of non-MiniTrencher spare parts, accessories, or digging chains increases the risk of accident. We cannot accept any responsibility for accidents or damage occurring in association with the use of digging chains or accessories other than original MiniTrencher.

## First Aid

For the event of a possible accident, please make sure that a first aid kit is always immediately available close by. Immediately replace any items used from the first aid box.

**When calling for help, give the following information:**

- Place of accident
- What happened
- Number of injured people
- Kind of injuries
- Your name!

## NOTE

Individuals with poor circulation who are exposed to excessive vibration may experience injury to blood vessels or the nervous system.

Vibration may cause the following symptoms to occur in the fingers, hands or wrists: "Falling asleep" (numbness), tingling, pain, stabbing sensation, alteration of skin color or

of the skin. If any of these symptoms occur, see a physician!

## Disposal and environmental protection

Be mindful of the environment!

Dispose of worn-out or defective digging chains, bars and sprockets in accordance with your local disposal regulations. To protect unusable digging chains from misuse, destroy them before disposal.

When the handheld trencher is worn out or damaged beyond repair, have it disposed of or recycled in an environmentally sound manner. If necessary, consult your local authorities.





## Technical data

For engine technical data refer to the engine manufacturer's Owner's and safety manual.

	<b>M500</b>	<b>M700</b>
MiniTrencher-approved cutoff saw	Makita® EK7651H & EK8100	Makita® EK8100
Maximum recommended digging depth	500mm (20")	700mm (27")
Number of included digging chains	2	2
EZ Kart included?	No	Yes

	<b>H500</b>	<b>H700</b>
MiniTrencher-approved cutoff saw	Husqvarna® K770 & K970	Husqvarna® K970
Maximum recommended digging depth	500mm (20")	700mm (27")
Number of included digging chains	2	2
EZ Kart included?	No	Yes

	<b>S500</b>	<b>S700</b>
MiniTrencher-approved cutoff saw	Stihl® TS420 & TS500i	Stihl® TS500i
Maximum recommended digging depth	500mm (20")	700mm (27")
Number of included digging chains	2	2
EZ Kart included?	No	Yes

## Instructions for periodic maintenance

To ensure long life, prevent damage and ensure the full functioning of the safety features the following maintenance must be performed regularly. Guarantee claims can be recognized only if this work is performed regularly and properly. Failure to perform the prescribed maintenance work can lead to accidents!

Users of the GeoRipper®T/A trenching attachment must not perform any maintenance work not described in this operator's manual. All such work must be carried out by a MiniTrencher™ service center.

<b>General</b>	Entire trenching attachment  Digging chain Nose sprocket Drive sprocket Dirt deflector Mud flaps	Clean exterior, check for damage. In case of damage, have repaired by a qualified service center immediately Inspect regularly for damage and wear Inspect regularly for damage and wear Inspect regularly for damage and wear Clean, check for damage. In case of damage, replace. Check position
<b>Before each start</b>	Digging chain Nose sprocket Drive sprocket Digging bar V-belt Dirt deflector Mud flaps	Inspect for damage and make sure the digging chain is tensioned properly. Inspect for damage and wear Inspect for damage and wear Inspect for damage and wear Check V-belt tension Clean Check position
<b>Every day</b>	Entire trenching attachment	Clean exterior, check for damage
<b>Every week</b>	Digging bar connection Digging bar bolts	Inspect for damage Inspect for damage and wear
<b>Every 3 months</b>	Bar End Set	Inspect for damage and wear
<b>Annually</b>	Digging chain Drive shaft assembly	Inspect for damage and wear Inspect for damage and wear. In case of worn parts, have repaired or replaced by a qualified service center immediately.
<b>Storage</b>	Entire trenching attachment  Digging chain  Nose sprocket Drive sprocket	Clean exterior, check for damage. In case of damage, have repaired by a qualified service center immediately. Remove from trencher. Check for damage. Store used chains in light oil in a cool, dry location. Inspect for damage and wear Inspect for damage and wear

## Special Accessories

### EZ Kart

The MiniTrencher EZ Kart makes it much easier to dig in straight lines and with a more consistent depth control. It can be adjusted for the operator's height and used on all GeoRipper®T/A trenching attachments. The EZ Kart comes included with the 700mm (27") digging depth trenchers.

EZ Kart moves the operator further from the digging chain which increases safety for the operator.

### Wide Chain

Available in 400mm (16") and 500mm (20") digging depths. Wide digging chains allow for a wider trench for larger diameter pipe and hose. With a minimum 65mm (2-1/2") digging width, users that install electrical conduit, potable and storm water piping; and sewer drainpipe will find their trenching to happen faster with the wide chain.

### Arbor Chain

Available in 500mm (20") and 700mm (27") digging depths. Arbor chain has extra teeth to smoothly chip through the nastiest below-grade roots. Soft wood or hardwood cannot be stopped.

### Frost Chain

Available in 500mm (20") and 700mm (27") digging depths. Frost chains have more, presharpener teeth, for faster cutting through frozen ground. Perfect for plumbers and other tradespeople that still must dig in winter.

## **Service, spare parts and guarantee**

### **Maintenance and repair**

The maintenance and repair of the GeoRipper®T/A trenching attachment and its safety-related components require qualified technical training and a workshop equipped with special tools and testing services.

We therefore recommend that you consult a MiniTrencher service center for all work not described in this operator's manual.

The MiniTrencher service centers have all the necessary equipment and skilled and experienced personnel, who can work out cost-effective solutions and advise you in all matters.

Please contact your nearest service center (see online at [www.minitrencher.com](http://www.minitrencher.com)) or the general trading company or importer, who will gladly provide you with the address of your nearest MiniTrencher service center.

### **Spare parts**

Reliable long-term operation, as well as the safety of your GeoRipper®T/A, depend on the quality of the spare parts used. Use only original MiniTrencher parts.

Only original parts are from the same production line as the original unit and therefore ensure the highest possible quality of materials, dimensions, functioning and safety.

Only original spare parts and accessories guarantee the highest quality in material, dimensions and function.

Original spare parts and accessories can be obtained from your local dealer. They will also have the spare part lists to determine the required spare part numbers, and will be constantly informed about the latest improvements and spare part innovations.

Please bear in mind that if parts other than original MiniTrencher spare parts are used, this will automatically invalidate the MiniTrencher product guarantee.

We will furthermore not accept any liability damages arising from the use of Non-MiniTrencher spare parts.

### **Guarantee**

MiniTrencher guarantees the highest quality and will therefore reimburse all costs for repair by replacement of damaged parts resulting from material or production faults occurring within the guarantee period after purchase. Please note that in some countries particular guarantee conditions may exist. If you have any questions, please contact your salesman, who is responsible for the guarantee of the product.

Please note that we cannot accept any responsibility for damage caused by:

- Disregard of the operator's manual.
- Non-performance of the required maintenance and cleaning.
- Incorrect adjustments.
- Normal wear and tear.
- Obvious overloading due to permanent exceeding of the upper performance limits.
- The use of other than original MiniTrencher digging chains.
- Use of force, improper use, misuse or accidents.
- Damage from overheating due to improper cleaning.
- Work on the GeoRipper®T/A trenching attachment by unskilled persons or inappropriate repairs.
- Use of unsuitable spare parts or parts which are not original MiniTrencher parts, insofar as they have caused the damage.
- Damage related to conditions arising from lease or rent contracts.
- Damages caused by disregarding loose outer bolted connections.

Cleaning, servicing and adjustment work is not covered by the guarantee. All repairs covered by the guarantee must be performed by a MiniTrencher service center.

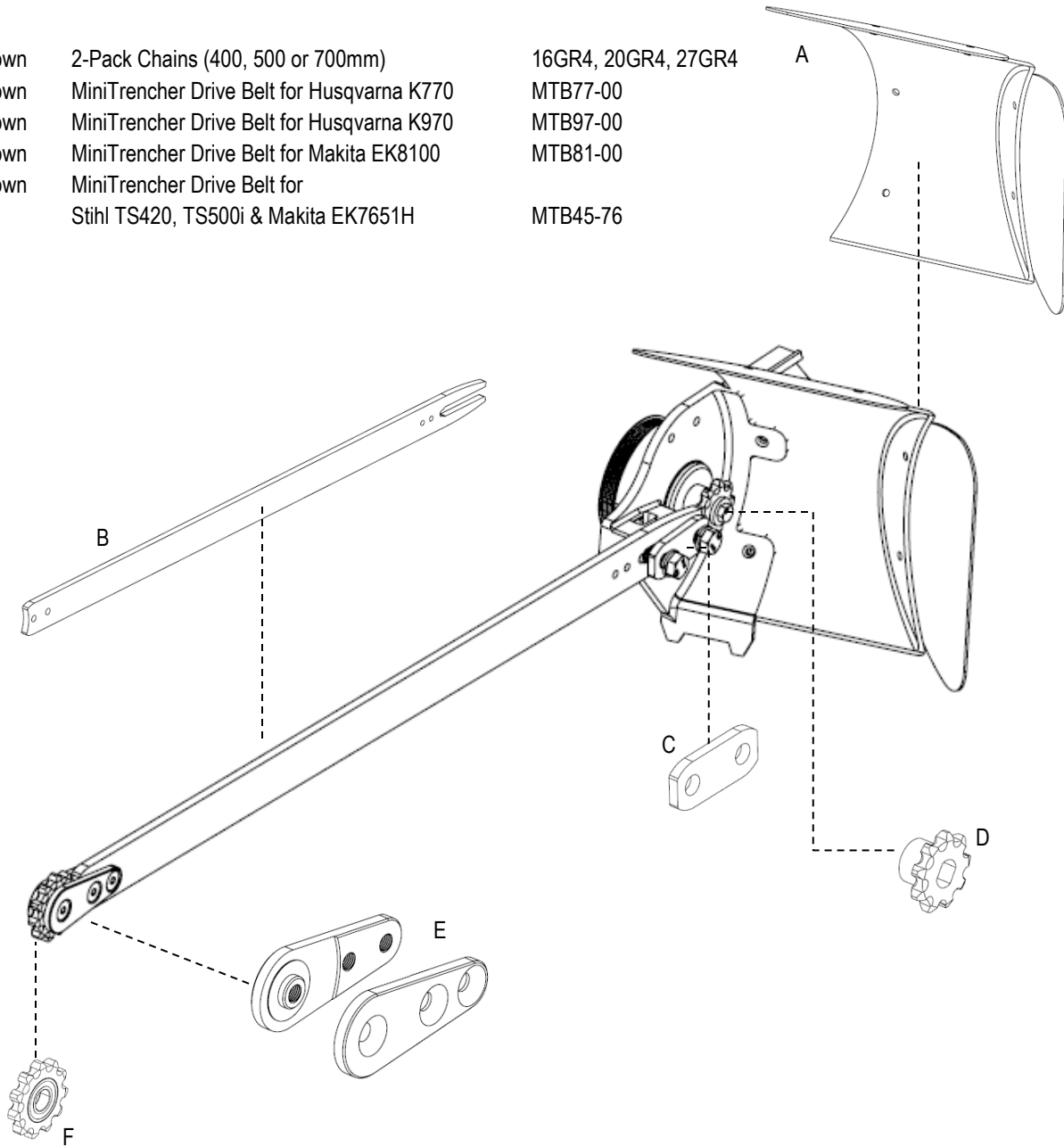
## Troubleshooting

Malfunction	System	Observation	Cause
Digging chain does not start turning	Digging chain Drive Sprocket Digging bar Belt Engine – clutch	Engine runs	Debris jamb in chain Drive sprocket is worn Digging chain is not tensioned properly (too tight) Belt is not tensioned properly (too loose) Damage to clutch – See engine manual
Digging chain runs at idle	Engine – carburetor Engine - clutch	Digging chain runs	Incorrect idle speed – See engine manual Blocked clutch – See engine manual
Digging chain falls off machine	Digging bar Nose sprocket Drive sprocket	Engine runs	Digging chain is not tensioned properly (too loose) Nose sprocket is worn Drive sprocket is worn

## Extract from spare parts list

Pos.	Description	SKU
A.	Dirt Deflector Assembly	GR12
B.	Complete Bar (400, 500 or 700mm)	16GR3, 20GR3, 27GR3
C.	Bar Clamp Assembly	GR7
D.	Drive Sprocket	MT45.789.3
E.	Bar End Set Assembly	GR0
F.	Nose Sprocket (6 Tooth & 11 Tooth)	GR1, GR2

Not Shown	2-Pack Chains (400, 500 or 700mm)	16GR4, 20GR4, 27GR4
Not Shown	MiniTrencher Drive Belt for Husqvarna K770	MTB77-00
Not Shown	MiniTrencher Drive Belt for Husqvarna K970	MTB97-00
Not Shown	MiniTrencher Drive Belt for Makita EK8100	MTB81-00
Not Shown	MiniTrencher Drive Belt for Stihl TS420, TS500i & Makita EK7651H	MTB45-76



# EU DECLARATION OF CONFORMITY

**No.:** 8152020172

**Manufacturer:**

Company name: TerraTrench USA, Inc. dba MiniTrencher  
Street: 815 NE 172nd Avenue  
City: Vancouver  
Postal Code: 98684  
State/County/Province: Clark County, Washington State  
Country: United States of America

**Person authorized to compile the Technical File:**

Company name: Alura Group BV  
Street: Kroonwiel 2  
City: Weert  
Postal Code: 6003 BT  
State/County/Province: Limburg  
Country: The Netherlands

This declaration of conformity is issued under the sole responsibility of the manufacturer.

**Object(s) of the declaration:**

*GeoRipper®T/A Trenching Attachment  
Models M500, M700, H500, H700, S500 & S700*

**The object of the declaration described above is in conformity with the relevant Community harmonization legislation:**

*Directive 2006/42/EC of the European Parliament and of the Council of 17 May 2006 on machinery, and amending Directive 95/16/EC (in short referred to as "the Machinery Directive")*

**References to the relevant harmonised standards used or references to the specifications in relation to which conformity is declared:**

*EN ISO 12100:2010*

**Additional information:**

**Signed for and on behalf of TerraTrench USA, Inc.**

*Vancouver, Clark, Washington 1st Day of May, 2021  
Peter Blundell, President*