



Click Here To View
Item at

www.GapPower.com

*Sales • Rentals
Parts & Service*



Count on it.

Parts Catalog

18in Dethatcher

Model No. 23513—Serial No. 314000001 and Up

Model No. 33513—Serial No. 314000001 and Up



Ordering Replacement Parts

To order replacement parts, please supply the part number, the quantity, and the description of each part desired.

Understanding Reference Numbers

Each identified part in an illustration has a reference number. The reference number for a part also appears in the parts list, along with other information about the part.

This catalog uses two special reference number formats, one to indicate parts in a service assembly and another to indicate the quantity of a given part in an illustration.

Service Assembly Reference Numbers

Parts in service assemblies have reference numbers in the form a:b. The a represents the reference number of the entire service assembly and the b represents a sequential number unique to each part within the service assembly.

For example, a wheel assembly might be identified by reference number 6, the tire by 6:1, the valve by 6:2, and the wheel by 6:3. When you order the assembly identified by reference number 6, you receive all parts identified by reference numbers 6:1, 6:2, and 6:3. However, you may also order any part individually. Reference numbers of this type appear in illustration and in parts lists.

Reference Numbers Indicating Quantity

In an illustration, if a reference number indicates more than one part, the reference number has the form nX y. The n represents the quantity of the part, the X is the multiplication symbol, and the y represents the reference number.

For example, in an illustration, the reference number 2X 37 means that two of the parts identified by reference number 37 are indicated.

List of Abbreviations

AR: as required

ASM: assembly

BBC: blade brake control

BHTF: button head thread forming

CARR: carriage

CCW: counter clockwise

CW: clockwise

DEG: degrees

DPA: Dual Point Adjustment

ECM: electronic control module

EXT: external

FH: flat head

GA: gauge

HD: heavy-duty

HF: hex flange

HH: hex head

HHF: hex head flange

HHFTF: hex head flange thread forming

HJ: hex jam

HLH: hex lag head

HOC: height-of-cut

HP: high pressure

HSBH: hex socket button head

HSFH: hex socket flat head

HSH: hex socket head

HWH: hex washer head

HWHTF: hex washer head thread forming

HYD: hydraulic

LH: left hand

LP: low pressure

LPG: Liquefied Petroleum Gas

NI: nylon insert

NPTF: national pipe thread fine

PFH: phillips flat head

PPH: phillips pan head

PPHTF: phillips pan head thread forming

PRH: phillips round head

PTH: phillips truss head

PTO: power-take-off

RH: right hand

ROPS: roll-over protection system

RRB: rear roller brush

SFH: slotted fillister head

SHH: slotted hex head

SHWH: slotted hex washer head

SPH: slotted pan head

SQH: square head

SRH: slotted round head

STD: standard

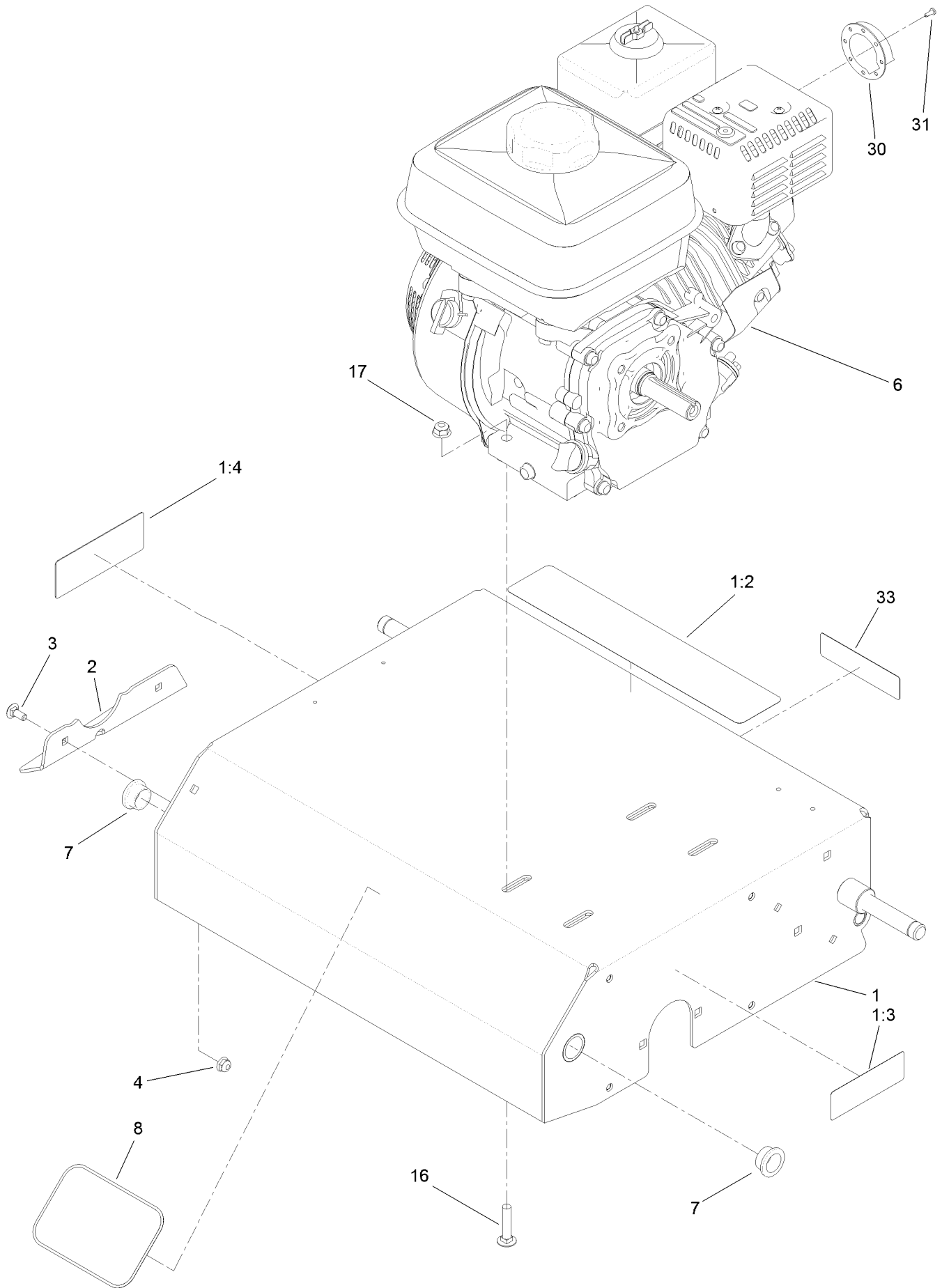
TAP: self tapping

TTH: torx truss head

Contents

- Frame and Engine Assembly 4
- Handle Assembly 6
- Bearing and Shaft Assembly 8
- Transport-Wheel Assembly..... 10
- Belt Guard Assembly 12

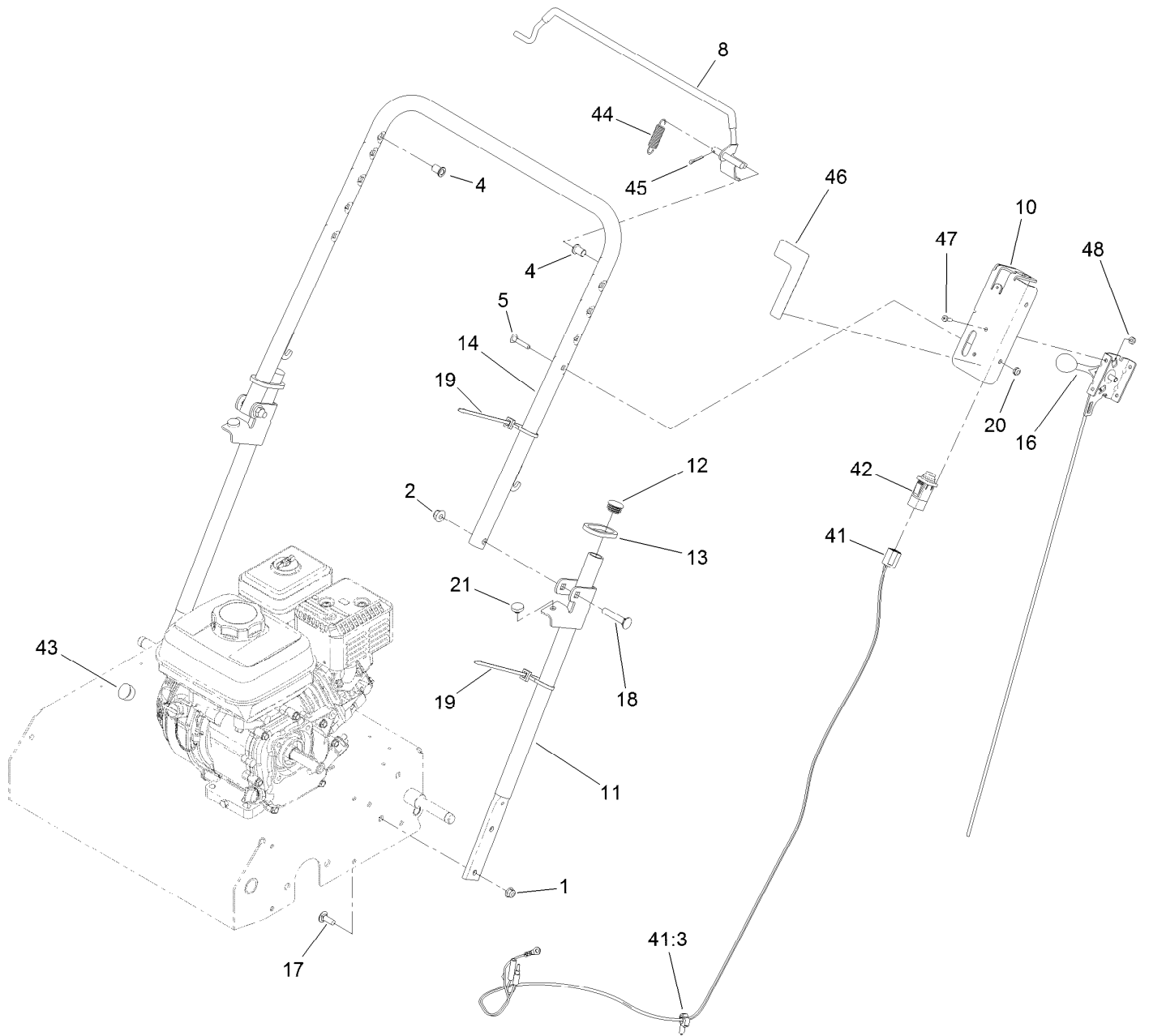
Frame and Engine Assembly



Frame and Engine Assembly (continued)

<i>Ref.</i>	<i>Part Number</i>	<i>Qty.</i>	<i>Description</i>	<i>Ref.</i>	<i>Part Number</i>	<i>Qty.</i>	<i>Description</i>
1	125-3825	1	Frame ASM	7	121-1876	2	Bushing
1:2	125-3809	1	Decal-Warning	8	67-1300	1	Decal
1:3	117-4979	1	Decal-Warning, Shields	16	3230-4	4	Screw-CARR
1:4	93-7321	1	Decal-Danger	17	104-8300	4	Nut-Flange, NI
2	121-1853-01	1	Guard-Hand	30	125-3866	1	Deflector
3	3229-11	2	Screw-CARR	31	120-1884	2	Screw-PPHTF
4	104-7201	2	Nut-HF	33	117-2718	1	Decal-Arrester, Spark
6	125-4813	1	Engine-Honda, Gx160				

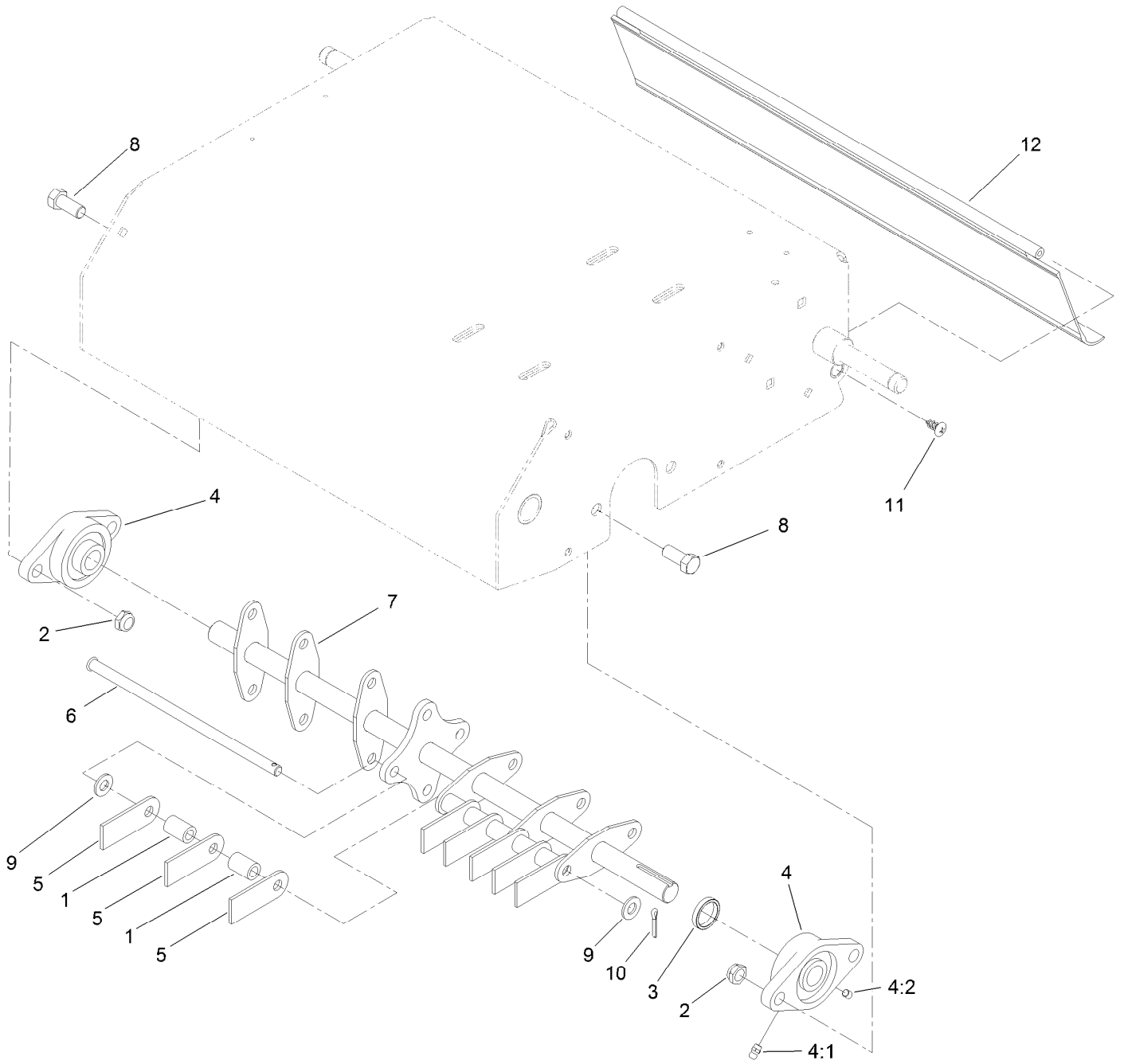
Handle Assembly



Handle Assembly (continued)

<i>Ref.</i>	<i>Part Number</i>	<i>Qty.</i>	<i>Description</i>	<i>Ref.</i>	<i>Part Number</i>	<i>Qty.</i>	<i>Description</i>
1	104-8300	4	Nut-Flange, NI	19	3290-378	2	Tie-Cable
2	104-8301	2	Nut-Flange, NI	20	3296-56	2	Nut-Lock, NI
4	109-2713	2	Bushing	21	1-513658	2	Bumper
5	109-8144	2	Bolt-Handle	41	127-4042	1	Harness-Wire
8	127-4026	1	Bail	41:3	32180-037	1	Clip-Harness
10	127-4027-03	1	Bracket-Throttle	42	100-1268	1	Switch-Plunger
11	125-3621-03	2	Handle	43	120-1887	1	Plug-Engine
12	121-4870	2	Plug	44	121-4409	1	Spring-Extension
13	121-6202	2	Ring-Handle Lock	45	3272-10	1	Pin-Cotter
14	125-3800-03	1	Handle-Upper	46	127-4061	1	Decal-Throttle
16	127-4048	1	Cable-Throttle	47	3290-500	2	Screw-PPH
17	3230-10	4	Screw-CARR	48	3296-2	2	Nut-Lock, NI
18	3231-6	2	Screw-CARR				

Bearing and Shaft Assembly



Bearing and Shaft Assembly (continued)

<i>Ref.</i>	<i>Part Number</i>	<i>Qty.</i>	<i>Description</i>	<i>Ref.</i>	<i>Part Number</i>	<i>Qty.</i>	<i>Description</i>
1	125-3870	28	Spacer	6	121-6208	4	Shaft-Satellite
2	3296-38	4	Nut-Lock, NI	7	121-6220-03	1	Shaft-Rake
3	116-5805	1	Collar	8	3212-4	4	Screw-HH
4	106-7126	2	Bearing-Flange	9	3256-24	8	Washer-Flat
4:1	302-58	1	Fitting-Straight	10	3272-10	4	Pin-Cotter
4:2	3245-35	2	Screw-Set, HSH	11	117-1092	2	Screw-PTH
5	121-1869	32	Blade-Flail	12	120-6241	1	Shield-Trailing

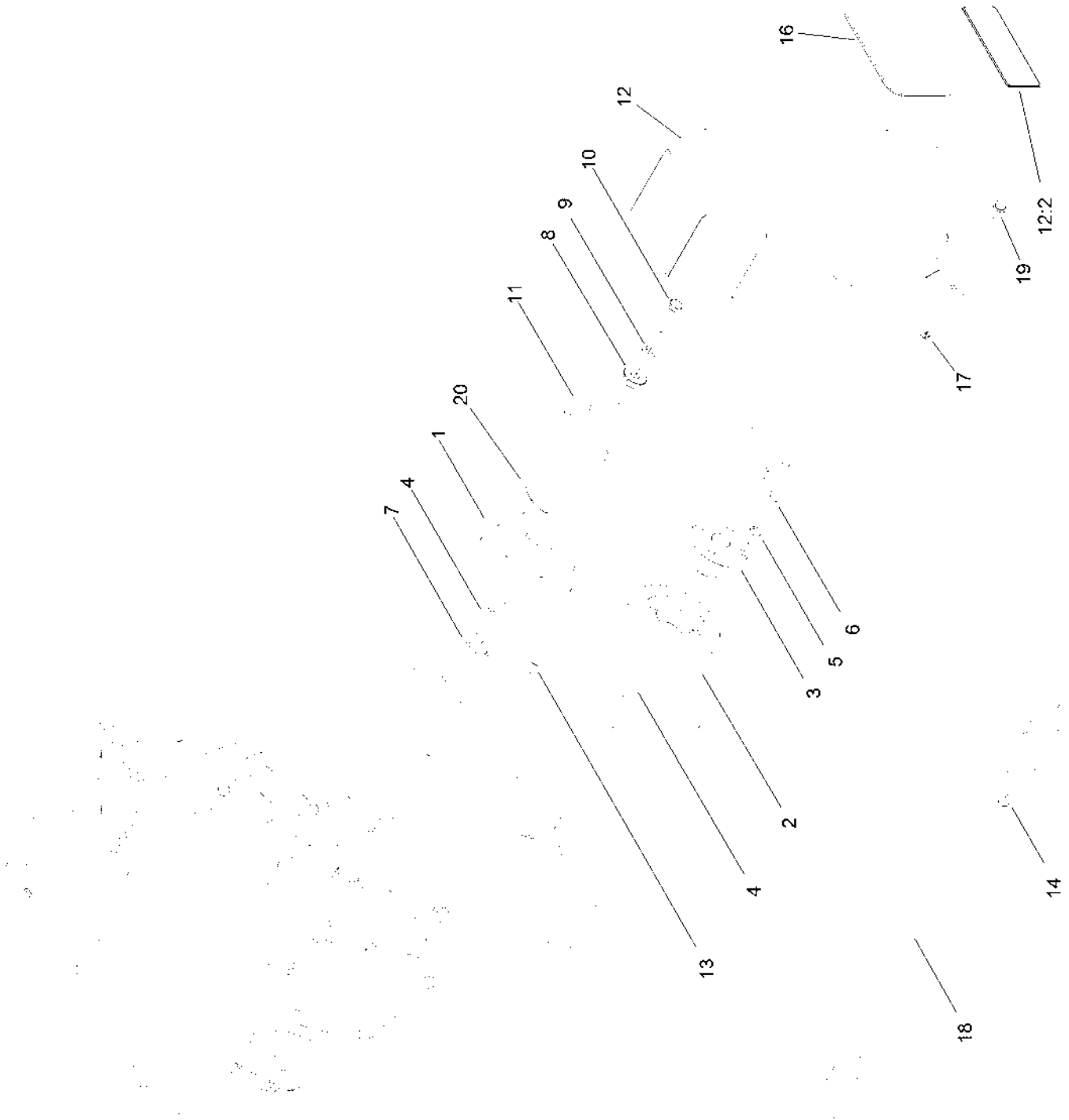
Transport-Wheel Assembly



Transport-Wheel Assembly (continued)

<i>Ref.</i>	<i>Part Number</i>	<i>Qty.</i>	<i>Description</i>	<i>Ref.</i>	<i>Part Number</i>	<i>Qty.</i>	<i>Description</i>
1	121-1854	1	Bracket	9	3229-11	2	Screw-CARR
2	98-4799	4	Spacer	10	104-7201	10	Nut-HF
3	121-1856	1	Plate	11	3229-2	4	Screw-CARR
4	125-3599-03	1	Bracket-Adjust, Height	12	104-3678	1	Pin-Hitch
5	125-3626-03	1	Bracket-Wheel, HOC	14	3256-39	2	Washer-Flat
6	125-3600-03	1	Bracket-Wheel	15	63-9710	4	Spacer-Bearing
7	121-4897	4	Wheel-Transport	16	32120-64	4	Ring-Snap, External
8	3229-1	4	Bolt-CARR				

Belt Guard Assembly



Belt Guard Assembly (continued)

<i>Ref.</i>	<i>Part Number</i>	<i>Qty.</i>	<i>Description</i>	<i>Ref.</i>	<i>Part Number</i>	<i>Qty.</i>	<i>Description</i>
1	120-1215	1	Clutch-Centrifugal	11	53-4650	1	V-Belt
2	121-2019	1	Sheave-Taper Lock	12	125-3827	1	Belt Guard ASM
3	121-2022	1	Bushing-Taper Lock	12:2	93-7321	1	Decal-Danger
4	92-2649	2	Key-Square	13	3229-11	4	Screw-CARR
5	3253-3	2	Washer-Lock	14	104-7201	4	Nut-HF
6	321-6	2	Screw-HH	16	67-1300	1	Decal
7	121-7731	1	Spacer	17	1-803037	4	Nut-Retaining
8	121-7732	1	Bushing	18	121-6235-01	1	Baffle-Deflector
9	3253-4	1	Washer-Lock	19	3234-13	4	Screw-HHF
10	3210-6	1	Screw-HH	20	125-3897	1	Decal-Warning

Notes:

Notes:



Count on it.