



[Click Here To View](#)  
[Item at](#)

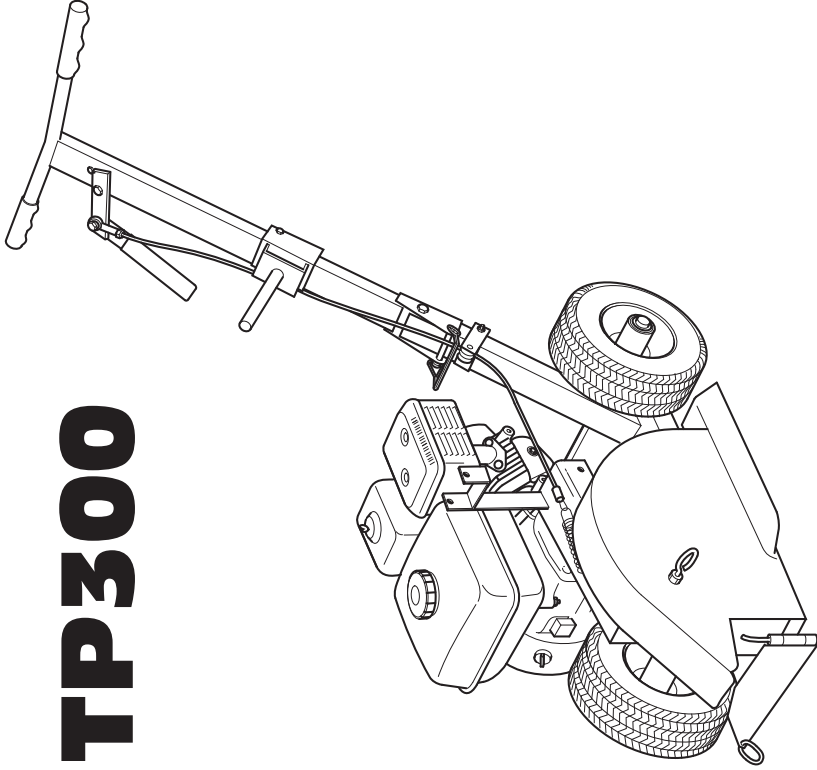
[www.GapPower.com](http://www.GapPower.com)

*Sales • Rentals  
Parts & Service*

# E-Z TRENCH<sup>®</sup>

## EZ Cable Installer

### TP300



### *Owners Manual*

**E-Z Trench Manufacturing Co., Inc.**

**2315 S. Hwy. 701 • Loris, S.C. 29569**

**(843) 756-6444**

**Fax (843) 756-6442**

**[www.eztrench.com](http://www.eztrench.com)**

### **A WORD TO E-Z TRENCH OWNERS . . .**

THIS MANUAL HAS BEEN PREPARED TO ACQUAINT YOU WITH THE ASSEMBLY, OPERATION AND MAINTENANCE OF YOUR TP300 TRENCHING MACHINE, AND TO PROVIDE SAFETY INFORMATION. WE URGE YOU TO READ IT CAREFULLY AND FOLLOW THE RECOMMENDATIONS CONTAINED TO HELP ASSURE THE MOST TROUBLE-FREE OPERATION.

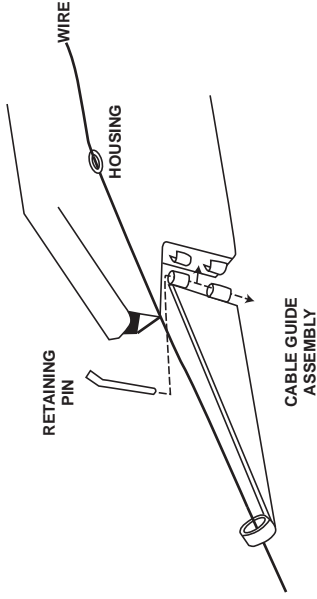
WE WOULD LIKE TO TAKE THIS OPPORTUNITY TO THANK YOU FOR CHOOSING E-Z TRENCH, AND TO ASSURE YOU OF OUR CONTINUING INTEREST IN YOUR NEEDS.

### **INDEX**

1. A WORD TO E-Z TRENCH OWNERS
2. OPERATING INSTRUCTIONS.
3. SAFETY PRECAUTIONS & TROUBLE SHOOTING
- 4.-5. PARTS DRAWING / PARTS LIST
6. MAINTENANCE SCHEDULE & BOLT SIZES
- 7.-8. WARRANTY & TERMS OF SALE

## OPERATING INSTRUCTIONS

1. FILL CRANKCASE WITH OIL. FOLLOW INSTRUCTIONS OF ENGINE MANUFACTURER.
2. LOAD CABLE/WIRE REEL ONTO HOLDING DEVICE (314).
3. PLACE THE DROP CABLE THROUGH THE CABLE GUIDE AND PULL OFF A LENGTH SUFFICIENT FOR BUILDING ENTRY. AT THE MACHINE, ANCHOR THE CABLE/WIRE.



4. START ENGINE.
5. RAISE DIGGING BLADE CLEAR OF GROUND BY PUSHING DOWN ON THE MACHINE HANDLE.
6. ENGAGE BELT DRIVE UNIT WITH HAND LEVER (EZ15) TO ROTATE DIGGING BLADE.
7. SLOWLY LOWER THE MACHINE TO GRADUALLY ENGAGE THE DIGGING BAR INTO SOIL UNTIL FRONT WHEEL IS ON THE GROUND.
8. PULL THE MACHINE SLOWLY BACKWARD TO START TRENCHING. GUIDE THE CABLE GUIDE ASSEMBLY INTO THE TRENCH SO THE WIRE IS BURIED.

**TIP:** KEEP INSIDE OF HOUSING CLEAN FOR MAXIMUM BACKFILL OPERATION

## WARNINGS! & SAFETY PRECAUTIONS

1. ALWAYS WEAR EYE PROTECTION.
2. STAY CLEAR OF DIGGING BAR.
3. KEEP HANDS AND FEET CLEAR OF PULLEYS AND BELTS WHEN ENGINE IS RUNNING.
4. LOCATE ALL UNDERGROUND POWER, TELEPHONE, GAS AND WATER LINES BEFORE TRENCHING.
5. ENGINE R.P.M SHOULD REMAIN AT 3800 R.P.M.

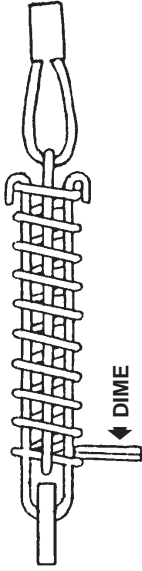
## TROUBLE SHOOTING

<b><u>PROBLEM</u></b>	<b><u>SOLUTION</u></b>
IRREGULAR OR EXCESSIVE BELT WEAR	<ol style="list-style-type: none"><li>1. ENGINE PULLEY WORN OUT.</li><li>2. BELT TENSION TOO TIGHT.</li><li>3. RATE OF DIG IS TOO FAST FOR SOIL CONDITION.</li><li>4. CHECK FOR PULLEY MISALIGNMENT.</li><li>5. USING OTHER THAN FACTORY RATED BELTS.</li></ol>
EXCESSIVE VIBRATION	<ol style="list-style-type: none"><li>1. LOOSE, BENT, OR BROKEN DIGGING BAR OR BIT.</li><li>2. LOOSE ENGINE MOUNT BOLTS.</li><li>3. ENGINE R.P.M. SHOULD BE 3800 R.P.M.</li></ol>
HOUSING CLOGGING WITH DIRT	<ol style="list-style-type: none"><li>1. HOUSING NOT BEING KEPT CLEAN.</li><li>2. SOIL IS TOO WET.</li></ol>
DAMAGED DIGGING BLADE	<ol style="list-style-type: none"><li>1. STRIKING HARD OBJECTS, SUCH AS BRICKS, LARGE ROCKS, AND STEEL OBJECTS.</li></ol>



## MAINTENANCE SCHEDULE

Perform at every indicated month or operating hour interval, whichever comes first.	Every Use	First month or 20 Hrs.	Every 3 months or 50 Hrs.	Every 6 months or 100 Hrs.
Check blade and bits	○			
Check belt tension*	○			
Check engine oil & air filter	○			
Tighten any loose bolts		○		
Change engine oil		○		○
Check air pressure of tires			○	
Clean air filter or replace				○



**\*NOTE:** PROPER BELT TENSION, 1/8", OR WHEN A DIME WILL FIT SNUGLY BETWEEN COIL SPRING.

**CAUTION: DO NOT OVER TIGHTEN BELT.**

## BOLT SIZES FOR TP300 EZ Cable Installer

PART #	QTY.	SIZE	ATTACHES PART...
516134	1	5/16 x 1 <sup>3</sup> / <sub>4</sub>	EZ315 to 313
51634	1	5/16 x 3/4	EZ320 to EZ15
383	1	3/8 x 3	313 to frame
14234	1	1/4 x 2 <sup>3</sup> / <sub>4</sub>	314 to 313
14234	1	1/4 x 2 <sup>3</sup> / <sub>4</sub>	308 to 313
516134	4	5/16 x 1 <sup>3</sup> / <sub>4</sub>	engine to frame
38134	1	3/8 x 1 <sup>3</sup> / <sub>4</sub>	319
1458	4	1/4 x 5/8	302 to frame
1458	4	1/4 x 5/8	304 to frame
51634ft	1	5/16 x 3/4 fine	304 to engine
38134	1	3/8 x 1 <sup>3</sup> / <sub>4</sub>	319 to frame
38112	1	3/8 x 1 <sup>1</sup> / <sub>2</sub>	EZ70 to 319
1438ss	2	1/4 x 3/8	set screws for 385 pulley
14516ss	2	1/4 x 5/16	set screws for 395 pulley

6.

## TERMS AND CONDITIONS OF SALE

### USE:

E-Z TRENCHER IS DESIGNED TO TRENCH IN SOIL ONLY. ANY OTHER USE IS AT THE RISK OF THE OWNER.

### PRICES:

Prices are subject to change without notice and will be invoiced at prices in effect on date of order.

### CHANGES:

E-Z TRENCH MANUFACTURING, Inc. reserves the right to discontinue items, change specification, design, or prices at any time, without notice and without incurring any obligation whatsoever.

### FREIGHT POLICY:

All orders are F.O.B., Loris, South Carolina, USA. Title to goods and risk of loss passed in Loris, South Carolina.

### DAMAGED OR LOST SHIPMENTS:

All shipments must be carefully inspected. In case of damaged or loss, accept the shipment, but have carrier note damages or loss on delivery receipt. If it is concealed damage, call carrier for inspection. Make claim for damage with carrier.

### LIMITED WARRANTY:

The E-Z Trencher is warranted against defects in workmanship or materials for a period of one year. Blades, bits, belts and bearings, which are normal wear items, are not warranted. This warranty covers replacement of parts only, no consequential damages are covered. In the event of a warranty claim contact E-Z Trench Manufacturing Company, Inc. This warranty does not include products which have been subject to improper use, or application, or misuse, neglect or accident; nor does it attend to products which have been repaired or altered by other than E-Z Trench Manufacturing Company, Inc. All warranty repairs are F.O.B., Loris, S.C., U.S.A. E-Z Trench Manufacturing Company, Inc. will not be responsible for any transportation charges.

THERE IS NO OTHER EXPRESS WARRANTY. TO THE EXTENT PERMITTED BY LAW ALL IMPLIED WARRANTIES INCLUDED THOSE OF MERCHANTABILITY AND FITNESS FOR A PARTICULAR PURPOSE ARE EXCLUDED. LIABILITY FOR CONSEQUENTIAL DAMAGES UNDER ANY AND ALL WARRANTIES ARE EXCLUDED TO THE EXTENT THAT EXCLUSION IS PERMITTED BY LAW. Some states do not allow limitation on how long an implied warranty lasts, and some

7.

## TERMS AND CONDITIONS OF SALE CONTINUED

states do not allow the exclusion or limitation or incidental or consequential damages, so the above limitation and exclusion may not apply to you. This warranty gives you specific legal rights and you may also have other rights which may vary from state to state.

E-Z Trench Manufacturing Company, Inc. does not warrant the engine but the purchaser must look to engine manufacturer for the warranty of the engine.

### **NORMAL WEAR:**

Warranty will not cover repair where normal use has exhausted the life of a part. Trenchers, like all mechanical devices, need periodic parts replacement and service to perform well. It should be remembered that the service life of any trencher is dependent on the care it receives and the conditions under which it has to operate. Trenchers operate in harsh conditions, which can cause what appears to be premature wear. Such wear, when caused by rocks or other abrasive material, is not covered by warranty.

### **E-Z TRENCH WARRANTY DOES NOT COVER ABUSE OR NEGLIGENCE:**

1. Bent or broken parts; Such damage is normally the result of abuse, such as striking a solid object with the cutting blade.
2. Broken parts, which results from excessive vibration caused by loose engine mounting, loose cutting blades, unbalanced blades, improperly attaching equipment to trencher, overspeeding or abuse in operation.
3. Misuse, neglect, improper operation, damage or abuse.
4. Alteration or removal of name plates or serial numbers.
5. Modification or change of this product outside the factory.

### **STANDARD TERMS:**

1. C.O.D./F.O.B., Loris, SC, USA
2. Cash, money order, certified check, or wire transfer with order.
3. 30 day with approved credit.

All sales are final with no right to return, price protection or implied concession. No person, including agent, representative, or employee of E-Z TRENCH MANUFACTURING, Inc. is authorized to assume for E-Z TRENCH MANUFACTURING, Inc. any obligation or liability concerning terms or conditions of sale other than that expressly stated herein.  
EFFECTIVE MARCH 1, 1985