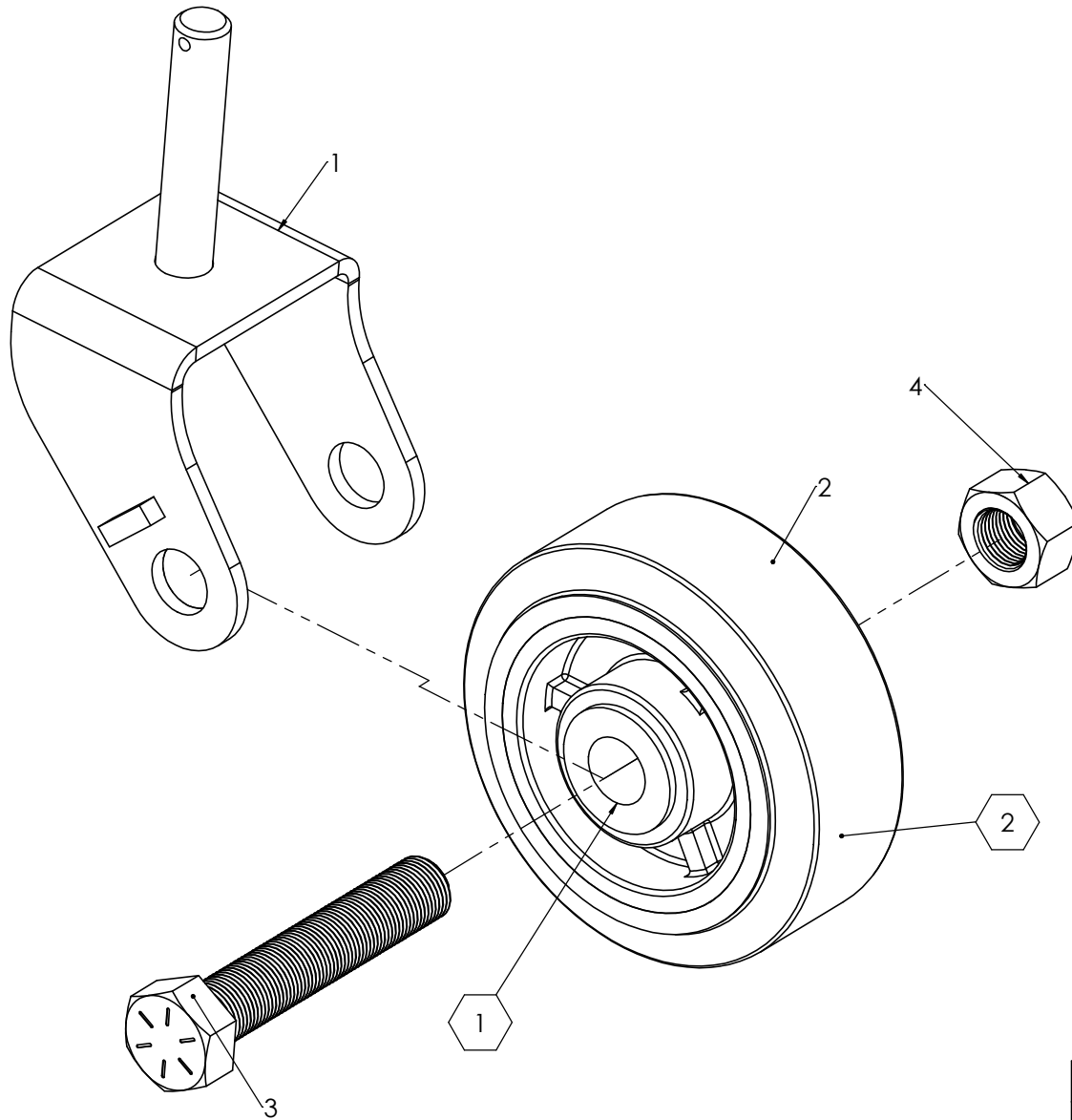




**POWER BROOM
ATTACHMENT
PARTS CATALOG
MODEL A1300B**

<u>Description</u>	<u>Page Number</u>
Table of Contents	2
CASTER WHEEL – BR-0119	3
GEARBOX A – BR-0114	4
IDLER ARM A – BR-0115	5
BRUSH A – BR-0116	6
CARRIER FRAME A – BR-0118	7
LID & LATCH A – BR-0117	8
LIFT LINKAGE – BR-0155	9
BROOM ATTACHMENT – BR-0142	10
DE-THATCHING KIT A – OPTIONAL – K1305DT	11

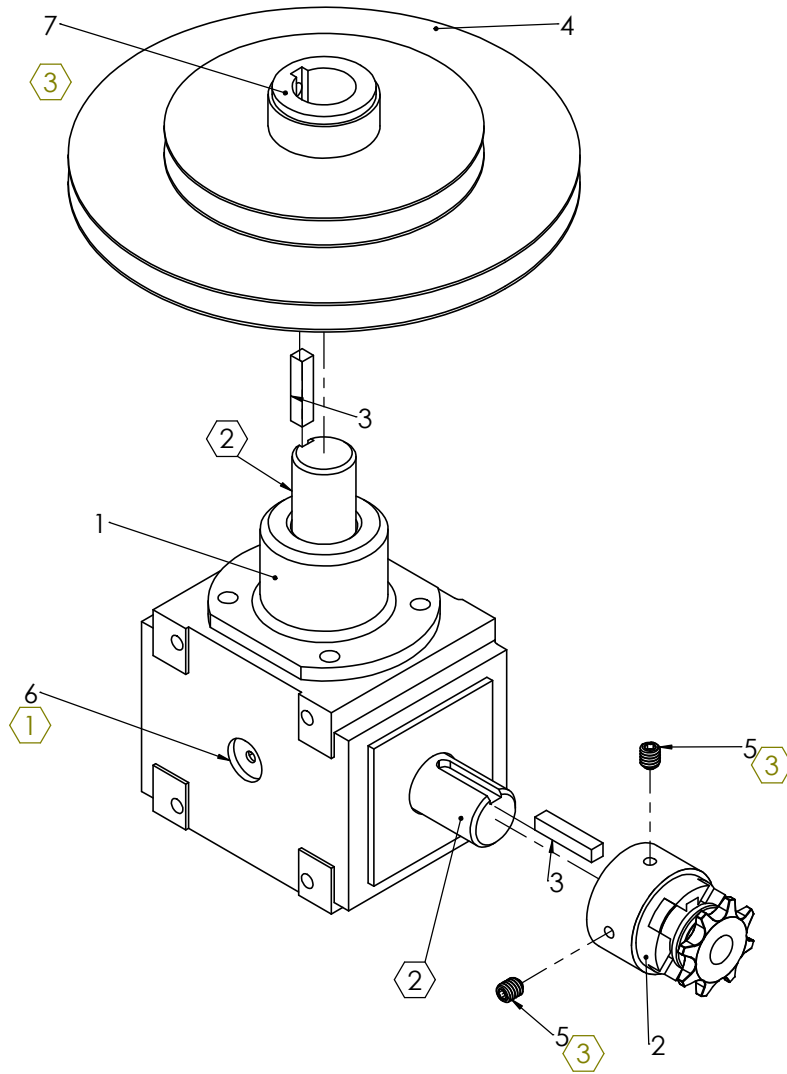


- ① APPLY GREASE
- ② WHEEL MUST SPIN FREELY

ITEM NO.	PART NUMBER	DESCRIPTION	QTY.
1	BR-0066	CASTER WHEEL WA	1
2	BR-0033	WHEEL (5" DIA X 2" WIDTH)	1
3	NSS	HEX BOLT 3/4 X 4	1
4	10-1233	LOCK NUT 3/4	1

NOTE: ALL HARDWARE IS GRADE 5, PLATED AND COARSE THREAD UNLESS OTHERWISE SPECIFIED

TURF TEQ LLC	BR-0119	8/9/2019
MODEL 1305	CASTER WHEEL A	PAGE 3

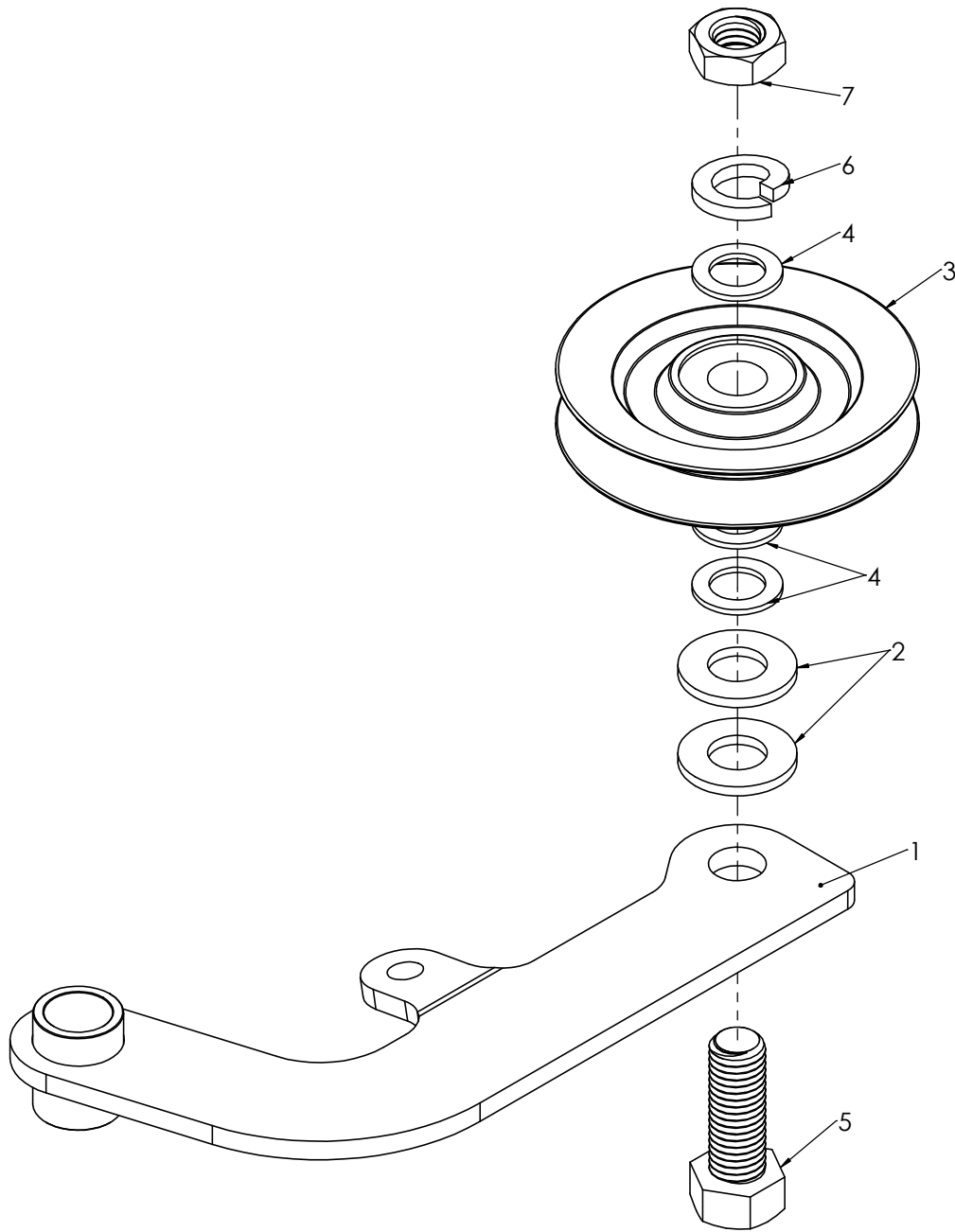


- ① APPLY TEFLON TAPE OR TEFLON SEALANT AFTER PLUG REMOVAL
- ② APPLY ANTI-SEIZE LUBRICANT
- ③ APPLY LOCTITE 271 THREADLOCKER TO ALL SET SCREWS

ITEM NO.	PART NUMBER	DESCRIPTION	QTY.
1	10-0565	GEAR BOX	1
2	BR-0061	SPROCKET W.A.	1
3	10-1116	KEYWAY 1/4 X 1-1/4	2
4	BR-0025	DRIVE PULLEY	1
5	10-1236	5/16-18 X 3/8 SET SCREW	2
6	10-1208	OIL FILL PLUG	1
7	10-1231	1/4-20 SET SCREW	1

NOTES: ALL HARDWARE IS GRADE 5, PLATED AND COARSE THREAD UNLESS OTHERWISE SPECIFIED

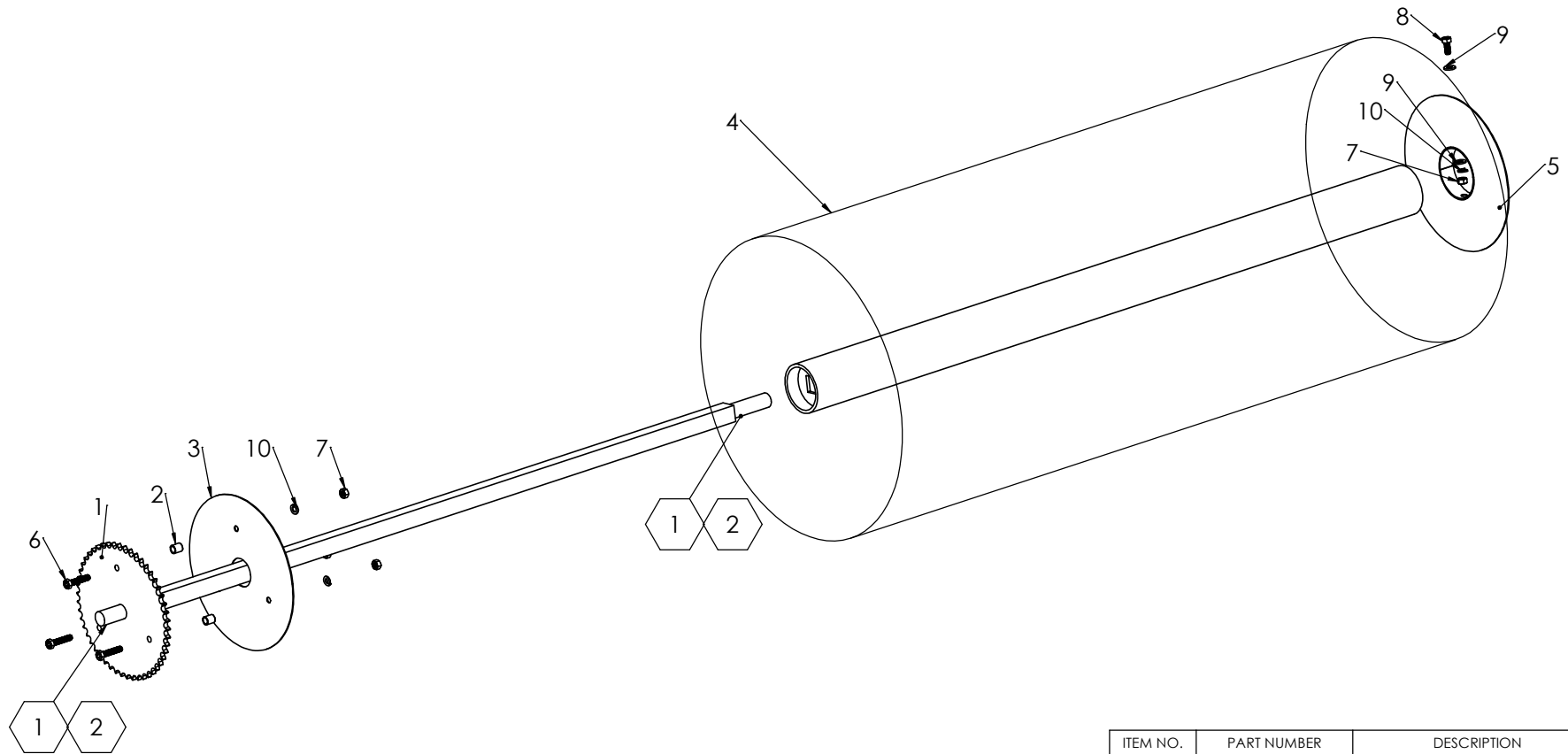
TURF TEQ LLC	BR-0114	6/4/2020
MODEL 1305	GEAR BOX A	PAGE 4



ITEM NO.	PART NUMBER	DESCRIPTION	QTY.
1	BR-0104	ARM W.A.	1
2	10-1224	WASHER 5/8 SAE 5/8 X 1.0 X .13	2
3	10-0433	FLANGED IDLER	1
4	10-1108	WASHER 5/8 MACHINE 5/8 X 1.0 X .07	3
5	NSS	HEX BOLT 5/8 X 1-3/4	1
6	NSS	LOCK WASHER 5/8	1
7	NSS	JAM NUT 5/8	1

NOTES: ALL HARDWARE IS GRADE 5, PLATED AND COARSE THREAD UNLESS OTHERWISE SPECIFIED

TURF TEQ LLC	BR-0115	8/6/2019
MODEL 1305	IDLER ARM A	PAGE 5

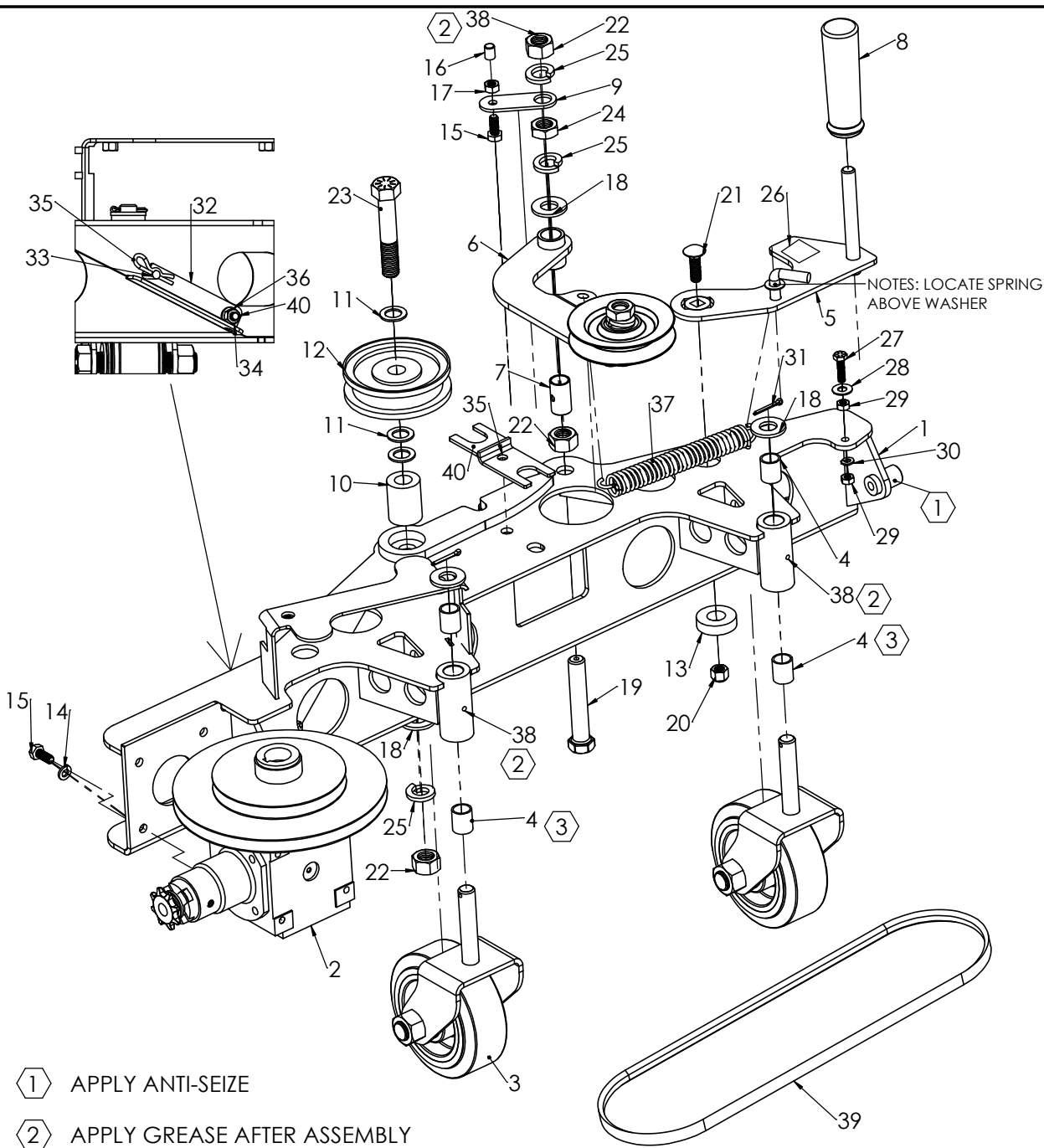


- ① EMERY CLOTH SHAFT TO REMOVE PAINT
- ② APPLY ANIT-SEIZE LUBRICANT

ITEM NO.	PART NUMBER	DESCRIPTION	QTY.
1	BR-0045	DRIVE SHAFT W.A.	1
2	10-0619	SPACER	3
3	BR-0036	END PLATE	1
4	BR-0020	BRUSH A POLY	1
5	BR-0060	RING W.A.	1
6	NSS	HEX BOLT 5/16 X 1-1/2	3
7	NSS	NUT 5/16	5
8	NSS	HEX BOLT 5/16 X 3/4	2
9	10-1214	WASHER SAE 5/16 X .68 X 1/16	4
10	NSS	LOCK WASHER 5/16	5

NOTES: ALL HARDWARE IS GRADE 5, PLATED AND COARSE THREAD UNLESS OTHERWISE SPECIFIED

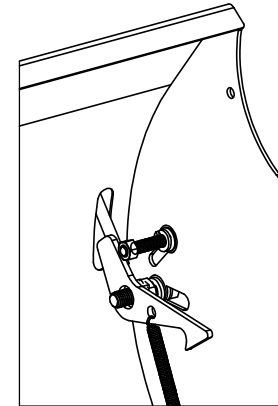
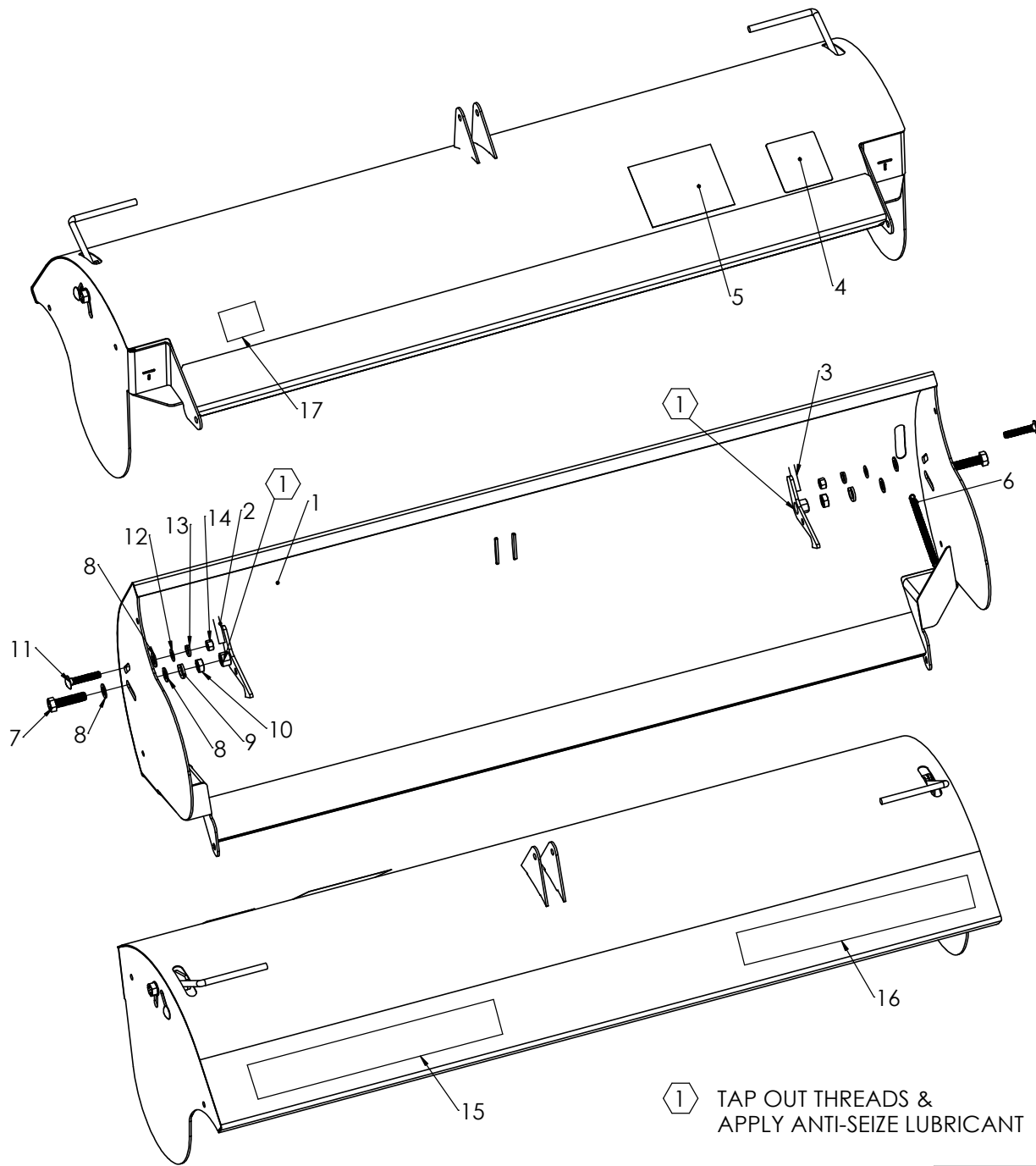
TURF TEQ LLC	BR-0116	8/21/2019
MODEL 1305	BRUSH A	PAGE 6



ITEM NO.	PART NUMBER	DESCRIPTION	QTY.
1	BR-0145	CARRIER FRAME W.A.	1
2	BR-0114	GEARBOX A	1
3	BR-0119	CASTER WHEEL A	2
4	BR-0058	BUSHING	4
5	BR-0130	ARM W.A.	1
6	BR-0115	IDLER ARM A	1
7	10-0659	SPACER 5/8 X 3/4 X 1.3	1
8	10-0332	HANDLE	1
9	BR-0201	FLAT	1
10	BR-0158	SPACER 5/8 X 1.25 X 1.6	1
11	10-1108	WASHER 5/8 MACHINE 5/8 X 1.0 X 07	3
12	10-0501	FLAT IDLER PULLEY	1
13	BR-0132	WASHER 3/8 X 1.5 X 3/16	1
14	NSS	LOCK WASHER 5/16	4
15	NSS	HEX BOLT 5/16 X 3/4	7
16	BR-0139	5/16" BUMPER	1
17	NSS	NUT 5/16	1
18	NSS	FLAT WASHER 5/8 SAE	4
19	10-0587	DRILLED TAP BOLT 5/8 X 3.5	1
20	10-1215	LOCK NUT 3/8	1
21	NSS	CARRIAGE BOLT 3/8 X 1	1
22	NSS	NUT 5/8	3
23	NSS	TAP BOLT 5/8 X 3.5	1
24	NSS	JAM NUT 5/8	1
25	NSS	LOCK WASHER 5/8	3
26	BR-0141	DECAL - SPRING RELEASE	1
27	NSS	HEX BOLT 1/4 X 1	1
28	NSS	FENDER WASHER 5/16	1
29	NSS	NUT 1/4	2
30	NSS	LOCK WASHER 1/4	1
31	10-1232	COTTER PIN 1/8 X 1.25	2
32	10-1296	BROOM SUPPORT STAND	2
33	10-0615	CLEVIS PIN 5/16 X 1	2
34	NSS	WASHER SAE 5/16	2
35	10-1434	HAIR PIN - COTTER 1/8 X 1-3/4	3
36	NSS	LOCK NUT 5/16-18	2
37	BR-0121	SPRING	1
38	10-1120	LUBE FITTING	3
39	BR-0084	V-BELT (B-74)	1
40	10-1379	H-PLATE FOR BROOM	1

- ① APPLY ANTI-SEIZE
- ② APPLY GREASE AFTER ASSEMBLY
- ③ REAM BUSHINGS BEFORE INSERTING DOLLY WHEEL

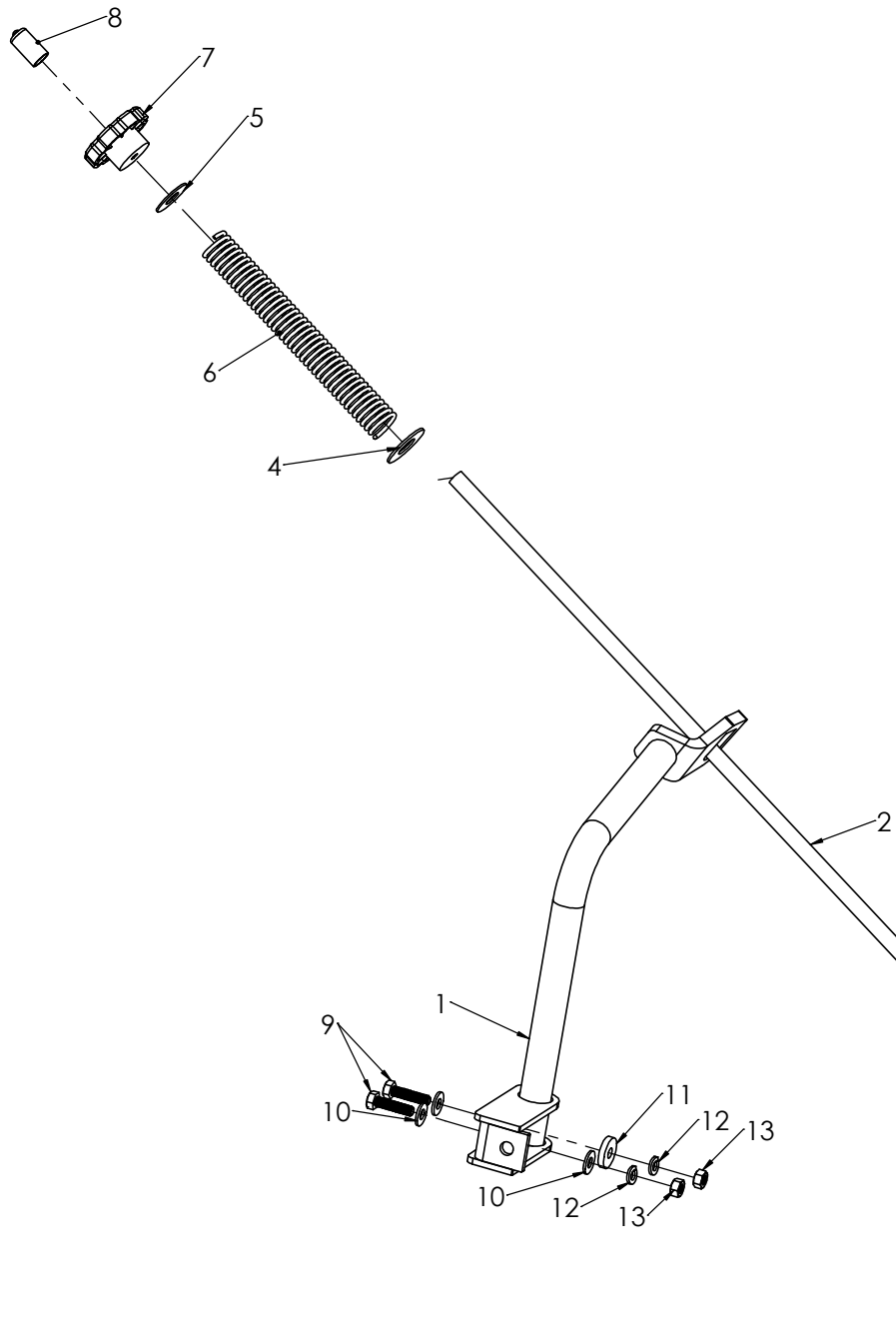
NOTE: ALL HARDWARE IS GRADE , PLATED AND COARSE THREAD UNLESS OTHERWISE SPECIFIED



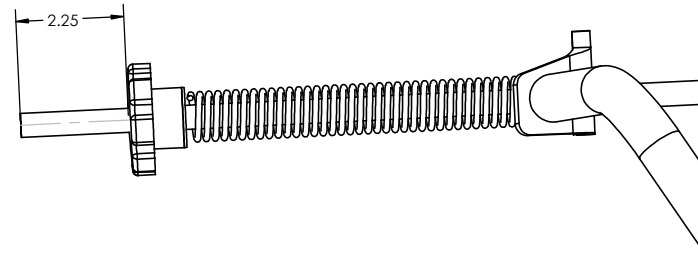
ITEM NO.	PART NUMBER	DESCRIPTION	QTY.
1	BR-0063	HOOD W.A.	1
2	BR-0043	LATCH RH W.A.	1
3	BR-0044	LATCH LH W.A.	1
4	10-0438	DECAL - WARNING MOVING PARTS	1
5	BR-0140	DECAL - BELT CONFIG	1
6	BR-0092	EXT. SPRING 9/16 X 5 LENGTH X 1/16 WIRE	2
7	NSS	TAP BOLT 1/2-13 X 2	2
8	NSS	FLAT WASHER 1/2	6
9	NSS	LOCK WASHER 1/2	2
10	NSS	JAM NUT 1/2	2
11	NSS	CARRIAGE BOLT 3/8 X 2	2
12	NSS	FLAT WASHER 3/8	2
13	NSS	LOCK WASHER 3/8	2
14	NSS	NUT 3/8	2
15	10-0437	DECAL - DANGER	1
16	10-1692	DECAL - BROOM	1
17	10-1376	DECAL - MADE IN USA	1

NOTES: ALL HARDWARE IS GRADE 5, PLATED AND COARSE THREAD UNLESS OTHERWISE SPECIFIED

TURF TEQ LLC	BR-0117	8/21/2019
MODEL 1305	LID & LATCH A	PAGE 8



FACTORY SETTING
(SET AT 2.25 WITH BROOM IN DOWN POSITION)



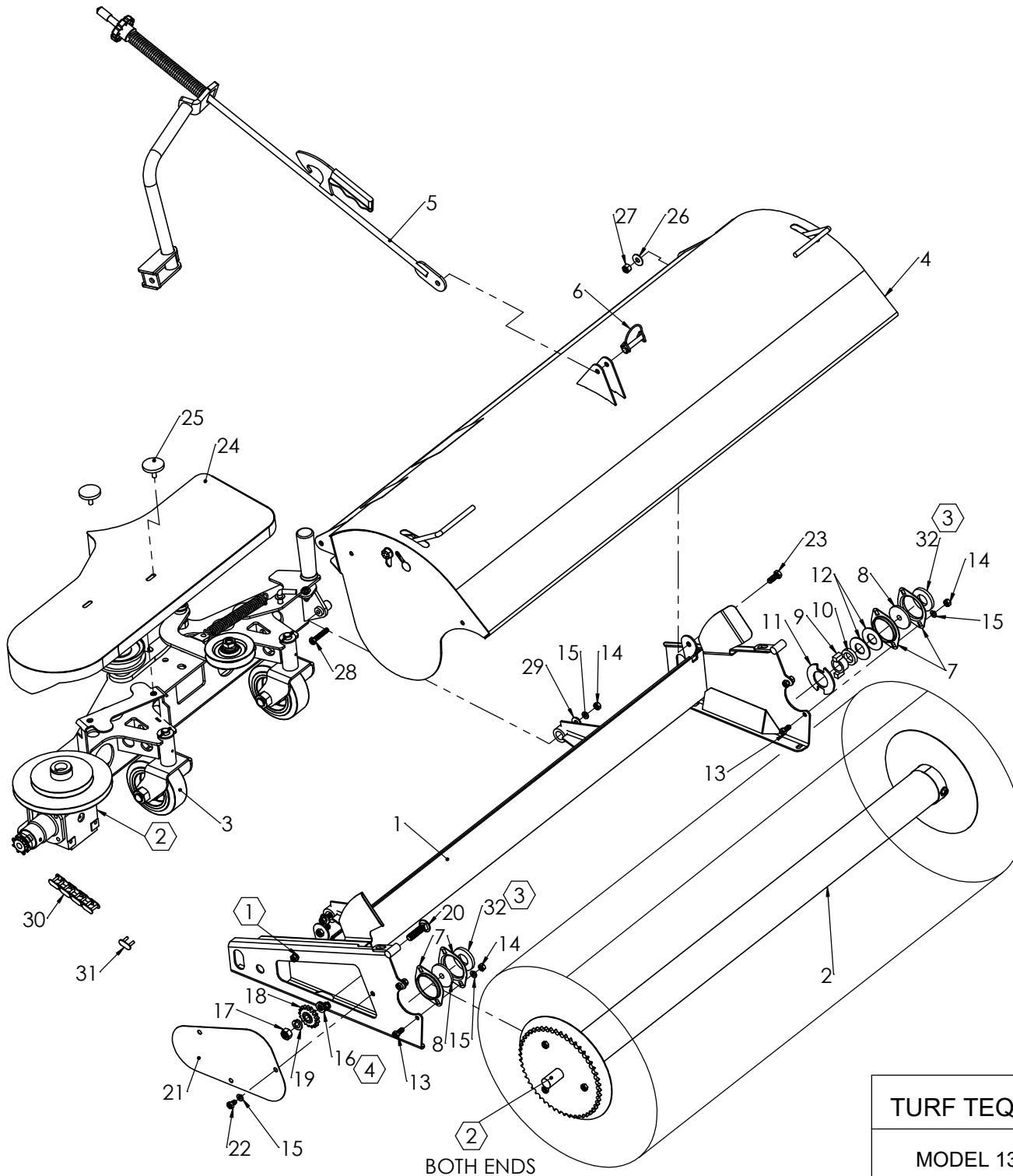
ITEM NO.	PART NUMBER	DESCRIPTION	QTY.
1	BR-0090	LIFT ARM W.A.	1
2	BR-0064	LINK W.A.	1
3	10-0474	GRIP	1
4	NSS	WASHER 5/8	1
5	NSS	WASHER 1/2	1
6	BR-0108	SPRING	1
7	BR-0086	KNOB	1
8	10-1628	1/2" BUMPER	1
9	NSS	HEX BOLT 5/16 X 1.25	2
10	10-1214	WASHER 5/16	3
11	BR-0146	WASHER	1
12	NSS	LOCK WASHER 5/16	2
13	NSS	NUT 5/16	2

NOTE: ALL HARDWARE IS GRADE 5, PLATED AND COARSE THREAD UNLESS OTHERWISE SPECIFIED

TURF TEQ LLC	BR-0155	8/21/2019
MODEL 1305	LIFT LINKAGE A	PAGE 9

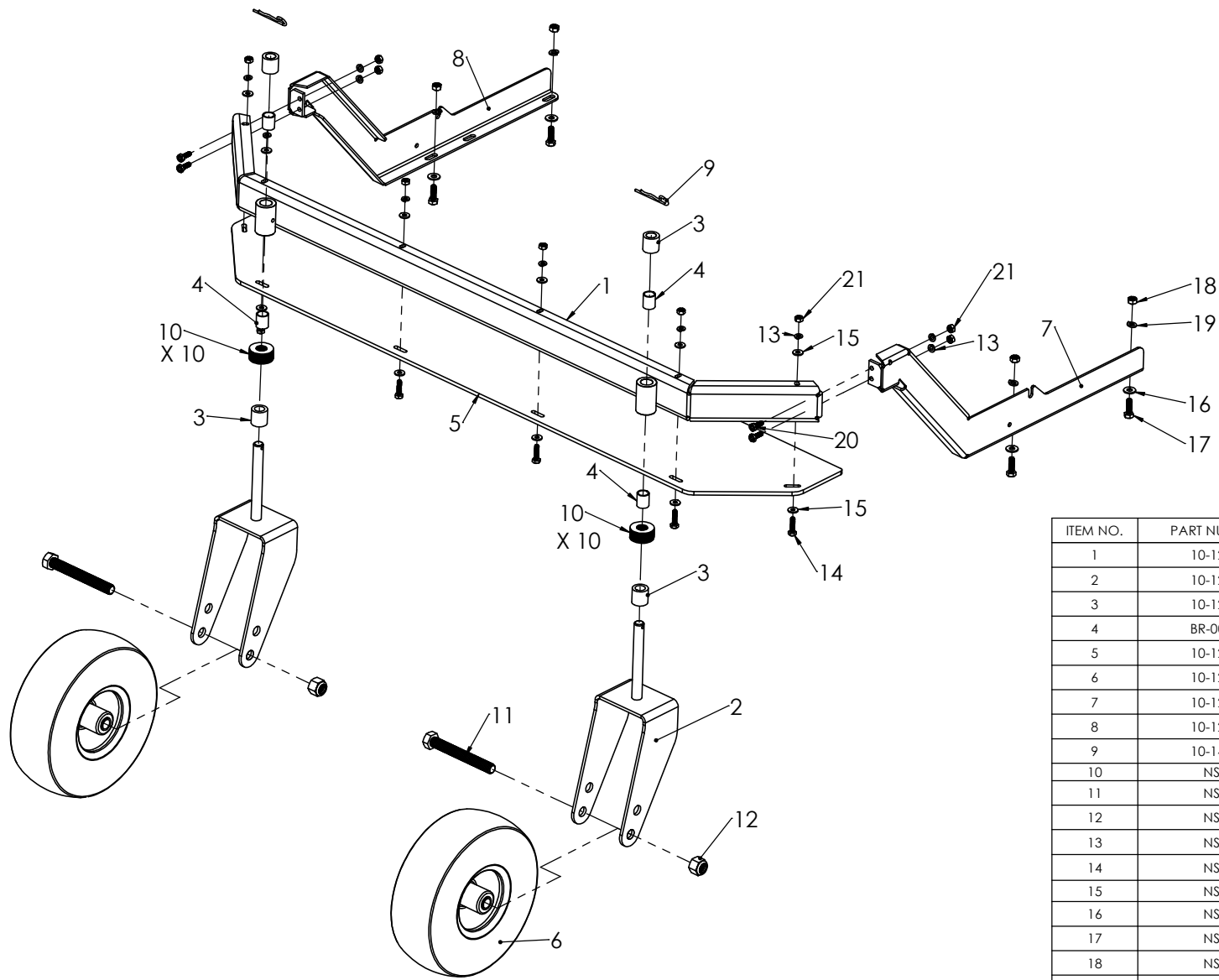
NOTE: ALL HARDWARE IS GRADE 5, PLATED AND COARSE THREAD UNLESS OTHERWISE SPECIFIED

- ① TAP-OUT THREADS
- ② APPLY ANTI-SEIZE LUBRICANT
- ③ APPLY LOCTITE 271 THREADLOCKER TO LOCK COLLAR SET SCREW
- ④ USE AS MANY AS NEEDED TO ALIGN THE SPROCKETS



ITEM NO.	PART NUMBER	DESCRIPTION	QTY.
1	BR-0072	BRUSH FRAME W.A.	1
2	BR-0116	BRUSH A COMPLETE W SHAFT	1
3	BR-0118	CARRIER FRAME A	1
4	BR-0117	LID & LATCH A	1
5	BR-0155	LIFT LINKAGE A	1
6	10-0574	SNAP PIN 3/8 X 1.37	1
7	BR-0032	FLANGETTE	4
8	BR-0031	BEARING & LOCK COLLAR	2
9	BR-0094	STOP W.A.	1
10	BR-0147	SPACER 7/8 X 1.4 X .29 LENGTH	1
11	10-1299	END PLAY SHIM	3
12	10-1123	MACHINE WASHER 7/8 X 1.38 X 1/16	2
13	NSS	HEX BOLT 5/16 X 3/4	2
14	NSS	NUT 5/16	8
15	NSS	LOCK WASHER 5/16	8
16	NSS	FLAT WASHER 1/2	1
17	NSS	NUT 1/2	1
18	BR-0055	SPROCKET IDLER	1
19	NSS	LOCK WASHER 1/2	1
20	NSS	CARRIAGE BOLT 1/2 X 2	1
21	BR-0102	COVER	1
22	NSS	HEX BOLT 5/16 X 1/2	3
23	NSS	HEX BOLT 3/8 X 1	2
24	BR-0083	SHIELD W.A.	1
25	10-0618	SHEILD KNOB	2
26	NSS	WASHER 3/8	2
27	10-1215	LOCK NUT 3/8	2
28	NSS	HEX BOLT 5/16 X 1.75	2
29	NSS	FENDER WASHER 5/16	1
30	BR-0034	ROLLER CHAIN A (RC-40) (48.5")	1
31	BR-0112	RC-40 CONNECTING LINK	1
32	REF	LOCK COLLAR 1" - SUPPLIED W/BRG BR-0031	2

TURF TEQ LLC	BR-0142	8/9/2019
MODEL 1305	BROOM ATTACH A	PAGE 10



ITEM NO.	PART NUMBER	DESCRIPTION	QTY.
1	10-1272	CROSS FRAME RAIL W.A.	1
2	10-1263	DOLLY W.A.	2
3	10-1281	SPACER	4
4	BR-0058	BRONZE BUSHING	4
5	10-1265	PLASTIC DEBRIS GUARD	1
6	10-1264	DOLLY WHEEL	2
7	10-1280	LH FRAME RAIL W.A.	1
8	10-1279	RH FRAME RAIL W.A.	1
9	10-1420	HAIR PIN	2
10	NSS	FLAT WASHER 5/8	20
11	NSS	HEX BOLT 5/8 X 5	2
12	NSS	LOCK NUT 5/8	2
13	NSS	LOCK WASHER 1/4	10
14	NSS	HEX BOLT 1/4 X 1	6
15	NSS	FLAT WASHER 1/4	12
16	NSS	FLAT WASHER 5/16	4
17	NSS	HEX BOLT 5/16 X 1	4
18	NSS	NUT 5/16	4
19	NSS	LOCK WASHER 5/16	4
20	NSS	HEX BOLT 1/4 X 3/4	4
21	NSS	NUT 1/4	10

NOTE: ALL HARDWARE IS GRADE 5, PLATED AND COARSE THREAD UNLESS OTHERWISE SPECIFIED

TURF TEQ LLC	K1305DT	8/21/2019
MODEL 1305	DE-THATCHING KIT A	PAGE 11