



Click Here To View  
Item at

[www.GapPower.com](http://www.GapPower.com)

*Sales • Rentals  
Parts & Service*



# Illustrated Parts Manual

## **Models** **600A** **600AJ**

S/N 0300087000 to Present  
S/N B300000100 to Present

**P/N**  
**3121206**

June 6, 2013

**ANSI**

**CE**



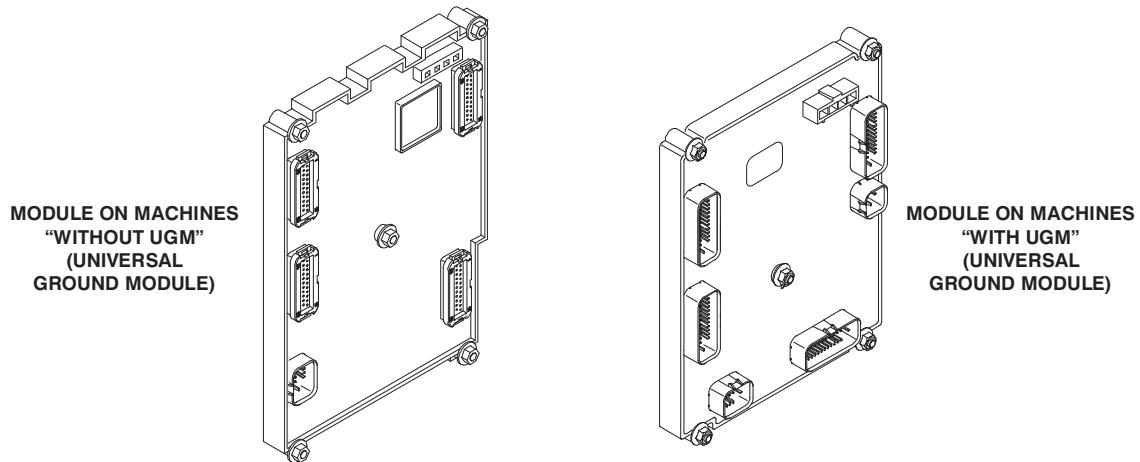
An Oshkosh Corporation Company



# REVISION LOG

**NOTE: The 600A & 600AJ Boom Lifts are manufactured by JLG Industries in the following countries: USA and China. Refer to the Serial Number Tag to identify the country of manufacture. The country of manufacture may be determined by the Serial Number. Machines manufactured in the USA will have a serial number prefix of 03 (i.e. 03XXXXXXXX). Machines manufactured in the China will have a serial number prefix of B3 (i.e. B3XXXXXXXX).**

## GROUND MODULE MODULE IDENTIFICATION



June 1, 2005 - Original Issue Of Manual (Manual edited to 0010629 Revision 14)

August 26 , 2005 - Revised Manual (Manual edited to 0010629 Revision 17)

November 21, 2005 - Revised Manual (Manual edited to 0010629 Revision 21)

April 18, 2006 - Revised Manual (Manual edited to 0010629 Revision 27)

July 31, 2006 - Revised Manual (Manual edited to 0010629 Revision 31)

December 12, 2006 - Revised Manual (Manual edited to 0010629 Revision 32)

May 1, 2007 - Revised Manual (Manual edited to 0010629 Revision 40)

August 16, 2007 - Revised Manual (Manual edited to 0010629 Revision 42)

December 4, 2007 - Revised Manual (Manual edited to 0010629 Revision 44)

March 31, 2008 - Revised Manual (Manual edited to 0010629 Revision 45)

September 2, 2008 - Revised Manual (Manual edited to 0010629 Revision 45)

February 15, 2009 - Revised Manual (Manual edited to 0010629 Revision 65)

August 1, 2009 - Revised Manual (Manual edited to 0010629 Revision 65)

March 25, 2010 - Revised Manual (Manual edited to 0010629 Revision 76)

August 15, 2010 - Revised Manual (Manual edited to 0010629 Revision 80 & 0010722 Revision 3)

February 24, 2011 - Revised Manual Manual edited to 0010629 Revision 85 & 0010722 Revision 5)

May 27, 2011 - Revised Manual (Manual edited to 0010629 Revision 86 & 0010722 Revision 5)

August 29, 2011 - Revised Manual (Manual edited to 0010629 Revision 86 & 0010722 Revision 5)

December 23, 2011 - Revised Manual (Manual edited to 0010629 Revision B & 0010722 Revision B)

April 27, 2012 - Revised Manual (Manual edited to 0010629 Revision E & 0010722 Revision C)

July 24, 2012 - Revised Manual (Manual edited to 0010629 Revision E & 0010722 Revision D)



## REVISION LOG

November 2, 2012 - Revised Manual (Manual edited to 0010629 Revision E & 0010722 Revision D)

March 6, 2013 - Revised Manual (Manual edited to 0010629 Revision E & 0010722 Revision D)

June 6, 2013 - Revised Manual (Manual edited to 0010629 Revision E & 0010722 Revision D)

# TABLE OF CONTENTS

FIGURE NO.	TITLE	PAGE NO.
<b>SECTION 1 - FRAME .....1-1</b>		
1-1	2WD FRONT AXLE & STEERING INSTALLATIONS .....	1-2
1-2	4WD FRONT AXLE & STEERING INSTALLATIONS .....	1-8
1-3	4WS REAR STEERING INSTALLATIONS .....	1-12
1-4	TIRE & WHEEL DRIVE INSTALLATIONS .....	1-14
1-5	DRIVE HUB ASSEMBLY .....	1-18
1-6	DRIVE MOTOR ASSEMBLY (USA BUILT MACHINES S/N 0300087000 TO S/N 0300098766) (ORIGINAL EQUIPMENT) .....	1-22
1-7	DRIVE MOTOR ASSEMBLY (USA BUILT MACHINES S/N 98766 TO PRESENT & CHINA BUILT MACHINES S/N B300000100 TO PRESENT) (SERVICE REPLACEMENT) .....	1-26
1-8	DRIVE VALVES & SHIELDS INSTALLATION (FRAME MOUNTED) .....	1-28
1-9	TOW PACKAGE INSTALLATION (OPTIONAL) .....	1-32
<b>SECTION 2 - TURNTABLE .....2-1</b>		
2-1	CONTROL VALVES INSTALLATIONS .....	2-2
2-2	MAIN VALVE BLOCK ASSEMBLY .....	2-6
2-3	ACCESSORY VALVE ASSEMBLIES .....	2-10
2-4	SWING DRIVE, TURNTABLE BEARING & LOCK INSTALLATIONS .....	2-12
2-5	SWING HUB ASSEMBLY (USA BUILT MACHINES S/N 0300087000 TO S/N 0300137453) .....	2-16
2-6	SWING MOTOR ASSEMBLY (WHITE ROLLER STATOR) (USA BUILT MACHINES S/N 030087000 TO S/N 0300137453) .....	2-18
2-7	SWING MOTOR ASSEMBLY (PARKER) (USA BUILT MACHINES S/N 0300087000 TO S/N 0300137453) .....	2-20
2-8	SWING MOTOR/BRAKE/HUB ASSEMBLY (PARKER/FAIRFIELD) (USA BUILT MACHINES S/N 0300137453 TO PRESENT & CHINA BUILT MACHINES S/N B300000100 TO PRESENT) .....	2-22
2-9	CATERPILLAR ENGINE INSTALLATION (USA BUILT MACHINES S/N 0300087000 TO S/N 0300140369) .....	2-26
2-10	CATERPILLAR ENGINE INSTALLATION (USA BUILT MACHINES S/N 0300140369 TO PRESENT & CHINA BUILT MACHINES S/N B300000100 TO PRESENT) ...	2-36
2-11	DEUTZ ENGINE INSTALLATION .....	2-44
2-12	FORD ENGINE INSTALLATION .....	2-56
2-13	GM ENGINE INSTALLATION (USA BUILT MACHINES S/N 0300087000 TO S/N 0300139354) .....	2-62
2-14	GM ENGINE INSTALLATION (USA BUILT MACHINES S/N 0300139354 TO PRESENT) .....	2-70
2-15	PISTON PUMP ASSEMBLY .....	2-76
2-16	GEAR PUMP ASSEMBLY .....	2-82
2-17	TANK INSTALLATIONS .....	2-84
2-18	ROTARY COUPLING INSTALLATIONS (USA BUILT MACHINES S/N 0300087000 TO S/N 0300138649) .....	2-88
2-19	ROTARY COUPLING INSTALLATIONS (USA BUILT MACHINES S/N 0300138649 TO PRESENT & CHINA BUILT MACHINES S/N B300000100 TO PRESENT) ...	2-92
2-20	GROUND CONTROL BOX ASSEMBLY (WITHOUT UGM) .....	2-96
2-21	GROUND CONTROL BOX ASSEMBLY (WITH UGM) .....	2-100
2-22	ELECTRICAL OPTIONS INSTALLATIONS (TURNTABLE MOUNTED) .....	2-104
2-23	ENGINE TRAY JACK INSTALLATIONS (OPTIONAL) .....	2-108
2-24	HOODS INSTALLATIONS (USA BUILT MACHINES S/N 0300087000 TO S/N 0300089989) .....	2-110

# TABLE OF CONTENTS

FIGURE NO.	TITLE	PAGE NO.
2-25	HOODS INSTALLATIONS (USA BUILT MACHINES S/N 0300089989 TO PRESENT & CHINA S/N B300000100 TO PRESENT) . . . . .	2-114
2-26	2500W GENERATOR INSTALLATION - CATERPILLAR MACHINES (OPTIONAL) . . . . .	2-120
2-27	2500W GENERATOR INSTALLATION - DEUTZ MACHINES (OPTIONAL) . . . . .	2-124
2-28	2500W GENERATOR INSTALLATION - FORD MACHINES (OPTIONAL) . . . . .	2-128
2-29	2500W GENERATOR INSTALLATION - GM MACHINES (OPTIONAL) . . . . .	2-132
2-30	7500W SKYPOWER GENERATOR INSTALLATION - CATERPILLAR & DEUTZ ENGINES . . . . .	2-136
2-31	7500W SKYPOWER GENERATOR INSTALLATION - FORD ENGINES . . . . .	2-144
2-32	7500W SKYPOWER GENERATOR INSTALLATION - GM ENGINES . . . . .	2-148
<b>SECTION 3 - BOOM . . . . .</b>		<b>3-1</b>
3-1	USA BUILT MACHINES/BOOMS & CYLINDERS INSTALLATION - 600A . . . . .	3-2
3-2	USA BUILT MACHINES/BOOMS & CYLINDERS INSTALLATION - 600AJ . . . . .	3-6
3-3	CHINA BUILT MACHINES/BOOMS & CYLINDERS INSTALLATION - 600A . . . . .	3-12
3-4	CHINA BUILT MACHINES/BOOMS & CYLINDERS INSTALLATION - 600AJ . . . . .	3-16
3-5	TOWER BOOM ASSEMBLY . . . . .	3-22
3-6	MAIN BOOM ASSEMBLY . . . . .	3-26
3-7	ROTATOR ASSEMBLIES . . . . .	3-32
3-8	VALVES & SWITCHES INSTALLATION (BOOM MOUNTED) . . . . .	3-34
<b>SECTION 4 - PLATFORM . . . . .</b>		<b>4-1</b>
4-1	PLATFORM ASSEMBLIES . . . . .	4-2
4-2	PLATFORM COMPONENTS INSTALLATION (FALL ARREST PLATFORM) . . . . .	4-8
4-3	PLATFORM CONSOLE ASSEMBLY . . . . .	4-10
4-4	CONTROLLER ASSEMBLY (LIFT AND SWING) . . . . .	4-16
4-5	CONTROLLER ASSEMBLY (DRIVE AND STEER) . . . . .	4-20
4-6	PLATFORM PADDING INSTALLATION (30in/76cm DEPTH PLATFORMS) (OPTIONAL) . . . . .	4-24
4-7	SOFT TOUCH SYSTEM INSTALLATION (36in/91.5cm DEPTH PLATFORMS) (OPTIONAL) . . . . .	4-26
<b>SECTION 5 - CYLINDER . . . . .</b>		<b>5-1</b>
5-1	AXLE LOCKOUT CYLINDER ASSEMBLY . . . . .	5-2
5-2	LEVEL CYLINDER ASSEMBLY - PLATFORM . . . . .	5-4
5-3	LEVEL CYLINDER ASSEMBLY - UPRIGHT . . . . .	5-8
5-4	LIFT CYLINDER ASSEMBLY - ARTICULATING JIB . . . . .	5-10
5-5	LIFT CYLINDER ASSEMBLY - MAIN BOOM . . . . .	5-12
5-6	LIFT CYLINDER ASSEMBLY - TOWER BOOM . . . . .	5-14
5-7	MASTER CYLINDER ASSEMBLY . . . . .	5-16
5-8	STEER CYLINDER ASSEMBLY . . . . .	5-20
5-9	STEER CYLINDER ASSEMBLY . . . . .	5-22
5-10	TELESCOPE CYLINDER ASSEMBLY - MAIN BOOM . . . . .	5-24
5-11	TELESCOPE CYLINDER ASSEMBLY - TOWER BOOM . . . . .	5-26
<b>SECTION 6 - HYDRAULIC . . . . .</b>		<b>6-1</b>
6-1	DRIVE HYDRAULIC DIAGRAM - 2WD/2WS . . . . .	6-2
6-2	DRIVE HYDRAULIC DIAGRAM - 4WD/2WS . . . . .	6-4
6-3	HYDRAULIC DIAGRAM - OSCILLATING AXLE . . . . .	6-8

# TABLE OF CONTENTS

FIGURE NO.	TITLE	PAGE NO.
6-4	HYDRAULIC DIAGRAM - STANDARD (USA BUILT MACHINES S/N 0300087000 TO S/N 0300137453) . . . . .	6-10
6-5	HYDRAULIC DIAGRAM - STANDARD (USA BUILT MACHINES S/N 0300137453 TO PRESENT & CHINA BUILT MACHINES S/N B300000100 TO PRESENT) . . . . .	6-14
6-6	HYDRAULIC DIAGRAM LIST . . . . .	6-20
<b>SECTION 7 - ELECTRICAL . . . . .</b>		<b>7-1</b>
7-1	ELECTRICAL DIAGRAM LIST . . . . .	7-2
7-2	ELECTRICAL SCHEMATIC (CATERPILLAR & FORD MACHINES WITHOUT UGM) (USA BUILT MACHINES S/N 0300087000 TO S/N 0300099061) . . . . .	7-4
7-3	ELECTRICAL SCHEMATIC (DEUTZ MACHINES WITHOUT UGM) (USA BUILT MACHINES S/N 0300087000 TO S/N 0300099061) . . . . .	7-10
7-4	ELECTRICAL SCHEMATIC (CATERPILLAR, DEUTZ & GM MACHINES WITHOUT UGM) (USA BUILT MACHINES S/N 0300099061 TO PRESENT) . . . . .	7-16
7-5	ELECTRICAL SCHEMATIC (MACHINES WITH UGM) . . . . .	7-22
7-6	HARNESS COMPONENTS INSTALLATION (WITHOUT UGM) . . . . .	7-30
7-7	HARNESS COMPONENTS INSTALLATION (WITH UGM) . . . . .	7-52
<b>SECTION 8 - DECALS . . . . .</b>		<b>8-1</b>
8-1	DECAL INSTALLATION (ANSI SPEC) . . . . .	8-2
8-2	DECAL INSTALLATION (ANSI EXPORT SPEC) . . . . .	8-6
8-3	DECAL INSTALLATION (AUSTRALIAN & CE SPECS) . . . . .	8-16
<b>SECTION 9 - RECOMMENDED SERVICE PARTS STOCK . . . . .</b>		<b>9-1</b>
<b>SECTION 11 - PARTS NUMBER INDEX . . . . .</b>		<b>11-1</b>

# TABLE OF CONTENTS

FIGURE NO.

TITLE

PAGE NO.

# **SECTION 1**

## **FRAME**



## SECTION 1 FRAME

**FIGURE 1-1. 2WD FRONT AXLE & STEERING INSTALLATIONS**

ITEM #	PART NUMBER	QTY.	DESCRIPTION	REV.
		Ref.	<b>NOTE: 2WD ONLY AVAILABLE ON USA BUILT MACHINES.</b>	
		Ref.	<b>AXLE INSTALLATIONS - OSCILLATING</b>	
	0273954	Ref.	<b>8FT/2.4m Wide Machines without Tow Package</b>	E
	0274234	Ref.	<b>8FT/2.4m Wide Machines with Tow Package</b>	B
	0274922	Ref.	<b>8FT/2.4m Wide Machines without Tow Package (With Turf Tire)</b>	B
	0274047	Ref.	<b>7FT/2.1m Wide Machines without Tow Package</b>	B
	0274256	Ref.	<b>7FT/2.1m Wide Machines with Tow Package</b>	B
1	0100011	A/R	Compound, Locking	
2		1	Axle Weldment Options:	
	0280167		8 ft/2.4m Wide Machine without Tow Package	
	0280183		8 ft/2.4m Wide Machine with Tow Package	
	0280209		8 ft/2.4m Wide Machine with Tow Package (With Turf Tire)	
	0280171		7 ft/2.1m Wide Machine without Tow Package	
	0280185		7 ft/2.1m Wide Machine with Tow Package	
3	0641814	8	Bolt 1/2in-13NC x 1-3/4in	
4	0642012	1	Bolt 5/8in-11NC x 1-1/2in	
5	0961950	2	Bushing	
6		2	Lockout Cylinder Assembly Options (See Section 5 for Breakdown):	
	1684280		S/N 0300087000 to S/N 0300089732	
	1684465		S/N 0300089732 to Present	
7	3422592	1	Pin, Pivot	
8	3841258	1	Keeper, Pin	
9	4740158	1	Thrustwasher	
10	4891800	8	Flatwasher 1/2in Hardened	
11 to 13	Not Used			
14	4071101	A/R	Shim	
		Ref.	<b>AXLE INSTALLATIONS - FIXED</b>	
	0273959	Ref.	<b>8FT/2.4m Wide Machines</b>	D
	0274054	Ref.	<b>7FT/2.1m Wide Machines</b>	B
101	0100011	A/R	Compound, Locking	
102		1	Axle Weldment Options:	
	0280167		8ft/2.4 Wide Machines	
	0280171		7ft/2.1 Wide Machines	
103		2	Bolt 1/2in-13NC Options:	
	0641818	2	8ft/2.4 Wide Machines (2-1/4in Length)	
	0641816	2	7ft/2.1 Wide Machines (2in Length)	
104	0642012	1	Bolt 5/8in-11NC x 1-1/2in	
105	0961950	2	Bushing	
106	3422592	1	Pin, Pivot	
107	3539877	2	Plate, Stop	
108	3841258	1	Keeper, Pin	



# SECTION 1 FRAME

**FIGURE 1-1. 2WD FRONT AXLE & STEERING INSTALLATIONS (CONTINUED)**

ITEM #	PART NUMBER	QTY.	DESCRIPTION	REV.
109		A/R	Shim Options:	
	4070944	12	Shim (.06) for 8ft/2.4 Wide Machines	
	4070945	2	Shim (.25) for 7ft/2.1 Wide Machines	
110	4740158	1	Thrustwasher	
111		2	Spacer Options:	
	4071101		8ft/2.4 Wide Machines	
	4740543		7ft/2.1 Wide Machines	
112 to 114	Not Used			
115	4071101	A/R	Shim	
		Ref.	<b>STEERING INSTALLATION (8FT/2.4M WIDTH MACHINES)</b>	
	0274132	Ref.	<b>2WD/2WS WITHOUT TOW BAR</b>	C
	0274801	Ref.	<b>2WD/2WS WITH TOW BAR</b>	B
201	0100011	A/R	Compound, Locking	
202	0641608	6	Bolt 3/8in-16NC x 1in	
203	0642012	2	Bolt 5/8in-11NC x 1-1/2in	
204	0682020	12	Bolt 5/8in-11NC x 2-1/2in (Grade 8)	
205	0962005	2	Bushing	
206	0962131	4	Bushing	
207		2	Steer Cylinder Assembly Options (See Section 5 for Breakdown):	
	1683208		S/N 0300087000 to S/N 0300142625	
	1001097242		S/N 0300142625 to Present	
208	3272001	12	Nut 5/8in-11NC (Grade 8)	
209		2	Pin Options:	
	3422426		Without Tow Bar	
	3422326		With Tow Bar	
210	3422429	2	Pin	
211	3422430	2	Pin	
212	3422900	2	Kingpin	
213	3841143	6	Keeper	
214	3841258	2	Keeper	
215	3841285	1	Tie-Rod	
216	4130401	1	Spindle (Left Side)	
217		1	Spindle (Right Side) Options:	
	4130402		Without Tow Bar	
	4130412		With Tow Bar	
218	4130410	2	Hub Assembly (See Items 301-311 for Breakdown)	
219	4740256	2	Thrustwasher	
220	4740463	2	Thrustwasher	
221	4892000	24	Flatwasher 5/8in Hardened	
	4130410	Ref.	<b>HUB ASSEMBLY (8FT/2.4M WIDTH MACHINES)</b>	B
		Ref.	<b>Note: Qty is Per Assembly</b>	
301	0440170	2	Cone, Bearing	
302	0440171	2	Cup, Bearing	
303	0721003	3	Screw #10-24NC x 3/8in	
304	1120304	2	Cap, Hub	

## SECTION 1 FRAME

**FIGURE 1-1. 2WD FRONT AXLE & STEERING INSTALLATIONS (CONTINUED)**

ITEM #	PART NUMBER	QTY.	DESCRIPTION	REV.
305	2780271	1	Hub	
305A	0630490	9	Stud, Wheel	
306	3323403	1	Nut, Slotted 1-1/2in-12NF	
307	3451010	1	Pin, Cotter 5/16in x 2-1/2in	
308	3960343	1	Seal	
309	4130409	1	Adapter, Spindle	
310	4740283	1	Flatwasher, Hardened	
311	4761000	3	Lockwasher #10	
312	3020017	A/R	Lubricant (Not Shown)	
		Ref.	<b>STEERING INSTALLATION (7FT/2.1M WIDTH MACHINES)</b>	
	0274257	Ref.	<b>2WS with 7FT/2.1m Wide Frame with Tow Package</b>	B
	0274062	Ref.	<b>4WS with 7FT/2.1m Width Frame without Tow Package</b>	H
401	0100011	A\R	Compound, Locking	
402	0100063	A\R	Loctite # RC609	
403	0440018	4	Cup, Bearing	
404	0440019	4	Cone, Bearing	
405	0440161	2	Thrustwasher	
406	0641404	6	Bolt 1/4in-20NC x 1/2in	
407	0641608	4	Bolt 3/8in-16NC x 1in	
408	0681608	4	Bolt 3/8in-16NC x 1in (Grade 8)	
409	0962005	4	Bushing	
410	0962272	4	Bushing	
411	1120460	2	Cap, Hub	
412	1684418	2	Steer Cylinder Assembly (See Section 5 for Breakdown)	
413		A/R	Hub Options:	
	2780276	2	Without Tow Package	
	4130413	1	With Tow Package (Left Side)	
	4130415	1	With Tow Package (Right Side)	
413A	0630490	18	Stud, Wheel (9 Per Hub)	
414	3300106	18	Nut, Wheel	
415	3323403	2	Nut, Slotted 1-1/2in-12NF	
416	3422426	2	Pin	
417		A/R	Pin Options:	
	3422429	2	Without Tow Package	
	3422429	1	With Tow Package	
	3422427	1	With Tow Package	
418	3422430	2	Pin	
419	3423175	2	Kingpin	
420	3450810	2	Pin, Cotter 1/4in x 2-1/2in	
421	3451010	2	Pin, Cotter 5/16in x 2-1/2in	
422	3841143	6	Keeper	
423	3841263	1	Tie-Rod	
424	3960098	2	Seal	
425	4130413	1	Spindle (Right Side)	
426	4130414	1	Spindle (Left Side)	
427	4740016	2	Flatwasher, Hardened	
428 to 436	Not Used			

# SECTION 1 FRAME

## FIGURE 1-1. 2WD FRONT AXLE & STEERING INSTALLATIONS (CONTINUED)

ITEM #	PART NUMBER	QTY.	DESCRIPTION	REV.
437	2220237	2	Plug	
438	3313403	2	Nut, Slotted 1-1/2in-6NC	
	2890245	1	Wheel Bearing Retention Washer Replacement Kit (Includes Items 420 & 427)	

**FIGURE 1-1. 2WD FRONT AXLE & STEERING INSTALLATIONS (CONTINUED)**

ITEM #	PART NUMBER	QTY.	DESCRIPTION	REV.



## SECTION 1 FRAME

**FIGURE 1-2. 4WD FRONT AXLE & STEERING INSTALLATIONS**

ITEM #	PART NUMBER	QTY.	DESCRIPTION	REV.
		Ref.	<b>AXLE INSTALLATIONS - OSCILLATING</b>	
		Ref.	<b>USA Built Machines (S/N 0300087000 to Present)</b>	
	0273954	Ref.	<b>8FT/2.4m Wide Machines without Tow Package</b>	E
	0274234	Ref.	<b>8FT/2.4m Wide Machines with Tow Package</b>	B
	1001113537	Ref.	<b>China Built Machines (S/N B300000100 to Present)</b>	B
1	0100011	A/R	Compound, Locking	
	0100038	A/R	Primer, Locking	
2		1	Axle Weldment Options: USA Built Machines: 8 ft/2.4m Wide Machine without Tow Package 8 ft/2.4m Wide Machine with Tow Package China Built Machines:	
	0280167		8 ft/2.4m Wide Machine without Tow Package	
	0280183		8 ft/2.4m Wide Machine with Tow Package	
	1001113539		China Built Machines:	
3	0641814	8	Bolt 1/2in-13NC x 1-3/4in	
4	0642012	1	Bolt 5/8in-11NC x 1-1/2in	
5	0961950	2	Bushing	
6		2	Lockout Cylinder Assembly Options (See Section 5 for Breakdown): USA Built Machines S/N 0300087000 to S/N 0300089732 USA Built Machines S/N 0300089732 to Present China Built Machines S/N B300000100 to Present	
	1684280		USA Built Machines S/N 0300087000 to S/N 0300089732	
	1684465		USA Built Machines S/N 0300089732 to Present	
	1684465		China Built Machines S/N B300000100 to Present	
7	3422592	1	Pin, Pivot	
8	3841258	1	Keeper, Pin	
9	4740158	1	Thrustwasher	
10	4891800	8	Flatwasher 1/2in Hardened	
11 to 13	Not Used			
14	4071101	A/R	Shim	
	0273959	Ref.	<b>AXLE INSTALLATIONS - FIXED</b>	D
		Ref.	<b>Note: Available Only on USA Built Machines.</b>	
101	0100011	A/R	Compound, Locking	
102	0280167	1	Axle Weldment	
103	0641818	2	Bolt 1/2in-13NC x 2-1/4in	
104	0642012	1	Bolt 5/8in-11NC x 1-1/2in	
105	0961950	2	Bushing	
106	3422592	1	Pin, Pivot	
107	3539877	2	Plate, Stop	
108	3841258	1	Keeper, Pin	
109	4070944	12	Shim (.06)	
110	4740158	1	Thrustwasher	
111	3539878	2	Spacer	
112 to 114	Not Used			
115	4071101	A/R	Shim	

# SECTION 1 FRAME

**FIGURE 1-2. 4WD FRONT AXLE & STEERING INSTALLATIONS (CONTINUED)**

ITEM #	PART NUMBER	QTY.	DESCRIPTION	REV.
		Ref.	<b>STEERING INSTALLATION</b>	
		Ref.	<b>USA Built Machines (S/N 0300087000 to Present)</b>	
	0273940	Ref.	<b>2WS without Tow Package</b>	C
	0274220	Ref.	<b>2WS with Tow Package</b>	C
	0274121	Ref.	<b>4WS without Tow Package</b>	C
	0274220	Ref.	<b>4WS with Tow Package</b>	C
		Ref.	<b>China Built Machines (S/N B300000100 to Present)</b>	
	1001113654	Ref.	<b>2WS</b>	B
	1001121244	Ref.	<b>4WS</b>	A
201	0100011	A\R	Compound, Locking	
202	0100063	A\R	Loctite # RC609	
203	0641608	6	Bolt 3/8in-16NC x 1in	
204	0642012	2	Bolt 5/8in-11NC x 1-1/2in	
205	0962005	2	Bushing	
206	0962131	4	Bushing	
207		2	Steer Cylinder Assembly Options (See Section 5 for Breakdown):	
	1683208		USA Built Machines S/N 0300087000 to S/N 0300142981	
	1001097242		USA Built Machines S/N 0300142981 to Present	
	1001097242		China Built Machines S/N B300000100 to Present	
208	3422426	2	Pin	
209		A\R	Pin Options:	
	3422429	2	Without Tow Package	
	3422429	1	With Tow Package	
	3422427	1	With Tow Package	
210	3422430	2	Pin	
211	3422900	2	Kingpin	
212	3841143	6	Keeper	
213	3841258	2	Keeper	
214		1	Tie-Rod Options:	
	3841285		USA Built Machines	
	1001113715		China Built Machines	
215		1	Spindle (Left Side) Options:	
	4130401		USA Built Machines	
	1001113655		China Built Machines	
216		1	Spindle (Right Side) Options:	
	4130402		USA Built Machines with Without Tow Package	
	4130412		USA Built Machines With Tow Package	
	1001113656		China Built Machines	
217	4740256	2	Thrustwasher	
218	4740463	2	Thrustwasher	

**FIGURE 1-2. 4WD FRONT AXLE & STEERING INSTALLATIONS (CONTINUED)**

ITEM #	PART NUMBER	QTY.	DESCRIPTION	REV.



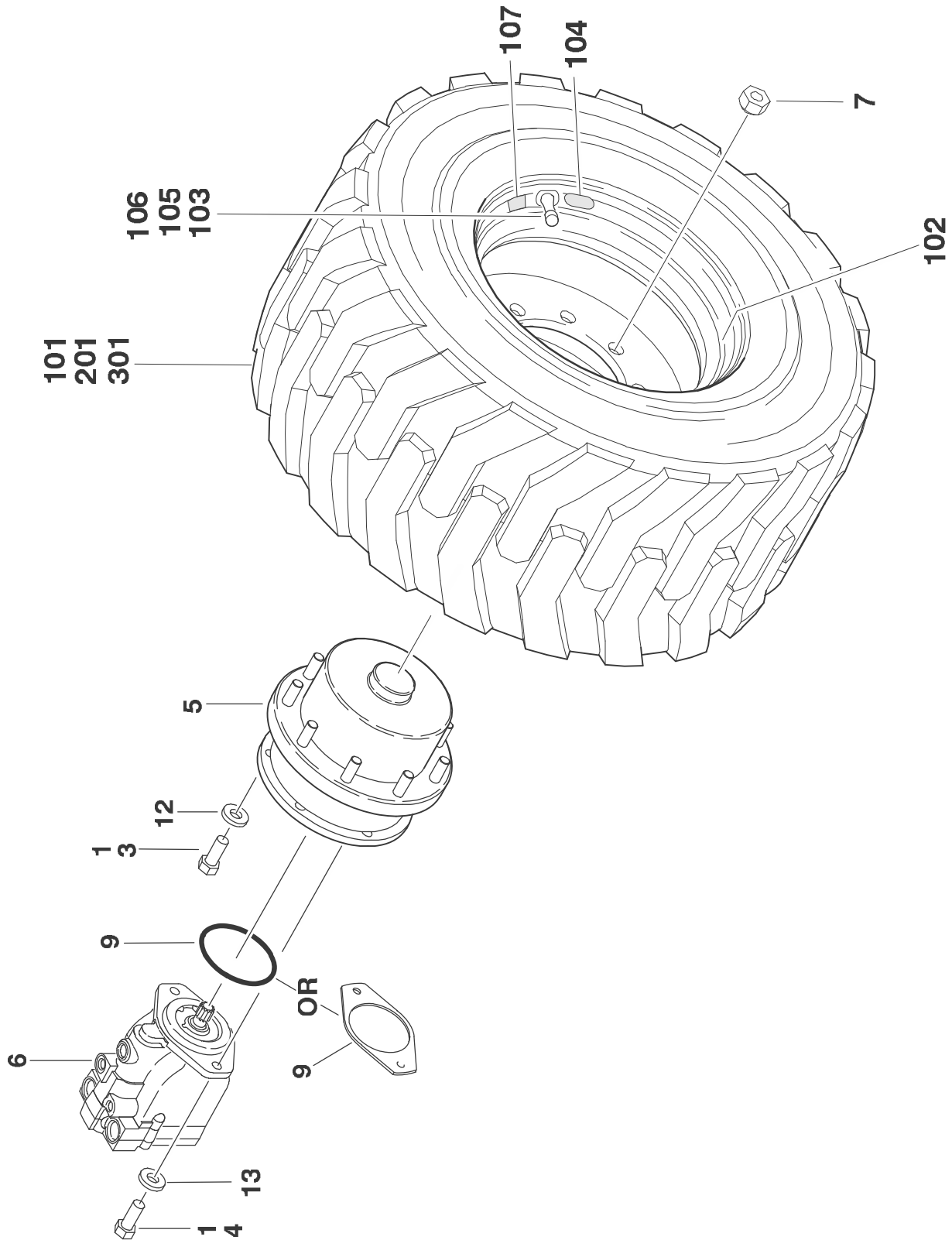


**FIGURE 1-3. 4WS REAR STEERING INSTALLATIONS**

ITEM #	PART NUMBER	QTY.	DESCRIPTION	REV.
		Ref.	<b>4WS REAR STEERING INSTALLATIONS OPTIONS:</b>	
	See Note	Ref.	<b>2WD/4WS 8FT/2.4m Wide Machines (Note: No Longer Available)</b>	
	0274062	Ref.	<b>2WD/4WS 7FT/2.1m Wide Machines</b>	H
	0274121	Ref.	<b>4WD/4WS Machines</b>	B
1	0100011	A\R	Compound, Locking	
2	0100063	A\R	Loctite # RC609	
3	0641608	6	Bolt 3/8in-16NC x 1in	
4	0642012	2	Bolt 5/8in-11NC x 1-1/2in	
5	0962005	2	Bushing	
6	0962131	4	Bushing	
7		2	Steer Cylinder Assembly Option (See Section 5 for Breakdown):	
	1684418		7FT/2.1m Wide Machines	
	1683208		8FT/2.4m Wide Machines	
8	3422426	2	Pin	
9	3422429	2	Pin	
10	3422430	2	Pin	
11	3422900	2	Kingpin	
12	3841143	6	Keeper	
13	3841258	2	Keeper	
14		1	Tie-Rod Options:	
	3841677		7FT/2.1m Wide Machines	
	3841285		8FT/2.4m Wide Machines	
15	4130401	1	Spindle (Left Side)	
16	4130402	1	Spindle (Right Side)	
17	4740256	2	Thrustwasher	
18	4740463	2	Thrustwasher	

# SECTION 1 FRAME

## FIGURE 1-4. TIRE & WHEEL DRIVE INSTALLATIONS



## SECTION 1 FRAME

**FIGURE 1-4. TIRE & WHEEL DRIVE INSTALLATIONS**

ITEM #	PART NUMBER	QTY.	DESCRIPTION	REV.
		Ref.	<b>WHEEL DRIVE INSTALLATIONS</b>	
	0273049	Ref.	<b>2WD/2WS</b>	I
	0274441	Ref.	<b>2WD/4WS</b>	F
	0273048	Ref.	<b>4WD/2WS</b>	K
	0273366	Ref.	<b>4WD/4WS</b>	I
		Ref.	<b>Note: 2WD Qty Shown. For 4WD, Double Qty Shown.</b>	
1	0100011	A/R	Compound, Locking	
2	Not Used			
3	0681810	4	Bolt 1/2in-13NC x 1-1/4in (Grade 8)	
4	0682016	12	Bolt 5/8in-11NC x 2in (Grade 8)	
5	2780269	2	Drive Hub Assembly (See Figure 1-5 for Breakdown)	
6		2	Drive Motor Assembly Options: USA Built Machines S/N 0300087000 to S/N 0300098766 (See Figure 1-6 for Breakdown): 2WD (Was p/n 3160299) 4WD (Was p/n 3160300) USA Built Machines S/N 0300098766 to Present (See Figure 1-7 for Breakdown): 2WD 4WD China Built Machines S/N B300000100 to Present (See Figure 1-7 for Breakdown):	
	Use 3160349			
	Use 3160350			
	3160349			
	3160350			
	3160350			
7	3300106	18	Nut, Wheel	
8	Not Used			
9		1	Hardware Options: O-Ring (USA Built Machines S/N 0300087000 to S/N 0300102233) Gasket (USA Built Machines S/N 0300102233 to Present) Gasket (China Built Machines S/N B300000100 to Present)	
	3790045			
	3960526			
	3960526			
10 to 11	Not Used			
12	4891800	4	Flatwasher 1/2in Hardened	
13	4740393	12	Flatwasher 5/8in Hardened	
		Ref.	<b>PNEUMATIC &amp; FOAM-FILLED TIRE &amp; WHEEL INSTALLATIONS (8 FT/2.4M WIDTH MACHINES)</b>	
	4520328	Ref.	<b>Tire &amp; Wheel Installation - Pneumatic (ANSI &amp; ANSI Export Spec Only)</b>	B
	4520346	Ref.	<b>Tire &amp; Wheel Installation - Foam Filled (Available on All Specs)</b>	C
	0274533	Ref.	<b>Tire &amp; Wheel Installation - Pneumatic W/Sealant (ANSI &amp; ANSI Export Spec Only) (Only Available on USA Built Machines)</b>	C
	0274322	Ref.	<b>Tire &amp; Wheel Installation - Pneumatic Turf Tire (ANSI &amp; ANSI Export Spec Only) (Note: Not an Add-On Option - Special Axle Required. Only Available on USA Built Machines)</b>	1
		Ref.	<b>Note: Assemblies may require ballast/foam filling to manufacturer's specifications prior to installing on a machine. Refer to Operation &amp; Safety or Service &amp; Maintenance Manuals. Purchase individual tire and/or rim only if able to foam fill tire &amp; wheel assembly, otherwise, purchase complete assembly.</b>	

# SECTION 1 FRAME

**FIGURE 1-4. TIRE & WHEEL DRIVE INSTALLATIONS (CONTINUED)**

ITEM #	PART NUMBER	QTY.	DESCRIPTION	REV.
	4520289	2	Tire & Wheel Assembly - Pneumatic (Left Side)	E
	4520344	2	Tire & Wheel Assembly - Foam-Filled (Left Side)	E
	4520427	2	Tire & Wheel Assembly - Pneumatic W/Sealant (Left Side)	C
	4520290	2	Tire & Wheel Assembly - Pneumatic (Right Side)	E
	4520345	2	Tire & Wheel Assembly - Foam-Filled (Right Side)	E
	4520428	2	Tire & Wheel Assembly - Pneumatic W/Sealant (Right Side)	C
	4520357	4	Tire & Wheel Assembly - Pneumatic Turf Tire (Note: Not an Add-On Option - Special Axle Required)	B
101		A/R	Tire Options (1 Per Assembly):	
	4520288		Tire - IN355/55D625	
	4520356		Tire - 18 x 625 Turf Tire	
102		A/R	Rim, Wheel (1 Per Assembly)	
	4520287		Tire - IN355/55D625 (24.5 x 11.75)	
	4520355		Tire - 18 x 625 Turf Tire (24.5 x 15)	
103	4640113	A/R	Valve, Air (1 Per Assembly)	
104		A/R	Decal - Tire Pressure Options (1 Per Assembly):	
	1702740		Tire - IN355/55D625	
	1702137		Tire - 18 x 625 Turf Tire (USA Built Machines S/N 0300087000 to S/N 0300092172)	
	1706846		Tire - 18 x 625 Turf Tire (S/N 0300092172 to Present)	
		Ref.	<b>Note: Items 105-107 used with tires with sealant only.</b>	
105	1120552	A/R	Cap, Valve Stem (1 Per Assembly)	
106	1300019	120oz	Sealant, Tire (1 Per Assembly)	
107	1705364	A/R	Decal - Tire Sealant (1 Per Assembly)	
201		Ref.	<b>AIRBOSS TIRE &amp; WHEEL INSTALLATIONS (7FT/2.1M WIDTH 600A/600AJ MACHINES)</b>	
	4520341	Ref.	<b>Tire &amp; Wheel Installation - Air-Boss (Available on All Specs)</b>	A
	4520284	2	Tire and Wheel Assembly - Right Side	
	4520283	2	Tire and Wheel Assembly - Left Side	
	7016206	80	Tire Repair Section (20 Per Assembly)	
	4520604	Ref.	<b>Tire &amp; Wheel Installation - Air-Boss Non Marking (Available on All Specs)</b>	1
	4520602	2	Tire and Wheel Assembly - Right Side	
	4520601	2	Tire and Wheel Assembly - Left Side	
	7020135	80	Tire Repair Section (20 Per Assembly)	

## SECTION 1 FRAME

**FIGURE 1-4. TIRE & WHEEL DRIVE INSTALLATIONS (CONTINUED)**

ITEM #	PART NUMBER	QTY.	DESCRIPTION	REV.
301		Ref.	<b>SOLIDBOSS TIRE &amp; WHEEL INSTALLATIONS (7FT/2.1M WIDTH 600AJ MACHINES)</b>	
	1001147067	Ref.	<b>Tire &amp; Wheel Installation - SolidBoss (Available on ANSI Spec Only)</b>	A
	1001146828	2	Tire and Wheel Assembly - Right Side	
	1001146827	2	Tire and Wheel Assembly - Left Side	
	1001147068	Ref.	<b>Tire &amp; Wheel Installation - SolidBoss Non Marking (Available on ANSI Spec Only)</b>	1
	1001147020	2	Tire and Wheel Assembly - Right Side	
	1001147019	2	Tire and Wheel Assembly - Left Side	

# SECTION 1 FRAME

FIGURE 1-5. DRIVE HUB ASSEMBLY

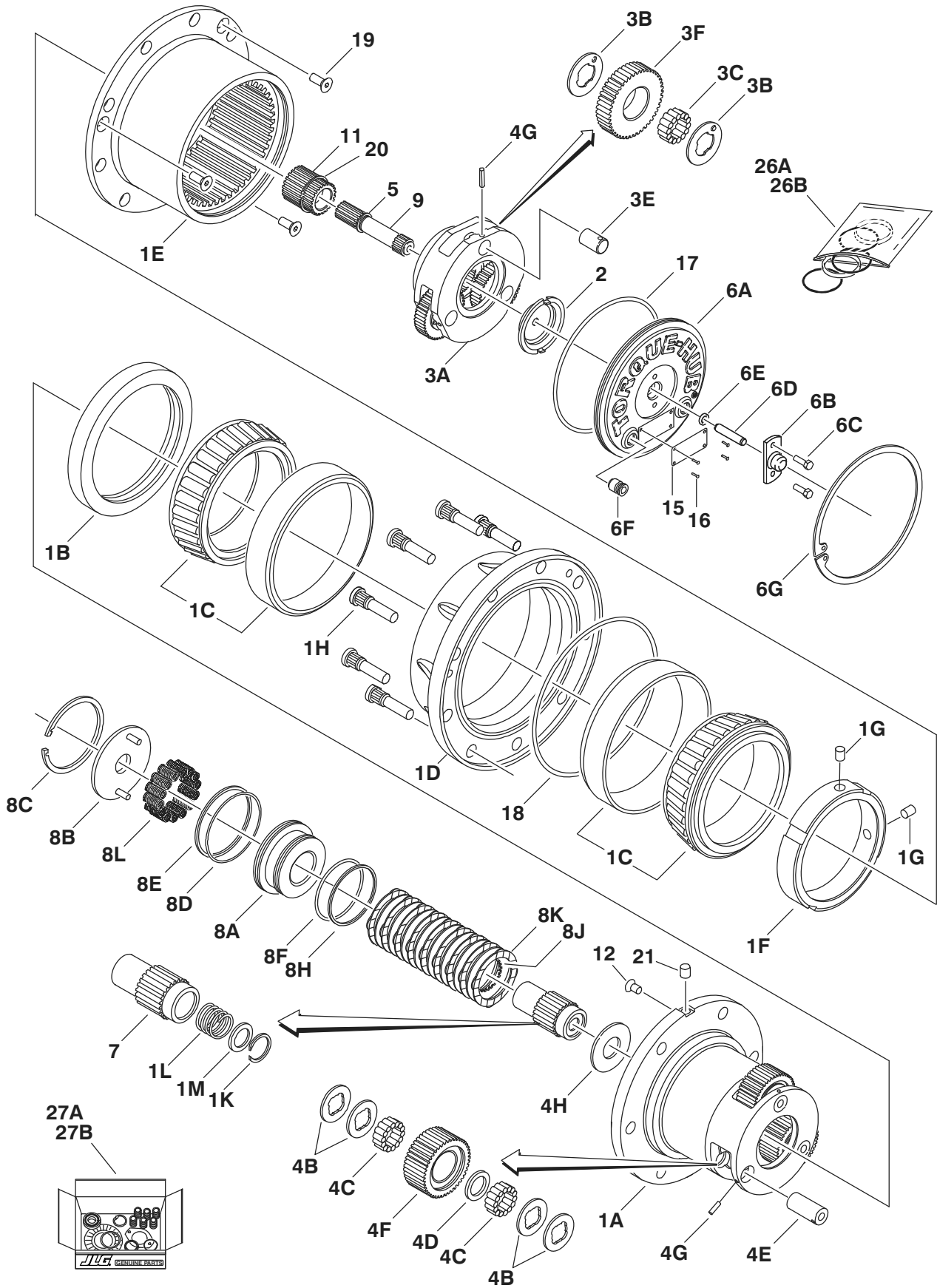


FIGURE 1-5. DRIVE HUB ASSEMBLY

ITEM #	PART NUMBER	QTY.	DESCRIPTION	REV.
	2780269	Ref.	<b>DRIVE HUB/BRAKE ASSEMBLY</b>	C
1	See Note	1	Spindle/Housing Assembly ( <b>Note: Not Available - Purchase Individual Components</b> )	
1A	7024729	1	Spindle	
1B	70001119	1	Seal, Lip	
1C	7024735	2	Bearing (Includes Cup and Cone)	
1D	Use 2780269	1	Housing ( <b>Note: Not Available for Purchase</b> )	
1E	7024730	1	Ring, Gear	
1F	Use 7024744	1	Nut, Bearing	
1G	See Note	2	Setscrew 1/4in-28NF x 1/2in ( <b>Note: Use Item 26A, 26B, 27A or 27B</b> )	
1H	7024732	9	Stud, Wheel	
1J	Not Used			
1K	7024125	1	Ring, Retaining	
1L	7024124	1	Spring	
1M	7024129	1	Thrustwasher	
2	7024741	1	Thrustwasher	
3	See Note	1	Carrier Assembly ( <b>Note: Not Available - Purchase Individual Components</b> )	
3A	7024725	1	Carrier	
3B	7024127	6	Thrustwasher	
3C	7024733	42	Bearing, Needle	
3D	Not Used			
3E	7024724	3	Shaft, Planet	
3F	7024727	3	Gear, Planet	
4	See Note	1	Planet Gear Sub-Assembly ( <b>Note: Not Available - Purchase Individual Components</b> )	
4A	Not Used	1		
4B	7024740	12	Thrustwasher	
4C	7024734	84	Bearing, Needle	
4D	7024736	3	Spacer, Thrust	
4E	7024726	3	Shaft, Planet	
4F	7024728	3	Gear, Planet	
4G	7001913	6	Rollpin	
4H	7024742	1	Thrustwasher	
5	7017027	1	Ring, Retaining	
6	See Note	1	Cover Assembly ( <b>Note: Not Available - Purchase Individual Components</b> )	
6A	7024731	1	Plate, Cover	
6B	7017093	1	Cap, Disengage	
6C	7000216	2	Bolt 1/2in-20NC x 1/2in	
6D	7024739	1	Pin, Dowel	
6E	7017095	1	O-Ring	
6F	7017072	2	Plug, Pipe with O-Ring	
6G	7024738	1	Ring, Retaining	
7	7024722	1	Coupling	
8	See Note	1	Brake, Input ( <b>Note: Not Available - Purchase Individual Components</b> )	
8A	70000782	1	Piston, Brake	



# SECTION 1 FRAME

**FIGURE 1-5. DRIVE HUB ASSEMBLY (CONTINUED)**

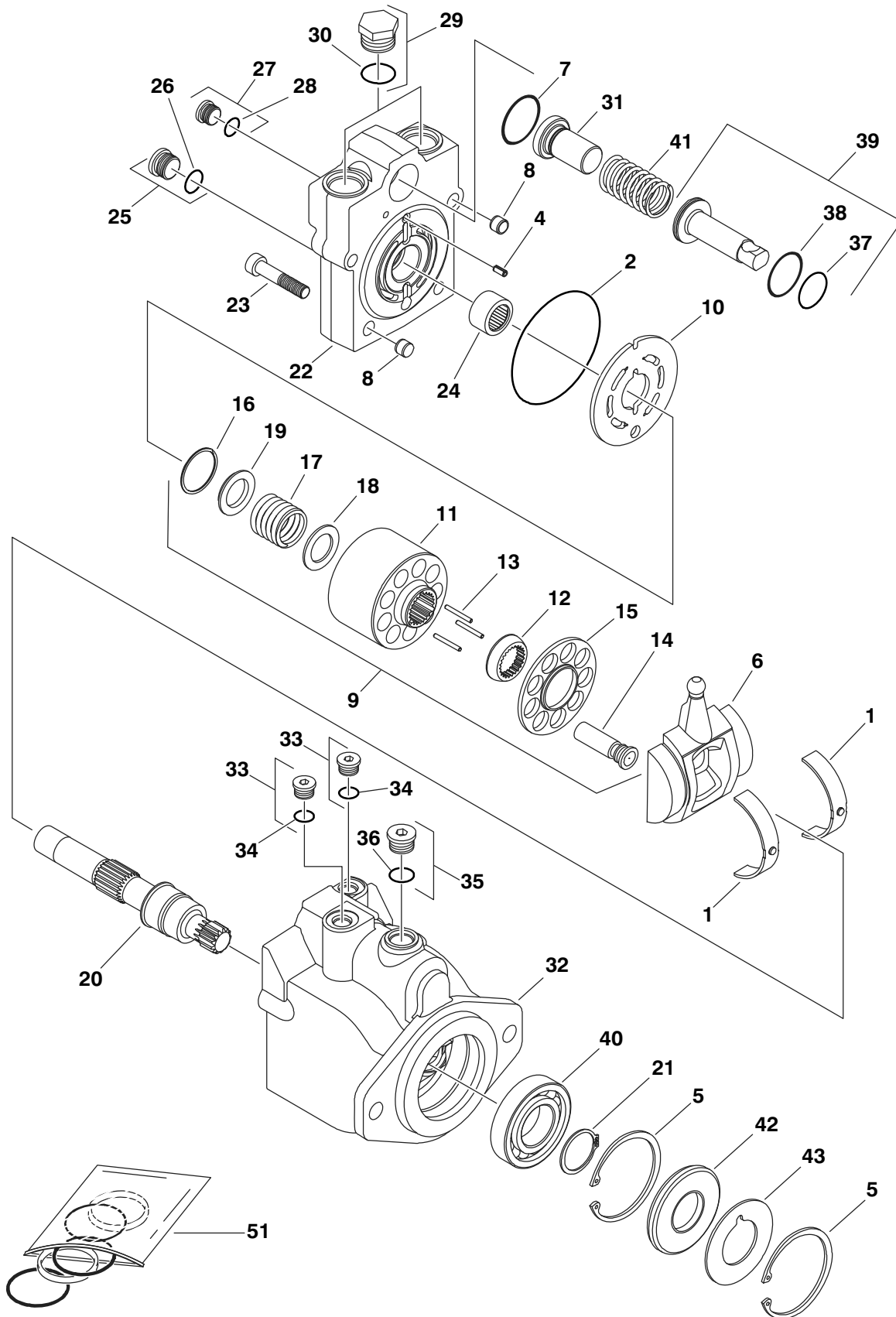
ITEM #	PART NUMBER	QTY.	DESCRIPTION	REV.
8B	7024743	1	Plate, Pressure	
8C	See Note	1	Ring, Retaining <b>(Note: Use Item 26B, 27A or 27B)</b>	
8D	See Note	1	O-Ring <b>(Note: Use Item 26B or 27A)</b>	
8E	See Note	1	Ring, Back-up <b>(Note: Use Item 26B or 27A)</b>	
8F	See Note	1	O-Ring <b>(Note: Use Item 26B or 27A)</b>	
8G	Not Used			
8H	See Note	1	Ring, Back-up <b>(Note: Use Item 26B or 27A)</b>	
8J	Use 7024764	8	Rotor, Brake	
8K	Use 7024764	9	Stator, Brake	
8L	Use 7024766	A/R	Spring, Brake	
9	7024721	1	Shaft, Input	
10	Not Used			
11	7024723	1	Gear, Sun	
12	See Note	1	Plug <b>(Note: Not Available for Purchase)</b>	
13 to 14	Not Used			
15	See Note	1	Plate, ID (Not Shown) <b>(Note: Not Available for Purchase)</b>	
16	7000281	4	Screw, Drive	
17	7024134	1	O-Ring	
18	Use 7024744	1	O-Ring	
19	7017022	3	Screw, Countersunk 3/8in-16NC	
20	7024737	1	Ring, Retaining	
21	See Note	1	Plug <b>(Note: Not Available for Purchase)</b>	
22 to 25	Not Used			
26			Seal Kit Options:	
26A	7024744	1	Hub Seal Kit (Includes Items 1B, 1F, 1G, 17, 18 & 19)	
26B	7024765	1	Brake Seal Kit (Includes Items 1G,8C,8D,8E,8F & 8H)	
27			Repair Kit Options:	
27A	7024764	1	Brake Lining Kit (Includes Items 1G,8C,8D,8E,8F,8H,8J & 8K)	
27B	7024766	1	Brake Spring Kit (Includes Items 1G,8C & 8L)	

**FIGURE 1-5. DRIVE HUB ASSEMBLY (CONTINUED)**

ITEM #	PART NUMBER	QTY.	DESCRIPTION	REV.

# SECTION 1 FRAME

FIGURE 1-6. DRIVE MOTOR ASSEMBLY (USA BUILT MACHINES S/N 0300087000 TO S/N 0300098766) (ORIGINAL EQUIPMENT)



## SECTION 1 FRAME

**FIGURE 1-6. DRIVE MOTOR ASSEMBLY (USA BUILT MACHINES S/N 0300087000 TO S/N 0300098766) (ORIGINAL EQUIPMENT)**

ITEM #	PART NUMBER	QTY.	DESCRIPTION	REV.
		Ref.	<b>DRIVE MOTOR ASSEMBLY (ORIGINAL EQUIPMENT)</b>	
	3160299	Ref.	<b>2WD</b>	E
	3160300	Ref.	<b>4WD</b>	E
		Ref.	<b>Note: Original Equipment Motor p/n 3160299 &amp; p/n 3160300 uses 4 bolts to assemble the motor. Service Replacement Motor p/n 3160349 &amp; p/n 3160350 motors use 5 bolts to assemble the motor. Visually identify component before ordering parts. If equipped with 3160349 or 3160350 refer to next illustration.</b>	
1	7022302	2	Bearing, Journal	
2	Use 7022328	1	O-Ring	
3	Use Item 51	1	O-Ring	
4	7007446	1	Pin	
5	7007438	2	Ring, Retaining	
6	7024861	1	Swashplate	
7	Use 7022328	1	O-Ring	
8	7007435	2	Pin	
9	7022320	1	Cylinder Block Kit (Includes Items 11-19)	
10	7024862	1	Plate, Valve	
11	7024863	1	Block, Cylinder	
12	7024864	1	Guide, Slipper Retainer	
13	7021275	3	Pin, Slipper Hold Down	
14	7024865	9	Piston Assembly	
15	7024866	1	Retainer, Slipper	
16	7022311	1	Ring, Retaining	
17	7024867	1	Spring	
18	7024868	1	Washer	
19	7022314	1	Retainer, Spring	
20	7023910	1	Shaft	
21	7007439	1	Ring, Retaining	
22	7024869	1	Cap, End - Axial	
23	7022368	4	Screw Options:	
24	7021249	1	Bearing, Needle	
25	7022321	1	Plug (Includes Item 26)	
26	Use 7022328	1	O-Ring	
27	7022318	1	Plug (Includes Item 28)	
28	Use 7022328	1	O-Ring	
29	7027419	2	Plug (Includes Item 30)	
30	Use 7022328	2	O-Ring	
31		1	Seat, Spring Options:	
	7024853		2WD/2WS	
	7022372		2WD/4WS, 4WD/2WS & 4WD/4WS	
32	7022370	1	Housing	
33	7022318	2	Plug (Items Item 34)	
34	Use 7022328	2	O-Ring	
35	7022321	1	Plug (Items Item 36)	
36	Use 7022328	1	O-Ring	
37	Use 7022328	1	O-Ring	

## SECTION 1 FRAME

**FIGURE 1-6. DRIVE MOTOR ASSEMBLY (USA BUILT MACHINES S/N 0300087000 TO S/N 0300098766) (ORIGINAL EQUIPMENT) (CONTINUED)**

ITEM #	PART NUMBER	QTY.	DESCRIPTION	REV.
38	Use 7022328	1	Ring, Seal	
39	7024871	1	Piston, Servo	
40	7007437	1	Bearing	
41	7022326	1	Spring	
42	Use 7022328	1	Seal, Lip	
43	7022371	1	Washer, Support	
44 to 50	Not Used			
51	7022328	1	Seal Kit (Includes Items 2,3,7,26,28,30,34,36,37,38 and 42)	

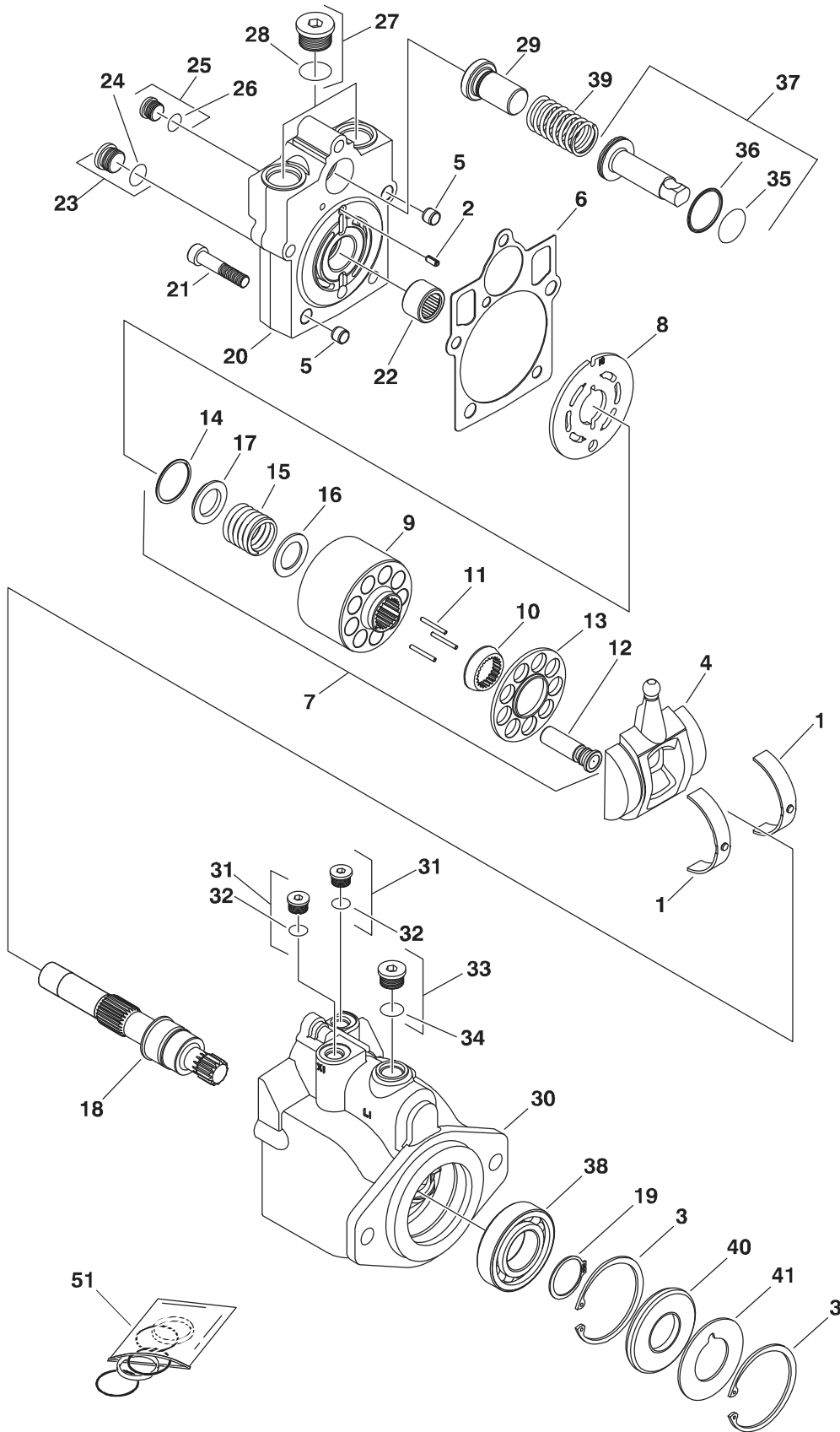
**SECTION 1 FRAME**

**FIGURE 1-6. DRIVE MOTOR ASSEMBLY (USA BUILT MACHINES S/N 0300087000 TO S/N 0300098766) (ORIGINAL EQUIPMENT) (CONTINUED)**

ITEM #	PART NUMBER	QTY.	DESCRIPTION	REV.

# SECTION 1 FRAME

FIGURE 1-7. DRIVE MOTOR ASSEMBLY (USA BUILT MACHINES S/N 98766 TO PRESENT & CHINA BUILT MACHINES S/N B300000100 TO PRESENT) (SERVICE REPLACEMENT)



## SECTION 1 FRAME

**FIGURE 1-7. DRIVE MOTOR ASSEMBLY (USA BUILT MACHINES S/N 98766 TO PRESENT & CHINA BUILT MACHINES S/N B300000100 TO PRESENT) (SERVICE REPLACEMENT)**

ITEM #	PART NUMBER	QTY.	DESCRIPTION	REV.
		Ref.	<b>DRIVE MOTOR ASSEMBLY (SERVICE REPLACEMENT)</b>	
	3160349	Ref.	<b>2WD (Service Replacement Motor for p/n 3160299)</b>	B
	3160350	Ref.	<b>4WD (Service Replacement Motor for p/n 3160300)</b>	B
1	7022302	2	Bearing, Journal	
2	7007446	1	Pin	
3	7007438	2	Ring, Retaining	
4	70000794	1	Swashplate	
5	See Note	2	Pin <b>(Note: Not Available for Purchase)</b>	
6	Use 7022328	1	Gasket	
7	7027740	1	Cylinder Block Kit (Includes Items 9-17)	
8	7024862	1	Plate, Valve	
9	Use 7027740	1	Block, Cylinder	
10	Use 7027740	1	Guide, Slipper Retainer	
11	7021275	3	Pin, Slipper Hold Down	
12	7024865	9	Piston Assembly	
13	Use 7027740	1	Retainer, Slipper	
14	7022311	1	Ring, Retaining	
15	7024867	1	Spring	
16	7022313	1	Washer	
17	7022314	1	Retainer, Spring	
18	7023910	1	Shaft	
19	7007439	1	Ring, Retaining	
20	70000795	1	Cap, End - Axial	
21	7022368	5	Screw	
22	7021249	1	Bearing, Needle	
23	2220886	1	Plug (Includes Item 24)	
24	Use 7022328	1	O-Ring	
25	2220883	1	Plug (Includes Item 26)	
26	Use 7022328	1	O-Ring	
27	7027419	2	Plug (Includes Item 28)	
28	Use 7022328	2	O-Ring	
29		1	Seat, Spring Options: 7024853 2WD/2WS 7022372 2WD/4WS, 4WD/2WS & 4WD/4WS	
30	See Note	1	Housing <b>(Note: Not Available - Purchase Complete Assy)</b>	
31	2220883	2	Plug (Items Item 32)	
32	Use 7022328	2	O-Ring	
33	2220886	1	Plug (Items Item 34)	
34	Use 7022328	1	O-Ring	
35	Use 7022328	1	O-Ring	
36	Use 7022328	1	Ring, Seal	
37	7024871	1	Piston, Servo	
38	7007437	1	Bearing	
39	7022326	1	Spring	
40	Use 7022328	1	Seal, Lip	
41	7022371	1	Washer, Support	
42 to 50	Not Used			
51	7022328	1	Seal Kit (Includes Items 6,24,26,28,32,34,35,36 and 40)	





## SECTION 1 FRAME

**FIGURE 1-8. DRIVE VALVES & SHIELDS INSTALLATION (FRAME MOUNTED)**

ITEM #	PART NUMBER	QTY.	DESCRIPTION	REV.
		Ref.	<b>DRIVE VALVES INSTALLATION</b>	
	0273049	Ref.	<b>2WD/2WS</b>	I
	0274441	Ref.	<b>2WD/4WS</b>	F
	0273048	Ref.	<b>4WD/2WS</b>	K
	0273366	Ref.	<b>4WD/4WS</b>	I
1	Not Used			
2		A/R	Bolt 5/16in-18NC Options:	
	0641532	2	4in Length (2WD)	
	0641552	3	6-1/2in Length (4WD)	
3 to 7	Not Used			
8	3311505	A/R	Locknut 5/16in-18NC	
9	Not Used			
10		1	Flow Divider Valve Assembly Options:	
10A	Use 1001100120		2WD (See Items 101-104 for Breakdown) (was p/n 4641409)	
10B	Use 1001098503		4WD (See Items 201-205 for Breakdown) (was p/n 4641410)	
		Ref.	<b>Note: Original Equipment Valve may have been replaced with Service Replacement Valve. Identify p/n stamped on valve before ordering parts.</b>	
11	4711500	A/R	Flatwasher 5/16in Thin	
12 to 13	Not Used			
14		A/R	Bar, Clamping	
	Not Required	0	2WD/2WS	
	0363012	2	2WD/2WS, 4WD/2WS & 4WD/4WS	
15	0641618	4	Bolt 3/8in-16NC x 2-1/4in	
16	3340911	4	Rubber, Clamp	
17	4751600	A/R	Flatwasher 3/8in Regular	
18	0641611	1	Bolt 3/8in-16NC x 2 3/8in	
19	3271601	1	Nut 3/8in-16NC (Grade 8)	
20	4240084	1	Strap, Anti-Static (2WD/4WS USA Built Machines S/N 0300137895 to Present Only)	
21	4791600	1	Starwasher 3/8in	
		Ref.	<b>FLOW DIVIDER ASSEMBLY (2WD)</b>	
	4641409	Ref.	<b>USA Built Machines S/N 0300087000 to S/N 0300140864</b>	B
	1001100120	Ref.	<b>USA Built Machines S/N 0300140864 to Present</b>	A
101	7023933	1	Valve, Cartridge (Flow Divider)	
	7021625	1	Seal Kit - Flow Divider Cartridge	
	70000781	1	Locking Kit	
102	7024892	1	Valve, Cartridge (Check)	
	7023936	1	Seal Kit - Check Cartridge	
103	7022397	2	Valve, Cartridge (Check)	
	7022399	2	Seal Kit - Check Cartridge	
104	7023935	1	Valve, Cartridge (Check)	
	7023936	1	Seal Kit - Check Cartridge	

# SECTION 1 FRAME

**FIGURE 1-8. DRIVE VALVES & SHIELDS INSTALLATION (FRAME MOUNTED) (CONTINUED)**

ITEM #	PART NUMBER	QTY.	DESCRIPTION	REV.
		Ref.	<b>FLOW DIVIDER ASSEMBLIES (4WD)</b>	
	4641410	Ref.	<b>USA Built Machines Prior to S/N 0300142849</b>	B
	1001098503	Ref.	<b>USA Built Machines S/N 0300142849 to Present</b>	A
	1001098503	Ref.	<b>China Built Machines S/N B300000100 to Present</b>	A
201	7023933	1	Valve, Cartridge (Flow Divider)	
	7021625	1	Seal Kit - Flow Divider Cartridge	
202		6	Valve, Cartridge (Check) Options:	
	7022397		Valve p/n 4641410	
	7022399	6	Seal Kit - Check Cartridge	
	70003408		Valve p/n 1001098503	
	7022399	6	Seal Kit - Check Cartridge	
203	7023935	1	Valve, Cartridge (Check)	
	7023936	1	Seal Kit - Check Cartridge	
204	7024892	1	Valve, Cartridge (Check)	
	7023936	1	Seal Kit - Check Cartridge	
205	7023917	2	Valve, Cartridge (Flow Divider)	
	7021625	2	Seal Kit - Flow Divider Cartridge	
206	70002063	1	Plug, Orifice	
207	70002064	2	Plug, Orifice	
		Ref.	<b>FRAME SHIELDS INSTALLATION</b>	
			<b>USA Built Machines</b>	
	0274349	Ref.	<b>2WD/2WS</b>	A
	0274229	Ref.	<b>2WD/4WS (n600A/AJ Only)</b>	C
	0274349	Ref.	<b>4WD/2WS</b>	A
	0274348	Ref.	<b>4WD/4WS</b>	D
			<b>China Built Machines</b>	
	0274349	Ref.	<b>2WD/2WS</b>	A
	0274348	Ref.	<b>4WD/4WS</b>	D
301	0641608	A/R	Bolt, 3/8in-16NC x 7/8in	
302		1	Shield, Frame - Front Options:	
302A			Machines with 8ft/2.4m Wide Frames	
	3380557		USA Built Machines (S/N 030087000 to S/N 0300175048)	
	3380557		China Built Machines	
302B			Machines with 7ft/2.1m Wide Frames	
	3380560		USA Built Machines	
	Not Required		China Built Machines	
303		A/R	Shield, Frame - Rear Options:	
	3380557		USA Built Machines	
	Not Required	0	2WS Machines with 8ft/2.4m Wide Frames	
	3380573	1	4WS Machines with 8ft/2.4m Wide Frames (S/N 0300087000 to S/N 0300101765)	
	3380558	1	4WS Machines with 8ft/2.4m Wide Frames (S/N 0300101765 to Present)	
	3380558	1	Machines with 7ft/2.1m Wide Frames	

## SECTION 1 FRAME

**FIGURE 1-8. DRIVE VALVES & SHIELDS INSTALLATION (FRAME MOUNTED) (CONTINUED)**

ITEM #	PART NUMBER	QTY.	DESCRIPTION	REV.
303 Cont'd	3380557 3380558	1	China Built Machines 4WS Machines with 8ft/2.4m Wide Frames (S/N B300000100 to Present)	
304	4751600	A/R	Flatwasher 3/8in Regular	

# SECTION 1 FRAME

## FIGURE 1-9. TOW PACKAGE INSTALLATION (OPTIONAL)

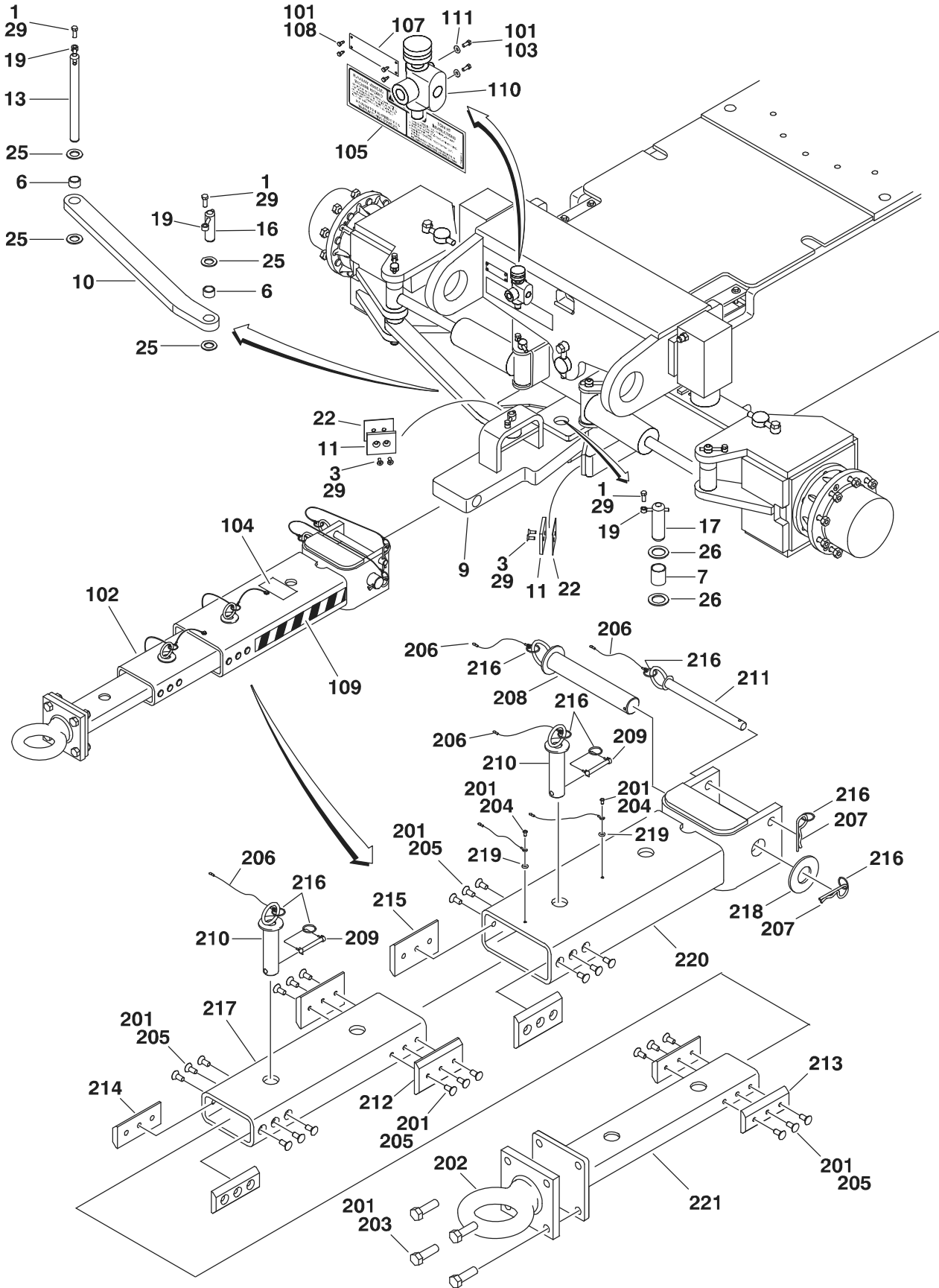


FIGURE 1-9. TOW PACKAGE INSTALLATION (OPTIONAL)

ITEM #	PART NUMBER	QTY.	DESCRIPTION	REV.
		Ref.	<b>NOTE: ONLY AVAILABLE ON USA BUILT MACHINES.</b>	
		Ref.	<b>TOW INSTALLATIONS</b>	
	0274257	Ref.	<b>7FT/2.1M Width Machines</b>	B
	0274220	Ref.	<b>8FT/2.4M Width Machines</b>	B
	0274801	Ref.	<b>8FT/2.4M Width Machines (2WD) (USA Built Machines S/N 0300087035 to Present)</b>	A
1	0641608	3	Bolt 3/8in-16NC x 1in	
2	Not Used			
3	0741607	A/R	Bolt 3/8in-16NC x 1in	
4 to 5	Not Used			
6	0962292	2	Bushing	
7	0962348	1	Bushing	
8	Not Used			
9	2980125	1	Pivot	
10		1	Link, Tow Options:	
	2575716		7FT/2.1M Width Machines	
	3010141		8FT/2.4M Width Machines	
11	3340966	4	Pad, Stop	
12	Not Used			
13	3422327	1	Pin	
14 to 15	Not Used			
16	3422813	1	Pin	
17	3422848	1	Pin	
18	Not Used			
19	3841143	3	Keeper, Pin	
20 to 21	Not Used			
22	4071059	2	Shim	
23 to 24	Not Used			
25		A/R	Thrustwasher Options:	
	4740184	1	7FT/2.1M Width Machines	
	4740111	2	8FT/2.4M Width Machines	
26	4740155	2	Thrustwasher	
27 to 28	Not Used			
29	0100011	A/R	Compound, Locking	
		Ref.	<b>TOW BAR INSTALLATIONS</b>	
	0274235	Ref.	<b>All Specs Except CSA</b>	B
	0274687	Ref.	<b>CSA Spec</b>	A
101	0100011	A/R	Compound, Locking	
102	0270528	1	Bar Assembly (See Items 201-221 for Breakdown)	
103	0641516	2	Bolt 5/16in-18NC x 2in	
104		2	Decal - Crushing Options:	
	1704578		All Specs Except CSA	
	1706593		CSA Spec	

# SECTION 1 FRAME

**FIGURE 1-9. TOW PACKAGE INSTALLATION (OPTIONAL) (CONTINUED)**

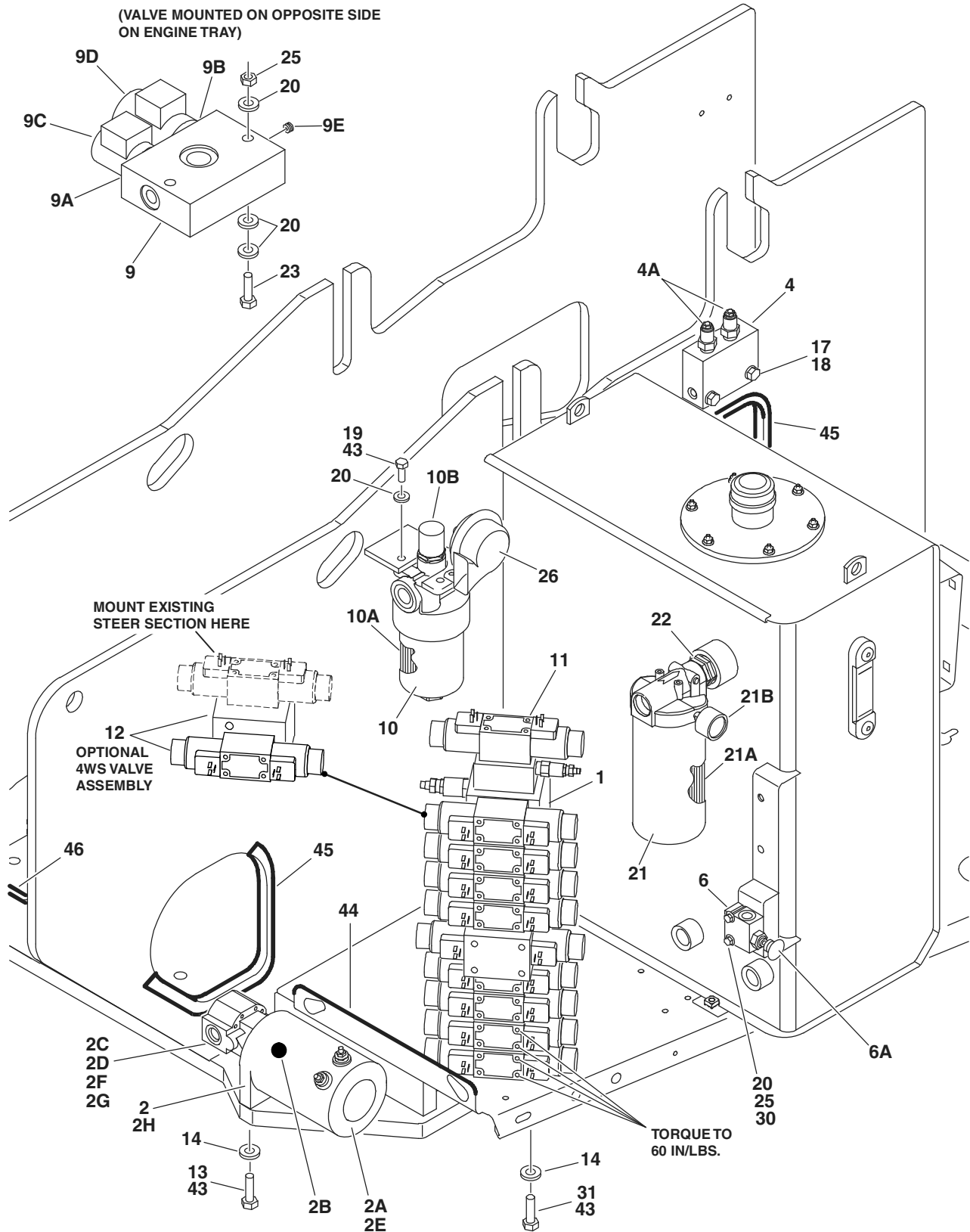
ITEM #	PART NUMBER	QTY.	DESCRIPTION	REV.
105	1705090 1705820	1	Decal - Towing Instructions Options: All Specs Except CSA CSA Spec	
106	Not Used			
107	3250872 1704272	1 1	Nameplate, Steer/Tow Select Valve Options: All Specs Except CSA CSA Spec	
108	3940604	4	Screw, Self-Tapping #6-32NF x 1/2in	
109	4420051	A/R	Tape, Safety	
110	4640261	1	Valve, Float Position	
111	4751500	2	Flatwasher 5/16in Regular	
	0270528	Ref.	<b>TOW BAR ASSEMBLY</b>	A
201	0100011	A/R	Compound, Locking	
202	0362910	1	Pintle, Draw Eye	
203	0642010	4	Bolt 5/8in-11NC x 1-1/4in	
204	0721004	2	Screw, Hex Machine	
205	0741607	24	Screw, Countersunk 3/8in-16NC x 7/8in	
206	1060584	6	Cable, Lanyard	
207	3420372	2	Pin, Cotter	
208	3420447	1	Pin, Towing	
209	3421565	2	Pin, Snap	
210	3422841	2	Pin	
211	3422847	1	Pin	
212	3572009	2	Plate, Slide Stop	
213	3572010	2	Plate, Slide Stop	
214	3572011	2	Plate, Slide Stop	
215	3572012	2	Plate, Slide Stop	
216	3760170	8	Ring, Split	
217	4568133	1	Tube, Tow Bar	
218	4740036	1	Flatwasher	
219	4751000	2	Flatwasher #10 Regular	
220	4846295	1	Tow Bar Attach Weldment	
221	4846296	1	Pintle Attach Weldment	

# **SECTION 2 TURNTABLE**



# SECTION 2 TURNTABLE

FIGURE 2-1. CONTROL VALVES INSTALLATIONS



## SECTION 2 TURNTABLE

### FIGURE 2-1. CONTROL VALVES INSTALLATIONS

ITEM #	PART NUMBER	QTY.	DESCRIPTION	REV.
		Ref.	<b>CONTROL VALVES INSTALLATIONS</b>	
	0274309	Ref.	<b>600A 2WS</b>	4
	0274311	Ref.	<b>600A 4WS</b>	4
	0274310	Ref.	<b>600AJ 2WS</b>	4
	0274312	Ref.	<b>600AJ 4WS</b>	4
1		1	Main Valve Block Assembly Options (See Figure 2-2 for Breakdown):	
	Use 4641452	1	USA Built Machines S/N 0300087000 to S/N 0300092881(was p/n 4641097)	
	4641452	1	USA Built Machines S/N 0300092881 to Present	
	4641452	1	China Built Machines S/N B300000100 to Present	
2	3600365	1	Auxiliary Pump Assembly	B
2A	Use 7004290	1	Replacement Motor with Endhead Item 2H (Was p/n 7011067)	
	7004248	1	Replacement Motor without Endhead Item 2H	
	7011065	1	Brush Kit - 7011067 Motor	
2B	7011063	1	Coupling	
2C	7011064	1	Replacement Pump	
	7011066	1	Seal Kit - 7011064 Pump	
	Use 7004290	1	Relief Valve ( <b>Note: Not Available - Replace Complete Pump</b> )	
2D	7011043	4	Bolt (Mounts Pump to Mounting Bracket)	
2E	See Note	2	Bolt (Motor to Bracket) ( <b>Note: Not Available for Purchase</b> )	
2F	7011044	1	Gasket	
2G	7011048	4	Lockwasher	
2H	7011062	4	Endhead, Motor	
3	Not Used			
4	4640908	1	Counterbalance Valve Assy (USA Built Machines S/N 0300087000 to S/N 0300137453 Only)	B
4A	7011328	2	Cartridge, Counterbalance	
	2900770	2	Seal Kit - 7011328 Cartridge	
5	Not Used			
6	4640866	1	Manual Pull Valve Assembly	
	2900708	1	Seal Kit - 4640866 Valve	
6A	7012959	1	Knob	
7 to 8	Not Used			
9		1	Brake Valve Assembly Options:	
	Use 1001099391		USA Built Machines S/N 0300087000 to S/N 0300139756 (was p/n 4641108)	
	1001099391		USA Built Machines S/N 0300139756 to Present	
	1001099391		China Built Machines S/N B300000100 to Present	
9A	7012941	1	Cartridge Without Coil	
	7010543		Seal Kit - 7012941 Cartridge	
9B	7012995	1	Cartridge Without Coil	
	7012518	1	Seal Kit - 7012995 Cartridge	
9C	7012944	1	Coil	
9D	7012943	1	Coil	
9E	70002209	1	Orifice (1001099391 Valve Only)	

## SECTION 2 TURNTABLE

**FIGURE 2-1. CONTROL VALVES INSTALLATIONS (CONTINUED)**

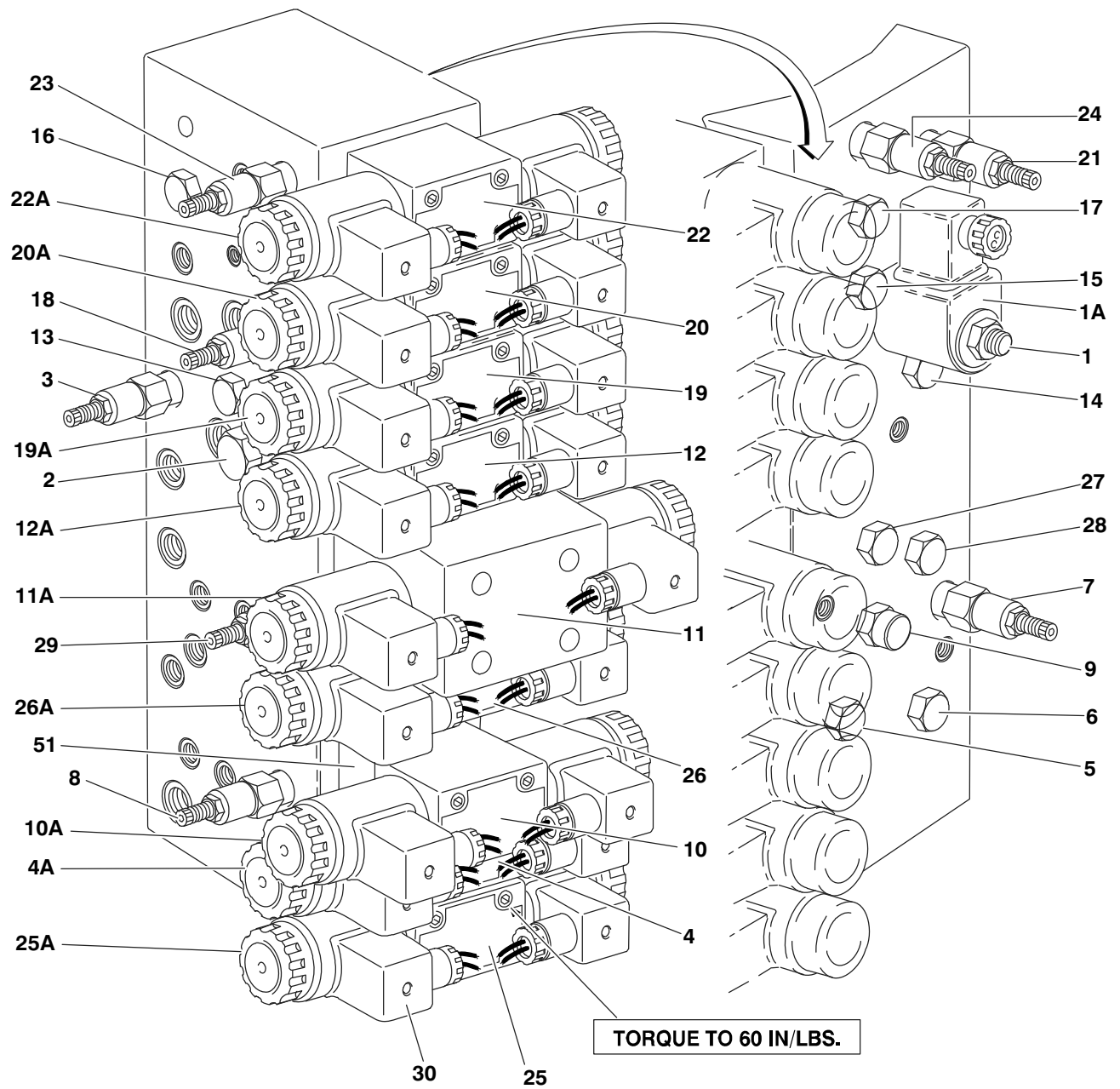
ITEM #	PART NUMBER	QTY.	DESCRIPTION	REV.
10	2120209	1	Hydraulic Pressure Filter Assembly	
10A	2120210	1	Element, Filter	
10B	7020020	1	Manual Indicator	
10C	70000934	1	O-Ring, Filter Bowl (Not Shown)	
11		1	Articulating Jib Valve Kit (See Figure 2-3 for Breakdown) Options: 600A 600AJ Harness, Articulating Jib (Not Shown - See Section 7 for Breakdown)	
12	Not Required 4640921 4921927	1	4WS Valve Assembly (See Figure 2-3 for Breakdown) Options: 2WS 4WS Harness, 4WS (Not Shown - See Section 7 for Breakdown)	
13	0641613	2	Bolt 3/8in-16NC x 1-5/8in	
14	4711600	5	Flatwasher 3/8in Thin	
15 to 16	Not Used			
17	4711500	A/R	Flatwasher 5/16in Thin	
18	0641514	A/R	Bolt 5/16in-18NC x 1-3/4in	
19	0651406	3	Bolt 1/4in-28NF x 3/4in	
20	4711400	19	Flatwasher 1/4in Thin	
21	2120164	1	Return Filter Assembly	B
21A	2120149	1	Element, Filter	
21B	7020021	1	Manual Indicator	
22	2220893	1	Fitting, Adaptor	
23	0641416	2	Bolt 1/4in-20NC x 2in	
24	Not Used			
25	3311405	6	Locknut 1/4in x 20NC	
26	0140001	1	Horn	
27 to 30	Not Used			
30	0641414	2	Bolt 1/4in-20NC x 1-3/4in	
31	0641608	3	Bolt 3/8in-16NC x 1in	
32 to 42	Not Used			
43	0100011	A/R	Compound, Locking	
44	4060804	16in/40cm	Trim-Loc 3/16in	
45	4060918	79in/1.9m	Trim-Loc 5/8in	
46	4060807	18in/46cm	Trim-Loc 3/8in	

**FIGURE 2-1. CONTROL VALVES INSTALLATIONS (CONTINUED)**

ITEM #	PART NUMBER	QTY.	DESCRIPTION	REV.

# SECTION 2 TURNTABLE

## FIGURE 2-2. MAIN VALVE BLOCK ASSEMBLY



**SECTION 2 TURNTABLE**

**FIGURE 2-2. MAIN VALVE BLOCK ASSEMBLY**

ITEM #	PART NUMBER	QTY.	DESCRIPTION	REV.
		Ref.	<b>MAIN VALVE BLOCK ASSEMBLIES</b>	
	4641097	Ref.	<b>USA Built Machines S/N 0300087000 to S/N 0300092881</b>	B
	4641452	Ref.	<b>USA Built Machines S/N 0300092881 to Present</b>	C
	4641452	Ref.	<b>China Built Machines S/N B300000100 to Present</b>	C
1	7017410	1	Cartridge, Without Coil	
	7012967	1	Seal Kit - 7017410 Cartridge	
1A	7012944	1	Coil	
2		1	Cartridge, Pressure Sensing Options:	
	7017411		Valve p/n 4641097	
	7012518	1	Seal Kit -7017411 Cartridge	
	7017464		Valve p/n 4641452	
	7012518	1	Seal Kit -7017464 Cartridge	
3	7017418	1	Cartridge (Main Relief)	
	7012998	1	Seal Kit	
4	7018941	2	Orifice, 1.2mm (Located under Control Valve Assembly)	
	Use 70001976	1	Control Valve Assembly (Platform Level) (was p/n 7012770)	
	7012773	1	Seal Kit	
4A	7012772	2	Coil	
	7021375	2	Nut	
5	7012914	1	Cartridge, Check Valve	
	7012918	1	Seal Kit - 7012914 Cartridge	
6	7012914	1	Cartridge, Check Valve	
	7012918	1	Seal Kit - 7012914 Cartridge	
7	7017427	1	Cartridge, Relief Valve (Platform Level Backward Relief)	
	7012998	1	Seal Kit - 7017427 Cartridge	
8	7017428	1	Cartridge, Relief Valve (Platform Level Forward Relief)	
	7012998	1	Seal Kit - 7017428 Cartridge	
9	7012989	1	Cartridge, Flow Control	
	7012953	1	Seal Kit - 7012989 Cartridge	
10	Use 70001976	1	Control Valve Assembly (Platform Rotate) (was p/n 7012770)	
	7012773	1	Seal Kit	
10A	7012772	2	Coil	
	7018912	2	Nut	
11		1	Control Valve Assembly Options (Upper Tele):	
	Use 70000579		USA Built Machines S/N 0300087000 to S/N 0300092881 (Was p/n 7012766)	
	70000579		USA Built Machines S/N 0300092881 to Present	
	70000579		China Built Machines S/N B300000100 to Present	
		Ref.	<b>Note: Refer to Vendor P/N on Valve Nameplate before ordering Parts. 7012766 is RR00567495 or R900567495. 70000579 is R900930080.</b>	
		1	Seal Kit Options:	
	7012769		7012766 Valve	
	70000583		70000579 Valve	

## SECTION 2 TURNTABLE

**FIGURE 2-2. MAIN VALVE BLOCK ASSEMBLY (CONTINUED)**

ITEM #	PART NUMBER	QTY.	DESCRIPTION	REV.
11A	7012772	1	Coil Options: 7012766 Valve (Was p/n 7012768)	
	70000582		70000579 Valve	
	7018912	1	Nut, Coil Options: 7012766 Valve	
	70000580		70000579 Valve	
12	7012775	1	Control Valve Assembly (Flow Control)	
	7012773	1	Seal Kit	
12A	7012772	2	Coil	
	7018912	2	Nut	
13	7010542	1	Cartridge, Shuttle	
	7010543	1	Seal Kit - 7010542 Cartridge	
14	7010542	1	Cartridge, Shuttle	
	7010543	1	Seal Kit - 7010542 Cartridge	
15	7010542	1	Cartridge, Shuttle	
	7010543	1	Seal Kit - 7010542 Cartridge	
16	7010542	1	Cartridge, Shuttle	
	7010543	1	Seal Kit - 7010542 Cartridge	
17	7010542	1	Cartridge, Shuttle	
	7010543	1	Seal Kit - 7010542 Cartridge	
18		1	Cartridge, Relief Valve Valve p/n 4641097	
	7017420		Seal Kit - 7017420 Cartridge	
	7012998	1	Valve p/n 4641452	
	7012912	1	Seal Kit - 7012912 Cartridge	
19	7012775	1	Control Valve Assembly (Upper Lift)	
	7012773	1	Seal Kit	
	7012799	1	Lanyard Assembly (Not Shown)	
19A	7012772	2	Coil	
	7018912	2	Nut	
20	7012775	1	Control Valve Assembly (Swing)	
	7012773	1	Seal Kit	
20A	7012772	2	Coil	
	7018912	2	Nut	
21		1	Cartridge, Relief Valve (Swing Right/Left Relief) Valve p/n 4641097	
	7017423		Seal Kit - 7017423 Cartridge	
	7012998	1	Valve p/n 4641452	
	7012912	1	Seal Kit - 7012912 Cartridge	
22	7012774	1	Control Valve Assembly (Steer)	
	7012773	1	Seal Kit	
22A	7012772	2	Coil	
	7018912	2	Nut	
23	7017428	1	Cartridge, Relief Valve (Steer Left Relief)	
	7012998	1	Seal Kit - 7017428 Cartridge	
24	7017428	1	Cartridge, Relief Valve (Steer Right Relief)	
	7012998	1	Seal Kit - 7017428 Cartridge	

**SECTION 2 TURNTABLE**

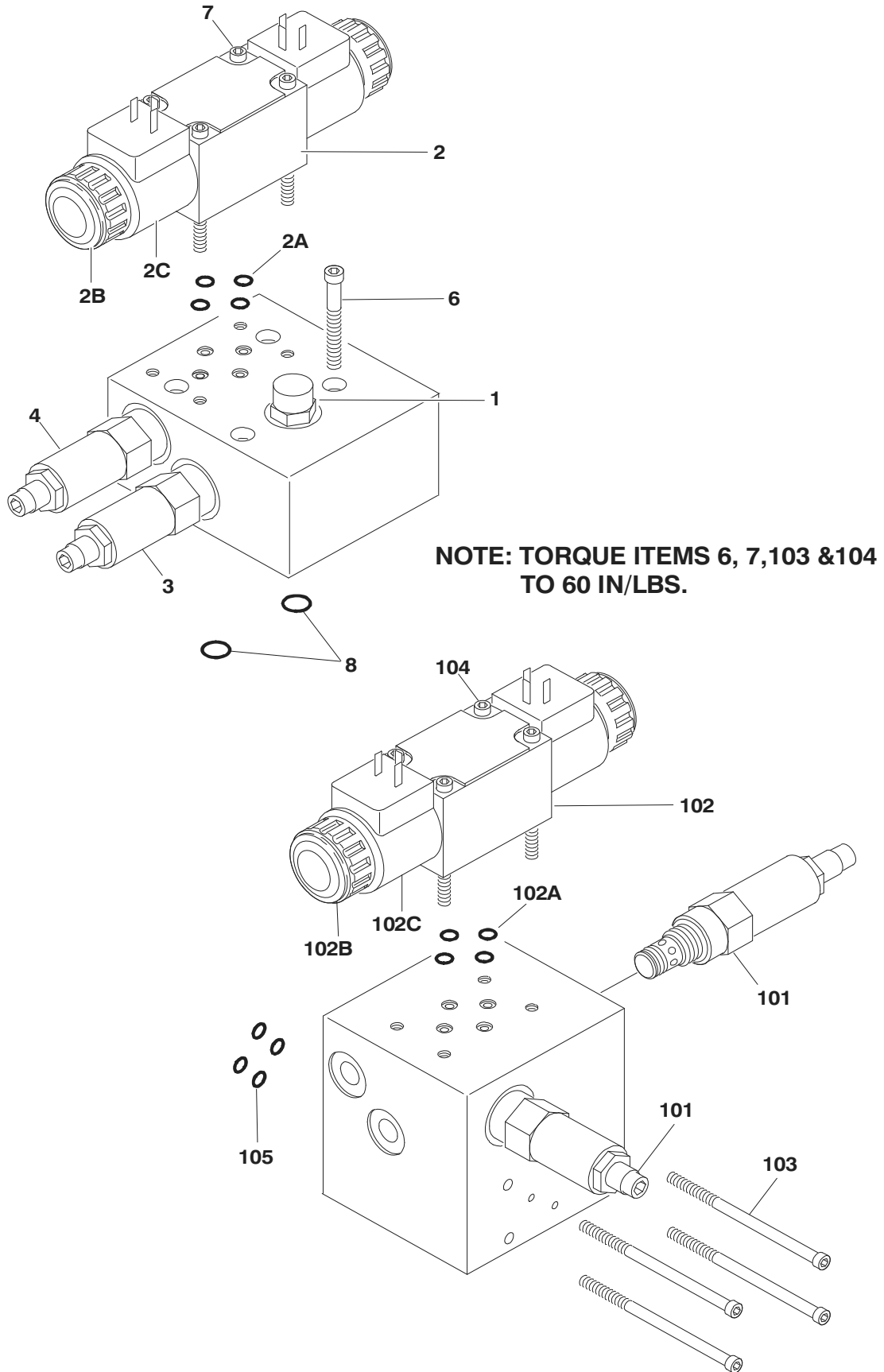
**FIGURE 2-2. MAIN VALVE BLOCK ASSEMBLY (CONTINUED)**

ITEM #	PART NUMBER	QTY.	DESCRIPTION	REV.
25	Use 70001976	1	Control Valve Assembly (Lower Tele) (was p/n 7012770)	
	7012773	1	Seal Kit	
25A	7012772	2	Coil	
	7021375	2	Nut	
26	7018952	1	Control Valve Assembly (Lower Lift)	
	7012769	1	Seal Kit - 7018952 Cartridge	
26A	7012772	2	Coil	
	7018912	2	Nut	
	7012799	1	Lanyard Cable Assembly	
27	7012969	1	Cartridge, Check	
	7012967	1	Seal Kit - 7012969 Cartridge	
28	7012914	1	Cartridge, Check	
	7012918	1	Seal Kit - 7012914 Cartridge	
29	Not Used			
30	4460499	19	Connector, Din with Diode (Part of Valve Harness)	
31 to 50	Not Used			
	2901763	1	Rotate Sandwich Valve Kit	A
51	7021310	1	Block, Valve	



## SECTION 2 TURNTABLE

FIGURE 2-3. ACCESSORY VALVE ASSEMBLIES



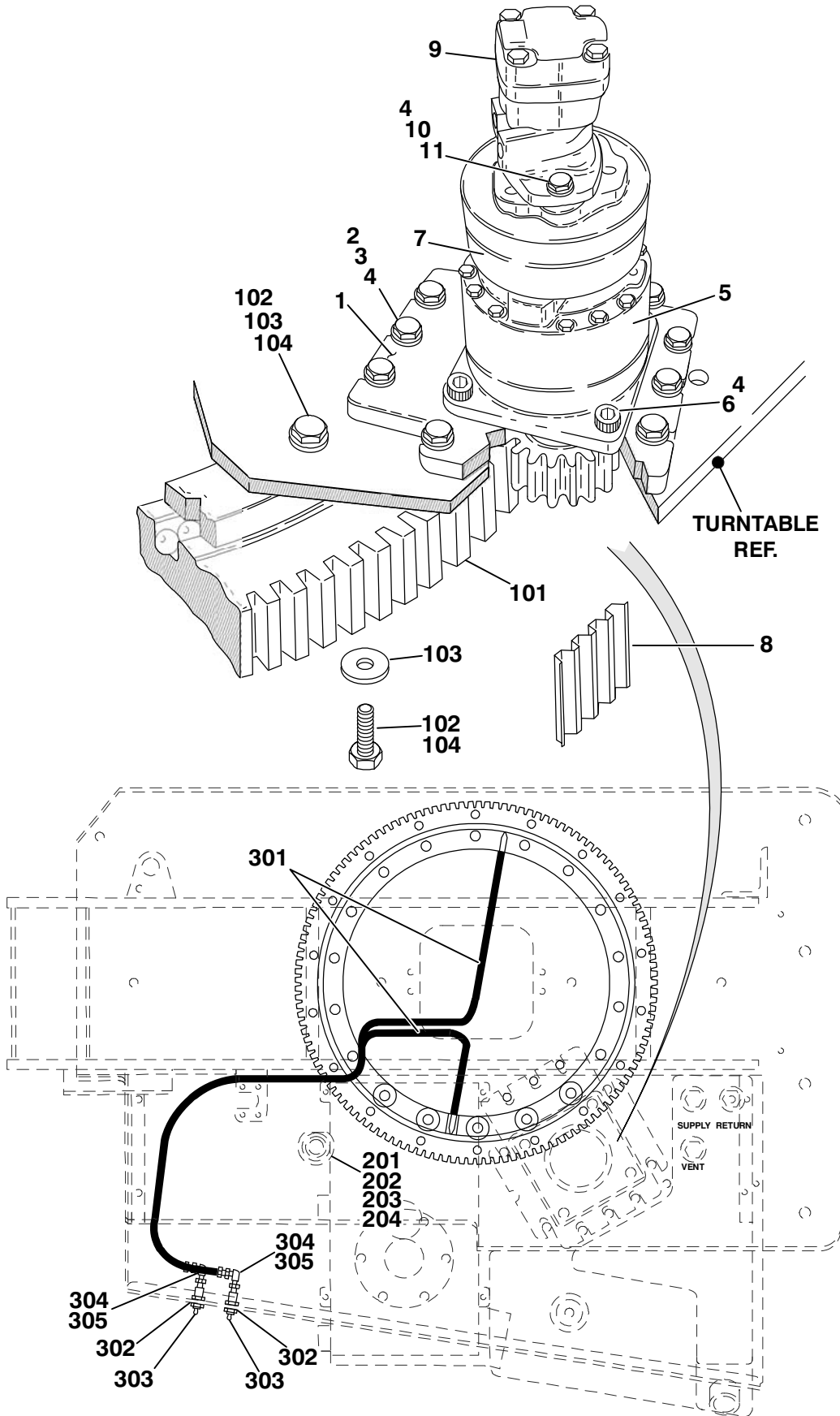
## SECTION 2 TURNTABLE

**FIGURE 2-3. ACCESSORY VALVE ASSEMBLIES**

ITEM #	PART NUMBER	QTY.	DESCRIPTION	REV.
	4640921	Ref.	<b>ARTICULATING JIB VALVE ASSEMBLY</b>	D
1	7012965	1	Cartridge, Flow Control	
	7012953	1	Seal Kit - 7012965 Cartridge	
2	Use 70001976	1	Directional Control Valve Assembly (was p/n 7012770)	
	7012773	1	Seal Kit	
2A	7018945	4	O-Ring	
2B	7018912	2	Nut	
2C	7012772	2	Coil	
3	7017421	1	Cartridge, Relief	
	7012998	1	Seal Kit - 7017421 Cartridge	
4	7017422	1	Cartridge, Relief	
	7012998	1	Seal Kit - 7017422 Cartridge	
5	4460499	2	Connector, DIN with Diode (Not Shown - Part of Valve Harness)	
6	7018946	4	Capscrew, Socket Head #10-24NC x 5in (Not Shown - Used to Mount Valve Assembly)	
7	7018942	4	Capscrew, Socket Head #10-24NC x 2in	
8	7012776	4	O-Ring (Not Shown - Used to Mount to Main Valve)	
	4640922	Ref.	<b>4WS VALVE ASSEMBLY</b>	B
101	7017420	2	Cartridge, Flow Control	
	7012998	2	Seal Kit - 7017420 Cartridge	
102	7012774	1	Directional Control Valve Assembly	
	7012773	1	Seal Kit	
102A	7018945	4	O-Ring	
102B	7018912	2	Nut	
102C	7012772	2	Coil	
103	7018946	4	Capscrew, Socket Head #10-24NC x 5in (Used to Mount Valve Assembly)	
104	7018942	4	Capscrew, Socket Head #10-24NC x 2in	
105	7018948	4	O-Ring (Used to Mount to Main Valve)	

# SECTION 2 TURNTABLE

FIGURE 2-4. SWING DRIVE, TURNTABLE BEARING & LOCK INSTALLATIONS



## SECTION 2 TURNTABLE

**FIGURE 2-4. SWING DRIVE, TURNTABLE BEARING & LOCK INSTALLATIONS**

ITEM #	PART NUMBER	QTY.	DESCRIPTION	REV.
		Ref.	<b>SWING DRIVE INSTALLATIONS</b>	
	0270329	Ref.	<b>USA Built Machines S/N 0300087000 to S/N 0300137453</b>	C
	1001094828	Ref.	<b>USA Built Machines S/N 0300137453 to Present</b>	B
	1001094828	Ref.	<b>China Built Machines S/N B300000100 to Present</b>	B
1	3537318	1	Plate, Swing Drive Mounting	
2	0642018	10	Bolt 5/8in - 11NC x 2-1/4in	
3	4892000	10	Flatwasher 5/8in Hardened	
4	0100011	A/R	Compound, Locking	
5		1	Swing Hub Assembly Options:	
	2780205		Hub USA Built Machines S/N 0300087000 to S/N 0300137453 (See Figure 2-5 for Breakdown)	
	1001101061		Hub USA Built Machines S/N 0300137453 to Present (See Figure 2-8 for Breakdown)	
	1001101061		Hub China Built Machines S/N B300000100 to Present (See Figure 2-8 for Breakdown)	
6	3932224	4	Bolt 1/2in-13NC x 1-1/2in	
7		1	Swing Brake Assembly Options:	
	0920119		Brake USA Built Machines S/N 0300087000 to S/N 0300137453	
	7018612	1	Repair Kit - 0920119 Brake (Note: Kit is only repair part available)	
	1001101061		Brake USA Built Machines S/N 0300137453 to Present (See Figure 2-8 for Breakdown)	
	1001101061		Brake China Built Machines S/N B300000100 to Present (See Figure 2-8 for Breakdown)	
8	4071009	1	Shim	
9		1	Swing Motor Assembly Options:	
			Motor USA Built Machines S/N 0300087000 to S/N 0300137453 Options:	
	Use 100110169		White Roller Stator Motor (was p/n 3160273 See Figure 2-6 for Breakdown)	
	100110169		Parker Motor (See Figure 2-7 for Breakdown)	
	1001101061		Motor USA Built Machines S/N 0300137453 to Present (See Figure 2-8 for Breakdown)	
	1001101061		Motor China Built Machines S/N B300000100 to Present (See Figure 2-8 for Breakdown)	
10		2	Bolt Options:	
	0681836		Bolt 1/2in-13NC x 4-1/2in USA Built Machines S/N 0300087000 to S/N 0300137453	
	See Figure 2-8		Bolt USA Built Machines S/N 0300137453 to Present	
	See Figure 2-8		Bolt China Built Machines S/N B300000100 to Present	
11		2	Flatwasher 1/2in Hardened Options:	
	4891800		Flatwasher USA Built Machines S/N 0300087000 to S/N 0300137453	
	See Figure 2-8		Flatwasher USA Built Machines S/N 0300137453 to Present	
	See Figure 2-8		Flatwasher China Built Machines S/N B300000100 to Present	

## SECTION 2 TURNTABLE

**FIGURE 2-4. SWING DRIVE, TURNTABLE BEARING & LOCK INSTALLATIONS (CONTINUED)**

ITEM #	PART NUMBER	QTY.	DESCRIPTION	REV.
		Ref.	<b>TURNTABLE BEARING INSTALLATIONS</b>	
	0254798	Ref.	<b>USA Built Machines S/N 0300087000 to S/N 0300112400</b>	2/B
	Use 0254798	Ref.	<b>USA Built Machines S/N 0300112400 to S/N 0300118365 (Was p/n 1001095359)</b>	2/B
	0254798	Ref.	<b>USA Built Machines S/N 0300118365 to Present</b>	2/B
	0254798	Ref.	<b>China Built Machines S/N B300000100 to Present</b>	2/B
101	Use 2915087	1	Bearing Kit (was p/n 0440207) (Kit Includes Bearing & Mounting Hardware)	
102	0682016	36	Bolt 5/8in - 11NC X 2in (Grade 8)	
103	4892000	36	Flatwasher 5/8in Hardened	
104	0100019	A/R	Compound, Locking	
	0255410	Ref.	<b>TURNTABLE LOCK INSTALLATION</b>	B
201	4844958	1	Pin	
202	3421565	1	Pin, Snap	
203	3760170	2	Ring, Quick Release	
204	1260017	9in/23cm	Chain	
	0255444	Ref.	<b>REMOTE BEARING LUBE INSTALLATION</b>	2/E
301	2751032	2	Hose, Grease	
302	2180344	2	Fitting, Bulkhead	
303	2160002	2	Fitting, Grease	
304	2220001	2	Fitting, Straight	
305	2220063	2	Fitting, 90°	

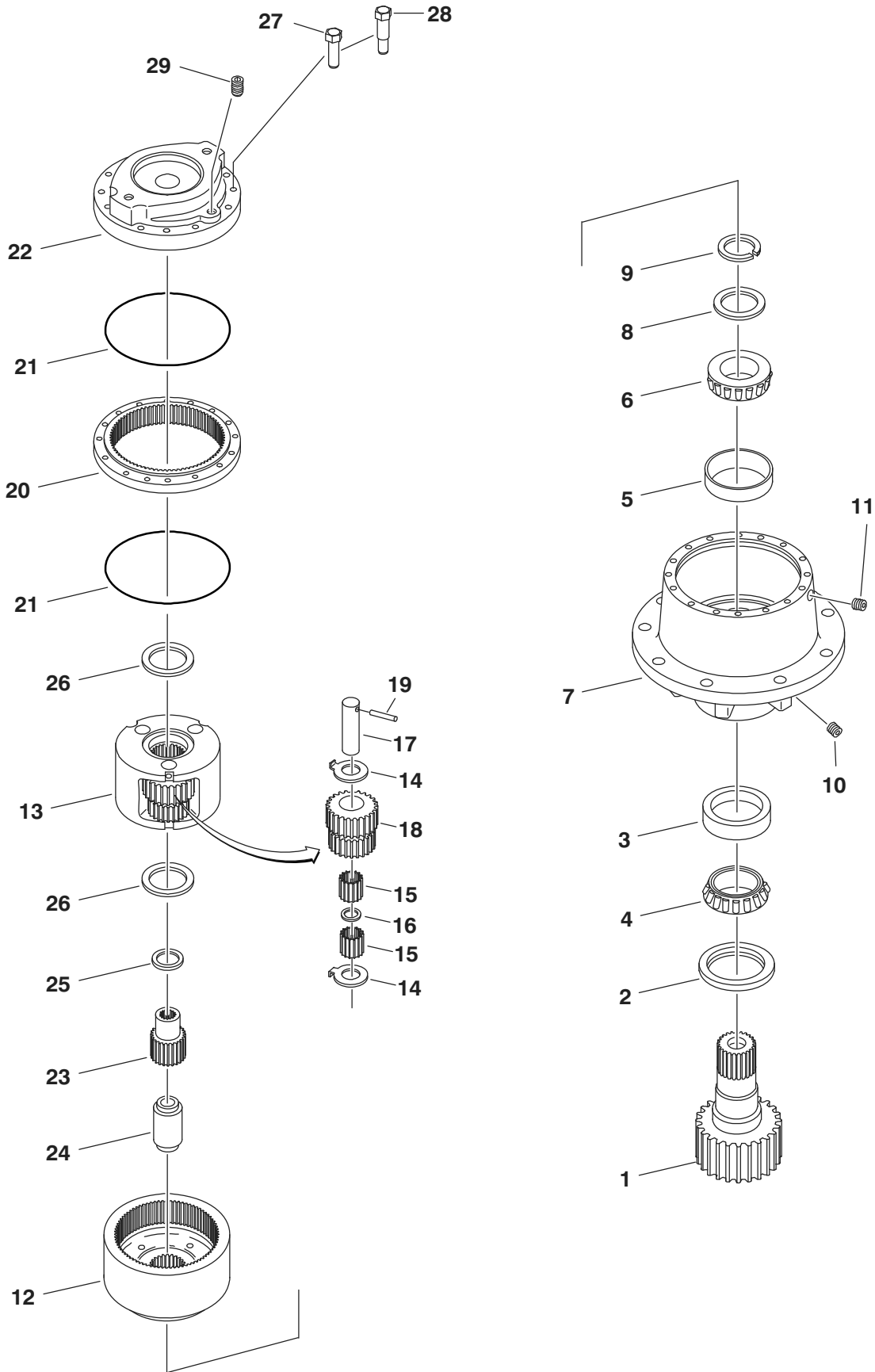
**SECTION 2 TURNTABLE**

**FIGURE 2-4. SWING DRIVE, TURNTABLE BEARING & LOCK INSTALLATIONS (CONTINUED)**

ITEM #	PART NUMBER	QTY.	DESCRIPTION	REV.

# SECTION 2 TURNTABLE

FIGURE 2-5. SWING HUB ASSEMBLY (USA BUILT MACHINES S/N 0300087000 TO S/N 0300137453)



## SECTION 2 TURNTABLE

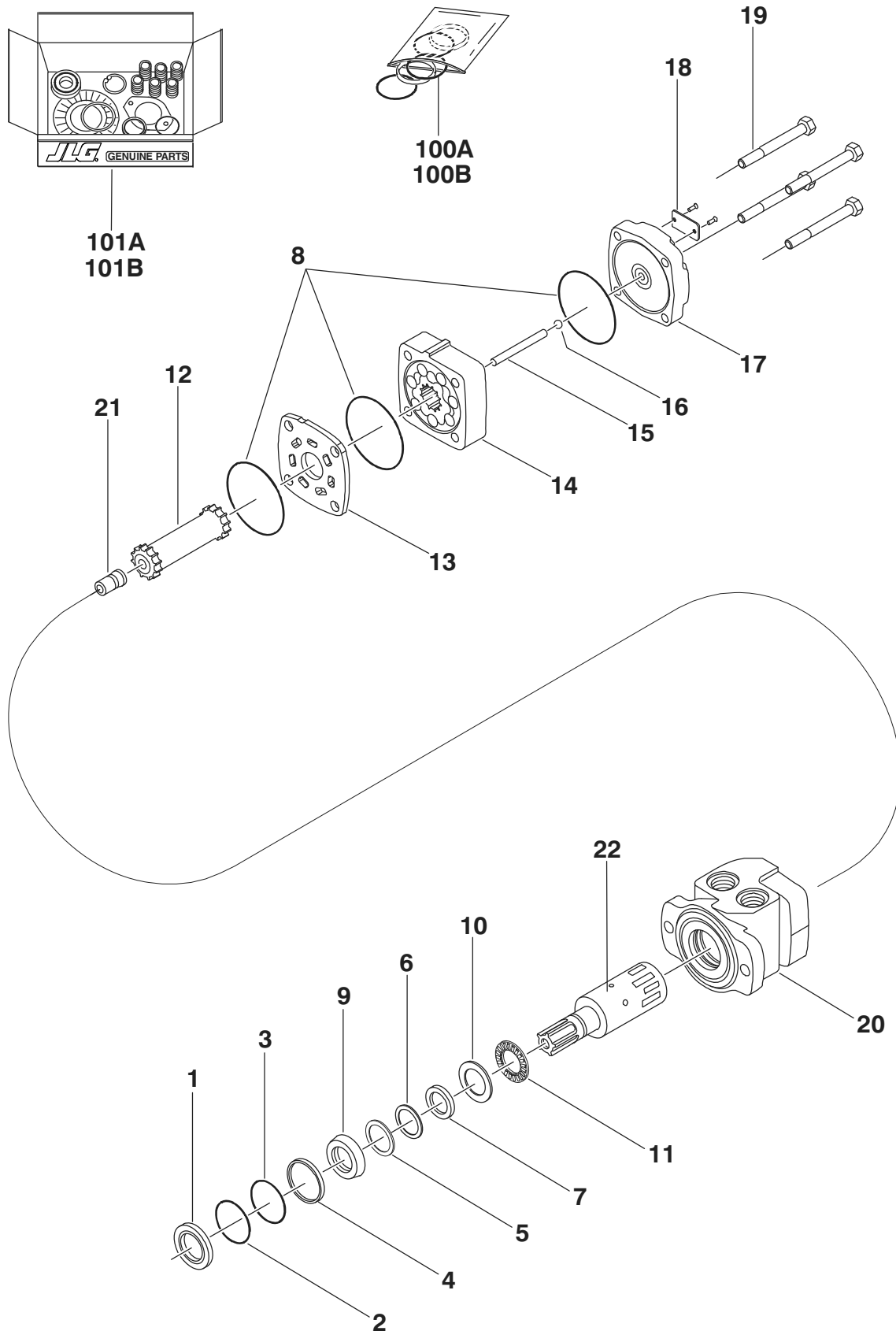
**FIGURE 2-5. SWING HUB ASSEMBLY (USA BUILT MACHINES S/N 0300087000 TO S/N 0300137453)**

ITEM #	PART NUMBER	QTY.	DESCRIPTION	REV.
	2780205	Ref.	<b>SWING HUB ASSEMBLY</b>	B
		Ref.	<b>HOUSING ASSEMBLY</b>	
1	7010492	1	Shaft, Output	
2	7000228	1	Seal, Lip	
3	7000255	1	Cup, Bearing	
4	7000256	1	Cone, Bearing	
5	7000257	1	Cup, Bearing	
6	7000258	1	Cone, Bearing	
7	7017089	1	Housing	
8	7007633	1	Thrustwasher	
9	7000229	1	Ring, Retaining	
10	7010494	2	Pipe, Plug	
11	7001928	2	Pipe, Plug	
12	7000246	2	Gear, Internal	
			-----	
13		Ref.	<b>CARRIER ASSEMBLY</b>	
	7001931	1	Carrier	
14	7001985	6	Thrustwasher, Tanged	
15	7001909	96	Bearing, Needle	
16	7000263	3	Spacer, Thrust	
17	7001911	3	Shaft, Planet	
18	7001987	3	Gear, Cluster	
19	7010474	3	Rollpin	
20	7001988	1	Ring Gear	
21	7000230	2	O-Ring	
22	7000209	1	Cover, Input	
23	7010488	1	Gear, Sun	
24	7000269	1	Spacer, Input	
25	7000270	1	Thrustwasher	
26	7000253	2	Thrustwasher	
27	7000217	8	Bolt	
28	7000214	4	Bolt, Shoulder	
29	7000242	1	Pipe, Plug	



## SECTION 2 TURNTABLE

FIGURE 2-6. SWING MOTOR ASSEMBLY (WHITE ROLLER STATOR) (USA BUILT MACHINES  
S/N 030087000 TO S/N 0300137453)



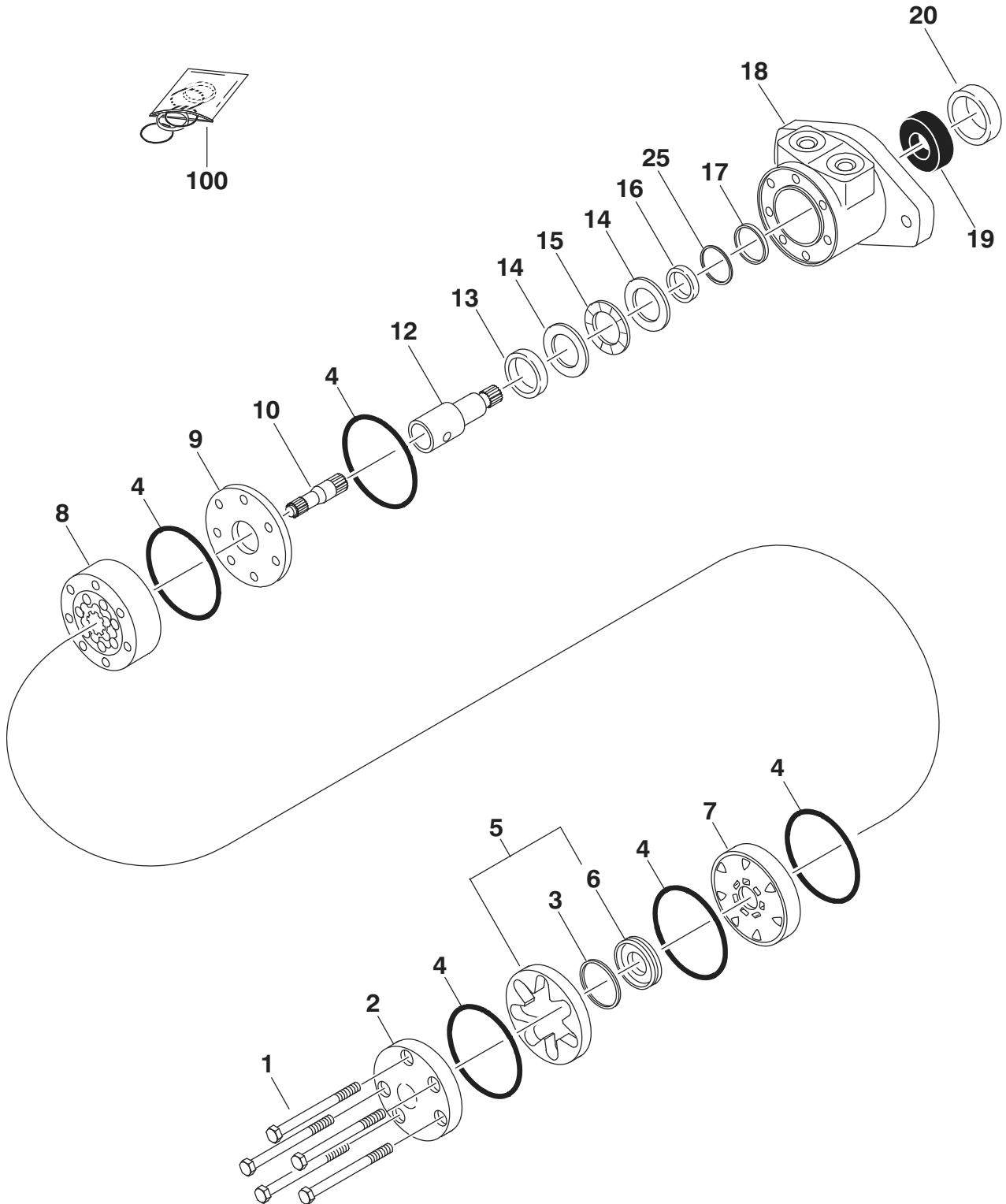
## SECTION 2 TURNTABLE

**FIGURE 2-6. SWING MOTOR ASSEMBLY (WHITE ROLLER STATOR) (USA BUILT MACHINES  
S/N 030087000 TO S/N 0300137453)**

ITEM #	PART NUMBER	QTY.	DESCRIPTION	REV.
	3160273	Ref.	<b>SWING MOTOR ASSEMBLY (WHITE ROLLER STATOR)</b>	D
1	Use 7005881	1	Seal, Dust	
2	Use 7005881	1	Ring, Split Wire	
3	Use 7005881	1	Shim, Metal Back-Up	
4	Use 7005881	1	Seal, High Pressure	
5	Use 7005881	1	Shim, Metal Back-Up	
6	Use 7005881	1	Seal, Teflon Back-Up	
7	Use 7005881	1	Seal, Shaft	
8	Use 7005881	3	Seal, Body	
9	Use 7005882	1	Carrier, Seal	
10	Use 7005882	1	Thrustwasher	
11	7016422	1	Bearing, Thrust	
12	7005889	1	Link, Drive	
13	7016423	1	Plate, Wear	
14	7005890	1	Rotor Assembly	
15	7005891	1	Pin, Drive Link	
16	Use 7016424	1	Ball	
17	Use 7016424	1	Cover, End	
18	See Note	1	Tag, I.D. <b>(Note: Not Available for Purchase)</b>	
19	7005892	4	Bolt	
20	7016425	1	Housing	
21	7005893	1	Plug, Cooling	
22	7016426	1	Shaft	
-----				
100		A/R	Seal Kit Options:	
100A	7005881	1	Seal Kit (Includes Items 1-8)	
100B	7005882	1	Seal Carrier Kit (Includes Items 9 & 10)	
101		A/R	Repair Kit Options:	
101A	7016424	1	End Cover Kit (Includes Items 16 & 17)	
101B	7016427	1	Housing/Shaft Kit (Includes Items 20-22)	

## SECTION 2 TURNTABLE

FIGURE 2-7. SWING MOTOR ASSEMBLY (PARKER) (USA BUILT MACHINES S/N 0300087000 TO S/N 0300137453)



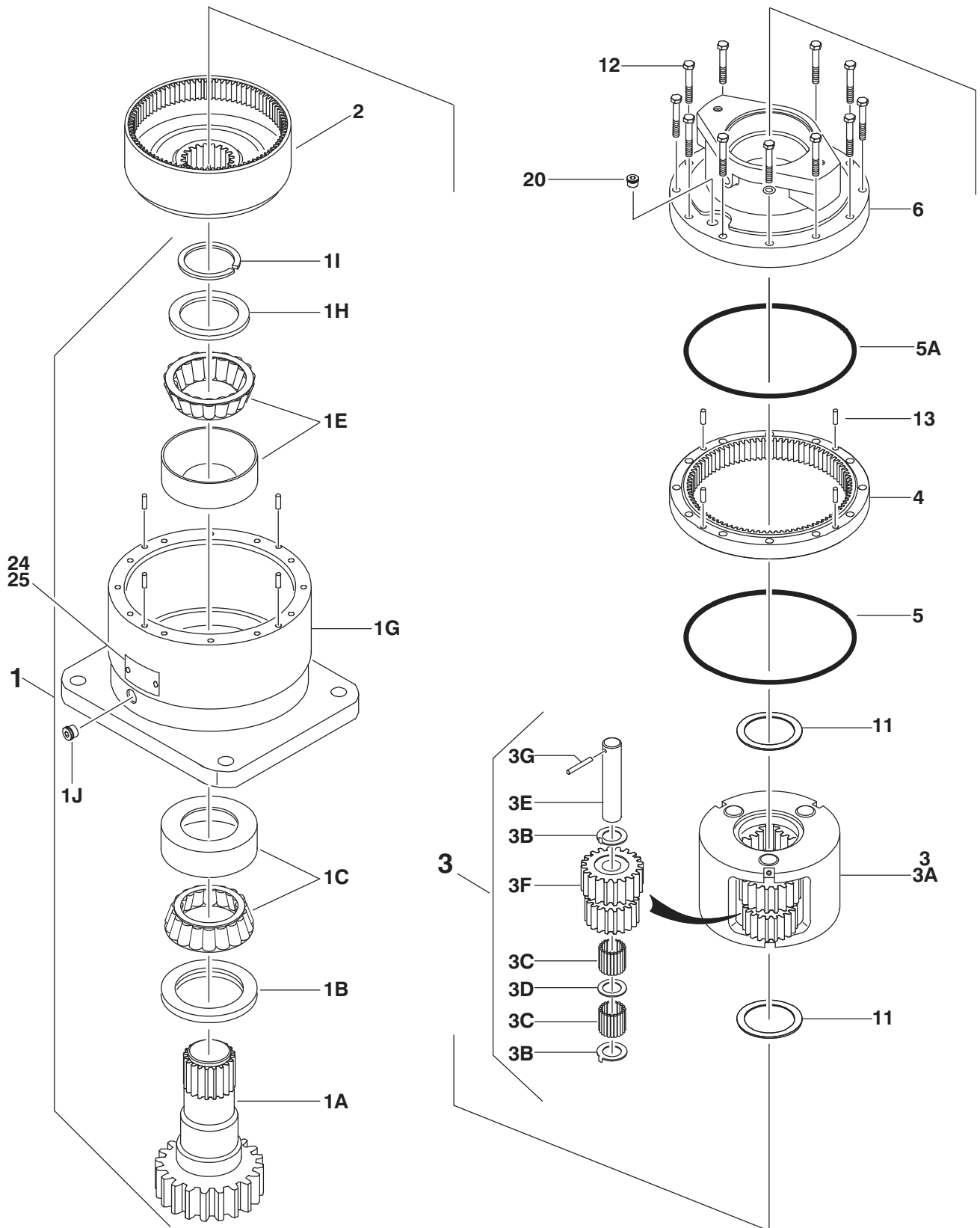
## SECTION 2 TURNTABLE

**FIGURE 2-7. SWING MOTOR ASSEMBLY (PARKER) (USA BUILT MACHINES S/N 0300087000 TO S/N 0300137453)**

ITEM #	PART NUMBER	QTY.	DESCRIPTION	REV.
	1001110169	Ref.	<b>SWING MOTOR ASSEMBLY (PARKER)</b>	B
1	70002243	5	Bolt	
2	7004035	1	Cover, End	
3	Use 7024389	1	Seal, Commutator	
4	Use 7024389	5	Seal, Ring	
5	7024453	1	Commutator and Ring Assembly	
6	Use 7024453	1	Ring	
7	7024379	1	Manifold	
8	70002208	1	Rotor Set	
9	7024380	1	Plate, Wear	
10	83304150	1	Link, Drive	
11	Not Used			
12	7024395	1	Shaft, Coupling	
13	7024381	1	Bushing, Bronze	
14	7004043	2	Thrustwasher	
15	7004044	1	Bearing, Thrust	
16	Use 7024389	1	Seal, Inner	
17	Use 7024389	1	Washer, Back-up	
18	Use 1001110169	1	Housing <b>(Note: Not Available for Purchase)</b>	
19	7024390	1	Bearing	
20	Use 7024389	1	Seal	
21 to 24	Not Used			
25	Use 7024389	1	Washer, Backup	
100	7024389	1	Seal Kit (Includes Items 3, 4, 16, 17, 20 & 25)	

# SECTION 2 TURNTABLE

**FIGURE 2-8. SWING MOTOR/BRAKE/HUB ASSEMBLY (PARKER/FAIRFIELD) (USA BUILT MACHINES S/N 0300137453 TO PRESENT & CHINA BUILT MACHINES S/N B300000100 TO PRESENT)**





## SECTION 2 TURNTABLE

**FIGURE 2-8. SWING MOTOR/BRAKE/HUB ASSEMBLY (PARKER/FAIRFIELD) (USA BUILT MACHINES S/N 0300137453 TO PRESENT & CHINA BUILT MACHINES S/N B300000100 TO PRESENT)**

ITEM #	PART NUMBER	QTY.	DESCRIPTION	REV.
	1001101061	Ref.	<b>SWING MOTOR/HUB ASSEMBLIES</b>	A
1	Use 1001101061	1	Housing/Shaft Assembly ( <b>Note: Not Available for Purchase</b> )	
1A	7010492	1	Shaft, Output	
1B	7000228	1	Seal, Lip	
1C	7000255	1	Bearing Kit (Includes Cup & Cone)	
1D	Not Used			
1E	7000257	1	Bearing Kit (Includes Cup & Cone)	
1F	Not Used			
1G	Use 1001101061	1	Housing ( <b>Note: Not Available for Purchase</b> )	
1H	7007633	1	Thrustwasher	
1I	7000229	1	Ring, Retaining	
1J	7017072	1	Plug, Pipe	
2	7000246	1	Gear, Internal	
3	80424002	1	Carrier Assembly	
3A	7001931	1	Carrier	
3B	7001985	6	Washer, Tanged	
3C	7001909	96	Bearing, Needle	
3D	7000263	3	Thrustwasher	
3E	7001911	3	Shaft, Planet	
3F	7001912	3	Gear, Cluster	
3G	7010474	3	Rollpin	
4	7000248	1	Gear, Ring	
5	7000230	1	O-Ring (Black)	
5A	7017070	1	O-Ring (White)	
6	Use 1001101061	1	Housing, Brake ( <b>Note: Not Available for Purchase</b> )	
7	70002065	1	Gear, Sun	
8		1	Brake Components	
8A	70000782	1	Piston, Brake	
8B	Not Used			
8C	Not Used			
8D	70002070	1	O-Ring	
8E	70002071	1	Ring, Back-up	
8F	70002073	1	O-Ring	
8G	Not Used			
8H	70002072	1	Ring, Back-up	
8I	Not Used			
8J	70002067	4	Rotor, Brake	
8K	70002068	5	Stator, Brake	
8L	70002066	14	Spring, Brake	
9 to 10	Not Used			
11	7000253	2	Thrustwasher	
12	7000217	12	Bolt 5/16in-18NC x 2-1/4in (Grade 8)	
13	7017080	4	Pin, Dowel	
14 to 19	Not Used			
20	7017072	1	Plug, Pipe	
21	7024704	4	Bolt 5/16in-18NC x 2in (Grade 8)	

## SECTION 2 TURNTABLE

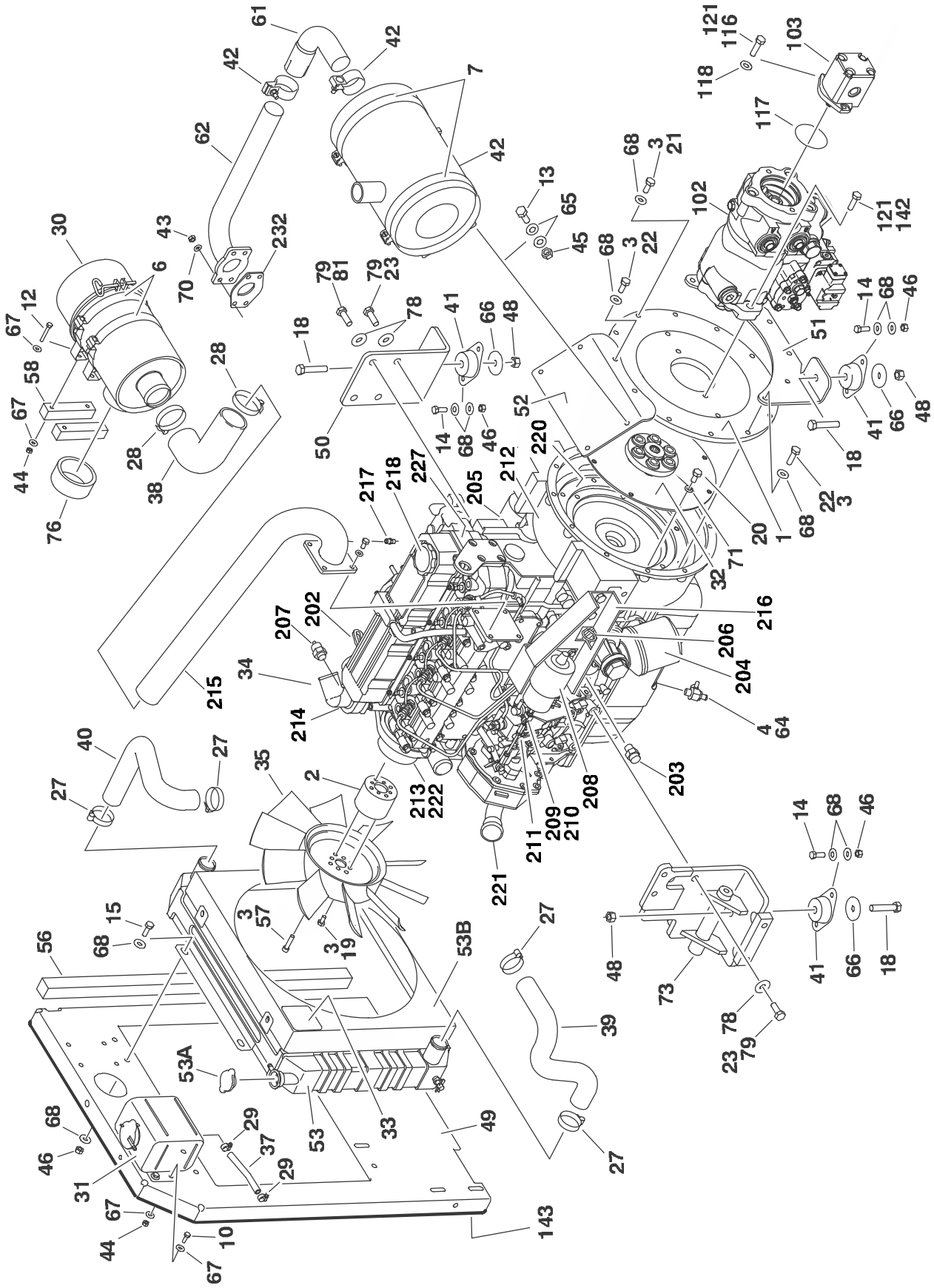
**FIGURE 2-8. SWING MOTOR/BRAKE/HUB ASSEMBLY (PARKER/FAIRFIELD) (USA BUILT MACHINES S/N 0300137453 TO PRESENT & CHINA BUILT MACHINES S/N B300000100 TO PRESENT) (CONTINUED)**

ITEM #	PART NUMBER	QTY.	DESCRIPTION	REV.
22	See Note	4	Lockwasher ( <b>Note: Not Available for Purchase</b> )	
23	7017023	2	Plug, Pipe	
24	See Note	1	Plate, ID ( <b>Note: Not Available for Purchase</b> )	
25	7000281	2	Screw, Drive	
26	7024763	1	O-Ring	
27	Not Used			
28	See Note	2	Lug, Lifting ( <b>Note: Not Available for Purchase</b> )	
29	70002069	2	Bolt 1/2in-13NC x 2in (Grade 8)	
30	7017085	2	Elbow	
31	70002075	1	Motor Assembly (See Items 101-121 for Breakdown)	
32	7024784	1	Valve (No Serviceable Parts)	
33	7017082	1	Plug, Pipe (Not Shown)	
34	Not Used			
35	70002074	1	Tube	
36 to 43	Not Used			
44	7017028	1	Ring, Retaining	
45	7024100	1	Seal Kit - Swing Hub (Includes Items 1B, 1I, 5, 5A & 11)	
46	7000213	2	O-Ring	
	70002075	Ref.	<b>MOTOR ASSEMBLY</b>	
101	7024454	6	Bolt	
102	7004035	1	Cover, End	
103	Use 7024396	1	Seal, Commutator	
104	Use 7024396	5	Seal, Ring	
105	7024453	1	Commutator and Ring Assembly	
106	Use 7024453	1	Ring	
107	7024379	1	Manifold	
108	7024455	1	Rotor Set	
109	7024380	1	Plate, Wear	
110	7024456	1	Link, Drive	
111	Not Used			
112	7024458	1	Shaft, Coupling	
113	7024381	1	Bushing, Bronze	
114	7004043	1	Thrustwasher	
115	7004044	1	Bearing, Thrust	
116	Use 7024396	1	Seal, Inner	
117	Use 7024396	1	Washer, Back-up	
118	Use 70002075	1	Housing ( <b>Note: Not Available for Purchase</b> )	
119	7024390	1	Bearing	
120	Use 7024396	1	Seal	
121 to 124	Not Used			
125	Use 7024396	1	Washer, Back-up	
126	7024396	1	Seal Kit, Motor (Includes Items 103, 104, 116, 117, 120 & 125)	



# SECTION 2 TURNTABLE

FIGURE 2-9. CATERPILLAR ENGINE INSTALLATION (USA BUILT MACHINES S/N 0300087000 TO S/N 0300140369)





## SECTION 2 TURNTABLE

**FIGURE 2-9. CATERPILLAR ENGINE INSTALLATION (USA BUILT MACHINES S/N 0300087000 TO S/N 0300140369)**

ITEM #	PART NUMBER	QTY.	DESCRIPTION	REV.
		Ref.	<b>CATERPILLAR ENGINE ASSEMBLIES:</b>	
		Ref.	<b>Without Arctic Package</b>	
	0274491	Ref.	<b>Tier II S/N 0300087000 to S/N 0300135241</b>	L
	1001105993	Ref.	<b>Tier III/Tier IVi S/N 0300135241 to S/N 0300140369</b>	D
		Ref.	<b>With Arctic Package</b>	
	0275256	Ref.	<b>Tier II S/N 0300087000 to S/N 0300135241</b>	I
	1001106338	Ref.	<b>Tier III/Tier IVi S/N 0300135241 to S/N 0300140369</b>	D
1	0080181	1	Adapter, Pump Mounting Plate	
2	0080243	1	Adapter, Fan Spacer	
3	0100011	A/R	Compound, Locking	
4	0100020	A/R	Sealant, Thread	
5		1	Hold-Down, Battery Options:	
5A	0181727		S/N 0300087000 to S/N 0300110504	
5B	91401281		S/N 0300110504 to S/N 0300140369	
6	0340041	2	Band, Mounting	
7	0340046	2	Band, Muffler	
8	0400075	1	Battery	
9		2	Rod, Hold-Down Options:	
9A	0630498		S/N 0300087000 to S/N 0300110504	
9B	1001093382		S/N 0300110504 to S/N 0300140369	
10	0641406	4	Bolt 1/4in-20NC x 3/4in	
11	0641407	6	Bolt 1/4in-20NC x 7/8in	
12	0701414	4	Bolt 1/4in-20NC x 3/4in	
13	0641507	4	Bolt 5/16in-18NC x 7/8in	
14	0641608	A/R	Bolt 3/8-16NC x 1in	
15	0641609	4	Bolt 3/8-16NC x 1-1/8in	
16	0641610	4	Bolt 3/8-16NC x 1-1/4in	
17	0641808	1	Bolt 1/2in-13NC x 1in	
18	0641820	4	Bolt 1/2in-13NC x 2-1/2in	
19	0700808	4	Bolt M8 x 16mm	
20	0701010	8	Bolt M10 x 20mm	
21	0701012	4	Bolt M10 x 25mm	
22	0701015	8	Bolt M10 x 35mm	
23		A/R	Bolt Options:	
	0701214	8	Bolt M12 x 30mm (S/N 0300087000 to S/N 0300098805)	
	0711214	5	Bolt M12 x 30mm (S/N 0300098805 to S/N 0300140369)	
24	0940070	1	Bumper, Rubber	
25	0961986	2	Bearing, Flange	
26	1060637	1	Lanyard	
27	8405104	4	Clamp, Hose	
28	1320016	2	Clamp, Hose	
29	8405009	2	Clamp, Hose	
30	1340060	1	Air Cleaner Assembly	
	7012664	1	Element, Air Cleaner	
31	1580011	1	Container, Coolant Overflow	
32	1660239	1	Coupling, Pump	
33	1703162	2	Decal - Fan Blade	

## SECTION 2 TURNTABLE

**FIGURE 2-9. CATERPILLAR ENGINE INSTALLATION (USA BUILT MACHINES S/N 0300087000 TO S/N 0300140369) (CONTINUED)**

ITEM #	PART NUMBER	QTY.	DESCRIPTION	REV.
34	Use 1001109762	1	Caterpillar Engine Assembly Options: Tier II S/N 0300087000 to S/N 0300105048 (was p/n 2000194 & p/n 2000386)	
	Use 1001109762		Tier II S/N 0300105048 to S/N 0300135241(was p/n 2000386)	
	1001100313		Tier III/Tier IVi S/N 0300135241 to S/N 0300140369	
35	2060025	1	Fan	
36	Not Used			
37	2720058	.33ft	Hose	
38	2720434	1	Elbow, Rubber	
39	2720509	1	Hose, Radiator (Bottom)	
40		1	Hose, Radiator (Top) Options:	
	2720510		Tier II S/N 0300087000 to S/N 0300135241	
	1001107705		Tier III/Tier IVi S/N 0300135241 to S/N 0300140369	
41	3200406	4	Mount, Engine	
42		1	Muffler Options:	
	3220113		Muffler, Spark Arresting (Standard)	
	70001017	1	Clamp	
	1001107116		Muffler, Catalytic (Optional) (Was p/n 3220154)	
	70002705	1	Clamp	
	70002706	1	Plug	
43	3290801	4	Nut M8	
44	3311405	14	Locknut 1/4in-20NC	
45	3311505	A/R	Locknut 5/16in-18NC	
46	3311605	A/R	Locknut 3/8in-16NC	
47	3311801	1	Nut 1/2in-13NC	
48	3311805	4	Locknut 1/2in-13NC	
49	3539872	1	Plate, Radiator Mounting	
50	3574206	1	Plate, Motor Mount	
51	3574207	1	Plate, Engine Mount (Rear)	
52	3574208	1	Bracket, Muffler	
53	3620047	1	Radiator	
53A	7027412	1	Cap	
53B	70004182	1	Shroud, Fan	
54	3740067	3	Relay, Solenoid Assembly	
55	3960468	1	Seal, Foam Gasket	
56	3960469	1	Seal, Foam Gasket	
57	4031911	4	Bolt M8 x 35mm	
58	4220191	2	Block, Spacer	
59 to 60	Not Used			
61	4567073	1	Tube, Exhaust	
62	4568721	1	Exhaust Tube Weldment	
63	Not Used			
64	4640750	1	Valve, Oil Drain (was p/n1001105833)	
65	4711500	8	Flatwasher 5/16in Thin	
66	4740274	4	Washer, Snubbing	
67	4751400	28	Flatwasher 1/4in Regular	
68	4751600	A/R	Flatwasher 3/8in Regular	
69	4751800	1	Flatwasher 1/2in Regular	

## SECTION 2 TURNTABLE

**FIGURE 2-9. CATERPILLAR ENGINE INSTALLATION (USA BUILT MACHINES S/N 0300087000 TO S/N 0300140369) (CONTINUED)**

ITEM #	PART NUMBER	QTY.	DESCRIPTION	REV.
70	4811900	4	Flatwasher M8	
71	4832000	8	Lockwasher M10	
72	4846790	1	Tray Engine	
73	4846805	1	Mount, Engine/Generator - Left	
74	4922737	1	Harness, Relay Ground	
75	0721006	1	Bolt #10-24NC x 3/4in (S/N 0300087000 to S/N 0300098805)	
76	2720515	1	Seal, Air Cleaner	
77	Not Used			
78		8	Flatwasher Options:	
	4751800		Flatwasher 1/2in (S/N 0300087000 to S/N 0300098805)	
	4812100		Flatwasher M12 (S/N 0300098805 to S/N 0300140369)	
79	0100019	A/R	Compound, Locking	
80	4751500	2	Flatwasher 5/16in Regular	
81		3	Bolt Options:	
	0711214		Bolt M12 x 30mm (S/N 0300098805 to S/N 0300111414)	
	0771212		Bolt M12 x 25mm (S/N 0300111414 to S/N 0300140369)	
82		2	Locknut 5/16in-18NC Options:	
	3311505		S/N 0300087000 to S/N 0300121553	
	88521205		S/N 0300121553 to S/N 0300140369	
83 to 89	Not Used			
		Ref.	<b>Note: Arctic Package Items 90-96 Not Shown - Used on Arctic Machines Only</b>	
90	1060626	1	Cord, 3-Way Extension (Located on Left Front of Engine)	
91	1320223	2	Clamp	
92	2300041	2.63gal/9.96Li	Fluid 60/40 Arctic Antifreeze	
93	2580024	1	Heater, Battery (Located on Battery)	
94	2580055	1	Heater, Block (Located on Left Side of Engine)	
95	3020044	1.54gal/5.8Li	Oil, Motor 0W-40 (Not Shown)	
96	3980007	1	Seat, Battery (Located Under Battery)	
		Ref.	<b>CATERPILLAR ENGINE INSTALLATIONS</b>	
		Ref.	<b>Without Arctic Package</b>	
	0274525	Ref.	<b>Tier II S/N 0300087000 to S/N 0300135241</b>	6/E
	1001107238	Ref.	<b>Tier III/Tier IVi S/N 0300135241 to S/N 0300140369</b>	3/B
		Ref.	<b>With Arctic Package</b>	
	0275264	Ref.	<b>Tier II S/N 0300087000 to S/N 0300135241</b>	5/D
	1001107239	Ref.	<b>Tier III/Tier IVi S/N 0300135241 to S/N 0300140369</b>	3/B
101	Not Used			
102	3600396	1	Piston Pump Assembly (See Figure 2-15 for Breakdown)	
103	3600395	1	Gear Pump Assembly (See Figure 2-16 for Breakdown)	
104	3422448	1	Pin, Pivot	
105	3841143	1	Keeper, Pin	
106	3422533	1	Pin, Hitch	
107	2902296	1	Battery Cable Kit	D

## SECTION 2 TURNTABLE

**FIGURE 2-9. CATERPILLAR ENGINE INSTALLATION (USA BUILT MACHINES S/N 0300087000 TO S/N 0300140369) (CONTINUED)**

ITEM #	PART NUMBER	QTY.	DESCRIPTION	REV.
		Ref.	<b>Note: 2902296 Rev A version is no longer available. Verify weather machine is equipped with 2 or 3 relays on the engine tray. If there are 3 relays, purchase latest revision of 2902296 kit. If there are 2 relays, purchase individual items as replacement.</b>	
107A	1001116241	1	Cable, Battery (Red) (Machines with 2 Relays on Engine Tray) (was p/n 7027000)	
	1001116240	1	Cable, Battery (Red) (Machines with 3 Relays on Engine Tray) (was p/n 7027000)	
107B	7027004	1	Cable, Battery (Black)	
107C	7027002	1	Cable (Red)	
107D	7027003	1	Cable (Black)	
107E	7027001	1	Cable (Red) (No Longer Part of 2902296 Kit.)	
108	1060904	1	Cable, Battery	
109	4922737	1	Harness, Relay Ground	
110	0642010	1	Bolt 5/8in-11NC x 1-1/4in	
111	4752000	1	Flatwasher 5/8in Regular	
112	1320223	A/R	J-Clip 1/2in	
113	0641606	2	Bolt 3/8in-16NC x 3/4in	
114	4711600	4	Flatwasher 3/8in Thin	
115	4060805	2ft/0.7mm	Flex-Trim 1/4in	
116	3931620	2	Bolt 3/8in-16NC x 1-1/4in	
117	3790152	1	O-Ring	
118	4891600	2	Flatwasher 3/8in Hardened	
119	3380428	1	Panel, Rubber	
120	3539956	1	Plate, Support	
121	0100011	A/R	Compound, Locking	
122	0100020	A/R	Sealant, Thread	
123		1	Fitting Options: S/N 0300087000 to S/N 0300135241 S/N 0300135241 to S/N 0300140369	
124	Not Used			
125	2220313	1	Fitting, 90°	
126	2750532	6ft./1.8m	Hose 3/8in	
127	2220250	1	Fitting, Reducer (S/N 0300087000 to S/N 0300140369)	
128		1	Fitting Options: S/N 0300087000 to S/N 0300135241 (Fitting, 90°) S/N 0300135241 to S/N 0300140369 (Fitting, 90° Barbed)	
129	Not Used			
130	2220794	2	Fitting, Barbed (S/N 0300087000 to S/N 0300140369)	
131	2720058	30ft/9.1m	Hose	
132	4751400	A/R	Flatwasher 1/4in Regular	
133	0641608	2	Bolt 3/8-16NC x 1in	
134	3311405	A/R	Locknut 1/4in-20NC	
135	0641507	3	Bolt 5/16in-18NC x 1-1/4in	
136	3311505	3	Locknut 5/16in-18NC	
137	0641407	1	Bolt 1/4in-20NC x 7/8in	
138	0641808	1	Bolt 1/2in-13NC x 1in	
139	1320022	7	Clamp, Hose	

## SECTION 2 TURNTABLE

**FIGURE 2-9. CATERPILLAR ENGINE INSTALLATION (USA BUILT MACHINES S/N 0300087000 TO S/N 0300140369) (CONTINUED)**

ITEM #	PART NUMBER	QTY.	DESCRIPTION	REV.
140	1701505	1	Decal - Diesel (Not Shown - Located on Hood)	
141	0641610	1	Bolt 3/8-16NC x 1-1/4in	
142	0641812	2	Bolt 1/2in-18NC x 1-3/4in	
143	3960389	5ft/1.5m	Seal, Hood	
144 to 149	Not Used			
		Ref.	<b>Note: Arctic Package Items 150 - 151 Not Shown - Used on Arctic Machines Only</b>	
150	2580050	1	Heater, Hydraulic Tank	
151	1060625	1	Cable, Immersion Heater	
		Ref.	<b>ENGINE COMPONENTS</b>	
	2000194	Ref.	<b>Tier II S/N 0300087000 to S/N 0300105048</b>	E
	2000386	Ref.	<b>Tier II S/N 0300105048 to S/N 0300135241</b>	B
	1001100313	Ref.	<b>Tier III/Tier IVi S/N 0300135241 to S/N 0300140369</b>	C
201	7026839	1	Fuel Filter Assembly	
	7026830	1	Filter, Fuel	
	70002833	1	Ring, Retaining	
	70002834	1	Bowl, Water Separator	
	70002835	1	Seal Kit, Water Separator	
202	7026831	1	Alternator	
203	Use 1001097554	1	Switch, Oil Pressure (was p/n 7026844)	
204	7026811	1	Filter, Oil	
	7026812	1	Seal - O-Ring (Oil Filter Head)	
	7026813	1	Seal - O-Ring (Oil Filter Head)	
205	7026833	1	Starter	
206		1	Dipstick Oil Level Options:	
	7026834		2000194 Engines	
	7026888		2000386 Engines	
	70002844		1001100313 Engines	
	70002843	1	Seal, Dipstick Tube (1001100313 Engines Only)	
207	7026840	1	Switch, Engine Temperature	
	7026882	1	Washer, Seal for Engine Temperature Switch	
208	1600361	1	Actuator/Linkage Assembly - Throttle	
	Use 1600361	1	Actuator & Electrical Connector Kit (was p/n 7026842)	
	7026835	1	Connector, Actuator	
	7026837	A/R	Contact, Crimp	
209	7026843	1	Actuator, Linkage Kit	
210	0902910	1	Mounting Bracket, Actuator	
211		1	Pump, Fuel Supply Options:	
	7026839		2000194 & 2000386 Engines	
	70002849		1001100313 Engines	
	70002850		Coil (1001100313 Engines)	
	70002848		Gasket	
	70002847		Seal, O-Ring (Gear Cover to Fuel Supply Pump)	
212	7026841	1	Sensor, Tach	
	7026836	1	Connector, Speed Sensor (Not Shown)	
	7026837	A/R	Contact, Crimp for Speed Sensor (Not Shown)	

## SECTION 2 TURNTABLE

**FIGURE 2-9. CATERPILLAR ENGINE INSTALLATION (USA BUILT MACHINES S/N 0300087000 TO S/N 0300140369) (CONTINUED)**

ITEM #	PART NUMBER	QTY.	DESCRIPTION	REV.
213		1	Pump, Water Options: Caterpillar Engine p/n 2000194	
	7026823		Caterpillar Engine S/Ns (Not Machine S/N) Prior to S/N 3440833	
	70001120		Caterpillar Engine S/Ns (Not Machine S/N) S/N 3440833 to Present	
	7026823		Caterpillar Engine p/n 2000386 & 1001100313	
	7026824	1	Gasket (Between Pump & Pump Cover)	
	7026825	1	Gasket (Between Pump Cover & Engine Block)	
	70001742	1	Pulley	
214	7026822	1	Thermostat	
	7026820	1	Gasket, Thermostat Housing	
	7026821	1	Gasket, Coolant (Not Shown)	
215		1	Tube, Air Intake Weldment Options:	
	4569177		2000194 Engines	
	4569371		2000386 & 1001100313 Engines	
216	7026887	1	Bracket, Throttle Actuator (was p/n 0903220)	
217		1	Hardware Options:	
	2220767	1	Fitting (2000194 Engines)	
	70001051	1	Valve, Air Intake Check (2000386 & 1001100313 Engines)	
218	7026800	1	Cap, Oil Fill (Valve Cover)	
219		1	Gasket Kit Options (Not Shown):	
	See Note	1	2000194 Engines <b>(Note: Not Available for Purchase)</b>	
	70002851	1	2000386 & 1001100313 Engines	
	7026801	1	Gasket, Valve Cover (Not Shown)	
	7026804	1	Gasket, Rear (Not Shown)	
	7026805	1	Seal, Rear Main (Not Shown)	
	7026807	1	Seal, Front Main (Not Shown)	
	7026809	1	Gasket, Oil Pan (Not Shown)	
	7026826	1	Gasket, Exhaust Manifold (Not Shown)	
	7026827	1	Gasket, Exhaust (Not Shown)	
	7026829	1	Gasket, Inlet Manifold (Not Shown)	
	7026828	1	Gasket, Inlet (Not Shown)	
		1	Gasket, Fuel Line Options (Not Shown):	
	See Note		2000194 Engines <b>(Note: Not Available for Purchase)</b>	
	70002763		2000386 & 1001100313 Engines	
		4	Seal, Fuel Injector Bolt Options (Not Shown):	
	See Note		2000194 & 2000386 Engines <b>(Note: Not Available for Purchase)</b>	
	70002863		1001100313 Engines	
220	7026802	1	Flywheel with Ring Gear	
	7026803	1	Gear, Ring	
221	7026806	1	Cap, Oil Fill (Lower Front)	
222	7026810	1	V-Belt	
223	7026814	1	Valve, Relief (Engine Oil Pressure) (Not Shown)	
	7026815	1	Gasket, Relief Valve (Not Shown)	



## SECTION 2 TURNTABLE

**FIGURE 2-9. CATERPILLAR ENGINE INSTALLATION (USA BUILT MACHINES S/N 0300087000 TO S/N 0300140369) (CONTINUED)**

ITEM #	PART NUMBER	QTY.	DESCRIPTION	REV.
224	7026819	1	Cooler, Oil (Not Shown)	
	7026816	1	O-Ring, Oil Cooler (Not Shown)	
	7026817	1	O-Ring, Oil Cooler (Not Shown)	
	7026818	1	Gasket, Oil Cooler (Not Shown)	
225	7026832	4	Plug, Glow (Not Shown)	
226	Use 2580055	1	Heater Kit, Engine Block (Optional) (Not Shown) (was p/n 7026845)	
	7026838	1	Gasket, Engine Block Heater (Not Shown)	
	70002841	1	Cord, Engine Block Heater (Not Shown)	
227	70002766	1	Head, Cylinder (2000386 & 1001100313 Engines Only)	
	70002761	A/R	Bolt, Head (Not Shown) (2000386 & 1001100313 Engines Only)	
	70002762	8	Seal, Cylinder Head Valve (Not Shown) (2000386 & 1001100313 Engines Only)	
	70002767	1	Gasket, Cylinder Head (Not Shown) (2000386 & 1001100313 Engines Only)	
	70002764	1	Gasket, Rear Cylinder Head (Not Shown) (2000386 & 1001100313 Engines Only)	
228		1	Hose, Bypass Options (Not Shown):	
	See Note		2000194 Engines ( <b>Note: Not Available for Purchase</b> )	
	70002765		2000386 & 1001100313 Engines	
229	70002852	A/R	Stud, Exhaust Manifold (Not Shown) (1001100313 Engines Only)	
230	70002845	1	Pump, Oil (Not Shown) (1001100313 Engines Only)	
	70002846	1	Gasket, Oil Pump (Not Shown) (1001100313 Engines Only)	
231	Not Used			
232	7026827	1	Gasket, Exhaust	

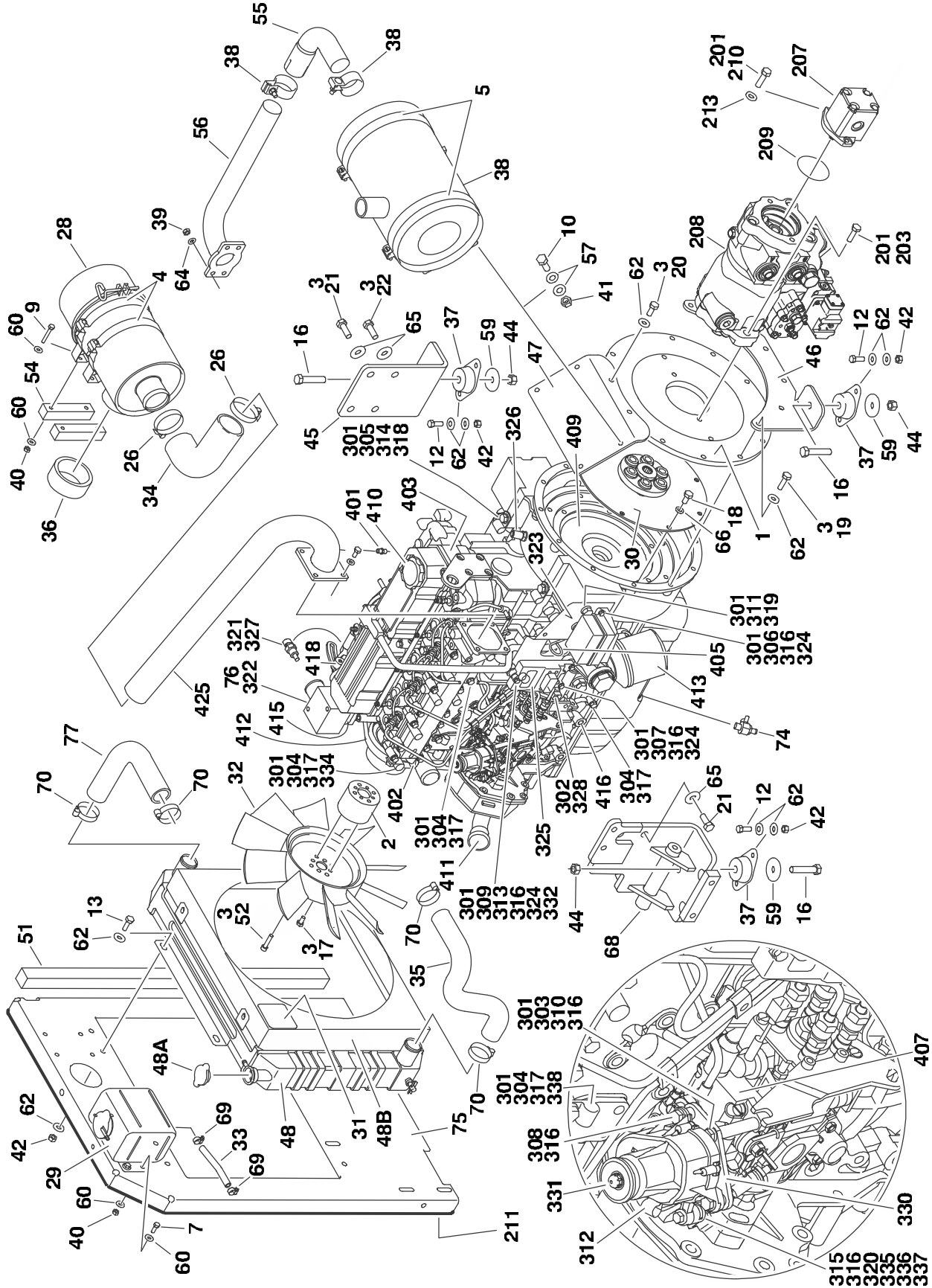
**SECTION 2 TURNTABLE**

**FIGURE 2-9. CATERPILLAR ENGINE INSTALLATION (USA BUILT MACHINES S/N 0300087000 TO S/N 0300140369) (CONTINUED)**

ITEM #	PART NUMBER	QTY.	DESCRIPTION	REV.

# SECTION 2 TURNTABLE

FIGURE 2-10. CATERPILLAR ENGINE INSTALLATION (USA BUILT MACHINES S/N 0300140369 TO PRESENT & CHINA BUILT MACHINES S/N B300000100 TO PRESENT)





## SECTION 2 TURNTABLE

**FIGURE 2-10. CATERPILLAR ENGINE INSTALLATION (USA BUILT MACHINES S/N 0300140369 TO PRESENT & CHINA BUILT MACHINES S/N B300000100 TO PRESENT)**

ITEM #	PART NUMBER	QTY.	DESCRIPTION	REV.
	1001109065	Ref.	<b>CATERPILLAR TIER IVi ENGINE ASSEMBLIES:</b>	C
1	0080181	1	Adapter, Pump Mounting Plate	
2	0080243	1	Adapter, Fan Spacer	
3	0100011	A/R	Compound, Locking	
4	0340041	2	Band, Mounting	
5	0340046	2	Band, Muffler	
6	0400075	1	Battery	
7	0641406	4	Bolt 1/4in-20NC x 3/4in	
8	0641407	4	Bolt 1/4in-20NC x 7/8in	
9	0701414	4	Bolt 1/4in-20NC x 3/4in	
10	0641507	4	Bolt 5/16in-18NC x 7/8in	
11	0641606	2	Bolt 3/8in-16NC x 3/4in	
12	0641608	8	Bolt 3/8-16NC x 1in	
13	0641609	4	Bolt 3/8-16NC x 1-1/8in	
14	0641610	4	Bolt 3/8-16NC x 1-1/4in	
15	0641808	1	Bolt 1/2in-13NC x 1in	
16	0641820	4	Bolt 1/2in-13NC x 2-1/2in	
17	0700808	4	Bolt M8 x 16mm	
18	0701010	8	Bolt M10 x 20mm	
19	0701012	4	Bolt M10 x 25mm	
20	0701015	8	Bolt M10 x 35mm	
21	0711214	5	Bolt M12 x 30mm	
22	0771212	3	Bolt M12 x 25mm	
23	0940070	1	Bumper, Rubber	
24	0961986	2	Bearing, Flange	
25	1060637	1	Lanyard	
26	1320016	2	Clamp, Hose	
27	1320223	4	Clamp	
28	1340060	1	Air Cleaner Assembly	
	7012664	1	Element, Air Cleaner	
29	1580011	1	Container, Coolant Overflow	
30	1660239	1	Coupling, Pump	
31	1703162	2	Decal - Fan Blade	
32	2060025	1	Fan	
33	2720058	.33ft	Hose	
34	2720434	1	Elbow, Rubber	
35	2720509	1	Hose, Radiator (Bottom)	
36	2720515	1	Seal, Air Cleaner	
37	3200406	4	Mount, Engine	
38		1	Muffler Options:	
	3220113		Muffler, Spark Arresting (Standard)	
	70001017	1	Clamp (Used on p/n 3220113)	
	1001107116		Muffler, Catalytic (Optional)	
	70002705	1	Clamp (Used on p/n 1001107116)	
	70002706	1	Plug	
39	3290801	4	Nut M8	
40	3311405	12	Locknut 1/4in-20NC	

## SECTION 2 TURNTABLE

**FIGURE 2-10. CATERPILLAR ENGINE INSTALLATION (USA BUILT MACHINES S/N 0300140369 TO PRESENT & CHINA BUILT MACHINES S/N B300000100 TO PRESENT)**

ITEM #	PART NUMBER	QTY.	DESCRIPTION	REV.
41	3311505	4	Locknut 5/16in-18NC	
42	3311605	16	Locknut 3/8in-16NC	
43	3311801	1	Nut 1/2in-13NC	
44	3311805	4	Locknut 1/2in-13NC	
45	3574206	1	Plate, Motor Mount	
46	3574207	1	Plate, Engine Mount (Rear)	
47	3574208	1	Bracket, Muffler	
48	3620047	1	Radiator	
48A	7027412	1	Cap	
48B	70004182	1	Shroud, Fan	
49	3740067	2	Relay, Solenoid Assembly	
50	3960468	1	Seal, Foam Gasket	
51	3960469	1	Seal, Foam Gasket	
52	4031911	4	Bolt M8 x 35mm	
53	4060805	2ft/0.7mm	Flex-Trim 1/4in	
54	4220191	2	Block, Spacer	
55	4567073	1	Tube, Exhaust	
56	4568721	1	Exhaust Tube Weldment	
57	4711500	8	Flatwasher 5/16in Thin	
58	4711600	2	Flatwasher 3/8in Thin	
59	4740274	4	Washer, Snubbing	
60	4751400	24	Flatwasher 1/4in Regular	
61	4751500	2	Flatwasher 5/16in Regular	
62	4751600	44	Flatwasher 3/8in Regular	
63	4751800	1	Flatwasher 1/2in Regular	
64	4811900	4	Flatwasher M8	
65	4812100	8	Flatwasher M12	
66	4832000	8	Lockwasher M10	
67	4846790	1	Tray Engine	
68	4846805	1	Mount, Engine/Generator - Left	
69	8405009	2	Clamp, Hose	
70	8405104	4	Clamp, Hose	
71	88521205	2	Locknut 5/16in-18NC	
72	91401281	1	Hold-Down, Battery	
73	1001093382	2	Rod, Hold-Down	
74	1001105833	1	Valve, Oil Drain	
75	1001109595	1	Plate, Radiator Mounting	
76	1001112077	1	Caterpillar Tier IVi Engine Assembly	
77	1001107705	1	Hose, Radiator (Top)	
78	4791400	4	Starwasher 1/4in	
		Ref.	<b>CATERPILLAR TIER IVi ENGINE INSTALLATIONS</b>	
		Ref.	<b>Without Arctic Package</b>	C
	1001109067	Ref.		
	1001110208	Ref.	<b>With Arctic Package</b>	C
101	0100011	A/R	Compound, Locking	
102	0100020	A/R	Sealant, Thread	
103	0641507	3	Bolt 5/16in-18NC x 7/8in	

## SECTION 2 TURNTABLE

**FIGURE 2-10. CATERPILLAR ENGINE INSTALLATION (USA BUILT MACHINES S/N 0300140369 TO PRESENT & CHINA BUILT MACHINES S/N B300000100 TO PRESENT)**

ITEM #	PART NUMBER	QTY.	DESCRIPTION	REV.
104	0641608	2	Bolt 3/8in-16NC x 1in	
105	0641610	1	Bolt 3/8in-16NC x 1-1/4in	
106	0641808	1	Bolt 1/2in-13NC x 1in	
107	0642010	1	Bolt 5/8in-11NC x 1-1/4in	
108	1320022	7	Clamp, Hose	
109	1701505	1	Decal - Diesel (Not Shown - Located on Hood)	
110	2180348	1	Fitting	
111	2220313	1	Fitting,90°	
112	2221176	1	Fitting	
113		2.6gal.	Fluid, Anti-Freeze Options (Not Shown):	
	2300004		Machines without Arctic Package	
	2300041		Machines with Arctic Package	
114	2720058	30ft/9.1m	Hose	
115	2750532	6ft./1.8m	Hose 3/8in	
116	3311505	3	Locknut 5/16in-18NC	
117	3380428	1	Panel, Rubber	
118	3422448	1	Pin, Pivot	
119	3539956	1	Plate, Support	
120	3841143	1	Keeper, Pin	
121	4711600	2	Flatwasher 3/8in Thin	
122	4752000	1	Flatwasher 5/8in Regular	
123	Not Used			
		Ref.	<b>Note: Arctic Package Items 124 - 127 Not Shown - Used on Arctic Machines Only</b>	
124	1060625	1	Cable, Immersion Heater	
125	1320223	1	J-Clip 1/2in	
126	1702943	1	Decal - Hydraulic Tank Heater (Located on bottom of Hydraulic Oil Tank)	
127	2580050	1	Heater, Hydraulic Tank	
		Ref.	<b>CATERPILLAR TIER IVi ENGINE W/PUMPS ASSEMBLIES</b>	
	1001109066	Ref.	<b>Without Arctic Package</b>	C
	1001110200	Ref.	<b>With Arctic Package</b>	B
201	0100011	A/R	Compound, Locking	
202	0641407	1	Bolt 1/4in-20NC x 7/8in	
203	0641812	2	Bolt 1/2in-18NC x 1-3/4in	
204		2.5gal	Oil, Motor Options (Not Shown):	
	3020016		Oil, Motor 15W-40 (Without Arctic Package))	
	3020044		Oil, Motor 0W-40 (With Arctic Package)	
205	3311405	1	Locknut 1/4in-20NC	
206	3422533	1	Pin, Hitch	
207	3600395	1	Gear Pump Assembly (See Figure 2-16 for Breakdown)	
208	3600396	1	Piston Pump Assembly (See Figure 2-15 for Breakdown)	
209	3790152	1	O-Ring	
210	3931620	2	Bolt 3/8in-16NC x 1-1/4in	
211	3960389	5ft/1.5m	Seal, Hood	
212	4751400	1	Flatwasher 1/4in Regular	
213	4891600	2	Flatwasher 3/8in Hardened	

## SECTION 2 TURNTABLE

**FIGURE 2-10. CATERPILLAR ENGINE INSTALLATION (USA BUILT MACHINES S/N 0300140369 TO PRESENT & CHINA BUILT MACHINES S/N B300000100 TO PRESENT)**

ITEM #	PART NUMBER	QTY.	DESCRIPTION	REV.
214	Not Used			
215	1001112763	1	Battery Cable Kit	B
215A	7027028	1	Cable, Battery (Red)	
215B	7027029	1	Cable, Battery (Black)	
215C	7027002	1	Cable (Red)	
215D	7027033	1	Cable (Black)	
		Ref.	<b>Note: Arctic Package Items 216 - 226 Not Shown - Used on Arctic Machines Only</b>	
216	0641608	2	Bolt 3/8in-16NC x 1in	
217	1060626	1	Cord, 3-Way Extension (Located on Left Front of Engine)	
218	1320223	2	Clamp	
219	1702941	1	Decal - Battery Heater (Located on Battery Heater)	
220	1702942	1	Decal - Engine Block Heater (Located on Right Side of Engine)	
221	1702944	1	Decal - Heater Cord (Located on Left Front of Engine)	
222	2580024	1	Heater, Battery (Located on Battery)	
223	2580055	1	Heater, Block (Located on Left Side of Engine)	
224	3311605	2	Locknut 3/8in-16NC	
225	3980007	1	Seat, Battery (Located Under Battery)	
226	4751600	2	Flatwasher 3/8in Regular	
	1001112077	Ref.	<b>CATERPILLAR TIER IVi ENGINE W/ECM ASSEMBLY</b>	E
301	0100011	A/R	Compound, Locking	
302	0100020	A/R	Sealant, Thread	
303	0700620	1	Bolt M6 x 60mm	
304	0700808	5	Bolt M8 x 16mm	
305	0701010	2	Bolt M10 x 20mm	
306	0760606	2	Bolt M6 x 12mm	
307	0760610	2	Bolt M6 x 20mm	
308	4031709	3	Capscrew M6 x 25mm	
309	8303541	1	Screw M6 x 35mm	
310	0700616	2	Bolt M6 x 40mm	
311	0761210	2	Bolt M12 x 20mm	
312	8406009	1	Clamp, Cable	
313	1320224	1	Clamp, Cable	
314	8406105	2	Clip, Tube	
315	3290507	1	Locknut M5	
316	4811700	12	Flatwasher 6mm	
317	4811900	5	Flatwasher 8mm	
318	4812000	2	Flatwasher 10mm	
319	4812100	2	Flatwasher 12mm	
320	4811600	1	Flatwasher 5mm	
321	1001097553	1	Washer, Coolant Sensor	
322	1001109064	1	Caterpillar Tier IVi Engine Assembly	
323	1001112057	1	Bracket	
324	1001112059	5	Bumper	
325	1001112067	1	ECM	
326	1001112068	1	Sensor, Speed	
327	1001112069	1	Sensor, Temperature	



## SECTION 2 TURNTABLE

**FIGURE 2-10. CATERPILLAR ENGINE INSTALLATION (USA BUILT MACHINES S/N 0300140369 TO PRESENT & CHINA BUILT MACHINES S/N B300000100 TO PRESENT)**

ITEM #	PART NUMBER	QTY.	DESCRIPTION	REV.
328	1001112070	1	Switch, Oil Pressure	
329	1001112071	1	Harness, Engine (Not Shown - See Section 7 for Breakdown)	
330	1001112072	1	Bracket	
331	1001112073	1	Actuator	
	1001112849	1	Linkage Assy	
332	1001112570	1	Spacer	
333	Not Used			
334	1320263	1	Clamp, Cable	
335	1001112075	1	Bolt	
336	1001112592	1	Bearing	
337	1001116595	1	Spacer	
338	8406109	1	Clip, Tube	
	1001109064	Ref.	<b>ENGINE COMPONENTS</b>	B
401	70001051	1	Valve, Crankcase Actuator Shut-Off	
402	70001120	1	Pump, Water	
	70001742	1	Pulley, Water Pump	
	70002765	1	Hose, By-Pass (Not Shown)	
403	See Note		Head, Cylinder ( <b>Note: Not Available for Purchase</b> )	
	7026801	1	Gasket, Valve Cover	
	70002764	1	Gasket, Rear Head	
	70002762	15	Seat, Valve	
	70002761	17	Bolt, Head	
404	7026839	1	Pump, Fuel Supply	
	7026830	1	Element, Fuel Filter	
	70002834	1	Bowl, Water Collection	
	70002835	1	Seal Kit - Water Separator	
	70002833	1	Ring, Fuel Pump Retaining	
405	70002844	1	Dipstick Oil Level	
	70002843	1	Seal, Dipstick Tube	
406	70002845	1	Pump, Oil (Not Shown)	
	70002846	1	O-Ring, Oil Pump (Not Shown)	
407	70002849	1	Pump, Fuel Injection	
	70002847	1	O-Ring, Fuel Injection Pump Flange	
	70002848	1	Gasket, Fuel Injection Pump	
	70002850	1	Solenoid, Fuel Shut-Off	
408	Not Used			
409	7026802	1	Flywheel	
	7026803	1	Gear, Flywheel	
	7026804	1	Gasket (Not Shown - Between Flywheel Housing & Engine Block)	
	7026805	1	Seal, Rear Main (Not Shown - Rear of Flywheel Housing)	
	7026807	1	Seal, Front Main (Located in Front Housing)	
410	7026800	1	Cap Oil Filler (Top of Valve Cover)	
411	7026806	1	Cap, Filler (Front Side of Engine)	
412	7026810	1	V-Belt	
413	7026811	1	Filter, Oil	

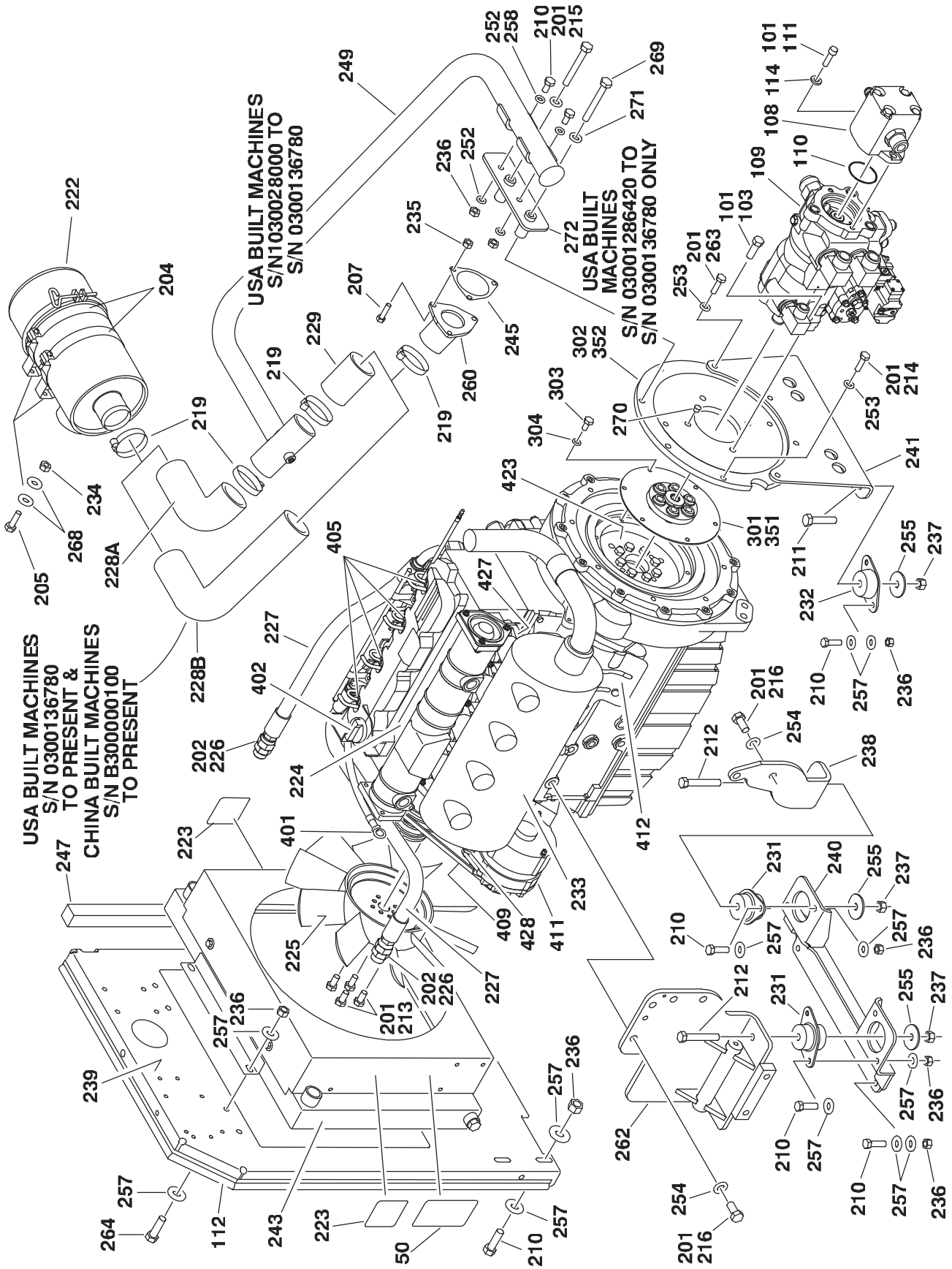
## SECTION 2 TURNTABLE

**FIGURE 2-10. CATERPILLAR ENGINE INSTALLATION (USA BUILT MACHINES S/N 0300140369 TO PRESENT & CHINA BUILT MACHINES S/N B300000100 TO PRESENT)**

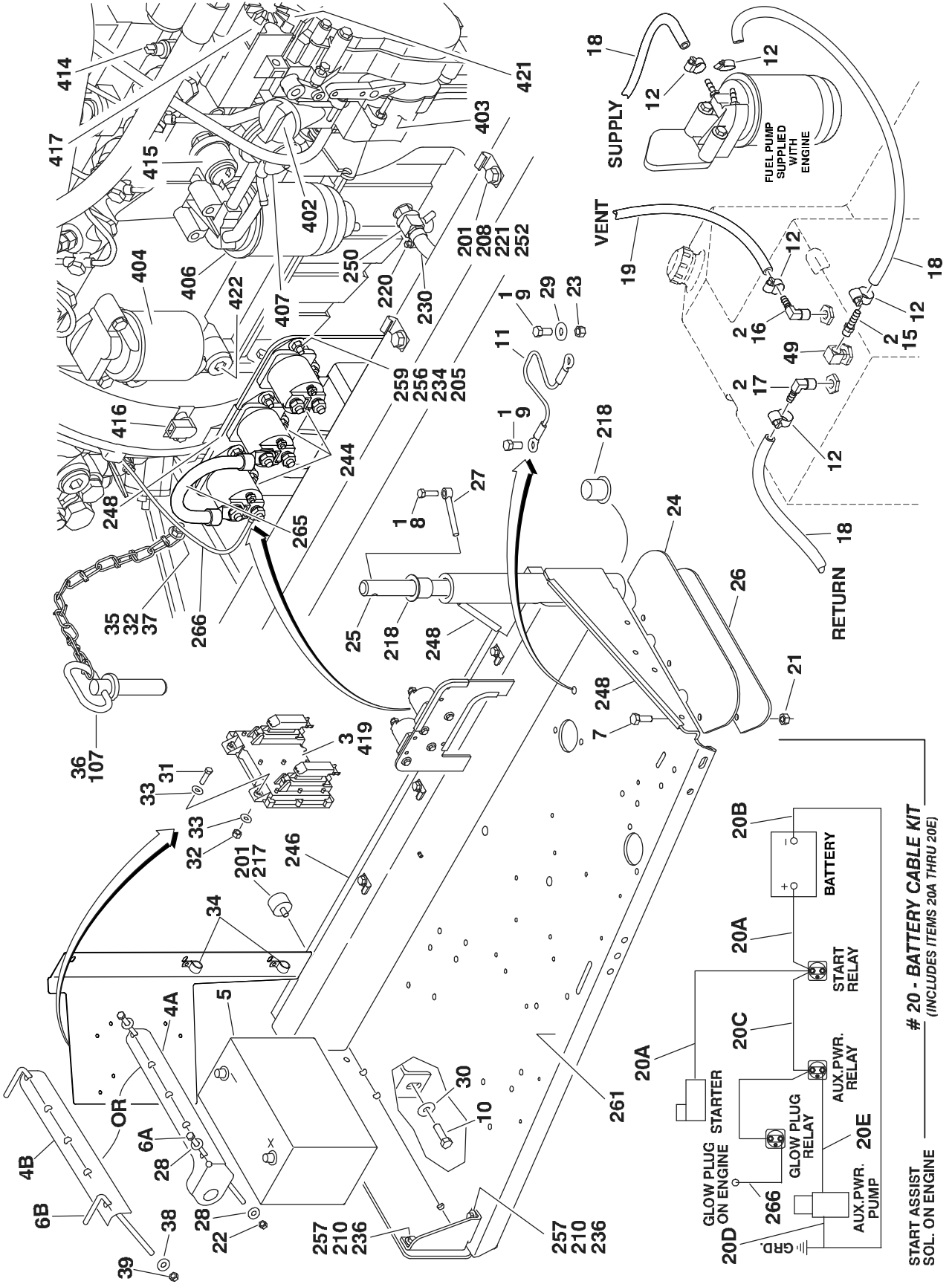
ITEM #	PART NUMBER	QTY.	DESCRIPTION	REV.
		Ref.	<b>Note: Machines with SkyPower use Remote Mounted Oil Filter - See Section 10. The same oil filter is used for all applications.</b>	
	7026812	1	O-Ring (Between Bolt & Oil Filter Bracket)	
	7026813	1	O-Ring (Between Oil Filter Bracket & Engine Block)	
414	7026819	1	Engine Cooler Assembly (Not Shown)	
	7026816	2	O-Ring (Between Cover & Cooler)	
	7026817	4	O-Ring (Between Cover & Cooler)	
415	7026822	1	Thermostat	
	7026821	1	Gasket (Between Regulator & Thermostat Housing)	
	7026820	1	Gasket (Between Regulator & Engine Head)	
416	7026814	1	Relief Valve, Oil Pressure	
	7026815		Gasket, Relief Valve	
417	See Note	4	Injector, Fuel (Not Shown) <b>(Note: Not Available for Purchase)</b>	
	70002763	4	Gasket, Fuel Line (Not Shown)	
418	7026831	1	Alternator	
419	7026832	1	Plug, Glow (Not Shown)	
420	7026833	1	Starter (Not Shown - Located on other side of engine)	
421	7026826	1	Gasket, Exhaust Manifold to Cylinder Head (Not Shown)	
	7026827	1	Gasket, Exhaust Manifold to Exhaust Pipe (Not Shown)	
	70002852	4	Stud, Exhaust Manifold (Not Shown)	
422	7026829	1	Gasket, Intake Manifold to Cylinder Head (Not Shown)	
	7026828	1	Gasket, Intake Manifold to Intake Tube (Not Shown)	
423	7026808	1	Plug, Oil Pan (Not Shown)	
	7026809	1	Gasket, Oil Plug	
424	70002851	1	Gasket Kit (Not Shown)	
425	4569371	1	Tube, Intake	

# SECTION 2 TURNTABLE

FIGURE 2-11. DEUTZ ENGINE INSTALLATION



# SECTION 2 TURNTABLE



## SECTION 2 TURNTABLE

**FIGURE 2-11. DEUTZ ENGINE INSTALLATION**

ITEM #	PART NUMBER	QTY.	DESCRIPTION	REV.
		Ref.	<b>DEUTZ ENGINE INSTALLATIONS</b>	
		Ref.	<b>Without Arctic Package</b>	
		Ref.	<b>USA Built Machines</b>	
	0274299	Ref.	<b>Tier II Engines (S/N 0300087000 To S/N 0300126420)</b>	I
	1001098266	Ref.	<b>Tier III Engines (S/N 0300126420 To S/N 0300169953)</b>	D
	1001098266	Ref.	<b>Tier III Engines (All Specs Except ANSI &amp; CSA Specs S/N 0300169953 to Present)</b>	D
	1001137751	Ref.	<b>Tier IVi-Flex Engines (ANSI &amp; CSA Specs S/N 0300169953 to Present)</b>	B
		Ref.	<b>China Built Machines</b>	
	1001098266	Ref.	<b>Tier III Engines (S/N B300000100 To Present)</b>	D
		Ref.	<b>With Arctic Package</b>	
		Ref.	<b>USA Built Machines</b>	
	0275142	Ref.	<b>Tier II Engines (S/N 0300087000 To S/N 0300126420)</b>	E
	1001098474	Ref.	<b>Tier III Engines (S/N 0300126420 To S/N 0300169953)</b>	D
	1001098474	Ref.	<b>Tier III Engines (ANSI Export Specs S/N 0300169953 to Present)</b>	D
	1001137754	Ref.	<b>Tier IVi-Flex Engines (ANSI &amp; CSA Specs S/N 0300169953 to Present)</b>	B
		Ref.	<b>China Built Machines</b>	
	1001098474	Ref.	<b>Tier III Engines (S/N B300000100 To Present)</b>	D
1	0100011	A/R	Compound, Locking	
2	0100020	A/R	Sealant, Pipe	
3	0100048	A/R	Grease, Dielectric	
4		1	Hold-Down, Battery Options:	
4A	0181727		USA Built Machines S/N 0300087000 to S/N 0300110504	
4B	91401281		USA Built Machines S/N 0300110504 to Present	
4B	91401281		China Built Machines S/N B300000100 to Present	
5	0400075	1	Battery	
6		2	Bolt, Battery Hold-Down Options:	
6A	0630498		USA Built Machines S/N 0300087000 to S/N 0300110504	
6B	1001093382		USA Built Machines S/N 0300110504 to Present	
6B	1001093382		China Built Machines S/N B300000100 to Present	
7	0641507	A/R	Bolt 5/16in-18NC x 7/8in	
8	0641610	1	Bolt 3/8in-16NC x 1-1/4in	
9	0641808	2	Bolt 1/2in-13NC x 1in	
10	0642010	1	Bolt 5/8in-11NC x 1-1/4in	
11	1060637	1	Cable, Lanyard	
12	1320022	5	Clamp, Hose	
13	1701505	1	Decal - Diesel (Not Shown - Located on Hood)	
14	Not Used			
15	2180348	1	Fitting, Straight Barbed	
16	2220313	1	Fitting, 90°	
17	2221176	1	Fitting, Straight Barbed	

## SECTION 2 TURNTABLE

**FIGURE 2-11. DEUTZ ENGINE INSTALLATION (CONTINUED)**

ITEM #	PART NUMBER	QTY.	DESCRIPTION	REV.
18	2720058	A/R 30ft/9.2m  24ft/7.3m 24ft/7.3m	Hose Options: USA Built Machines S/N 0300087000 to S/N 0300126420 USA Built Machines S/N 0300126420 to Present China Built Machines S/N B300000100 to Present	
19	2750532	6ft/1.8m	Hose	
20	2902296	1 Ref.	Battery Cable Kit <b>Note: 2902296 Rev A version is no longer available. Verify weather machine is equipped with 2 or 3 relays on the engine tray. If there are 3 relays, purchase latest revision of 2902296 kit. If there are 2 relays, purchase individual items as replacement.</b>	D
20A		1	Cable, Battery (Red)	
	1001116241		Machines with 2 Relays on Engine Tray (was p/n 7027000)	
	1001116240		Machines with 3 Relays on Engine Tray (was p/n 7027000)	
20B	7027004	1	Cable, Battery (Black)	
20C	7027001	1	Cable (Red) (No Longer Part of 2902296 Kit.)	
20D	7027003	1	Cable (Black)	
20E	7027002	1	Cable (Red)	
21	3311505	A/R	Locknut 5/16in-18NC	
22	3311605	A/R	Locknut 3/8in-16NC	
23	3311801	1	Nut 1/2in-13NC	
24	3380428	1	Panel, Rubber	
25	3422448	1	Pin, Pivot	
26	3539956	1	Plate, Support	
27	3841143	1	Pin, Keeper	
28	4751600	A/R	Flatwasher 3/8in Regular	
29	4751800	1	Flatwasher 1/2in Regular	
30	4752000	1	Flatwasher 5/8in Regular	
31	0641409	4	Bolt 1/4in-20NC x 1-1/8in	
32	3311405	A/R	Locknut 1/4in-20NC	
33	4711400	8	Flatwasher 1/4in Thin	
34	85941017	2	Clamp	
35	0641407	1	Bolt 1/4in-20NC x 7/8in	
36		1	Pin, Hitch Options:	
	See Note		USA Built Machines S/N 0300087000 to S/N 0300101241 ( <b>Note: Use Item 107</b> )	
	3422533		USA Built Machines S/N 0300101241 to Present	
	3422533		China Built Machines S/N B300000100 to Present	
37	4751400	1	Flatwasher 1/4in Regular	
38	4751500	A/R	Flatwasher 5/16in Regular	
39	88521205	2	Locknut 5/16in-18NC (was p/n 3311505)	
40 to 48	Not Used			
49	7019658	1	Fitting, 90° with Pick-Up Tube (Part of Fuel Tank)	
50		1	Decal - Warning Explosion/Fire Options:	
	1704972		ANSI Spec	
	1706098		Australian & CE Spec	
	1706059		Brazilian Spec	
	1706060		Chinese Spec	

## SECTION 2 TURNTABLE

FIGURE 2-11. DEUTZ ENGINE INSTALLATION (CONTINUED)

ITEM #	PART NUMBER	QTY.	DESCRIPTION	REV.
50 Cont'd	1706064		CSA Spec	
	1706062		Japanese Spec	
	1706061		Korean Spec	
	1706063		Spanish Language	
		Ref.	<b>Note: Arctic Package Items 51 - 62 Not Shown - Used on Arctic Machines Only</b>	
51	1060625	1	Cable, Immersion Heater (Located on bottom of Hydraulic Oil Tank)	
52	1060626	1	Cord, 3 Way Extension (Located on Left Front of Engine)	
53	1320223	2	Clamp	
54	0641608	1	Bolt 3/8in-16NC x 1in	
55	4711600	2	Flatwasher 3/8in Thin	
56	1702941	1	Decal - Battery Heater (Located on Battery Heater)	
57	1702942	1	Decal - Engine Block Heater (Located on Right Side of Engine)	
58	1702943	1	Decal - Hydraulic Tank Heater (Located on bottom of Hydraulic Oil Tank)	
59	1702944	1	Decal - Heater Cord (Located on Left Front of Engine)	
60	2580024	1	Heater, Battery (Located on Battery)	
61	2580050	1	Heater, Hydraulic Tank (Located on bottom of Hydraulic Oil Tank)	
62	3980007	1	Seat, Battery (Located under Battery)	
		Ref.	<b>ENGINE/PUMP SUBASSEMBLIES</b>	
		Ref.	<b>Without Arctic Package</b>	
		Ref.	<b>USA Built Machines</b>	
	2000280	Ref.	<b>Tier II Engines (S/N 0300087000 To S/N 0300126420)</b>	E
	1001139358	Ref.	<b>Tier III Engines (S/N 0300126420 To S/N 0300169953) (was p/n 1001094103)</b>	B
	1001139358	Ref.	<b>Tier III Engines (All Specs Except ANSI &amp; CSA Specs S/N 0300169953 to Present)</b>	B
	1001137814	Ref.	<b>Tier IVi-Flex Engines (ANSI &amp; CSA Specs S/N 0300169953 to Present)</b>	B
		Ref.	<b>China Built Machines</b>	
	1001139358	Ref.	<b>Tier III Engines (S/N B300000100 To Present) (was p/n 1001094103)</b>	B
		Ref.	<b>With Arctic Package</b>	
		Ref.	<b>USA Built Machines</b>	
	2000366	Ref.	<b>Tier II Engines (S/N 0300087000 To S/N 0300126420)</b>	C
	1001139359	Ref.	<b>Tier III Engines (S/N 0300126420 To S/N 0300169953) (was p/n 1001098475)</b>	B
	1001139359	Ref.	<b>Tier III Engines (ANSI Export Specs S/N 0300169953 to Present)</b>	B
	1001137815	Ref.	<b>Tier IVi-Flex Engines (ANSI &amp; CSA Specs S/N 0300169953 to Present)</b>	B
		Ref.	<b>China Built Machines</b>	
	1001139359	Ref.	<b>Tier III Engines (S/N B300000100 To Present) (was p/n 1001098475)</b>	B
101	0100011	A/R	Compound, Locking	
102	Not Used			

## SECTION 2 TURNTABLE

**FIGURE 2-11. DEUTZ ENGINE INSTALLATION (CONTINUED)**

ITEM #	PART NUMBER	QTY.	DESCRIPTION	REV.
103	0641812	2	Bolt 1/2in-13NC x 1-1/2in	
104	Not Used			
105	3020016	3.75gal	Oil, Motor (Not Shown)	
106	Not Used			
107		1	Pin, Hitch Options:	
	3422532		USA Built Machines S/N 0300087000 to S/N 0300101241	
	See Note		USA Built Machines S/N 0300101241 to Present <b>(Note: Use Item 36)</b>	
	See Note		China Built Machines S/N B300000100 to Present <b>(Note: Use Item 36)</b>	
108	3600395	1	Gear Pump Assembly with Fittings (See Figure 2-16 for Breakdown)	
109	Use 3600396	1	Piston Pump Assembly with Fittings Options (See Figure 2-15 for Breakdown) (was p/n1001117799):	
110	3790152	1	O-Ring	
111	3931620	2	Capscrew 3/8in-16NC x 1-1/4in	
112	3960389	5ft/1.5m	Seal	
113	Not Used			
114	4891600	2	Flatwasher 3/8in Hardened	
	Ref.		<b>ENGINE ASSEMBLIES</b>	
	Ref.		<b>Without Arctic Package</b>	
	Ref.		<b>USA Built Machines</b>	
	2000279	Ref.	<b>Tier II Engines (S/N 0300087000 to S/N 0300092727)</b>	E
	2000342	Ref.	<b>Tier II Engines (S/N 0300092727 to S/N 0300126420)</b>	A
	1001094102	Ref.	<b>Tier III Engines (S/N 0300126420 To S/N 0300169953)</b>	H
	1001094102	Ref.	<b>Tier III Engines (All Specs Except ANSI &amp; CSA Specs S/N 0300169953 to Present)</b>	G
	1001137749	Ref.	<b>Tier IVi-Flex Engines (ANSI &amp; CSA Specs S/N 0300169953 to Present)</b>	B
	Ref.		<b>China Built Machines</b>	
	1001094102	Ref.	<b>Tier III Engines (S/N B300000100 To Present)</b>	G
	Ref.		<b>With Arctic Package</b>	
	Ref.		<b>USA Built Machines</b>	
	2000365	Ref.	<b>Tier II Engines (S/N 0300087000 To S/N 0300126420)</b>	A
	1001098476	Ref.	<b>Tier III Engines (S/N 0300126420 To S/N 0300169953)</b>	H
	1001098476	Ref.	<b>Tier III Engines (ANSI Export Specs S/N 0300169953 to Present)</b>	H
	1001137752	Ref.	<b>Tier IVi-Flex Engines (ANSI &amp; CSA Specs S/N 0300169953 to Present)</b>	B
	Ref.		<b>China Built Machines</b>	
	1001098476	Ref.	<b>Tier III Engines (S/N B300000100 To Present)</b>	H
	0256690	Ref.	<b>MUFFLER INSTALLATION - CATALYTIC</b>	—
201	0100011	A/R	Compound, Locking	
202	0100020	A/R	Sealant, Pipe	
203	Not Used			
204	0340041	2	Band, Air Cleaner	
205	0641407	A/R	Bolt 1/4in-20NC x 7/8in	
206	Not Used			



## SECTION 2 TURNTABLE

**FIGURE 2-11. DEUTZ ENGINE INSTALLATION (CONTINUED)**

ITEM #	PART NUMBER	QTY.	DESCRIPTION	REV.
207	0641510	3	Bolt 5/16in-18NC x 1- 1/4in	
208	0641606	3	Bolt 3/8in-16NC x 3/4in	
209	Not Used			
210	0641610	A/R	Bolt 3/8in-16NC x 1-1/4in	
211	0641818	2	Bolt 1/2in-13NC x 2-1/4in	
212	0641826	2	Bolt 1/2in-13NC x 3-1/4in	
213	0700808	4	Bolt M8 x 16mm	
214	0701012	A/R	Bolt M10 x 25mm	
215	0701015	A/R	Bolt M10 x 35mm	
216	0711414	6	Bolt M14 x 130mm	
217	0940070	1	Bumper	
218	0961986	2	Bushing, Flanged	
219	1320016	A/R	Clamp	
220	1320022	A/R	Clamp, Hose	
221	1320223	A/R	J-Clip	
222	1340060	1	Air Cleaner Assembly Including Filter Element	
	7012664	1	Element, Filter (Not Shown)	
223	1703162	2	Decal - Caution Fan Blade	
224		1	Engine, Deutz Options: USA Built Machines Tier II (S/N 0300087000 to S/N 0300092727) Tier II (S/N 0300092727 to S/N 0300126420) Tier III (S/N 0300126420 to S/N 0300169953) Tier III (All Specs Except ANSI & CSA Specs S/N 0300169953 to Present) Tier IVi-Flex (ANSI & CSA Specs S/N 0300169953 to Present) China Built Machines Tier III (S/N B300000100 to Present)	
	2000274			
	2000339			
	1001098211			
	1001098211			
	1001137748			
	1001098211			
225	2060025	1	Fan	
226	2220451	2	Fitting, Straight	
227	2720398	2	Hose, Oil Cooler	
228		1	Elbow, Rubber Options: USA Built Machines S/N 0300087000 to S/N 0300136780	
228A	2720434			
228B	1001091179		USA Built Machines S/N 0300136780 to Present	
228B	1001091179		China Built Machines S/N B300000100 to Present	
229	2720449	1	Hose, Air Cleaner (USA Built Machines S/N 0300087000 to S/N 0300136780 Only)	
230	2750532	1ft/30cm	Hose, Oil Drain (was p/n 1001091892)	
231	3200362	2	Mount, Motor	
232	3200406	2	Mount, Motor	
233		1	Muffler Options: Muffler, Catalytic Muffler, Spark Arresting Clamp Options: Muffler p/n 3220103 Muffler p/n 3220104	
	3220104			
	3220103			
	1320176			
	70001017			
	7024398	1	Tube, Exhaust	
	7024560	1	Plug, Brass	
234	3311405	A/R	Locknut 1/4in-20NC	

## SECTION 2 TURNTABLE

**FIGURE 2-11. DEUTZ ENGINE INSTALLATION (CONTINUED)**

ITEM #	PART NUMBER	QTY.	DESCRIPTION	REV.
235	3311505	3	Locknut 5/16in-18NC	
236	3311605	A/R	Locknut 3/8in-16NC	
237	3311805	4	Locknut 1/2in-13NC	
238	3537416	1	Plate, Engine Mounting (Front Right Side)	
239	3539872	1	Plate, Radiator Mounting	
240	3539971	1	Plate, Engine Mounting (Front Bottom)	
241		1	Plate, Engine Mounting (Rear) Options:	
	3574978		USA Built Machines S/N 0300087000 to S/N 0300126420	
	1001093943		USA Built Machines S/N 0300126420 to Present (Not Shown)	
242	Not Used			
243		1	Radiator Options:	
	3620033		USA Built Machines S/N 030087000 to S/N 0300171710	
	3620033		China Built Machines S/N B300000100 to S/N B300000766	
	1001150998		USA Built Machines S/N 0300171710 to Present	
	1001150998		China Built Machines S/N B300000766 to Present	
244	3740067	A/R	Relay Options:	
		2	USA Built Machines S/N 0300087000 to S/N 0300092727	
		3	USA Built Machines S/N 0300092727 to Present	
		3	China Built Machines S/N B300000100 to Present	
245	3960407	1	Gasket, Air Intake	
246	3960468	1	Seal	
247	3960469	1	Seal	
248	4060805	37in/1m	Flex-Trim	
249		1	Tube, Tuning Options:	
	4569171		USA Built Machines S/N 0300087000 to S/N 0300126420	
	1001094521		USA Built Machines S/N 0300126420 to S/N 0300136780	
	Not Required		USA Built Machines S/N 0300136780 to Present	
	Not Required		China Built Machines	
250	4640751	1	Valve, Oil Drain (was p/n 1001104308)	
251	Not Used			
252	4711600	A/R	Flatwasher 3/8in Thin	
253	4711700	A/R	Flatwasher 7/16in Thin	
254		6	Flatwasher Options:	
	4711900		Flatwasher 9/16in Thin	
	4812200		Flatwasher M14	
255	4740274	4	Washer, Snubbing	
256	4711400	A/R	Flatwasher 1/4in Thin (was p/n 4751400)	
257	4751600	A/R	Flatwasher 3/8in Regular	
258	4751700	A/R	Flatwasher 7/16in Regular	
259	4791400	A/R	Starwasher 1/4in	
260	4845395	1	Adapter, Air Intake	
261		1	Tray, Engine Options:	
	4845404		USA Built Machines S/N 0300087000 to S/N 0300126420	
	1001094321		USA Built Machines S/N 0300126420 to Present (Not Shown)	
	1001094321		China Built Machines S/N B300000100 to Present (Not Shown)	
262	4846566	1	Plate, Engine Mounting (Front Left Side)	
263		4	Bolt Options:	
	0701014		Bolt M10 x 30mm	
	0701015		Bolt M10 x 35mm	

## SECTION 2 TURNTABLE

FIGURE 2-11. DEUTZ ENGINE INSTALLATION (CONTINUED)

ITEM #	PART NUMBER	QTY.	DESCRIPTION	REV.
264		A/R	Bolt Options:	
	0641610	4	Bolt 3/8in-16NC x 1-1/4in	
	0641609	6	Bolt 3/8in-16NC x 1-1/8in	
265	1060904	1	Cable, Jumper (USA Built Machines S/N 0300092727 to Present & All China Built Machines)	
266	4923379	1	Harness, Glow Plugs (USA Built Machines S/N 0300092727 to Present & All China Built Machines)	
267		3.75gal	Oil, Motor Options (Not Shown):	
	3020016		Oil, Motor 15W-40 (Without Arctic Package))	
	3020044		Oil, Motor 0W-40 (With Arctic Package)	
268	4751400	8	Flatwasher 1/4in Regular	
269	0711025	A/R	Bolt M10 x 85mm	
270	3520054	A/R	Plug, Hole	
271	4891600	A/R	Flatwasher 3/8in Hardened	
272	1001098916	1	Support, Resonator (USA Built Machines S/N 0300126420 to S/N 0300136780 Only)	
		Ref.	<b>Note: Arctic Package Item 273 Not Shown - Used on Arctic Machines Only</b>	
273	2580062	1	Heater, Engine Block	
	0256847	Ref.	<b>PUMP COUPLING INSTALLATION (USA BUILT MACHINES S/N 0300087000 TO S/N 0300126420)</b>	2
301	1660234	1	Coupling, Hayes	
302	0080163	1	Plate, Pump Adapter	
303	0700810	63	Bolt Metric M8 x 20mm	
304	4831900	6	Lockwasher M8	
305 to 306	Not Used			
307	3020021	A/R	Grease, Coupling (Not Shown)	
	2902065	Ref.	<b>KIT PUMP COUPLING AND MOUNTING PLATE (USA BUILT MACHINES S/N 0300126420 TO PRESENT &amp; CHINA BUILT MACHINES S/N B300000100 TO PRESENT)</b>	E
351	70000793	1	Coupling, Hayes	
352	Use 2902065	1	Plate, Pump Adapter	
		Ref.	<b>ENGINE COMPONENTS</b>	
		Ref.	<b>USA Built Machines</b>	
	2000274	Ref.	<b>Tier II (S/N 0300087000 to S/N 0300092727)</b>	B
	2000339	Ref.	<b>Tier II (S/N 0300092727 to S/N 0300126420)</b>	B
	1001098211	Ref.	<b>Tier III (S/N 0300126420 to S/N 0300169953)</b>	A
	1001098211	Ref.	<b>Tier III (All Specs Except ANSI &amp; CSA Specs S/N 0300169953 to Present)</b>	A
	1001137748	Ref.	<b>Tier IVi-Flex (ANSI &amp; CSA Specs S/N 0300169953 to Present)</b>	B
		Ref.	<b>China Built Machines</b>	
	1001098211	Ref.	<b>Tier III (S/N B300000100 to Present)</b>	A
401	7026631	1	Dipstick	
	7020487	1	Seal, Dipstick	

## SECTION 2 TURNTABLE

**FIGURE 2-11. DEUTZ ENGINE INSTALLATION (CONTINUED)**

ITEM #	PART NUMBER	QTY.	DESCRIPTION	REV.
402	7020465	1	Cap, Filler	
403	70000045	1	Pump, Oil Lube	
	70001850		Tier II - 2000274 & 2000339 Engines Tier III - 1001098211 Engines & Tier IVi-Flex - 1001137748 Engines	
	7020468	1	Seal Between Oil Pump & Engine Block (Not Shown)	
404	7016331	1	Filter, Oil	
405	70003478	4	Injector, Fuel	
		4	Pump, Injector Options: Injector Pumps for Tier II - 2000274 & 2000339 Engines	
	7027246		Series A Injector	
	7027608		Series B Injector	
	7027609		Series C Injector	
	7027610		Series D Injector	
			Injector Pumps for Tier III - 1001098211 Engines & Tier IVi-Flex - 1001137748 Engines	
	70000912		Series A Injector	
	70000913		Series B Injector	
	70000914		Series C Injector	
	70000915		Series D Injector	
		4	Gasket Options (1 Per Injector):	
	7020447		Tier II - 2000274 & 2000339 Engines	
	See Note		Tier III - 1001098211 Engines & Tier IVi-Flex - 1001137748 Engines <b>(Note: Not Available for Purchase)</b>	
406	8320270	1	Filter, Fuel (was p/n 7016328)	
407	70000916	1	Pump Fuel Supply (Includes Seals, Hand Pump & Repair Kit)	
	70001435	1	Repair Kit - Fuel Pump	
		1	O-Seal Options Between Fuel Pump & Engine Block (Not Shown):	
	7020411		Tier II - 2000274 & 2000339 Engines	
	70000917		Tier III - 1001098211 Engines & Tier IVi-Flex - 1001137748 Engines	
	70000919	1	Hand Pump	
	70000918	1	Ring, Sealing Between Fuel Pump & Hand Pump (Not Shown)	
408	7020449	4	Gasket, Intake Manifold (Not Shown)	
409	7020408	1	V-Belt	
410	7020471	4	Gasket, Exhaust Manifold to Engine Block (Not Shown)	
	See Note	1	Gasket, Exhaust Manifold to Exhaust Pipe (Not Shown) <b>(Note: Not Available for Purchase)</b>	
411	7000663	1	Alternator	
		1	Regulator, Voltage Options (Not Shown):	
	7020464		Tier II - 2000274 & 2000339 Engines	
	70001868		Tier III - 1001098211 Engines & Tier IVi-Flex - 1001137748 Engines	
	70001866		Seal, Voltage Regulator (Tier III - 1001098211 Engines & Tier IVi-Flex - 1001137748)	
412	7020479	1	Starter	
	7026608	1	Relay	
413	7027793	1	Plug- In Connector (Not Shown - See Section 7)	

## SECTION 2 TURNTABLE

FIGURE 2-11. DEUTZ ENGINE INSTALLATION (CONTINUED)

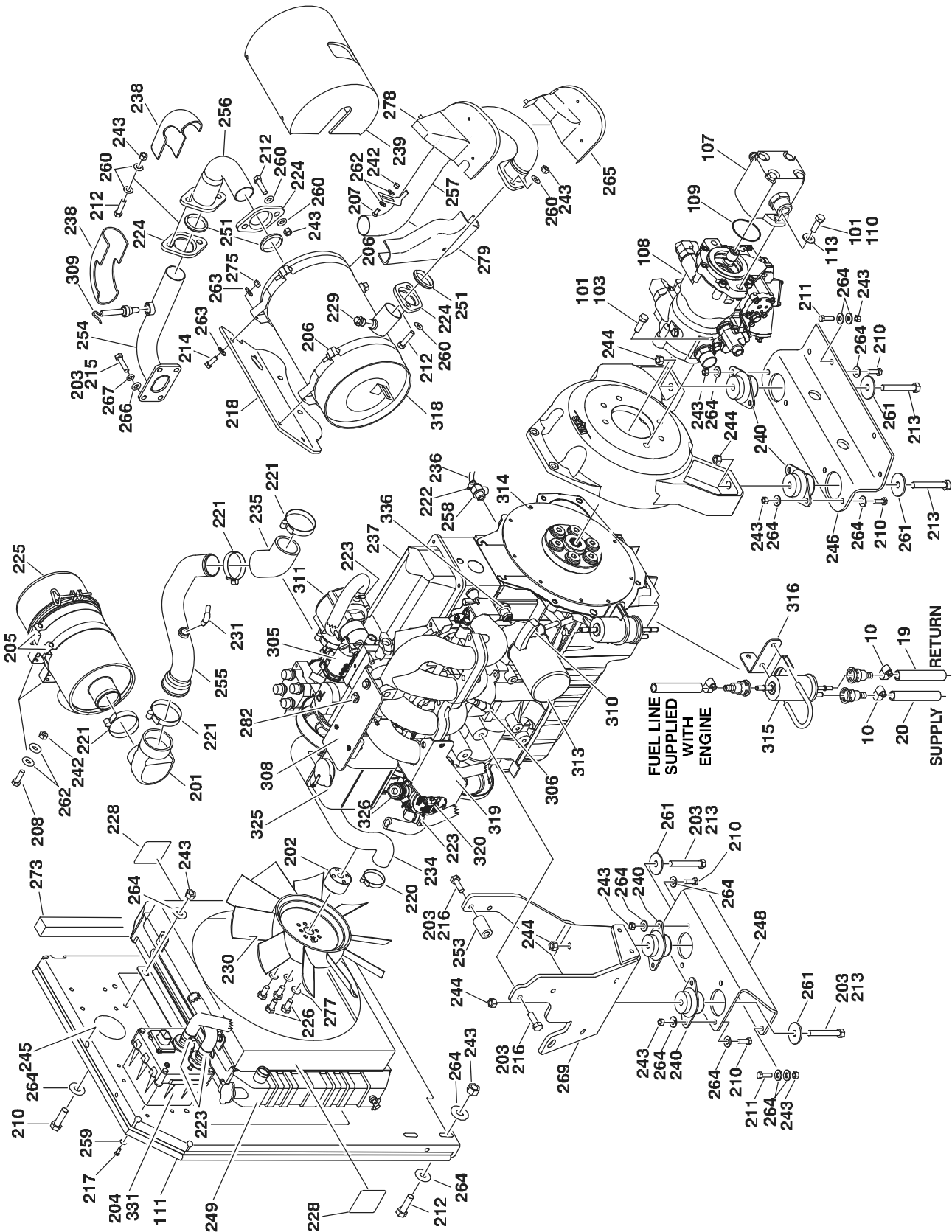
ITEM #	PART NUMBER	QTY.	DESCRIPTION	REV.
414	7027791	1	Transmitter, Temperature	
	See Note	1	Ring, Sealing ( <b>Note: Not Available for Purchase</b> )	
415	7027790	1	Sensor, Oil Pressure	
416	7024565	1	Sensor, Speed	
417	7027792	1	Throttle Actuator	
	7027276	2	Spring	
418		1	Sensor, Temperature (Not Shown)	
	7027236		Tier II - 2000274 & 2000339 Engines	
	See Note		Tier III - 1001098211 Engines & Tier IVi-Flex - 1001137748 Engines ( <b>Note: Not Available for Purchase</b> )	
419	7027795	1	Deutz EMR2 Controller, Module	
420	70000345	4	Plug, Glow (Not Shown - Use with p/n 2000339, 1001098211 & 1001137748 Engines only)	
421		1	Start Solenoid Options;	
	7027239		Tier II - 2000274 & 2000339 Engines	
	See Note		Tier III - 1001098211 Engines & Tier IVi-Flex - 1001137748 Engines ( <b>Note: Not Available for Purchase</b> )	
422	7020459	1	Thermostat & Spring	
	7020460	1	Spring	
423		1	Flywheel & Gear Rim Assembly Options:	
	70000264		Tier II - 2000274 & 2000339 Engines	
	70001870		Tier III - 1001098211 Engines & Tier IVi-Flex - 1001137748 Engines	
	7024579		Gear Rim Only	
424		1	Breather Valve Options (Not Shown - Located in Front Cover):	
	See Note		Tier II - 2000274 & 2000339 Engines ( <b>Note: Not Available for Purchase</b> )	
	70001847		Tier III - 1001098211 Engines & Tier IVi-Flex - 1001137748 Engines	
		1	O-Ring, Breather Valve Options (Not Shown):	
	See Note		Tier II - 2000274 & 2000339 Engines ( <b>Note: Not Available for Purchase</b> )	
	70001126		Tier III - 1001098211 Engines & Tier IVi-Flex - 1001137748 Engines	
425		1	Harness, Engine Options (Not Shown - See Section 7):	
	7027794		Tier II - 2000274 & 2000339 Engines	
	70001872		Tier III - 1001098211 Engines & Tier IVi-Flex - 1001137748 Engines	
426	7027796	1	Harness, EMR2 (Not Shown - See Section 7)	
427	70002200	1	Stud	
428	70002234	1	Bracket, Support	
429		1	Gasket, Head Options (Not Shown):	
	70003001		Gasket with 1 Notch	
	70003002		Gasket with 2 Notches	
	70003003		Gasket with 3 Notches	
430	70003623	1	Kit, Timing Belt/Idler (Not Shown)	

**FIGURE 2-11. DEUTZ ENGINE INSTALLATION (CONTINUED)**

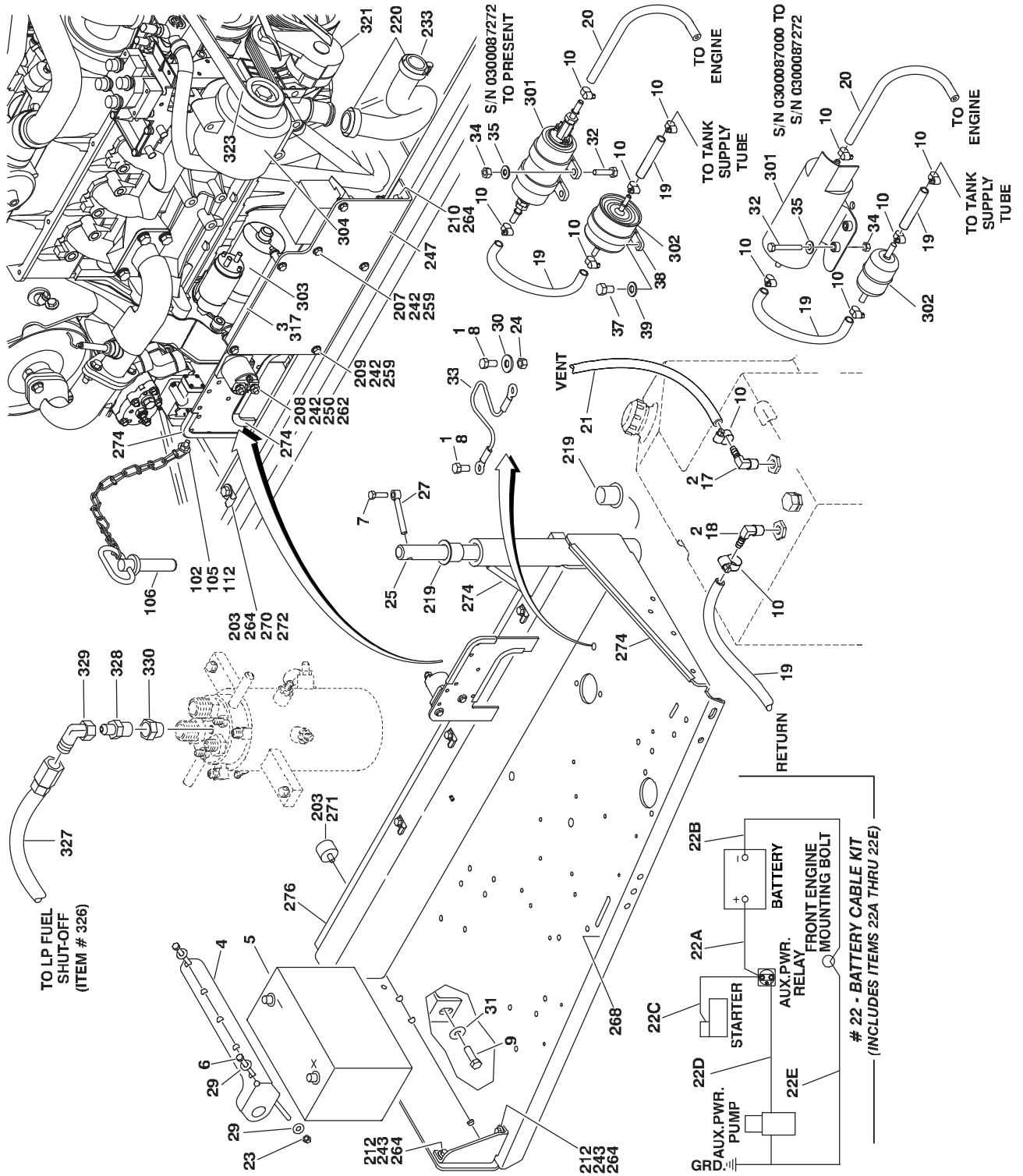
ITEM #	PART NUMBER	QTY.	DESCRIPTION	REV.

# SECTION 2 TURNTABLE

## FIGURE 2-12. FORD ENGINE INSTALLATION



# SECTION 2 TURNTABLE





## SECTION 2 TURNTABLE

**FIGURE 2-12. FORD ENGINE INSTALLATION**

ITEM #	PART NUMBER	QTY.	DESCRIPTION	REV.
		Ref.	<b>Note: Only Available on USA Built Machines.</b>	
	0274521	Ref.	<b>ENGINE INSTALLATION</b>	B
1	0100011	A/R	Compound, Locking	
2	0100020	A/R	Sealant	
3	0100048	A/R	Grease, Dielectric	
4	0181727	1	Angle, Battery Hold-Down	
5	0400075	1	Battery	
6	0630498	2	Bolt, Battery Hold-Down	
7	0641608	1	Bolt 3/8in-16NC x 1in	
8	0641808	2	Bolt 1/2in-13NC x 1in	
9	0642010	1	Bolt 5/8in-11NC x 1-1/4in	
10	1320022	7	Clamp (Not Shown - Located on Turntable to clamp fuel line)	
11	1701542	1	Decal - Gas (Not Shown - Located on Hood)	
12	1701543	1	Decal - LP (Not Shown - Located on Frame)	
13 to 16	Not Used			
17	2220313	1	Fitting, 90°	
18	2221176	1	Fitting, 90°	
19	2720058	12ft/3.7m	Hose, Fuel Line	
20	2720472	1	Hose, Fuel Line	
21	2720532	5ft/1.5m	Hose, Fuel Line	
22	2902297	1	Battery Cable Kit	A
22A	7027006	1	Cable, Battery (Red)	
22B	7027005	1	Cable, Battery (Black)	
22C	7027007	1	Cable (Red)	
22D	7027002	1	Cable (Red)	
22E	7027003	1	Cable (Black)	
23	3311605	2	Locknut 3/8in-16NC	
24	3311801	1	Nut 1/2in-13NC	
25	3422448	1	Pin	
26	3790012	1	O-Ring (Not Shown - Located at Platform Console Box)	
27	3841143	1	Pin, Keeper	
28	4360336	1	Switch, Toggle (Not Shown - Located at Platform Console Box)	
29	4751600	4	Flatwasher 3/8in Regular	
30	4751800	1	Flatwasher 1/2in Regular	
31	4752000	1	Flatwasher 5/8in Regular	
32		A/R	Bolt Options:	
	0641410	3	Bolt 1/4in-20NC x 1-1/4in (S/N 0300087000 to S/N 0300087272)	
	0641408	2	Bolt 1/4in-20NC x 1in (S/N 0300087272 to Present)	
33	1060637	1	Cable, Lanyard	
34	3311405	A/R	Locknut 1/4in-20NC	
35	4711400	A/R	Flatwasher 1/4in Thin	
36	Not Used			
37	0641504	1	Bolt 5/16in-18NC x 1/2in (S/N 0300087272 to Present)	
38	1321339	1	Clamp, Loop (S/N 0300087272 to Present)	
39	4711500	1	Flatwasher 5/16in Thin (S/N 0300087272 to Present)	

## SECTION 2 TURNTABLE

### FIGURE 2-12. FORD ENGINE INSTALLATION (CONTINUED)

ITEM #	PART NUMBER	QTY.	DESCRIPTION	REV.
	2000300	Ref.	<b>ENGINE AND PUMP ASSEMBLY</b>	A
101	0100011	A/R	Compound, Locking	
102	0641407	1	Bolt 1/4in-20NC x 7/8in	
103	0641812	2	Bolt 1/2in-13NC x 1-1/2in	
104	Not Used			
105	3311405	1	Locknut 1/4in-20NC	
106	3422532	1	Pin, Hitch	
107	3600395	1	Gear Pump Assembly with Fittings (See Figure 2-16 for Breakdown)	
108	3600396	1	Piston Pump Assembly with Fittings (See Figure 2-15 for Breakdown)	
109	3790012	1	O-Ring	
110	3931620	2	Bolt 3/8in-16NC x 1-1/4in	
111	3960389	5ft/1.5m	Seal	
112	4751400	1	Flatwasher 1/4in Regular	
113	4891600	2	Flatwasher 3/8in Hardened	
	2000299	Ref.	<b>ENGINE ASSEMBLY</b>	B
201	0080201	1	Adapter 90° Elbow	
202	0080214	1	Adapter, Fan Spacer	
203	0100011	A/R	Compound, Locking	
204	0100020	A/R	Sealant, Pipe	
205	0340041	2	Band, Air Cleaner	
206	0340046	2	Band, Muffler	
207	0641406	3	Bolt 1/4in-20NC x 3/4in	
208	0641408	6	Bolt 1/4in-20NC x 1in	
209	0641414	4	Bolt 1/4in-20NC x 1-3/4in	
210	0641608	14	Bolt 3/8in-16NC x 1in	
211	0641610	10	Bolt 3/8in-16NC x 1-1/4in	
212	0641612	8	Bolt 3/8in-16NC x 1-1/2in	
213	0641828	4	Bolt 1/2in-13NC x 3-1/2in	
214	0641507	4	Bolt 5/16in-18NC x 7/8in	
215	0701012	4	Bolt M10 x 25mm	
216	0701014	4	Bolt M10 x 30mm	
217	0760606	4	Bolt M6 x 12mm	
218	0903079	1	Bracket, Muffler	
219	0961986	2	Bushing, Flanged	
220	1320012	4	Clamp	
221	1320016	3	Clamp	
222	1320022	1	Clamp, Hose	
223	1320033	8	Clamp, Hose	
224	1321138	3	Plate, Exhaust Flange	
225	1340060	1	Air Cleaner Assembly Including Filter Element	
	7012664	1	Element, Filter (Not Shown)	
226	0700819	4	Bolt M8 x 55mm	
227	Not Used			
228	1703162	2	Decal - Caution Fan Blade	
229	1120588	1	Plug	

## SECTION 2 TURNTABLE

**FIGURE 2-12. FORD ENGINE INSTALLATION (CONTINUED)**

ITEM #	PART NUMBER	QTY.	DESCRIPTION	REV.
230	2060025	1	Fan	
231	2180467	1	Fitting	
232	Not Used			
233	2720435	1	Hose, Radiator (Bottom)	
234	2720436	1	Hose, Radiator (Upper)	
235	2720514	1	Hose, 45° Elbow	
236	2750532	6in/15cm	Hose, Oil Drain	
237	2000272	1	Engine (See Items 301-331 for Engine Components)	
238	2820173	2	Insulation, Exhaust (Elbow)	
239	2820180	1	Insulation, Catalytic Muffler	
240	3200362	4	Mount, Motor	
241	Not Used			
242	3311405	13	Locknut 1/4in-20NC	
243	3311605	30	Locknut 3/8in-16NC	
244	3311805	4	Locknut 1/2in-13NC	
245	3539872	1	Plate, Radiator Mounting	
246	3572280	1	Plate, Engine Mount	
247	3574162	1	Plate, ECM/Relay Mount	
248	3574504	1	Plate, Engine Mount	
249	3620040	1	Radiator	
250	3740067	1	Relay	
251	3960591	3	Gasket, Exhaust	
252	Not Used			
253	4566605	1	Tube, Spacer	
254	4569203	1	Tube, Exhaust	
255	4569173	1	Tube, Intake	
256	4569083	1	Tube, Exhaust	
257	4569092	1	Tube, Exhaust	
258	4640989	1	Valve, Oil Drain	
259	4711400	16	Flatwasher 1/4in Thin	
260	4711600	12	Flatwasher 3/8in Thin	
261	4740274	4	Washer, Snubbing	
262	4751400	12	Flatwasher 1/4in Regular	
263	4751500	8	Flatwasher 5/16in Regular	
264	4751600	51	Flatwasher 3/8in Regular	
265	2820186	1	Insulation, Exhaust (Shield)	
266	4812000	4	Flatwasher M10	
267	4832000	4	Lockwasher M10	
268	4845404	1	Tray, Engine	
269	4846806	1	Plate, Engine Mounting	
270	0641606	1	Bolt 3/8in-16NC x 3/4in	
271	0940070	1	Bumper	
272	1320223	3	J-Clip	
273	3960469	1	Seal	
274	4060805	37in/1m	Flex-Trim	
275	3311505	4	Locknut 5/16in-18NC	
276	3960468	1	Seal	
277	4831900	4	Lockwasher M8	
278	2820187	1	Insulation, Exhaust	

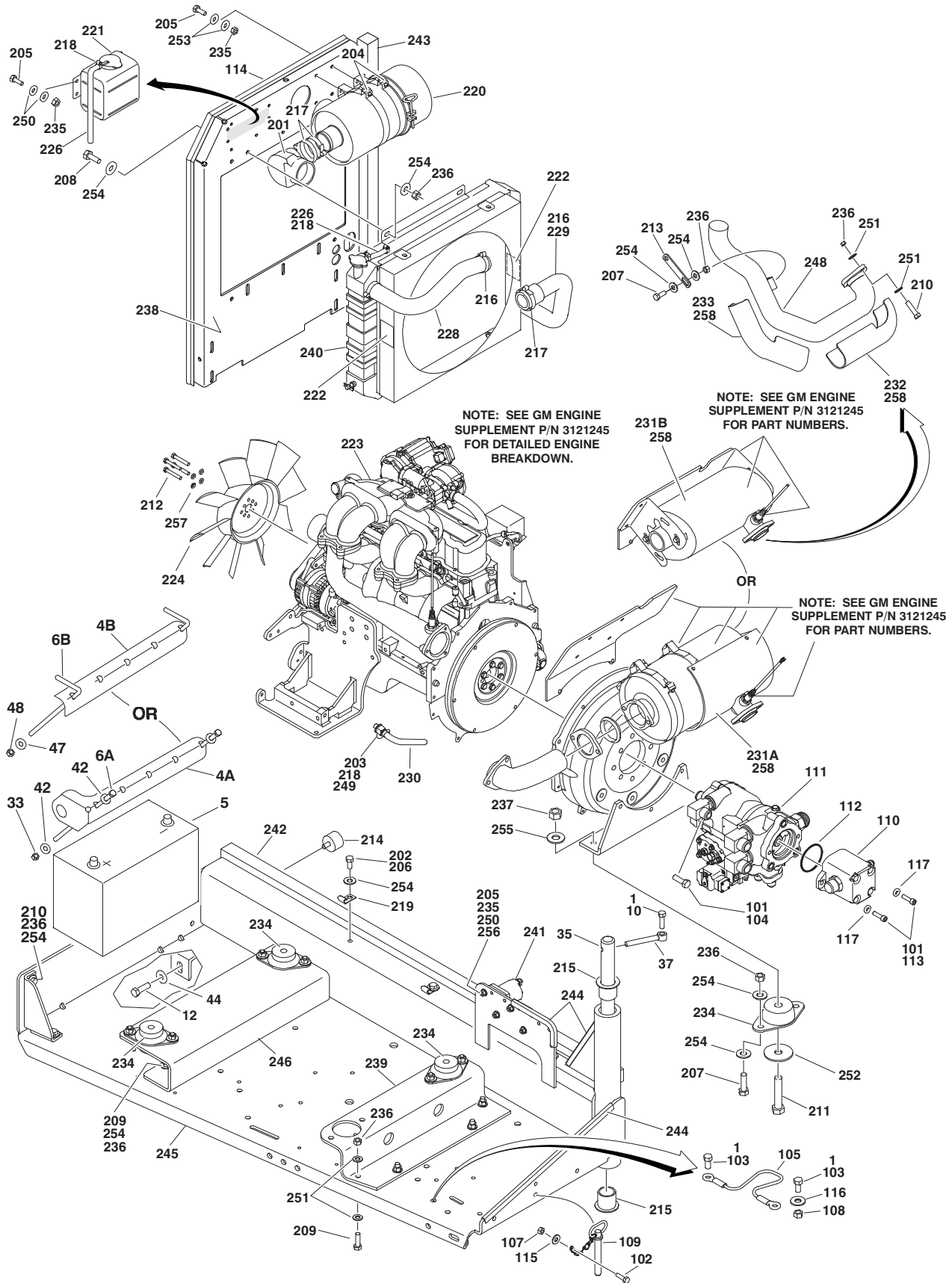
## SECTION 2 TURNTABLE

**FIGURE 2-12. FORD ENGINE INSTALLATION (CONTINUED)**

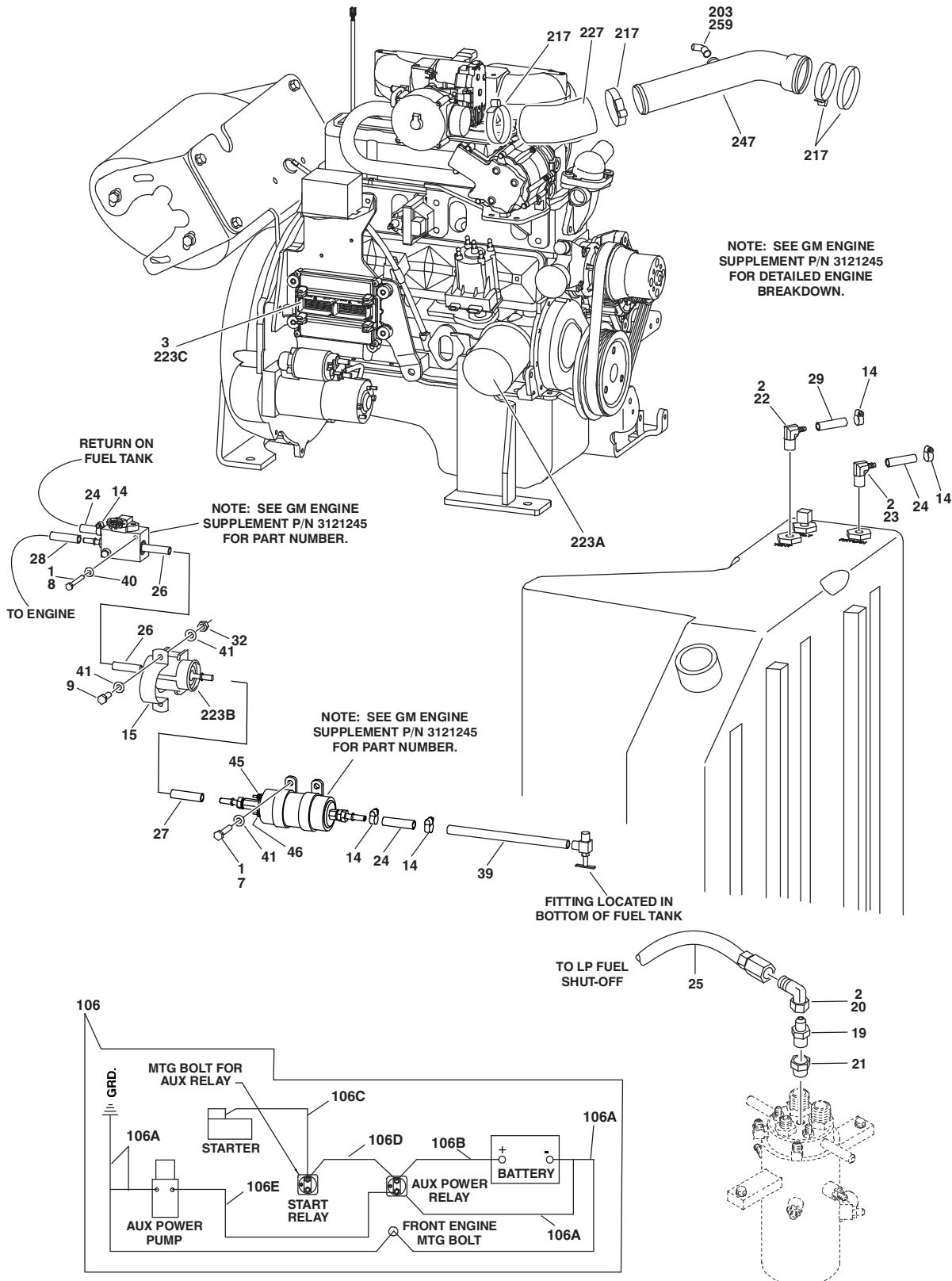
ITEM #	PART NUMBER	QTY.	DESCRIPTION	REV.
279	2820188	1	Insulation, Shell	
280	4920385	10ft/3m	Wire, Safety (Not Shown)	
281	2300004	A/R	Fluid, Anti-freeze (Not Shown)	
282	4711500	2	Flatwasher 5/16 Thin	
	2000272	Ref.	<b>ENGINE COMPONENTS</b>	B
301	7022133	1	Fuel Pump & Isolator Assembly	
302	91083218	1	Filter, Fuel (was p/n 7022135)	
303	7012679	1	Starter	
304	7019977	1	Alternator with Regulator & Pulley	
305	7023683	1	Actuator, Throttle	
	7027404	1	Gasket, Actuator (Not Shown)	
306	7019996	1	Sensor, Air Temperature	
307	7023681	1	Harness, Engine Control (Not Shown)	
308	7022139	1	Sensor, MAP	
309	7023682	1	Sensor, EGR	
310	2420187	1	Dipstick	
311	7027400	1	Mixer Assembly	
312	Not Used			
313	7021868	1	Filter, Oil (was p/n 7022147 & 7022173)	
314	1660250	1	Coupling, Pump	
315	7019993	1	Pressure Regulator & Filter Assembly	
316	0902539	1	Bracket	
317	1600374	1	Module, EPM	
318	3220134	1	Muffler	
319	0903010	1	Bracket, LP Regulator	
320	7023698	1	Regulator, LP	
321	70002567	1	Tensioner, Belt	
322	7022143	1	Gasket, Exhaust Manifold-Head (was p/n 7027401 - Not Shown)	
	70002307	1	Gasket, Exhaust Manifold to Pipe (Not Shown)	
323	7027402	1	Belt, Drive Belt	
324	7027405	4	Spark Plug (Not Shown)	
325	1580011	1	Bottle, Overflow	
326	7027409	1	LP Filter Shutoff W/Leads	
327	2720392	1	Hose (Connects to Item 326)	
328	2180418	1	Fitting, Straight	
329	2220064	1	Fitting, 90°	
330	2220005	1	Fitting, Reducer	
331	7023699	1	Megajector	
	70001690	1	Kit, Megajector Hose	
332	7019976	1	Flywheel (Not Shown)	
333	7022180	1	Gear, Ring (Not Shown - Located on Flywheel)	
334	7019925	1	PCV Valve (Not Shown - Located on Oil Vent)	
335	7022134	1	Harness, Fuel Pump (Not Shown)	
336	7022155	1	Sensor, Water Temperature	
337	7027410	1	Harness, Megajector (Not Shown)	
338	7027413	1	Harness, EPM Jumper (Not Shown)	
339	7019994	1	Sensor, Oxygen (Not Shown)	
340	7022150	1	Belt, Timing (Not Shown)	

# SECTION 2 TURNTABLE

**FIGURE 2-13. GM ENGINE INSTALLATION (USA BUILT MACHINES S/N 0300087000 TO S/N 0300139354)**



# SECTION 2 TURNTABLE



## SECTION 2 TURNTABLE

**FIGURE 2-13. GM ENGINE INSTALLATION (USA BUILT MACHINES S/N 0300087000 TO S/N 0300139354)**

ITEM #	PART NUMBER	QTY.	DESCRIPTION	REV.
		Ref.	<b>Note: Only Available on USA Built Machines.</b>	
		Ref.	<b>GM ENGINE INSTALLATION</b>	
	0275229	Ref.	<b>Machines without Arctic Package S/N 0300087000 to S/N 0300109298</b>	D
	1001091604	Ref.	<b>Machines without Arctic Package S/N 0300109298 to S/N 0300139354</b>	F
	1001101820	Ref.	<b>Machines with Arctic Package S/N 0300087000 to S/N 0300139354</b>	B
1	0100011	A/R	Compound, Locking	
2	0100020	A/R	Sealant, Pipe	
3	0100048	A/R	Grease, Dielectric	
4		1	Angle, Battery Hold Down Options:	
4A	0181727		S/N 0300087000 to S/N 0300110504	
4B	91401281		S/N 0300110504 to S/N 0300139354	
5	0400075	1	Battery (Wet)	
6		2	Bolt, Battery Hold Down Options:	
6A	0630498		S/N 0300087000 to S/N 0300110504	
6B	1001093382		S/N 0300110504 to S/N 0300139354	
7	0641505	2	Bolt 5/16in-18NC x 5/8in	
8	0641416	2	Bolt 1/4in-20NC x 2in	
9	0641506	2	Bolt 5/16in-18NC x 3/4in	
10	0641608	1	Bolt 3/8in-16NC x 1in	
11	Not Used			
12	0642010	1	Bolt 5/8in-11NC x 1-1/4in	
13	Not Used			
14	1320022	5	Clamp, Fuel Line	
15	1320323	1	Clamp	
16	1701542	1	Decal, Gas (Not Shown)	
17	1701543	1	Decal, LPG (Not Shown)	
18	Not Used			
19	2180418	1	Fitting, Straight	
20	2220005	1	Fitting, Straight	
21	2220064	1	Fitting, Adapter	
22	2220313	1	Fitting, 90° Barbed (S/N 0300087000 to S/N 0300109298 Only)	
23	2221176	1	Fitting, 90°	
24		5.25ft/1.6m	Hose, Fuel Line Options:	
	2720058		S/N 0300087000 to S/N 0300109298	
	1001091587		S/N 0300109298 to S/N 0300139354	
25	2720392	1	Hose, LP	
26	2720496	1	Hose, Hi Pressure Fuel Line	
27	2720566	1	Hose (6in/15cm Length)	
28	2720598	1	Hose (92in/234cm Length)	
29	2750532	5ft/1.5m	Hose (S/N 0300087000 to S/N 0300109298 Only)	
30 to 31	Not Used			
32	3311505	2	Locknut 5/16in-18NC	
33	3311605	A/R	Locknut 3/8in-16NC (S/N 0300087000 to S/N 0300110504)	

## SECTION 2 TURNTABLE

**FIGURE 2-13. GM ENGINE INSTALLATION (USA BUILT MACHINES S/N 0300087000 TO S/N 0300139354) (CONTINUED)**

ITEM #	PART NUMBER	QTY.	DESCRIPTION	REV.
34	Not Used			
35	3422448	1	Pin	
36	3790012	1	O-Ring (Not Shown - Located in Console Box)	
37	3841143	1	Keeper	
38	4360336	1	Switch, Toggle (Not Shown - Located in Console Box)	
39	4569385	1	Tube, Fuel Line	
40	4711400	2	Flatwasher 1/4in Thin	
41	4711500	4	Flatwasher 5/16in Thin	
42	4751600	4	Flatwasher 3/8in Regular (S/N 0300087000 to S/N 0300109298)	
43		2.63gal.	Fluid, Anti-Freeze Options (Not Shown):	
	2300004		Machines without Arctic Package	
	2300041		Machines with Arctic Package	
44	4752000	1	Flatwasher 5/8in Regular	
45	3290405	1	Locknut M4 x 0.7	
46	3290505	1	Locknut M5 x 0.8	
47	4751500	4	Flatwasher 5/16in Regular	
48		2	Locknut 5/16in-18NC Options:	
	3311505		S/N 0300087000 to S/N 0300121553	
	88521205		S/N 0300121553 to S/N 0300139354	
49 to 50	Not Used	Ref.	<b>Note: Arctic Package Items 51 - 64 Not Shown - Used on Arctic Machines Only</b>	
51	0641808	1	Bolt 1/2in-13NC x 1in	
52	1060625	1	Cable, Immersion Heater (Located on bottom of Hydraulic Oil Tank)	
53	1060626	1	Cord, 3 Way Extension (Located on Left Front of Engine)	
54	1320223	A/R	Clamp	
55	1702941	1	Decal - Battery Heater (Located on Battery Heater)	
56	1702942	1	Decal - Engine Block Heater (Located on Right Side of Engine)	
57	1702943	1	Decal - Hydraulic Tank Heater (Located on bottom of Hydraulic Oil Tank)	
58	1702944	1	Decal - Heater Cord (Located on Left Front of Engine)	
59	2580024	1	Heater, Battery (Located on Battery)	
60	2580050	1	Heater, Hydraulic Tank (Located on bottom of Hydraulic Oil Tank)	
61	2580063	1	Heater, Engine Block (Located on Right Side of Engine)	
62	3980007	1	Seat, Battery (Located under Battery)	
63	3311605	1	Locknut 3/8in-16NC	
64	4711600	2	Flatwasher 3/8in Thin	
		Ref.	<b>GM ENGINE AND PUMP SUB-ASSEMBLY</b>	
	2000370	Ref.	<b>Machines without Arctic Package S/N 0300087000 to S/N 0300109298</b>	B
	1001091605	Ref.	<b>Machines without Arctic Package S/N 0300109298 to S/N 0300139354</b>	E
	1001101821	Ref.	<b>Machines with Arctic Package S/N 0300087000 to S/N 0300139354</b>	C
101	0100011	A/R	Compound, Locking	



## SECTION 2 TURNTABLE

**FIGURE 2-13. GM ENGINE INSTALLATION (USA BUILT MACHINES S/N 0300087000 TO S/N 0300139354) (CONTINUED)**

ITEM #	PART NUMBER	QTY.	DESCRIPTION	REV.
102	0641407	1	Bolt 1/4in-20NC x 7/8in	
103	0641808	2	Bolt 1/2in-13NC x 1in	
104	0641812	2	Bolt 1/2in-13NC x 1-1/2in	
105	1060637	1	Cable, Lanyard	
106	2902531	1	Battery Cable Kit	B
106A	7016822	1	Cable (Battery - to Ground)	
106B	7027015	1	Cable (Battery + to Auxiliary Relay)	
106C	7027016	1	Cable (Starter Relay to Starter)	
106D	7027017	1	Cable (Auxiliary Relay to Starter Relay)	
106E	7027003	1	Cable (Auxiliary Relay to Auxiliary Pump)	
107	3311405	1	Locknut 1/4in-20NC	
108	3311805	1	Locknut 1/2in-13NC	
109	3422533	1	Pin, Hitch	
110	3600395	1	Gear Pump Assy with Fittings (See Figure 2-16 for Breakdown)	
111		1	Piston Pump Assy with Fittings Options (See Figure 2-15 for Breakdown):	
	3600396		S/N 0300087000 to S/N 0300109298	
	1001093410		S/N 0300109298 to S/N 0300139354	
112	3790012	1	O-Ring	
113	3931620	2	Bolt 3/8in-16NC x 1-1/4in	
114	3960389	5ft/1.5m	Seal	
115	4751400	1	Flatwasher 1/4in Regular	
116	4751800	1	Flatwasher 1/2in Regular	
117	4891600	2	Flatwasher 3/8in Hardened	
		Ref.	<b>GM ENGINE ASSEMBLY</b>	
	2000371	Ref.	<b>Machines without Arctic Package S/N 0300087000 to S/N 0300109298</b>	E
	1001091603	Ref.	<b>Machines without Arctic Package S/N 0300109298 to S/N 0300139354</b>	F
	1001101822	Ref.	<b>Machines with Arctic Package S/N 0300087000 to S/N 0300139354</b>	C
201	0080201	1	Fitting, 90°	
202	0100011	A/R	Compound, Locking	
203	0100020	A/R	Sealant (S/N 0300087000 to S/N 0300136641 Only)	
204	0340041	2	Band, Mounting	
205	0641406	10	Bolt 1/4in-20NC x 3/4in	
206	0641606	3	Bolt 3/8in-16NC x 3/4in	
207	0641608	9	Bolt 3/8in-16NC x 1in	
208	0641609	4	Bolt 3/8in-16NC x 1-1/8in	
209	0641610	10	Bolt 3/8in-16NC x 1-1/4in	
210	0641612	4	Bolt 3/8in-16NC x 1-1/2in	
211		A/R	Bolt 1/2in-13NC Options:	
	0641828	2	Bolt 1/2in-13NC x 3-1/2in (Front)	
	0641826	2	Bolt 1/2in-13NC x 3-1/4in (Rear)	
212	0700810	4	Bolt M8 x 20mm	
213	0903490	1	Bracket, Exhaust Strap	
214	0940070	1	Bumper	

## SECTION 2 TURNTABLE

**FIGURE 2-13. GM ENGINE INSTALLATION (USA BUILT MACHINES S/N 0300087000 TO S/N 0300139354) (CONTINUED)**

ITEM #	PART NUMBER	QTY.	DESCRIPTION	REV.
215	0961986	2	Bearing, Flanged	
216	1320012	3	Clamp	
217	1320016	5	Clamp	
218	1320022	3	Clamp	
219	1320223	3	Clamp	
220	1340060	1	Air Cleaner Assembly	
	7012664	1	Element, Air Cleaner	
221	1580011	1	Container, Coolant Overflow	
222	1703162	2	Decal - Caution Fan	
223		1	Engine, GM 3.0L Options (See GM Engine Supplement P/N 3121245 for Breakdown of Additional Components):	
	2000354		Machines without Arctic Package S/N 0300087000 to S/N 0300109298	
	1001091768		Machines without Arctic Package S/N 0300109298 to S/N 0300139354	
	1001101823		Machines with Arctic Package S/N 0300087000 to S/N 0300139354	
	70000164	4	Plug, Spark (Not Shown)	
223A	7027965	1	Filter, Oil	
223B	7027972	1	Filter, Fuel	
223C	7027994	1	Module, Control (ECU)	
224	2060025	1	Fan	
225	Not Used			
226	2720058	4in/10cm	Hose	
227	2720514	1	Hose	
228	2720563	1	Hose, Radiator (Top)	
229	2720564	1	Hose, Radiator (Bottom)	
230		6in/15.2cm	Hose Options:	
	2750532		S/N 0300087000 to S/N 0300136641	
	1001091892		S/N 0300136641 to S/N 0300139354	
231		1	Insulation, Muffler Options:	
231A	2820180		S/N 0300087000 to S/N 0300109298	
231B	1001091793		S/N 0300109298 to S/N 0300139354	
232	2820243	1	Exhaust Elbow, Insulation	
233	2820244	1	Exhaust, Insulation	
234	3200362	4	Mount, Engine	
235	3311405	10	Locknut 1/4in-20NC	
236	3311605	27	Locknut 3/8in-16NC	
237	3311805	4	Locknut 1/2in-13NC	
238	3539872	1	Plate, Radiator Mounting	
239	3572280	1	Plate, Engine Mount	
240	3620040	1	Radiator	
	7019656	1	Cap, Radiator	
241	3740067	1	Relay	
242	3960468	1	Seal	
243	3960469	1	Seal	
244	4060805	3ft/0.9m	Seal	
245	4341239	1	Tray, Engine	
246	4341241	1	Mount, Engine (Front)	

## SECTION 2 TURNTABLE

**FIGURE 2-13. GM ENGINE INSTALLATION (USA BUILT MACHINES S/N 0300087000 TO S/N 0300139354) (CONTINUED)**

ITEM #	PART NUMBER	QTY.	DESCRIPTION	REV.
247	4569342	1	Tube, Intake	
248	4569384	1	Pipe, Exhaust Options: S/N 0300087000 to S/N 0300109298	
	1001093248		S/N 0300109298 to S/N 0300139354	
249	Use 4640952	1	Valve, Oil Drain Options: Valve S/N 0300087000 to S/N 0300136641 (was p/n 4640989)	
	1001105872		Valve S/N 0300136641 to S/N 0300139354	
250	4711400	A/R	Flatwasher 1/4in Thin	
251	4711600	A/R	Flatwasher 3/8in Thin	
252	4740274	4	Flatwasher, Snubbing	
253	4751400	8	Flatwasher 1/4in Regular	
254	4751600	A/R	Flatwasher 3/8in Regular	
255	4751800	A/R	Flatwasher 1/2in Regular	
256	4791400	2	Starwasher 1/4in	
257	4831900	4	Lockwasher M8	
258	4920385	10ft/3m	Wire, Safety	
259	2720271	18in/46cm	Hose (S/N 0300136641 to S/N 0300139354)	
260	2180877	1	Fitting 90°	

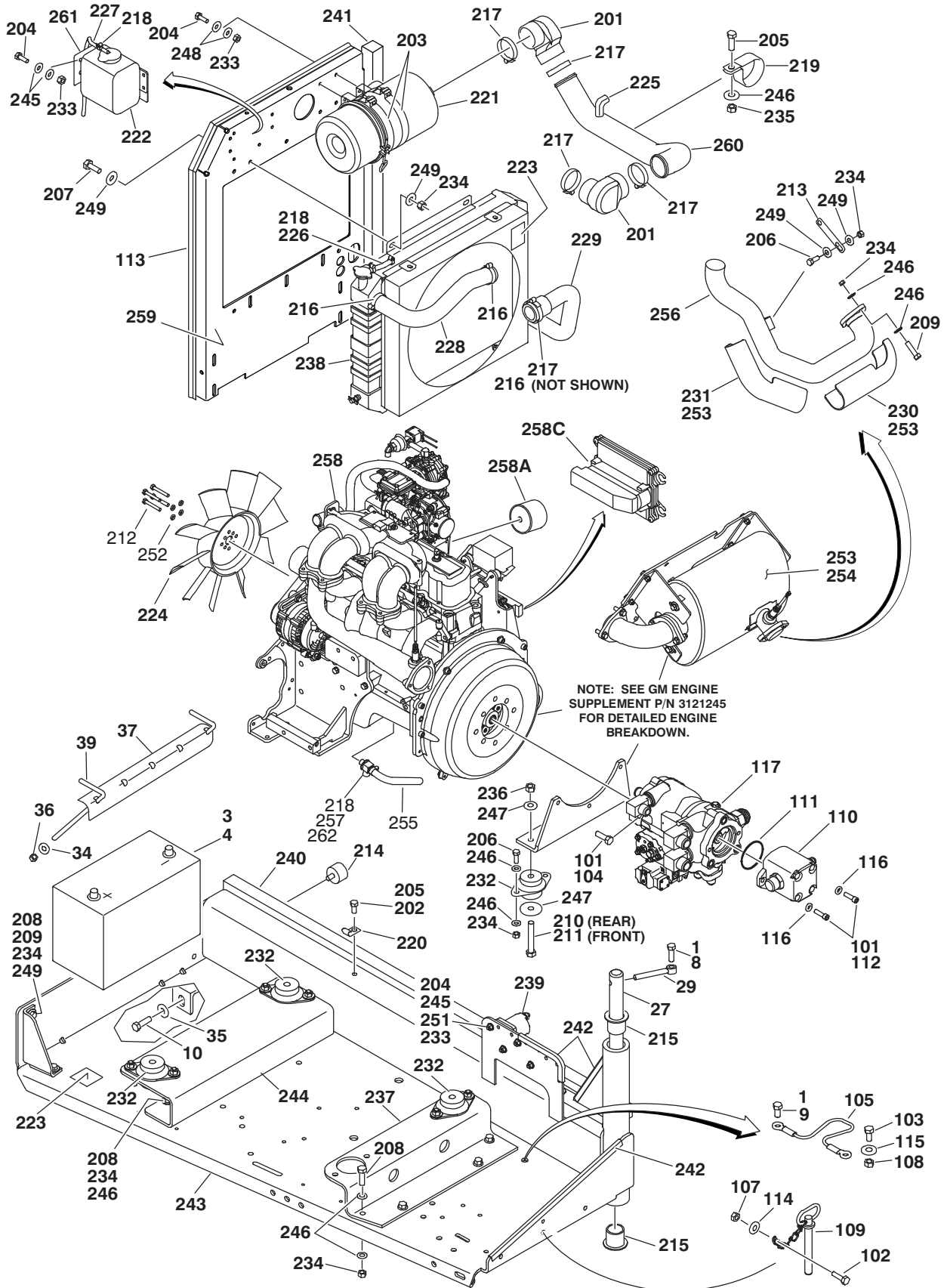
**SECTION 2 TURNTABLE**

**FIGURE 2-13. GM ENGINE INSTALLATION (USA BUILT MACHINES S/N 0300087000 TO S/N 0300139354) (CONTINUED)**

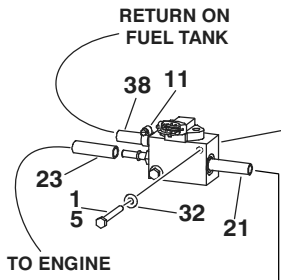
ITEM #	PART NUMBER	QTY.	DESCRIPTION	REV.

# SECTION 2 TURNTABLE

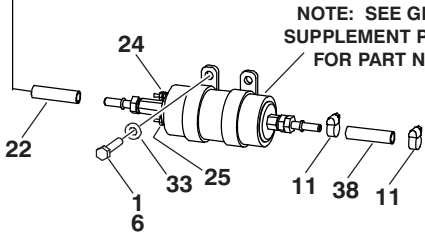
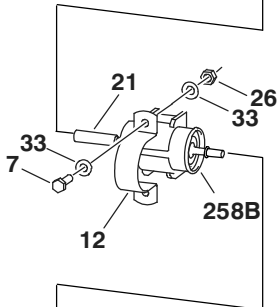
FIGURE 2-14. GM ENGINE INSTALLATION (USA BUILT MACHINES S/N 0300139354 TO PRESENT)



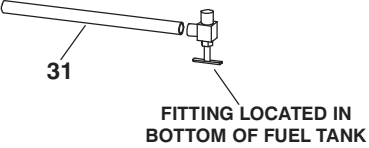
# SECTION 2 TURNTABLE



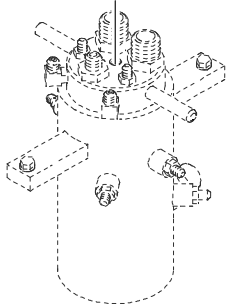
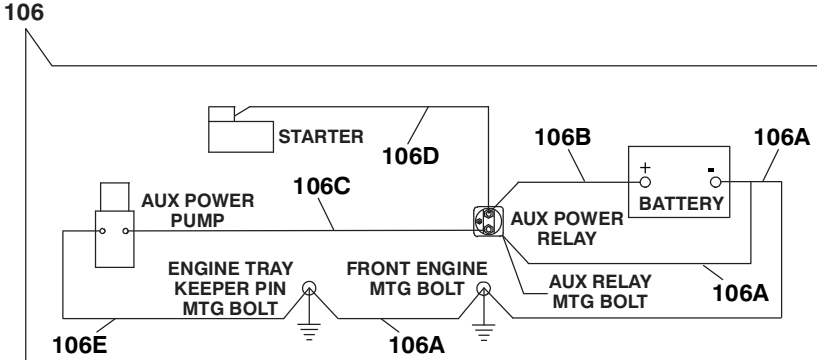
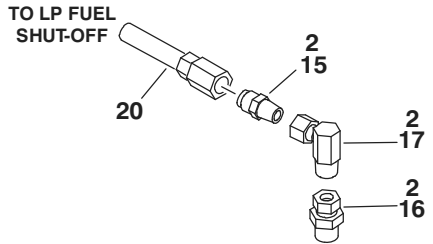
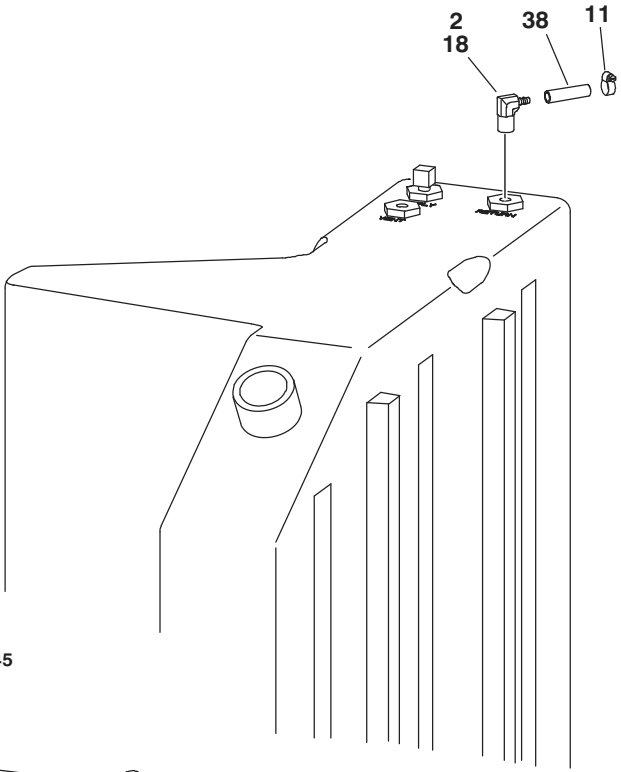
NOTE: SEE GM ENGINE SUPPLEMENT P/N 3121245 FOR PART NUMBER.



NOTE: SEE GM ENGINE SUPPLEMENT P/N 3121245 FOR PART NUMBER.



FITTING LOCATED IN BOTTOM OF FUEL TANK



## SECTION 2 TURNTABLE

**FIGURE 2-14. GM ENGINE INSTALLATION (USA BUILT MACHINES S/N 0300139354 TO PRESENT)**

ITEM #	PART NUMBER	QTY.	DESCRIPTION	REV.
		Ref.	<b>Note: Only Available on USA Built Machines.</b>	
		Ref.	<b>GM ENGINE INSTALLATION</b>	
	1001114640	Ref.	<b>Machines without Arctic Package</b>	B
	1001114642	Ref.	<b>Machines with Arctic Package:</b>	A
1	0100011	A/R	Compound, Locking	
2	0100020	A/R	Sealant, Pipe	
3	0100048	A/R	Grease, Dielectric	
4	0400075	1	Battery (Wet)	
5	0641416	2	Bolt 1/4in-20NC x 2in	
6	0641505	2	Bolt 5/16in-18NC x 5/8in	
7	0641506	2	Bolt 5/16in-18NC x 3/4in	
8	0641608	1	Bolt 3/8in-16NC x 1in	
9	0641808	1	Bolt 1/2in-13NC x 1in	
10	0642010	1	Bolt 5/8in-11NC x 1-1/4in	
11	1320022	4	Clamp, Fuel Line	
12	1320323	1	Clamp	
13	1701542	1	Decal, Gas (Not Shown)	
14	1701543	1	Decal, LPG (Not Shown)	
15	2180418	1	Fitting, Straight	
16	2220005	1	Fitting, Straight	
17	2220064	1	Fitting, Adapter	
18	2221176	1	Fitting, 90°	
19		2.7gal.	Fluid, Anti-Freeze Options (Not Shown):	
	2300004		Machines without Arctic Package	
	2300041		Machines with Arctic Package	
20	2720392	1	Hose, LP	
21	2720496	1	Hose, Hi Pressure Fuel Line	
22	2720566	1	Hose (6in/15cm Length)	
23	2720598	1	Hose (92in/234cm Length)	
24	3290405	1	Locknut M4 x 0.7	
25	3290505	1	Locknut M5 x 0.8	
26	3311505	2	Locknut 5/16in-18NC	
27	3422448	1	Pin	
28	3790012	1	O-Ring (Not Shown - Located in Console Box)	
29	3841143	1	Keeper	
30	4360336	1	Switch, Toggle (Not Shown - Located in Console Box)	
31	4569385	1	Tube, Fuel Line	
32	4711400	2	Flatwasher 1/4in Thin	
33	4711500	6	Flatwasher 5/16in Thin	
34	4751500	2	Flatwasher 5/16in Regular	
35	4752000	1	Flatwasher 5/8in Regular	
36	88521205	2	Locknut 5/16in-18NC	
37	91401281	1	Angle, Battery Hold Down	
38	1001091587	6.25ft/1.9m	Hose, Fuel Line	
39	1001093382	2	Bolt, Battery Hold Down	
40	Not Used			

## SECTION 2 TURNTABLE

**FIGURE 2-14. GM ENGINE INSTALLATION (USA BUILT MACHINES S/N 0300139354 TO PRESENT) (CONTINUED)**

ITEM #	PART NUMBER	QTY.	DESCRIPTION	REV.
		Ref.	<b>Note: Arctic Package Items 41 - 53 Not Shown - Used on Arctic Machines Only</b>	
41	1060625	1	Cable, Immersion Heater (Located on bottom of Hydraulic Oil Tank)	
42	1060626	1	Cord, 3 Way Extension (Located on Left Front of Engine)	
43	1320223	3	Clamp	
44	1702941	1	Decal - Battery Heater (Located on Battery Heater)	
45	1702942	1	Decal - Engine Block Heater (Located on Right Side of Engine)	
46	1702943	1	Decal - Hydraulic Tank Heater (Located on bottom of Hydraulic Oil Tank)	
47	1702944	1	Decal - Heater Cord (Located on Left Front of Engine)	
48	2580024	1	Heater, Battery (Located on Battery)	
49	2580050	1	Heater, Hydraulic Tank (Located on bottom of Hydraulic Oil Tank)	
50	2580063	1	Heater, Engine Block (Located on Right Side of Engine)	
51	3311605	2	Locknut 3/8in-16NC	
52	3980007	1	Seat, Battery (Located under Battery)	
53	4711600	2	Flatwasher 3/8in Thin	
		Ref.	<b>GM ENGINE AND PUMP SUB-ASSEMBLY</b>	
	1001114639	Ref.	<b>Machines without Arctic Package</b>	C
	1001114641	Ref.	<b>Machines with Arctic Package</b>	C
101	0100011	A/R	Compound, Locking	
102	0641407	1	Bolt 1/4in-20NC x 7/8in	
103	0641808	1	Bolt 1/2in-13NC x 1in	
104	0641812	2	Bolt 1/2in-13NC x 1-1/2in	
105	1060637	1	Cable, Lanyard	
106	2902531	1	Battery Cable Kit	B
106A	7016822	1	Cable (Battery - to Ground)	
106B	7027015	1	Cable (Battery + to Auxiliary Relay)	
106C	7027016	1	Cable (Relay to Auxiliary Pump)	
106D	7027017	1	Cable (Relay to Starter)	
106E	7027003	1	Cable (Relay to Auxiliary Pump)	
107	3311405	1	Locknut 1/4in-20NC	
108	3311805	1	Locknut 1/2in-13NC	
109	3422533	1	Pin, Hitch	
110	3600395	1	Gear Pump Assy with Fittings (See Figure 2-16 for Breakdown)	
111	3790012	1	O-Ring	
112	3931620	2	Bolt 3/8in-16NC x 1-1/4in	
113	3960389	5ft/1.5m	Seal	
114	4751400	1	Flatwasher 1/4in Regular	
115	4751800	1	Flatwasher 1/2in Regular	
116	4891600	2	Flatwasher 3/8in Hardened	
117	1001093410	1	Piston Pump Assy with Fittings (See Figure 2-15 for Breakdown)	
118	Not Used			



## SECTION 2 TURNTABLE

**FIGURE 2-14. GM ENGINE INSTALLATION (USA BUILT MACHINES S/N 0300139354 TO PRESENT) (CONTINUED)**

ITEM #	PART NUMBER	QTY.	DESCRIPTION	REV.
119	1001115930 1001115931	4.5Qt.	Oil, Engine (Not Shown) 10W-30 - Without Arctic Package 5W-30 Fully Synthetic - With Arctic Package	
	1001114601	Ref.	<b>GM ENGINE ASSEMBLY</b>	B
201	0080201	2	Fitting, 90°	
202	0100011	A/R	Compound, Locking	
203	0340041	2	Band, Mounting	
204	0641406	12	Bolt 1/4in-20NC x 3/4in	
205	0641606	4	Bolt 3/8in-16NC x 3/4in	
206	0641608	9	Bolt 3/8in-16NC x 1in	
207	0641609	4	Bolt 3/8in-16NC x 1-1/8in	
208	0641610	10	Bolt 3/8in-16NC x 1-1/4in	
209	0641612	4	Bolt 3/8in-16NC x 1- 1/2in	
210	0641826	2	Bolt 1/2in-13NC x 3-1/4in	
211	0641828	2	Bolt 1/2in-13NC x 3-1/2in	
212	0700810	4	Bolt M8 x 20mm	
213	0903490	1	Bracket, Exhaust Strap	
214	0940070	1	Bumper	
215	0961986	2	Bearing, Flanged	
216	1320012	3	Clamp	
217	1320016	5	Clamp	
218	1320022	4	Clamp	
219	1320219	1	Clamp	
220	1320223	3	Clamp	
221	1340060	1	Air Cleaner Assembly	
	7012664	1	Element, Air Cleaner	
222	1580011	1	Container, Coolant Overflow	
223	1703162	2	Decal - Caution Fan	
224	2060025	1	Fan	
225	2180877	1	Fitting 90°	
226	2720058	1ft/0.3m	Hose	
227	2720271	18in/46cm	Hose	
228	2720563	1	Hose, Radiator (Top)	
229	2720564	1	Hose, Radiator (Bottom)	
230	2820243	1	Exhaust Elbow, Insulation	
231	2820244	1	Exhaust, Insulation	
232	3200362	4	Mount, Engine	
233	3311405	12	Locknut 1/4in-20NC	
234	3311605	27	Locknut 3/8in-16NC	
235	3311608	1	Locknut 3/8in-16NC	
236	3311805	4	Locknut 1/2in-13NC	
237	3572280	1	Plate, Engine Mount	
238	3620040	1	Radiator	
	7019656	1	Cap, Radiator	
239	3740067	1	Relay	
240	3960468	1	Seal	

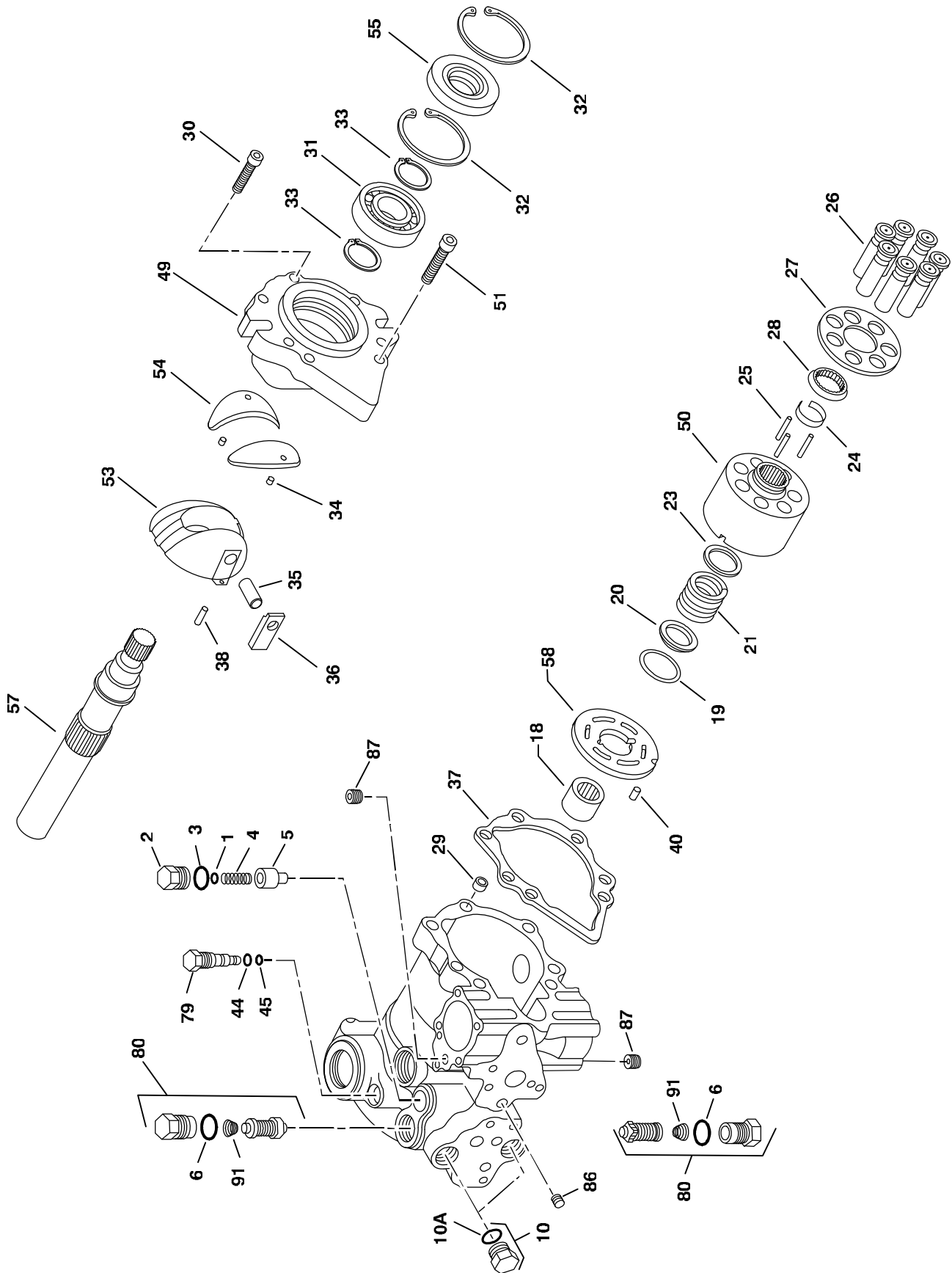
## SECTION 2 TURNTABLE

**FIGURE 2-14. GM ENGINE INSTALLATION (USA BUILT MACHINES S/N 0300139354 TO PRESENT) (CONTINUED)**

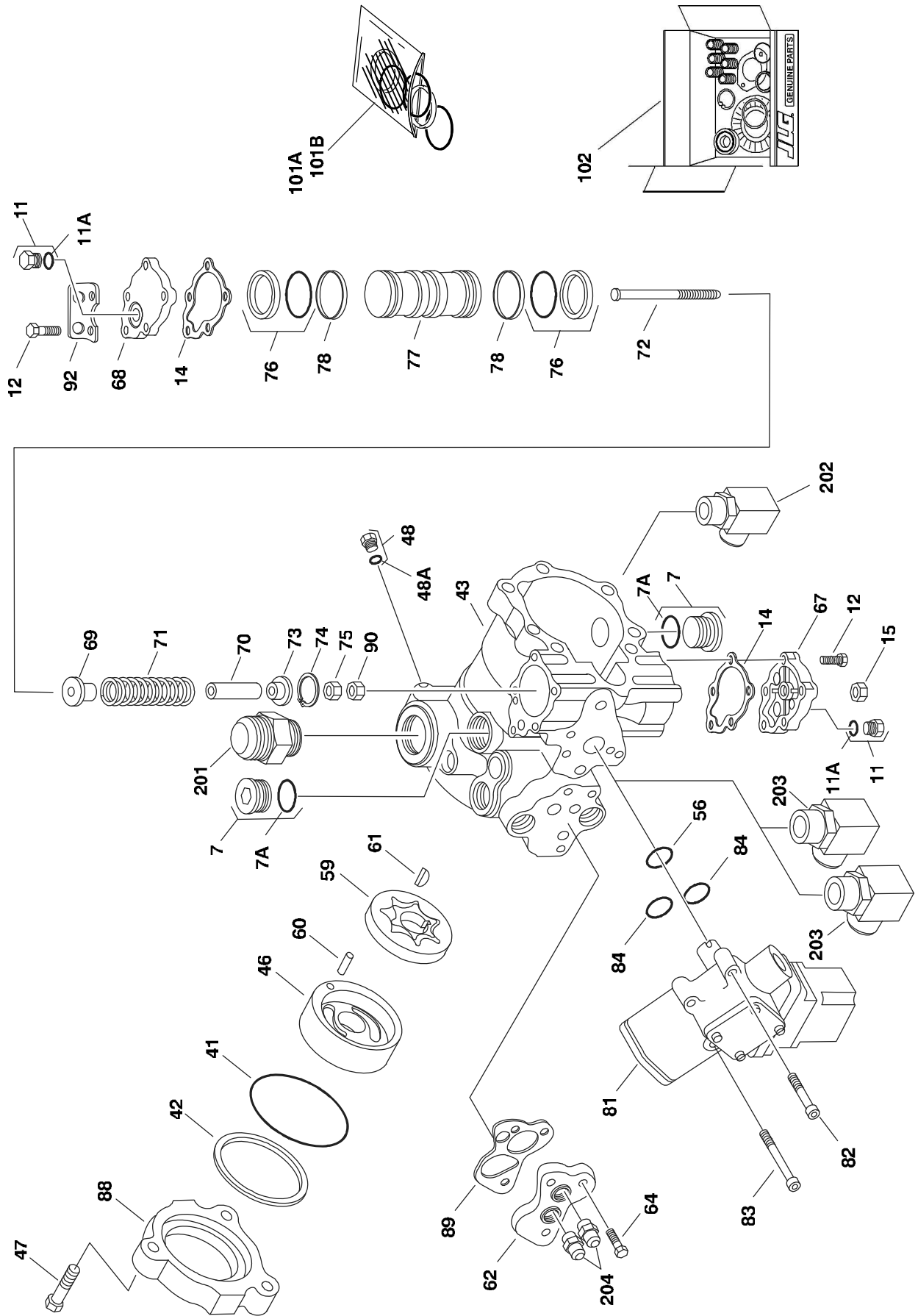
ITEM #	PART NUMBER	QTY.	DESCRIPTION	REV.
241	3960469	1	Seal	
242	4060805	3ft/0.9m	Seal	
243	4341239	1	Tray, Engine	
244	4341241	1	Mount, Engine (Front)	
245	4711400	16	Flatwasher 1/4in Thin	
246	4711600	37	Flatwasher 3/8in Thin	
247	4740274	4	Flatwasher, Snubbing	
248	4751400	8	Flatwasher 1/4in Regular	
249	4751600	18	Flatwasher 3/8in Regular	
250	4751800	4	Flatwasher 1/2in Regular	
251	4791400	2	Starwasher 1/4in	
252	4831900	4	Lockwasher M8	
253	4920385	10ft/3m	Wire, Safety	
254	1001091793	1	Insulation, Muffler	
255	2750532	1ft/30.5cm	Hose (was p/n 1001091892)	
256	1001093248	1	Pipe, Exhaust	
257	4640952	1	Valve, Oil Drain (was p/n 1001105872)	
258	1001114600	1	Engine, GM 3.0L Options (See GM Engine Supplement P/N 3121245 for Breakdown of Additional Components):	
	70000164		Plug, Spark (Not Shown)	
258A	7027965	1	Filter, Oil	
258B	7027972	1	Filter, Fuel	
258C	70002895	1	Module, Control (ECU)	
259	1001116131	1	Plate, Radiator Mounting	
260	1001116183	1	Tube, Intake	
261	1001116200	1	Bracket	
262	0100020	A/R	Sealant	

# SECTION 2 TURNTABLE

FIGURE 2-15. PISTON PUMP ASSEMBLY



# SECTION 2 TURNTABLE



## SECTION 2 TURNTABLE

**FIGURE 2-15. PISTON PUMP ASSEMBLY**

ITEM #	PART NUMBER	QTY.	DESCRIPTION	REV.
	3600381	Ref.	<b>PISTON PUMP ASSEMBLY</b>	A
1	7007413	1	Shim Kit	
2	7007414	1	Plug	
3	Use 7021232	1	O-Ring	
4	7021200	1	Spring, Relief Valve	
5	7007417	1	Valve, Relief	
6	Use 7021232	2	O-Ring	
7	7007419	2	Plug	
7A	7007418	2	O-Ring	
8	Not Used			
9	Not Used			
10	7007470	2	Plug	
10A	7021256	2	O-Ring	
11	7007470	2	Plug	
11A	7021256	2	O-Ring	
12	7021223	10	Screw	
13	Not Used			
14	Use 7021232	2	Gasket, Servo Cover	
15	7007423	1	Nut, Special	
16	Not Used			
17	Not Used			
18	7007425	1	Bearing, Needle	
19	Use 7010116	1	Ring, Retaining	
20	Use 7010116	1	Washer	
21	Use 7010116	1	Spring	
22	Not Used			
23	Use 7010116	1	Washer	
24	Use 7010116	1	Retainer	
25	Use 7010116	3	Pin, Slipper Holddown	
26	Use 7010116	7	Piston Assembly	
27	Use 7010116	1	Retainer, Slipper	
28	Use 7010116	1	Guide, Retainer	
29	7007435	1	Pin, Spring	
30	7021202	1	Screw	
31	7007437	1	Bearing, Ball	
32	7007438	2	Ring, Retainer	
33	7007439	2	Ring	
34	7021203	2	Pin, Spring	
35	7007441	1	Handle, Pin	
36	7007442	1	Sleeve, Bearing	
37	Use 7021232	1	Gasket, Front Cover	
38	7007444	1	Pin	
39	Not Used			
40	7007446	1	Pin	
41	Use 7021232	1	O-Ring	
42	Use 7021232	1	Ring, Load Temper	
43	7023977	1	Housing, Pump	
44	Use 7021232	1	Ring, Back-Up	

## SECTION 2 TURNTABLE

### FIGURE 2-15. PISTON PUMP ASSEMBLY (CONTINUED)

ITEM #	PART NUMBER	QTY.	DESCRIPTION	REV.
45	Use 7021232	1	O-Ring	
46	7007452	1	Cover, Gerotor	
47	7007453	3	Bolt, Hex	
48	7007208	1	Plug	
48A	7007207	1	O-Ring	
49	7007454	1	Cover, Front	
50	Use 7010116	1	Block, Cylinder	
51	7021207	6	Screw	
52	Not Used			
53	7007457	1	Swashplate	
54	7021212	1	Journal, Bearing	
55	Use 7021232	1	Seal, Lip	
56	Use 7021232	1	O-Ring	
57	7010121	1	Shaft, Main Pump	
58	7021214	1	Plate, Valve	
59	7007463	1	Gerotor Assembly	
60	7007464	1	Pin	
61	7007465	1	Key, Woodruff	
62	7007466	1	Adaptor, Remote Filtration (Without By-Pass)	
63	Not Used			
64	7021218	3	Screw	
65	Not Used			
66	Not Used			
67	7021220	1	Cover, Servo (Without Adjuster)	
68	7021219	1	Cover, Servo (Without Adjuster)	
69	7023979	1	Guide, Spring	
70	7007484	1	Stop, Servo	
71	7007485	1	Spring	
72	7021221	1	Screw	
73	7007487	1	Guide, Spring	
74	7007488	1	Ring, Retaining	
75	7021222	1	Locknut	
76	See Note	2	Ring, Piston ( <b>Note: Use Item 101A or 101B</b> )	
77	7007494	1	Piston, Servo	
78	See Note	2	O-Ring ( <b>Note: Use Item 101A or 101B</b> )	
79	7007472	1	Valve, Bypass	
80	7024851	2	Valve, Pressure Relief (Includes Item 6)	
81	7007474	1	Control, Dual Oil-Filled	
	7007496	1	Coil Assembly (Pilot)	
	7007497	1	Plug (Pump)	
	7007498	1	Plug (Valve Harness)	
82	7001498	2	Screw	
83	7007478	2	Screw	
84	7001433	2	O-Ring	
85	Not Used			
86	7007475	1	Plug, Orifice/Screen (.156)	
87	7007477	2	Plug, Orifice (.37)	
88	7007476	1	Adapter, Auxiliary Pump	
89	7021217	1	Spacer/Gasket	

## SECTION 2 TURNTABLE

**FIGURE 2-15. PISTON PUMP ASSEMBLY (CONTINUED)**

ITEM #	PART NUMBER	QTY.	DESCRIPTION	REV.
90	7021206	1	Nut	
91	7024800	2	Spring	
92	7021201	1	Bracket, Lifting	
93 to 100	Not Used			
101			Seal Kit Options:	
101A	7021232	1	Seal Kit - Complete (Includes Items 3, 6, 14, 37, 41, 42, 44, 45, 55, 56, 76, 78 & 89)	
101B	7007412	1	Seal Kit - Servo Piston (Includes Items 76 & 78)	
102	7010116	1	Cylinder Block Kit (Includes Items 19-28, & 50)	
		Ref.	<b>PISTON PUMP AND FITTING ASSEMBLY</b>	
	3600396	Ref.	<b>Caterpillar Engine Machines</b>	A
	3600396	Ref.	<b>Ford Engine Machines</b>	C
	Use 3600396	Ref.	<b>Deutz Engine Machines (was p/n 1001117799)</b>	C
	3600396	Ref.	<b>GM Engine Machines S/N 0300087000 to S/N 0300109298</b>	C
	1001093410	Ref.	<b>GM Engine Machines S/N 0300109298 to Present</b>	A
201		1	Fitting, Straight Options:	
	2220479		Caterpillar/Ford/GM Engine (USA Built Machines S/N 0300087000 to S/N 0300109298)	
	2220377		Caterpillar/Ford/GM Engine (USA Built Machines S/N 0300109298 to Present)	
	2220377		Caterpillar Engine (China Built Machines S/N B300000100 to Present)	
	Use 2220377		Deutz Engine (was p/n 2220479)	
202		1	Fitting, 90° Options	
	2220578		3600396 Pump	
	8770157		1001093410 Pump	
203	2220646	2	Fitting, 90°	
204	2220947	2	Fitting, Straight	

**SECTION 2 TURNTABLE**

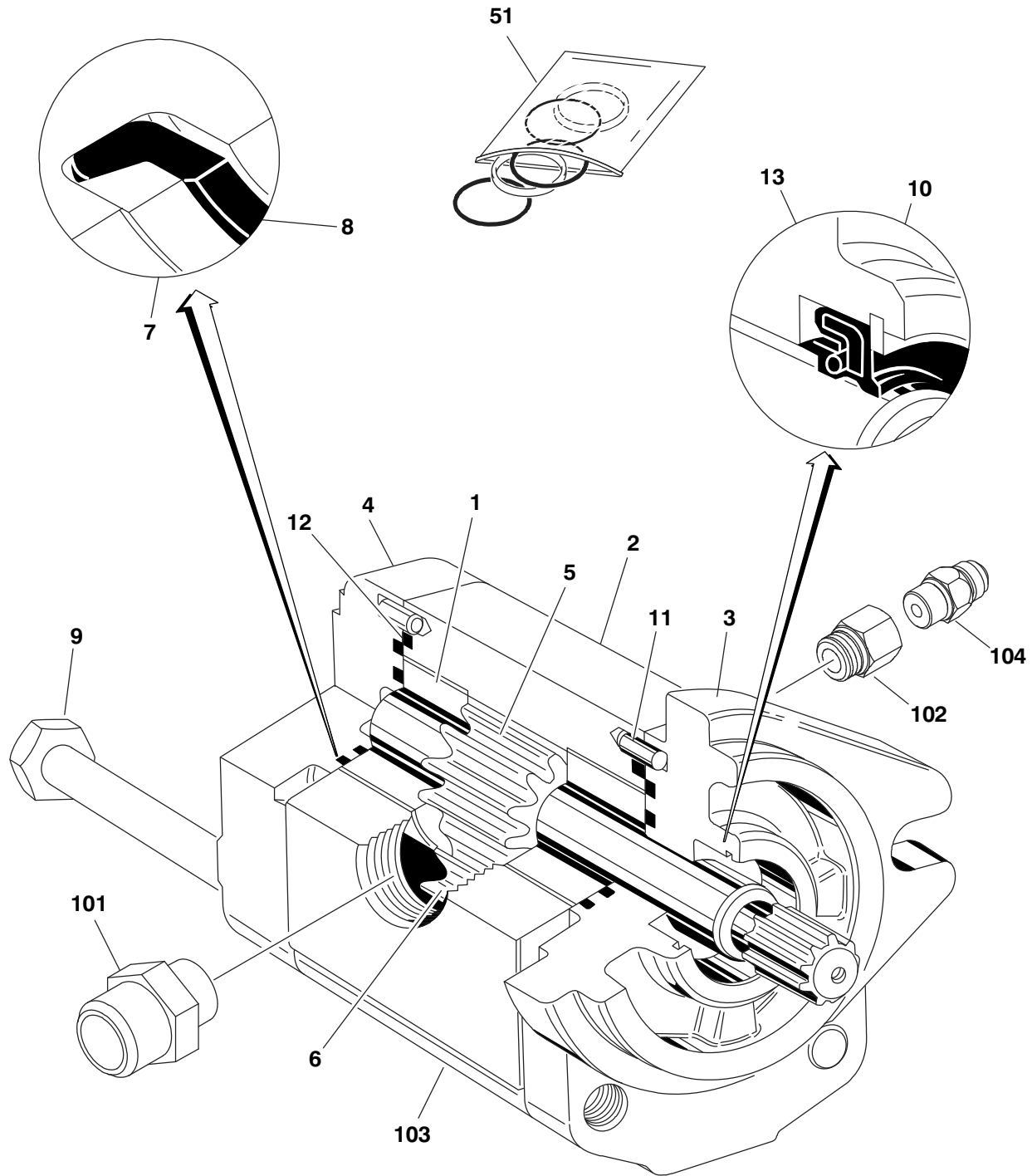
**FIGURE 2-15. PISTON PUMP ASSEMBLY (CONTINUED)**

ITEM #	PART NUMBER	QTY.	DESCRIPTION	REV.



# SECTION 2 TURNTABLE

## FIGURE 2-16. GEAR PUMP ASSEMBLY



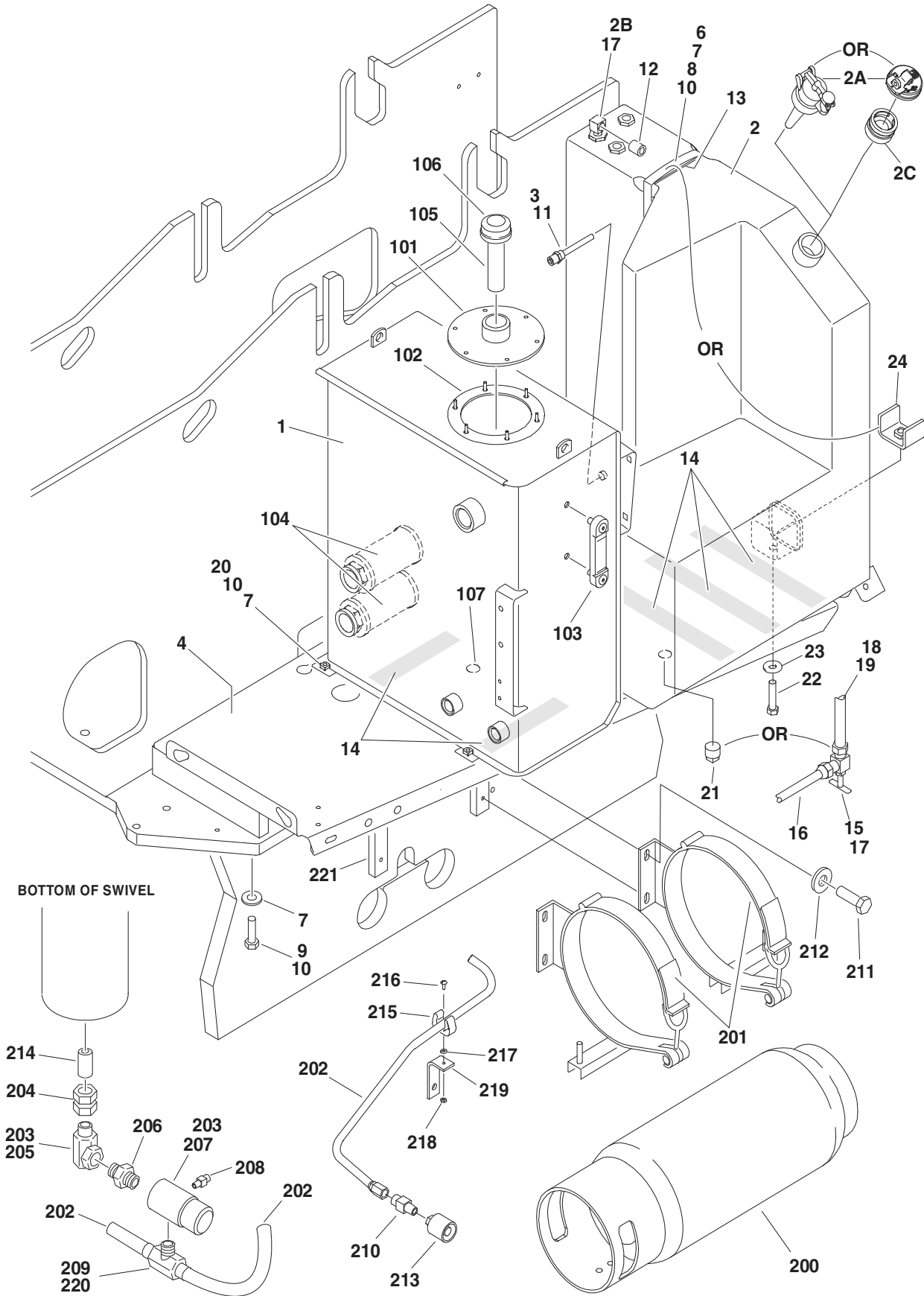
## SECTION 2 TURNTABLE

**FIGURE 2-16. GEAR PUMP ASSEMBLY**

ITEM #	PART NUMBER	QTY.	DESCRIPTION	REV.
	3600242	Ref.	<b>GEAR PUMP ASSEMBLY</b>	
1	7010105	2	Bearing/Bushing	
2	Use 3600242	1	Housing ( <b>Note: Not Available - Purchase Complete Assembly</b> )	
3	Use 3600242	1	Flange ( <b>Note: Not Available - Purchase Complete Assembly</b> )	
4	7010103	1	Cover	
5	7012987	1	Gear, Drive	
6	7012988	1	Gear, Idler	
7	Use 7007489	2	Ring, Anti-Extrusion	
8	Use 7007489	2	Seal	
9	See Note	4	Bolt ( <b>Note: Not Available for Purchase</b> )	
10	7010104	1	Ring, Retaining	
11	See Note	4	Pin, Dowel ( <b>Note: Not Available for Purchase</b> )	
12	Use 7007489	2	Seal, O-Ring	
13	Use 7007489	1	Seal, Shaft	
14 to 50	Not Used			
51	7007489	1	Seal Kit (Includes Items 7,8,12 & 13)	
	3600395	Ref.	<b>GEAR PUMP AND FITTING ASSEMBLY</b>	A
101	2220376	1	Fitting, Straight	
102	2220810	1	Fitting, Reducer	
103	3600242	1	Pump (Includes Items 1 - 13)	
104	4640744	1	Fitting, Check Valve	

# SECTION 2 TURNTABLE

## FIGURE 2-17. TANK INSTALLATIONS



## SECTION 2 TURNTABLE

### FIGURE 2-17. TANK INSTALLATIONS

ITEM #	PART NUMBER	QTY.	DESCRIPTION	REV.
		Ref.	<b>Note: Gas Machines Only Available as USA Built Machines.</b>	
		Ref.	<b>TANK INSTALLATIONS</b>	
	0255409	Ref.	<b>Diesel Machines</b>	9/F
	0270395	Ref.	<b>Gas Machines (S/N 0300087000 to S/N 0300140989)</b>	E
	1001116340	Ref.	<b>Gas Machines (S/N 0300140989 to Present)</b>	A
1	4400454	1	Hydraulic Tank Assembly (See Items 101-107 for Breakdown)	
2		1	Tank, Fuel Options:	
	4400399		Diesel Machines	
	4400399		Gas Machines S/N 0300087000 to S/N 0300109298	
	Use 1001091514		Gas Machines S/N 0300109298 to S/N 0300140989 (was p/n 1001091561)	
2A	1001111514	1	Gas Machines S/N 0300140989 to Present	
			Cap, Fuel Tank Options:	
	7016314		Standard - Non-Locking (Diesel Machines)	
	7016314		Standard - Non-Locking (Gas Machines S/N 0300087000 to S/N 0300109298)	
	70001103		Standard - Non-Locking (Gas Machines S/N 0300109298 to S/N 0300140989)	
	70002715		Standard - Non-Locking (Gas Machines S/N 0300140989 to Present)	
	1120484		Red - Gas/Dual Fuel Machines (Not Included with Tank) (Emission Regulations do NOT allow this cap to be installed on machines S/N 0300109298 to Present)	
	1120487		Blue - Diesel Machines (Not Included with Tank)	
2B		1	Fitting, 90° With Pick-Up Tube Options:	
	7019658		Diesel Machines	
	70004149		Gas Machines	
2C	70002716	1	Adapter (Gas Machines S/N 0300140989 to Present)	
3	4360436	1	Switch, Fuel Level	
4	4844964	1	Hydraulic Tray Weldment	
5	Not Used			
6		1	Strap, Tank Options (Not Required on UL Machines):	
	4240102		Diesel Machines	
	4240102		Gas Machines S/N 0300087000 to S/N 0300140989	
	Not Required		Gas Machines S/N 0300140989 to Present	
7	4751600	A/R	Flatwasher 3/8in Regular	
8	3311601	A/R	Nut 3/8in-16NC	
9	0641614	A/R	Bolt 3/8in-16NC x 1-3/4in	
10	0100011	A/R	Compound, Locking	
11	0100079	A/R	Sealant, Pipe	
12	2200233	1	Plug (Gas Machines Only)	
13		18in/46cm	Strip, Protective Options:	
	4280295		Diesel Machines	
	4280295		Gas Machines S/N 0300087000 to S/N 0300140989	
	Not Required		Gas Machines S/N 0300140989 to Present	
14	4420038	A/R	Tape, Rubber	
15	4641022	1	Valve, Needle (Gas Machines Only)	

## SECTION 2 TURNTABLE

**FIGURE 2-17. TANK INSTALLATIONS (CONTINUED)**

ITEM #	PART NUMBER	QTY.	DESCRIPTION	REV.
16	4568116	1	Tube, Fuel Options (Gas Machines Only):	
	4569385		Ford Engine Machines	
			GM Engine Machines	
17	0100020	A/R	Sealant	
18	0100062	A/R	Retaining Compound #680	
19	4568119	1	Tube, Fuel (Gas Machines Only)	
20	0641606	4	Bolt 3/8in-16NC x 3/4in	
21	2200222	1	Plug (Diesel Machines Only)	
22	0641818	2	Bolt 1/2in-13NC x 2-1/4in (Gas Machines Only S/N 0300140989 to Present)	
23	4751800	2	Flatwasher 1/2in Regular (Gas Machines Only S/N 0300140989 to Present)	
24	1001118133	2	Bracket (Gas Machines Only S/N 0300140989 to Present)	
	4400454	Ref.	<b>HYDRAULIC OIL TANK ASSEMBLY</b>	F
101	7024439	1	Cover	
102	7024440	1	Gasket	
103	7024441	1	Gauge, Sight	
104	7024442	1	Strainer 1-1/4in NPT	
105	7024443	1	Neck, Fill	
	7024445	1	Screen	
106	7024444	1	Breather/Fill Cap	
107	7024446	1	Plug, Magnetic	
	0255524	Ref.	<b>LP TANK BRACKETS INSTALLATION (GAS MACHINES ONLY)</b>	9/F
200		1	Tank, LP Options:	
	4400275		Aluminum	
	4400420		Steel	
201	1320220	2	Clamp	
	1320127	2	Clamp, Toggle (1 Per Clamp)	
202	2720144	2	Hose	
203	0100020	A/R	Sealant, Pipe	
204	2221197	1	Fitting, Reducer	
205	2180125	1	Fitting, 90° Swivel	
206	2220261	1	Fitting, Nipple	
207	2180388	1	Fitting, Bulkhead	
208	2180389	1	Valve, Relief	
209	2220418	1	Fitting, Tee	
210	2180387	2	Fitting, Straight	
211	0641606	8	Bolt 3/8in-16NC x 3/4in	
212	4751600	8	Flatwasher 3/8in Regular	
213	2180418	2	Fitting, Connector	
214	2221018	1	Fitting, Nipple	
215	1320218	2	Clamp, Spring	
216	3910808	2	Screw #8-32NC x 1/2in	
217	4750800	4	Flatwasher #8 Regular	
218	3310805	2	Locknut #8-32NC	
219	0181949	2	Angle, Support	

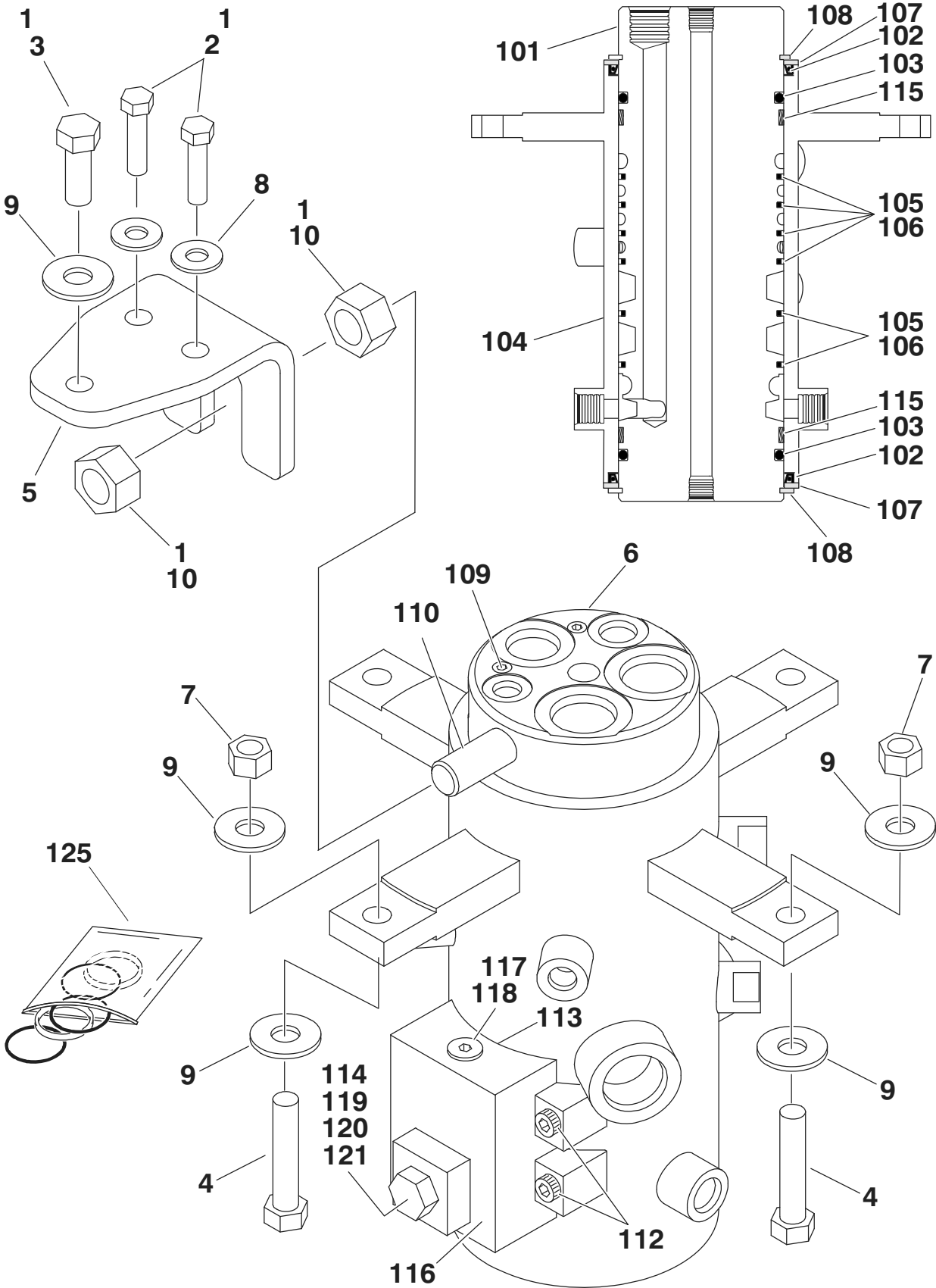
**SECTION 2 TURNTABLE**

**FIGURE 2-17. TANK INSTALLATIONS (CONTINUED)**

ITEM #	PART NUMBER	QTY.	DESCRIPTION	REV.
220	2221024	2	Fitting, Union Ball Check	
221	0362519	4	Bar	

# SECTION 2 TURNTABLE

FIGURE 2-18. ROTARY COUPLING INSTALLATIONS (USA BUILT MACHINES S/N 0300087000 TO S/N 0300138649)



## SECTION 2 TURNTABLE

**FIGURE 2-18. ROTARY COUPLING INSTALLATIONS (USA BUILT MACHINES S/N 0300087000 TO S/N 0300138649)**

ITEM #	PART NUMBER	QTY.	DESCRIPTION	REV.
		Ref.	<b>ROTARY COUPLING INSTALLATIONS</b>	
	0273052	Ref.	<b>2WS</b>	G
	0273161	Ref.	<b>4WS</b>	G
1	0100011	A/R	Compound, Locking	
2	0641612	2	Bolt 3/8in-16NC x 1-1/2in	
3	0641811	1	Bolt 1/2in-13NC x 1-3/8in	
4	0641820	2	Bolt 1/2in-13NC x 2-1/2in	
5	0903056	1	Bracket	
6		1	Coupling, Rotary Options (See Items 101-122 for Breakdown):	
	Use 1660303		2WS S/N 0300087000 to S/N 0300113550 (was p/n 1660257) (Original Equipment)	
	1660303		S/N 0300113550 to S/N 0300138649 (Service Replacement)	
		Ref.	<b>Note: Original Equipment Rotary may have been replaced with Service Replacement Rotary. Identify p/n stamped on rotary before ordering parts.</b>	
	Use 1660304		4WS S/N 0300087000 to S/N 0300113550 (was p/n 1660258) (Original Equipment)	
	1660304		S/N 0300113550 to S/N 0300138649 (Service Replacement)	
		Ref.	<b>Note: Original Equipment Rotary may have been replaced with Service Replacement Rotary. Identify p/n stamped on rotary before ordering parts.</b>	
7	3271805	2	Locknut 1/2in-13NC	
8	4751600	2	Flatwasher 3/8in Regular	
9	4751800	5	Flatwasher 1/2in Regular	
10	3322201	2	Nut 3/4in-16NC	
		Ref.	<b>ROTARY COUPLING ASSEMBLIES</b>	
		Ref.	<b>2WS</b>	
	1660257	Ref.	<b>S/N 0300087000 to S/N 0300113550 (Original Equipment)</b>	D
	1660303	Ref.	<b>S/N 0300113550 to S/N 0300138649 (Service Replacement)</b>	B
		Ref.	<b>4WS</b>	
	1660258	Ref.	<b>S/N 0300087000 to S/N 0300113550 (Original Equipment)</b>	D
	1660304	Ref.	<b>S/N 0300113550 to S/N 0300138649 (Service Replacement)</b>	A
101	See Note	1	Body ( <b>Note: Not Available - Purchase Complete Assy</b> )	
102		2	Seal Options:	
	7026189		2WS S/N 0300087000 to S/N 0300113550	
	See Note		S/N 0300113550 to S/N 0300138649 ( <b>Note: Use Item 125</b> )	
	See Note		4WS ( <b>Note: Use Item 125</b> )	
103	See Note	2	O-Ring ( <b>Note: Use Item 125</b> )	
104	See Note	1	Housing ( <b>Note: Not Available - Purchase Complete Assy</b> )	



## SECTION 2 TURNTABLE

**FIGURE 2-18. ROTARY COUPLING INSTALLATIONS (USA BUILT MACHINES S/N 0300087000 TO S/N 0300138649) (CONTINUED)**

ITEM #	PART NUMBER	QTY.	DESCRIPTION	REV.
105	See Note	A/R	Seal, Cap ( <b>Note: Use Item 125</b> )	
		6	2WS	
		9	4WS	
106	See Note	A/R	O-Ring ( <b>Note: Use Item 125</b> )	
		6	2WS	
		9	4WS	
107		2	Ring Options:	
	7026503		2WS	
	7026511		4WS	
108		2	Ring, Retaining Options:	
	7026504		2WS	
	7013189		4WS	
109		A/R	Plug Options:	
		2	2WS	
	See Note		S/N 0300087000 to S/N 0300113550 ( <b>Note: Not Available for Purchase</b> )	
	80934561		S/N 0300113550 to S/N 0300138649	
		4	4WS	
	See Note		S/N 0300087000 to S/N 0300113550 ( <b>Note: Not Available for Purchase</b> )	
	80934561		S/N 0300113550 to S/N 0300138649	
110	See Note	1	Lug, Torque ( <b>Note: Not Available for Purchase</b> )	
111	Not Used			
112	7026197	4	Bolt 5/16in-18NC x 1-1/4in	
113	See Note	3	O-Ring ( <b>Note: Use Item 125</b> )	
114	See Note	1	O-Ring ( <b>Note: Use Item 125</b> )	
115	See Note	2	Bearing ( <b>Note: Use Item 125</b> )	
116	7024404	1	Block Valve Assembly	
117	7026505	1	Plug	
118	7026506	1	Valve, Check	
119	7026507	1	Plug	
120		1	Plunger, Valve Options:	
	7026508		S/N 0300087000 to S/N 0300113550	
	7024404		S/N 0300113550 to S/N 0300138649	
121	7026509	1	Spring, Compression	
122	See Note	A/R	Protective Netting (Not Shown) (S/N 0300087000 to S/N 0300113550 Only) ( <b>Note: Not Available for Purchase</b> )	
123 to 124	Not Used			
125		1	Seal Kit Options:	
			S/N 0300087000 to S/N 0300113550	
	7026510		2WS (Includes Items 103,105,106,113,114 & 115)	
	7026512		4WS (Includes Items 102,103,105,106,113,114 & 115)	
		1	S/N 0300113550 to S/N 0300138649	
	70001248		2WS (Includes Items 102,103,105,106,113,114 & 115)	
	Use 70002212		4WS (Includes Items 102,103,105,106,113,114 & 115) (was p/n 70001249)	

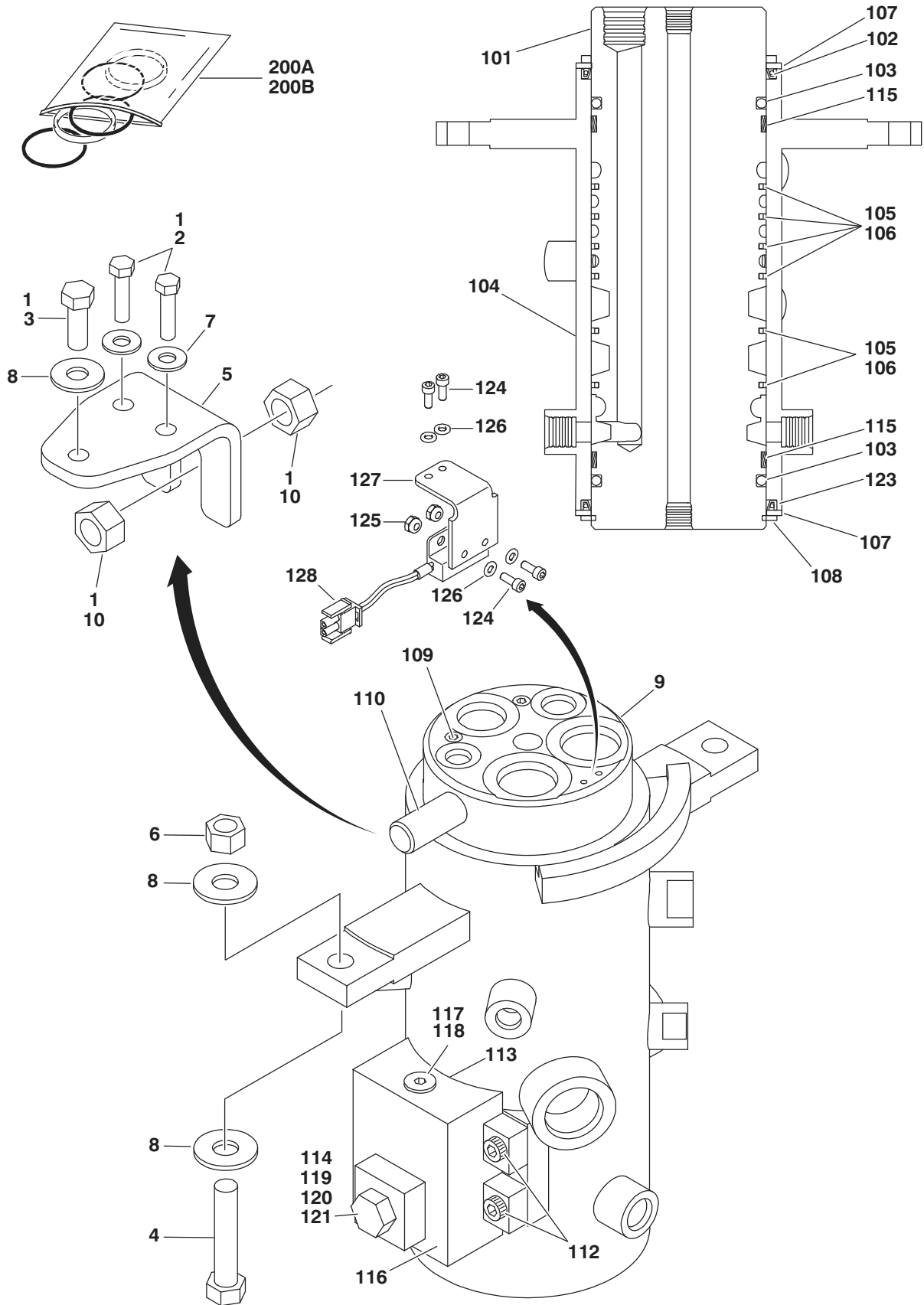
**SECTION 2 TURNTABLE**

**FIGURE 2-18. ROTARY COUPLING INSTALLATIONS (USA BUILT MACHINES S/N 0300087000 TO S/N 0300138649) (CONTINUED)**

ITEM #	PART NUMBER	QTY.	DESCRIPTION	REV.

# SECTION 2 TURNTABLE

**FIGURE 2-19. ROTARY COUPLING INSTALLATIONS (USA BUILT MACHINES S/N 0300138649 TO PRESENT & CHINA BUILT MACHINES S/N B300000100 TO PRESENT)**



## SECTION 2 TURNTABLE

**FIGURE 2-19. ROTARY COUPLING INSTALLATIONS (USA BUILT MACHINES S/N 0300138649 TO PRESENT & CHINA BUILT MACHINES S/N B300000100 TO PRESENT)**

ITEM #	PART NUMBER	QTY.	DESCRIPTION	REV.
		Ref.	<b>ROTARY COUPLING INSTALLATION</b>	
	1001107498	Ref.	<b>2WS</b>	A
	1001107499	Ref.	<b>4WS</b>	A
1	0100011	A/R	Compound, Locking	
2	0641612	2	Bolt 3/8in-16NC x 1-1/2in	
3	0641811	1	Bolt 1/2in-13NC x 1-3/8in	
4	0641820	2	Bolt 1/2in-13NC x 2-1/2in	
5	0903056	1	Bracket	
6	3271805	2	Locknut 1/2in-13NC	
7	4751600	2	Flatwasher 3/8in Regular	
8	4751800	5	Flatwasher 1/2in Regular	
9		1	Coupling, Rotary Options (See Items 101-121 for Breakdown):	
	1001106974		2WS	
	1001106975		4WS	
10	3322201	2	Locknut 3/4in x 16NF	
		Ref.	<b>ROTARY COUPLING ASSEMBLY</b>	
	1001106974	Ref.	<b>2WS</b>	B
	1001106975	Ref.	<b>4WS</b>	B
101	See Note	1	Body ( <b>Note: Not Available - Purchase Complete Assy</b> )	
102		1	Seal Options:	
	Use 70001248		2WS	
	Use 70002212		4WS	
103	See Note	2	O-Ring ( <b>Note: Use Item 200A or 200B</b> )	
104	See Note	1	Housing ( <b>Note: Not Available - Purchase Complete Assy</b> )	
105		A/R	Seal, Cap	
	Use 70001248	6	2WS	
	Use 70002212	9	4WS	
106		A/R	O-Ring	
	Use 70001248	6	2WS	
	Use 70002212	9	4WS	
107		2	Ring Options:	
	7026503		2WS	
	7026511		4WS	
108		1	Ring, Retaining Options:	
	7026504		2WS	
	7013189		4WS	
109		A/R	Plug Options:	
	80934561	2	2WS	
	80934561	4	4WS	
110	See Note	1	Lug, Torque ( <b>Note: Not Available for Purchase</b> )	
111	Not Used			
112	7026197	4	Bolt 5/16in-18NC x 1-1/4in	
113	See Note	3	O-Ring ( <b>Note: Use Item 200A or 200B</b> )	
114	See Note	1	O-Ring ( <b>Note: Use Item 200A or 200B</b> )	
115	See Note	2	Bearing ( <b>Note: Use Item 200A or 200B</b> )	

## SECTION 2 TURNTABLE

**FIGURE 2-19. ROTARY COUPLING INSTALLATIONS (USA BUILT MACHINES S/N 0300138649 TO PRESENT & CHINA BUILT MACHINES S/N B300000100 TO PRESENT) (CONTINUED)**

ITEM #	PART NUMBER	QTY.	DESCRIPTION	REV.
116	7024404	1	Block Valve Assembly	
117	7026505	1	Plug	
118	7026506	1	Valve, Check	
119	7026507	1	Plug	
120	Use 7024404	1	Plunger, Valve <b>(Note: Not Available for Purchase)</b>	
121	7026509	1	Spring, Compression	
122	See Note	A/R	Protective Netting (Not Shown) <b>(Note: Not Available for Purchase)</b>	
123		1	Seal Options:	
	Use 70001248		2WS	
	Use 70002212		4WS	
124	See Note	4	Screw, Socket Head #10-24NC x 1/2in <b>(Note: Not Available for Purchase)</b>	
125	See Note	2	Locknut #10-24NC <b>(Note: Not Available for Purchase)</b>	
126	See Note	4	Flatwasher #10 <b>(Note: Not Available for Purchase)</b>	
127	70003454	1	Bracket, Switch Mounting	
128	4360517	1	Switch, Proximity	
129 to 199	Not Used			
200		1	Seal Kit Options:	
200A	70001248		2WS (Includes Items 102,103,105,106,113,114,115 & 123)	
200B	70002212		4WS (Includes Items 102,103,105,106,113,114,115 & 123)	

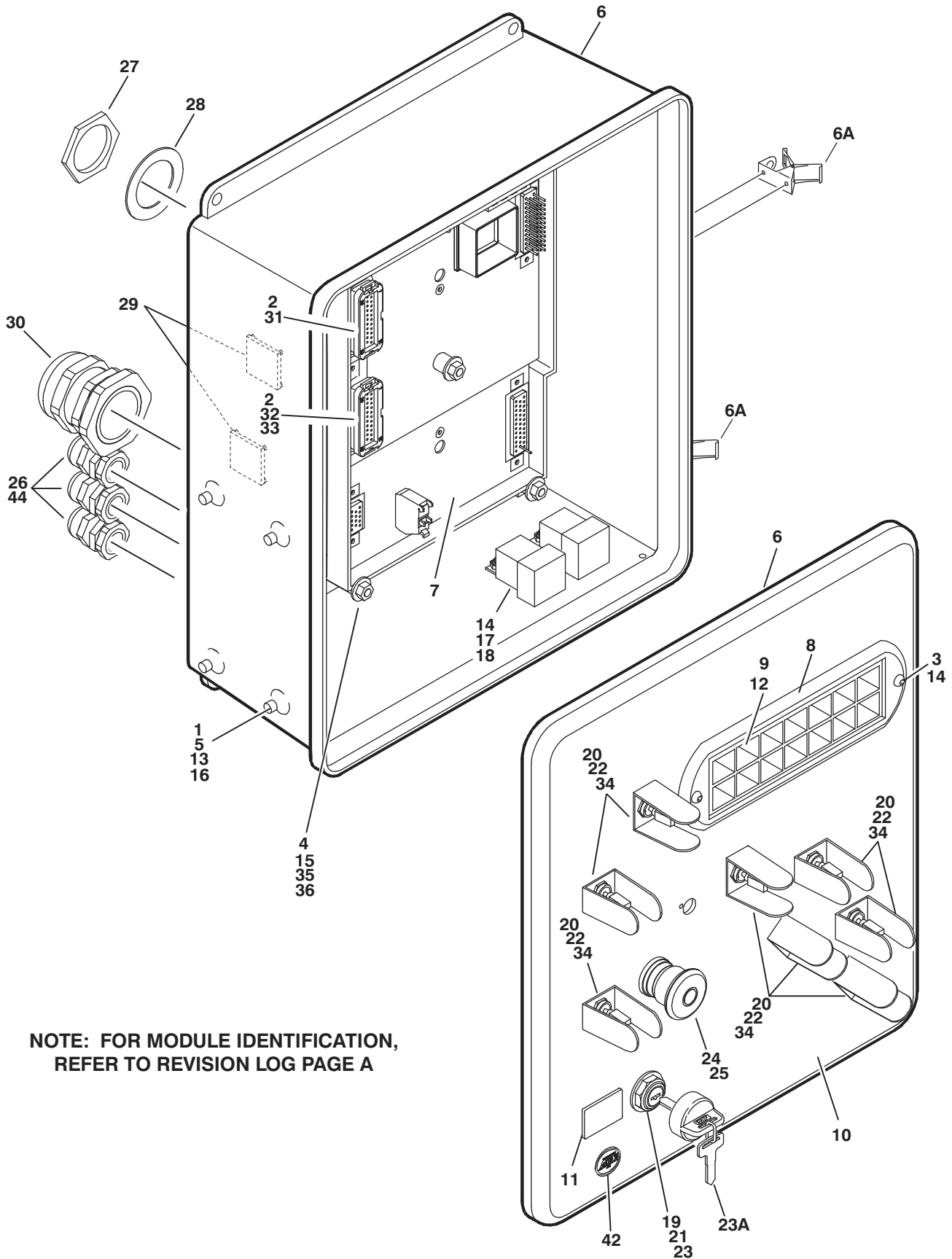
**SECTION 2 TURNTABLE**

**FIGURE 2-19. ROTARY COUPLING INSTALLATIONS (USA BUILT MACHINES S/N 0300138649 TO PRESENT & CHINA BUILT MACHINES S/N B300000100 TO PRESENT) (CONTINUED)**

ITEM #	PART NUMBER	QTY.	DESCRIPTION	REV.

# SECTION 2 TURNTABLE

FIGURE 2-20. GROUND CONTROL BOX ASSEMBLY (WITHOUT UGM)



NOTE: FOR MODULE IDENTIFICATION,  
REFER TO REVISION LOG PAGE A

## SECTION 2 TURNTABLE

**FIGURE 2-20. GROUND CONTROL BOX ASSEMBLY (WITHOUT UGM)**

ITEM #	PART NUMBER	QTY.	DESCRIPTION	REV.
		Ref.	<b>Note: Only Available on USA Built Machines.</b>	
		Ref.	<b>GROUND CONTROL BOX ASSEMBLIES</b>	
		Ref.	<b>600A:</b>	
		Ref.	<b>S/N 0300087000 to S/N 0300099061:</b>	
	0861700	Ref.	<b>Caterpillar Engine (ANSI &amp; ANSI Export Specs)</b>	B
	0861702	Ref.	<b>Caterpillar Engine (Australian &amp; CE Specs)</b>	B
	0861689	Ref.	<b>Deutz Engine (ANSI &amp; ANSI Export Specs)</b>	B
	0861691	Ref.	<b>Deutz Engine (Australian &amp; CE Specs)</b>	B
	0861704	Ref.	<b>Ford Engine (ANSI &amp; ANSI Export Specs)</b>	B
	0861786	Ref.	<b>GM Engine (ANSI &amp; ANSI Export Specs)</b>	B
		Ref.	<b>S/N 0300099061 to Present:</b>	
	1810061	Ref.	<b>Caterpillar Engine (ANSI &amp; ANSI Export Specs)</b>	D
	1810062	Ref.	<b>Caterpillar Engine (Australian &amp; CE Specs)</b>	E
	1810059	Ref.	<b>Deutz Engine (ANSI &amp; ANSI Export Specs)</b>	C
	1810060	Ref.	<b>Deutz Engine (Australian &amp; CE Specs)</b>	C
	1810058	Ref.	<b>GM Engine (ANSI &amp; ANSI Export Specs)</b>	C
		Ref.	<b>600AJ:</b>	
		Ref.	<b>S/N 0300087000 to S/N 0300099061:</b>	
	0861701	Ref.	<b>Caterpillar Engine (ANSI &amp; ANSI Export Specs)</b>	B
	0861703	Ref.	<b>Caterpillar Engine (Australian &amp; CE Specs)</b>	B
	0861690	Ref.	<b>Deutz Engine (ANSI &amp; ANSI Export Specs)</b>	B
	0861692	Ref.	<b>Deutz Engine (ANSI &amp; ANSI Export Specs)</b>	B
	0861705	Ref.	<b>Ford Engine (ANSI &amp; ANSI Export Specs)</b>	B
	0861787	Ref.	<b>GM Engine (ANSI &amp; ANSI Export Specs)</b>	B
		Ref.	<b>S/N 0300099061 to Present:</b>	
	1810066	Ref.	<b>Caterpillar Engine (ANSI &amp; ANSI Export Specs)</b>	D
	1810067	Ref.	<b>Caterpillar Engine (Australian &amp; CE Specs)</b>	E
	1810064	Ref.	<b>Deutz Engine (ANSI &amp; ANSI Export Specs)</b>	C
	1810065	Ref.	<b>Deutz Engine (ANSI &amp; ANSI Export Specs)</b>	C
	1810065	Ref.	<b>Deutz Engine (ANSI &amp; ANSI Export Specs)</b>	B
	1810063	Ref.	<b>GM Engine (ANSI &amp; ANSI Export Specs)</b>	C
1	0100011	A/R	Compound, Locking	
2	0100048	A/R	Grease, Dielectric	
3	0630518	2	Capscrew, Button Head	
4	0630548	5	Tap, Bolt 2-1/2in	
5	0641506	4	Bolt 5/16in-18NC x 3/4in	
6	0861407	1	Box, Fiberglass	
6A	7020246	2	Latch	
7		1	Module, Ground Control Options (Re-calibration Required when Replaced):	
	1600364		Ford Engine	
	1600364		Caterpillar Engine (S/N 0300087000 to S/N 0300099061)	
	1600411		Caterpillar Engine (S/N 0300099061 to Present)	
	1600411		Deutz/GM Engine	
8	1670829	1	Bezel	



## SECTION 2 TURNTABLE

**FIGURE 2-20. GROUND CONTROL BOX ASSEMBLY (WITHOUT UGM) (CONTINUED)**

ITEM #	PART NUMBER	QTY.	DESCRIPTION	REV.
9	1705753 1706712	1	Decal - Ground Control Display Options: S/N 0300087000 to S/N 0300099061 S/N 0300099061 to Present	
10	1703467 1706912 1001102599 1703468 1706913 1001102600	1	Decal - Faceplate Options: 600A (S/N 0300087000 to S/N 0300099061) 600A (S/N 0300099061 to S/N 0300135301) 600A (S/N 0300135301 to Present) 600AJ (S/N 0300087000 to S/N 0300099061) 600AJ (S/N 0300099061 to S/N 0300135301) 600AJ (S/N 0300135301 to Present)	
11	2420172	1	Gauge, Hourmeter	
12	2760105	1	Housing, Display Light	
13	3300205	4	Nut, Retainer	
14	3300408	A/R	Locknut, Plastic Insert	
15	3311401	A/R	Nut 1/4in-20NC	
16	3539219	1	Plate, Reinforcement	
17	3740049	A/R	Relay	
18	3900268	2	Screw, Flange #10 x 1/2in	
19	3910804	6	Screw #8-32NC x 1/4in	
20	4060906	A/R	Shield, Toggle Switch S/N 0300087000 to S/N 0300135301 S/N 0300135301 to Present	
21	4070987	1	Shim (.125in)	
22	4360328	A/R	Switch, Toggle	
23	4360469 4360470	1	Switch, Key Options: ANSI & ANSI Export Specs Australian & CE Specs	
23A	2860030	1	Key, Replacement (Fits Both Switches)	
24	4360475	1	Switch, Emergency Stop	
25	4360476	1	Switch, Contact Block	
26	4460426	A/R	Terminal, Strain Relief	
27	4460470	1	Nut, Terminal	
28	4460471	1	Lockwasher, Terminal	
29	4460488	A/R	Mounting Base, Terminal	
30	4460526	1	Connector, Strain Relief	
31	4460874	1	Connector, Natural	
32	4460875	1	Connector, Gray	
33	4460905	4	Connector, Amp Seal Plug	
34	4740444	A/R	Washer, Special	
35	4751400	20	Flatwasher 1/4in Regular	
36	4761400	A/R	Lockwasher 1/4in	
37 to 41	Not Used			
42	1705132	1	Decal - Control ADE (S/N 0300087000 to S/N 0300099061)	
43	Not Used			
44	3520035	A/R	Plug, Cap	

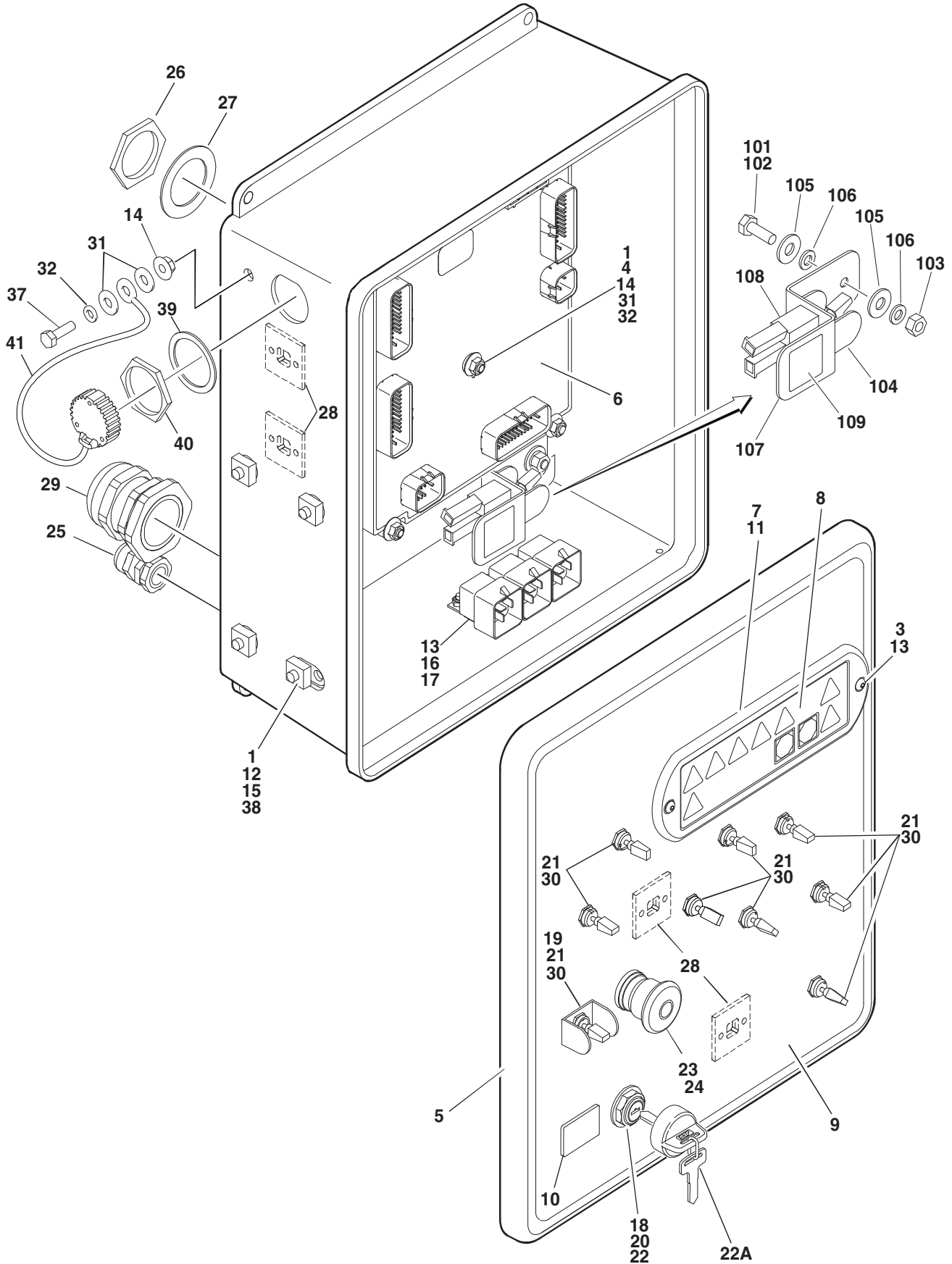
**SECTION 2 TURNTABLE**

**FIGURE 2-20. GROUND CONTROL BOX ASSEMBLY (WITHOUT UGM) (CONTINUED)**

ITEM #	PART NUMBER	QTY.	DESCRIPTION	REV.

# SECTION 2 TURNTABLE

## FIGURE 2-21. GROUND CONTROL BOX ASSEMBLY (WITH UGM)



## SECTION 2 TURNTABLE

**FIGURE 2-21. GROUND CONTROL BOX ASSEMBLY (WITH UGM)**

ITEM #	PART NUMBER	QTY.	DESCRIPTION	REV.
		Ref.	<b>GROUND CONTROL BOX ASSEMBLIES</b>	
		Ref.	<b>600A:</b>	
	1001110373	Ref.	<b>Caterpillar Engine (ANSI &amp; ANSI Export Specs)</b>	A
	1001110375	Ref.	<b>Caterpillar Engine (Australian &amp; ANSI Export Spec USA Built Machines S/N 030008700 to S/N 0300148900 &amp; China Built Machines S/N B30000100 to S/N B300000259)</b>	A
	1001110373	Ref.	<b>Caterpillar Engine (Australian &amp; ANSI Export Spec USA Built Machines S/N 0300148900 to Present &amp; China Built Machines S/N B300000259 to Present)</b>	A
	1001110375	Ref.	<b>Caterpillar Engine (ANSI Export &amp; CE Specs)</b>	A
	1001110368	Ref.	<b>Deutz Engine (ANSI &amp; ANSI Export Specs)</b>	A
	1001110371	Ref.	<b>Deutz Engine (Australian &amp; ANSI Export Spec USA Built Machines S/N 030008700 to S/N 0300148900 &amp; China Built Machines S/N B30000100 to S/N B300000259)</b>	A
	1001110368	Ref.	<b>Deutz Engine (Australian &amp; ANSI Export Spec USA Built Machines S/N 0300148900 to Present &amp; China Built Machines S/N B300000259 to Present)</b>	A
	1001110371	Ref.	<b>Deutz Engine (ANSI Export &amp; CE Specs)</b>	A
	1001110367	Ref.	<b>GM Engine (ANSI &amp; ANSI Export Specs)</b>	A
		Ref.	<b>600AJ:</b>	
	1001110374	Ref.	<b>Caterpillar Engine (ANSI &amp; ANSI Export Specs)</b>	A
	1001110376	Ref.	<b>Caterpillar Engine (Australian &amp; ANSI Export Spec USA Built Machines S/N 030008700 to S/N 0300148900 &amp; China Built Machines S/N B30000100 to S/N B300000259)</b>	A
	1001110374	Ref.	<b>Caterpillar Engine (Australian &amp; ANSI Export Spec USA Built Machines S/N 0300148900 to Present &amp; China Built Machines S/N B300000259 to Present)</b>	A
	1001110376	Ref.	<b>Caterpillar Engine (ANSI Export &amp; CE Specs)</b>	A
	1001110370	Ref.	<b>Deutz Engine (ANSI &amp; ANSI Export Specs)</b>	A
	1001110372	Ref.	<b>Deutz Engine (Australian &amp; ANSI Export Spec USA Built Machines S/N 030008700 to S/N 0300148900 &amp; China Built Machines S/N B30000100 to S/N B300000259)</b>	A
	1001110370	Ref.	<b>Deutz Engine (Australian &amp; ANSI Export Spec USA Built Machines S/N 0300148900 to Present &amp; China Built Machines S/N B300000259 to Present)</b>	A
	1001110372	Ref.	<b>Deutz Engine (ANSI Export &amp; CE Specs)</b>	A
	1001110369	Ref.	<b>GM Engine (ANSI &amp; ANSI Export Specs)</b>	A
1	0100011	A/R	Compound, Locking	
2	0100048	A/R	Grease, Dielectric	
3	0630518	2	Capscrew, Button Head	
4	0630548	5	Tap, Bolt 2-1/2in	
5	1001111021	1	Box, Fiberglass	
6	1001103667	1	Module, Ground Control Options (Re-calibration Required when Replaced):	
7	1670829	1	Bezel	
8	1706712	1	Decal - Ground Control Display	
9		1	Decal - Faceplate Options:	
	1001102599		600A	
	1001102600		600AJ	
10	2420172	1	Gauge, Hourmeter	
11	2760105	1	Housing, Display Light	

## SECTION 2 TURNTABLE

**FIGURE 2-21. GROUND CONTROL BOX ASSEMBLY (WITH UGM) (CONTINUED)**

ITEM #	PART NUMBER	QTY.	DESCRIPTION	REV.
12	3300205	4	Nut, Retainer	
13	3300408	5	Locknut, Plastic Insert	
14	77143013	11	Nut 1/4in-20NC, Whiz Lock	
15	3539219	1	Plate, Reinforcement	
16	3740049	A/R	Relay Options:	
		3	Caterpillar Engine	
		2	GM Engine	
17	3900268	A/R	Screw, Flange #10 x 1/2in	
18	3910804	6	Screw #8-32NC x 1/4in	
19	4060906	1	Shield, Toggle Switch	
20	4070987	1	Shim (.125in)	
21	4360328	A/R	Switch, Toggle Options:	
		8	600A	
		9	600AJ	
22		1	Switch, Key Options:	
	4360469		ANSI & ANSI Export Specs	
	4360470		Australian & ANSI Export Spec USA Built Machines S/N 030008700 to S/N 0300148900 & China Built Machines S/N B30000100 to S/N B300000259)	
	4360469		Australian & ANSI Export Spec USA Built Machines S/N 0300148900 to Present & China Built Machines S/N B300000259 to Present)	
	4360470		ANSI Export & CE Specs	
22A	2860030	1	Key, Replacement (Fits Both Switches)	
23	4360475	1	Switch, Emergency Stop	
24	4360476	1	Switch, Contact Block	
25	4460426	1	Terminal, Strain Relief	
26	4460470	1	Nut, Terminal	
27	4460471	1	Lockwasher, Terminal	
28	4460488	6	Mounting Base, Terminal	
29	4460526	1	Connector, Strain Relief	
30	4740444	A/R	Washer, Special	
31	4751400	12	Flatwasher 1/4in Regular	
32	4761400	6	Lockwasher 1/4in	
33	4923224	1	Harness, Valve (See Section 7 for Breakdown) (Not Shown)	
34		1	Harness, Engine (See Section 7 for Breakdown) (Not Shown)	
	1001110362		Caterpillar Engine	
	1001110361		Deutz Engine	
	1001110359		GM Engine	
35	1001110379	1	Harness, Ground Control Box (See Section 7 for Breakdown) (Not Shown)	
36	Not Used			
37	0641407	1	Bolt 1/4in-20NC x 7/8in	
38	0641506	4	Bolt 5/16in-18NC x 3/4in	
39	4460496	1	Lockwasher, Terminal	
40	4460497	1	Nut, Terminal	
41	1001106736	1	Cap, Dust	

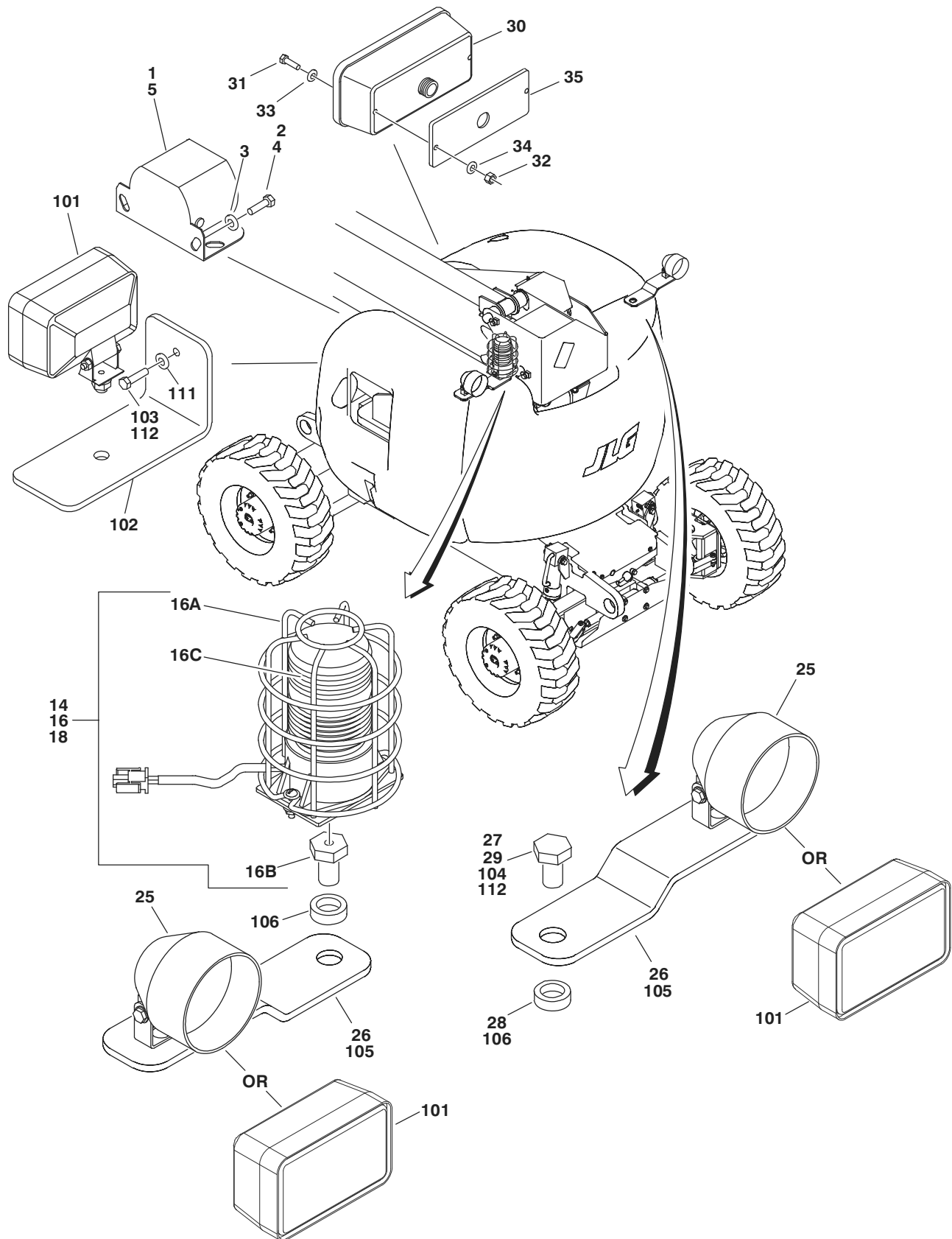
**SECTION 2 TURNTABLE**

**FIGURE 2-21. GROUND CONTROL BOX ASSEMBLY (WITH UGM) (CONTINUED)**

ITEM #	PART NUMBER	QTY.	DESCRIPTION	REV.
	1001115918	Ref.	<b>CRIBBING ENABLE SWITCH INSTALLATION</b>	A
101	0100011	A/R	Compound, Locking	
102	0641406	1	Bolt 1/4in-20NC x 3/4in	
103	3311401	1	Nut 1/4in-20NC	
104	4060906	1	Guard, Switch	
105	4751400	2	Flatwasher 1/4in Regular	
106	4761400	2	Lockwasher 1/4in	
107	1001115889	1	Bracket	
108	1001115915	1	Cribbing Enable Harness	
	4360336	1	Switch, Toggle	
	4460226	2	Socket, Female	
109	1001115967	1	Decal - Cribbing	

## SECTION 2 TURNTABLE

FIGURE 2-22. ELECTRICAL OPTIONS INSTALLATIONS (TURNTABLE MOUNTED)



## SECTION 2 TURNTABLE

**FIGURE 2-22. ELECTRICAL OPTIONS INSTALLATIONS (TURNTABLE MOUNTED)**

ITEM #	PART NUMBER	QTY.	DESCRIPTION	REV.
	0270833	Ref.	<b>ALARMS INSTALLATIONS</b>	C
1	0257887	1	Alarm/Harness Assembly	
	0140032	1	Alarm	
	2820035	6in/15cm	Loom	
	4460424	1	Plug	
	4460268	2	Socket	
2	0641406	2	Bolt 1/4in-20NC x 3/4in	
3	4711400	2	Flatwasher 1/4in Thin	
4	0100011	A/R	Compound, Locking	
5	0100048	A/R	Sealant, Silicone	
6 to 13	Not Used			
	0270805	Ref.	<b>STROBE LIGHT INSTALLATIONS (AMBER) (OPTIONAL)</b>	C
14	0100011	A/R	Compound, Locking	
15	4240032	1	Wire-Tie (Not Shown)	
16	Use 0272507	1	Strobe Light/Guard/Harness Assembly (was p/n 0255917)	B
16A		1	Guard Options:	
	4060907		Guard used with ECCO Model 6640	
	2920215		Guard used with ECCO Model 6650	
16B		1	Adapter Options:	
	0630491		Adapter used with ECCO Model 6640	
	0080241		Adapter used with ECCO Model 6650	
16C	Use 0272507	1	Lamp, Amber (was p/n 2920130 & 2920214)	
	7016380	1	Bulb, Replacement used with ECCO Model 6640	
	70001941	1	Bulb, Replacement used with ECCO Model 6650	
17	4460234	1	Clamp (Not Shown)	
18	0100048	A/R	Sealant, Silicone (Not Shown)	
19 to 24	Not Used			
	0271552	Ref.	<b>LIGHTS INSTALLATIONS (OPTIONAL)</b>	C
25	2920110	2	Headlight	
26	0902206	2	Bracket, Mounting	
27	0642612	1	Bolt 1in-8NC x 1-1/2in	
28	4220162	2	Spacer	
29	0100011	A/R	Compound, Locking	
30	2920113	2	Taillight	
31	3911040	4	Screw, Machine #10-24NC x 2-1/2	
32	3311005	4	Nut #10-24NC	
33	4751000	4	Flatwasher #10 Regular	
34	4740362	4	Washer, Fender	
35	3960461	2	Gasket	
36	Not Used			
37	4240032	18	Tie-Strap (Not Shown)	
38	4460234	18	Mount, Tie-Strap (Not Shown)	



## SECTION 2 TURNTABLE

**FIGURE 2-22. ELECTRICAL OPTIONS INSTALLATIONS (TURNTABLE MOUNTED)**

ITEM #	PART NUMBER	QTY.	DESCRIPTION	REV.
39	4360336	1	Switch Options (Not Shown - Located on Console): Switch, Toggle (Not Shown - Located at Platform Console Box):	
	4360336		Switch, Toggle (USA Built Machines S/N 0300087000 to S/N 0300136623)	
	4360522		Switch, Push Button (USA Built Machines S/N 0300136623 to Present)	
	4360522		Switch, Push Button (China Built Machines S/N B300000100 to Present)	
40	3790012	A/R	O-Ring (Not Shown - Located on Console) (USA Built Machines S/N 0300087000 to S/N 0300136623)	
41	3820001	11	Pop Rivet (Not Shown)	
42	1705170	1	Decal - Lights (Not Shown - Located on Console) (USA Built Machines S/N 0300136623 to Present & China Built Machines S/N B300000100 to Present)	
	0274200	Ref.	<b>CHASSIS ILLUMINATION LIGHT INSTALLATION</b>	B
101	2920157	4	Lamp, Worklight	
102	0903119	2	Bracket, Light Mounting	
103	0642612	A/R	Bolt 1/4in-20NC x 7/8in	
104	0642612	2	Bolt 1in-8NC x 1-1/2in	
105	0902206	2	Bracket, Light Mounting	
106	4220162	2	Spacer	
107	Not Used			
108	3790012	A/R	O-Ring (Not Shown - Located at Platform Console Box)	
109		1	Switch Options (Not Shown - Located at Platform Console Box):	
	4360336		Switch, Toggle (USA Built Machines S/N 0300087000 to S/N 0300136623)	
	4360522		Switch, Push Button (USA Built Machines S/N 0300136623 to Present)	
	4360522		Switch, Push Button (China Built Machines S/N B300000100 to Present)	
110	4460234	10	Mount, Cable (Not Shown)	
111	4751400	2	Flatwasher 1/4in Regular	
112	0100011	A/R	Compound, Locking	
113	4240032	21	Strap, Tie (Not Shown)	
114	1705170	1	Decal - Lights	

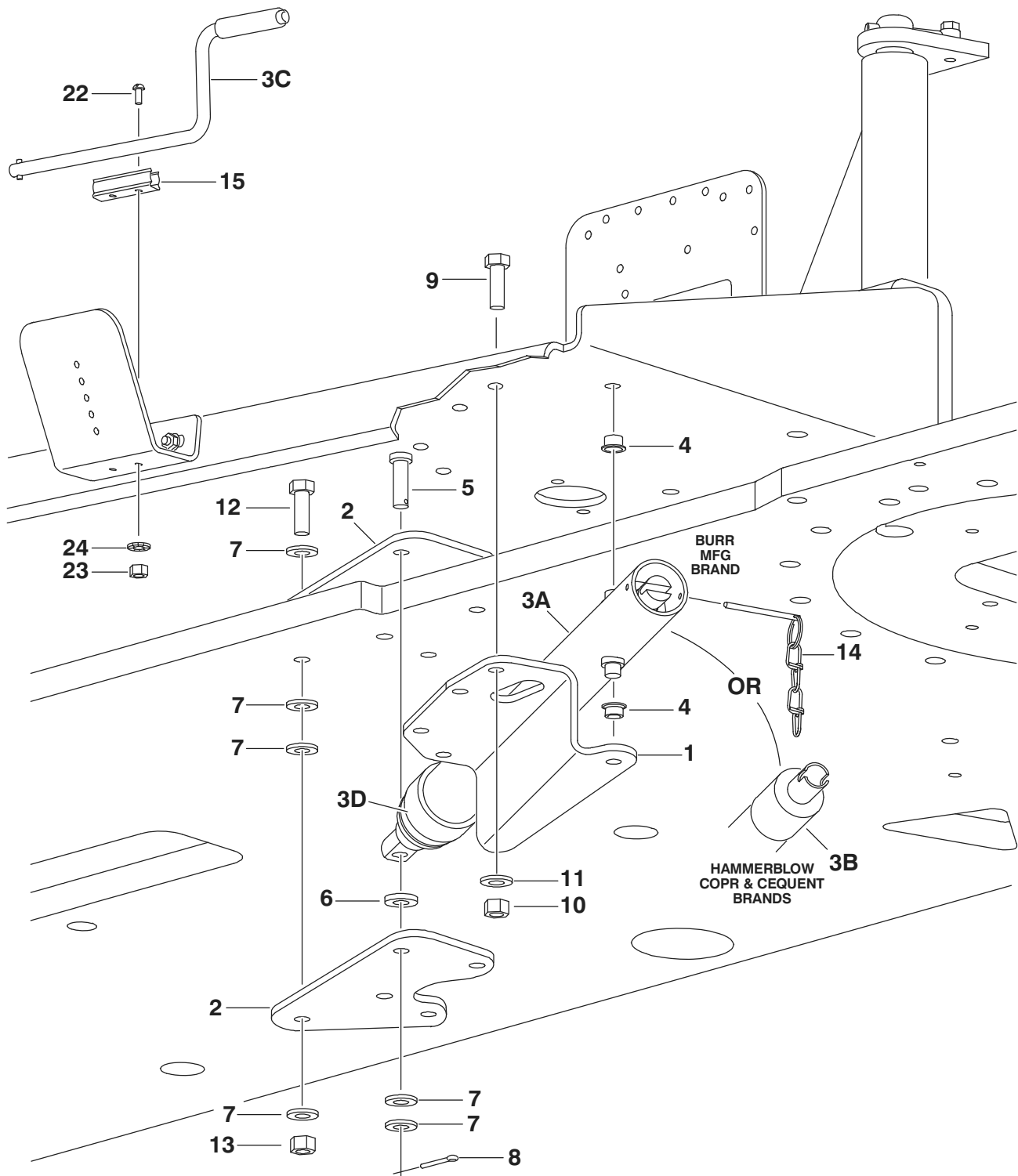
**SECTION 2 TURNTABLE**

**FIGURE 2-22. ELECTRICAL OPTIONS INSTALLATIONS (TURNTABLE MOUNTED)**

ITEM #	PART NUMBER	QTY.	DESCRIPTION	REV.

## SECTION 2 TURNTABLE

FIGURE 2-23. ENGINE TRAY JACK INSTALLATIONS (OPTIONAL)



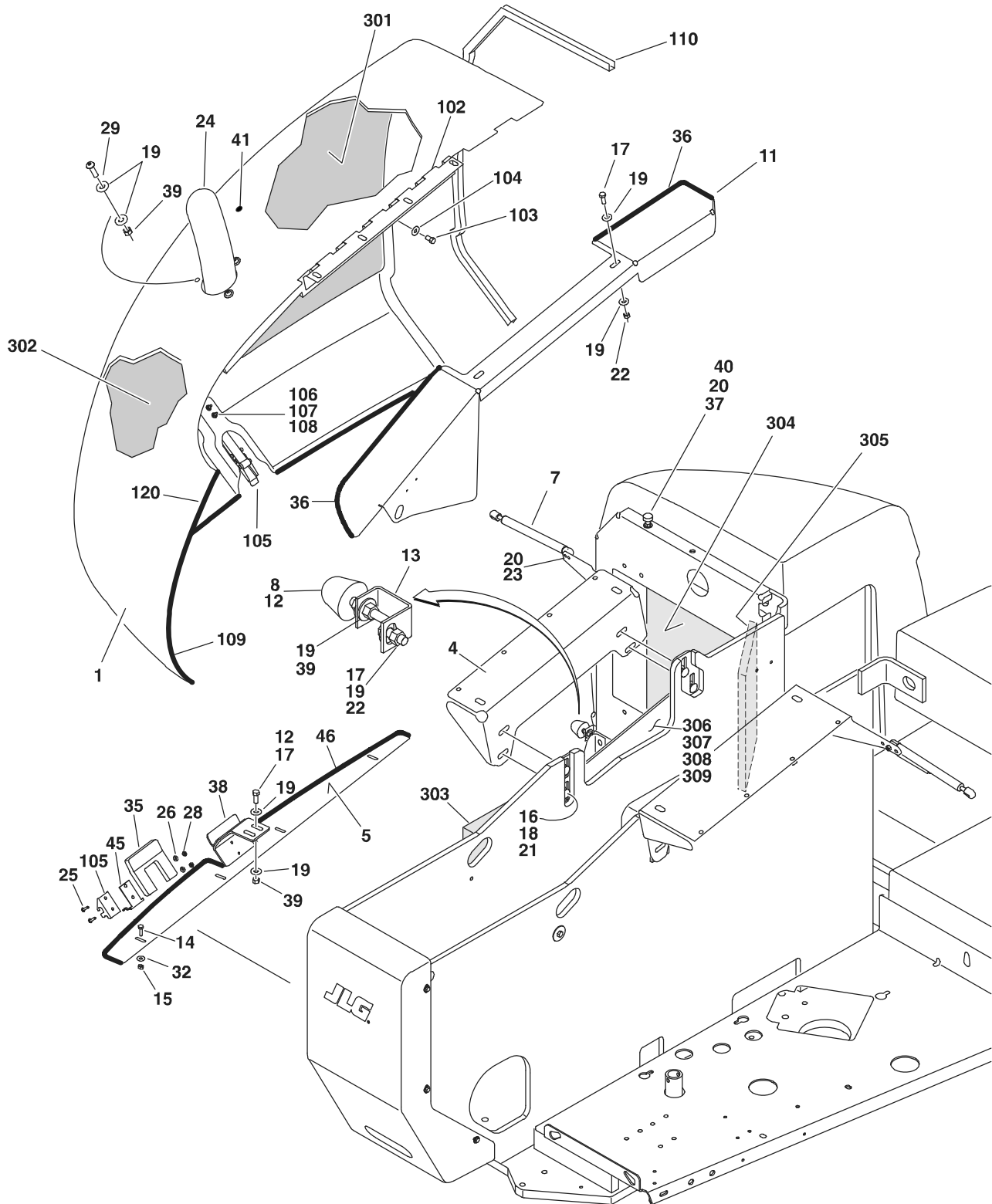
**SECTION 2 TURNTABLE**

**FIGURE 2-23. ENGINE TRAY JACK INSTALLATIONS (OPTIONAL)**

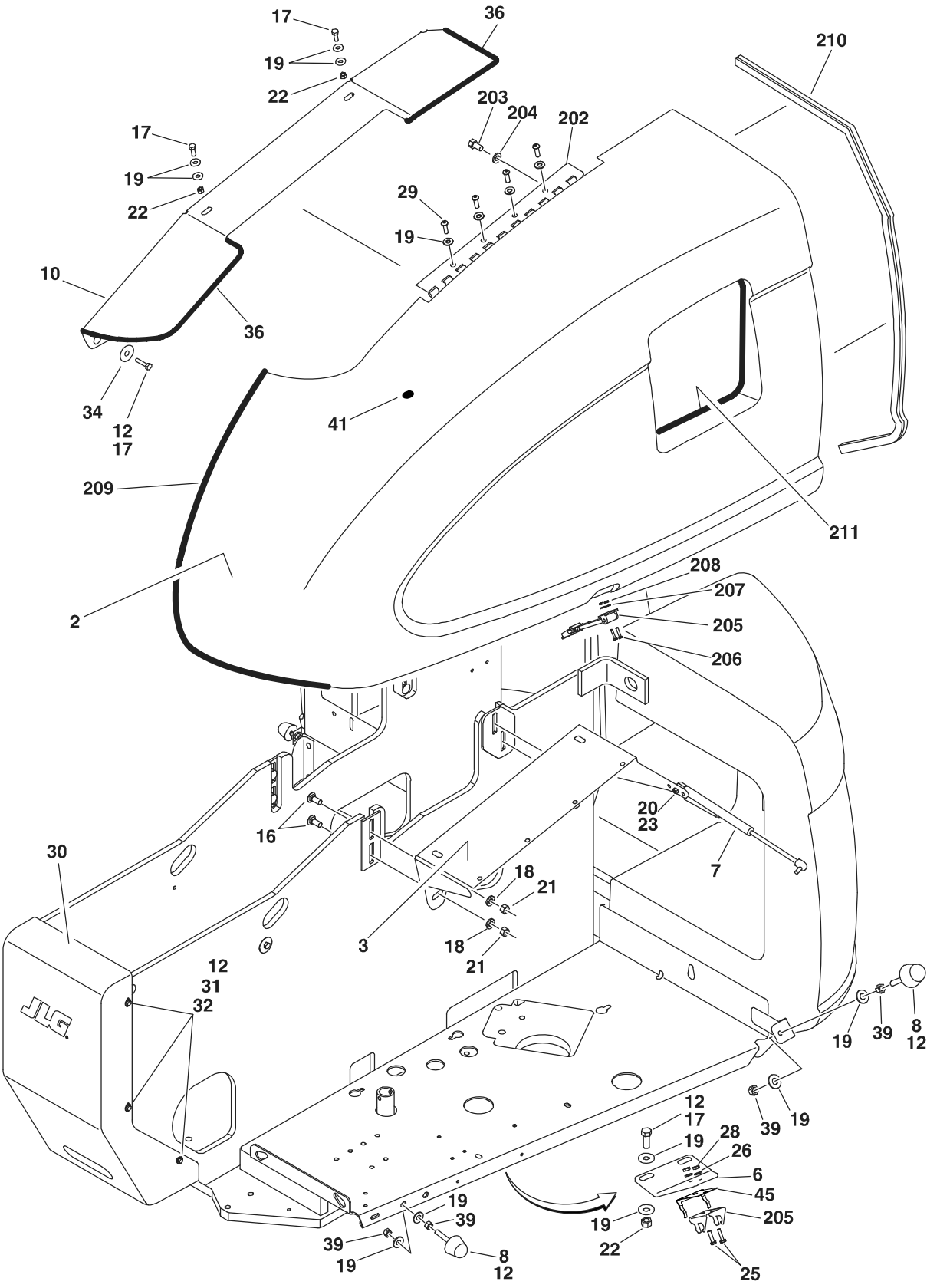
ITEM #	PART NUMBER	QTY.	DESCRIPTION	REV.
	0255880	Ref.	<b>ENGINE TRAY JACK INSTALLATION</b>	6/H
1	3537445	1	Bracket	
2	4845163	1	Bracket	
3	2840018	1	Hydraulic Jack Assembly	
3A			Burr Manufacturing Brand	
3B			Hammerblow Corp & Cequent Brands	
3C		1	Handle Options:	
	7016374		Burr Manufacturing Brand	
	7024598		Hammerblow Corp & Cequent Brands	
3D	7016322	1	Wiper (Burr Manufacturing Brand Only)	
4	0962051	2	Bushing, Flanged	
5	3430816	1	Pin, Clevis	
6	4891800	1	Flatwasher 1/2in Hardened	
7	4711800	A/R	Flatwasher 1/2in Thin	
8	3450404	1	Pin, Cotter 1/8in x 1in	
9	0641609	4	Bolt 3/8in-16NC x 1-1/8in	
10	3311605	4	Locknut 3/8in-16NC	
11	4891600	4	Flatwasher 3/8in Hardened	
12	0641812	4	Bolt 1/2in-13NC x 1-1/2in	
13	Not Used			
14	Not Required			
15	1380147	1	Clip, Spring	
16 to 21	Not Used			
22	3910608	2	Screw #6-32NC x 1in	
23	3310601	2	Nut #6-32NC	
24	4770600	2	Starwasher #6	

# SECTION 2 TURNTABLE

FIGURE 2-24. HOODS INSTALLATIONS (USA BUILT MACHINES S/N 0300087000 TO S/N 0300089989)



SECTION 2 TURNTABLE



## SECTION 2 TURNTABLE

**FIGURE 2-24. HOODS INSTALLATIONS (USA BUILT MACHINES S/N 0300087000 TO S/N 0300089989)**

ITEM #	PART NUMBER	QTY.	DESCRIPTION	REV.
		Ref.	<b>Note: Replacement decals must be ordered separately.</b>	
		Ref.	<b>HOODS INSTALLATIONS</b>	
	0256821	Ref.	<b>Caterpillar &amp; Deutz Engine Machines</b>	5
	0274204	Ref.	<b>Ford Engine Machines</b>	2
1		1	Hood - Engine Side Options (See Items 101- 120 for Breakdown): Caterpillar & Deutz Engine Machines (was p/n 2680440) Ford Engine Machines (was p/n 1671179)	
	Use 1671218			
	Use 1671217			
2	Use 1671216	1	Hood - Tank Side (was p/n 2680441 - See Items 201 - 211 for Breakdown)	
3	4845203	1	Mount - Tank Side	
4	4845414	1	Mount - Engine Side	
5	3539923	1	Plate, Seal	
6	0902242	1	Bracket, Latch - Tank Side	
7	4160143	2	Spring, Gas	
8	0940071	3	Bumper	
9	Not Used			
10	2680434	1	Spacer, Hood (Tank Side)	
11	2680433	1	Spacer, Hood (Engine Side)	
12	0100011	A/R	Compound, Locking	
13	0902219	1	Bracket, Bumper	
14	0641407	4	Bolt 1/4in-20NC x 7/8in	
15	3311405	4	Locknut 1/4in-20NC	
16	0630507	8	Bolt, Carriage 1/2in-13NC x 1-1/4in	
17	0641608	11	Bolt 3/8in-16NC x 1in	
18	4740171	8	Flatwasher 1/2in Hardened	
19	4751600	A/R	Flatwasher 3/16in Regular	
20	4751500	A/R	Flatwasher 5/16in Regular	
21	3311805	8	Locknut 1/2in-13NC	
22	3311605	A/R	Locknut 3/8in-16NC	
23	3311505	A/R	Locknut 5/16in-18NC	
24		1	Outlet, Exhaust Options: Caterpillar & Deutz Engine Machines Ford Engine Machines	
	4845194			
	3460420			
25	0721006	4	Bolt #10-24NC x 3/4in	
26	4751000	4	Flatwasher #10 Regular	
27	4761000	4	Lockwasher #10	
28	3311005	4	Locknut #10-24NC	
29	3900232	A/R	Bolt, Button Head 3/8in-16NC x 1in	
30	1670767	1	Cover, Turntable	
31		6	Bolt Options: Bolt 1/4in-20NC x 1/2in - Caterpillar & Deutz Engine Machines Bolt 1/4in-20NC x 3/4in - Ford Engine Machines	
	0641404			
	0641405			
32	4751400	A/R	Flatwasher 1/4in Regular	
33	0641606	A/R	Bolt 3/8in-16NC x 3/4in (Not Shown)	
34	4740076	2	Washer, Fender	
35	3960467	1	Seal, Foam	
36	3960418	7ft/2.1m	Seal	

## SECTION 2 TURNTABLE

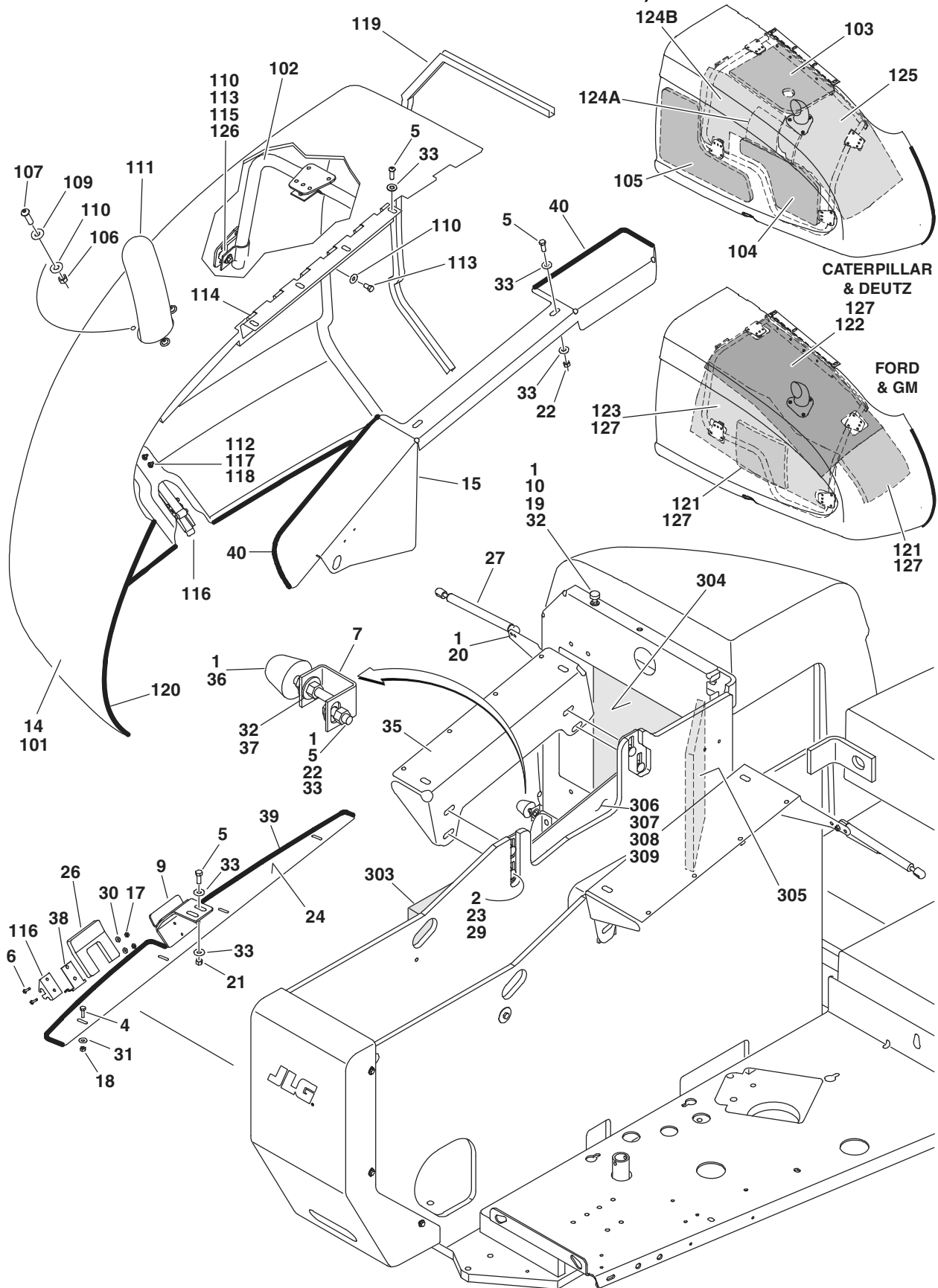
**FIGURE 2-24. HOODS INSTALLATIONS (USA BUILT MACHINES S/N 0300087000 TO S/N 0300089989) (CONTINUED)**

ITEM #	PART NUMBER	QTY.	DESCRIPTION	REV.
37	0940049	1	Bumper	
38	0902335	1	Bracket, Latch - Engine Side	
39	3311601	11	Nut 3/8in-16NC	
40	3311501	2	Nut 5/16in-18NC	
41	3520033	2	Plug	
42	Not Used			
43	3311601	1	Nut 3/8in-16NC	
44	4751600	2	Flatwasher 3/16in Regular	
		Ref.	<b>HOOD - ENGINE SIDE</b>	
	2680440	Ref.	<b>Caterpillar &amp; Deutz Engine Machines</b>	2
	1671179	Ref.	<b>Ford Engine Machines</b>	2
101	Not Used			
102	2600210	1	Hinge	
103	0641612	4	Bolt 3/8in-16NC x 1-1/2in	
104	4711600	4	Flatwasher 3/8in Thin	
105	2940088	1	Latch, Hood	
106	0721008	2	Screw #10-24NC x 1in	
107	4751000	2	Flatwasher #10 Regular	
108	3311005	2	Locknut #10	
109	3960389	A/R	Seal	
110	3960462	A/R	Trim	
	See Note	Ref.	<b>HOOD - TANK SIDE</b>	
		Ref.	<b>Note: Was p/n 2680441 - Use p/n 1671216 for replacement. See next illustration for breakdown.</b>	2
201	Not Used			
202	2600210	1	Hinge	
203	0641612	4	Bolt 3/8in-16NC x 1-1/2in	
204	4711600	4	Flatwasher 3/8in Thin	
205	2940088	1	Latch, Hood	
206	0721008	2	Screw #10-24NC x 1in	
207	4751000	2	Flatwasher #10 Regular	
208	3311005	2	Locknut #10	
209	3960389	A/R	Seal	
210	3960462	A/R	Trim	
211	3960438	A/R	Trim	
	0256822	Ref.	<b>NOISE REDUCTION INSTALLATION (CATERPILLAR &amp; DEUTZ ENGINE MACHINES ONLY)</b>	1
301	2820076	1	Foam, Acoustical	
302	2820077	1	Foam, Acoustical	
303	2820078	1	Foam, Acoustical	
304	2820082	1	Foam, Acoustical	
305	2820083	1	Foam, Acoustical	
306	3539988	1	Plate, Baffle	
307	0641606	5	Bolt 3/8in-16NC x 3/4in	
308	4751600	5	Flatwasher 3/8in Regular	
309	0100011	A/R	Compound, Locking	

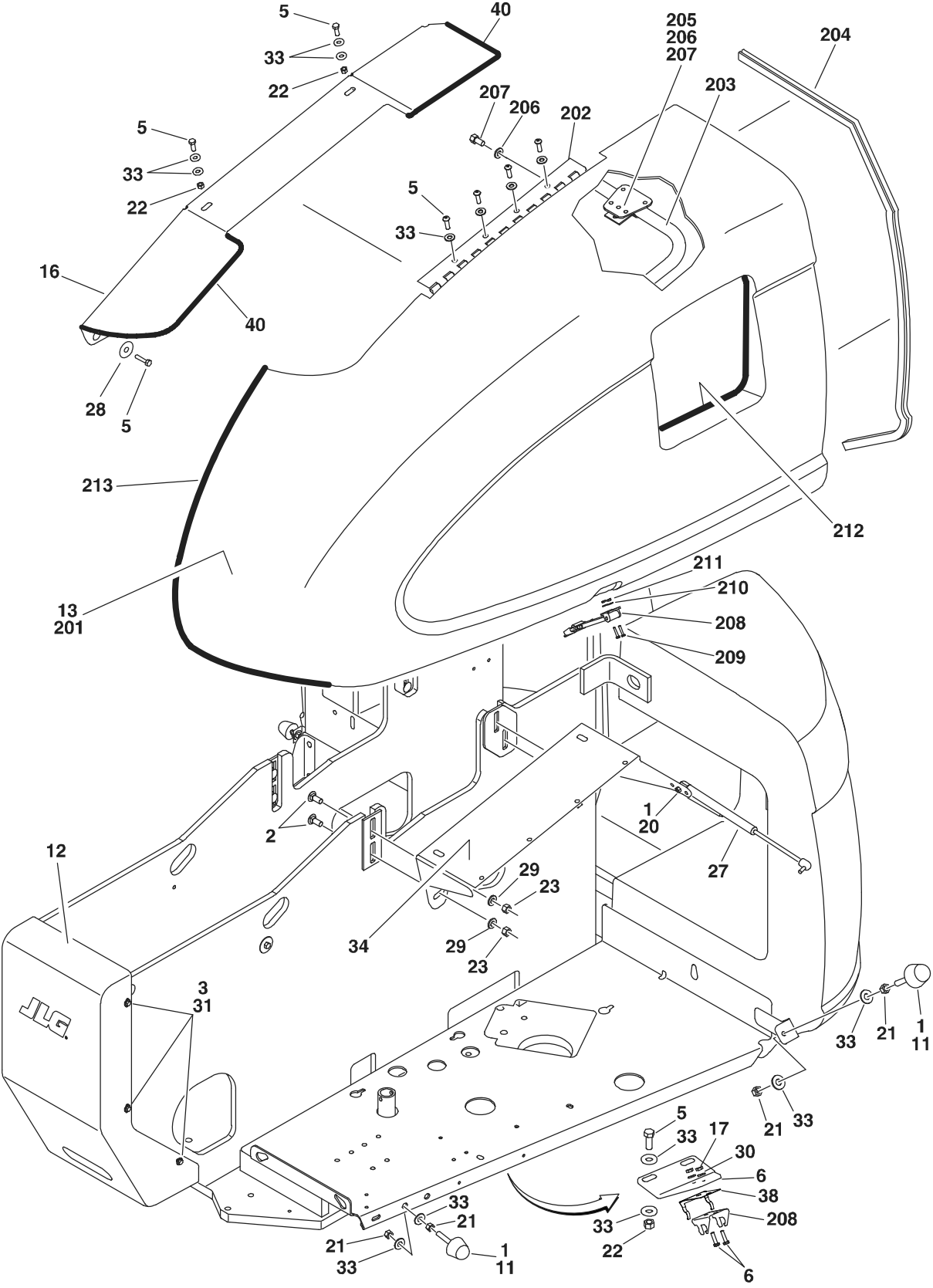


# SECTION 2 TURNTABLE

**FIGURE 2-25. HOODS INSTALLATIONS (USA BUILT MACHINES S/N 0300089989 TO PRESENT & CHINA S/N B300000100 TO PRESENT)**



SECTION 2 TURNTABLE



## SECTION 2 TURNTABLE

**FIGURE 2-25. HOODS INSTALLATIONS (USA BUILT MACHINES S/N 0300089989 TO PRESENT & CHINA S/N B300000100 TO PRESENT)**

ITEM #	PART NUMBER	QTY.	DESCRIPTION	REV.
		Ref.	<b>Note: Replacement decals must be ordered separately.</b>	
		Ref.	<b>HOODS INSTALLATIONS</b>	
	0274620	Ref.	<b>Caterpillar &amp; Deutz Engine Machines</b>	E
	0275023	Ref.	<b>Ford &amp; GM Engine Machines</b>	G
1	0100011	A/R	Compound, Locking	
2	0630507	8	Bolt, Carriage 1/2in-13NC x 1-1/4in	
3	0641405	6	Bolt 1/4in-20NC x 3/4in	
4	0641407	4	Bolt 1/4in-20NC x 7/8in	
5	0641608	A/R	Bolt 3/8in-16NC x 1in	
6	0721006	4	Bolt #10-24NC x 3/4in	
7	0902219	1	Bracket, Bumper	
8	0902242	1	Bracket, Latch - Tank Side	
9	0902335	1	Bracket, Latch - Engine Side	
10	0940049	1	Bumper	
11	0940071	2	Bumper	
12	1670767	1	Cover, Turntable	
13	1671216	1	Hood - Tank Side (See Items 201- 213 for Breakdown)	
14		1	Hood - Engine Side Options (See Items 101- 120 for Breakdown):	
	1671217		Ford & GM Engine Machines (USA Built Machines S/N 0300089989 to S/N 0300139354)	
	1001117044		GM Engine Machines (USA Built Machines S/N 0300139354 to Present)	
	1671218		Caterpillar & Deutz Engine Machines	
15	2680433	1	Spacer, Hood (Engine Side)	
16	2680434	1	Spacer, Hood (Tank Side)	
17	3311005	4	Locknut #10-24NC	
18	3311405	4	Locknut 1/4in-20NC	
19	3311501	2	Nut 5/16in-18NC	
20	3311505	A/R	Locknut 5/16in-18NC	
21	3311601	6	Nut 3/8in-16NC	
22	3311605	7	Locknut 3/8in-16NC	
23	3311805	8	Locknut 1/2in-13NC	
24	3539923	1	Plate, Seal	
25	Not Used			
26	3960467	1	Seal, Foam	
27	4160143	2	Spring, Gas	
28	4740076	2	Washer, Fender	
29	4740171	8	Flatwasher 1/2in Hardened	
30	4751000	4	Flatwasher #10 Regular	
31	4751400	10	Flatwasher 1/4in Regular	
32	4751500	4	Flatwasher 5/16in Regular	
33	4751600	29	Flatwasher 3/8in Regular	
34	4845203	1	Mount - Tank Side	
35	4845414	1	Mount - Engine Side	
36	0940088	1	Bumper	

## SECTION 2 TURNTABLE

**FIGURE 2-25. HOODS INSTALLATIONS (USA BUILT MACHINES S/N 0300089989 TO PRESENT & CHINA S/N B30000100 TO PRESENT) (CONTINUED)**

ITEM #	PART NUMBER	QTY.	DESCRIPTION	REV.
37	3321501	2	Nut 5/16in-24NC	
38	2940188	1	Latch, Spring Clip	
39	3960389	3.5ft/1m	Seal, Bulb	
40	3960418	7ft/2.1m	Seal	
		Ref.	<b>HOOD - ENGINE SIDE</b>	
	1671218	Ref.	<b>Caterpillar &amp; Deutz Engine Machines</b>	F
	1671217	Ref.	<b>Ford &amp; GM Engine Machines (USA Built Machines S/N 0300089989 to S/N 0300139354)</b>	G
	1001117044	Ref.	<b>GM Engine Machines (USA Built Machines S/N 0300139354 to Present)</b>	A
101		1	Hood, Engine Side Options:	
	Use 1001097959		Caterpillar & Deutz Engine Machines (was p/n 1671245)	
	Use 1001097958		Ford & GM Engine Machines (was p/n 1671258)	
102	1671246	1	Frame, Engine Cover	
103	2820077	1	Insulation, Sound Reduction (Caterpillar & Deutz Engines Only)	
104	2820237	1	Insulation, Sound Reduction (Caterpillar & Deutz Engines Only)	
105	2820238	1	Insulation, Sound Reduction (Caterpillar & Deutz Engines Only)	
106	3311605	3	Locknut 3/8in-16NC	
107	3900232	3	Bolt, Button Head 3/8in-16NC x 1-1/4in	
108	4061010	1	Gasket, Heat Shield (USA Built Machines S/N 0300089989 to S/N 0300128836)	
109	4740500	3	Washer, Nylon Shoulder	
110	4751600	11	Flatwasher 3/8in Regular	
111		1	Outlet, Exhaust Options:	
	4845194		Caterpillar & Deutz Engine Machines	
	3460420		Ford & GM Engine Machines (USA Built Machines S/N 0300089989 to S/N 0300139354)	
	1001117039		GM Engine Machines (S/N 0300139354 to Present Only)	
112	4751000	2	Flatwasher #10 Regular	
113	0641606	8	Bolt 3/8in-16NC x 3/4in	
114	2600210	1	Hinge	
115	1321384	4	Hold Down	
116	2940088	1	Latch	
117	3311005	2	Locknut #10-24NC	
118	3911016	2	Screw #10-24NC x 1in	
119	3960462	5.5ft/1.7m	Seal	
120	3960389	3ft/0.9m	Seal	
121		A/R	Insulation, Heat Shield (Ford & GM Engine Machines Only)	
	2820176	1	USA Built Machines S/N 0300092153 to S/N 0300128836 (Hood Side)	
	Not Required	0	USA Built Machines S/N 0300128836 to S/N 0300136641	
	Use 1001117139	1	USA Built Machines S/N 0300136641 to S/N 0300139354 (Hood Front) (was p/n 2820176)	
	1001117139	A/R	S/N 0300139354 to Present Only	

## SECTION 2 TURNTABLE

**FIGURE 2-25. HOODS INSTALLATIONS (USA BUILT MACHINES S/N 0300089989 TO PRESENT & CHINA S/N B300000100 TO PRESENT) (CONTINUED)**

ITEM #	PART NUMBER	QTY.	DESCRIPTION	REV.
122	2820236 Use 1001117139	1	Insulation, Heat Shield Options (Ford & GM Engine Machines Only) USA Built Machines S/N 0300089989 to S/N 0300128836 USA Built Machines S/N 0300128836 to S/N 0300139354 (was p/n 1001102914)	
123	1001117139 Use 1001117139	A/R A/R 1	USA Built Machines S/N 0300139354 to Present Only Insulation, Heat Shield Options (Ford & GM Engine Machines): USA Built Machines S/N 0300128836 to S/N 0300139354 Only (was p/n 1001102913)	
124	1001117139	A/R	USA Built Machines S/N 0300139354 to Present Only	
124A	Not Required 2820176	1	Insulation, Heat Shield (Caterpillar & Deutz Engine Machines - USA Built Machines S/N 0300092153 to Present & China Built Machines S/N B300000100 to Present) USA Built Machines S/N 0300092153 to S/N 0300128836	
124B	1001101947		USA Built Machines S/N 0300128836 to Present & China Built Machines S/N B300000100 to Present	
125	1001101945	1	Insulation, Heat Shield (Caterpillar & Deutz Engine Machines - USA Built Machines S/N 0300128836 to Present & China Built Machines S/N B300000100 to Present)	
126	0100011	A/R	Compound, Locking (GM Engine Machines - USA Built Machines S/N 0300139354 to Present Only)	
127	1001117140	A/R	Tape, Aluminized Polyester (GM Engine Machines - USA Built Machines S/N 0300139354 to Present Only)	
128 to 129	Not Used		-----	
130		1	Hood Kit (Engine Side) Options:	
130A	1001097959		Caterpillar & Deutz Engine Machines (Includes Hood & Insulation)	
130B	1001097958		Ford & GM Engine Machines (Includes Hood, Insulation & Tape)	
	1671216	Ref.	<b>HOOD TANK SIDE</b>	B
201	1671243	1	Hood, Tank Side	
202	2600210	1	Hinge	
203	1671244	1	Frame, Tank Side	
204	3960462	5.5ft/1.7m	Seal	
205	2080051	4	Hold Down	
206	4751600	8	Flatwasher 3/8in Regular	
207	0641606	8	Bolt 3/8in-16NC x 3/4in	
208	2940088	1	Latch	
209	3911016	2	Screw #10-24NC x 1in	
210	4751000	2	Flatwasher #10 Regular	
211	3311005	2	Locknut #10-24NC	
212	3960438	4.5ft/1.4m	Seal	
213	3960389	3ft/0.9m	Seal	

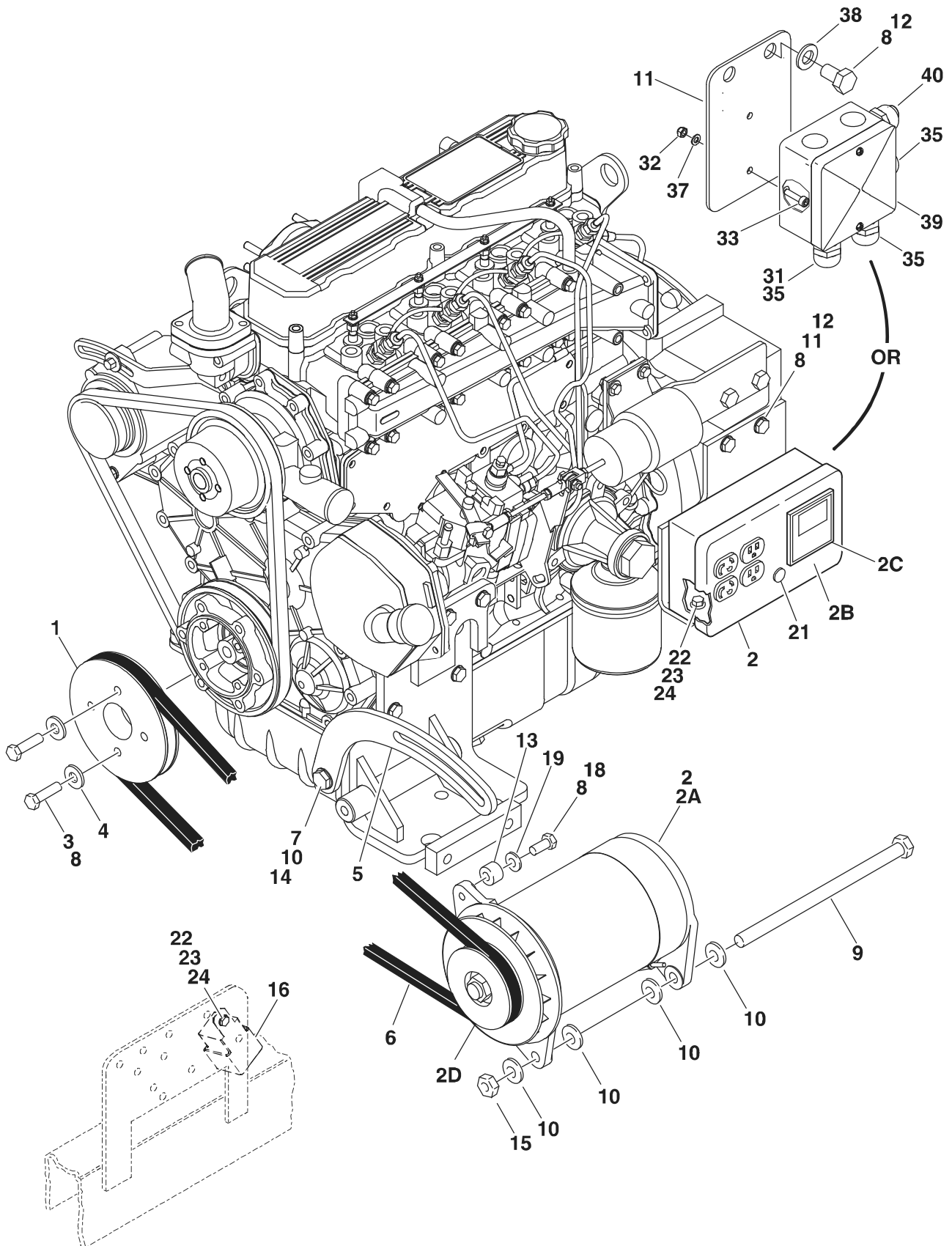
**SECTION 2 TURNTABLE**

**FIGURE 2-25. HOODS INSTALLATIONS (USA BUILT MACHINES S/N 0300089989 TO PRESENT & CHINA S/N B300000100 TO PRESENT) (CONTINUED)**

ITEM #	PART NUMBER	QTY.	DESCRIPTION	REV.
	0256822	Ref.	<b>NOISE REDUCTION INSTALLATION (CATERPILLAR &amp; DEUTZ ENGINE MACHINES ONLY)</b>	1
301 to 302	Not Used			
303	2820078	1	Foam, Acoustical	
304	2820082	1	Foam, Acoustical	
305	2820083	1	Foam, Acoustical	
306	3539988	1	Plate, Baffle	
307	0641606	5	Bolt 3/8in-16NC x 3/4in	
308	4751600	5	Flatwasher 3/8in Regular	
309	0100011	A/R	Compound, Locking	

# SECTION 2 TURNTABLE

FIGURE 2-26. 2500W GENERATOR INSTALLATION - CATERPILLAR MACHINES (OPTIONAL)



## SECTION 2 TURNTABLE

**FIGURE 2-26. 2500W GENERATOR INSTALLATION - CATERPILLAR MACHINES (OPTIONAL)**

ITEM #	PART NUMBER	QTY.	DESCRIPTION	REV.
		Ref.	<b>GENERATOR INSTALLATION OPTIONS:</b>	
		Ref.	<b>110V/60Hz (ANSI &amp; ANSI Export Specs)</b>	
	0274081	Ref.	<b>USA Built Machines S/N 0300087000 to S/N 0300144388</b>	1/A
	1001115404	Ref.	<b>USA Built Machines S/N 0300144388 to Present</b>	A
	1001115404	Ref.	<b>China Built Machines S/N B300000239 to Present</b>	A
		Ref.	<b>110V/50Hz (CE Spec) (Only Available on USA Built Machines)</b>	
	0274091	Ref.	<b>USA Built Machines S/N 00087000 to S/N 0300132840</b>	3/B
	1001102547	Ref.	<b>USA Built Machines S/N 0300132840 to S/N 0300144388</b>	B
	1001115413	Ref.	<b>USA Built Machines S/N 0300144388 to Present</b>	A
		Ref.	<b>220V/50Hz (ANSI Export, Australian &amp; CE Specs)</b>	
	0274087	Ref.	<b>USA Built Machines S/N 0300087000 to S/N 0300132840</b>	3/B
	1001102548	Ref.	<b>USA Built Machines S/N 0300132840 to S/N 0300144388</b>	B
	1001115414	Ref.	<b>USA Built Machines S/N 0300144388 to Present</b>	A
	1001115414	Ref.	<b>China Built Machines S/N B300000239 to Present</b>	A
1	3580322	1	Pulley	
2		1	Generator and Control Box Assembly Options:	
	2460055		110V/60Hz (ANSI & ANSI Export Specs)	
	2460057		110V/50Hz (CE Spec - USA Built Machines S/N 0300087000 to S/N 0300132840)	
	2460049		110V/50Hz (CE Spec - USA Built Machines S/N 0300132840 to Present) (Generator Only)	
	2460056		220V/50Hz (ANSI Export, Australian & CE Specs - USA Built Machines S/N 0300087000 to S/N 0300132840)	
	1001100321		220V/50Hz (ANSI Export, Australian & CE Specs - USA Built Machines S/N 0300132840 to Present & China Built Machines S/N B300000100 to Present) (Generator Only)	
2A	7012558	1	Generator Only - 110V/60Hz	
	2460049	1	Generator Only - 110V/50Hz	
	1001100321	1	Generator Only - 220V/50Hz	
		Ref.	<b>Note: Replacement Generators come standard with p/n 3580134 pulley. This pulley may not be correct for all applications. Refer to pulley options below.</b>	
		1	Armature with Slip Rings Options:	
	7026199		Armature with Slip Rings - 110V/60Hz	
	70000122		Armature with Slip Rings - 110V/50Hz	
	70000123		Armature with Slip Rings - 220V/50Hz	
	7012513	4	Cap, Brush Holder	
	7020108	4	Brush	
	7020109	4	Holder, Brush	
	7012514	1	Fan	
	7020110	1	Bell, Front	
	7020111	1	Bell, Rear	
	7020190	2	Bearing	



## SECTION 2 TURNTABLE

**FIGURE 2-26. 2500W GENERATOR INSTALLATION - CATERPILLAR MACHINES (OPTIONAL)**

ITEM #	PART NUMBER	QTY.	DESCRIPTION	REV.	
2B	7019680	1	Box, Control - 110V/60Hz		
	7019680	1	Box, Control - 110V/50Hz (USA Built Machines S/N 0300087000 to S/N 0300132840)		
	Not Required	0	Box, Control - 110V/50Hz (USA Built Machines S/N 0300132840 to Present)		
	70000127	1	Box, Control - 220V/50Hz (USA Built Machines S/N 0300087000 to S/N 0300132840)		
	Not Required	0	Box, Control - 220V/50Hz (USA Built Machines S/N 0300132840 to Present & China Built Machines S/N B300000100 to Present)		
		A/R		Receptacle Options:	
	4460190	1	Receptacle, Standard (110V Only)		
	4460027	1	Receptacle, Twistlock (110V Only)		
	70000124	1	Receptacle, Double (220V/50Hz Only)		
	70000125	1	Receptacle, Single (220V/50Hz Only)		
				Breaker, Circuit Options:	
	4360542			Breaker 110V/60Hz	
	4360542			Breaker 110V/50Hz (USA Built Machines S/N 0300087000 to S/N 0300132840)	
	Not Required	0		Breaker - 110V/50Hz (USA Built Machines S/N 0300132840 to Present)	
	70000126			Breaker 220V/50Hz (USA Built Machines S/N 0300087000 to S/N 0300132840)	
	Not Required	0		Breaker - 220V/50Hz (USA Built Machines S/N 0300132840 to Present & China Built Machines S/N B300000239 to Present)	
		3520028	1	Plug, Hole	
2C		1	Voltmeter Options:		
	2420203		Voltmeter - 110V		
	7020192		Voltmeter - 220V		
2D		1	Pulley Options:		
	3580276		Pulley - 60Hz		
	3580134		Pulley - 50Hz		
	7027887	1	Key, Woodruff		
	0480120		110V/50Hz		
	0480120		220V/50Hz		
3	0700816	4	Bolt M8 x 40mm		
4	4811900	4	Flatwasher M8		
5	0200819	1	Arm, Adjusting		
6		1	V-Belt Options:		
	0480121		110V/60Hz (ANSI & ANSI Export Specs)		
	0480120		110V/50Hz (CE Spec)		
	0480120		220V/50Hz (ANSI Export, Australian & CE Specs)		
7	0641610	1	Bolt 3/8in-16NC x 1-1/4in		
8	0100011	A/R	Compound, Locking		
9	0641772	1	Bolt 7/16in-14NC x 9in		
10	4751600	6	Flatwasher 3/8in Regular		

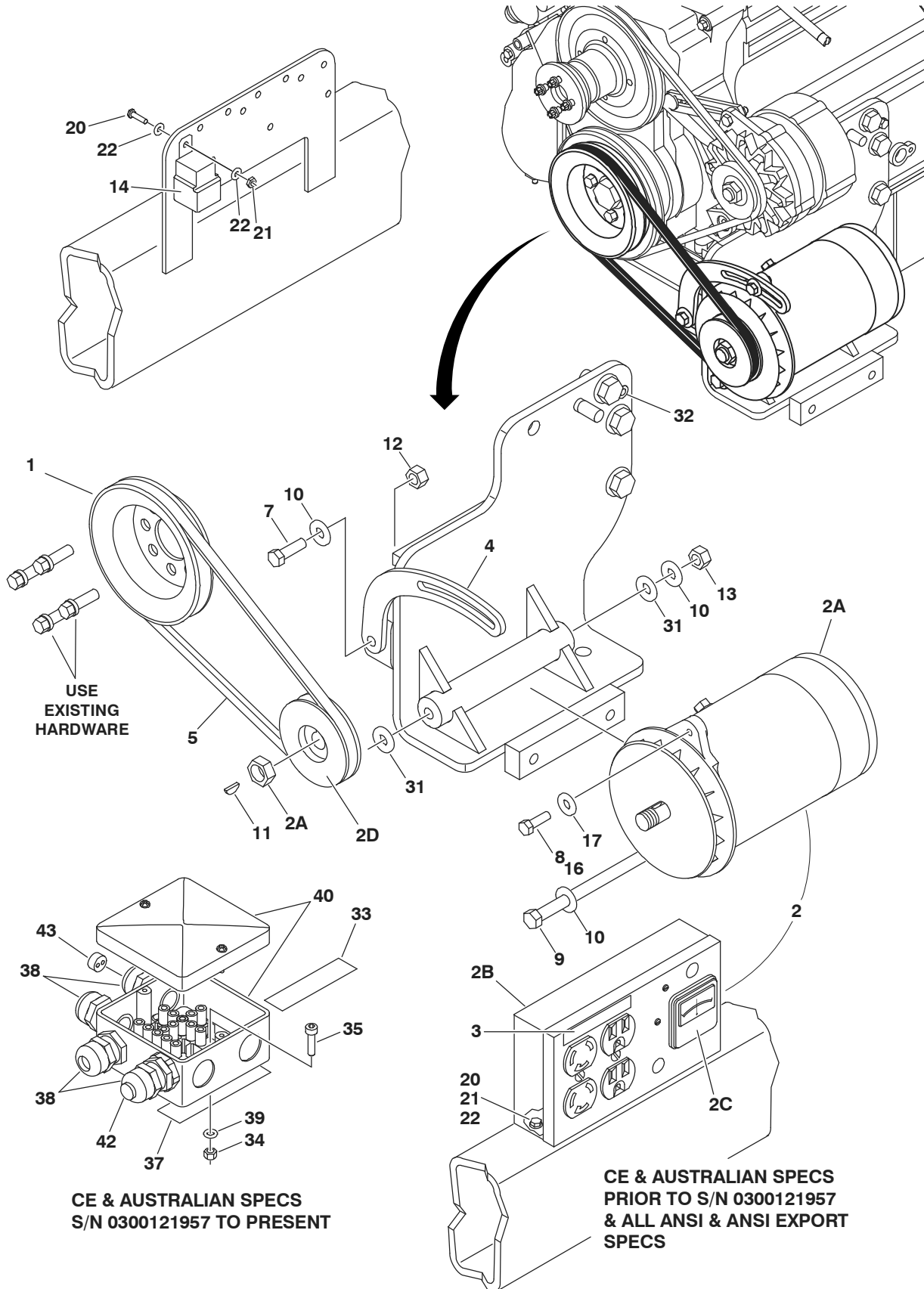
## SECTION 2 TURNTABLE

**FIGURE 2-26. 2500W GENERATOR INSTALLATION - CATERPILLAR MACHINES (OPTIONAL)**

ITEM #	PART NUMBER	QTY.	DESCRIPTION	REV.
11	3574684 3574684 1001102644 1001102644	1	Plate, Box Mounting Options: ANSI & ANSI Export Specs ANSI Export, Australian & CE Specs USA Built Machines S/N 0300087000 to S/N 0300132840 USA Built Machines S/N 0300132840 to Present China Built Machines S/N B300000239 to Present	
12	0761210	2	Bolt M12 x 20mm	
13	0962563	1	Bushing, Spacer	
14	3311605	1	Locknut 3/8in-16NC	
15	3311705	1	Locknut 7/16in-14NC	
16	3740080	1	Relay	
17	Not Used			
18	0641508	1	Bolt 5/16in-18NC x 1in	
19	4751500	1	Flatwasher 5/16in Regular	
20	Not Used			
21	3520028	1	Plug, Hole	
22	0721006	A/R	Bolt #10-24NC x 3/4in	
23	3311005	A/R	Locknut #10-24NC	
24	4751000	A/R	Flatwasher #10 Regular	
25	4360336	1	Switch, Toggle (Not Shown - Located at Platform)	
26	Not Used			
27	4060802	1	Guard, Switch (Not Shown - Located at Platform)	
28	See Note  1705325 3252507	1	Decal - Voltage Options (Not Shown): 110V/60Hz (ANSI & ANSI Export Specs) ( <b>Note: Not Available for Purchase</b> ) 110V/50Hz (CE Spec) 220V/50Hz (ANSI Export, Australian & CE Specs)	
29	2820031	A/R	Heatshrink (Not Shown - Located at Platform)	
30	3251102	1 Ref.	Decal (Not Shown - Located at Platform) <b>Note: Items 31-40 Used on ANSI Export, Australian &amp; CE Specs USA Built Machines S/N 0300132840 to Present &amp; China Built Machines S/N B300000239 to Present.</b>	
31	0962449	1	Bushing, Silicone	
32	3290505	2	Locknut M5	
33	4031608	2	Screw M5 x 20mm	
34	4240018	A/R	Strap, Tie (Not Shown)	
35	4460968	3	Connector, Strain Relief	
36	Not Used			
37	4811600	2	Flatwasher M5	
38	4812100	2	Flatwasher M12	
39	1001099869	1	Box, Junction	
40	1001100233 1001100234	1	Lamp, Red Options : 110V/50Hz 220V/50Hz	
41	4740397	1	Shim (Not Shown - Used on Toggle Switch Located at Platform)	

# SECTION 2 TURNTABLE

**FIGURE 2-27. 2500W GENERATOR INSTALLATION - DEUTZ MACHINES (OPTIONAL)**



## SECTION 2 TURNTABLE

**FIGURE 2-27. 2500W GENERATOR INSTALLATION - DEUTZ MACHINES (OPTIONAL)**

ITEM #	PART NUMBER	QTY.	DESCRIPTION	REV.
		Ref.	<b>GENERATOR INSTALLATIONS</b>	
		Ref.	<b>USA Built Machines S/N 0300087000 to S/N 0300139041:</b>	
	0274082	Ref.	<b>110V/60Hz (ANSI &amp; ANSI Export Specs)</b>	3/C
	0274090	Ref.	<b>110V/50Hz (ANSI Export Spec)</b>	1/A
	0274090	Ref.	<b>110V/50Hz (CE Spec) (S/N 0300087000 to S/N 0300121957)</b>	1/A
	1001100308	Ref.	<b>110V/50Hz (CE Spec) (S/N 0300121957 to S/N 0300139041)</b>	D
	0274086	Ref.	<b>220V/50Hz (ANSI Export Specs)</b>	1/A
	0274086	Ref.	<b>220V/50Hz (Australian &amp; CE Specs) (S/N 0300087000 to S/N 0300121957)</b>	1/A
	1001099868	Ref.	<b>220V/50Hz (Australian &amp; CE Specs) (S/N 0300121957 to S/N 0300139041)</b>	D
		Ref.	<b>USA Built Machines S/N 0300139041 to Present:</b>	
	1001115405	Ref.	<b>110V/60Hz (ANSI &amp; ANSI Export Specs)</b>	A
	1001115407	Ref.	<b>110V/50Hz (ANSI Export Spec)</b>	A
	1001115410	Ref.	<b>110V/50Hz (CE Spec)</b>	A
	1001115406	Ref.	<b>220V/50Hz (ANSI Export Specs)</b>	A
	1001115409	Ref.	<b>220V/50Hz (Australian &amp; CE Specs)</b>	A
		Ref.	<b>China Built Machines S/N B300000100 to Present:</b>	
	1001115405	Ref.	<b>110V/60Hz (ANSI &amp; ANSI Export Specs)</b>	A
	1001115409	Ref.	<b>220V/50Hz (Australian &amp; CE Specs)</b>	A
1	3580158	1	Pulley	
2		1	Generator and Control Box Assembly Options:	
	2460055		110V/60Hz (ANSI & ANSI Export Specs)	
	2460057		110V/50Hz (ANSI Export Specs)	
			110V/50Hz Options (CE Spec):	
	2460057		USA Built Machines S/N 0300087000 to S/N0300121957	
	2460049		USA Built Machines S/N 0300121957 to Present	
	2460056		220V/50Hz Options (ANSI Export Specs):	
			220V/50Hz Options (Australian & CE Specs):	
	2460056		USA Built Machines S/N 0300087000 to S/N0300121957	
	1001100321		USA Built Machines S/N 0300121957 to Present	
2A	7012558	1	Generator Only - 110V/60Hz	
	2460049	1	Generator Only - 110V/50Hz	
	1001100321	1	Generator Only - 220V/50Hz	
		Ref.	Note: Replacement Generators come standard with p/n 3580134 pulley. This pulley may not be correct for all applications. Refer to pulley options below.	
		1	Armature with Slip Rings Options:	
	7026199		Armature with Slip Rings - 110V/60Hz	
	70000122		Armature with Slip Rings - 110V/50Hz	
	70000123		Armature with Slip Rings - 220V/50Hz	
	7012513	4	Cap, Brush Holder	
	7020108	4	Brush	
	7020109	4	Holder, Brush	
	7012514	1	Fan	
	7020110	1	Bell, Front	
	7020111	1	Bell, Rear	
	7020190	2	Bearing	

## SECTION 2 TURNTABLE

**FIGURE 2-27. 2500W GENERATOR INSTALLATION - DEUTZ MACHINES (OPTIONAL)**

ITEM #	PART NUMBER	QTY.	DESCRIPTION	REV.
2B	7019680	1	Box, Control - 110V/60Hz	
	7019680	1	Box, Control - 110V/50Hz (ANSI Export Specs)	
	7019680	1	Box, Control - 110V/50Hz (Australian & CE Specs USA Built Machines S/N 0300087000 to S/N 0300121957)	
	Not Required	0	Box, Control - 110V/50Hz (Australian & CE Specs USA Built Machines S/N 0300121957 to Present)	
	70000127	1	Box, Control - 220V/50Hz (ANSI Export Specs)	
	70000127	1	Box, Control - 220V/50Hz (Australian & CE Specs USA Built Machines S/N 0300087000 to S/N 0300121957)	
	Not Required	0	Box, Control - 220V/50Hz (Australian & CE Specs USA S/N 0300121957 to Present & China Built Machines S/N B300000100 to Present)	
		A/R	Receptacle Options:	
	4460190	1	Receptacle, Standard (110V Only)	
	4460027	1	Receptacle, Twistlock (110V Only)	
	70000124	1	Receptacle, Double (220V/50Hz Only)	
	70000125	1	Receptacle, Single (220V/50Hz Only)	
		1	Breaker, Circuit Options:	
	4360542		Breaker 110V/60Hz	
	4360542		Breaker 110V/50Hz	
	70000126		Breaker 220V/50Hz	
	3520028	1	Plug, Hole	
2C		1	Voltmeter Options:	
	2420203		Voltmeter - 110V	
	7020192		Voltmeter - 220V	
2D		1	Pulley Options:	
	3580276		Pulley - 60Hz	
	3580134		Pulley - 50Hz	
	7027887	1	Key, Woodruff	
3		1	Decal Options:	
	3251243		110V/60Hz (ANSI & ANSI Export Specs)	
	3255325		110V/50Hz (CE Spec)	
	Not Required		220V/50Hz (ANSI Export, Australian & CE Specs)	
4	0200742	1	Arm, Adjusting	
5	0480121	1	V-Belt	
6	Not Used			
7	0641610	1	Bolt 3/8in-16NC x 1-1/4in	
8	0100011	A/R	Compound, Locking	
9	0641772	1	Bolt 7/16in-14NC x 9in	
10	4751600	6	Flatwasher 3/8in Regular	
11	2860012	1	Key, Woodruff	
12	3311605	1	Locknut 3/8in-16NC	
13	3311705	1	Locknut 7/16in-14NC	
14	3740080	1	Relay	
15	Not Used			
16	0641508	1	Bolt 5/16in-18NC x 1in	
17	4751500	A/R	Flatwasher 5/16in Regular	
18 to 19	Not Used			
20	0721006	A/R	Bolt #10-24NC x 3/4in	
21	3311005	A/R	Locknut #10-24NC	

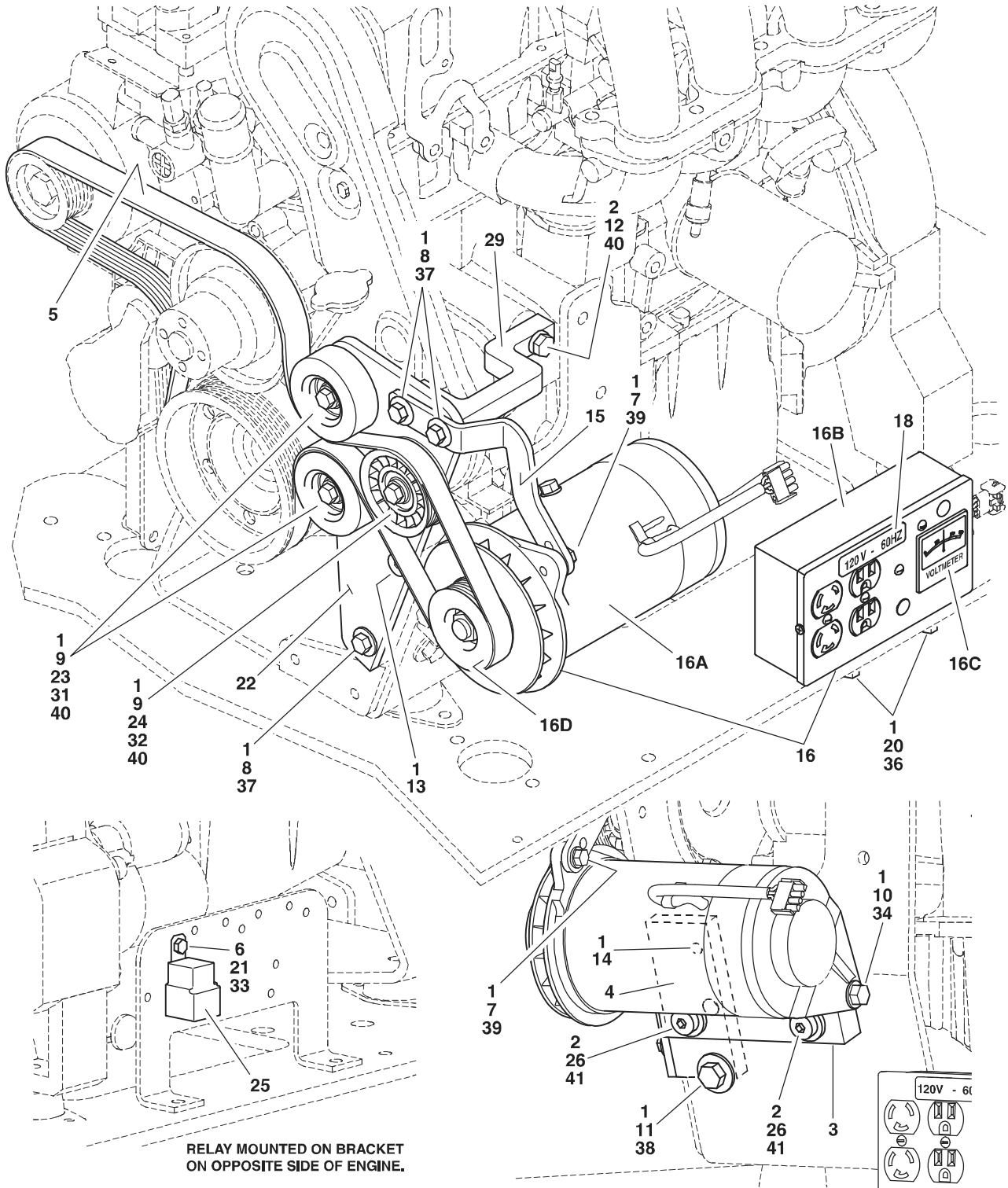
## SECTION 2 TURNTABLE

**FIGURE 2-27. 2500W GENERATOR INSTALLATION - DEUTZ MACHINES (OPTIONAL)**

ITEM #	PART NUMBER	QTY.	DESCRIPTION	REV.
22	4751000	A/R	Flatwasher #10 Regular	
23 to 24	Not Used			
25	4360336	1	Switch, Toggle (Not Shown - Located at Platform)	
26	4740397	1	Bushing (Not Shown - Located at Platform)	
27	4060802	1	Guard, Switch (Not Shown - Located at Platform)	
28	3252507	1	Decal - 220V - 50/60Hz (Not Shown - Located on Turntable)	
29	2820031	4in/10cm	Heatshrink (Not Shown - Located at Platform)	
30	3251102	1	Decal (Not Shown - Located at Platform)	
31	4070585	A/R	Shim (ANSI Export, Australian & CE Specs) (USA Built Machines S/N 0300087000 to S/N 0300126420)	
		Ref.	<b>Note: Items 32-43 Used on ANSI Export, Australian &amp; CE Specs USA Built Machines S/N 0300121957 to Present China Built Machines S/N B300000100.</b>	
32	0641404	1	Bolt 1/4in-20NC x 1/2	
33		2	Decal Options:	
	1705325		Decal - 110V - 50Hz	
	3252507		Decal - 220V - 50Hz	
		Ref.	<b>Note: One Decal Not Shown - Located on the Inside of Platform Rail.</b>	
34	3290505	1	Locknut M5 x 0.8mm	
35	4031608	1	Bolt M5 x 20mm	
36	4240018	1	Tie Strap (Not Shown)	
37	4420060	1	Tape, Double Coated Acrylic Foam	
38	4460968	3	Connector, Strain Relief	
39	4811600	1	Flatwasher M5	
40	1001099869	1	Box, Junction	
41	Not Used			
42		1	Light Red Options:	
	1001100233		125 Vac	
	1001100234		250 Vac	
43	0962449	1	Bushing	
	2902085	1	Kit, Powermite Generator Mounting	

# SECTION 2 TURNTABLE

FIGURE 2-28. 2500W GENERATOR INSTALLATION - FORD MACHINES (OPTIONAL)



## SECTION 2 TURNTABLE

**FIGURE 2-28. 2500W GENERATOR INSTALLATION - FORD MACHINES (OPTIONAL)**

ITEM #	PART NUMBER	QTY.	DESCRIPTION	REV.
		Ref.	<b>Note: Only Available on USA Built Machines.</b>	
		Ref.	<b>GENERATOR INSTALLATION OPTIONS:</b>	
	0273507	Ref.	<b>110V Generator</b>	C
	0273511	Ref.	<b>220V Generator</b>	C
1	0100011	A/R	Compound, Locking	
2	0100019	A/R	Compound, Locking	
3	0363082	1	Bar, Generator Adjuster	
4	0363097	1	Bar, Pulley Mounting	
5	0480135	1	V-Belt	
6	0641405	1	Bolt 1/4in-20NC x 5/8in	
7	0641508	1	Bolt 5/16in-18NC x 1in	
8	0641611	3	Bolt 3/8in-16NC x 1-3/8in	
9	0641612	3	Bolt 3/8in-16NC x 1-1/2in	
10	0641718	2	Bolt 7/16in-14NC x 2-1/4in	
11	0641810	1	Bolt 1/2in-13NC x 1-1/4in	
12	0701015	1	Bolt M10 x 35mm	
13	0741606	1	Screw, Countersunk 3/8in-16NC x 3/4in	
14	0741808	1	Screw, Countersunk 1/2in-13NC x 1in	
15	0902952	1	Bracket, Generator Mounting	
16		1	Generator and Control Box Assembly Options:	
	2460051		110Volt Assembly	
	2460052		220Volt Assembly	
16A	7012558	1	Generator Only - 110V/60Hz	
	1001100321	1	Generator Only - 220V/50Hz	
		Ref.	<b>Note: Replacement Generators come standard with p/n 3580134 pulley. This pulley may not be correct for all applications. Refer to pulley options below.</b>	
		1	Armature with Slip Rings Options:	
	7026199		Armature with Slip Rings - 110V/60Hz	
	70000123		Armature with Slip Rings - 220V/50Hz	
	7012513	4	Cap, Brush Holder	
	7020108	4	Brush	
	7020109	4	Holder, Brush	
	7012514	1	Fan	
	7020110	1	Bell, Front	
	7020111	1	Bell, Rear	
	7020190	2	Bearing	
16B	7019680	1	Box, Control - 110V/60Hz	
	70000127	1	Box, Control - 220V/50Hz	
		A/R	Receptacle Options:	
	4460190	1	Receptacle, Standard (110V Only)	
	4460027	1	Receptacle, Twistlock (110V Only)	
	70000124	1	Receptacle, Double (220V/50Hz Only)	
	70000125	1	Receptacle, Single (220V/50Hz Only)	
		1	Breaker, Circuit Options:	
	4360542		Breaker 110V/60Hz	
	70000126		Breaker 220V/50Hz	



## SECTION 2 TURNTABLE

**FIGURE 2-28. 2500W GENERATOR INSTALLATION - FORD MACHINES (OPTIONAL)**

ITEM #	PART NUMBER	QTY.	DESCRIPTION	REV.
16B (cont'd)	3520028	1	Plug, Hole	
16C		1	Voltmeter Options:	
	2420203		Voltmeter - 110V	
	7020192		Voltmeter - 220V	
16D		1	Pulley Options:	
	3580324		Pulley - 60Hz	
	3580325		Pulley - 50Hz	
	7027887	1	Key, Woodruff	
17	2820031	A/R	Heatshrink (Not Shown - Located at Platform)	
18		1	Decal	
	1702590		110V Generator	
	3251243		220V Generator	
19	3251102	1	Nameplate Options (Not Shown - Located at Platform):	
20	3311005	2	Locknut #10-24NC	
21	3311405	1	Locknut 1/4in-20NC	
22	3574225	1	Plate, Pulley Mounting	
23	3580312	1	Pulley, Idler	
24	3580313	1	Pulley, Grooved Idler	
25	3740080	1	Relay, Bosch	
26	3900322	2	Screw, Shoulder	
27	4060802	1	Guard, Switch (Not Shown - Located at Platform)	
28	4240018	A/R	Tie-Strap	
29	4340738	1	Support, Idler Pulley	
30	4360336	1	Switch, Toggle (Not Shown - Located at Platform)	
31	4568734	1	Spacer, Tube (Idler Pulley Non-Grooved)	
32	4568735	1	Spacer, Tube (Idler Pulley Grooved)	
33	4711400	1	Flatwasher 1/4in Thin	
34	4711700	2	Flatwasher 7/16in Thin	
35	4740397	1	Spacer	
36	4751000	2	Flatwasher #10 Regular	
37	4751600	3	Flatwasher 3/8in Regular	
38	4751800	1	Flatwasher 1/2in Regular	
39	4891500	1	Flatwasher 5/16in Hardened	
40	4891600	4	Flatwasher 3/8in Hardened	
41	4892000	2	Flatwasher 5/8in Hardened	

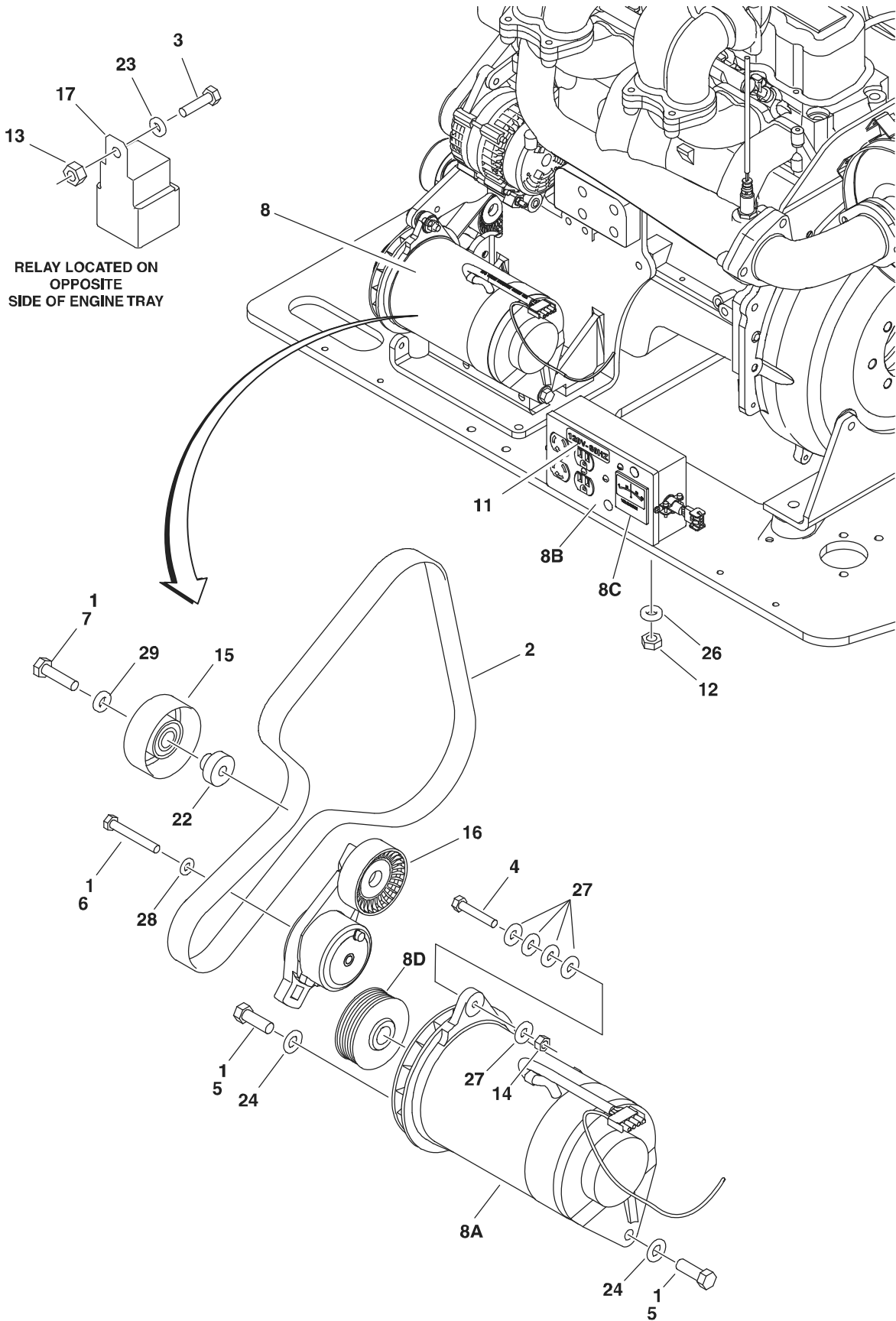
**SECTION 2 TURNTABLE**

**FIGURE 2-28. 2500W GENERATOR INSTALLATION - FORD MACHINES (OPTIONAL)**

ITEM #	PART NUMBER	QTY.	DESCRIPTION	REV.

# SECTION 2 TURNTABLE

## FIGURE 2-29. 2500W GENERATOR INSTALLATION - GM MACHINES (OPTIONAL)



## SECTION 2 TURNTABLE

**FIGURE 2-29. 2500W GENERATOR INSTALLATION - GM MACHINES (OPTIONAL)**

ITEM #	PART NUMBER	QTY.	DESCRIPTION	REV.
		Ref.	<b>Note: Only Available on USA Built Machines.</b>	
	0275039	Ref.	<b>GENERATOR INSTALLATION OPTIONS:</b> <b>110V Generator</b> <b>220V Generator (Note: Not Available)</b> <b>Note: Refer to Sky Power Accessories Manual P/N 3124242 for the Miller 7500W Generator.</b>	E
	See Note	Ref.		
		Ref.		
		Ref.		
1	0100011	A/R	Compound, Locking	
2	0480142	1	V-Belt	
3	0641405	1	Bolt 1/4in-20NC x 5/8in	
4		1	Bolt Options:	
	0641514		Bolt 5/16in-18NC x 1-3/4in	
	0641510		Bolt 5/16in-18NC x 1-1/4in	
5	0641710	2	Bolt 7/16in-14NC x 1-1/4in	
6	0700820	1	Bolt M8 x 60mm	
7	0701016	1	Bolt M10 x 340mm	
8		1	Generator and Control Box Assembly Options:	
	2460051		110Volt Assembly	
	2460052		220Volt Assembly	
8A	7012558	1	Generator Only - 110V/60Hz	
	1001100321	1	Generator Only - 220V/50Hz	
		Ref.	<b>Note: Replacement Generators come standard with p/n 3580134 pulley. This pulley may not be correct for all applications. Refer to pulley options below.</b>	
		1	Armature with Slip Rings Options:	
	7026199		Armature with Slip Rings - 110V/60Hz	
	70000123		Armature with Slip Rings - 220V/50Hz	
	7012513	4	Cap, Brush Holder	
	7020108	4	Brush	
	7020109	4	Holder, Brush	
	7012514	1	Fan	
	7020110	1	Bell, Front	
	7020111	1	Bell, Rear	
	7020190	2	Bearing	
8B	7019680	1	Box, Control - 110V/60Hz	
	70000127	1	Box, Control - 220V/50Hz	
		A/R	Receptacle Options:	
	4460190	1	Receptacle, Standard (110V Only)	
	4460027	1	Receptacle, Twistlock (110V Only)	
	70000124	1	Receptacle, Double (220V/50Hz Only)	
	70000125	1	Receptacle, Single (220V/50Hz Only)	
		1	Breaker, Circuit Options:	
	4360542		Breaker 110V/60Hz	
	70000126		Breaker 220V/50Hz	
	3520028	1	Plug, Hole	
8C		1	Voltmeter Options:	
	2420203		Voltmeter - 110V	
	7020192		Voltmeter - 220V	

## SECTION 2 TURNTABLE

**FIGURE 2-29. 2500W GENERATOR INSTALLATION - GM MACHINES (OPTIONAL)**

ITEM #	PART NUMBER	QTY.	DESCRIPTION	REV.
8D		1	Pulley Options:	
	3580324		Pulley - 60Hz	
	3580325		Pulley - 50Hz	
	7027887	1	Key, Woodruff	
9	2820031	A/R	Heatshrink (Not Shown - Located at Platform)	
10	33251102	1	Nameplate - Generator (Not Shown - Located at Platform)	
11		1	Decal	
	3251243		110 Volt Generator	
	1702590		220 Volt Generator	
12	3311005	2	Locknut # 10-24NC	
13	3311405	1	Locknut 1/4in-20NC	
14	3311505	1	Locknut 5/16in-18NC	
15	3580312	1	Pulley, Idler	
16	3580348	1	Tensioner, Belt	
17	3740080	1	Relay, Bosch	
18	4060802	1	Guard, Switch (Not Shown - Located at Platform)	
19	4240018	A/R	Tie-Strap (Not Shown)	
20	4360336	1	Switch, Toggle (Not Shown - Located at Platform)	
21	4460906	3	Terminal (Not Shown)	
22	4568735	1	Spacer, Tube (Idler Pulley Grooved)	
23	4711400	1	Flatwasher 1/4in Thin	
24	4711700	2	Flatwasher 7/16in Thin	
25	4740397	1	Spacer (Not Shown - Located at Platform)	
26	4751000	2	Flatwasher #10 Regular	
27	4751500	A/R	Flatwasher 5/16in Regular	
28	4811900	1	Flatwasher M8	
29	4891600	1	Flatwasher 3/8in Hardened	

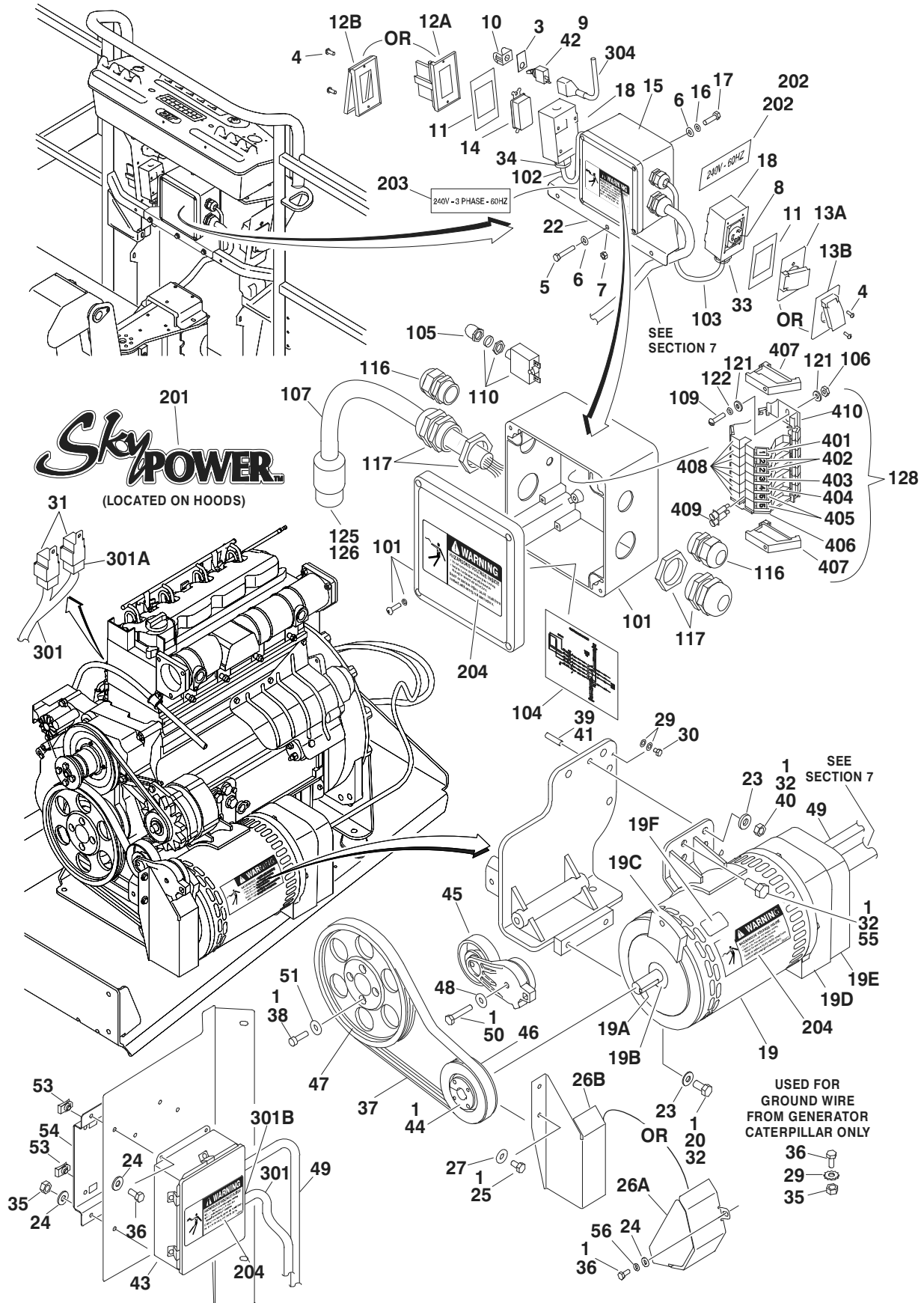
**SECTION 2 TURNTABLE**

**FIGURE 2-29. 2500W GENERATOR INSTALLATION - GM MACHINES (OPTIONAL)**

ITEM #	PART NUMBER	QTY.	DESCRIPTION	REV.

# SECTION 2 TURNTABLE

FIGURE 2-30. 7500W SKYPOWER GENERATOR INSTALLATION - CATERPILLAR & DEUTZ ENGINES



## SECTION 2 TURNTABLE

**FIGURE 2-30. 7500W SKYPOWER GENERATOR INSTALLATION - CATERPILLAR & DEUTZ ENGINES**

ITEM #	PART NUMBER	QTY.	DESCRIPTION	REV.
		Ref.	<b>7500W SKYPOWER GENERATOR INSTALLATION</b>	
		Ref.	<b>USA Built Machines without UGM:</b>	
	0273576	Ref.	<b>60Hz &amp; Caterpillar Engine (ANSI &amp; ANSI Export Specs)</b>	I
	0273577	Ref.	<b>50Hz &amp; Caterpillar Engine (ANSI Export, Australian &amp; CE Specs)</b>	G
	0272618	Ref.	<b>60Hz &amp; Deutz Engine (ANSI &amp; ANSI Export Specs)</b>	K
	0272619	Ref.	<b>50Hz &amp; Deutz Engine (ANSI Export, Australian &amp; CE Specs)</b>	G
		Ref.	<b>USA Built Machines with UGM:</b>	
	1001115401	Ref.	<b>60Hz &amp; Caterpillar Engine (ANSI &amp; ANSI Export Specs)</b>	C
	1001115402	Ref.	<b>50Hz &amp; Caterpillar Engine (ANSI Export, Australian &amp; CE Specs)</b>	C
	1001115391	Ref.	<b>60Hz &amp; Deutz Engine (ANSI &amp; ANSI Export Specs)</b>	C
	1001115392	Ref.	<b>50Hz &amp; Deutz Engine (ANSI Export, Australian &amp; CE Specs)</b>	B
		Ref.	<b>China Built Machines:</b>	
	1001115401	Ref.	<b>60Hz &amp; Caterpillar Engine (ANSI &amp; ANSI Export Specs)</b>	C
	1001115402	Ref.	<b>50Hz &amp; Caterpillar Engine (ANSI Export, Australian, CE &amp; Japanese Specs)</b>	C
	1001115391	Ref.	<b>60Hz &amp; Deutz Engine (ANSI &amp; ANSI Export Specs)</b>	C
	1001115392	Ref.	<b>50Hz &amp; Deutz Engine (ANSI Export, Australian, CE &amp; Japanese Specs)</b>	B
		Ref.	<b>Note: SkyPower Generator is Standard On ANSI &amp; CSA Specs. Optional on All Other Specs.</b>	
		Ref.	<b>Note: See Section 7 for Boom Cable Components.</b>	
1	0100011	A/R	Compound, Locking	
2	Not Used			
3	3252764	1	Nameplate	
4	3910606	8	Screw #6-32NC x 3/8in	
5	0641516	3	Bolt 5/16in-18NC x 2in	
6	4711500	10	Flatwasher 5/16in Thin	
7	3311505	3	Locknut 5/16in-18NC	
8	4460958	1	Receptacle, Female Twist-Lock Options: 60Hz (ANSI & ANSI Export Specs)	
	See Note		50Hz (ANSI Export, Australian & CE Specs) <b>(Note: Not Available - Purchase Locally)</b>	
9	4360336	1	Switch, Toggle	
10	4060802	1	Guard, Switch	
11	3960422	2	Gasket Options: 60Hz (ANSI & ANSI Export Specs)	
	See Note		50Hz (ANSI Export, Australian & CE Specs) <b>(Note: Not Available - Purchase Locally)</b>	
12	See Note	1	Cover, Receptacle Options: Cover for 50Hz (ANSI Export, Australian & CE Specs) <b>(Note: Not Available - Purchase Locally)</b>	
12A	4060700		Cover - Side Hinged for 60Hz (ANSI & ANSI Export Specs USA Built Machines S/N 0300087000 to S/N 0300138090)	
12B	1001110873		Cover - Top Hinged for 60Hz (ANSI & ANSI Export Specs USA Built Machines S/N 0300138090 to Present)	
12B	1001110873		Cover - Top Hinged for 60Hz (ANSI & ANSI Export Specs China Built Machines S/N B300000100 to Present)	



## SECTION 2 TURNTABLE

**FIGURE 2-30. 7500W SKYPOWER GENERATOR INSTALLATION - CATERPILLAR & DEUTZ ENGINES (CONTINUED)**

ITEM #	PART NUMBER	QTY.	DESCRIPTION	REV.
13	See Note	1	Cover, Receptacle Options: Cover for 50Hz (ANSI Export, Australian & CE Specs) <b>(Note: Not Available - Purchase Locally)</b>	
13A	4061043		Cover - Side Hinged for 60Hz (ANSI & ANSI Export Specs USA Built Machines S/N 0300087000 to S/N 0300138090)	
13B	1001110872		Cover - Top Hinged for 60Hz (ANSI & ANSI Export Specs USA Built Machines S/N 0300138090 to Present)	
13B	1001110872		Cover - Top Hinged for 60Hz (ANSI & ANSI Export Specs China Built Machines S/N B300000100 to Present)	
14	4460346 See Note	1	Receptacle Options: 60Hz (ANSI & ANSI Export Specs) 50Hz (ANSI Export, Australian & CE Specs) <b>(Note: Not Available - Purchase Locally)</b>	
15	0861542 0861567	1	Junction Box Assembly Options (See Items 101-127 for Breakdown): 60Hz (ANSI & ANSI Export Specs) 50Hz (ANSI Export, Australian & CE Specs)	
16	4751500	4	Flatwasher 5/16in Regular	
17	0641505	4	Bolt 5/16in-18NC x 5/8in	
18	0860038 See Note	2	Box, Switch Options: 60Hz (ANSI & ANSI Export Specs) 50Hz (ANSI Export, Australian & CE Specs) <b>(Note: Not Available - Purchase Locally)</b>	
19	2460050 2460048 70001100 70001384 70000863 70001969 70002088 70002297 Use 70003631 Use 70004171	1  1 1 1   1 1	Generator Assembly Options: Caterpillar Engine Deutz Engine Rotor (Includes p/n 70001384 & 70000863) (Not Shown) Bearing, Ball Radial (Not Shown) Fan (Not Shown) Stator Options (Not Shown): 2460050 Generator 2460048 Generator Stud Brushholder Assembly (Not Shown) (was p/n 7024484)	
19A	Use 70004171	1	Key (was p/n 7024561)	
19B	70001966 70003708	1 1	Bearing, Ball Radial (Located in Belt Tensioner Endbell) Ring, Internal Retaining (Located in Belt Tensioner Endbell)	
	70003709	1	Ring, External Retaining (Located in Belt Tensioner Endbell)	
19C	70001953	1	Endbell, Belt Tensioner	
19D	Use 70004170 Use 70004169	1	Endbell, Brush Block Options (was p/n 70001385): Caterpillar Engine Machines Deutz Engine Machines	
19E	Use 70004170 Use 70004169 7027799 70002460 7024485	1  1 1 1	Shroud Options: Caterpillar Engine (was p/ns 70001970 & 70001971) Deutz Engine (was p/n 70002290) Block, Connector 6 Position (Not Shown) Nut, Brass (Attaches p/n 7027799 to Cover) (Not Shown) Breaker, Circuit 30Amp (Not Shown)	

## SECTION 2 TURNTABLE

**FIGURE 2-30. 7500W SKYPOWER GENERATOR INSTALLATION - CATERPILLAR & DEUTZ ENGINES (CONTINUED)**

ITEM #	PART NUMBER	QTY.	DESCRIPTION	REV.
19E cont'd	70001696	1	Boot, Breaker (was p/n 7024486 - Not Shown)	
	7026597	1	Connector, W/Leads (Not Shown)	
	7026188	1	Clamp, Cable (Not Shown)	
		1	Plate, End Panel Options:	
	Use 70004170		Caterpillar Engine (was p/n 70001972)	
	Use 70004169		Deutz Engine (was p/n 70002255)	
	70001974	1	Decal - Terminal Connections	
19F	70001973	1	Decal - Warning Moving Parts	
20	0641808	2	Bolt 1/2in-13NC x 1in	
21	Not Used			
22	0902888	1	Bracket, Box Mounting	
23	4711800	A/R	Flatwasher 1/2in Thin	
24	4711400	A/R	Flatwasher 1/4in Thin	
25	0641404	A/R	Bolt 1/4in-20NC x 1/2in	
26		1	Shield Options:	
26A	1001118599		Caterpillar Engine (USA Built Machines S/N 0300143952 to S/N 0300172670 & China Built Machines S/N B300000231 to S/N B300000763)	
26B	4061049		Deutz Engine (USA Built Machines S/N 0300087000 to S/N 0300172670 & China Built Machines S/N B300000100 to S/N B300000763)	
27	4751400	2	Flatwasher 1/4in Regular (USA Built Machines S/N 0300087000 to S/N 0300172670 & China Built Machines S/N B300000100 to S/N B300000763)	
28	4240018	A/R	Tie-strap (Not Shown)	
29	4791400	2	Starwasher 1/4in	
30	0641403	1	Bolt 1/4in-20NC x 3/8in	
31	3740080	2	Relay	
32	0100019	A/R	Compound, Locking	
33		1	Connector, Strain Relief Options:	
	4460051		60Hz (ANSI & ANSI Export Specs)	
	See Note		50Hz (ANSI Export, Australian & CE Specs) <b>(Note: Not Available - Purchase Locally)</b>	
34		1	Connector, Strain Relief Options:	
	4460071		60Hz (ANSI & ANSI Export Specs)	
	See Note		50Hz (ANSI Export, Australian & CE Specs) <b>(Note: Not Available - Purchase Locally)</b>	
35	3311405	A/R	Locknut 1/4in-20NC	
36	0641406	A/R	Bolt 1/4in-20NC x 3/4in	
	0641405	A/R	Bolt 1/4in-20NC x 5/8in	
37		1	Belt, Drive Options:	
	0480129		60Hz (ANSI & ANSI Export Specs)	
	0480125		50Hz with Caterpillar Engine (ANSI Export, Australian & CE Specs)	
	0480126		50Hz with Deutz Engine (ANSI Export, Australian & CE Specs)	
38		4	Bolt, Metric Options:	
	0700815		Caterpillar Engine (Bolt M8 x 35mm)	
	4032015		Deutz Engine (Capscrew M10 x 55mm)	
39	4300157	1	Stud	

## SECTION 2 TURNTABLE

**FIGURE 2-30. 7500W SKYPOWER GENERATOR INSTALLATION - CATERPILLAR & DEUTZ ENGINES (CONTINUED)**

ITEM #	PART NUMBER	QTY.	DESCRIPTION	REV.
40	3311801	1	Nut 1/2in-13NC	
41	0100062	1	Loctite, #RC680	
42	2820031	1	Insulator	
43		1	Control Box Assembly Options:	
	0861538	1	60Hz Control Box Assembly (ANSI & ANSI Export Specs)	
	0861572	1	50Hz Control Box Assembly (ANSI Export, Australian & CE Specs)	
	7024488	1	Card, Circuit - Generator Power	
	See Note	1	Fuse ( <b>Note: Not Available - Purchase Locally</b> )	
	7024489	1	Card, Circuit - Control	
		Ref.	<b>Note: Same Circuit Card (P/N 7024489) is used for both 60Hz &amp; 50Hz. When replacing card, rocker switch on card must be set for required application.</b>	
	70000619	1	Harness, Circuit Card	
44	0962520	1	Bushing, Split Taper	
45	3580317	1	Tensioner, Belt	
46		1	Pulley Options:	
	3580318		60Hz (ANSI & ANSI Export Specs)	
	3580319		50Hz (ANSI Export, Australian & CE Specs)	
47		1	Pulley Options:	
	3580321		Caterpillar Engine	
	3580320		Deutz Engine	
48	4711600	1	Flatwasher 3/8in Thin	
49	4922925	1	Harness, Generator	
50		1	Bolt 3/8in-16NC x 2-1/4in Options:	
	3931632		Socket Head Capscrew	
	0641618		Hex Head Bolt	
51	4811900	4	Flatwasher M8 (Caterpillar Engine Only)	
52	Not Used			
53	3300454	4	Nut Special 1/4in-20NC (Deutz Engine Only)	
54	3575863	1	Plate, EMR2 Mount (Deutz Engine Only)	
55		A/R	Bolt Options:	
	0641808	2	Bolt 1/2in-13NC x 1in (Caterpillar Engine Only)	
	0771415	1	Bolt Metric M14 x 35mm (Deutz Engine Only)	
56	4761400	2	Lockwasher 1/4in (Caterpillar Engine Only) (USA Built Machines S/N 0300143952 to S/N 0300168349 & China Built Machines S/N B300000231 to S/N B300000734)	
		Ref.	<b>JUNCTION BOX ASSEMBLY</b>	
	0861542	Ref.	<b>60Hz (ANSI &amp; ANSI Export Specs)</b>	D
	0861567	Ref.	<b>50Hz (ANSI Export, Australian &amp; CE Specs)</b>	B
101	0861541	1	Box, Junction	
102		2ft/.6m	Cable, Electrical 12/3 Options:	
	1060494		60Hz (ANSI & ANSI Export Specs)	
	See Note		50Hz (ANSI Export, Australian & CE Specs) ( <b>Note: Not Available - Purchase Locally</b> )	

## SECTION 2 TURNTABLE

**FIGURE 2-30. 7500W SKYPOWER GENERATOR INSTALLATION - CATERPILLAR & DEUTZ ENGINES (CONTINUED)**

ITEM #	PART NUMBER	QTY.	DESCRIPTION	REV.
103	1060708 See Note	2.5ft/.76m	Cable, Electrical 10/3 Options: 60Hz (ANSI & ANSI Export Specs) 50Hz (ANSI Export, Australian & CE Specs) <b>(Note: Not Available - Purchase Locally)</b>	
104	1705376	1	Decal - Wiring Schematic	
105	3300396	1	Cover, Fuse	
106	3310601	2	Nut 6-32NC	
107	1060343 3520189	1.5ft/.46m 1	Cable, Electrical 10/4 (60Hz Spec Only) Plug (50Hz Spec Only)	
108	Not Used			
109	3910610	2	Bolt 6-32NC x 5/8	
110	4360070	1	Circuit Breaker - 15 Amp	
111 to 115	Not Used			
116	4460425	2	Strain Relief, Terminal	
117	4460426	2	Connector, Strain Relief	
118 to 120	Not Used			
121	4750600	4	Flatwasher #6 Regular	
122	4760600	2	Lockwasher #6	
123 to 124	Not Used			
125	1671092	1	Cover (60Hz Spec Only)	
126	4460963	1	Connector (60Hz Spec Only)	
127	Not Used			
128		1	Terminal Block Assembly Options (See Items 401-410 for Breakdown):	
	NPN 1001121340		Gray Terminal Block Assembly Tan Terminal Block Assembly	
		Ref.	<b>DECAL INSTALLATION</b>	
	0272435	Ref.	<b>60Hz (ANSI &amp; ANSI Export Specs)</b>	B
	0272589	Ref.	<b>50Hz (ANSI Export, Australian &amp; CE Specs)</b>	A
201	1705460	2	Decal - SkyPower™	
202	1705374	1	Decal - 240V - 60Hz (60Hz Spec Only)	
203		1	Decal - 240V - 3 Phase Options:	
	1705375		60Hz (ANSI & ANSI Export Specs)	
	1705461		50Hz (ANSI Export, Australian & CE Specs)	
204		3	Decal, Hazardous Voltage Options:	
	1705387		60Hz (ANSI & ANSI Export Specs)	
	1705489		50Hz (ANSI Export, Australian & CE Specs)	
		Ref.	<b>ELECTRICAL DIAGRAM COMPONENTS</b>	
	4933264	Ref.	<b>USA Built Machines S/N 0300087000 to S/N 0300139041</b>	C
	1001112586	Ref.	<b>USA Built Machines S/N 0300139041 to Present</b>	A
	1001112586	Ref.	<b>China Built Machines S/N B300000100 to Present</b>	A
301		1	Generator Harness Options (See Section 7 for Breakdown):	
	4922757	1	USA Built Machines without UGM	3/C
	1001112587	1	USA Built Machines with UGM	A
	1001112587	1	China Built Machines	A

## SECTION 2 TURNTABLE

**FIGURE 2-30. 7500W SKYPOWER GENERATOR INSTALLATION - CATERPILLAR & DEUTZ ENGINES (CONTINUED)**

ITEM #	PART NUMBER	QTY.	DESCRIPTION	REV.
301A	4460374	2	Plug, Sealed Relay	
	4460375	7	Terminal	
301B	4460967	1	Plug, Male - 3 Position	
	4460465	3	Socket, Female	
301C	2400060	1	Fuseholder (Not Shown)	
	2400064	1	Fuse - 5 Amp (Not Shown)	
302 to 303	Not Used			
304	4922641	1	Switch Harness	
		Ref.	<b>TERMINAL BLOCK ASSEMBLY</b>	
	NPN	Ref.	<b>Gray Terminal Block Assembly (Complete Assembly Not Available - Purchase Individual Components)</b>	
	1001121340	Ref.	<b>Tan Terminal Block Assembly</b>	A
401		2	Marker Strip #1 Options:	
	4460411		Gray Terminal Block Assembly	
	70002818		Tan Terminal Block Assembly	
402		4	Marker Strip #2 Options:	
	4460412		Gray Terminal Block Assembly	
	70002819		Tan Terminal Block Assembly	
403		2	Marker Strip #3 Options:	
	4460413		Gray Terminal Block Assembly	
	70002820		Tan Terminal Block Assembly	
404		2	Marker Strip #4 Options:	
	4460414		Gray Terminal Block Assembly	
	70002821		Tan Terminal Block Assembly	
405		4	Marker Strip #5 Options:	
	4460415		Gray Terminal Block Assembly	
	70002822		Tan Terminal Block Assembly	
406		1	Terminal, End Barrier Options:	
	4460956		Gray Terminal Block Assembly	
	70002823		Tan Terminal Block Assembly	
407		2	Terminal, End Block Options:	
	4460607		Gray Terminal Block Assembly	
	70002824		Tan Terminal Block Assembly	
408		7	Terminal, Block Options:	
	4460957		Gray Terminal Block Assembly	
	70002825		Tan Terminal Block Assembly	
409		2	Terminal, Cross Connector Jumper Options:	
	4461001		Gray Terminal Block Assembly	
	70002826		Tan Terminal Block Assembly	
410	3641533	1	Rail, Relay	

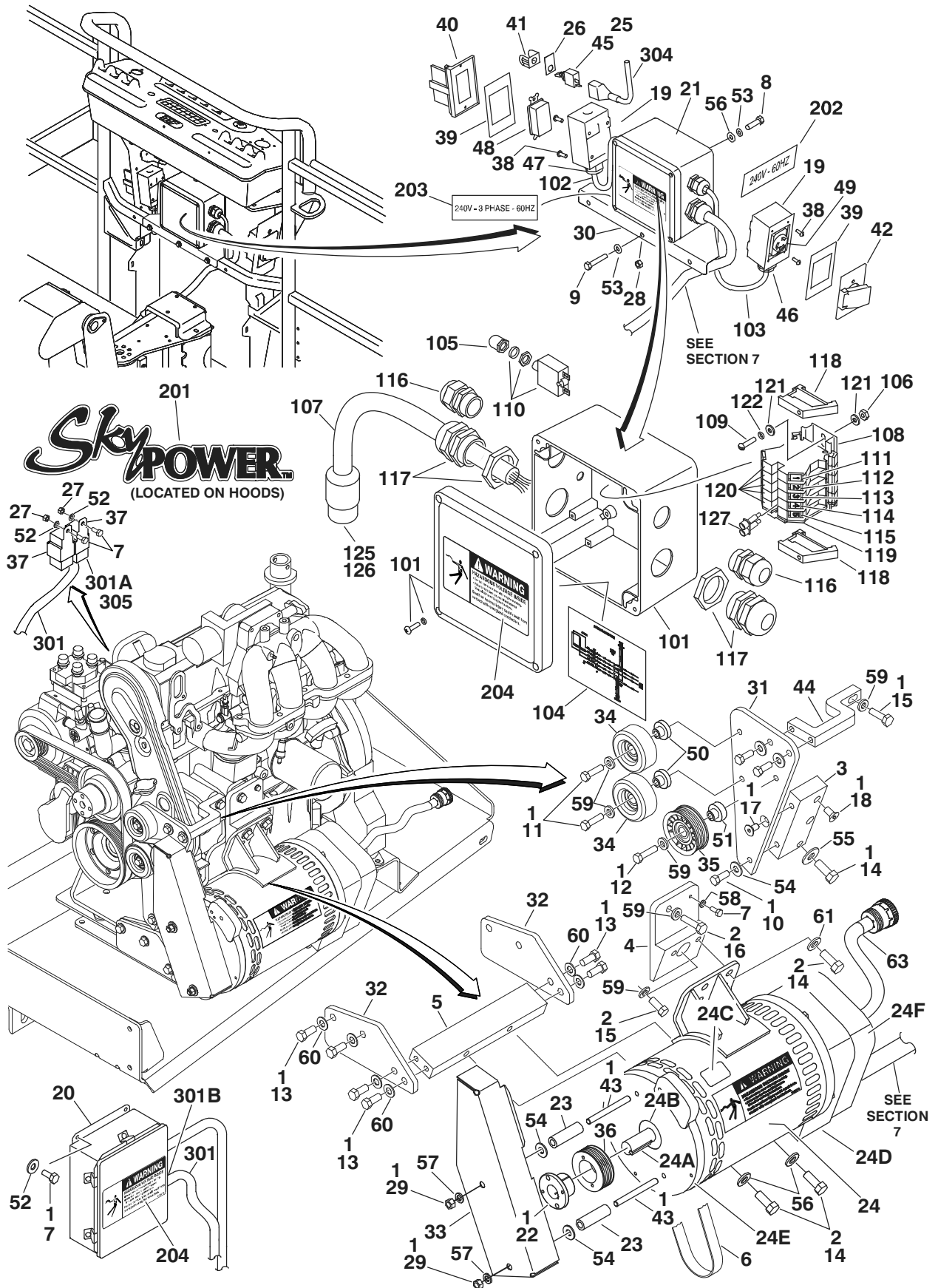
**SECTION 2 TURNTABLE**

**FIGURE 2-30. 7500W SKYPOWER GENERATOR INSTALLATION - CATERPILLAR & DEUTZ ENGINES (CONTINUED)**

ITEM #	PART NUMBER	QTY.	DESCRIPTION	REV.

# SECTION 2 TURNTABLE

FIGURE 2-31. 7500W SKYPOWER GENERATOR INSTALLATION - FORD ENGINES



## SECTION 2 TURNTABLE

**FIGURE 2-31. 7500W SKYPOWER GENERATOR INSTALLATION - FORD ENGINES**

ITEM #	PART NUMBER	QTY.	DESCRIPTION	REV.
		Ref.	<b>Note: Only Available on USA Built Machines.</b>	
	0273109	Ref.	<b>7500W SKYPOWER GENERATOR INSTALLATION</b>	F
		Ref.	<b>Note: SkyPower Generator is Standard On ANSI &amp; CSA Specs. Optional on All Other Specs.</b>	
		Ref.	<b>Note: See Section 7 for Boom Cable Components.</b>	
1	0100011	A/R	Compound, Locking	
2	0100019	A/R	Compound, Locking	
3	0363097	1	Bar, Pulley Mount	
4	0363201	1	Bar, Generator Mount (Top)	
5	0363202	1	Bar, Generator Mount (Bottom)	
6	0480130	1	Belt, Generator	
7	0641405	A/R	Bolt 1/4in-20NC x 5/8in	
8	0641505	4	Bolt 5/16in-18NC x 5/8in	
9	0641516	3	Bolt 5/16in-18NC x 2in	
10	0641608	3	Bolt 3/8in-16NC x 1in	
11	0641611	2	Bolt 3/8in-16NC x 1-3/8in	
12	0641612	1	Bolt 3/8in-16NC x 1-1/2in	
13	0641708	8	Bolt 7/16in-14NC x 1in	
14	0641810	5	Bolt 1/2in-13NC x 1-1/4in	
15	0701015	2	Bolt, Metric M10 x 35mm	
16	0701016	1	Bolt, Metric M10 x 40mm	
17	0741606	1	Screw, Flathead Countersunk 3/8in-16NC x 3/4in	
18	0741808	1	Screw, Flathead Countersunk 1/2in-13NC x 1in	
19	0860038	2	Box, Switch	
20	Use 0861538	1	Control Box Assembly (Was p/n 7024487):	
	7024488	1	Card, Circuit - Generator Power	
	See Note	1	Fuse ( <b>Note: Not Available - Purchase Locally</b> )	
	7024489	1	Card, Circuit - Control	
	70000619	1	Harness, Circuit Card	
21	0861542	1	Junction Box Assembly (See Items 101-127 for Breakdown)	
22	0962520	1	Bushing, Split Taper	
23	0962521	2	Spacer, Tube	
24	2460048	1	Generator Assembly	
	Use 70003631	1	Brushholder Assembly (Not Shown) (was p/n 7024484)	
	7024485	1	Breaker, Circuit 30Amp (Not Shown)	
	70001696	1	Boot, Breaker (was p/n 7024486 - Not Shown)	
	70001966	1	Bearing, Ball Radial (Located In Belt Tensioner Endbell - Not Shown)	
	7027799	1	Block, Connector 6 Position (Not Shown)	
	70002460	6	Nut, Brass (Attaches p/n 7027799 to Cover) (Not Shown)	
	7026188	1	Clamp, Cable (Not Shown)	
	7026597	1	Connector, W/Leads (Not Shown)	
	70002088	1	Stator (Not Shown)	
	Use 70004169	1	Panel, End (Not Shown) (was p/n 70002255)	
	70001974	1	Decal - Terminal Connections (Not Shown)	
	70000863	1	Fan (Not Shown)	
	70002297	4	Stud (Not Shown)	



## SECTION 2 TURNTABLE

**FIGURE 2-31. 7500W SKYPOWER GENERATOR INSTALLATION - FORD ENGINES**

ITEM #	PART NUMBER	QTY.	DESCRIPTION	REV.
24A	Use 70004171	1	Key (was p/n 7024561)	
	70001100	1	Armature, Generator (Includes Radial Ball Bearing on End with Brushes and Fan)	
	70001384	1	Bearing, Ball Radial	
24B	70001966		Bearing, Radial Ball (Located in Belt Tensioner Endbell)	
	70003708	1	Ring, Internal Retaining (Located in Belt Tensioner Endbell)	
	70003709	1	Ring, External Retaining (Located in Belt Tensioner Endbell)	
24C	70001973	1	Decal - Warning Moving Parts	
24D	Use 70004169	1	Endbell, Brush Block (was p/n 70001385)	
24E	70001953	1	Endbell, Belt Tensioner	
24F	Use 70004169	1	Endbell, Shroud Assembly (was p/n 70002290)	
25	2820031	1	Insulator	
26	3252764	1	Nameplate	
27	3311405	6	Locknut 1/4in-20NC	
28	3311505	3	Locknut 5/16in-18NC	
29	3311601	2	Nut 3/8in-16NC	
30	0902888	1	Bracket, Box Mounting	
31	3574225	1	Plate, Pulley Mounting	
32	3574229	2	Plate, Gusset Generator Mounting	
33	3574262	1	Plate, Shield	
34	3580312	2	Pulley, Idler	
35	3580313	1	Pulley, Idler Grooved	
36	3580314	1	Pulley, Drive Grooved	
37	3740080	2	Relay	
38	3910606	8	Screw #6-32NC x 3/8in	
39	3960422	2	Gasket	
40	4060700	1	Cover, Receptacle	
41	4060802	1	Guard, Switch	
42	4061043	1	Cover, Receptacle	
43	4300111	2	Stud, Chain Assembly	
44	4340738	1	Support, Idler Pulley Mount	
45	4360336	1	Switch, Toggle	
46	4460051	1	Connector, Strain Relief	
47	4460071	1	Connector, Strain Relief	
48	4460346	1	Receptacle	
49	4460958	1	Receptacle, Female Twist-Lock	
50	4568734	2	Tube, Spacer Pulley	
51	4568735	1	Tube, Spacer Pulley Grooved	
52	4711400	10	Flatwasher 1/4in Thin	
53	4711500	10	Flatwasher 5/16in Thin	
54	4711600	5	Flatwasher 3/8in Thin	
55	4711800	1	Flatwasher 1/2in Thin	
56	4761500	4	Lockwasher 5/16in	
57	4761600	2	Lockwasher 3/8in	
58	4791400	1	Starwasher 1/4in	
59	4891600	6	Flatwasher 3/8in Hardened	
60	4891700	8	Flatwasher 7/16in Hardened	
61	4891800	4	Flatwasher 1/2in Hardened	
62	Not Used			
63	4922905	1	Harness, Generator	

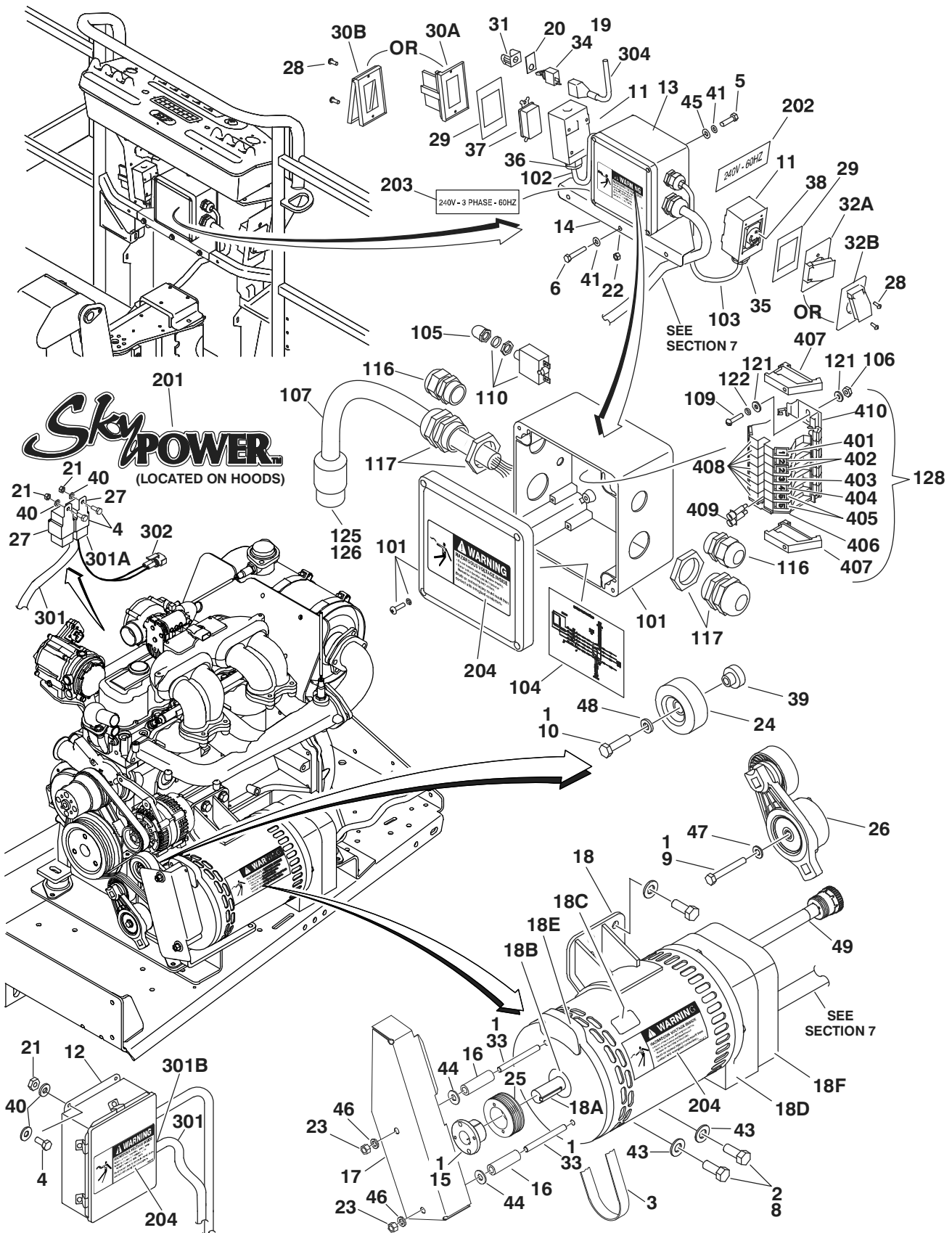
## SECTION 2 TURNTABLE

**FIGURE 2-31. 7500W SKYPOWER GENERATOR INSTALLATION - FORD ENGINES**

ITEM #	PART NUMBER	QTY.	DESCRIPTION	REV.
	0861542	Ref.	<b>JUNCTION BOX ASSEMBLY</b>	C
101	0861541	1	Box, Junction	
102	1060494	2ft/.6m	Cable, Electrical 12/3	
103	1060708	2.5ft/.76m	Cable, Electrical 10/3	
104	1705376	1	Decal - Wiring Schematic	
105	3300396	1	Cover, Fuse	
106	3310601	2	Nut 6-32NC	
107	1060343	1.5ft/.46m	Cable, Electrical 10/4	
108	3641533	1	Rail, Relay	
109	3910610	2	Bolt 6-32NC x 5/8	
110	4360070	1	Circuit Breaker - 15 Amp	
111	4460411	2	Marker Strip #1	
112	4460412	4	Marker Strip #2	
113	4460413	2	Marker Strip #3	
114	4460414	2	Marker Strip #4	
115	4460415	4	Marker Strip #5	
116	4460425	2	Strain Relief, Terminal	
117	4460426	2	Connector, Strain Relief	
118	4460607	2	Terminal, End Stop	
119	4460956	1	Terminal, Block End	
120	4460957	7	Terminal, Block	
121	4750600	4	Flatwasher, #6 Regular	
122	4760600	2	Lockwasher #6	
123 to 124	Not Used			
125	1671092	1	Cover	
126	4460963	1	Connector	
127	4461001	2	Terminal, Cross Connector	
	0272435	Ref.	<b>DECAL INSTALLATION</b>	B
201	1705460	2	Decal - SkyPower™	
202	1705374	1	Decal - 240V - 60Hz	
203	1705375	1	Decal - 240V - 3 Phase	
204	1705387	3	Decal, Hazardous Voltage	
	4933283	Ref.	<b>ELECTRICAL DIAGRAM COMPONENTS</b>	2/B
301	4922905	1	Generator Harness	2/B
301A	4460374	2	Plug, Sealed Relay	
	4460375	7	Terminal	
301B	4460967	1	Plug, Male - 3 Position	
	4460465	3	Socket, Female	
301C	2400060	2	Fuseholder (Not Shown)	
	2400064	2	Fuse - 5 Amp (Not Shown)	
302 to 303	Not Used			
304	4922641	1	Switch Harness	
305	4460375	1	Terminal	

# SECTION 2 TURNTABLE

FIGURE 2-32. 7500W SKYPOWER GENERATOR INSTALLATION - GM ENGINES



## SECTION 2 TURNTABLE

**FIGURE 2-32. 7500W SKYPOWER GENERATOR INSTALLATION - GM ENGINES**

ITEM #	PART NUMBER	QTY.	DESCRIPTION	REV.
		Ref.	<b>Note: Only Available on USA Built Machines.</b>	
	0275257	Ref.	<b>7500W SKYPOWER GENERATOR INSTALLATION</b>	F
		Ref.	<b>Note: SkyPower Generator is Standard On ANSI &amp; CSA Specs. Optional on All Other Specs.</b>	
		Ref.	<b>Note: See Section 7 for Boom Cable Components.</b>	
1	0100011	A/R	Compound, Locking	
2	0100019	A/R	Compound, Locking	
3	0480142	1	Belt, Generator	
4	0641405	6	Bolt 1/4in-20NC x 5/8in	
5	0641505	4	Bolt 5/16in-18NC x 5/8in	
6	0641516	3	Bolt 5/16in-18NC x 2in	
7	Not Used			
8	0641808	4	Bolt 1/2in-13NC x 1in	
9	0700820	1	Bolt, Metric M8 x 60mm	
10	0701016	1	Bolt, Metric M10 x 40mm	
11	0860038	2	Box, Switch	
12	0861538	1	Control Box Assembly	
	7024488	1	Card, Circuit - Generator Power	
	See Note	1	Fuse ( <b>Note: Not Available - Purchase Locally</b> )	
	7024489	1	Card, Circuit - Control	
	70000619	1	Harness, Circuit Card	
13	0861542	1	Junction Box Assembly (See Items 101-127 for Breakdown)	
14	0902888	1	Bracket, Box Mounting	
15	0962520	1	Bushing, Split Taper	
16	0962521	2	Spacer, Tube (USA Built Machines S/N 0300087000 to S/N 0300172670 & China Built Machines S/N B300000100 to S/N B300000763)	
17	1671311	1	Cover, Generator Belt (USA Built Machines S/N 0300087000 to S/N 0300172670 & China Built Machines S/N B300000100 to S/N B300000763)	
18	2460048	1	Generator Assembly	
	Use 70003631	1	Brushholder Assembly (Not Shown) (was p/n 7024484)	
	7024485	1	Breaker, Circuit 30Amp (Not Shown)	
	70001696	1	Boot, Breaker (was p/n 7024486 - Not Shown)	
	70001966	1	Bearing, Ball Radial (Located In Belt Tensioner Endbell - Not Shown)	
	7027799	1	Block, Connector 6 Position (Not Shown)	
	70002460	6	Nut, Brass (Attaches p/n 7027799 to Cover) (Not Shown)	
	7026188	1	Clamp, Cable (Not Shown)	
	7026597	1	Connector, W/Leads (Not Shown)	
	70002088	1	Stator (Not Shown)	
	Use 70004169	1	Panel, End (Not Shown) (was p/n 70002255)	
	70001974	1	Decal - Terminal Connections (Not Shown)	
	70000863	1	Fan (Not Shown)	
	70002297	4	Stud (Not Shown)	

## SECTION 2 TURNTABLE

**FIGURE 2-32. 7500W SKYPOWER GENERATOR INSTALLATION - GM ENGINES**

ITEM #	PART NUMBER	QTY.	DESCRIPTION	REV.
18A	Use 70004171	1	Key (was p/n 7024561)	
	70001100	1	Armature, Generator (Includes Radial Ball Bearing on End with Brushes and Fan)	
	70001384	1	Bearing, Ball Radial	
18B	70001966		Bearing, Radial Ball	
	70003708	1	Ring, Internal Retaining (Located in Belt Tensioner Endbell)	
	70003709	1	Ring, External Retaining (Located in Belt Tensioner Endbell)	
18C	70001973	1	Decal - Warning Moving Parts	
18D	Use 70004169	1	Endbell, Brush Block (was p/n 70001385)	
18E	70001953	1	Endbell, Belt Tensioner	
18F	Use 70004169	1	Endbell, Shroud Assembly (was p/n 70002290)	
19	2820031	1	Insulator	
20	3252764	1	Nameplate	
21	3311405	6	Locknut 1/4in-20NC	
22	3311505	3	Locknut 5/16in-18NC	
23	3311601	2	Nut 3/8in-16NC (USA Built Machines S/N 0300087000 to S/N 0300172670 & China Built Machines S/N B300000100 to S/N B300000763)	
24	3580312	2	Pulley, Idler	
25	3580314	1	Pulley, Drive Grooved	
26	3580348	1	Pulley, Belt Tensioner	
27	3740080	2	Relay	
28	3910606	8	Screw #6-32NC x 3/8in	
29	3960422	2	Gasket	
30		1	Cover, Receptacle Options:	
30A	4060700		Cover - Side Hinged (S/N 0300087000 to S/N 0300137770)	
30B	1001114873		Cover - Top Hinged (S/N 0300137770 to Present)	
31	4060802	1	Guard, Switch	
32		1	Cover, Receptacle Options:	
32A	4061043		Cover - Side Hinged (S/N 0300087000 to S/N 0300137770)	
32B	1001114872		Cover - Top Hinged (S/N 0300137770 to Present)	
33	4300111	2	Stud, Chain Assembly (USA Built Machines S/N 0300087000 to S/N 0300172670 & China Built Machines S/N B300000100 to S/N B300000763)	
34	4360336	1	Switch, Toggle	
35	4460051	1	Connector, Strain Relief	
36	4460071	1	Connector, Strain Relief	
37	4460346	1	Receptacle	
38	4460958	1	Receptacle, Female Twist-Lock	
39	4568735	1	Tube, Spacer Pulley Grooved	
40	4711400	10	Flatwasher 1/4in Thin	
41	4711500	10	Flatwasher 5/16in Thin	
42	Not Used			
43	4711800	4	Flatwasher 1/2in Thin	
44	4751600	2	Flatwasher 3/8in Regular (USA Built Machines S/N 0300087000 to S/N 0300172670 & China Built Machines S/N B300000100 to S/N B300000763)	
45	4761500	4	Lockwasher 5/16in	
46	4761600	2	Lockwasher 3/8in (USA Built Machines S/N 0300087000 to S/N 0300172670 & China Built Machines S/N B300000100 to S/N B300000763)	

## SECTION 2 TURNTABLE

**FIGURE 2-32. 7500W SKYPOWER GENERATOR INSTALLATION - GM ENGINES**

ITEM #	PART NUMBER	QTY.	DESCRIPTION	REV.
47	4811900	1	Flatwasher M8	
48	4891600	1	Flatwasher 3/8in Hardened	
49	4922925	1	Harness, Generator	
	0861542	Ref.	<b>JUNCTION BOX ASSEMBLY</b>	D
101	0861541	1	Box, Junction	
102	1060494	2ft/.6m	Cable, Electrical 12/3	
103	1060708	2.5ft/.76m	Cable, Electrical 10/3	
104	1705376	1	Decal - Wiring Schematic	
105	3300396	1	Cover, Fuse	
106	3310601	2	Nut 6-32NC	
107	1060343	1.5ft/.46m	Cable, Electrical 10/4	
108	Not Used			
109	3910610	2	Bolt 6-32NC x 5/8	
110	4360070	1	Circuit Breaker - 15 Amp	
111 to 115	Not Used			
116	4460425	2	Strain Relief, Terminal	
117	4460426	2	Connector, Strain Relief	
118 to 120	Not Used			
121	4750600	4	Flatwasher #6 Regular	
122	4760600	2	Lockwasher #6	
123 to 124	Not Used			
125	1671092	1	Cover	
126	4460963	1	Connector	
127	Not Used			
128		1	Terminal Block Assembly Options (See Items 401-410 for Breakdown):	
	NPN		Gray Terminal Block Assembly	
	1001121340		Tan Terminal Block Assembly	
	0272435	Ref.	<b>DECAL INSTALLATION</b>	B
201	1705460	2	Decal - SkyPower™	
202	1705374	1	Decal - 240V - 60Hz	
203	1705375	1	Decal - 240V - 3 Phase	
204	1705387	3	Decal, Hazardous Voltage	
	4933349	Ref.	<b>ELECTRICAL DIAGRAM COMPONENTS</b>	A
301	4923420	1	Generator Harness	A
301A	4460374	2	Plug, Sealed Relay	
	4460375	8	Terminal	
301B	4460967	1	Plug, Male - 3 Position	
	4460465	3	Socket, Female	
301C	2400060	2	Fuseholder (Not Shown)	
	2400064	2	Fuse - 5 Amp (Not Shown)	
302	4460742	1	Connector - 2 Position	
	4460743	2	Socket, Female	
	4460458	2	Seal	

## SECTION 2 TURNTABLE

**FIGURE 2-32. 7500W SKYPOWER GENERATOR INSTALLATION - GM ENGINES**

ITEM #	PART NUMBER	QTY.	DESCRIPTION	REV.
303	Not Used			
304	4922641	1	Switch Harness	
		Ref.	<b>TERMINAL BLOCK ASSEMBLY</b>	
	NPN	Ref.	<b>Gray Terminal Block Assembly (Complete Assembly Not Available - Purchase Individual Components)</b>	
	1001121340	Ref.	<b>Tan Terminal Block Assembly</b>	A
401		2	Marker Strip #1 Options:	
	4460411		Gray Terminal Block Assembly	
	70002818		Tan Terminal Block Assembly	
402		4	Marker Strip #2 Options:	
	4460412		Gray Terminal Block Assembly	
	70002819		Tan Terminal Block Assembly	
403		2	Marker Strip #3 Options:	
	4460413		Gray Terminal Block Assembly	
	70002820		Tan Terminal Block Assembly	
404		2	Marker Strip #4 Options:	
	4460414		Gray Terminal Block Assembly	
	70002821		Tan Terminal Block Assembly	
405		4	Marker Strip #5 Options:	
	4460415		Gray Terminal Block Assembly	
	70002822		Tan Terminal Block Assembly	
406		1	Terminal, End Barrier Options:	
	4460956		Gray Terminal Block Assembly	
	70002823		Tan Terminal Block Assembly	
407		2	Terminal, End Block Options:	
	4460607		Gray Terminal Block Assembly	
	70002824		Tan Terminal Block Assembly	
408		7	Terminal, Block Options:	
	4460957		Gray Terminal Block Assembly	
	70002825		Tan Terminal Block Assembly	
409		2	Terminal, Cross Connector Jumper Options:	
	4461001		Gray Terminal Block Assembly	
	70002826		Tan Terminal Block Assembly	
410	3641533	1	Rail, Relay	

# **SECTION 3 BOOM**



# SECTION 3 BOOM

## FIGURE 3-1. USA BUILT MACHINES/BOOMS & CYLINDERS INSTALLATION - 600A

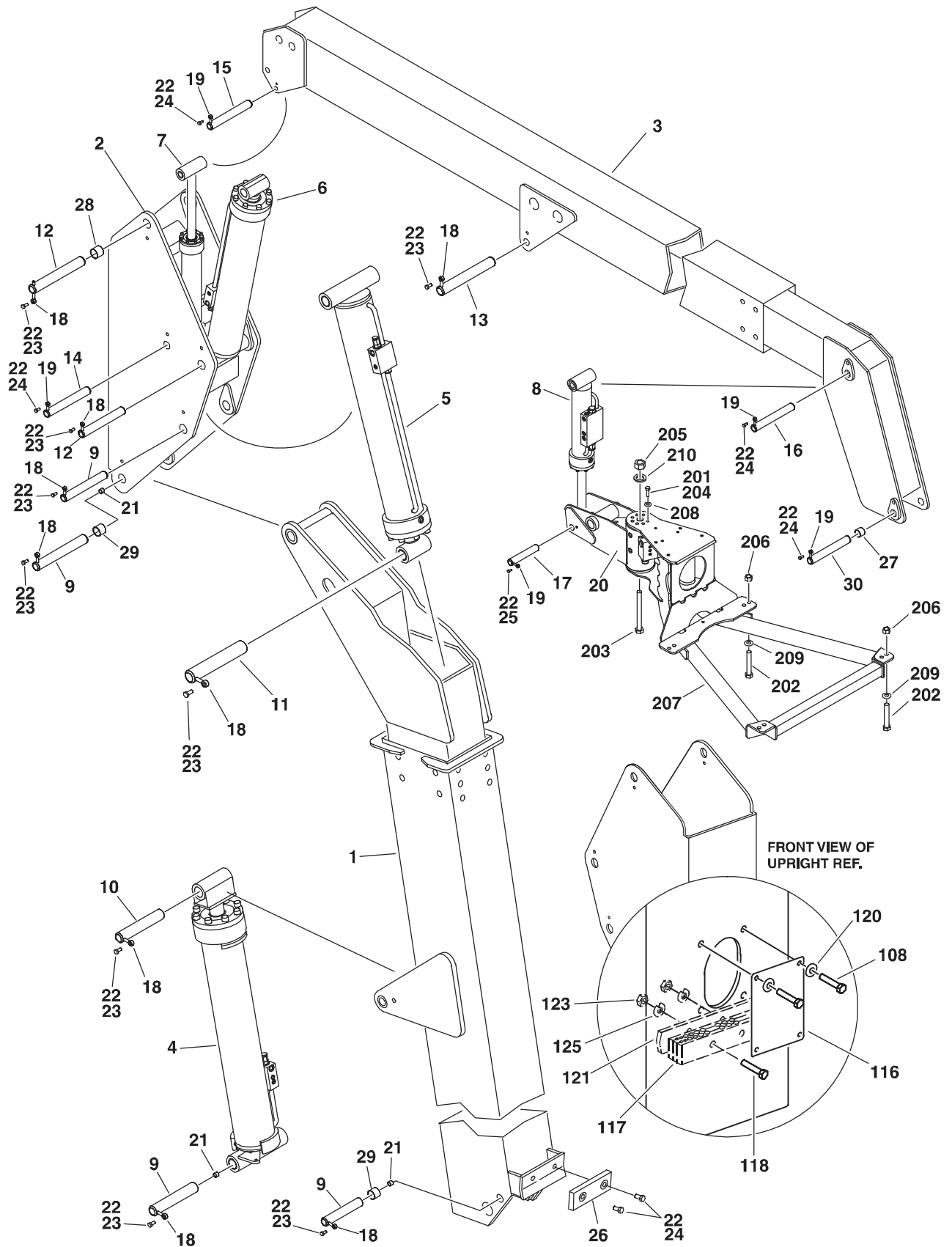


FIGURE 3-1. USA BUILT MACHINES/BOOMS &amp; CYLINDERS INSTALLATION - 600A

ITEM #	PART NUMBER	QTY.	DESCRIPTION	REV.
		Ref.	<b>Note: USA Built Machines S/Ns start with "03" Prefix. China Built Machines S/Ns start with "B3" Prefix.</b>	
	0272326	Ref.	<b>BOOMS AND CYLINDERS INSTALLATION</b>	3
1	0801019	1	Tower Boom Assembly (See Figure 3-5 for Breakdown)	
2	4846005	1	Upright Weldment	
3	0801022	1	Main Boom Assembly (See Figure 3-6 for Breakdown)	
4	1683288	1	Tower Lift Cylinder Assembly (See Section 5 for Breakdown)	
5		1	Upright Level Cylinder Assembly Options (See Section 5 for Breakdown):	
	Use 1684498	1	USA Built Machines S/N 0300087000 to S/N 0300097638 (was p/n 1683299)	
	1684498	1	USA Built Machines S/N 0300097638 to Present	
6	1683294	1	Main Lift Cylinder Assembly (See Section 5 for Breakdown)	
7	1683266	1	Master Cylinder Assembly (See Section 5 for Breakdown)	
8	1683415	1	Platform Level Cylinder Assembly (See Section 5 for Breakdown)	
9	3422571	4	Pin	
10	3422573	1	Pin	
11	3422575	1	Pin	
12	3422572	2	Pin	
13		1	Pin Options:	
	3422576		USA Built Machines S/N 0300087000 to S/N 0300115420	
	1001097822		US Built Machines S/N 0300115420 to Present	
14	3422565	1	Pin	
15	3422577	1	Pin	
16	3422578	1	Pin	
17	3422580	1	Pin	
18	3841203	9	Keeper, Pin - 1/2in	
19	3841143	5	Keeper, Pin - 3/8in	
20	0060068	1	Rotator Assembly (See Figure 3-7 for Breakdown)	
21	3900239	4	Setscrew	
22	0100011	A/R	Compound, Locking	
23	0641810	15	Bolt 1/2in-13NC x 1-1/4in	
24	0641607	A/R	Bolt 3/8in-16NC x 7/8in	
25	3900166	1	Screw, Socket Head Countersunk - 3/8in-16NC x 7/8in	
26	0561076	1	Block, Boom Rest	
27	0961951	2	Bushing, Garmax	
28	0961948	2	Bushing, Garmax	
29	0961949	4	Bushing, Garmax	
30	3422582	1	Pin	
	0255423	Ref.	<b>POWER TRACK INSTALLATION</b>	14/L
101to 107	Not Used			
108	0641403	4	Bolt 1/4in-20NC x 3/8in	
109 to 115	Not Used			
116	3539779	1	Plate, Cover	
117	1320243	1	Clamp, Block	

## SECTION 3 BOOM

**FIGURE 3-1. USA BUILT MACHINES/BOOMS & CYLINDERS INSTALLATION - 600A**

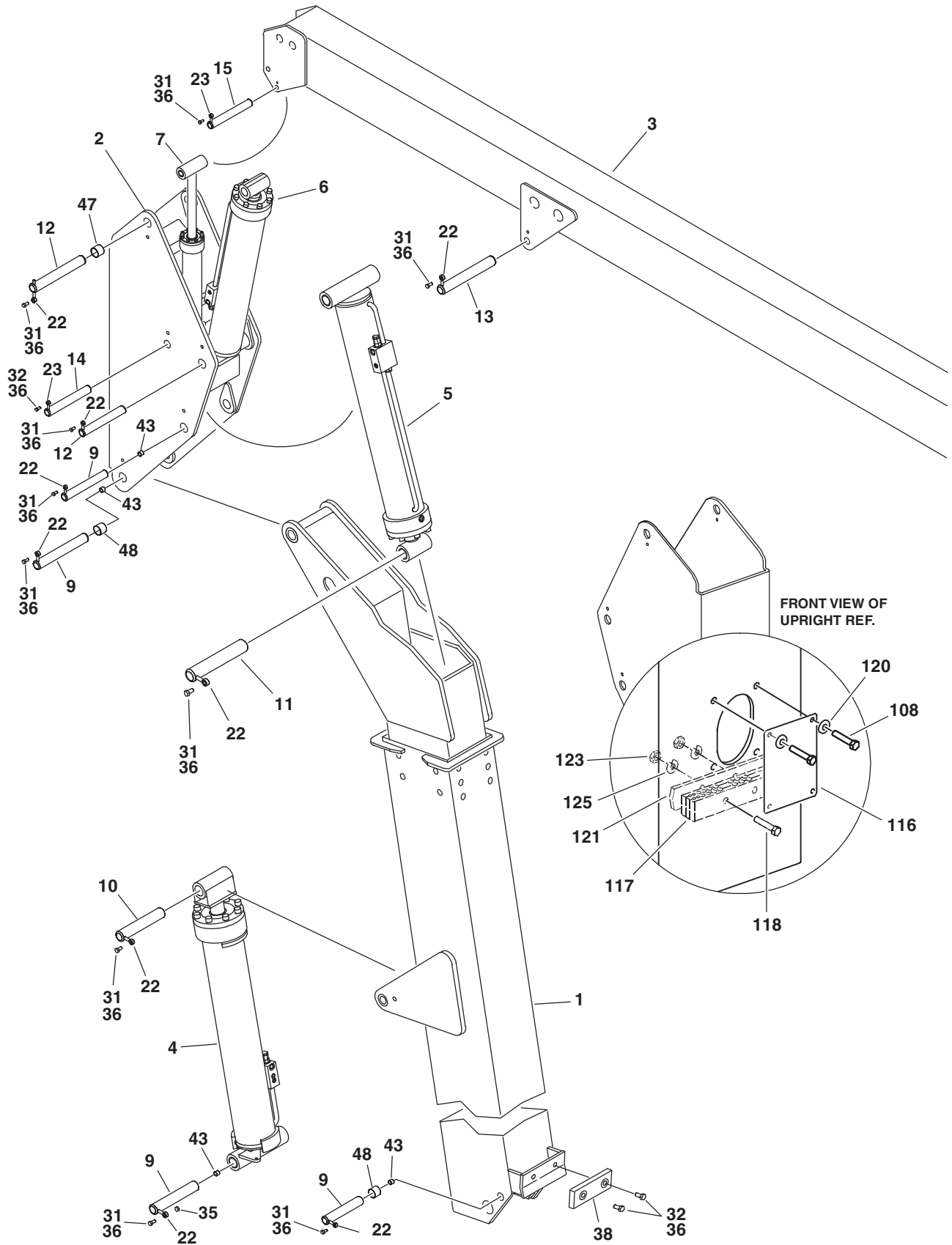
ITEM #	PART NUMBER	QTY.	DESCRIPTION	REV.
118	0641532	2	Bolt 5/16in-18NC x 4in	
119	Not Used			
120	4751400	4	Flatwasher 1/4in Regular	
121	3570374	1	Plate	
122	Not Used			
123	3311505	2	Nut 5/16in-18NC	
124	Not Used			
125	4751500	2	Flatwasher 5/16in Regular	
		Ref.	<b>PLATFORM SUPPORT INSTALLATION</b>	
	0272070	Ref.	<b>Machines without Load Sensing and without SkyGlazier</b>	E
	See Note	Ref.	<b>Machines without Load Sensing and with SkyGlazier (Note: For Replacement Parts, Contact JLG Customer Service and Request Manual p/n 3124242.)</b>	
	See Note	Ref.	<b>Machines with Load Sensing and without SkyGlazier (Note: For Replacement Parts, Contact JLG Customer Service and Request Manual p/n 3124287.)</b>	
	See Note	Ref.	<b>Machines with Load Sensing and with SkyGlazier (Note: For Replacement Parts, Contact JLG Customer Service and Request Manual p/n 3124287.)</b>	
201	0100011	A/R	Compound, Locking	
202	0641812	8	Bolt 1/2in-13NC x 1-1/2in	
203	0642684	1	Bolt 1in-8NC x 10-1/2in	
204	0681608	8	Bolt 3/8in-16NC x 1in	
205	3300243	1	Locknut 1in-8NC (was p/n 3272605)	
206	3311805	8	Locknut 1/2in-13NC	
207	4846573	1	Support Weldment	
208	4891600	8	Flatwasher 3/8in Hardened	
209	4891800	8	Flatwasher 1/2in Hardened	
210	4892600	1	Flatwasher 1in Hardened	

**FIGURE 3-1. USA BUILT MACHINES/BOOMS & CYLINDERS INSTALLATION - 600A**

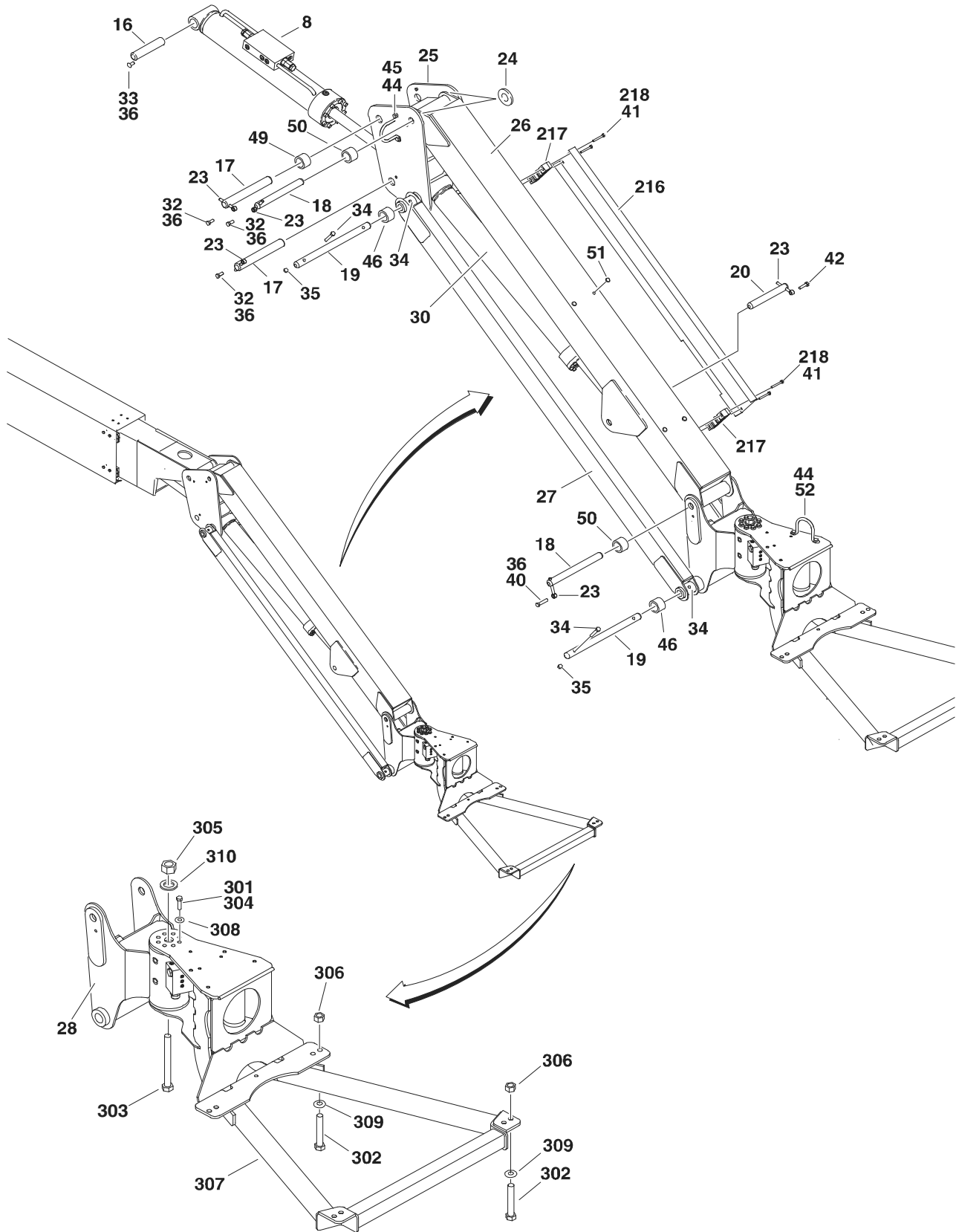
ITEM #	PART NUMBER	QTY.	DESCRIPTION	REV.

# SECTION 3 BOOM

## FIGURE 3-2. USA BUILT MACHINES/BOOMS & CYLINDERS INSTALLATION - 600AJ



# SECTION 3 BOOM



## SECTION 3 BOOM

**FIGURE 3-2. USA BUILT MACHINES/BOOMS & CYLINDERS INSTALLATION - 600AJ**

ITEM #	PART NUMBER	QTY.	DESCRIPTION	REV.
		Ref.	<b>Note: USA Built Machines S/Ns start with "03" Prefix. China Built Machines S/Ns start with "B3" Prefix.</b>	
		Ref.	<b>BOOMS AND CYLINDERS INSTALLATION</b>	
	0272135	Ref.	<b>Machines without Arctic Package</b>	B
	1001138797	Ref.	<b>Machines with Arctic Package</b>	A
1	0801019	1	Tower Boom Assembly (See Figure 3-5 for Breakdown	
2	4846006	1	Upright Weldment	
3	0801025	1	Main Boom Assembly (See Figure 3-6 for Breakdown)	
4	1683288	1	Tower Lift Cylinder Assembly (See Section 5 for Breakdown)	
5		1	Upright Level Cylinder Assembly Options (See Section 5 for Breakdown):	
	Use 1684498	1	USA Built Machines S/N 0300087000 to S/N 0300097638 (was p/n 1683299)	
	1684498	1	USA Built Machines S/N 0300097638 to Present	
6	1683294	1	Main Lift Cylinder Assembly (See Section 5 for Breakdown)	
7		1	Master Cylinder Assembly Options (See Section 5 for Breakdown):	
	1683263		Machines without Arctic Package	
	1001138799		Machines with Arctic Package	
8			Platform Level Cylinder Assembly Options (See Section 5 for Breakdown):	
	1683418		Machines without Arctic Package	
	1001138798		Machines with Arctic Package	
9	3422571	4	Pin	
10	3422573	1	Pin	
11	3422575	1	Pin	
12	3422572	2	Pin	
13		1	Pin Options:	
	3422576		USA Built Machines S/N 0300087000 to S/N 0300115420	
	1001097822		USA Built Machines S/N 0300115420 to Present	
14	3422566	1	Pin	
15	3422579	1	Pin	
16	3422583	1	Pin	
17	3422561	2	Pin	
18	3422860	2	Pin	
19	3422861	2	Pin	
20	3422867	1	Pin	
21	Not Used			
22	3841203	9	Keeper, Pin - 1/2in	
23	3841143	7	Keeper, Pin - 3/8in	
24	4740439	2	Thrustwasher	
25	4844815	1	Pivot Weldment	
26	4844816	1	Tube Weldment - Top	
27	4844817	2	Tube Weldment - Bottom	
28	0060066	1	Rotator Assembly (See Figure 3-7 for Breakdown)	
29	Not Used			

FIGURE 3-2. USA BUILT MACHINES/BOOMS &amp; CYLINDERS INSTALLATION - 600AJ

ITEM #	PART NUMBER	QTY.	DESCRIPTION	REV.
30		1	Jib Lift Cylinder Assembly Options (See Section 5 for Breakdown)	
	1683609		Machines without Arctic Package	
	1001138792		Machines with Arctic Package	
31	0641810	10	Bolt 1/2in-13NC x 1-1/4in	
32	0641607	10	Bolt 3/8in-16NC x 7/8in	
33		1	Screw Options:	
	0741607		Screw, Countersunk 3/8in-16NC x 7/8in	
	0741605		Screw, Countersunk 3/8in-16NC x 5/8in	
34	0641618	4	Bolt 3/8in-16NC x 2-1/4in	
35	3311605	5	Locknut 3/8in-16NC	
36	0100011	A/R	Compound, Locking	
37	Not Used			
38	0561076	1	Block, Boom Rest	
39	Not Used			
40	0641614	1	Bolt 3/8in-16NC x 1-3/4in	
41	2080044	4	Rivnut	
42	0641611	1	Bolt 3/8in-16NC x 1-3/8in	
43	3900239	4	Setscrew	
44	3841340	2	Loop, Hose	
45	0641606	2	Bolt 3/8in-16NC x 3/4in	
46	0961947	6	Bushing, Composite	
47	0961948	2	Bushing, Composite	
48	0961949	4	Bushing, Composite	
49	0961951	2	Bushing, Composite	
50	0962335	4	Bushing, Composite	
51	3520034	4	Plug (S/N 0300111747 to Present)	
52	0641604	2	Bolt 3/8in-16NC x 1/2in	
	0255423	Ref.	<b>POWER TRACK INSTALLATION</b>	14/L
101 to 107	Not Used			
108	0641403	4	Bolt 1/4in-20NC x 3/8in	
109 to 115	Not Used			
116	3539779	1	Plate, Cover	
117	1320243	1	Clamp, Block	
118	0641532	2	Bolt 5/16in-18NC x 4in	
119	Not Used			
120	4751400	4	Flatwasher 1/4in Regular	
121	3570374	1	Plate	
122	Not Used			
123	3311505	2	Nut 5/16in-18NC	
124	Not Used			
125	4751500	2	Flatwasher 5/16in Regular	



## SECTION 3 BOOM

**FIGURE 3-2. USA BUILT MACHINES/BOOMS & CYLINDERS INSTALLATION - 600AJ**

ITEM #	PART NUMBER	QTY.	DESCRIPTION	REV.
		Ref.	<b>CABLE COVER INSTALLATION (600AJ ONLY)</b>	
	0270820	Ref.	<b>ANSI, ANSI Export, Brazilian, Japanese Specs without 7500W Generator</b>	6
	0272625	Ref.	<b>ANSI &amp; ANSI Export Specs with 7500W Generator</b>	2
	0275140	Ref.	<b>ANSI &amp; ANSI Export Specs with Arctic Package without 7500W Generator</b>	1
	1001093432	Ref.	<b>ANSI &amp; ANSI Export Specs with Arctic Package with 7500W Generator</b>	2
	0273428	Ref.	<b>Australian &amp; Latin American Specs without 7500W Generator</b>	2
	0273430	Ref.	<b>Australian &amp; Latin American Specs with 7500W Generator</b>	2
	0270821	Ref.	<b>CE Spec without 7500W Generator</b>	7
	0272627	Ref.	<b>CE Spec with 7500W Generator</b>	2
201to 215	Not Used			
216	1670769	1	Cover	
217		2	Clamp, Block Options: All Installations except 1001093432 1001093432 Installation Only	
	0561237			
	1321700			
218	0641416	4	Bolt 1/4in-20NC x 2in	
		Ref.	<b>PLATFORM SUPPORT INSTALLATION</b>	
	0272070	Ref.	<b>Machines without Load Sensing and without SkyGlazier</b>	E
	See Note	Ref.	<b>Machines without Load Sensing and with SkyGlazier (Note: For Replacement Parts, Contact JLG Customer Service and Request Manual p/n 3124242.)</b>	
	See Note	Ref.	<b>Machines with Load Sensing and without SkyGlazier (Note: For Replacement Parts, Contact JLG Customer Service and Request Manual p/n 3124287.)</b>	
	See Note	Ref.	<b>Machines with Load Sensing and with SkyGlazier (Note: For Replacement Parts, Contact JLG Customer Service and Request Manual p/n 3124287.)</b>	
301	0100011	A/R	Compound, Locking	
302	0641812	8	Bolt 1/2in-13NC x 1-1/2in	
303	0642684	1	Bolt 1in-8NC x 10-1/2in	
304	0681608	8	Bolt 3/8in-16NC x 1in	
305	3300243	1	Locknut 1in-8NC (was p/n 3272605)	
306	3311805	8	Locknut 1/2in-13NC	
307		1	Support Weldment Options: Machines without Load Sensing and without SkyGlazier Machines without Load Sensing and with SkyGlazier (Note: Refer to JLG Supplement p/n 3124242 for Components.) Machines with Load Sensing and without SkyGlazier (Note: Refer to JLG Supplement p/n 3124287 for Components) Machines with Load Sensing and with SkyGlazier (Note: Refer to JLG Supplement p/n 3124287 for Components)	
	4846573			
	See Note			
	See Note			
	See Note			
308	4891600	8	Flatwasher 3/8in Hardened	
309	4891800	8	Flatwasher 1/2in Hardened	
310	4892600	1	Flatwasher 1in Hardened	

**FIGURE 3-2. USA BUILT MACHINES/BOOMS & CYLINDERS INSTALLATION - 600AJ**

ITEM #	PART NUMBER	QTY.	DESCRIPTION	REV.

# SECTION 3 BOOM

FIGURE 3-3. CHINA BUILT MACHINES/BOOMS & CYLINDERS INSTALLATION - 600A

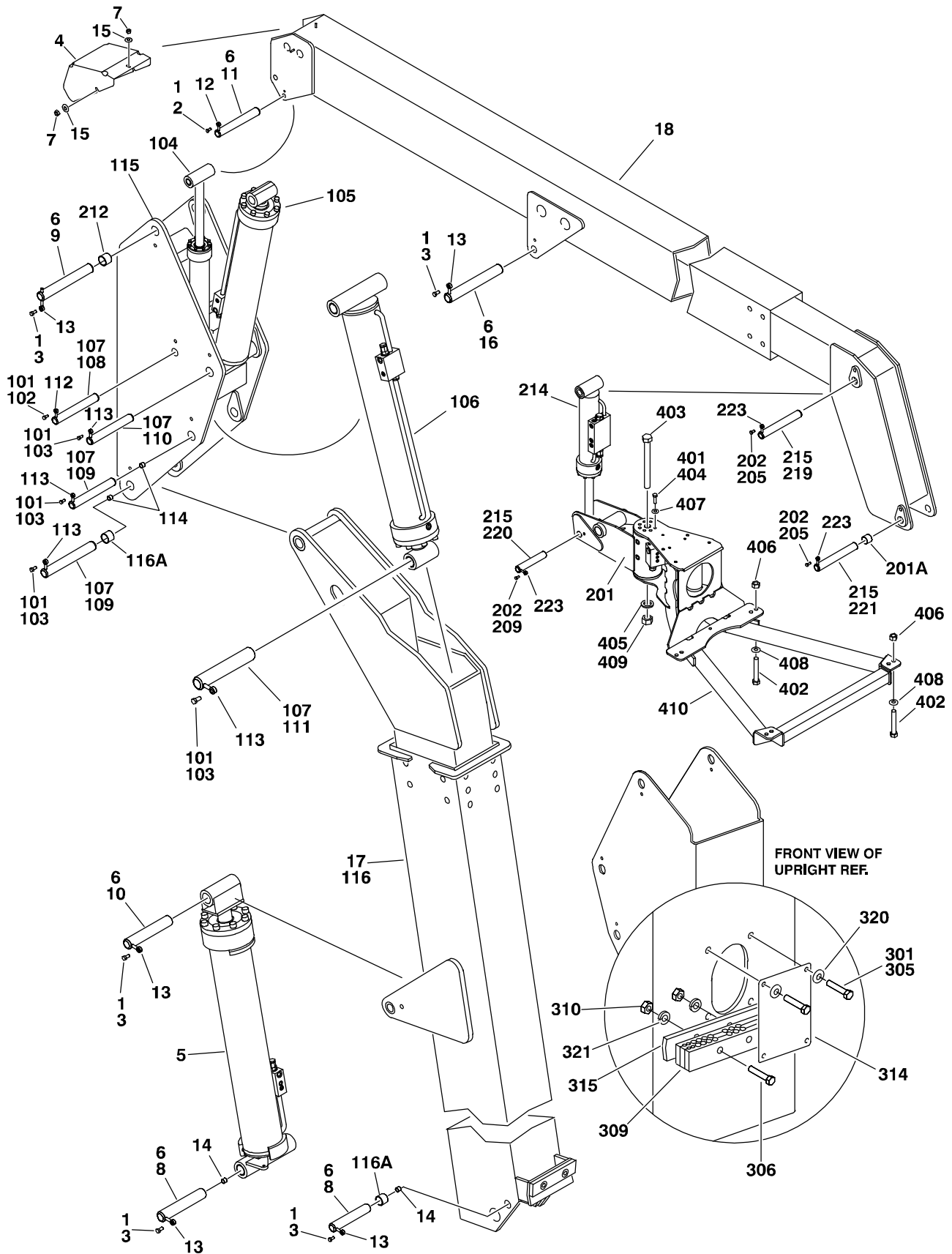


FIGURE 3-3. CHINA BUILT MACHINES/BOOMS &amp; CYLINDERS INSTALLATION - 600A

ITEM #	PART NUMBER	QTY.	DESCRIPTION	REV.
		Ref.	<b>Note: USA Built Machines S/Ns start with "03" Prefix. China Built Machines S/Ns start with "B3" Prefix.</b>	
	1001115555	Ref.	<b>BOOMS AND CYLINDERS INSTALLATION</b>	A
1	0100011	A/R	Compound, Locking	
2	0641607	1	Bolt 3/8in-16NC x 7/8in	
3	0641810	5	Bolt 1/2in-13NC x 1-1/4in	
4	1670768	1	Cover, Boom End	
5	1683288	1	Tower Lift Cylinder Assembly (See Section 5 for Breakdown)	
6	3020039	A/R	Lubricant	
7	3311401	3	Nut 1/4in-20NC	
8	3422571	2	Pin	
9	3422572	1	Pin	
10	3422573	1	Pin	
11	3422577	1	Pin	
12	3841143	5	Keeper, Pin 3/8in OD	
13	3841203	2	Keeper, Pin 1/2in OD	
14	3900239	4	Setscrew	
15	4751400	4	Flatwasher 1/4in Regular	
16	1001097822	1	Pin	
17	1001115552	1	Tower Boom Sub-Assembly (See Items 101-116 for Breakdown)	
18	1001115554	1	Main Boom Assembly (See Items 301-319 and Figure 3-6 for Breakdown)	
	1001115552	Ref.	<b>TOWER BOOM SUB-ASSEMBLY</b>	A
101	0100011	A/R	Compound, Locking	
102	0641607	1	Bolt 3/8in-16NC x 7/8in	
103	0641810	5	Bolt 1/2in-13NC x 1-1/4in	
104	1683266	1	Master Cylinder Assembly (See Section 5 for Breakdown)	
105	1683294	1	Main Lift Cylinder Assembly (See Section 5 for Breakdown)	
106	1684498	1	Upright Level Cylinder Assembly (See Section 5 for Breakdown)	
107	3020039	A/R	Lubricant	
108	3422566	1	Pin	
109	3422571	2	Pin	
110	3422572	1	Pin	
111	3422575	1	Pin	
112	3841143	1	Keeper, Pin 3/8in OD	
113	3841203	4	Keeper, Pin 1/2in OD	
114	3900239	2	Setscrew	
115	1001113778	1	Upright Weldment	
116	1001115553	1	Tower Boom Assembly (See Figure 3-5 for Breakdown)	
116A	0961949	4	Bushing, Composite	
	1001115554	Ref.	<b>MAIN BOOM COMPONENTS</b>	A
201	0060068	1	Rotator Assembly (See Figure 3-7 for Breakdown)	
201A	0961951	2	Bushing, Composite	

## SECTION 3 BOOM

**FIGURE 3-3. CHINA BUILT MACHINES/BOOMS & CYLINDERS INSTALLATION - 600A**

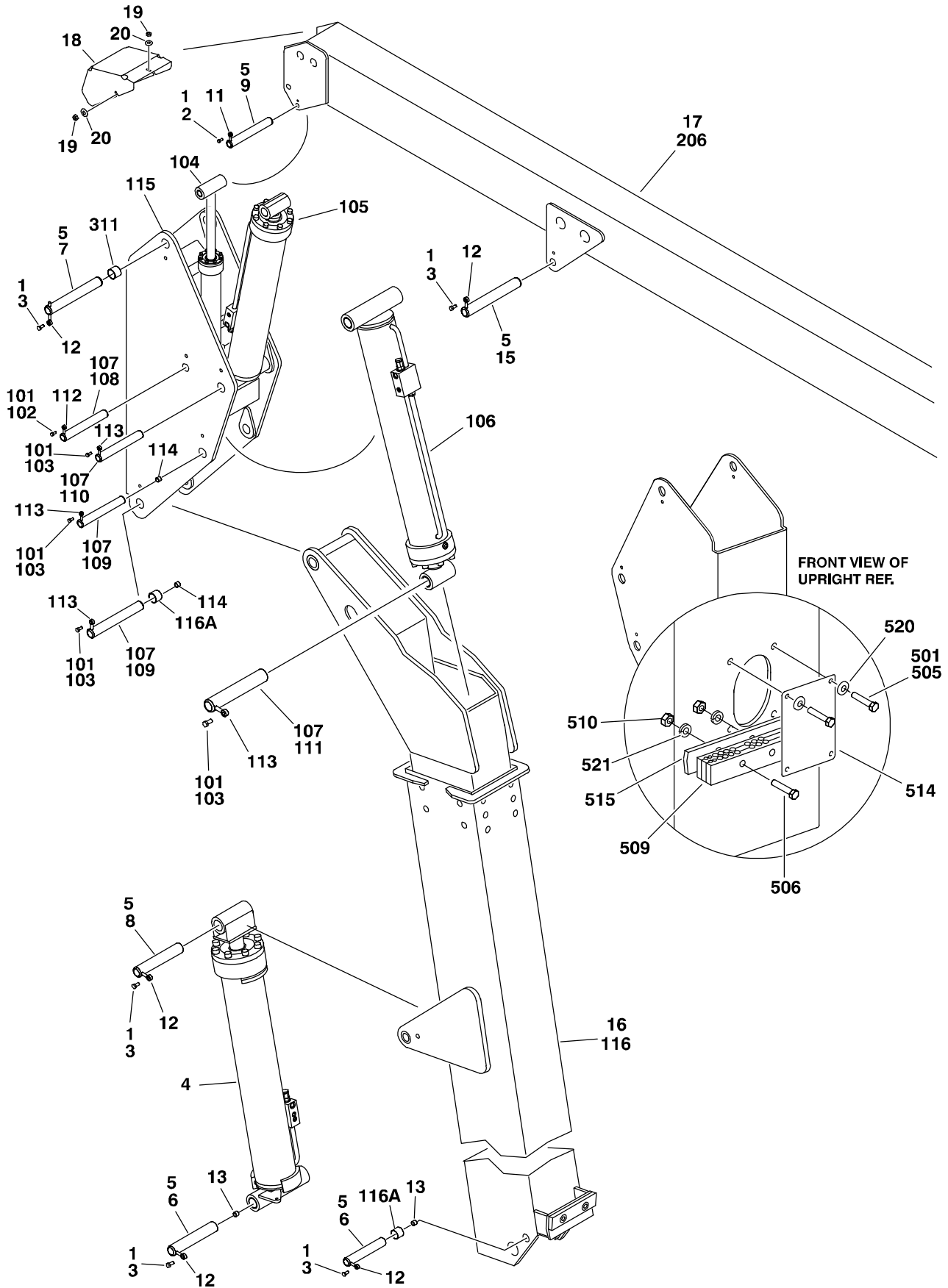
ITEM #	PART NUMBER	QTY.	DESCRIPTION	REV.
202	0100011	A/R	Compound, Locking	
203 to 204	Not Used			
205	0641607	2	Bolt 3/8in-16NC x 7/8in	
206 to 208	Not Used			
209	0741606	2	Screw, Countersunk 3/8in-16NC x 3/4in	
210 to 211	Not Used			
212	0961948	2	Bushing, Composite	
213	Not Used			
214	1683415	1	Platform Slave Level Cylinder Assembly (See Section 5 for Breakdown)	
215	3020039	A/R	Lubricant	
216 to 218	Not Used			
219	3422578	1	Pin	
220	3422580	1	Pin	
221	3422582	1	Pin	
222	Not Used			
223	3841143	2	Keeper, Pin 3/8in	
	1001115217	Ref.	<b>POWER TRACK INSTALLATION</b>	B
301	0100011	A/R	Compound, Locking	
302 to 304	Not Used			
305	0641403	4	Bolt 1/4in-20NC x 3/8in	
306	0641532	2	Bolt 5/16in-18NC x 4in	
307 to 308	Not Used			
309	1320243	1	Clamp, Block	
310	3311505	2	Locknut 5/16in-18NC	
311 to 313	Not Used			
314	3539779	1	Plate, Cover	
315	3570374	1	Plate	
316 to 319	Not Used			
320	4751400	4	Flatwasher 1/4in Regular	
321	4751500	4	Flatwasher 5/16in Regular	
		Ref.	<b>PLATFORM SUPPORT INSTALLATION</b>	
	1001115098	Ref.	<b>Machines without Load Sensing and without SkyGlazier</b>	A
	See Note	Ref.	<b>Machines without Load Sensing and with SkyGlazier (Note: Refer to JLG Supplement p/n 3124242 for Components.)</b>	
	See Note	Ref.	<b>Machines with Load Sensing and without SkyGlazier (Note: Refer to JLG Supplement p/n 3124287 for Components)</b>	
	See Note	Ref.	<b>Machines with Load Sensing and with SkyGlazier (Note: Refer to JLG Supplement p/n 3124287 for Components)</b>	
401	0100011	A/R	Compound, Locking	
402	0641812	8	Bolt 1/2in-13NC x 1-1/2in	
403	0642684	1	Bolt 1in-8NC x 10-1/2in	
404	0681608	8	Bolt 3/8in-16NC x 1in	
405	3300243	1	Locknut 1in-8NC (was p/n 3272605)	
406	3311805	8	Locknut 1/2in-13NC	
407	4891600	8	Flatwasher 3/8in Hardened	

**FIGURE 3-3. CHINA BUILT MACHINES/BOOMS & CYLINDERS INSTALLATION - 600A**

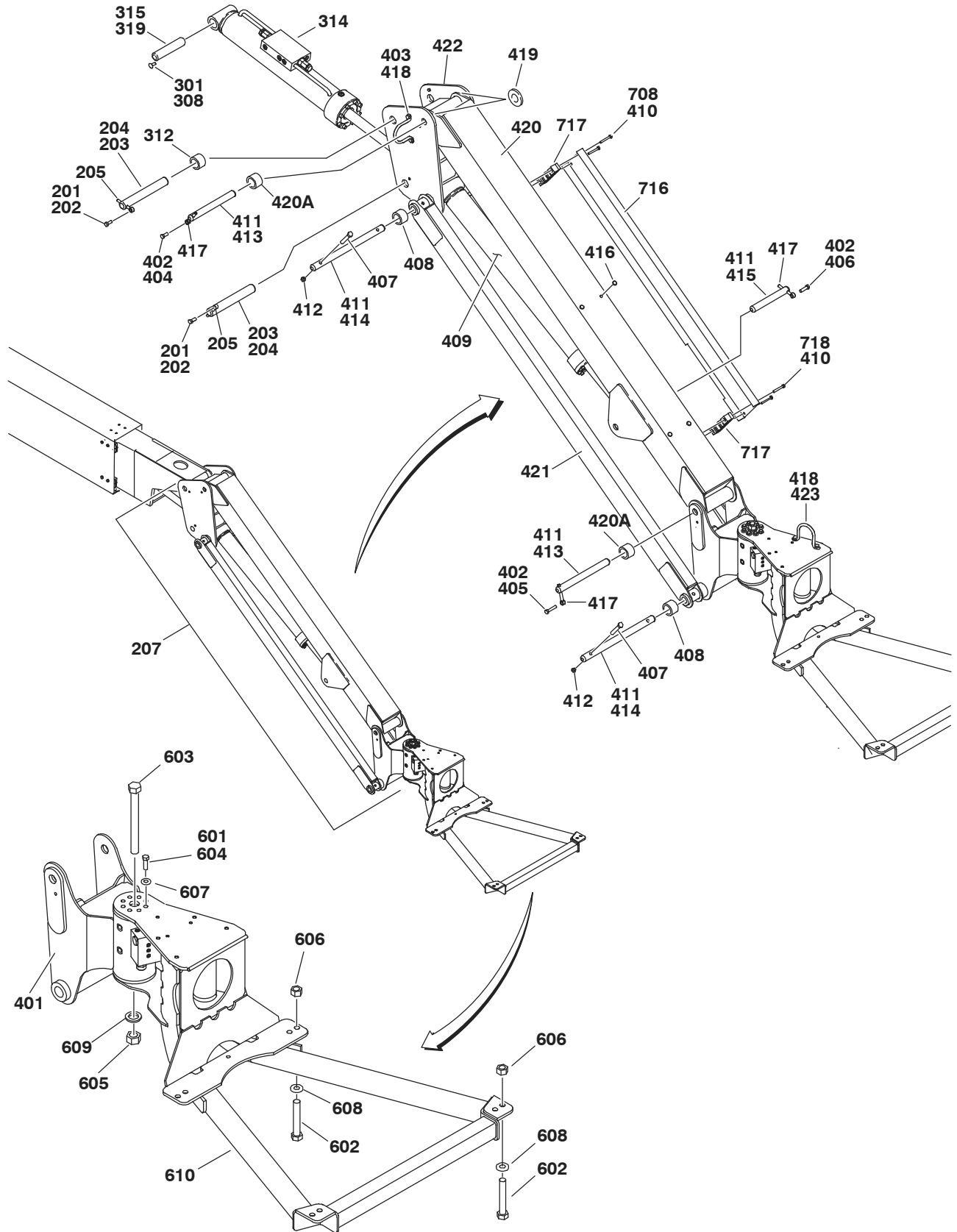
ITEM #	PART NUMBER	QTY.	DESCRIPTION	REV.
408	4891800	8	Flatwasher 1/2in Hardened	
409	4892600	1	Flatwasher 1in Hardened	
410	1001113465	1	Support Weldment	

# SECTION 3 BOOM

FIGURE 3-4. CHINA BUILT MACHINES/BOOMS & CYLINDERS INSTALLATION - 600AJ



# SECTION 3 BOOM





## SECTION 3 BOOM

**FIGURE 3-4. CHINA BUILT MACHINES/BOOMS & CYLINDERS INSTALLATION - 600AJ**

ITEM #	PART NUMBER	QTY.	DESCRIPTION	REV.
		Ref.	<b>Note: USA Built Machines S/Ns start with "03" Prefix. China Built Machines S/Ns start with "B3" Prefix.</b>	
	100115339	Ref.	<b>BOOMS AND CYLINDERS INSTALLATION</b>	A
1	0100011	A/R	Compound, Locking	
2	0641607	1	Bolt 3/8in-16NC x 7/8in	
3	0641810	5	Bolt 1/2in-13NC x 1-1/4in	
4	1683288	1	Tower Lift Cylinder Assembly (See Section 5 for Breakdown)	
5	3020039	A/R	Lubricant	
6	3422571	2	Pin	
7	3422572	1	Pin	
8	3422573	1	Pin	
9	3422579	1	Pin	
10	3790012	1	O-Ring (Not Shown - Located on Platform Console Box)	
11	3841143	5	Keeper, Pin 3/8in OD	
12	3841203	2	Keeper, Pin 1/2in OD	
13	3900239	4	Setscrew	
14	4360328	1	Switch, Toggle (Not Shown - Located on Platform Console Box)	
15	1001097822	1	Pin	
16	100115335	1	Tower Boom Sub-Assembly (See Items 101-116 for Breakdown)	
17	100115336	1	Main Boom Sub-Assembly (See Items 201-207 for Breakdown)	
18	1670768	1	Cover, Boom End	
19	3311401	3	Nut 1/4in-20NC	
20	4751400	4	Flatwasher 1/4in Regular	
	100115335	Ref.	<b>TOWER BOOM SUB-ASSEMBLY</b>	A
101	0100011	A/R	Compound, Locking	
102	0641607	1	Bolt 3/8in-16NC x 7/8in	
103	0641810	4	Bolt 1/2in-13NC x 1-1/4in	
104	1683263	1	Master Cylinder Assembly (See Section 5 for Breakdown)	
105	1683294	1	Main Lift Cylinder Assembly (See Section 5 for Breakdown)	
106	1684498	1	Upright Level Cylinder Assembly (See Section 5 for Breakdown)	
107	3020039	A/R	Lubricant	
108	3422566	1	Pin	
109	3422571	2	Pin	
110	3422572	1	Pin	
111	3422575	1	Pin	
112	3841143	1	Keeper, Pin 3/8in OD	
113	3841203	4	Keeper, Pin 1/2in OD	
114	3900239	2	Setscrew	
115	100114557	1	Upright Weldment	
116	100115334	1	Tower Boom Assembly (See Figure 3-5 for Breakdown)	
116A	0961949	4	Bushing, Composite	

## SECTION 3 BOOM

**FIGURE 3-4. CHINA BUILT MACHINES/BOOMS & CYLINDERS INSTALLATION - 600AJ**

ITEM #	PART NUMBER	QTY.	DESCRIPTION	REV.
	1001115336	Ref.	<b>MAIN BOOM SUB-ASSEMBLY</b>	A
201	0100011	A/R	Compound, Locking	
202	0641607	2	Bolt 3/8in-16NC x 7/8in	
203	3020039	A/R	Lubricant	
204	3422561	2	Pin	
205	3841143	2	Keeper, Pin 3/8in OD	
206	1001115337	1	Main Boom Assembly (See Items 301-319 and Figure 3-6 for Breakdown)	
207	1001115338	1	Jib Assembly (See Items 401-422 for Breakdown)	
	1001115337	Ref.	<b>MAIN BOOM COMPONENTS</b>	D
301	0100011	A/R	Compound, Locking	
301 to 307	Not Used			
308	0741605	1	Screw, Countersunk 3/8in-16NC x 5/8in	
309 to 310	Not Used			
311	0961948	2	Bushing, Composite	
312	0961951	2	Bushing, Composite	
313	Not Used			
314	1683418	1	Platform Slave Level Cylinder Assembly (See Section 5 for Breakdown)	
315	3020039	A/R	Lubricant	
316 to 318	Not Used			
319	3422583	1	Pin	
	1001115338	Ref.	<b>JIB ASSEMBLY</b>	B
401	0060066	1	Rotator Assembly (See Figure 3-7 for Breakdown)	
402	0100011	A/R	Compound, Locking	
403	0641606	2	Bolt 3/8in-16NC x 3/4in	
404	0641607	1	Bolt 3/8in-16NC x 7/8in	
405	0641609	1	Bolt 3/8in-16NC x 1-1/8in	
406	0641611	1	Bolt 3/8in-16NC x 1-3/8in	
407	0641618	4	Bolt 3/8in-16NC x 2-1/4in	
408	0961947	6	Bushing, Composite	
409	1683609	1	Jib Lift Cylinder Assembly (See Section 5 for Breakdown)	
410	2080044	4	Rivnut	
411	3020039	A/R	Lubricant	
412	3311605	5	Locknut 3/8in-16NC	
413	3422860	2	Pin	
414	3422861	2	Pin	
415	3422867	1	Pin	
416	3520034	4	Plug	
417	3841143	3	Keeper, Pin 3/8in	
418	3841340	2	Loop, Hose	
419	4740439	2	Thrustwasher	
420	1001113386	1	Tube Weldment - Top	
420A	0962335	4	Bushing, Composite	
421	1001113407	2	Tube Weldment - Bottom	

## SECTION 3 BOOM

**FIGURE 3-4. CHINA BUILT MACHINES/BOOMS & CYLINDERS INSTALLATION - 600AJ**

ITEM #	PART NUMBER	QTY.	DESCRIPTION	REV.
422	1001113423	1	Support, Jib	
423	0641604	2	Bolt 3/8in-16NC x 1/2in	
	1001115217	Ref.	<b>POWER TRACK INSTALLATION</b>	B
501	0100011	A/R	Compound, Locking	
502 to 504	Not Used			
505	0641403	4	Bolt 1/4in-20NC x 3/8in	
506	0641532	2	Bolt 5/16in-18NC x 4in	
507 to 508	Not Used			
509	1320243	1	Clamp, Block	
510	3311505	2	Locknut 5/16in-18NC	
511 to 513	Not Used			
514	3539779	1	Plate, Cover	
515	3570374	1	Plate	
516 to 519	Not Used			
520	4751400	4	Flatwasher 1/4in Regular	
521	4751500	4	Flatwasher 5/16in Regular	
		Ref.	<b>PLATFORM SUPPORT INSTALLATION</b>	
	1001115098	Ref.	<b>Machines without Load Sensing and without SkyGlazier</b>	A
	See Note	Ref.	<b>Machines without Load Sensing and with SkyGlazier (Note: Refer to JLG Supplement p/n 3124242 for Components.)</b>	
	See Note	Ref.	<b>Machines with Load Sensing and without SkyGlazier (Note: Refer to JLG Supplement p/n 3124287 for Components)</b>	
	See Note	Ref.	<b>Machines with Load Sensing and with SkyGlazier (Note: Refer to JLG Supplement p/n 3124287 for Components)</b>	
601	0100011	A/R	Compound, Locking	
602	0641812	8	Bolt 1/2in-13NC x 1 1/2in	
603	0642684	1	Bolt 1in-8NC x 10 1/2in	
604	0681608	8	Bolt 3/8in-16NC x 1in	
605	3300243	1	Locknut 1in-8NC (was p/n 3272605)	
606	3311805	8	Locknut 1/2in-13NC	
607	4891600	8	Flatwasher 3/8in Hardened	
608	4891800	8	Flatwasher 1/2in Hardened	
609	4892600	1	Flatwasher 1in Hardened	
610	1001113465	1	Support Weldment	
		Ref.	<b>CABLE COVER INSTALLATION (600AJ ONLY)</b>	
	0270820	Ref.	<b>ANSI, ANSI Export &amp; Japanese Specs without 7500W Generator</b>	6
	0272625	Ref.	<b>ANSI, ANSI Export &amp; Japanese Specs with 7500W Generator</b>	2
	0275140	Ref.	<b>ANSI &amp; ANSI Export Specs with Arctic Package without 7500W Generator</b>	1
	1001093432	Ref.	<b>ANSI &amp; ANSI Export Specs with Arctic Package with 7500W Generator</b>	2
	0273428	Ref.	<b>Australian Specs without 7500W Generator</b>	2
	0273430	Ref.	<b>Australian Specs with 7500W Generator</b>	2

**SECTION 3 BOOM**

**FIGURE 3-4. CHINA BUILT MACHINES/BOOMS & CYLINDERS INSTALLATION - 600AJ**

ITEM #	PART NUMBER	QTY.	DESCRIPTION	REV.
701to 715	Not Used			
716	1670769	1	Cover	
717		2	Clamp, Block Options:	
	0561237		All Installations except 1001093432	
	1321700		1001093432 Installation Only	
718	0641416	4	Bolt 1/4in-20NC x 2in	

# SECTION 3 BOOM

## FIGURE 3-5. TOWER BOOM ASSEMBLY

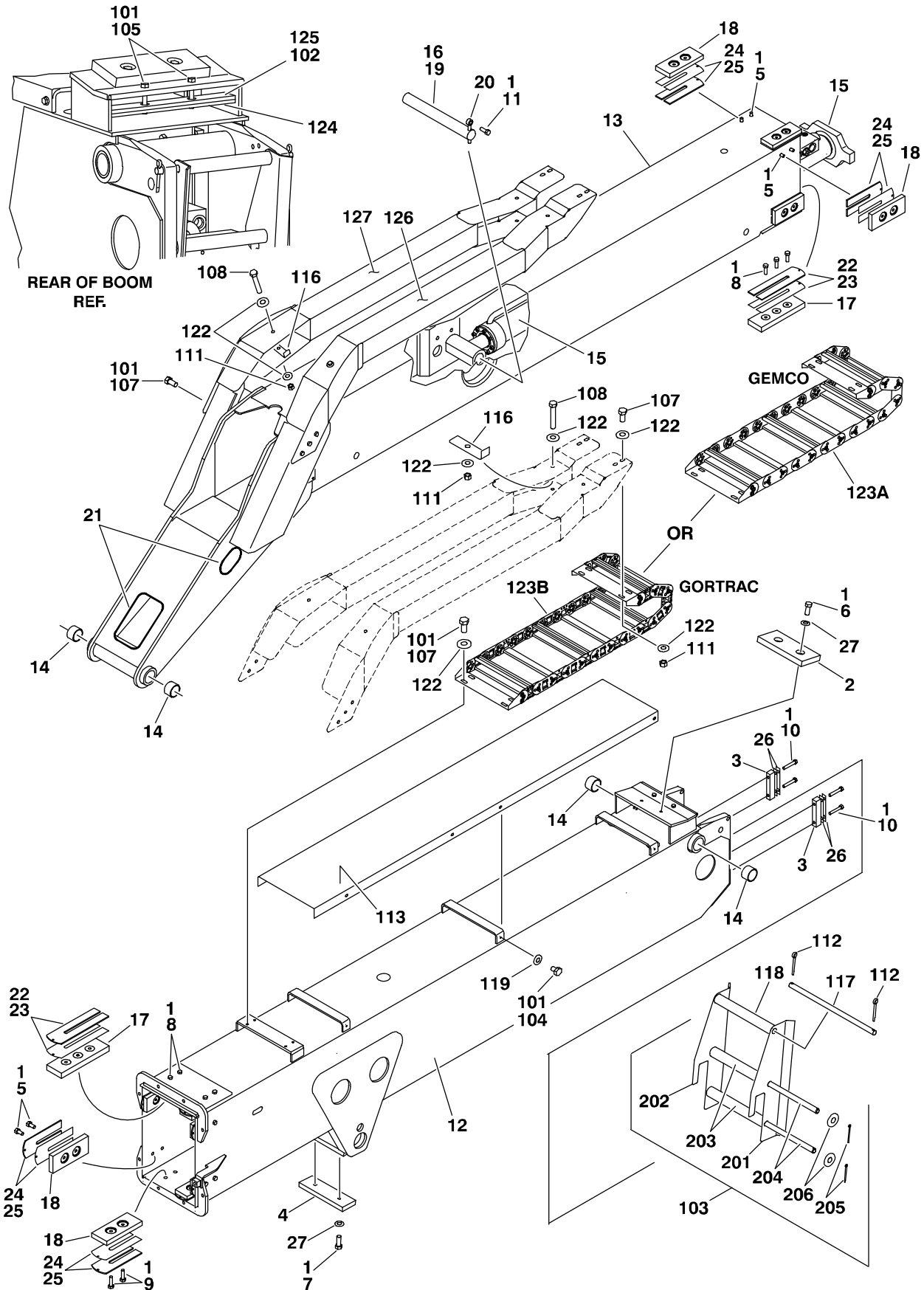


FIGURE 3-5. TOWER BOOM ASSEMBLY

ITEM #	PART NUMBER	QTY.	DESCRIPTION	REV.
		Ref.	<b>TOWER BOOM ASSEMBLY</b>	
	0801019	Ref.	<b>USA Built 600A</b>	12/I
	0801019	Ref.	<b>USA Built 600AJ</b>	12/I
	1001115553	Ref.	<b>China Built 600A</b>	C
	1001115334	Ref.	<b>China Built 600AJ</b>	C
1	0100011	A/R	Compound, Locking	
2	0561076	1	Block, Boom Rest	
3	0561185	2	Block, Attach	
4	0561248	1	Block, Boom Rest	
5		26	Bolt 3/8in-16NC x 3/4in	
	0641606		USA Built Machines (Standard Hex Head Grade 5)	
	0811606		China Built Machines (Flange Head Grade 8)	
6	0641607	1	Bolt 3/8in-16NC x 7/8in	
7	0641608	6	Bolt 3/8in-16NC x 1in	
8	0641609	12	Bolt 3/8in-16NC x 1-1/8in	
9		4	Bolt 3/8in-16NC x 1-1/4in	
	0641610		USA Built Machines (Standard Hex Head Grade 5)	
	0811610		China Built Machines (Flange Head Grade 8)	
10	0641618	4	Bolt 3/8in-16NC x 2-1/4in	
11	0641810	1	Bolt 3/8in-16NC x 1-1/4in	
12		1	Base Weldment	
	Use 0801622		USA Built Machines S/N 0300087000 to S/N 0300106296 (was p/n 0801085)	
	0801622		USA Built Machines S/N 0300106296 to Present	
	Use 0801622		China Built Machines S/N B300000100 to Present (was p/n 1001126100)	
13		1	Fly Weldment Options:	
	Use 0801637		USA Built Machines S/N 0300087000 to S/N 0300105942 (was p/n 0801021)	
	0801637		USA Built Machines S/N 0300105942 to Present	
	Use 0801637		China Built Machines S/N B300000100 to Present (was p/n 1001126102)	
14	0961949	4	Bushing, Garmax (Note: No longer part of Base/Fly Weldments - Must be purchased separately)	
15	1683312	1	Cylinder Assembly - Tower Telescope (See Section 5 for Breakdown)	
16	3020039	A/R	Lubricant (China Built Machines Only)	
17	3340871	4	Pad, Wear	
18	3340881	12	Pad, Wear	
19	3422575	1	Pin	
20	3841203	1	Keeper, Pin	
21	4060808	A/R	Flex-Trim	
22	4070863	A/R	Shim .12	
23	4070864	A/R	Shim .05	
24	4070897	A/R	Shim .05	
25	4070898	A/R	Shim .12	
26	4070929	A/R	Shim	
27	4711600	2	Flatwasher 3/8in Thin	

## SECTION 3 BOOM

**FIGURE 3-5. TOWER BOOM ASSEMBLY (CONTINUED)**

ITEM #	PART NUMBER	QTY.	DESCRIPTION	REV.
		Ref.	<b>POWER TRACK INSTALLATION</b>	
	0255423	Ref.	<b>USA Built Machines</b>	14/L
	1001115217	Ref.	<b>China Built Machines</b>	B
101	0100011	A/R	Compound, Locking	
102	0100081	A/R	Adhesive (Used with Item 125)	
103	0257573	1	Roller Hanger Assembly (Includes Items 201-205)	
104	0641403	10	Bolt 1/4in-20NC x 3/8in	
105	0641516	2	Bolt 5/16in-18NC x 2in	
106	Not Used			
107		14	Bolt 3/8in-16NC Options: Bolt 3/8in-16NC x 3/4in Bolt 3/8in-16NC x 7/8in Bolt 3/8in-16NC x 2-1/4in	
	0641606			
	0641607			
108	0641618	2	Bolt 3/8in-16NC x 2-1/4in	
109 to 110	Not Used			
111	3311605	8	Locknut 3/8in-16NC	
112	3450606	2	Pin, Cotter	
113	3539228	1	Plate, Cover	
114 to 115	Not Used			
116	3570375	A/R	Plate	
117	3841295	1	Rod	
118	4567241	1	Tube	
119	4711400	6	Flatwasher 1/4in Thin	
120 to 121	Not Used			
122	4751600	14	Flatwasher 3/8in Regular	
123		1	Power Track Assembly Options:	
		Ref.	<b>Note: Various Power Tracks use on this model. Identify brand before ordering parts.</b>	
123A	Use 1001099835		Gemco Brand Power Track (was p/n 1180339)	
	7016502	A/R	1Ft. Repair Section (Includes 10 Link Pin, 4 Radius Links, 4 Carrier Links, 1 Carrier Weldment, 10 Slugs & 20 Bearing Plates)	
	7016510	2 Pair	Feet, Mounting	
	7006152	A/R	Pin Kit (Includes 1 pin, 1 Retaining Ring & 4 Washers)	
123B	1001099835		Gortrac Brand Power Track	
	70002001	A/R	Repair Section - 1 Section	
	70002002	1	Mounting Bracket Kit	
124		1	Plate, Hose Clamp Options: USA Built Machines S/N 0300087000 to S/N 0300136937 USA Built Machines S/N 0300136937 to Present China Built Machines	
	3539236			
	10001110500			
	10001110500			
125		1	Clamp, Hose (Rubber) Options: USA Built Machines S/N 0300087000 to S/N 0300136937 USA Built Machines S/N 0300136937 to Present China Built Machines	
	Not Required			
	10001110501			
	10001110501			
126		1	Tube Weldment (Left Side) Options: USA Built Machines China Built Machines	
	4844983			
	10001115080			

FIGURE 3-5. TOWER BOOM ASSEMBLY (CONTINUED)

ITEM #	PART NUMBER	QTY.	DESCRIPTION	REV.
127	4844984 10001115081	1	Tube Weldment (Right Side) Options; USA Built Machines China Built Machines	
	0257573	Ref.	<b>ROLLER HANGER ASSEMBLY</b>	1/A
201	3570277	1	Plate (Left Side)	
202	3570270	1	Plate (Right Side)	
203	4567241	2	Roller, Tube	
204	3841347	2	Rod	
205	3450306	4	Pin, Cotter	
206	4751800	4	Flatwasher 1/2in Regular	



# SECTION 3 BOOM

## FIGURE 3-6. MAIN BOOM ASSEMBLY

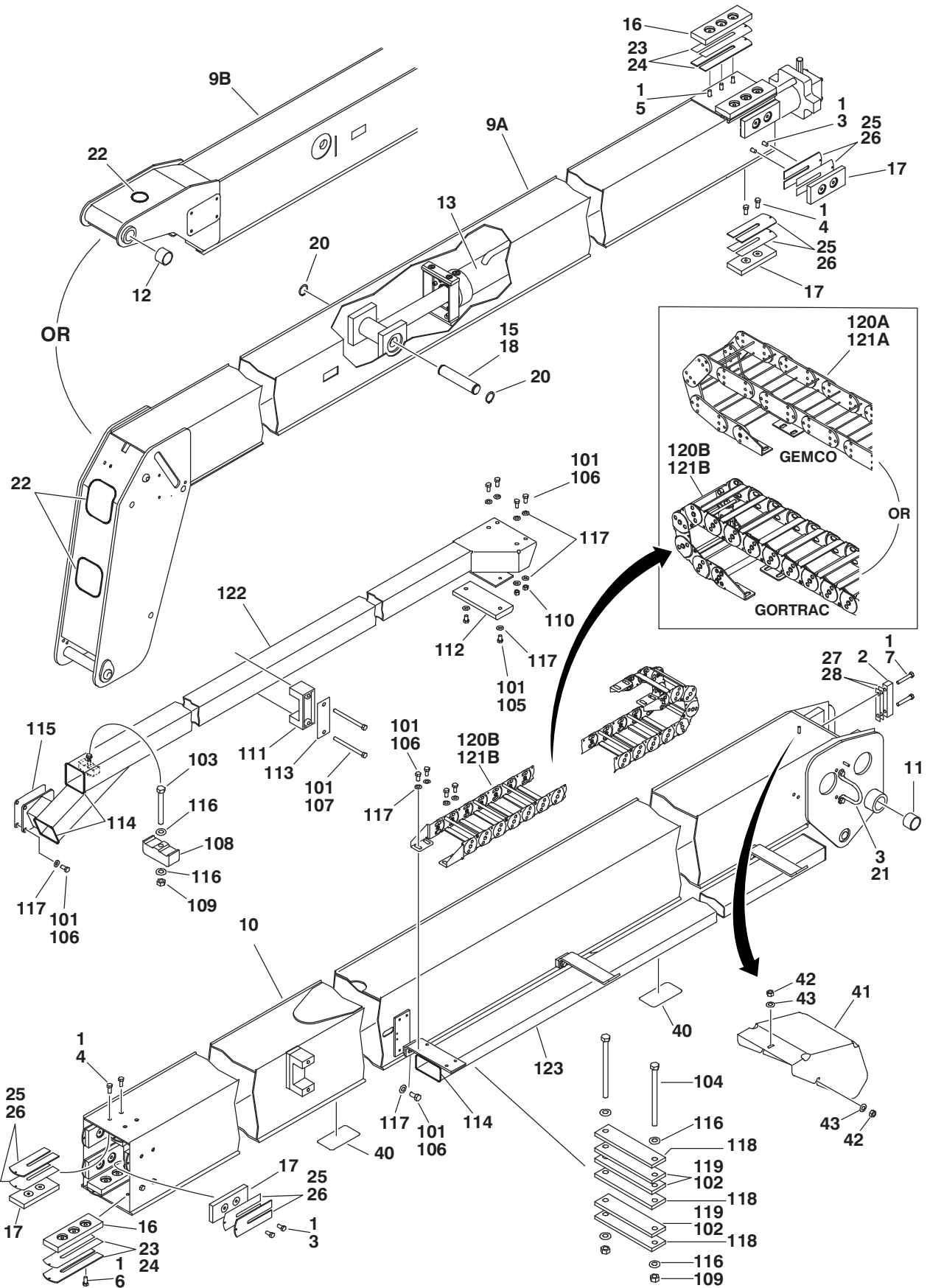


FIGURE 3-6. MAIN BOOM ASSEMBLY

ITEM #	PART NUMBER	QTY.	DESCRIPTION	REV.
		Ref.	<b>BOOM ASSEMBLY</b>	
	0801022	Ref.	<b>600A USA Built Machines</b>	J
	1001115554	Ref.	<b>600A China Built Machines</b>	C
	0801025	Ref.	<b>600AJ USA Built Machines</b>	H
	1001115337	Ref.	<b>600AJ China Built Machines</b>	D
1	0100011	A/R	Compound, Locking	
2	0561185	2	Block	
3		A/R	Bolt 3/8in-16NC x 3/4in Options:	
	0641606	18	USA Built Machines (Standard Hex Head Grade 5)	
	0641606	2	China Built Machines (Standard Hex Head Grade 5) <b>(Note: Use with Item 21)</b>	
	0811606	16	China Built Machines (Flange Head Grade 8) <b>(Note: Use with Boom Wear Pads)</b>	
4		8	Bolt 3/8in-16NC x 7/8in Options:	
	0641607		USA Built Machines (Standard Hex Head Grade 5)	
	0811607		China Built Machines (Flange Head Grade 8)	
5		6	Bolt 3/8in-16NC x 1in Options:	
	0641608		USA Built Machines (Standard Hex Head Grade 5)	
	0811608		China Built Machines (Flange Head Grade 8)	
6		6	Bolt 3/8in-16NC x 1-1/4in Options:	
	0641610		USA Built Machines (Standard Hex Head Grade 5)	
	0811610		China Built Machines (Flange Head Grade 8)	
7	0641618	4	Bolt 3/8in-16NC x 2-1/4in	
8	Not Used			
9		1	Fly Weldment Options:	
9A	0801228		600A USA Built Machines	
	Use 0801228		600A China Built Machines (was p/n 1001126169)	
9B	Use 0801613		600AJ USA Built Machines S/N 0300087000 to S/N 0300101241 (was p/n 0801027)	
	0801613		600AJ USA Built Machines S/N 0300101241 to Present	
	Use 0801613		600AJ China Built Machines (was p/n 1001126177)	
10		1	Base Weldment Options:	
	Use 0801618		600A USA Built Machines S/N 0300087000 to S/N 0300105942 (Was p/n 0801023)	
	0801618		600A USA Built Machines S/N 0300105942 to Present	
	Use 0801618		600A China Built Machines S/N B300000100 to Present (was p/n 1001125683)	
	Use 0801621		600AJ USA Built Machines S/N 0300087000 to S/N 0300105942 (Was p/n 0801026)	
	0801621		600AJ USA Built Machines S/N 0300105942 to Present	
	Use 0801621		600AJ China Built Machines (was p/n 1001125770)	
11	0961948	2	Bushing, Garmax	
12	0961951	2	Bushing, Garmax (600AJ Only)	
13		1	Telescope Cylinder Assembly Options: (See Section 5 for Breakdown)	
	1683307		600A	
	1683317		600AJ	
14	Not Used			
15	3020039	A/R	Lubricant	

# SECTION 3 BOOM

**FIGURE 3-6. MAIN BOOM ASSEMBLY (CONTINUED)**

ITEM #	PART NUMBER	QTY.	DESCRIPTION	REV.
16	3340871	4	Pad, Wear	
17	3340881	12	Pad, Wear Options: USA Built Machines S/N 0300087000 to S/N 0300168828 & China Built Machines S/N B300000100 to Present	
	1001148652		USA Built Machines S/N 0300168828 to Present	
18	3422457	1	Pin	
19	Not Used			
20	3760133	2	Ring, Retaining	
21	3841340	1	Clamp, Hose	
22	4060805	A/R	Flex-Trim	
23	4070863	A/R	Shim .12	
24	4070864	A/R	Shim .05	
25	4070897	A/R	Shim .05	
26	4070898	A/R	Shim .12	
27	4070929	A/R	Shim	
28	4071007	A/R	Shim	
29 to 39	Not Used			
40	1670836	6	Cover, Boom (USA Built Machines S/N 0300087000 to S/N 0300134296)	
41	1670768	1	Cover, Boom	
42	3311401	3	Nut 1/4in-20NC	
43	4751400	3	Flatwasher 1/4in Regular	
		Ref.	<b>POWER TRACK INSTALLATION</b>	
	0255281	Ref.	<b>600A USA Built Machines</b>	9/F
	1001115283	Ref.	<b>600A China Built Machines</b>	A
	0255288	Ref.	<b>600AJ USA Built Machines</b>	8/E
	1001115218	Ref.	<b>600AJ China Built Machines</b>	B
101	0100011	A/R	Compound, Locking	
102	0100081	A/R	Adhesive	
103	0641522	1	Bolt 5/16in-18NC x 2-3/4in	
104		2	Bolt 5/16in-18NC Options: Bolt 5/16in-18NC x 4-1/2in	
	0641536		Bolt 5/16in-18NC x 5in	
	0641540		Bolt 3/8in-16NC x 5/8in	
105	0641605	2	Bolt 3/8in-16NC x 3/4in	
106	0641606	19	Bolt 3/8in-16NC x 5in	
107	0641640	2	Clamp, Hose/Cable	
108	1320314	1	Locknut 5/16in-18NC	
109	3311505	3	Locknut 3/8in-16NC	
110	3311605	4	Pad, Wear	
111	3340764	2	Pad Options: 600A	
112	Not Used	1	600AJ	
	3340787		Plate, Cover Support	
	3340765		Flex-Trim (was p/n 4060804)	
113	3538758	1	Shim	
114	Use 4060803	A/R	Flatwasher 5/16in Thin	
115	4070932	A/R	Flatwasher 3/8in Thin	
116	4711500	6		
117	4711600	18		

## SECTION 3 BOOM

**FIGURE 3-6. MAIN BOOM ASSEMBLY (CONTINUED)**

ITEM #	PART NUMBER	QTY.	DESCRIPTION	REV.
118		3	Plate Options: 600A: USA Built Machines S/N 030087000 to S/N 0300135638 (Gemco Power Track) USA Built Machines S/N 0300135638 to Present (Gortrac Power Track) China Built 600A Machines S/N B300000100 to Present	
	3574171			
	1001106758			
	1001106758			
	3574185			
119		3	600AJ Shim Options: 600A: USA Built Machines S/N 030087000 to S/N 0300135638 (Gemco Power Track) USA Built Machines S/N 0300135638 to Present (Gortrac Power Track) China Built 600A Machines S/N B300000100 to Present	
	4071061			
	1001106759			
	1001106759			
	4071062			
120	1001107153	1	600AJ 600A Power Track Assembly (was p/n 1180336)	
120A			Gemco Replacement Parts:	
	7006140	A/R	1Ft. Repair Section (Includes 10 Link Pin, 4 Radius Links, 8 Carrier Links, 4 Rod Carrier, 8 Screws, 10 Slugs & 20 Bearing Plates)	
	7006151	2 Pair	Feet, Mounting	
	7006161	A/R	Rod	
	7006152	A/R	Pin Kit (Includes 1 pin, 1 Retaining Ring & 4 Washers)	
120B			Gortrac Replacement Parts:	
	70002011	A/R	Repair Section - 1 Section	
	70002012	1	Mounting Bracket Kit	
121	1001099836		600AJ Power Track Assembly (was p/n 1180338)	
121A			Gemco Replacement Parts:	
	7016519	A/R	1Ft. Repair Section (Includes 10 Link Pin, 4 Radius Links, 8 Carrier Links, 4 Rod Carrier, 8 Screws, 10 Slugs & 20 Bearing Plates)	
	7006151	2 Pair	Feet, Mounting	
	7016521	A/R	Rod	
	7006158	A/R	Screw	
	7006152	A/R	Pin Kit (Includes 1 pin, 1 Retaining Ring & 4 Washers)	
121B			Gortrac Replacement Parts:	
	70001999	A/R	Repair Section - 2 Section	
	70002000	1	Mounting Bracket Kit	
122		1	Tube Weldment Options: 600A: USA Built Machines China Built Machines	
	4844969			
	1001114875			
	4844978			
	1001115054			
			600AJ: USA Built Machines China Built Machines	

# SECTION 3 BOOM

**FIGURE 3-6. MAIN BOOM ASSEMBLY (CONTINUED)**

ITEM #	PART NUMBER	QTY.	DESCRIPTION	REV.
123	4844972 1001115253  4844979 1001115063	1	Support, Power Track Options: 600A USA Built Machines China Built Machines 600AJ USA Built Machines China Built Machines	

**FIGURE 3-6. MAIN BOOM ASSEMBLY (CONTINUED)**

ITEM #	PART NUMBER	QTY.	DESCRIPTION	REV.

# SECTION 3 BOOM

FIGURE 3-7. ROTATOR ASSEMBLIES

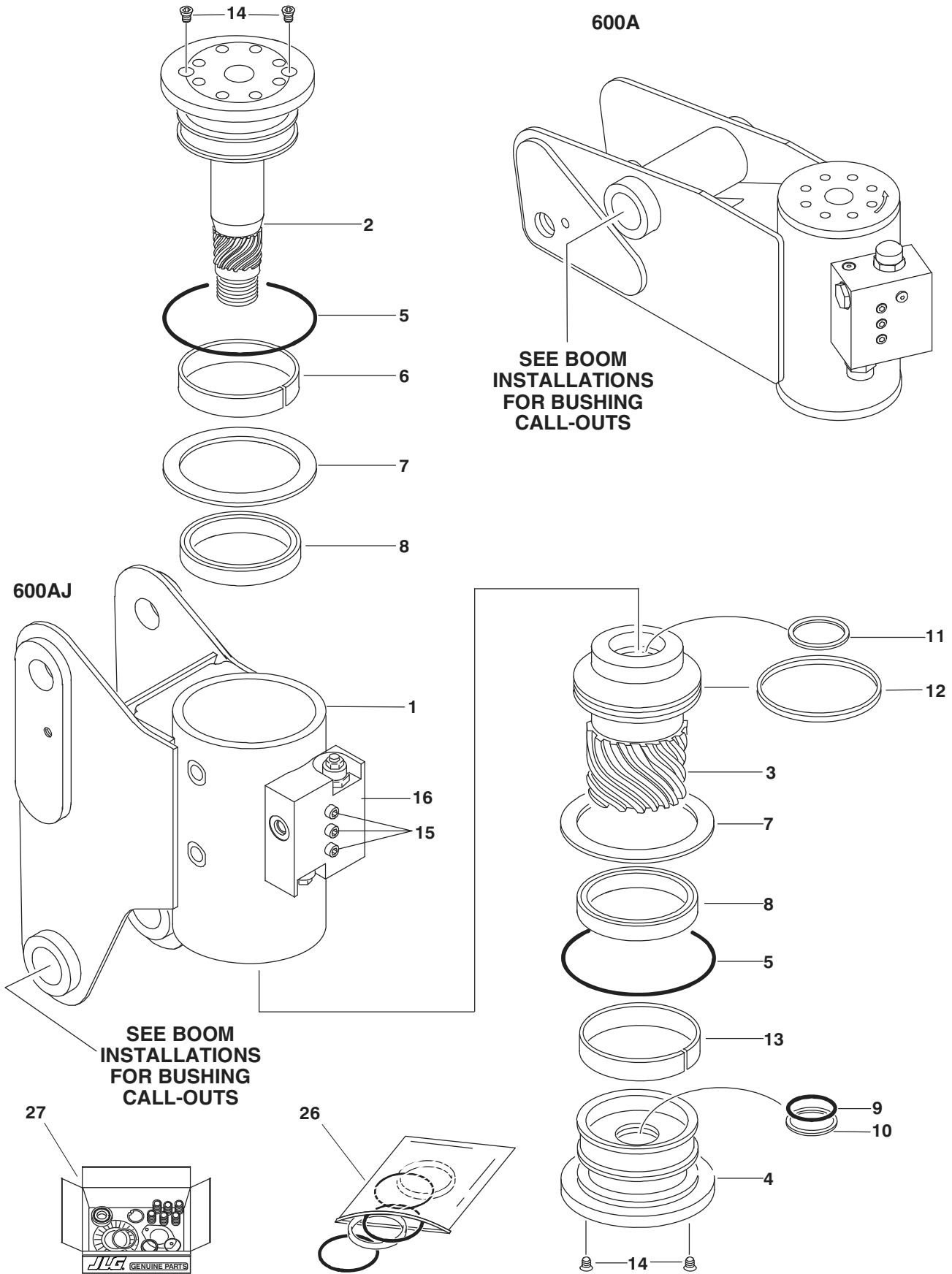


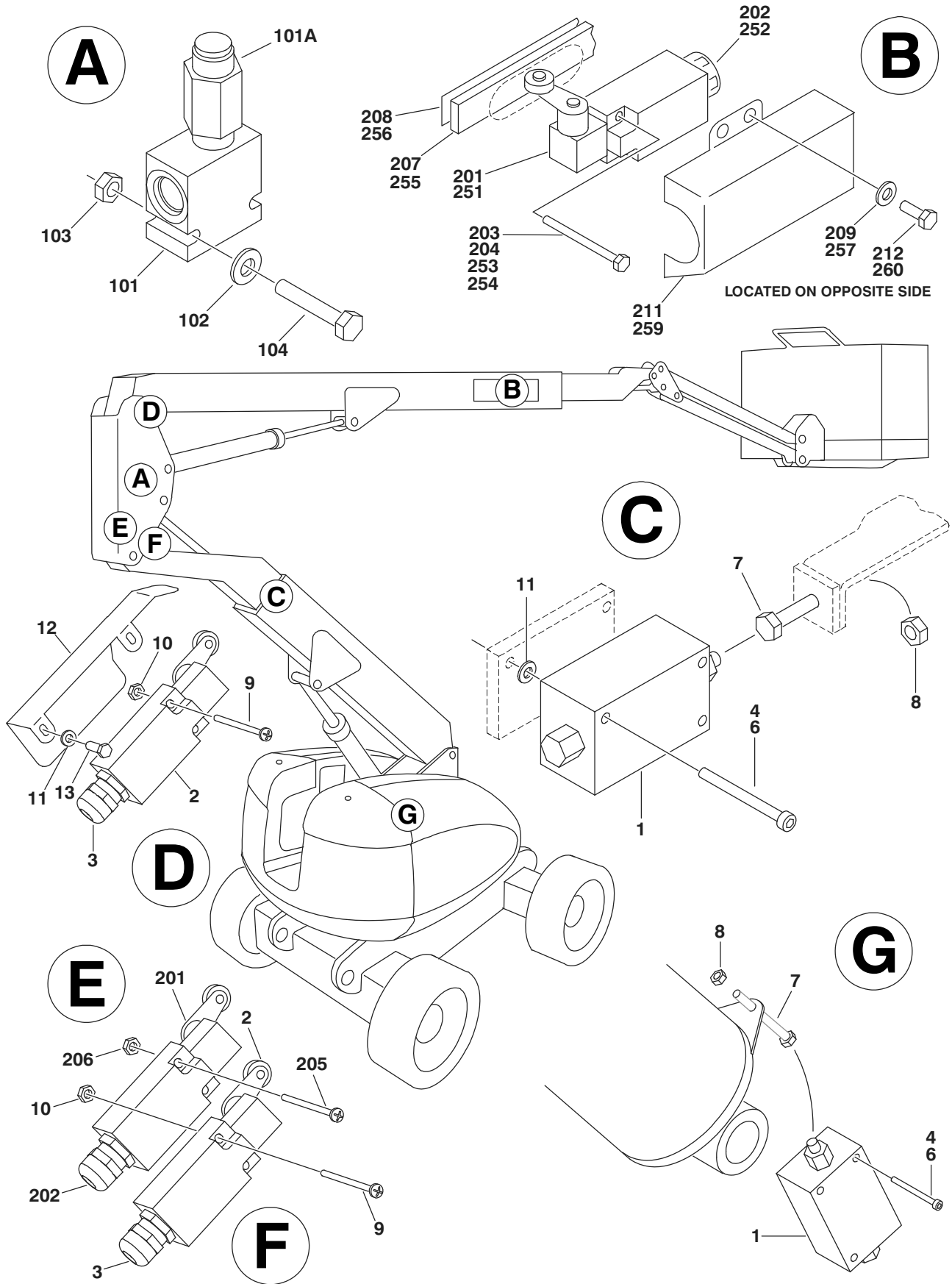
FIGURE 3-7. ROTATOR ASSEMBLIES

ITEM #	PART NUMBER	QTY.	DESCRIPTION	REV.
		Ref.	<b>ROTATOR ASSEMBLIES</b>	
	0060068	Ref.	<b>600A</b>	A
	0060066	Ref.	<b>600AJ</b>	C
1	See Note	1	Housing/Ring Gear Assembly ( <b>Note: Not Available - Purchase Complete Assembly</b> )	
2	7017162	1	Weldment, Shaft	
3	7017163	1	Piston/Sleeve Assembly	
4	7017164	1	Cap, End	
5	Use 7017158	2	O-Ring	
6	Use 7017159	1	Bearing, Shaft	
7	Use 7017159	2	Thrustwasher	
8	Use 7017158	2	Packing, Bearing	
9	Use 7017158	1	Seal, Cap	
10	Use 7017158	1	Ring, Back-Up Cap	
11	Use 7017158	1	Seal, Rod	
12	Use 7017158	1	Seal, Piston	
13	Use 7017159	1	Bearing, Cap	
14	70001697	6	Capscrew 1/4in-20NC x 3/8in (Grade 8)	
15	See Note	3	Bolt 1/4in-20NC (Grade 8) ( <b>Note: Not Available for Purchase</b> )	
16	7017183	1	Valve Assembly	
	7017193	2	Cartridge, Valve	
	See Note	2	Seal Kit - 7017193 Valve ( <b>Note: Not Available - Purchase Complete Assembly</b> )	
	See Note	1	Cartridge, Valve (Not Shown - Located on Side of Block) ( <b>Note: Not Available - Purchase Complete Assembly</b> )	
	See Note	1	Seal Kit - Valve Located on Side of Block ( <b>Note: Not Available - Purchase Complete Assembly</b> )	
17 to 25	Not Used			
26	7017158	1	Seal Kit (Includes Items 5 & 8-12)	
27	7017159	1	Bearing Kit (Includes Items 6, 7 & 13)	
	70000342		Low Temperature	
27	7017159	1	Bearing Kit (Includes Items 6, 7 & 13)	



# SECTION 3 BOOM

FIGURE 3-8. VALVES & SWITCHES INSTALLATION (BOOM MOUNTED)



## SECTION 3 BOOM

**FIGURE 3-8. VALVES & SWITCHES INSTALLATION (BOOM MOUNTED)**

ITEM #	PART NUMBER	QTY.	DESCRIPTION	REV.
	0255438	Ref.	<b>BOOM VALVES AND LIMIT SWITCHES INSTALLATION (ALL SPECS)</b>	10/J
1	4641139	2	Valve, Manual 2-Way Options: USA Built Machines S/N 0300087000 to S/N 0300091978	
	4641436		USA Built Machines S/N 0300091978 to Present	
	4641436		China Built Machines S/N B300000100 to Present	
2	4360578	2	Switch, Limit	
3	4460968	2	Connector, Strain Relief (Part of Item 2):	
4	3931430	6	Bolt, Socket Head 1/4in-20NC x 1-7/8in	
5	Not Used			
6	0100011	A/R	Compound, Locking	
7	0630427	2	Bolt, Special	
8	3311801	3	Nut 1/2in-13NC	
9	3930824	4	Bolt, Socket Head #8-32NC x 1-1/2in	
10	3310801	4	Nut #8-32NC	
11	4751400	8	Flatwasher 1/4in Regular	
12	1670819	1	Cover, Switch	
13	3931408	2	Bolt, Socket 1/4in-20NC x 1/2in	
		Ref.	<b>VALVES INSTALLATION (ALL SPECS)</b>	
	0274309	Ref.	<b>600A 2WS</b>	4
	0274311	Ref.	<b>600A 4WS</b>	4
	0274310	Ref.	<b>600AJ 2WS</b>	4
	0274312	Ref.	<b>600AJ 4WS</b>	4
101	4640929	1	Valve Assembly (Relief)	
101A	7012970	1	Cartridge	
	7012953	1	Seal Kit - 7012970 Cartridge	
102	4711400	2	Flatwasher 1/4in Thin	
103	3311405	2	Locknut 1/4in-20NC	
104	0641424	2	Bolt 1/4in-20NC x 3in	
	0255699	Ref.	<b>LIMIT SWITCHES INSTALLATION - 600A DUAL CAPACITY (ALL SPEC EXCEPT CE &amp; LATIN AMERICA SPEC)</b>	6/C
201	4360578	2	Switch, Limit	
202	4460968	2	Connector, Strain Relief (Part of Item 2):	
203	0100035	A/R	Compound, Locking	
204	3930816	2	Bolt, Socket Head #8-32NC x 1in	
205	3930824	2	Bolt, Socket Head #8-32NC x 1-1/2in	
206	3310805	2	Locknut #8-32NC	
207	Use 1001106480	1	Bar, Fiberglass (was p/n 0362529)	
208	4420060	9.8ft/3m	Tape, Foam	
209	4751400	4	Flatwasher 1/4in Regular	
210	Not Used			
211	1670824	1	Cover, Switch	
212	0641403	4	Bolt 1/4in-20NC x 3/8in	

## SECTION 3 BOOM

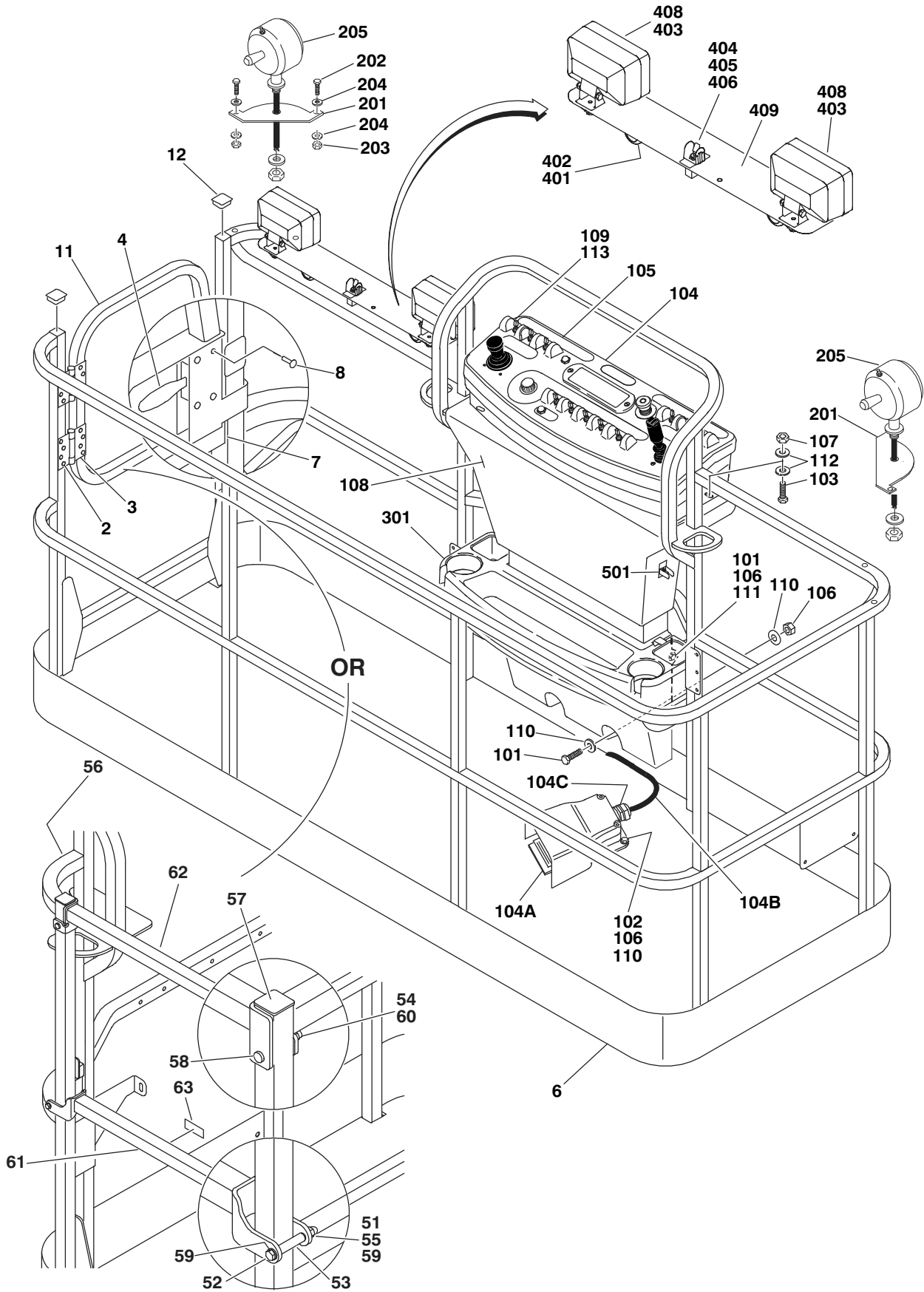
**FIGURE 3-8. VALVES & SWITCHES INSTALLATION (BOOM MOUNTED) (CONTINUED)**

ITEM #	PART NUMBER	QTY.	DESCRIPTION	REV.
		Ref.	<b>TRANSPORT POSITION SWITCHES INSTALLATION (CE SPEC ONLY)</b>	
	0256331	Ref.	<b>600A</b>	4/A
	0256336	Ref.	<b>600AJ</b>	5/A
251	4360578	1	Switch, Limit	
252	4460968	1	Connector, Strain Relief (Part of Item 2):	
253	0100035	A/R	Compound, Locking	
254	3930816	2	Bolt, Socket Head #8-32NC x 1in	
255		1	Bar, Fiberglass	
	0362611		600A	
	Use 1001106480		600AJ (was p/n 0362529)	
256	4420060	A/R	Tape, Foam	
		161in/4m	600A	
		127in/3.2m	600AJ	
257	4751400	4	Flatwasher 1/4in Regular	
258	Not Used			
259	1670824	1	Cover, Switch	
260	0641403	4	Bolt 3/8in-16NC x 3/8in	

# **SECTION 4 PLATFORM**

# SECTION 4 PLATFORM

## FIGURE 4-1. PLATFORM ASSEMBLIES



## SECTION 4 PLATFORM

**FIGURE 4-1. PLATFORM ASSEMBLIES**

ITEM #	PART NUMBER	QTY.	DESCRIPTION	REV.
		Ref.	<b>PLATFORM ASSEMBLY WITH GATE</b>	
		Ref.	<b>USA Built Machines:</b>	
	Use 1001144027	Ref.	2.6ft x 4ft (0.70m x 1.22m) with No Mesh (was p/n 3510830)	B/M
	Use 1001144026	Ref.	2.6ft x 5ft (0.70m x 1.52m) with No Mesh (was p/n 3510831)	B/L
	Use 1001144024	Ref.	3ft x 6ft (0.9m x 1.83m) with No Mesh (was p/n 3510833)	B/I
	Use 1001144023	Ref.	3ft x 8ft (0.9m x 2.44m) with No Mesh (was p/n 3510822)	B/J
		Ref.	<b>China Built Machines:</b>	
	Use 1001146180	Ref.	3ft x 6ft (0.9m x 1.83m) with No Mesh (was p/n 1001114335)	A/D
	Use 1001146179	Ref.	3ft x 8ft (0.9m x 2.44m) with No Mesh (was p/n 1001114391)	A/D
		Ref.	<b>Note: Original Equipment platform may have been replaced with Service Replacement platform. Identify platform before ordering parts.</b>	
		Ref.	<b>Note: Platform and Mesh must be ordered separately for Platforms with Mesh. See Section 10 for Mesh Installations.</b>	
		Ref.	<b>Note: Replacement Decals Must be purchased separately - See Section 8.</b>	
		Ref.	<b>Note: When replacing 8ft/2.44m platform with Soft Touch option, new Soft Touch Rail p/n 4846673 must be purchased to accommodate limit switch locations.</b>	
		Ref.	<b>Note: When replacing platform on machines with SkyCutter option, new bracket p/n 1001145405 must be purchased to accommodate SkyCutter components.</b>	
1	Not Used			
2	2080040	16	Fastener, Huck	
3	2600281	2	Hinge, Self-Closing	
4	2940074	1	Latch	
5	Not Used			
6	See Note	1	Platform Weldment ( <b>Note: Purchase Platform Assembly</b> )	
7		A/R	Plug	
	3520072		USA Built Machines	
			China Built Machines	
	3520198		Platform p/ns 1001114335 & 1001114391	
	1001144630		Platform p/ns 1001146179 & 1001146180)	
8	3820020	4	Rivet	
9	4751000	4	Flatwasher #10 Regular	
10	Not Used			
11		1	Gate Weldment Options:	
			USA Built Machines	
	4846452		Platform p/ns 3510822, 3510830, 3510831, 3510833	
	1001144629		Platform p/ns 1001144023, 1001144024, 1001144026, 1001144027)	
			China Built Machines	
	1001114341		Platform p/ns 1001114335 & 1001114391	
	1001144629		Platform p/ns 1001146179 & 1001146180)	
12		2	Plug Options:	
	3520198		USA Built Machines	
			China Built Machines	
	3520198		Platform p/ns 1001114335 & 1001114391	
	1001145781		Platform p/ns 1001146179 & 1001146180)	

# SECTION 4 PLATFORM

**FIGURE 4-1. PLATFORM ASSEMBLIES (CONTINUED)**

ITEM #	PART NUMBER	QTY.	DESCRIPTION	REV.
		Ref.	<b>PLATFORM ASSEMBLY WITH DROP-BAR</b>	
		Ref.	<b>USA Built Machines:</b>	
	Use 1001144018	Ref.	<b>4ft x 2.5ft (1.2m x .76m) (was p/n 1001138431)</b>	B/B
	Use 1001144019	Ref.	<b>5ft x 2.5ft (1.5m x .76m) (was p/n 1001138432)</b>	B/B
	Use 1001144021	Ref.	<b>6ft x 3ft (1.83m x .91m) (was p/n 1001138434)</b>	B/B
	Use 1001144022	Ref.	<b>8ft x 3ft (2.44m x .91m) (was p/n 1001138430)</b>	B/B
		Ref.	<b>China Built Machines:</b>	
	Use 1001146182	Ref.	<b>6ft x 3ft (1.83m x .91m) (was p/n 1001139373)</b>	A/B
	Use 1001146181	Ref.	<b>8ft x 3ft (2.44m x .91m) (was p/n 1001139374)</b>	A/B
		Ref.	<b>Note: Replacement Decals Must Be Ordered Separately - See Section 8.</b>	
51	0100011	A/R	Compound, Locking	
52	0641418	2	Bolt 1/4in-20NC x 2-1/4in	
53	0961845	2	Bushing	
54	3290606	2	Nut M6	
55	3300151	2	Nut, Acorn	
56	See Note	1	Platform Weldment ( <b>Note: Purchase Platform Assembly.</b> )	
57		2	Cap-Plug Options:	
	3520198		USA Built Machines	
			China Built Machines	
	3520198		Platform p/ns 1001139373 & 1001139374	
	1001145781		Platform p/ns 1001146181 & 1001146182)	
58	4010618	2	Screw M6 x 50mm	
59	4711400	4	Flatwasher 1/4in	
60	4811700	2	Flatwasher M6	
61	1001138494	1	Bar, Drop	
62	1001138514	1	Rail (Top)	
63	1001140429	1	Decal - Drop-Bar	
		Ref.	<b>CONSOLE BOX INSTALLATION</b>	
	0271941	Ref.	<b>USA Built Machines S/N 030087000 to S/N 0300138649</b>	B
	1001108736	Ref.	<b>USA Built Machines S/N 0300138649 to S/N 0300139041</b>	B
	Use 1001145835	Ref.	<b>USA Built Machines S/N 0300139041 to Present (was p/n 1001114446)</b>	A/D
	1001114446	Ref.	<b>China Built Machines S/N B300000100 to Present</b>	D
	0258945	Ref.	<b>China Built Machines 4WS Components</b>	A
101	0641406	4	Bolt 1/4in-20NC x 3/4in	
102	0641408	3	Bolt 1/4in-20NC x 1in	
103	0641610	4	Bolt 3/8in-16NC x 1-1/4in	
104		1	Platform Console Box Assembly (See Figure 4-3 for Breakdown)	
	0861517		USA Built Machines S/N 030087000 to S/N 0300138649	
	1001108735		USA Built Machines S/N 0300138649 to S/N 0300139041	
	Use 1001145834		USA Built Machines S/N 0300139041 to Present (was p/n 1001114448)	
	1001114448		China Built Machines S/N B300000100 to Present	
104A		1	Footswitch Assembly Options (Includes Footswitch & Items 104B & 104C):	

## SECTION 4 PLATFORM

**FIGURE 4-1. PLATFORM ASSEMBLIES (CONTINUED)**

ITEM #	PART NUMBER	QTY.	DESCRIPTION	REV.
104A Cont'd	0272970		USA Built Machines S/N 0300087000 to S/N 0300167714 & China Built Machines S/N B300000100 to Present	B
	1001117174	Ref.	USA Built Machines S/N 0300167714 to Present	B
			<b>Note: Assembly p/n 0272970 may use either p/n 4360031 or p/n 1001117320. If Original Equipment on machines S/N 0300087000 to S/N 0300143952 was replaced as an "assembly," p/n 1001117320 may have been used as part of the Service Replacement. Identify component before ordering parts.</b>	
		1	Footswitch Options:	
	4360031	1	Footswitch (USA Built Machines S/N 0300087000 to S/N 00300143952)	
	7000625	2	Block for 4360031 Footswitch	
	1001117320	1	Footswitch (USA Built Machines S/N 0300143952 to S/N 0300167714 & China Built Machines S/N B300000100 to Present)	
	70003483	1	Block for 1001117320 Footswitch	
	1001117172	1	Footswitch (USA Built Machines S/N 0300167714 to Present)	
	70002902	1	Block, Contact for 1001117172 Footswitch	
	70002903	1	Gasket for 1001117172 Footswitch	
	70002905	1	Cover for 1001117172 Footswitch	
	70002904	1	Bolt Replacement Kit for 1001117172 Footswitch	
	104B	1060918	7ft/2.14m	Cable, Electrical - 18/3
104C	4460071	1	Connector, Strain Relief	
105	1702676	1	Decal - Horn	
106	3311405	7	Locknut 1/4in-20NC	
107	3311605	4	Locknut 3/8in-16NC	
108	3380434	1	Panel, Decal Mount	
109	4360331	1	Switch	
110	4740362	7	Washer, Fender 1/4in	
111	4751400	4	Flatwasher 1/4in Regular	
112	4751600	8	Flatwasher 3/8in Regular	
113	3790012	1	O-Ring	
	0273492	Ref.	<b>WORKLIGHTS INSTALLATIONS (OPTIONAL)</b>	D
201	3536089	2	Plate, Mounting	
202		4	Hardware Options:	
	0641414		Bolt 1/4in-20NC x 1-3/4in (USA Built Machines S/N 0300087000 to S/N 0300112400)	
	2080040		Blind Fastener, Huck (USA Built Machines S/N 0300112400 to Present)	
203	3311405	4	Locknut 1/4in-20NC (USA Built Machines S/N 0300087000 to S/N 0300112400 Only)	
204	4711400	8	Flatwasher 1/4in Thin (USA Built Machines S/N 0300087000 to S/N 0300112400 Only)	
205	2920140	2	Worklight	
	7016399	2	Bulb, Replacement (1 Per Worklight)	
206	4240099	10	Tie-Strap (Not Shown)	
207	2820035	9	Loom, Vinyl (Not Shown)	



# SECTION 4 PLATFORM

**FIGURE 4-1. PLATFORM ASSEMBLIES (CONTINUED)**

ITEM #	PART NUMBER	QTY.	DESCRIPTION	REV.
208	Not Used			
209	4460426	1	Connector, Strain Relief Options (Not Shown - Located at Console Box):	
		Ref.	<b>TRAY INSTALLATIONS (OPTIONAL)</b>	
301	1580012	1	Tray, Storage (Center)	
302	1580013	1	Tray, Storage (Rail Mounted - Not Shown)	
	0274180	Ref.	<b>FLOODLIGHT INSTALLATION</b>	A
401	0641518	2	Bolt 5/16in-18NC x 2-1/4in	
402	2560173	2	Handle	
403	2920157	2	Lamp, Work Light	
404	3250585	1	Nameplate - Light On	
405	4060802	1	Guard, Switch	
406	4360336	1	Switch, Toggle	
407	4420037	1	Tape, Insulation (Not Shown)	
408	4751800	2	Flatwasher 1/2in Regular	
409	4846561	1	Mount, Light	
410	4922892	1	Harness 12/3 (Lower Boom) (Not Shown)	
411	4922894	1	Harness 12/3 (Upper Boom) (Not Shown)	
		Ref.	<b>2500W GENERATOR INSTALLATION (OPTIONAL)</b>	
501	4360336	1	Switch, Toggle	
	4740397	1	Bushing	
	4060802	1	Guard, Switch	
	3251102	1	Decal - Generator ON/OFF	

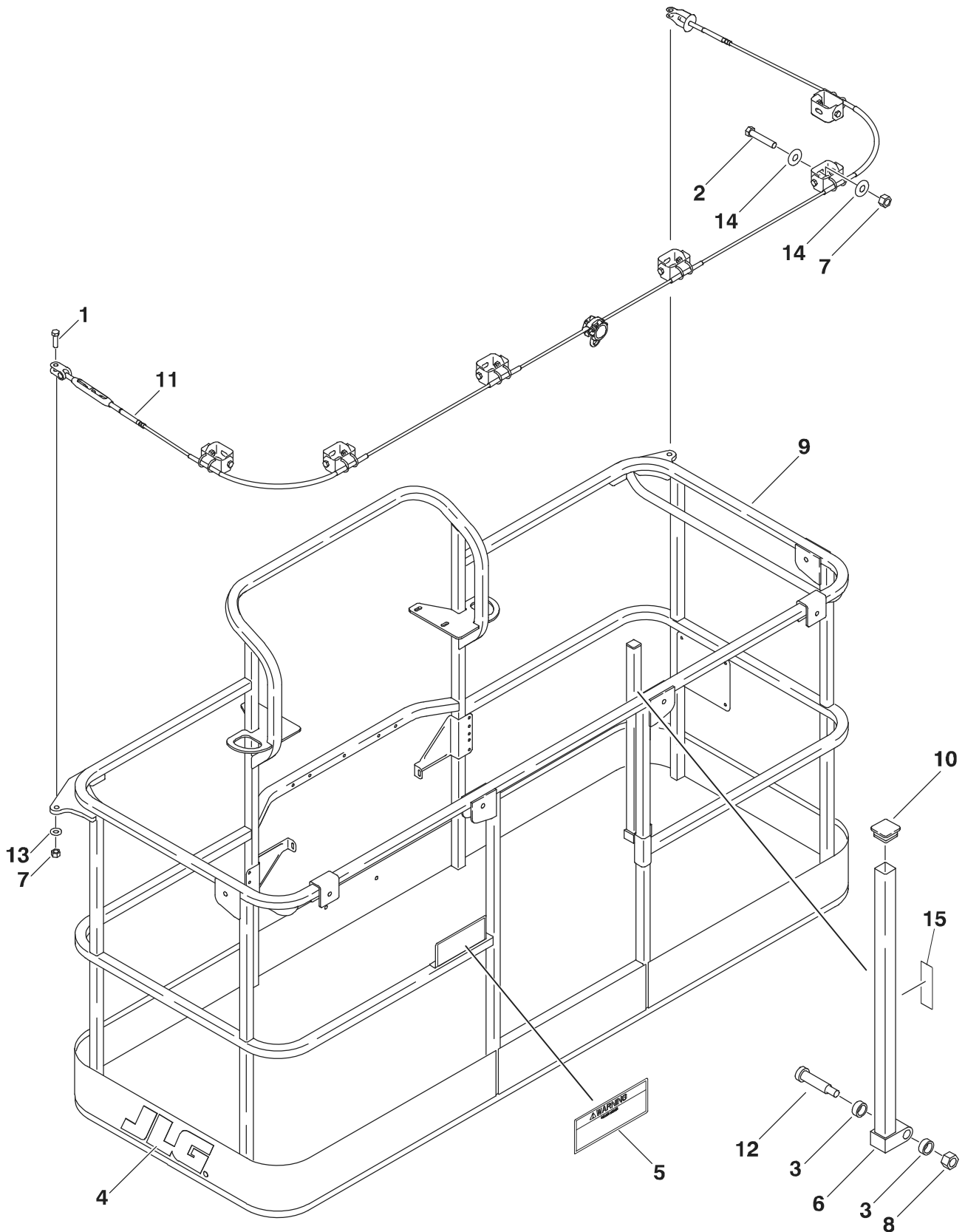
**SECTION 4 PLATFORM**

**FIGURE 4-1. PLATFORM ASSEMBLIES (CONTINUED)**

ITEM #	PART NUMBER	QTY.	DESCRIPTION	REV.

# SECTION 4 PLATFORM

## FIGURE 4-2. PLATFORM COMPONENTS INSTALLATION (FALL ARREST PLATFORM)



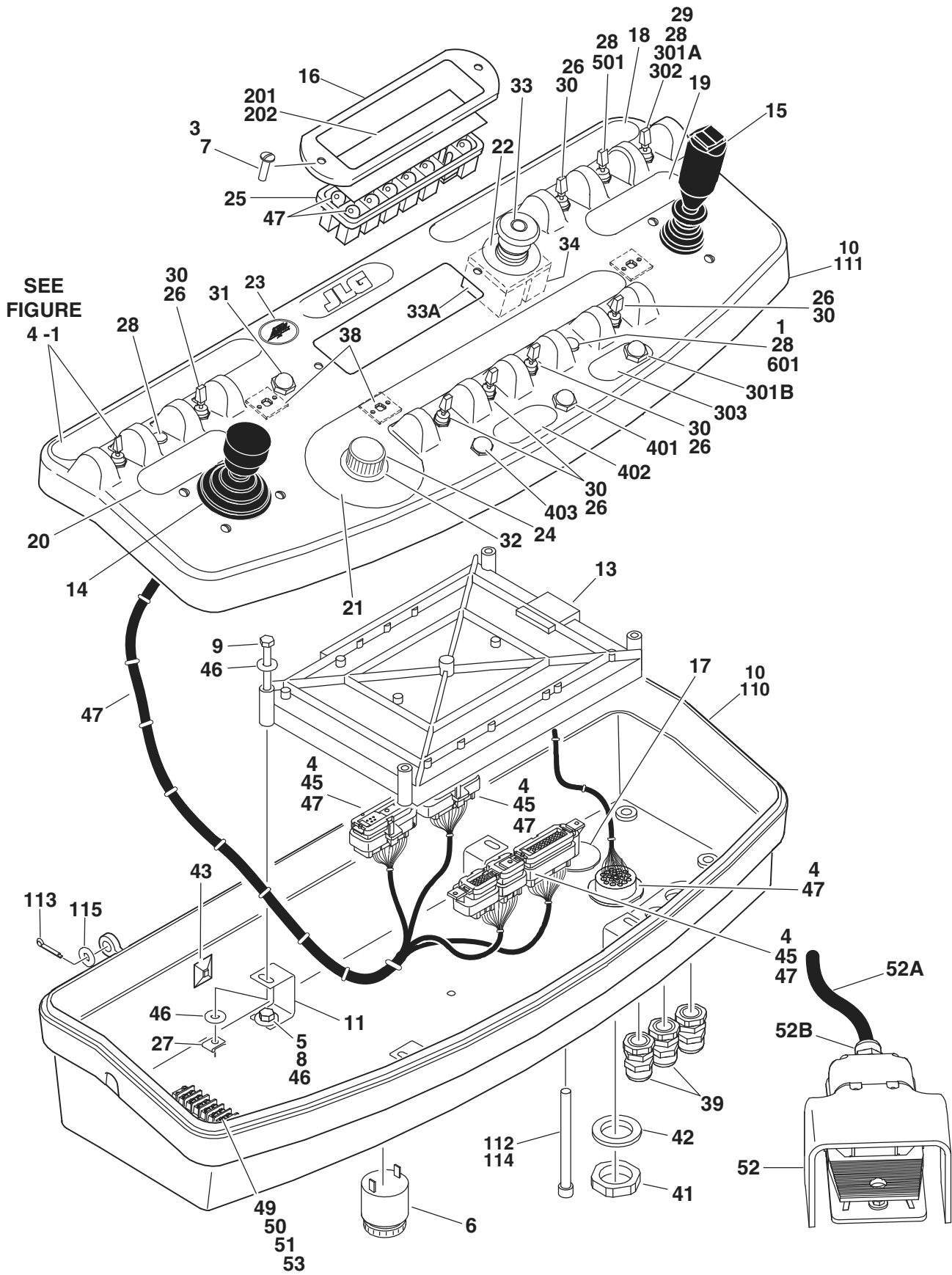
## SECTION 4 PLATFORM

**FIGURE 4-2. PLATFORM COMPONENTS INSTALLATION (FALL ARREST PLATFORM)**

ITEM #	PART NUMBER	QTY.	DESCRIPTION	REV.
		Ref.	<b>PLATFORM ASSEMBLY (FALL ARREST)</b>	
		Ref.	<b>Note: Not Available on CE Specs.</b>	
	3510884	Ref.	<b>3ft x 6ft (0.9m x 1.83m)</b>	E
	3510868	Ref.	<b>3ft x 8ft (0.9m x 2.44m)</b>	E
		Ref.	<b>Note: Replacement Decals Must be purchased separately - See Section 8.</b>	
1	0681814	2	Bolt 1/2in-13NC x 1-3/4in	
2	0681822	A/R	Bolt 1/2in-13NC x 2-3/4in	
3	0962270	2	Bearing, Oilite	
4	1702773	1	Decal - JLG (3ft x 8ft (0.9m x 2.44m) Platform Only)	
5	1705014	1	Decal - Safety	
6	2410014	1	Gate Weldment	
7	3271805	A/R	Locknut 1/2in-13NC	
8	3311605	1	Locknut 3/8in-16NC	
9	See Note	1	Platform Weldment ( <b>Note: Purchase Platform Assembly</b> )	
10	3520072	1	Cap-Plug	
11		1	Cable, Fall Arrest Options:	
	1060919		3ft x 6ft (0.9m x 1.83m)	
	3890040		3ft x 8ft (0.9m x 2.44m)	
12	3900054	1	Bolt 1/2in-13NC x 1 3/4in	
13	4711800	2	Flatwasher 1/2in Thin	
14	4751800	A/R	Flatwasher 1/2in Regular	
15	1706385	1	Decal - Drop Bar	

# SECTION 4 PLATFORM

FIGURE 4-3. PLATFORM CONSOLE ASSEMBLY



## SECTION 4 PLATFORM

**FIGURE 4-3. PLATFORM CONSOLE ASSEMBLY**

ITEM #	PART NUMBER	QTY.	DESCRIPTION	REV.
		Ref.	<b>Note: Machines "Without UGM" are ALL USA Built Machines.</b>	
		Ref.		<b>Note: Platform Console Module is different based on the Ground Control Module (i.e. with UGM or without UGM). For Ground Module identification, see Revision Log Page A.</b>
		Ref.	<b>CONSOLE BOX &amp; FOOTSWITCH ASSEMBLIES</b>	
	0861517	Ref.	<b>USA Built Machines S/N 0300087000 to S/N 0300137205 (Without UGM)</b>	K
	1001108735	Ref.	<b>USA Built Machines S/N 0300137205 to Present (Without UGM)</b>	B
	Use 1001145834	Ref.	<b>USA Built Machines - With UGM (was p/n 1001114448)</b>	A/F
	Use 1001145834	Ref.	<b>China Built Machines S/N B300000100 to Present (was p/n 1001114448)</b>	A/F
1	0100009	A/R	Sealant	
2	Not Used			
3	0100035	A/R	Compound, Locking	
4	0100048	A/R	Grease, Dielectric	
5	0100081	A/R	Adhesive	
6	0140011	1	Alarm	
7	0630464	2	Screw, Button Head #10-24NC x 1/2in	
8	0641404	4	Bolt 1/4in-20NC x 1/2in	
9	0641414	4	Bolt 1/4in-20NC x 1 3/4in	
10	0861537	1	Box, Console (See Items 101-115 for Breakdown)	
11	0902751	4	Bracket, Card Support	
12	Not Used			
13		1	Controller, Module Options (Re-calibration Required when Replaced):	
	1600375		Without UGM	
	1001106355		With UGM	
14		1	Controller Assembly (Lift & Swing) Options (See Figure 4-4 for Breakdown):	
	Use 1001129555		USA Built Machines S/N 0300087000 to S/N 0300146184 (was p/n 1600317 & 1001118417)	
	Use 1001129555		USA Built Machines S/N 0300146184 to Present (was p/n 1001118417)	
	Use 1001129555		China Built Machines S/N B300000100 to S/N B300000251 (was p/n 1600317 & 1001118417)	
	Use 1001129555		China Built Machines S/N B300000251 to Present (was p/n 1001118417)	
16		1	Controller Assembly (Drive & Steer) Options (See Figure 4-5 for Breakdown):	
	Use 1001118416		USA Built Machines S/N 0300087000 to S/N 0300146184 (was p/n 1600318)	
	1001118416		USA Built Machines S/N 0300146184 to Present	
	Use 1001118416		China Built Machines S/N B300000100 to S/N B300000251 (was p/n 1600318)	
	1001118416		China Built Machines S/N B300000251 to Present	
16	1670829	1	Bezel	

## SECTION 4 PLATFORM

**FIGURE 4-3. PLATFORM CONSOLE ASSEMBLY (CONTINUED)**

ITEM #	PART NUMBER	QTY.	DESCRIPTION	REV.
17	Use 1001110434 1001110434	1	Hardware Options: Cover (was p/n 1671037) Plug	
18	1704997  1001107527  Use 1001131168  Use1001131168	1	Decal (Stop) Options: Decal USA Built Machines S/N 0300087000 to S/N 0300136623 Decal USA Built Machines S/N 0300136624 to S/N 0300137205 Decal USA Built Machines S/N 0300137206 to Present (was p/n 1001107677) Decal China Built Machines S/N B300000100 to Present (was p/n 1001107677)	
19	1702565	1	Decal (Drive and Steer)	
20	1702566	1	Decal (Lift and Swing)	
21	1702567	1	Decal (Function Speed)	
22	1704260	1	Decal - EMS	
23	1705132	1	Decal - ADE	
24	2560136	1	Handle, Knob	
25	2760105	1	Housing, Display Light	
26	3790012	A/R	O-Ring	
27	3300353	4	Nut, Tinnerman	
28	3520054	A/R	Plug, Hole	
29	4360330	1	Switch, Toggle (USA Built Machines S/N 0300137205 to Present Only)	
30	4360328	6	Switch, Toggle	
31	4360387	1	Switch, Pushbutton	
32	4360407 See Note  70003784	1 1 1	Controller, Speed Gasket "Top Hat" (Included with Switch) <b>(Note: Not Available - Purchase Complete Controller.)</b> Seal	
33	4360475 7020175	1 1	Switch, Emergency Stop Cap, Red	
33A	7020176	1	Contact Block	
34	4360476	1	Block, Contact	
35 to 37	Not Used			
38	4460234	3	Base, Mounting	
39	4460428	2	Connector, Strain Relief	
40	Not Used			
41	4460470	1	Nut, Terminal	
42	4460471	1	Lockwasher, Terminal	
43	4460488	1	Base, Mounting (USA Built Machines S/N 0300087000 to S/N 0300134338 Only)	
44	4460708	2	Connector, Female - 15 Position (Not Shown - See Section 7 for Location)	
45	4460905	5	Connector, Amp Seal Plug	
46	4751400	8	Flatwasher 1/4in Regular	
47	4922639  1001107753 1001107753	1	Harness, Platform Box Options (See Section 7 for Breakdown): Harness USA Built Machines S/N 0300087000 to S/N 0300136623 Harness USA Built Machines S/N 0300136623 to Present Harness China Built Machines S/N B300000100 to Present	

## SECTION 4 PLATFORM

**FIGURE 4-3. PLATFORM CONSOLE ASSEMBLY (CONTINUED)**

ITEM #	PART NUMBER	QTY.	DESCRIPTION	REV.
48	4922666	1	Harness, Analyzer Cable (Not Shown - See Section 7 for Breakdown)	
49		A/R	Bolt Options:	
	0721008	1	Bolt #10-24NC x 1in	
	0721006	2	Bolt #10-24NC x 3/4in	
50		A/R	Nut Options:	
	3311001	1	Nut #10-24NC	
	3311005	2	Locknut #10-24NC	
51	4460007	1	Bar, Buss	
52		1	Footswitch Assembly Options (Includes Footswitch & Items 52A & 52B):	
	0272970		USA Built Machines S/N 0300087000 to S/N 0300167714 & China Built Machines S/N B300000100 to S/N B300000725	B
	1001117174		USA Built Machines S/N 0300167714 to Present & China Built Machines S/N B300000725 to Present	B
		Ref.	<b>Note: Assembly p/n 0272970 may use either p/n 4360031 or p/n 1001117320. If Original Equipment on machines S/N 0300087000 to S/N 0300143952 was replaced as an "assembly," p/n 1001117320 may have been used as part of the Service Replacement. Identify component before ordering parts.</b>	
		1	Footswitch Options:	
	4360031	1	Footswitch (USA Built Machines S/N 0300087000 to S/N 00300143952)	
	7000625	2	Block for 4360031 Footswitch	
	1001117320	1	Footswitch (USA Built Machines S/N 0300143952 to S/N 0300167714 & China Built Machines S/N B300000100 to S/N B300000725)	
	70003483	1	Block for 1001117320 Footswitch	
	1001117172	1	Footswitch (USA Built Machines S/N 0300167714 to Present & China Built Machines S/N B300000725 to Present)	
	70002902	1	Block, Contact for 1001117172 Footswitch	
	70002903	1	Gasket for 1001117172 Footswitch	
	70002905	1	Cover for 1001117172 Footswitch	
	70002904	1	Bolt Replacement Kit for 1001117172 Footswitch	
52A	1060918	8ft/2.4m	Cable	
	4460042	3	Terminal, Ring (Not Shown)	
	4460464	1	Terminal, Deutsch	
	4460226	2	Socket, Contact	
52B	4460071	1	Connector, Strain Relief	
	0100020	A/R	Sealant	
53	4751000	A/R	Flatwasher #10 Regular	
		1	Decal Kit Options:	
	1001119561		ANSI Spec (Includes Items 18-23, & 201) (was p/n 2910869)	3
	See Note		All Other Specs ( <b>Note: Not Available for Purchase</b> )	



## SECTION 4 PLATFORM

**FIGURE 4-3. PLATFORM CONSOLE ASSEMBLY (CONTINUED)**

ITEM #	PART NUMBER	QTY.	DESCRIPTION	REV.
	0861537	Ref.	<b>CONSOLE BOX ASSEMBLY</b>	G
101 to 109	Not Used			
110	Use 0861537	1	Console Bottom ( <b>Note: Not Available for Purchase</b> )	
111	Use 0861537	1	Console Top ( <b>Note: Not Available for Purchase</b> )	
112	3311601	1	Nut 3/8in-16NC	
113		2	Hairpin	
	3420156		USA Built Machines S/N 0300087000 to S/N 0300088141	
	3470003		USA Built Machines S/N 0300088141 to Present	
	3470003		China Built Machines S/N B300000100 to Present	
114	0630568	1	Screw 3/8in-16NC x 4-1/2in	
115	4711500	2	Flatwasher 5/16in Thin	
		Ref.	<b>LIGHT PANEL DECAL INSTALLATION (USA BUILT MACHINES)</b>	
	0256631	Ref.	<b>ANSI &amp; ANSI Export Specs (S/N 0300087000 to S/N 0300138649)</b>	2
	1001108763	Ref.	<b>ANSI, ANSI Export, CSA, Latin American, Brazilian &amp; Japanese Specs (S/N 0300138649 to Present)</b>	B
	0256633	Ref.	<b>Australian, Latin American, Brazilian &amp; Japanese Specs (S/N 0300087000 to S/N 0300138649)</b>	2
	0256632	Ref.	<b>ANSI Export, Australian &amp; CE Specs (S/N 0300087000 to S/N 0300138649)</b>	2
	1001108764	Ref.	<b>ANSI Export, Australian &amp; CE Specs (S/N 0300138649 to Present)</b>	A
201		1	Decal - Display Options: ANSI & ANSI Export Specs Options: S/N 0300087000 to S/N 0300138649 S/N 0300138649 to S/N 0300142595 S/N 0300142595 to Present Australian, Latin American, Brazilian & Japanese Specs ANSI Export & CE Specs Options: S/N 0300087000 to S/N 0300138649 S/N 0300138649 to Present	
	1702387		S/N 0300087000 to S/N 0300138649	
	1001107927		S/N 0300138649 to S/N 0300142595	
	1001121657		S/N 0300142595 to Present	
	1703085		Australian, Latin American, Brazilian & Japanese Specs	
	1703084		ANSI Export & CE Specs Options: S/N 0300087000 to S/N 0300138649	
	1001107926		S/N 0300138649 to Present	
		Ref.	<b>LIGHT PANEL DECAL INSTALLATION (CHINA BUILT MACHINES)</b>	
	1001108763	Ref.	<b>ANSI Export &amp; Japanese Specs (S/N B300000100 to Present)</b>	B
	1001108764	Ref.	<b>ANSI Export &amp; Australian Specs (S/N B300000100 to Present)</b>	A
202		1	Decal - Display Options: ANSI Export & Japanese Specs ANSI Export & Australian Specs	
	1001121657		ANSI Export & Japanese Specs	
	1001107926		ANSI Export & Australian Specs	
		Ref.	<b>LIGHT SWITCH INSTALLATION</b>	
	0271552	Ref.	<b>Head &amp; Tail Lights Installation (Optional)</b>	C
	0274200	Ref.	<b>Chassis Illumination Light Installation (Optional)</b>	B
301		1	Switch, Toggle Options:	
301A	4360336		Switch, Toggle (S/N 0300087000 to S/N 0300136623)	

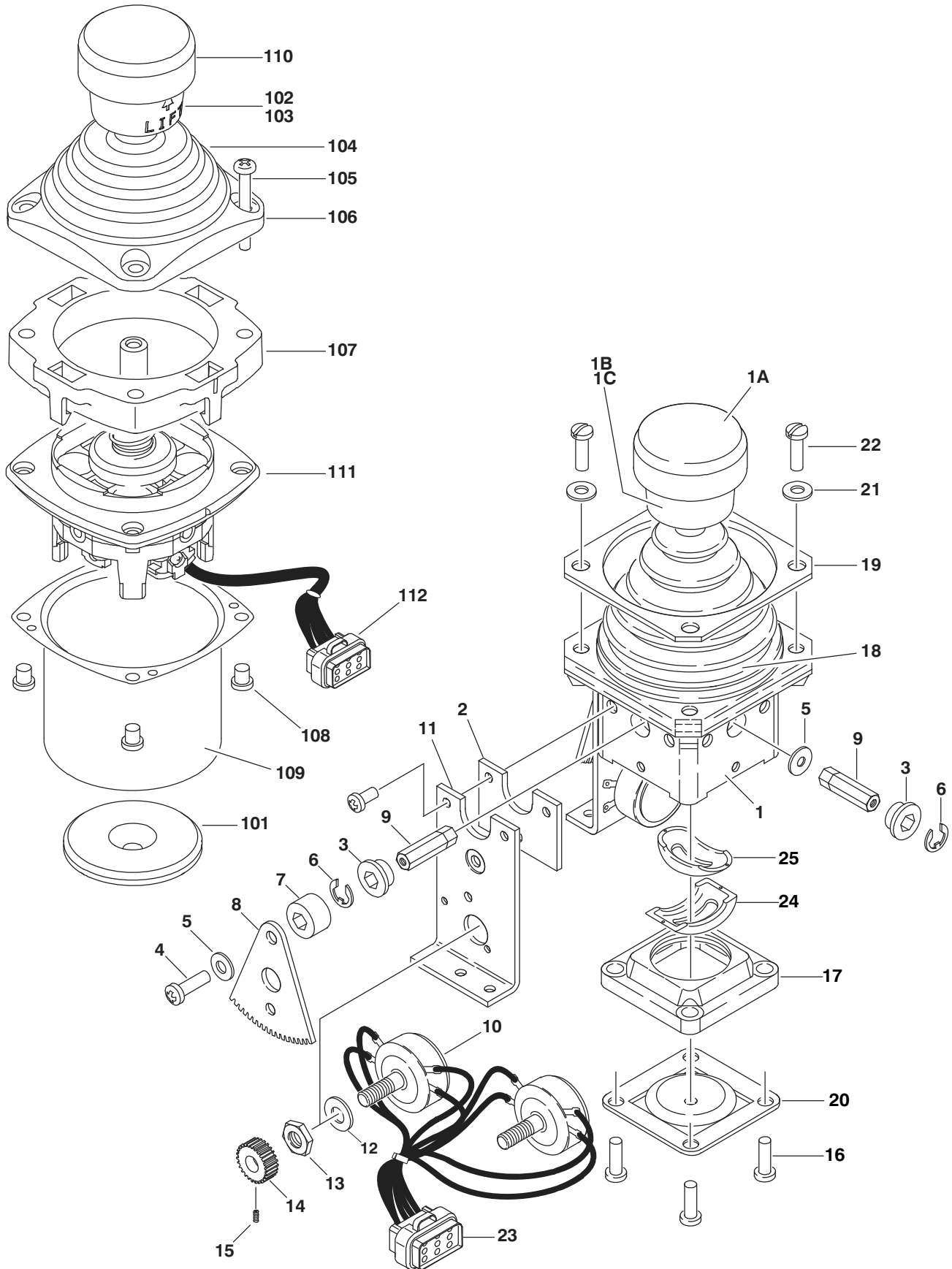
## SECTION 4 PLATFORM

**FIGURE 4-3. PLATFORM CONSOLE ASSEMBLY (CONTINUED)**

ITEM #	PART NUMBER	QTY.	DESCRIPTION	REV.
301B	4360522		Switch, Push Button (S/N 0300136623 to Present)	
302	3790012	1	O-Ring (S/N 0300087000 to S/N 0300136623)	
303	1705170	1	Decal - Lights (S/N 0300136623 to Present)	
		Ref.	<b>SOFT TOUCH SYSTEM INSTALLATIONS</b>	
	0273824	Ref.	<b>6ft Platform</b>	B
	0272427	Ref.	<b>8ft Platform</b>	E
	1001108256	Ref.	<b>6Ft/1.8m Platform w/Fall Arrest</b>	A
	0273706	Ref.	<b>8Ft/2.4m Platform w/Fall Arrest</b>	B
401	4360387	1	Switch, Pushbutton	
402	1702938	1	Decal - Soft Touch Override	
403	2920028	1	Lamp, Indicator	
	2920029	1	Bulb, Light	
		Ref.	<b>DUAL FUEL SWITCH INSTALLATION (FORD &amp; GM POWERED MACHINES ONLY)</b>	
501	4360336	1	Switch, Toggle	
	3790012	1	O-Ring	
		Ref.	<b>JIB SWITCH INSTALLATION (600AJ ONLY)</b>	
601	4360328	1	Switch, Toggle	
	3790012	1	O-Ring	

# SECTION 4 PLATFORM

FIGURE 4-4. CONTROLLER ASSEMBLY (LIFT AND SWING)



## SECTION 4 PLATFORM

**FIGURE 4-4. CONTROLLER ASSEMBLY (LIFT AND SWING)**

ITEM #	PART NUMBER	QTY.	DESCRIPTION	REV.
		Ref.	<b>CONTROLLER ASSEMBLY</b>	
	1600317	Ref.	<b>Controller Assembly (Original Equipment) (USA Built Machines S/N 030008700 to S/N 0300146184 &amp; China Built Machines S/N B300000100 to S/N B300000251)</b>	C
1	7019141	1	Mechanical Assembly (Includes Base, Handle Stem & Items 1A, 1B, 1C & 18)	
1A	7019197	1	Handle Cap & Rod	
1B	7003928	1	Spring	
1C	7022808	1	Cap, Lift	
2	7019171	2	Plate	
3	7019111	4	Bearing, Gear	
4	7019143	2	Screw	
5	7019144	2	Spacer, Cam	
6	7019145	4	E-Clip	
7	7019174	2	Spacer	
8	7003977	2	Gear, Drive	
9		2	Shaft Options:	
	7019147		Shaft, Short	
	7019177		Shaft, Long	
10	7022818	2	Potentiometer	
11	7019142	2	Plate	
12	7003992	2	Washer	
13	7003993	2	Nut	
14	7003976	2	Gear, Slave	
15	7019149	2	Setscrew	
16	7022816	4	Screw	
17	7019150	1	Gate	
18	7022814	1	Boot	
19	7022815	1	Bezel	
20	See Note	1	Center, Detent ( <b>Note: Not Available for Purchase</b> )	
21	7003953	4	Washer	
22	7022817	4	Screw	
23	7022819	1	Plug, Male 8 Position (Natural)	
	4460871	8	Socket, Female	
24	7019122	1	Gimble, Outer	
25	7019123	1	Gimble, Inner	
	Use 1001129555	Ref.	<b>Controller Assembly: (Service Replacement - USA Built Machines S/N 0300087000 to S/N 0300146184 &amp; China Built Machines S/N B300000100 to S/N B300000251) (Original Equipment - USA Built Machines S/N 0300146184 to Present &amp; China Built Machines S/N B300000251 to Present)</b>	C
		Ref.	<b>Note: Was p/n 1001118417 Assembly - Use p/n 1001129555 Kit as replacement.</b>	
101	70002730	1	Gasket	
102	7003928	1	Spring	
103	7022808	1	Cap, Lift	
104	70002731	1	Boot	

## SECTION 4 PLATFORM

**FIGURE 4-4. CONTROLLER ASSEMBLY (LIFT AND SWING) (CONTINUED)**

ITEM #	PART NUMBER	QTY.	DESCRIPTION	REV.
105	70002732	4	Screw	
106	7022815	1	Bezel	
107	70002733	1	Adapter	
108	70002734	4	Screw	
109	70002735	1	Can, Enclosure	
110	70002906	1	Cap	
111	Use 1001129555	1	Mechanical Assembly ( <b>Note: Not Available for Purchase</b> )	
112	7022819	1	Plug, Male 8 Position (Natural) (Not Shown)	
	4460871	6	Socket, Female	

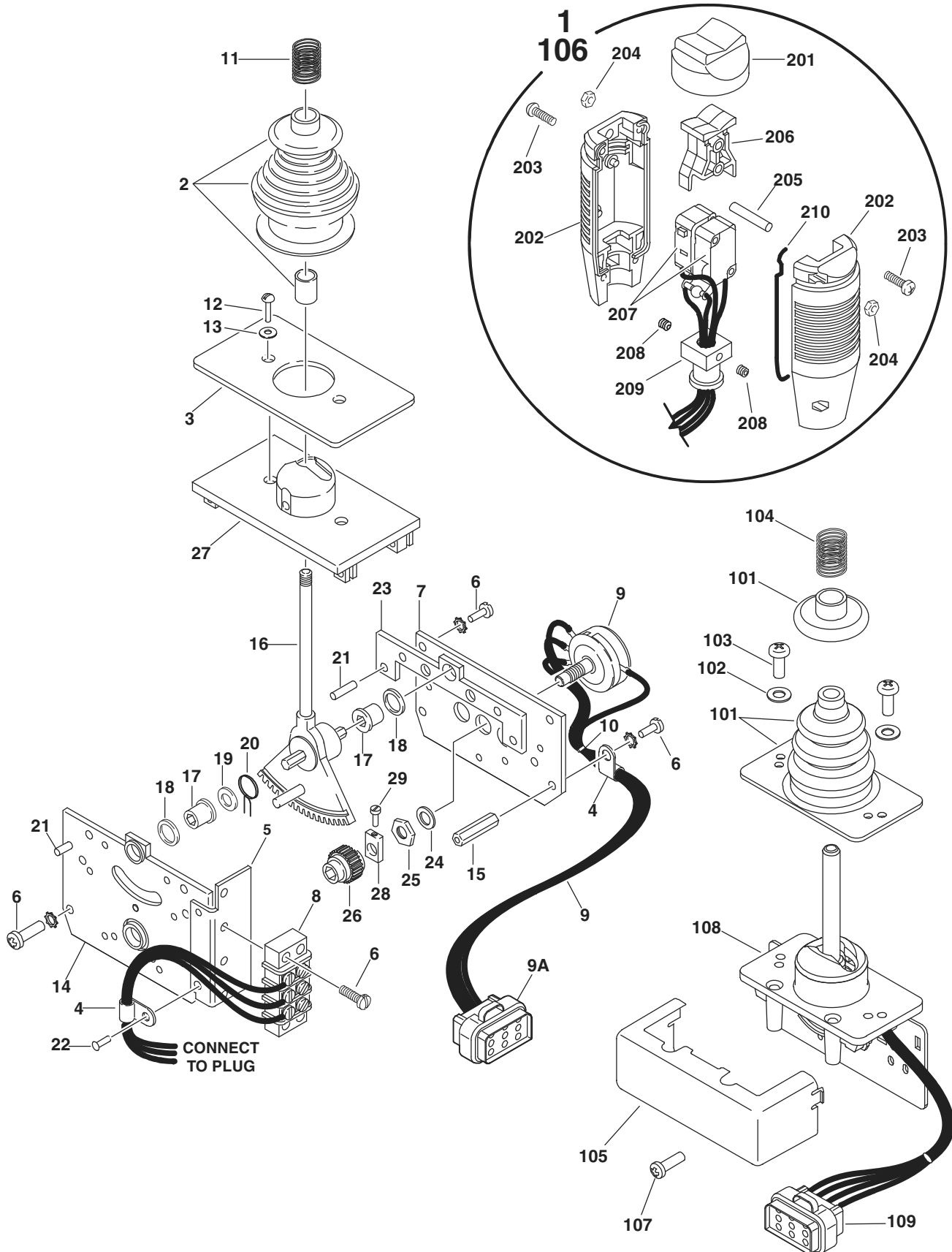
**SECTION 4 PLATFORM**

**FIGURE 4-4. CONTROLLER ASSEMBLY (LIFT AND SWING) (CONTINUED)**

ITEM #	PART NUMBER	QTY.	DESCRIPTION	REV.

# SECTION 4 PLATFORM

FIGURE 4-5. CONTROLLER ASSEMBLY (DRIVE AND STEER)



## SECTION 4 PLATFORM

**FIGURE 4-5. CONTROLLER ASSEMBLY (DRIVE AND STEER)**

ITEM #	PART NUMBER	QTY.	DESCRIPTION	REV.
		Ref.	<b>CONTROLLER ASSEMBLY</b>	
	1600318	Ref.	<b>Controller Assembly (Original Equipment) (USA Built Machines S/N 030008700 to S/N 0300146184 &amp; China Built Machines S/N B300000100 to S/N B300000251)</b>	C
1	7022812	1	Handle Assembly (See Items 201-210 for Breakdown)	
2	7019161	1	Boot and Sleeve	
3	7003933	1	Gasket	
4	7019154	2	Clamp, Wire	
5	7022823	1	Bracket, Mounting	
6	7003994	1	Screw	
7	7022822	1	Plate, Pot Mounting	
8	7003986	1	Strip, Terminal - 3 Position	
9	7022824	1	Electric Assembly	
9A	Use 1001113961	1	Plug, Male - 8 Position (Black) (was p/n 7022825)	
	4460871	7	Socket, Female	
10	7019151	A/R	Tie-Strap	
11	7019162	1	Spring	
12	7003969	2	Screw	
13	7003941	2	Washer	
14	See Note	1	Plate, Mounting (Left Side) <b>(Note: Not Available for Purchase)</b>	
15	7019115	2	Stand-Off	
16	7019155	1	Shaft 8mm	
17	7019111	2	Bearing	
18	7019110	2	Spacer, Head Gear	
19	7019112	1	Washer	
20	7003946	1	Spring, Return	
21	7019103	4	Pin	
22	See Note	1	<b>Rivet (Note: Not Available - Purchase Locally)</b>	
23	7019168	1	Plate, Mounting (Right Side)	
24	7003992	1	Washer	
25	7003993	1	Nut	
26	7003935	1	Gear, Slave	
27	7019160	1	Plate, Base	
28	7019114	1	Coupling, Potentiometer	
29	See Note	1	Cup Point Screw <b>(Note: Not Available for Purchase)</b>	
	1001118416	Ref.	<b>Controller Assembly: (Service Replacement - USA Built Machines S/N 0300087000 to S/N 0300146184 &amp; China Built Machines S/N B300000100 to S/N B300000251) (Original Equipment - USA Built Machines S/N 0300146184 to Present &amp; China Built Machines S/N B300000251 to Present)</b>	A
101	70002724	1	Boot & Control Lock Assembly	
102	7003941	2	Washer	
103	70002725	2	Screw	
104	7019162	1	Spring	
105	70002726	1	Enclosure	
106	70002727	1	Handle Assembly (See Items 201-210 for Breakdown)	
107	70002728	1	Screw	



# SECTION 4 PLATFORM

**FIGURE 4-5. CONTROLLER ASSEMBLY (DRIVE AND STEER) (CONTINUED)**

ITEM #	PART NUMBER	QTY.	DESCRIPTION	REV.
108	Use 1001118416	1	Mechanical Assembly ( <b>Note: Not Available for Purchase</b> )	
109	7022825	1	Plug, Male - 8 Position (Black)	
	4460871	7	Socket, Female	
		Ref.	<b>HANDLE ASSEMBLY</b>	
	7022812	Ref.	<b>Controller Assembly p/n 16000318</b>	
	70002727	Ref.	<b>Controller Assembly p/n 1001118416</b>	
201	7003972	1	Boot, Switch	
202	7003973	2	Half, Handle	
203	7003980	4	Screw	
204	7019167	4	Nut	
205	7019164	1	Axle	
206	7019165	1	Rocker	
207		1	Wiring Assembly	
	See Note		Wiring for Controller Assy p/n 16000318 ( <b>Note: Not Available for Purchase</b> )	
	70002729		Wiring for Controller Assy p/n 1001118416	
		2	Switch, Micro Options:	
	7019166		Switch for Controller Assy p/n 16000318	
	7003982		Switch for Controller Assy p/n 1001118416	
208	7003983	2	Setscrew	
209	7019194	1	Coupling	
210	7003989	2	Gasket	

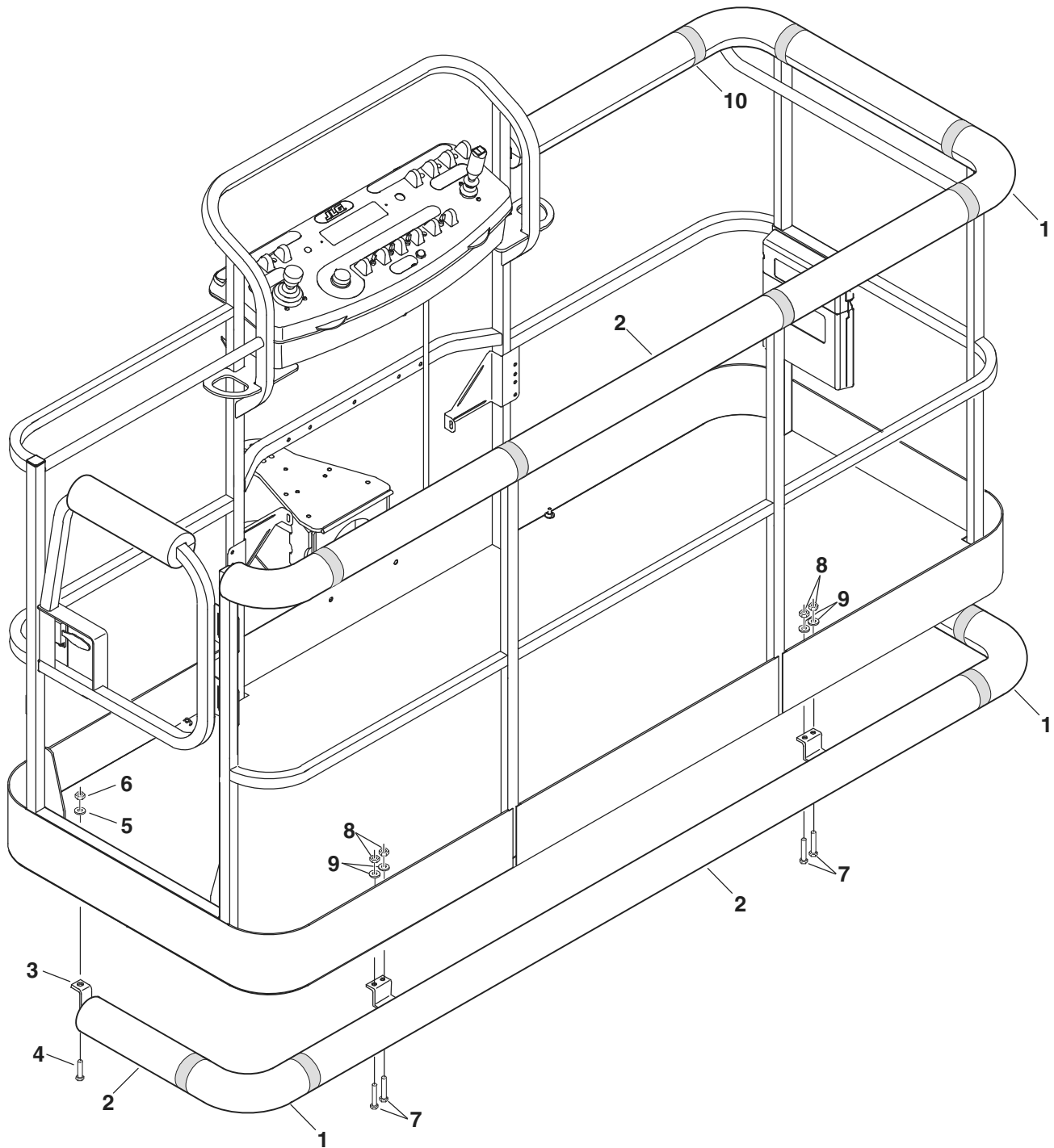
**SECTION 4 PLATFORM**

**FIGURE 4-5. CONTROLLER ASSEMBLY (DRIVE AND STEER) (CONTINUED)**

ITEM #	PART NUMBER	QTY.	DESCRIPTION	REV.

## SECTION 4 PLATFORM

FIGURE 4-6. PLATFORM PADDING INSTALLATION (30in/76cm DEPTH PLATFORMS) (OPTIONAL)



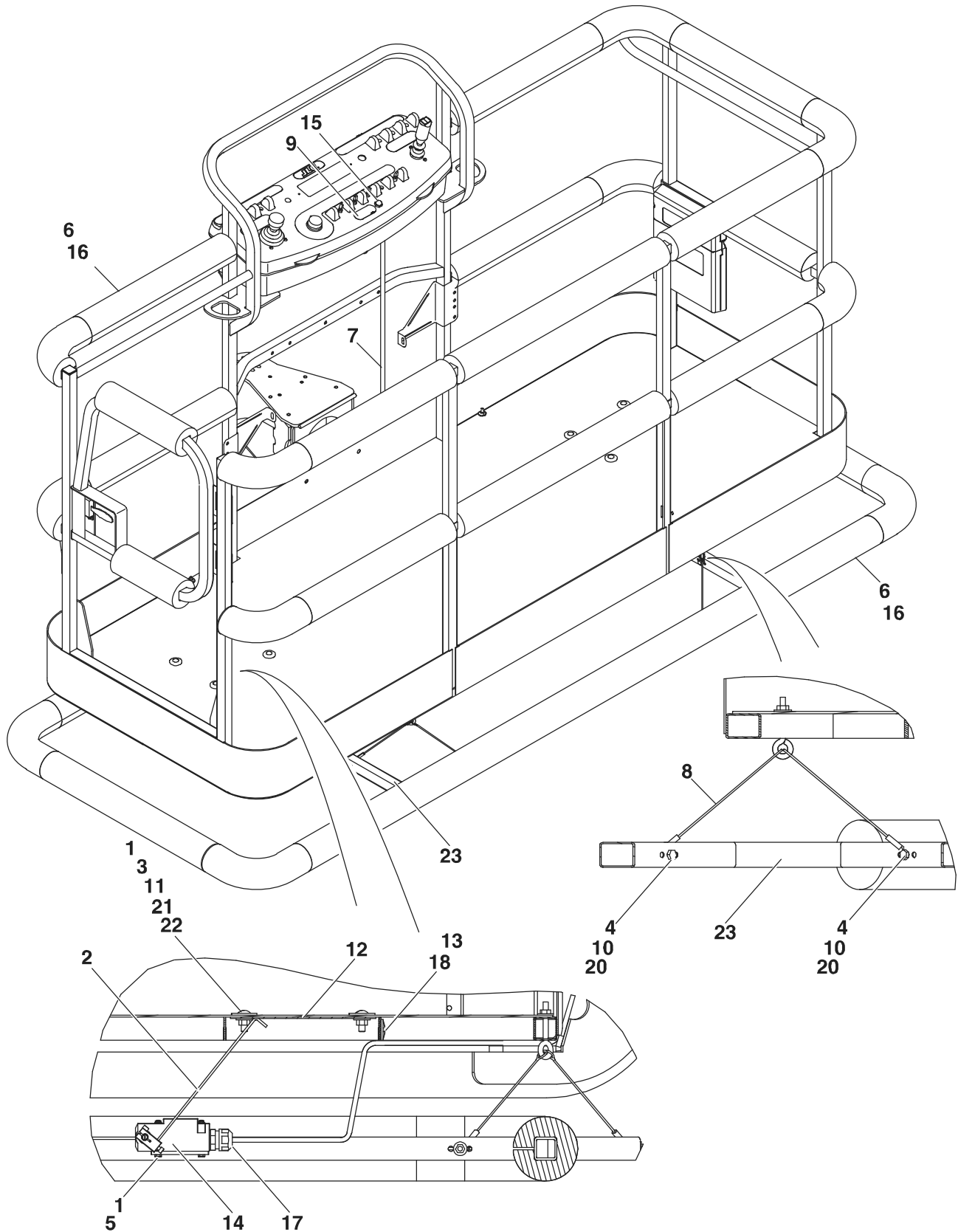
## SECTION 4 PLATFORM

**FIGURE 4-6. PLATFORM PADDING INSTALLATION (30IN/76CM DEPTH PLATFORMS)  
(OPTIONAL)**

ITEM #	PART NUMBER	QTY.	DESCRIPTION	REV.
	0273542	Ref.	<b>PADDING INSTALLATION (30 X 48 SIDE ENTRY PLATFORM)</b>	A
1	0940092	4	Bumper, Pad (Corner)	
2	0940094	9ft/2.7m	Bumper, Pad (Square Tubing)	
3	0940131	1	Bumper, Rail	
4	0641516	2	Bolt 5/16in-18NC x 2in	
5	4751500	2	Flatwasher 5/16in Regular	
6	3311505	2	Locknut 5/16in-18NC	
7	0641813	4	Bolt 1/2in-13NC x 1-5/8in	
8	3311805	4	Locknut 1/2in-13NC	
9	4891800	4	Flatwasher 1/2in Hardened	
10	4420068	30ft/9.1m	Tape	

# SECTION 4 PLATFORM

FIGURE 4-7. SOFT TOUCH SYSTEM INSTALLATION (36in/91.5cm DEPTH PLATFORMS) (OPTIONAL)



## SECTION 4 PLATFORM

**FIGURE 4-7. SOFT TOUCH SYSTEM INSTALLATION (36IN/91.5CM DEPTH PLATFORMS)  
(OPTIONAL)**

ITEM #	PART NUMBER	QTY.	DESCRIPTION	REV.
		Ref.	<b>SOFT TOUCH SYSTEM INSTALLATIONS</b>	
	0273824	Ref.	<b>6ft Platform</b>	B
	0272427	Ref.	<b>8ft Platform</b>	E
	1001108256	Ref.	<b>6Ft/1.8m Platform w/Fall Arrest</b>	A
	0273706	Ref.	<b>8Ft/2.4m Platform w/Fall Arrest</b>	B
1	0100011	A/R	Compound, Locking	
2	0200048	2	Arm, Switch	
3	0630462	8	Bolt, Carriage	
4	0641414	8	Bolt 1/4in-20NC x 1-3/4in	
5		4	Bolt Options:	
	0721005		Bolt #10-24NC x 5/8in	
	0731005		Bolt #10-32NF x 5/8in	
6		1	Bumper Kits (Includes Corners and Enough Straight Material for One Platform)	
	0940134		6ft Platform	
	0940103		8ft Platform	
	0940177		6ft Platform with Fall Arrest	
	0940133		8ft Platform with Fall Arrest	
	0940092		Bumper (Corner) Options:	
		12	6ft/8ft Platform without Fall Arrest	
		8	6ft/8ft Platform with Fall Arrest	
	0940094	A/R	Bumper (12ft Length)	
7	1060341	23ft/7m	Cable, Electrical - 16/2	
8	1060903	4	Wire Rope & Eyebolt Assembly	
9	1702938	1	Decal - Soft Touch Override	
10	3311401	8	Nut 1/4in-20NC	
11	3311501	8	Nut 5/16in-18NC	
12		2	Plate, Switch Strike Options:	
	3575359		6ft Platform	
	3574091		8ft Platform	
13	4240099	7	Tie-Strap	
14	4360057	2	Switch, Limit	
15	4360387	1	Switch, Push Button	
16	4420068	1	Tape, Adhesive	
17	4460049	2	Connector, Strain Relief	
18	4460234	7	Tie-Strap	
19	4460425	1	Connector, Strain Relief	
20	4751400	8	Flatwasher 1/4in Regular	
21	4751500	A/R	Flatwasher 5/16in Regular	
22	4751800	8	Flatwasher 1/2in Regular	
23		1	Rail, Soft Touch Options:	
	3641569		6ft Platform	
	4846673		8ft Platform	
			-----	

## SECTION 4 PLATFORM

**FIGURE 4-7. SOFT TOUCH SYSTEM INSTALLATION (36IN/91.5CM DEPTH PLATFORMS)  
(OPTIONAL) (CONTINUED)**

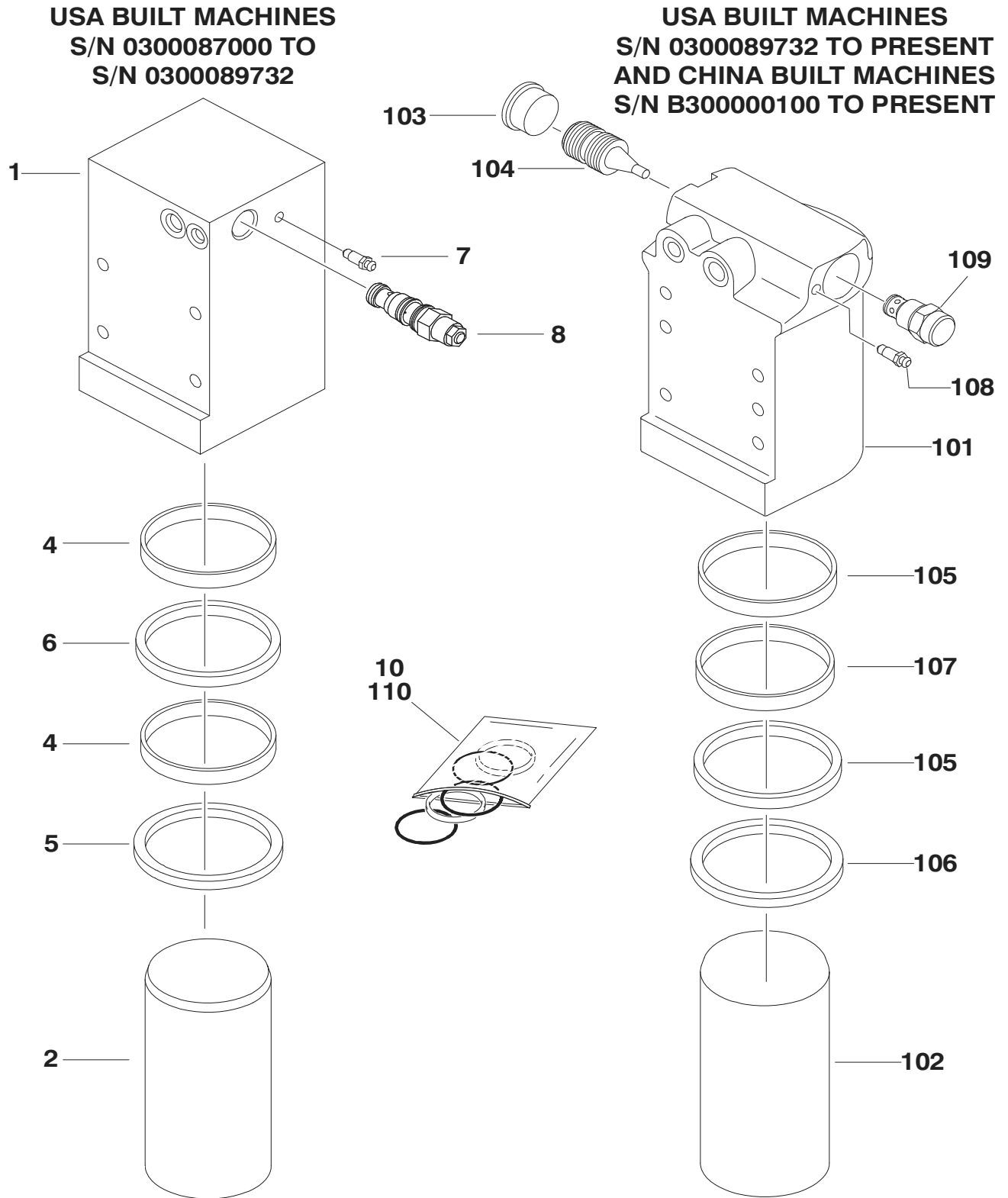
ITEM #	PART NUMBER	QTY.	DESCRIPTION	REV.
24	1001121592 1001121593	1  Ref.	Soft-Touch Installation Kit Options (Not Shown) (Includes Items 2-23):  <b>Note: May not be available for all machines depending on existing options. Contact JLG Parts Dept before ordering.</b> Kit - 6ft Platform without Fall Arrest Kit - 8ft Platform without Fall Arrest	

# **SECTION 5 CYLINDER**



# SECTION 5 CYLINDER

FIGURE 5-1. AXLE LOCKOUT CYLINDER ASSEMBLY



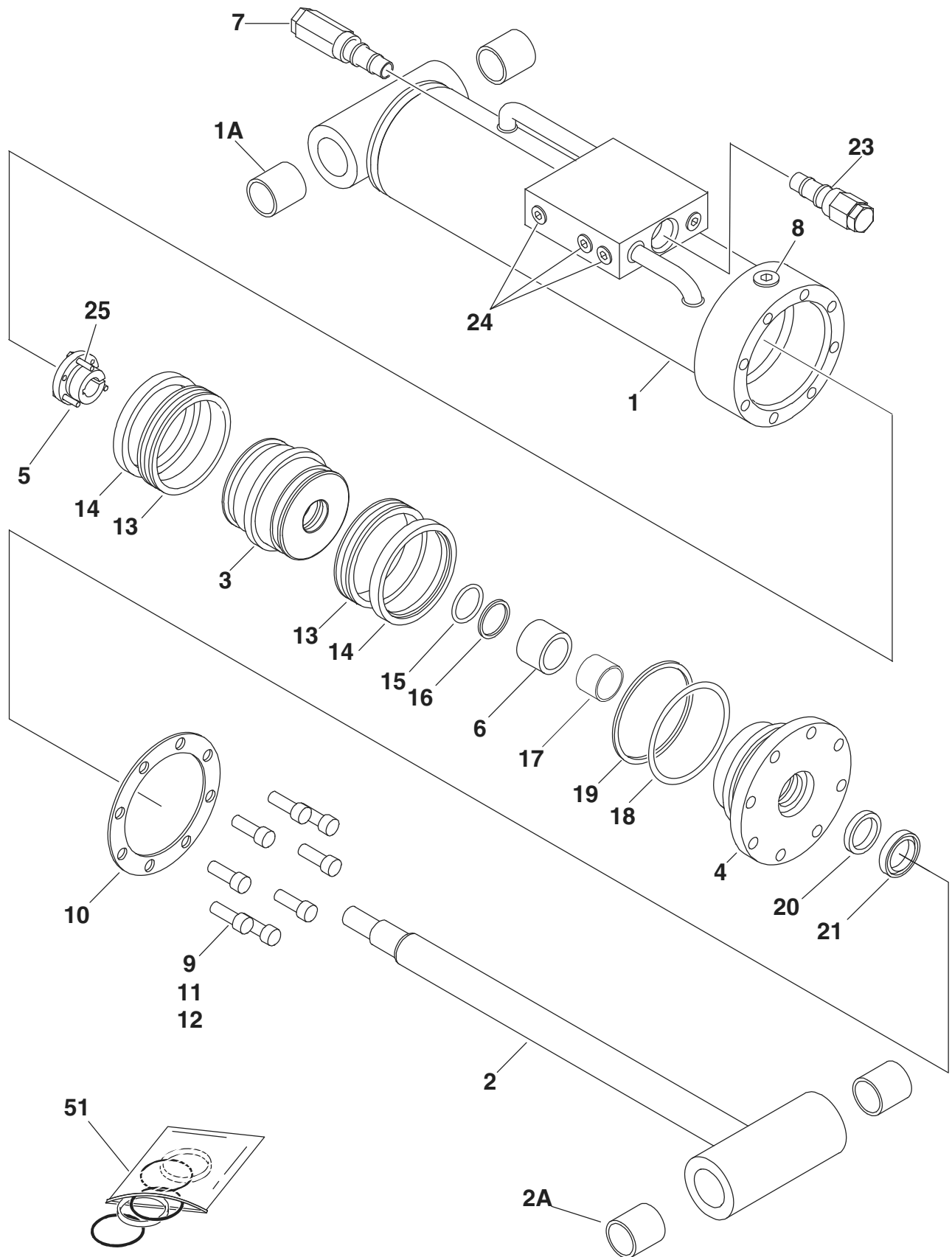
## SECTION 5 CYLINDER

**FIGURE 5-1. AXLE LOCKOUT CYLINDER ASSEMBLY**

ITEM #	PART NUMBER	QTY.	DESCRIPTION	REV.
	1684280	Ref	<b>AXLE LOCKOUT CYLINDER ASSEMBLY (USA BUILT MACHINES S/N 0300087000 TO S/N 0300089732)</b>	F
1	1684289	1	Barrel	
2	1684290	1	Rod	
3	Not Used			
4	Use 2902266	2	Ring, Wear	
5	Use 2902266	1	Wiper	
6	Use 2902266	1	Seal, Rod	
7	4640858	1	Bleeder	
8	4641319	1	Cartridge, Valve	
9	7024879	1	Seal Kit	
9	Not Used			
10	2902266	1	Seal Kit (Includes Items 4-6)	
	1684465	Ref	<b>AXLE LOCKOUT CYLINDER ASSEMBLY (USA BUILT MACHINES S/N 0300089732 TO PRESENT &amp; CHINA BUILT MACHINES S/N B300000100 TO PRESENT)</b>	E
101	0370026	1	Barrel	
102	1684290	1	Rod	
103	2220890	1	Plug	
104	3480288	1	Piston, Pilot	
105	Use 2902266	2	Ring, Wear	
106	Use 2902266	1	Wiper	
107	Use 2902266	1	Seal, Rod	
108	4640858	1	Bleeder	
109	4641390	1	Cartridge, Valve	
109	7017496	1	Seal Kit	
110	2902266	1	Seal Kit (Includes Items 4-6)	

# SECTION 5 CYLINDER

FIGURE 5-2. LEVEL CYLINDER ASSEMBLY - PLATFORM



## SECTION 5 CYLINDER

**FIGURE 5-2. LEVEL CYLINDER ASSEMBLY - PLATFORM**

ITEM #	PART NUMBER	QTY.	DESCRIPTION	REV.
	1683415	Ref	<b>PLATFORM LEVEL CYLINDER ASSEMBLY - 600A</b>	E
	1683418	Ref.	<b>PLATFORM LEVEL CYLINDER ASSEMBLY - 600AJ (WITHOUT ARCTIC PACKAGE)</b>	G
	1001138798	Ref.	<b>PLATFORM LEVEL CYLINDER ASSEMBLY - 600AJ (WITH ARCTIC PACKAGE)</b>	A
1	1683952	1	Barrel Weldment ( <b>Note: Item 1A not included - Purchase Separately</b> )	
1A		2	Bushing, Garmax Options:	
	0961947		600A - Garmax	
	0961951		600AJ - Composite	
2		1	Rod Weldment Options:	
	1683976		600A ( <b>Note: Includes Item 2A</b> )	
	1683963		600AJ ( <b>Note: Item 2A not included - Purchase Separately</b> )	
2A		2	Bushing, Garmax Options:	
	0961947		600A - Garmax	
	0961951		600AJ - Composite	
3		1	Piston Options:	
	3480210		600A	
	3480188		600AJ	
4		1	Head Options:	
	1683053		600A	
	1683055		600AJ	
5		1	Bushing, Tapered (Includes Item 25) Options:	
	0961893		600A	
	0961894		600AJ	
6	4566468	1	Spacer	
7	4640509	1	Cartridge, Valve	
	2900792	1	Seal Kit - 4640509 Valve	
8	2220885	1	Plug, O-Ring	
9		8	Capscrew, Socket Head Options:	
	3931516		600A - Capscrew 5/16in-18NC x 1in	
	3931620		600AJ - Capscrew 3/8in-16NC x 1-1/4in	
10		1	Ring, Washer Options:	
	3760368		600A	
	3760369		600AJ	
11	0100011	A/R	Compound, Locking	
12	0100038	A/R	Primer, Locking	
13	See Note	2	Seal ( <b>Note: Use Item 51</b> )	
14	See Note	2	Ring, Lock ( <b>Note: Use Item 51</b> )	
15	See Note	1	O-Ring ( <b>Note: Use Item 51</b> )	
16	See Note	1	Ring, Back-up ( <b>Note: Use Item 51</b> )	
17	See Note	1	Ring, Wear ( <b>Note: Use Item 51</b> )	
18	See Note	1	O-Ring ( <b>Note: Use Item 51</b> )	
19	See Note	1	Ring, Back-up ( <b>Note: Use Item 51</b> )	
20	See Note	1	Seal, Rod ( <b>Note: Use Item 51</b> )	
21	See Note	1	Wiper ( <b>Note: Use Item 51</b> )	
22	Not Used			

# SECTION 5 CYLINDER

**FIGURE 5-2. LEVEL CYLINDER ASSEMBLY - PLATFORM (CONTINUED)**

ITEM #	PART NUMBER	QTY.	DESCRIPTION	REV.
23	4640932	1	Cartridge, Valve	
	7011112	1	Seal Kit - 4640932 Valve	
24	2220883	8	Plug, O-Ring	
25		3	Bolt Options:	
	0630534		600A - Bolt #10 - 24NC x 1in	
	0630535		600AJ - Bolt 1/4in - 20NC x 1-1/8in	
26 to 50	Not Used			
51		1	Seal Kit Options (Includes Items 13-21):	
	2901303		600A	
	2901301		600AJ without Arctic Package	
	1001138796		600AJ with Arctic Package	

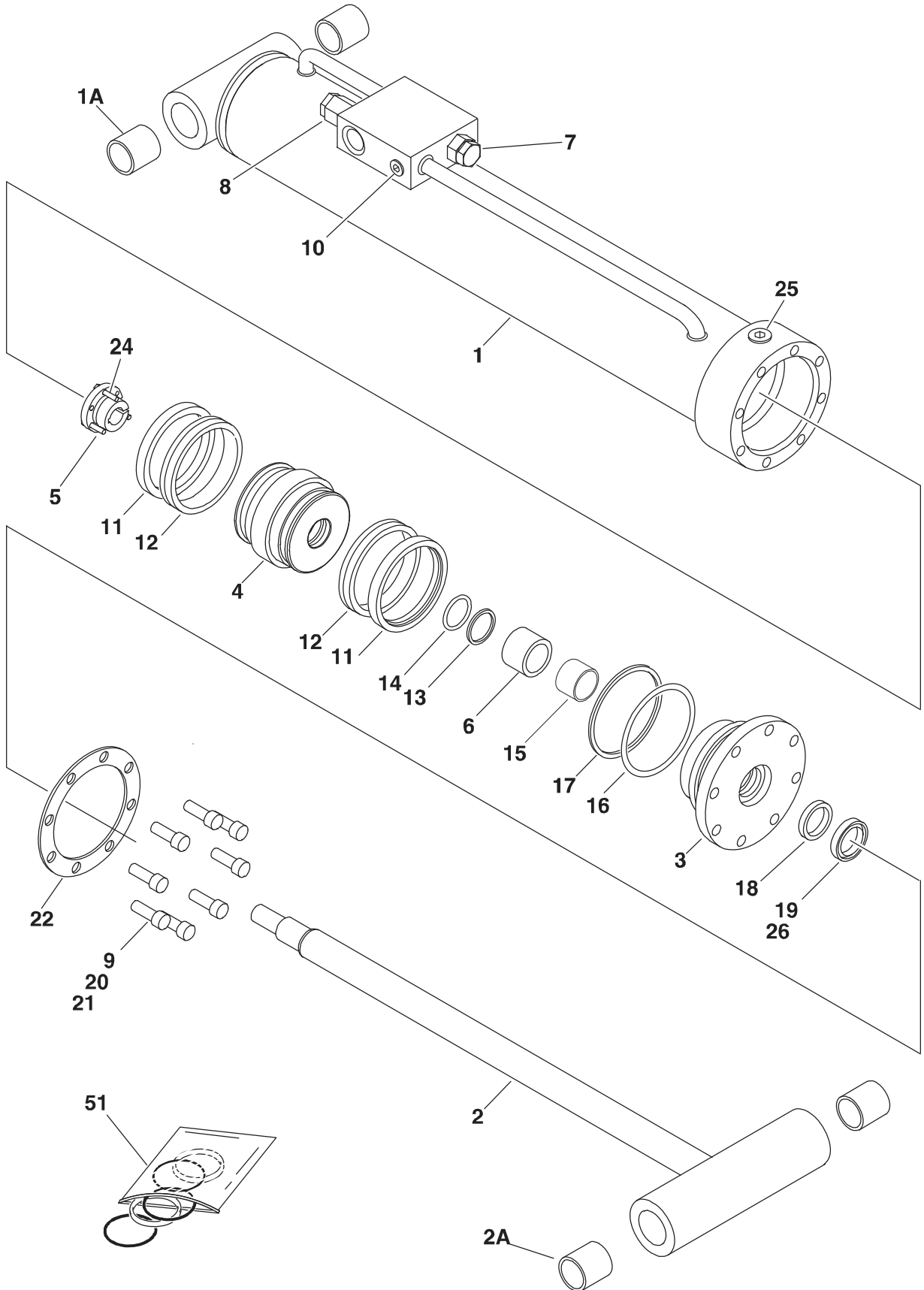
**SECTION 5 CYLINDER**

**FIGURE 5-2. LEVEL CYLINDER ASSEMBLY - PLATFORM (CONTINUED)**

ITEM #	PART NUMBER	QTY.	DESCRIPTION	REV.

# SECTION 5 CYLINDER

## FIGURE 5-3. LEVEL CYLINDER ASSEMBLY - UPRIGHT



## SECTION 5 CYLINDER

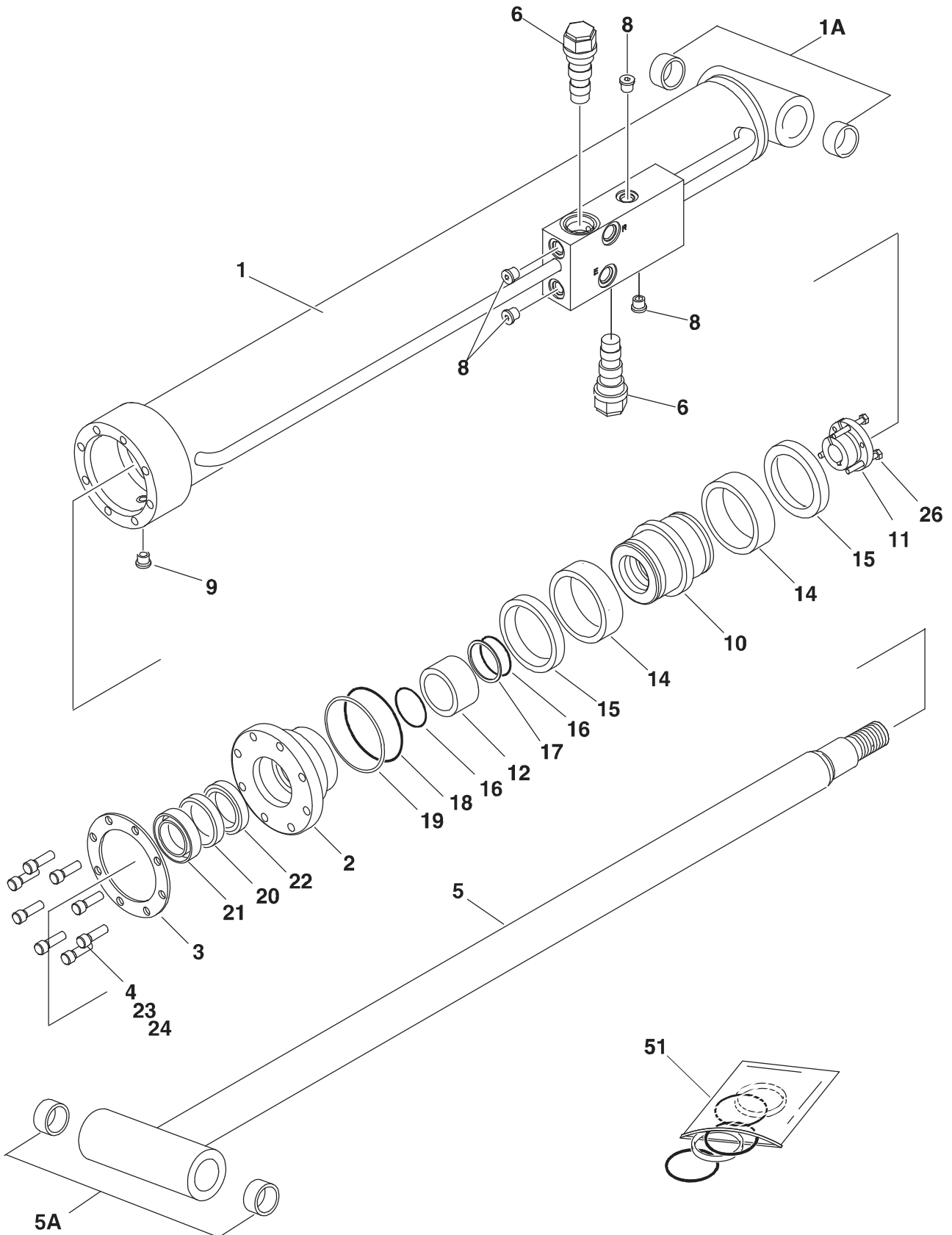
**FIGURE 5-3. LEVEL CYLINDER ASSEMBLY - UPRIGHT**

ITEM #	PART NUMBER	QTY.	DESCRIPTION	REV.
		Ref.	<b>UPRIGHT LEVEL CYLINDER ASSEMBLY</b>	
	1683299	Ref.	<b>USA Built Machines S/N 0300087000 to S/N 0300097638</b>	H
	1684498	Ref.	<b>USA Built Machines S/N 0300097638 to Present</b>	C
	1684498	Ref.	<b>China Built Machines S/N B300000100 to Present</b>	C
		Ref.	<b>Note: Original Equipment components may have been replaced with Service Replacement components part. Identify p/n stamped on cylinder before ordering parts.</b>	
1	Use 0370035	1	Barrel Weldment USA Built Machines S/N 0300087000 to S/N 0300097638 (was p/n 1684014)	
	0370035		USA Built Machines S/N 0300097638 to Present	
	0370035		China Built Machines S/N B300000100 to Present	
1A	0961949	2	Bushing, Composite	
2	1684015	1	Rod Weldment	
2A	0961949	2	Bushing, Composite	
3	1683067	1	Head	
4	3480206	1	Piston	
5	0961898	1	Bushing, Tapered (Use item #24 in place of supplied bolts)	
6	4566501	1	Spacer, Tube	
7	4640509	1	Cartridge, Valve	
	2900792	1	Seal Kit - 4640509 Valve	
8	4640605	1	Cartridge, Valve	
	2900792	1	Seal Kit - 4640605 Valve	
9	3932032	8	Bolt, Socket Head 5/16in-11NC x 2in	
10	2220883	2	Plug, O-Ring	
11	See Note	2	Ring, Lock ( <b>Note: Use Item 51</b> )	
12	See Note	2	Seal, Hydrolock ( <b>Note: Use Item 51</b> )	
13	See Note	1	O-Ring ( <b>Note: Use Item 51</b> )	
14	See Note	2	Ring, Back-up ( <b>Note: Use Item 51</b> )	
15	See Note	1	Ring, Wear ( <b>Note: Use Item 51</b> )	
16	See Note	1	O-Ring ( <b>Note: Use Item 51</b> )	
17	See Note	1	Ring, Back-up ( <b>Note: Use Item 51</b> )	
18	See Note	1	Seal, Rod ( <b>Note: Use Item 51</b> )	
19	See Note	1	Wiper ( <b>Note: Use Item 51</b> )	
20	0100011	A/R	Compound, Locking	
21	0100038	A/R	Primer, Locking	
22	3760372	1	Washer, Ring	
23	Not Used			
24	0630536	3	Bolt 3/8in-16NC x 1-1/2in	
25	2220886	1	Plug, O-Ring	
26	0100063	A/R	Adhesive	
27 to 50	Not Used			
51	2901285	1	Seal Kit (Includes Items 11-19)	



# SECTION 5 CYLINDER

## FIGURE 5-4. LIFT CYLINDER ASSEMBLY - ARTICULATING JIB



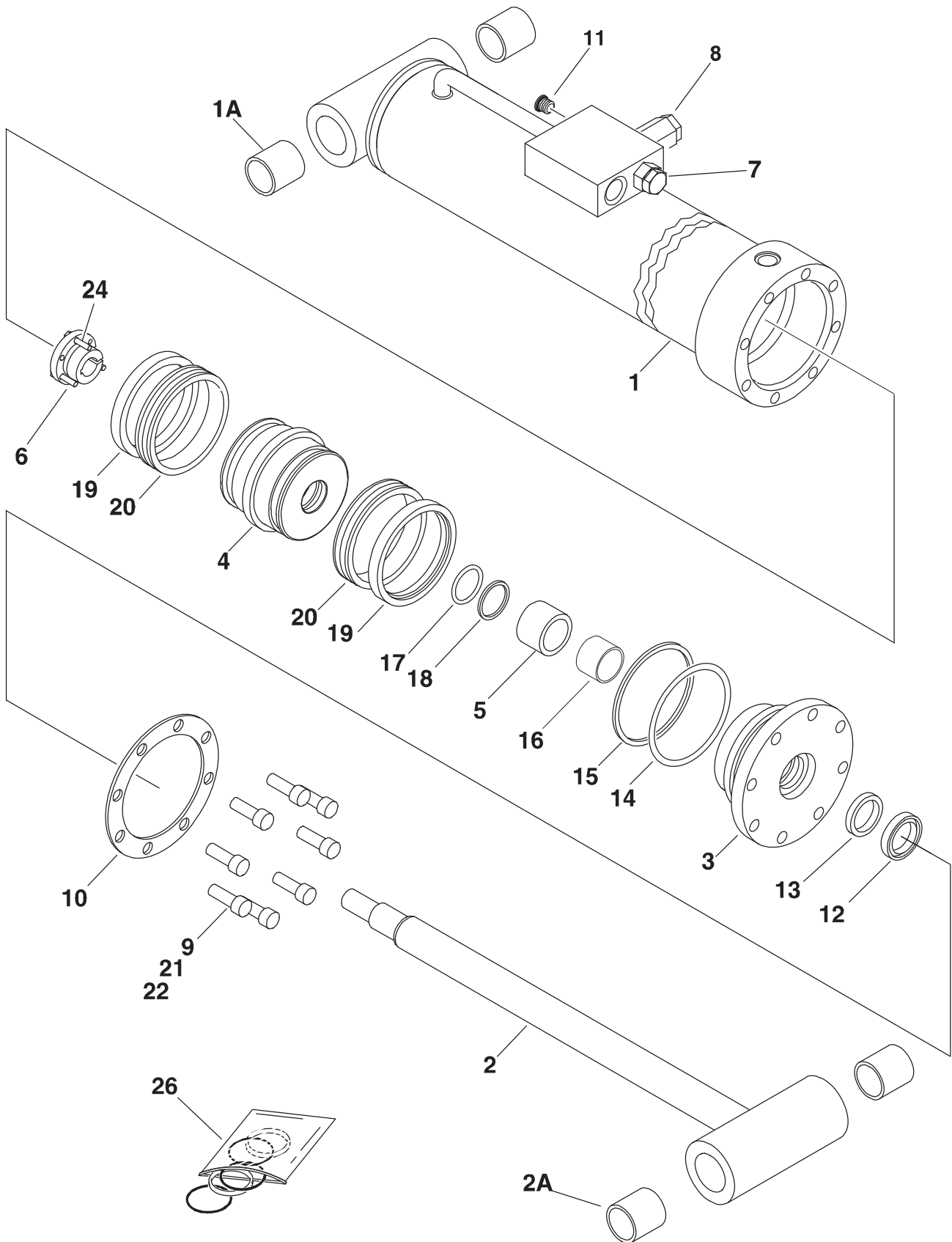
## SECTION 5 CYLINDER

**FIGURE 5-4. LIFT CYLINDER ASSEMBLY - ARTICULATING JIB**

ITEM #	PART NUMBER	QTY.	DESCRIPTION	REV.
	1683609	Ref.	<b>LIFT CYLINDER ASSEMBLY - 600AJ (WITHOUT ARCTIC PACKAGE)</b>	I
	1001128792	Ref.	<b>LIFT CYLINDER ASSEMBLY - 600AJ (WITH ARCTIC PACKAGE)</b>	A
1	1684089	1	Barrel	
1A	0962336	2	Bushing	
2	1683053	1	Head	
3	3760368	1	Ring, Washer	
4	3931516	8	Capscrew, Socket Head 5/16in-18NC x 1in	
5	1684090	1	Rod	
5A	0962336	2	Bushing	
6	4640509	2	Cartridge, Valve	
	2900792	2	Seal Kit - 4640509 Valve	
7	Not Used			
8	2220883	2	Plug, O-Ring #4	
9	2220885	1	Plug, O-Ring #6	
10	3480210	1	Piston	
11	0961893	1	Bushing, Tapered	
12	4100100	1	Spacer, Tube	
13	Not Used			
14	See Note	2	Seal ( <b>Note: Use Item 51</b> )	
15	See Note	2	Ring, Lock ( <b>Note: Use Item 51</b> )	
16	See Note	2	O-Ring ( <b>Note: Use Item 51</b> )	
17	See Note	2	Ring, Back-Up ( <b>Note: Use Item 51</b> )	
18	See Note	1	O-Ring ( <b>Note: Use Item 51</b> )	
19	See Note	1	Ring, Back-Up ( <b>Note: Use Item 51</b> )	
20	See Note	1	Seal, Rod ( <b>Note: Use Item 51</b> )	
21	See Note	1	Wiper ( <b>Note: Use Item 51</b> )	
22	See Note	1	Ring, Wear ( <b>Note: Use Item 51</b> )	
23	0100011	A/R	Compound, Locking	
24	0100038	A/R	Primer, Locking	
25	Not Used			
26	0630534	3	Bolt #10 - 24NC x 1in	
27 to 50	Not Used			
51		1	Seal Kit Options (Includes Items 14-22):	
	2901303		Without Arctic Package	
	1001138795		With Arctic Package	

# SECTION 5 CYLINDER

## FIGURE 5-5. LIFT CYLINDER ASSEMBLY - MAIN BOOM



## SECTION 5 CYLINDER

**FIGURE 5-5. LIFT CYLINDER ASSEMBLY - MAIN BOOM**

ITEM #	PART NUMBER	QTY.	DESCRIPTION	REV.
	1683294	Ref.	<b>LIFT CYLINDER ASSEMBLY - MAIN BOOM</b>	H
1	1684001	1	Barrel	
1A	0961948	2	Bushing, Composite	
2	1684005	1	Rod	
2A	0961948	2	Bushing, Garmax	
3	1683061	1	Head	
4	3480211	1	Piston	
5	4566408	1	Spacer	
6	0961897	1	Bushing, Tapered	
7	4640438	1	Cartridge, Valve	
	2900770	1	Seal Kit - 4640438 Valve	
8	4640509	1	Cartridge, Valve	
	2900792	1	Seal Kit - 4640509 Valve	
9	3931720	8	Capscrew, Socket Head 7/16in-14NC x 1-1/4in	
10	3760370	1	Ring, Washer	
11	2220883	1	Plug, O-Ring #6	
12	Use 2901273	1	Wiper	
13	Use 2901273	1	Seal, Rod	
14	Use 2901273	1	O-Ring	
15	Use 2901273	1	Ring, Back-up	
16	Use 2901273	2	Ring, Wear	
17	Use 2901273	1	O-Ring	
18	Use 2901273	2	Ring, Back-Up	
19	Use 2901273	1	Ring, Lock	
20	Use 2901273	1	Seal	
21	0100011	A/R	Compound, Locking	
22	0100038	A/R	Primer, Locking	
23	Not Used			
24	0630535	3	Bolt 1/4in-20NC x 1-1/8in	
25	Not Used			
26	2901273	1	Seal Kit (Includes Items 12-20)	



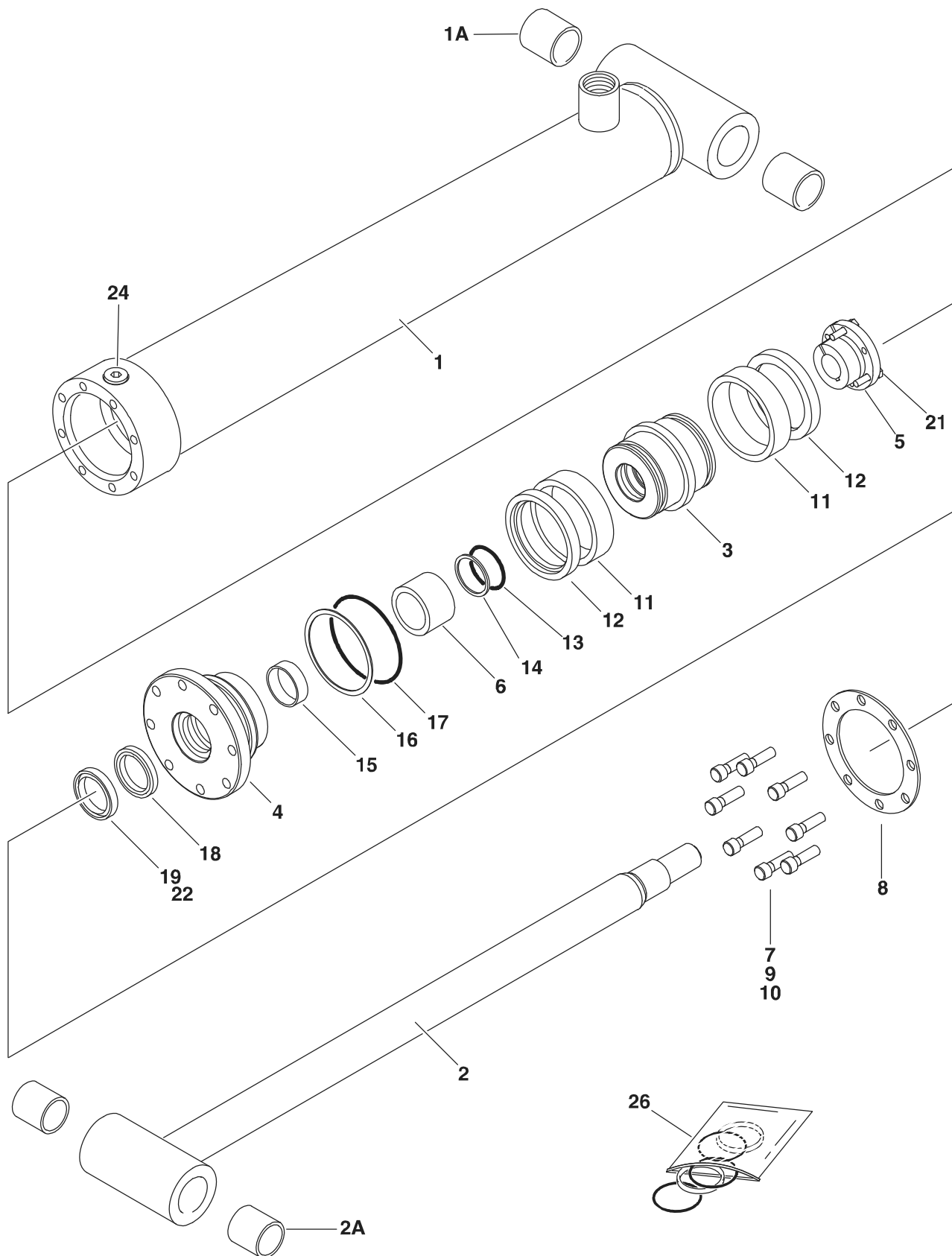
## SECTION 5 CYLINDER

**FIGURE 5-6. LIFT CYLINDER ASSEMBLY - TOWER BOOM**

ITEM #	PART NUMBER	QTY.	DESCRIPTION	REV.
	1683288	Ref.	<b>LIFT CYLINDER ASSEMBLY - TOWER BOOM</b>	M
1	1684017	1	Barrel	
1A	0961949	2	Bushing, Composite	
2	1684019	1	Rod	
2A	0961949	2	Bushing, Composite	
3	3480216	1	Piston	
4	1683069	1	Head	
5	0961899	1	Bushing, Tapered	
6	4566667	1	Spacer	
7	4640605	1	Cartridge, Valve	
	2900792	1	Seal Kit - 4640605	
8	2220888	1	Plug, O-Ring #12	
9	3760384	1	Ring, Washer	
10	3932240	8	Capscrew, Socket Head 3/4in-10NC x 2-1/2in	
11	0100011	A/R	Compound, Locking	
12	0100038	A/R	Primer, Locking	
13	Use 2901322	2	Seal	
14	Use 2901322	2	Ring, Lock	
15	Use 2901322	1	O-Ring	
16	Use 2901322	1	Ring, Back-Up	
17	Use 2901322	3	Ring, Wear	
18	Use 2901322	1	O-Ring	
19	Use 2901322	1	Ring, Back-Up	
20	Use 2901322	1	Seal, Rod	
21	Use 2901322	1	Wiper	
22	Not Used			
23	2220883	2	Plug, O-Ring #4	
24	4640509	1	Counterbalance	
	2900792	1	Seal Kit - 4640509	
25	0630536	3	Bolt 3/8in-16NC x 1-1/2in	
26	0100063	A/R	Adhesive	
27 to 50	Not Used			
51	2901322	1	Seal Kit (Includes Items 13-21)	

# SECTION 5 CYLINDER

## FIGURE 5-7. MASTER CYLINDER ASSEMBLY



## SECTION 5 CYLINDER

**FIGURE 5-7. MASTER CYLINDER ASSEMBLY**

ITEM #	PART NUMBER	QTY.	DESCRIPTION	REV.
	1683266	Ref.	<b>MASTER CYLINDER ASSEMBLY - 600A</b>	F
	1683263	Ref.	<b>MASTER CYLINDER ASSEMBLY - 600AJ WITHOUT ARCTIC PACKAGE</b>	I
	1001138799	Ref.	<b>MASTER CYLINDER ASSEMBLY - 600AJ WITH ARCTIC PACKAGE</b>	A
1	1683972	1	Barrel Options: 600A ( <b>Note: Includes Item 1A</b> )	
	1683949		600AJ ( <b>Note: Item 1A not included - Purchase Separately</b> )	
1A	0961947	2	Bushing Options: 600A - Bushing, Garmax	
	0961951		600AJ - Bushing, Composite	
2	1683973	1	Rod Options: 600A ( <b>Note: Includes Item 2A</b> )	
	1683962		600AJ ( <b>Note: Item 2A not included - Purchase Separately</b> )	
2A	0961947	2	Bushing Options: 600A - Bushing, Garmax	
	0961951		600AJ - Bushing, Composite	
3	3480210	1	Piston Options: 600A	
	3480188		600AJ	
4	1683053	1	Head Options: 600A	
	1683055		600AJ	
5	0961893	1	Bushing, Tapered Options (Use item 21 in place of supplied bolts): 600A	
	0961894		600AJ	
6	4566468	1	Spacer	
7	3931516	8	Capscrew, Socket Head Options: 600A - Capscrew, Socket Head 5/16in-18NC x 1in	
	3931620		600AJ - Capscrew, Socket Head 3/8in-16NC x 1-1/4in	
8	3760368	1	Ring, Washer Options: 600A	
	3760369		600AJ	
9	0100011	A/R	Compound, Locking	
10	0100038	A/R	Primer, Locking	
11	See Note	2	Seal ( <b>Note: Use Item 26</b> )	
12	See Note	2	Ring, Lock ( <b>Note: Use Item 26</b> )	
13	See Note	1	O-Ring ( <b>Note: Use Item 26</b> )	
14	See Note	1	Ring, Back-Up ( <b>Note: Use Item 26</b> )	
15	See Note	1	Ring, Wear ( <b>Note: Use Item 26</b> )	
16	See Note	1	O-Ring ( <b>Note: Use Item 26</b> )	
17	See Note	1	Ring, Back-Up ( <b>Note: Use Item 26</b> )	
18	See Note	1	Seal, Rod ( <b>Note: Use Item 26</b> )	
19	See Note	1	Wiper ( <b>Note: Use Item 26</b> )	
20	Not Used			
21	0630534	3	Bolt Options: 600A - Bolt #10 - 24NC x 1in	
	0630535		600AJ - Bolt 1/4in-20NC x 1-1/8in	



# SECTION 5 CYLINDER

**FIGURE 5-7. MASTER CYLINDER ASSEMBLY (CONTINUED)**

ITEM #	PART NUMBER	QTY.	DESCRIPTION	REV.
22	0100063	A/R	Adhesive	
23	Not Used			
24	2220885	1	Plug, O-Ring #6 (600AJ Only)	
25	Not Used			
26		1	Seal Kit Options (Includes Items 11-19):	
	2901303		600A	
	2901301		600AJ without Arctic Package	
	1001138796		600AJ with Arctic Package	

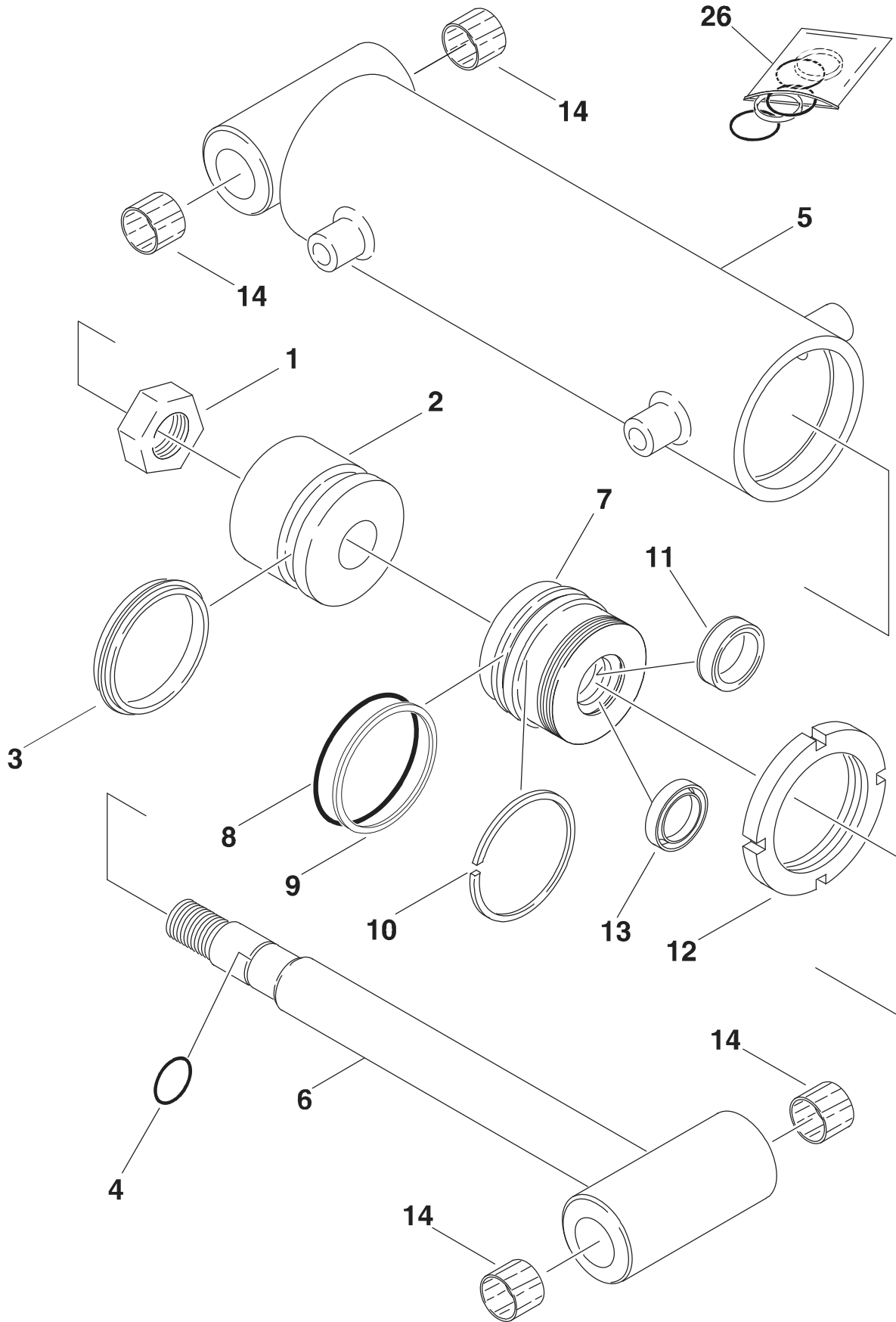
**SECTION 5 CYLINDER**

**FIGURE 5-7. MASTER CYLINDER ASSEMBLY (CONTINUED)**

ITEM #	PART NUMBER	QTY.	DESCRIPTION	REV.

# SECTION 5 CYLINDER

## FIGURE 5-8. STEER CYLINDER ASSEMBLY



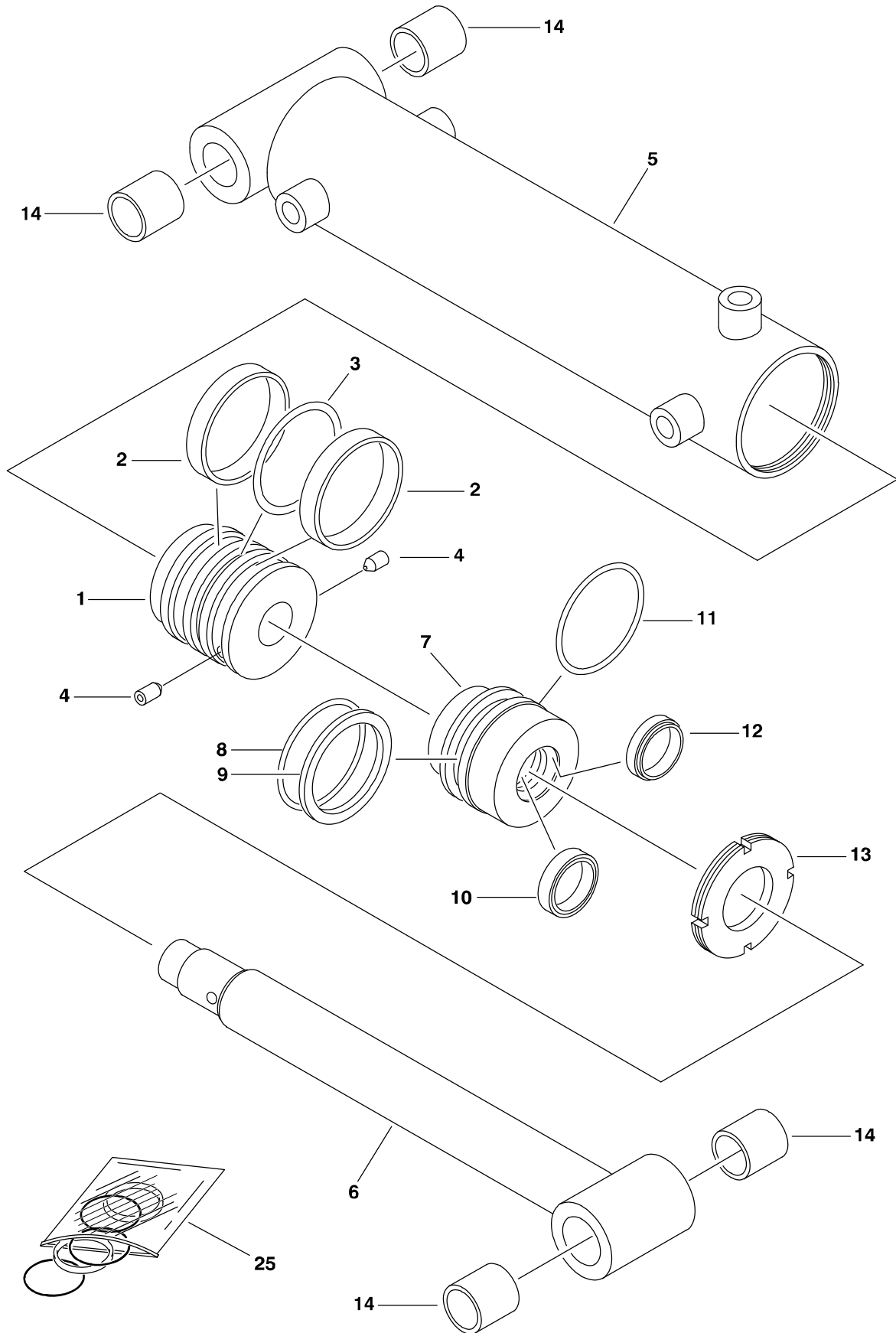
## SECTION 5 CYLINDER

**FIGURE 5-8. STEER CYLINDER ASSEMBLY**

ITEM #	PART NUMBER	QTY.	DESCRIPTION	REV.
		Ref	<b>STEER CYLINDER ASSEMBLIES</b>	
		Ref	<b>8ft/2.4m Width Machines</b>	
	1683208	Ref	<b>USA Built Machines S/N 0300087000 to S/N 0300142625</b>	D
	See Next Figure	Ref	<b>USA Built Machines S/N 0300142625 to Present</b>	
	See Next Figure	Ref	<b>China Built Machines S/N B300000100 to Present</b>	
	1684418	Ref.	<b>7ft/2.1m Width Machines</b>	A
1	7001626	1	Locknut	
2	7001627	1	Piston	
3	Use 7001625	1	Seal	
4	Use 7001625	1	O-Ring	
5	See Note	1	Barrel ( <b>Note: Not Available for Purchase</b> )	
6		1	Rod Options:	
	7001633		8ft/2.4m Width Machines	
	7023038		7ft/2.1m Width Machines	
7	7001629	1	Guide	
8	Use 7001625	1	O-Ring	
9	Use 7001625	1	Ring, Back-Up	
10	Use 7001625	1	Ring, Retaining	
11	Use 7001625	1	Seal, Lip	
12	7001630	1	Nut, Spanner	
13	Use I7001625	1	Ring, Wiper	
14		4	Bushing Options:	
	0961977		8ft/2.4m Width Machines	
	0961890		7ft/2.1m Width Machines	
15 to 25	Not Used			
26	7001625	1	Seal Kit (Includes Items 3,4,8-11 and 13)	

# SECTION 5 CYLINDER

## FIGURE 5-9. STEER CYLINDER ASSEMBLY



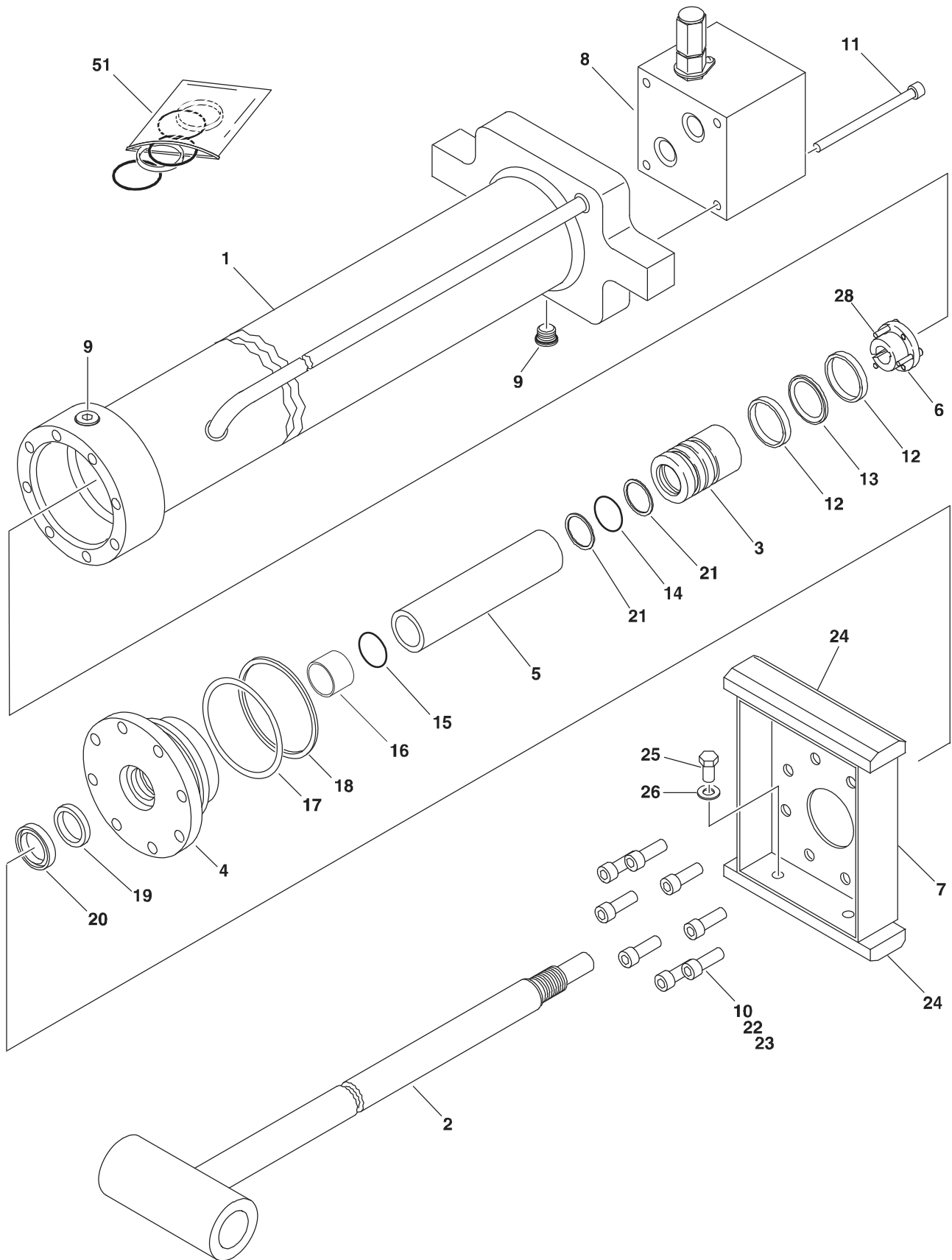
## SECTION 5 CYLINDER

**FIGURE 5-9. STEER CYLINDER ASSEMBLY**

ITEM #	PART NUMBER	QTY.	DESCRIPTION	REV.
		Ref	<b>STEER CYLINDER ASSEMBLIES</b>	
		Ref	<b>8ft/2.4m Width Machines</b>	
	See Previous Figure	Ref	<b>USA Built Machines S/N 0300087000 to S/N 0300142625</b>	
	1001097242	Ref	<b>USA Built Machines S/N 0300142625 to Present</b>	A
	1001097242	Ref	<b>China Built Machines S/N B300000100 to Present</b>	A
	See Previous Figure	Ref.	<b>7ft/2.1m Width Machines</b>	
1	70002752	1	Piston	
	0100011	A/R	Compound, Locking	
	0100038	A/R	Primer, Locking	
2	Use 70002757	2	Seal	
3	Use 70002757	1	O-Ring	
4	70002745	2	Setscrew	
5	70002753	1	Barrel	
6	70002754	1	Rod	
7	70002755	1	Head	
8	Use 70002757	1	O-Ring	
9	Use 70002757	1	Ring, Back-Up	
10	Use 70002757	1	Seal	
11	Use 70002757	1	O-Ring	
12	Use 70002757	1	Wiper	
13	70002756	1	Nut, Spanner	
	0100011	A/R	Compound, Locking	
	0100038	A/R	Primer, Locking	
14	0962356	4	Bushing	
15 to 24	Not Used			
25	70002757	1	----- Seal Kit (Includes Items 2, 3 and 8-12)	

# SECTION 5 CYLINDER

## FIGURE 5-10. TELESCOPE CYLINDER ASSEMBLY - MAIN BOOM



## SECTION 5 CYLINDER

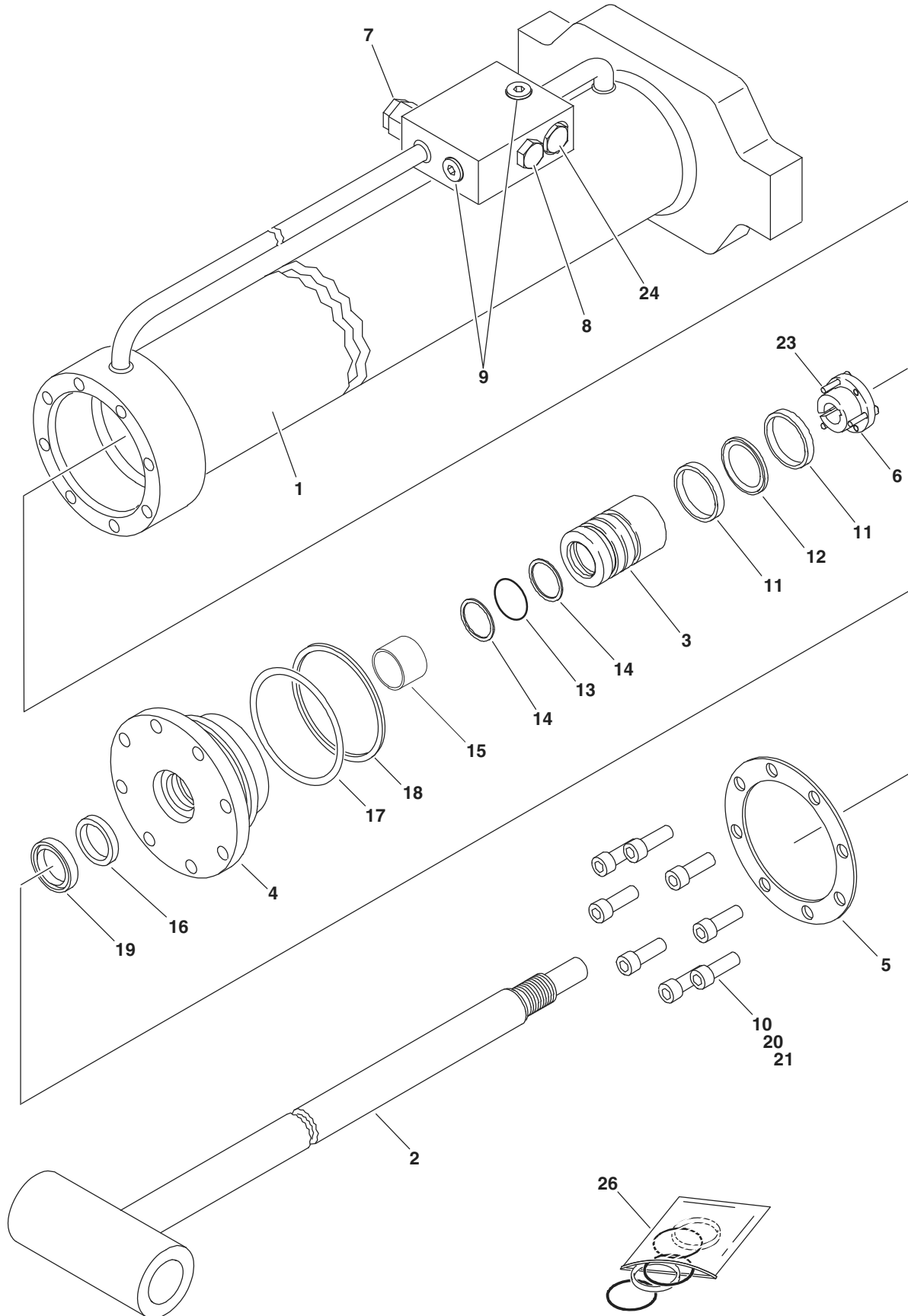
**FIGURE 5-10. TELESCOPE CYLINDER ASSEMBLY - MAIN BOOM**

ITEM #	PART NUMBER	QTY.	DESCRIPTION	REV.
	1683307	Ref.	<b>TELESCOPE CYLINDER ASSEMBLY - 600A</b>	6/G
	1683317	Ref.	<b>TELESCOPE CYLINDER ASSEMBLY - 600AJ</b>	6/G
1		1	Barrel Options:	
	1683308		600A	
	1683318		600AJ	
2		1	Rod Options:	
	1684308		600A	
	1684310		600AJ	
3	3480212	1	Piston	
4	1683054	1	Head	
5	4566425	1	Spacer	
6	0961896	1	Bushing, Tapered	
7		1	Plate, Wear Pad Mounting Options:	
	3538771		600A	
	3538247		600AJ	
8	4640862	1	Valve Block Assembly (No Service Parts Available - Replace Complete Assembly)	
9	2220885	2	Plug, O-Ring	
10	3931516	8	Capscrew, Socket Head 5/16in-18NC x 1in	
11	3931448	4	Capscrew, Socket Head 1/4in-20NC x 3in	
12	Use 2901861	2	Ring, Wear	
13	Use 2901861	1	Seal	
14	Use 2901861	1	O-Ring	
15	Use 2901861	1	O-Ring	
16	Use 2901861	1	Ring, Wear	
17	Use 2901861	1	O-Ring	
18	Use 2901861	1	Ring, Back-Up	
19	Use 2901861	1	Seal, Rod	
20	Use 2901861	1	Wiper	
21	Use 2901861	2	Ring, Back-Up	
22	0100038	A/R	Primer, Locking	
23	0100011	A/R	Compound, Locking	
24	3340608	2	Pad, Wear	
25	0641604	4	Bolt 3/8in-16NC x 1/2in	
26	4751600	4	Flatwasher 3/8in Regular	
27	Not Used			
28	0630535	3	Bolt 1/4in-20NC x 1-1/8in	
29 to 50	Not Used			
51	2901861	1	Seal Kit (Includes Items 12-21)	



# SECTION 5 CYLINDER

## FIGURE 5-11. TELESCOPE CYLINDER ASSEMBLY - TOWER BOOM



## SECTION 5 CYLINDER

**FIGURE 5-11. TELESCOPE CYLINDER ASSEMBLY - TOWER BOOM**

ITEM #	PART NUMBER	QTY.	DESCRIPTION	REV.
	1683312	Ref	<b>TELESCOPE (TOWER BOOM) CYLINDER ASSEMBLY</b>	6/H
1	1683313	1	Barrel	
2	1683314	1	Rod	
3	3480212	1	Piston	
4	1683054	1	Head	
5	3760368	1	Ring, Washer	
6	0961896	1	Bushing, Tapered	
7	4640509	2	Cartridge, Valve	
	2900792	2	Seal Kit - 4640509 Valve	
8	4640647	1	Cartridge, Valve	
	2900770	1	Seal Kit - 4640647 Valve	
9	2220883	A/R	Plug, O-Ring	
		1	USA Built Machines S/N 0300087000 to S/N 0300138327	
		2	USA Built Machines S/N 0300138327 to Present	
		2	China Built Machines S/N B300000100 to Present	
10	3931516	8	Capscrew, Socket Head 5/16in-18NC x 1in	
11	Use 2901861	2	Ring, Wear	
12	Use 2901861	1	T-Seal	
13	Use 2901861	1	O-Ring	
14	Use 2901861	2	Ring, Back-Up	
15	Use 2901861	1	Ring, Wear	
16	Use 2901861	1	Seal, Rod	
17	Use 2901861	1	O-Ring	
18	Use 2901861	1	Ring, Back-Up	
19	Use 2901861	1	Wiper	
20	0100038	A/R	Primer, Locking	
21	0100011	A/R	Compound, Locking	
22	Not Used			
23	0630535	3	Bolt 1/4in-20NC x 1-1/8in	
24	4640999	1	Cartridge, Valve	
	7011185	1	Seal Kit - 4640999 Valve	
25	Not Used			
26	2901861	1	Seal Kit (Includes Items 11-19)	

# SECTION 5 CYLINDER

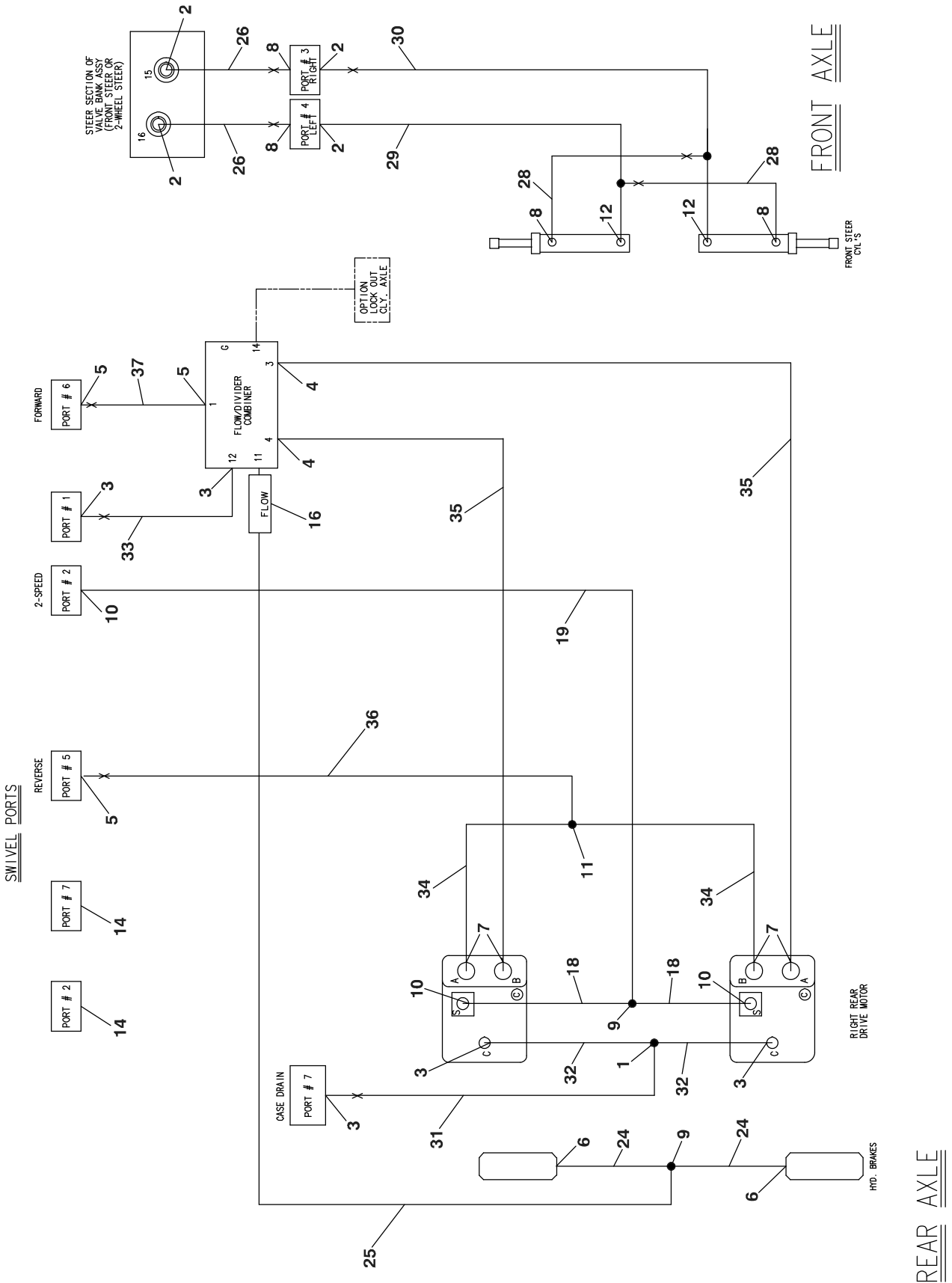
## FIGURE 5-11. TELESCOPE CYLINDER ASSEMBLY - TOWER BOOM (CONTINUED)

ITEM #	PART NUMBER	QTY.	DESCRIPTION	REV.

# **SECTION 6 HYDRAULIC**

# SECTION 6 HYDRAULIC

FIGURE 6-1. DRIVE HYDRAULIC DIAGRAM - 2WD/2WS



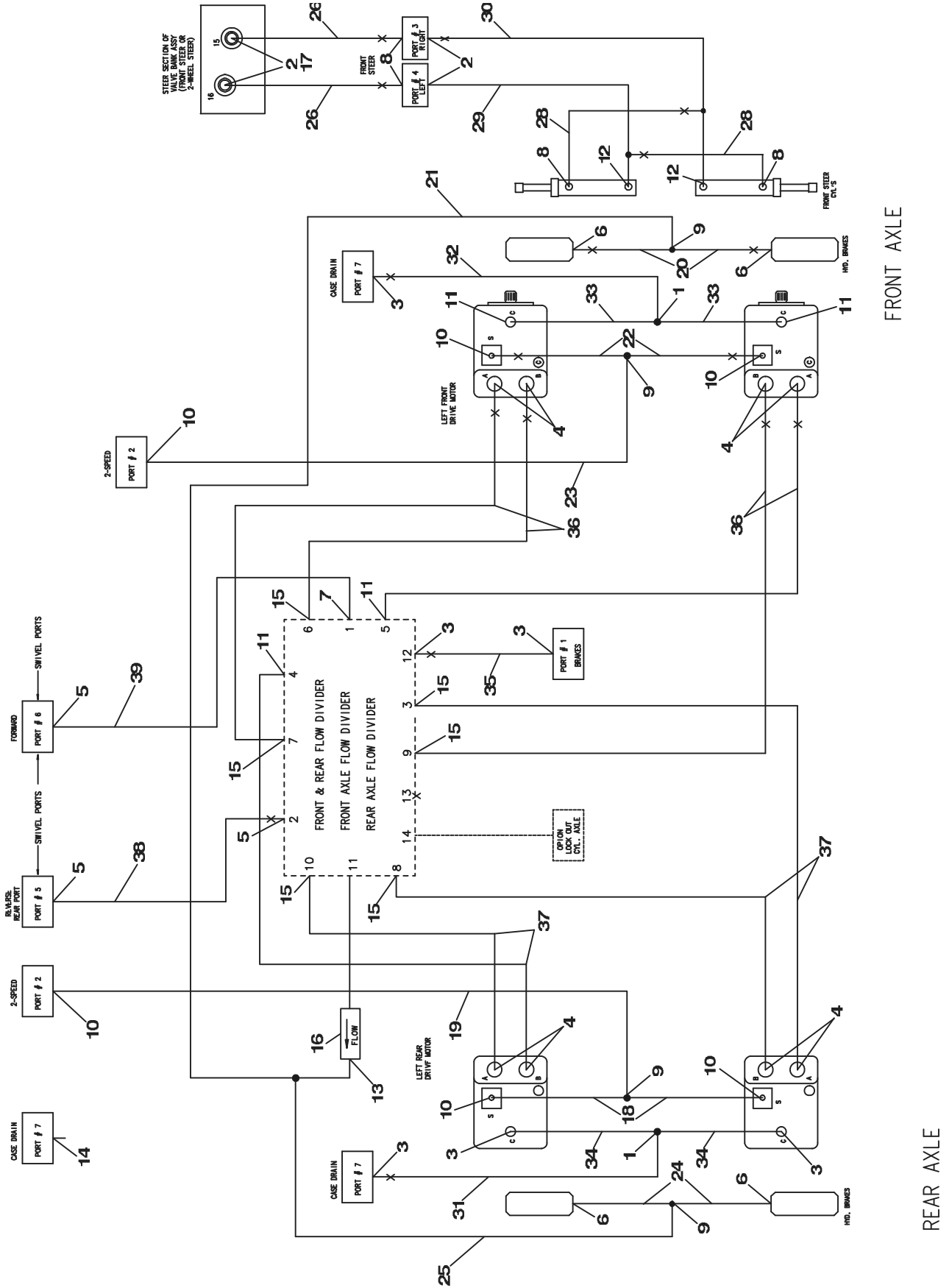
## SECTION 6 HYDRAULIC

**FIGURE 6-1. DRIVE HYDRAULIC DIAGRAM - 2WD/2WS**

ITEM #	PART NUMBER	QTY.	DESCRIPTION	REV.
	2792692	Ref.	<b>DRIVE HYDRAULIC DIAGRAM - 2WD/2WS</b>	3/R
1	2220362	1	Fitting, Tee	
2	2220371	4	Fitting, Straight	
3	2220373	5	Fitting, Straight	
4	2220451	2	Fitting, 45°	
5	2220377	3	Fitting, Straight	
6	2220415	2	Fitting, Straight	
7	2220451	4	Fitting, Straight	
8	2220473	4	Fitting, 90°	
9	2220504	2	Fitting, Tee	
10	2220582	3	Fitting, Straight	
11	2221170	1	Fitting, Tee	
12	2220606	2	Fitting, Tee	
13	Not Used			
14	2220237	2	Fitting, Plug	
15	Not Used			
16	4641307	1	Valve, Check	
17	Not Used			
18	2753925	2	Hose	
19	2753924	1	Hose	
20 to 23	Not Used			
24	2752592	2	Hose	
25	2752910	1	Hose	
26	2752620	2	Hose	
27	Not Used			
28	2754235	2	Hose	
29	2752475	1	Hose	
30	2752611	1	Hose	
31	2752928	1	Hose	
32	2753929	2	Hose	
33	2752929	1	Hose	
34	2753969	2	Hose	
35	2753967	2	Hose	
36	2752341	1	Hose	
37	2753435	1	Hose	

# SECTION 6 HYDRAULIC

FIGURE 6-2. DRIVE HYDRAULIC DIAGRAM - 4WD/2WS



## SECTION 6 HYDRAULIC

**FIGURE 6-2. DRIVE HYDRAULIC DIAGRAM - 4WD/2WS**

ITEM #	PART NUMBER	QTY.	DESCRIPTION	REV.
		Ref.	<b>DRIVE HYDRAULIC DIAGRAM - 4WD/2WS</b>	
	2792687	Ref.	<b>USA Built Machines without Arctic Package</b>	4/R
	1001114078	Ref.	<b>China Built Machines without Arctic Package</b>	1/A
	2792730	Ref.	<b>All Machines with Arctic Package</b>	2/R
1	2220362	2	Fitting, Tee	
2	2220371	4	Fitting, Straight	
3	2220373	6	Fitting, Straight	
4	2220375	8	Fitting, Straight	
5	2220377	3	Fitting, Straight	
6	2220415	4	Fitting, Straight	
7	2220646	1	Fitting, 90°	
8	2220473	4	Fitting, 90°	
9	2220504	4	Fitting, Tee	
10	2220582	6	Fitting, Straight	
11	2220596	4	Fitting, 90°	
12	2220606	2	Fitting, Tee	
13	2220861	1	Fitting, Tee	
14	2220237	1	Fitting, Plug	
15		6	Fitting Options:	
	2220500		Fitting, 45°	
	2220373		Fitting, Straight	
16	4641284	1	Valve, Check	
17	2220507	2	Fitting, 90° (with Arctic Package Only)	
18		2	Hose Options:	
	2753925		USA Built Machines without Arctic Package	
	1001113864		China Built Machines without Arctic Package	
	2753925		With Arctic Package	
19		1	Hose Options:	
	2753924		USA Built Machines without Arctic Package	
	1001113862		China Built Machines without Arctic Package	
	2753924		With Arctic Package	
20		2	Hose Options:	
	2753926		USA Built Machines without Arctic Package	
	1001113866		China Built Machines without Arctic Package	
	2754731		With Arctic Package	
21		1	Hose Options:	
	2753929		USA Built Machines without Arctic Package	
	1001113881		China Built Machines without Arctic Package	
	2754229		With Arctic Package	
22		2	Hose Options:	
	2752574		USA Built Machines without Arctic Package	
	1001113805		China Built Machines without Arctic Package	
	2754732		With Arctic Package	
23		1	Hose Options:	
	2754230		USA Built Machines without Arctic Package	
	1001113882		China Built Machines without Arctic Package	
	2754230		With Arctic Package	



## SECTION 6 HYDRAULIC

**FIGURE 6-2. DRIVE HYDRAULIC DIAGRAM - 4WD/2WS (CONTINUED)**

ITEM #	PART NUMBER	QTY.	DESCRIPTION	REV.
24	2752592 1001113809 2752592	2	Hose Options: USA Built Machines without Arctic Package China Built Machines without Arctic Package With Arctic Package	
25	2752910 1001113890 2752910	1	Hose Options: USA Built Machines without Arctic Package China Built Machines without Arctic Package With Arctic Package	
26	2752620 1001113820 2752620	2	Hose Options: USA Built Machines without Arctic Package China Built Machines without Arctic Package With Arctic Package	
27	Not Used			
28	2754235 1001113884 2754235	2	Hose Options: USA Built Machines without Arctic Package China Built Machines without Arctic Package With Arctic Package	
29	2752475 1001113793 2752475	1	Hose Options: USA Built Machines without Arctic Package China Built Machines without Arctic Package With Arctic Package	
30	2752611 1001113818 2752611	1	Hose Options: USA Built Machines without Arctic Package China Built Machines without Arctic Package With Arctic Package	
31	2752928 1001113835 2752928	1	Hose Options: USA Built Machines without Arctic Package China Built Machines without Arctic Package With Arctic Package	
32	2754231 1001113883 2754231	1	Hose Options: USA Built Machines without Arctic Package China Built Machines without Arctic Package With Arctic Package	
33	2753928 1001113868 2754733	2	Hose Options: USA Built Machines without Arctic Package China Built Machines without Arctic Package With Arctic Package	
34	2753929 1001113878 2753929	2	Hose Options: USA Built Machines without Arctic Package China Built Machines without Arctic Package With Arctic Package	
35	2753929 1001113836 2753929	1	Hose Options: USA Built Machines without Arctic Package China Built Machines without Arctic Package With Arctic Package	
36	2754232 1001113897 2754734	4	Hose Options: USA Built Machines without Arctic Package China Built Machines without Arctic Package With Arctic Package	

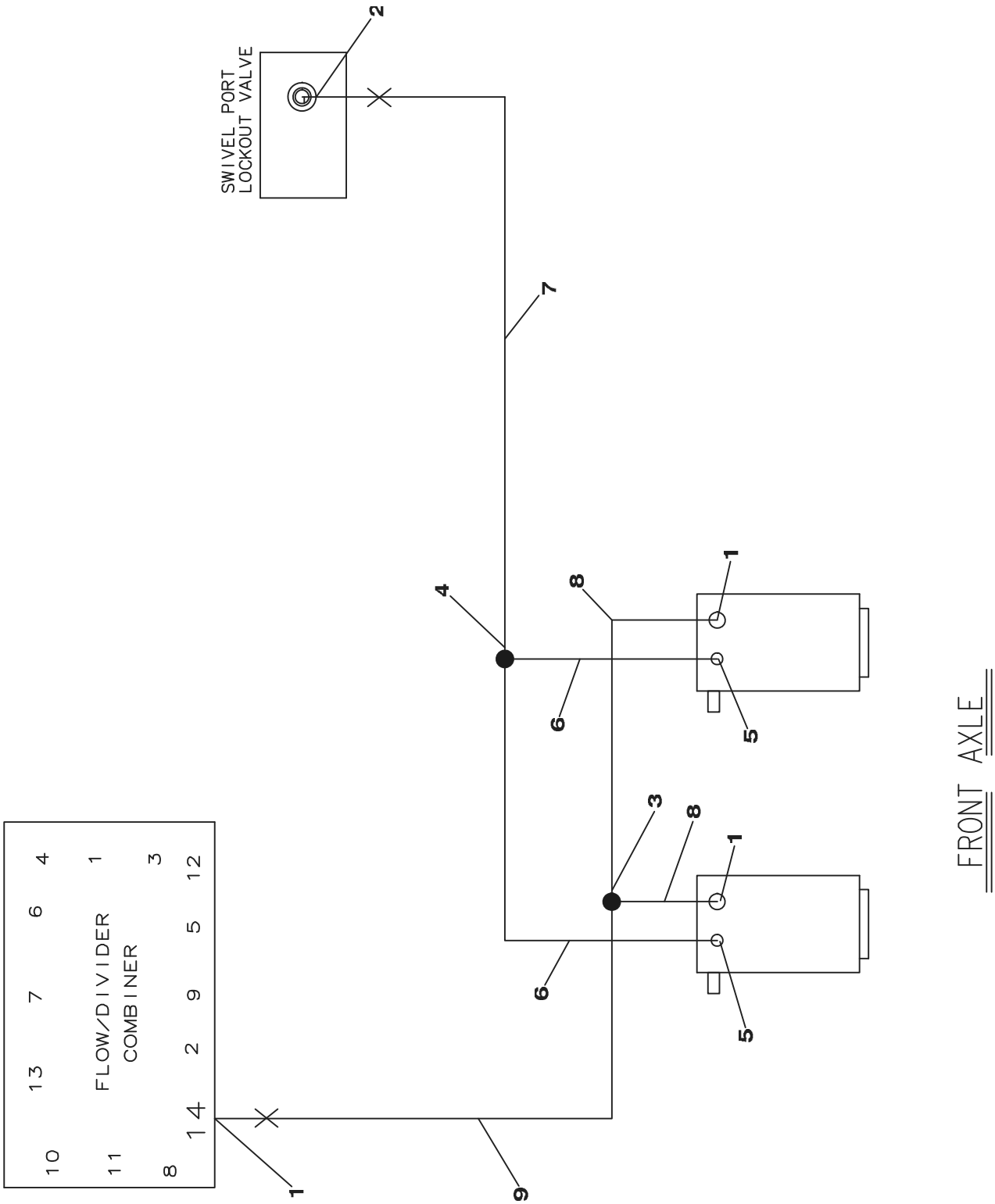
## SECTION 6 HYDRAULIC

**FIGURE 6-2. DRIVE HYDRAULIC DIAGRAM - 4WD/2WS (CONTINUED)**

ITEM #	PART NUMBER	QTY.	DESCRIPTION	REV.
37	2753930 1001113894 2753930	4	Hose Options: USA Built Machines without Arctic Package China Built Machines without Arctic Package With Arctic Package	
38	2754227 1001113903 2754227	1	Hose Options: USA Built Machines without Arctic Package China Built Machines without Arctic Package With Arctic Package	
39	2754228 1001113904 2754228	1	Hose Options: USA Built Machines without Arctic Package China Built Machines without Arctic Package With Arctic Package	

# SECTION 6 HYDRAULIC

FIGURE 6-3. HYDRAULIC DIAGRAM - OSCILLATING AXLE

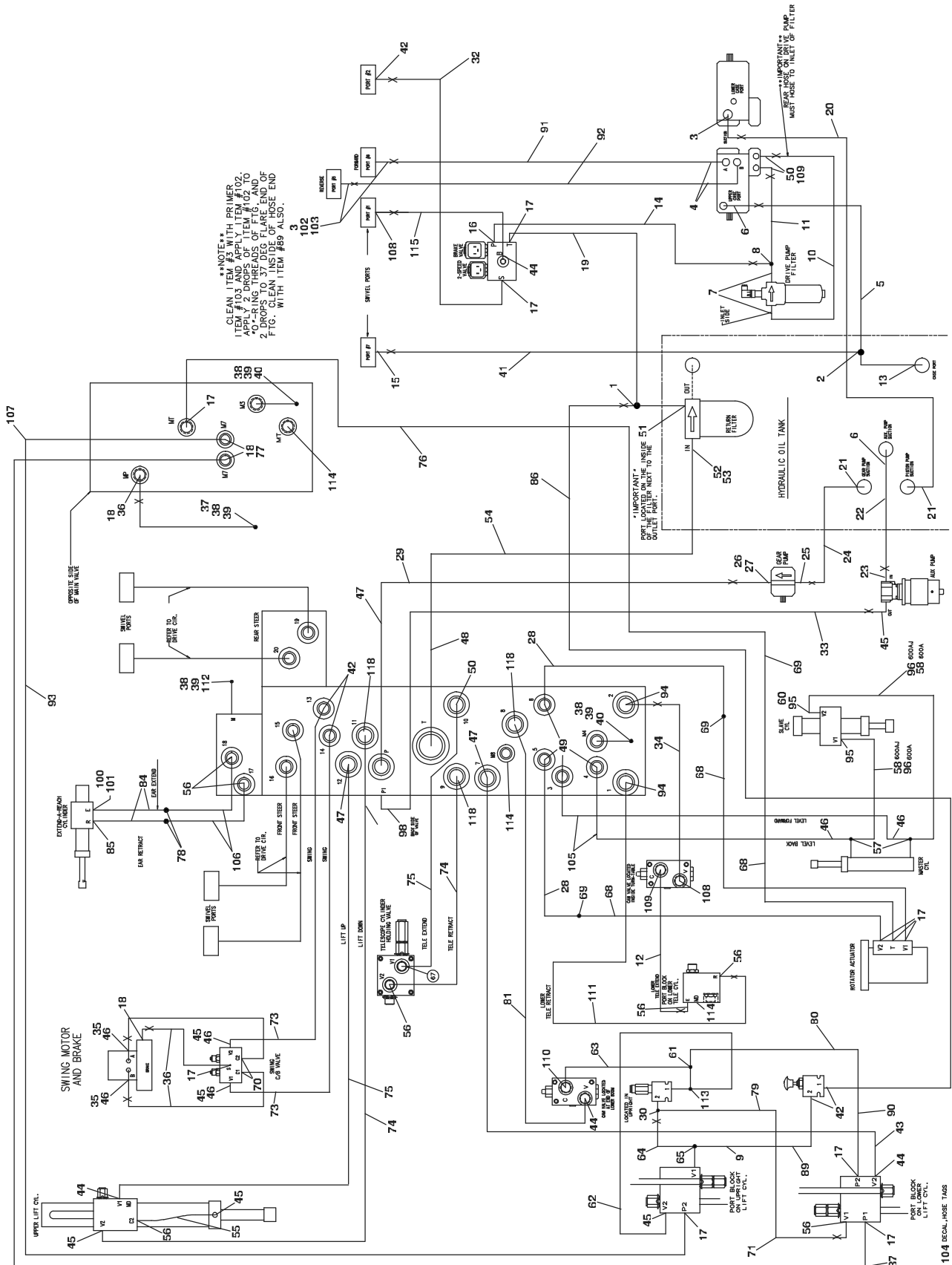


**FIGURE 6-3. HYDRAULIC DIAGRAM - OSCILLATING AXLE**

ITEM #	PART NUMBER	QTY.	DESCRIPTION	REV.
		Ref.	<b>HYDRAULIC DIAGRAM - OSCILLATING AXLE</b>	
	2792690	Ref.	<b>USA Built Machines</b>	1/R
	1001114079	Ref.	<b>China Built Machines</b>	1
1	2220371	3	Fitting, Straight	
2	2220468	1	Fitting, Straight	
3	2220490	1	Fitting, Tee	
4	2220504	1	Fitting, Tee	
5	2220415	2	Fitting, Straight	
6		2	Hose Options:	
	2751434		USA Built Machines	
	1001113914		China Built Machines	
7		1	Hose Options:	
	2751410		USA Built Machines	
	1001113913		China Built Machines	
8		2	Hose Options:	
	2753933		USA Built Machines	
	1001113879		China Built Machines	
9		1	Hose Options:	
	2752462		USA Built Machines	
	1001113789		China Built Machines	

# SECTION 6 HYDRAULIC

**FIGURE 6-4. HYDRAULIC DIAGRAM - STANDARD (USA BUILT MACHINES S/N 0300087000 TO S/N 0300137453)**



104 BICAL HOSE TAGS

## SECTION 6 HYDRAULIC

**FIGURE 6-4. HYDRAULIC DIAGRAM - STANDARD (USA BUILT MACHINES S/N 0300087000 TO S/N 0300137453)**

ITEM #	PART NUMBER	QTY.	DESCRIPTION	REV.
	2792688	Ref.	HYDRAULIC DIAGRAM - STANDARD (600A)	10/M
	2792689	Ref.	HYDRAULIC DIAGRAM - STANDARD (600AJ)	8/M
1	2220605	1	Fitting, Tee	
2	2220409	1	Fitting, 45°	
3	2220377	3	Fitting, Straight (Qty 1 is Part of Pump Assembly)	
4	2220646	2	Fitting, 90° (Part of Pump Assembly)	
5		1	Hose Options:	
	2752655		74in/1.9m Length	
	1001093549		82in/2m Length	
6	2220578	2	Fitting, 90° (Qty 1 is Part of Pump Assembly)	
7	2221042	2	Fitting, 90°	
8	2220948	1	Fitting, Tee	
9	2220618	1	Fitting, Reducer	
10	2754329	1	Hose	
11	2754330	1	Hose	
12	2753132	1	Hose	
13	2220738	1	Fitting, Tee	
14	2754328	1	Hose	
15	2220375	A/R	Fitting, Straight (600A - Qty.1 /600AJ - Qty.2)	
16	2220474	1	Fitting, 90°	
17	2220466	A/R	Fitting, 90°	
18	2220415	A/R	Fitting, Straight	
19	2753325	1	Hose	
20	2752723	1	Hose	
21	2220379	2	Fitting, Straight	
22	2752656	1	Hose	
23	2220567	1	Fitting, 90°	
24	2752724	1	Hose	
25	2220376	1	Fitting, Straight (Part of Pump Assembly)	
26	2220810	1	Fitting, Reducer (Part of Pump Assembly)	
27	4640744	1	Valve, Check (Part of Pump Assembly)	
28	2752604	2	Hose ( <b>Note: Also Requires #69 &amp; #68 for Complete Run Up Boom</b> )	
29	2752929	1	Hose	
30	2220602	1	Fitting, Tee	
31	Not Used			
32	2751396	1	Hose	
33	2752635	1	Hose	
34	2753133	1	Hose	
35	2220497	2	Fitting, Straight	
36	2752573	A/R	Hose	
37	2220414	1	Fitting, Straight	
38	2220428	4	Fitting, Quick Coupling	
39	2220429	4	Cap, Dust	
40	2220873	3	Fitting	
41	2753968	1	Hose	
42	2220582	A/R	Fitting, Straight	

## SECTION 6 HYDRAULIC

**FIGURE 6-4. HYDRAULIC DIAGRAM - STANDARD (USA BUILT MACHINES S/N 0300087000 TO S/N 0300137453) (CONTINUED)**

ITEM #	PART NUMBER	QTY.	DESCRIPTION	REV.
43	2752506	1	Hose (600A)	
	2752516	1	Hose (600AJ)	
44	2220596	4	Fitting, 90°	
45	2220628	6	Fitting, 90°	
46	2220609	A/R	Fitting, Reducer	
47	2220381	3	Fitting, Long Straight	
48	2220974	1	Fitting, Long Straight	
49	2220923	4	Fitting, Long Straight	
50	2220374	1	Fitting	
51	2220574	1	Fitting, Straight	
52	2220921	1	Fitting, Reducer	
53	2220498	1	Fitting, 45°	
54	2752783	1	Hose	
55	2752469	1	Hose	
56	2220372	A/R	Fitting, Straight (600A - Qty.5 / 600AJ - Qty.7)	
57	2220899	2	Fitting, Tee	
58	2752636	1	Hose (600A)	
	2752468	1	Hose (600AJ)	
59	Not Used			
60	2220657	1	Fitting, 45° (600A Only)	
61	2221065	1	Fitting, Tee	
62	2752462	1	Hose	
63	2753134	1	Hose	
64	2752497	1	Hose	
65	2220999	1	Fitting, Tee	
66	Not Used			
67	2220500	1	Fitting, 45°	
68	2752601	3	Hose ( <b>Note: Also Requires #69 &amp; #28 or #76 for Complete Run Up Boom</b> )	
69	2220510	3	Fitting, Coupling	
70	2220468	2	Fitting, Straight	
71	2753052	1	Hose	
72	Not Used			
73	2752603	2	Hose	
74	2753055	2	Hose	
75	2752939	2	Hose	
76	2752579	1	Hose ( <b>Note: Also Requires #69 &amp; #68 for Complete Run Up Boom</b> )	
77	2220654	2	Fitting, 90°	
78	2220511	1	Fitting, Coupling (600AJ Only)	
79	2753056	1	Hose	
80	2752991	1	Hose	
81	2753135	1	Hose	
82 to 83	Not Used			
84	2753047	2	Hose (600AJ Only) ( <b>Note: Also Requires #78 &amp; #106 for Complete Run Up Boom</b> )	
85	2220473	1	Fitting, 90° (600AJ Only)	
86	2752453	1	Hose	
87	2752593	1	Hose	

## SECTION 6 HYDRAULIC

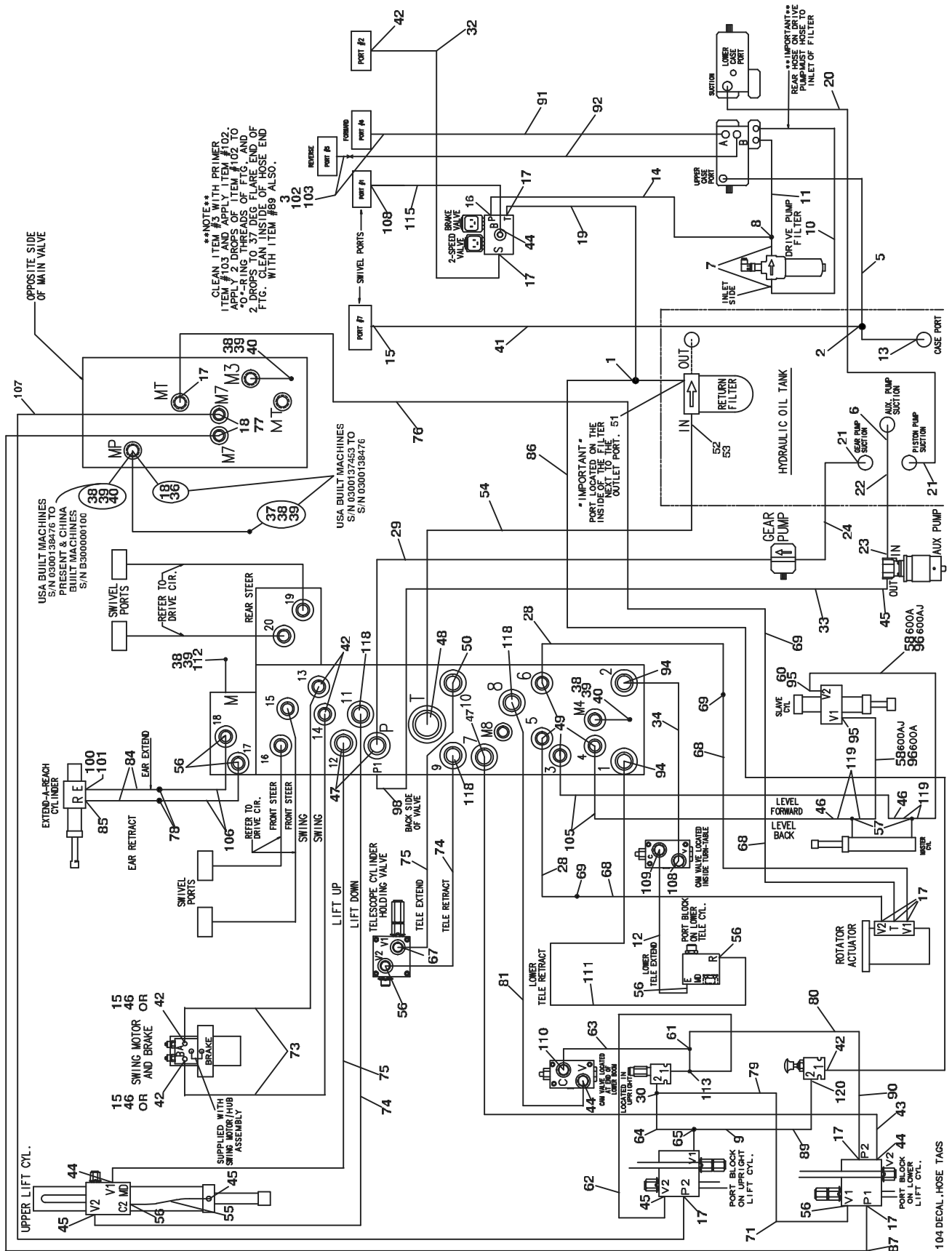
**FIGURE 6-4. HYDRAULIC DIAGRAM - STANDARD (USA BUILT MACHINES S/N 0300087000 TO S/N 0300137453) (CONTINUED)**

ITEM #	PART NUMBER	QTY.	DESCRIPTION	REV.
88	Not Used			
89	2752990	1	Hose	
90	2752985	1	Hose	
91	2752343	1	Hose	
92	2752341	1	Hose	
93	Not Used			
94	2220998	2	Hose	
95	2220603	2	Fitting, Straight	
96	2753046	1	Hose (600A)	
	2752650	1	Hose (600AJ)	
97	Not Used			
98	2220473	1	Fitting, 90°	
99	Not Used			
100	2180724	1	Fitting, Modified 90° (600AJ Only)	
101	2180380	1	Plug, Orifice.06 (600AJ Only)	
102	0100011	A/R	Compound, Locking	
103	0100038	A/R	Primer, Locking	
104	1703534	2	Decal, Hose Tags (Not Shown)	
105	2752989	2	Hose	
106	2752618	2	Hose (600AJ Only) <b>(Note: Also Requires #78 &amp; #84 for Complete Run Up Boom)</b>	
107	2752987	1	Hose	
108	2220373	2	Fitting, Straight	
109	2220947	3	Fitting, Straight (Qty 2 is Part of Pump Assembly)	
110	2221036	1	Fitting, O-Ring	
111	2752484	1	Hose	
112	2220873	1	Fitting, Nipple	
113	2221053	1	Fitting, Tee	
114	2220235	3	Plug	
115	2752519	1	Hose	
116 to 117	Not Used			
118	1001104423	3	Fitting, Adapter (One Piece Design) (Replaces Two Separate Fittings on USA Built Machines S/N 030087000 to S/N 0300134296)	
		1	Hose Kit Options: 600A: Includes Items - 58, 68 & 96 2902470 Includes Items - 28, 55, 62-64, 74-76, 79, 80, 81, 89, 105 & 107 2902471 600AJ: Includes Items - 58, 68, 84 & 96 2902472 Includes Items - 28, 55, 62-64, 74-76, 79, 80, 81, 89, 105 & 107 2902471	2  2



# SECTION 6 HYDRAULIC

**FIGURE 6-5. HYDRAULIC DIAGRAM - STANDARD (USA BUILT MACHINES S/N 0300137453 TO PRESENT & CHINA BUILT MACHINES S/N B30000100 TO PRESENT)**



## SECTION 6 HYDRAULIC

**FIGURE 6-5. HYDRAULIC DIAGRAM - STANDARD (USA BUILT MACHINES S/N 0300137453 TO PRESENT & CHINA BUILT MACHINES S/N B300000100 TO PRESENT)**

ITEM #	PART NUMBER	QTY.	DESCRIPTION	REV.
		Ref.	<b>HYDRAULIC DIAGRAM - STANDARD</b>	
	2792688	Ref.	<b>600A USA Built Machines</b>	B/S
	1001114076	Ref.	<b>600A China Built Machines</b>	C/C
	2792689	Ref.	<b>600AJ USA Built Machines</b>	B/S
	1001114077	Ref.	<b>600AJ China Built Machines</b>	C/C
1	2220605	1	Fitting, Tee	
2	2220409	1	Fitting, 45°	
3	2220377	2	Fitting, Straight	
4	Not Used			
5		1	Hose Options:	
	1001093549		USA Built Machines	
	1001113889		China Built Machines	
6	2220578	1	Fitting, 90°	
7	2221042	2	Fitting, 90°	
8	2220948	1	Fitting, Tee	
9	2220618	1	Fitting, Reducer	
10		1	Hose Options:	
	2754329		USA Built Machines	
	1001113886		China Built Machines	
11		1	Hose Options:	
	2754330		USA Built Machines	
	1001113887		China Built Machines	
12		1	Hose Options:	
	2753132		USA Built Machines	
	1001113850		China Built Machines	
13	2220738	1	Fitting, Tee	
14		1	Hose Options:	
	2754328		USA Built Machines	
	1001113885		China Built Machines	
15	2220375	A/R	Fitting, Straight	
16	2220474	1	Fitting, 90°	
17	2220466	9	Fitting, 90°	
18	2220415	A/R	Fitting, Straight	
19		1	Hose Options:	
	2753325		USA Built Machines	
	1001113855		China Built Machines	
20		1	Hose Options:	
	2752723		USA Built Machines	
	1001113909		China Built Machines	
21	2220379	2	Fitting, Straight	
22		1	Hose Options:	
	2752656		USA Built Machines	
	10011133908		China Built Machines	
23	2220567	1	Fitting, 90°	
24		1	Hose Options:	
	2752724		USA Built Machines	
	1001113910		China Built Machines	

## SECTION 6 HYDRAULIC

**FIGURE 6-5. HYDRAULIC DIAGRAM - STANDARD (USA BUILT MACHINES S/N 0300137453 TO PRESENT & CHINA BUILT MACHINES S/N B300000100 TO PRESENT) (CONTINUED)**

ITEM #	PART NUMBER	QTY.	DESCRIPTION	REV.
25 to 27	Not Used			
28		2	Hose Options ( <b>Note: Also Requires #69 &amp; #68 for Complete Run Up Boom</b> ):	
	2752604		USA Built Machines	
	1001113817		China Built Machines	
29		1	Hose Options:	
	2752929		USA Built Machines	
	1001113836		China Built Machines	
30	2220602	1	Fitting, Tee	
31	Not Used			
32		1	Hose Options:	
	2751396		USA Built Machines	
	1001113912		China Built Machines	
33		1	Hose Options:	
	2752635		USA Built Machines	
	1001113824		China Built Machines	
34		1	Hose Options:	
	2753133		USA Built Machines	
	1001113851		China Built Machines	
35	Not Used			
36	2752573	A/R	Hose (USA Built Machines S/N 0300137453 to S/N 0300138476)	
37	2220414	A/R	Fitting, Straight	
38	2220428	4	Fitting, Quick Coupling	
39	2220429	4	Cap, Dust	
40	2220873	3	Fitting	
41		1	Hose Options:	
	2753968		USA Built Machines	
	1001113896		China Built Machines	
42	2220582	A/R	Fitting, Straight	
43		1	Hose Options:	
	2752506		600A USA Built Machines	
	1001113799		600A China Built Machines	
	2752516		600AJ USA Built Machines	
	1001113802		600AJ China Built Machines	
44	2220596	4	Fitting, 90°	
45	2220628	4	Fitting, 90°	
46	2220609	2	Fitting, Reducer (China Built Machines Only S/N B300000100 to S/N B300000629)	
47	2220381	3	Fitting, Long Straight	
48	2220974	1	Fitting, Long Straight	
49	2220923	4	Fitting, Long Straight	
50	2220374	1	Fitting	
51	2220574	1	Fitting, Straight	
52	2220921	1	Fitting, Reducer	
53	2220498	1	Fitting, 45°	
54		1	Hose Options:	
	2752783		USA Built Machines	
	1001113911		China Built Machines	

## SECTION 6 HYDRAULIC

**FIGURE 6-5. HYDRAULIC DIAGRAM - STANDARD (USA BUILT MACHINES S/N 0300137453 TO PRESENT & CHINA BUILT MACHINES S/N B300000100 TO PRESENT) (CONTINUED)**

ITEM #	PART NUMBER	QTY.	DESCRIPTION	REV.
55	2752469 1001113792	1	Hose Options: USA Built Machines China Built Machines	
56	2220372	A/R	Fitting, Straight (600A - Qty.5 / 600AJ - Qty.7)	
57	2220899	2	Fitting, Tee	
58	2752636 1001113825 2752468 1001113791	1	Hose (600A) 600A USA Built Machines 600A China Built Machines 600AJ USA Built Machines 600AJ China Built Machines	
59	Not Used			
60	2220657	A/R	Fitting, 45°	
61	2221065	1	Fitting, Tee	
62	2752462 1001113789	1	Hose Options: USA Built Machines China Built Machines	
63	2753134 1001113852	1	Hose Options: USA Built Machines China Built Machines	
64	2752497 2752497 1001113796	1	Hose Options: 600A 600AJ USA Built Machines 600AJ China Built Machines	
65	2220999	1	Fitting, Tee	
66	Not Used			
67	2220500	1	Fitting, 45°	
68	2752601 1001113815	3	Hose Options ( <b>Note: Also Requires #69 &amp; #28 or #76 for Complete Run Up Boom</b> ): USA Built Machines China Built Machines	
69	2220510	3	Fitting, Coupling	
70	Not Used			
71	2753052 1001113847	1	Hose Options: USA Built Machines China Built Machines	
72	Not Used			
73	2752600 1001113816	2	Hose Options: USA Built Machines China Built Machines	
74	2753055 1001113848	2	Hose Options: USA Built Machines China Built Machines	
75	2752939 1001113837	2	Hose Options: USA Built Machines China Built Machines	
76	2752579 1001113806	1	Hose Options ( <b>Note: Also Requires #69 &amp; #68 for Complete Run Up Boom</b> ): USA Built Machines China Built Machines	

## SECTION 6 HYDRAULIC

**FIGURE 6-5. HYDRAULIC DIAGRAM - STANDARD (USA BUILT MACHINES S/N 0300137453 TO PRESENT & CHINA BUILT MACHINES S/N B300000100 TO PRESENT) (CONTINUED)**

ITEM #	PART NUMBER	QTY.	DESCRIPTION	REV.
77	2220654	2	Fitting, 90°	
78	2220511	1	Fitting, Coupling (600AJ Only)	
79		1	Hose Options:	
	2753056		USA Built Machines	
	1001113849		China Built Machines	
80		1	Hose Options:	
	2752991		USA Built Machines	
	1001113844		China Built Machines	
81		1	Hose Options:	
	2753135		USA Built Machines	
	1001113853		China Built Machines	
82 to 83	Not Used			
84		2	Hose Options (600AJ Only) ( <b>Note: Also Requires #78 &amp; #106 for Complete Run Up Boom</b> ):	
	2753047		USA Built Machines	
	1001113846		China Built Machines	
85	2220473	1	Fitting, 90° (600AJ Only)	
86		1	Hose Options:	
	2752453		USA Built Machines	
	1001113786		China Built Machines	
87		1	Hose Options:	
	2752593		USA Built Machines	
	1001113810		China Built Machines	
88	Not Used			
89		1	Hose Options:	
	2752990		USA Built Machines	
	1001113843		China Built Machines	
90		1	Hose Options:	
	2752985		USA Built Machines	
	1001113840		China Built Machines	
91		1	Hose Options:	
	2752343		USA Built Machines	
	1001113902		China Built Machines	
92		1	Hose Options:	
	2752341		USA Built Machines	
	1001113901		China Built Machines	
93	Not Used			
94	2220998	2	Fitting, Straight	
95	2220603	2	Fitting, Straight	
96		1	Hose Options:	
	2753046		600A USA Built Machines	
	1001113845		600A China Built Machines	
	2752650		600AJUSA Built Machines	
	1001113827		600AJ China Built Machines	
97	Not Used			
98	2220473	1	Fitting, 90°	
99	Not Used			
100	2180724	1	Fitting, Modified 90° (600AJ Only)	
101	2180380	1	Plug, Orifice.06 (600AJ Only)	

## SECTION 6 HYDRAULIC

**FIGURE 6-5. HYDRAULIC DIAGRAM - STANDARD (USA BUILT MACHINES S/N 0300137453 TO PRESENT & CHINA BUILT MACHINES S/N B300000100 TO PRESENT) (CONTINUED)**

ITEM #	PART NUMBER	QTY.	DESCRIPTION	REV.
102	0100011	A/R	Compound, Locking	
103	0100038	A/R	Primer, Locking	
104	1703534	2	Decal, Hose Tags (Not Shown)	
105		2	Hose Options:	
	2752989		USA Built Machines	
	1001113842		China Built Machines	
106		2	Hose Options (600AJ Only) <b>(Note: Also Requires #78 &amp; #84 for Complete Run Up Boom):</b>	
	2752618		USA Built Machines	
	1001113819		China Built Machines	
107		1	Hose Options:	
	2752987		USA Built Machines	
	1001113841		China Built Machines	
108	2220373	2	Fitting, Straight	
109	2220947	1	Fitting, Straight	
110	2221036	1	Fitting, O-Ring	
111		1	Hose Options:	
	2752484		USA Built Machines	
	1001113795		China Built Machines	
112	2220873	1	Fitting, Nipple (600AJ Only)	
113	2221053	1	Fitting, Tee	
114	Not Used			
115		1	Hose Options:	
	2752519		USA Built Machines	
	1001113803		China Built Machines	
116 to 117	Not Used			
118	1001104423	3	Fitting, Adapter	
119	2220507	4	Fitting, 90° Adapter	
120		1	Fitting Options:	
	2220582		Fitting, Straight (USA Built Machines S/N 0300087000 to S/N 0300161245 & China Built Machines S/N B300000100 to S/N B300000629)	
	2220472		Fitting, 90° (USA Built Machines Only S/N 0300161245 to Present & China Built Machines S/N B300000629 to Present)	
		1	----- Hose Kit Options:	
			600A USA Built Machines:	
	2902470		Includes Items - 58, 68 & 96	
	2902471		Includes Items - 28, 55, 62-64, 74-76, 79, 80, 81, 89, 105 & 107	2
	See Note		600A China Built Machines <b>(Note: Not Available for Purchase)</b>	
			600AJ USA Built Machines:	
	2902472		Includes Items - 58, 68, 84 & 96	
	2902471		Includes Items - 28, 55, 62-64, 74-76, 79, 80, 81, 89, 105 & 107	2
	See Note		600AJ China Built Machines <b>(Note: Not Available for Purchase)</b>	

# SECTION 6 HYDRAULIC

## FIGURE 6-6. HYDRAULIC DIAGRAM LIST

ITEM #	PART NUMBER	QTY.	DESCRIPTION	REV.
		Ref.	<b>Note: Diagrams with asterisk (*) are shown in the preceding pages. Information on diagrams not shown is available from JLG Service/Parts Departments.</b>	Ref.
		Ref.	<b>DRIVE HYDRAULIC DIAGRAMS</b>	
	1283429	Ref.	USA Built Machines with 8ft/2.4m Width Frame:	
	2792692*	Ref.	2WD/2WS	
	2792702	Ref.	2WD/4WS	
	2792687*	Ref.	4WD/2WS	
	2792730*	Ref.	4WD/2WS (Arctic Package)	
	2792697	Ref.	4WD/4WS	
	1001102165	Ref.	4WD/4WS (Arctic Package)	
	1283429	Ref.	USA Built Machines with 7ft/2.1m Width Frame:	
	2792191	Ref.	2WD/2WS	
	2792192	Ref.	2WD/2WS	
	1001114071 & 1283429	Ref.	China Built Machines:	
	1001114078*	Ref.	4WD/2WS	
	2792730*	Ref.	4WD/2WS (Arctic Package)	
		Ref.	4WD/4WS Options:	
	2792697	Ref.	S/N B300000100 to S/N B300000629	
	1001138034	Ref.	S/N B300000629 to Present	
	1001102165	Ref.	4WD/4WS (Arctic Package)	
		Ref.	<b>FLUSHING LOOP HYDRAULIC DIAGRAMS</b>	
	2792787/1283429	Ref.	<b>2WD</b>	
	2792786/1283429	Ref.	<b>4WD</b>	
		Ref.	<b>OIL COOLER HYDRAULIC DIAGRAMS</b>	
	0256765/1282665	Ref.	<b>Deutz Engine/USA Built Machines S/N 0300087000 to S/N 0300137663</b>	
	/1001108702	Ref.	<b>Deutz Engine/USA Machines Built S/N 0300137663 to Present</b>	
	/1001108702	Ref.	<b>Deutz Engine/China Built Machines S/N B300000100 to Present</b>	
	0256778/1283309	Ref.	<b>Ford/GM Machines</b>	
		Ref.	<b>OSCILLATING AXLE HYDRAULIC DIAGRAMS</b>	
	2792690/1283429*	Ref.	<b>USA Built Machines</b>	
	1001114079/ 1001114071*	Ref.	<b>China Built Machines</b>	
		Ref.	<b>STANDARD HYDRAULIC DIAGRAM</b>	
	2792688/1283429*	Ref.	<b>600A USA Built Machines</b>	
	1001114076/ 1001114071*	Ref.	<b>600A China Built Machines</b>	
	2792689/1283429*	Ref.	<b>600AJ USA Built Machines</b>	
	1001114077/ 1001114071*	Ref.	<b>600AJ China Built Machines</b>	

## SECTION 6 HYDRAULIC

ITEM #	PART NUMBER	QTY.	DESCRIPTION	REV.
	2792691	Ref.	STANDARD HYDRAULIC SCHEMATIC	
	2792405	Ref.	TOOL CIRCUIT HYDRAULIC DIAGRAM	
	2792315	Ref.	TOW HYDRAULIC DIAGRAM	



# SECTION 6 HYDRAULIC

ITEM #	PART NUMBER	QTY.	DESCRIPTION	REV.

# **SECTION 7 ELECTRICAL**

# SECTION 7 ELECTRICAL

**FIGURE 7-1. ELECTRICAL DIAGRAM LIST**

ITEM #	PART NUMBER	QTY.	DESCRIPTION	REV.
		Ref.	<b>Note: Diagrams with asterisks (*) are shown in the following pages. Diagrams not shown are available from the JLG Service Department.</b>	
		Ref.	<b>Note: For module identification, refer to Revision Log Page A.</b>	
	4933312	Ref.	<b>CHASSIS ILLUMINATION ELECTRICAL DIAGRAM</b>	
	1282571	Ref.	<b>COLD WEATHER START ELECTRICAL DIAGRAM (DEUTZ)</b>	
		Ref.	<b>DRIVE CUTOUT KIT ELECTRICAL DIAGRAMS</b>	
	4932990	Ref.	<b>Drive Cutout Kit (Above Elevation Beyond Transport)</b>	
	4932993	Ref.	<b>Drive Cutout Kit (Above Elevation Tilt) (ANSI, ANSI Export, Australian Brazilian &amp; Japanese Specs Only)</b>	
	4932986	Ref.	<b>ENGINE LOW OIL SHUTDOWN ELECTRICAL DIAGRAM</b>	
	4933308	Ref.	<b>FLOOD LIGHTS ELECTRICAL DIAGRAM</b>	
		Ref.	<b>GENERATOR ELECTRICAL DIAGRAMS</b>	
		Ref.	<b>2500W Options:</b>	
	4933300	Ref.	<b>Caterpillar &amp; Deutz &amp; Ford Engine 110V 50Hz/60Hz (All Specs USA Built Machines S/N 0300087000 to S/N 0300132840)</b>	
	4933300	Ref.	<b>Caterpillar &amp; Deutz &amp; Ford Engine 110V/220V 60Hz (USA Built Machines S/N 0300132840 to S/N 0300139041)</b>	
	1001112588	Ref.	<b>Caterpillar &amp; Deutz Engine 110V/220V 60Hz (USA Built Machines S/N 0300139041 to Present)</b>	
	1001112588	Ref.	<b>Caterpillar &amp; Deutz Engine 110V/220V 60Hz (China Built Machines S/N B300000100 to Present)</b>	
	100110027	Ref.	<b>Caterpillar &amp; Deutz &amp; Ford Engine 110V/220V 50Hz (USA Built Machines S/N 0300132840 to S/N 0300139041)</b>	
	1001112743	Ref.	<b>Caterpillar &amp; Deutz Engine 110V/220V 50Hz (USA Built Machines S/N 0300139041 to Present)</b>	
	4933350	Ref.	<b>GM Engine</b>	
		Ref.	<b>7500W Options:</b>	
	4933264	Ref.	<b>Caterpillar/Deutz Engines (USA Built Machines S/N 0300087000 to S/N 0300139041)</b>	
	1001112586	Ref.	<b>Caterpillar/Deutz Engines (USA Built Machines S/N 0300139041 to Present)</b>	
	1001112586	Ref.	<b>Caterpillar/Deutz Engines (China Built Machines S/N B300000100 to Present)</b>	
	4933283	Ref.	<b>Ford Engine</b>	
	4933349	Ref.	<b>GM Engine</b>	
	4933219	Ref.	<b>HEADLIGHTS/TAILLIGHTS ELECTRICAL DIAGRAM</b>	
	4933218	Ref.	<b>PLATFORM SOFT TOUCH SYSTEM ELECTRICAL DIAGRAM</b>	
	0273492	Ref.	<b>PLATFORM WORKLIGHTS ELECTRICAL DIAGRAM</b>	
	4933263	Ref.	<b>POWER TOOL ELECTRICAL DIAGRAM</b>	

## SECTION 7 ELECTRICAL

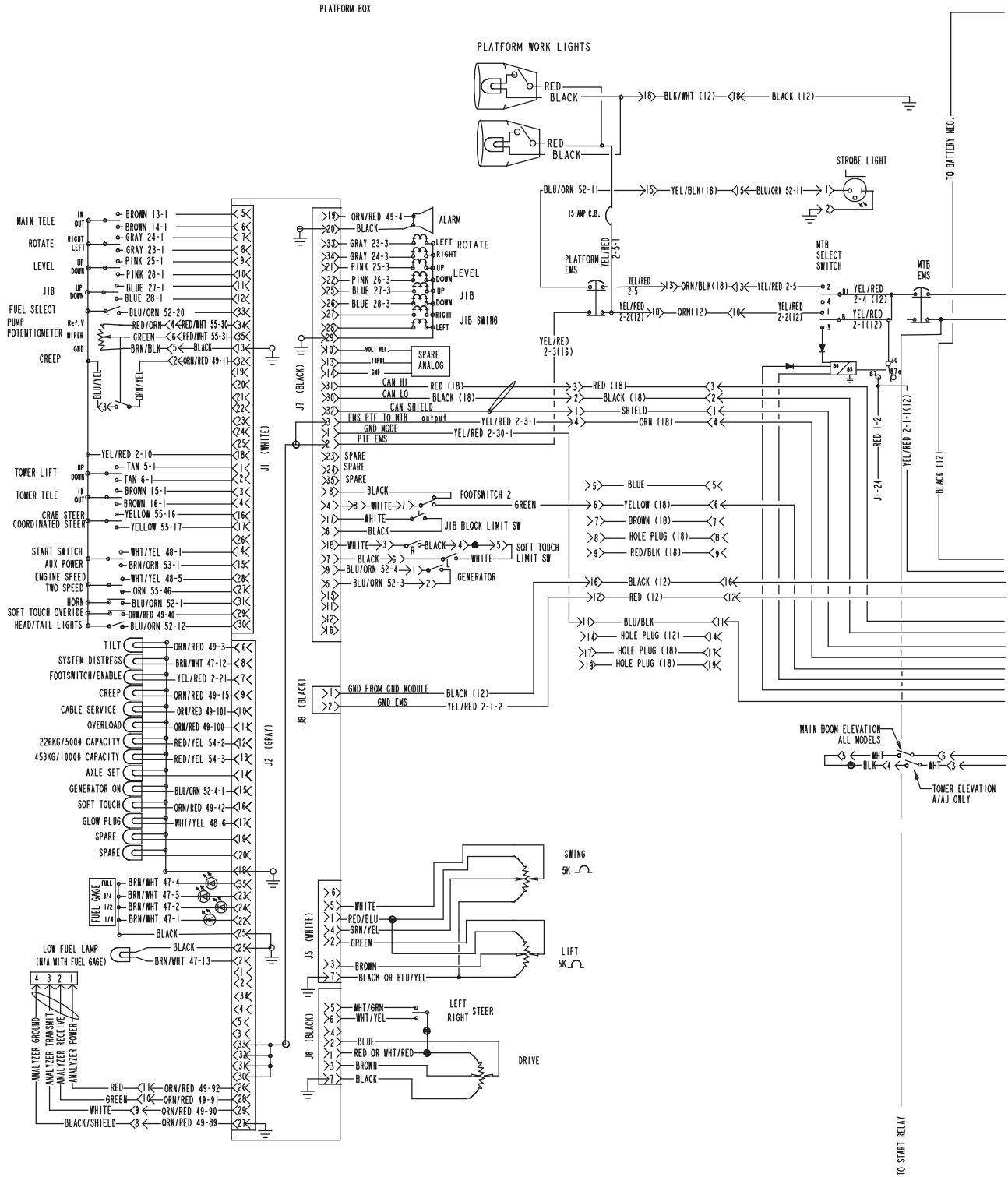
**FIGURE 7-1. ELECTRICAL DIAGRAM LIST (CONTINUED)**

ITEM #	PART NUMBER	QTY.	DESCRIPTION	REV.
		Ref.	<b>STANDARD ELECTRICAL DIAGRAMS</b>	
		Ref.	<b>USA Built Machines S/N 0300087000 to S/N 0300099061:</b>	
	4933329	Ref.	<b>Caterpillar Engine (ANSI &amp; ANSI Export Specs)</b>	
	4933330	Ref.	<b>Caterpillar Engine (Australian &amp; CE Specs)</b>	
	4933319	Ref.	<b>Deutz Engine</b>	
	4933331	Ref.	<b>Ford EFI Engine</b>	
	4933354	Ref.	<b>GM Engine</b>	
		Ref.	<b>USA Built Machines S/N 0300099061 to S/N 0300139041:</b>	
	4933363	Ref.	<b>Caterpillar Engine</b>	
	4933362	Ref.	<b>Deutz Engine</b>	
	4933361	Ref.	<b>GM Engine</b>	
		Ref.	<b>USA Built Machines S/N 0300139041 to Present:</b>	
	1001110382	Ref.	<b>Caterpillar Engine</b>	
	1001110381	Ref.	<b>Deutz Engine</b>	
	1001110380	Ref.	<b>GM Engine</b>	
		Ref.	<b>China Built Machines S/N B300000100 to Present:</b>	
	1001110382	Ref.	<b>Caterpillar Engine</b>	
	1001110381	Ref.	<b>Deutz Engine</b>	
		Ref.	<b>STANDARD ELECTRICAL SCHEMATIC</b>	
		Ref.	<b>USA Built Machines:</b>	
	1870132*	Ref.	<b>Caterpillar &amp; Ford Engine Machines (w/o UGM) (S/N 0300087000 to S/N 0300099061)</b>	
	1870191*	Ref.	<b>Deutz &amp; GM Engine Machines (Without UGM) (S/N 0300087000 to S/N 0300099061)</b>	
	1870215*	Ref.	<b>Caterpillar, Deutz &amp; GM Engine Machines (Without UGM S/N 0300099061 to S/N 0300139041)</b>	
	1001110345*	Ref.	<b>Caterpillar, Deutz &amp; GM Engine Machines (With UGM)</b>	
	1001131992	Ref.	<b>GM Engine Schematic (Engine Schematic Only. P/N 1001110345 is schematic for complete machine)</b>	
		Ref.	<b>China Built Machines:</b>	
	1001110345*	Ref.	<b>Caterpillar, Deutz &amp; GM Engine Machines (With UGM)</b>	

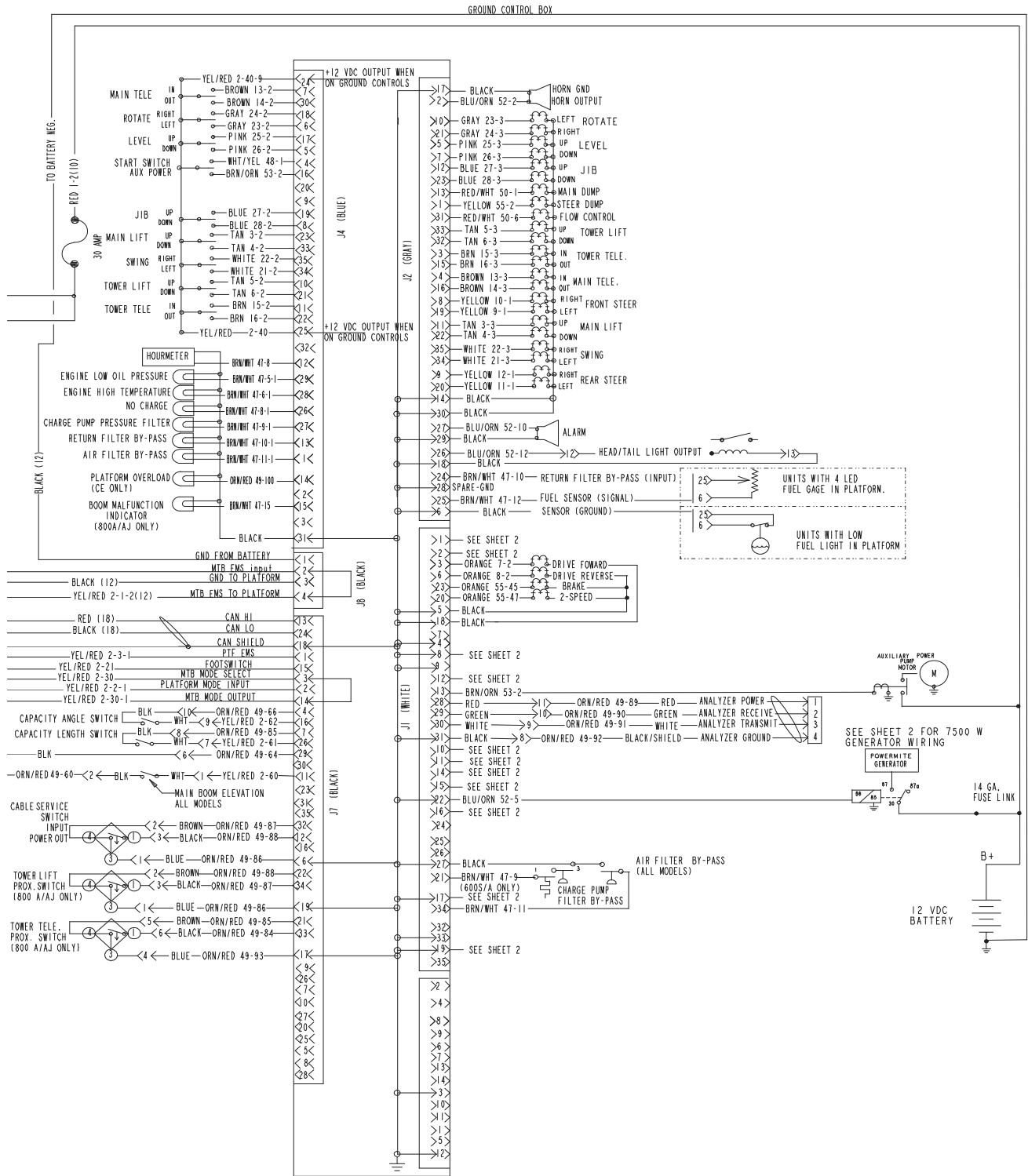
# SECTION 7 ELECTRICAL

## FIGURE 7-2. ELECTRICAL SCHEMATIC (CATERPILLAR & FORD MACHINES WITHOUT UGM) (USA BUILT MACHINES S/N 0300087000 TO S/N 0300099061)

NOTE: FOR MODULE IDENTIFICATION,  
REFER TO REVISION LOG PAGE A

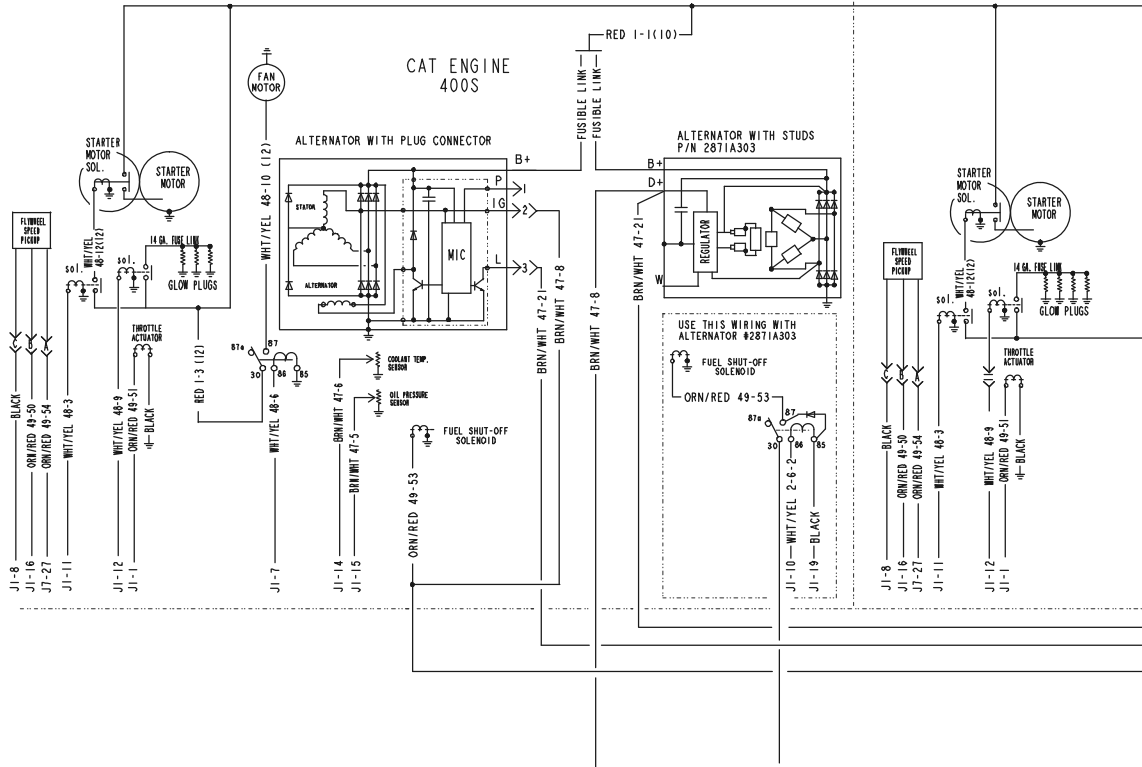


# SECTION 7 ELECTRICAL

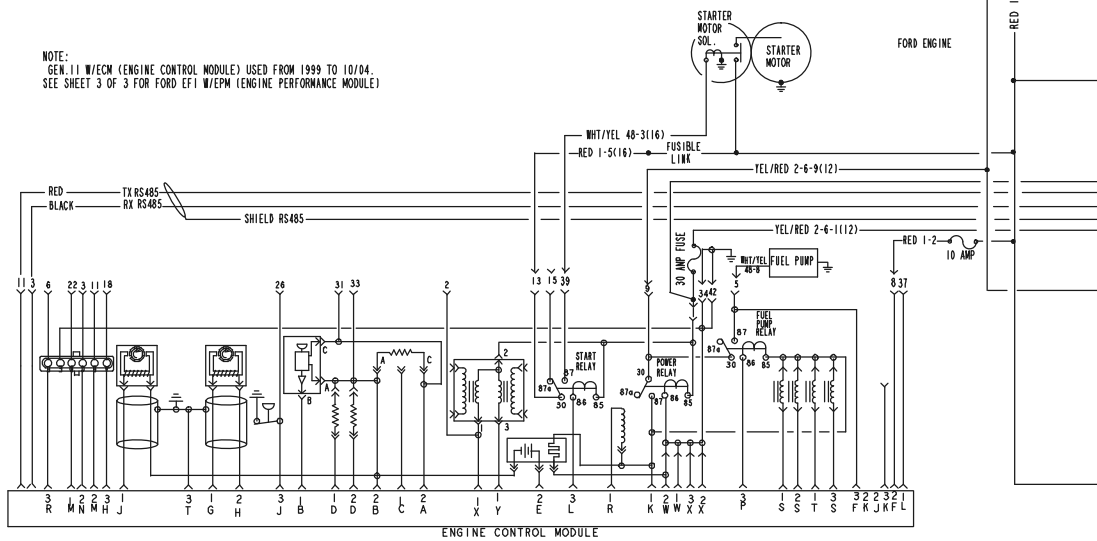


1870132 - N

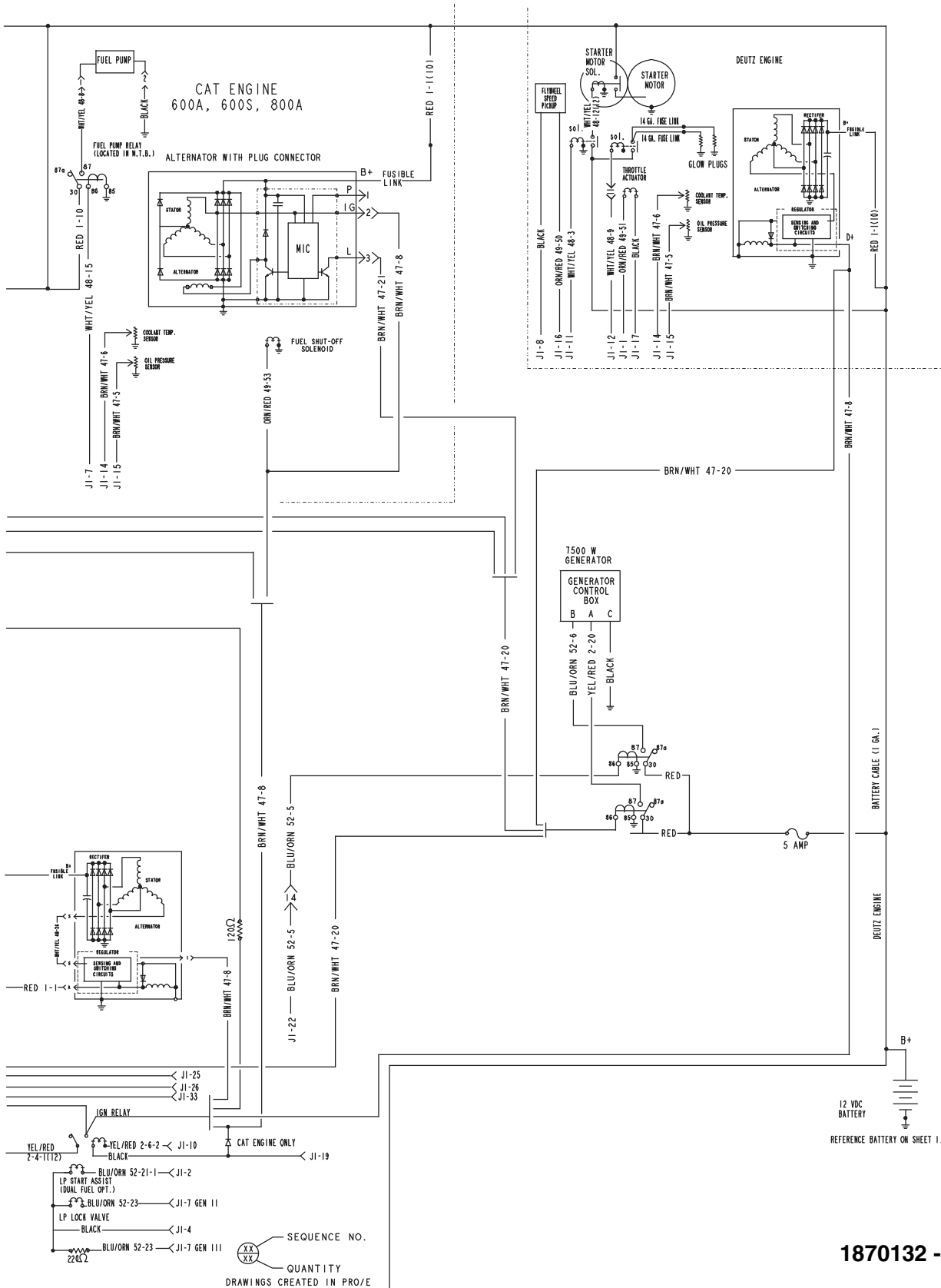
# SECTION 7 ELECTRICAL



NOTE:  
GEN 11 W/ECM (ENGINE CONTROL MODULE) USED FROM 1999 TO 10/04.  
SEE SHEET 3 OF 3 FOR FORD EFI W/EPM (ENGINE PERFORMANCE MODULE)

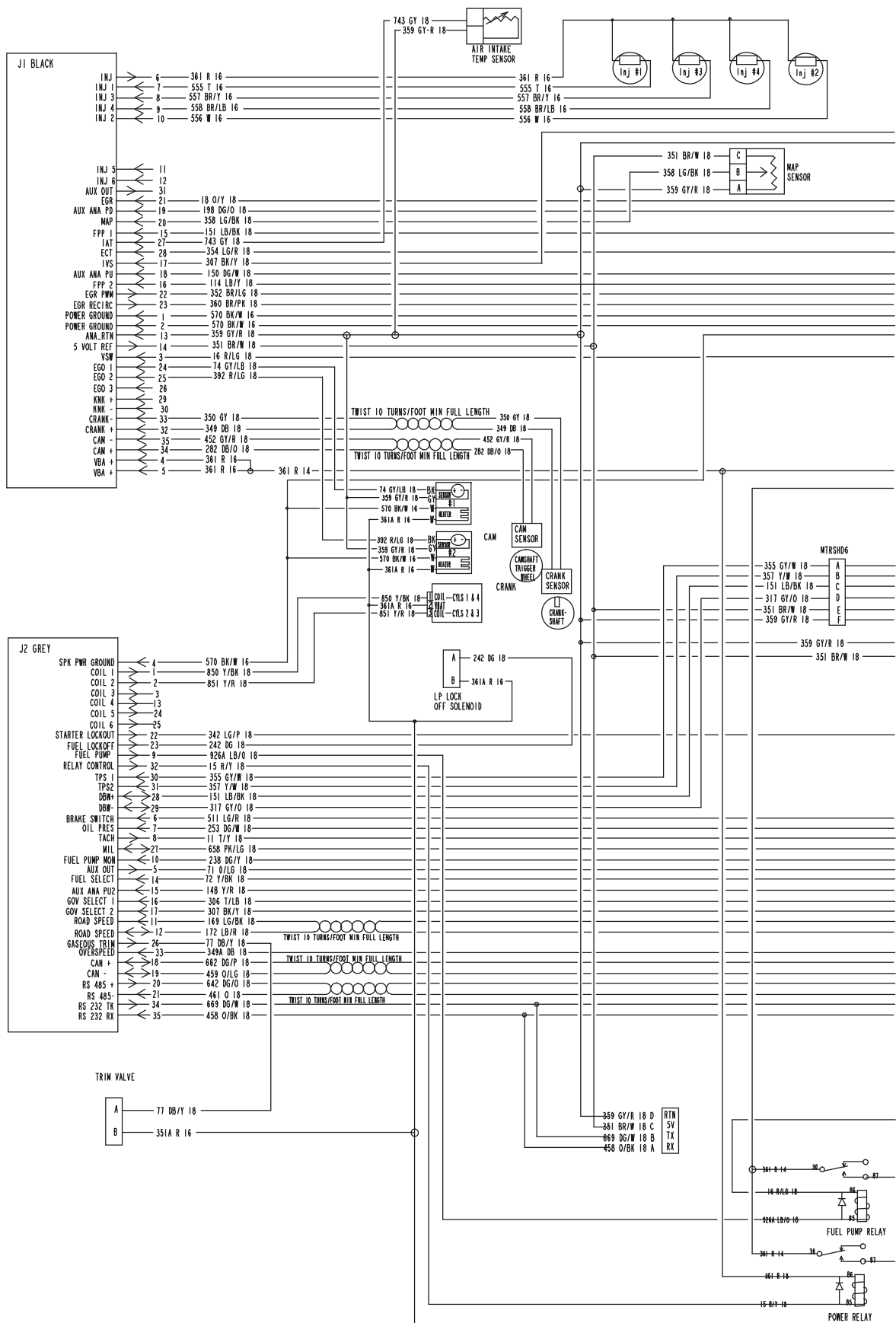


# SECTION 7 ELECTRICAL

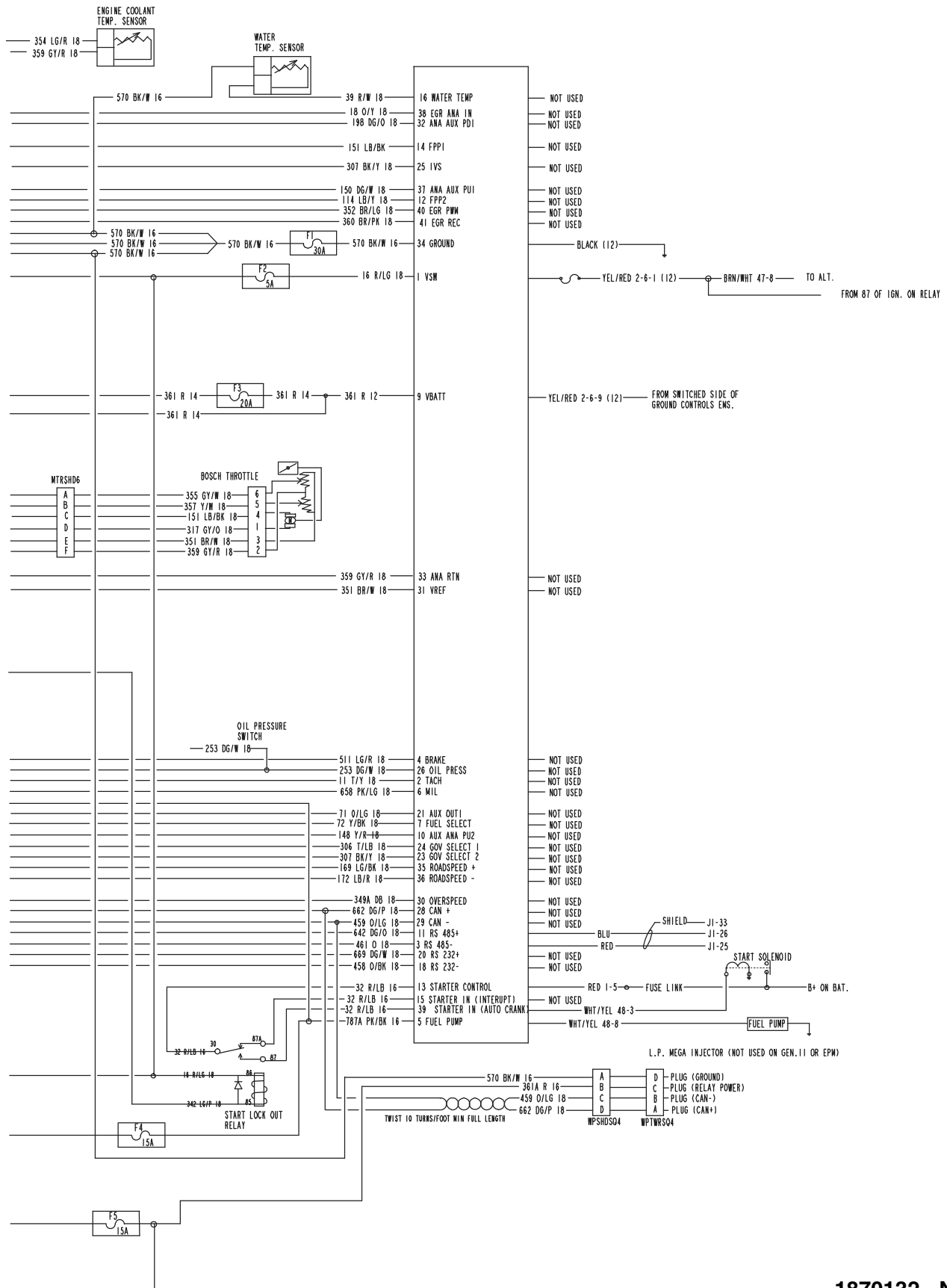




# SECTION 7 ELECTRICAL



# SECTION 7 ELECTRICAL

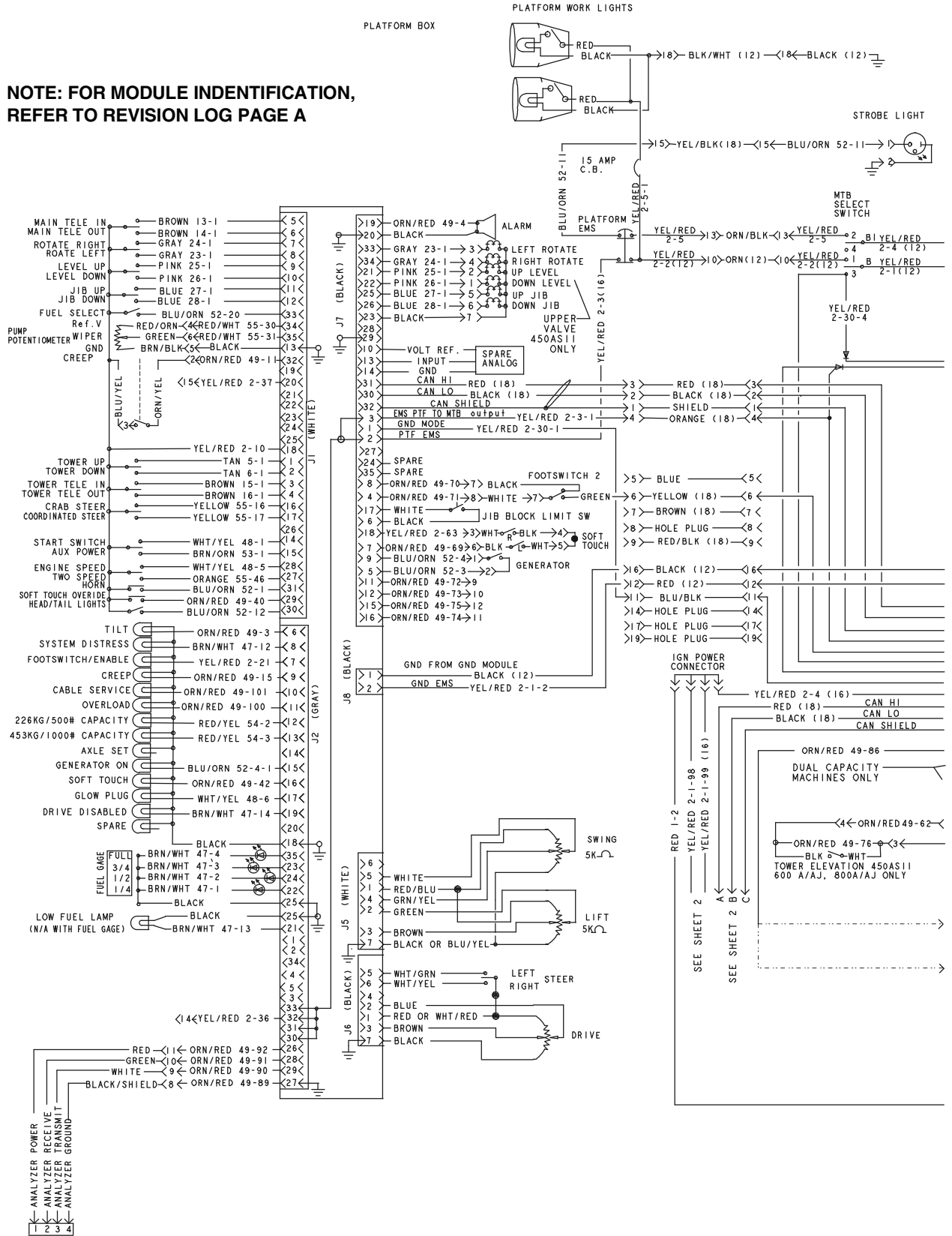


1870132 - N

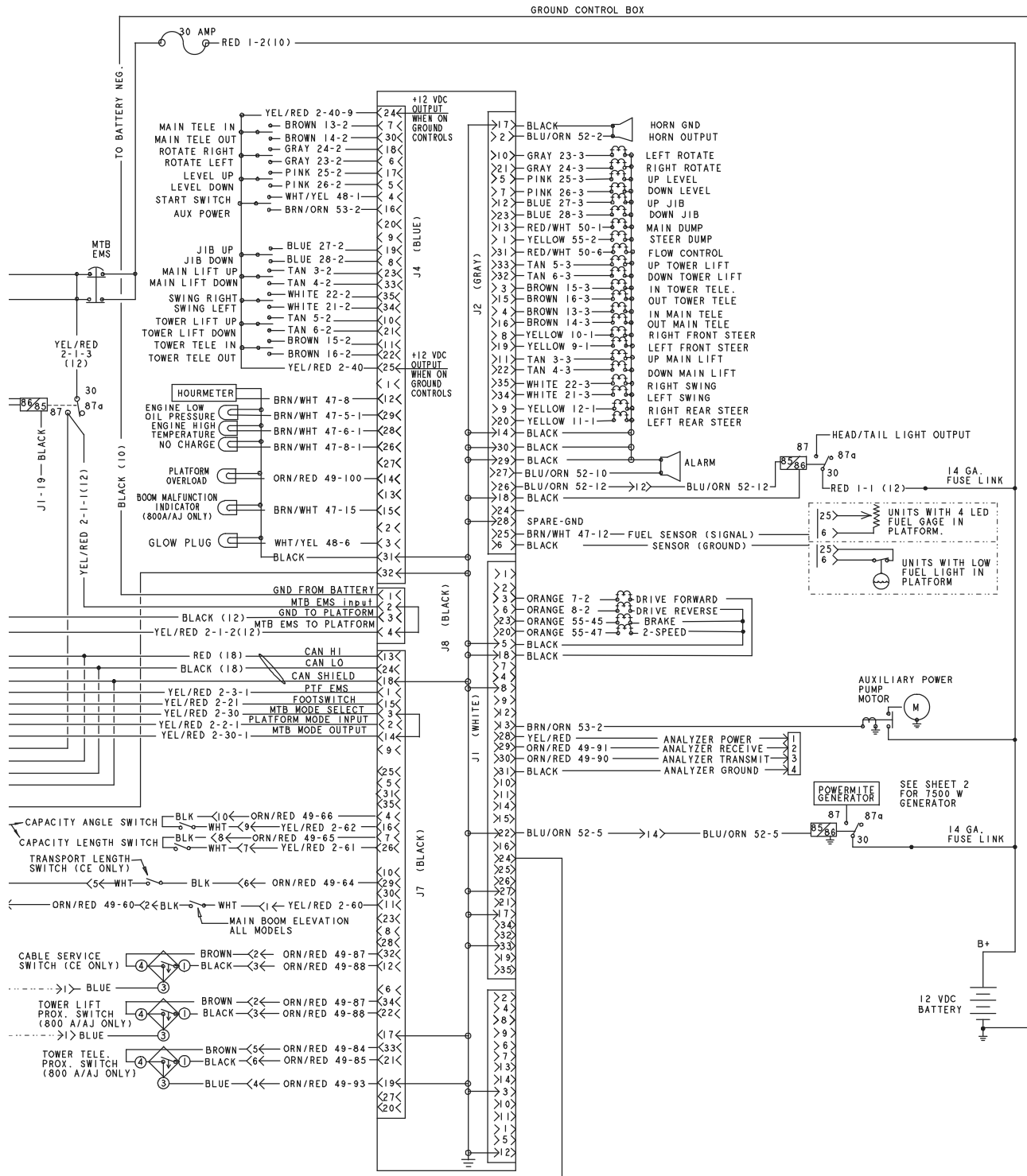
# SECTION 7 ELECTRICAL

**FIGURE 7-3. ELECTRICAL SCHEMATIC (DEUTZ MACHINES WITHOUT UGM)  
(USA BUILT MACHINES S/N 0300087000 TO S/N 0300099061)**

**NOTE: FOR MODULE IDENTIFICATION,  
REFER TO REVISION LOG PAGE A**

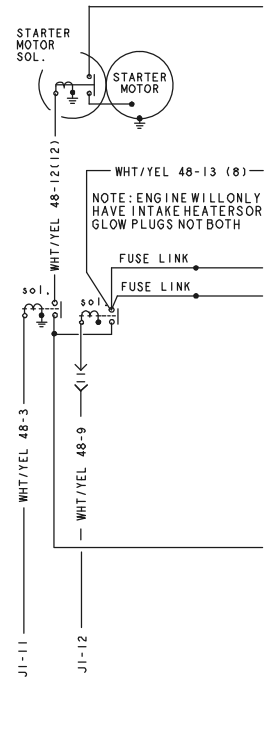
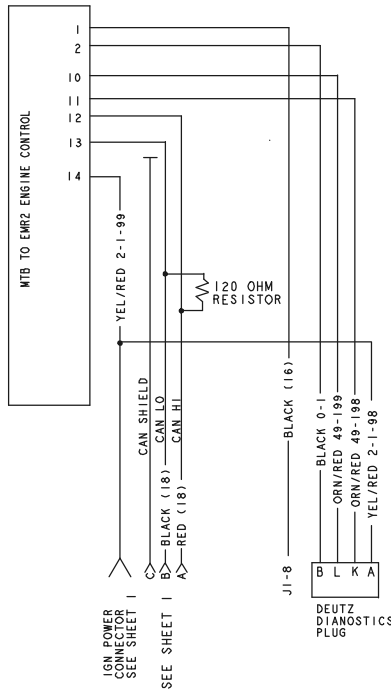
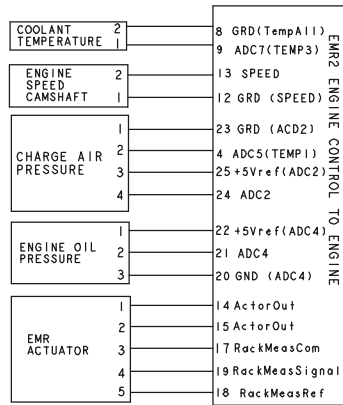


# SECTION 7 ELECTRICAL



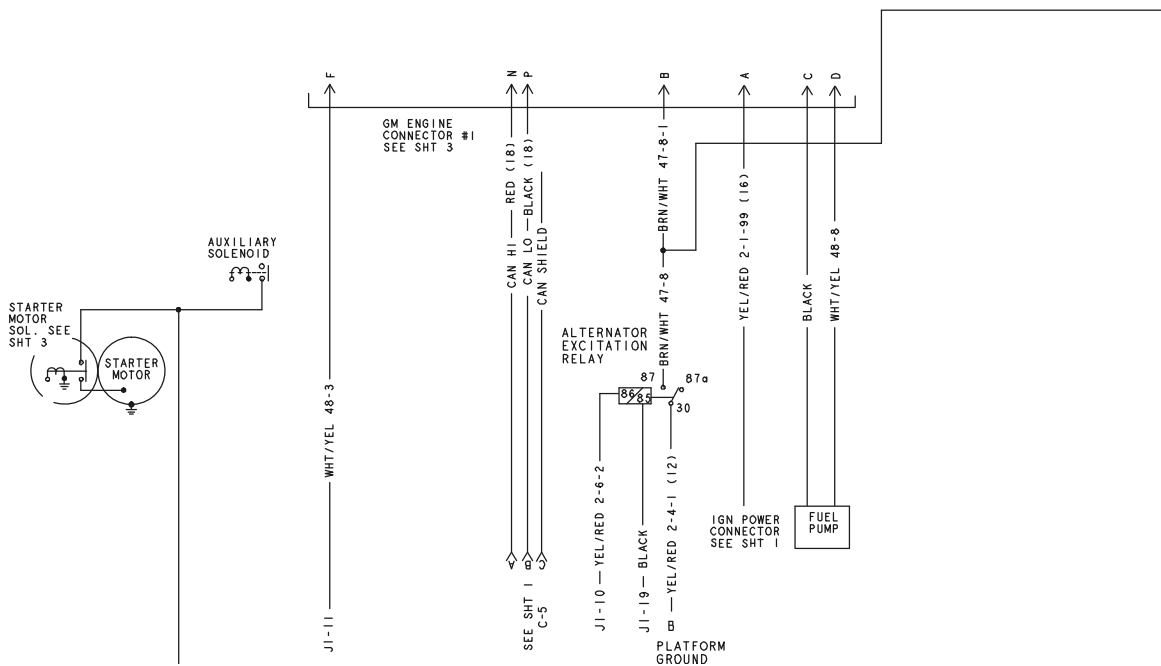
1870191 - G

# SECTION 7 ELECTRICAL

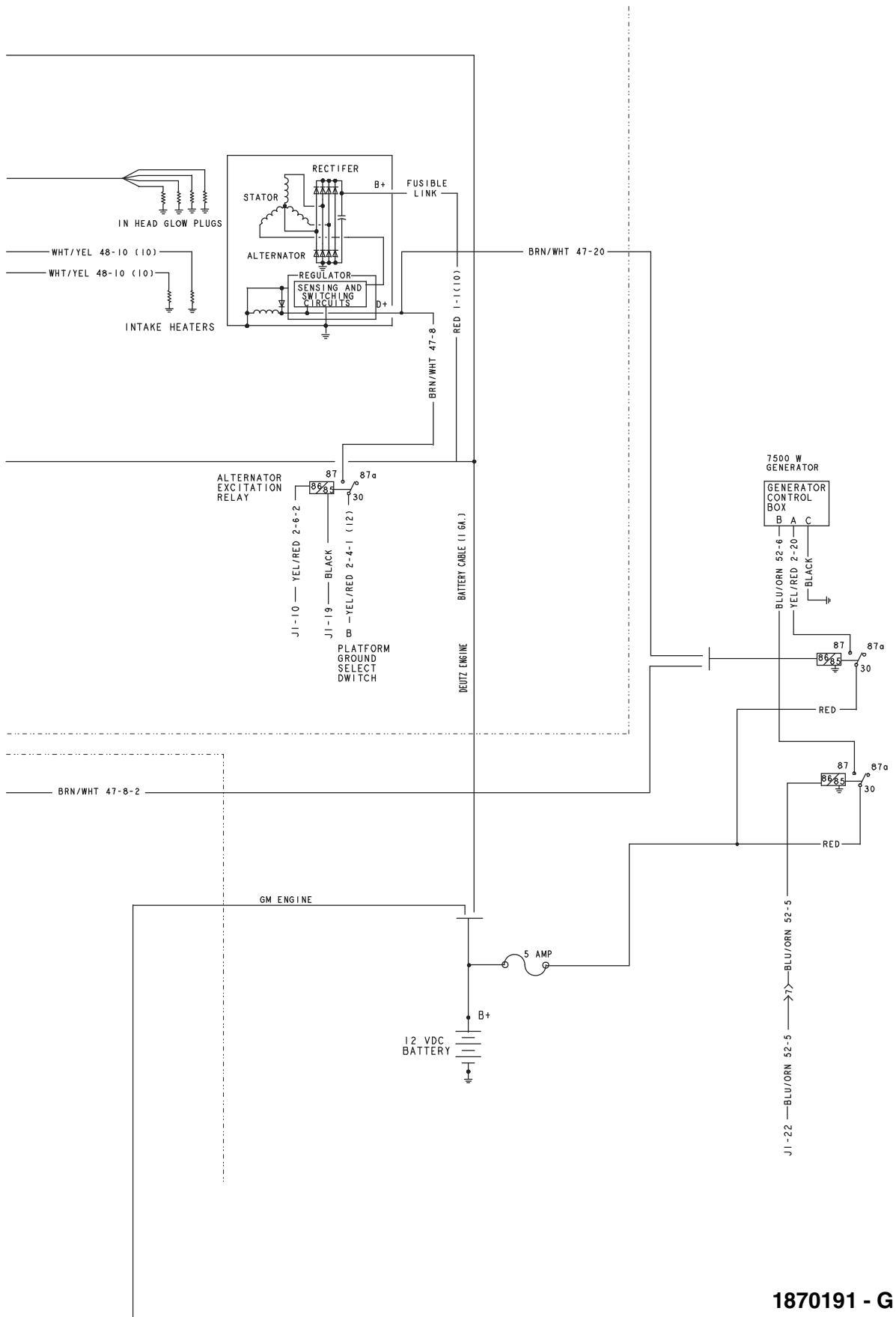


DEUTZ ENGINE      EUTZ ENGINE

GM ENGINE

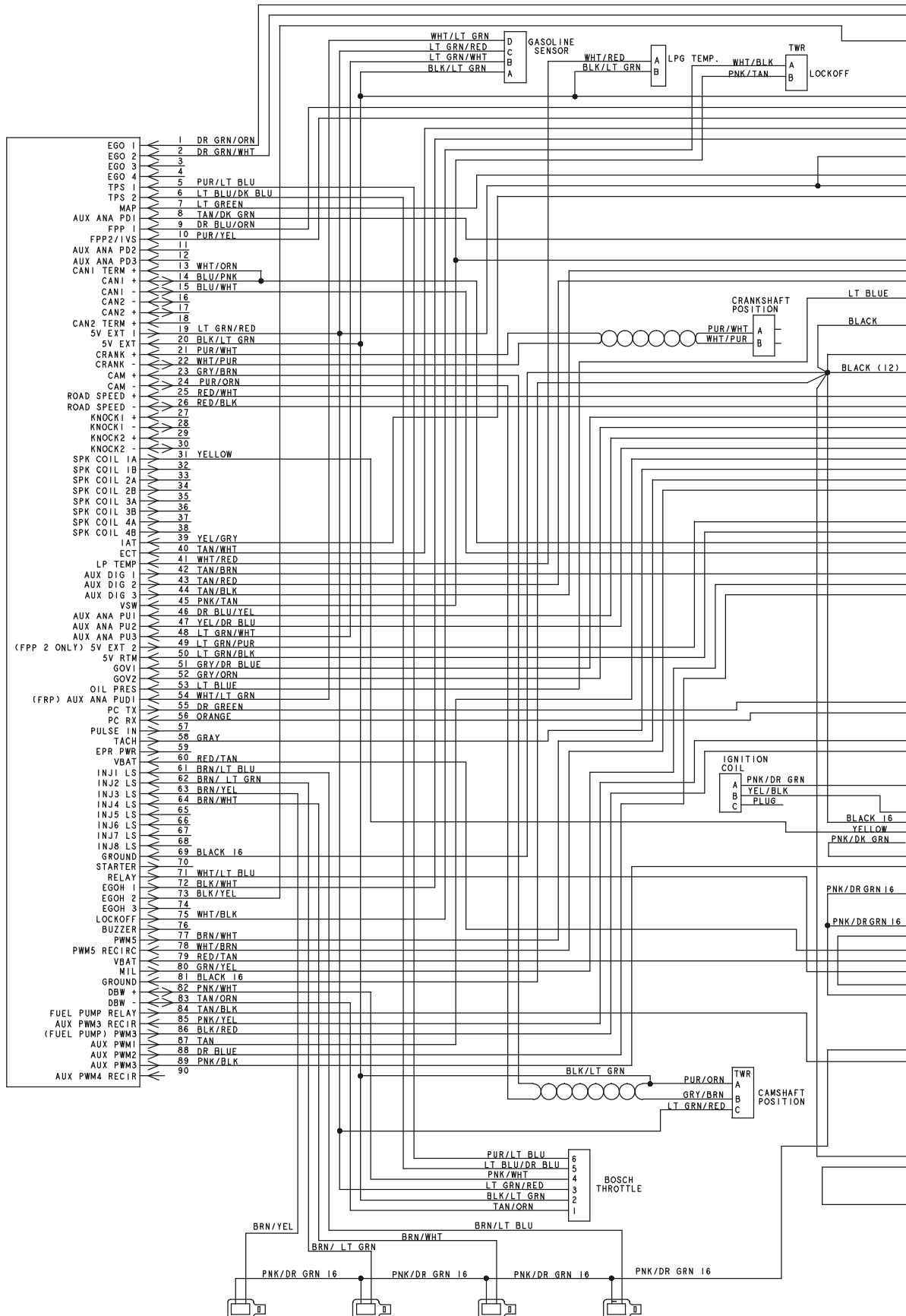


# SECTION 7 ELECTRICAL

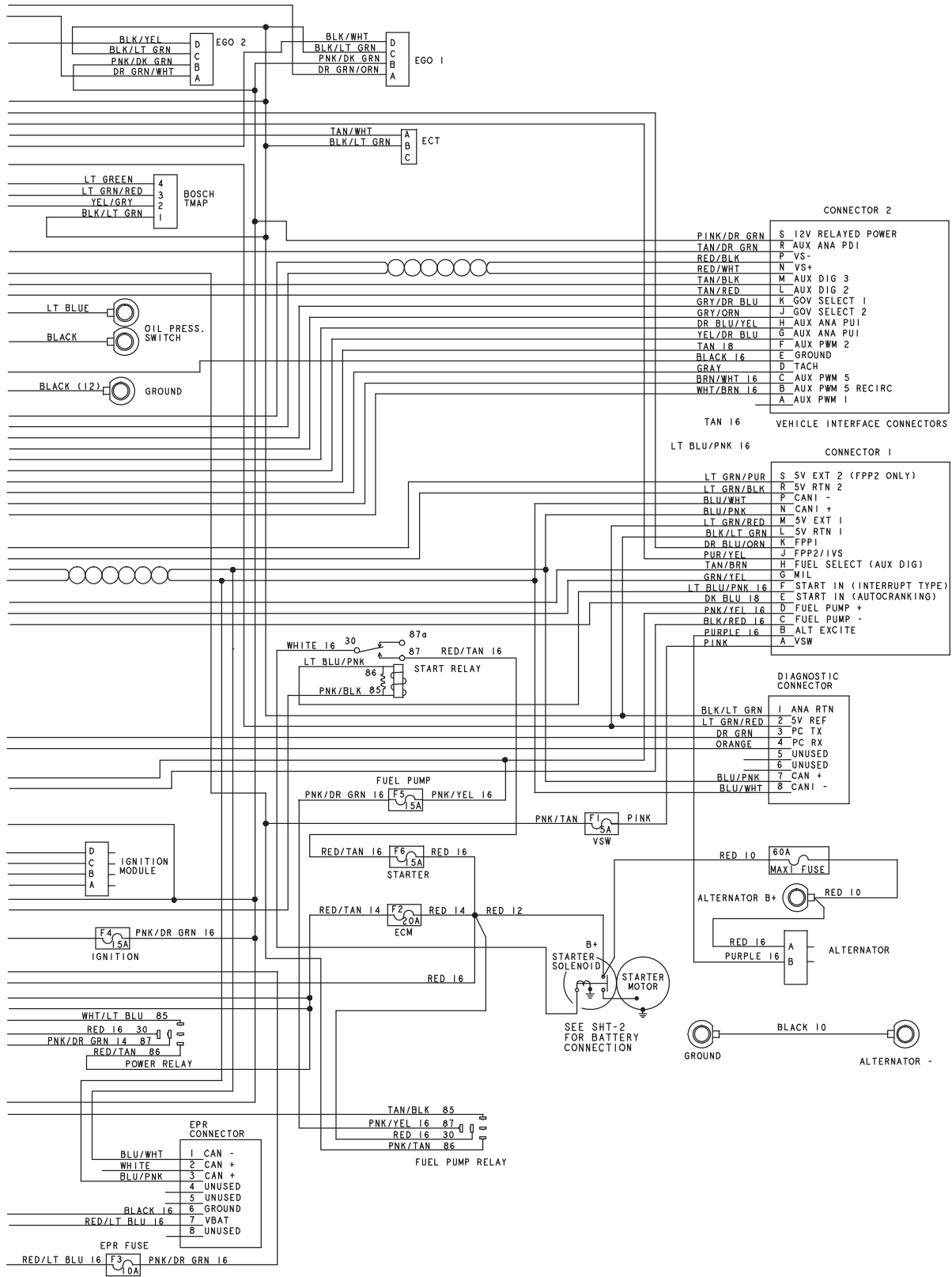


1870191 - G

# SECTION 7 ELECTRICAL



# SECTION 7 ELECTRICAL



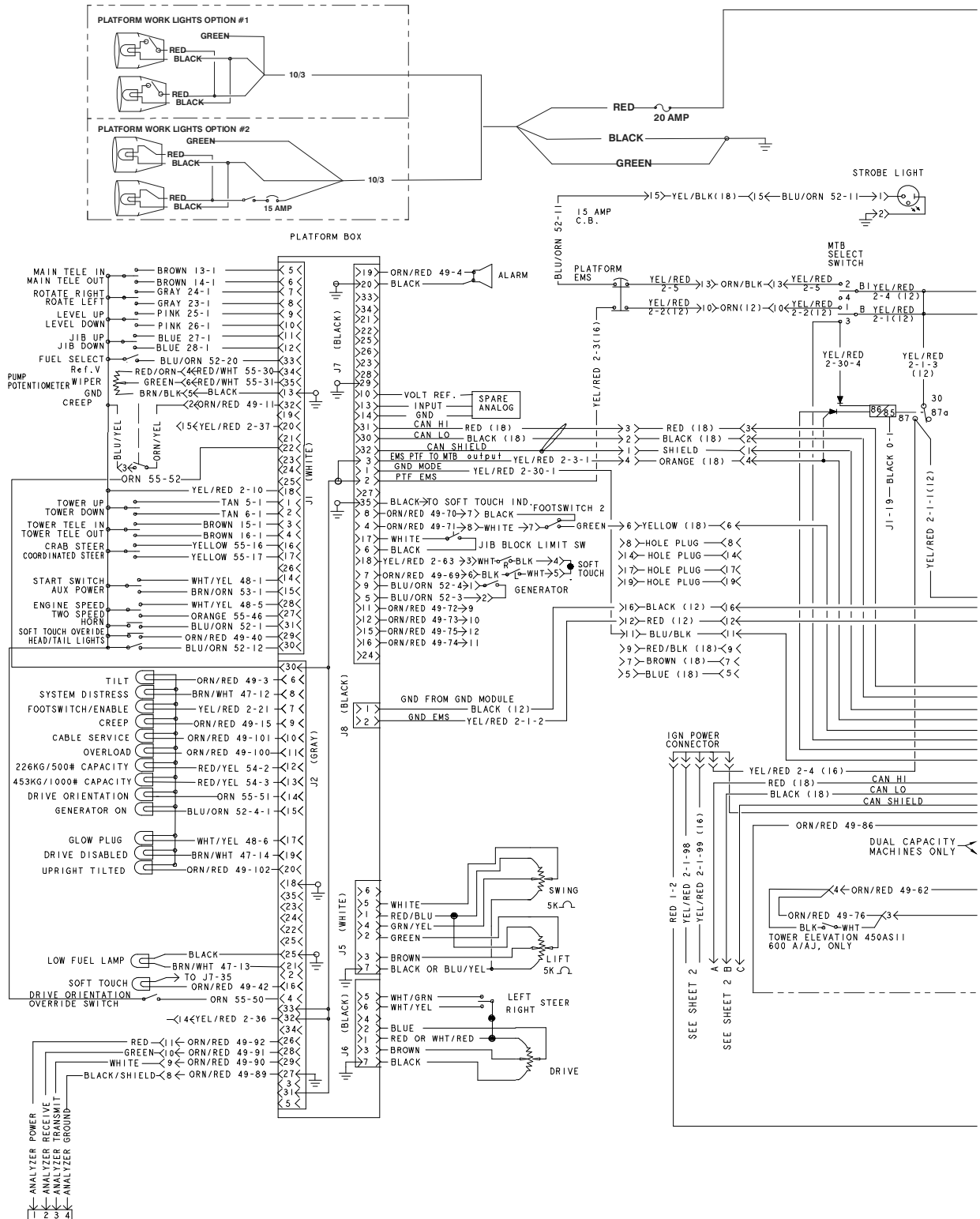
1870191 - G



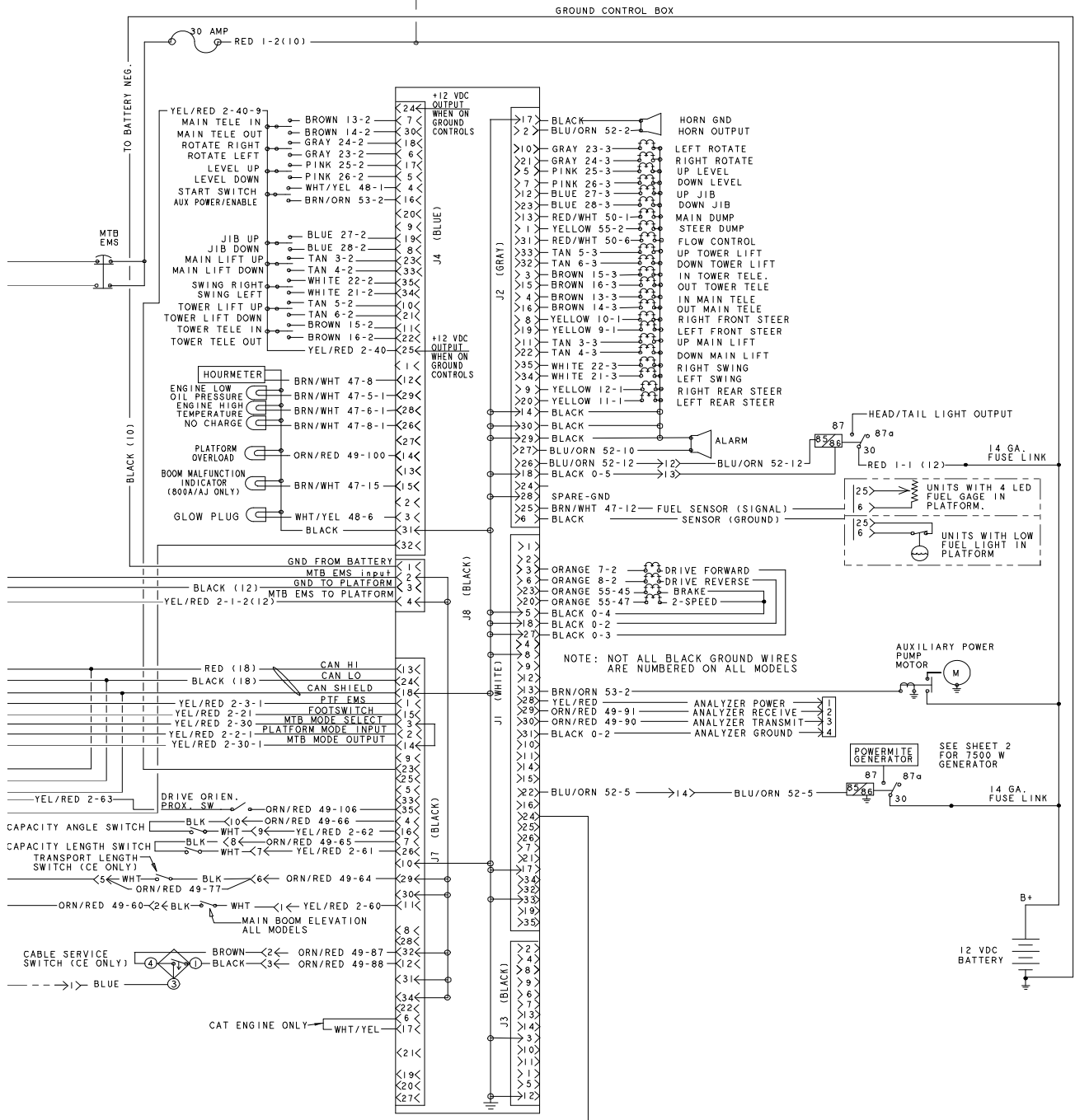
# SECTION 7 ELECTRICAL

## FIGURE 7-4. ELECTRICAL SCHEMATIC (CATERPILLAR, DEUTZ & GM MACHINES WITHOUT UGM) (USA BUILT MACHINES S/N 0300099061 TO PRESENT)

NOTE: FOR MODULE IDENTIFICATION, REFER TO REVISION LOG PAGE A

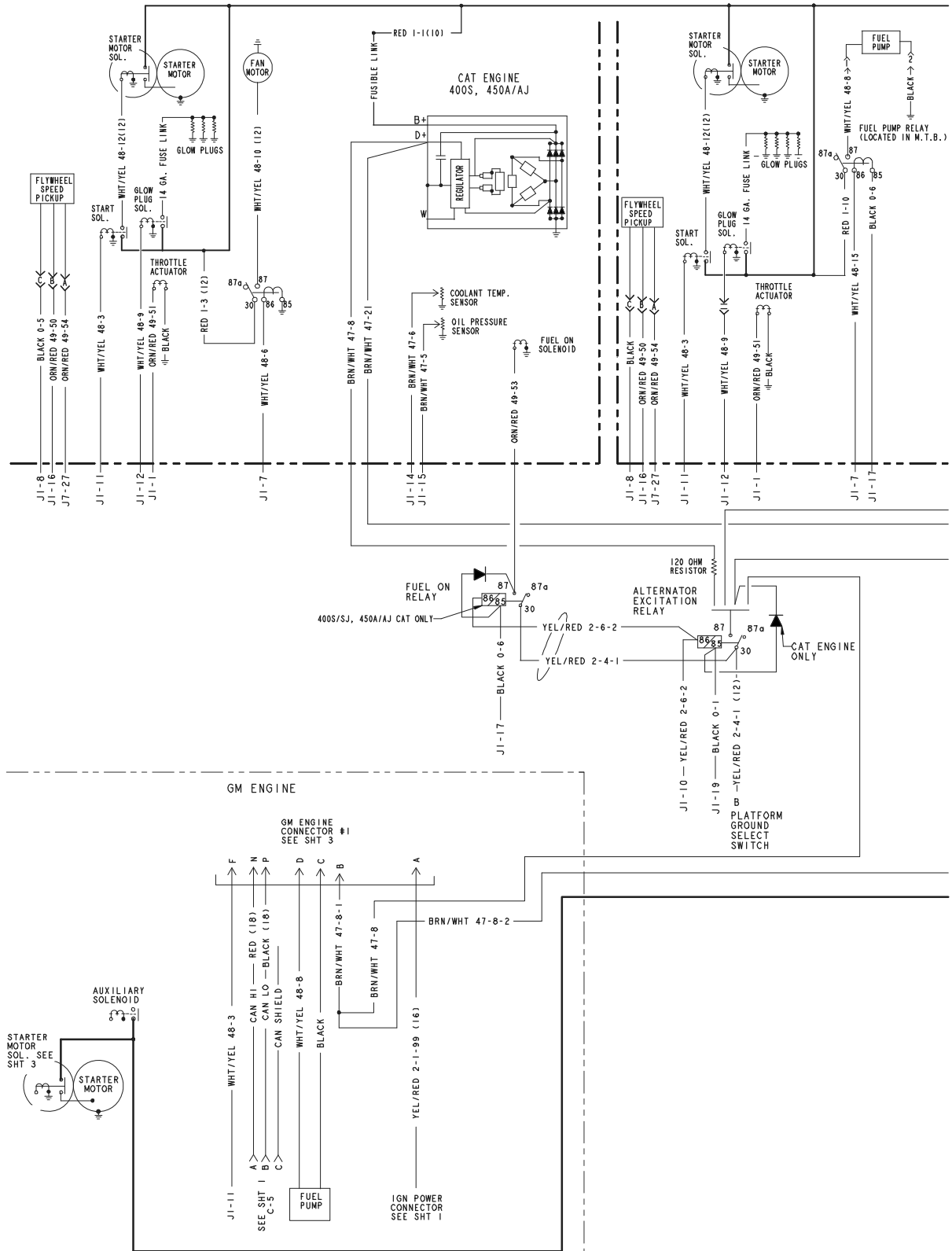


# SECTION 7 ELECTRICAL

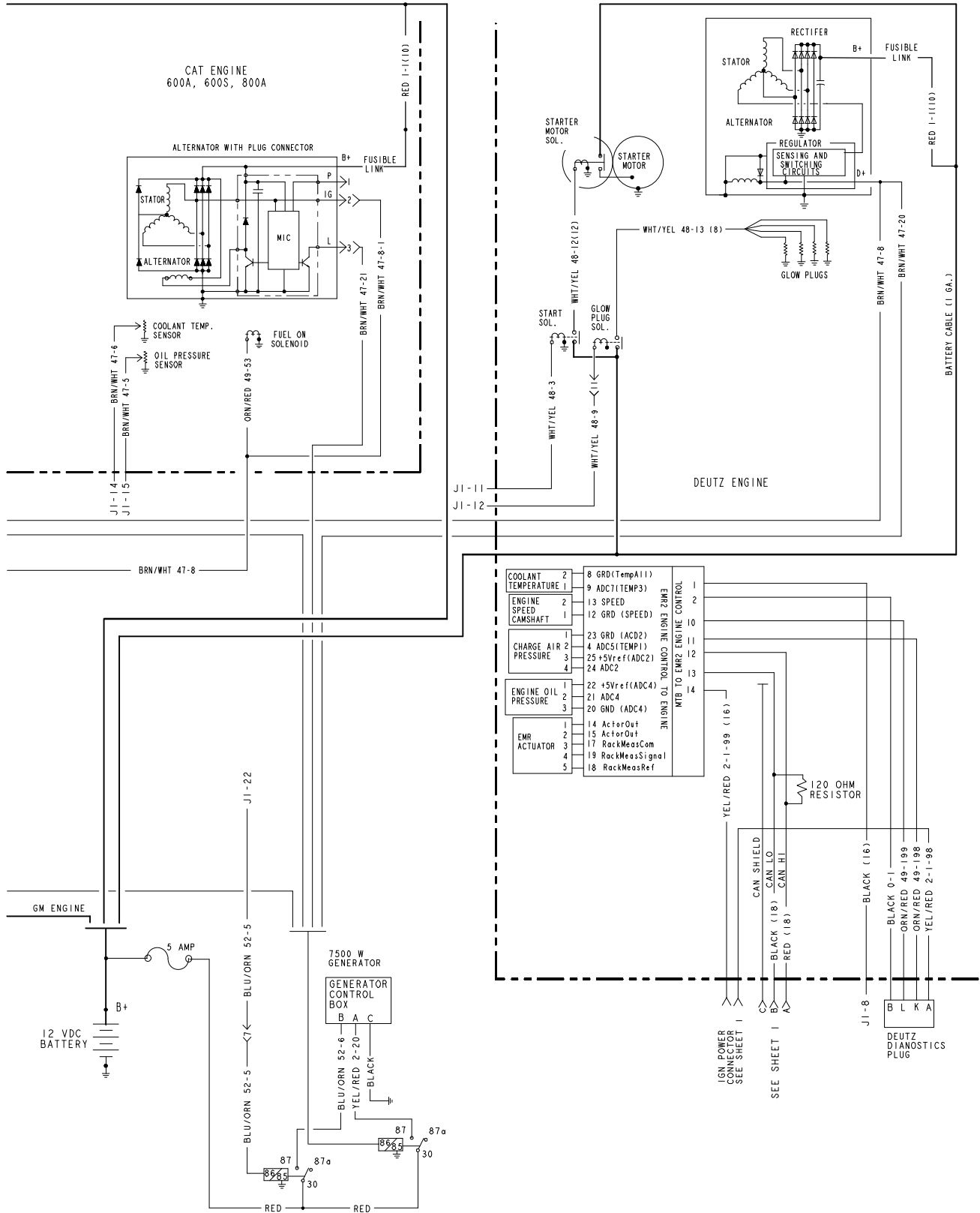


1870215 - D

# SECTION 7 ELECTRICAL

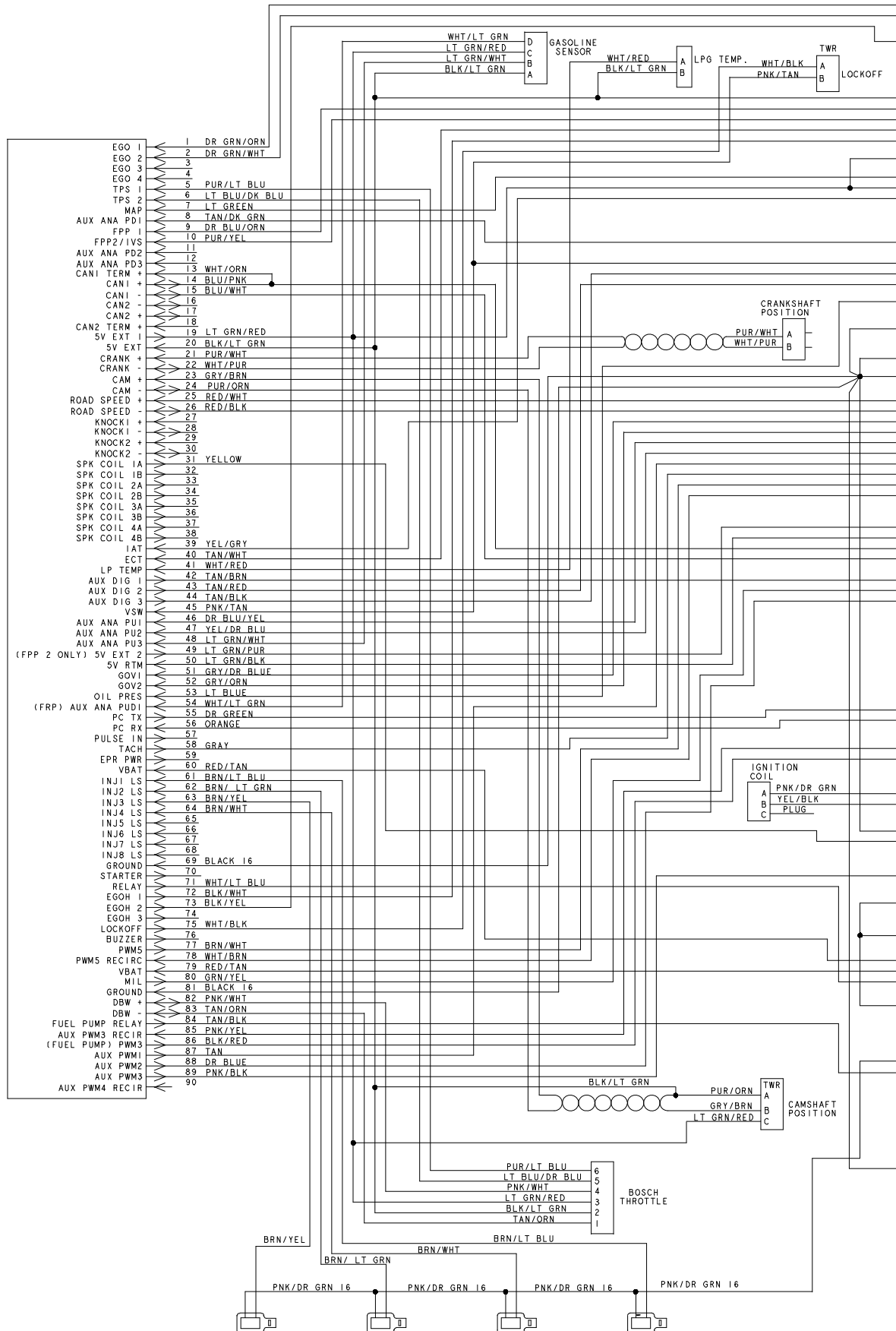


# SECTION 7 ELECTRICAL

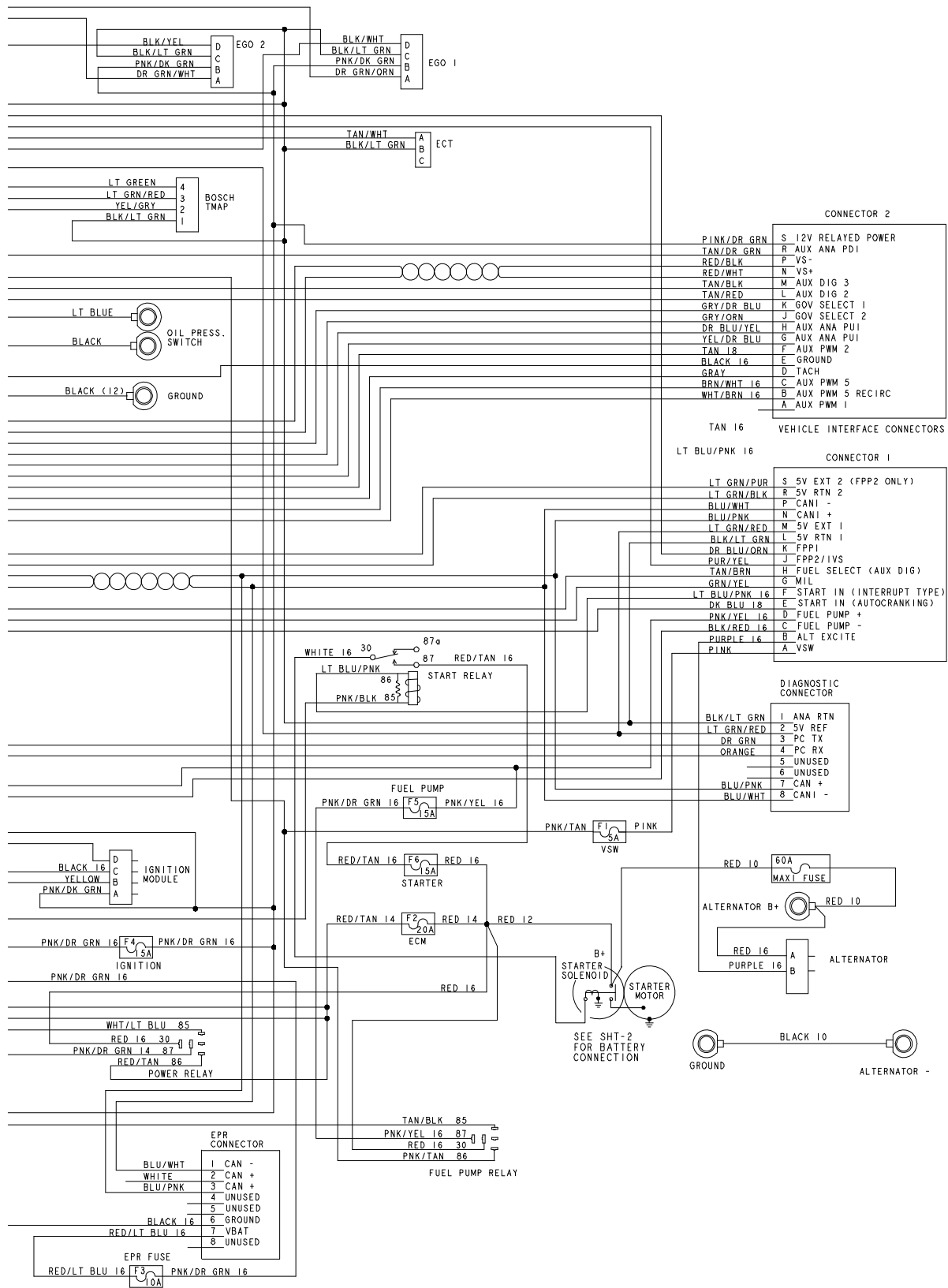


1870215 - D

# SECTION 7 ELECTRICAL



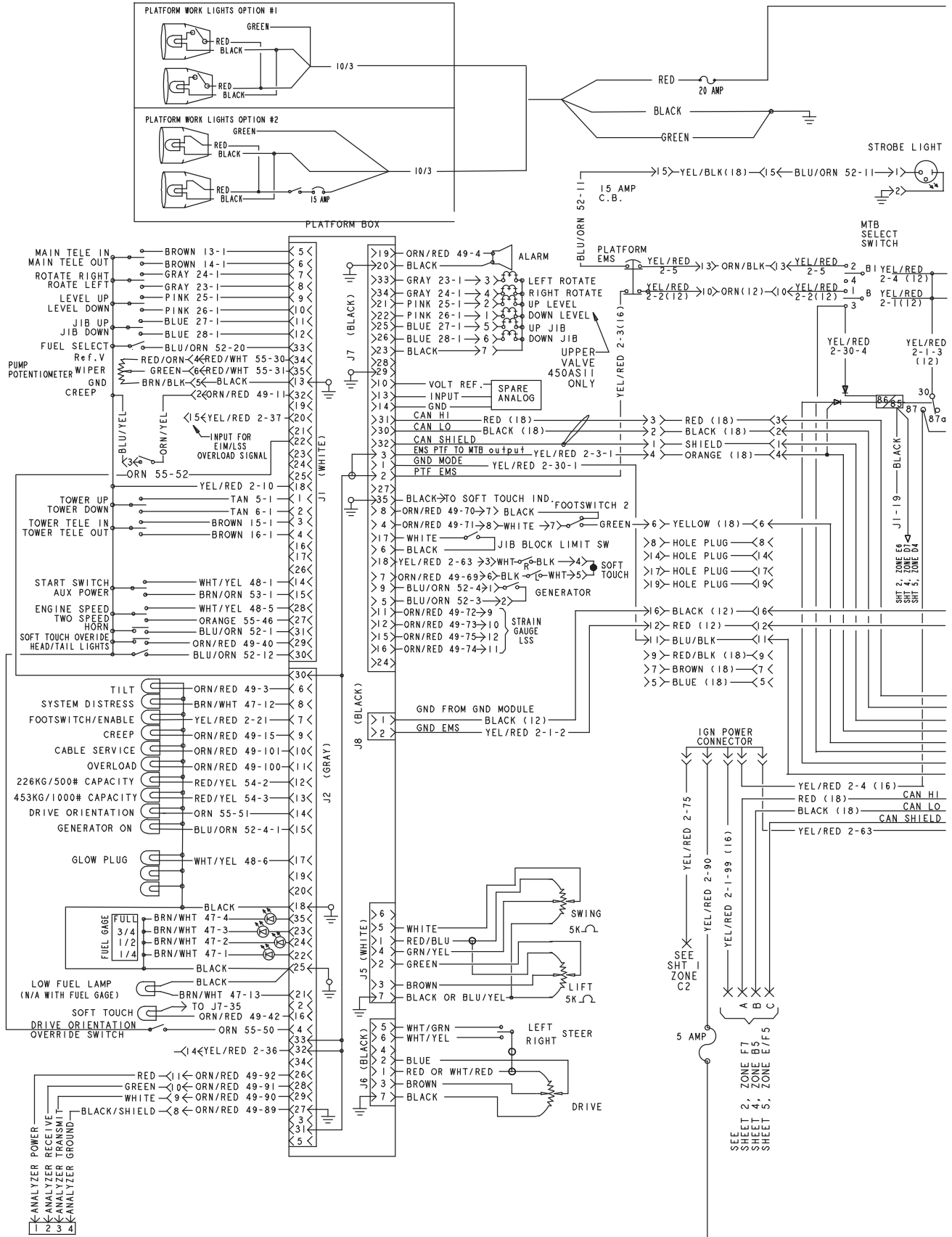
# SECTION 7 ELECTRICAL



1870215 - D

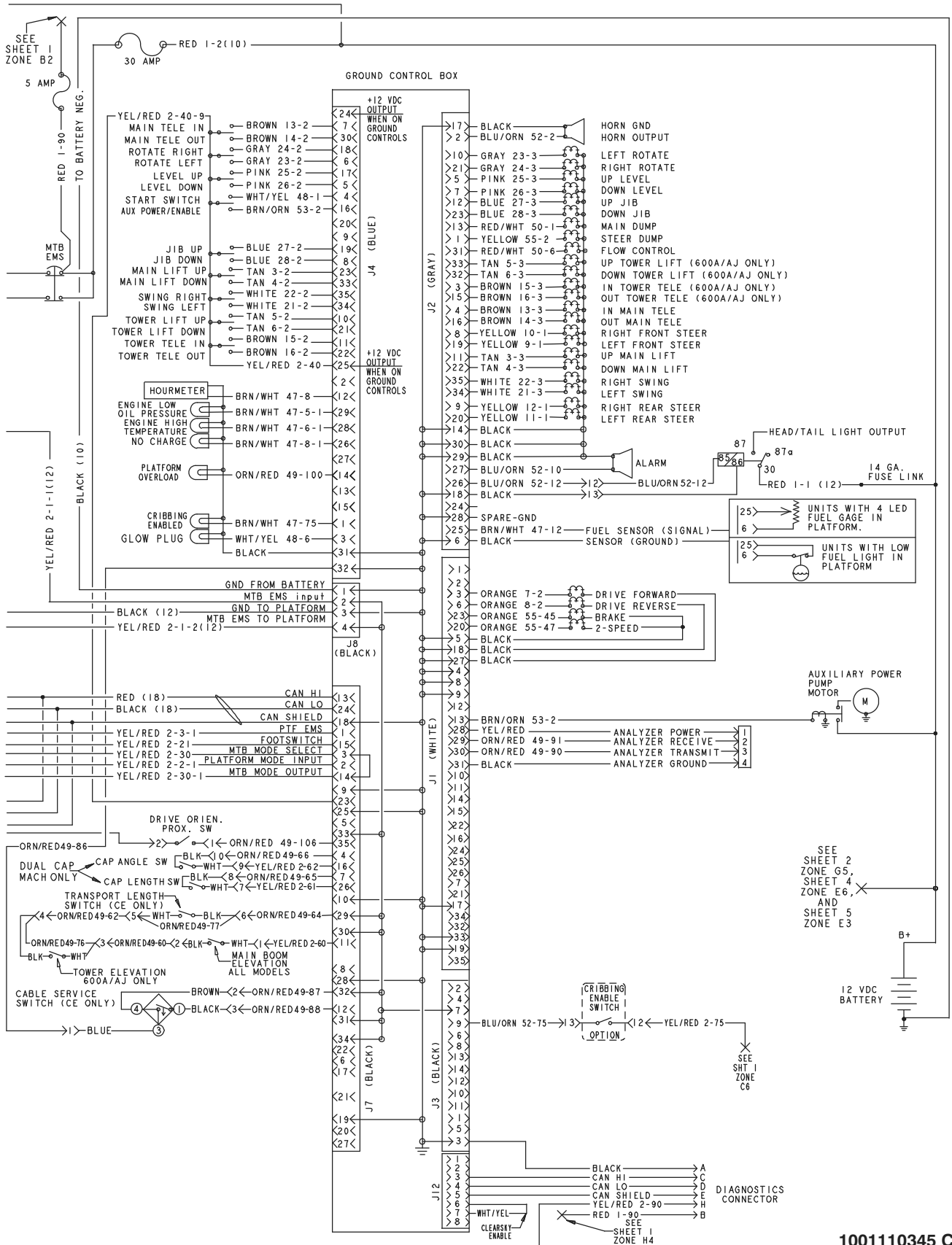
# SECTION 7 ELECTRICAL

## FIGURE 7-5. ELECTRICAL SCHEMATIC (MACHINES WITH UGM)



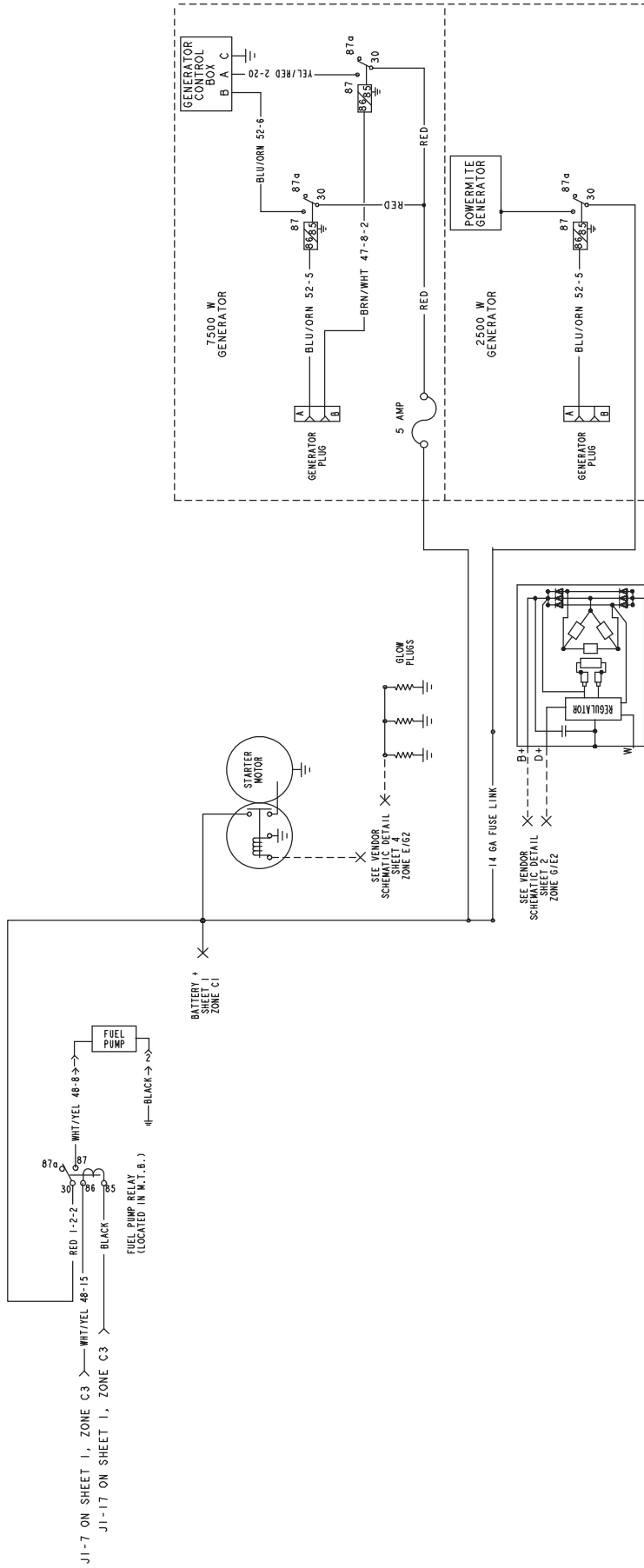
# SECTION 7 ELECTRICAL

NOTE: FOR MODULE IDENTIFICATION,  
REFER TO REVISION LOG PAGE A

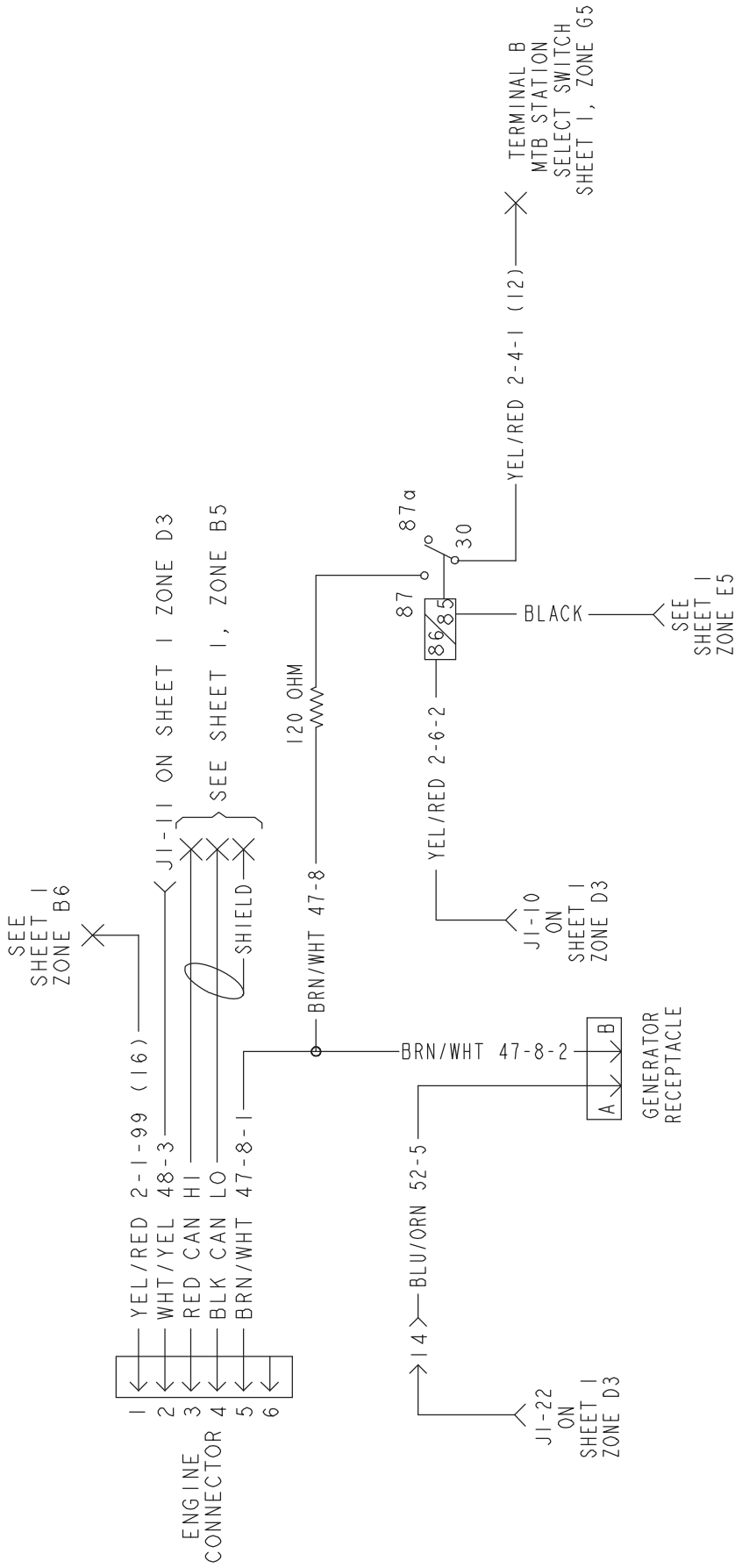




# SECTION 7 ELECTRICAL



JLG GENERATOR WIRING

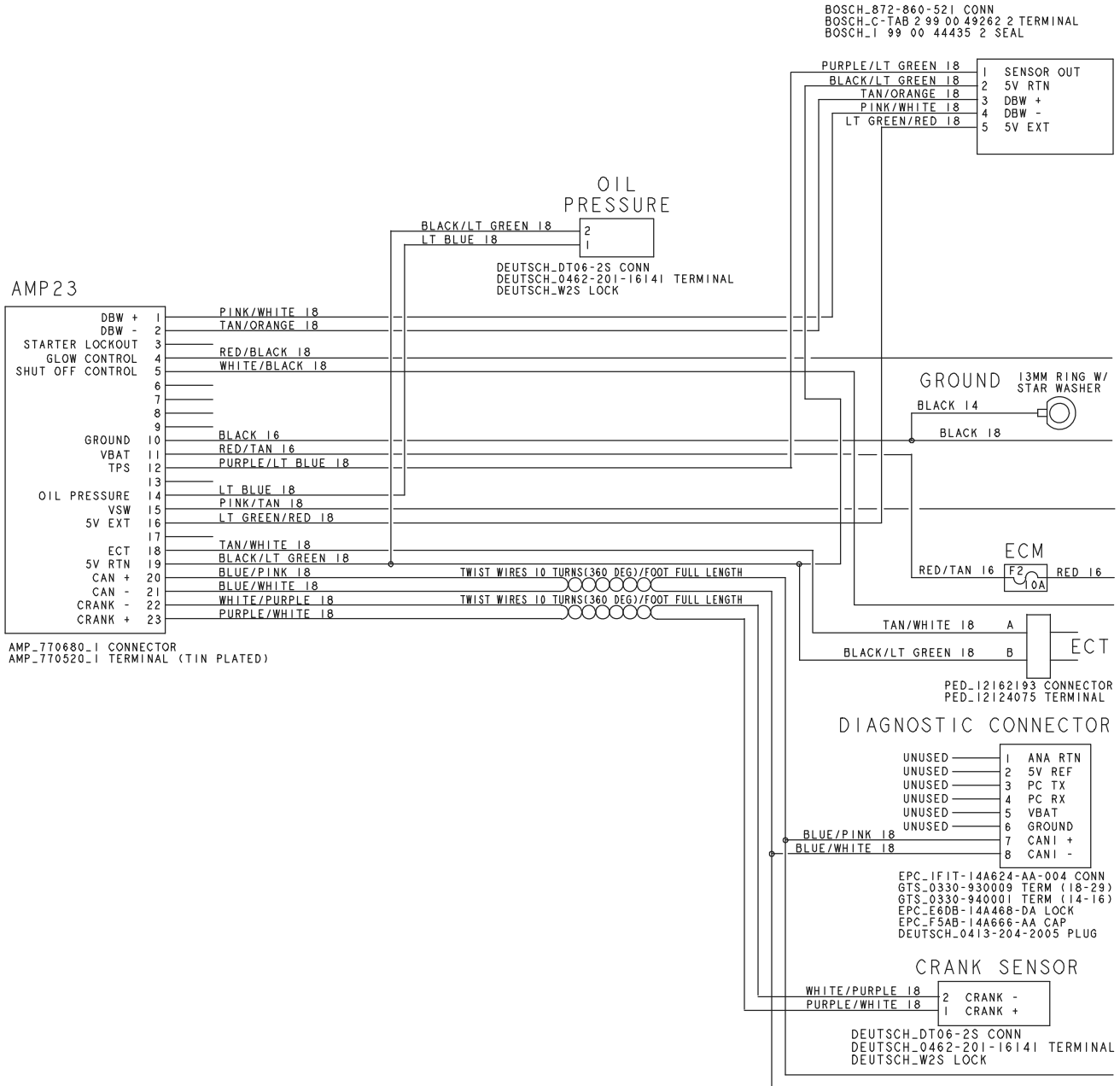


JLG WIRING  
FOR  
CAT ENGINE

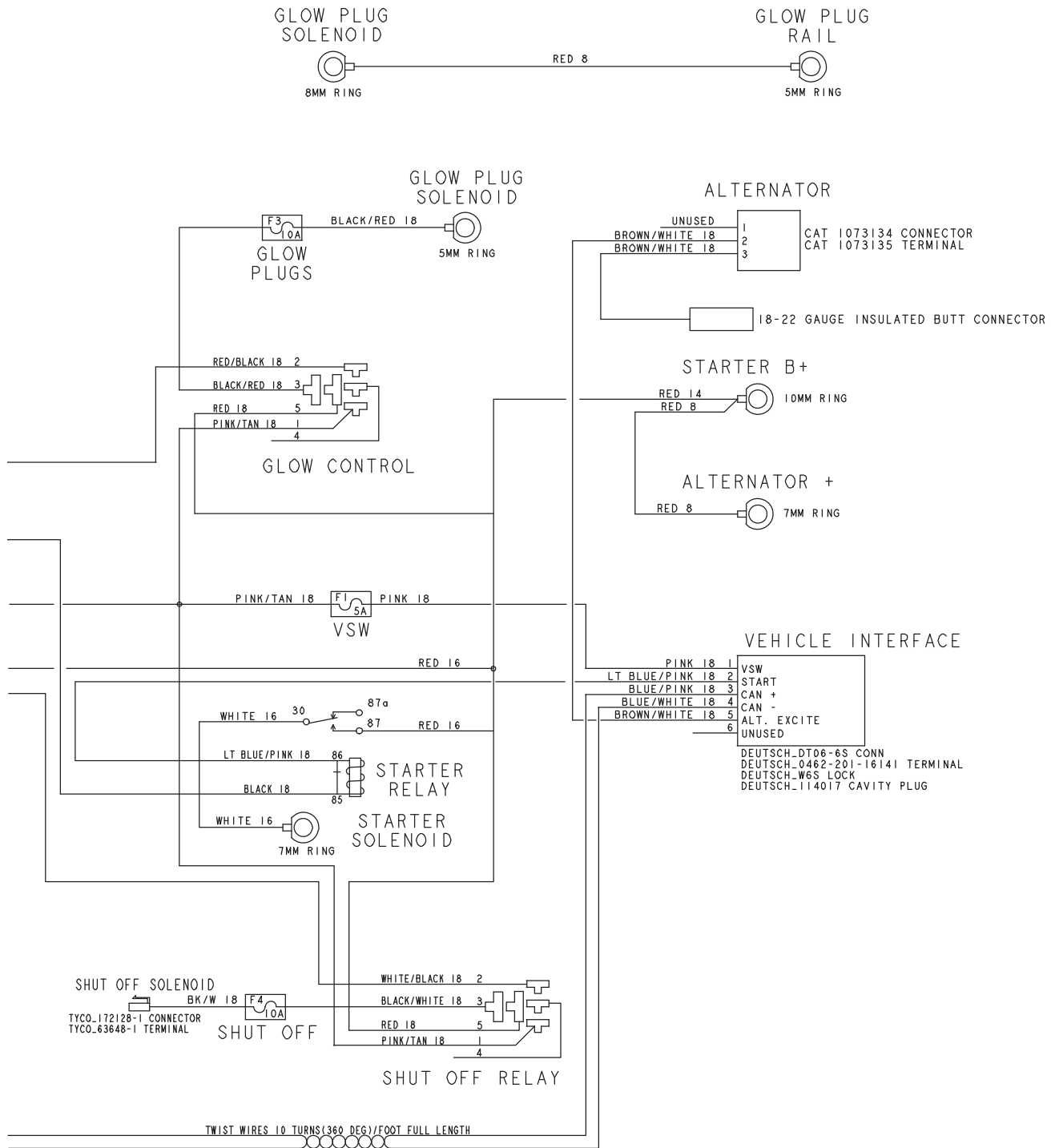
# SECTION 7 ELECTRICAL

## VENDOR SCHEMATIC CAT ENGINE HARNESS

### BOSCH GPA-S ACTUATOR



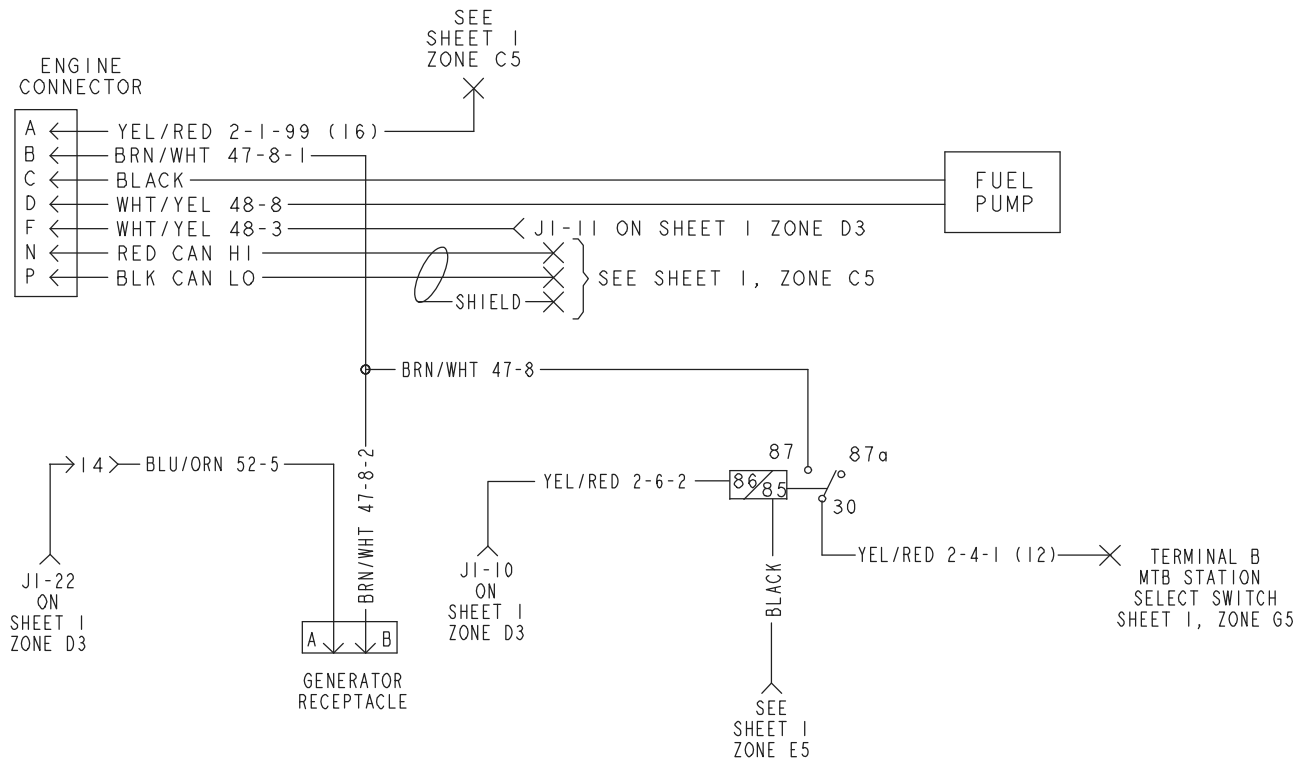
# SECTION 7 ELECTRICAL



1001110345 C



# SECTION 7 ELECTRICAL

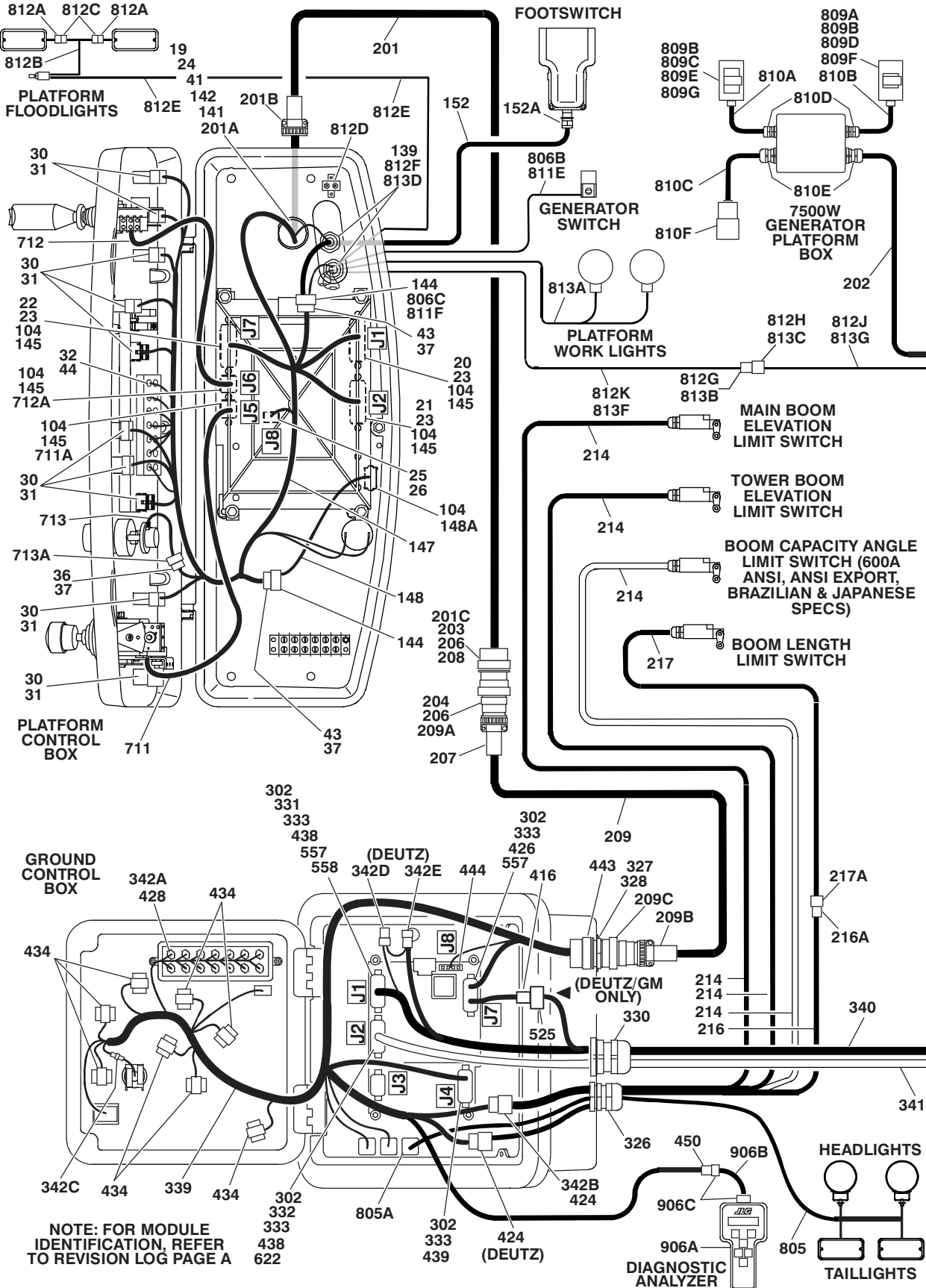


JLG SCHEMATIC  
FOR  
GM/PSI ENGINE

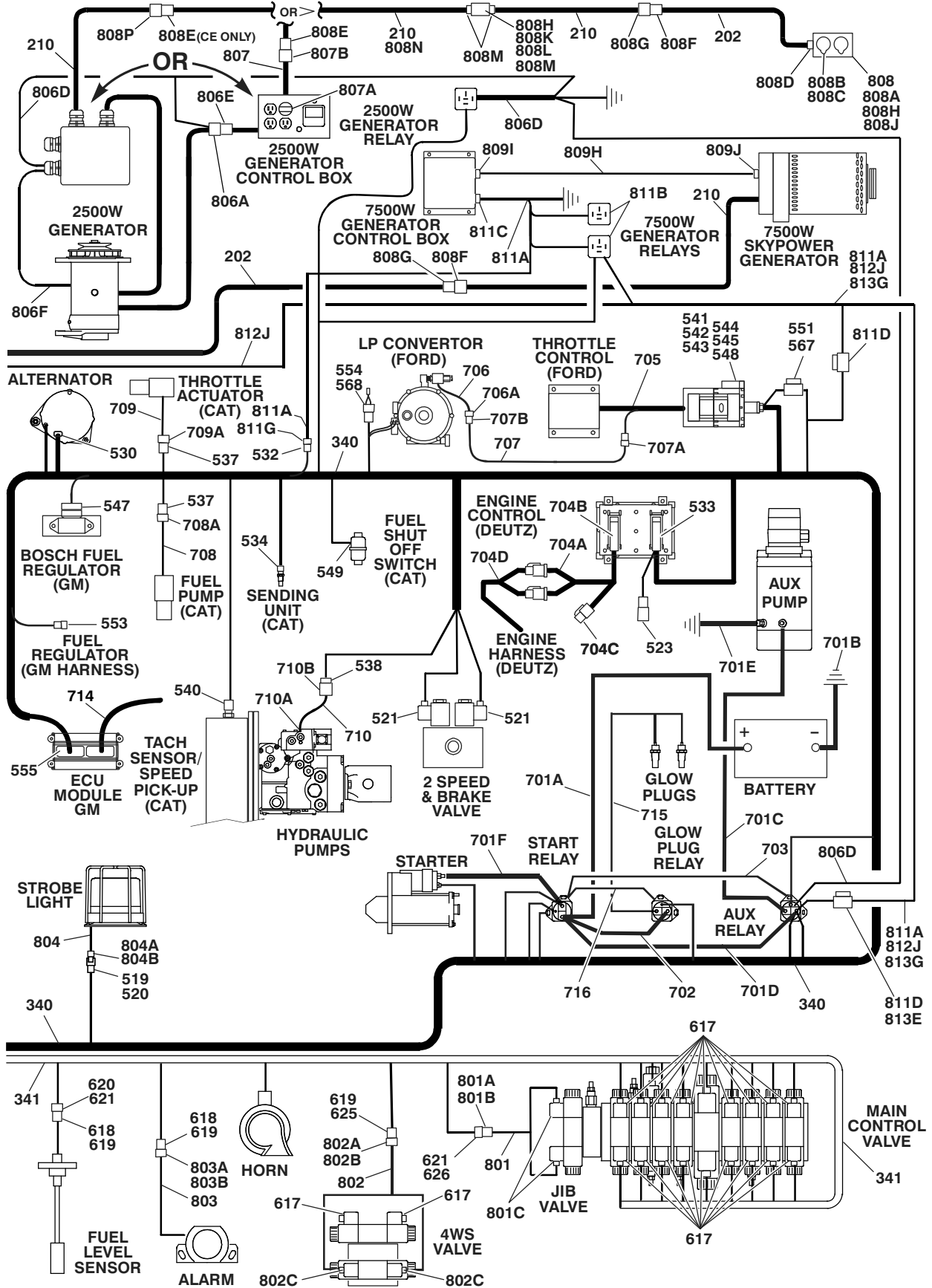
100110345 C

# SECTION 7 ELECTRICAL

FIGURE 7-6. HARNESS COMPONENTS INSTALLATION (WITHOUT UGM)



# SECTION 7 ELECTRICAL





# SECTION 7 ELECTRICAL

**FIGURE 7-6. HARNESS COMPONENTS INSTALLATION (WITHOUT UGM)**

ITEM #	PART NUMBER	QTY.	DESCRIPTION	REV.
		Ref.	<b>NOTE: FOR MODULE IDENTIFICATION, REFER TO REVISION LOG PAGE A.</b>	
		Ref.	<b>NOTE: MACHINES BUILT WITHOUT UGM ARE ALL USA BUILT MACHINES.</b>	
		Ref.	<b>PLATFORM BOX HARNESS ASSEMBLY</b>	
	4922639	Ref.	<b>S/N 0300087000 to S/N 0300136623</b>	8/I
	1001107753	Ref.	<b>S/N 0300136623 to Present</b>	C
1 to 18	Not Used			
19	4460866	1	Terminal, 19 Pin Connector	
20	4460874	1	Connector - 35 Position (Natural)	
21	4460875	1	Connector - 35 Position (Gray)	
22	4460873	1	Connector - 35 Position (Black)	
23	4460871	70	Socket, Female	
24	4460464	7	Pin, Male (16 Gauge)	
25	4460879	1	Terminal, Housing 2 Position	
26	4460887	2	Terminal, (12 Gauge)	
27 to 29	Not Used			
30	4460418	9	Connector - 6 Position	
31	4460419	27	Terminal, Female	
32	4120035	13	Base, Light	
33 to 35	Not Used			
36	4460225	1	Connector, Male- 6 Position	
37	4460227	6	Pin, Male	
38 to 40	Not Used			
41	4460508	3	Pin, Male (12 Gauge)	
42	Not Used			
43	4460434	2	Connector - 15 Position	
44	2920129	13	Lamp, Indicator	
		Ref.	<b>PLATFORM BOX ASSEMBLY COMPONENTS</b>	
101 to 103	Not Used			
104	0100048	A/R	Grease, Dielectric	
105 to 138	Not Used			
139	4460428	2	Connector, Strain Relief	
140	Not Used			
141	4460470	1	Nut, Terminal	
142	4460471	1	Lockwasher, Terminal	
143	Not Used			
144	4460708	2	Connector, Female - 15 Position	
145	4460905	5	Seal, Plug	
146	Not Used			
147	4922639	1	Harness, Platform Console Box (Includes Items 1-44)	
148	4922666	1	Harness, Analyzer Cable	2/B
	4460226	4	Socket, Female (Not Shown - Located at J2)	
148A	4460761	1	Connector, Female - 4 Position	
	4460227	4	Pin, Male	

## SECTION 7 ELECTRICAL

**FIGURE 7-6. HARNESS COMPONENTS INSTALLATION (WITHOUT UGM) (CONTINUED)**

ITEM #	PART NUMBER	QTY.	DESCRIPTION	REV.
149 to 151	Not Used			
152	See Note	1	Footswitch Harness ( <b>Note: Not Available for Purchase</b> )	
	1060918	8ft/2.4m	Cable, Electrical - 18/3	
152A	4460071	1	Connector, Strain Relief	
		Ref.	<b>BOOM CABLES INSTALLATION</b>	
		Ref.	<b>600A</b>	
	0270818	Ref.	<b>ANSI, ANSI Export, Brazilian, Japanese Specs without 7500W Generator</b>	6
	0272624	Ref.	<b>ANSI &amp; ANSI Export Specs with 7500W Generator</b>	2
	0275265	Ref.	<b>ANSI &amp; ANSI Export Specs with Arctic Package without 7500W Generator</b>	1
	1001093436	Ref.	<b>ANSI &amp; ANSI Export Specs with Arctic Package without 7500W Generator</b>	2/A
	0273427	Ref.	<b>Australian Spec without 7500W Generator</b>	1
	0273429	Ref.	<b>Australian Spec with 7500W Generator</b>	1
	0270819	Ref.	<b>CE &amp; Latin American Specs without 7500W Generator</b>	6
	0272626	Ref.	<b>CE, Japanese &amp; Latin American Specs with 7500W Generator</b>	2
		Ref.	<b>600AJ</b>	
	0270820	Ref.	<b>ANSI, ANSI Export, Brazilian, Japanese Specs without 7500W Generator</b>	6
	0272625	Ref.	<b>ANSI &amp; ANSI Export Specs with 7500W Generator</b>	2
	0275140	Ref.	<b>ANSI &amp; ANSI Export Specs with Arctic Package</b>	1
	1001093432	Ref.	<b>ANSI &amp; ANSI Export Specs with Arctic Package without 7500W Generator</b>	2/A
	0273428	Ref.	<b>Australian &amp; Latin American Specs without 7500W Generator</b>	1
	0273430	Ref.	<b>Australian &amp; Latin American Specs with 7500W Generator</b>	1
	0270821	Ref.	<b>CE Spec without 7500W Generator</b>	7
	0272627	Ref.	<b>CE Spec with 7500W Generator</b>	2
201		1	Harness, Main Boom Options:	
	4922493		Without Arctic Package	2/B
	4923472		With Arctic Package	1/A
		45.5ft/13.9m	Cable Options:	
	1060896		Without Arctic Package	
	4923462		With Arctic Package	
201A	4460865	1	Connector (19 Pin)	
	4460465	11	Socket, Female - #16	
	4460509	4	Socket, Female - #12	
	4460466	4	Seal, Plug	
201B	4460473	1	Clamp, Cable	
201C	4460464	11	Pin, Male (16-18 Gauge)	
	4460508	4	Pin, Male (10-12 Gauge)	
	2820118	A/R	Shrink, Heat	

## SECTION 7 ELECTRICAL

**FIGURE 7-6. HARNESS COMPONENTS INSTALLATION (WITHOUT UGM) (CONTINUED)**

ITEM #	PART NUMBER	QTY.	DESCRIPTION	REV.
202		1	Cable, Electrical (Main Boom) Options (Does not include plug ends): Without SkyPower: ANSI, ANSI Export, Brazilian, Japanese Specs (12/3) ANSI, ANSI Export Specs with Arctic Package (12/3) Australian, CE & Latin American Specs (12/3) With SkyPower: Machines without Arctic Package (8/5) Machines with Arctic Package (8/5) (S/N 0300087000 to S/N 0300121176) (was p/n 1001093433)	
	4922894			
	4923474			
	4922895			
	4922810			
	Use 4922810			
203	2820031	A/R	Shrink, Heat	
204	4460865	1	Connector (19 Pin)	
205	Not Used			
206	4460466	8	Seal, Plug	
207	4460473	1	Clamp, Cable	
208	4460866	1	Connector (19 Pin)	
209		1	Harness, Tower Boom Cable Options:	
	4922494		Without Arctic Package	2/B
	4923473		With Arctic Package	1/A
		35.5ft/10.8m	Cable Options:	
	1060896		Without Arctic Package	
	4923462		With Arctic Package	
209A	4460465	11	Socket, Female - #16	
	4460509	4	Socket, Female - #12	
	2820118	A/R	Shrink, Heat	
209B	4460473	1	Clamp, Cable	
209C	4460865	1	Connector (19 Pin)	
	4460465	11	Socket, Female - #16	
	4460509	4	Socket, Female - #12	
	4460466	4	Seal, Plug	
210		1	Cable, Electrical (Tower Boom) Options (Does not include plug ends): Without SkyPower: ANSI, ANSI Export, Brazilian, Japanese Specs (12/3) ANSI, ANSI Export Specs with Arctic Package (12/3) Australian, CE & Latin American Specs (12/3) With SkyPower: Machines without Arctic Package (8/5) Machines with Arctic Package (8/5) (S/N 0300087000 to S/N 0300121176) (was p/n 1001093448)	
	4922892			
	4923475			
	4922893			
	4922811			
	Use 4922811			
211 to 213	Not Used			
214	1061033	A/R	Cable, Electrical - 18/2 Main Boom Limit Switch	
		3	600A ANSI, ANSI Export, Brazilian & Japanese Specs	
		2	600AJ ANSI, ANSI Export, Brazilian, Japanese Specs	
		2	600A & 600AJ Australian, CE & Latin American Specs	
	4923476	3	600A ANSI, ANSI Export Spec with Arctic Package	
	4923476	2	600AJ ANSI, ANSI Export Spec with Arctic Package	
215	Not Used			

## SECTION 7 ELECTRICAL

**FIGURE 7-6. HARNESS COMPONENTS INSTALLATION (WITHOUT UGM) (CONTINUED)**

ITEM #	PART NUMBER	QTY.	DESCRIPTION	REV.
216		A/R	Cable, Electrical - 18/2 Main Boom Length Options:	
	4922891	1	600A All Specs except Australian & Latin American Specs	1/A
	Not Required	0	600A Australian & Latin American Specs	
	4923500	1	600A ANSI, ANSI Export Spec with Arctic Package	1/A
	Not Required	0	600AJ All Specs except CE Spec	
	4922891	1	600AJ CE Spec	1/A
216A	Not Required	0	600AJ ANSI, ANSI Export Spec with Arctic Package	
	4460891	1	Plug, Male - 2 Position	
	4460465	2	Socket, Female	
	217	A/R	Cable, Electrical - 18/2 Main Boom Length Options:	
217		A/R	Cable, Electrical - 18/2 Main Boom Length Options:	
	4922890	1	600A All Specs except Australian & Latin American Specs	1/A
	Not Required	0	600A Australian & Latin American Specs	
	4923501	1	600A ANSI, ANSI Export Spec with Arctic Package	1/A
	Not Required	0	600AJ All Specs except CE Spec	
	4922896	1	600AJ CE Spec	1/A
217A	Not Required	0	600AJ ANSI, ANSI Export Spec with Arctic Package	
	4460897	1	Receptacle, Female - 2 Position	
	4460464	2	Pin, Male	
		Ref.	<b>GROUND CONTROL BOX COMPONENTS</b>	
		Ref.	<b>600A:</b>	
		Ref.	<b>S/N 0300087000 to S/N 0300099061:</b>	
	0861700	Ref.	<b>Caterpillar Engine (ANSI &amp; ANSI Export Specs)</b>	B
	0861702	Ref.	<b>Caterpillar Engine (Australian &amp; CE Specs)</b>	B
	0861689	Ref.	<b>Deutz Engine (ANSI &amp; ANSI Export Specs)</b>	B
	0861691	Ref.	<b>Deutz Engine (Australian &amp; CE Specs)</b>	B
	0861704	Ref.	<b>Ford Engine (ANSI &amp; ANSI Export Specs)</b>	B
	0861786	Ref.	<b>GM Engine (ANSI &amp; ANSI Export Specs)</b>	B
		Ref.	<b>S/N 0300099061 to Present:</b>	
	1810061	Ref.	<b>Caterpillar Engine (ANSI &amp; ANSI Export Specs)</b>	D
	1810062	Ref.	<b>Caterpillar Engine (Australian &amp; CE Specs)</b>	E
	1810059	Ref.	<b>Deutz Engine (ANSI &amp; ANSI Export Specs)</b>	C
	1810060	Ref.	<b>Deutz Engine (Australian &amp; CE Specs)</b>	C
	1810058	Ref.	<b>GM Engine (ANSI &amp; ANSI Export Specs)</b>	B
		Ref.	<b>600AJ:</b>	
		Ref.	<b>S/N 0300087000 to S/N 0300099061:</b>	
	0861701	Ref.	<b>Caterpillar Engine (ANSI &amp; ANSI Export Specs)</b>	B
	0861703	Ref.	<b>Caterpillar Engine (Australian &amp; CE Specs)</b>	B
	0861690	Ref.	<b>Deutz Engine (ANSI &amp; ANSI Export Specs)</b>	B
	0861692	Ref.	<b>Deutz Engine (ANSI &amp; ANSI Export Specs)</b>	B
	0861705	Ref.	<b>Ford Engine (ANSI &amp; ANSI Export Specs)</b>	B
	0861787	Ref.	<b>GM Engine (ANSI &amp; ANSI Export Specs)</b>	B
		Ref.	<b>S/N 0300099061 to Present:</b>	
	1810066	Ref.	<b>Caterpillar Engine (ANSI &amp; ANSI Export Specs)</b>	D
	1810067	Ref.	<b>Caterpillar Engine (Australian &amp; CE Specs)</b>	E
	1810064	Ref.	<b>Deutz Engine (ANSI &amp; ANSI Export Specs)</b>	C
	1810065	Ref.	<b>Deutz Engine (Australian &amp; CE Specs)</b>	C
	1810063	Ref.	<b>GM Engine (ANSI &amp; ANSI Export Specs)</b>	B

## SECTION 7 ELECTRICAL

**FIGURE 7-6. HARNESS COMPONENTS INSTALLATION (WITHOUT UGM) (CONTINUED)**

ITEM #	PART NUMBER	QTY.	DESCRIPTION	REV.
301	Not Used			
302	0100048	A/R	Grease, Dielectric	
303 to 325	Not Used			
326	4460426	1	Terminal, Strain Relief	
327	4460470	1	Nut, Terminal	
328	4460471	1	Lockwasher, Terminal	
329	Not Used			
330	4460526	1	Connector, Strain Relief	
331	4460874	1	Connector, Natural	
332	4460875	1	Connector, Gray	
333	4460905	4	Connector, Amp Seal Plug	
334 to 338	Not Used			
339		1	Ground Control Box Harness Assembly Options (See Items 401-453 for Breakdown)	
	4923231		Caterpillar & Ford Engine (S/N 0300087000 to S/N 0300099061)	
	4923223		Deutz & GM Engine (S/N 0300087000 to S/N 0300099061)	
	4923575		Caterpillar, Deutz & GM Engine (S/N 0300099061 to Present)	
340			Engine Harness Assembly (See 501 to 566 for Breakdown)	
	4923227	1	Caterpillar Engine Machines (S/N 0300087000 to S/N 0300099061)	
	4923576	1	Caterpillar Engine Machines (S/N 0300099061 to Pres- ent)	
	3990001	1	Diode (S/N 0300090378 to Present )	
	4923212	1	Deutz Engine Machines (S/N 0300087000 to Present)	
	4923226	1	Ford Engine Machines	
	4923492	1	GM Engine Machines	
341	4923224	1	Valve Harness Assembly (See 601 to 626 for Breakdown):	
342		1	Ground Control Box Wiring Diagram (Not Shown)	
			S/N 0300087000 to S/N 0300099061:	
	4933329		Caterpillar Engine (ANSI & ANSI Export Specs)	3/D
	4933330		Caterpillar Engine (Australian & CE Specs)	3/C
	4933319		Deutz Engine	F
	4933331		Ford Engine	2/B
	4933354		GM Engine	C
			S/N 0300099061 to Present:	
	4933363		Caterpillar Engine (All Specs)	D
	4933362		Deutz Engine	D
	4933361		GM Engine	D
342A	2920129	A/R	Bulb, Light	
342B	4460708	1	Connector, Female - 15 Position	
	4460226	A/R	Socket, Female	
	4922637	1	Harness, Jumper (Not Shown)	
342C	2400065	1	Fuse, 30Amp	
	2400066	1	Fuse, Holder with Cover	
342D	4460894	1	Plug, Male - 6 Position (Deutz all & Caterpillar S/N 0300099061 to Present)	
	4460892	1	Connector, Female - 6 Position (Deutz all & Caterpillar S/N 0300099061 to Present)	

## SECTION 7 ELECTRICAL

**FIGURE 7-6. HARNESS COMPONENTS INSTALLATION (WITHOUT UGM) (CONTINUED)**

ITEM #	PART NUMBER	QTY.	DESCRIPTION	REV.
342E	4460539	1	Plug, Male - 3 Position (Caterpillar Only)	
	2902443	1	Receptacle Kit (Deutz Only)	
	4461071	8	Socket, Female	
	4461072	1	Receptacle	
	4461073	1	Cap, Dust	
	4461074	1	Shell, Black	
342F	4923591	1	Harness, Jumper (Not Shown - Located on Module J7-6 to J7-17 Caterpillar Only)	
		Ref.	<b>GROUND CONTROL HARNESS ASSEMBLY</b>	
	4923231	Ref.	<b>Caterpillar &amp; Ford Engine (S/N 0300087000 to S/N 0300099061)</b>	5/E
	4923223	Ref.	<b>Deutz &amp; GM Engine (S/N 0300087000 to S/N 0300099061)</b>	G
	4923575	Ref.	<b>Caterpillar, Deutz &amp; GM Engine (S/N 0300099061 to Present)</b>	C
401 to 415	Not Used			
416	4460536	1	Connector, Female 3- Position (Deutz & GM all & Caterpillar S/N 0300099061 to Present)	
	4460943	3	Pin, Male (Deutz & GM all & Caterpillar S/N 0300099061 to Present)	
417 to 420	Not Used			
421	3990010	2	Diode - 6 Amp (Not Shown)	
422 to 423	Not Used			
424	4460434	A/R	Connector, Male 15 - Position	
	4460227	A/R	Pin	
425	Not Used			
426	4460873	1	Connector, Male - 35 Position (Black)	
	4460871	A/R	Socket, Female	
	4460905	A/R	Plug, Seal	
427	Not Used			
428	4120035	A/R	Base, Light	
	4460634	A/R	Terminal (16 Gauge)	
	4460635	A/R	Terminal (12 Gauge)	
429 to 433	Not Used			
434	4460418	A/R	Connector, Female - 6 Position	
	4460419	A/R	Socket, Female	
435 to 437	Not Used			
438	4460871	11	Socket, Female	
439	4460876	1	Connector, Male - 35 Position (Blue)	
	4460871	A/R	Socket, Female	
	4460905	A/R	Plug, Seal	
440 to 442	Not Used			
443	4460866	1	Connector, Female - 19 Pin	
	4460464	A/R	Pin, Male (16 Gauge)	
	4460508	3	Pin, Male (12 Gauge)	
444	4460878	1	Housing, Terminal - 4 Position	
	4460887	3	Terminal (12 Gauge)	
445 to 449	Not Used			
450	4460761	1	Connector, Female 4 - Position	
	4460227	4	Pin, Male	

## SECTION 7 ELECTRICAL

**FIGURE 7-6. HARNESS COMPONENTS INSTALLATION (WITHOUT UGM) (CONTINUED)**

ITEM #	PART NUMBER	QTY.	DESCRIPTION	REV.
		Ref.	<b>ENGINE HARNESS ASSEMBLIES</b>	
	4923227	Ref.	<b>Caterpillar Engine Machines (S/N 0300087000 to S/N 0300099061)</b>	3/C
	4923576	Ref.	<b>Caterpillar Engine Machines (S/N 0300099061 to Present)</b>	D
	4923212	Ref.	<b>Deutz Engine Machines (S/N 0300087000 to Present)</b>	F
	4923226	Ref.	<b>Ford Engine Machines</b>	2/B
	4923492	Ref.	<b>GM Engine Machines</b>	D
501 to 518	Not Used			
519	4460424	1	Receptacle, Female - 2 Position	
520	4460268	2	Socket, Female	
521	4460880	2	DIN Connector without Diode	
522	4460891	2	Connector, Male - 2 Position (Caterpillar Engine Only)	
	4460465	7	Socket, Female	
523	4461070	1	Receptacle, Female With Resistor (3 Position) (Deutz Engine Only)	
	4461095	1	Plug, Male - 3 Position (Deutz Engine Only)	
	4460944	3	Socket, Female (Deutz Engine Only)	
524	Not Used			
525	4460539	1	Connector, Male - 3 Position (Deutz Engine Only)	
	4460944	3	Socket, Female (Deutz Engine Only)	
526 to 529	Not Used			
530	4460582	3	Terminal (Ford Engine Only)	
	4460580	1	Lock, Terminal (Ford Engine Only)	
	4460579	1	Housing - 3 Position (Ford Engine Only)	
531	Not Used			
532	4461157	1	Receptacle, Female - 2 Position (Deutz/GM Engine Only)	
	4460979	2	Pin, Male (Deutz/GM Engine Only)	
	4460458	2	Seal, Terminal (Deutz/GM Engine Only)	
533	4461052	1	Connector, Receptacle - 25 Position (Deutz Engine Only)	
	4461005	5	Terminal (Gold) (Deutz Engine Only)	
	4461006	5	Seal, Terminal (Deutz Engine Only)	
	4461060	2	Terminal (Tin) (Deutz Engine Only)	
	4461054	2	Seal, Terminal (Deutz Engine Only)	
	4461053	1	Cover, Plug (Deutz Engine Only)	
534	4460996	1	Connector, Female - 3 Position (Caterpillar Engines Only)	
	4460995	2	Terminal, Spade (Caterpillar Engines Only)	
535 to 536	Not Used			
537	4460891	2	Plug, Male - 2 Position (Caterpillar Engines Only)	
	4460465	4	Socket, Female (Caterpillar Engines Only)	
538	4460460	1	Connector, Male - 4 Position	
	4460457	A/R	Terminal, Female	
	4460458	A/R	Seal, Terminal	
539	Not Used			
540	4460539	1	Plug, Male - 3 Position (Caterpillar Engines Only)	
	4460465	3	Socket, Female (Caterpillar Engines Only)	
541	4460713	1	Connector, Housing 42 Position (Ford Engine Only)	
542	4460725	1	Connector Wedge Lock, Center (Ford Engine Only)	
543	4460726	2	Connector Wedge Lock, Side (Ford Engine Only)	
544	4460800	29	Connector, Plug (Ford Engine Only)	

## SECTION 7 ELECTRICAL

**FIGURE 7-6. HARNESS COMPONENTS INSTALLATION (WITHOUT UGM) (CONTINUED)**

ITEM #	PART NUMBER	QTY.	DESCRIPTION	REV.
545	4460799	7	Pin, Male (Ford Engine Only)	
546	Not Used			
547	4461121	1	Plug, Male - 4 Position (GM Engine Only)	
	4461122	4	Socket, Female (GM Engine Only)	
	4461123	4	Seal, Terminal (GM Engine Only)	
548	4460728	3	Pin, Male (Ford Engine Only)	
549	4460792	1	Plug, Male - 1 Position (Caterpillar Engines Only)	
	4460339	3	Terminal (Caterpillar Engines Only)	
550	4460465	2	Socket, Female (Deutz Engines Only)	
551 to 552	Not Used			
553	4461124	1	Receptacle, Female - 4 Position (GM Engine Only)	
	4460693	4	Pin, Male (GM Engine Only)	
	4460608	4	Seal, Terminal (GM Engine Only)	
	4461161	1	Lock, Terminal (GM Engine Only)	
554	4460742	1	Plug, Male - 2 Position (Ford Engine Only)	
	4460457	2	Terminal, Female (Ford Engine Only)	
	4460458	2	Seal, Terminal (Ford Engine Only)	
555	4461109	1	Plug, Male - 16 Position (GM Engine Only)	
	4461111	7	Pin, Male (GM Engine Only)	
	4461113	16	Seal, Terminal (GM Engine Only)	
556	Not Used			
557	4460871	A/R	Socket, Female	
558	4460226	2	Socket, Female (S/N 0300088141 to Present)	
559 to 566	Not Used			
567	2400065	1	Fuse, 30Amp (Ford Engine Only)	
568	3730120	1	Resistor Assembly (Ford Engine Only)	
	4460978	1	Receptacle, Male - 2 Position	
	4460979	2	Pin, Male	
	4460458	2	Seal, Terminal	
	3730121	1	Resistor	
	4923224	Ref.	<b>VALVE HARNESS ASSEMBLY</b>	4/D
601 to 616	Not Used			
617	4460880	19	DIN Connector	
618	4460320	2	Plug, Male - 2 Position	
619	4460267	7	Pin, Male	
620	4460424	1	Receptacle, Female - 2 Position	
621	4460268	5	Socket, Female	
622	4460871	31	Socket, Female	
623 to 624	Not Used			
625	4460326	1	Plug, Male - 3 Position	
626	4460445	1	Receptacle, Female - 3 Position	



## SECTION 7 ELECTRICAL

**FIGURE 7-6. HARNESS COMPONENTS INSTALLATION (WITHOUT UGM) (CONTINUED)**

ITEM #	PART NUMBER	QTY.	DESCRIPTION	REV.
		Ref.	<b>STANDARD HARNESS COMPONENTS</b>	
701	2902296	1	Battery Cable Kit Options: Caterpillar & Deutz Engines Machines	C
	2902297		Ford Engine Machines	
	2902531		GM Engine Machines	A
701A		1	Cable, Battery (Red) Options: Caterpillar & Deutz Engines Machines Options:	
	1001116241	1	Machines with 2 Relays on Engine Tray (was p/n 7027000)	
	1001116240	1	Machines with 3 Relays on Engine Tray (was p/n 7027000)	
	7027006		Ford Engine Machines	
	7027015		GM Engine Machines	
701B		1	Cable, Battery (Black) Options:	
	7027004		Caterpillar & Deutz Engines Machines	
	7027005		Ford Engine Machines	
	7016822		GM Engine Machines	
701C		1	Cable (Red) Options:	
	7027002		Caterpillar, Deutz & Ford Engines Machines	
701D		1	Cable (Red) Options:	
	7027001		Caterpillar & Deutz Engine Machines (S/N 0300087000 to S/N 0300138090)	
	See Note		Caterpillar & Deutz Engine Machines (S/N 0300138090 to Present) <b>Note: Incorporated in Item 701A after S/N 0300138090</b>	
	Not Required		Ford Engines Machines	
	7027017		GM Engines Machines	
701E	7027003	1	Cable (Black)	
701F		1	Cable, Battery (Red) Options:	
			Caterpillar & Deutz Engines Machines	
	1001116241	1	Machines with 2 Relays on Engine Tray (was p/n 7027000)	
	1001116240	1	Machines with 3 Relays on Engine Tray (was p/n 7027000)	
	7027007		Ford Engine Machines	
	7016822		GM Engine Machines	
702	1060904	1	Cable, Battery (Caterpillar Engine Machines Only)	
703	4922737	1	Harness, Relay Ground (Caterpillar Engine Machines Only)	
704		A/R	Deutz Engine Harness Components (Deutz Engine Machines Only)	
704A	7027796	1	Deutz Engine Harness	
704B	4461052	1	Receptacle, Female - 25 Position	
	4461053	1	Cover, Receptacle	
	4461005	5	Terminal	
	4461006	5	Seal (Used with p/n 4461005)	
	4461060	2	Terminal	
	4461054	2	Seal (Used with p/n 4461060)	
	4461008	18	Plug, Hole	
704C	7027793	1	Plug-In, Connector	

## SECTION 7 ELECTRICAL

**FIGURE 7-6. HARNESS COMPONENTS INSTALLATION (WITHOUT UGM) (CONTINUED)**

ITEM #	PART NUMBER	QTY.	DESCRIPTION	REV.
704D	See Note	1	Deutz Engine Harness Options <b>(Note: For other replacement parts refer to Deutz engine dealer):</b> S/N 0300087000 to S/N 0300126420 S/N 0300126420 to Present	
	7027794			
	70001872			
705	7023681	1	Ford Engine Harness (For other replacement parts refer to Ford engine dealer) (was p/n 7027403)	
706	See Note	1	Dual Fuel Shut-Off Filter Harness <b>(Note: Not Available for Purchase)</b>	
706A	7023679	1	Electrical Connector Kit (Includes [1] 2 Position Connector, 2 Pins & 2 Seals)	
707	4922968	1	Dual Fuel Shut-Off Filter Extension Harness (Not Shown)	
707A	4460742	1	Connector, Male - 2 Position	
	4460458	2	Seal, Terminal	
	4460743	2	Socket, Female	
707B	4460978	1	Receptacle, Male - 2 Position	
	4460979	2	Pin, Male	
	4460458	2	Seal, Terminal	
708	See Note	1	Fuel Pump Harness (Caterpillar Engines Only) <b>(Note: Not Available for Purchase)</b>	
	4460897	1	Receptacle, Female -2 Position (Caterpillar Engines Only)	
	4460464	2	Pin, Male (Caterpillar Engines Only)	
709	See Note	1	Throttle Actuator Harness (Caterpillar Engines Only) <b>(Note: Not Available for Purchase)</b>	
	4460897	1	Receptacle, Female -2 Position (Caterpillar Engines Only)	
	4460464	2	Pin, Male (Caterpillar Engines Only)	
710	See Note	1	Pump Harness <b>(Note: Not Available for Purchase)</b>	
710A	7007497	1	Plug (Pump End)	
710B	7007498	1	Plug (Engine Harness End)	
711	See Note	1	Controller Harness Assembly (Lift and Swing) <b>(Note: Not Available for Purchase)</b>	
711A	7022819	1	Plug, Male - 8 Position (Natural)	
	4460871	8	Socket, Female	
712	See Note	1	Controller Harness/Circuit Board Assembly (Drive and Steer) <b>(Note: Not Available for Purchase)</b>	
712A	7022825	1	Plug, Male - 8 Position (Black)	
	4460871	7	Socket, Female	
713	See Note	1	Controller Harness (Speed Control) <b>(Note: Not Available for Purchase)</b>	
713A	4460224	1	Receptacle, Female - 6 Position	
	4460226	6	Socket, Female	
714	See Note	A/R	GM Engine Harness (GM Engine Machines Only) <b>(Note: Not Available for Purchase)</b>	
715	4923379	1	Harness, Glow Plugs (Deutz Engine Machines Only S/N 0300092727 to Present)	
716	1060904	1	Cable, Jumper (Caterpillar & Deutz Engine Machines with S/N 0300087000 to S/N 0300138090 Only)	

## SECTION 7 ELECTRICAL

**FIGURE 7-6. HARNESS COMPONENTS INSTALLATION (WITHOUT UGM) (CONTINUED)**

ITEM #	PART NUMBER	QTY.	DESCRIPTION	REV.
		Ref.	<b>OPTIONAL HARNESS COMPONENTS</b>	
801	4921927	1	Jib Valve Harness (600AJ Only)	3/F
801A	4460326	1	Plug, Male - 3 Position	
801B	4460267	3	Pin, Male	
801C	4460499	2	Connector, DIN with Diode	
802	4921928	1	4WS Valve Harness	3/E
802A	4460268	3	Socket, Female	
802B	4460445	1	Connector, Female - 3 Position	
802C	4460499	2	Connector, DIN with Diode	
803	0257887	1	Alarm Harness (Includes Alarm)	
	0140032	1	Alarm	
	2820035	6in/15cm	Loom	
803A	4460424	1	Plug, Male - 2 Position	
803B	4460268	2	Socket, Female	
804	0272507	1	Strobe Light Harness Options (Includes Strobe Light):	
804A	4460320	1	Connector, Female - 2 Position	
804B	4460267	2	Pin, Male	
805	See Note	1	Headlight & Taillight/Chassis Illumination Harness ( <b>Note: Not Available for Purchase</b> )	
	1060341	A/R	Cable, Electrical 16/2 Options:	
		37ft/11.3m	Headlights & Taillights	
		40ft/12.2m	Chassis Illumination Lights	
805A	3740049	1	Relay	
	4460259	3	Terminal	
	4460260	4	Housing, Terminal	
	4460297	1	Terminal	
	4922643	1	Lights Harness for Ground Control Box	1/A
	4460226	2	Socket, Female	
806		A/R	2500W Generator Electrical Components Options:	
	4933300	Ref.	Caterpillar & Deutz & Ford Engines 110V 50Hz/60Hz (All Specs S/N 0300087000 to S/N 0300132840)	2/A
	4933300	Ref.	Caterpillar & Deutz & Ford Engines 110V/220V with Generator Control Box (S/N 0300132840 to Present)	2/A
	100110027	Ref.	Caterpillar & Deutz Engines 110V/220V without Generator Control Box (S/N 0300132840 to Present)	4/D
	4933350	Ref.	GM Engine	A
806A	4460321	1	Connector, Male - 4 Position (Caterpillar, Deutz & Ford Engines Specs S/N 0300087000 to S/N 0300126420)	
	4460906	4	Socket, Female	
806B	4922641	1	Harness - On/Off Switch	
806C	4460226	2	Socket, Female	
806D		1	Powermite Control Box to Relay Options:	
	4922970		Caterpillar, Deutz & Ford Engines	
	4923445		GM Engines	
806E	4460961	1	Connector, Female - 4 Position (Caterpillar, Deutz & Ford Engines Specs S/N 0300087000 to S/N 0300126420)	
	4460705	4	Pin, Male	
806F	1001100305	1	Harness, Ground For Generator (Caterpillar & Deutz Engines without Generator Control Box (S/N 0300132840 to S/N 0300137770 Only)	

## SECTION 7 ELECTRICAL

**FIGURE 7-6. HARNESS COMPONENTS INSTALLATION (WITHOUT UGM) (CONTINUED)**

ITEM #	PART NUMBER	QTY.	DESCRIPTION	REV.
807		1	Generator to Rear of Boom Harness Options: <b>Note: Harness used to connect AC at platform harness to generator receptacle to power platform receptacle.</b>	
	4921829		110V (ANSI, ANSI Export & Japanese Specs)	2
	4921954		220V (ANSI & ANSI Export Specs)	2
	4921957		110V/220V (Australian, CE, Latin American & Brazilian Specs - S/N 0300087000 to S/N 0300132840)	—
	See Note		110V/220V (Australian, CE, Latin American & Brazilian Specs - S/N 0300132840 to Present) ( <b>Note: Not Available for Purchase</b> )	
		A/R	Cable, Electrical - 12/3 Options:	
	1060494	6ft/1.8m	110V (ANSI, ANSI Export & Japanese Specs)	
1060494	26ft/8m	220V (ANSI & ANSI Export Specs)		
1060461	6ft/1.8m	110V/220V (Australian, CE, Latin American & Brazilian Specs)		
807A		1	Plug, Male Options:	
	4460205		110V (ANSI, ANSI Export & Japanese Specs)	
	4460233		220V (ANSI & ANSI Export Specs)	
	Not Required		110V/220V (Australian, CE, Latin American & Brazilian Specs) (Purchase Locally)	
	4460027	1	Receptacle, Twist Lock (110V Only)	
807B		1	Receptacle, Female Options:	
	4460134		110V (ANSI, ANSI Export & Japanese Specs)	
	4460701		220V (ANSI & ANSI Export Specs)	
	Not Required		110V/220V (Australian, CE, Latin American & Brazilian Specs) (Purchase Locally)	
808			AC to Platform Receptacle Components Options:	
	0255382	Ref.	110V GFI Receptacle (ANSI, ANSI Export & Japanese Specs)	6
	0257176	Ref.	220V Receptacle (ANSI, ANSI Export & Japanese Specs)	B
	0272433	Ref.	SkyPower Machines (All Specs)	B
	0274618	Ref.	Dual AC (ANSI Export Spec Option)	2/B
	0256202	Ref.	110V/220V (Australian, Latin American & Brazilian Specs)	5
		Ref.	110V/220V (CE Spec Only):	
		Ref.	<b>Without Powermite Generator:</b>	
	0256202		110V/220V (No Plug)	5
	0275653		220V with CEE 7 Post Ground Receptacle & Plug & Circuit Breaker (2x4 Box)	C
	0275654		220V with CEE 7 Side Ground Receptacle & Plug & Circuit Breaker (2x4 Box)	C
	0275660		220V with AFSINT 107 Keyed Ground Receptacle & Plug & Circuit Breaker (2x4 Box)	C
	0275656		110V with IEC Yellow Receptacle & Plug & Circuit Breaker	C
	0275652		220V with IEC Blue Receptacle & Plug & Circuit Breaker	C
	0275655		220V with CEE 7 Post Ground Receptacle & Plug & Circuit Breaker (70mm x 70mm Box)	C
	0275651		220V with CEE 7 Side Ground Receptacle & Plug & Circuit Breaker (70mm x 70mm Box)	C
		Ref.	<b>With Powermite Generator:</b>	
1001100397		220V with CEE 7 Post Ground Receptacle & Plug & Circuit Breaker (2x4 Box)	D	
1001100398		220V with CEE 7 Side Ground Receptacle & Plug & Circuit Breaker (2x4 Box)	D	

## SECTION 7 ELECTRICAL

**FIGURE 7-6. HARNESS COMPONENTS INSTALLATION (WITHOUT UGM) (CONTINUED)**

ITEM #	PART NUMBER	QTY.	DESCRIPTION	REV.
808 cont'd	1001100399		220V with AFSINT 107 Keyed Ground Receptacle & Plug & Circuit Breaker (2x4 Box)	C
	1001100400		110V with IEC Yellow Receptacle & Plug & Circuit Breaker	C
	1001100401		220V with IEC Blue Receptacle & Plug & Circuit Breaker	C
	1001100402		220V with CEE 7 Post Ground Receptacle & Plug & Circuit Breaker (70mm x 70mm Box)	C
	1001100403		220V with CEE 7 Side Ground Receptacle & Plug & Circuit Breaker (70mm x 70mm Box)	C
808A		1	Box, Switch Options:	
	0860038		0255382, 0257176 & 0274618 Installations	
	Not Required		0256202 Installations (Purchase Locally)	
	0861731		0275253, 0275254, 0275660, 1001100397, 1001100398 & 1001100399 Installations	
	0861781		0275656, 0275652, 1001100400 & 1001100401 Installations	
	See Note		0275655, 0275651, 1001100402 & 1001100403 Installations ( <b>Note: Was p/n 0861782 which is no longer available. Use p/n 1001100344 CEE 7 Side Ground Service Kit or p/n 1001100343 CEE 7 Post Ground Service Kit. Kit include Box p/n 1001141967 &amp; items 808B, 808C, 808E &amp; 808P.</b> )	
	1001141967		1001100343, 1001100344, 1001141970 & 1001141971 Kits	
808B		1	Receptacle Options:	
	4460346		0255382 & 0274618 Installations	
	4460125		0257176 Installation	
	Not Required		0256202 Installations (Purchase Locally)	
	4461244		0275253 & 1001100397 Installations	
	4461245		0275654 & 1001100398 Installations	
	4461246		0275660 & 1001100399 Installations	
	4461198		0275656 & 1001100400 Installations	
	4461201		0275652 & 1001100401 Installations	
	Use 1001100343		0275655 & 1001100402 Installations (was p/n 4461204)	
	Use 1001100344		0275651 & 1001100403 Installations (was p/n 4461207)	
	1001141968		1001100343 & 1001141971 Kits	
	1001141969		1001100344 & 1001141970 Kits	
808C		1	Shield, Cover Options:	
	4060700		0255382 & 0274618 Installations (Side Hinged - S/N 0300087000 to S/N 0300138090)	
	1001110873		0255382 & 0274618 Installations (Top Hinged - S/N 0300138090 to Present)	
	4060092		0257176 Installation	
	Not Required		0256202 Installations (Purchase Locally)	
	4461244		0275253 & 1001100397 Installations	
	4461245		0275654 & 1001100398 Installations	
	4461246		0275660 & 1001100399 Installations	
	4461198		0275656 & 1001100400 Installations	
	4461201		0275652 & 1001100401 Installations	
	Use 1001100343		0275655 & 1001100402 Installations (was p/n 4461204)	
	Use 1001100344		0275651 & 1001100403 Installations (was p/n 4461207)	
	1001141968		1001100343 & 1001141971 Kits	
	1001141969		1001100344 & 1001141970 Kits	

## SECTION 7 ELECTRICAL

**FIGURE 7-6. HARNESS COMPONENTS INSTALLATION (WITHOUT UGM) (CONTINUED)**

ITEM #	PART NUMBER	QTY.	DESCRIPTION	REV.
808D		1	Connector, Strain Relief Options:	
	4460071	1	0255382, 0257176 & 0274618 Installations	
	Not Required		0256202 Installations (Purchase Locally)	
	4460968	1	0275653, 0275654, 0275660, 0275656, 0275652, 0275655, 0275651, 1001100397, 1001100398, 1001100399, 1001100400, 1001100401, 1001100402 & 1001100403 Installations	
808E		1	Plug, Male Options:	
	4460205		0255382 & 0274618 Installations	
	4460233		0257176 Installation	
	Not Required		0256202 Installation (Purchase Locally)	
	4461202		0275653 & 0275655, 1001100397 & 1001100402 Installations & 1001100343 & 1001141971 Kits	
	4461199		0275652 & 1001100401 Installations	
	4461249		0275660 & 1001100399 Installations	
	4461196		0275656 & 1001100400 Installations	
4461205		0275654, & 0275651, 1001100398 & 1001100403 Installations & 1001100344 & 1001141970 Kits		
808F		1	Plug, Male Options:	
	4460205		0255382 & 0274618 Installations (Qty 4 Req'd for Dual AC)	
	4460233		0257176 Installation	
	4460709		0256202, 0275653, 0275654, 0275660, 0275656, 0275652, 0275655, 0275651, 1001100397, 1001100398, 1001100399, 1001100400, 1001100401, 1001100402 & 1001100403 Installations	
	4460960		0272433 Installation	
	4061043		Cover - Side Hinged (0274618 Installations S/N 0300087000 to S/N 0300137770)	
	1001110872		Cover - Top Hinged (0274618 Installations S/N 0300137770 to Present)	
	1671093		Cover (Optional)	
808G		1	Connector, Female Options:	
	4460134		0255382 & 0274618 Installations (Qty 2 Required for Dual AC)	
	4460701		0257176 Installation	
	4460710		0256202, 0275653, 0275654, 0275660, 0275656, 0275652, 0275655, 0275651, 1001100397, 1001100398, 1001100399, 1001100400, 1001100401, 1001100402 & 1001100403 Installations	
	4460959		0272433 Installation	
	1671092		Cover (Optional)	
808H		A/R	Hardware Options:	
	0641405		Bolt 1/4in - 20NC x 5/8in	
	0641407		Bolt 1/4in - 20NC x 7/8in	
	0641416		Bolt 1/4in - 20NC x 2in	
	0700408		Screw M4 x 16mm	
	3290405		Locknut M4	
	3311405		Locknut 1/4in - 20NC	
	4711400		Flatwasher 1/4in Thin	
	4811400		Flatwasher M4	

# SECTION 7 ELECTRICAL

**FIGURE 7-6. HARNESS COMPONENTS INSTALLATION (WITHOUT UGM) (CONTINUED)**

ITEM #	PART NUMBER	QTY.	DESCRIPTION	REV.
808J	Not Required	A/R	Bracket, Receptacle Box Mounting Options: 0255382, 0274618, 0257176 & 0256202 Installations	
	0903484	0 1		
808K	Not Required	A/R	Bracket, Circuit Breaker Mounting Options: 0255382, 0274618, 0257176 & 0256202 Installations	
	0903612	0 1		
808L	Use 1001096070	A/R	Breaker, Circuit Kit Options (Required on All CE Spec Installations Except 0256202 Installation): Kit (Without Powermite Generator Control Box) (Was p/n 2902549)	D
	Use 1001109554		Kit (With Powermite Generator Control Box)	B
		1	Circuit Breaker Options:	
		Ref.	<b>Note: Kit p/n 2902549 Kit used a single large breaker p/n 2400093. Replace with 2 breakers. For machines with Powermite Generator Control Box use both p/ns 1001109477 &amp; 1001109482. For machines without Powermite Generator Control Box use both p/ns 1001109475 &amp; 1001109482.</b>	
	1001109477		Breaker 10A	
	1001109475		Breaker 16A	
	1001109482		Breaker 30mA	
	0861880	1	Breaker Box	
	4460957	1	Terminal Block	
	4460956	1	Barrier, Terminal Block End	
808M		2	Connector, Strain Relief Options (Required Only on CE Spec Installations Except 0256202 Installation):	
	4460633		S/N 0300087000 to S/N 0300117570	
	1001097150		S/N 0300117570 to S/N 0300127223	
808N	1060908	12ft/3.7m	Cable, Extension (Required Only on CE Spec Installations Except 0256202 Installation):	
			S/N 0300127223 to Present	
808P	Not Required	1	Connector, Female Options: 0255382, 0274618, 0257176, 0275653, 0275654, 0275660, 0275656, 0275652, 0275655 & 0275651 Installations	
	Not Required		0256202 Installation (Purchase Locally)	
	4461203		1001100402 & 1001100397 Installations & 1001100343 & 1001141971 Kits	
	4461200		1001100401 Installation	
	4461250		1001100399 Installation	
	4461197		1001100400 Installation	
	4461206		1001100403 & 1001100398 Installations & 1001100344 & 1001141970 Kits	
			-----	

## SECTION 7 ELECTRICAL

**FIGURE 7-6. HARNESS COMPONENTS INSTALLATION (WITHOUT UGM) (CONTINUED)**

ITEM #	PART NUMBER	QTY.	DESCRIPTION	REV.
			Kit, Plug & Socket Options: Without Generator:	
	0275452		Receptacle Box Kit (220V CEE 7 Post Ground) (Includes Items 808A, 808B, 808C & 808E) (0275653 Installation)	1
	0275453		Receptacle Box Kit (220V CEE 7 Side Ground) (Includes Items 808A, 808B, 808C & 808E) (0275654 Installation)	1
	0275454		Receptacle Box Kit (220V AFSINT 107 Keyed Ground) (Includes Items 808A, 808B, 808C & 808E) (0275660 Installation)	1
	0275216		Receptacle Box Kit (110V IEC Yellow) (Includes Items 808A, 808B, 808C & 808E) (0275656 Installation)	1
	0275217		Receptacle Box Kit (220V IEC Blue) (Includes Items 808A, 808B, 808C & 808E) (0275652 Installation)	1
	Use 1001100343		Receptacle Box Kit (220V CEE 7 Post Ground) (Includes Items 808A, 808B, 808C, 808E & 808P) (0275655 Installation) (was p/n 0275218)	B/B
	Use 1001100344		Receptacle Box Kit (220V CEE 7 Side Ground) (Includes Items 808A, 808B, 808C, 808E & 808P) (0275651 Installation) (was p/n 0275219)	B/B
			With Generator:	
	1001100345		Receptacle Box Kit (220V CEE 7 Post Ground) (Includes Items 808A, 808B, 808C, 808E & 808P) (1001100397 Installation)	2
	1001100347		Receptacle Box Kit (220V CEE 7 Side Ground) (Includes Items 808A, 808B, 808C, 808E & 808P) (1001100398 Installation)	3
	1001100346		Receptacle Box Kit (220V AFSINT 107 Keyed Ground) (Includes Items 808A, 808B, 808C, 808E & 808P) (1001100399 Installation)	2
	1001100341		Receptacle Box Kit (110V IEC Yellow) (Includes Items 808A, 808B, 808C, 808E & 808P) (1001100400 Installation)	2
	1001100342		Receptacle Box Kit (220V IEC Blue) (Includes Items 808A, 808B, 808C, 808E & 808P) (1001100401 Installation)	2
	1001100343		Receptacle Box Kit (220V CEE 7 Post Ground) (Includes Items 808A, 808B, 808C, 808E & 808P) (1001100402 Installation)	B
	1001100344		Receptacle Box Kit (220V CEE 7 Side Ground) (Includes Items 808A, 808B, 808C, 808E & 808P) (1001100403 Installation)	B
809		Ref.	7500W SkyPower Generator Installation	
	0273576	Ref.	60Hz & Caterpillar Engine	I
	0272618	Ref.	60Hz & Deutz Engine	K
	0273577	Ref.	50Hz Spec & Caterpillar Engine	G
	0272619	Ref.	50Hz Spec & Deutz Engine	G
	0273109	Ref.	60Hz Spec & Ford Engine	F
	0275257	Ref.	60Hz Spec & GM Engine	E
		Ref.	<b>Note: SkyPower generator is standard on ANSI &amp; CSA Specs. Optional on All Other Specs.</b>	
809A		1	Receptacle, Female Twist-Lock Options:	
	4460958		60Hz Spec	
	See Note		50Hz Spec ( <b>Note: Not Available - Purchase Locally</b> )	



## SECTION 7 ELECTRICAL

**FIGURE 7-6. HARNESS COMPONENTS INSTALLATION (WITHOUT UGM) (CONTINUED)**

ITEM #	PART NUMBER	QTY.	DESCRIPTION	REV.
809B	3960422 See Note	2	Gasket Options: 60Hz Spec 50Hz Spec ( <b>Note: Not Available - Purchase Locally</b> )	
809C	4060700 1001110873 See Note	1	Cover, Receptacle Options: 60Hz Spec (S/N 87000 to S/N 0300138090) 60Hz Spec (S/N 0300138090 to Present) 50Hz Spec ( <b>Note: Not Available - Purchase Locally</b> )	
809D	4061043 1001110872 See Note	1	Cover, Receptacle Options: 60Hz Spec (S/N 87000 to S/N 0300138090) 60Hz Spec (S/N 0300138090 to Present) 50Hz Spec ( <b>Note: Not Available - Purchase Locally</b> )	
809E	4460346 See Note	1	Receptacle Options: 60Hz Spec 50Hz Spec ( <b>Note: Not Available - Purchase Locally</b> )	
809F	4460051	1	Connector, Strain Relief	
809G	4460071	1	Connector, Strain Relief	
809H	4922925 4922905 4922925	1	Harness, Generator Options: Caterpillar & Deutz Engine Ford Engine GM Engine	
809I	See Note	1	Plug, Male - 6 Position ( <b>Note: Not Available for Purchase</b> )	
	See Note	6	Socket, Female ( <b>Note: Not Available for Purchase</b> )	
809J	4460225 4460226	1 6	Plug, Male - 6 Position Socket, Female	
810		Ref.	7500W SkyPower Generator Junction Box Components	
	0861542	Ref.	60Hz Spec	C
	0861567	Ref.	50Hz Specs	B
810A		2ft/.6m	Cable, Electrical 12/3 60Hz Spec 50Hz Spec ( <b>Note: Not Available - Purchase Locally</b> )	
	1060494 See Note			
810B		2.5ft/.76m	Cable, Electrical 10/3 60Hz Spec 50Hz Spec ( <b>Note: Not Available - Purchase Locally</b> )	
	1060708 See Note			
810C	1060343	1.5ft/.46m	Cable, Electrical 10/4 (60Hz Spec Only)	
810D	4460425	2	Connector, Strain Relief	
810E		A/R	Component Options:	
	4460426	2	Connector, Strain Relief (60Hz Spec Only)	
	4460426	1	Connector, Strain Relief (50Hz Spec Only)	
	3520189	1	Plug (50Hz Spec Only)	
810F	1671092 4460963	1 1	Cover (60Hz Spec Only) Connector (60Hz Spec Only)	
811		Ref.	7500W Generator Electrical Diagram Components	
	4933264	Ref.	Caterpillar & Deutz Engine Machines	C
	4933283	Ref.	Ford Engine Machines	2/B
	4933349	Ref.	GM Engine Machines	A
811A		1	Generator Harness Options:	
	4922757		Caterpillar & Deutz Engine Machines	3/C
	4922905		Ford Engine Machines	1/A
	4923420		GM Engine Machines	A

## SECTION 7 ELECTRICAL

**FIGURE 7-6. HARNESS COMPONENTS INSTALLATION (WITHOUT UGM) (CONTINUED)**

ITEM #	PART NUMBER	QTY.	DESCRIPTION	REV.
811B	4460374	2	Plug, Sealed Relay	
	4460375	7	Terminal	
811C	4460967	1	Plug, Male - 3 Position	
	4460465	3	Socket, Female	
811D	2400060	A/R	Fuseholder Options:	
		1	Caterpillar, Deutz & GM Engine Machines	
		2	Ford Engine Machines	
	2400064	A/R	Fuse - 5 Amp Options:	
		1	Caterpillar, Deutz & GM Engine Machines	
		2	Ford Engine Machines	
811E	4922641	1	Switch Harness	
811F	4460226	2	Socket, Female	
811G	4460742	1	Plug, Male - 2 Position (GM Engine Only)	
	4460743	2	Socket, Female (GM Engine Only)	
812	4933308	1	Floodlights Harness Components	1/A
812A	4460320	2	Plug, Male - 2 Position	
	4460227	4	Pin, Male	
812B	4922764	1	Floodlight Harness (Lights to Switch)	1/A
812C	4460424	2	Connector, Female - 2 Position	
	4460226	4	Socket, Female	
812D	4360232	1	Circuit Breaker - 15 Amp	
812E	1060977	1	Cord, 2 Wire Coiled (Console Box Circuit Breaker to Switch)	
812F	4460425	1	Connector, Strain Relief	
812G	4460459	1	Plug, Male - 3 Position	
	4460790	3	Socket, Female	
	4460789	3	Seal	
812H	4460476	1	Receptacle, Female	
	4460850	3	Pin, Male	
	4460790	3	Socket, Female	
812J	1060494	33ft/10.1m	Electrical Cable 12/3 (Lower Boom to Aux Relay)	
812K	1060494	47ft/14.3m	Electrical Cable 12/3 (Upper Boom to Console Box)	
813		A/R	Platform Worklights Components	
813A	2920140	2	Platform Worklights External Harness (Includes Light & Wire Only)	
813B	4460459	1	Plug, Male - 3 Position	
	4460790	3	Socket, Female	
	4460789	3	Seal	
813C	4460476	1	Receptacle, Female	
	4460850	3	Pin, Male	
	4460790	3	Socket, Female	
813D	4460426	1	Connector, Strain Relief	
813E	2400070	1	Fuse	
	2400066	1	Holder, Fuse	
813F	4922894	1	Worklights Harness (Upper Boom to Worklights)	
	1060494	47ft/14.3mm	Cable, Electrical - 12/3	
813G	4922892	1	Worklights Harness (Lower Boom to Aux. Power Solenoid)	
	1060494	33ft/10.1mm	Cable, Electrical - 12/3	

## SECTION 7 ELECTRICAL

**FIGURE 7-6. HARNESS COMPONENTS INSTALLATION (WITHOUT UGM) (CONTINUED)**

ITEM #	PART NUMBER	QTY.	DESCRIPTION	REV.
		Ref.	<b>TOOLS</b>	
901	7002821	1	Crimper (For Wire to Pin/Socket Connections) (Not Shown)	
902	7002823	1	Extractor (For Removal of Pin/Socket from Connectors) (Not Shown)	
903	4460467	1	Extractor, Pin (Blue 16-18 Gauge) (For Removal of Pin/Socket from Connectors) (Not Shown)	
904	4460510	1	Extractor, Pin (Yellow 12-14 Gauge) (For Removal of Pin/Socket from Connectors) (Not Shown)	
905	7002828	1	Stripper, Wire (Not Shown)	
906	2901443	1	Analyzer Kit (Not Shown)	
906A	1600244	1	Analyzer	
906B	1060633	1	Cable, Analyzer	1/A
906C	4460321	2	Plug, Male	
	4460226	8	Socket, Female	
907	1001137005	1	Software Cable Kit (Not Shown)	

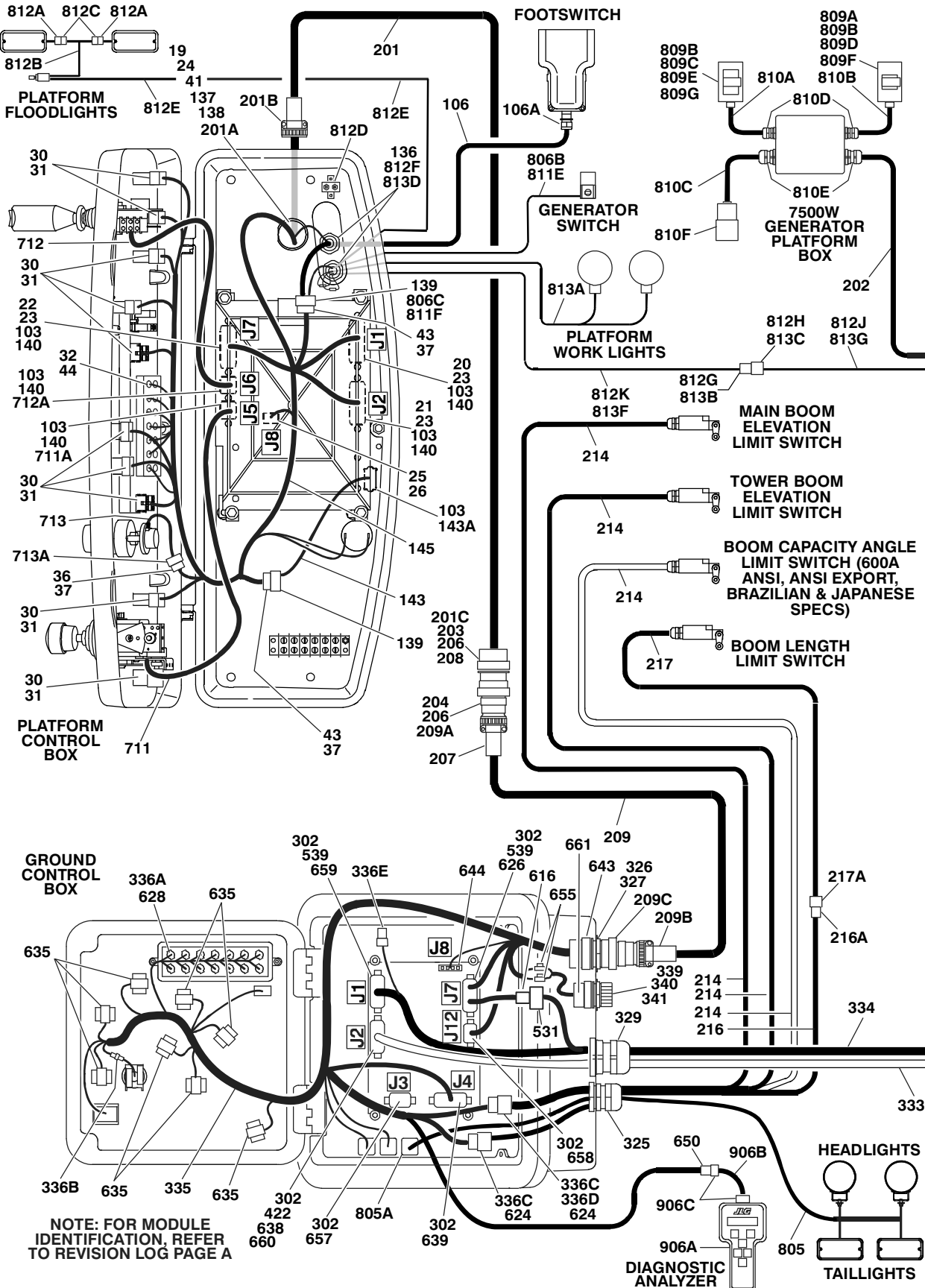
**SECTION 7 ELECTRICAL**

**FIGURE 7-6. HARNESS COMPONENTS INSTALLATION (WITHOUT UGM) (CONTINUED)**

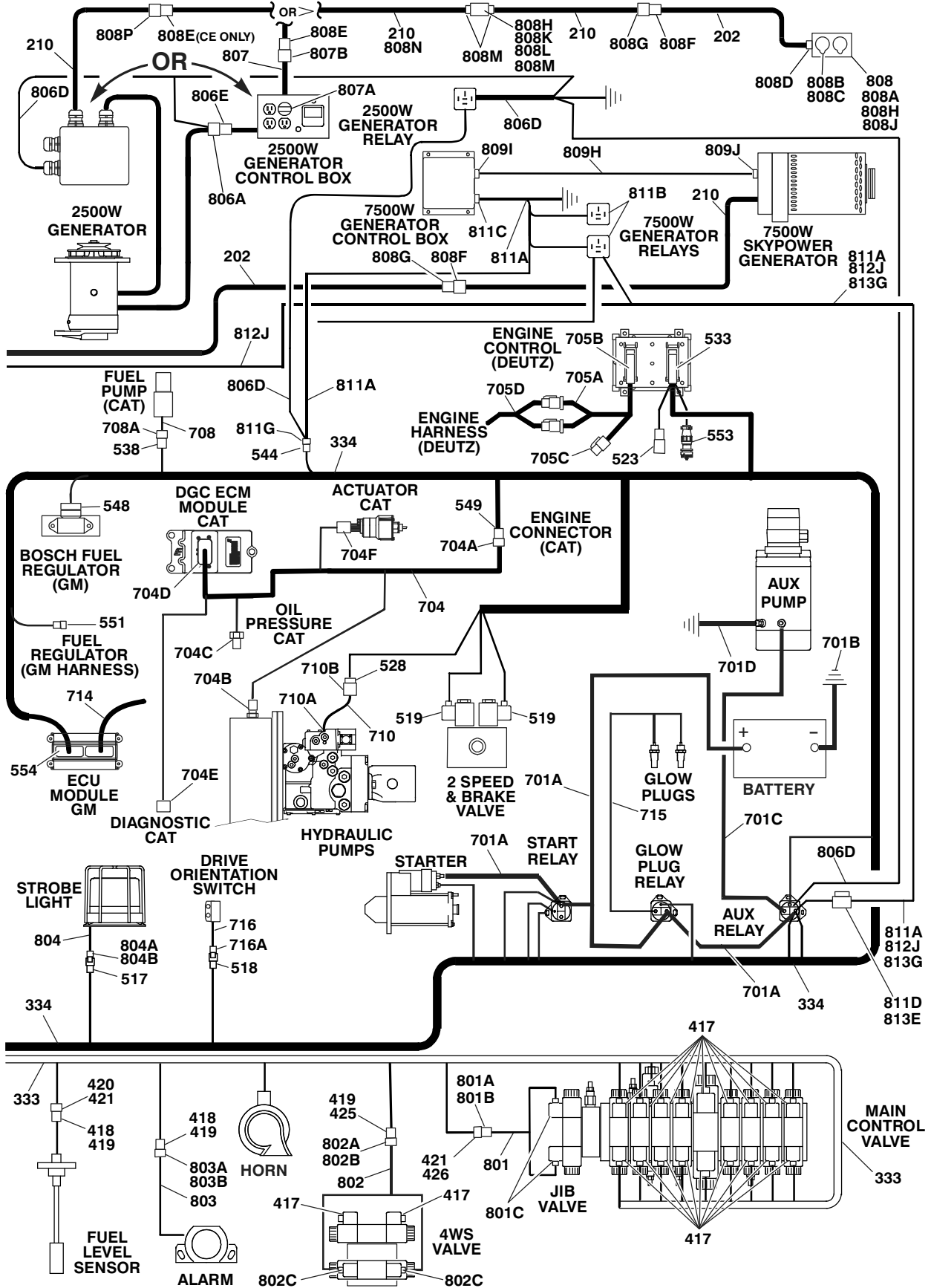
ITEM #	PART NUMBER	QTY.	DESCRIPTION	REV.

# SECTION 7 ELECTRICAL

FIGURE 7-7. HARNESS COMPONENTS INSTALLATION (WITH UGM)



# SECTION 7 ELECTRICAL



# SECTION 7 ELECTRICAL

**FIGURE 7-7. HARNESS COMPONENTS INSTALLATION (WITH UGM)**

ITEM #	PART NUMBER	QTY.	DESCRIPTION	REV.
		Ref.	<b>NOTE: FOR MODULE IDENTIFICATION, REFER TO REVISION LOG PAGE A.</b>	
	1001107753	Ref.	<b>PLATFORM BOX HARNESS ASSEMBLY</b>	D
1 to 18	Not Used			
19	4460866	1	Terminal, 19 Pin Connector	
20	4460874	1	Connector - 35 Position (Natural)	
21	4460875	1	Connector - 35 Position (Gray)	
22	4460873	1	Connector - 35 Position (Black)	
23	4460871	70	Socket, Female	
24	4460464	7	Pin, Male (16 Gauge)	
25	4460879	1	Terminal, Housing 2 Position	
26	4460887	2	Terminal, (12 Gauge)	
27 to 29	Not Used			
30	4460418	9	Connector - 6 Position	
31	4460419	27	Terminal, Female	
32	4120035	13	Base, Light	
33 to 35	Not Used			
36	4460225	1	Plug, Male- 6 Position	
37	4460227	30	Pin, Male	
38 to 40	Not Used			
41	4460508	3	Pin, Male (12 Gauge)	
42	Not Used			
43	4460434	2	Connector - 15 Position	
44	2920129	13	Lamp, Indicator	
		Ref.	<b>PLATFORM BOX ASSEMBLY COMPONENTS</b>	C
101 to 102	Not Used			
103	0100048	A/R	Grease, Dielectric	
104 to 105	Not Used			
106	See Note	1	Footswitch Harness	
	1060918	8ft/2.4m	Cable, Electrical - 18/3	
106A	4460071	1	Connector, Strain Relief	
107 to 135	Not Used			
136	4460428	2	Connector, Strain Relief	
137	4460470	1	Nut, Terminal	
138	4460471	1	Lockwasher, Terminal	
139	4460708	2	Connector, Female - 15 Position	
140	4460905	5	Seal, Plug	
141 to 142	Not Used			
143	4922666	1	Harness, Analyzer Cable	2/B
	4460226	4	Socket, Female (Not Shown - Located at J2)	
143A	4460761	1	Connector, Female - 4 Position	
	4460227	4	Pin, Male	
144	Not Used			
145	1001107753	1	Harness, Platform Console Box (Includes Items 1-44)	
146	Not Used			

## SECTION 7 ELECTRICAL

**FIGURE 7-7. HARNESS COMPONENTS INSTALLATION (WITH UGM) (CONTINUED)**

ITEM #	PART NUMBER	QTY.	DESCRIPTION	REV.
		Ref.	<b>BOOM CABLES INSTALLATION</b>	
		Ref.	<b>600A</b>	
	0270818	Ref.	<b>ANSI, ANSI Export, Brazilian, Japanese Specs without 7500W Generator</b>	6
	0272624	Ref.	<b>ANSI &amp; ANSI Export Specs with 7500W Generator</b>	2
	0275265	Ref.	<b>ANSI &amp; ANSI Export Specs with Arctic Package without 7500W Generator</b>	1
	1001093436	Ref.	<b>ANSI &amp; ANSI Export Specs with Arctic Package without 7500W Generator</b>	2/A
	0273427	Ref.	<b>Australian Spec without 7500W Generator</b>	1
	0273429	Ref.	<b>Australian Spec with 7500W Generator</b>	1
	0270819	Ref.	<b>CE &amp; Latin American Specs without 7500W Generator</b>	6
	0272626	Ref.	<b>CE, Japanese &amp; Latin American Specs with 7500W Generator</b>	2
		Ref.	<b>600AJ</b>	
	0270820	Ref.	<b>ANSI, ANSI Export, Brazilian, Japanese Specs without 7500W Generator</b>	6
	0272625	Ref.	<b>ANSI &amp; ANSI Export Specs with 7500W Generator</b>	2
	0275140	Ref.	<b>ANSI &amp; ANSI Export Specs with Arctic Package</b>	1
	1001093432	Ref.	<b>ANSI &amp; ANSI Export Specs with Arctic Package without 7500W Generator</b>	2/A
	1001115974	Ref.	<b>ANSI &amp; ANSI Export Specs (With David Clark Communication System) (Note: Not Shown - Contact your JLG Parts Representative.)</b>	1
	1001116515	Ref.	<b>ANSI &amp; ANSI Export Specs (With David Clark Communication System &amp; 7500W Generator) (Sky Power) (Note: Not Shown - Contact your JLG Parts Representative.)</b>	1
	0273428	Ref.	<b>Australian &amp; Latin American Specs without 7500W Generator</b>	1
	0273430	Ref.	<b>Australian &amp; Latin American Specs with 7500W Generator</b>	1
	0270821	Ref.	<b>CE Spec without 7500W Generator</b>	7
	0272627	Ref.	<b>CE Spec with 7500W Generator</b>	2
201		1	Harness, Main Boom Options:	
	4922493		Without Arctic Package	2/B
	4923472		With Arctic Package	1/A
		45.5ft/13.9m	Cable Options:	
	1060896		Without Arctic Package	
	4923462		With Arctic Package	
201A	4460865	1	Connector (19 Pin)	
	4460465	11	Socket, Female - #16	
	4460509	4	Socket, Female - #12	
	4460466	4	Seal, Plug	
201B	4460473	1	Clamp, Cable	
201C	4460464	11	Pin, Male (16-18 Gauge)	
	4460508	4	Pin, Male (10-12 Gauge)	
	2820118	A/R	Shrink, Heat	
202		1	Cable, Electrical (Main Boom) Options (Does not include plug ends):	
			Without SkyPower:	
	4922894		ANSI, ANSI Export, Brazilian, Japanese Specs (12/3)	



# SECTION 7 ELECTRICAL

**FIGURE 7-7. HARNESS COMPONENTS INSTALLATION (WITH UGM) (CONTINUED)**

ITEM #	PART NUMBER	QTY.	DESCRIPTION	REV.
202 cont'd	4923474		ANSI, ANSI Export Specs with Arctic Package (12/3)	
	4922895		Australian, CE & Latin American Specs (12/3)	
	4922810		With SkyPower: Machines without Arctic Package (8/5)	
203	2820031	A/R	Shrink, Heat	
204	4460865	1	Connector (19 Pin)	
205	Not Used			
206	4460466	8	Seal, Plug	
207	4460473	1	Clamp, Cable	
208	4460866	1	Connector (19 Pin)	
209		1	Harness, Tower Boom Cable Options:	
	4922494		Without Arctic Package	2/B
	4923473		With Arctic Package	1/A
		35.5ft/10.8m	Cable Options:	
	1060896		Without Arctic Package	
	4923462		With Arctic Package	
209A	4460465	11	Socket, Female - #16	
	4460509	4	Socket, Female - #12	
	2820118	A/R	Shrink, Heat	
209B	4460473	1	Clamp, Cable	
209C	4460865	1	Connector (19 Pin)	
	4460465	11	Socket, Female - #16	
	4460509	4	Socket, Female - #12	
	4460466	4	Seal, Plug	
210		1	Cable, Electrical (Tower Boom) Options (Does not include plug ends):	
			Without SkyPower:	
	4922892		ANSI, ANSI Export, Brazilian, Japanese Specs (12/3)	
	4923475		ANSI, ANSI Export Specs with Arctic Package (12/3)	
	4922893		Australian, CE & Latin American Specs (12/3)	
	4922811		With SkyPower: Machines without Arctic Package (8/5)	
211 to 213	Not Used			
214	1061033	A/R	Cable, Electrical - 18/2 Main Boom Limit Switch	
		3	600A ANSI, ANSI Export, Brazilian & Japanese Specs	
		2	600AJ ANSI, ANSI Export, Brazilian, Japanese Specs	
		2	600A & 600AJ Australian, CE & Latin American Specs	
	4923476	3	600A ANSI, ANSI Export Spec with Arctic Package	
	4923476	2	600AJ ANSI, ANSI Export Spec with Arctic Package	
215	Not Used			
216		A/R	Cable, Electrical - 18/2 Main Boom Length Options:	
	4922891	1	600A All Specs except Australian & Latin American Specs	1/A
	Not Required	0	600A Australian & Latin American Specs	
	4923500	1	600A ANSI, ANSI Export Spec with Arctic Package	1/A
	Not Required	0	600AJ All Specs except CE Spec	
	4922891	1	600AJ CE Spec	1/A
	Not Required	0	600AJ ANSI, ANSI Export Spec with Arctic Package	
216A	4460891	1	Plug, Male - 2 Position	
	4460465	2	Socket, Female	

## SECTION 7 ELECTRICAL

**FIGURE 7-7. HARNESS COMPONENTS INSTALLATION (WITH UGM) (CONTINUED)**

ITEM #	PART NUMBER	QTY.	DESCRIPTION	REV.
217	4922890	A/R	Cable, Electrical - 18/2 Main Boom Length Options:	
		1	600A All Specs except Australian & Latin American Specs	1/A
	Not Required	0	600A Australian & Latin American Specs	
	4923501	1	600A ANSI, ANSI Export Spec with Arctic Package	1/A
	Not Required	0	600AJ All Specs except CE Spec	
	4922896	1	600AJ CE Spec	1/A
217A	Not Required	0	600AJ ANSI, ANSI Export Spec with Arctic Package	
	4460897	1	Receptacle, Female - 2 Position	
	4460464	2	Pin, Male	
		Ref.	<b>GROUND CONTROL BOX COMPONENTS</b>	
		Ref.	<b>600A:</b>	
	1001110373	Ref.	<b>Caterpillar Engine (ANSI &amp; ANSI Export Specs)</b>	A
	1001110375	Ref.	<b>Caterpillar Engine (Australian &amp; CE Specs)</b>	A
	1001110368	Ref.	<b>Deutz Engine (ANSI &amp; ANSI Export Specs)</b>	A
	1001110371	Ref.	<b>Deutz Engine (Australian &amp; CE Specs)</b>	A
	1001110367	Ref.	<b>GM Engine (ANSI &amp; ANSI Export Specs)</b>	A
		Ref.	<b>600AJ:</b>	
	1001110374	Ref.	<b>Caterpillar Engine (ANSI &amp; ANSI Export Specs)</b>	A
	1001110376	Ref.	<b>Caterpillar Engine (Australian &amp; CE Specs)</b>	A
	1001110370	Ref.	<b>Deutz Engine (ANSI &amp; ANSI Export Specs)</b>	A
	1001110372	Ref.	<b>Deutz Engine (ANSI &amp; ANSI Export Specs)</b>	A
	1001110369	Ref.	<b>GM Engine (ANSI &amp; ANSI Export Specs)</b>	A
301	Not Used			
302	0100048	A/R	Grease, Dielectric	
303 to 324	Not Used			
325	4460426	1	Terminal, Strain Relief	
326	4460470	1	Nut, Terminal	
327	4460471	1	Lockwasher, Terminal	
328	Not Used			
329	4460526	1	Connector, Strain Relief	
330 to 332	Not Used			
333	4923224	1	Valve Harness Assembly (See 401 to 426 for Breakdown):	
334		1	Engine Harness Assembly (See 501 to 554 for Breakdown)	
	1001110362		Caterpillar Engine Machines	
	1001110361		Deutz Engine Machines	
	1001110359		GM Engine Machines	
335	1001110379	1	Ground Control Box Harness Assembly (See Items 601-661 for Breakdown)	
336		1	Ground Control Box Wiring Diagram (Not Shown)	
	1001110382		Caterpillar Engine	C
	1001110381		Deutz Engine	C
	1001110380		GM Engine	B
336A	2920129	A/R	Bulb, Light	
336B	2400065	1	Fuse, 30Amp	
	2400066	1	Fuse, Holder with Cover	
336C	4460708	2	Connector, Female - 15 Position	
	4460226	A/R	Socket, Female	
	4460905	A/R	Connector, Amp Seal Plug	

## SECTION 7 ELECTRICAL

**FIGURE 7-7. HARNESS COMPONENTS INSTALLATION (WITH UGM) (CONTINUED)**

ITEM #	PART NUMBER	QTY.	DESCRIPTION	REV.
336D	4922637	1	Harness, Jumper	
336E	4460894	1	Plug, Male - 6 Position	
	4460892	1	Connector, Female - 6 Position	
337 to 338	Not Used			
339	4460496	1	Lockwasher, Terminal	
340	4460497	1	Nut, Terminal	
341	1001106736	1	Cap, Dust	
	4923224	Ref.	<b>VALVE HARNESS ASSEMBLY</b>	4/E
401 to 416	Not Used			
417	4460880	19	DIN Connector	
418	4460320	2	Plug, Male - 2 Position	
419	4460267	7	Pin, Male	
420	4460424	1	Receptacle, Female - 2 Position	
421	4460268	5	Socket, Female	
422	4460871	31	Socket, Female	
423 to 424	Not Used			
425	4460326	1	Plug, Male - 3 Position	
426	4460445	1	Receptacle, Female - 3 Position	
		Ref.	<b>ENGINE HARNESS ASSEMBLIES</b>	
	1001110362	Ref.	<b>Caterpillar Engine Machines</b>	B
	1001110361	Ref.	<b>Deutz Engine Machines</b>	A
	1001110359	Ref.	<b>GM Engine Machines</b>	C
501 to 516	Not Used			
517	4460424	1	Receptacle, Female - 2 Position	
	4460268	2	Socket, Female	
518	4460424	1	Receptacle, Female - 2 Position	
	4460226	2	Socket, Female	
519	4460880	2	DIN Connector without Diode	
520 to 522	Not Used			
523	4461070	1	Receptacle, Female With Resistor (3 Position) (Deutz Engine Only)	
	4461095	1	Plug, Male - 3 Position (Deutz Engine Only)	
	4460944	3	Socket, Female (Deutz Engine Only)	
524 to 527	Not Used			
528	4460460	1	Connector, Male - 4 Position	
	4460457	A/R	Terminal, Female	
	4460458	A/R	Seal, Terminal	
529 to 530	Not Used			
531	4460539	1	Connector, Male - 3 Position	
	4460944	3	Socket, Female	
532	Not Used			
533	4461052	1	Connector, Receptacle - 25 Position (Deutz Engine Only)	
	4461005	5	Terminal (Gold) (Deutz Engine Only)	
	4461006	5	Seal, Terminal (Deutz Engine Only)	
	4461060	2	Terminal (Tin) (Deutz Engine Only)	
	4461054	2	Seal, Terminal (Deutz Engine Only)	

## SECTION 7 ELECTRICAL

**FIGURE 7-7. HARNESS COMPONENTS INSTALLATION (WITH UGM) (CONTINUED)**

ITEM #	PART NUMBER	QTY.	DESCRIPTION	REV.
533 cont'd	4461053	1	Cover, Plug (Deutz Engine Only)	
	4461008	A/R	Plug, Hole (Deutz Engine Only)	
534 to 537	Not Used			
538	4460891	1	Plug, Male - 2 Position (Caterpillar Engines Only)	
	4460465	2	Socket, Female (Caterpillar Engines Only)	
539	4460871	A/R	Socket, Female	
540 to 543	Not Used			
544	4461157	1	Receptacle, Female - 2 Position (Caterpillar/Deutz Engine Only)	
	4460979	2	Pin, Male (Caterpillar/Deutz Engine Only)	
	4460458	2	Seal, Terminal (Caterpillar/Deutz Engine Only)	
545 to 547	Not Used			
548	4461121	1	Plug, Male - 4 Position (GM Engine Only)	
	4461122	4	Socket, Female (GM Engine Only)	
	4461123	4	Seal, Terminal (GM Engine Only)	
549	4460899	1	Connector - 6 Position (Caterpillar Engines Only)	
	4460464	5	Pin, Male (Caterpillar Engines Only)	
	4460466	1	Seal, Plug (Caterpillar Engines Only)	
550	Not Used			
551	4461124	1	Receptacle, Female - 4 Position (GM Engine Only)	
	4460693	4	Pin, Male (GM Engine Only)	
	4460608	4	Seal, Terminal (GM Engine Only)	
	4461161	1	Lock, Terminal (GM Engine Only)	
552	Not Used			
553	2902443	1	Kit, Receptacle (Deutz Engine Only)	
	4461071	8	Terminal, Female (Gold) (Deutz Engine Only)	
	4461072	1	Connector, Flange Mount (Deutz Engine Only)	
	4461073	1	Connector, Dust Cap (Deutz Engine Only)	
	4461074	1	Connector, Shell (Deutz Engine Only)	
554	4461109	1	Plug, Male - 16 Position (GM Engine Only)	
	4461111	7	Pin, Male (GM Engine Only)	
	4461113	7	Seal, Terminal (GM Engine Only)	
	4461222	9	Plug, Cavity (GM Engine Only)	
	1001110379	Ref.	<b>GROUND CONTROL HARNESS ASSEMBLY</b>	B
601 to 615	Not Used			
616	4460536	1	Connector, Female 3- Position	
	4460943	3	Pin, Male	
617 to 620	Not Used			
621	3990010	2	Diode - 6 Amp (Not Shown)	
622 to 623	Not Used			
624	4460434	2	Connector, Male 15 - Position	
	4460227	A/R	Pin	
625	Not Used			
626	4460873	1	Connector, Male - 35 Position (Black)	
	4460871	A/R	Socket, Female	
	4460905	A/R	Plug, Seal	
627	Not Used			

## SECTION 7 ELECTRICAL

**FIGURE 7-7. HARNESS COMPONENTS INSTALLATION (WITH UGM) (CONTINUED)**

ITEM #	PART NUMBER	QTY.	DESCRIPTION	REV.
628	4120035	6	Base, Light	
	4460634	7	Terminal (16 Gauge)	
	4460635	5	Terminal (12 Gauge)	
629 to 634	Not Used			
635	4460418	9	Connector, Female - 6 Position	
	4460419	24	Socket, Female	
636 to 637	Not Used			
638	4460871	A/R	Socket, Female	
639	4460876	1	Connector, Male - 35 Position (Blue)	
	4460871	28	Socket, Female	
	4460905	A/R	Plug, Seal	
640 to 642	Not Used			
643	4460866	1	Connector, Female - 19 Pin	
	4460464	7	Pin, Male (16 Gauge)	
	4460508	3	Pin, Male (12 Gauge)	
644	4460878	1	Housing, Terminal - 4 Position	
	4460887	3	Terminal (12 Gauge)	
645 to 649	Not Used			
650	4460761	1	Connector, Female 4 - Position	
	4460227	4	Pin, Male	
651 to 654	Not Used			
655	8229242	2	Fuse 5A	
	2400060	2	Holder, Fuse	
656	Not Used			
657	1001106339	1	Connector, Male - 14 Position	
	4460871	2	Socket, Female	
	4460905	A/R	Plug, Seal	
658	1001106340	1	Connector, Male - 14 Position	
	4460871	5	Socket, Female	
659	4460874	1	Connector, Natural	
	4460871	10	Socket, Female	
	4460905	A/R	Plug, Seal	
660	4460875	1	Connector, Gray	
	4460871	2	Socket, Female	
661	1001112612	1	Connector - 9 Position	
	4460943	4	Pin, Male	
		Ref.	<b>STANDARD HARNESS COMPONENTS</b>	
701		1	Battery Cable Kit Options:	
	1001112763		Caterpillar Engines Machines (2 Relays on Engine Tray)	A
	2902296		Deutz Engines Machines (3 Relays on Engine Tray)	C
	2902531		GM Engine Machines	A
701A		1	Cable, Battery (Red) Options:	
	7027028		Caterpillar Engines Machines	
	1001116240	1	Deutz Engines Machines	
	7027015		GM Engine Machines	

## SECTION 7 ELECTRICAL

**FIGURE 7-7. HARNESS COMPONENTS INSTALLATION (WITH UGM) (CONTINUED)**

ITEM #	PART NUMBER	QTY.	DESCRIPTION	REV.
701B	7027029 7027004 7016822	1	Cable, Battery (Black) Options: Caterpillar Engines Machines Deutz Engines Machines GM Engine Machines	
701C	7027002	1	Cable (Red)	
701D	7027033 7027003	1	Cable (Black) Options: Caterpillar Engines Machines Deutz Engines Machines	
702 to 703	Not Used			
704	1001112071	1	Caterpillar Engine Harness Components (Caterpillar Engine Machines Only)	B
704A	4460894 4460465 4460466	1 5 1	Plug, Male - 6 Position Socket, Female Seal, Plug	
704B	4460891 4460465	1 2	Plug, Male - 2 Position Socket, Female	
704C	4460891 4460465	1 2	Plug, Male - 2 Position Socket, Female	
704D	70020808 70020809	1 16	Plug, Male - 23 Position Socket, Female	
704E	See Note	1	Connector - 8 Position <b>(Note: Not Available for Purchase)</b>	
704F	See Note	1	Connector - 5 Position <b>(Note: Not Available for Purchase)</b>	
705		A/R	Deutz Engine Harness Components (Deutz Engine Machines Only)	
705A	7027796	1	Deutz Engine Harness	
705B	4461052 4461053 4461005 4461006 4461060 4461054 4461008	1 1 5 5 2 2 18	Receptacle, Female - 25 Position Cover, Receptacle Terminal Seal (Used with p/n 4461005) Terminal Seal (Used with p/n 4461060) Plug, Hole	
705C	7027793	1	Plug-In, Connector	
705D	70001872	1	Deutz Engine Harness (For other replacement parts refer to Deutz engine dealer)	
706 to 707	Not Used			
708	See Note	1	Fuel Pump Harness (Caterpillar Engines Only) <b>(Note: Not Available for Purchase)</b>	
708A	4460897 4460464	1 2	Receptacle, Female -2 Position (Caterpillar Engines Only) Pin, Male (Caterpillar Engines Only)	
709	Not Used			
710	See Note	1	Pump Harness <b>(Note: Not Available for Purchase)</b>	
710A	7007497	1	Plug (Pump End)	
710B	7007498	1	Plug (Engine Harness End)	
711	See Note	1	Controller Harness Assembly (Lift and Swing) <b>(Note: Not Available for Purchase)</b>	
711A	7022819 4460871	1 8	Plug, Male - 8 Position (Natural) Socket, Female	
712	See Note	1	Controller Harness/Circuit Board Assembly (Drive and Steer) <b>(Note: Not Available for Purchase)</b>	

## SECTION 7 ELECTRICAL

**FIGURE 7-7. HARNESS COMPONENTS INSTALLATION (WITH UGM) (CONTINUED)**

ITEM #	PART NUMBER	QTY.	DESCRIPTION	REV.
712A	7022825	1	Plug, Male - 8 Position (Black)	
	4460871	7	Socket, Female	
713	See Note	1	Controller Harness (Speed Control) <b>(Note: Not Available for Purchase)</b>	
713A	4460224	1	Receptacle, Female - 6 Position	
	4460226	6	Socket, Female	
714	See Note	A/R	GM Engine Harness (GM Engine Machines Only) <b>(Note: Not Available for Purchase)</b>	
715	4923379	1	Harness, Glow Plugs (Deutz Engine Machines Only)	
716	4360517	1	Switch, Proximity	
716A	4460320	1	Connector - 2 Position	
	4460227	2	Pin, Male	
		Ref.	<b>OPTIONAL HARNESS COMPONENTS</b>	
801	4921927	1	Jib Valve Harness (600AJ Only)	3/F
801A	4460326	1	Plug, Male - 3 Position	
801B	4460267	3	Pin, Male	
801C	4460499	2	Connector, DIN with Diode	
802	4921928	1	4WS Valve Harness	3/E
802A	4460268	3	Socket, Female	
802B	4460445	1	Connector, Female - 3 Position	
802C	4460499	2	Connector, DIN with Diode	
803	0257887	1	Alarm Harness (Includes Alarm)	
	0140032	1	Alarm	
	2820035	6in/15cm	Loom	
803A	4460424	1	Plug, Male - 2 Position	
803B	4460268	2	Socket, Female	
804	0272507	1	Strobe Light Harness Options (Includes Strobe Light):	
804A	4460320	1	Connector, Female - 2 Position	
804B	4460267	2	Pin, Male	
805	See Note	1	Headlight & Taillight/Chassis Illumination Harness <b>(Note: Not Available for Purchase)</b>	
	1060341	A/R	Cable, Electrical 16/2 Options:	
		37ft/11.3m	Headlights & Taillights	
		40ft/12.2m	Chassis Illumination Lights	
805A	3740049	1	Relay	
	4460259	3	Terminal	
	4460260	4	Housing, Terminal	
	4460297	1	Terminal	
	4922643	1	Lights Harness for Ground Control Box	1/A
	4460226	2	Socket, Female	
806		A/R	2500W Generator Electrical Components Options:	
	100112588	Ref.	Caterpillar & Deutz Engines 110V/220V with Generator Control Box	A
	100112743	Ref.	Caterpillar & Deutz Engines 110V/220V without Generator Control Box	B
	4933350	Ref.	GM Engine	A

## SECTION 7 ELECTRICAL

**FIGURE 7-7. HARNESS COMPONENTS INSTALLATION (WITH UGM) (CONTINUED)**

ITEM #	PART NUMBER	QTY.	DESCRIPTION	REV.
806A	4460321	1	Connector, Male - 4 Position (Caterpillar, Deutz & GM Engines Specs with Generator Control Box)	
	4460906	4	Socket, Female	
806B	4922641	1	Harness - On/Off Switch	
806C	4460226	2	Socket, Female	
806D		1	Powermite Control Box to Relay Options:	
	1001112589		Caterpillar & Deutz Engines	
	4923445		GM Engines	
	4460374	1	Plug, Sealed Relay	
	4460375	3	Terminal	
	4460742	1	Plug, Male - 2 Position	
	4460743	1	Socket, Female	
	4460458	1	Seal, Terminal	
806E	4460961	1	Connector, Female - 4 Position (Caterpillar, Deutz & GM Engines Specs with Generator Control Box)	
	4460705	4	Pin, Male	
807		1	Generator to Rear of Boom Harness Options:	
		Ref.	<b>Note: Harness used to connect AC at platform harness to generator receptacle to power platform receptacle.</b>	
	4921829		110V (ANSI, ANSI Export & Japanese Specs)	2
	4921954		220V (ANSI & ANSI Export Specs)	2
	See Note		110V/220V (Australian, CE, Latin American & Brazilian Specs)	
			<b>(Note: Not Available for Purchase)</b>	
		A/R	Cable, Electrical - 12/3 Options:	
	1060494	6ft/1.8m	110V (ANSI, ANSI Export & Japanese Specs)	
	1060494	26ft/8m	220V (ANSI & ANSI Export Specs)	
	1060461	6ft/1.8m	110V/220V (Australian, CE, Latin American & Brazilian Specs)	
807A		1	Plug, Male Options:	
	4460205		110V (ANSI, ANSI Export & Japanese Specs)	
	4460233		220V (ANSI & ANSI Export Specs)	
	Not Required		110V/220V (Australian, CE, Latin American & Brazilian Specs) (Purchase Locally)	
	4460027	1	Receptacle, Twist Lock (110V Only)	
807B		1	Receptacle, Female Options:	
	4460134		110V (ANSI, ANSI Export & Japanese Specs)	
	4460701		220V (ANSI & ANSI Export Specs)	
	Not Required		110V/220V (Australian, CE, Latin American & Brazilian Specs) (Purchase Locally)	
808			AC to Platform Receptacle Components Options:	
	0255382	Ref.	110V GFI Receptacle (ANSI, ANSI Export & Japanese Specs)	B
	0257176	Ref.	220V Receptacle (ANSI, ANSI Export & Japanese Specs)	B
	0272433	Ref.	SkyPower Machines (All Specs)	B
	0274618	Ref.	Dual AC (ANSI Export Spec Option)	2/B
	0256202	Ref.	110V/220V (Australian, Latin American & Brazilian Specs)	B
		Ref.	110V/220V (CE Spec Only):	
		Ref.	<b>Without Powermite Generator:</b>	
	0256202		110V/220V (No Plug)	B
	0275653		220V with CEE 7 Post Ground Receptacle & Plug & Circuit Breaker (2x4 Box)	C



# SECTION 7 ELECTRICAL

**FIGURE 7-7. HARNESS COMPONENTS INSTALLATION (WITH UGM) (CONTINUED)**

ITEM #	PART NUMBER	QTY.	DESCRIPTION	REV.
808 cont'd	0275654		220V with CEE 7 Side Ground Receptacle & Plug & Circuit Breaker (2x4 Box)	C
	0275660		220V with AFSINT 107 Keyed Ground Receptacle & Plug & Circuit Breaker (2x4 Box)	C
	0275656		110V with IEC Yellow Receptacle & Plug & Circuit Breaker	C
	0275652		220V with IEC Blue Receptacle & Plug & Circuit Breaker	C
	0275655		220V with CEE 7 Post Ground Receptacle & Plug & Circuit Breaker (70mm x 70mm Box)	C
	0275651		220V with CEE 7 Side Ground Receptacle & Plug & Circuit Breaker (70mm x 70mm Box)	C
		Ref.	<b>With Powermite Generator:</b>	
	1001100397		220V with CEE 7 Post Ground Receptacle & Plug & Circuit Breaker (2x4 Box)	D
	1001100398		220V with CEE 7 Side Ground Receptacle & Plug & Circuit Breaker (2x4 Box)	D
	1001100399		220V with AFSINT 107 Keyed Ground Receptacle & Plug & Circuit Breaker (2x4 Box)	C
	1001100400		110V with IEC Yellow Receptacle & Plug & Circuit Breaker	C
	1001100401		220V with IEC Blue Receptacle & Plug & Circuit Breaker	C
	1001100402		220V with CEE 7 Post Ground Receptacle & Plug & Circuit Breaker (70mm x 70mm Box)	C
	1001100403		220V with CEE 7 Side Ground Receptacle & Plug & Circuit Breaker (70mm x 70mm Box)	C
808A		1	Box, Switch Options:	
	0860038		0255382, 0257176 & 0274618 Installations	
	Not Required		0256202 Installations (Purchase Locally)	
	0861731		0275253, 0275254, 0275660, 1001100397, 1001100398 & 1001100399 Installations	
	0861781		0275656, 0275652, 1001100400 & 1001100401 Installations	
	See Note		0275655, 0275651, 1001100402 & 1001100403 Installations ( <b>Note: Was p/n 0861782 which is no longer available. Use p/n 1001100344 CEE 7 Side Ground Service Kit or p/n 1001100343 CEE 7 Post Ground Service Kit. Kit include Box p/n 1001141967 &amp; items 808B, 808C, 808E &amp; 808P.</b> )	
	1001141967		1001100343, 1001100344, 1001141970 & 1001141971 Kits	
808B		1	Receptacle Options:	
	4460346		0255382 & 0274618 Installations	
	4460125		0257176 Installation	
	Not Required		0256202 Installations (Purchase Locally)	
	4461244		0275253 & 1001100397 Installations	
	4461245		0275654 & 1001100398 Installations	
	4461246		0275660 & 1001100399 Installations	
	4461198		0275656 & 1001100400 Installations	
	4461201		0275652 & 1001100401 Installations	
	Use 1001100343		0275655 & 1001100402 Installations (was p/n 4461204)	
	Use 1001100344		0275651 & 1001100403 Installations (was p/n 4461207)	
1001141968		1001100343 & 1001141971 Kits		
1001141969		1001100344 & 1001141970 Kits		

## SECTION 7 ELECTRICAL

**FIGURE 7-7. HARNESS COMPONENTS INSTALLATION (WITH UGM) (CONTINUED)**

ITEM #	PART NUMBER	QTY.	DESCRIPTION	REV.
808C	1001110873	1	Shield, Cover Options: 0255382 & 0274618 Installations (Top Hinged) 0257176 Installation 0256202 Installations (Purchase Locally) 0275253 & 1001100397 Installations 0275654 & 1001100398 Installations 0275660 & 1001100399 Installations 0275656 & 1001100400 Installations 0275652 & 1001100401 Installations 0275655 & 1001100402 Installations (was p/n 4461204) 0275651 & 1001100403 Installations (was p/n 4461207) 1001100343 & 1001141971 Kits 1001100344 & 1001141970 Kits	
	4060092			
	Not Required			
	4461244			
	4461245			
	4461246			
	4461198			
	4461201			
	Use 1001100343			
	Use 1001100344			
	1001141968			
1001141969				
808D	4460071	1	Connector, Strain Relief Options: 0255382, 0257176 & 0274618 Installations 0256202 Installations (Purchase Locally) 0275653, 0275654, 0275660, 0275656, 0275652, 0275655, 0275651, 1001100397, 1001100398, 1001100399, 1001100400, 1001100401, 1001100402 & 1001100403 Installations	
	Not Required	1		
	4460968	1		
808E	4460205	1	Plug, Male Options: 0255382 & 0274618 Installations 0257176 Installation 0256202 Installation (Purchase Locally) 0275653 & 0275655, 1001100397 & 1001100402 Installations & 1001100343 & 1001141971 Kits 0275652 & 1001100401 Installations 0275660 & 1001100399 Installations 0275656 & 1001100400 Installations 0275654, & 0275651, 1001100398 & 1001100403 Installations & 1001100344 & 1001141970 Kits	
	4460233			
	Not Required			
	4461202			
	4461199			
	4461249			
	4461196			
	4461205			
808F	4460205	1	Plug, Male Options: 0255382 & 0274618 Installations (Qty 4 Req'd for Dual AC) 0257176 Installation 0256202, 0275653, 0275654, 0275660, 0275656, 0275652, 0275655, 0275651, 1001100397, 1001100398, 1001100399, 1001100400, 1001100401, 1001100402 & 1001100403 Installations 0272433 Installation Cover - Top Hinged (0274618 Installations) Cover (Optional) 0272433 Installation (0256202 Installation S/N 0300167714 to S/N 0300175048) 0256202 Installation (USA Built Machines S/N 0300175048 to Present & China Built Machines S/N B300000809)	
	4460233			
	4460709			
	4460960			
	1001110872			
	1671093			
	1001156352			
808G	4460134	1	Connector, Female Options: 0255382 & 0274618 Installations (Qty 2 Required for Dual AC) 0257176 Installation	
	4460701			

# SECTION 7 ELECTRICAL

**FIGURE 7-7. HARNESS COMPONENTS INSTALLATION (WITH UGM) (CONTINUED)**

ITEM #	PART NUMBER	QTY.	DESCRIPTION	REV.
808G Cont'd	4460710		0256202, 0275653, 0275654, 0275660, 0275656, 0275652, 0275655, 0275651, 1001100397, 1001100398, 1001100399, 1001100400, 1001100401, 1001100402 & 1001100403 Installations	
	4460959		0272433 Installation Cover (Optional)	
	1671092		0272433 Installation (0256202 Installation S/N 0300167714 to S/N 0300175048)	
	1001156351		0256202 Installation (USA Built Machines S/N 0300175048 to Present & China Built Machines S/N B300000809)	
808H		A/R	Hardware Options:	
	0641405		Bolt 1/4in - 20NC x 5/8in	
	0641407		Bolt 1/4in - 20NC x 7/8in	
	0641416		Bolt 1/4in - 20NC x 2in	
	0700408		Screw M4 x 16mm	
	3290405		Locknut M4	
	3311405		Locknut 1/4in - 20NC	
	4711400		Flatwasher 1/4in Thin	
	4811400		Flatwasher M4	
808J		A/R	Bracket, Receptacle Box Mounting Options:	
	Not Required	0	0255382, 0274618, 0257176 & 0256202 Installations	
	0903484	1	0275653, 0275654, 0275660, 0275656, 0275652, 0275655, 0275651, 1001100397, 1001100398, 1001100399, 1001100401, 1001100402 & 1001100403 Installations	
808K		A/R	Bracket, Circuit Breaker Mounting Options:	
	Not Required	0	0255382, 0274618, 0257176 & 0256202 Installations	
	0903612	1	0275653, 0275654, 0275660, 0275656, 0275652, 0275655, 0275651, 1001100397, 1001100398, 1001100399, 1001100400, 1001100401, 1001100402 & 1001100403 Installations	
808L		A/R	Breaker, Circuit Kit Options (Required on All CE Spec Installations Except 0256202 Installation):	
	1001096070		Kit (Without Powermite Generator Control Box)	D
	1001109554		Kit (With Powermite Generator Control Box)	B
		1	Circuit Breaker Options:	
		Ref.	<b>Note: Kit p/n 2902549 Kit used a single large breaker p/n 2400093. Replace with 2 breakers. For machines with Powermite Generator Control Box use both p/ns 1001109477 &amp; 1001109482. For machines without Powermite Generator Control Box use both p/ns 1001109475 &amp; 1001109482.</b>	
	1001109477		Breaker 10A	
	1001109475		Breaker 16A	
	1001109482		Breaker 30mA	
	0861880	1	Breaker Box	
	4460957	1	Terminal Block	
	4460956	1	Barrier, Terminal Block End	
808M	1001101191	2	Connector, Strain Relief Options (Required Only on CE Spec Installations Except 0256202 Installation):	
808N	1060908	12ft/3.7m	Cable, Extension (Required Only on CE Spec Installations Except 0256202 Installation):	

## SECTION 7 ELECTRICAL

**FIGURE 7-7. HARNESS COMPONENTS INSTALLATION (WITH UGM) (CONTINUED)**

ITEM #	PART NUMBER	QTY.	DESCRIPTION	REV.
808P	Not Required	1	Connector, Female Options: 0255382, 0274618, 0257176, 0275653, 0275654, 0275660, 0275656, 0275652, 0275655 & 0275651 Installations	
	Not Required		0256202 Installation (Purchase Locally)	
	4461203		1001100402 & 1001100397 Installations & 1001100343 & 1001141971 Kits	
	4461200		1001100401 Installation	
	4461250		1001100399 Installation	
	4461197		1001100400 Installation	
	4461206		1001100403 & 1001100398 Installations & 1001100344 & 1001141970 Kits	
			-----	
			Kit, Plug & Socket Options:	
			Without Generator:	
	0275452		Receptacle Box Kit (220V CEE 7 Post Ground) (Includes Items 808A, 808B, 808C & 808E) (0275653 Installation)	1
	0275453		Receptacle Box Kit (220V CEE 7 Side Ground) (Includes Items 808A, 808B, 808C & 808E) (0275654 Installation)	1
	0275454		Receptacle Box Kit (220V AFSINT 107 Keyed Ground) (Includes Items 808A, 808B, 808C & 808E) (0275660 Installation)	1
	0275216		Receptacle Box Kit (110V IEC Yellow) (Includes Items 808A, 808B, 808C & 808E) (0275656 Installation)	1
	0275217		Receptacle Box Kit (220V IEC Blue) (Includes Items 808A, 808B, 808C & 808E) (0275652 Installation)	1
	Use 1001100343		Receptacle Box Kit (220V CEE 7 Post Ground) (Includes Items 808A, 808B, 808C & 808E) (0275655 Installation) (was p/n 0275218)	B/B
	Use 1001100344		Receptacle Box Kit (220V CEE 7 Side Ground) (Includes Items 808A, 808B, 808C & 808E) (0275651 Installation) (was p/n 0275219)	B/B
			With Generator:	
	1001100345		Receptacle Box Kit (220V CEE 7 Post Ground) (Includes Items 808A, 808B, 808C, 808E & 808P) (1001100397 Installation)	2
	1001100347		Receptacle Box Kit (220V CEE 7 Side Ground) (Includes Items 808A, 808B, 808C, 808E & 808P) (1001100398 Installation)	3
	1001100346		Receptacle Box Kit (220V AFSINT 107 Keyed Ground) (Includes Items 808A, 808B, 808C, 808E & 808P) (1001100399 Installation)	2
	1001100341		Receptacle Box Kit (110V IEC Yellow) (Includes Items 808A, 808B, 808C, 808E & 808P) (1001100400 Installa- tion)	2
	1001100342		Receptacle Box Kit (220V IEC Blue) (Includes Items 808A, 808B, 808C, 808E & 808P) (1001100401 Installa- tion)	2
	1001100343		Receptacle Box Kit (220V CEE 7 Post Ground) (Includes Items 808A, 808B, 808C, 808E & 808P) (1001100402 Installation)	B
	1001100344		Receptacle Box Kit (220V CEE 7 Side Ground) (Includes Items 808A, 808B, 808C, 808E & 808P) (1001100403 Installation)	B

## SECTION 7 ELECTRICAL

**FIGURE 7-7. HARNESS COMPONENTS INSTALLATION (WITH UGM) (CONTINUED)**

ITEM #	PART NUMBER	QTY.	DESCRIPTION	REV.
809		Ref.	7500W SkyPower Generator Installation	
	1001115401	Ref.	60Hz & Caterpillar Engine	C
	1001115391	Ref.	60Hz & Deutz Engine	C
	1001115402	Ref.	50Hz Spec & Caterpillar Engine	C
	1001115392	Ref.	50Hz Spec & Deutz Engine	B
	0275257	Ref.	60Hz Spec & GM Engine	F
		Ref.	<b>Note: SkyPower generator is standard on ANSI &amp; CSA Specs. Optional on All Other Specs.</b>	
809A	4460958 See Note	1	Receptacle, Female Twist-Lock Options: 60Hz Spec 50Hz Spec ( <b>Note: Not Available - Purchase Locally</b> )	
809B	3960422 See Note	2	Gasket Options: 60Hz Spec 50Hz Spec ( <b>Note: Not Available - Purchase Locally</b> )	
809C	1001110873 See Note	1	Cover, Receptacle Options: 60Hz Spec 50Hz Spec ( <b>Note: Not Available - Purchase Locally</b> )	
809D	1001110872 See Note	1	Cover, Receptacle Options: 60Hz Spec 50Hz Spec ( <b>Note: Not Available - Purchase Locally</b> )	
809E	4460346 See Note	1	Receptacle Options: 60Hz Spec 50Hz Spec ( <b>Note: Not Available - Purchase Locally</b> )	
809F	4460051	1	Connector, Strain Relief	
809G	4460071	1	Connector, Strain Relief	
809H	4922925	1	Harness, Generator	
809I	See Note	1	Plug, Male - 6 Position ( <b>Note: Not Available for Purchase</b> )	
	See Note	6	Socket, Female ( <b>Note: Not Available for Purchase</b> )	
809J	4460225	1	Plug, Male - 6 Position	
	4460226	6	Socket, Female	
810		Ref.	7500W SkyPower Generator Junction Box Components	
	0861542	Ref.	60Hz Spec	C
	0861567	Ref.	50Hz Specs	B
810A	1060494 See Note	2ft/.6m	Cable, Electrical 12/3 60Hz Spec 50Hz Spec ( <b>Note: Not Available - Purchase Locally</b> )	
810B	1060708 See Note	2.5ft/.76m	Cable, Electrical 10/3 60Hz Spec 50Hz Spec ( <b>Note: Not Available - Purchase Locally</b> )	
810C	1060343	1.5ft/.46m	Cable, Electrical 10/4 (60Hz Spec Only)	
810D	4460425	2	Connector, Strain Relief	
810E	4460426	A/R	Component Options:	
	4460426	2	Connector, Strain Relief (60Hz Spec Only)	
	4460426	1	Connector, Strain Relief (50Hz Spec Only)	
	3520189	1	Plug (50Hz Spec Only)	
810F	1671092	1	Cover (60Hz Spec Only)	
	4460963	1	Connector (60Hz Spec Only)	

## SECTION 7 ELECTRICAL

**FIGURE 7-7. HARNESS COMPONENTS INSTALLATION (WITH UGM) (CONTINUED)**

ITEM #	PART NUMBER	QTY.	DESCRIPTION	REV.
811		Ref.	7500W Generator Electrical Diagram Components	
	100112586	Ref.	Caterpillar & Deutz Engine Machines	A
	4933349	Ref.	GM Engine Machines	B
811A		1	Generator Harness Options:	
	100112587		Caterpillar & Deutz Engine Machines	A
811B	4460374	2	Plug, Sealed Relay	
	4460375	7	Terminal	A
811C	4460967	1	Plug, Male - 3 Position	
	4460465	3	Socket, Female	
811D	2400060	1	Fuseholder	
	2400064	1	Fuse - 5 Amp	
811E	4922641	1	Switch Harness	
811F	4460226	2	Socket, Female	
811G	4460742	1	Plug, Male - 2 Position	
	4460743	2	Socket, Female	
	4460458	2	Seal, Terminal	
812	4933308	1	Floodlights Harness Components	1/A
812A	4460320	2	Plug, Male - 2 Position	
	4460227	4	Pin, Male	
812B	4922764	1	Floodlight Harness (Lights to Switch)	1/A
812C	4460424	2	Connector, Female - 2 Position	
	4460226	4	Socket, Female	
812D	4360232	1	Circuit Breaker - 15 Amp	
812E	1060977	1	Cord, 2 Wire Coiled (Console Box Circuit Breaker to Switch)	
812F	4460425	1	Connector, Strain Relief	
812G	4460459	1	Plug, Male - 3 Position	
	4460790	3	Socket, Female	
	4460789	3	Seal	
812H	4460476	1	Receptacle, Female	
	4460850	3	Pin, Male	
	4460790	3	Socket, Female	
812J	1060494	33ft/10.1m	Electrical Cable 12/3 (Lower Boom to Aux Relay)	
812K	1060494	47ft/14.3m	Electrical Cable 12/3 (Upper Boom to Console Box)	
813		A/R	Platform Worklights Components	
813A	2920140	2	Platform Worklights External Harness (Includes Light & Wire Only)	
813B	4460459	1	Plug, Male - 3 Position	
	4460790	3	Socket, Female	
	4460789	3	Seal	
813C	4460476	1	Receptacle, Female	
	4460850	3	Pin, Male	
	4460790	3	Socket, Female	
813D	4460426	1	Connector, Strain Relief	
813E	2400070	1	Fuse	
	2400066	1	Holder, Fuse	
813F	4922894	1	Worklights Harness (Upper Boom to Worklights)	
	1060494	47ft/14.3mm	Cable, Electrical - 12/3	
813G	4922892	1	Worklights Harness (Lower Boom to Aux. Power Solenoid)	
	1060494	33ft/10.1mm	Cable, Electrical - 12/3	

# SECTION 7 ELECTRICAL

**FIGURE 7-7. HARNESS COMPONENTS INSTALLATION (WITH UGM) (CONTINUED)**

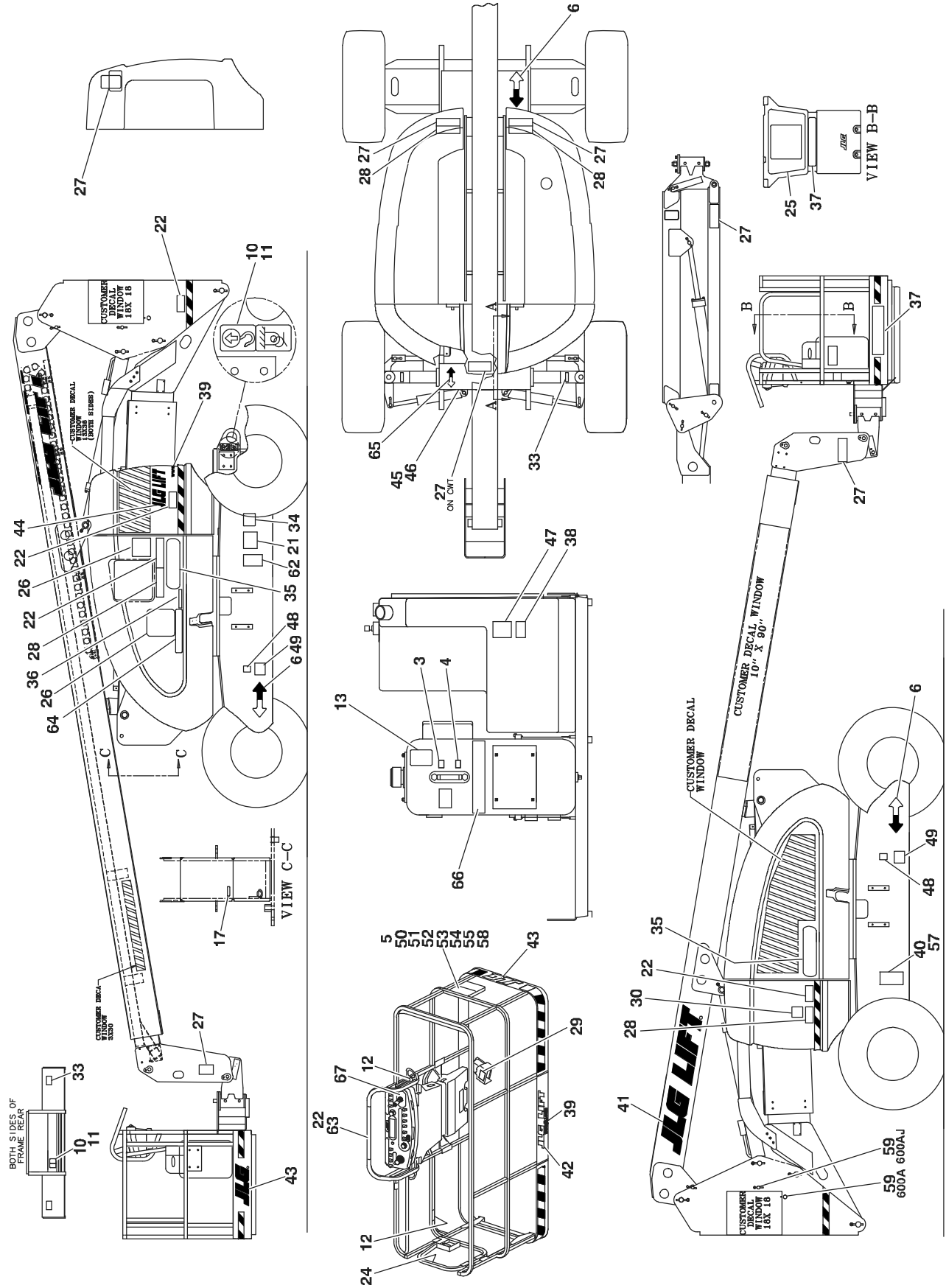
ITEM #	PART NUMBER	QTY.	DESCRIPTION	REV.
		Ref.	<b>TOOLS</b>	
901	7002821	1	Crimper (For Wire to Pin/Socket Connections) (Not Shown)	
902	7002823	1	Extractor (For Removal of Pin/Socket from Connectors) (Not Shown)	
903	4460467	1	Extractor, Pin (Blue 16-18 Gauge) (For Removal of Pin/Socket from Connectors) (Not Shown)	
904	4460510	1	Extractor, Pin (Yellow 12-14 Gauge) (For Removal of Pin/Socket from Connectors) (Not Shown)	
905	7002828	1	Stripper, Wire (Not Shown)	
906	2901443	1	Analyzer Kit (Not Shown)	
906A	1600244	1	Analyzer	
906B	1060633	1	Cable, Analyzer	1/A
906C	4460321	2	Plug, Male	
	4460226	8	Socket, Female	
907	1001137005	1	Software Cable Kit (Not Shown)	

# **SECTION 8 DECALS**



# SECTION 8 DECALS

## FIGURE 8-1. DECAL INSTALLATION (ANSI SPEC)



## SECTION 8 DECALS

**FIGURE 8-1. DECAL INSTALLATION (ANSI SPEC)**

ITEM #	PART NUMBER	QTY.	DESCRIPTION	REV.
		Ref.	<b>DECALS INSTALLATIONS</b>	
	0274094	Ref.	<b>Decals Installation - JLG Logo</b>	2
	0273891	Ref.	<b>Decals Installation - 600A</b>	B
	0273892	Ref.	<b>Decal Installation - 600AJ</b>	B
1 to 2	Not Used			
3	1701502	1	Decal - High Oil Level (USA Built Machines S/N 0300087000 to S/N 0300134296 Only)	
4	1701503	1	Decal - Low Oil Level (USA Built Machines S/N 0300087000 to S/N 0300134296 Only)	
5	1701509	1	Decal - Manual	
6	1701529	6	Decal - Arrow	
7 to 9	Not Used			
10	1703811	4	Decal - Tie Down/Lift	
11	1703814	6	Decal - Tie Down	
12	1704277	4	Decal - Attach Lanyard Here	
13	1704412	1	Decal - Hydraulic Oil Chart	
14 to 16	Not Used			
17	3251243	1	Nameplate - 120V-60HZ	
18 to 20	Not Used			
21	1702153	1	Decal - Inspection (USA Built Machines S/N 0300087000 to S/N 0300134296 Only)	
22	1703953	7	Decal - Warning Crushing	
23	1704972	1	Decal - Warning Explosion/Fire Options (Not Shown - Located on fan shroud):	
24	1702868	2	Decal - No Hands	
25	1703797	1	Decal - Warning/Danger	
26	1705336	1	Decal - Warning Inspection (MTB)	
27	1703804	6	Decal - Warning Crushing	
28	1703805	5	Decal - Danger Electrocution	
29	3252347	1	Nameplate - Footswitch	
30	3251813	1	Decal - USA	
		Ref.	<b>Note: Not Used on China Built Machines</b>	
31 to 32	Not Used			
33	2902350	1	Kit, Decal Max Tire Load (Includes Qty 4 of p/n 1703469)	1
	1703469	4	Decal - Max Tire Load	
34	See Note	1	Decal - Bar Code ( <b>Note: Not Available for Purchase</b> )	
35		2	Decal Options:	
	1702818		Decal - 600A	
	1702819		Decal - 600AJ	
36		1	Decal Capacity Options:	
			600A Decals Options:	
	1704104		USA Built Machines S/N 0300087000 to S/N 0300100046	
	1707014		USA Built Machines S/N 0300100046 to S/N 0300142595	
	1001121813		USA Built Machines S/N 0300142595 to Present	
	1001121813		China Built Machines S/N B300000100 to Present	
			600AJ Decals Options:	
	1702688		USA Built Machines S/N 0300087000 to S/N 0300100046	
	1707013		USA Built Machines S/N 0300100046 to S/N 0300142595	
	1001121814		USA Built Machines S/N 0300142595 to Present	

## SECTION 8 DECALS

**FIGURE 8-1. DECAL INSTALLATION (ANSI SPEC) (CONTINUED)**

ITEM #	PART NUMBER	QTY.	DESCRIPTION	REV.
36 (cont'd)	1001121813		China Built Machines S/N B300000100 to Present	
37		2	Decal Capacity Options: 600A Decals Options: USA Built Machines S/N 030008700 to S/N 0300142595 1001121800 USA Built Machines S/N 0300142595 to Present 1001121800 China Built Machines S/N B300000100 to Present 600AJ Decals Options: 1701645 USA Built Machines S/N 030008700 to S/N 0300142595 1001121801 USA Built Machines S/N 0300142595 to Present 1001121801 China Built Machines S/N B300000100 to Present	
38	1001108923	1	Decal - EPA/Carb Fuel Spec (US Built Diesel Machines S/N 0300135240 to Present)	
39	1704885	A/R	Decal - Website	
40	See Note	1	Nameplate, Manufacturer Serial Number ( <b>Note: Not Available for Purchase</b> )	
41	1702861	2	Decal - JLG Lift (8in Height)	
42	1702774	1	Decal - JLG Lift (3-1/2in Height)	
43	1702773	1	Decal - JLG (5in Height)	
44	1702860	1	Decal - JLG Lift (5in Height)	
45	3250872	1	Nameplate - Steer/Tow Selector	
46	1705090	1	Decal - Towing Instructions	
47		1	Decal - Fuel Options: 1701505 Diesel 1701542 Gas	
48	1701543	1	Decal - LP Gas (Ford & GM Engine Machines Only)	
49	1700818	2	Decal - LP Gas (Liquid) (Ford & GM Engine Machines Only)	
50	0100011	A/R	Compound, Locking	
51	0641406	4	Bolt 1/4in-20NC x 3/4in	
52	0641408	A/R	Bolt 1/4in-20NC x 1in	
53	0860520	1	Box, Manual Storage	
54	1060279	A/R	Cable, Lanyard	
55	3311405	A/R	Locknut 1/4in-20NC	
56	Not Used			
57	3820001	4	Rivet	
58	4751400	A/R	Flatwasher 1/4in Regular	
59	3250033	2	Plug (US Built Machines S/N 0300087000 to S/N 0300101241)	
60 to 61	Not Used			
62		1	Decal - Patent Options: 1700584 USA Built Machines S/N 0300087000 to S/N 0300150371 & China Built Machines S/N B300000100 to S/N B300000299 1001131269 USA Built Machines S/N 0300150371 to Present & China Built Machines S/N B300000299 to Present	
63		1	Decal - Legend Options: 1702784 USA Built Machines S/N 0300087000 to S/N 0300099061 1706931 USA Built Machines S/N 0300099061 to S/N 0300138649 1001108493 USA Built Machines S/N 0300138649 to Present 1001108493 China Built Machines S/N B300000100 to Present	

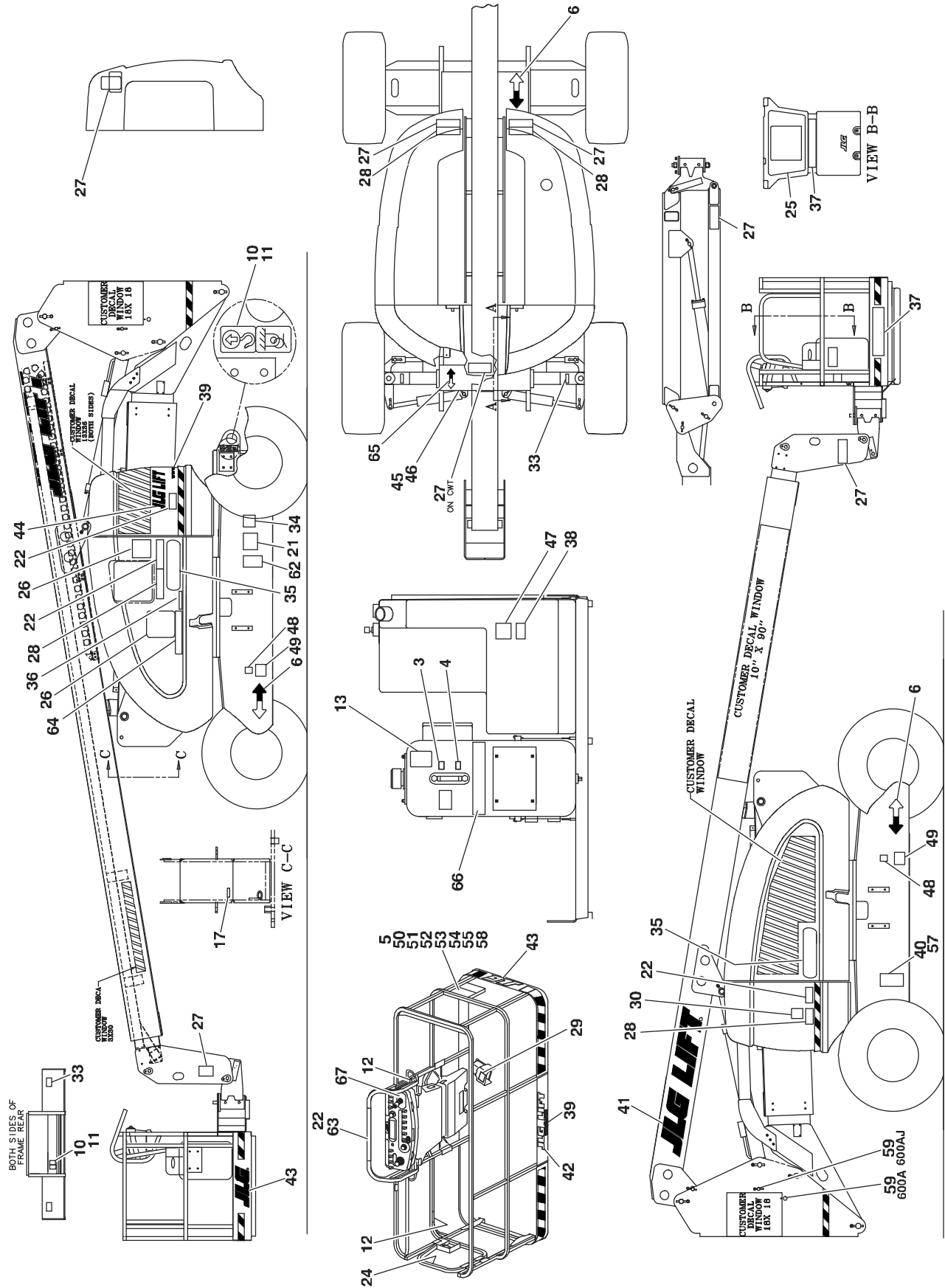
## SECTION 8 DECALS

**FIGURE 8-1. DECAL INSTALLATION (ANSI SPEC) (CONTINUED)**

ITEM #	PART NUMBER	QTY.	DESCRIPTION	REV.
64	1703808	1	Decal - Legend (MTB) Options: USA Built Machines S/N 0300087000 to S/N 0300099061 USA Built Machines S/N 0300099061 to Present China Built Machines S/N B300000100 to Present	
	1706941			
	1706941			
65	1703687	1	Decal - Direction Arrow (6-3/4in)	
66	1702265	1	Decal - Upright Level Over-Ride (USA Built Machines S/N 0300087746 to Present & China Built Machines S/N B300000100 to Present)	
67	1705351	1	Decal - Drive/Steer Instructions (USA Built Machines S/N 0300138649 to Present & China Built Machines S/N B300000100 to Present)	
			-----	
	2902303	1	Master Decal Kit (Includes Items 5-17)	6
	2902307	1	ANSI Decal Kit (Includes Items 22, 24-28 & 30)	3

# SECTION 8 DECALS

## FIGURE 8-2. DECAL INSTALLATION (ANSI EXPORT SPEC)



## SECTION 8 DECALS

**FIGURE 8-2. DECAL INSTALLATION (ANSI EXPORT SPEC)**

ITEM #	PART NUMBER	QTY.	DESCRIPTION	REV.
		Ref.	<b>DECAL INSTALLATIONS</b>	
	0274094	Ref.	<b>Decals - JLG Logo</b>	2
	0273891	Ref.	<b>600A ANSI Export Spec (English Language)</b>	B
	0273901	Ref.	<b>600A Brazil Spec (Portuguese Languages)</b>	B
	0273893	Ref.	<b>600A Canadian Spec (English/French Languages)</b>	11
	1001116840	Ref.	<b>600A Chinese Spec (English/Simplified Chinese Languages)</b>	B
	1001116841	Ref.	<b>600A Chinese Spec (English/Traditional Chinese Languages)</b>	B
	0273903	Ref.	<b>600A Japanese Spec</b>	B
	1001138757	Ref.	<b>600A Korean Spec</b>	B
	0273899	Ref.	<b>600A Latin American Spec (English/Spanish Languages)</b>	B
	0273892	Ref.	<b>600AJ ANSI Export Spec (English Language)</b>	B
	0273902	Ref.	<b>600AJ Brazilian Spec (Portuguese Languages)</b>	B
	0273894	Ref.	<b>600AJ Canadian Spec (English/French Languages)</b>	11
	1001116842	Ref.	<b>600AJ Chinese Spec (English/Simplified Chinese Languages)</b>	B
	1001116843	Ref.	<b>600AJ Chinese Spec (English/Traditional Chinese Languages)</b>	B
	0273904	Ref.	<b>600AJ Japanese Spec</b>	B
	1001138758	Ref.	<b>600A Korean Spec</b>	B
	0273900	Ref.	<b>600AJ Latin American Spec (English/Spanish Languages)</b>	B
1	2902303	1	Kit, Decal Master (Includes Items 5-17 except where noted)	6
2	Not Used			
3	1701502	1	Decal - High Oil Level (USA Built Machines S/N 0300087000 to S/N 0300134296)	
4	1701503	1	Decal - Low Oil Level (USA Built Machines S/N 0300087000 to S/N 0300134296)	
5	1701509	1	Decal - Manual	
6	1701529	6	Decal - Arrow	
7 to 9	Not Used			
10	1703811	4	Decal - Tie Down/Lift	
11	1703814	6	Decal - Tie Down	
12	1704277	4	Decal - Attach Lanyard Here	
13	1704412	1	Decal - Hydraulic Oil Chart	
14 to 16	Not Used			
17		A/R	Nameplate - 120V-60HZ Options:	
	3251243	1	ANSI Export Spec	
	Not Required	0	Brazil Specs	
	3251813	1	Canadian Spec ( <b>Note: Not in Kit 2902303 - Must be purchased separately</b> )	
	3251243	1	Chinese Spec	
	3251243	1	Japanese Specs	
	3251243	1	Korean Specs	
	3251243	1	Latin American Spec	
18		1	Kit, Decal Multi Color (Includes Items 19-22 & 24-29) Options:	
	2902307		ANSI Export Spec	6
	2902312		Brazil Specs	8
	2902322		Canadian Spec	8
	1001116844		Chinese (Simplified) Spec	2
	2902309		Chinese (Traditional) Spec	8
	2902308		Japanese Spec	8

## SECTION 8 DECALS

**FIGURE 8-2. DECAL INSTALLATION (ANSI EXPORT SPEC) (CONTINUED)**

ITEM #	PART NUMBER	QTY.	DESCRIPTION	REV.
18 (cont'd)	2902310	1	Korean Specs	9
	2902311		Latin American Spec	
19 to 20	Not Used			
21		A/R	Decal - Inspection Options:	
	Not Required	0	ANSI Export Spec	
	1705901	1	Brazil Specs (USA Built Machines S/N 0300087000 to S/N 0300151393 & China Built Machines S/N B300000100 to S/N B300000357)	
	1704006	1	Canadian Spec (USA Built Machines S/N 0300087000 to S/N 0300151393 & China Built Machines S/N B300000100 to S/N B300000357)	
	Not Required	0	Chinese Spec	
	Not Required	0	Japanese Spec	
	Not Required	0	Korean Spec	
	1704007	1	Latin American Spec (USA Built Machines S/N 0300087000 to S/N 0300151393 & China Built Machines S/N B300000100 to S/N B300000357)	
22		A/R	Decal - Warning Crushing Options:	
	1703953	7	ANSI Export Spec	
	1705903	7	Brazil Specs	
	1703942	7	Canadian Spec	
	1001116845	4	Chinese (Simplified) Spec	
	1703943	4	Chinese (Traditional) Spec	
	1703944	3	Japanese Spec	
	1703945	3	Korean Spec	
	1703941	7	Latin American Spec	
23		A/R	Decal - Warning Explosion/Fire Options (Not Shown - Located on fan shroud):	
	1704972	1	ANSI Export Spec	
	1706059	1	Brazil Specs	
	1706064	1	Canadian Spec	
	1706060	1	Chinese Spec	
	1706062	1	Japanese Spec	
	1706061	3	Korean Spec	
	1706063	1	Latin American Spec	
24		A/R	Decal - No Hands Options:	
	1702868	2	ANSI Export Spec	
	1705967	2	Brazil Specs	
	1704000	2	Canadian Spec	
	1706968	2	Chinese (Simplified) Spec	
	1001116846	2	Chinese (Traditional) Spec	
	Not Required	0	Japanese Spec	
	1705969	2	Korean Spec	
	1704001	2	Latin American Spec	
25		A/R	Decal - Warning/Danger Options:	
	1703797	1	ANSI Export Spec	
	1705895	1	Brazil Specs	
	1703924	1	Canadian Spec	
	1001116847	1	Chinese (Simplified) Spec	
	1703925	1	Chinese (Traditional) Spec	

## SECTION 8 DECALS

**FIGURE 8-2. DECAL INSTALLATION (ANSI EXPORT SPEC) (CONTINUED)**

ITEM #	PART NUMBER	QTY.	DESCRIPTION	REV.
25 (cont'd)	1703926	1	Japanese Spec	
	1703927	2	Korean Spec	
	1703923	1	Latin American Spec	
26		A/R	Decal - Warning Inspection (MTB)	
	1705336	1	ANSI Export Spec	
	1705896	1	Brazil Specs	
	1705347	1	Canadian Spec	
	1001116848	1	Chinese (Simplified) Spec	
	1001116849	1	Chinese (Traditional) Spec	
	1705344	1	Japanese Spec	
	1705345	2	Korean Spec	
	1705917	1	Latin American Spec	
	27		A/R	Decal - Warning Crushing Options:
1703804		6	ANSI Export Spec	
1705898		5	Brazil Specs	
1703948		6	Canadian Spec	
1001116850		6	Chinese (Simplified) Spec	
1703949		6	Chinese (Traditional) Spec	
1703950		3	Japanese Spec	
1703951		2	Korean Spec	
1703947		3	Latin American Spec	
28			A/R	Decal - Danger Electrocutation Options:
	1703805	5	ANSI Export Spec	
	1705897	5	Brazil Specs	
	1703936	5	Canadian Spec	
	1703937	5	Chinese (Simplified) Spec	
	1001116851	5	Chinese (Traditional) Spec	
	1703938	5	Japanese Spec	
	1703939	2	Korean Spec	
	1703935	5	Latin American Spec	
	29		A/R	Decal - Foot Switch Options:
3252347		1	ANSI Export Spec	
1705902		1	Brazil Specs	
1703984		1	Canadian Spec	
1703937		1	Chinese (Simplified) Spec	
1001116852		1	Chinese (Traditional) Spec	
1703980		1	Japanese Spec	
1703981		2	Korean Spec	
1703983		1	Latin American Spec	
30			A/R	Decal - USA Options:
		Ref.	<b>Note: Not Used on China Built Machines</b>	
	3251813	1	All Specs except Japanese Specs	
	3251813	1	Japanese Specs (USA Built Machines S/N 0300087000 to S/N 0300150371 & China Built Machines S/N B300000100 to S/N B300000299)	
	Not Required	0	Japanese Specs (USA Built Machines S/N 0300150371 to Present & China Built Machines S/N B300000299 to Present)	
31	Not Used			
32	2902350	1	Kit, Decal Max Tire Load (Includes Item 33)	1





## SECTION 8 DECALS

**FIGURE 8-2. DECAL INSTALLATION (ANSI EXPORT SPEC) (CONTINUED)**

ITEM #	PART NUMBER	QTY.	DESCRIPTION	REV.
36 (cont'd)	1001121816		Canadian Spec	
	1001121825		Chinese (Simplified) Spec	
	1001121823		Chinese (Traditional) Spec	
	1001121821		Japanese Spec	
	1001121921		Korean Spec	
	1001121815		Latin American Spec	
			China Built Machines S/N B300000100 to Present:	
	1001121655		Brazil Spec	
	1001121816		Canadian Spec	
	1001121825		Chinese (Simplified) Spec	
	1001121823		Chinese (Traditional) Spec	
	1001121821		Japanese Spec	
	1001121818		Latin American Spec	
	37		2	Decal Capacity Options:
		Ref.	<b>600A Decal Options:</b>	
			USA Built Machines S/N 0300087000 to S/N 0300142595:	
1706380			Brazil Specs	
1704099			Canadian Spec	
1001116853			Chinese (Simplified) Spec	
1704101			Chinese (Traditional) Spec	
1704102			Japanese Spec	
1704098			Latin American Spec	
			USA Built Machines S/N 0300142595 to Present:	
1001121806			Brazil Specs	
1001121802			Canadian Spec	
1001121811			Chinese (Simplified) Spec	
1001121809			Chinese (Traditional) Spec	
1001121807			Japanese Spec	
1001122200			Korean Spec	
1001121804			Latin American Spec	
			China Built Machines S/N B300000100 to Present:	
1001121806			Brazil Specs	
1001121802			Canadian Spec	
1001121811			Chinese (Simplified) Spec	
1001121809			Chinese (Traditional) Spec	
1001121807			Japanese Spec	
1001121804			Latin American Spec	
			<b>600AJ Decal Options:</b>	
			USA Built Machines S/N 0300087000 to S/N 0300100046:	
1703996			Brazil Spec	
1703996			Canadian Spec	
1703996		Japanese Spec		
1703996		Latin American Spec		
		USA Built Machines S/N 0300100046 to S/N 0300142595:		
1707057		Brazil Spec		
1707055		Canadian Spec		
1001116857		Chinese (Simplified) Spec		
1001116860		Chinese (Traditional) Spec		
1707059		Japanese Spec		

## SECTION 8 DECALS

**FIGURE 8-2. DECAL INSTALLATION (ANSI EXPORT SPEC) (CONTINUED)**

ITEM #	PART NUMBER	QTY.	DESCRIPTION	REV.
37 (cont'd)	1707056		Latin American Spec USA Built Machines S/N 0300142595 to Present:	
	1001121656		Brazil Specs	
	1001121803		Canadian Spec	
	1001121812		Chinese (Simplified) Spec	
	1001121810		Chinese (Traditional) Spec	
	1001121808		Japanese Spec	
	1001121918		Korean Spec	
	1001121805		Latin American Spec	
			China Built Machines S/N B300000100 to Present:	
	1001121656		Brazil Specs	
	1001121803		Canadian Spec	
	1001121812		Chinese (Simplified) Spec	
	1001121810		Chinese (Traditional) Spec	
	1001121808		Japanese Spec	
	1001121805		Latin American Spec	
38	1001108923	1	Decal - EPA/Carb Fuel Spec (USA Built CSA Spec Diesel Machines S/N 0300135240 to Present)	
39	1704885	A/R	Decal - Website	
40	See Note	1	Nameplate, Manufacturers Serial Number <b>(Note: Not Available for Purchase)</b>	
41	1702861	2	Decal - JLG Lift (8in Height)	
42	1702774	1	Decal - JLG Lift (3-1/2in Height)	
43	1702773	1	Decal - JLG (5in Height)	
44	1702860	1	Decal - JLG Lift (5in Height)	
45	3250872	1	Nameplate - Steer/Tow Selector	
46	1705090	1	Decal - Towing Instructions	
47		1	Decal - Fuel	
	1701505		Diesel	
	1701542		Gas	
48	1701543	1	Decal - LP Gas	
49		A/R	Decal - LP Gas (Liquid) Options:	
	1700818	2	ANSI Export Specs	
	Not Required	0	Brazil Specs	
	1704271	2	Canadian Spec	
	Not Required	0	Chinese Specs	
	Not Required	0	Japanese Specs	
	Not Required	0	Korean Specs	
	1702720	2	Latin American Spec	
50	0100011	A/R	Compound, Locking	
51	0641406	4	Bolt 1/4in-20NC x 3/4in	
52	0641408	A/R	Bolt 1/4in-20NC x 1in	
53	0860520	1	Box, Manual Storage	
54	1060279	A/R	Cable, Lanyard	
55	3311405	A/R	Locknut 1/4in-20NC	
56	Not Used			
57	3820001	4	Rivet	
58	4751400	A/R	Flatwasher 1/4in Regular	
59	3250033	2	Plug (USA Built Machines S/N0300087000 to S/N0300101241)	
60 to 61	Not Used			

## SECTION 8 DECALS

**FIGURE 8-2. DECAL INSTALLATION (ANSI EXPORT SPEC) (CONTINUED)**

ITEM #	PART NUMBER	QTY.	DESCRIPTION	REV.
62	1700584	1	Decal - Patent Options: All Specs except Brazil, Chinese & Latin American Specs USA Built Machines S/N 0300087000 to S/N 0300150371 & China Built Machines S/N B300000100 to S/N B300000299	
	1001131269	1	All Specs except Brazil, Chinese & Latin American Specs USA Built Machines S/N 0300150371 to Present & China Built Machines S/N B300000299 to Present	
	1700584	1	Brazil Spec USA Built Machines S/N 0300087000 to S/N 0300151393 & China Built Machines S/N B300000100 to S/N B300000357	
	Not Required	0	Brazil Spec USA Built Machines S/N 0300151393 to Present & China Built Machines S/N B300000357 to Present	
	1700584	1	Chinese Spec USA Built Machines S/N 0300087000 to S/N 0300150371 & China Built Machines S/N B300000100 to S/N B300000299	
	Not Required	0	Chinese Spec USA Built Machines S/N 0300150371 to Present & China Built Machines S/N B300000299 to Present	
	1702573	1	Latin American Spec USA Built Machines S/N 0300087000 to S/N 0300150371 & China Built Machines S/N B300000100 to S/N B300000299	
	Not Required	0	Latin American Spec USA Built Machines S/N 0300150371 to Present & China Built Machines S/N B300000299 to Present	
	1001131269	A/R	Korean Specs (600A qty 0 / 600AJ qty1)	
63	1702784	1	Decal - Legend Options: USA Built Machines S/N 0300087000 to S/N 0300099061	
	1706931	1	USA Built Machines S/N 0300099061 to S/N 0300138649	
	1001108493	1	USA Built Machines S/N 0300138649 to Present	
	1001108493	1	China Built Machines S/N B300000100 to Present	
	1001108493	1	China Built Machines S/N B300000100 to Present	
64	1703808	1	Decal - Legend (MTB) Options: USA Built Machines S/N 0300087000 to S/N 0300099061	
	1706941	1	USA Built Machines S/N 0300099061 to Present	
	1706941	1	China Built Machines S/N B300000100 to Present	
	1703687	1	Decal - Direction Arrow (6-3/4in)	
66	1	Decal - Upright Level Over-Ride Options (USA Built Machines S/N 0300087746 to Present & China Built Machines S/N B300000100 to Present):		
	1702265	1	ANSI Export Specs	
	1703544	1	Brazil Specs	
	1703990	1	Canadian Spec	
	1001116861	1	Chinese (Simplified) Spec	
	1001116862	1	Chinese (Traditional) Spec	
	1702271	1	Japanese Specs	
	17023987	1	Japanese Specs	
	1702617	1	Latin American Spec	
67	1705351	1	Decal - Drive/Steer Instructions Options (USA Built Machines S/N 0300138649 to Present & China Built Machines S/N B300000100 to Present):	
	1705905	1	ANSI Export Specs	
	1705429	1	Brazil Specs	
	1705430	1	Canadian Spec	
	1705430	1	Chinese (Simplified) Spec	
	1001116863	1	Chinese (Traditional) Spec	

## SECTION 8 DECALS

**FIGURE 8-2. DECAL INSTALLATION (ANSI EXPORT SPEC) (CONTINUED)**

ITEM #	PART NUMBER	QTY.	DESCRIPTION	REV.
67 (cont'd)	1705426 1705427 1705910		Japanese Specs Korean Specs Latin American Spec	

**FIGURE 8-2. DECAL INSTALLATION (ANSI EXPORT SPEC) (CONTINUED)**

ITEM #	PART NUMBER	QTY.	DESCRIPTION	REV.



## SECTION 8 DECALS

**FIGURE 8-3. DECAL INSTALLATION (AUSTRALIAN & CE SPECS)**

ITEM #	PART NUMBER	QTY.	DESCRIPTION	REV.
		Ref.	<b>DECAL INSTALLATION</b>	
	0274094	Ref.	<b>Decals - JLG Logo</b>	2
	0273895	Ref.	<b>600A Australian Spec (USA Built Machines S/N 0300087000 to S/N 0300138476)</b>	7
	1001114388	Ref.	<b>600A Australian Spec (USA Built Machines S/N 0300138476 to Present)</b>	B
	1001114388	Ref.	<b>600A Australian Spec (China Built Machines S/N B300000100 to Present)</b>	2
	0273895	Ref.	<b>600A CE Spec</b>	7
	0273896	Ref.	<b>600A Australian Spec (USA Built Machines S/N 0300087000 to S/N 0300138476)</b>	7
	1001114389	Ref.	<b>600A Australian Spec (USA Built Machines S/N 0300138476 to Present)</b>	B
	1001114389	Ref.	<b>600A Australian Spec (China Built Machines S/N B300000100 to Present)</b>	B
	0273896	Ref.	<b>600AJ CE Spec</b>	7
1 to 2	Not Used			
3	1701502	1	Decal - High Oil Level (USA Built Machines S/N 0300087000 to S/N 0300134296)	
4	1701503	1	Decal - Low Oil Level (USA Built Machines S/N 0300087000 to S/N 0300134296)	
5	1701509	1	Decal - Manual	
6	1701529	6	Decal - Arrow	
7 to 9	Not Used			
10	1703811	4	Decal - Tie Down/Lift	
11	1703814	6	Decal - Tie Down	
12	1704277	4	Decal - Attach Lanyard Here	
13	1704412	1	Decal - Hydraulic Oil Chart	
14	1705084	1	Decal - Sound Power Level	
15 to 22	Not Required			
23	1706098	1	Decal - Warning Explosion/Fire Options (Not Shown - Located on fan shroud):	
24	Not Required	2	Decal - No Hands	
25	1705921	1	Decal - Tipping/Electrical Platform	
26	1705822	1	Decal - Electrical/Safety Manual	
27	1701518	10	Decal - Warning Crushing	
28	1705961	5	Decal - Danger Electrocutation	
29	1705828	1	Decal - Footswitch	
30		A/R	Decal - USA Options:	
	Not Required	0	Australian Spec	
	Not Required	0	CE Spec USA Built Machines S/N 0300087000 to S/N 0300150371 & China Built Machines S/N B300000100 to S/N B300000299	
	3251813	1	CE Spec USA Built Machines S/N 0300150371 to Present & China Built Machines S/N B300000299 to Present	
31 to 32	Not Used			
33	2902350	1	Max Tire Load Decal Kit (Includes Qty 4 of P/N 1703469)	1
	1703469	4	Decal - Max Tire Load	
34	See Note	1	Decal - Bar Code <b>(Note: Not Available for Purchase)</b>	



## SECTION 8 DECALS

**FIGURE 8-3. DECAL INSTALLATION (AUSTRALIAN & CE SPECS) (CONTINUED)**

ITEM #	PART NUMBER	QTY.	DESCRIPTION	REV.
35	1702818	2	Decal Options: Decal - 600A	
	1702819		Decal - 600AJ	
36	1705978	1	Decal - 230kg Capacity	
37	1705978	2	Decal - 230kg Capacity	
38	Not Used			
39	1704885	A/R	Decal - Website	
40	See Note	1	Nameplate, Manufacturer Serial Number ( <b>Note: Not Available for Purchase</b> )	
41	1702861	2	Decal - JLG Lift (8in Height)	
42	1702774	1	Decal - JLG Lift (3-1/2in Height)	
43	1702773	1	Decal - JLG (5in Height)	
44	1702860	1	Decal - JLG Lift (5in Height)	
45	3250872	1	Nameplate - Steer/Tow Selector	
46	1705090	1	Decal - Towing Instructions	
47	1701505	1	Decal - Fuel (Diesel)	
48 to 49	Not Used			
50	0100011	A/R	Compound, Locking	
51	0641406	4	Bolt 1/4in-20NC x 3/4in	
52	0641408	1	Bolt 1/4in-20NC x 1in	
53	0860520	1	Box, Manual Storage	
54	1060279	A/R	Cable, Lanyard	
55	3311405	A/R	Locknut 1/4in-20NC	
56	Not Used			
57	3820001	4	Rivet	
58	4751400	A/R	Flatwasher 1/4in Regular	
59	3250033	2	Plug (USA Built Machines S/N 030087000 to S/N 0300101241)	
60	Not Used			
61	4420051	22ft/6.7m	Decal - Warning Stripe	
62		A/R	Decal - Patent Australian Spec	
	1700584	1	600A & 600AJ - USA Built Machines S/N 0300087000 to S/N 0300150371 & China Built Machines S/N B300000100 to S/N B300000299	
	1001131269	1	600A - USA Built Machines S/N 0300150371 to Present & China Built Machines S/N B300000299 to Present	
	Not Required	0	600AJ - USA Built Machines S/N 0300150371 to Present & China Built Machines S/N B300000299 to Present	
	1700584	1	CE Spec 600A & 600AJ - USA Built Machines S/N 0300087000 to S/N 0300150371 & China Built Machines S/N B300000100 to S/N B300000299	
	Not Required	0	600A & 600AJ - USA Built Machines S/N 0300150371 to Present & China Built Machines S/N B300000299 to Present	
63 to 64	Not Used			
65	1703687	1	Decal - Direction Arrow (6-3/4in)	
66	1705977	1	Decal - Upright Level Over-Ride (USA Built Machines S/N 0300087746 to Present & China Built Machines S/N B300000100 to Present)	
67	Not Used			

## SECTION 8 DECALS

**FIGURE 8-3. DECAL INSTALLATION (AUSTRALIAN & CE SPECS) (CONTINUED)**

ITEM #	PART NUMBER	QTY.	DESCRIPTION	REV.
68	1001112551	1	Decal - Emergency Controls (Australian Spec Only) (USA Built Machines S/N 0300138476 to Present & Chinese Built Machines S/N B300000100 to Present)	
	2902303	1	----- Master Decal Kit (Includes Items 5-14)	6
	2902329	1	CE/Australian Decal Kit (Includes Items 25-29)	5

# SECTION 8 DECALS

FIGURE 8-3. DECAL INSTALLATION (AUSTRALIAN & CE SPECS) (CONTINUED)

ITEM #	PART NUMBER	QTY.	DESCRIPTION	REV.

## SECTION 9 RECOMMENDED SERVICE PARTS STOCK

### MODEL 600A/600AJ

The following list will service one machine (built to current production per date on the front cover) with emergency repair parts which can be installed in the field. Parts from the list should be replaced when inventory is depleted to keep service parts stock supplied. For further information, contact your JLG dealer or the JLG Industries Parts Department.

Part Number	Description	Qty./Machine
<b>STANDARD PARTS</b>		Ref.
7012944	Coil (Figure 2-1 & 2-2)	1
7012943	Coil (Figure 2-1)	1
2120210	Element Filter (Figure 2-1)	12
2120149	Element, Filter (Figure 2-1)	12
7012772	Coil (Figures 2-2 & 2-3)	1
70000582	Coil (Figure 2-2)	1
7012664	Element, Air Cleaner (Figures 2-10, 2-11, 2-12 & 2-14)	12
3740067	Relay (Figures 2-10, 2-11, 2-12 & 2-14)	1
7024444	Breather (Figure 2-17)	1
4360517	Switch, Proximity (Figure 2-19)	1
3740049	Relay (Figures 2-21 & 7-7)	1
4360328	Switch, Toggle (Figures 2-21 & 4-3)	1
2860030	Key, Replacement (Figure 2-21)	1
4360475	Switch, Mushroom (Figures 2-21 & 4-3)	1
4360476	Contact, Switch Block (Figures 2-21 & 4-3)	1
70002001	Power Track 1ft. Repair Section (Figure 3-5)	2
2940074	Latch (Figure 4-1)	1
4360331	Switch, Toggle (Figure 4-1)	1
4360330	Switch, Toggle (Figure 4-3)	1
4360387	Switch, Push Button (Figures 4-3 & 4-7)	1
1001118417	Controller (Figure 4-3)	1
1001118416	Controller (Figure 4-3)	1
2400065	Fuse, 30Amp (Figure 7-7)	2
<b>VARIABLE PARTS</b>		Ref.
7026830	Filter, Fuel (Machines with Caterpillar Engine) (Figure 2-10)	12
7026811	Filter, Oil (Machines with Caterpillar Engine) (Figure 2-10)	12
8320270	Filter, Fuel (Machines with Deutz Engine) (Figure 2-11)	12
7016331	Filter, Oil (Machines with Deutz Engine) (Figure 2-11)	12
7027795	Deutz EMR2 Control Module (Machines with Deutz Engine) (Figure 2-11)	1
91083218	Filter, Fuel (Machines with Ford Engine) (Figure 2-12)	12
7021868	Filter, Oil (Machines with Ford Engine) (Figure 2-12)	12
1600374	Ford Control Module (Machines with Ford Engine) (Figure 2-12)	1
Not Available	Filter, Fuel (Machines with GM Engine) (Figure 2-14)	12
Not Available	Filter, Oil (Machines with GM Engine) (Figure 2-14)	12
Not Available	GM Control Module (Machines with GM Engine) (Figure 2-14)	1
1001103667	Module, Ground Control (Machines with Caterpillar , Deutz & GM Engine) (Figure 2-21)	1
4360469	Switch, Key (ANSI & ANSI Export Specs) (Figure 2-21)	1
4360470	Switch, Key (Australian & CE Specs) (Figures 2-21)	1

## SECTION 9 RECOMMENDED SERVICE PARTS STOCK

### MODEL 600A/600AJ

The following list will service one machine (built to current production per date on the front cover) with emergency repair parts which can be installed in the field. Parts from the list should be replaced when inventory is depleted to keep service parts stock supplied. For further information, contact your JLG dealer or the JLG Industries Parts Department.

Part Number	Description	Qty./Machine
3740080	Relay, Bosch (Machine with Generator) (Figures 2-26, 2-27, 2-28, 2-29, 2-30, 2-31 & 2-32)	1
4360336	Switch, Toggle (Machine with Generator) (Figures 2-26, 2-27, 2-28, 2-29, 2-30, 2-31 & 2-32)	1
4360542	Breaker, Circuit - 110Volt (Machines with 2500W Generator) (Figures 2-26, 2-27, 2-28 & 2-29)	1
7000126	Breaker, Circuit - 220Volt (Machines with 2500W Generator) (Figures 2-26, 2-27, 2-28 & 2-29)	1
4360070	Breaker, Circuit (Machines with SkyPower 7500W Generator) (Figures 2-30, 2-31 & 2-32)	1
2400064	Fuse - 5 Amp (Machines with SkyPower 7500W Generator) (Figures 2-30, 2-31, 2-32 & 7-7)	1
70002011	Power Track 1ft. Repair Section (600A) (Figure 3-6)	2
70001999	Power Track 1ft. Repair Section (600AJ) (Figure 3-6)	2
4360578	Switch, Limit (Figure 3-8)	1
1001106355	Platform Control Module (Figure 4-3)	1
4360522	Switch, Push Button (Machine with Lights Option) (Figure 4-3)	1
4360336	Switch, Toggle (Machine with Ford & GM Engines) (Figure 4-3)	1
4360057	Switch, Limit (Machine with Soft Touch System Engines) (Figure 4-7)	1
4360232	Breaker, Circuit (Machine with Floodlights Option) (Figure 7-7)	1
2400070	Fuse (Machine with Worklights Engines) (Figure 7-7)	2

## SECTION 10 SPECIAL OPTIONS

**Note:** This list is to accommodate machines ordered with special equipment. Options may not be applicable to all models. For more specific parts information contact JLG Parts Department.

FIG&ITEM#	PART NUMBER	QTY.	DESCRIPTION	REV.
		Ref.	<b>MISCELLANEOUS SPECIAL OPTIONS</b>	
		Ref.	<b>Airline to Platform Installation Options:</b>	
	0256342	Ref.	1/2in - 600A	
	0271475	Ref.	1/2in Airline and (1) Welding Cable - 600A	
	0275295	Ref.	1/2in - 600A with Arctic Package	
	0258966	Ref.	1/2in - 600AJ	
	1001093438	Ref.	1/2in - 600AJ with Arctic Package	
		Ref.	<b>Boom Cable Installation with Communication System (600AJ Only)</b>	
	1001115974	Ref.	<b>Intercom System</b>	
	1001116515	Ref.	<b>Intercom System &amp; 7500W Generator</b>	
		Ref.	<b>Boom Wiper Installation</b>	
	0256276	Ref.	<b>600A</b>	
	0256366	Ref.	<b>600AJ</b>	
	0256789	Ref.	<b>Camera Mount Assembly</b>	
		Ref.	<b>ClearSky Telematics</b>	
		Ref.	<b>Note: Refer to Manual Supplement p/n 3128499 for available replacement parts.</b>	
		Ref.	<b>ADE Machines (Add-on Kit)</b>	
	1001104982	Ref.	<b>ANSI Spec</b>	
	1001104983	Ref.	<b>ANSI Export</b>	
	1001139130	Ref.	<b>Australian Specs</b>	
	1001104984	Ref.	<b>CSA Spec</b>	
		Ref.	<b>ADE/UGM Machines (Add-on Kit)</b>	
	1001119942	Ref.	<b>ANSI Spec</b>	
	1001121612	Ref.	<b>ANSI Export</b>	
	1001139148	Ref.	<b>Australian Spec</b>	
	Not Available	Ref.	<b>Brazil &amp; New Zealand Specs</b>	
	1001119948	Ref.	<b>CSA Spec</b>	
		Ref.	<b>ADE/UGM Machines (Factory Installed)</b>	
	1001112979	Ref.	<b>ANSI Spec</b>	
	1001112980	Ref.	<b>ANSI Export</b>	
	1001132728	Ref.	<b>Australian Spec</b>	
	1001127089	Ref.	<b>Brazil &amp; New Zealand Specs</b>	
	1001112981	Ref.	<b>CSA Spec</b>	
	0273575	Ref.	<b>Cold Weather Package - Caterpillar Engine</b>	
	0271912	Ref.	<b>Cold Weather Package with Glow Plugs - Deutz</b>	
	0255386	Ref.	<b>Cold Weather Package - Ford</b>	
	0275262	Ref.	<b>Cold Weather Package - GM</b>	
	0274883	Ref.	<b>Cold Weather Package Transformer</b>	

## SECTION 10 SPECIAL OPTIONS

**Note:** This list is to accommodate machines ordered with special equipment. Options may not be applicable to all models. For more specific parts information contact JLG Parts Department.

FIG&ITEM#	PART NUMBER	QTY.	DESCRIPTION	REV.
	1001115970	Ref.	<b>Communication System (David Clark) Installation (600AJ Only)</b>	
		Ref.	<b>Cylinder Bellows Installation (Boom)</b>	
	0255927	Ref.	<b>600A</b>	
	0255928	Ref.	<b>600AJ</b>	
		Ref.	<b>Cylinder Bellows Installation (Frame)</b>	
	0255483	Ref.	<b>2WD/2WS &amp; 4WD/2WS 8ft/2.4m Width Machines</b>	
	0255487	Ref.	<b>2WD/4WS &amp; 4WD/4WS 8ft/2.4m Width Machines</b>	
	0255489	Ref.	<b>2WD/4WS 7ft/2.1m Width Machines</b>	
		Ref.	<b>Decal Installations Options:</b>	
	1702788	1	Decal - Biodegradable Hydraulic Fluid (English Language)	
	1703479	1	Decal - Biodegradable Hydraulic Fluid (German Language)	
	1704174	1	Decal - Biodegradable (Synthetic) Hydraulic Fluid (English Language)	
	1704175	1	Decal - Biodegradable (Synthetic) Hydraulic Fluid (German Language)	
	1001116248	Ref.	Decal - ClearSky (ANSI Spec) (S/N 0300087000 to S/N 0300144693)	
	1001116249	Ref.	Decal - ClearSky (CSA Spec) (S/N 0300087000 to S/N 0300144693)	
	1001127095	Ref.	Decal - ClearSky (All Specs) (S/N 0300144693 to Present)	
	0253550	Ref.	Decal Installation - CSA	
	3252221	1	Nameplate - CSA	
	0273770	Ref.	Decal Installation - Fall Arrest	
	0257195	Ref.	Decals Installation - Government Warranty	
	0275840	Ref.	Decals Installation - Head & Engquist Equipment L.L.C. (H&E)	
	0273253	Ref.	Decals Installation - Hertz (S/N 0300087000 to S/N 0300147200)	
	1001128988	Ref.	Decals Installation - Hertz (S/N 0300147200 to Present)	
	1001143075	Ref.	Decals Installation - Hewitt Rental (ANSI Spec)	
	1001143510	Ref.	Decals Installation - Hewitt Rental (CSA Spec)	
	0256957	Ref.	Decal Installation - Lanyard Attach (GM K-1 Spec)	
	1001140623	Ref.	Decal Installation - Leavitt	
	1702720	Ref.	Decal - LP Gas Decal (Latin America)	
	0274182	Ref.	Decals Installation - Nations Rent	
	0274246	Ref.	Decals Installation - National Equipment Services (NES)	
	1702868	Ref.	Decal - No Hands - English Language (Platform With Mesh to Top Rail)	
	1705968	Ref.	Decal - No Hands - English/Simplified Chinese Dual Language (Platform With Mesh to Top Rail)	
	1001116846	Ref.	Decal - No Hands - English/Traditional Chinese Dual Language (Platform With Mesh to Top Rail)	
	1704000	Ref.	Decal - No Hands - English/French Dual Language (Platform With Mesh to Top Rail)	
	1705969	Ref.	Decal - No Hands - English/Korean Dual Language (Platform With Mesh to Top Rail)	

## SECTION 10 SPECIAL OPTIONS

**Note:** This list is to accommodate machines ordered with special equipment. Options may not be applicable to all models. For more specific parts information contact JLG Parts Department.

FIG&ITEM#	PART NUMBER	QTY.	DESCRIPTION	REV.
	Continued	Ref.	<b>Decal Installations Options:</b>	
	1705967	Ref.	Decal - No Hands - English/Portuguese Dual Language (Platform With Mesh to Top Rail)	
	1704001	Ref.	Decal - No Hands - English/Spanish Dual Language (Platform With Mesh to Top Rail)	
	0256487	Ref.	Decal Installation - Prop 65 Warning (Diesel Machines) (California Spec)	
	0256488	Ref.	Decal Installation - Prop 65 Warning (Gasoline Machines) (California Spec)	
	1001095384	Ref.	Decals Installation - RSC	
	0272599	Ref.	Decals Installation - SkyCutter (ANSI, ANSI Export, & CSA Specs)	
	0272607	Ref.	Decals Installation - SkyCutter (Australian, CE, Japanese & Latin American Specs)	
	0272418	Ref.	Decals Installation - SkyGlazier (ANSI, ANSI Export, Brazilian, CSA & Latin American Specs)	
	0272589	Ref.	Decals Installation - SkyPower	
	0272448	Ref.	Decals Installation - SkyWelder (ANSI, ANSI Export, & CSA Specs)	
	0272588	Ref.	Decals Installation - SkyWelder (Australian, CE, Japanese & Latin American Specs)	
	0271123	Ref.	Decals Installation - Sunbelt	
	0272312	Ref.	Decal Installation - Tire Sealant	
	1001151067	Ref.	Decal Installation - Titan Rental	
	0271895	Ref.	Decals Installation - United Rentals	
	1001098291	Ref.	Decals Installation - UPS	
	1001141471	Ref.	Decal Installation - Volvo	
	4932990	Ref.	<b>Drive Cutout Kit (Above Elevation Beyond Transport)</b>	
	4932993	Ref.	<b>Drive Cutout Kit (Above Elevation Tilt) (ANSI, ANSI Export, Australian Brazilian &amp; Japanese Specs Only)</b>	
		Ref.	<b>Electrical Connector Kits</b>	
	1001148902	Ref.	Amp/Tyco Electrical Connector Kit	
	1001148903	Ref.	Deutsch DT Electrical Connector Kit	
	1001148904	Ref.	Deutsch HD Electrical Connector Kit	
	1001148905	Ref.	Packard Electrical Connector Kit	
	1001148906	Ref.	Various Electrical Connectors Kit	
		Ref.	<b>Engine Block Heater Installations:</b>	
	2580055	Ref.	<b>Caterpillar Engine Machines</b>	
	0258696	Ref.	<b>Ford Engine Machines</b>	
	0275261	Ref.	<b>GM Engine Machines</b>	
	1001093389	Ref.	<b>Fan Cover Installation (ANSI, ANSI Export, CSA Specs Only)</b>	



## SECTION 10 SPECIAL OPTIONS

**Note:** This list is to accommodate machines ordered with special equipment. Options may not be applicable to all models. For more specific parts information contact JLG Parts Department.

FIG&ITEM#	PART NUMBER	QTY.	DESCRIPTION	REV.
		Ref.	<b>Filter Kits:</b>	
	Use 1001110991	1	<b>Combined Filter Kit (Hydraulic/Air &amp; Fuel/Engine Oil)</b>	
	1001110990		<b>Caterpillar Engine (was p/n 1001114123 &amp; p/n 1001114123)</b>	
	2910462		<b>Deutz Engine</b>	
	Use 1001114042		<b>Ford LRG-425 W/Carb Engine</b>	
	Use 1001114127		<b>Ford LRG-425 W/EFI Engine (was p/n 1001114041)</b>	
			<b>GM Engine (was p/n 1001114037)</b>	
		1	<b>Hydraulic/Air Filter</b>	
	Use 1001109684		<b>Caterpillar/Deutz Engine (was p/n 1001114132)</b>	
		1	<b>Fuel/Engine Oil Filter</b>	
	1001110137		<b>Caterpillar Engine</b>	
	1001110133		<b>Deutz Engine</b>	
	1001139099	Ref.	<b>Fire Extinguisher Installation</b>	
		Ref.	<b>Fluids</b>	
		Ref.	Coolant, Antifreeze (Caterpillar, GM & Perkins Engines)	
	2300004	Ref.	Machines without Arctic Package	
	2300041	Ref.	Machines with Arctic Package	
	3020017	Ref.	Lubricant (Spindle Assy)	
	2300040	Ref.	Diesel Fuel Conditioner	
		Ref.	Engine Oil	
	3020016	Ref.	Motor Oil Mobil Delvac MX 15W-40 (Machines Without Arctic Package)	
	3020044	Ref.	Motor Oil 0W-40 (Machines With Arctic Package) (Machines Without Arctic Package)	
	1001115930	Ref.	Motor Oil 10W-30 (Machines With GM Tier III Engines)	
	1001115931	Ref.	Motor Oil 5W-30 Synthetic (Machines With GM Tier III Engines) (Machines with Arctic Package)	
		Ref.	Hydraulic Fluids	
	2300014	Ref.	Mobil 424	
	2300027	Ref.	Mobil 224H Bio	
	2300029	Ref.	Mobil EAL ISO 46 Bio	
	2300016	Ref.	Mobil DTE 10 Excel 32	
	2300019	Ref.	Quaker State Quintolubric 888-46 Fire Resistant	
	2300039	Ref.	Exxon Univis HV126 (Arctic Package Only)	
		Ref.	<b>Flushing Loop Valve Installation (Requires Oil Cooler Installation)</b>	
	0275946	Ref.	<b>2WD</b>	
	0275941	Ref.	<b>4WD</b>	
	4060959	Ref.	<b>Footswitch Shield</b>	
	3380652	Ref.	<b>Footswitch Panel</b>	
	0271548	Ref.	<b>Glow Plug Installation (Deutz Engine Machines)</b>	

## SECTION 10 SPECIAL OPTIONS

**Note:** This list is to accommodate machines ordered with special equipment. Options may not be applicable to all models. For more specific parts information contact JLG Parts Department.

FIG&ITEM#	PART NUMBER	QTY.	DESCRIPTION	REV.
	2910100	Ref.	<b>Hose/Cable Chafe Kit</b>	
	1001094475	Ref.	<b>Hourmeter for Generator Installation</b>	
	1001148971	Ref.	<b>Lanyard (Bolt-On) Kit Installation</b>	
		Ref.	<b>Oil Cooler Installation (Requires Flushing Loop Options)</b>	
	0256765/1282665	Ref.	<b>Deutz Engine Machines S/N 87000 to S/N 136663</b>	
	1001108702	Ref.	<b>Deutz Engine Machines S/N 136663 to Present</b>	
	0256778/1283309	Ref.	<b>Ford Engine Machines</b>	
	0272062/1283309	Ref.	<b>GM Engine Machines</b>	
	0257728	Ref.	<b>Pipe Jacks Installation</b>	
		Ref.	<b>Platform Console Cover Installations</b>	
	0258703	Ref.	<b>Clear Polycarbonate (All Spec)</b>	
	1001110974	Ref.	<b>Steel (ANSI, French, Spanish, Portuguese, Japanese Specs)</b>	
	1001125229	Ref.	<b>Steel (Korean Spec)</b>	
	1001125230	Ref.	<b>Steel (Chinese Spec)</b>	
		Ref.	<b>Platform Entry Kit</b>	
	1001142504	Ref.	<b>Kit, Replace Swing Gate with Drop Bar</b>	
	1001142505	Ref.	<b>Kit, Replace Drop Bar with Swing Gate</b>	
		Ref.	<b>Platform Mesh Installations</b>	
	0273145	Ref.	<b>36in X 8ft (91.5cm x 2.44m)</b>	
	0273148	Ref.	<b>30in X 6ft (76cm x 1.83m)</b>	
	0273149	Ref.	<b>36in X 6ft (91.5cm x 1.83m)</b>	
	0273146	Ref.	<b>30in X 5ft (76cm x 1.52m)</b>	
	0273147	Ref.	<b>30in X 4ft (76cm x 1.22m)</b>	
	1001149730	Ref.	<b>Platform Mid Rail Repair Kit</b>	
		Ref.	<b>Platform, Top Rail Extension</b>	
	0272733	Ref.	<b>3'x6' Platforms</b>	
	0272725	Ref.	<b>3'x8' Platforms</b>	
		Ref.	<b>Platform Huck Fasteners Replacement Hardware</b>	
	0641614	A/R	Bolt 1/4"-20NC x 2"	
	3311405	A/R	Locknut 1/4"-20NC	
	4711400	A/R	Flatwasher 1/4"	
	3300151	A/R	Acorn Nut 1/4"-20NC	
	0274597	Ref.	<b>Rain Cap Installation</b>	

## SECTION 10 SPECIAL OPTIONS

**Note:** This list is to accommodate machines ordered with special equipment. Options may not be applicable to all models. For more specific parts information contact JLG Parts Department.

FIG&ITEM#	PART NUMBER	QTY.	DESCRIPTION	REV.
	1001099572	Ref.	<b>Security Lock (Programmable) Installation</b>	
		Ref.	<b>Sky Accessory:</b>	
			<b>Note: For Breakdown of Sky Accessories Refer to Accessory Manual p/n 3124242</b>	
	No Longer Available	Ref.	SkyCutter (ANSI, ANSI Export & CSA Specs) (Was p/n 0272590) (S/N 87000 to S/N 0300119221)	
	No Longer Available	Ref.	SkyCutter - Stick, 250A (CE, Australian, Japanese & Latin America Specs) (Was p/n 0272606)	
	1001098149	Ref.	SkyCutter (S/N 0300119221 to Present) (All Specs except CE & Australian Specs)	
	0273353	Ref.	Skycutter/Sky Welder Combo	
	1001101422	Ref.	SkyGlazier without Load Sensing (English Language Decals) (ANSI, CSA & Australian Specs)	
	1001102647	Ref.	SkyGlazier with Load Sensing (English Language Decals) (Australian Specs)	
	1001099421	Ref.	SkyGlazier (600A Only) (Spanish Language Decals) (Latin American Specs)	
	1001099422	Ref.	SkyGlazier (600A Only) (Portuguese Language Decals) (Brazilian Specs)	
	0272254	Ref.	SkyWelder - Stick, 250A (ANSI, ANSI Export & CSA Specs)	
	0272521	Ref.	SkyWelder - Stick, 250A (ANSI Export, Australian, CE, Japanese & Latin America Specs)	
		Ref.	<b>SkyGuard Component Options:</b>	
	1001149560	Ref.	SkyGuard Complete Add-On Kit (Non - UGM Machines)	
	1001143669	Ref.	SkyGuard Complete Add-On Kit (UGM Machines)	
	1001137672	Ref.	SkyGuard Platform Sensor Kit	
	1001143256	Ref.	SkyGuard Blue Beacon Kit	
		Ref.	<b>Strobe Light Installations (Amber)</b>	
	1001152965	Ref.	<b>Platform Mounted</b>	
	1001154231	Ref.	<b>Platform/Ground Mounted</b>	
	0272301	Ref.	<b>Tire Sealant Installation</b>	
		Ref.	<b>Tools for Service</b>	
	2901443	1	Analyzer Kit	
	7002840	1	Antirotation Pin Removal Tool	
	8896941	1	Wire Stripper	
	7002821	1	Wire Crimper (To install wire ends to wires)	
	7002823	1	Pin/Socket Extractor - Universal (To Remove Pins/Sockets from Connectors)	
	4460467	1	Extractor - 16-18 Gauge (For Removal of Pin/Sockets from Deutsch Connectors)	
	4460510	1	Extractor - 12-14 Gauge (For Removal of Pin/Sockets from Deutsch Connectors)	
	7002822	1	Screwdriver, Potentiometer (To Adjust Drive Controllers)	

## SECTION 10 SPECIAL OPTIONS

**Note:** This list is to accommodate machines ordered with special equipment. Options may not be applicable to all models. For more specific parts information contact JLG Parts Department.

FIG&ITEM#	PART NUMBER	QTY.	DESCRIPTION	REV.
	7016654	1	Screwdriver, Magnetic	
	7004275	1	Seal Installation Tool - 1"	
	7004276	1	Seal Installation Tool - 1 1/2"	
	7002826	1	Seal Installation Tool - 2"	
	7016655	1	Wire Rope Sheave Gauge	
	7016652	1	Huck Bolt Fastener (For Small Huck Bolts Only)	
	2900838	1	U.S. Standards Fastener (Hardware) Kit	
	7014676	1	U.S. Standards Tool Kit	
	1001137005	1	Software Cable Kit	
	0272350	Ref.	<b>Tool (Hydraulic) Circuit Installation</b>	
	0257728	Ref.	<b>Tube Rack Installation</b>	
	0258918	Ref.	<b>Utility Rack Installation</b>	
	0256344	Ref.	<b>Weld Leads Installation - 600A</b>	
	0272772	Ref.	<b>Weld Leads Installation - 600AJ (1 Cable)</b>	

## SECTION 10 SPECIAL OPTIONS

**Note:** This list is to accommodate machines ordered with special equipment. Options may not be applicable to all models. For more specific parts information contact JLG Parts Department.

FIG&ITEM#	PART NUMBER	QTY.	DESCRIPTION	REV.

# SECTION 11 PARTS NUMBER INDEX

Part Number	Page	Part Number	Page	Part Number	Page	Part Number	Page
0060066	.....3-8, 3-19, 3-33	0100079	..... 2-85	0272589	..... 2-141	0274220	..... 1-10, 1-33
0060068	.....3-3, 3-13, 3-33	0100081	..... 3-24, 3-28, 4-11	0272618	..... 2-137, 7-47	0274229	..... 1-30
0080163	..... 2-52	0140001	..... 2-4	0272619	..... 2-137, 7-47	0274234	..... 1-3, 1-9
0080181	..... 2-28, 2-38	0140011	..... 4-11	0272624	..... 7-33, 7-55	0274235	..... 1-33
0080201	..... 2-59, 2-66, 2-74	0140032	... 2-105, 7-42, 7-62	0272625	3-10, 3-20, 7-33, 7-55	0274256	..... 1-3
0080214	..... 2-59	0181727	2-28, 2-46, 2-58, 2-64			0274257	..... 1-5, 1-33
0080241	..... 2-105			0272626	..... 7-33, 7-55	0274299	..... 2-46
0080243	..... 2-28, 2-38	0181949	..... 2-86	0272627	... 3-10, 7-33, 7-55	0274309	..... 2-3, 3-35
0100009	..... 4-11	0200048	..... 4-27	0272970	..... 4-5, 4-13	0274310	..... 2-3, 3-35
0100011	1-3, 1-4, 1-5, 1-9, 1-10, 1-13, 1-15, 1-33, 1-34, 2-4, 2-13, 2-28, 2-31, 2-38, 2-39, 2-40, 2-41, 2-46, 2-48, 2-49, 2-58, 2-59, 2-64, 2-65, 2-66, 2-72, 2-73, 2-74, 2-85, 2-89, 2-93, 2-97, 2-101, 2-103, 2-105, 2-106, 2-112, 2-113, 2-116, 2-118, 2-119, 2-122, 2-126, 2-129, 2-133, 2-137, 2-145, 2-149, 3-3, 3-4, 3-9, 3-10, 3-13, 3-14, 3-18, 3-19, 3-20, 3-23, 3-24, 3-27, 3-28, 3-35, 4-4, 4-27, 5-5, 5-9, 5-11, 5-13, 5-15, 5-17, 5-23, 5-25, 5-27, 6-13, 6-19, 8-4, 8-12, 8-18	0200742	..... 2-126	0273048	..... 1-15, 1-29	0274311	..... 2-3, 3-35
		0200819	..... 2-122	0273049	..... 1-15, 1-29	0274312	..... 2-3, 3-35
		0254798	..... 2-14	0273052	..... 2-89	0274322	..... 1-15
		0255281	..... 3-28	0273109	..... 2-145, 7-47	0274348	..... 1-30
		0255288	..... 3-28	0273161	..... 2-89	0274349	..... 1-30
		0255382	..... 7-43, 7-63	0273366	..... 1-15, 1-29	0274441	..... 1-15, 1-29
		0255409	..... 2-85	0273427	..... 7-33, 7-55	0274491	..... 2-28
		0255410	..... 2-14	0273428	3-10, 3-20, 7-33, 7-55	0274521	..... 2-58
		0255423	..... 3-3, 3-9, 3-24			0274525	..... 2-30
		0255438	..... 3-35	0273429	..... 7-33, 7-55	0274533	..... 1-15
		0255444	..... 2-14	0273430	3-10, 3-20, 7-33, 7-55	0274618	..... 7-43, 7-63
		0255524	..... 2-86			0274620	..... 2-116
		0255699	..... 3-35	0273492	..... 4-5, 7-2	0274687	..... 1-33
		0255880	..... 2-109	0273507	..... 2-129	0274801	..... 1-4, 1-33
		0255917	..... 2-105	0273511	..... 2-129	0274922	..... 1-3
		0256202	..... 7-43, 7-63	0273542	..... 4-25	0275023	..... 2-116
		0256331	..... 3-36	0273576	..... 2-137, 7-47	0275039	..... 2-133
		0256336	..... 3-36	0273577	..... 2-137, 7-47	0275140	3-10, 3-20, 7-33, 7-55
		0256631	..... 4-14	0273706	..... 4-15, 4-27		
		0256632	..... 4-14	0273824	..... 4-15, 4-27	0275142	..... 2-46
		0256633	..... 4-14	0273891	..... 8-3, 8-7	0275216	..... 7-47, 7-67
		0256690	..... 2-49	0273892	..... 8-3, 8-7	0275217	..... 7-47, 7-67
		0256765	..... 6-20	0273893	..... 8-7	0275218	..... 7-47, 7-67
		0256778	..... 6-20	0273894	..... 8-7	0275219	..... 7-47, 7-67
		0256821	..... 2-112	0273895	..... 8-17	0275229	..... 2-64
		0256822	..... 2-113, 2-119	0273896	..... 8-17	0275256	..... 2-28
		0256847	..... 2-52	0273899	..... 8-7	0275257	... 2-149, 7-47, 7-68
		0257176	..... 7-43, 7-63	0273900	..... 8-7	0275264	..... 2-30
		0257573	..... 3-24, 3-25	0273901	..... 8-7	0275265	..... 7-33, 7-55
0100019	2-14, 2-30, 2-129, 2-139, 2-145, 2-149	0257887	... 2-105, 7-42, 7-62	0273902	..... 8-7	0275452	..... 7-47, 7-67
		0258945	..... 4-4	0273903	..... 8-7	0275453	..... 7-47, 7-67
		0270329	..... 2-13	0273904	..... 8-7	0275454	..... 7-47, 7-67
0100020	2-28, 2-31, 2-39, 2-41, 2-46, 2-49, 2-58, 2-59, 2-64, 2-66, 2-72, 2-75, 2-86, 4-13	0270395	..... 2-85	0273940	..... 1-10	0275651	..... 7-43, 7-64
		0270528	..... 1-33, 1-34	0273954	..... 1-3, 1-9	0275652	..... 7-43, 7-64
		0270805	..... 2-105	0273959	..... 1-3, 1-9	0275653	..... 7-43, 7-63
		0270818	..... 7-33, 7-55	0274047	..... 1-3	0275654	..... 7-43, 7-64
		0270819	..... 7-33, 7-55	0274054	..... 1-3	0275655	..... 7-43, 7-64
0100035	..... 3-35, 3-36, 4-11	0270820	3-10, 3-20, 7-33, 7-55	0274062	..... 1-5, 1-13	0275656	..... 7-43, 7-64
0100038	1-9, 5-5, 5-9, 5-11, 5-13, 5-15, 5-17, 5-23, 5-25, 5-27, 6-13, 6-19			0274081	..... 2-121	0275660	..... 7-43, 7-64
		0270821	..... 3-10, 7-33, 7-55	0274082	..... 2-125	0280167	..... 1-3, 1-9
		0270833	..... 2-105	0274086	..... 2-125	0280171	..... 1-3
		0271552	..... 2-105, 4-14	0274087	..... 2-121	0280183	..... 1-3, 1-9
0100048	2-46, 2-58, 2-64, 2-72, 2-97, 2-101, 2-105, 4-11, 7-32, 7-36, 7-54, 7-57	0271941	..... 4-4	0274090	..... 2-125	0280185	..... 1-3
		0272070	..... 3-4, 3-10	0274091	..... 2-121	0280209	..... 1-3
		0272135	..... 3-8	0274094	..... 8-3, 8-7, 8-17	0340041	2-28, 2-38, 2-49, 2-59, 2-66, 2-74
		0272326	..... 3-3	0274121	..... 1-10, 1-13		
		0272427	..... 4-15, 4-27	0274132	..... 1-4	0340046	..... 2-28, 2-38, 2-59
0100062	..... 2-86, 2-140	0272433	..... 7-43, 7-63	0274180	..... 4-6	0362519	..... 2-87
0100063	1-5, 1-10, 1-13, 5-9, 5-15, 5-18	0272435	2-141, 2-147, 2-151	0274200	..... 2-106, 4-14	0362529	..... 3-35, 3-36
		0272507	... 2-105, 7-42, 7-62	0274204	..... 2-112	0362611	..... 3-36

# SECTION 11 PARTS NUMBER INDEX

Part Number	Page	Part Number	Page	Part Number	Page	Part Number	Page
0362910	1-34	0641407	2-28, 2-31, 2-38, 2-40, 2-47, 2-49, 2-59, 2-66, 2-73, 2-102, 2-112, 2-116, 7-45, 7-66	0641610	2-28, 2-32, 2-38, 2-40, 2-46, 2-50, 2-52, 2-59, 2-66, 2-74, 2-122, 2-126, 3-23, 3-27, 4-4	0700408	7-45, 7-66
0363012	1-29	0641408	2-58, 2-59, 4-4, 8-4, 8-12, 8-18	0641611	1-29, 2-129, 2-145, 3-9, 3-19	0700616	2-41
0363082	2-129	0641409	2-47	0641612	2-59, 2-66, 2-74, 2-89, 2-93, 2-113, 2-129, 2-145	0700620	2-41
0363097	2-129, 2-145	0641410	2-58	0641613	2-4	0700808	2-28, 2-38, 2-41, 2-50
0363201	2-145	0641414	2-4, 2-59, 4-5, 4-11, 4-27	0641614	2-85, 3-9	0700810	2-52, 2-66, 2-74
0363202	2-145	0641416	2-4, 2-64, 2-72, 3-10, 3-21, 7-45, 7-66	0641618	1-29, 2-140, 3-9, 3-19, 3-23, 3-24, 3-27	0700815	2-139
0370026	5-3	0641418	4-4	0641640	3-28	0700816	2-122
0370035	5-9	0641424	3-35	0641708	2-145	0700819	2-59
0400075	2-28, 2-38, 2-46, 2-58, 2-64, 2-72	0641504	2-58	0641710	2-133	0700820	2-133, 2-149
0440018	1-5	0641505	2-64, 2-72, 2-138, 2-145, 2-149	0641718	2-129	0701010	2-28, 2-38, 2-41
0440019	1-5	0641506	2-64, 2-72, 2-97, 2-102	0641772	2-122, 2-126	0701012	2-28, 2-38, 2-50, 2-59
0440161	1-5	0641507	2-28, 2-31, 2-38, 2-39, 2-46, 2-59	0641808	2-28, 2-31, 2-38, 2-40, 2-46, 2-58, 2-65, 2-66, 2-72, 2-73, 2-139, 2-140, 2-149	0701014	2-51, 2-59
0440170	1-4	0641508	2-123, 2-126, 2-129	0641810	2-129, 2-145, 3-3, 3-9, 3-13, 3-18, 3-23	0701015	2-28, 2-38, 2-50, 2-51, 2-129, 2-145
0440171	1-4	0641510	2-50, 2-133	0641811	2-89, 2-93	0701016	2-133, 2-145, 2-149
0440207	2-14	0641514	2-4, 2-133	0641812	2-32, 2-40, 2-49, 2-59, 2-66, 2-73, 2-109, 3-4, 3-10, 3-14, 3-20	0701214	2-28
0480120	2-122	0641516	1-33, 2-137, 2-145, 2-149, 3-24, 4-25	0641813	4-25	0701414	2-28, 2-38
0480121	2-122, 2-126	0641518	4-6	0641814	1-3, 1-9	0711025	2-52
0480125	2-139	0641522	3-28	0641816	1-3	0711214	2-28, 2-30, 2-38
0480126	2-139	0641532	1-29, 3-4, 3-9, 3-14, 3-20	0641818	1-3, 1-9, 2-50, 2-86	0711414	2-50
0480129	2-139	0641536	3-28	0641820	2-28, 2-38, 2-89, 2-93	0721003	1-4
0480130	2-145	0641540	3-28	0641826	2-50, 2-66, 2-74	0721004	1-34
0480135	2-129	0641552	1-29	0641828	2-59, 2-66, 2-74	0721005	4-27
0480142	2-133, 2-149	0641604	3-9, 3-20, 5-25	0642010	1-34, 2-31, 2-40, 2-46, 2-58, 2-64, 2-72	0721006	2-30, 2-112, 2-116, 2-123, 2-126, 4-13
0561076	3-3, 3-9, 3-23	0641605	3-28	0642012	1-3, 1-4, 1-9, 1-10, 1-13	0721008	2-113, 4-13
0561185	3-23, 3-27	0641606	2-31, 2-38, 2-50, 2-60, 2-66, 2-74, 2-86, 2-112, 2-113, 2-117, 2-118, 2-119, 3-9, 3-19, 3-23, 3-24, 3-27, 3-28	0642018	2-13	0731005	4-27
0561237	3-10, 3-21	0641607	3-3, 3-9, 3-13, 3-14, 3-18, 3-19, 3-23, 3-24, 3-27	0642612	2-105, 2-106	0741605	3-9, 3-19
0561248	3-23	0641608	1-4, 1-5, 1-10, 1-13, 1-30, 1-33, 2-4, 2-28, 2-31, 2-38, 2-40, 2-41, 2-48, 2-58, 2-59, 2-64, 2-66, 2-72, 2-74, 2-112, 2-116, 2-145, 3-23, 3-27	0651406	2-4	0741606	2-129, 2-145, 3-14
0630427	3-35	0641609	2-28, 2-38, 2-52, 2-66, 2-74, 2-109, 3-19, 3-23	0681608	1-5, 3-4, 3-10, 3-14, 3-20	0741607	1-33, 1-34, 3-9
0630462	4-27			0681810	1-15	0741608	2-129, 2-145
0630464	4-11			0681814	4-9	0760606	2-41, 2-59
0630490	1-5			0681822	4-9	0760610	2-41
0630491	2-105			0681836	2-13	0761210	2-41, 2-123
0630498	2-28, 2-46, 2-58, 2-64			0681836	2-13	0771212	2-30, 2-38
0630507	2-112, 2-116			0682016	1-15, 2-14	0771415	2-140
0630518	2-97, 2-101			0682020	1-4	0801019	3-3, 3-8, 3-23
0630534	5-6, 5-11, 5-17					0801021	3-23
0630535	5-6, 5-13, 5-17, 5-25, 5-27					0801022	3-3, 3-27
0630536	5-9, 5-15					0801023	3-27
0630548	2-97, 2-101					0801025	3-8, 3-27
0630568	4-14					0801026	3-27
0641403	2-139, 3-3, 3-9, 3-14, 3-20, 3-24, 3-35, 3-36					0801027	3-27
0641404	1-5, 2-112, 2-127, 2-139, 4-11					0801085	3-23
0641405	2-112, 2-116, 2-129, 2-133, 2-139, 2-145, 2-149, 7-45, 7-66					0801228	3-27
0641406	2-28, 2-38, 2-59, 2-66, 2-74, 2-103, 2-105, 2-139, 4-4, 8-4, 8-12, 8-18					0801613	3-27

# SECTION 11 PARTS NUMBER INDEX

Part Number	Page	Part Number	Page	Part Number	Page	Part Number	Page
0860520	.....8-4, 8-12, 8-18	0961845	..... 4-4	1001094103	.....2-48	1001102165	..... 6-20
0861407	.....2-97	0961890	..... 5-21	1001094321	.....2-51	1001102547	..... 2-121
0861517	.....4-4, 4-11	0961893	..... 5-5, 5-11, 5-17	1001094521	.....2-51	1001102548	..... 2-121
0861537	.....4-11, 4-14	0961894	..... 5-5, 5-17	1001094828	.....2-13	1001102599	..... 2-98, 2-101
0861538	2-140, 2-145, 2-149	0961896	..... 5-25, 5-27	1001095359	.....2-14	1001102600	..... 2-98, 2-101
0861541	2-140, 2-147, 2-151	0961897	..... 5-13	1001096070	.....7-46, 7-66	1001102644	..... 2-123
0861542	.....2-138, 2-140, 2-145, 2-147, 2-149, 2-151, 7-48, 7-68	0961898	..... 5-9	1001097150	..... 7-46	1001102913	..... 2-118
0861567	2-138, 2-140, 7-48, 7-68	0961899	..... 5-15	1001097242	1-4, 1-10, 5-23	1001102914	..... 2-118
0861572	.....2-140	0961947	3-9, 3-19, 5-5, 5-17	1001097553	.....2-41	1001103667	..... 2-101, 9-1
0861689	.....2-97, 7-35	0961948	3-3, 3-9, 3-14, 3-19, 3-27, 5-13	1001097554	.....2-32	1001104308	..... 2-51
0861690	.....2-97, 7-35	0961949	3-3, 3-9, 3-13, 3-18, 3-23, 5-9, 5-15	1001097822	3-3, 3-8, 3-13, 3-18	1001104423	..... 6-13, 6-19
0861691	.....2-97, 7-35	0961950	..... 1-3, 1-9	1001097958	....2-117, 2-118	1001105833	..... 2-29, 2-39
0861692	.....2-97, 7-35	0961951	3-3, 3-9, 3-13, 3-19, 3-27, 5-5, 5-17	1001097959	....2-117, 2-118	1001105872	..... 2-68, 2-75
0861700	.....2-97, 7-35	0961977	..... 5-21	1001098211	.....2-50, 2-52	1001105993	..... 2-28
0861701	.....2-97, 7-35	0961986	2-28, 2-38, 2-50, 2-59, 2-67, 2-74	1001098266	.....2-46	1001106338	..... 2-28
0861702	.....2-97, 7-35	0962005	1-4, 1-5, 1-10, 1-13	1001098474	.....2-46	1001106339	..... 7-60
0861703	.....2-97, 7-35	0962051	..... 2-109	1001098475	.....2-48	1001106340	..... 7-60
0861704	.....2-97, 7-35	0962131	..... 1-4, 1-10, 1-13	1001098476	.....2-49	1001106355	..... 4-11, 9-2
0861705	.....2-97, 7-35	0962270	..... 4-9	1001098476	.....2-49	1001106480	..... 3-35, 3-36
0861731	.....7-44, 7-64	0962272	..... 1-5	1001098503	..... 1-29, 1-30	1001106736	..... 2-102, 7-58
0861781	.....7-44, 7-64	0962292	..... 1-33	1001098916	.....2-52	1001106758	..... 3-29
0861782	.....7-44, 7-64	0962335	..... 3-9, 3-19	1001099391	.....2-3	1001106759	..... 3-29
0861786	.....2-97, 7-35	0962336	..... 5-11	1001099835	..... 3-24	1001106974	..... 2-93
0861787	.....2-97, 7-35	0962348	..... 1-33	1001099836	..... 3-29	1001106975	..... 2-93
0861880	.....7-46, 7-66	0962356	..... 5-23	1001099868	.....2-125	1001107116	..... 2-29, 2-38
0902206	.....2-105, 2-106	0962449	..... 2-123, 2-127	1001099869	....2-123, 2-127	1001107153	..... 3-29
0902219	.....2-112, 2-116	0962520	2-140, 2-145, 2-149	1001100120	..... 1-29	1001107238	..... 2-30
0902242	.....2-112, 2-116	0962521	..... 2-145, 2-149	1001100233	....2-123, 2-127	1001107239	..... 2-30
0902335	.....2-113, 2-116	0962563	..... 2-123	1001100234	....2-123, 2-127	1001107498	..... 2-93
0902539	..... 2-61	10001110500	..... 3-24	100110027	.....7-2, 7-42	1001107499	..... 2-93
0902751	..... 4-11	10001110501	..... 3-24	1001100305	..... 7-42	1001107527	..... 4-12
0902888	2-139, 2-146, 2-149	10001115080	..... 3-24	1001100308	.....2-125	1001107677	..... 4-12
0902910	..... 2-32	10001115081	..... 3-25	1001100313	..... 2-29, 2-32	1001107705	..... 2-29, 2-39
0902952	..... 2-129	1001091179	..... 2-50	1001100321	2-121, 2-125, 2-129, 2-133	1001107753	4-12, 7-32, 7-54
0903010	..... 2-61	1001091514	..... 2-85	1001100341	.....7-47, 7-67	1001107926	..... 4-14
0903056	.....2-89, 2-93	1001091561	..... 2-85	1001100342	.....7-47, 7-67	1001107927	..... 4-14
0903079	..... 2-59	1001091587	..... 2-64, 2-72	1001100343	.. 7-44, 7-47, 7-64, 7-65, 7-67	1001108256	..... 4-15, 4-27
0903119	..... 2-106	1001091603	..... 2-66	1001100344	.. 7-44, 7-47, 7-64, 7-65, 7-67	1001108493	..... 8-4, 8-13
0903220	..... 2-33	1001091604	..... 2-64	1001100345	.....7-47, 7-67	1001108702	..... 6-20
0903484	..... 7-46, 7-66	1001091604	..... 2-64	1001100346	.....7-47, 7-67	1001108735	..... 4-4, 4-11
0903490	..... 2-66, 2-74	1001091605	..... 2-65	1001100347	.....7-47, 7-67	1001108736	..... 4-4
0903612	..... 7-46, 7-66	1001091768	..... 2-67	1001100349	.....7-47, 7-67	1001108763	..... 4-14
0920119	..... 2-13	1001091793	..... 2-67, 2-75	1001100377	.....7-47, 7-67	1001108764	..... 4-14
0940049	.....2-113, 2-116	1001091892	2-50, 2-67, 2-75	1001100397	..... 7-43, 7-64	1001108923	..... 8-4, 8-12
0940070	2-28, 2-38, 2-50, 2-60, 2-66, 2-74	1001093248	..... 2-68, 2-75	1001100398	..... 7-43, 7-64	1001109064	..... 2-41, 2-42
0940071	.....2-112, 2-116	1001093382	... 2-28, 2-39, 2-46, 2-64, 2-72	1001100399	..... 7-44, 7-64	1001109065	..... 2-38
0940088	.....2-116	1001093410	2-66, 2-73, 2-80	1001100400	..... 7-44, 7-64	1001109066	..... 2-40
0940092	..... 4-25, 4-27	1001093432	... 3-10, 3-20, 7-33, 7-55	1001100401	..... 7-44, 7-64	1001109067	..... 2-39
0940094	..... 4-25, 4-27	1001093433	..... 7-34	1001100402	..... 7-44, 7-64	1001109475	..... 7-46, 7-66
0940103	..... 4-27	1001093436	..... 7-33, 7-55	1001100403	..... 7-44, 7-64	1001109477	..... 7-46, 7-66
0940131	..... 4-25	1001093448	..... 7-34	1001101061	..... 2-13, 2-24	1001109482	..... 7-46, 7-66
0940133	..... 4-27	1001093549	..... 6-11, 6-15	1001101191	..... 7-46, 7-66	1001109554	..... 7-46, 7-66
0940134	..... 4-27	1001093943	..... 2-51	1001101820	..... 2-64	1001109595	..... 2-39
0940177	..... 4-27	1001094102	..... 2-49	1001101821	..... 2-65	1001109762	..... 2-29
				1001101822	..... 2-66	1001109762	..... 2-29
				1001101823	..... 2-67	1001110169	..... 2-13, 2-21
				1001101945	..... 2-118	1001110200	..... 2-40
				1001101947	..... 2-118	1001110208	..... 2-39
						1001110345	..... 7-3



# SECTION 11 PARTS NUMBER INDEX

Part Number	Page	Part Number	Page	Part Number	Page	Part Number	Page
1001110359	.2-102, 7-57, 7-58	1001113656	1-10	1001113894	6-7	1001115413	2-121
1001110361	.2-102, 7-57, 7-58	1001113715	1-10	1001113896	6-16	1001115414	2-121
1001110362	.2-102, 7-57, 7-58	1001113778	3-13	1001113897	6-6	1001115552	3-13
1001110367	2-101, 7-57	1001113786	6-18	1001113901	6-18	1001115553	3-13, 3-23
1001110368	2-101, 7-57	1001113789	6-9, 6-17	1001113902	6-18	1001115554	3-13, 3-27
1001110369	2-101, 7-57	1001113791	6-17	1001113903	6-7	1001115555	3-13
1001110370	2-101, 7-57	1001113792	6-17	1001113904	6-7	1001115889	2-103
1001110371	2-101, 7-57	1001113793	6-6	1001113909	6-15	1001115915	2-103
1001110372	2-101, 7-57	1001113795	6-19	1001113910	6-15	1001115918	2-103
1001110373	2-101, 7-57	1001113796	6-17	1001113911	6-16	1001115930	2-74
1001110374	2-101, 7-57	1001113799	6-16	1001113912	6-16	1001115931	2-74
1001110375	2-101, 7-57	1001113802	6-16	1001113913	6-9	1001115967	2-103
1001110376	2-101, 7-57	1001113803	6-19	1001113914	6-9	1001115974	7-55
1001110379	.2-102, 7-57, 7-59	1001113805	6-5	1001113961	4-21	1001116131	2-75
1001110380	7-3, 7-57	1001113806	6-17	1001114071	6-20	1001116183	2-75
1001110381	7-3, 7-57	1001113809	6-6	1001114076	6-15, 6-20	1001116200	2-75
1001110382	7-3, 7-57	1001113810	6-18	1001114077	6-15, 6-20	1001116240	2-31, 2-47, 7-40, 7-60
1001110434	4-12	1001113815	6-17	1001114078	6-5, 6-20	1001116241	2-31, 2-47, 7-40
1001110872	.2-138, 7-45, 7-48, 7-65, 7-68	1001113816	6-17	1001114079	6-9, 6-20	1001116340	2-85
1001110873	.2-137, 7-44, 7-48, 7-65, 7-68	1001113817	6-16	1001114335	4-3	1001116515	7-55
1001111021	2-101	1001113818	6-6	1001114341	4-3	1001116595	2-42
1001111514	2-85	1001113819	6-19	1001114388	8-17	1001116840	8-7
1001112057	2-41	1001113820	6-6	1001114389	8-17	1001116841	8-7
1001112059	2-41	1001113824	6-16	1001114391	4-3	1001116842	8-7
1001112067	2-41	1001113825	6-17	1001114446	4-4	1001116843	8-7
1001112068	2-41	1001113827	6-18	1001114448	4-4, 4-11	1001116844	8-7
1001112069	2-41	1001113835	6-6	1001114557	3-18	1001116845	8-8
1001112070	2-42	1001113836	6-6, 6-16	1001114600	2-75	1001116846	8-8
1001112071	2-42, 7-61	1001113837	6-17	1001114601	2-74	1001116847	8-8
1001112072	2-42	1001113840	6-18	1001114639	2-73	1001116848	8-9
1001112073	2-42	1001113841	6-19	1001114640	2-72	1001116849	8-9
1001112075	2-42	1001113842	6-19	1001114641	2-73	1001116850	8-9
1001112077	2-39, 2-41	1001113843	6-18	1001114642	2-72	1001116851	8-9
1001112551	8-19	1001113844	6-18	1001114872	2-150	1001116852	8-9
1001112570	2-42	1001113845	6-18	1001114873	2-150	1001116853	8-11
1001112586	2-141, 7-2, 7-69	1001113846	6-18	1001114875	3-29	1001116854	8-10
1001112587	2-141, 7-69	1001113847	6-17	1001115054	3-29	1001116855	8-10
1001112588	7-2, 7-62	1001113848	6-17	1001115063	3-30	1001116857	8-11
1001112589	7-63	1001113849	6-18	1001115098	3-14, 3-20	1001116858	8-10
1001112592	2-42	1001113850	6-15	1001115217	3-14, 3-20, 3-24	1001116860	8-11
1001112612	7-60	1001113851	6-16	1001115218	3-28	1001116861	8-13
1001112743	7-2, 7-62	1001113852	6-17	1001115253	3-30	1001116862	8-13
1001112763	2-41, 7-60	1001113853	6-18	1001115283	3-28	1001116863	8-13
1001112849	2-42	1001113855	6-15	1001115334	3-18, 3-23	1001117039	2-117
1001113386	3-19	1001113862	6-5	1001115335	3-18	1001117044	2-116, 2-117
10011133908	6-15	1001113864	6-5	1001115336	3-18, 3-19	1001117139	2-117, 2-118
1001113407	3-19	1001113866	6-5	1001115337	3-19, 3-27	1001117140	2-118
1001113423	3-20	1001113868	6-6	1001115338	3-19	1001117172	4-5, 4-13
1001113465	3-15, 3-20	1001113868	6-6	1001115339	3-18	1001117174	4-5, 4-13
1001113537	1-9	1001113878	6-6	1001115391	2-137, 7-68	1001117320	4-5, 4-13
1001113539	1-9	1001113879	6-9	1001115392	2-137, 7-68	1001117799	2-49, 2-80
1001113654	1-10	1001113881	6-5	1001115401	2-137, 7-68	1001118133	2-86
1001113655	1-10	1001113882	6-5	1001115402	2-137, 7-68	1001118416	4-11, 4-21, 4-22, 9-1
		1001113883	6-6	1001115404	2-121	1001118417	4-11, 4-17, 9-1
		1001113884	6-6	1001115405	2-125	1001118599	2-139
		1001113885	6-15	1001115406	2-125	1001119561	4-13
		1001113886	6-15	1001115407	2-125	1001121244	1-10
		1001113887	6-15	1001115409	2-125		
		1001113889	6-15	1001115410	2-125		
		1001113890	6-6				

## SECTION 11 PARTS NUMBER INDEX

Part Number	Page	Part Number	Page	Part Number	Page	Part Number	Page
1001121340	2-141, 2-142, 2-151, 2-152	1001138432	4-4	1060625	2-32, 2-40, 2-48, 2-65, 2-73	1321700	3-10, 3-21
1001121592	4-28	1001138434	4-4	1060626	2-30, 2-41, 2-48, 2-65, 2-73	1340060	2-28, 2-38, 2-50, 2-59, 2-67, 2-74
1001121593	4-28	1001138494	4-4	1060633	7-50, 7-70	1380147	2-109
1001121655	8-10, 8-11	1001138514	4-4	1060637	2-28, 2-38, 2-46, 2-58, 2-66, 2-73	1580011	2-28, 2-38, 2-61, 2-67, 2-74
1001121656	8-12	1001138757	8-7	1060708	2-141, 2-147, 2-151, 7-48, 7-68	1580012	4-6
1001121657	4-14	1001138758	8-7	1060896	7-33, 7-34, 7-55, 7-56	1580013	4-6
1001121800	8-4	1001138792	3-9	1060903	4-27	16000318	4-22
1001121801	8-4	1001138795	5-11	1060904	2-31, 2-52, 7-40, 7-41	1600244	7-50, 7-70
1001121802	8-11	1001138796	5-6, 5-18	1060908	7-46, 7-66	1600317	4-11, 4-17
1001121803	8-12	1001138797	3-8	1060918	4-5, 4-13, 7-33, 7-54	1600318	4-11, 4-21
1001121804	8-11	1001138798	3-8, 5-5	1060919	4-9	1600361	2-32
1001121805	8-12	1001138799	3-8, 5-17	1060977	7-49, 7-69	1600364	2-97
1001121806	8-11	1001139358	2-48	1061033	7-34, 7-56	1600374	2-61, 9-1
1001121807	8-11	1001139359	2-48	1120304	1-4	1600375	4-11
1001121808	8-12	1001139373	4-4	1120460	1-5	1600411	2-97
1001121809	8-11	1001139374	4-4	1120484	2-85	1660234	2-52
1001121810	8-12	1001140429	4-4	1120487	2-85	1660239	2-28, 2-38
1001121811	8-11	1001141967	7-44, 7-64	1120552	1-16	1660250	2-61
1001121812	8-12	1001141968	7-44, 7-64, 7-65	1120588	2-59	1660257	2-89
1001121813	8-3, 8-4	1001141969	7-44, 7-64, 7-65	1180336	3-29	1660258	2-89
1001121814	8-3	1001144018	4-4	1180338	3-29	1660303	2-89
1001121815	8-10, 8-11	1001144019	4-4	1180339	3-24	1660304	2-89
1001121816	8-11	1001144021	4-4	1260017	2-14	1670767	2-112, 2-116
1001121817	8-10	1001144022	4-4	1282571	7-2	1670768	3-13, 3-18, 3-28
1001121818	8-11	1001144023	4-3	1282665	6-20	1670769	3-10, 3-21
1001121818	8-11	1001144024	4-3	1283309	6-20	1670819	3-35
1001121819	8-10	1001144026	4-3	1283429	6-20	1670824	3-35, 3-36
1001121820	8-10	1001144027	4-3	1300019	1-16	1670829	2-97, 2-101, 4-11
1001121821	8-11	1001144629	4-3	1320012	2-59, 2-67, 2-74	1670836	3-28
1001121822	8-10	1001144630	4-3	1320016	2-28, 2-38, 2-50, 2-59, 2-67, 2-74	1671037	4-12
1001121823	8-11	1001145405	4-3	1320022	2-31, 2-40, 2-46, 2-50, 2-58, 2-59, 2-64, 2-67, 2-72, 2-74	1671092	2-141, 2-147, 2-151, 7-45, 7-48, 7-66, 7-68
1001121824	8-10	1001145781	4-3, 4-4	1320033	2-59	1671093	7-45, 7-65
1001121825	8-11	1001145834	4-4, 4-11	1320127	2-86	1671179	2-112, 2-113
1001121918	8-12	1001145835	4-4	1320176	2-50	1671216	2-112, 2-116, 2-118
1001121921	8-11	1001146179	4-3	1320218	2-86	1671217	2-112, 2-116, 2-117
1001122200	8-11	1001146180	4-3	1320219	2-74	1671218	2-112, 2-116, 2-117
1001122201	8-10	1001146181	4-4	1320220	2-86	1671243	2-118
1001125683	3-27	1001146182	4-4	1320223	2-30, 2-31, 2-38, 2-40, 2-41, 2-48, 2-50, 2-60, 2-65, 2-67, 2-73, 2-74	1671244	2-118
1001125770	3-27	1001146827	1-17	1320224	2-41	1671245	2-117
1001126100	3-23	1001146828	1-17	1320243	3-3, 3-9, 3-14, 3-20	1671246	2-117
1001126102	3-23	1001147019	1-17	1320263	2-42	1671258	2-117
1001126169	3-27	1001147020	1-17	1320314	3-28	1671311	2-149
1001126177	3-27	1001147067	1-17	1320323	2-64, 2-72	1683053	5-5, 5-11, 5-17
1001128792	5-11	1001147068	1-17	1321138	2-59	1683054	5-25, 5-27
1001129555	4-11, 4-17, 4-18	1001148652	3-28	1321339	2-58	1683055	5-5, 5-17
1001131168	4-12	1001150998	2-51	1321384	2-117	1683061	5-13
1001131269	8-4, 8-13, 8-18	1001156351	7-66			1683067	5-9
1001131992	7-3	1001156352	7-65			1683069	5-15
1001137005	7-50, 7-70	1060279	8-4, 8-12, 8-18			1683208	1-4, 1-10, 1-13, 5-21
1001137748	2-50, 2-52	1060341	4-27, 7-42, 7-62			1683263	3-8, 3-18, 5-17
1001137749	2-49	1060343	2-141, 2-147, 2-151, 7-48, 7-68			1683266	3-3, 3-13, 5-17
1001137751	2-46	1060461	7-43, 7-63			1683288	3-3, 3-8, 3-13, 3-18, 5-15
1001137752	2-49	1060494	2-140, 2-147, 2-151, 7-43, 7-48, 7-49, 7-63, 7-68, 7-69			1683294	3-3, 3-8, 3-13, 3-18, 5-13
1001137754	2-46						
1001137814	2-48						
1001137815	2-48						
1001138034	6-20						
1001138430	4-4	1060584	1-34				
1001138431	4-4						

# SECTION 11 PARTS NUMBER INDEX

Part Number	Page	Part Number	Page	Part Number	Page	Part Number	Page
1683299	3-3, 3-8, 5-9	1702590	2-130, 2-134	1703953	8-3, 8-8	1705897	8-9
1683307	3-27, 5-25	1702617	8-13	1703980	8-9	1705898	8-9
1683308	5-25	1702676	4-5	1703981	8-9	1705901	8-8
1683312	3-23, 5-27	1702688	8-3	1703983	8-9	1705902	8-9
1683313	5-27	1702720	8-12	1703984	8-9	1705903	8-8
1683314	5-27	1702740	1-16	1703990	8-13	1705905	8-13
1683317	3-27, 5-25	1702773	4-9, 8-4, 8-12, 8-18	1703996	8-11	1705910	8-14
1683318	5-25	1702774	8-4, 8-12, 8-18	1704000	8-8	1705917	8-9
1683415	3-3, 3-14, 5-5	1702784	8-4, 8-13	1704001	8-8	1705921	8-17
1683418	3-8, 3-19, 5-5	1702818	8-3, 8-10, 8-18	1704006	8-8	1705961	8-17
1683609	3-9, 3-19, 5-11	1702819	8-3, 8-10, 8-18	1704007	8-8	1705967	8-8
1683949	5-17	1702860	8-4, 8-12, 8-18	1704096	8-4	1705969	8-8
1683952	5-5	1702861	8-4, 8-12, 8-18	1704098	8-11	1705977	8-18
1683962	5-17	1702868	8-3, 8-8	1704099	8-11	1705978	8-18
1683963	5-5	1702938	4-15, 4-27	1704101	8-11	1706059	2-47, 8-8
1683972	5-17	1702941	2-41, 2-48, 2-65, 2-73	1704102	8-11	1706060	2-47, 8-8
1683973	5-17			1704104	8-3	1706061	2-48, 8-8
1683976	5-5	1702942	2-41, 2-48, 2-65, 2-73	1704106	8-10	1706062	2-48, 8-8
1684001	5-13			1704107	8-10	1706063	2-48, 8-8
1684005	5-13	1702943	2-40, 2-48, 2-65, 2-73	1704110	8-10	1706064	2-48, 8-8
1684014	5-9			1704112	8-10	1706098	2-47, 8-17
1684015	5-9	1702944	2-41, 2-48, 2-65, 2-73	1704260	4-12	1706380	8-11
1684017	5-15			1704271	8-12	1706381	8-10
1684019	5-15	1703084	4-14	1704272	1-34	1706385	4-9
1684089	5-11	1703085	4-14	1704277	8-3, 8-7, 8-17	1706593	1-33
1684090	5-11	1703162	2-28, 2-38, 2-50, 2-59, 2-67, 2-74	1704412	8-3, 8-7, 8-17	1706712	2-98, 2-101
1684280	1-3, 1-9, 5-3			1704578	1-33	1706846	1-16
1684289	5-3	1703467	2-98	1704885	8-4, 8-12, 8-18	1706912	2-98
1684290	5-3	1703468	2-98	1704972	2-47, 8-3, 8-8	1706913	2-98
1684308	5-25	1703469	8-3, 8-10, 8-17	1704997	4-12	1706931	8-4, 8-13
1684310	5-25	1703534	6-13, 6-19	1705014	4-9	1706941	8-5, 8-13
1684418	1-5, 1-13, 5-21	1703544	8-13	1705084	8-17	1706968	8-8
1684465	1-3, 1-9, 5-3	1703687	8-5, 8-13, 8-18	1705090	1-34, 8-4, 8-12, 8-18	1707013	8-3
1684498	3-3, 3-8, 3-13, 3-18, 5-9	1703797	8-3, 8-8	1705132	2-98, 4-12	1707014	8-3
		1703804	8-3, 8-9	1705170	2-106, 4-15	1707045	8-10
1700584	8-4, 8-13, 8-18	1703805	8-3, 8-9	1705325	2-123, 2-127	1707046	8-10
1700818	8-4, 8-12	1703808	8-5, 8-13	1705336	8-3, 8-9	1707047	8-10
1701502	8-3, 8-7, 8-17	1703811	8-3, 8-7, 8-17	1705344	8-9	1707048	8-10
1701503	8-3, 8-7, 8-17	1703814	8-3, 8-7, 8-17	1705345	8-9	1707049	8-10
1701505	2-32, 2-40, 2-46, 8-4, 8-12, 8-18	1703923	8-9	1705347	8-9	1707051	8-10
		1703924	8-8	1705351	8-5, 8-13	1707052	8-10
1701509	8-3, 8-7, 8-17	1703925	8-8	1705364	1-16	1707053	8-10
1701518	8-17	1703926	8-9	1705374	2-141, 2-147, 2-151	1707054	8-10
1701529	8-3, 8-7, 8-17	1703927	8-9	1705375	2-141, 2-147, 2-151	1707055	8-11
1701542	2-58, 2-64, 2-72, 8-4, 8-12	1703935	8-9	1705376	2-141, 2-147, 2-151	1707056	8-12
		1703936	8-9	1705387	2-141, 2-147, 2-151	1707057	8-11
1701543	2-58, 2-64, 2-72, 8-4, 8-12	1703937	8-9	1705426	8-14	1707059	8-11
		1703938	8-9	1705427	8-14	1810058	2-97, 7-35
1701645	8-4	1703939	8-9	1705429	8-13	1810059	2-97, 7-35
1702137	1-16	1703941	8-8	1705430	8-13	1810060	2-97, 7-35
1702153	8-3	1703942	8-8	1705460	2-141, 2-147, 2-151	1810061	2-97, 7-35
1702265	8-5, 8-13	1703943	8-8	1705461	2-141	1810062	2-97, 7-35
1702271	8-13	1703944	8-8	1705489	2-141	1810063	2-97, 7-35
1702387	4-14	1703945	8-8	1705753	2-98	1810064	2-97, 7-35
17023987	8-13	1703947	8-9	1705820	1-34	1810065	2-97, 7-35
1702565	4-12	1703948	8-9	1705822	8-17	1810066	2-97, 7-35
1702566	4-12	1703949	8-9	1705828	8-17	1810067	2-97, 7-35
1702567	4-12	1703950	8-9	1705895	8-8	1870132	7-3
1702573	8-13	1703951	8-9	1705896	8-9	1870191	7-3

# SECTION 11 PARTS NUMBER INDEX

Part Number	Page	Part Number	Page	Part Number	Page	Part Number	Page
1870215	7-3	2220377	2-80, 6-3, 6-5, 6-11, 6-15	2220921	6-12, 6-16	2680440	2-112, 2-113
2000194	2-29, 2-32	2220379	6-11, 6-15	2220923	6-12, 6-16	2680441	2-112, 2-113
2000272	2-60, 2-61	2220381	6-12, 6-16	2220947	2-80, 6-13, 6-19	2720058	2-29, 2-31, 2-38, 2-40, 2-47, 2-58, 2-64, 2-67, 2-74
2000274	2-50, 2-52	2220409	6-11, 6-15	2220948	6-11, 6-15	2720144	2-86
2000279	2-49	2220414	6-11, 6-16	2220974	6-12, 6-16	2720271	2-68, 2-74
2000280	2-48	2220415	6-3, 6-5, 6-9, 6-11, 6-15	2220998	6-13, 6-18	2720392	2-61, 2-64, 2-72
2000299	2-59	2220418	2-86	2220999	6-12, 6-17	2720398	2-50
2000300	2-59	2220428	6-11, 6-16	2221018	2-86	2720434	2-29, 2-38, 2-50
2000339	2-50, 2-52	2220429	6-11, 6-16	2221024	2-87	2720435	2-60
2000342	2-49	2220451	2-50, 6-3	2221036	6-13, 6-19	2720436	2-60
2000354	2-67	2220459	2-31	2221042	6-11, 6-15	2720449	2-50
2000365	2-49	2220466	6-11, 6-15	2221053	6-13, 6-19	2720472	2-58
2000366	2-48	2220468	6-9, 6-12	2221065	6-12, 6-17	2720496	2-64, 2-72
2000370	2-65	2220472	6-19	2221170	6-3	2720509	2-29, 2-38
2000371	2-66	2220473	6-3, 6-5, 6-12, 6-13, 6-18	2221176	2-31, 2-40, 2-46, 2-58, 2-64, 2-72	2720510	2-29
2000386	2-29, 2-32	2220474	6-11, 6-15	2221197	2-86	2720514	2-60, 2-67
2060025	2-29, 2-38, 2-50, 2-60, 2-67, 2-74	2220479	2-80	2300004	2-40, 2-61, 2-65, 2-72	2720515	2-30, 2-38
2080040	4-3, 4-5	2220490	6-9	2300041	2-30, 2-40, 2-65, 2-72	2720532	2-58
2080044	3-9, 3-19	2220497	6-11	2400060	2-142, 2-147, 2-151, 7-49, 7-60, 7-69	2720563	2-67, 2-74
2080051	2-118	2220498	6-12, 6-16	2400064	2-142, 2-147, 2-151, 7-49, 7-69, 9-2	2720564	2-67, 2-74
2120149	2-4, 9-1	2220500	6-5, 6-12, 6-17	2400065	7-36, 7-39, 7-57, 9-1	2720566	2-64, 2-72
2120164	2-4	2220504	6-3, 6-5, 6-9	2400066	7-36, 7-49, 7-57, 7-69	2720598	2-64, 2-72
2120209	2-4	2220507	6-5, 6-19	2400070	7-49, 7-69, 9-2	2750532	2-31, 2-40, 2-47, 2-50, 2-60, 2-64, 2-67, 2-75
2120210	2-4, 9-1	2220510	6-12, 6-17	2400093	7-46, 7-66	2751032	2-14
2160002	2-14	2220511	6-12, 6-18	2410014	4-9	2751396	6-11, 6-16
2180125	2-86	2220567	6-11, 6-15	2420172	2-98, 2-101	2751410	6-9
2180344	2-14	2220574	6-12, 6-16	2420187	2-61	2751434	6-9
2180348	2-31, 2-40, 2-46	2220578	2-80, 6-11, 6-15	2420203	2-122, 2-126, 2-130, 2-133	2752341	6-3, 6-13, 6-18
2180380	6-13, 6-18	2220582	6-3, 6-5, 6-11, 6-16, 6-19	2460048	2-138, 2-145, 2-149	2752343	6-13, 6-18
2180387	2-86	2220596	6-5, 6-12, 6-16	2460049	2-121, 2-125	2752453	6-12, 6-18
2180388	2-86	2220602	6-11, 6-16	2460050	2-138	2752462	6-9, 6-12, 6-17
2180389	2-86	2220603	6-13, 6-18	2460051	2-129, 2-133	2752468	6-12, 6-17
2180418	2-61, 2-64, 2-72, 2-86	2220605	6-11, 6-15	2460052	2-129, 2-133	2752469	6-12, 6-17
2180467	2-60	2220606	6-3, 6-5	2460055	2-121, 2-125	2752475	6-3, 6-6
2180724	6-13, 6-18	2220609	6-12, 6-16	2460056	2-121, 2-125	2752484	6-13, 6-19
2180877	2-68, 2-74	2220618	6-11, 6-15	2460057	2-121, 2-125	2752497	6-12, 6-17
2200222	2-86	2220628	6-12, 6-16	2560136	4-12	2752506	6-12, 6-16
2200233	2-85	2220646	2-80, 6-5, 6-11	2560173	4-6	2752516	6-12, 6-16
2220001	2-14	2220654	6-12, 6-18	2575716	1-33	2752519	6-13, 6-19
2220005	2-61, 2-64, 2-72	2220657	6-12, 6-17	2580024	2-30, 2-41, 2-48, 2-65, 2-73	2752573	6-11, 6-16
2220063	2-14	2220738	6-11, 6-15	2580050	2-32, 2-40, 2-48, 2-65, 2-73	2752574	6-5
2220064	2-61, 2-64, 2-72	2220767	2-33	2580055	2-30, 2-34, 2-41	2752579	6-12, 6-17
2220235	6-13	2220794	2-31	2580062	2-52	2752592	6-3, 6-6
2220237	1-6, 6-3, 6-5	2220810	2-83, 6-11	2580063	2-65, 2-73	2752593	6-12, 6-18
2220250	2-31	2220861	6-5	2600210	2-113, 2-117, 2-118	2752600	6-17
2220261	2-86	2220873	6-11, 6-13, 6-16, 6-19	2600281	4-3	2752601	6-12, 6-17
2220273	2-31	2220883	1-27, 5-6, 5-9, 5-11, 5-13, 5-15, 5-27	2680433	2-112, 2-116	2752603	6-12, 6-17
2220313	2-31, 2-40, 2-46, 2-58, 2-64	2220885	5-5, 5-11, 5-18, 5-25	2680434	2-112, 2-116	2752604	6-11, 6-16
2220362	6-3, 6-5	2220886	1-27, 5-9			2752611	6-3, 6-6
2220371	6-3, 6-5, 6-9	2220888	5-15			2752618	6-13, 6-19
2220372	6-12, 6-17	2220890	5-3			2752620	6-3, 6-6
2220373	6-3, 6-5, 6-13, 6-19	2220893	2-4			2752620	6-3, 6-6
2220374	6-12, 6-16	2220899	6-12, 6-17			2752635	6-11, 6-16
2220375	6-5, 6-11, 6-15					2752636	6-12, 6-17
2220376	2-83, 6-11					2752650	6-13, 6-18
						2752655	6-11

# SECTION 11 PARTS NUMBER INDEX

Part Number	Page	Part Number	Page	Part Number	Page	Part Number	Page
2752656	6-11, 6-15	2792689	6-11, 6-15, 6-20	2902310	8-8	3252507	2-123, 2-127
2752723	6-11, 6-15	2792690	6-9, 6-20	2902311	8-8	3252764	2-137, 2-146, 2-150
2752724	6-11, 6-15	2792691	6-21	2902312	8-7	3255325	2-126
2752783	6-12, 6-16	2792692	6-3, 6-20	2902322	8-7	3271601	1-29
2752910	6-3, 6-6	2792697	6-20	2902329	8-19	3271805	2-89, 2-93, 4-9
2752928	6-3, 6-6	2792702	6-20	2902350	8-3, 8-9, 8-17	3272001	1-4
2752929	6-3, 6-11, 6-16	2792730	6-5, 6-20	2902443	7-37, 7-59	3272605	3-4, 3-10, 3-14, 3-20
2752939	6-12, 6-17	2792786	6-20	2902470	6-13, 6-19	3290405	2-65, 2-72, 7-45, 7-66
2752985	6-13, 6-18	2792787	6-20	2902471	6-13, 6-19	3290505	2-65, 2-72, 2-123, 2-127
2752987	6-13, 6-19	2820031	2-123, 2-127, 2-130, 2-134, 2-140, 2-146, 2-150, 7-34, 7-56	2902472	6-13, 6-19	3290507	2-41
2752989	6-13, 6-19	2820035	2-105, 4-5, 7-42, 7-62	2902531	2-66, 2-73, 7-40, 7-60	3290606	4-4
2752990	6-13, 6-18	2820076	2-113	2902549	7-46	3290801	2-29, 2-38
2752991	6-12, 6-18	2820077	2-113, 2-117	2910869	4-13	3300106	1-5, 1-15
2753046	6-13, 6-18	2820078	2-113, 2-119	2915087	2-14	3300151	4-4
2753047	6-12, 6-18	2820082	2-113, 2-119	2920028	4-15	3300205	2-98, 2-102
2753052	6-12, 6-17	2820088	2-113, 2-119	2920029	4-15	3300243	3-4, 3-10, 3-14, 3-20
2753055	6-12, 6-17	2820083	2-113, 2-119	2920110	2-105	3300353	4-12
2753056	6-12, 6-18	2820083	2-113, 2-119	2920113	2-105	3300396	2-141, 2-147, 2-151
2753132	6-11, 6-15	2820118	7-33, 7-34, 7-55, 7-56	2920129	7-32, 7-36, 7-54, 7-57	3300408	2-98, 2-102
2753133	6-11, 6-16	2820173	2-60	2920130	2-105	3300454	2-140
2753134	6-12, 6-17	2820176	2-117, 2-118	2920140	4-5, 7-49, 7-69	3310601	2-109, 2-141, 2-147, 2-151
2753135	6-12, 6-18	2820180	2-60, 2-67	2920157	2-106, 4-6	3310801	3-35
2753325	6-11, 6-15	2820186	2-60	2920214	2-105	3310805	2-86, 3-35
2753435	6-3	2820187	2-60	2920215	2-105	3311001	4-13
2753924	6-3, 6-5	2820188	2-61	2940074	4-3, 9-1	3311005	2-105, 2-112, 2-113, 2-116, 2-117, 2-118, 2-123, 2-126, 2-130, 2-134, 4-13
2753925	6-3, 6-5	2820236	2-118	2940088	2-113, 2-117, 2-118	3311401	2-98, 2-103, 3-13, 3-18, 3-28, 4-27
2753926	6-5	2820237	2-117	2940188	2-117	3311405	2-4, 2-29, 2-31, 2-38, 2-40, 2-47, 2-50, 2-58, 2-59, 2-60, 2-66, 2-67, 2-73, 2-74, 2-112, 2-116, 2-130, 2-134, 2-139, 2-146, 2-150, 3-35, 4-5, 7-45, 7-66, 8-4, 8-12, 8-18
2753928	6-6	2820238	2-117	2980125	1-33	3311501	2-113, 2-116, 4-27
2753929	6-3, 6-5, 6-6	2820243	2-67, 2-74	3010141	1-33	3311505	1-29, 2-29, 2-30, 2-31, 2-39, 2-40, 2-47, 2-51, 2-60, 2-64, 2-65, 2-72, 2-112, 2-116, 2-134, 2-137, 2-146, 2-150, 3-4, 3-9, 3-14, 3-20, 3-28, 4-25
2753930	6-7	2820244	2-67, 2-74	3020016	2-40, 2-49, 2-52	3311601	2-85, 2-113, 2-116, 2-146, 2-150, 4-14
2753933	6-9	2840018	2-109	3020017	1-5		
2753967	6-3	2860012	2-126	3020021	2-52		
2753968	6-11, 6-16	2860030	2-98, 2-102, 9-1	3020039	3-13, 3-14, 3-18, 3-19, 3-23, 3-27		
2753969	6-3	2890245	1-6	3020044	2-30, 2-40, 2-52		
2754227	6-7	2900708	2-3	3160273	2-13, 2-19		
2754228	6-7	2900770	2-3, 5-13, 5-27	3160299	1-15, 1-23		
2754229	6-5	2900792	5-5, 5-9, 5-11, 5-13, 5-15, 5-27	3160300	1-15, 1-23		
2754230	6-5	2901273	5-13	3160349	1-15, 1-27		
2754231	6-6	2901285	5-9	3160350	1-15, 1-27		
2754232	6-6	2901301	5-6, 5-18	3200362	2-50, 2-60, 2-67, 2-74		
2754235	6-3, 6-6	2901303	5-6, 5-11, 5-18	3200406	2-29, 2-38, 2-50		
2754328	6-11, 6-15	2901322	5-15	3220103	2-50		
2754329	6-11, 6-15	2901443	7-50, 7-70	3220104	2-50		
2754330	6-11, 6-15	2901763	2-9	3220113	2-29, 2-38		
2754731	6-5	2901861	5-25, 5-27	3220134	2-61		
2754732	6-5	2902065	2-52	3220154	2-29		
2754733	6-6	2902085	2-127	3250033	8-4, 8-12, 8-18		
2754734	6-6	2902266	5-3	3250585	4-6		
2760105	2-98, 2-101, 4-12	2902296	2-30, 2-47, 7-40, 7-60	3250872	1-34, 8-4, 8-12, 8-18		
2780205	2-13, 2-17	2902297	2-58, 7-40	3251102	2-123, 2-127, 2-130, 4-6		
2780269	1-15, 1-19	2902303	8-5, 8-7, 8-19	3251243	2-126, 2-130, 2-134, 8-3, 8-7		
2780271	1-5	2902307	8-5, 8-7	3251813	8-3, 8-7, 8-9, 8-17		
2780276	1-5	2902308	8-7	3252347	8-3, 8-9		
2792191	6-20	2902309	8-7				
2792192	6-20						
2792315	6-21						
2792405	6-21						
2792687	6-5, 6-20						
2792688	6-11, 6-15, 6-20						

# SECTION 11 PARTS NUMBER INDEX

Part Number	Page	Part Number	Page	Part Number	Page	Part Number	Page
3311605	2-29, 2-39, 2-41, 2-47, 2-51, 2-58, 2-60, 2-64, 2-65, 2-67, 2-73, 2-74, 2-109, 2-112, 2-116, 2-117, 2-123, 2-126, 3-9, 3-19, 3-24, 3-28, 4-5, 4-9	3422573	3-3, 3-8, 3-13, 3-18	3539228	3-24	3620033	2-51
3311608	2-74	3422575	3-3, 3-8, 3-13, 3-18, 3-23	3539236	3-24	3620040	2-60, 2-67, 2-74
3311705	2-123, 2-126	3422576	3-3, 3-8	3539779	3-3, 3-9, 3-14, 3-20	3620047	2-29, 2-39
3311801	2-29, 2-39, 2-47, 2-58, 2-140, 3-35	3422577	3-3, 3-13	3539872	2-29, 2-51, 2-60, 2-67	3641533	2-142, 2-147, 2-152
3311805	2-29, 2-39, 2-51, 2-60, 2-66, 2-67, 2-73, 2-74, 2-112, 2-116, 3-4, 3-10, 3-14, 3-20, 4-25	3422578	3-3, 3-14	3539877	1-3, 1-9	3641569	4-27
3313403	1-6	3422579	3-8, 3-18	3539878	1-9	3730120	7-39
3321501	2-117	3422580	3-3, 3-14	3539923	2-112, 2-116	3730121	7-39
3322201	2-89, 2-93	3422582	3-3, 3-14	3539956	2-31, 2-40, 2-47	3740049	2-98, 2-102, 7-42, 7-62, 9-1
3323403	1-5	3422583	3-8, 3-19	3539971	2-51	3740067	2-29, 2-39, 2-51, 2-60, 2-67, 2-74, 9-1
33251102	2-134	3422592	1-3, 1-9	3539988	2-113, 2-119	3740080	2-123, 2-126, 2-130, 2-134, 2-139, 2-146, 2-150, 9-2
3340608	5-25	3422813	1-33	3570270	3-25	3760133	3-28
3340764	3-28	3422841	1-34	3570277	3-25	3760170	1-34, 2-14
3340765	3-28	3422847	1-34	3570374	3-4, 3-9, 3-14, 3-20	3760368	5-5, 5-11, 5-17, 5-27
3340787	3-28	3422848	1-33	3570375	3-24	3760369	5-5, 5-17
3340871	3-23, 3-28	3422860	3-8, 3-19	3572009	1-34	3760370	5-13
3340881	3-23, 3-28	3422861	3-8, 3-19	3572010	1-34	3760372	5-9
3340911	1-29	3422867	3-8, 3-19	3572011	1-34	3760384	5-15
3340966	1-33	3422900	1-4, 1-10, 1-13	3572012	1-34	3790012	2-58, 2-59, 2-65, 2-66, 2-72, 2-73, 2-106, 3-18, 4-5, 4-12, 4-15
3380428	2-31, 2-40, 2-47	3423175	1-5	3572280	2-60, 2-67, 2-74	3790045	1-15
3380434	4-5	3430816	2-109	3574091	4-27	3790152	2-31, 2-40, 2-49
3380557	1-30, 1-31	3450306	3-25	3574162	2-60	3820001	2-106, 8-4, 8-12, 8-18
3380558	1-30, 1-31	3450404	2-109	3574171	3-29	3820020	4-3
3380560	1-30	3450606	3-24	3574185	3-29	3841143	1-4, 1-5, 1-10, 1-13, 1-33, 2-30, 2-40, 2-47, 2-58, 2-65, 2-72, 3-3, 3-8, 3-13, 3-14, 3-18, 3-19
3380573	1-30	3450810	1-5	3574206	2-29, 2-39	3841203	3-3, 3-8, 3-13, 3-18, 3-23
3420156	4-14	3451010	1-5	3574207	2-29, 2-39	3841258	1-3, 1-4, 1-9, 1-10, 1-13
3420372	1-34	3460420	2-112, 2-117	3574208	2-29, 2-39	3841263	1-5
3420447	1-34	3470003	4-14	3574225	2-130, 2-146	3841285	1-4, 1-10, 1-13
3421565	1-34, 2-14	3480188	5-5, 5-17	3574229	2-146	3841295	3-24
3422326	1-4	3480206	5-9	3574262	2-146	3841340	3-9, 3-19, 3-28
3422327	1-33	3480210	5-5, 5-11, 5-17	3574504	2-60	3841347	3-25
3422426	1-4, 1-5, 1-10, 1-13	3480211	5-13	3574684	2-123	3841677	1-13
3422427	1-5, 1-10	3480212	5-25, 5-27	3574978	2-51	3890040	4-9
3422429	1-4, 1-5, 1-10, 1-13	3480216	5-15	3575359	4-27	3900054	4-9
3422430	1-4, 1-5, 1-10, 1-13	3480288	5-3	3575863	2-140	3900166	3-3
3422448	2-30, 2-40, 2-47, 2-58, 2-65, 2-72	3510822	4-3	3580134	2-122, 2-126	3900232	2-112, 2-117
3422457	3-28	3510830	4-3	3580158	2-125	3900239	3-3, 3-9, 3-13, 3-18
3422532	2-49, 2-59	3510831	4-3	3580276	2-122, 2-126	3900268	2-98, 2-102
3422533	2-30, 2-40, 2-47, 2-66, 2-73	3510833	4-3	3580312	2-130, 2-134, 2-146, 2-150	3900322	2-130
3422561	3-8, 3-19	3510868	4-9	3580313	2-130, 2-146	3910606	2-137, 2-146, 2-150
3422565	3-3	3510884	4-9	3580314	2-146, 2-150	3910608	2-109
3422566	3-8, 3-13, 3-18	3520028	2-122, 2-123, 2-126, 2-130, 2-133	3580317	2-140	3910610	2-141, 2-147, 2-151
3422571	3-3, 3-8, 3-13, 3-18	3520033	2-113	3580318	2-140	3910804	2-98, 2-102
3422572	3-3, 3-8, 3-13, 3-18	3520034	3-9, 3-19	3580319	2-140		
		3520035	2-98	3580320	2-140		
		3520054	2-52, 4-12	3580321	2-140		
		3520072	4-3, 4-9	3580322	2-121		
		3520189	2-141, 7-48, 7-68	3580324	2-130, 2-134		
		3520198	4-3, 4-4	3580325	2-130, 2-134		
		3536089	4-5	3580348	2-134, 2-150		
		3537318	2-13	3600242	2-83		
		3537416	2-51	3600365	2-3		
		3537445	2-109	3600381	2-78		
		3538247	5-25	3600395	2-30, 2-40, 2-49, 2-59, 2-66, 2-73, 2-83		
		3538758	3-28	3600396	2-30, 2-40, 2-49, 2-59, 2-66, 2-80		
		3538771	5-25				
		3539219	2-98, 2-102				

# SECTION 11 PARTS NUMBER INDEX

Part Number	Page	Part Number	Page	Part Number	Page	Part Number	Page
3910808	2-86	4060805	2-31, 2-39, 2-51, 2-60, 2-67, 2-75, 3-28	4360232	7-49, 7-69, 9-2	4460226	2-103, 4-13, 7-32, 7-36, 7-39, 7-41, 7-42, 7-48, 7-49, 7-50, 7-54, 7-57, 7-58, 7-62, 7-63, 7-68, 7-69, 7-70
3911016	2-117, 2-118	4060807	2-4	4360328	2-98, 2-102, 3-18, 4-12, 4-15, 9-1	4460227	7-32, 7-37, 7-49, 7-54, 7-59, 7-60, 7-62, 7-69
3911040	2-105	4060808	3-23	4360330	4-12, 9-1	4460233	7-43, 7-45, 7-63, 7-65
3930816	3-35, 3-36	4060906	2-98, 2-102, 2-103	4360331	4-5, 9-1	4460234	2-105, 2-106, 4-12, 4-27
3930824	3-35	4060907	2-105	4360336	2-58, 2-65, 2-72, 2-103, 2-106, 2-123, 2-127, 2-130, 2-134, 2-137, 2-146, 2-150, 4-6, 4-14, 4-15, 9-2	4460259	7-42, 7-62
3931408	3-35	4060918	2-4	4360407	4-12, 4-15, 4-27, 9-1	4460260	7-42, 7-62
3931430	3-35	4061010	2-117	4360436	2-85	4460267	7-39, 7-42, 7-58, 7-62
3931448	5-25	4061043	2-138, 2-146, 2-150, 7-45, 7-48	4360469	2-98, 2-102, 9-1	4460268	2-105, 7-38, 7-39, 7-42, 7-58, 7-62
3931516	5-5, 5-11, 5-17, 5-25, 5-27	4061049	2-139	4360470	2-98, 2-102, 9-1	4460297	7-42, 7-62
3931620	2-31, 2-40, 2-49, 2-59, 2-66, 2-73, 5-5, 5-17	4070585	2-127	4360476	2-98, 2-102, 4-12, 9-1	4460320	7-39, 7-42, 7-49, 7-58, 7-62, 7-69
3931632	2-140	4070863	3-23, 3-28	4360517	2-94, 7-62, 9-1	4460321	7-42, 7-50, 7-63, 7-70
3931720	5-13	4070864	3-23, 3-28	4360522	2-106, 4-15, 9-2	4460326	7-39, 7-42, 7-58, 7-62
3932032	5-9	4070897	3-23, 3-28	4360542	2-122, 2-126, 2-129, 2-133, 9-2	4460339	7-39
3932224	2-13	4070898	3-23, 3-28	4360578	3-35, 3-36, 9-2	4460346	2-138, 2-146, 2-150, 7-44, 7-48, 7-64, 7-68
3932240	5-15	4070929	3-23, 3-28	4400275	2-86	4460374	2-142, 2-147, 2-151, 7-49, 7-63, 7-69
3940604	1-34	4070932	3-28	4400399	2-85	4460375	2-142, 2-147, 2-151, 7-49, 7-63, 7-69
3960098	1-5	4070944	1-4, 1-9	4400420	2-86	4460411	2-142, 2-147, 2-152
3960343	1-5	4070945	1-4	4400454	2-85, 2-86	4460412	2-142, 2-147, 2-152
3960389	2-32, 2-40, 2-49, 2-59, 2-66, 2-73, 2-113, 2-117, 2-118	4070987	2-98, 2-102	4420037	4-6	4460415	2-142, 2-147, 2-152
3960407	2-51	4071007	3-28	4420038	2-85	4460418	7-32, 7-37, 7-54, 7-60
3960418	2-112, 2-117	4071009	2-13	4420051	1-34, 8-18	4460419	7-32, 7-37, 7-54, 7-60
3960422	2-137, 2-146, 2-150, 7-48, 7-68	4071059	1-33	4420060	2-127, 3-35, 3-36	4460424	2-105, 7-38, 7-39, 7-42, 7-49, 7-58, 7-62, 7-69
3960438	2-113, 2-118	4071061	3-29	4420068	4-25, 4-27	4460425	2-141, 2-147, 2-151, 4-27, 7-48, 7-49, 7-68, 7-69
3960461	2-105	4071062	3-29	4460007	4-13	4460426	2-98, 2-102, 2-141, 2-147, 2-151, 4-6, 7-36, 7-48, 7-49, 7-57, 7-68, 7-69
3960462	2-113, 2-117, 2-118	4071101	1-3, 1-4, 1-9	4460027	2-122, 2-126, 2-129, 2-133, 7-43, 7-63	4460428	4-12, 7-32, 7-54
3960467	2-112, 2-116	4100100	5-11	4460042	4-13	4460434	7-32, 7-37, 7-54, 7-59
3960468	2-29, 2-39, 2-51, 2-60, 2-67, 2-74	4120035	7-32, 7-37, 7-54, 7-60	4460049	4-27		
3960469	2-29, 2-39, 2-51, 2-60, 2-67, 2-75	4130401	1-4, 1-10, 1-13	4460051	2-139, 2-146, 2-150, 7-48, 7-68		
3960526	1-15	4130402	1-4, 1-10, 1-13	4460071	2-139, 2-146, 2-150, 4-5, 4-13, 7-33, 7-45, 7-48, 7-54, 7-65, 7-68		
3960591	2-60	4130409	1-5	4460125	7-44, 7-64		
3980007	2-30, 2-41, 2-48, 2-65, 2-73	4130410	1-4	4460134	7-43, 7-45, 7-63, 7-65		
3990001	7-36	4130412	1-4, 1-10	4460190	2-122, 2-126, 2-129, 2-133		
3990010	7-37, 7-59	4130413	1-5	4460205	7-43, 7-45, 7-63, 7-65		
4010618	4-4	4130414	1-5	4460224	7-41, 7-62		
4031608	2-123, 2-127	4130415	1-5	4460225	7-32, 7-48, 7-54, 7-68		
4031709	2-41	4160143	2-112, 2-116				
4031911	2-29, 2-39	4220162	2-105, 2-106				
4032015	2-139	4220191	2-29, 2-39				
4060092	7-44, 7-65	4240018	2-123, 2-127, 2-130, 2-134, 2-139				
4060700	2-137, 2-146, 2-150, 7-44, 7-48	4240032	2-105, 2-106				
4060802	2-123, 2-127, 2-130, 2-134, 2-137, 2-146, 2-150, 4-6	4240084	1-29				
4060803	3-28	4240099	4-5, 4-27				
4060804	2-4, 3-28	4240102	2-85				
		4280295	2-85				
		4300111	2-146, 2-150				
		4300157	2-139				
		4340738	2-130, 2-146				
		4341239	2-67, 2-75				
		4341241	2-67, 2-75				
		4360031	4-5, 4-13				
		4360057	4-27, 9-2				
		4360070	2-141, 2-147, 2-151, 9-2				

# SECTION 11 PARTS NUMBER INDEX

Part Number	Page	Part Number	Page	Part Number	Page	Part Number	Page
4460445	7-39, 7-42, 7-58, 7-62	4460725	7-38	4460963	2-141, 2-147, 2-151, 7-48, 7-68	4520284	1-16
4460457	7-38, 7-39, 7-58	4460726	7-38	4460967	2-142, 2-147, 2-151, 7-49, 7-69	4520287	1-16
4460458	2-151, 7-38, 7-39, 7-41, 7-58, 7-59, 7-63, 7-69	4460728	7-39	4460968	2-123, 2-127, 3-35, 3-36, 7-45, 7-65	4520288	1-16
4460459	7-49, 7-69	4460742	2-151, 7-39, 7-41, 7-49, 7-63, 7-69	4460978	7-39, 7-41	4520289	1-16
4460460	7-38, 7-58	4460743	2-151, 7-41, 7-49, 7-63, 7-69	4460979	7-38, 7-39, 7-41, 7-59	4520290	1-16
4460464	4-13, 7-32, 7-33, 7-35, 7-37, 7-41, 7-54, 7-55, 7-57, 7-59, 7-60, 7-61	4460761	7-32, 7-37, 7-54, 7-60	4460995	7-38	4520328	1-15
4460465	2-142, 2-147, 2-151, 7-33, 7-34, 7-35, 7-38, 7-39, 7-49, 7-55, 7-56, 7-59, 7-61, 7-69	4460789	7-49, 7-69	4460996	7-38	4520341	1-16
4460466	7-33, 7-34, 7-55, 7-56, 7-59, 7-61	4460790	7-49, 7-69	4461001	2-142, 2-147, 2-152	4520344	1-16
4460467	7-50, 7-70	4460792	7-39	4461005	7-38, 7-40, 7-58, 7-61	4520345	1-16
4460470	2-98, 2-102, 4-12, 7-32, 7-36, 7-54, 7-57	4460799	7-39	4461006	7-38, 7-40, 7-58, 7-61	4520346	1-15
4460471	2-98, 2-102, 4-12, 7-32, 7-36, 7-54, 7-57	4460800	7-38	4461008	7-40, 7-59, 7-61	4520355	1-16
4460473	7-33, 7-34, 7-55, 7-56	4460850	7-49, 7-69	4461052	7-38, 7-40, 7-58, 7-61	4520356	1-16
4460476	7-49, 7-69	4460865	7-33, 7-34, 7-55, 7-56	4461053	7-38, 7-40, 7-59, 7-61	4520357	1-16
4460488	2-98, 2-102, 4-12	4460866	7-32, 7-34, 7-37, 7-54, 7-56, 7-60	4461054	7-38, 7-40, 7-58, 7-61	4520427	1-16
4460496	2-102, 7-58	4460871	4-17, 4-18, 4-21, 4-22, 7-32, 7-37, 7-39, 7-41, 7-54, 7-58, 7-59, 7-60, 7-61, 7-62	4461060	7-38, 7-40, 7-58, 7-61	4520428	1-16
4460497	2-102, 7-58	4460873	7-32, 7-37, 7-54, 7-59	4461070	7-38, 7-58	4520601	1-16
4460499	2-9, 2-11, 7-42, 7-62	4460874	2-98, 7-32, 7-36, 7-54, 7-60	4461071	7-37, 7-59	4520602	1-16
4460508	7-32, 7-33, 7-37, 7-54, 7-55, 7-60	4460875	2-98, 7-32, 7-36, 7-54, 7-60	4461072	7-37, 7-59	4520604	1-16
4460509	7-33, 7-34, 7-55, 7-56	4460876	7-37, 7-60	4461073	7-37, 7-59	4566408	5-13
4460510	7-50, 7-70	4460877	7-37, 7-60	4461074	7-37, 7-59	4566425	5-25
4460526	2-98, 2-102, 7-36, 7-57	4460878	7-37, 7-60	4461095	7-38, 7-58	4566468	5-5, 5-17
4460536	7-37, 7-59	4460879	7-32, 7-54	4461109	7-39, 7-59	4566501	5-9
4460539	7-37, 7-38, 7-58	4460880	7-38, 7-39, 7-58	4461111	7-39, 7-59	4566605	2-60
4460579	7-38	4460887	7-32, 7-37, 7-54, 7-60	4461113	7-39, 7-59	4566667	5-15
4460580	7-38	4460891	7-35, 7-38, 7-56, 7-59, 7-61	4461121	7-39, 7-59	4567073	2-29, 2-39
4460582	7-38	4460892	7-36, 7-58	4461122	7-39, 7-59	4567241	3-24, 3-25
4460607	2-142, 2-147, 2-152	4460894	7-36, 7-58, 7-61	4461123	7-39, 7-59	4568116	2-86
4460608	7-39, 7-59	4460897	7-35, 7-41, 7-57, 7-61	4461124	7-39, 7-59	4568119	2-86
4460633	7-46	4460899	7-59	4461157	7-38, 7-59	4568133	1-34
4460634	7-37, 7-60	4460905	2-98, 4-12, 7-32, 7-36, 7-37, 7-54, 7-57, 7-59, 7-60	4461161	7-39, 7-59	4568721	2-29, 2-39
4460635	7-37, 7-60	4460906	2-134, 7-42, 7-63	4461196	7-45, 7-65	4568734	2-130, 2-146
4460693	7-39, 7-59	4460943	7-37, 7-59, 7-60	4461197	7-46, 7-67	4568735	2-130, 2-134, 2-146, 2-150
4460701	7-43, 7-45, 7-63, 7-65	4460944	7-38, 7-58	4461198	7-44, 7-64, 7-65	4569083	2-60
4460705	7-42, 7-63	4460956	2-142, 2-147, 2-152, 7-46, 7-66	4461199	7-45, 7-65	4569092	2-60
4460708	4-12, 7-32, 7-36, 7-54, 7-57	4460957	2-142, 2-147, 2-152, 7-46, 7-66	4461200	7-46, 7-67	4569171	2-51
4460709	7-45, 7-65	4460958	2-137, 2-146, 2-150, 7-47, 7-68	4461201	7-44, 7-64, 7-65	4569173	2-60
4460710	7-45, 7-66	4460959	7-45, 7-66	4461202	7-45, 7-65	4569177	2-33
4460713	7-38	4460960	7-45, 7-65	4461203	7-46, 7-67	4569203	2-60
		4460961	7-42, 7-63	4461204	7-44, 7-64, 7-65	4569342	2-68
				4461205	7-45, 7-65	4569371	2-33, 2-43
				4461206	7-46, 7-67	4569384	2-68
				4461207	7-44, 7-64, 7-65	4569385	2-65, 2-72, 2-86
				4461222	7-59	4640113	1-16
				4461244	7-44, 7-64, 7-65	4640261	1-34
				4461245	7-44, 7-64, 7-65	4640438	5-13
				4461246	7-44, 7-64, 7-65	4640509	5-5, 5-9, 5-11, 5-13, 5-15, 5-27
				4461249	7-45, 7-65	4640605	5-9, 5-15
				4461250	7-46, 7-67	4640647	5-27
				4520283	1-16	4640744	2-83, 6-11
						4640750	2-29
						4640751	2-51
						4640858	5-3
						4640862	5-25
						4640866	2-3
						4640908	2-3
						4640921	2-4, 2-11
						4640922	2-4, 2-11



# SECTION 11 PARTS NUMBER INDEX

Part Number	Page	Part Number	Page	Part Number	Page	Part Number	Page
4640929	3-35	4740500	2-117	4791400	2-39, 2-51, 2-68, 2-75, 2-139, 2-146	4892600	3-4, 3-10, 3-15, 3-20
4640932	5-6	4740543	1-4			4920385	2-61, 2-68, 2-75
4640952	2-68, 2-75	4750600	2-141, 2-147, 2-151	4791600	1-29	4921829	7-43, 7-63
4640989	2-60, 2-68	4750800	2-86	4811400	7-45, 7-66	4921927	2-4, 7-42, 7-62
4640999	5-27	4751000	1-34, 2-105, 2-112, 2-113, 2-116, 2-117, 2-118, 2-123, 2-127, 2-130, 2-134, 4-3, 4-13	4811600	2-41, 2-123, 2-127	4921928	2-4, 7-42, 7-62
4641022	2-85			4811700	2-41, 4-4	4921954	7-43, 7-63
4641097	2-3, 2-7			4811900	2-30, 2-39, 2-41, 2-122, 2-134, 2-140, 2-151	4921957	7-43
4641108	2-3					4922493	7-33, 7-55
4641139	3-35			4812000	2-41, 2-60	4922494	7-34, 7-56
4641284	6-5			4812100	2-30, 2-39, 2-41, 2-123	4922637	7-36, 7-58
4641307	6-3	4751400	2-29, 2-31, 2-39, 2-40, 2-47, 2-51, 2-52, 2-59, 2-60, 2-66, 2-68, 2-73, 2-75, 2-98, 2-102, 2-103, 2-106, 2-112, 2-116, 2-139, 3-4, 3-9, 3-13, 3-14, 3-18, 3-20, 3-28, 3-35, 3-36, 4-5, 4-12, 4-27, 8-4, 8-12, 8-18			4922639	4-12, 7-32
4641319	5-3			4812200	2-51	4922641	2-142, 2-147, 2-152, 7-42, 7-49, 7-63, 7-69
4641390	5-3			4831900	2-52, 2-60, 2-68, 2-75	4922643	7-42, 7-62
4641409	1-29			4832000	2-30, 2-39, 2-60	4922666	4-13, 7-32, 7-54
4641410	1-29, 1-30			4844815	3-8	4922737	2-30, 2-31, 7-40
4641436	3-35			4844816	3-8	4922757	2-141, 7-48
4641452	2-3, 2-7			4844817	3-8	4922764	7-49, 7-69
4711400	2-4, 2-47, 2-51, 2-58, 2-60, 2-65, 2-68, 2-72, 2-75, 2-105, 2-130, 2-134, 2-139, 2-146, 2-150, 3-24, 3-35, 4-4, 4-5, 7-45, 7-66			4844958	2-14	4922810	7-34, 7-56
4711500	1-29, 2-4, 2-29, 2-39, 2-58, 2-61, 2-65, 2-72, 2-137, 2-146, 2-150, 3-28, 4-14	4751500	1-34, 2-30, 2-39, 2-47, 2-60, 2-65, 2-72, 2-112, 2-116, 2-123, 2-126, 2-134, 2-138, 3-4, 3-9, 3-14, 3-20, 4-25, 4-27	4844964	2-85	4922811	7-34, 7-56
4711600	2-4, 2-31, 2-39, 2-40, 2-48, 2-51, 2-60, 2-65, 2-68, 2-73, 2-75, 2-113, 2-140, 2-146, 3-23, 3-28			4844969	3-29	4922890	7-35, 7-57
4711700	2-51, 2-130, 2-134	4751600	1-29, 1-31, 2-29, 2-39, 2-41, 2-47, 2-51, 2-58, 2-60, 2-65, 2-68, 2-75, 2-85, 2-86, 2-89, 2-93, 2-112, 2-113, 2-116, 2-117, 2-118, 2-119, 2-122, 2-126, 2-130, 2-150, 3-24, 4-5, 5-25	4844972	3-30	4922891	7-35, 7-56
4711800	2-109, 2-139, 2-146, 2-150, 4-9			4844978	3-29	4922892	4-6, 7-34, 7-49, 7-56, 7-69
4711900	2-51			4844979	3-30	4922893	7-34, 7-56
4740016	1-5			4844983	3-24	4922894	4-6, 7-34, 7-49, 7-55, 7-69
4740036	1-34			4844984	3-25	4922895	7-34, 7-56
4740076	2-112, 2-116			4845163	2-109	4922896	7-35, 7-57
4740111	1-33			4845194	2-112, 2-117	4922905	2-146, 2-147, 7-48
4740155	1-33			4845203	2-112, 2-116	4922925	2-140, 2-151, 7-48, 7-68
4740158	1-3, 1-4, 1-9			4845395	2-51	4922968	7-41
4740171	2-112, 2-116			4845404	2-51, 2-60	4922970	7-42
4740184	1-33			4845414	2-112, 2-116	4923212	7-36, 7-38
4740256	1-4, 1-10, 1-13			4846005	3-3	4923223	7-36, 7-37
4740274	2-29, 2-39, 2-51, 2-60, 2-68, 2-75			4846006	3-8	4923224	2-102, 7-36, 7-39, 7-57, 7-58
4740283	1-5			4846295	1-34	4923226	7-36, 7-38
4740362	2-105, 4-5			4846296	1-34	4923227	7-36, 7-38
4740393	1-15			4846452	4-3	4923231	7-36, 7-37
4740397	2-123, 2-127, 2-130, 2-134, 4-6			4846561	4-6	4923379	2-52, 7-41, 7-62
4740439	3-8, 3-19			4846566	2-51	4923420	2-151, 7-48, 7-69
4740444	2-98, 2-102			4846573	3-4, 3-10	4923445	7-42, 7-63
4740463	1-4, 1-10, 1-13			4846673	4-3, 4-27	4923462	7-33, 7-34, 7-55, 7-56
				4846790	2-30, 2-39	4923472	7-33, 7-55
				4846805	2-30, 2-39	4923473	7-34, 7-56
				4846806	2-60	4923474	7-34, 7-56
				4891500	2-130	4923475	7-34, 7-56
				4891600	2-31, 2-40, 2-49, 2-52, 2-59, 2-66, 2-73, 2-109, 2-130, 2-134, 2-146, 2-151, 3-4, 3-10, 3-14, 3-20	4923476	7-34, 7-56
						4923492	7-36, 7-38
						4923500	7-35, 7-56
						4923501	7-35, 7-57
						4923575	7-36, 7-37
						4923576	7-36, 7-38
						4923591	7-37
						4932986	7-2

## SECTION 11 PARTS NUMBER INDEX

Part Number	Page	Part Number	Page	Part Number	Page	Part Number	Page
4932990	7-2	70001017	2-29, 2-38, 2-50	70002075	2-25	70002756	5-23
4932993	7-2	70001051	2-33, 2-42	70002088	2-138, 2-145, 2-149	70002757	5-23
4933218	7-2	70001100	2-138, 2-146, 2-150	7000209	2-17	70002761	2-34, 2-42
4933219	7-2	70001103	2-85	7000213	2-25	70002762	2-34, 2-42
4933263	7-2	70001119	1-19	7000214	2-17	70002763	2-33, 2-43
4933264	2-141, 7-2, 7-48	70001120	2-33, 2-42	7000216	1-19	70002764	2-34, 2-42
4933283	2-147, 7-2, 7-48	70001126	2-54	7000217	2-17, 2-24	70002765	2-34, 2-42
4933300	7-2, 7-42	70001248	2-90, 2-93, 2-94	70002200	2-54	70002766	2-34
4933308	7-2, 7-49, 7-69	70001249	2-90	70002208	2-21	70002767	2-34
4933312	7-2	70001384	2-138, 2-146, 2-150	70002209	2-3	7000281	1-20, 2-25
4933319	7-3, 7-36	70001385	2-138, 2-146, 2-150	70002212	2-90, 2-93, 2-94	70002818	2-142, 2-152
4933329	7-3, 7-36	70001435	2-53	70002234	2-54	70002819	2-142, 2-152
4933330	7-3, 7-36	70001690	2-61	70002243	2-21	70002820	2-142, 2-152
4933331	7-3, 7-36	70001696	2-139, 2-145, 2-149	70002255	2-139, 2-145, 2-149	70002821	2-142, 2-152
4933349	2-151, 7-2, 7-48, 7-69	70001697	3-33	7000228	2-17, 2-24	70002822	2-142, 2-152
4933350	7-2, 7-42, 7-62	70001742	2-33, 2-42	7000229	2-17, 2-24	70002823	2-142, 2-152
4933354	7-3, 7-36	70001847	2-54	70002290	2-138, 2-146, 2-150	70002824	2-142, 2-152
4933361	7-3, 7-36	70001850	2-53	70002297	2-138, 2-145, 2-149	70002825	2-142, 2-152
4933362	7-3, 7-36	70001866	2-53	7000230	2-17, 2-24	70002826	2-142, 2-152
4933363	7-3, 7-36	70001868	2-53	70002307	2-61	70002833	2-32, 2-42
70000045	2-53	70001870	2-54	7000242	2-17	70002834	2-32, 2-42
70000122	2-121, 2-125	70001872	2-54, 7-41, 7-61	7000246	2-17, 2-24	70002835	2-32, 2-42
70000123	2-121, 2-125, 2-129, 2-133	70001941	2-105	70002460	2-138, 2-145, 2-149	70002841	2-34
70000124	2-122, 2-126, 2-129, 2-133	70001953	2-138, 2-146, 2-150	7000248	2-24	70002843	2-32, 2-42
70000125	2-122, 2-126, 2-129, 2-133	70001966	2-138, 2-145, 2-146, 2-149, 2-150	7000253	2-17, 2-24	70002844	2-32, 2-42
70000126	2-122, 2-126, 2-129, 2-133, 9-2	70001969	2-138	7000255	2-17, 2-24	70002845	2-34, 2-42
70000127	2-122, 2-126, 2-129, 2-133	70001970	2-138	7000256	2-17	70002846	2-34, 2-42
70000164	2-67, 2-75	70001971	2-138	7000257	2-17, 2-24	70002847	2-32, 2-42
70000264	2-54	70001972	2-139	7000258	2-17	70002848	2-32, 2-42
70000342	3-33	70001973	2-139, 2-146, 2-150	7000263	2-17, 2-24	70002849	2-32, 2-42
70000345	2-54	70001974	2-139, 2-145, 2-149	7000269	2-17	70002850	2-32, 2-42
70000579	2-7	70001976	2-7, 2-9, 2-11	7000270	2-17	70002851	2-33, 2-43
70000580	2-8	70001999	3-29, 9-2	70002705	2-29, 2-38	70002852	2-34, 2-43
70000582	2-8, 9-1	70002000	3-29	70002706	2-29, 2-38	70002863	2-33
70000583	2-7	70002001	3-24, 9-1	70002715	2-85	70002895	2-75
70000619	2-140, 2-145, 2-149	70002002	3-24	70002716	2-85	70002902	4-5, 4-13
70000781	1-29	70002011	3-29, 9-2	70002724	4-21	70002903	4-5, 4-13
70000782	1-19, 2-24	70002012	3-29	70002725	4-21	70002904	4-5, 4-13
70000793	2-52	70002063	1-30	70002726	4-21	70002905	4-5, 4-13
70000794	1-27	70002064	1-30	70002727	4-21, 4-22	70002906	4-18
70000795	1-27	70002065	2-24	70002728	4-21	70003001	2-54
70000863	2-138, 2-145, 2-149	70002066	2-24	70002729	4-22	70003002	2-54
70000912	2-53	70002067	2-24	70002730	4-17	70003003	2-54
70000913	2-53	70002068	2-24	70002731	4-17	70003408	1-30
70000914	2-53	70002069	2-25	70002732	4-18	70003454	2-94
70000915	2-53	70002070	2-24	70002733	4-18	70003478	2-53
70000916	2-53	70002071	2-24	70002734	4-18	70003483	4-5, 4-13
70000917	2-53	70002072	2-24	70002735	4-18	70003623	2-54
70000918	2-53	70002073	2-24	70002745	5-23	70003631	2-138, 2-145, 2-149
70000919	2-53	70002074	2-25	70002752	5-23	70003708	2-138, 2-146, 2-150
70000934	2-4			70002753	5-23	70003709	2-138, 2-146, 2-150
				70002754	5-23	70003784	4-12
				70002755	5-23	70004149	2-85
						70004169	2-138, 2-139, 2-145, 2-146, 2-149, 2-150

## SECTION 11 PARTS NUMBER INDEX

Part Number	Page	Part Number	Page	Part Number	Page	Part Number	Page
70004170	2-138, 2-139	7006140	3-29	7011043	2-3	7016422	2-19
70004171	2-138, 2-146, 2-150	7006151	3-29	7011044	2-3	7016423	2-19
70004182	2-29, 2-39	7006152	3-24, 3-29	7011048	2-3	7016424	2-19
7000625	4-5, 4-13	7006158	3-29	7011062	2-3	7016425	2-19
7000663	2-53	7006161	3-29	7011063	2-3	7016426	2-19
7001433	2-79	7007207	2-79	7011064	2-3	7016427	2-19
7001498	2-79	7007208	2-79	7011065	2-3	7016502	3-24
7001625	5-21	7007412	2-80	7011066	2-3	7016510	3-24
7001626	5-21	7007413	2-78	7011067	2-3	7016519	3-29
7001627	5-21	7007414	2-78	7011112	5-6	7016521	3-29
7001629	5-21	7007417	2-78	7011185	5-27	7016822	2-66, 2-73, 7-40, 7-61
7001630	5-21	7007418	2-78	7011328	2-3	7017022	1-20
7001633	5-21	7007419	2-78	7012513	2-121, 2-125, 2-129, 2-133	7017023	2-25
7001909	2-17, 2-24	7007423	2-78	7012514	2-121, 2-125, 2-129, 2-133	7017027	1-19
7001911	2-17, 2-24	7007425	2-78	7012518	2-3, 2-7	7017028	2-25
7001912	2-24	7007435	1-23, 2-78	7012558	2-121, 2-125, 2-129, 2-133	7017070	2-24
7001913	1-19	7007437	1-24, 1-27, 2-78	7012664	2-28, 2-38, 2-50, 2-59, 2-67, 2-74, 9-1	7017072	1-19, 2-24
7001913	1-19	7007438	1-23, 1-27, 2-78	7012679	2-61	7017080	2-24
7001928	2-17	7007439	1-23, 1-27, 2-78	7012766	2-7	7017082	2-25
7001931	2-17, 2-24	7007441	2-78	7012769	2-7, 2-9	7017085	2-25
7001985	2-17, 2-24	7007442	2-78	7012770	2-7, 2-8, 2-9, 2-11, 9-1	7017089	2-17
7001987	2-17	7007444	2-78	7012772	2-7, 2-8, 2-9, 2-11, 9-1	7017093	1-19
7001988	2-17	7007446	1-23, 1-27, 2-78	7012773	2-7, 2-8, 2-9, 2-11	7017095	1-19
70020808	7-61	7007446	1-23, 1-27, 2-78	7012774	2-8, 2-11	7017158	3-33
70020809	7-61	7007452	2-79	7012775	2-8	7017159	3-33
7002821	7-50, 7-70	7007453	2-79	7012776	2-11	7017162	3-33
7002823	7-50, 7-70	7007454	2-79	7012777	2-8, 2-9	7017163	3-33
7002828	7-50, 7-70	7007455	2-79	7012799	2-8, 2-9	7017164	3-33
7003928	4-17	7007457	2-79	7012912	2-8	7017183	3-33
7003933	4-21	7007463	2-79	7012914	2-7, 2-9	7017193	3-33
7003935	4-21	7007464	2-79	7012918	2-7, 2-9	7017410	2-7
7003941	4-21	7007465	2-79	7012941	2-3	7017411	2-7
7003946	4-21	7007466	2-79	7012943	2-3, 9-1	7017418	2-7
7003953	4-17	7007470	2-78	7012944	2-3, 2-7, 9-1	7017420	2-8, 2-11
7003969	4-21	7007472	2-79	7012953	2-7, 2-11, 3-35	7017421	2-11
7003972	4-22	7007474	2-79	7012959	2-3	7017422	2-11
7003973	4-22	7007475	2-79	7012965	2-11	7017423	2-8
7003976	4-17	7007476	2-79	7012967	2-7, 2-9	7017427	2-7
7003977	4-17	7007477	2-79	7012969	2-9	7017428	2-7, 2-8
7003980	4-22	7007478	2-79	7012970	3-35	7017464	2-7
7003982	4-22	7007484	2-79	7012987	2-83	7017496	5-3
7003983	4-22	7007485	2-79	7012988	2-83	7018612	2-13
7003986	4-21	7007487	2-79	7012989	2-7	7018912	2-7, 2-8, 2-9, 2-11
7003989	4-22	7007488	2-79	7012995	2-3	7018941	2-7
7003992	4-17, 4-21	7007489	2-83	7012998	2-7, 2-8, 2-11	7018942	2-11
7003993	4-17, 4-21	7007494	2-79	7013189	2-90, 2-93	7018945	2-11
7003994	4-21	7007496	2-79	7016206	1-16	7018946	2-11
7004035	2-21, 2-25	7007497	2-79, 7-41, 7-61	7016314	2-85	7018948	2-11
7004043	2-21, 2-25	7007498	2-79, 7-41, 7-61	7016322	2-109	7018952	2-9
7004044	2-21, 2-25	7007633	2-17, 2-24	7016328	2-53	7019103	4-21
7004248	2-3	7010103	2-83	7016331	2-53, 9-1	7019110	4-21
7004290	2-3	7010104	2-83	7016374	2-109	7019111	4-17, 4-21
7005881	2-19	7010105	2-83	7016380	2-105	7019112	4-21
7005882	2-19	7010116	2-78, 2-79, 2-80	7016399	4-5	7019114	4-21
7005889	2-19	7010121	2-79			7019115	4-21
7005890	2-19	7010474	2-17, 2-24			7019122	4-17
7005891	2-19	7010488	2-17			7019123	4-17
7005892	2-19	7010492	2-17, 2-24			7019141	4-17
7005893	2-19	7010494	2-17				
		7010542	2-8				
		7010543	2-3, 2-8				

## SECTION 11 PARTS NUMBER INDEX

Part Number	Page	Part Number	Page	Part Number	Page	Part Number	Page
7019142	4-17	7020468	2-53	7022819	4-17, 4-18, 7-41, 7-61	7024598	2-109
7019143	4-17	7020471	2-53			7024704	2-24
7019144	4-17	7020479	2-53	7022822	4-21	7024721	1-20
7019145	4-17	7020487	2-52	7022823	4-21	7024722	1-19
7019147	4-17	7021200	2-78	7022824	4-21	7024723	1-20
7019149	4-17	7021201	2-80	7022825	4-21, 4-22, 7-41, 7-62	7024724	1-19
7019150	4-17	7021202	2-78			7024725	1-19
7019151	4-21	7021203	2-78	7023038	5-21	7024726	1-19
7019154	4-21	7021206	2-80	7023679	7-41	7024727	1-19
7019155	4-21	7021207	2-79	7023681	2-61, 7-41	7024728	1-19
7019160	4-21	7021212	2-79	7023682	2-61	7024729	1-19
7019161	4-21	7021214	2-79	7023683	2-61	7024730	1-19
7019162	4-21	7021217	2-79	7023698	2-61	7024731	1-19
7019164	4-22	7021218	2-79	7023699	2-61	7024732	1-19
7019165	4-22	7021219	2-79	7023910	1-23, 1-27	7024733	1-19
7019166	4-22	7021220	2-79	7023917	1-30	7024734	1-19
7019167	4-22	7021221	2-79	7023933	1-29, 1-30	7024735	1-19
7019168	4-21	7021222	2-79	7023935	1-29, 1-30	7024736	1-19
7019171	4-17	7021223	2-78	7023936	1-29, 1-30	7024737	1-20
7019174	4-17	7021232	2-78, 2-79, 2-80	7023977	2-78	7024738	1-19
7019177	4-17	7021249	1-23, 1-27	7023979	2-79	7024739	1-19
7019194	4-22	7021256	2-78	7024100	2-25	7024740	1-19
7019197	4-17	7021275	1-23, 1-27	7024124	1-19	7024741	1-19
7019656	2-67, 2-74	7021310	2-9	7024125	1-19	7024742	1-19
7019658	2-47, 2-85	7021375	2-7, 2-9	7024127	1-19	7024743	1-20
7019680	2-122, 2-126, 2-129, 2-133	7021625	1-29, 1-30	7024129	1-19	7024744	1-19, 1-20
		7021868	2-61, 9-1	7024134	1-20	7024763	2-25
7019925	2-61	7022133	2-61	7024379	2-21, 2-25	7024764	1-20
7019976	2-61	7022134	2-61	7024380	2-21, 2-25	7024765	1-20
7019977	2-61	7022135	2-61	7024381	2-21, 2-25	7024766	1-20
7019993	2-61	7022139	2-61	7024389	2-21	7024784	2-25
7019994	2-61	7022143	2-61	7024390	2-21, 2-25	7024800	2-80
7019996	2-61	7022147	2-61	7024395	2-21	7024851	2-79
7020020	2-4	7022150	2-61	7024396	2-25	7024853	1-23, 1-27
7020021	2-4	7022155	2-61	7024398	2-50	7024861	1-23
7020108	2-121, 2-125, 2-129, 2-133	7022173	2-61	7024404	2-90, 2-94	7024862	1-23, 1-27
		7022180	2-61	7024439	2-86	7024863	1-23
7020109	2-121, 2-125, 2-129, 2-133	7022302	1-23, 1-27	7024440	2-86	7024864	1-23
		7022311	1-23, 1-27	7024441	2-86	7024865	1-23, 1-27
7020110	2-121, 2-125, 2-129, 2-133	7022313	1-27	7024442	2-86	7024866	1-23
		7022314	1-23, 1-27	7024443	2-86	7024867	1-23, 1-27
7020111	2-121, 2-125, 2-129, 2-133	7022318	1-23	7024444	2-86, 9-1	7024868	1-23
		7022320	1-23	7024445	2-86	7024869	1-23
7020135	1-16	7022321	1-23	7024446	2-86	7024871	1-24, 1-27
7020175	4-12	7022326	1-24, 1-27	7024453	2-21, 2-25	7024879	5-3
7020176	4-12	7022328	1-23, 1-24, 1-27	7024454	2-25	7024892	1-29, 1-30
7020190	2-121, 2-125, 2-129, 2-133	7022368	1-23, 1-27	7024455	2-25	7026188	2-139, 2-145, 2-149
		7022370	1-23	7024456	2-25	7026189	2-89
7020192	2-122, 2-126, 2-130, 2-133	7022371	1-24, 1-27	7024458	2-25	7026197	2-90, 2-93
		7022372	1-23, 1-27	7024484	2-138, 2-145, 2-149	7026199	2-121, 2-125, 2-129, 2-133
7020246	2-97	7022397	1-29, 1-30	7024485	2-138, 2-145, 2-149		
7020408	2-53	7022399	1-29, 1-30	7024486	2-139, 2-145, 2-149	7026503	2-90, 2-93
7020411	2-53	7022808	4-17	7024487	2-145	7026504	2-90, 2-93
7020447	2-53	7022812	4-21, 4-22	7024488	2-140, 2-145, 2-149	7026505	2-90, 2-94
7020449	2-53	7022814	4-17	7024489	2-140, 2-145, 2-149	7026506	2-90, 2-94
7020459	2-54	7022815	4-17, 4-18	7024560	2-50	7026507	2-90, 2-94
7020460	2-54	7022816	4-17	7024561	2-138, 2-146, 2-150	7026508	2-90
7020464	2-53	7022817	4-17	7024565	2-54	7026509	2-90, 2-94
7020465	2-53	7022818	4-17	7024579	2-54	7026510	2-90

# SECTION 11 PARTS NUMBER INDEX

Part Number	Page	Part Number	Page	Part Number	Page	Part Number	Page
7026511	2-90, 2-93	7027003	2-31, 2-47, 2-58, 2-66, 2-73, 7-40, 7-61	85941017	2-47		
7026512	2-90			8770157	2-80		
7026597	2-139, 2-145, 2-149	7027004	2-31, 2-47, 7-40, 7-61	88521205	2-30, 2-39, 2-47, 2-65, 2-72		
7026608	2-53			91083218	2-61, 9-1		
7026631	2-52	7027005	2-58, 7-40	91401281	2-28, 2-39, 2-46, 2-64, 2-72		
7026800	2-33, 2-42	7027006	2-58, 7-40				
7026801	2-33, 2-42	7027007	2-58, 7-40				
7026802	2-33, 2-42	7027015	2-66, 2-73, 7-40, 7-60				
7026803	2-33, 2-42						
7026804	2-33, 2-42	7027016	2-66, 2-73				
7026805	2-33, 2-42	7027017	2-66, 2-73, 7-40				
7026806	2-33, 2-42	7027028	2-41, 7-60				
7026807	2-33, 2-42	7027029	2-41, 7-61				
7026808	2-43	7027033	2-41, 7-61				
7026809	2-33, 2-43	7027236	2-54				
7026810	2-33, 2-42	7027239	2-54				
7026811	2-32, 2-42, 9-1	7027246	2-53				
7026812	2-32, 2-43	7027276	2-54				
7026813	2-32, 2-43	7027400	2-61				
7026814	2-33, 2-43	7027401	2-61				
7026815	2-33, 2-43	7027402	2-61				
7026816	2-34, 2-43	7027403	7-41				
7026817	2-34, 2-43	7027404	2-61				
7026818	2-34	7027405	2-61				
7026819	2-34, 2-43	7027409	2-61				
7026820	2-33, 2-43	7027410	2-61				
7026821	2-43	7027412	2-29, 2-39				
7026822	2-33, 2-43	7027413	2-61				
7026823	2-33	7027419	1-23, 1-27				
7026824	2-33	7027608	2-53				
7026825	2-33	7027609	2-53				
7026826	2-33, 2-43	7027610	2-53				
7026827	2-33, 2-34, 2-43	7027740	1-27				
7026828	2-33, 2-43	7027790	2-54				
7026829	2-33, 2-43	7027791	2-54				
7026830	2-32, 2-42, 9-1	7027792	2-54				
7026831	2-32, 2-43	7027793	2-53, 7-40, 7-61				
7026832	2-34, 2-43	7027794	2-54, 7-41				
7026833	2-32, 2-43	7027795	2-54, 9-1				
7026834	2-32	7027796	2-54, 7-40, 7-61				
7026835	2-32	7027799	2-138, 2-145, 2-149				
7026836	2-32	7027887	2-122, 2-126, 2-130, 2-134				
7026837	2-32						
7026838	2-34	7027965	2-67, 2-75				
7026839	2-32, 2-42	7027972	2-67, 2-75				
7026840	2-32	7027994	2-67				
7026841	2-32	77143013	2-102				
7026842	2-32	80424002	2-24				
7026843	2-32	80934561	2-90, 2-93				
7026844	2-32	8229242	7-60				
7026845	2-34	8303541	2-41				
7026882	2-32	8320270	2-53, 9-1				
7026887	2-33	83304150	2-21				
7026888	2-32	8405009	2-28, 2-39				
7027000	2-31, 2-47, 7-40	8405104	2-28, 2-39				
7027001	2-31, 2-47, 7-40	8406009	2-41				
7027002	2-31, 2-41, 2-47, 2-58, 7-40, 7-61	8406105	2-41				
		8406109	2-42				





3121206



An Oshkosh Corporation Company

Corporate Office  
JLG Industries, Inc.  
1 JLG Drive  
McConnellsburg PA. 17233-9533  
USA

☎ (717) 485-5161

📠 (717) 485-6417

## JLG Worldwide Locations

JLG Industries (Australia)  
P.O. Box 5119  
11 Bolwarra Road  
Port Macquarie  
N.S.W. 2444  
Australia

☎ +61 2 65 811111

📠 +61 2 65 813058

JLG Latino Americana Ltda.  
Rua Eng. Carlos Stevenson,  
80-Suite 71  
13092-310 Campinas-SP  
Brazil

☎ +55 19 3295 0407

📠 +55 19 3295 1025

JLG Industries (UK) Ltd  
Bentley House  
Bentley Avenue  
Middleton  
Greater Manchester  
M24 2GP - England

☎ +44 (0)161 654 1000

📠 +44 (0)161 654 1001

JLG France SAS  
Z.I. de Baulieu  
47400 Fauillet  
France

☎ +33 (0)5 53 88 31 70

📠 +33 (0)5 53 88 31 79

JLG Deutschland GmbH  
Max-Planck-Str. 21  
D - 27721 Ritterhude - Ihlpohl  
Germany

☎ +49 (0)421 69 350 20

📠 +49 (0)421 69 350 45

JLG Equipment Services Ltd.  
Rm 1107 Landmark North  
39 Lung Sum Avenue  
Sheung Shui N. T.  
Hong Kong

☎ (852) 2639 5783

📠 (852) 2639 5797

JLG Industries (Italia) s.r.l.  
Via Po. 22  
20010 Pregnana Milanese - MI  
Italy

☎ +39 029 359 5210

📠 +39 029 359 5845

Oshkosh-JLG Singapore  
Technology Equipment Pte  
Ltd  
29 Tuas Ave 4,  
Jurong Industrial Estate  
Singapore, 639379

☎ +65-6591 9030

📠 +65-6591 9031

Plataformas Elevadoras  
JLG Iberica, S.L.  
Trapadella, 2  
P.I. Castellbisbal Sur  
08755 Castellbisbal, Barcelona  
Spain

☎ +34 93 772 4700

📠 +34 93 771 1762

JLG Sverige AB  
Enkopingsvagen 150  
Box 704  
SE - 176 27 Jarfalla  
Sweden

☎ +46 (0)850 659 500

📠 +46 (0)850 659 534