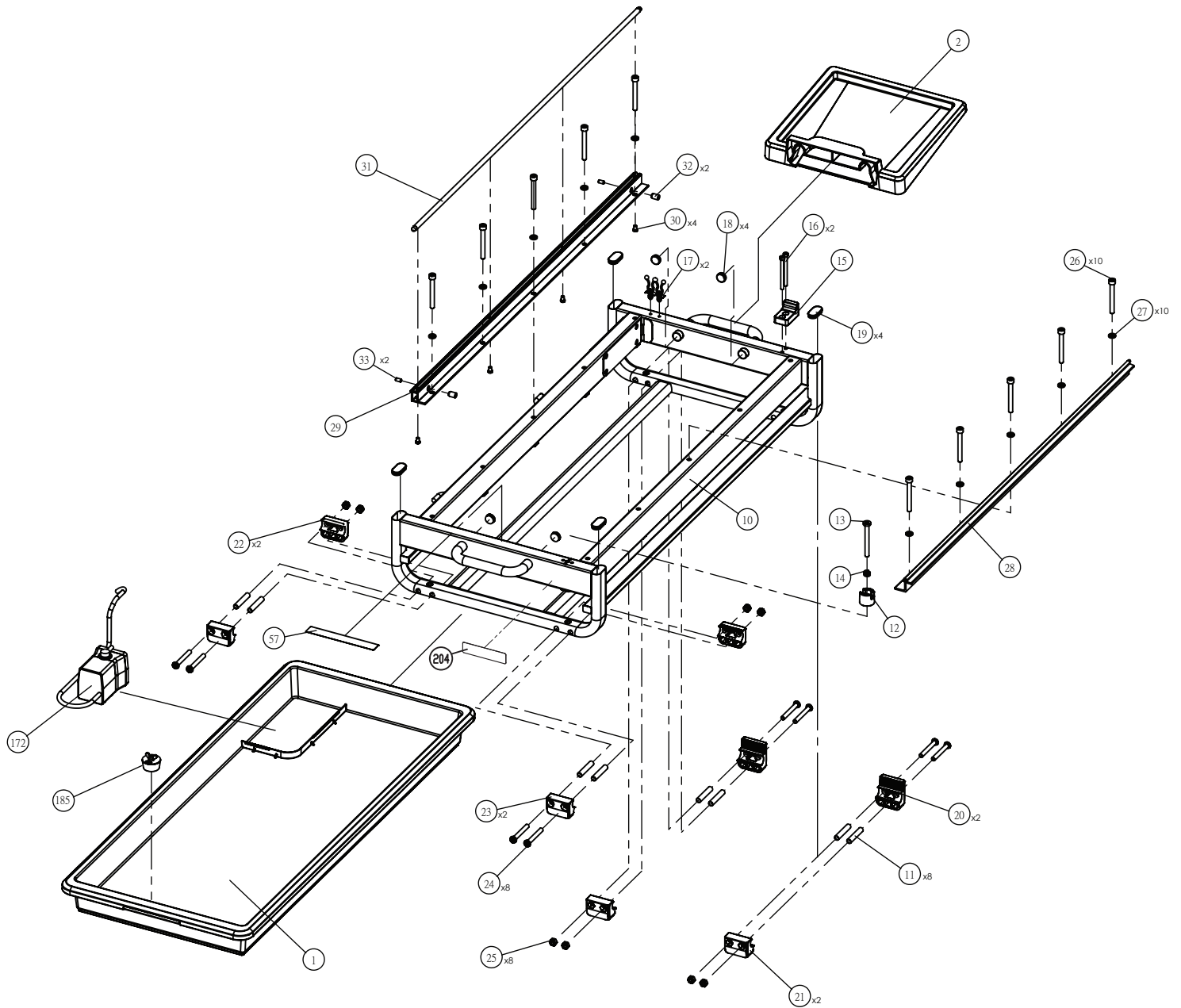


LACKMOND®

WTS-3
PART # DPEC003727
DATE: 07-28-15
REVISED: 09-30-15

MODEL BEAST 10

10 IN TILE SAW

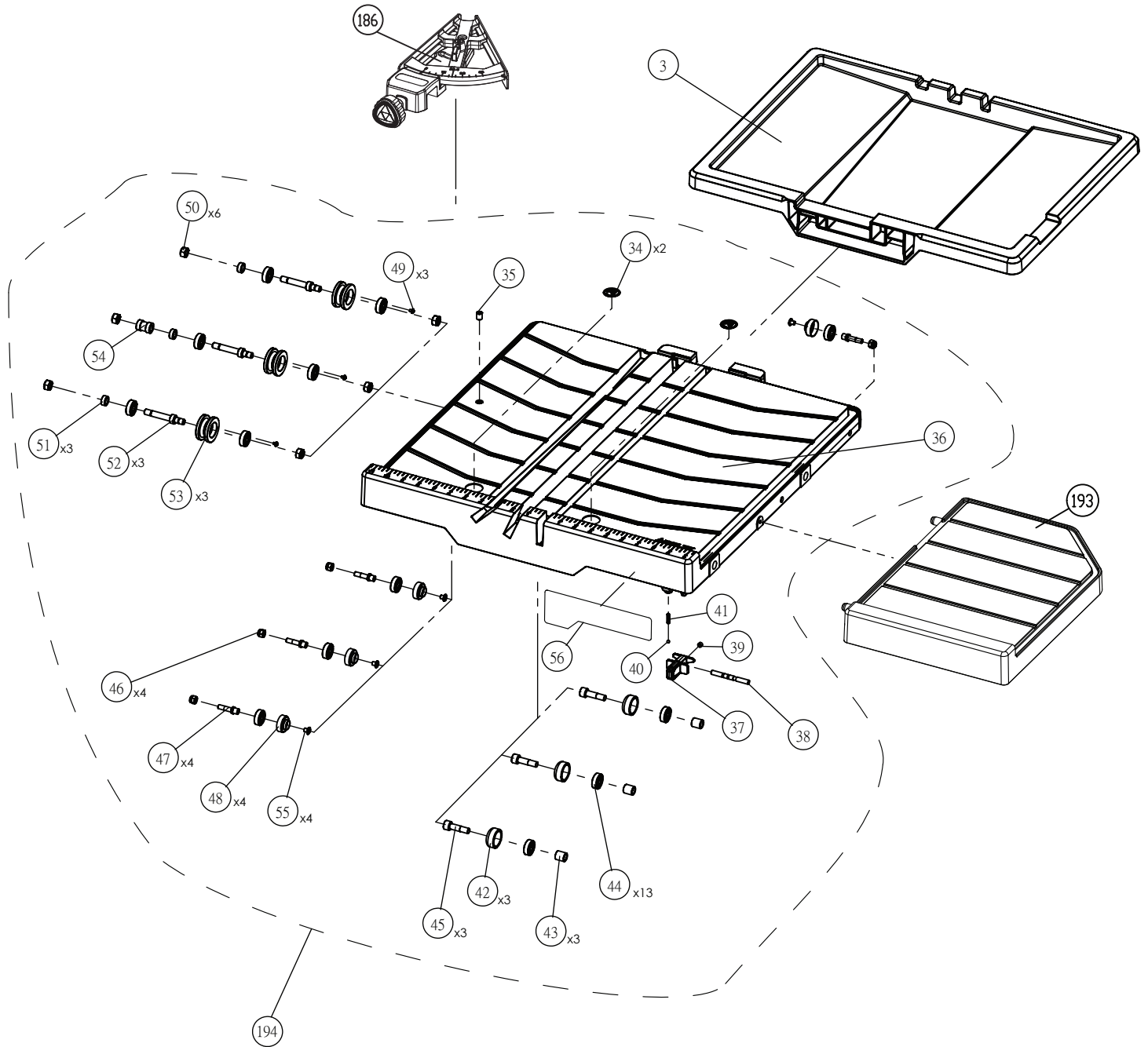


LACKMOND®

WTS-3
PART # DPEC003727
DATE: 07-28-15
REVISED: 09-30-15

MODEL BEAST 10

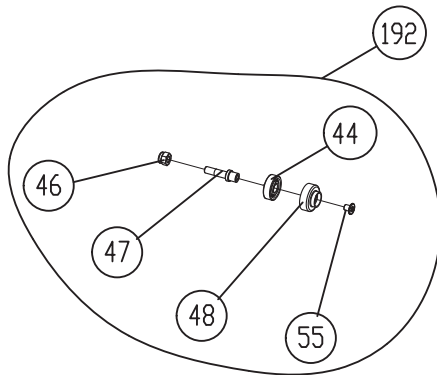
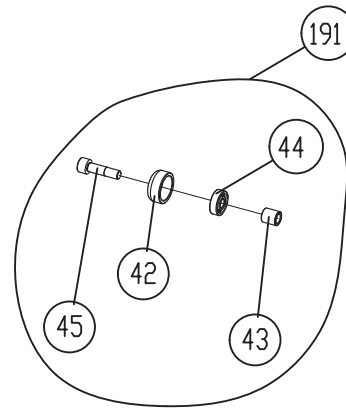
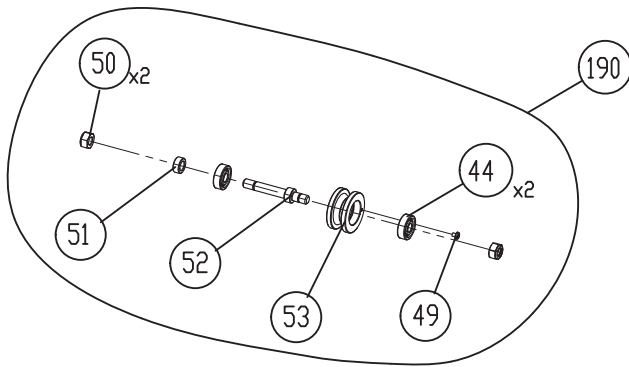
10 IN TILE SAW



MODEL BEAST 10

10 IN TILE SAW

Service Part Roller Assemblies

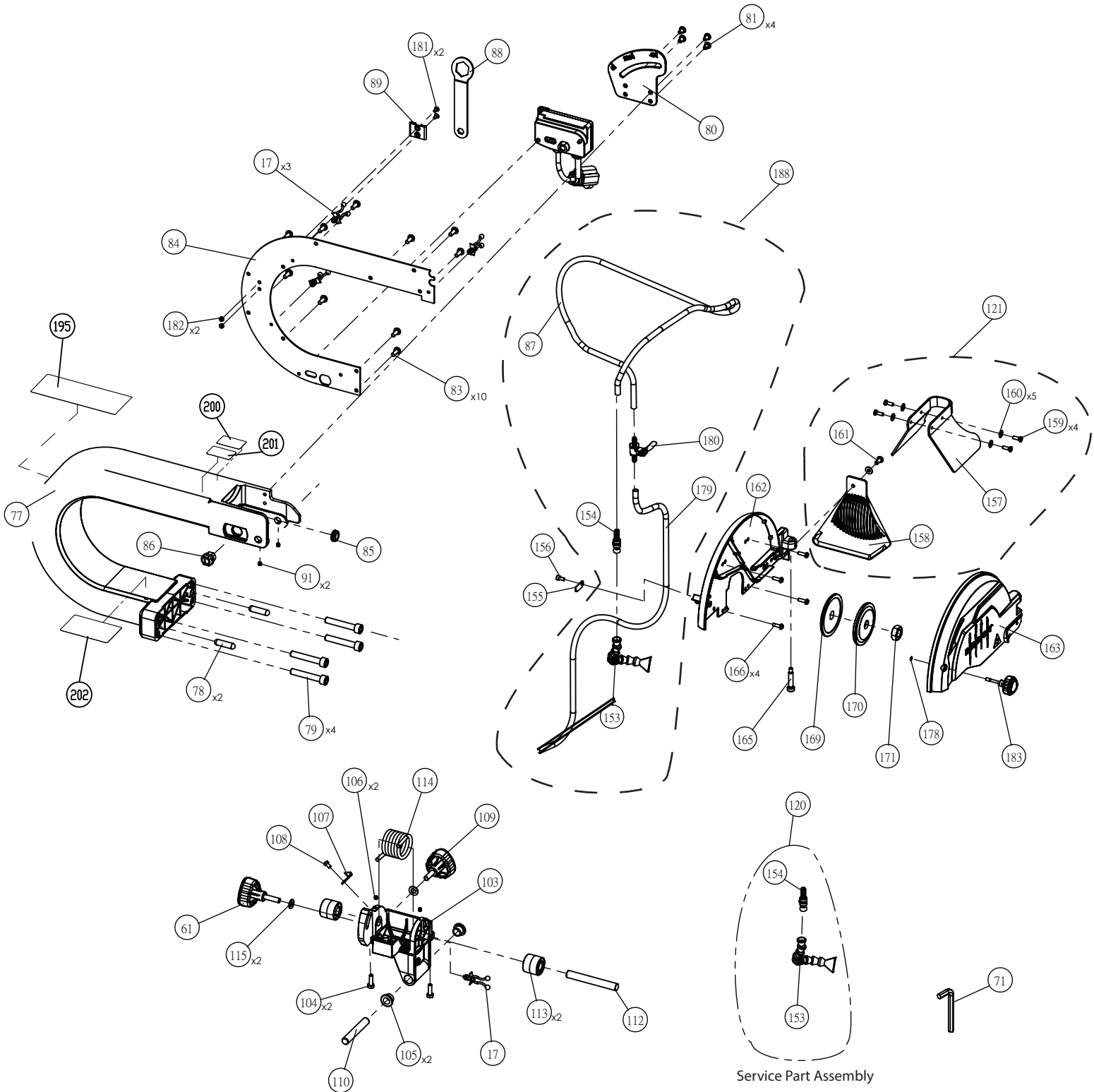


LACKMOND®

WTS-3
PART # DPEC003727
DATE: 07-28-15
REVISED: 09-30-15

MODEL BEAST 10

10 IN TILE SAW

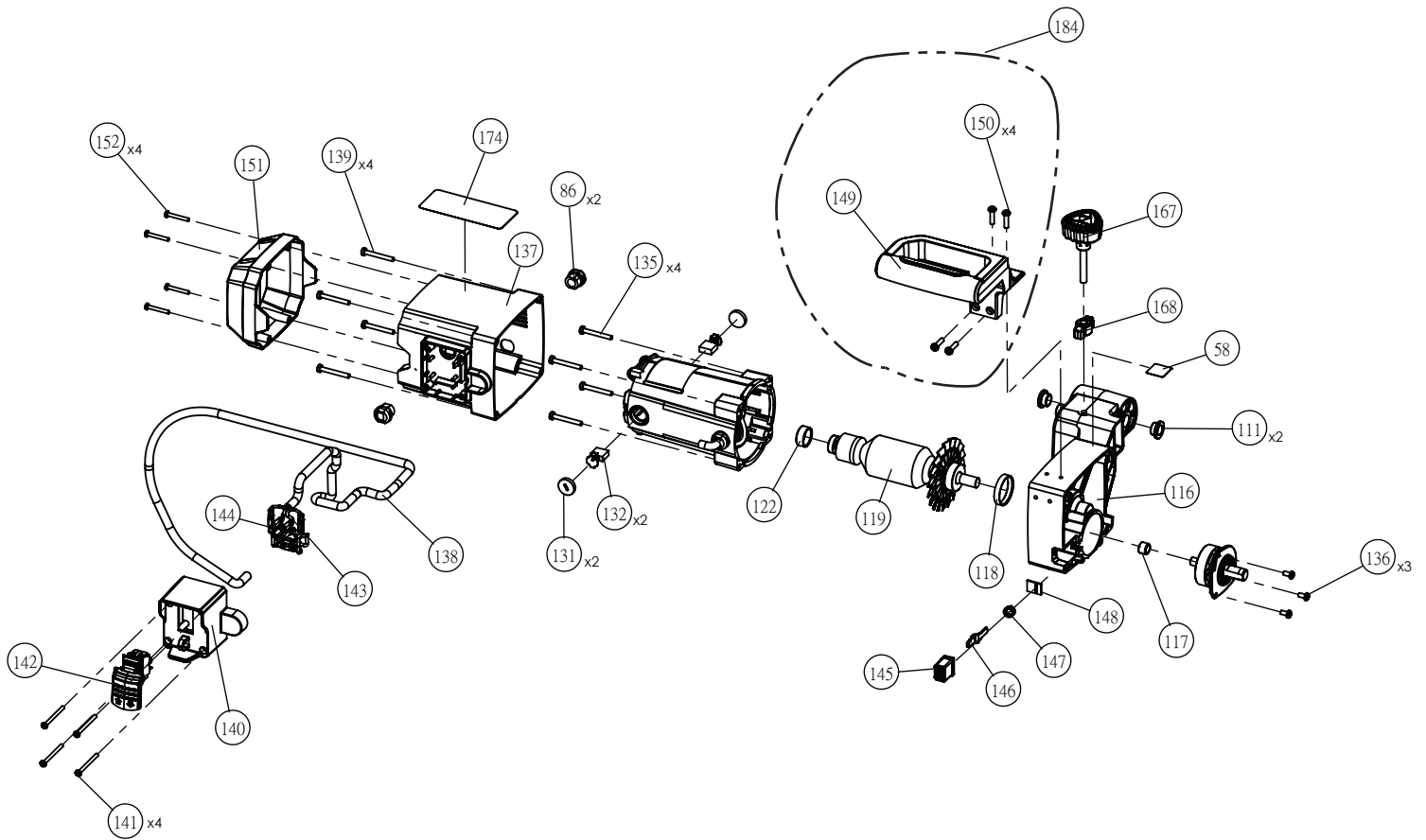


LACKMOND®

WTS-3
PART # DPEC003727
DATE: 07-28-15
REVISED: 09-30-15

MODEL BEAST 10

10 IN TILE SAW

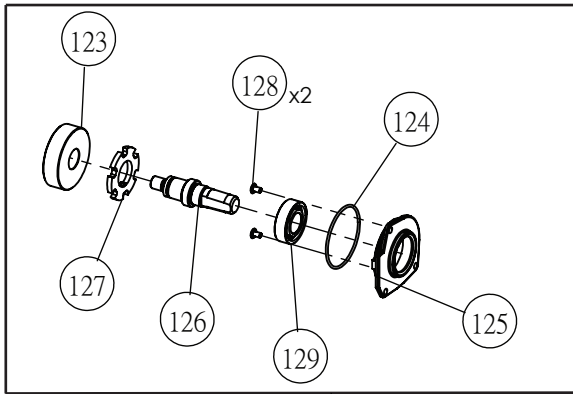


LACKMOND®

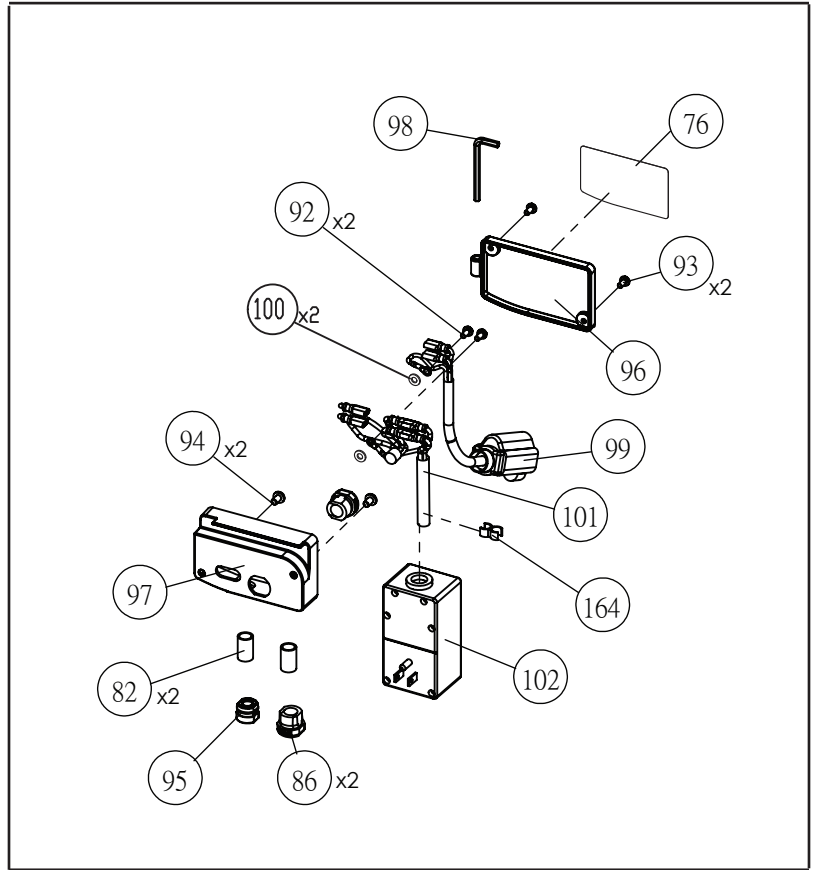
WTS-3
PART # DPEC003727
DATE: 07-28-15
REVISED: 09-30-15

MODEL BEAST 10

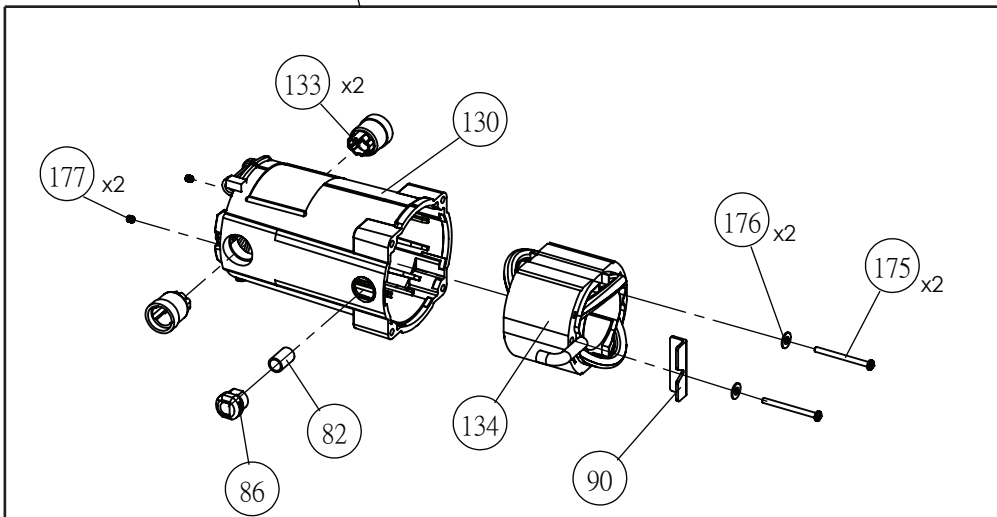
10 IN TILE SAW



189



187



REPLACEMENT PARTS

ITEM #	DELTA PART#	DESCRIPTION	QTY	ITEM #	DELTA PART#	DESCRIPTION	QTY
1	DPEC003866	Water Tray	1	50	**	Lock Nut M8	6
2	DPEC003867	Lower Spill Tray	1	51	DPEC003916	Spacer Ring - Short	3
3	DPEC003868	Upper Spill Tray	1	52	DPEC003917	Shaft	3
185	DPEC003769	Drain Plug Assembly	1	53	DPEC003918	Roller Wheel	3
4	DPEC003869	Drain Plug	1	54	DPEC003919	Bushing	1
5	DPEC003870	Chain	1	55	DPEC003920	T-Head Torx Scrw M5 x 6 mm	4
6	**	Flat Washer 6 x 20 x 1.2T	1	56	DPEC003752	Beast Table - Label	1
7	DPEC003872	Torx Plastic Screw M3x10mm	1	57	DPEC003751	Knob Lock - Label	1
8	**	Torx Screw M6 x 30 mm	1	58	DPEC003748	Depth Stp Adjst - Label	1
9	**	Wing Nut M6	1	186	DPEC004014	Fence Assembly	1
10	DPEC003875	Main Frame Assembly	1	59	DPEC003924	Miter Gage Fence	1
11	DPEC003876	Foot Pad Spacer	8	60	DPEC003925	Miter Gage Base	1
12	DPEC003877	Front Table Stop	1	61	DPEC003871	Position Height Knob	1
13	DPEC003878	Frnt Tbl Stop Scrw M8 x 72mm	1	62	DPEC003873	Miter Gage Wedge Plate	1
14	DPEC003879	Table Stop Spring	1	63	DPEC003874	Miter Gage Lock Knob	1
15	DPEC003880	Rear Table Stop	1	64	DPEC003881	Miter Gage Pivot Pin	1
16	**	Hex Socket Scrw M6 x 70mm	2	65	DPEC003889	Miter Gage Fence Screw	1
17	DPEC003882	Twist Clip	6	66	**	Flat HD Torx Scrw M6x10mm	1
18	DPEC003883	Flat Tube Cap	4	67	**	Hex Nut M6	1
19	DPEC003884	Ellipse Tube Cap	4	68	**	Torx Screw M4 x 8 mm	2
20	DPEC003885	Rear Stop Foot Pad	2	69	DPEC003890	Steel Ball D8	1
21	DPEC003886	Rear Foot Pad	2	70	DPEC003891	Steel Ball Spring D7.8	1
22	DPEC003887	Front Locating Foot Pad	2	71	**	8 mm Allen Wrench	1
23	DPEC003888	Front Foot Pad	2	72	DPEC003892	Extension Table	1
24	**	PN HD Torx Screw M8x60mm	8	73	DPEC003895	Locating Pin	2
25	**	Lock Nut M8	8	74	**	Lock Nut M10	2
26	**	Hex Soc Screw M8 x 70 mm	10	75	DPEC003898	Extension Table Knob Assy	1
27	DPEC004076	Flat Washer 8 x 14 x 3T	10	76	DPEC003750	Beast Logo Label	1
28	DPEC003893	Right Rail	1	77	DPEC003900	Arm Support	1
29	DPEC003894	Left Rail	1	78	DPEC003904	Dowel Pin	2
30	**	Torx Screw M6 x 8 mm	4	79	**	Hex Soc Scrw M10x60 mm	4
31	DPEC003896	Rail Rod	1	80	DPEC003911	Bevel Scale	1
32	DPEC003897	Left Rail Insert	2	81	**	Torx Screw M6 x 10 MM	4
33	**	Set Screw M6 x 12 mm	2	82	DPEC003915	Sleeve	3
34	DPEC003899	Hand Off Label	2	83	**	Torx Screw M6 x 15 mm	10
35	**	Set Screw M8 x 10 mm	1	84	DPEC003921	Arm Cover	1
36	DPEC003901	Worktable	1	85	DPEC003922	Junction Ring	1
37	DPEC003902	Table Lock Knob	1	86	DPEC003923	Strain Relief	6
38	DPEC003903	Fixed Shaft	1	87	DPEC003926	Water Hose - Head	1
39	**	Fixed Screw M5 x 6 mm	1	88	DPEC003927	Blade Wrench	1
40	DPEC003905	Steel Ball 4 mm	1	89	DPEC003928	Blade Wrench Storage Brkt	1
41	DPEC003906	Steel Ball Spring	1	90	DPEC003929	Shroud Plate	1
42	DPEC003907	Guide Wheel	3	91	**	Set Screw M5 x 6 mm	3
43	DPEC003908	Guide Wheel Bushing	3	92	**	Torx Screw M4 x 8 mm	2
44	DPEC003909	Guide Wheel Bearing	13	93	DPEC003930	Torx Plastic Screw M4 x 8 mm	2
45	DPEC003910	Shoulder Screw	3	94	**	Torx Screw M5 x 15 mm	2
46	**	Lock Nut M6	4	95	DPEC003931	Cable Clamp	1
47	DPEC003912	Eccentric Shaft	4	96	DPEC003932	Electrical Box Cover	1
48	DPEC003913	Fixed Wheel	4	97	DPEC003933	Electrical Box	1
49	DPEC003914	Torx Scrw M3 x 3.5 mm D6.3	3	98	**	M4 Hex Wrench	1

** = Item is standard hardware and can be purchased in locale hardware or home improvement stores.

REPLACEMENT PARTS

ITEM #	DELTA PART#	DESCRIPTION	QTY	ITEM #	DELTA PART#	DESCRIPTION	QTY
99	DPEC003934	Pump Power Supply	1	151	DPEC003978	Rear Motor Housing	1
100	**	Tooth Washer M4	2	152	DPEC003979	Torx Plastic Screw M4 x 30	4
101	DPEC003935	Power Cord	1	153	DPEC003980	Flexible Water Hose	1
102	DPEC003936	Circuit Breaker	1	154	DPEC003981	Connector	1
103	DPEC003937	Pivot Bracket	1	155	DPEC003982	Hose Containment Clip	1
104	**	Hex Screw M6 x 20 mm	2	156	**	Hex Soc Screw M5 x 10 mm	1
105	DPEC003938	Bushing	2	157	DPEC003983	Splash Guard	1
106	**	Fixed Screw M4 x 10 mm	2	158	DPEC003984	Rear Splash Guard	1
107	DPEC003939	Pointer	1	159	DPEC003985	SPL Screw M5 x 15 mm	4
108	**	Torx Screw M5 x 8 mm	1	160	**	Flat Washer 6 x 13 x 1T	5
109	DPEC003940	Bevel Scale Knob	1	161	**	Torx Screw M6 x 13 mm	1
110	DPEC003941	Shaft	1	162	DPEC003986	Inner Blade Guard	1
111	DPEC003942	Bushing	2	163	DPEC003987	Outer Blade Guard	1
112	DPEC003943	Arm Pivot Shaft	1	164	DPEC003988	Wire Clamp	1
113	DPEC003944	Spring Sleeve	2	165	DPEC003989	Shoulder Screw M8 x 11 mm	1
114	DPEC003945	Pivot Spring	1	166	**	Torx Screw M5 x 16 mm	4
115	**	Flat Washer 8 x 16 x 2T	2	167	DPEC003990	Depth of Cut Knob	1
116	DPEC003946	Gear Box	1	168	DPEC003991	Plastic Wing Lock Nut	1
117	DPEC003947	Needle Bearing	1	169	DPEC003992	Blade Inner Flange	1
118	DPEC003948	Spacer	1	170	DPEC003993	Blade Outer Flange	1
119	DPEC003949	Armature Assembly	1	171	DPEC003994	Blade Nut	1
120	DPEC003950	Adjustable Hose Assembly	1	172	DPEC003995	Pump Motor Assembly	1
121	DPEC003951	Splash Guard Assembly	1	173	DPEC003996	Miter Gage Lock Knob	1
122	DPEC003952	Plastic Sleeve	1	174	DPEC003747	Spec Plate	1
123	DPEC003953	Drive Gear	1	175	DPEC003997	Plastic Torx Screw M5x75mm	2
124	DPEC003954	O-Ring	1	176	**	Spring Washer M5	2
125	DPEC003955	Bearing Cover	1	177	**	Set Screw M4 x 10 mm	2
126	DPEC003956	Drive Shaft	1	178	DPEC003998	E-Ring E3	1
127	DPEC003957	Fixed Ring	1	179	DPEC003999	Water Hose - 6.35 x 1120 mm	1
128	DPEC003958	T-Head Screw M5 x 6 mm	2	180	DPEC004000	Water Valve	1
129	DPEC003959	Ball Bearing	1	181	**	Flat HD Torx Scrw M4x8mm	2
130	DPEC003960	Motor Housing	1	182	**	Lock Nut M4	2
131	DPEC003961	Brush Cap	2	183	DPEC004001	Blade Guard Lock Knob	1
132	DPEC003962	Carbon Brush	2	184	DPEC004082	Handle Assembly	1
133	DPEC003963	Brush Holder	2	187	DPEC004085	Motor Housing Assembly	1
134	DPEC003964	Stator Assembly	1	188	DPEC004086	Hose Assembly	1
135	**	Torx Screw M5 x 45 mm	4	189	DPEC004087	Drive Shaft Assembly	1
136	DPEC003965	Torx Plastic Screw M5x10mm	3	190	DPEC004088	Roller Wheel Assembly	3
137	DPEC003966	Motor Housing	1	191	DPEC004089	Guide Wheel Assembly	3
138	DPEC003967	Switch Power Cord Assy	1	192	DPEC004090	Fixed Wheel Assembly	4
139	**	Torx Screw M5 x 40 mm	4	193	DPEC004091	Extension Wing Assembly	1
140	DPEC003968	Switch Box	1	194	DPEC004092	Worktable Assembly	1
141	DPEC003969	Torx Plastic Screw M4x50mm	4	195	DPEC004093	Warning Label	1
142	DPEC003970	Switch	1	196	DPEC004094	Specification Label	1
143	DPEC003971	Switch Box Power Cord 1	1	197	DPEC004095	Cutting Capacity Label	1
144	DPEC003972	Switch Box Power Cord 2	1	198	DPEC004096	Bevel Description Label	1
145	DPEC003973	Spindle Lock Button	1	199	DPEC004097	Snake Pipe Label	1
146	DPEC003974	Spindle Lock	1	200	DPEC004098	Bevel Label	1
147	DPEC003975	Spindle Lock Spring	1	201	DPEC004099	Plunge Label	1
148	DPEC003976	Felt	1	202	DPEC004100	Lift Warning Label	1
149	DPEC003977	Handle	1	203	DPEC004111	Miter Gauge Label	1
150	**	Torx Screw M5 x 20 mm	4	204	DPEC004127	Table Lock Label	1

** = Item is standard hardware and can be purchased in locale hardware or home improvement stores.