



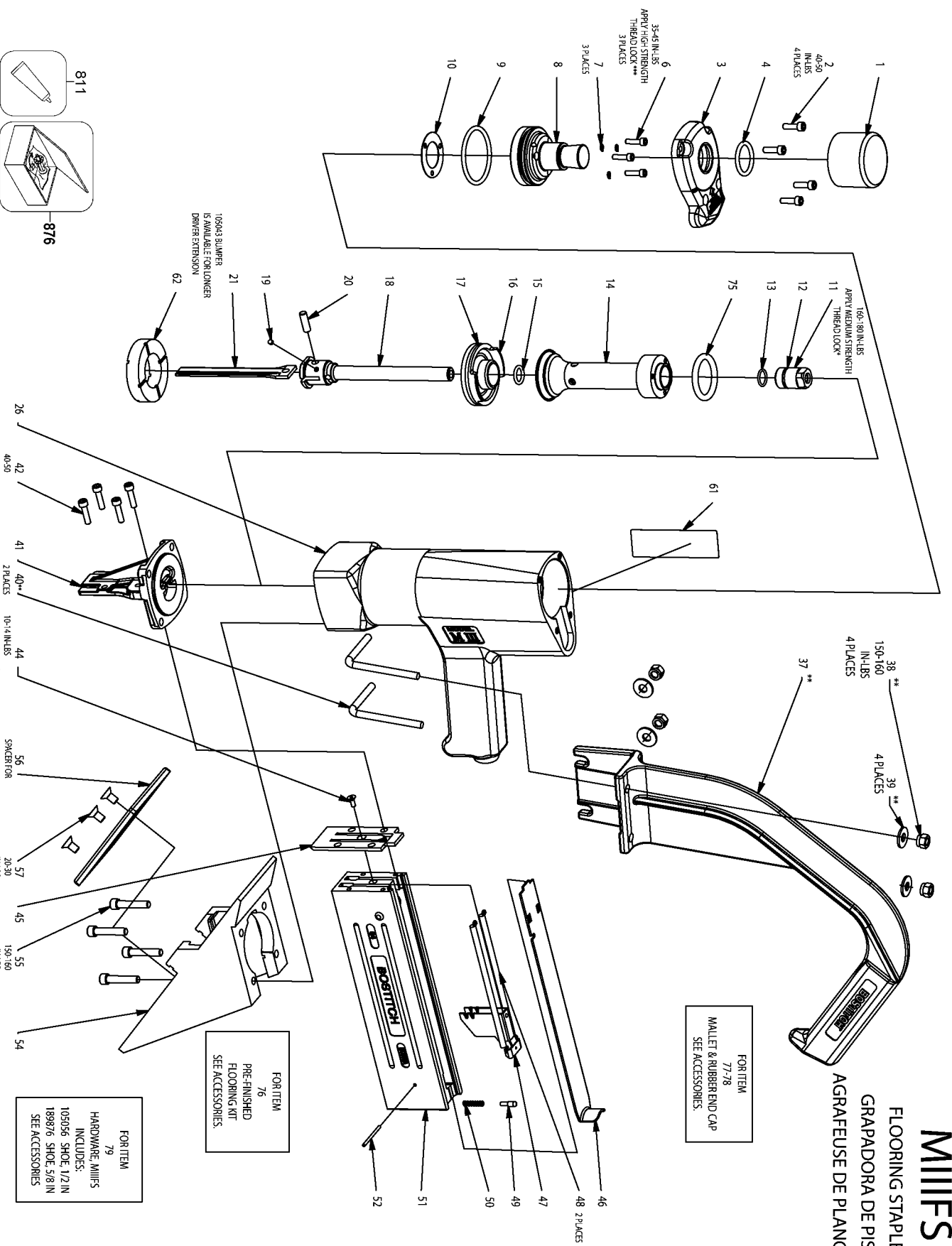
Click Here To View
Item at

www.GapPower.com

*Sales • Rentals
Parts & Service*

MILIFS

FLOORING STAPLER GRAPADORA DE PISOS AGRAFEUSE DE PLANCHER



IP1084-1RW 04/13 TO BE USED WITH PARTS LIST IP1084-2 AND OPERATION AND MAINTENANCE MANUAL 103697.

FOR ITEM 76 PRE-FINISHED FLOORING KIT SEE ACCESSORIES.

FOR ITEM 79 HARDWARE MILIFS INCLUDES: 105056 SHOE, 1/2 IN 189876 SHOE, 5/8 IN SEE ACCESSORIES

*LOCTITE 242 AVAILABLE AS PART # 851385. **ITEMS ARE INCLUDED WITH TOOL, NOT INSTALLED. ***LOCTITE 277 AVAILABLE AS PART # 851325.

FOR ITEM 77-78 MALLET & RUBBER END CAP SEE ACCESSORIES.

Parts List for MIIIFS Type 12 153 0000 and Higher

Item Number	Part Number	Description	Qty Required
1	87502	HAMMER FACE	1
2	UA3810.4	SCREW-10-24 X 5/8 SH	4
3	117524	CAP-FRAME	1
4	88445	O-RING	1
6	UA2810	SCREW-SHCS-8-32X5/8	3
7	LW8.2	LOCK WASHER	3
8	BC1295	POPPET ACTUATOR	1
9	86460	O-RING	1
10	180256	SEAL	1
11	BC703	STEM-PLUNGER - MII	1
12	850144	O-RING-.614X.070	1
13	86458	O-RING	1
14	121800	POPPET	1
15	850143	O-RING-.487X.103	1
16	BC1175	DRIVER PISTON	1
17	850626	O-RING-1.984X.139	1
18	BC1455	PISTON STEM	1
19	BC347	NYLON INSERT	1
20	UB4112.3	PIN- DOWEL .250 X .7	1
21	BC1586	DRIVER	1
26	BC1328AFS	BODY	1
37	BC1619	HANDLE-LONG	1
38	HN1420.4	NUT-ESN-1/4-20	4
39	PW14	WASHER-1/4 USS FLAT	4
40	BC1301	CLAMP SCREW	2
41	177776	NOSE	1
42	UA3816.4	SCREW-SHCS-10-24X1	4

COPYRIGHT© 2005. All Rights Reserved.

Parts list, pricing, and availability subject to change. Please visit www.dewaltservicenetwork.com for current parts information.

Parts List for MIIIFS Type 12 153 0000 and Higher

Item Number	Part Number	Description	Qty Required
42	107166	SCREW-SHCS-10-24X3/4	4
44	UA1806.8	SCREW-SFHCS-6-32X3/8	1
45	BC1298	WEAR PLATE	1
46	BC690	COVER-MAGAZINE	1
47	BC1158	PUSHER	1
48	BC1159	SPRING-EXTENSION	2
49	BC34	MAG.COVER LATCH SHOU	1
50	BC41	SPRING-COVER DETENT	1
51	BC983A	ASSEMBLY-MAGAZINE BO	1
52	UB2822	PIN-SPRING ANCHOR	1
54	BC1300	SHOE	1
55	UA4820.1	SCREW-1/4-20X1-1/4 S	4
56	105055	SPACER-1/4	1
57	UA4808.13	SCREW-SFHCS-1/4-20X1	3
58	86314	O-RING	1
61	182280	WARNING LABEL	1
62	105044	BUMPER	1
66	105056	SPACER-5/16	1
75	121799	O-RING-1.287 X .210	1
77	174236	MALLET-14.5IN GRAPHI	1
78	HFMF-SW	HDWD MALLET FACE	1
79	117487	HARDWARE-MIIIFS	1
80	9R189876	SHOE-5/8 IN.	1
811	851385	LOCTITE	1
811	851325	LOCTITE	1
876	ORK6	REPAIR KIT	1
876	MIISK	REPAIR KIT	1

COPYRIGHT© 2005. All Rights Reserved.

Parts list, pricing, and availability subject to change. Please visit www.dewaltservicenet.com for current parts information.