

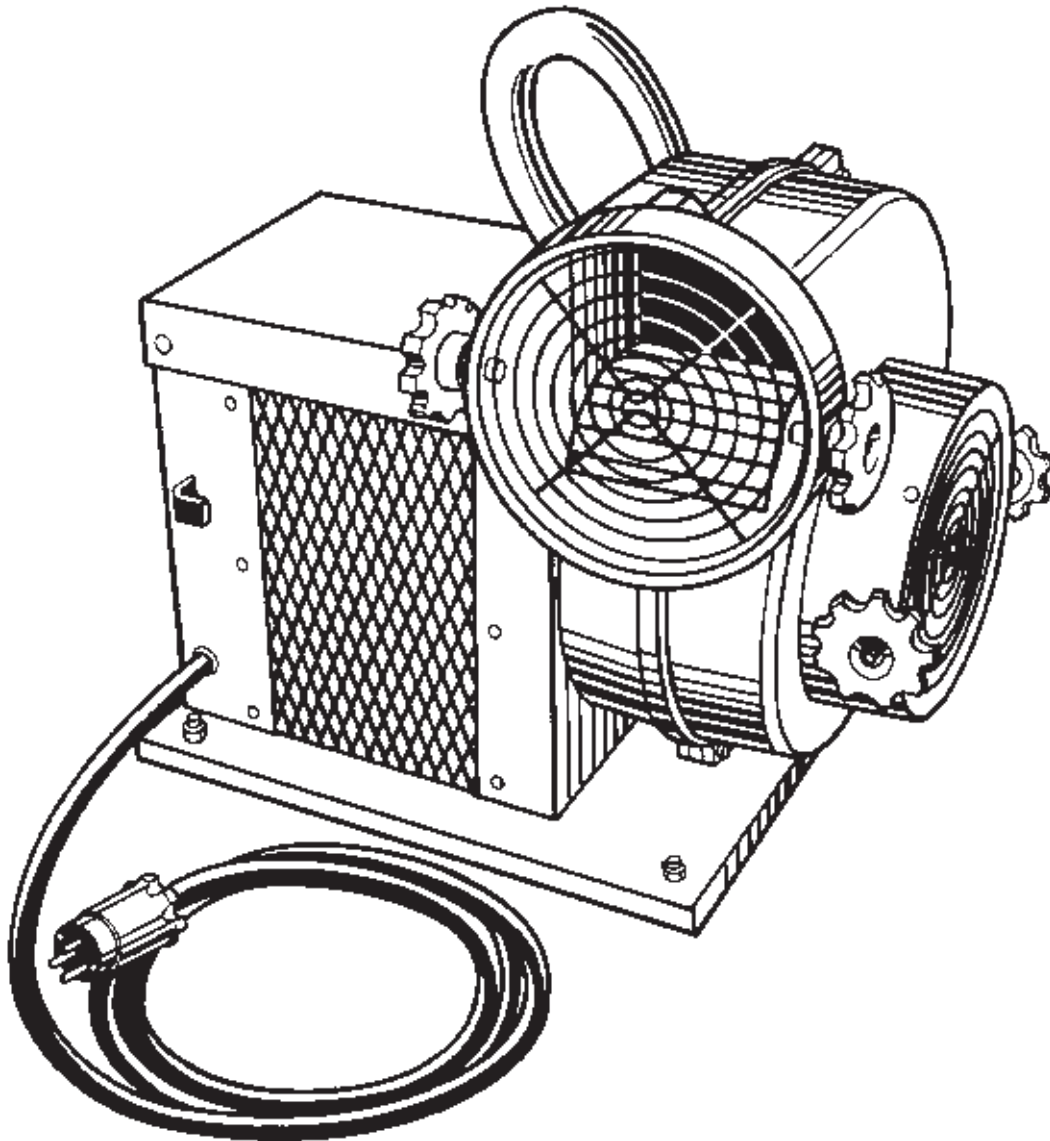


Click Here To View
Item at

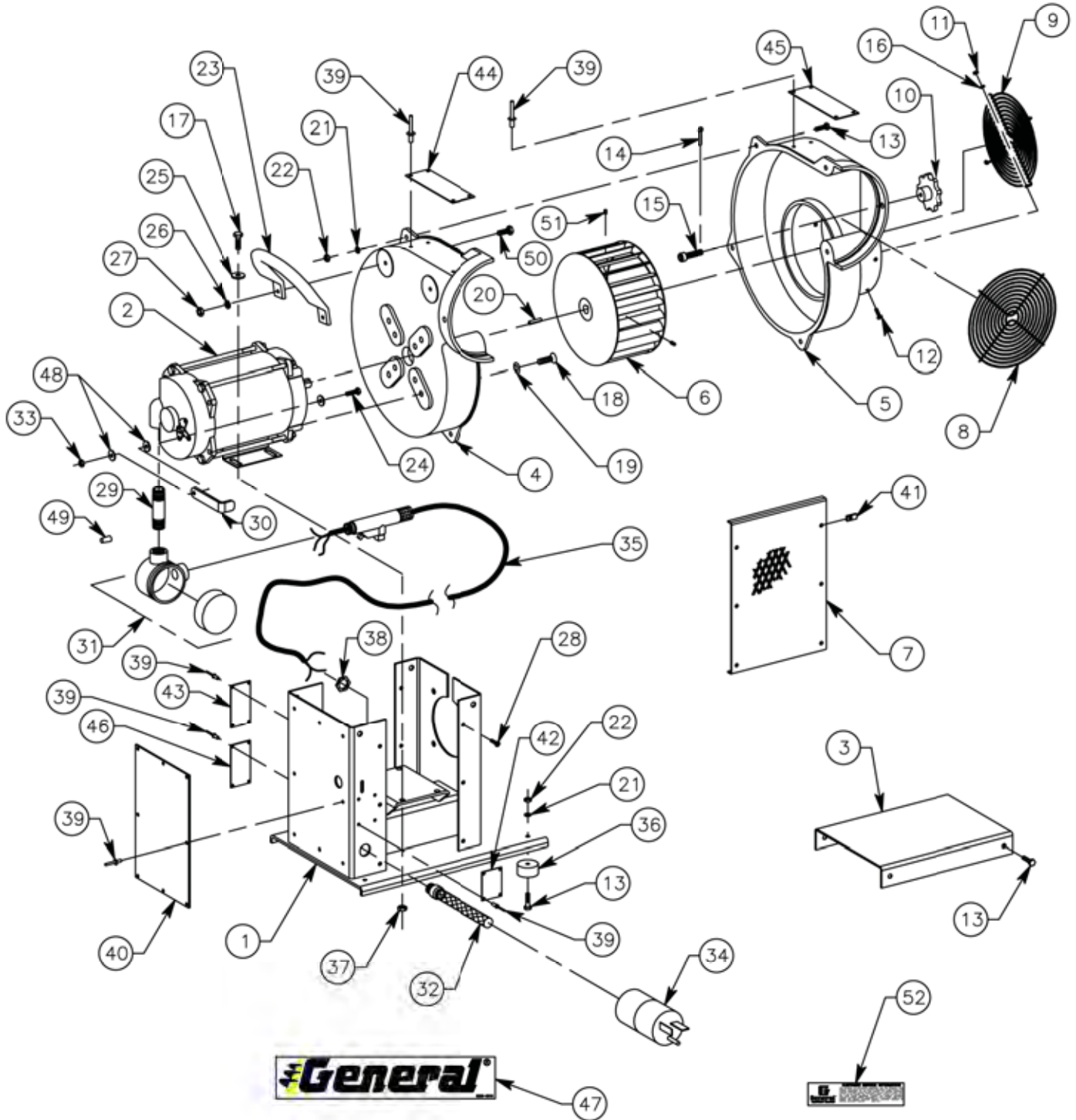
www.GapPower.com

*Sales • Rentals
Parts & Service*

Service Parts Section EP8HL Hazardous Location Ventilation Blower



EP8HL Series Portable Ventilating Blower



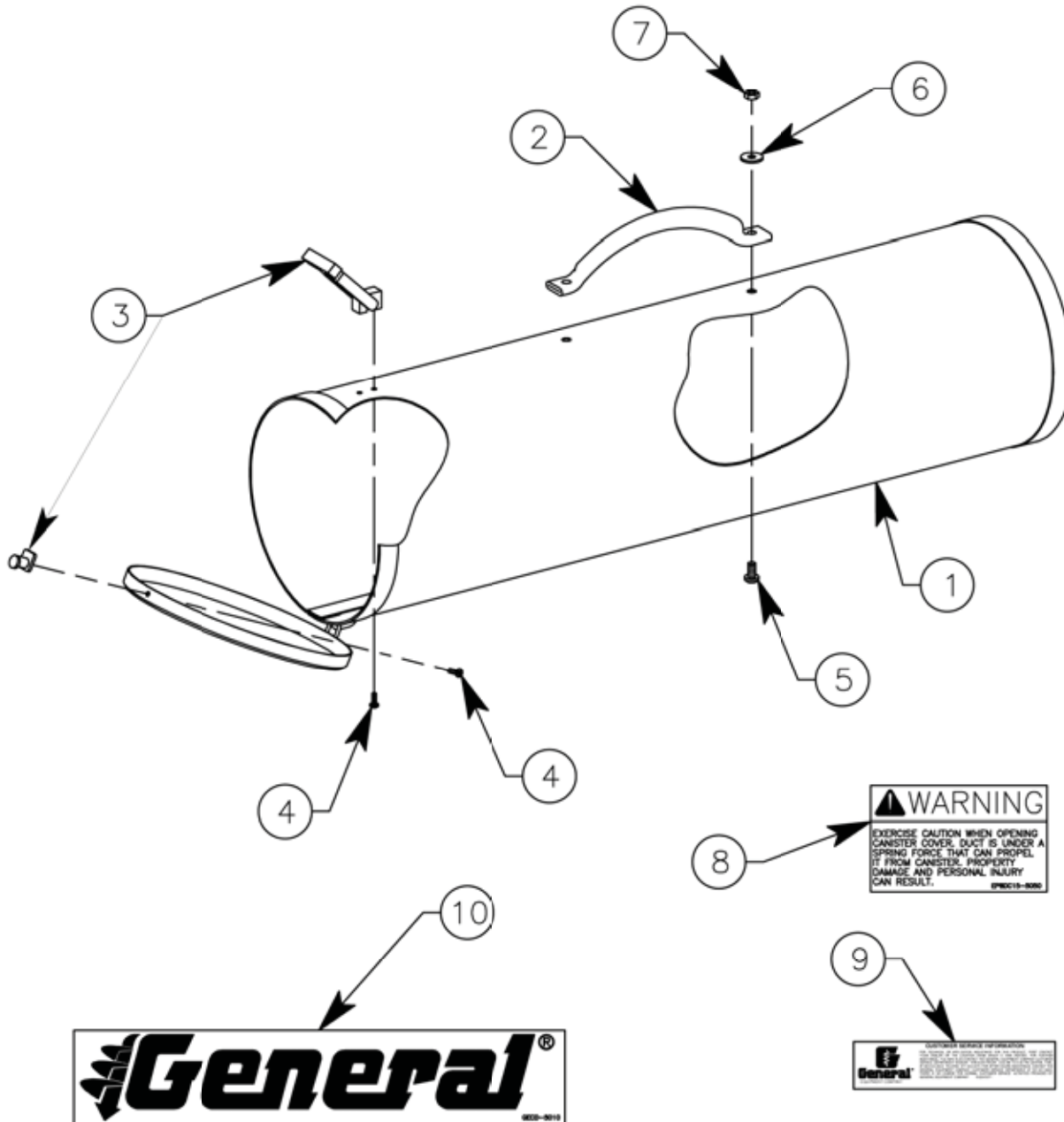
EP8HL Series Portable Ventilating Blower

Reference Number	PART NUMBER	DESCRIPTION	QTY
1	EP8HL-0010	Frame, main	1
2	EP8HL-0140	Motor, Electric, Explosion Proof, 1/3 HP	1
3	EP8HL-0020	Cover, Main Frame	1
4	EP8HL-0080	Housing, Blower, Rear	1
5	EP8HL-0090	Housing, Blower, Front	1
6	EP8-0030	Wheel, Blower, Complete	1
7	EP8HL-0040	Screen, Side Aluminum	2
8	EP8HL-0050	Screen, Outlet, Galvanized	1
9	EP8HL-0060	Screen, Inlet, Galvanized	1
10	EP8HL-0070	Knob, Aluminum	4
11	69030000	Nut, Hexagon, #10-24 UNC, Aluminum	4
12	77030500	Screw, Machine, C/S, #10-24 UNC x 5/8", Aluminum	4
13	70040800	Screw, Cap, 1/4-20 UNC x 1", Aluminum	13
14	76020600	Pin, Cotter, 3/32" x 3/4", Stainless	4
15	EP8HL-0100	Screw, Allen, Special, Stainless	4
16	71030000	Washer, Flat, Number 10, Aluminum	4
17	15050700	Screw, Cap, 5/16-18 UNC x 7/8", Plated, Grade 5	4
18	27061000	Screw, Cap, Socket, C/S, 3/8-16 UNC x 1-1/4"	4
19	28060000	Washer, Lock, Countersunk, 3/8", Plated	4
20	EP8-0100	Key	1
21	58040000	Washer, Lock, External Tooth, 1/4", Plated	10
22	69040000	Nut, Hexagon, 1/4-20 UNC, Aluminum	10
23	EP8HL-0110	Handle, Carry, PVC Dipped	1
24	15040600	Screw, Cap, 1/4-20 UNC x 3/4", Plated, grade 5	1
25	17050000	Washer, Flat, 5/16" Plated	4
26	71050000	Washer, Flat, 5/16", Aluminum	2
27	82050000	Nut, Hexagon, Nylock, 5/16-18 UNC, Stainless	2
28	68030600	Screw, Machine, #10-24 UNC x 3/4", Aluminum	12
29	EP8HL-0120	Nipple, Pipe	1
30	EP8HL-0030	Lever, ON/OFF Switch	1
31	GEML-1	Box, Junction	1
32	073031202	Relief, Strain	1
33	53040000	Nut, Hexagon, Nylock, 1/4-20 UNC, Plated	1
34	EP8HL-1100	Plug, Male	1
35	ZE-156A	Cable, Connecotr Assembly	1
36	EP8-0140	Mount, Rubber	4
37	53050000	Nut, Hexagon, Nylock, 5/16-18 UNC, Plated	4
38	801	Nut, Bulkhead (included with Reference Number 32)	1
39	45020200	Rivet, Pop, 1/8" x 1/4" Grip, Aluminum	28
40	EP8HL-5050	Plate, Information	1

EP8HL Series Portable Ventilating Blower

Reference Number	PART NUMBER	DESCRIPTION	QTY
41	C8119-1024	Nut, Tinnerman, #10-24	12
42	EP8HL-5040	Plate, Switch, ON/OFF	1
43	EP8HL-5130	Plate, Serial Number/Flow Rate	1
44	EP8HL-5021	Plate, Danger, French	1
45	EP8HL-5020	Plate, Danger, English	1
46	EP8HL-5030	Plate, Electrical Information	1
47	GECD-5010	Decal, General	2
48	71040000	Washer, Flat, 1/4", Aluminum	3
49	WIRE NUT Y	Nut, Wire	2
50	81051000	Screw, cap 5/16-18 UNC x 1-1/4", Stainless	2
51	30050400	Screw, Set, 5/16-18 UNC x 3/8", Plain Finish	1
52	SG24-5072	Decal, Assistance	1
53	999-7	Video, Safety and Operational Information, Blower	1

EP8HL Series Portable Ventilating Blowers Hose Storage Cannisters



EP8HL Series Portable Ventilating Blowers Hose Storage Cannisters

Reference Number	PART NUMBER	DESCRIPTION	QTY
1	SCHL8150010-010	Cannister, Blower Duct (For Use On SCHL815 Cannister)	1
	SCHL8250010-010	Cannister, Blower Duct (For Use On SCHL825 Cannister)	1
2	SCHL825-0020	Handle, Hose	1
3	SCHL-0015	Latch, Cannister, With Keeper	1
4	55030400	Screw, Cap, Button Socket Head, #10-24 x 1/2", Plated	2
5	70050800	Screw, Cap, Hexagon Head, 5/16-18 UNC x 1", Aluminum	2
6	71050000	Washer, Flat, 5/16", Aluminum	2
7	69050000	Nut, Hexagon, 5-16-18 UNC, Aluminum	2
8	EP8DC15-5050	Decal, Warning	1
9	SG24-5072	Decal, Assistance	1
10	GECD-5010W	Decal, General	1

