



[Click Here To View](#)
[Item at](#)

www.GapPower.com

*Sales • Rentals
Parts & Service*

MIX N' GO MIXER — SPECIFICATIONS

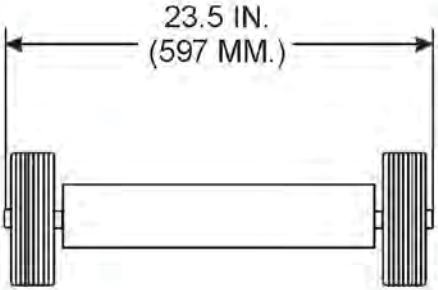
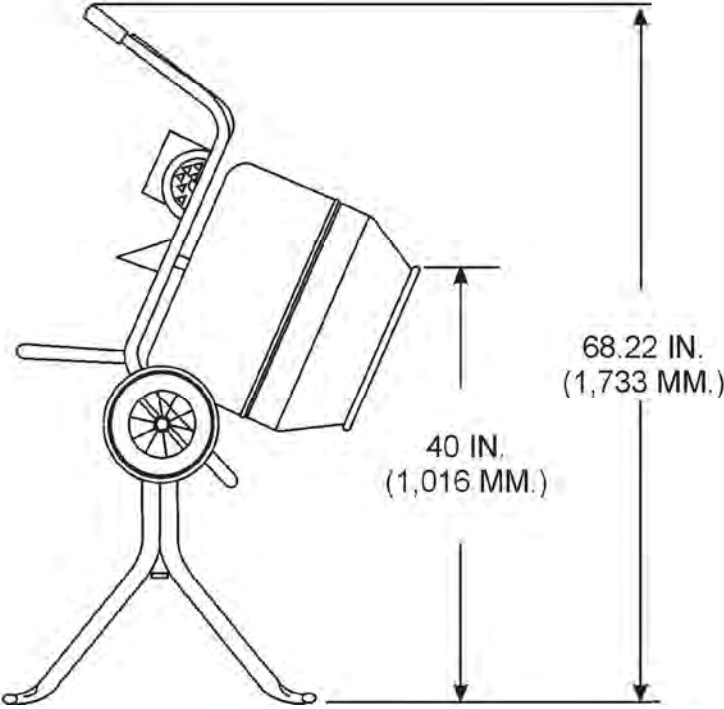
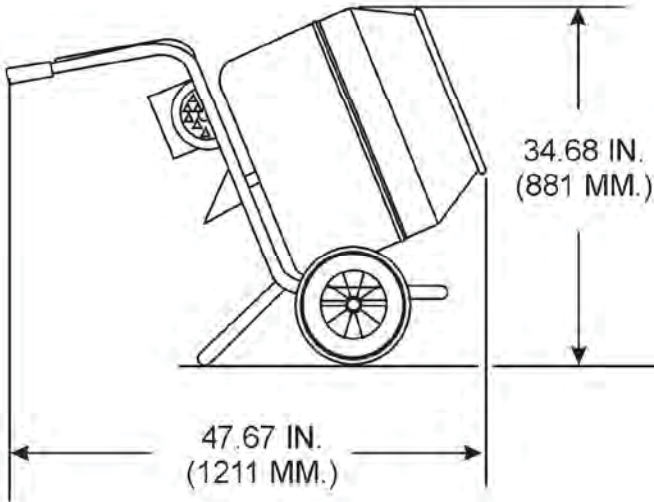
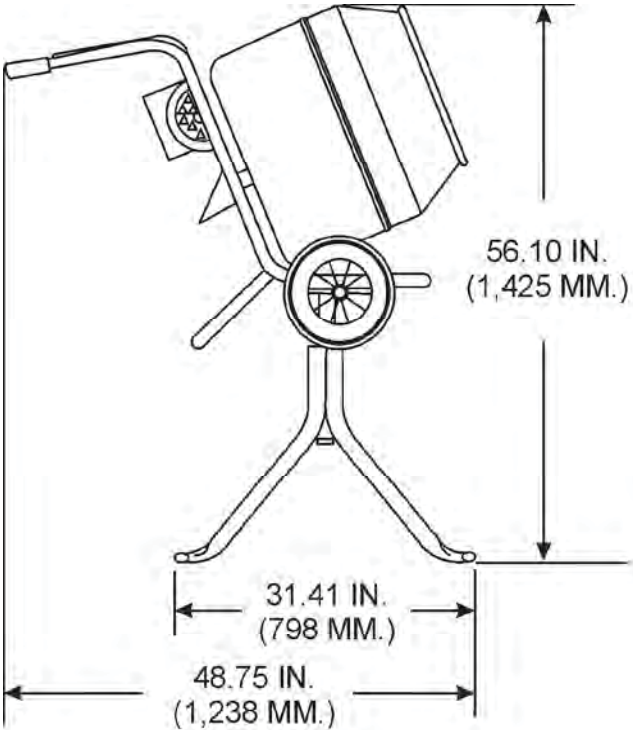
Table 1. Specifications (Engine & Electric Motor)

| | Model | BRIGGS & STRATTON 91200 | BALDOR 17LYE304 |
|------------------------------|-------------------------------|--|--|
| Engine/Electric Motor | Type | 4-stroke, Vertical valve, Single Cylinder | 3/4 HP, 120 VAC, Single Phase Electric Motor |
| | Bore X Stroke | 2.56 in. x 1.75 in. (65.1 mm x 44.4 mm) | N/A |
| | Displacement | 9.0 cu. in. (148 cc) | N/A |
| | Max Output | 3.5 HP at 3,600 R.P.M. | 3/4 H.P./3,450 RPM |
| | Standard Idle Speed | 1,800 ± 100 R.P.M. | N/A |
| | Fuel Tank Capacity | Approx. 0.5 U.S. Gallons (1.89 Liters) | N/A |
| | Fuel | Unleaded Gasoline | N/A |
| | Lube Oil Capacity | 2 U.S. Quarts (1.89 Liters) | N/A |
| | Speed Control Method | Centrifugal Fly-weight Type | N/A |
| | Starting Method | Recoil Start | N/A |
| | Dimensions (L x W x H) | | 12.5 x 11.47 x 12.18 in. (317.5 x 291.4 x 309.4 mm) |
| Dry Net Weight | | 20.3 lbs (9.2 kg) | Approx. 12 lbs. (5.4 Kg.) |

Table 2. Mix N' Go Mixer Specifications

| | |
|-----------------------------------|------------------------------------|
| Height | 34 in. (863.6 mm) |
| Width | 23-5/8 in. (584.2 mm) |
| Length | 48-1/2 in. (1,219.2 mm) |
| Stand Weight | 35 lbs. (15.9 Kg) |
| Maximum Drum Capacity | 4.5 cu. ft. (0.13 m ³) |
| Maximum Mixing Capacity (1/2 bag) | 3.0 cu. ft. (0.08 m ³) |
| Unladen Weight - Electric Motor | 129 lbs. (58.5 Kg) |
| Unladen Weight - Gasoline Engine | 138 lbs. (62.6 Kg) |

MIX N' GO MIXER — DIMENSIONS (MIXER)



MIX N' GO MIXER — DIMENSIONS (ELECTRIC MOTOR)

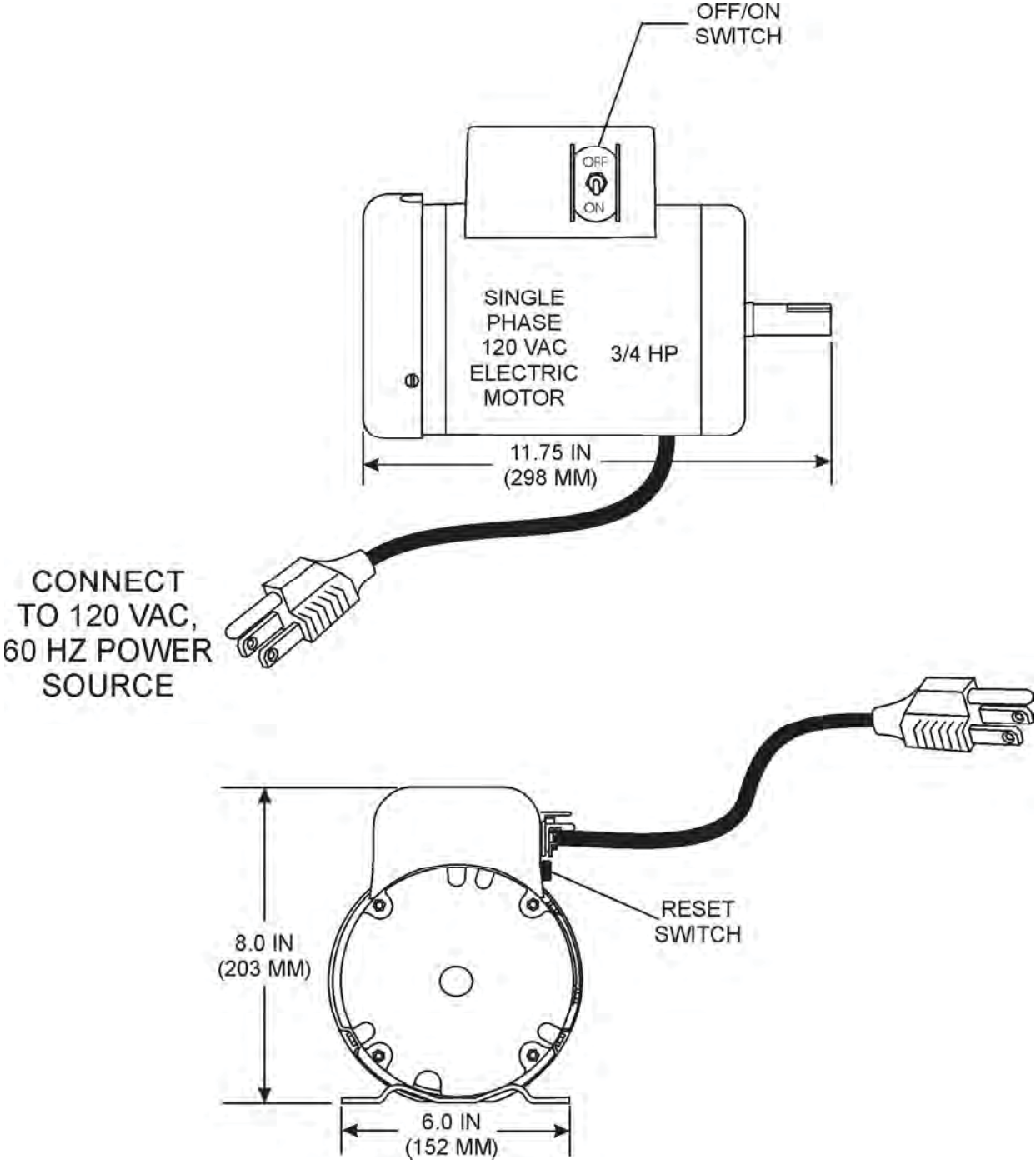


Figure 2. Electric Motor