

# Preparator

Preparator

**66 Inch Preparator**

Bucket Assembly Preparator 66 inch ..... 1  
Drum Assembly Preparator 66 inch ..... 3  
Tube Assembly Preparator 66 inch ..... 5  
Shroud Assembly Preparator 66 inch ..... 7  
Hydraulic Assembly Preparator ..... 9

**76 Inch Preparator**

Bucket Assembly Preparator 76 inch ..... 11  
Drum Assembly Preparator 76 inch ..... 13  
Tube Assembly Preparator 76 inch ..... 15  
Shroud Assembly Preparator 76 inch ..... 17  
Hydraulic Assembly Preparator ..... 19

**Replacement Decals Preparator**

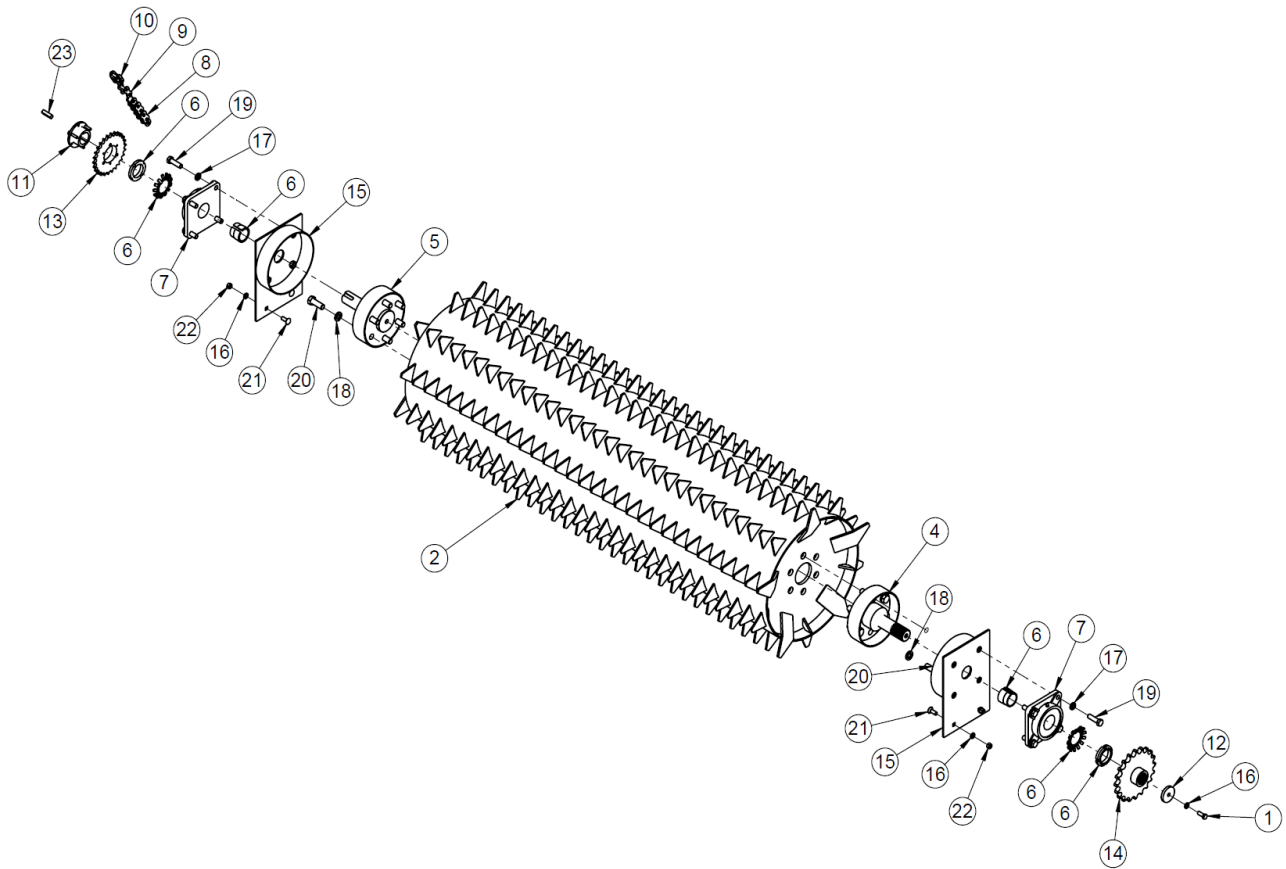
Verbiage Decals Preparator ..... 21





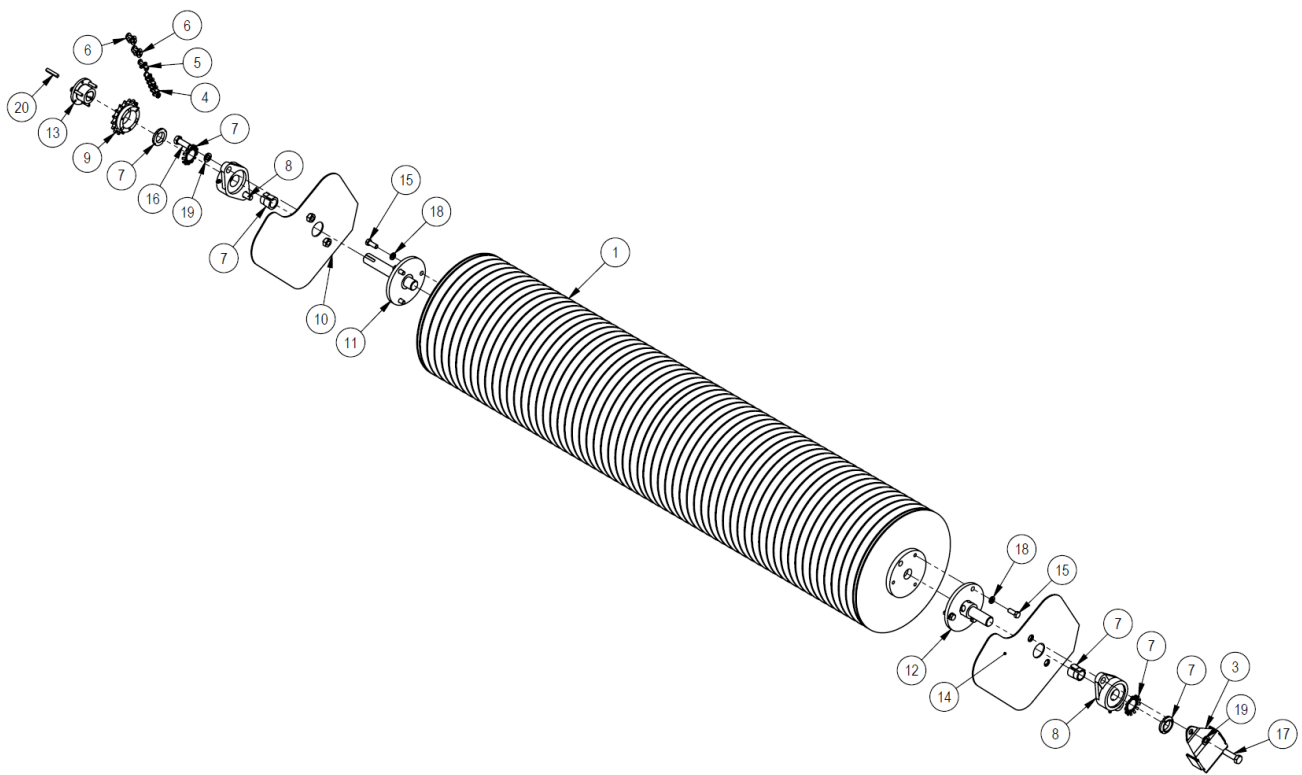
Item	Qty	Part No.	Name	Additional Info
1	2	07-3112	Grease Fitting	
2	1	LAF3501-0022	Bucket	With Universal Mounting, Call Dealer for your Prime Mover, RFQ - Please Call for Price Quote
4	1	LAF3507-0000	Parallel Linkage Bar - Left	
5	1	LAF9990-0000	Parallel Linkage Bar - Right	
6	2	RHW1912-0000	1.00" UNC X 4.50" Hex Capscrew	
7	2	RHW7902-0000	1.00 UNC Nylock Nut	

66 Inch Preparator



Item	Qty	Part No.	Name	Additional Info
1	1	07-0018	.38" UNC X 1.00" Hex Capscrew - GR8	
2	1	LAF3505-0000	Drum	
2.1	300	ILA9907-0000	Inside Tooth	
2.2	10	ILA9906	Outside Tooth	RFQ - Please Call for Price Quote
4	1	LAF3509-0000	Rotor Drive Shaft Left	
5	1	LAF3510-0000	Rotor Idler Shaft Right	
6	2	LAF3512-0000	Taper Lock Adapter Assembly	
7	2	LAF3513-0000	Flange Mount Bearing	
8	1	LAF3516-0000	Roller Chain #80H X 59 Links	
9	1	LAF3517-0000	Connecting Link	
10	1	LAF3518-0000	Offset Half Link	
11	1	LAF3532-0000	Sprocket Bushing	
12	1	LAF3540-0000	Drive Sprocket Retainer	
13	1	LAF3544-0000	Sprocket 26T	
14	1	LAF3549-0000	Sprocket 20T	
15	2	LAF3585-0000	Rotor Mounting Plate	
16	5	P851106	.38" Lock Washer	
17	8	P851108	.50" Lock Washer	
18	12	P851110	.62" Lock Washer	
19	8	RHW1406-0000	.50" UNC X 1.75" Hex Capscrew	
20	12	RHW1603-0000	.62" UNC X 1.75" Hex Capscrew	
21	4	RHW2205-0000	.38" UNC X 1.00" Carriage Bolt	
22	4	RHW7201-0000	.38" UNC Hex Nut	
23	1	RHW8071-0000	Square Key .38" X 1.50"	

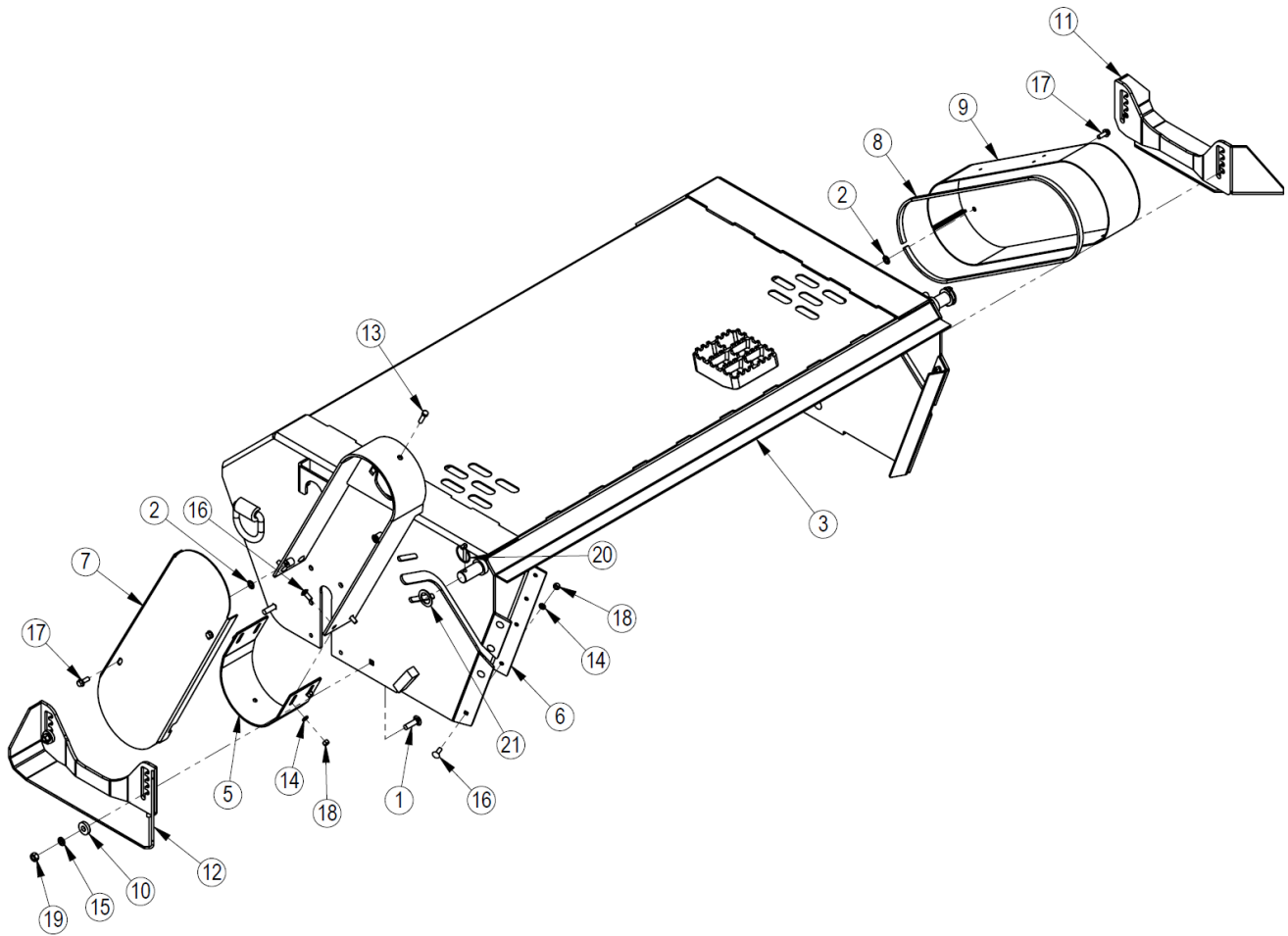
66 Inch Preparator





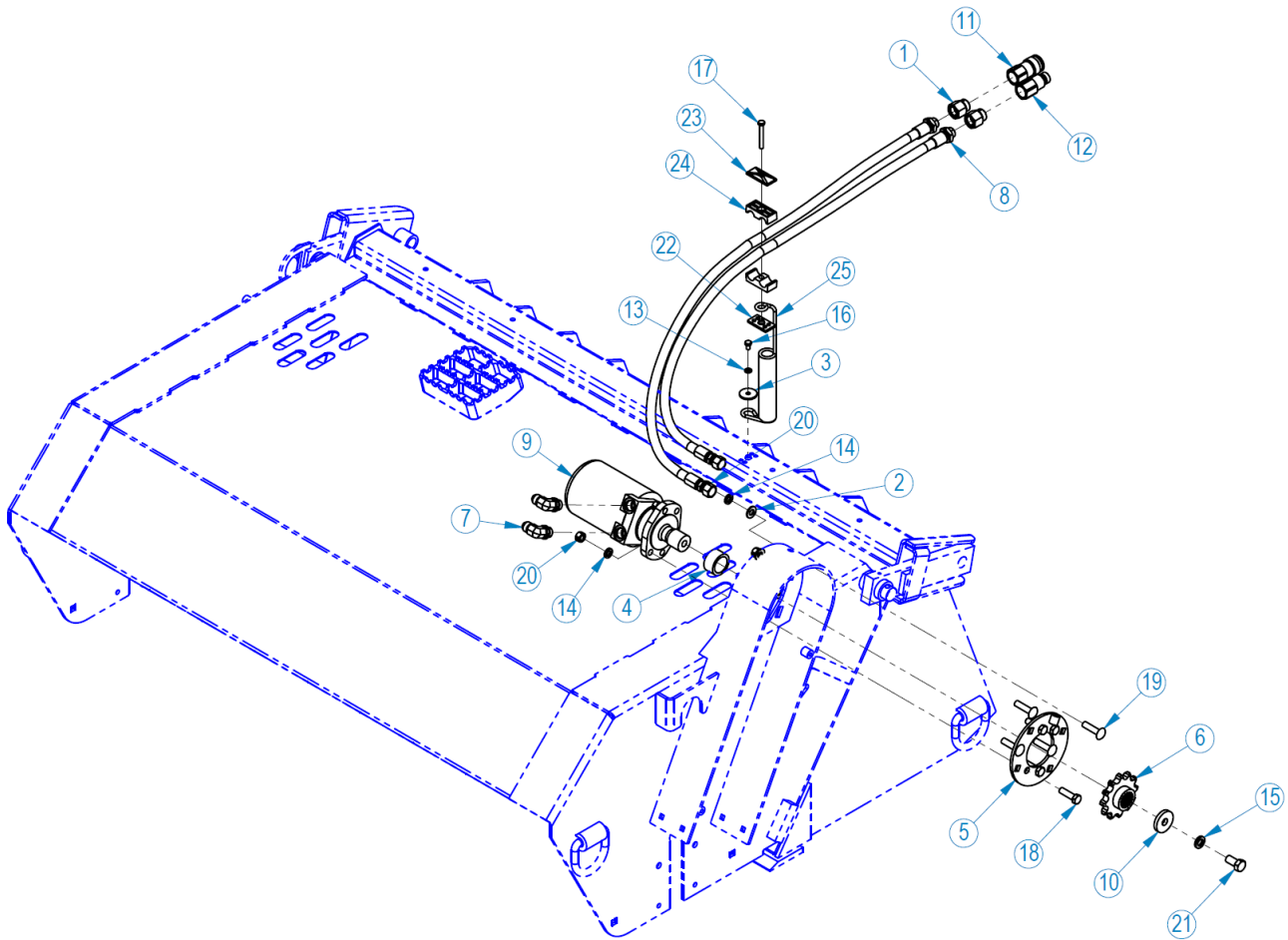
Item	Qty	Part No.	Name	Additional Info
1	1	01-9316	Brush 13" Diameter	
3	1	13-18176	Shaft End Guard	
4	1	LAF3520-0000	Roller Chain #50H X 65 Links	
5	1	LAF3521-0000	Connecting Link	
6	2	LAF3522-000	Offset Connecting Link #50H	RFQ - Please Call for Price Quote
7	2	LAF3533	Taper Lock Adapter Assembly	
8	2	LAF3534	Flange Mount Bearing	
9	1	LAF3536-0000	Sprocket 17T	
10	1	LAF3550-0000	Brush Baffle Plate - Right	
11	1	LAF3564-0000	Brush Drive Shaft - Right	
12	1	LAF3565-0000	Brush Idler Shaft - Left	
13	1	LAF3567-0000	Sprocket Bushing	
14	1	LAF3588-0000	Brush Baffle Plate - Left	
15	6	P100604	.38" UNC X 1.00" Hex Capscrew	
16	2	P100806	.50" UNC X 1.50" Hex Capscrew	
17	2	P100807	.50" UNC X 1.75" Hex Capscrew	
18	6	P851106	.38" Lock Washer	
19	4	P851108	.50" Lock Washer	
20	1	RHW8072-0000	Square Key .25" X 1.50"	

66 Inch Preparator



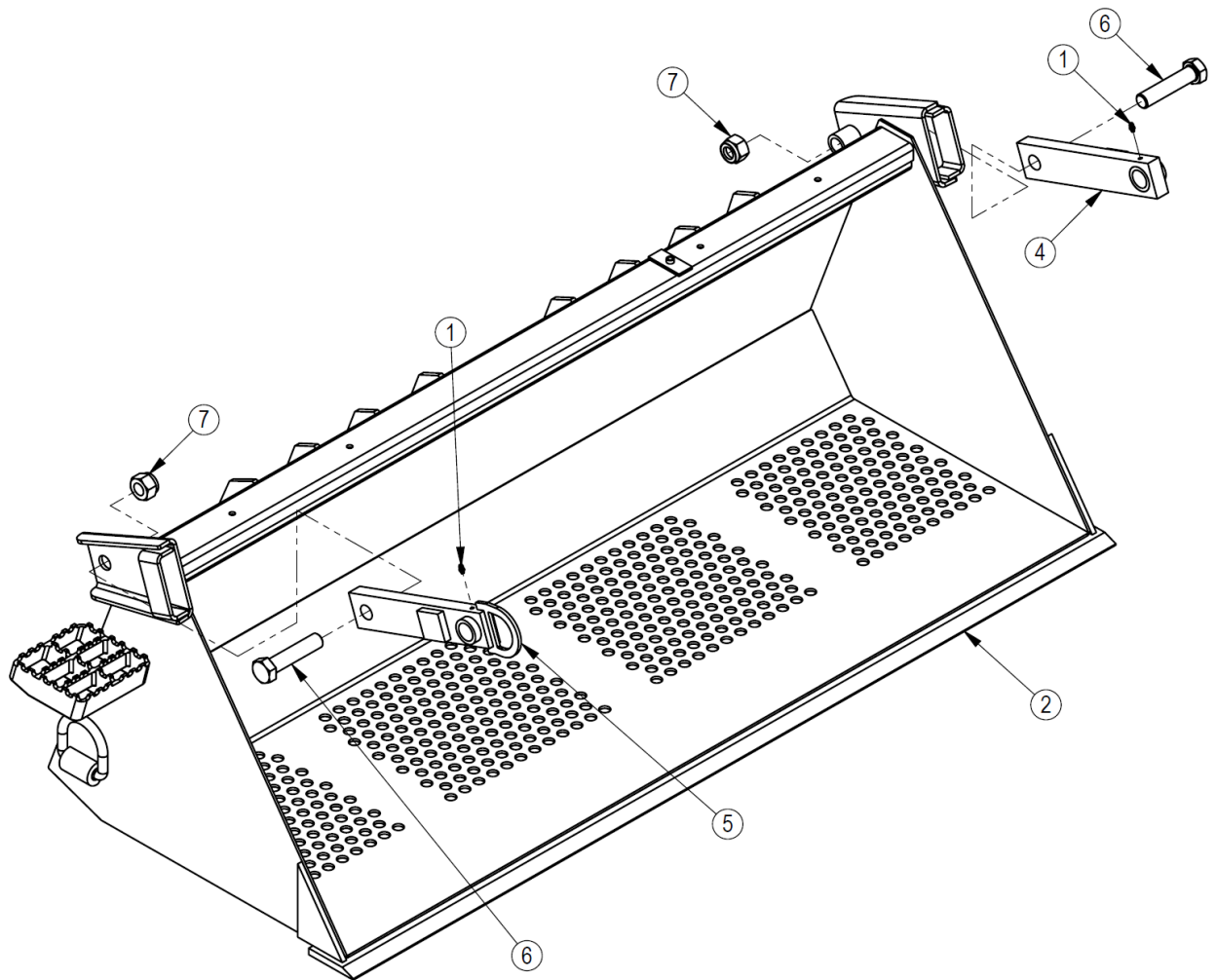
Item	Qty	Part No.	Name	Additional Info
1	4	07-3709	.50" UNC X 1.75" Carriage Bolt	
2	4	07-7864	.38" Pushnut Retainer	
3	1	LAF3503-0000	Shroud	RFQ - Please Call for Price Quote
5	1	LAF3524-0000	Rotor Drive Shield Lower Cover	
6	2	LAF3525-0000	Angle Brace	
7	1	LAF3526-0000	Rotor Drive Shield Side Cover	
8	1	LAF3537-0000	Brush Drive Shield Gasket	
9	1	LAF3584-0000	Brush Drive Shield	
10	4	LAF3597-0000	Skid Shoe Retainer	
11	1	LAF9982-0000	Skid Shoe - Right	
12	1	LAF9983-0000	Skid Shoe - Left	
13	1	P100606	.38" UNC X 1.50" Hex Capscrew	
14	12	P851106	.38" Lock Washer	
15	4	P851108	.50" Lock Washer	
16	12	RHW2205-0000	.38" UNC X 1.00" Carriage Bolt	
17	4	RHW4025-0000	.38" UNC X 1.00" Serrated Flange Head Capscrew - GR8	
18	12	RHW7201-0000	.38" UNC Hex Nut	
19	4	RHW7401-0000	.50" UNC Hex Nut	
20	2	RHW8061-0000	Lynch Pin	
21	2	RHW8602-0000	Machinery Bushing 1.25" X 1.75"	

66 Inch Preparator



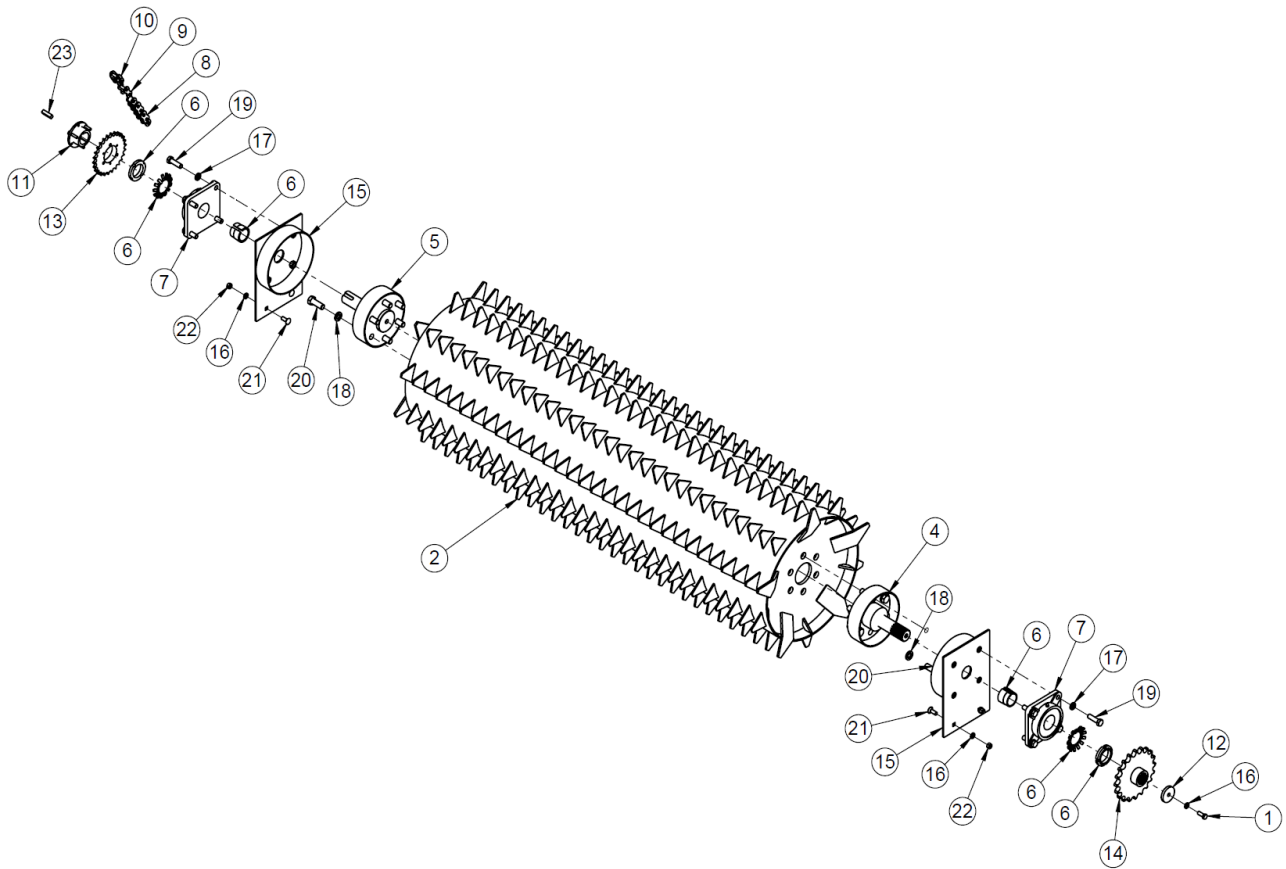
Item	Qty	Part No.	Name	Additional Info
1	2	03-4618	Fitting 12FBo-12MBo	
2	4	07-1763	.50" Hard Flat Washer	
3	1	105840	Fender Washer	
4	1	LAF3514-0000	Motor Shaft Spacer	
5	1	LAF3530-0000	Motor Mount	
6	1	LAF3546-0000	Sprocket 12T	
7	2	LAF4278-0000	90° Elbow 10MBo-10MJ	
8	2	LAF4321-0000	Hose .50" X 104" 10MBo - 10FJX	
9	1	LAF4772-0000	Hydraulic Motor 24.7 CID	
10	1	LAF9965-0000	Sprocket Retainer	
11	1	P272670	Female Quick Coupler -12FBo	
12	1	P272671	Male Quick Coupler -12FBo	
13	1	P851105	.31" Lock Washer	
14	8	P851108	.50" Lock Washer	
15	1	P851110	.62" Lock Washer	
16	1	RHW1101-0000	.31" UNC X .50" Hex Capscrew	
17	1	RHW1112-0000	.31" UNC X 2.50" Hex Capscrew	
18	4	RHW1406-0000	.50" UNC X 1.75" Hex Capscrew	
19	4	RHW2404-0000	.50" UNC X 1.25" Carriage Bolt	
20	8	RHW7403-0000	.50" UNC Deformed Lock Nut	
21	1	RHW8113-0000	.62" UNF X 1.25" Hex Capscrew	
22	1	RHW8613	Hose Clamp Plate	
23	1	RHW8614	Cover Plate	
24	1	RHW8616	Hose Cradle	
25	1	RHW8618	Mounting Spring	

76 Inch Preparator



Item	Qty	Part No.	Name	Additional Info
1	2	07-3112	Grease Fitting	
2	1	LAF3502-0022	Bucket	With Universal Mounting, Call Dealer for your Prime Mover, RFQ - Please Call for Price Quote
4	1	LAF3507-0000	Parallel Linkage Bar - Left	
5	1	LAF9990-0000	Parallel Linkage Bar - Right	
6	2	RHW1912-0000	1.00" UNC X 4.50" Hex Capscrew	
7	2	RHW7902-0000	1.00 UNC Nylock Nut	

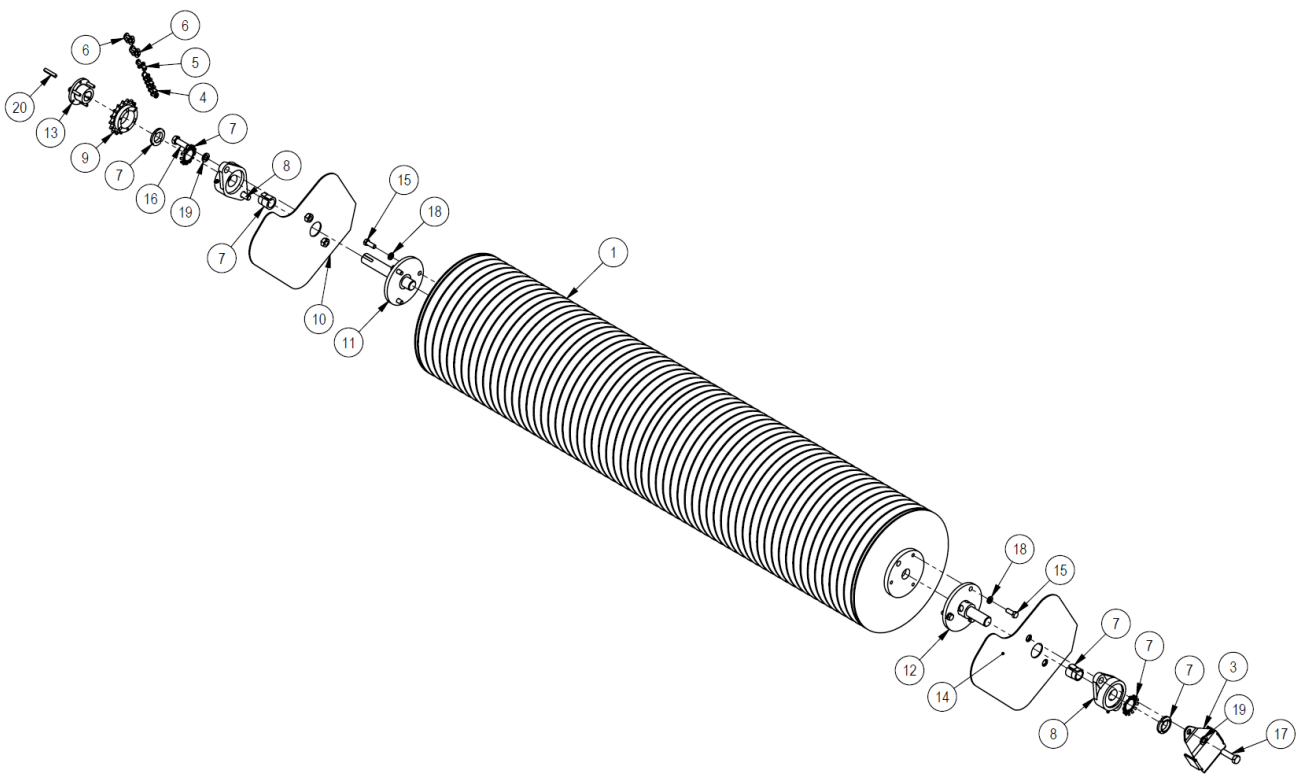
76 Inch Preparator





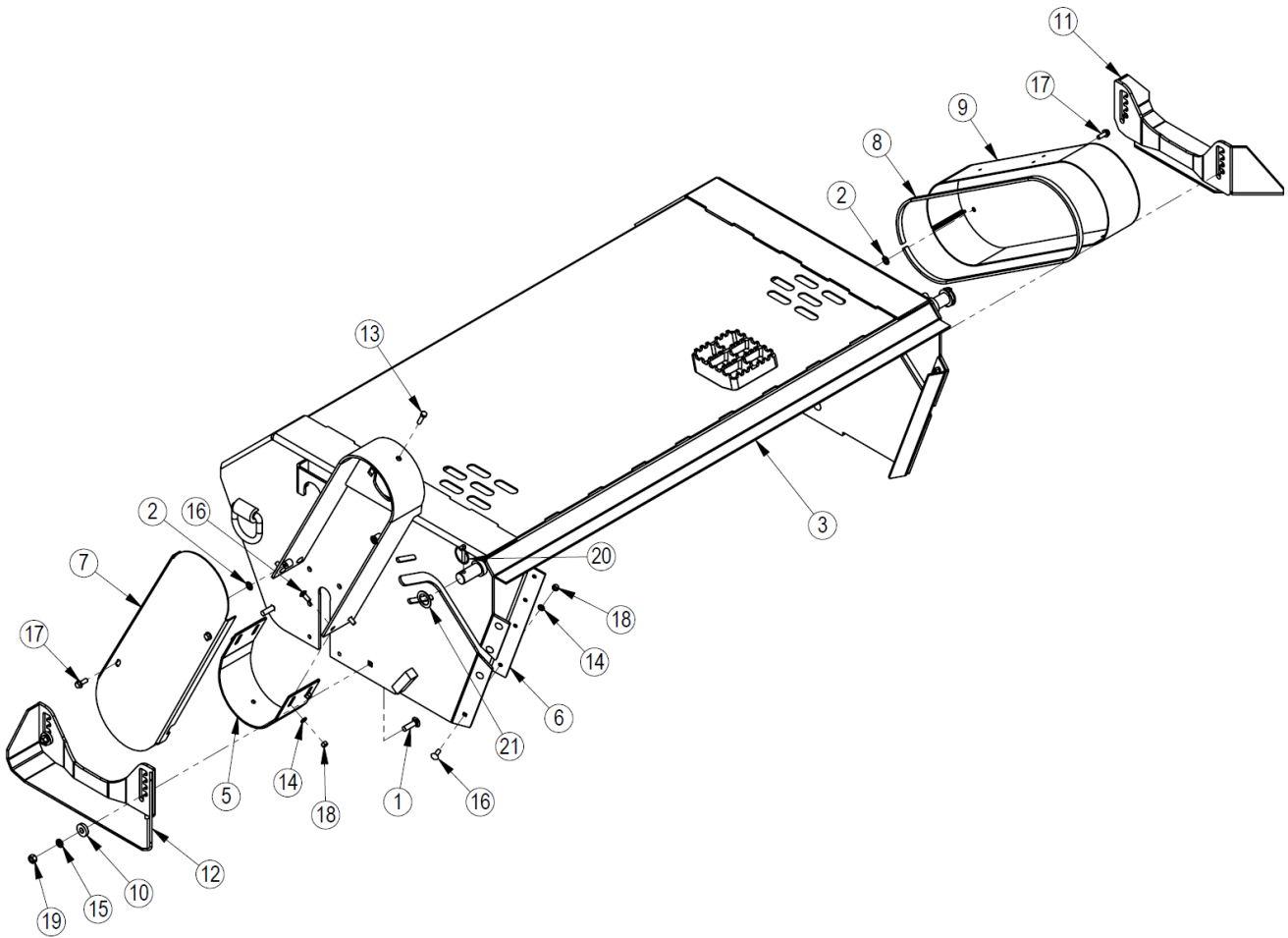
Item	Qty	Part No.	Name	Additional Info
1	1	07-0018	.38" UNC X 1.00" Hex Capscrew - GR8	
2	1	LAF3506-0000	Drum	
2.1	350	ILA9907-0000	Inside Tooth	
2.2	10	ILA9906-0000	Outside Teeth	
4	1	LAF3509-0000	Rotor Drive Shaft Left	
5	1	LAF3510-0000	Rotor Idler Shaft Right	
6	2	LAF3512-0000	Taper Lock Adapter Assembly	
7	2	LAF3513-0000	Flange Mount Bearing	
8	1	LAF3516-0000	Roller Chain #80H X 59 Links	
9	1	LAF3517-0000	Connecting Link	
10	1	LAF3518-0000	Offset Half Link	
11	1	LAF3532-0000	Sprocket Bushing	
12	1	LAF3540-0000	Drive Sprocket Retainer	
13	1	LAF3544-0000	Sprocket 26T	
14	1	LAF3549-0000	Sprocket 20T	
15	2	LAF3585-0000	Rotor Mounting Plate	
16	5	P851106	.38" Lock Washer	
17	8	P851108	.50" Lock Washer	
18	12	P851110	.62" Lock Washer	
19	8	RHW1406-0000	.50" UNC X 1.75" Hex Capscrew	
20	12	RHW1603-0000	.62" UNC X 1.75" Hex Capscrew	
21	4	RHW2205-0000	.38" UNC X 1.00" Carriage Bolt	
22	4	RHW7201-0000	.38" UNC Hex Nut	
23	1	RHW8071-0000	Square Key .38" X 1.50"	

76 Inch Preparator



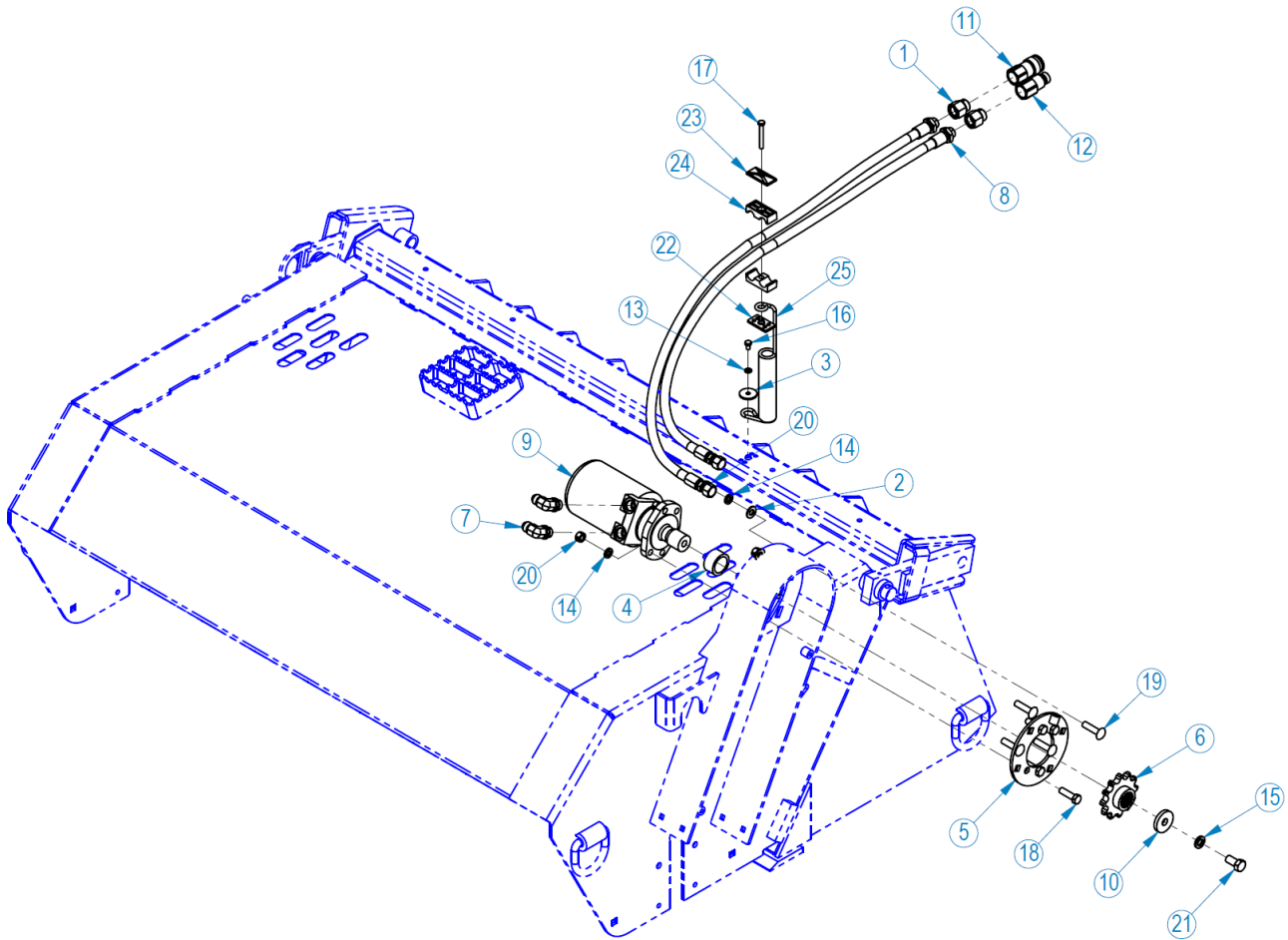
Item	Qty	Part No.	Name	Additional Info
1	1	01-9317	Brush 13" Diameter	
3	1	13-18176	Shaft End Guard	
4	1	LAF3520-0000	Roller Chain #50H X 65 Links	
5	1	LAF3521-0000	Connecting Link	
6	2	LAF3522-000	Offset Connecting Link #50H	RFQ - Please Call for Price Quote
7	2	LAF3533	Taper Lock Adapter Assembly	
8	2	LAF3534	Flange Mount Bearing	
9	1	LAF3536-0000	Sprocket 17T	
10	1	LAF3550-0000	Brush Baffle Plate - Right	
11	1	LAF3564-0000	Brush Drive Shaft - Right	
12	1	LAF3565-0000	Brush Idler Shaft - Left	
13	1	LAF3567-0000	Sprocket Bushing	
14	1	LAF3588-0000	Brush Baffle Plate - Left	
15	6	P100604	.38" UNC X 1.00" Hex Capscrew	
16	2	P100806	.50" UNC X 1.50" Hex Capscrew	
17	2	P100807	.50" UNC X 1.75" Hex Capscrew	
18	6	P851106	.38" Lock Washer	
19	4	P851108	.50" Lock Washer	
20	1	RHW8072-0000	Square Key .25" X 1.50"	

76 Inch Preparator



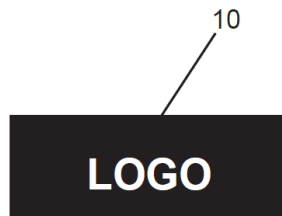
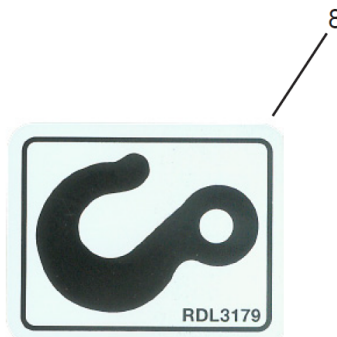
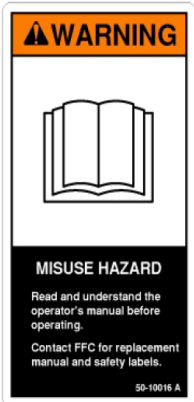
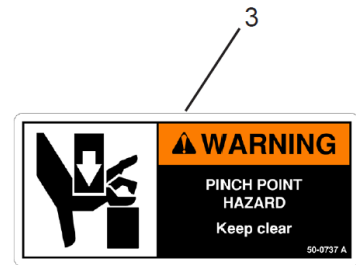
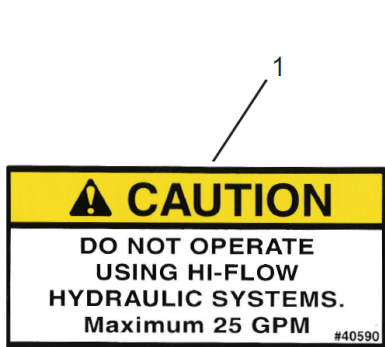
Item	Qty	Part No.	Name	Additional Info
1	4	07-3709	.50" UNC X 1.75" Carriage Bolt	
2	4	07-7864	.38" Pushnut Retainer	
3	1	LAF3504-0000	Shroud	RFQ - Please Call for Price Quote
5	1	LAF3524-0000	Rotor Drive Shield Lower Cover	
6	2	LAF3525-0000	Angle Brace	
7	1	LAF3526-0000	Rotor Drive Shield Side Cover	
8	1	LAF3537-0000	Brush Drive Shield Gasket	
9	1	LAF3584-0000	Brush Drive Shield	
10	4	LAF3597-0000	Skid Shoe Retainer	
11	1	LAF9982-0000	Skid Shoe - Right	
12	1	LAF9983-0000	Skid Shoe - Left	
13	1	P100606	.38" UNC X 1.50" Hex Capscrew	
14	12	P851106	.38" Lock Washer	
15	4	P851108	.50" Lock Washer	
16	12	RHW2205-0000	.38" UNC X 1.00" Carriage Bolt	
17	4	RHW4025-0000	.38" UNC X 1.00" Serrated Flange Head Capscrew - GR8	
18	12	RHW7201-0000	.38" UNC Hex Nut	
19	4	RHW7401-0000	.50" UNC Hex Nut	
20	2	RHW8061-0000	Lynch Pin	
21	2	RHW8602-0000	Machinery Bushing 1.25" X 1.75"	

76 Inch Preparator



Item	Qty	Part No.	Name	Additional Info
1	2	03-4618	Fitting 12FBo-12MBo	
2	4	07-1763	.50" Hard Flat Washer	
3	1	105840	Fender Washer	
4	1	LAF3514-0000	Motor Shaft Spacer	
5	1	LAF3530-0000	Motor Mount	
6	1	LAF3546-0000	Sprocket 12T	
7	2	LAF4278-0000	90° Elbow 10MBo-10MJ	
8	2	LAF4321-0000	Hose .50" X 104" 10MBo - 10FJX	
9	1	LAF4772-0000	Hydraulic Motor 24.7 CID	
10	1	LAF9965-0000	Sprocket Retainer	
11	1	P272670	Female Quick Coupler -12FBo	
12	1	P272671	Male Quick Coupler -12FBo	
13	1	P851105	.31" Lock Washer	
14	8	P851108	.50" Lock Washer	
15	1	P851110	.62" Lock Washer	
16	1	RHW1101-0000	.31" UNC X .50" Hex Capscrew	
17	1	RHW1112-0000	.31" UNC X 2.50" Hex Capscrew	
18	4	RHW1406-0000	.50" UNC X 1.75" Hex Capscrew	
19	4	RHW2404-0000	.50" UNC X 1.25" Carriage Bolt	
20	8	RHW7403-0000	.50" UNC Deformed Lock Nut	
21	1	RHW8113-0000	.62" UNF X 1.25" Hex Capscrew	
22	1	RHW8613	Hose Clamp Plate	
23	1	RHW8614	Cover Plate	
24	1	RHW8616	Hose Cradle	
25	1	RHW8618	Mounting Spring	

Replacement Decals Preparator





Item	Qty	Part No.	Name	Additional Info
1	1	40590	Caution! Max Flow 25 GPM	
2	1	50-0724	Warning! High Pressure Fluid	
3	2	50-0737	Warning! Pinch Point Hazard	
4	1	50-10016	Warning! Read Manual	
5	2	RDL3100-0000	Warning! Flying Objects	
6	1	RDL3101-0000	Warning! Rollover	
7	2	RDL3102-0000	Warning! Shield	
8	2	50-0769	Lift Point	
9	2	RDL3178-0000	Caution! Not a Step	
10		VARIES	Contact your local dealer to purchase model number and logo decals.	

Comments for Page: Verbiage Decals Preparator

IMPORTANT: See operator's manual for placement and definition.

Comments for Chapter: Replacement Decals Preparator

IMPORTANT: See operator's manual for placement and definition.