



## PRO SOD CUTTER

### MODELS:

**HSC18A5**

**HSC18A8**



MAN 4177227  
Rev. C

---

**PARTS, OPERATORS & SAFETY MANUAL**

## CALIFORNIA PROPOSITION 65



**WARNING: Cancer and Reproductive Harm - [www.P65Warnings.ca.gov](http://www.P65Warnings.ca.gov).**



**ADVERTENCIA: Cáncer y Daño Reproductivo - [www.65Warnings.ca.gov](http://www.65Warnings.ca.gov).**

### **WARNING**

The engine exhaust from this product contains chemicals known to the State of California to cause cancer, birth defects or other reproductive harm.

### **ADVERTENCIA**

El estado de California hace saber que los gases de escape de este producto contienen productos químicos que producen cáncer, defectos de nacimiento y otros daños en el proceso de reproducción humana.

### **IMPORTANT!**

**It is a violation of California Public Resource Code Section 4442 or 4443 to use or operate the engine on any forest-covered, brush-covered or grass-covered land unless the engine is equipped with a spark arrestor, as defined in Section 4442, maintained in effective working order or the engine is constructed, equipped, and maintained for the prevention of fire.**

To acquire a spark arrestor for your unit, see your Engine Service Dealer.

**Please refer to the engine manufacturer's information included with the machine.**

**Labeled power ratings are supplied by the engine manufacturer in accordance with SAE testing and gross/net power rating standards (J1940, J1995, J1349).**

# PRO SOD CUTTER

## IMPORTANT MESSAGE

Thank you for purchasing this Classen product. You have purchased a world class product, one of the best designed and built anywhere.

This machine comes with an Operation and Safety Manual, Parts and Service Manual, and Engine Manual. The useful life and good service you receive from this machine depends to a large extent on how well you read and understand these manuals. Treat your machine properly, lubricate and adjust it as instructed, and it will give you many years of reliable service.

Your safe use of this Classen product is one of our prime design objectives. Many safety features are built in, but we also rely on your good sense and care to achieve accident-free operation. For best protection, study the manuals thoroughly. Learn the proper operation of all controls. Observe all safety precautions. Follow all instructions and warnings completely. Do not remove or defeat any safety features. Make sure those who operate this machine are as well informed and careful in its use as you are.

See a Classen dealer for any service or parts needed. Classen service ensures that you continue to receive the best results possible from Classen products. You can trust Classen replacement parts because they are manufactured with the same high precision and quality as the original parts.

Classen designs and builds its equipment to serve many years in a safe and productive manner. For longest life, use this machine only as directed in the manuals, keep it in good repair and follow safety warnings and instructions. You'll always be glad you did.

**Classen**  
**Schiller Grounds Care, Inc.**  
**1028 Street Road**  
**Southampton, PA 18966-4217**

<b>TABLE OF CONTENTS</b>	<b>FIGURES</b>	<b>PAGE</b>
INTRODUCTION / SET-UP INSTRUCTIONS .....		5
SAFETY .....		6-8
LABELS .....		9
CONTROLS .....		10
OPERATION .....		11, 12
ADJUSTMENTS .....		13, 14
MAINTENANCE .....		15
STORAGE .....		16
TROUBLESHOOTING .....		117
SPECIFICATIONS .....		18
PARTS SECTION .....		19
MAIN FRAME ASSEMBLY .....	FIGURE 1 .....	20, 21
HANDLE ASSEMBLY .....	FIGURE 2 .....	22, 23
CUTTER ASSEMBLY .....	FIGURE 3 .....	24, 25
POWER TRAIN ASSEMBLY .....	FIGURE 4 .....	26, 27
OPTIONAL BLADE CONVERSION KITS .....	FIGURE 5 .....	28
OPTIONAL TRAILER HITCH KIT .....	FIGURE 6 .....	29
WARRANTY .....		BACK COVER



This Operator / Parts Manual is part of the machine. Suppliers of both new and second-hand machines must make sure that this manual is provided with the machine.

**NOTICE !!!**

Unauthorized modifications may present **extreme** safety hazards to operators and bystanders and could also result in product damage.

Schiller Grounds Care, Inc. strongly warns against, rejects and disclaims any modifications, add-on accessories or product alterations that are not designed, developed, tested and approved by Schiller Grounds Care, Inc. Engineering Department. Any Schiller Grounds Care, Inc. product that is altered, modified or changed in any manner not specifically authorized after original manufacture—including the addition of “after-market” accessories or component parts not specifically approved by Schiller Grounds Care, Inc. will result in the Schiller Grounds Care, Inc. Warranty being voided.

Any and all liability for personal injury and/or property damage caused by any unauthorized modifications, add-on accessories or products not approved by Schiller Grounds Care, Inc. will be considered the responsibility of the individual(s) or company designing and/or making such changes. Schiller Grounds Care, Inc. will vigorously pursue full indemnification and costs from any party responsible for such unauthorized post-manufacture modifications and/or accessories should personal injury and/or property damage result.



This symbol means:  
**ATTENTION!  
BECOME ALERT!**

Your safety and the safety of others is involved.

**Signal word definitions:**

The signal words below are used to identify levels of hazard seriousness. These words appear in this manual and on the safety labels attached to Schiller Grounds Care, Inc. machines. For your safety and the safety of others, read and follow the information given with these signal words and/or the symbol shown above.

**⚠ DANGER**

**DANGER** indicates a hazardous situation which, if not avoided, **WILL** result in death or serious injury.

**⚠ WARNING**

**WARNING** indicates a hazardous situation which, if not avoided, **COULD** result in death or serious injury.

**⚠ CAUTION**

**CAUTION** indicates a hazardous situation which, if not avoided, **COULD** result in minor or moderate injury. It may also be used to alert against unsafe practices or property damage.

**⚠ CAUTION**

**CAUTION** used without the safety alert symbol indicates a potentially hazardous situation which, if not avoided, **MAY** result in property damage.

**OWNER'S RECORD**

Date Purchased \_\_\_\_\_

Sod Cutter Model Number \_\_\_\_\_

Sod Cutter Serial Number \_\_\_\_\_

Engine Model Number \_\_\_\_\_

Engine Serial Number \_\_\_\_\_

**Schiller Grounds Care, Inc.**

1028 Street Road  
Southampton, PA 18966 U.S.A  
Phone: 215-357-5110  
Fax: 215-357-8045

MODEL NUMBER

SERIAL NUMBER

**MODEL NUMBER:** This number appears on sales literature, technical manuals and price lists.

**SERIAL NUMBER:** This number appears only on your machine. It contains the model number followed consecutively by the serial number. Use this number when ordering parts or seeking warranty information.

**Thank You**

Thank you for purchasing the Classen Model SC-18A

**Read This Manual**

Read this manual carefully to learn how to operate sod cutter correctly. Failure to do so could result in personal injury or equipment damage. This manual should be considered a permanent part of your sod cutter and should remain with it if you sell it.

**Warranty**

Refer to back page.

**Serial Numbers**

Write frame and engine serial numbers, plus model numbers in "Owners Record" section below. Your dealer needs these numbers when you order parts. The serial number is located on a sticker on the center section of the frame.

**Directions**

"Right Hand" and "Left Hand" sides of the sod cutter are determined by facing the back of the sod cutter as you would operate the machine.

**PRE-DELIVERY CHECK LIST**

Check the following before you deliver the sod cutter to the customer.

1. Guards and shields fastened in place.
2. Decals fastened and legible.
3. Tire pressure.
4. Gas lever on engine turned on.
5. All eight lubrication points greased.
6. 2:1 gearbox oil level.
7. Engine oil level.
8. Air cleaner.
9. Touch up scratches.
10. Chain tight.
11. Engine belt tight.
12. Levers working properly.
13. All controls.
14. Add fuel, start engine, test run.

**DELIVERY CHECK LIST**

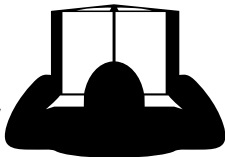
Review the operators manual with the customer. Explain the following:

1. Classen Mfg., Inc. warranty.
2. Safe operation and service.
3. How to use controls.
4. Operating the machine correctly.
5. Transporting the sod cutter.
6. Correct fuel and lubricants.
7. Daily and periodic inspections.
8. Changing oil after break-in period.
9. Servicing the sod cutter regularly and correctly.
10. Classen Mfg., Inc. parts and service.
11. Give the customer the operators manual and encourage customer to read it.

**SET UP INSTRUCTIONS**

To prevent injury, wear appropriate eye protection and stand clear when cutting banding. Banding is under tension and may snap back when cut.

1. Remove crate top, ends, sides and plastic covering the unit..  
Remove the banding attaching the sod cutter to the pallet.
2. Roll the sod cutter off the pallet. The unit can also be driven off the pallet, but first read the Safety, Controls, and Operation sections of your manual, then check the oil and add fuel.
3. Dispose of pallet, box, and banding in a responsible manner.
4. Check the engine oil level, add if necessary a fill the fuel tank with fresh, clean, unleaded regular gasoline.

**Machine Preparation****Operator preparation and training****Read the Operation & Safety Manual**

- If an operator or mechanic cannot read English, it is the owner's responsibility to explain this material to them. If any portion of this material is unclear, contact your factory representative for clarification.
- Become familiar with the safe operation of the equipment, operator controls and safety signs. Be prepared to stop the engine quickly in an emergency. Do not operate or allow another person to operate this machine if there are any questions about safety.
- All operators and mechanics should be trained. The owner is responsible for training the users.
- Wear appropriate clothing, including safety goggles or safety glasses with side shields when operating. Do not operate barefoot or wearing open sandals. Long hair, loose clothing or jewelry may get tangled in moving parts.
- Wear hearing protection.
- Wear safety glasses.
- Never allow underage children, unskilled or improperly trained people to operate this equipment. Local regulations can restrict the age of the operator.
- Keep warning labels and this operator's manual legible and intact. Replacement labels and manuals are available from the factory.
- Do not operate machine while under the influence of drugs or alcohol.
- The owner/user can prevent and is responsible for accidents or injuries occurring to themselves, other people or property.

**Site preparation and circumstances**

- Evaluate the terrain to determine how to safely perform the job. Only use accessories and attachments approved by the manufacturer.
- Clear the area to be cut of objects such as rocks, toys, wire or other debris that may be thrown or get tangled in the sod cutter.
- Identify and mark objects to be avoided such as sprinkler heads, stakes, water valves, etc.
- Be sure the area is clear of pets and people, especially young children. Never assume they will remain where you last saw them. Stop the machine if any enter the area.
- Cut sod only in daylight or in good artificial light.

**Machine Preparation**

- Do not tamper with or defeat safety devices. Keep guards, shields and interlock safety devices in place and in proper working condition. They are for your protection.
- Keep all fasteners such as nuts, bolts and pins well secured.
- Visually inspect blade and blade bolts for wear or damage. Replace worn or damaged blades and bolts.
- Verify that machine and attachments, if any, are in good operating condition.
- Do not engage blade until ready to cut sod.

**OPERATING SAFELY****In General**

- Use extra care when loading or unloading the machine into a trailer or truck.
- Use caution when making turns and crossing roads and sidewalks. Stop blade when not cutting sod.
- Do not run the engine in an enclosed area where dangerous carbon monoxide fumes can collect.
- Never leave a machine unattended. Always turn off blade and stop engine when leaving the operator position. When leaving the machine be sure the wheel drive clutch is engaged.
- Use extreme caution when reversing or pulling machine towards you.

**Storage Safety**

- Stop the engine and allow to cool before storing.
- Drain the fuel tank outdoors only.
- Store fuel in an approved container in a cool, dry place.
- Keep the machine and fuel containers in a locked storage place to prevent tampering and to keep children from playing with them.
- Do not store the machine or fuel container near heating appliances with an open flame, such as a water heater, or an appliance with a pilot light.
- Keep gasoline storage area free of grass, leaves and excessive grease to reduce fire hazard.
- Clean grass and debris from cutting units, drives, mufflers and engine to help prevent fires.

## Starting

- Start according to instructions in this manual or on the machine.
- Before attempting to start the engine, make sure the wheel drive and cutter blade are disengaged.
- When starting the engine, make sure hands and feet are clear of the blade.
- Do not change engine governor settings or over-speed the engine. Operating the engine at excessive speed can increase the hazard of personal injury.



## Operating On Slopes

Use Extra Care When Working On Slopes

- Do not operate on slopes if uneasy or uncertain. Ultimate responsibility for safe operation on slopes rests with the operator.
- Do not operate on steep slopes.
- Keep all movement on slopes slow and gradual.
- Do not cut sod near drop-offs, ditches or embankments. The machine could suddenly turn over if a wheel runs over the edge or an edge caves in.
- Do not turn on slopes unless necessary, and then turn slowly and downhill when possible.
- Be sure of your footing on slopes.

## Interrupting Operation

- Before leaving the operator's position:
  - Park on level ground.
  - Disengage the wheel drive and cutter blade.
  - Shut off the engine.
- Disengage the wheel drive and wait until the blade stops moving then disengage the blade:
  - when not cutting sod;
  - for transport;
  - when crossing surfaces other than grass.
- Stop the engine, disengage the wheel drive and wait until the blade stops moving:
  - before refueling;
  - before making blade adjustment.
- Stop the engine, disengage the wheel drive, and disconnect the spark plug wire(s):
  - before clearing blockages;
  - before checking, cleaning or working on the machine;
  - after striking a foreign object. Inspect the machine for damage and make repairs before restarting;
  - if the machine begins to vibrate abnormally: shut off machine immediately. Inspect and make repairs as needed before restarting;

— except for repairs or adjustments as specifically noted, such as for carburetor adjustment, where the engine must be running. Keep hands and feet clear of moving parts in these circumstances.

- Allow the blade to come to a complete stop when stopping operation to clear blockages, unclog, inspect the machine, do maintenance or repair.
- Reduce the throttle setting during engine shut-down and, if the engine is provided with a shut-off valve, turn the fuel off at the conclusion of operation.

## MAINTENANCE SAFETY

### In general

- Maintain machine according to manufacturer's schedule and instructions for maximum safety and best results.
- Park machine on level ground.
- Never allow untrained personnel to service machine.
- Guards should only be removed by qualified maintenance technician for maintenance/service. Replace when work is complete.
- Adjust or repair only after the engine has been stopped and the blade has stopped moving.
- Disconnect spark plug wire(s) before doing any maintenance.
- Replace parts if worn, damaged or faulty. For best results, always replace with parts recommended by the manufacturer.
- Do not dismantle the machine without releasing or restraining forces which may cause parts to move suddenly.
- Provide adequate support, e.g. jack stands for lifted machine or parts if working beneath.
- Do not put hands or feet near or under rotating parts.
- Clean up spilled oil or fuel thoroughly.
- Replace faulty mufflers.
- To reduce fire hazards, keep the engine, muffler, and fuel storage area free of grass, leaves, debris buildup or grease.

## Blades

The sod cutter blade is sharp and can cut. Use extra caution when handling. Remove obstructions with care. Wrap the blade or wear gloves.

- Only replace blade. Never straighten or weld.
- Keep other persons away from blades.



## Fuel

- Petrol (gasoline) and diesel fuels are flammable; petrol (gasoline) vapors are explosive. Use extra care when handling.
- Store only in containers specifically designed for fuel.
- When refueling or checking fuel level:
  - Stop the engine and allow to cool;
  - Do not smoke;
  - Refuel outdoors only;
  - Use a funnel;
  - Do not overfill;
- If fuel is spilled, do not attempt to start the engine until the spill is cleaned up and vapors have cleared.
- Replace caps on fuel containers and tanks securely.



Sparks from static electricity can start fires or cause explosions. Flowing fuel can generate static electricity. To prevent static electricity sparks:

- Keep fuel containers electrically grounded. Do not fill containers in a vehicle or on a truck or trailer bed with a plastic liner. Fill containers on the ground away from the vehicle.
- When practical, remove petrol (gas) powered equipment from the truck or trailer and refuel it on the ground. If equipment must be refueled on the truck or trailer, refuel from a portable container rather than a dispenser nozzle.
- Keep the dispenser nozzle in contact with the rim of the fuel tank or container opening until fueling is complete. Do not use a nozzle lock-open device.

## Storage Safety

- Stop the engine and allow to cool before storing.
- Drain the fuel tank outdoors only.
- Store fuel in an approved container in a cool, dry place.
- Keep the machine and fuel containers in a locked storage place to prevent tampering and to keep children from playing with them.
- Do not store the machine or fuel container near heating appliances with an open flame, such as a water heater, or an appliance with a pilot light.
- Keep gasoline (petrol) storage area free of grass, leaves and excessive grease to reduce fire hazard.
- Clean grass and debris from cutting units, drives, mufflers and engine to help prevent fires.



PRO  
SOD CUTTER

### QUICK SETUP

**1 Set Depth**

**2 Tilt Up**

**3 Adjust Blade**

**4 Tilt Down**

### OPERATION

**CLASSEN**

P/N 4176931

### WARNING

Operation of This Equipment  
May Create Sparks That Can  
Start Fires Around Dry  
Vegetation. A Spark Arrestor  
May be Required. The  
Operator Should Contact  
Local Fire Agencies For Laws  
or Regulations Relating to  
Fire Prevention  
Requirements.  
--This label meets California 4442.6

100504

CUTTER ON  
BLADE OFF

### WARNING

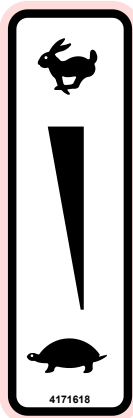
**TO CHECK OR ADD FUEL:**

- Do it outdoors.
- Stop engine. Allow to cool.
- Do not smoke.
- Clean up spilled fuel.
- Do not overfill.
- Fill to one inch below bottom of filler neck.

2000570

**ON BACK OF HYDROSTATIC TRANSMISSION,  
PUSH ARM IN TO MANUALLY ROLL SOD CUTTER,  
PULL OUT TO LOCK IN HYDROSTATIC TRANSMISSION.**

LUBRICATE CHAIN DAILY,  
ALSO CHECK TENSION AND  
ADJUST WHEN NEEDED.



"IMPORTANT EMISSIONS INFORMATION"

THIS EQUIPMENT CONFORMS TO 2009 CALIFORNIA  
EVP REGULATIONS FOR SMALL OFF ROAD ENGINES  
UNDER 13CCR SECTION 2766(b)  
SCHILLER GROUNDS CARE, INC.

100505      DATE OF MANUFACTURE : \_\_\_\_\_

### WARNING

- ROTATING PARTS.
- DO NOT OPERATE WITH COVER REMOVED

4168760

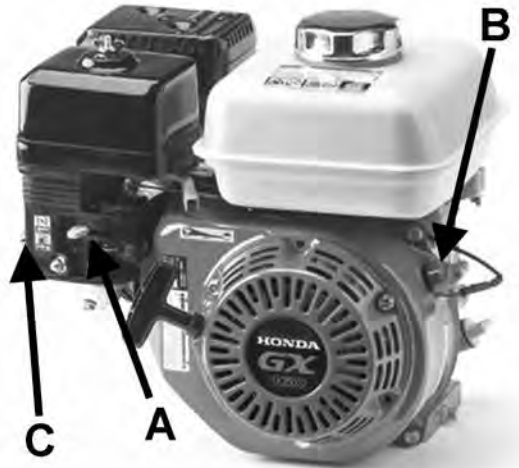
### DANGER

- ROTATING BLADE
- KEEP HANDS AND FEET AWAY

**FUEL SHUT OFF (A)** - Move to the "OFF" position to shut off the fuel whenever transporting the machine by trailer, truck or during storage. Move to the "ON" position before starting the engine.

**SWITCH (B)** - Move to the "OFF" position to stop the engine. Move to the "ON" position before starting engine.

**CHOKE (C)** - Move to the "CHOKE" position to apply the choke. Move to the "RUN" position to remove the choke.



**THROTTLE (D)** - Squeeze the throttle control to increase the engine rpm. Squeezing the throttle control to increase the engine rpm also engages the centrifugal clutch powering the blades and wheels when the blades and/or wheel drives are engaged.

**CUTTER BLADE HANDLE (E)** - Move the Cutter Blade handle forward to engage the blade drive. Move the Cutter Blade handle back to disengage the blade drive.

**HEIGHT ADJUSTMENT NUT (G)** - Loose the Height adjustment nut to allow raising or lowering the cutter blade.

**HEIGHT ADJUSTMENT BAR (H)** - Use the Height Adjustment Bar to raise or lower the cutter blade and to get the desired sod cutting depth.

**DEPTH GAUGE (J)** - Use the Depth Gauge to set the desired sod cutting depth. This acts as a positive stop for the Height Adjustment Bar H.

**WHEEL DRIVE HANDLE (F)** - Move the Wheel Drive Handle forward from the neutral position N to C (cut) or T (transport) to put the transmission into forward. Transport is faster than Cut and should not be used when blade is in the soil. Move the Wheel Drive Handle rearward from the neutral position N to R to put the transmission into reverse.



**PRE-OPERATION CHECK LIST  
(Operator's responsibility)**

- Review and follow all safety rules and safety decal instructions.
- Check that all safety decals are installed and in good condition. Replace if damaged.
- Check to make sure all shields and guards are properly installed and in good condition.
- Check that all hardware is properly installed and secured.
- Check to be sure engine is free of dirt and debris. Pay particular attention to the cooling fins, governor parts and muffler. Clean air intake screen. Check air cleaner; service is necessary.
- Inspect area. Remove stones or other hard objects that might cause damage.
- Check that there are no underground utilities in work area.
- Check all lubrication points and grease as instructed in manual.
- Perform a functional check of the safety interlock system each time you operate the unit. If it doesn't work, repair before using the machine.

 **WARNING**  
ALL GUARDS MUST BE IN PLACE WHILE MACHINE IS IN OPERATION.

 **WARNING**  
KEEP HANDS AND FEET AWAY FROM MOVING PARTS.

**READ SAFETY SIGNS**

Carefully read and follow caution stickers.

**BEFORE STARTING THE ENGINE**

1. Be familiar with the controls, how each functions, and what each operates.
2. Check engine oil level. Add oil if necessary, following the engine manufacturer's recommendations. Refer to engine manual supplied with machine.
3. Open the fuel valve.
4. Fill the fuel tank with the amount and type of fuel recommended by the engine manufacturer.
5. **CHOKE:** For cold starts, set the throttle lever to the half-open position and move the choke to the ON position. For warm starts set the throttle to the half-open position and the choke to the OFF position.

**FUEL**

**Petrol (gasoline) is extremely flammable and highly explosive under certain conditions. BE SURE to install fuel cap after refueling.**



Fill fuel tank with good quality, clean, unleaded regular gasoline to the level recommended by the engine manufacturer.

**To Check or Add Fuel:**

- Use a funnel to avoid spilling.
- Do it outdoors.
- Do not smoke.
- Stop the engine; allow to cool.
- Do not overfill.
- Clean up spilled fuel.

**SAFETY**

**Operate Safely**

Carefully read this manual and operate sod cutter correctly.

**Protect Children**

Keep children and pets out of the area where you are cutting sod.

**Avoid Tipping**

Make sure you do not get too close to sharp drop-offs to avoid tipping sod cutter over.

**Operate Safely On Slopes**

You may cut sod any direction on slopes, however, make sure you do this carefully. Cutting on slopes can be dangerous. To avoid any accidents, make sure to leave yourself room to correct the problem if one arises. Always park your sod cutter on level ground.

**Practice Safe Maintenance**

Keep all machine parts in good condition and fastened in place. Fix damages immediately. Replace worn or broken parts. Whenever you work on the sod cutter, disconnect spark plug wire.

**Start Engine Safely**

Make sure hands and feet are out of the way of moving parts when starting engine.

## ENGINE STARTING PROCEDURES

NOTICE: There are two locations on this engine that require oil, both the crankcase and the transmission (gearbox). Running the engine or gearbox with a low oil level can cause engine damage. Refer to the engine manual for complete engine information and recommendations.

### Engine Oil Level Check

1. BEFORE CHECKING ENGINE:
  - make certain the engine is level
  - the engine switch is in the OFF position
  - the sod cutter blade is NOT engaged
  - the drive wheels are disengaged.
2. Remove the filler cap/dipstick and wipe it clean.
3. Insert and remove the dipstick without screwing it into the filler neck. Check the oil level shown on the dipstick.
4. If the oil level is low, fill to the edge of the oil filler hole with the recommended oil. SAE 10W-30 is recommended for general use. Refer to engine oil recommendations in engine manual for other viscosities and information.
5. Screw in the filler cap/dipstick securely.

### Transmission Oil Level Check

1. Check the transmission oil level with the engine stopped and in a level position.
2. Remove the filler cap/dipstick and wipe it clean.
3. Insert and remove the dipstick without screwing it into the filler hole. Check the oil level shown on the dipstick.
4. If the oil level is low, add oil to reach the upper limit mark on the dipstick. Use the same oil that is recommended for the engine, SAE 10W-30.
5. Screw in the filler cap/dipstick securely.

### Starting Engine

1. Turn fuel cock to the "open" position.
2. Turn choke on (closed).
3. Turn ignition switch to "on".
4. Pull recoil starter rope until engine starts.
5. After engine is warm, turn off choke (open).
6. Allow engine to run one minute before cutting sod.
7. Check engine rpm setting before operating. DO NOT exceed 3600 rpm.

### Stopping Engine

1. Release finger throttle control.
2. Turn off ignition switch.

## OPERATING THE SOD CUTTER

### Preparation

1. Police lawn area for obstacles and debris (i.e. sprinklers, hoses, toys, etc.). Remove all items.
2. Make sure underground sprinkler heads and other hidden obstacles are marked to prevent damage.
3. Mark other areas where sod cutting will be a problem or too risky (i.e. mud, tree roots, steep hills).

### Operating

#### Refer to Controls Page Illustration

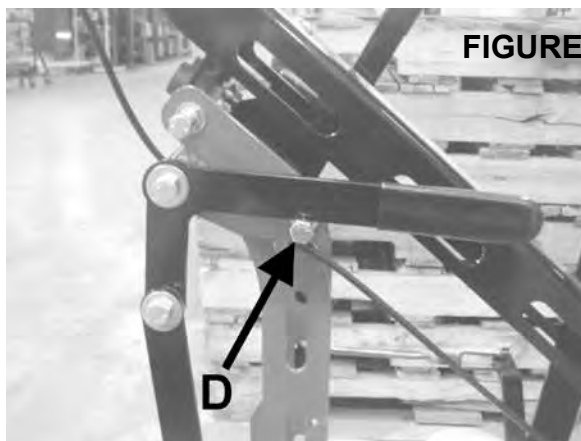
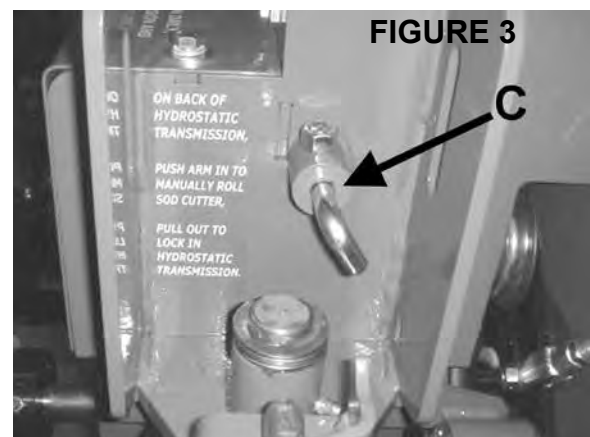
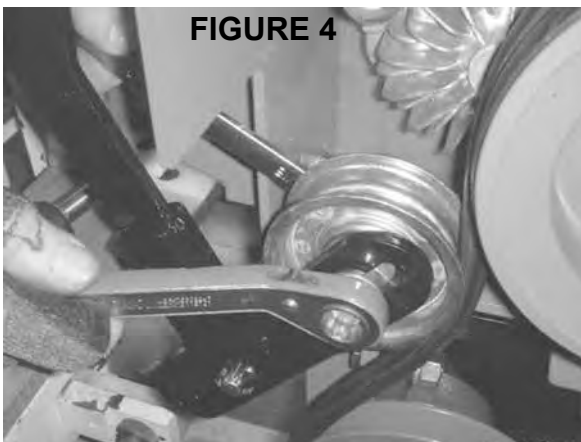
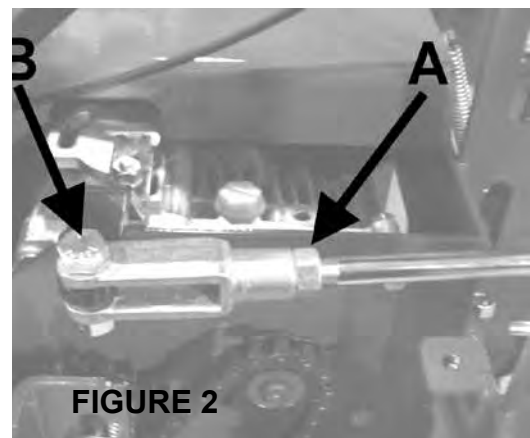
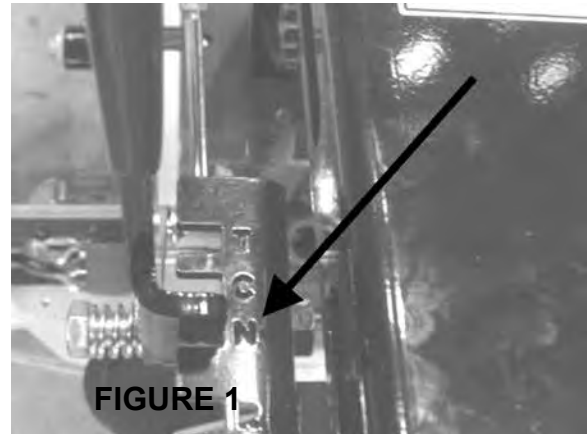
1. Start the engine. CAUTION: To avoid injury, do not place your feet or other body parts under the blade while starting the engine.
2. Select the correct cutting depth desired up to 2 1/2 inches. Loosen the knob **I** from the depth gauge plate, located under the Height Adjustment Bar **H**, and put it to the correct height setting. Tighten the knob.
3. Use the Wheel Drive Handle **F** to select "C". This is the proper speed for cutting sod. Push the Cutter Blade Handle **E** to the "ON" position towards the engine.
4. Raise the main handle upward so the front nose of the sod cutter rests on the ground.
5. Loosen the Height Adjustment Nut **G** and lower the Height Adjustment Bar **H** to rest on the depth gauge. Tighten the Height Adjustment Nut **G** securely so it will not loosen with the vibration of the machine.
6. From the operator's position lower the handle until the cutting blade rests on the ground. You are now ready to cut sod.
7. Pull the throttle **D** to the desired operating speed by pulling the finger throttle control toward you. Maximum engine rpm is recommended for smooth operation.
8. After cutting a short distance, stop machine by letting the finger throttle control go back to its original position. Check thickness of cut and adjust if necessary.
9. At the end of each cutting pass, lift up on the handle bar to clear the cutting blade from the sod. Retard the throttle control and turn machine around into the position for the next cut.
10. When finished cutting sod, reverse steps 6 through 3.

## NEUTRAL ADJUSTMENT

1. Put shift lever in Neutral Position (N). **Figure 1**
2. Loosen locking nut A on clevis, then remove bolt B and turn the clevis one way or the other to adjust neutral. **Figure 2.**
3. To check neutral setting, reassemble with control in neutral. Start the engine and pull pin C out. **Figure 3.** Increase engine RPM. The machine should NOT move. If machine moves, then repeat Steps 1-3 until set properly.

## BELT ADJUSTMENT

1. Remove belt cover.
2. Loosen the pulley and move up the slot for tighter belt tension. **Figure 4**
3. After tension has been adjusted, check the over center adjustment.
4. Loosen bolt D and move to where the lever snaps over center and stays engaged. **Figure 5** Note: Too much over center may cause the belt to get loose.
5. Reinstall belt cover.



## BELT DISENGAGEMENT

1. Remove belt cover for access.
2. Move blade engagement lever until idler is about 1/8" to 1/4" away from the back plate **Figure 6**
3. Adjust stop bolt E to the lever with idle 1/8" to 1/4" from back plate. **Figure 7**
4. Reinstall belt cover.

## REAR WHEEL LOCK OR SWIVEL

To allow rear wheel to swivel:

1. Pull pin F up and turn. **Figure 8 & 9**

To lock rear wheel:

1. Turn pin F.
2. Move wheel back and forth until pin drops back into locking hole. Figure

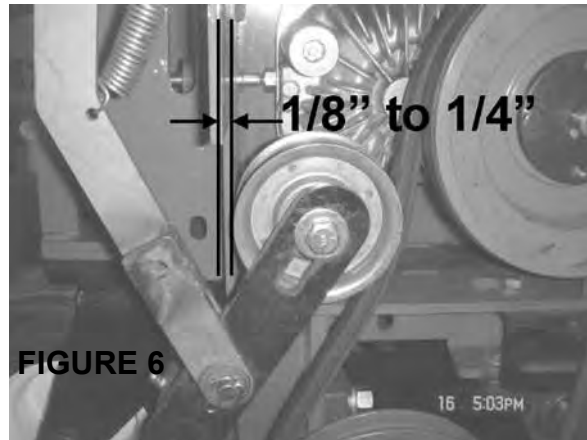


FIGURE 6

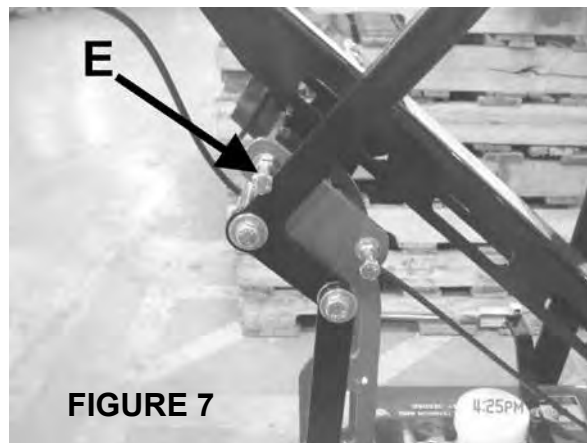


FIGURE 7



FIGURE 9

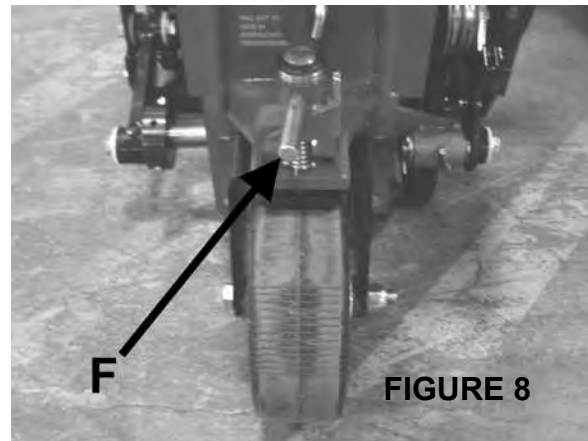


FIGURE 8



## WARNING

When replacement parts are required, use genuine Schiller Grounds Care, Inc. parts or parts with equivalent characteristics, including type, strength and material.

Failure to do so may result in product malfunction and possible injury to the operator and/or bystanders.

Carbon monoxide present in the exhaust is an odorless and deadly gas. Never start or run the engine inside where exhaust fumes can collect.

Provide enough fresh air to keep fumes from getting too strong. Replace any warning decal that becomes illegible immediately.

## WARNING

**BLADE SHARPENING** – Wear the appropriate personal protective equipment when sharpening blades. Use correct tools for sharpening or when servicing machine.

## GENERAL MAINTENANCE

To keep the sod cutter in good operating condition, perform the following:

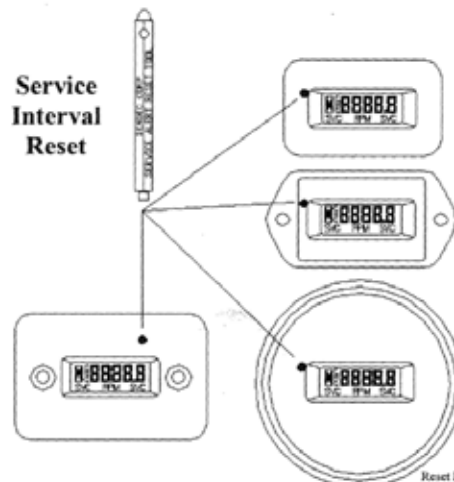
- Keep blade sharp; a sharp blade cuts cleaner, faster and more uniformly and places less load on the machine. Sharpen cutting edge on bevel or top side only.
- Keep drive belt at proper tension and free of oil and dirt at all times.
- Check engine oil level and air filter element daily.
- Check for loose bolts and connections.
- All grease fittings are pressurized type. Use a good grade Lithium Base Grease or equivalent. Grease eccentric arms sparingly every 4 hours of service, all others daily. Wipe off all grease fittings before and after each greasing (there are a total of 8 grease fittings).
- To make sure the chain on the front drive wheels is tight, you will need to remove the chain guard to check this. If tightening is required, loosen nuts and bolts on the 3/4" pillow block bearings and push the bearings toward the back of the sod cutter until chain is tight. Make sure both bearings go back evenly to keep jackshaft running even with the frame. Lubricate the chain on the inner circumference, the side facing the sprocket, with a light oil such as SAE20 or SAE30. An oiling can or spray can with a straw for application is recommended. Retighten nuts and bolts on the bearing and replace the chain guard.
- Engine (refer to Honda owner's manual).

## HOUR METER:

**SenDEC**  
CORPORATION

While *Fast Alert* is active, hold the tip of the Key Kancel Wand against the meter as shown. Dot indicates position for tip placement for the various meter case styles. With in several seconds, the display will stop flashing indicating the Service Interval has been reset.

For All Units Equipped With Key Kancel Option Using Wand For Reset



Reset Instruction Rev A  
0405/02 p/n 801-403

## Storage Instructions

### **⚠ WARNING**

To prevent possible explosion or ignition of vaporized fuel, do not store equipment with fuel in tank or carburetor in enclosure with open flame (for example, a furnace or water heater pilot light).

### Daily Storage

1. Check engine oil level and air filter element daily.
2. Check oil level in hydro drive. Gear box uses EP 140 Gear lube.
3. Close fuel valve at bottom of fuel tank.
4. Clean cutting blade (grass, dirt, etc.).

## Extended Storage

**Before the equipment is put into storage for any period exceeding 30 days:**

1. Drain all fuel from fuel tank and lines (use a hose or fuel line, routed from fuel tank shut-off to proper container).
2. Start engine and run until all fuel is used from the carburetor float bowl.
3. While engine is warm, check the transmission oil and refill with the proper weight of oil corresponding to the season when the equipment will next be used.
4. Remove the spark plug and squirt a small quantity of engine oil into the cylinder. Turn the engine over a few times to distribute the oil.
5. Lubricate all lubrication fittings.
6. Clean and oil cutting blade to prevent rust.

**To put equipment into operation after an extended storage:**

1. Fill fuel tank with clean fresh fuel.
2. Check crankcase oil level, and start engine.
3. Check fuel system for fuel leaks.



<b>PROBLEM</b>	<b>CAUSE</b>	<b>REMEDY</b>
Blade will not stay in ground	a. Bottom of blade is rounded off	a. Blade should be sharpened or replaced
Belts jump off	a. Wrong type of belt b. Pulley misalignment	a. Use only the special factory belt b. Realign pulley

**NOTES:** \_\_\_\_\_  
\_\_\_\_\_  
\_\_\_\_\_  
\_\_\_\_\_  
\_\_\_\_\_  
\_\_\_\_\_  
\_\_\_\_\_

**HSC18A5 & HSC18A8**

**ENGINE**

Model HSC18A5 ..... 4-cycle GX160 Honda  
..... 9.9 cu. in. (163 cc)

Model HSC18A8 ..... 4-cycle GX240 Honda  
..... 14.8 cu. in. (242 cc)

Starter ..... Recoil

Governor ..... 3400 RPM ± 200 RPM, no load

Clutch ..... spring loaded belt tightener type

**REDUCTION**

Engine to blade ..... 3.03 to 1

Engine to drive wheels ..... 57.2 to 1

**WHEELS:**

Drive ..... 8 5/8" (219 mm) Dia. w/knobby  
..... tread vulcanized to hub

Rear .... 8 x 1.75 (203 X 45mm) semi-pneumatic tires

**CUTTING WIDTH:**

HSC18A ..... 18"

**LUBRICATION**

Hydro Drive ..... 20W50

Transmission (Gearbox) ..... EP 140 Gear lube.

**Cutting depth** ..... up to 2-1/2"

**Blade speed** ..... 1200 RPM @ 3400 engine RPM

**DIMENSIONS**

Wheel Base ..... 22"

HSC18A5 ..... 52"L x 38"H x 24.5"W

HSC18A8 ..... 55"L x 38"H x 24.5"W

**WEIGHT**

**Dry Weights**

HSC18A5 ..... 336 lbs.

HSC18A8 ..... 359 lbs.

---

---

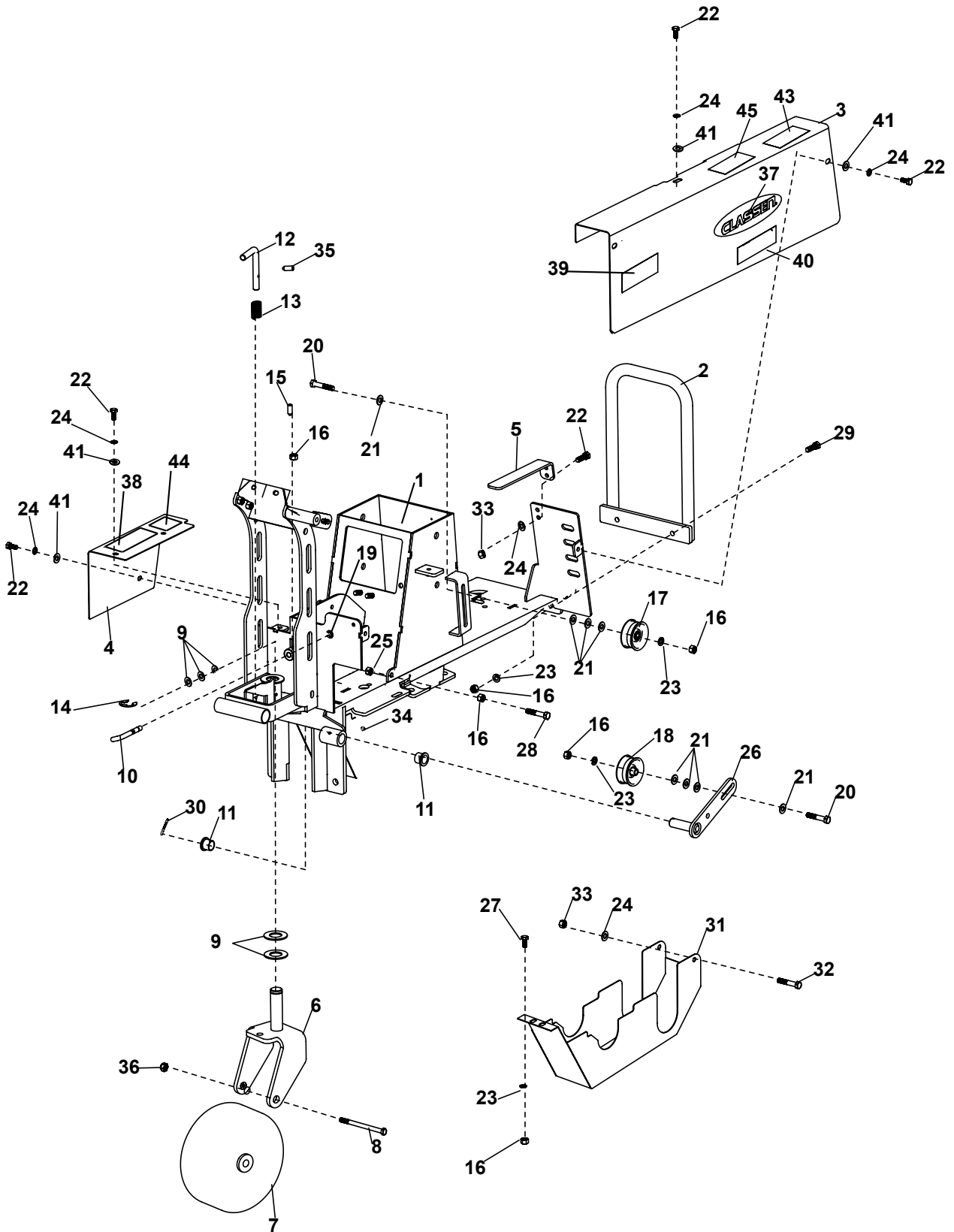
---

# **PARTS SECTION**

# MAIN FRAME ASSEMBLY

# PRO SOD CUTTER

FIGURE 1



# PRO SOD CUTTER

# MAIN FRAME ASSEMBLY

## FIGURE 1

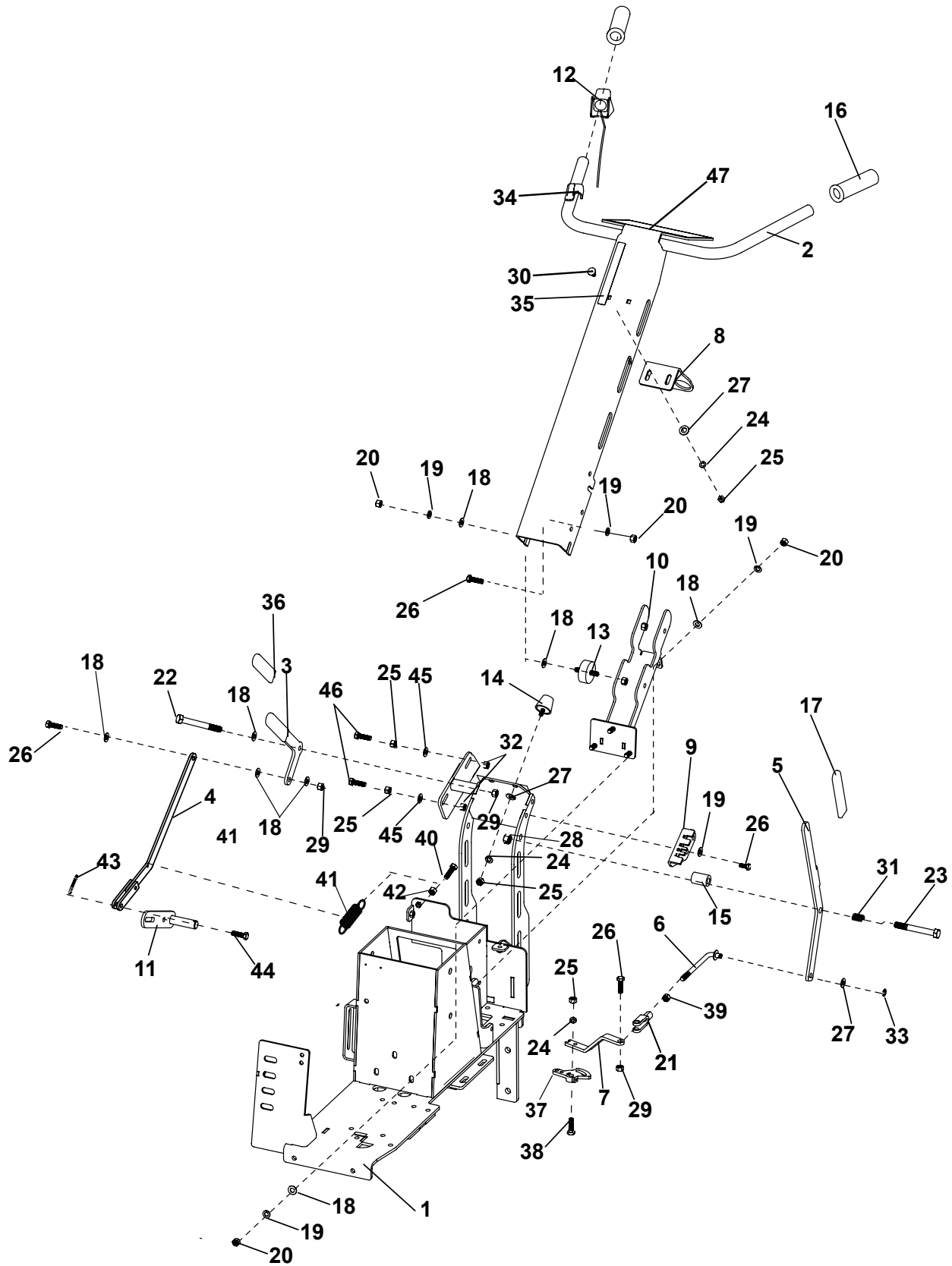
ITEM	PART NO.	DESCRIPTION	QTY	ITEM	PART NO.	DESCRIPTION	QTY
1	4172001	S-MAIN BODY HSC18	1	23	C500130	WASHER, 3/8 LOCK	5
2	C400236.17	BUMPER, 5.5HP	1	24	C500115	WASHER, 5/16 LOCK	8
	C400237.17	BUMPER, 8 HP		25	64268-03	NUT-3/8-16 NYLOCK	1
3	4172005	S-SHIELD,BELT, MAIN (INCLUDES ITEMS 43 & 45)	1	26	C400443.7	ARM, BLADE CLUTCH HYDRO	1
4	4172008	S-GUARD,CHAIN, HYDROSTAT (INCLUDES ITEM 44)	1	27	C500043	BOLT, 3/8-16 X 1	2
5	4172383.7	GUARD, FINGER HSC185	1	28	C500154	BOLT, 3/8-16 X 2-3/4	1
6	4171193.7	FORK-SWIVEL WHEEL	1	29	C500134	BOLT, 3/8-16 X 1-1/4	4
7	C100017	TIRE & WHEEL ASSY (9X350X4)	1	30	C500016	PIN, 5/32" X 1-1/4" COTTER	1
8	90-1048	BOLT-5/8-11 X 6 NC	1	31	4173099.7	CHAIN GUARD SCHV	1
9	64163-64	WSHR 1.015X1.500X14GA	5	32	C500219	BOLT, 5/16 X 5	1
10	C400251	HANDLE, NEUTRAL	1	33	C500101	NUT, 5/16-18	3
11	C100021	BUSHING, BRASS	2	34	C500001	GREASE FITTING, 1/4 X 28	2
12	C300203	L-PIN, SWIVEL WHEEL	1	35	C100617	PIN-ROLL	1
13	C100601	SPRING, SC SWIVEL WHEEL	1	36	64229-16	NUT-NYLON LOCK 5/8-11	1
14	64221-1	E-RING 25MM/1.000	1	37	4171963	DECAL, CLASSEN FLAT BLACK	1
15	C100501	PIN, 3/8" VLIER	1	38	C100559	DECAL-LUBRICATE	1
16	C500129	NUT, 3/8-16	7	39	4171824	LABEL - HSC18	2
17	C100010	PULLEY-IDLER	1	40	4171825	LABEL - CLASSEN PRO	1
18	38010-2A	IDLER PULLEY	1	41	C500083	WASHER-5/16 FLAT	1
19	64221-07	E-RING .375	1	42*	C100490	HYDRO MANUAL ROLL DECAL	1
20	C500091	BOLT, 3/8-16 X 2	2	43	2000577	LABEL WARNING	1
21	C500042	WASHER, 3/8 FLAT	7	44	4168760	LABEL WARNING - HAND PINCH	1
22	C500140	BOLT, 5/16-18 X 3/4	7	45	C100504	DECAL-SPARK ARRESTOR	1

\* NOT ILLUSTRATED

# HANDLE ASSEMBLY

# PRO SOD CUTTER

FIGURE 2



# PRO SOD CUTTER

# HANDLE ASSEMBLY

## FIGURE 2

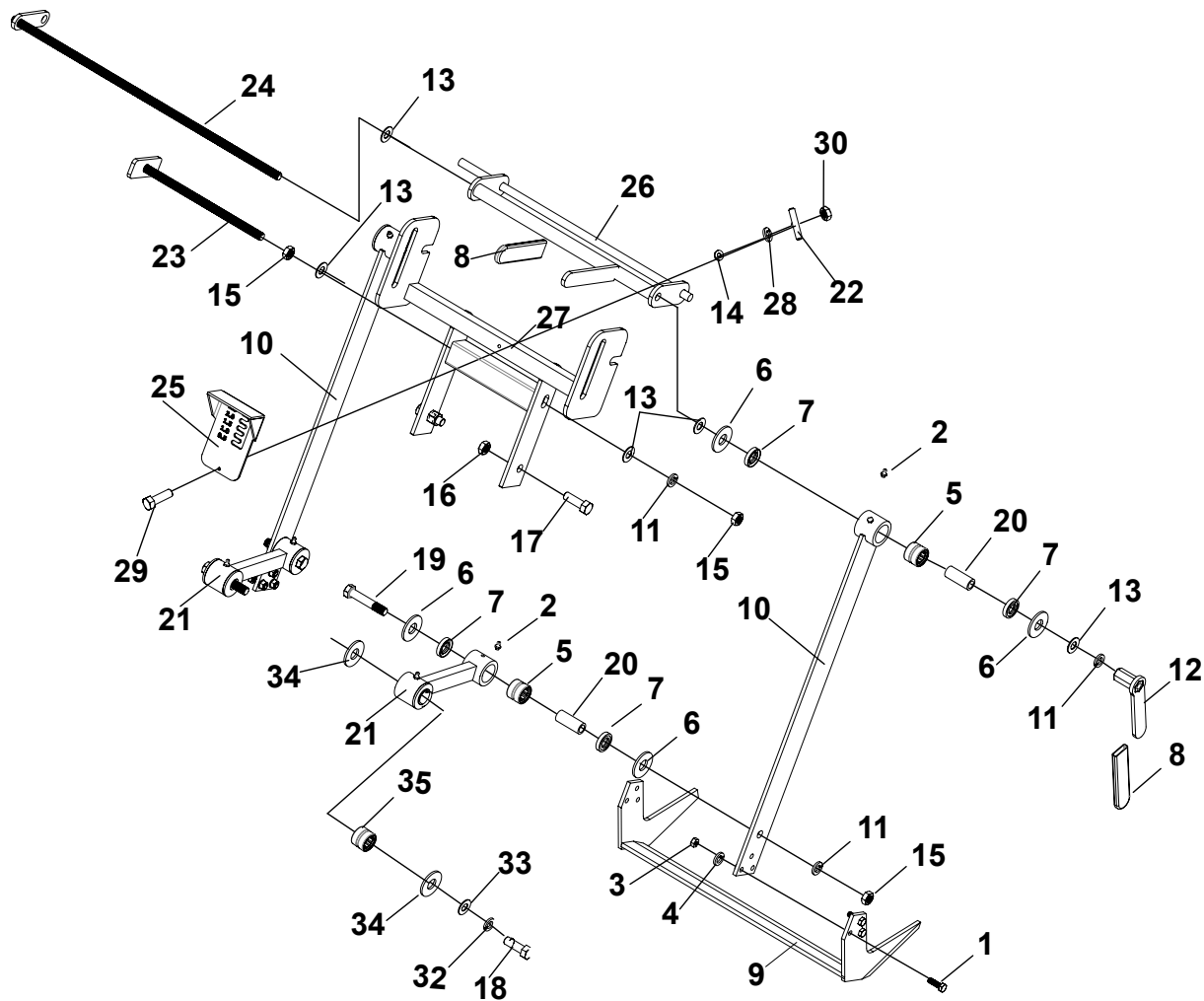
ITEM	PART NO.	DESCRIPTION	QTY	ITEM	PART NO.	DESCRIPTION	QTY
1	4172001	S-MAIN BODY HSC18	1				
2	4172003	S-MAIN HANDLE HSC18 (INCLUDES ITEMS 34-36)	1				
3	4171190.7	WLDMNT-HANDLE, ENGAGEMENT	1				
4	4171914.7	LINKAGE-ENGAGEMENT RH	1				
5	4171191.7	WLDMNT-HANDLE, CONTROL	1				
6	4171192	WLDMNT-HYDRO LINK	1				
7	4171228.7	ARM-SHIFTER	1				
8	4176912.7	DAMPENER-ISOLATION	1				
9	4171230.7	PLATE-SPEED SELECTOR	1				
10	4171194.7	BRKT-MOUNTING, RUBBER	1				
11	C400443.7	ARM, BLADE CLUTCH HYDRO	1				
12	C100486	FINGER THROTTLE & CABLE	1				
13	C100546	MOUNTS, VIBRATION	4				
14	C100635	RUBBER BUSHING, TAPERED	2				
15	4171701.7	BUSHING - 1/2ID X 1-1/2L	1				
16	C100018	GRIP, L.H. HANDLE	2				
17	4176911-02	GRIP-1X.125X4 YELLOW	1				
18	C500042	WASHER, 3/8 FLAT	14				
19	C500130	WASHER, 3/8 LOCK	9				
20	C500129	NUT, 3/8-16	15				
21	C500026	YOKE, 3/8 CLEVIS	1				
22	64123-328	BOLT-HEX 3/8-16 X 4-1/4	1				
23	90-0826	BOLT 1/2-13 X 3-1/4 NC	1				
24	C500115	WASHER, 5/16 LOCK	5				
25	C500101	NUT, 5/16-18	7				
26	C500134	BOLT, 3/8-16 X 1-1/4	9				
27	C500083	WASHER, 5/16 FLAT	2				
28	C500131	NUT, 1/2-13 LOCK	1				
29	C500041	NUT, 3/8-16 LOCK	2				
30	C500163	BLT-CRG 5/16-18 X 3/4	2				
31	C500065	SPRING-SPEED STOP	1				
32	64268-08	NUT-FL NYLON LOCK 5/16-18	2				
33	64221-07	E-RING .375	1				
34	4171618	LABEL-THROTTLE HSC18	1				
35	4171619	LABEL-BLADE ENGAGE	1				
36	4176911-01	GRIP-1X.125X4 GREEN	1				
37	C400249-1	CLUTCH ARM SCHV	1				
38	C500133	BOLT-5/16-18 X 1	1				
39	C500025	NUT-3/8-24	1				
40	C500029	BOLT-1/4-20 X 3/4	1				
41	C100034	SRING-1/4-20	1				
42	C500136	NUT-1/4-20	1				
43	02-CP0508	COTTER PIN 5/32 X 1 ZP	1				
44	64188-03	S-PIN CLEVIS 3/8X1-1/8	1				
45	C500088	WASHER-1/4 FLAT	2				
46	C500074	BOLT-5/16-18 X 1-3/4	2				
47	4176931	LABEL-HSC18 OPERATION	1				

\* NOT ILLUSTRATED

# CUTTER ASSEMBLY

# PRO SOD CUTTER

FIGURE 3





**PRO  
SOD CUTTER**

**CUTTER ASSEMBLY**

**FIGURE 3**

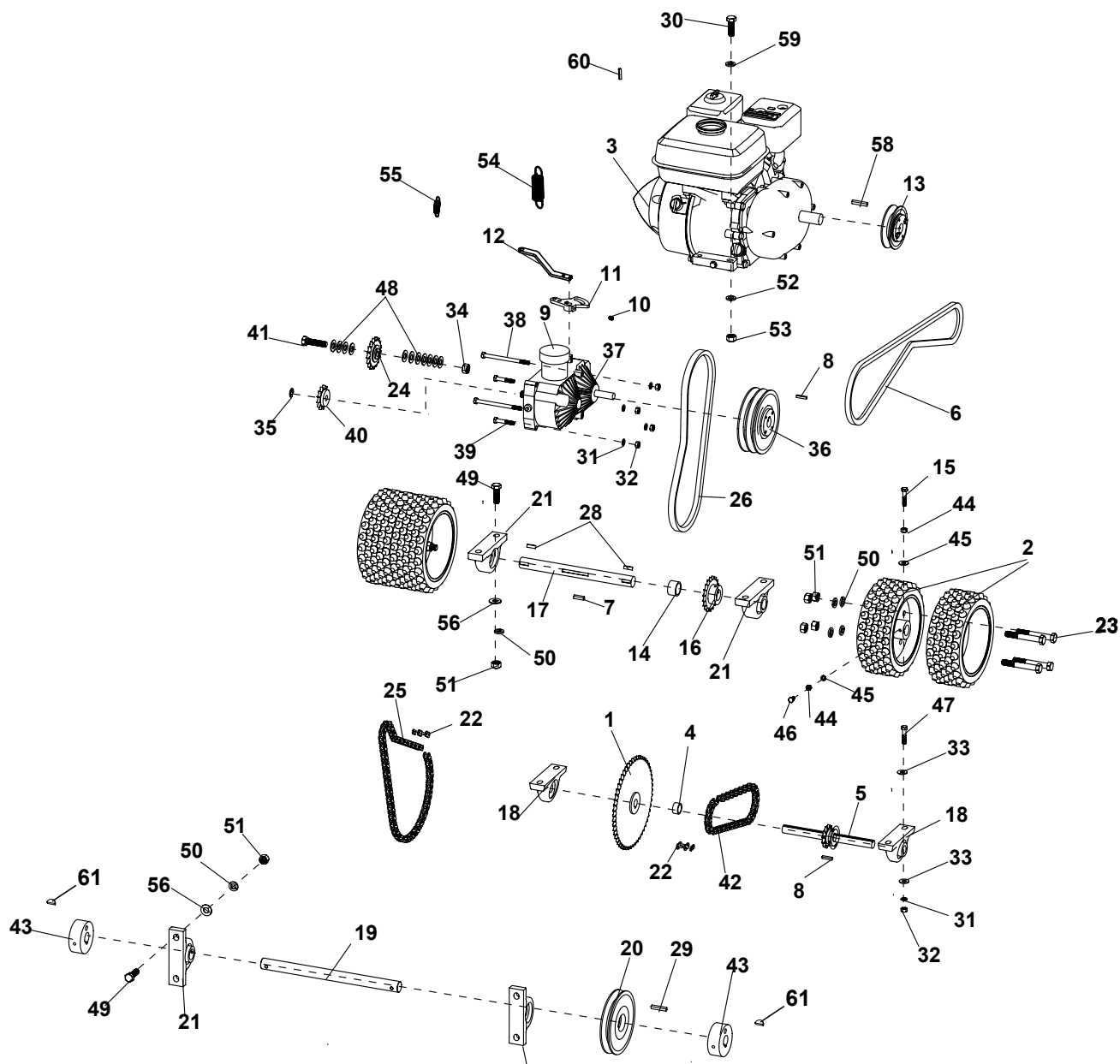
ITEM	PART NO.	DESCRIPTION	QTY	ITEM	PART NO.	DESCRIPTION	QTY
1	4175303	BLT-HEX 5/16-24X1 FL THD	6				
2	C500001	GREASE FITTING, 1/4 x 28	6				
3	64025-51	NUT, 5/16-24	6				
4	C500115	WASHER, 5/16 LOCK	6				
5	C100003	BEARING	4				
6	C100001	WASHER, 3/4 NYLON	8				
7	C100002	SEAL	8				
8	C100007	GRIP, RUBBER	2				
9	C100016.7	BLADE, 18" CUTTING	1				
10	4172017	S-ARM, BLADE (INCLUDES ITEM 31)	2				
11	C500006	WASHER, 1/2 LOCK	4				
12	C500007.7	NUT, 1/2 HANDLE	1				
13	C500034	WASHER, 1/2 FLAT	8				
14	C500088	WASHER, 1/4" FLAT	1				
15	C500106	NUT, 1/2-13	5				
16	C500131	NUT, 1/2-13 LOCK	2				
17	C500241	BOLT, 1/2-13 x 1	2				
18	C500249	BOLT, 1/2-20 x 1	2				
19	C500152	BOTL, 1/2-13 X 2-3/4	2				
20	C600001	STEEL SLEEVE	4				
21	4179027	S- ARM, ECCENTRIC -incl. items 2,5,6,7,20,34,35	2				
22	4172692	KNOB-PLASTIC	1				
23	C200004.7	BOLT ,PITCH ADJUSTMENT	1				
24	C200005.7	BOLT, HEIGHT ADJUSTMENT	1				
25	C300039.30	PLATE, DEPTH GAUGE	1				
26	C400001.7	BAR, HIEGHT ADJUSTMENT	1				
27	C400238.7	PITCH ADJUSTMENT BAR	1				
28	C500137	WASHER, 1/4 LOCK	1				
29	C500296	BOLT, 1/4 x 2-1/2 CARRIAGE	1				
30	C500068	NUT, 1/4-20 NYLOC	1				
31*	4164033	LABEL-CHF VERT	1				
32	C500272	WSHR-1/2" EXT LOCK	2				
33	C400412.7	WSHR-STEEL ENHANCED	2				
34	C100626	WSHR-PLASTIC	4				
35	C100625	BEARING ENHANCED	2				

\* NOT ILLUSTRATED

# POWER TRAIN ASSEMBLY

# PRO SOD CUTTER

FIGURE 4



# PRO SOD CUTTER

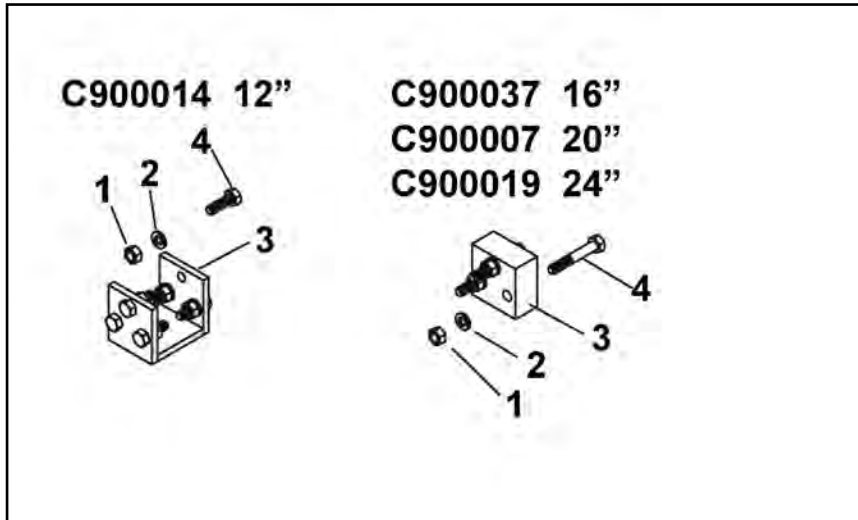
# POWER TRAIN ASSEMBLY

## FIGURE 4

ITEM	PART NO.	DESCRIPTION	QTY	ITEM	PART NO.	DESCRIPTION	QTY
1	C100493	SPROCKET, #40x54 w/ HUB	1	45	C500137	WASHER, 1/4 LOCK	4
2	4175021	S-WHEEL, 8-5/8 DRIVE	4	46*	4161646	PLUG-OIL USED ON 8HP ONLY	1
3	C100005	ENGINE HONDA 5.5HP	1				
	C100114	ENGINE-HONDA 8 HP					
4	C300204	SPACER, 3/4" JACK SHAFT	1	47	C500147	BOLT, 5/16-18 x 1-1/2	4
5	C200056	S-SPROCKET W/ SHAFT	1	48	C500034	WASHER, 1/2 FLAT	18
6	C100491	B55 V-BELT FOR 5.5HP	1	49	C500174	BOLT, 1/2-13 x 1-3/4	8
	C100503	B58 V-BELT FOR 8 HP		50	C500006	WASHER, 1/2 LOCK	16
				51	C500106	NUT, 1/2-13	16
7	C500004	KEY, 1/4 x 1 SQUARE	3	52	C500115	WASHER, 5/16 LOCK USED ON 5.5HP MODELS	4
8	C500011	KEY, 3/16 SQUARE X 1	2				
9	C100339	RESERVOIR, HYDROSTAT	1		C500130	WASHER, 3/8 LOCK USED ON 8HP MODELS	4
10	C500259	SET SCREW, 5/16-24 x 3/8	1				
11	C400249-1	CLUTCH ARM, SCH	1				
12	4171228.7	SHIFTER ARM, SCH	1	53	C500101	NUT-5/16-18 USED ON 5.5HP MODELS	4
13	C100028	PULLEY W/HUB & BOLTS	1				
14	C300001	SPACER, DRIVE SHAFT	1				
15	C500029	BOLT, 1/4-20 x 3/4	4		C500129	NUT, 3/8-16 USED ON 8HP MODELS	4
16	C200001	SPROCKET W/HUB, DRIVE SHAFT	1				
17	4171051	SHAFT, 12" DRIVE	1				
18	C100013	BEARING W/ ECCENTRIC, 3/4"	2	54	C100027	SPRING, THROTTLE	1
19	C600003	SC-18 1" ECENTRIC SHAFT	1	55	C100501	SPRING, PLUNGER	1
20	C200002	PULLEY W/HUB & BOLTS, 6"	1	56	64163-67	WSHR-.516X1X12GA	8
21	C100004	BEARING W/ECCENTRIC, 1"	4	57*	B222522	DEFLECTOR, EXHAUST USED ON 5.5HP ONLY	1
22	C100025	LINK, #40 CONNECTING	2				
23	C500158	BOLT, 1/2-13 x 3-1/2	8				
24	C100043	SPROCKET, #40x17x1/2 IDLER	1	58	C500036	KEY-7MM SQUARE	1
25	C100494	#40 X 76 ROLLER	1	59	C500083	WASHER, 5/16 FLAT USED ON 5.5 HP	4
26	C100513	B38 V-BELT	1				
27	C500001	GREASE FITTING, 1/4 x 28	4				
28	64164-51	KEY-SQ 1/4 X 1-1/4 ROUNDED	2		C500042	WASHER, 3/8 FLAT USED ON 8 HP	
29	C500181	KEY, 1/4 x 1-1/2 SQUARE	1				
30	C500147	BOLT-5/16-18 X 1-1/2 USED ON 5.5HP MODELS	4	60	C100244	WIRE SWIVEL	1
				61	C500003	KEY-1/4 X 7/8 HALF MOON	2
	C500079	BOLT-3/8-16X1-3/4 USED ON 8HP MODELS	4				
31	C500115	WASHER, 5/16 LOCK	6				
32	C500101	NUT, 5/16-18	6				
33	C500083	WASHER, 5/16 FLAT	4				
34	C500131	NUT, 1/2-13 LOCK	1				
35	C100433	RING, 1/2" SNAP	1				
36	C200054	S-SHEAVE, 2BK62H BUSHING	1				
37	C100311	HYDROSTAT	1				
38	C500168	BOLT, 5-16-18 x 4-1/2	2				
39	C500074	BOLT, 5/16-18 X 1-3/4	2				
40	C200044	SPROCKET, 13 TOOTH	1				
41	C500135	BOLT, 1/2-13 x 21/2	1				
42	C100495	#40 X 50 ROLLERS	1				
43	4179029	S- ECCENTRIC HUB SET (INCL. (2) HUBS AND (2) ITEM 61)	1				
44	C500136	NUT,1/4-20	4				

**\*NOT ILLUSTRATED**

**BLADE CONVERSION KITS:**

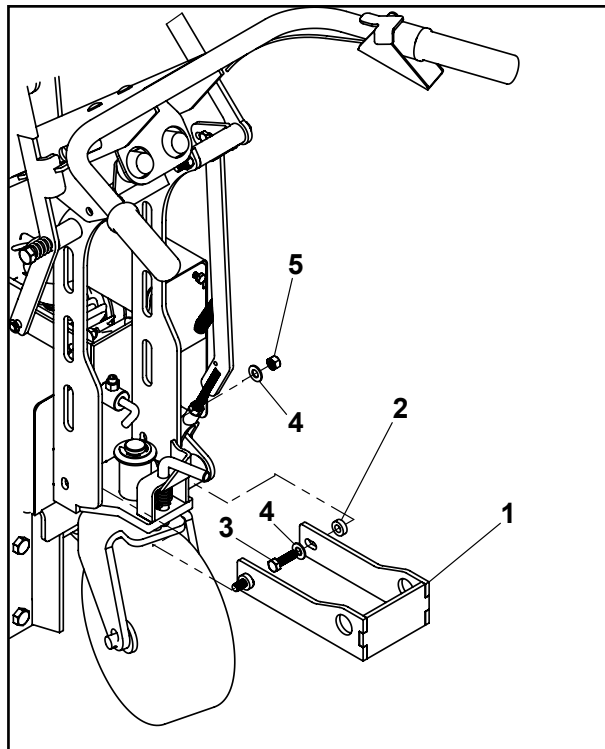


- KITS:  
 C900007                    20" BLADE CONVERSION KIT  
 C900014                    12" BLADE CONVERSION KIT  
 C900019                    24" BLADE CONVERSION KIT  
 C900037                    16" BLADE CONVERSION KIT

ITEM	PART NO.	DESCRIPTION	QTY
1	C500115	WASHER, 5/16 LOCK	16
2	C500101	NUT, 5/16-18	2
3	C400011	12" BLADE ADAPTOR	2
	C300417	16" BLADE ADAPTOR	2
	C300047	20" BLADE ADAPTOR	2
	C400188	24" BLADE ADAPTOR	2
4	C500142	5/16" x 2" BOLT (HSC-16, HSC-20, HSC-24)	6
	C500133	5/16" x 1" BOLT (HSC-12)	12

NOTE: THIS TRAILER HITCH IS FOR CLASSEN AST AERATOR/SODCUTTER TRAILER

**TRAILER HITCH KIT (970544)**



<b>Item</b>	<b>P/N</b>	<b>Description</b>	<b>Qty</b>
1	4172014.7	WLDMNT-HSC18 TRAILER HITCH	1
2	33148-01	SPACER-.379X.75X.25	2
3	C500134	BLT-3/8-16 X 1-1/4	2
4	C500042	WSHR-3/8" FLAT	4
5	C500041	NUT-3/8-16 LOCK	2

# Classen Warranty Statement

## 2-Year Limited Warranty

This Classen Product is warranted against defects in materials and workmanship for a period of two (2) years from the date of purchase from an authorized dealer under the following terms and conditions. Schiller Grounds Care's responsibility under this limited warranty is restricted to repairing or replacing, at its option, any covered part found to be defective in material or workmanship during the warranty period. All parts replaced under warranty will be considered as part of the original product and any warranty on the replaced parts will expire coincidentally with the original product warranty.

SCHILLER GROUNDS CARE, INC. MAKES NO EXPRESS OR IMPLIED WARRANTIES, REPRESENTATIONS, OR PROMISES EXCEPT THOSE CONTAINED HEREIN. THERE ARE NO OTHER WARRANTIES, INCLUDING WARRANTIES OF MERCHANTABILITY AND FITNESS FOR A PARTICULAR PURPOSE. ALL WARRANTIES OTHER THAN THE EXPRESS WARRANTY SET FORTH ABOVE ARE SPECIFICALLY DISCLAIMED. THE DURATION OF ANY IMPLIED WARRANTY, INCLUDING MERCHANTABILITY AND FITNESS FOR A PARTICULAR PURPOSE, IS LIMITED TO THE DURATION OF THIS WRITTEN LIMITED WARRANTY.

**To Obtain Warranty Service** - Warranty service must be performed by an authorized Classen dealer. To locate a dealer, please visit: [www.classenturfcare.com](http://www.classenturfcare.com) and click on FIND A DEALER. For further assistance, write or email the Technical Services Department of Schiller Grounds Care

Schiller Grounds Care, Inc.  
1028 Street Road  
Southampton, PA 18966  
[techservicesupport@schillergc.com](mailto:techservicesupport@schillergc.com)

## *ABOUT YOUR WARRANTY*

The warranty period begins on the date of purchase by the original retail or commercial customer from an authorized Classen dealer and is not transferable. Warranty service must be performed by an authorized Classen dealer. If a warranty replacement becomes necessary, the authorized dealer must be prepared to provide the physical component for verification (freight prepaid) upon request from Schiller Grounds Care. Warranty service will be performed without charge to the original purchaser for parts and labor. The original purchaser is responsible for the expense of delivering the equipment, part, or accessory to and from an authorized dealer's service center. The purchaser is responsible for any premium charged for overtime labor requested by the purchaser and for any service and/or maintenance not directly related to any defect covered under this limited warranty. Proof of purchase will be required to substantiate any warranty claim. Without proof of the initial purchase date from an authorized dealer, the manufacturing date of the product will be used to establish the warranty period.

## *EXCLUSIONS*

This warranty only covers defects in materials or workmanship.

**Engines and Other Manufacturers** - Schiller Grounds Care makes no warranty with respect to engines or engine parts such as spark plugs, lubricants, starters, and carburetors. The engine warranty is covered by the engine manufacturer. Consult the Operator's Manual for the engine provided with your product or ask an authorized dealer for the terms and conditions of these warranties. Schiller Grounds Care makes no warranty with respect to other parts not of its manufacture such as tires, batteries, gearboxes, or similar. These other parts may be covered by the warranties of their respective manufacturers.

**Wear Items** - This limited warranty does not cover damages or defects from normal wear and tear. This limited warranty does not include routine maintenance and normal maintenance parts, including but not limited to tires, batteries, transmissions, clutches, filters, gearboxes, blades, tines, belts, chains, cables, or bearings.

**Negligence and Improper Maintenance or Repair** - This limited warranty does not cover any equipment that has been subject to lack of reasonable and proper maintenance, misuse, lack of proper storage, or accidents. This limited warranty does not cover any damage to the equipment that is caused by a freight carrier or is the result of failure to follow the operating instructions within the Owner's Manual. This limited warranty does not cover any defects due to repairs, modifications, or alternations made to the product by anyone other than Schiller Grounds Care or its authorized dealers. In addition, this limited warranty does not cover repairs made necessary due to a lack of proper protection during storage. This limited warranty does not cover damage caused by the use of parts, supplies, or accessories, including, without limitation, filters, spark plugs, carburetors, ignition, drive belts, brakes, gasoline, fuel, oil, or lubricants, which in the reasonable judgment of Schiller Grounds Care, are either incompatible with the product, adversely affect its operation, performance, durability or are other than as recommended in the Operator's Manual or other operational instructions provided by Schiller Grounds Care.

# Classen Warranty Statement

**Improper Use** - This limited warranty does not cover any Classen Product, part, or accessory that (i) has been subject to misuse, abuse, neglect, negligence, or accident, or that has not been assembled, operated, or maintained in accordance with the operating or maintenance instructions specified in the Operator's Manual; or (ii) has been altered or modified so as to adversely affect its operation, performance or durability, or that has been altered or modified in ways not approved by Schiller Grounds Care. To the extent permitted by law, neither Schiller Grounds Care nor any company affiliated with it makes any warranties, representations, or promises as to the quality, performance, or freedom from defect of the Classen Product, part, or accessory covered by this limited warranty. The authorized dealer makes no warranty of its own and such dealer has no authority to make any representation, warranty, or promise on behalf of Schiller Ground Care or to modify the terms or limitations of this limited warranty in any way.

**Other Exclusions** - This limited warranty does not include reconditioned, refurbished, used, or demonstration equipment. This limited warranty excludes failures due to acts of nature beyond the manufacturer's control.

**Extended Warranty** - Schiller Grounds Care disclaims responsibility for any separately purchased extended warranty. ALL WARRANTIES OTHER THAN THE EXPRESS WARRANTY SET FORTH ABOVE ARE SPECIFICALLY DISCLAIMED. THE DURATION OF ANY IMPLIED WARRANTY, INCLUDING MERCHANTABILITY AND FITNESS FOR A PARTICULAR PURPOSE, IS LIMITED TO THE DURATION OF THIS WRITTEN LIMITED WARRANTY.

**Disclaimer of Consequential Damage** - Schiller Grounds Care disclaims any responsibility for incidental or consequential damages including, but not limited to, the expense for gasoline, the expense of delivering the product to an authorized service dealer, the expense of returning the product to the purchaser, mechanic's travel time, telephone charges, rental of a like product during the repair timeframe, travel, loss of revenue, loss of time, or inconvenience. SCHILLER GROUNDS CARE, INC. DISCLAIMS ALL LIABILITY FOR INDIRECT, INCIDENTAL, AND/OR CONSEQUENTIAL DAMAGES IN CONNECTION WITH THE USE OF THE CLASSEN PRODUCTS COVERED BY THIS LIMITED WARRANTY. SOME STATES DO NOT ALLOW LIMITATIONS ON HOW LONG AN IMPLIED WARRANTY LASTS AND/OR DO NOT ALLOW THE EXCLUSION OR LIMITATION OF INCIDENTAL OR CONSEQUENTIAL DAMAGES, SO THE ABOVE LIMITATIONS AND EXCLUSIONS MAY NOT APPLY TO YOU. THIS WARRANTY GIVES YOU SPECIFIC LEGAL RIGHTS, AND YOU MAY ALSO HAVE OTHER RIGHTS WHICH VARY FROM STATE TO STATE.