



**CORE CUT
PARTS LIST MANUAL**

**CC2525KCP
(PROPANE)**

Blade / Engine Speed (RPM) Chart Model CC2500 Concrete Saw

CAUTION: Do not exceed Bladeshift speed (RPM) shown for each blade size. Excessive Blade Speed could result in blade breakage and serious personal injury.

Gasoline and Propane Engine Speeds				
Blade Size	Bladeshift		Engine	
	No Load RPM	Sheave Size	No Load RPM	Sheave Size
14"	2,625	4.12"	3,600	3.00
18"	2,625	4.12"	3,600	3.00
20"	2,625	4.12"	3,600	3.00
24"	2,025	4.75"	3,200	3.00
26"	2,025	4.75"	3,200	3.00

Electric Motor Speeds				
Blade Size	Bladeshift		Motor	
	No Load RPM	Sheave Size	No Load RPM	Sheave Size
14"	2,625	4.12"	3,600	3.00
18"	2,625	4.12"	3,600	3.00
20"	2,625	4.12"	3,600	3.00
24"	2,275	4.75"	3,600	3.00
26"	2,275	4.75"	3,600	3.00

CAUTION: When changing blade size, use chart shown below for selecting items that must be changed.

BLADE SIZE	MAX DEPTH OF CUT
14"	4-3/8"
18"	6-3/8"
20"	7-3/8"
24"	9-3/8"
26"	10-3/8"

MODEL CC2500	14"	20" 26"	
Blade Guard Assembly	6010950	6010952	6010954
Bladeshift Sheave (Sheave Size)	6047947 (4.12")	6047947 (4.12")	6047948 (4.75")

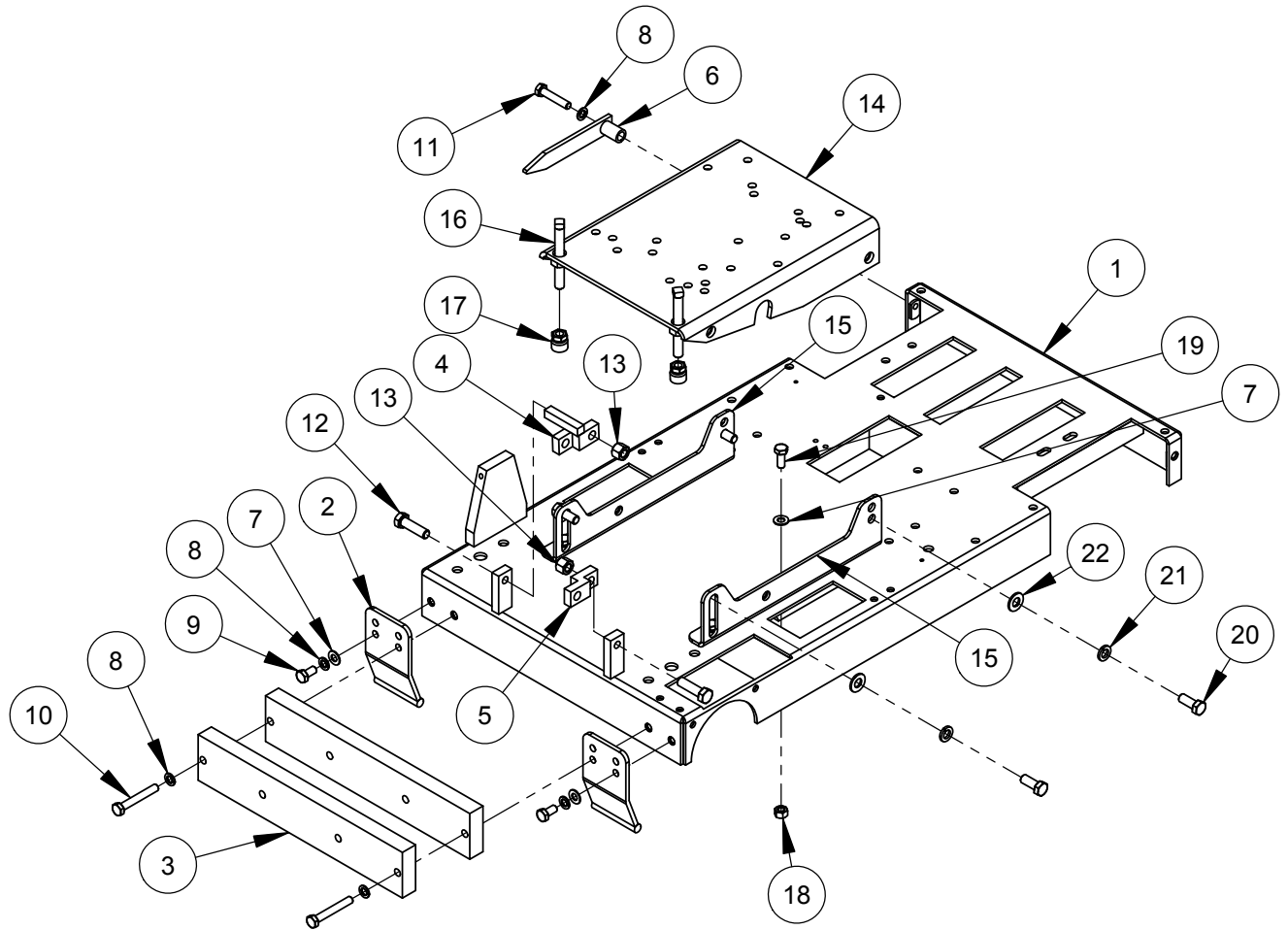
TABLE OF CONTENTS

Quick Reference Service Filters/Belts.....	4	Electric Power Raise Option Wiring Dia.....	42
Frame Base Assembly	5	Water Pump Option Wiring Diagram	43
Upright Assembly.....	6	Spot Light Option Wiring Diagram.....	44
Control Panel Assembly	7	Decals	45-46
Belt Shield Assembly	8	Warranty	Rear Cover
Depth Indicator Assembly	9		
Water Supply Assembly	10		
Front Pointer Assembly	11		
Frame Lift Assembly	12-13		
Front Axle Assembly.....	14		
Rear Axle Assembly	15		
Screw Feed Assembly.....	16-17		
Blade Shaft Assembly, 14, 20"	18		
Blade Shaft Assembly, 26"	19		
Battery Assembly	20		
Muffler Assembly, 25HP Kohler.....	21		
Engine Assembly, 25HP Kohler EFI.....	22-23		
Transmission Assembly.....	24-25		
Blade Guard 14"	26-27		
Blade Guard 20"	28-29		
Blade Guard 26"	30-31		
Hydraulic Power Raise Option	32-33		
Electric Power Raise Option.....	34-35		
Frame Lift/Propane Mt. Power Raise Option ...	36		
Water Pump Option	37		
Spotlight Light Kit Option.....	38		
Electrical Schematic.....	39		
Water Safety Switch Option	40		
Hydraulic Power Raise Option Wiring Dia.	41		

Quick Reference Service Filters/ Belts

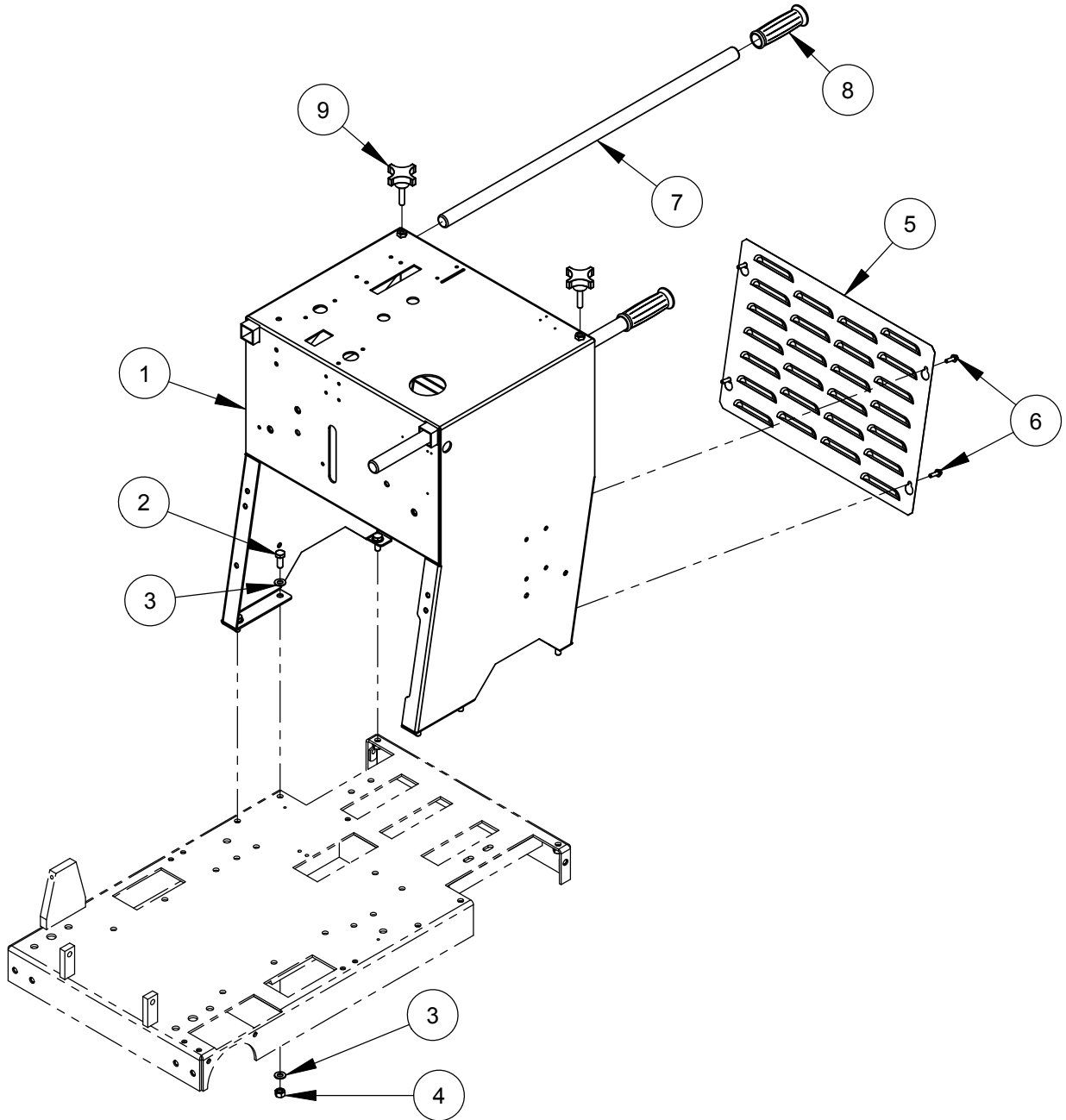
<u>DP Part No.</u>	<u>Description</u>	<u>Manufacturer's Part No.</u>
2704135	Primary Air Filter for 25HP Kohler	(Gardner #25 083 01-S)
2704134	Inner Air Filter for 25HP Kohler	(Gardner #25 083 04-S)
2704136	Oil Filter for 25HP Kohler	(Gardner #52 050 02-S)
2500793	Blade Shaft Belt (4) for Kohler Engine	(Gates #3VX425)
2500849	Transmission Belt for All Gas Engines	(Gates #4L-500)

Frame Base Assembly #6047700



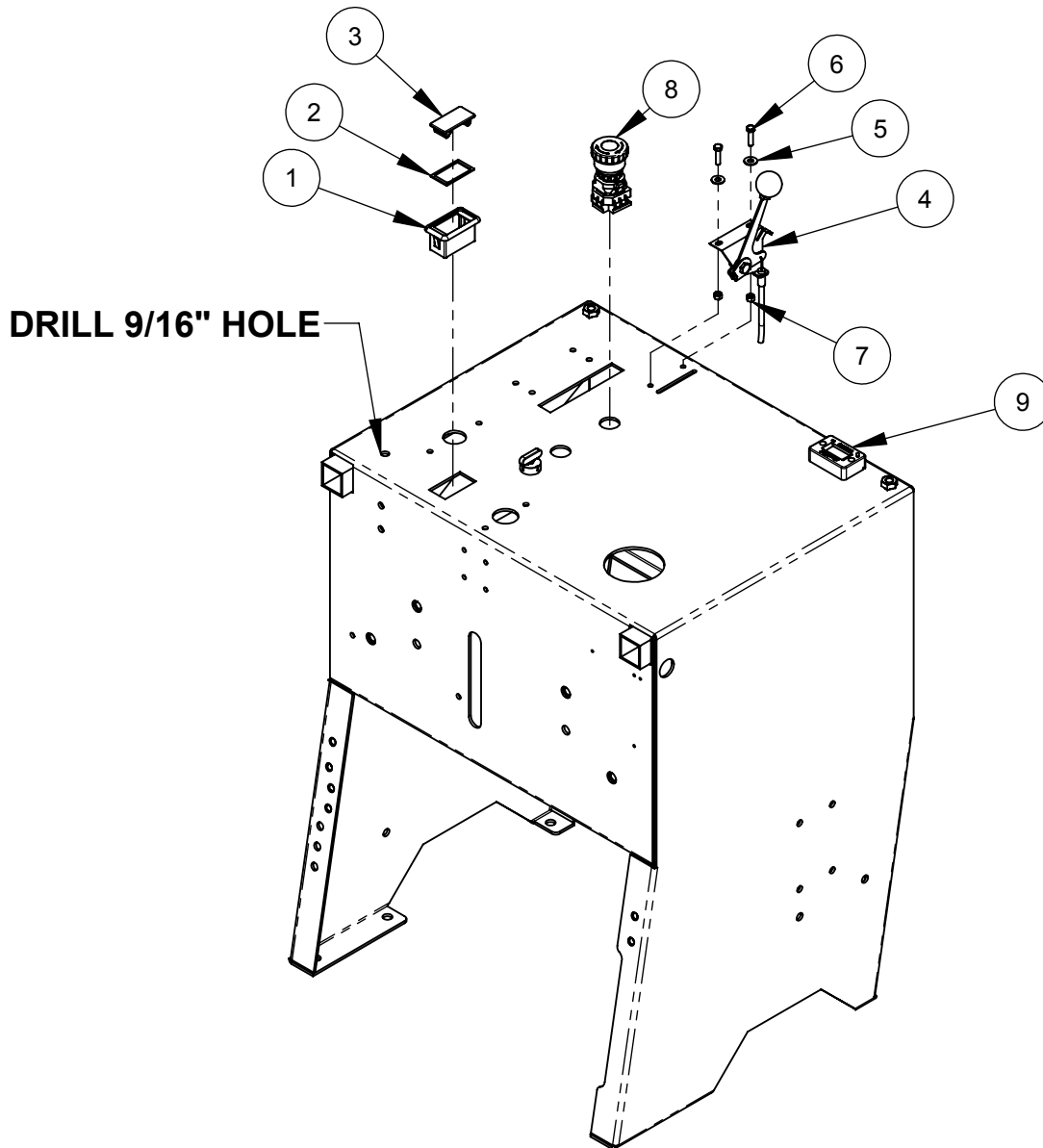
ITEM PART	NO.	QTY.	DESCRIPTION
1	6047900A	1	Frame Base
2	6011021	2	Skid Plate
3	6048067	2	Saw Weight, 13 Pound
4	6047949	1	Pointer Extension with Stop
5	6047976	1	Pointer Extension
6	6010022	1	Rear Pointer
7	2900014	8	Flat Washer, 3/8" SAE
8	2900321	5	Lock Washer, M10 Split
9	2900314	2	Cap Screw, Hex Hd., M10-1.5 x 20mm
10	2900334	2	Cap Screw, Hex Hd., M10-1.5 x 70mm
11	2900318	1	Cap Screw, Hex Hd., M10-1.5 x 50mm
12	2900139	2	Cap Screw, Hex Hd., 1/2-13 x 1-3/4"
13	2900026	2	Lock Nut, 1/2-13 Nylon
14	6041164	1	Engine Base Assembly
15	6047909	2	Engine Base Mount
16	2900027	2	Set Screw, Sq. Hd., 1/2-13 x 4"
17	2900722	2	Swivel Pad, 1/2-13
18	2900304	6	Lock Nut, M10-1.5 Nylon Insert
19	2900333	6	Cap Screw, Hex Hd., M10-1.5 x 25mm
20	2900330	4	Cap Screw, Hex Hd., M12-1.75 x 30mm
21	2900084	4	Lock Washer, 1/2" Split
22	2900058	4	Flat Washer, 1/2" SAE

Upright Assembly #6047701



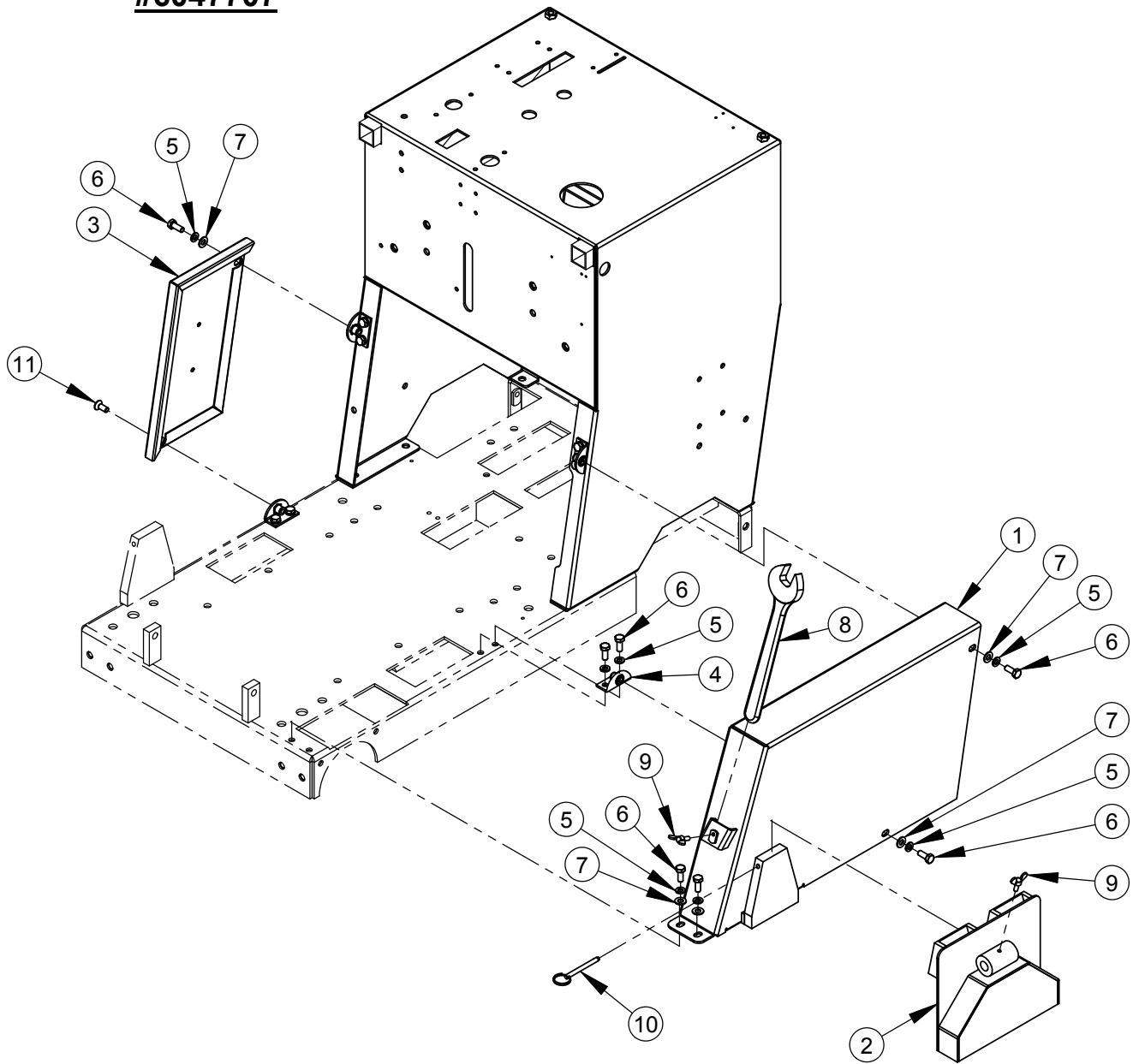
ITEM PART	NO.	QTY.	DESCRIPTION
1	6047901	1	Frame Upright Weldment
2	2900333	6	Cap Screw, Hex Hd., M10 x 25mm
3	2900014	12	Flat Washer, 3/8" SAE
4	2900304	6	Lock Nut, M10-1.5 Nylon Insert
5	6047919	1	Rear Cover Screen
6	2900328	4	Cap Screw, Hex Flange Hd., M6 x 20mm
7	6013054	2	Handle Bar, 30" Long
8	2500636	2	Handle Grip
9	2900234	2	Hand Lock Knob, 3/8"-16

Control Panel Assembly (Propane) #6040896



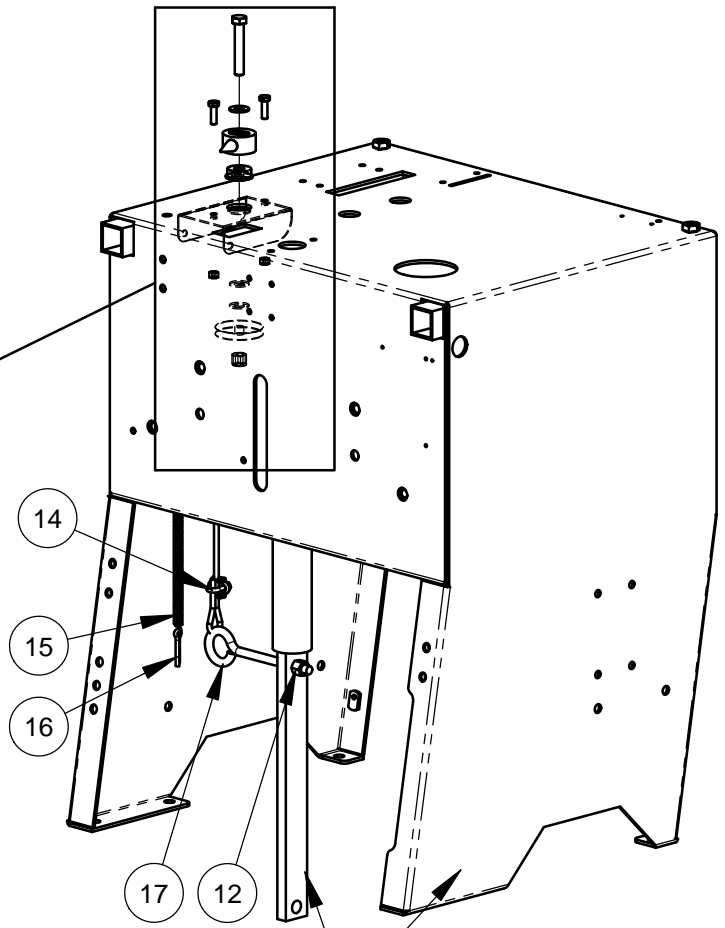
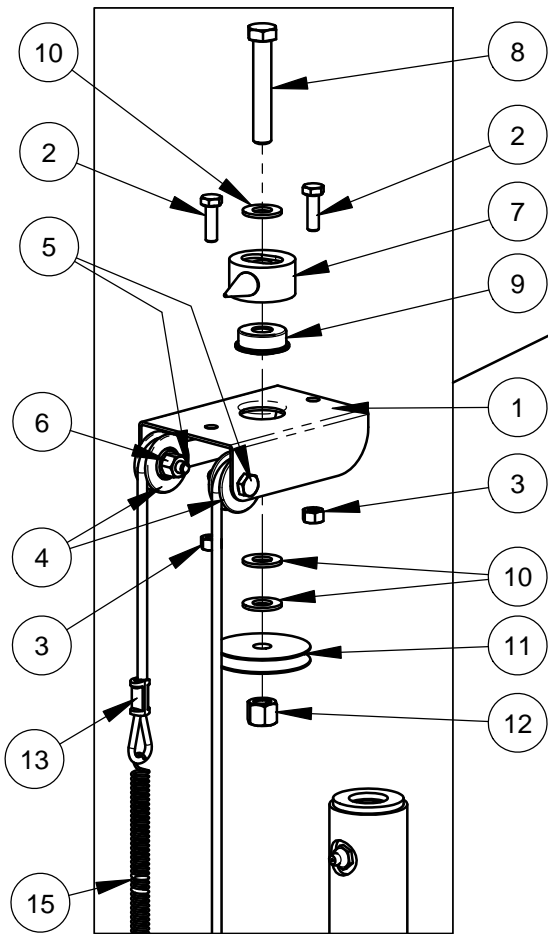
ITEM	PART NO.	QTY.	DESCRIPTION
1	2800260	1	Rocker Mount Panel
2	2800261	1	Rocker Panel Gasket
3	2800262	1	Rocker Mount Panel Plug
4	2500810	1	Throttle Control, 36"
5	2900016	2	Flat Washer, #10 USS
6	2900309	2	Cap Screw, Hex Hd., M5-0.8 x 20mm
7	2900301	2	Lock Nut, M5-0.8 Nylon Insert
8	2801367	1	E-Stop Switch
9	2801502	1	Tach/Hour Meter, W/#6 Screws

Belt and Shield Guard Assembly
#6047707



ITEM	PART NO.	QTY.	DESCRIPTION
1	6047917A	1	Belt Guard Weldment
2	6010555	1	Shaft/Flange Guard (Narrow)
3	6048062	1	Slurry Shield
4	6048064	4	Guard Mounting Tab Assembly, 90 Deg.
5	2900031	13	Lock Washer, 5/16" Split
6	2900329	13	Cap Screw, Hex Hd., M8-1.25 x 20mm
7	2900022	5	Flat Washer, 5/16" SAE
8	2500211	1	Wrench, 15/16" Open End
9	2900307	2	Wing Screw, M6 x 16mm
10	2900156	1	Lock Pin with Ring
11	2900611	1	Cap Screw, Flat Hd., M8-1.25 x 20mm

6047946 CC2500
Depth Indicator Assembly

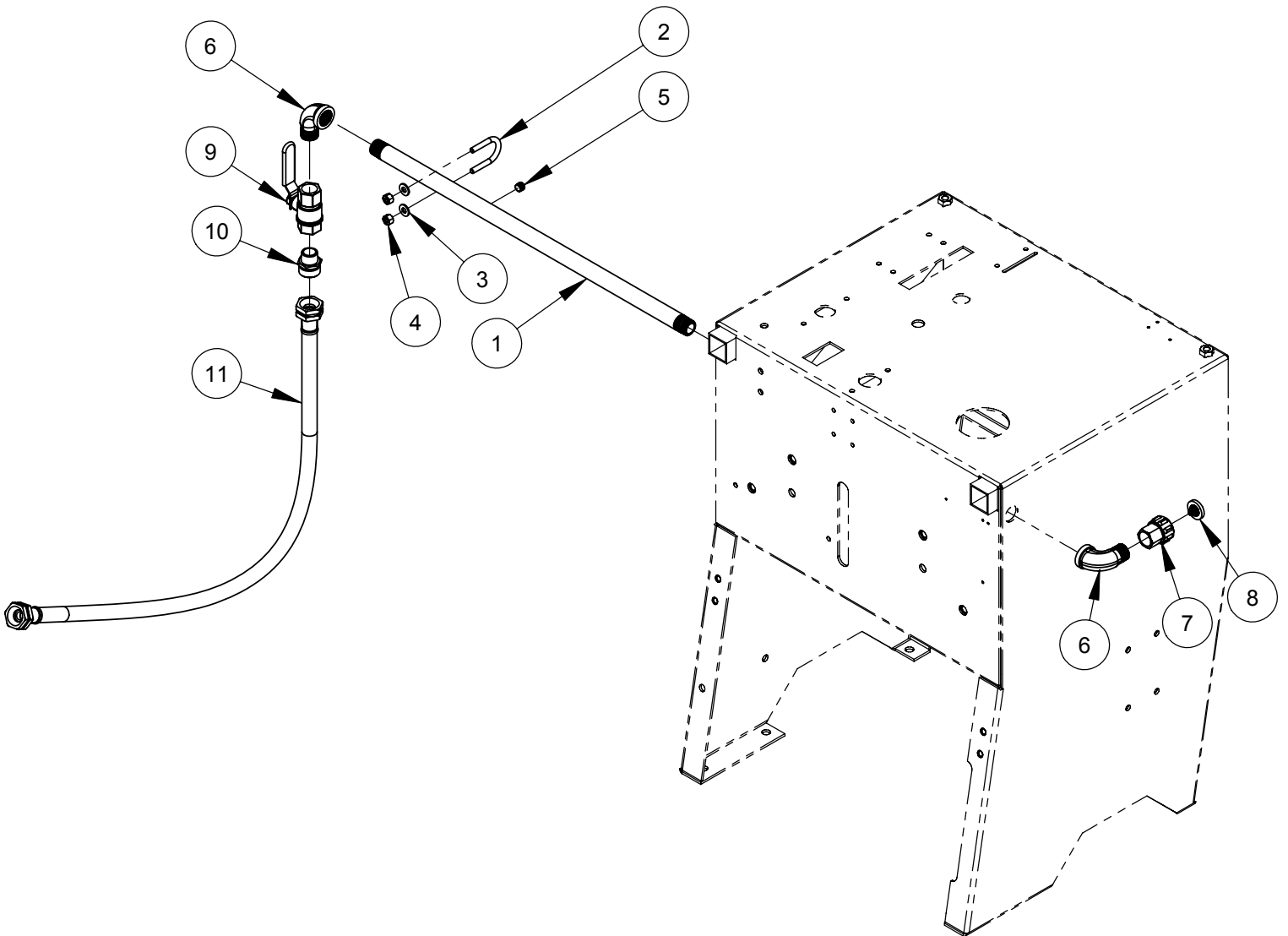


Shown as Reference

DETAIL A
SCALE 1 : 4

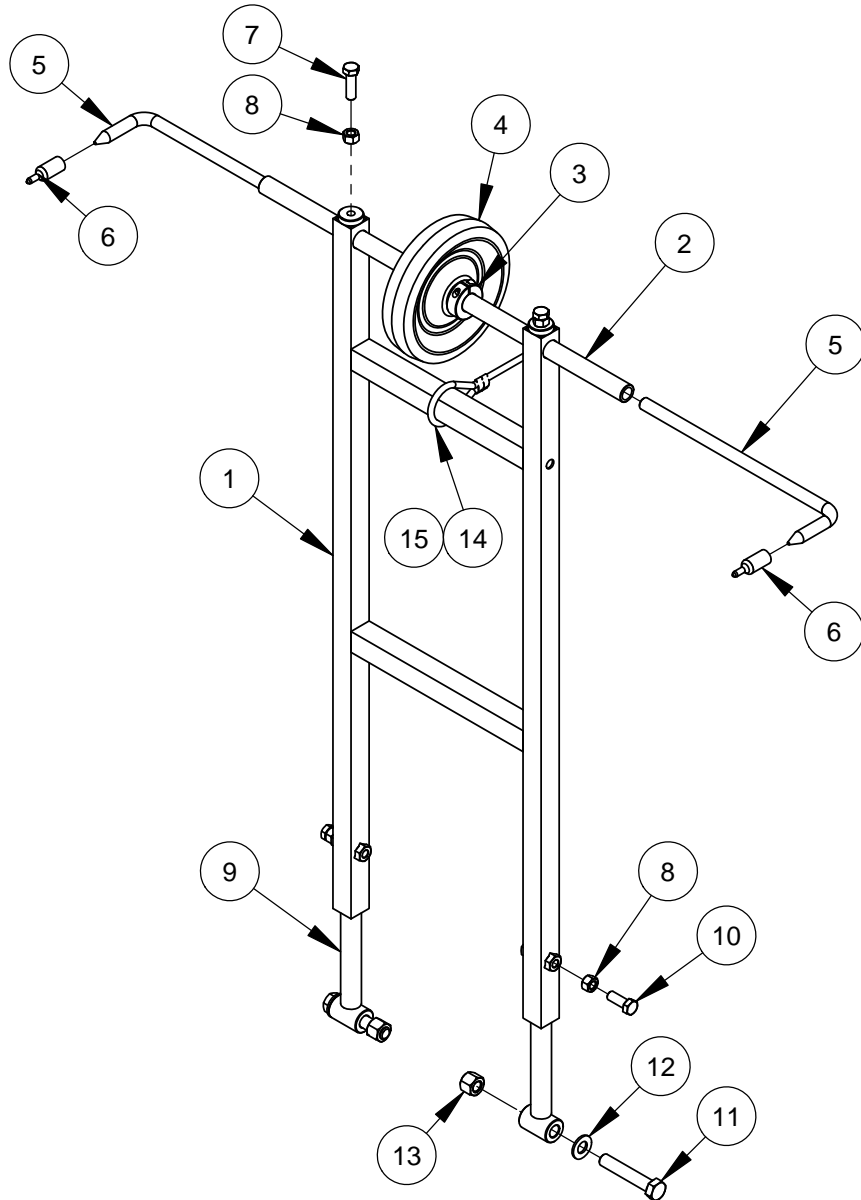
ITEM	PART NO.	QTY.	DESCRIPTION
1	6010092	1	Depth Indicator Mount Bracket
2	2900310	2	Cap Screw, Hex Hd., M6-1.0 x 20mm
3	2900302	2	Lock Nut, M6-1.0 Nylon Insert
4	2500155	2	Cable Pulley, 1-1/4"
5	2900008	2	Cap Screw, Hex Hd., 1/4-20 x 1"
6	2900010	2	Lock Nut, 1/4-20 Nylon
7	6010091	1	Depth Indicator Pointer
8	2900079	1	Cap Screw, Hex Hd., 3/8-16 x 2-1/4"
9	2500145	1	Flange Bearing, 3/8"
10	2900014	3	Flat Washer, 3/8" SAE
11	6010093	1	Cable Pulley, 2"
12	2900018	2	Locknut, 3/8-16, Nylon
13	6047989	1	Depth Indicator Cable
14	2500214	1	Cable Clamp
15	2500799	1	Depth Indicator Spring 11"
16	2900055	1	Cotter Pin, 3/16" x 1"
17	2900964	1	Eyebolt, 3/8-16 x 6"

Water Supply Assembly #6047703



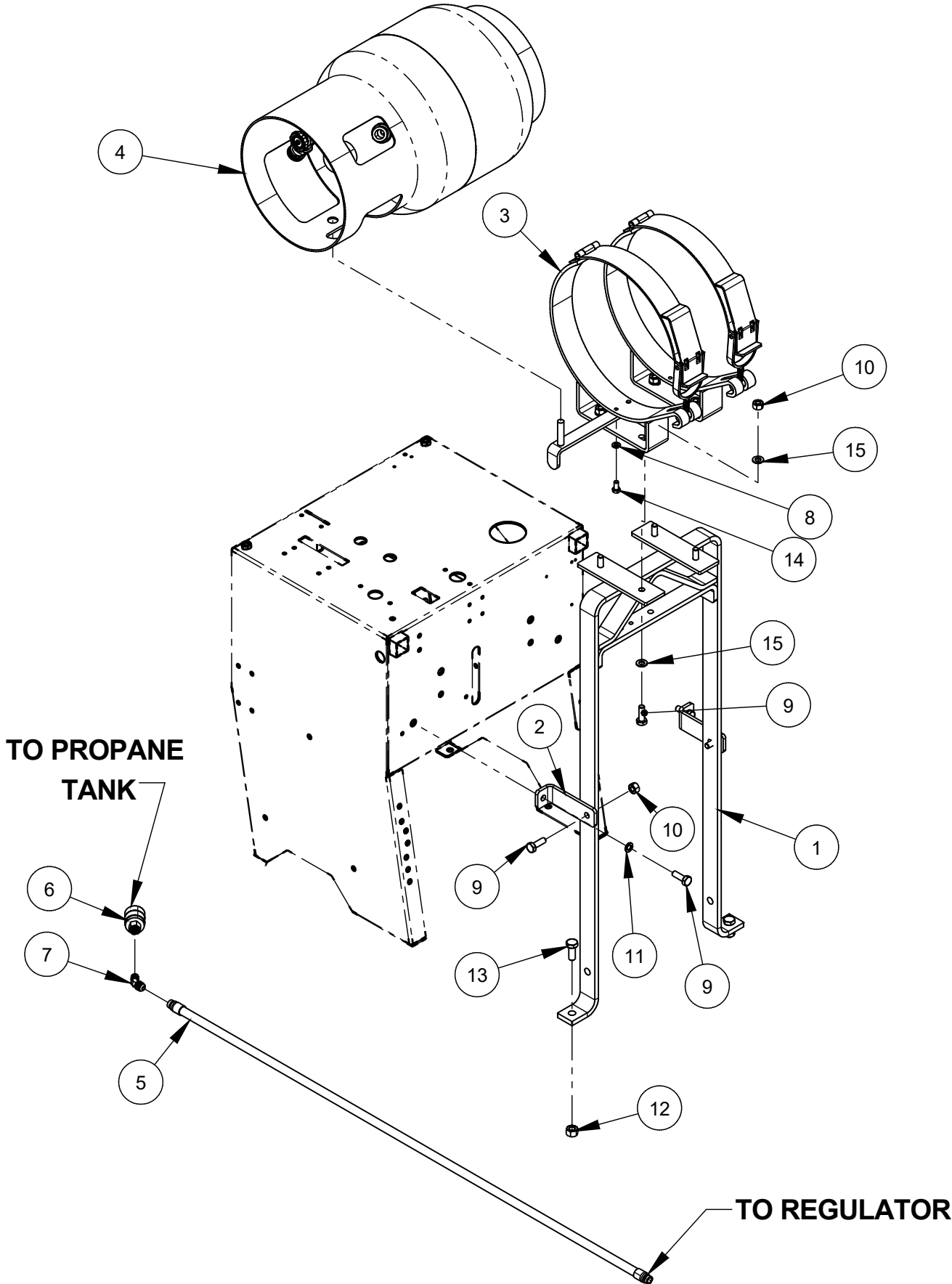
ITEM PART	NO.	QTY.	DESCRIPTION
1	6047938	1	Water Supply Tube
2	2900241	1	U-Bolt, 1/2" Pipe
3	2900009	2	Flat Washer, 1/4" SAE
4	2900010	2	Lock Nut, 1/4-20 Nylon
5	3200001	1	Plug, 1/8" NPT
6	3200013	2	Street Elbow, 1/2" NPT
7	3200022	1	Fitting, 1/2" F. Pipe to 3/4" F. Garden
8	3200025	1	Hose Filter Washer
9	3200027	1	Water Valve
10	3200155	1	Fitting, 1/2" M. Pipe to 3/4" M. Garden
11	6010021	1	Water Hose Assembly, 42" Long

Dual Front Pointer Assembly #6011540



ITEM	PART NO.	QTY.	DESCRIPTION
1	6011537	1	Front Pointer Frame
2	6011539	1	Pointer Tube, 20"
3	2504577	2	Shaft Collar, 3/4" Split
4	2504581	1	Wheel, 6"
5	6011535	2	Front Pointer Rod, 11"
6	2500740	2	Pointer Cap
7	2900013	2	Cap Screw, Hex Hd., 3/8-16 x 1-1/4"
8	2900033	4	Hex Nut, 3/8-16
9	6011152	2	Front Pointer Arm
10	2900005	2	Cap Screw, Hex Hd., 3/8-16 x 1"
11	2900105	2	Cap Screw, Hex Hd., 1/2-13 x 2-3/4"
12	2900239	2	Friction Washer, 1/2"
13	2900026	2	Lock Nut, 1/2-13 Nylon
14	6017241	1	Pointer Rope 11 Foot
15	3200221	2	Pinch Clamp, Two Ear

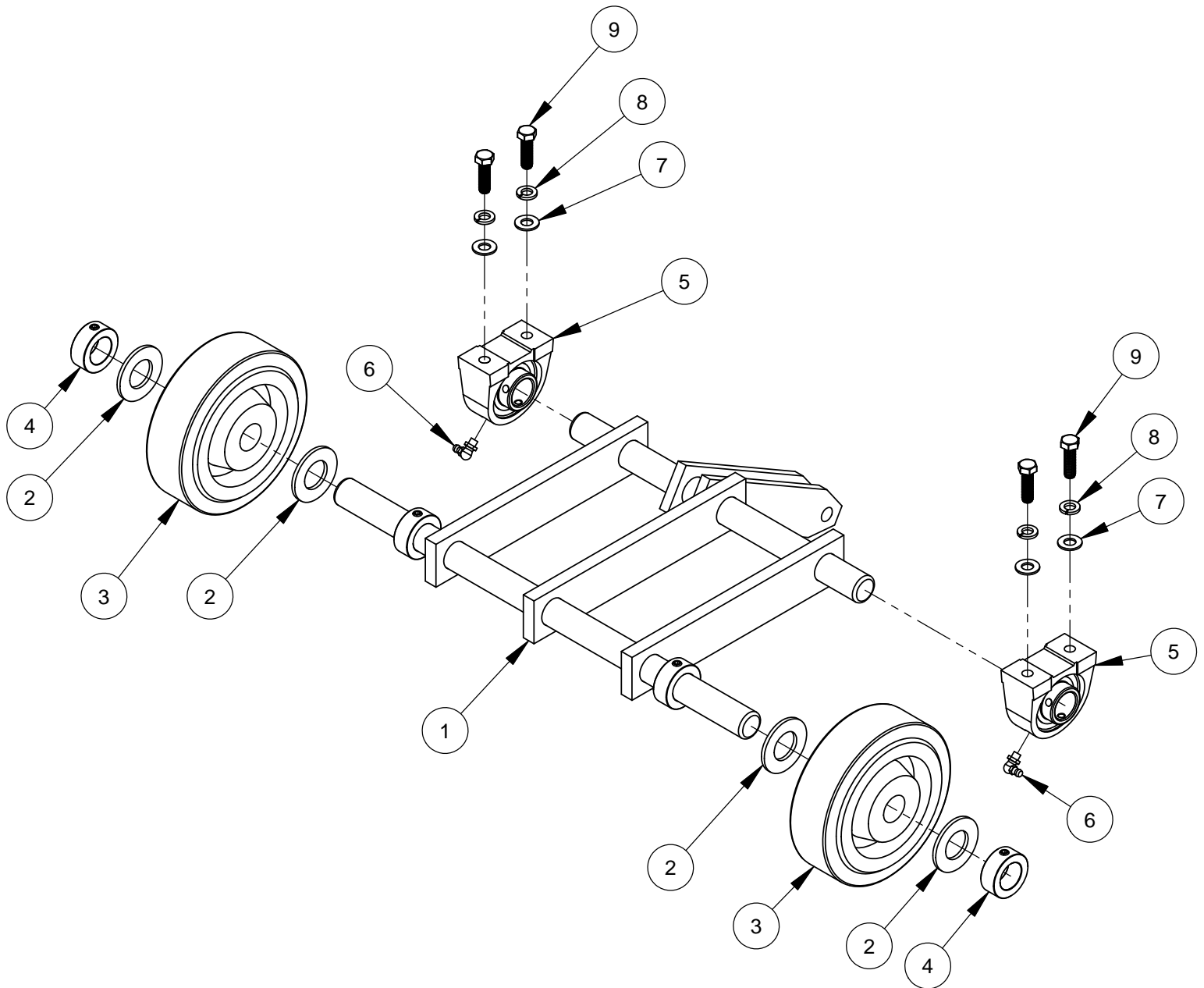
Frame Lift Assembly (Propane)
#6047222



Frame Lift Assembly (Propane)
#6047222

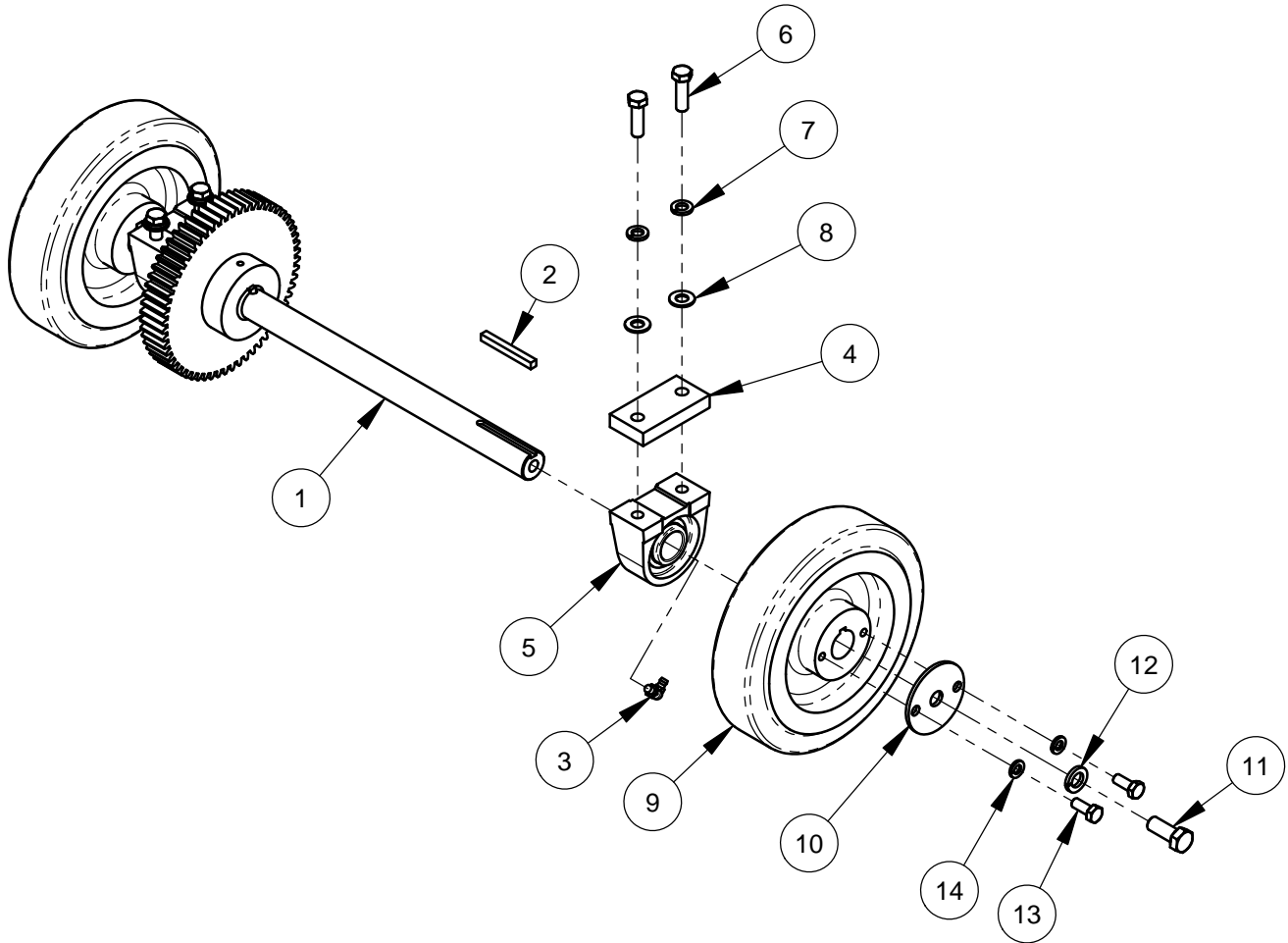
ITEM	PART NO.	QTY.	DESCRIPTION
1	6040914	1	Frame Lift, CC2500 Propane
2	6047953	2	Frame Lift Brace
3	2505191	1	Propane Tanks Straps w/Pin
4	2505289	1	20# Propane Tank
5	2505293	1	High Pressure Hose, 48" Long
6	2505298	1	1-1/4 ACME LH X 1/4 NNPT FM Propane
7	3202981	1	Elbow 45°, 1/4" MPT x 3/8" Flared Tube
8	2900031	2	Lock Washer, 5/16" Split
9	2900223	8	Cap Screw, Hex Hd., M10-1.5 x 30mm
10	2900304	5	Lock Nut, M10-1.5 Nylon Insert
11	2900321	2	Lock Washer, M10 Split
12	2900327	2	Lock Nut, M12-1.75 Nylon Insert
13	2900330	2	Cap Screw, Hex Hd., M12-1.75 x 30mm
14	2900883	2	Cap Screw, Hex Hd., 5/16-18 x 5/8"
15	2901356	8	Flat Washer, M10

Front Axle Assembly #6047936



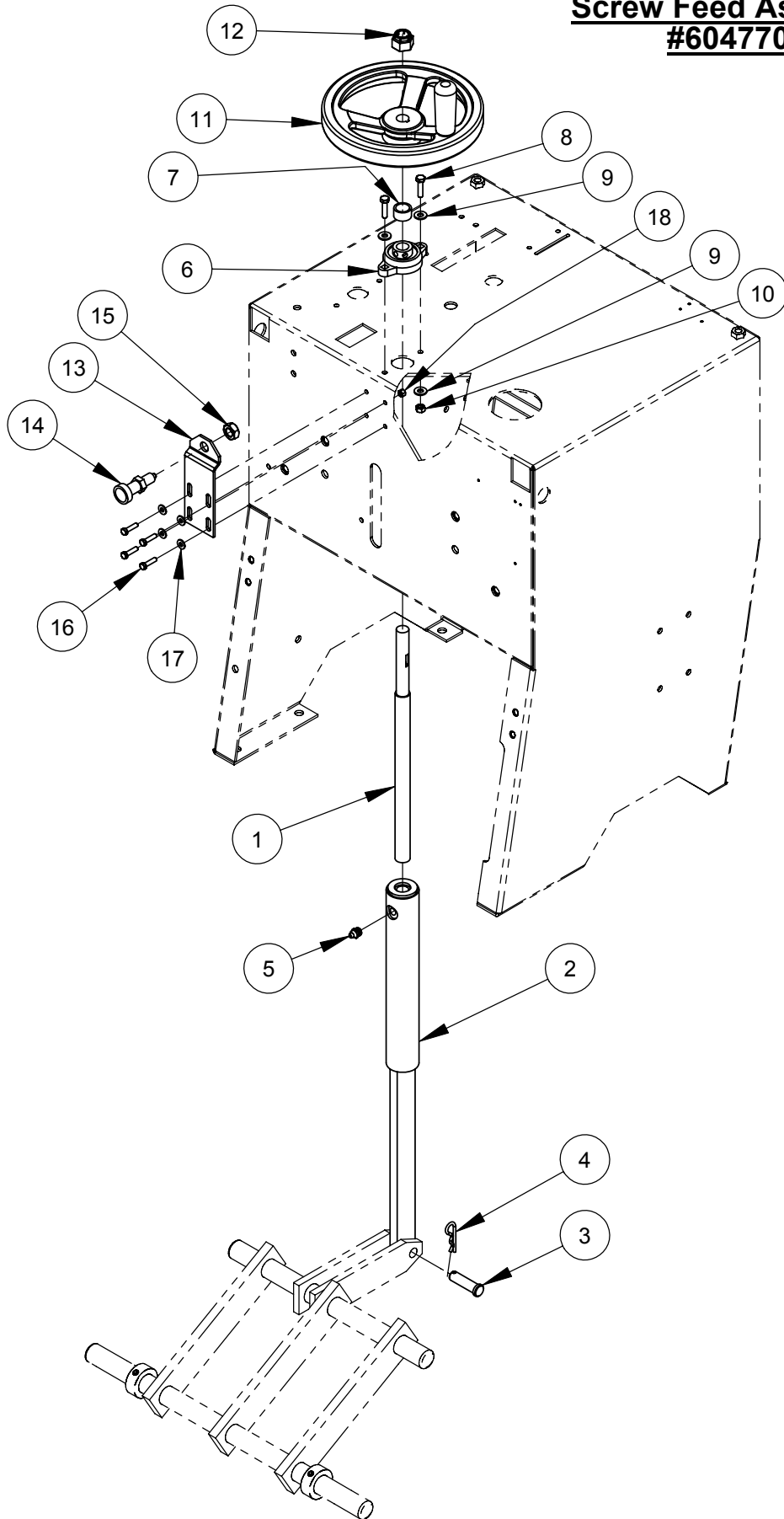
ITEM	PART NO.	QTY.	DESCRIPTION
1	6047902	1	Front Axle Weldment
2	2900295	4	Flat Washer, 1" SAE
3	2500299	2	Wheel, 6" X 2" X 1"
4	2500009	2	Set Collar, 1" ID
5	2500732	2	Pillow Block Bearing 1"
6	2900061	2	Grease Fitting, 1/4-28 x 90 Degree
7	2900014	4	Flat Washer, 3/8" SAE
8	2900006	4	Lock Washer, 3/8" Split
9	2900013	4	3/8-16 X 1.25" Hex Cap Screw

Rear Axle Assembly #6047993



ITEM	PART NO.	QTY.	DESCRIPTION
1	6047982	1	Rear Axle Weldment w/ 60 Tooth Spur Gear
2	6048134	2	Key, 1/4" Sq. x 2-1/4"
3	2900061	2	Grease Fitting, 1/4-28 x 90 Degree
4	6047904	1	Axle Bearing Spacer 1/2"
5	2500732	2	Pillow Block Bearing 1"
6	2900013	4	Cap Screw, Hex Hd., 3/8-16 x 1-1/4"
7	2900006	4	Lock Washer, 3/8" Split
8	2900014	4	Flat Washer, 3/8" SAE
9	2500724	2	Wheel, 8" Rear
10	6010026	2	Wheel Mount Washer
11	2900330	2	Cap Screw, Hex Hd., M12-1.75 x 30mm
12	2900084	2	Lock Washer, 1/2" Split
13	2900329	4	Cap Screw, Hex Hd., M8-1.25 x 20mm
14	2900031	4	Lock Washer, 5/16" Split

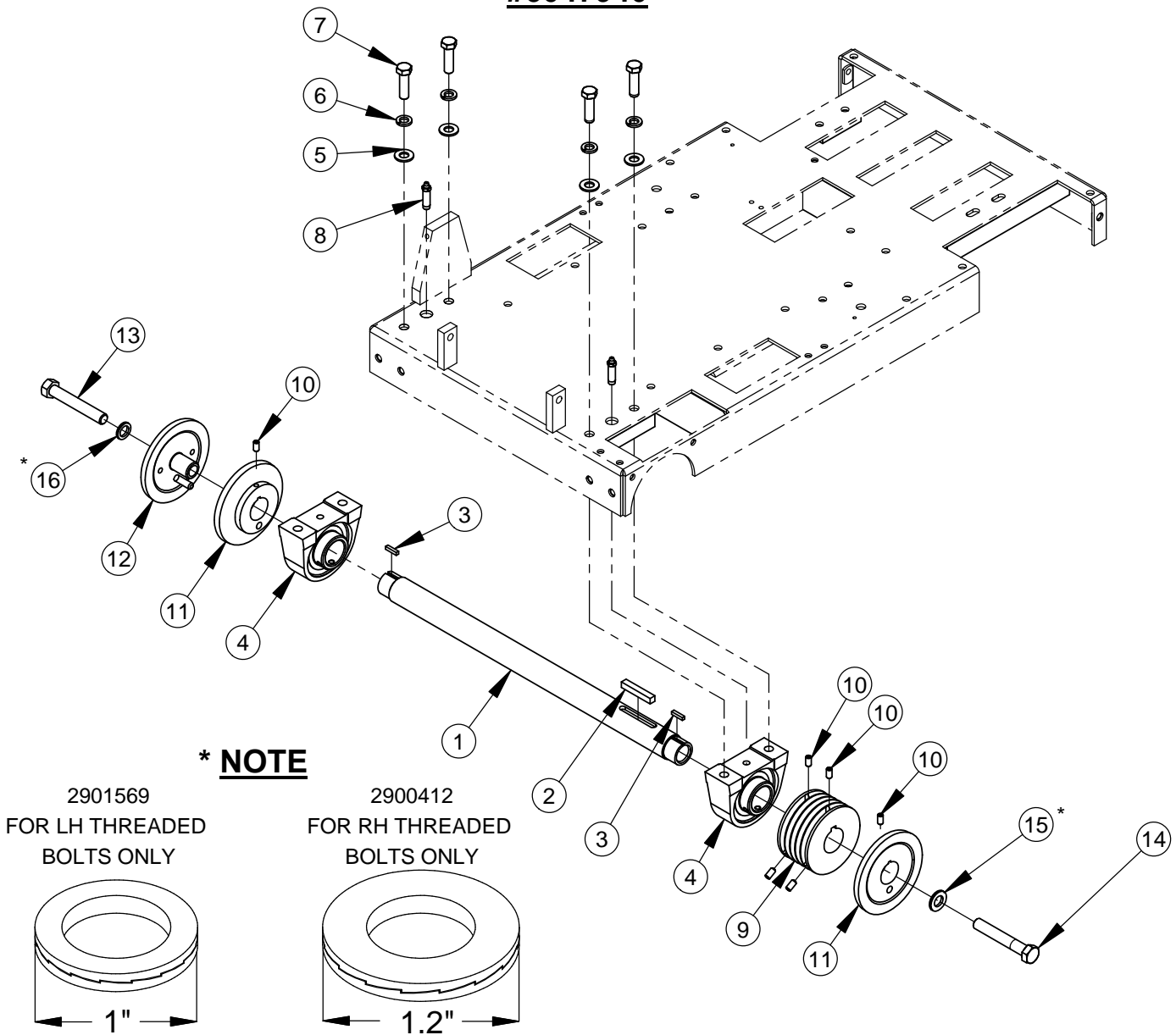
Screw Feed Assembly
#6047702



Screw Feed Assembly
#6047702

ITEM PART	NO.	QTY.	DESCRIPTION
1	6047929	1	Adjustment Screw
2	6047927	1	Adjustment Shaft
3	2900354	1	Clevis Pin, 1/2" x 1-3/4"
4	2900276	1	Hairpin Cotter, 1/8" x 1/2" to 3/4"
5	2900062	1	Grease Fitting, 1/8" NPT
6	2500807	1	Bearing, 5/8", Two Bolt Flange
7	6047931	1	Spacer Tube 7/8 x 1/2
8	2900311	2	Cap Screw, Hex Hd., M6 x 25mm
9	2900009	4	Flat Washer, 1/4" SAE
10	2900302	2	Lock Nut, M6 Nylon
11	2500800	1	Handwheel, 8" x 5/8"
12	2900355	1	Lock Nut, 5/8-18, Flex Top
13	6047216	1	Bracket, Handwheel Lock
14	2400138	1	Indexing Plunger, 1/2-13 UNC
15	2900129	1	Jam Nut, 1/2-13
16	2900309	4	Cap Screw, Hex Hd., M5 x 20mm
17	2900016	4	Flat Washer, #10 USS
18	2900301	4	Lock Nut, M5 Nylon

**Blade Shaft Assembly (14, 20" Gas/Electric, 26" Hydraulic)
#6047940**

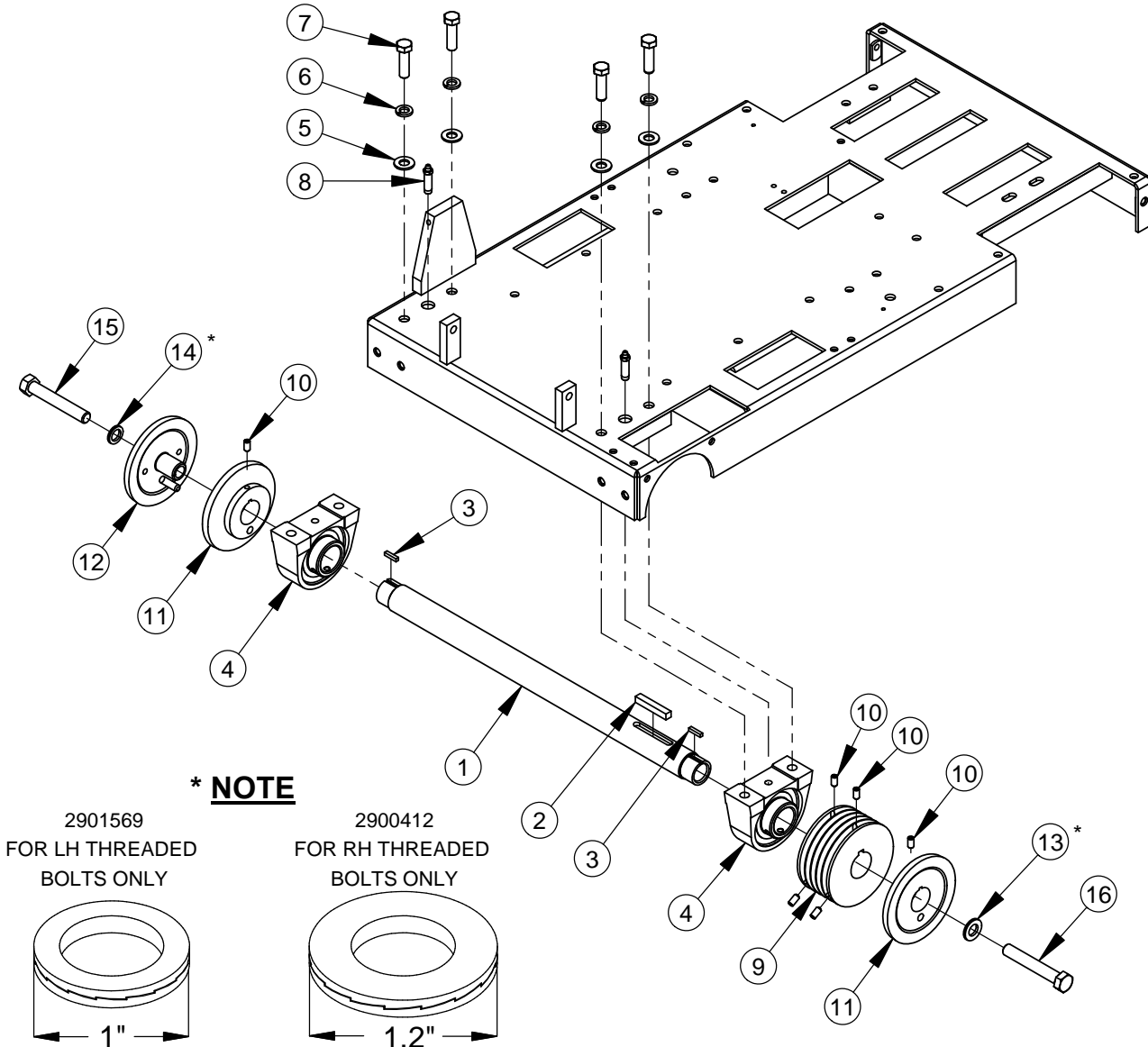


ITEM	PART NO.	QTY.	DESCRIPTION
1	6047905	1	Blade Shaft
2	6047959	1	Key, 3/8" Sq. x 2-1/4"
3	6047978	2	Key, 3/16" Sq. x 27/32"
4	2500731	2	Pillow Block Bearing 1-1/2"
5	2900058	4	Flat Washer, 1/2" SAE
6	2900084	4	Lock Washer, 1/2" Split
7	2900139	4	Cap Screw, Hex Hd., 1/2-13 x 1-3/4"
8	2900264	2	Grease Fitting, 1/8" NPT x 1-3/4"
9	6047947	1	Sheave, 4.12" x 1-1/2" Bore
10	2900418	6	Set Screw, Soc. Hd., 5/16-18 x 5/8"
11	6047906	2	Inner Flange 5"
12	6047907	1	Outer Flange 5" with Pin
13	2900130	1	Cap Screw, Hex Hd., 5/8-11 x 4" LH
14	2900146	1	Cap Screw, Hex Hd., 5/8-11 x 4"
15	2900412	1	Lock Washer, Wedge 5/8"
16	2901569	1	Lock Washer, Wedge 5/8" LH

* See Note

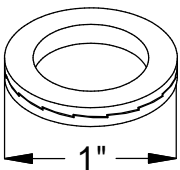
* See Note

Blade Shaft Assembly (26" Gas/Electric)
#6047941

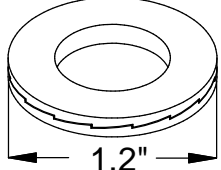


*** NOTE**

2901569
FOR LH THREADED
BOLTS ONLY



2900412
FOR RH THREADED
BOLTS ONLY

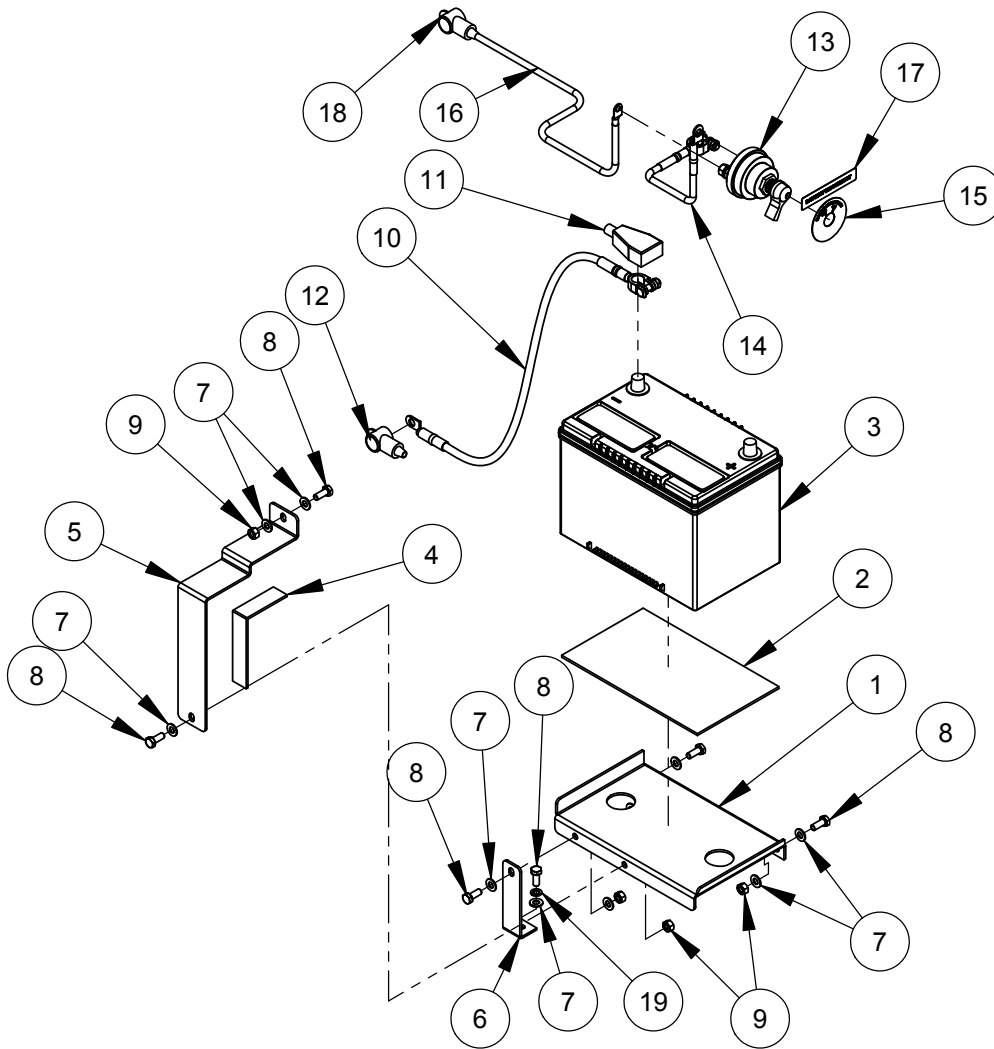


ITEM	PART NO.	QTY.	DESCRIPTION
1	6047905	1	Blade Shaft
2	6047959	1	Key, 3/8" Sq. x 2-1/4"
3	6047978	2	Key, 3/16" Sq. x 27/32"
4	2500731	2	Pillow Block Bearing 1-1/2"
5	2900058	4	Flat Washer, 1/2" SAE
6	2900084	4	Lock Washer, 1/2" Split
7	2900139	4	Cap Screw, Hex Hd., 1/2-13 x 1-3/4"
8	2900264	2	Grease Fitting, 1/8" NPT x 1-3/4"
9	6047948	1	Sheave, 4.75" x 1-1/2" Bore
10	2900418	6	Set Screw, Soc. Hd., 5/16-18 x 5/8"
11	6047906	2	Inner Flange 5"
12	6047907	1	Outer Flange 5" with Pin
13	2900412	1	Lock Washer, Wedge 5/8"
14	2901569	1	Lock Washer, Wedge 5/8" LH
15	2900130	1	Cap Screw, Hex Hd., 5/8-11 x 4" LH
16	2900146	1	Cap Screw, Hex Hd., 5/8-11 x 4"

* See Note

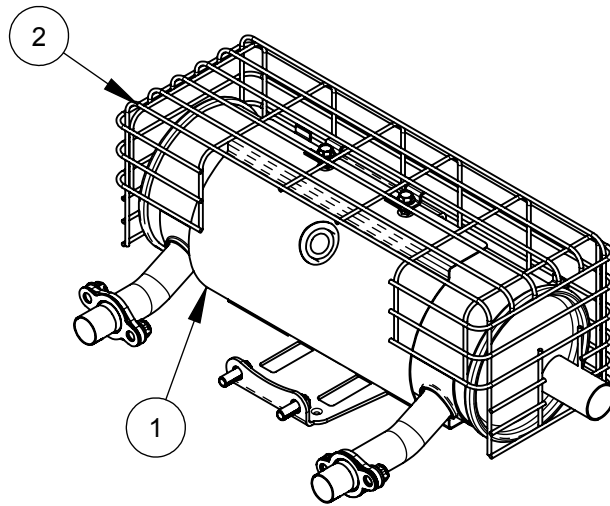
* See Note

Battery Assembly #6047958



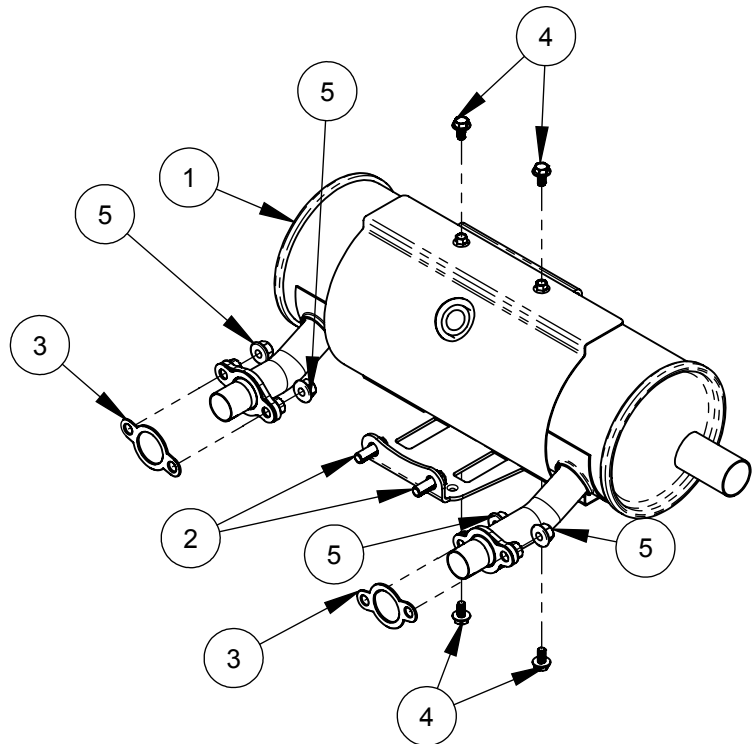
ITEM	PART NO.	QTY.	DESCRIPTION
1	6047920	1	Battery Holder
2	6010016	1	Battery Pad
3	2700208	1	Battery, 12 Volt Group Size 34
4	6048077	1	Rubber Strip
5	6047922	1	Battery Strap
6	6047921	1	Battery Support Brace
7	2900022	10	Flat Washer, 5/16" SAE
8	2900329	6	Cap Screw, Hex Hd., M8-1.25 x 20mm
9	2900303	5	Lock Nut, M8-1.25 Nylon Insert
10	2800072	1	Battery Cable, 30" Negative (Black)
11	2800257	1	Battery Boot, Large (Black)
12	2800198	1	Battery Boot, Small (Black)
13	2800565	1	Battery Disconnect Switch
14	2800572	1	Battery Cable, 9" Positive (Red)
15	2800566	1	Face Plate, Battery Disconnect
16	6048091	1	Battery Cable Assy., Red
17	1800846	1	Label, Battery Disconnect
18	2800197	1	Battery Boot, Small (Red)
19	2900763	1	Lock Washer, M8 Split

25HP Kohler Muffler Assembly #6047893



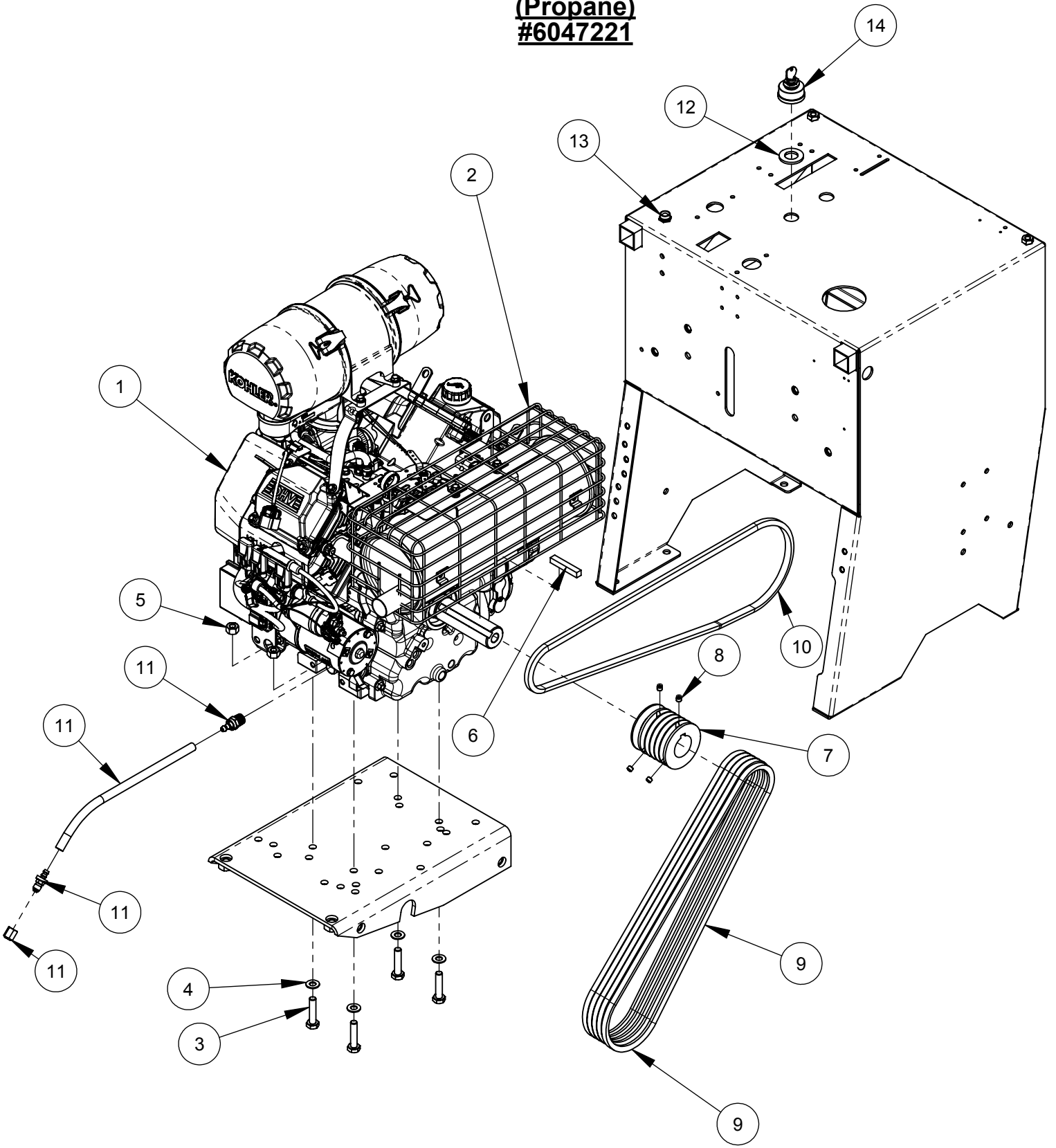
ITEM	PART NO.	QTY.	DESCRIPTION
1	2703674	1	Muffler Assembly, 25HP Kohler EFI
2	2701253	1	Muffler Guard

25HP Kohler Muffler #2703674



ITEM	QTY.	DESCRIPTION
1	1	PTO Muffler Kohler W/O2 Sensor
2	2	Cap Screw, Hex Flange Hd., M8 x 20mm
3	2	Exhaust Gasket
4	4	Cap Screw, Hex Flange Hd., M6 x 12mm
5	4	Hex Nut Flanged, M8

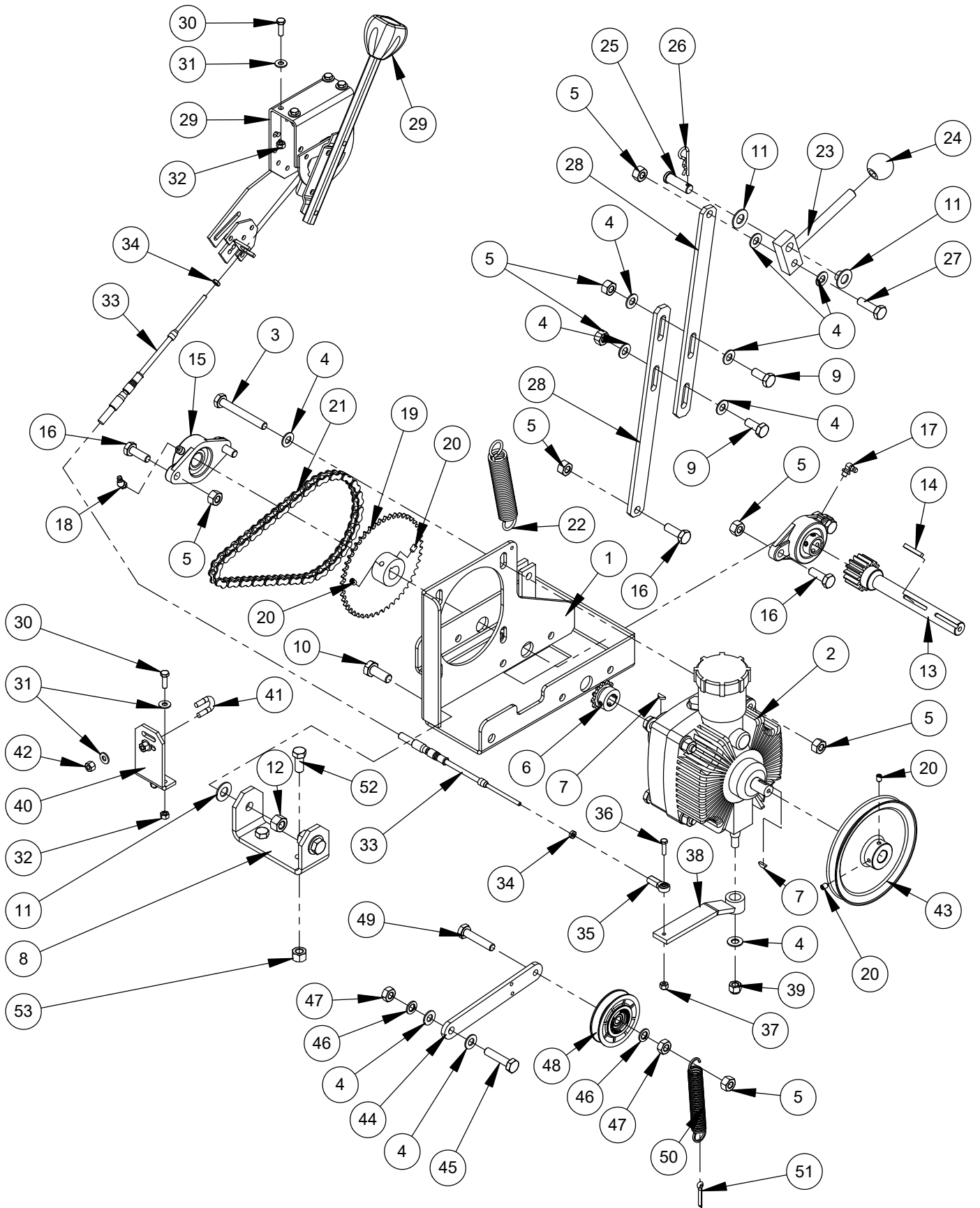
25 HP Kohler Engine Assembly
(Propane)
#6047221



25 HP Kohler Engine Assembly
(Propane)
#6047221

ITEM	PART NO.	QTY.	DESCRIPTION
1	2601754	1	25 HP Kohler EFI Propane
2	6047893	1	Muffler Assembly, 25HP Kohler EFI
3	2900317	4	Cap Screw, Hex Hd., M10-1.5 x 45mm
4	2900014	4	Flat Washer, 3/8" SAE
5	2900304	4	Lock Nut, M10-1.5 Nylon Insert
6	6047959	1	Key, 3/8" Sq. x 2-1/4"
7	6047914	1	Sheave, 3" x 1-7/16" Bore
8	2900036	4	Set Screw, Soc. Hd., 5/16-18 x 1/4"
9	2500793	5	V-Belt, 3VX425
10	2500849	1	V-Belt, 4L-500
11	6047974	1	Oil Drain Hose Assembly, 8-1/4"
12	2900003	1	Flat Washer, 3/4" SAE
13	2801047	1	Indicator Light (Amber)
14	2700892	1	Ignition Switch w/ Key (27KC)
15	2703784	1	Wire Harness Kohler EFI Propane
16	2700885	1	Wire Harness

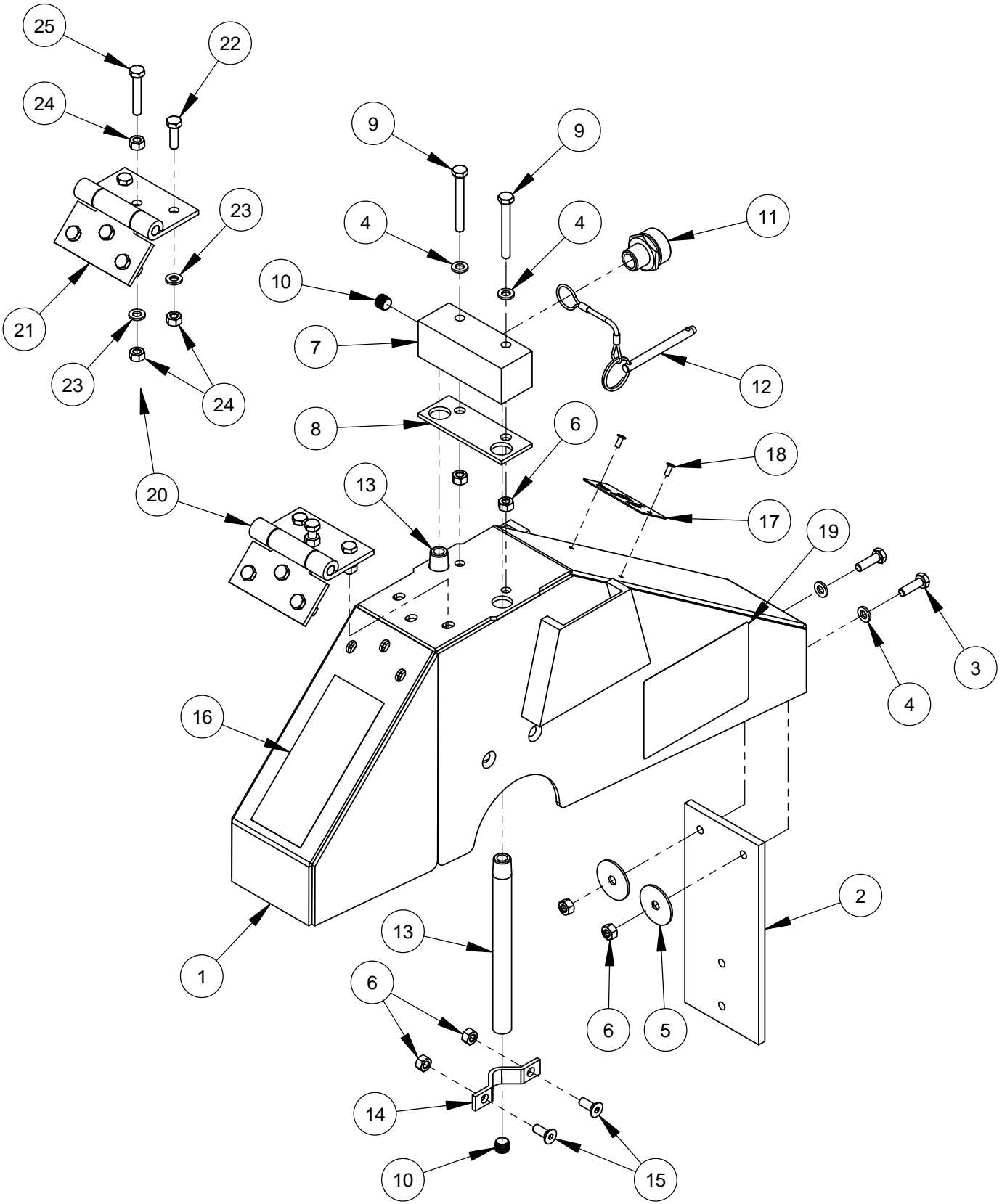
Transmission Assembly #6047962



Transmission Assembly #6047962

ITEM	PART NO.	QTY.	DESCRIPTION
1	6047923	1	Transmission Platform Weldment
2	2600015	1	Eaton 6 Transmission
3	2900319	4	Cap Screw, Hex Hd., M10-1.5 x 80mm
4	2900014	13	Flat Washer, 3/8" SAE
5	2900304	13	Lock Nut, M10-1.5 Nylon Insert
6	2500017	1	Sprocket, 12 Teeth W/ 1/4 Setscrew
7	2900068	2	Woodruff Key #404, 1/8" W x 1/2" Dia.
8	6047924	1	Transmission Pivot Support
9	2900333	2	Cap Screw, Hex Hd., M10-1.5 x 25mm
10	2900330	2	Cap Screw, Hex Hd., M12-1.75 x 30mm
11	2900058	4	Flat Washer, 1/2" SAE
12	2900327	2	Lock Nut, M12-1.75 Nylon Insert
13	6010080	1	Transmission Jackshaft 15T
14	6048229	1	Key, 3/16" Sq. x 1-1/4"
15	2500011	2	Bearing, 3/4" Flange Block
16	2900223	5	Cap Screw, Hex Hd., M10-1.5 x 30mm
17	2900061	1	Grease Fitting, 1/4-28 x 90 Degree
18	2900184	1	Grease Fitting, 1/4-28 x 45 degree
19	2500018	1	Sprocket, 48 Teeth w/ Setscrews
20	2900101	4	Set Screw, Soc. Hd., 1/4-20 x 3/8"
21	6048232	1	Chain, #35 x 63 Pitch
22	2500780	1	Spring, 1" Dia. x 6"
23	6048057	1	Engagement Lever
24	2400007	1	Knob, 1/2-20 x 1-3/8" Dia.
25	2900277	1	Clevis Pin, 1/2" x 1-1/2"
26	2900276	1	Hairpin Cotter
27	2900315	1	Cap Screw, Hex Hd., M10-1.5 x 35mm
28	6047925	2	Linkage
29	2500805	1	Quadco Speed Control
	2500876	1	Knob
30	2900310	6	Cap Screw, Hex Hd., M6-1.0 x 20mm
31	2900009	8	Flat Washer, 1/4" SAE
32	2900302	6	Lock Nut, M6-1.0 Nylon Insert
33	2500806	1	Speed Control Cable
34	2900188	2	Hex Nut, #10-32
35	2500791	1	Rod End, #10-32 Female
36	2900015	1	Machine Screw, Hex Hd., #10-24 x 3/4"
37	2900017	1	Lock Nut, #10-24 Nylon
38	6047926	1	Shift Lever
39	2900018	1	Lock Nut, 3/8-16 Nylon
40	6047943	1	Cable Control Bracket
41	2500818	1	Clamp, 3/16" Cable
42	2900010	2	Lock Nut, 1/4-20 Nylon
43	2500016	1	Pulley, 6"
44	6048085	1	Idler Arm
45	2900317	1	Cap Screw, Hex Hd., M10 x 45mm
46	2900321	2	Lock Washer, M10 Split
47	2900325	2	Hex Nut, M10-1.5
48	2500074	1	Idler Pulley 3"
49	2900337	1	Cap Screw, Hex Hd., M10-1.5 x 50mm, Full Thd.
50	2500070	1	Spring, Extension, 3/4 Dia x 4
51	2900055	1	Cotter Pin, 3/16" x 1"
52	2900407	2	Cap Screw, Hex Hd., 7/16-14 x 1"
53	2900045	2	Lock Nut, 7/16-14 Nylon

14" Blade Guard Assembly #6010950

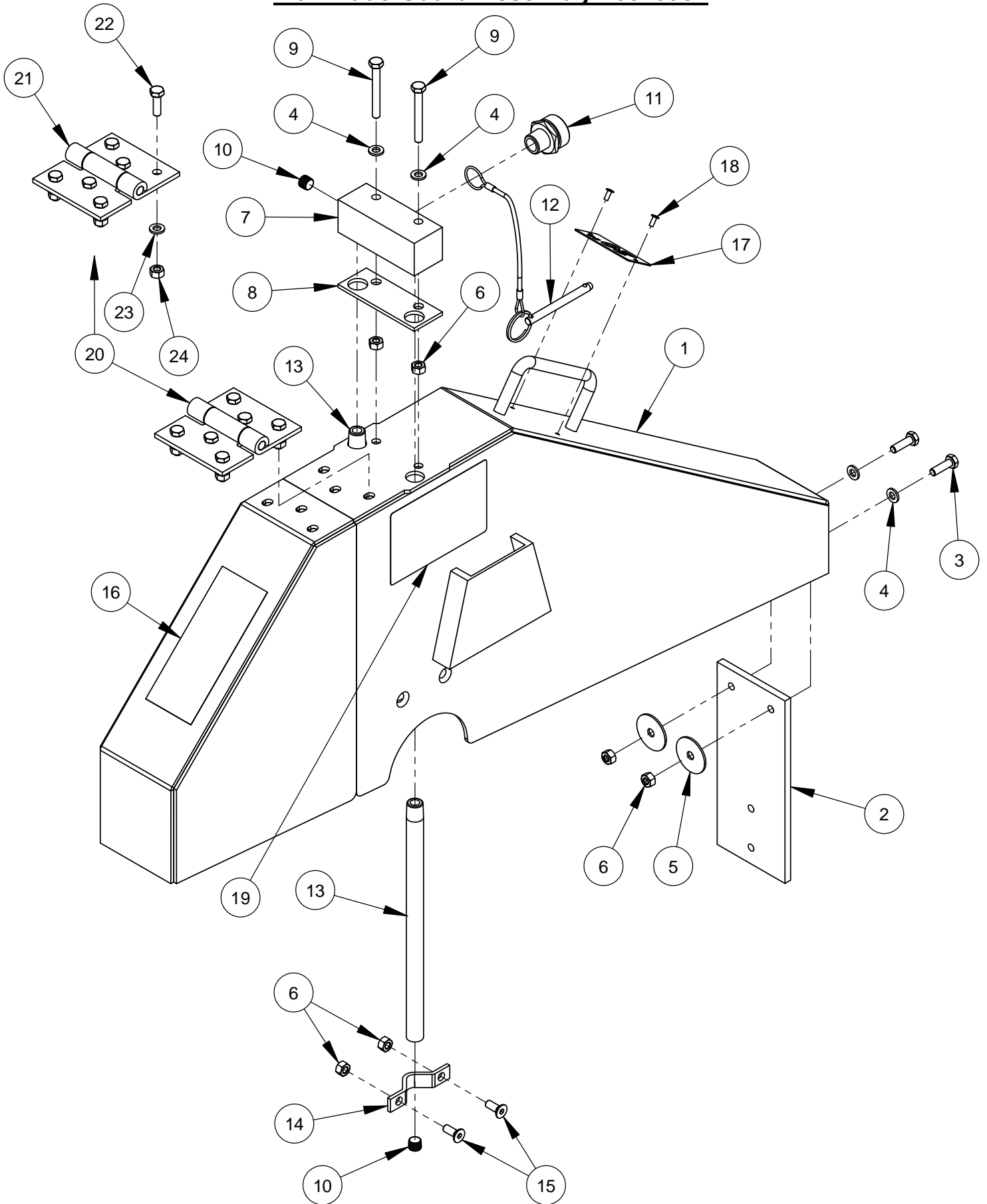


14" Blade Guard Assembly #6010950

ITEM	PART NO.	QTY.	DESCRIPTION
1	6010601	1	14" Blade Guard Front & Rear Only
2	6010081	1	Splash Flap
3	2900310	2	Cap Screw, Hex Hd., M6-1.0 x 20mm
4	2901494	4	Flat Washer, M6
5	2900083	2	Fender Washer, 1/4" x 1-1/4"
6	2900302	8	Lock Nut, M6-1.0 Nylon Insert
7	6010261	1	Water Manifold
8	2500830	1	Water Manifold Gasket
9	2901355	2	Cap Screw, Hex Hd., M6-1.0 x 50mm
10	3200001	3	Plug, 1/8" NPT
11	3200002	1	Fitting, 3/8" M. Pipe to 3/4" M. Garden
12	2900278	1	Lanyard with Lock Pin
13	6048283	2	Water Tube for 14" Guard
14	6048155	2	Water Tube Clamp
15	2900308	4	Cap Screw, Flat Hd., M6-1.0 x 16mm
16	1800001	1	Warning Label
17	1801369A	1	Blade Guard Size Tag
18	2900287	2	Rivet, 1/8" Dia.
19	1802090	2	Label, Wedge Locking Washer
20	6048026	1	Hinge Assembly

ITEM	PART NO.	QTY.	DESCRIPTION
21	2500270	1	Blade Guard Hinge
22	2900310	5	Cap Screw, Hex Hd., M6-1.0 x 20mm
23	2901494	6	Flat Washer, M6
24	2900302	7	Lock Nut, M6-1.0 Nylon Insert
25	2900312	1	Cap Screw, Hex Hd., M6-1.0 x 35mm

20" Blade Guard Assembly #6010952

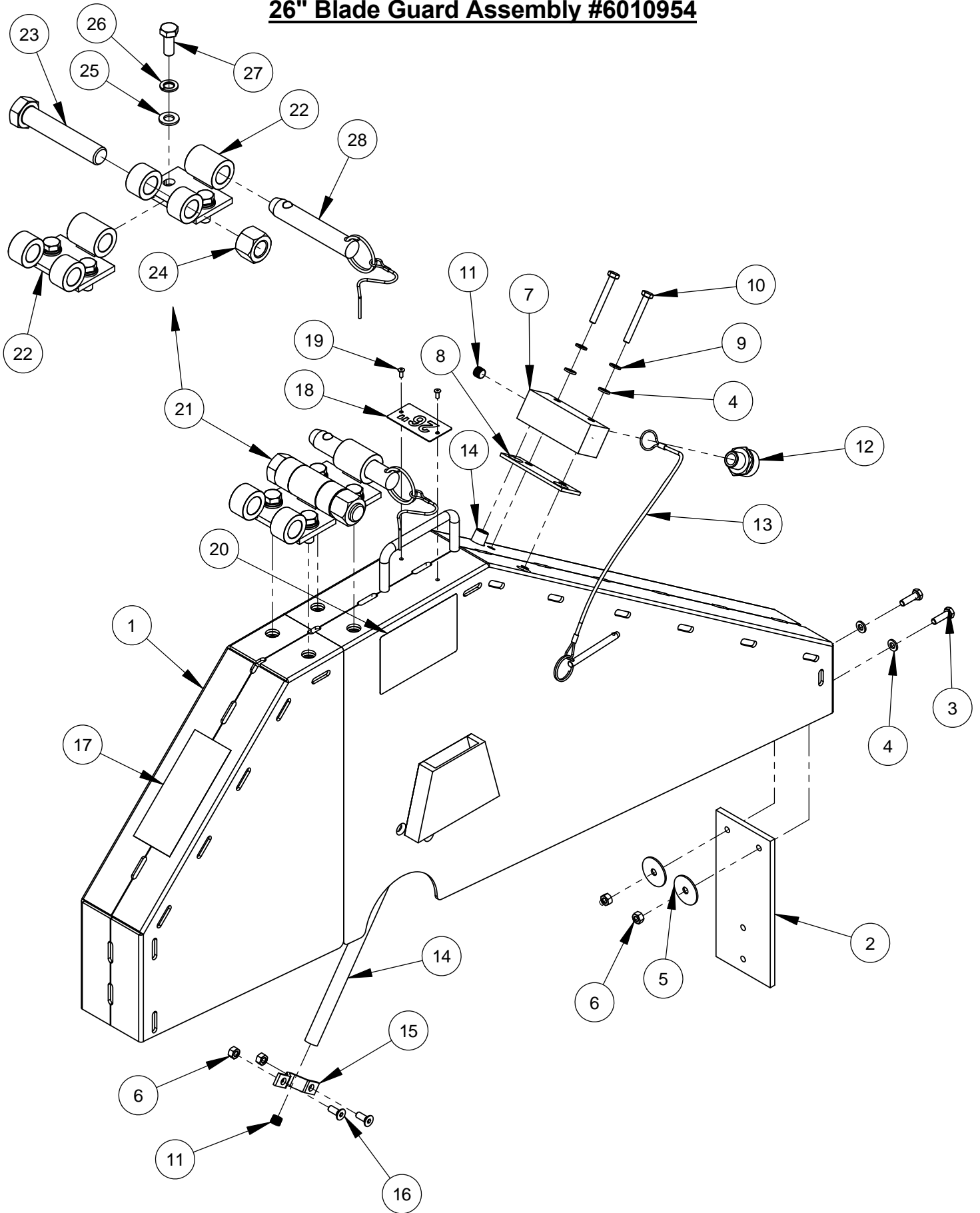


20" Blade Guard Assembly #6010952

ITEM	PART NO.	QTY.	DESCRIPTION
1	6010603	1	20" Blade Guard Front & Rear Only
2	6010081	1	Splash Flap
3	2900310	2	Cap Screw, Hex Hd., M6-1.0 x 20mm
4	2901494	4	Flat Washer, M6
5	2900083	2	Fender Washer, 1/4" x 1-1/4"
6	2900302	8	Lock Nut, M6-1.0 Nylon Insert
7	6010261	1	Water Manifold
8	2500830	1	Water Manifold Gasket
9	2901355	2	Cap Screw, Hex Hd., M6-1.0 x 50mm
10	3200001	3	Plug, 1/8" NPT
11	3200002	1	Fitting, 3/8" M. Pipe to 3/4" M. Garden
12	2900278	1	Lanyard with Lock Pin
13	6010085	2	Water Tube for 20" Guard
14	6048155	2	Water Tube Clamp
15	2900308	4	Cap Screw, Flat Hd., M6-1.0 x 16mm
16	1800001	1	Warning Label
17	1801369D	1	Blade Guard Size Tag
18	2900287	2	Rivet, 1/8" Dia.
19	1802090	2	Label, Wedge Locking Washer
20	6048027	1	Hinge Assembly

ITEM	PART NO.	QTY.	DESCRIPTION
21	2500270	1	Blade Guard Hinge
22	2900310	6	Cap Screw, Hex Hd., M6-1.0 x 20mm
23	2901494	6	Flat Washer, M6
24	2900302	6	Lock Nut, M6-1.0 Nylon Insert

26" Blade Guard Assembly #6010954

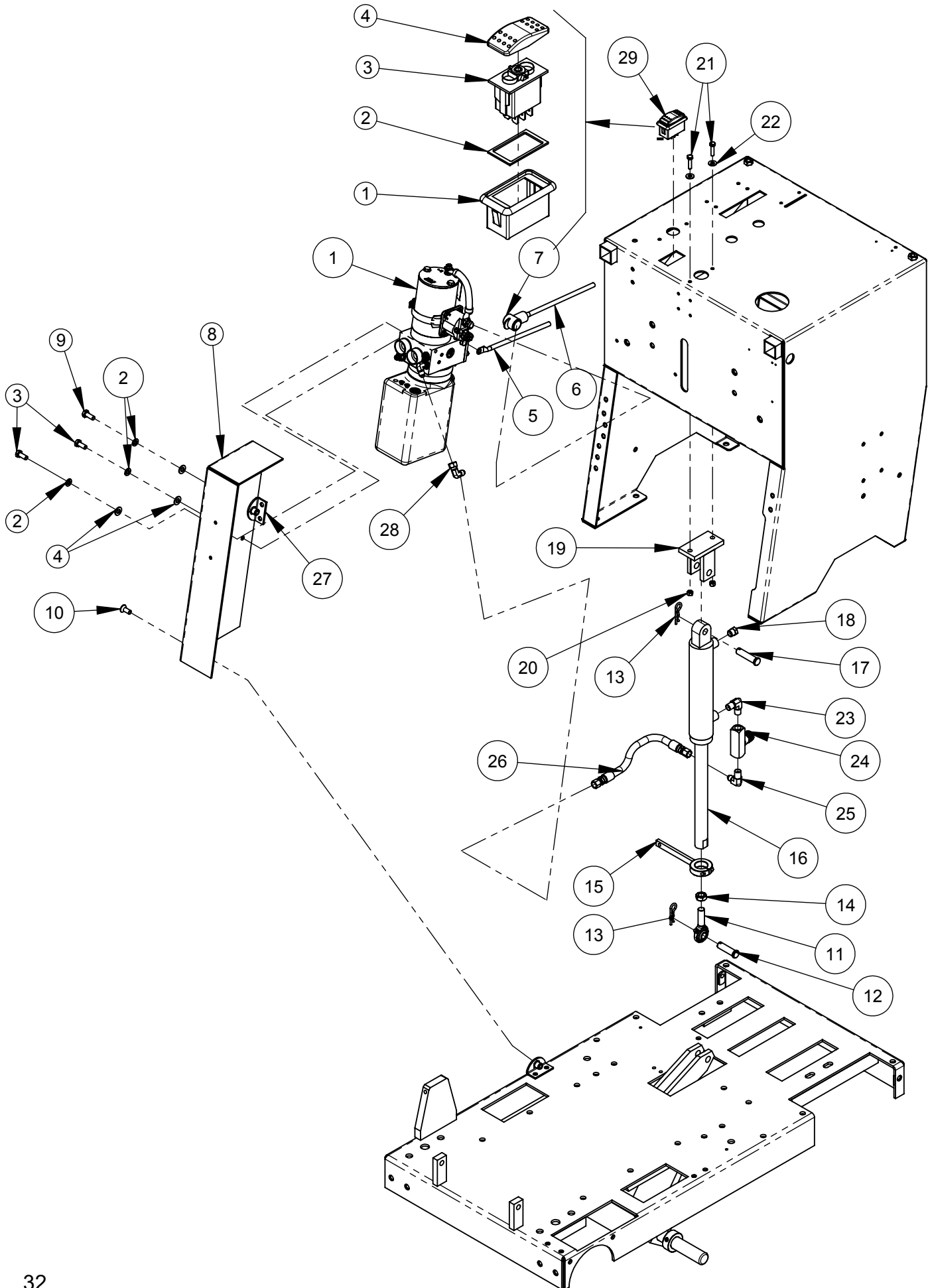


26" Blade Guard Assembly #6010954

ITEM	PART NO.	QTY.	DESCRIPTION
1	6010955	1	26" Blade Guard Front & Rear Only
2	6010081	1	Splash Flap
3	2900310	2	Cap Screw, Hex Hd., M6-1.0 x 20mm
4	2901494	4	Flat Washer, M6
5	2900083	2	Fender Washer, 1/4" x 1-1/4"
6	2900302	6	Lock Nut, M6-1.0 Nylon Insert
7	6010261	1	Water Manifold
8	2500830	1	Water Manifold Gasket
9	2900765	2	Lock Washer, M6 Split
10	2901355	2	Cap Screw, Hex Hd., M6-1.0 x 50mm
11	3200001	3	Plug, 1/8" NPT
12	3200002	1	Fitting, 3/8" M. Pipe to 3/4" M. Garden
13	2900279	1	Lanyard with Lock Pin
14	6010086	2	Water Tube for 26" Guard
15	6048155	2	Water Tube Clamp
16	2900308	4	Cap Screw, Flat Hd., M6-1.0 x 16mm
17	1800001	1	Warning Label
18	1801369F	1	Blade Guard Size Tag
19	2900287	2	Rivet, 1/8" Dia.
20	1802090	2	Label, Wedge Locking Washer
21	6010873	1	Universal Hinge Assembly

ITEM	PART NO.	QTY	DESCRIPTION
22	6010871	2	Hinge Weldment, Universal
23	2900479	1	Cap Screw, Hex Hd., 3/4-10 x 4"
24	2900467	1	Lock Nut, 3/4-10 Nylon
25	2901356	4	Flat Washer, M10
26	2900321	4	Lock Washer, M10 Split
27	2900333	4	Cap Screw, Hex Hd., M10-1.5 x 25mm
28	2503824	1	Detent Pin, 3/4" x 3" Grip

Hydraulic Power Raise/Lower Assembly (Propane)
#6047405



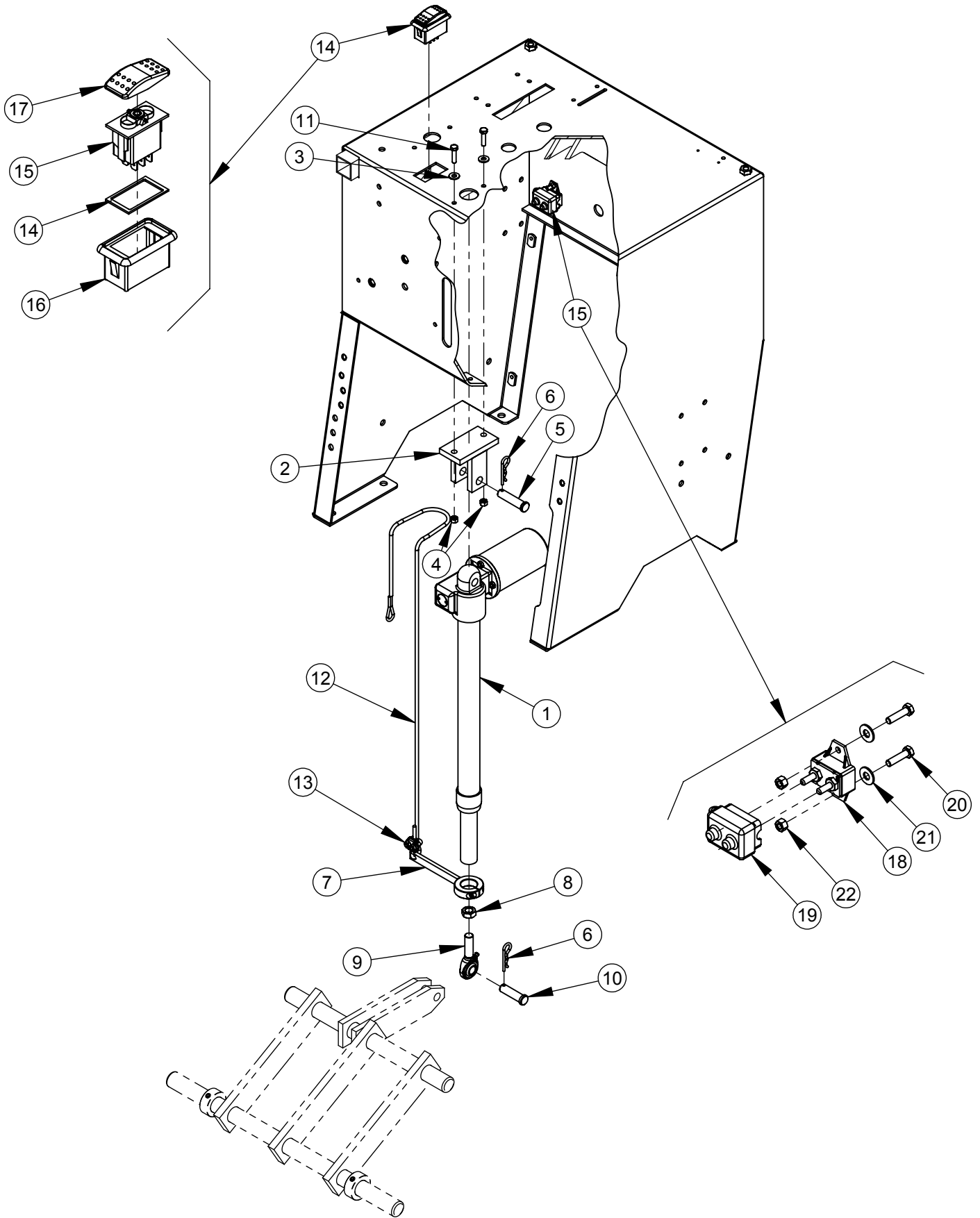
Hydraulic Power Raise/Lower Assembly (Propane)
#6047405

ITEM	PART NO.	QTY.	DESCRIPTION
1	2600724	1	Electro/Hyd Pump W/ Tank .75 GPM
2	2900031	3	Lock Washer, 5/16" Split
3	2900019	2	Cap Screw, Hex Hd., 5/16-18 x 3/4"
4	2900022	3	Flat Washer, 5/16" SAE
5	6048092	1	Battery Cable, 31" Negative (Black)
6	6047990	1	Battery Cable Assy., Red
7	2800197	1	Battery Boot, Small (Red)
8	6011766	1	Pump Guard
9	2900329	1	Cap Screw, Hex Hd., M8-1.25 x 20mm
10	2900611	1	Cap Screw, Flat Hd., M8-1.25 x 20mm
11	2500931	1	Rod End, 1/2-20 Male
12	2900354	1	Clevis Pin, 1/2" x 1-3/4"
13	2900276	2	Hairpin Cotter
14	2900109	1	Jam Nut, 1/2-20
15	6047966	1	Cable Connecting Arm
16	2501588	1	Hydraulic Cylinder
17	2900393	1	Clevis Pin, 1/2" x 2"
18	3200067	1	Breather Vent, 1/4" NPT
19	6047965	1	Actuator Clevis
20	2900302	2	Lock Nut, M6-1.0 Nylon Insert
21	2900311	2	Cap Screw, Hex Hd., M6-1.0 x 25mm
22	2900009	2	Flat Washer, 1/4" SAE
23	3200312	1	Elbow, 1/4" Male Pipe
24	3200056	1	Flow Control Valve, 1/4" NPT
25	3200057	1	Elbow, 1/4" M. Pipe to 1/4" M. JIC
26	6010248	1	Hose Assembly, 20" Long
27	6048064	1	Guard Mounting Tab, M8-1.25
28	3201241	1	Elbow, 1/4" M. JIC to 1/4" F. JIC
29	6019158	1	Rocker Switch Assembly

Rocker Switch Assembly
#6019158

ITEM	PART NO.	QTY.	DESCRIPTION
1	2800260	1	Rocker Mount Panel
2	2800261	1	Rocker Panel Gasket
3	2800258	1	Rocker Switch Body
4	2800259	1	Rocker Switch Actuator

Electric Power Raise/Lower Assembly
#6047406



Electric Power Raise/Lower Assembly
#6047406

ITEM	PART NO.	QTY.	DESCRIPTION
1	2500930	1	Actuator
2	6047965	1	Actuator Clevis
3	2900009	2	Flat Washer, 1/4" SAE
4	2900302	2	Lock Nut, M6-1.0 Nylon Insert
5	2900393	1	Clevis Pin, 1/2" x 2"
6	2900276	2	Hairpin Cotter
7	6047966	1	Cable Connecting Arm
8	2900109	1	Jam Nut, 1/2-20
9	2500931	1	Rod End, 1/2-20 Male
10	2900354	1	Clevis Pin, 1/2" x 1-3/4"
11	2900311	2	Cap Screw, Hex Hd., M6-1.0 x 25mm
12	6047968	1	Depth Indicator Cable
13	2500214	1	Cable Clamp
14	6019158	1	Rocker Switch Assembly
15	6047979	1	Circuit Breaker Assembly

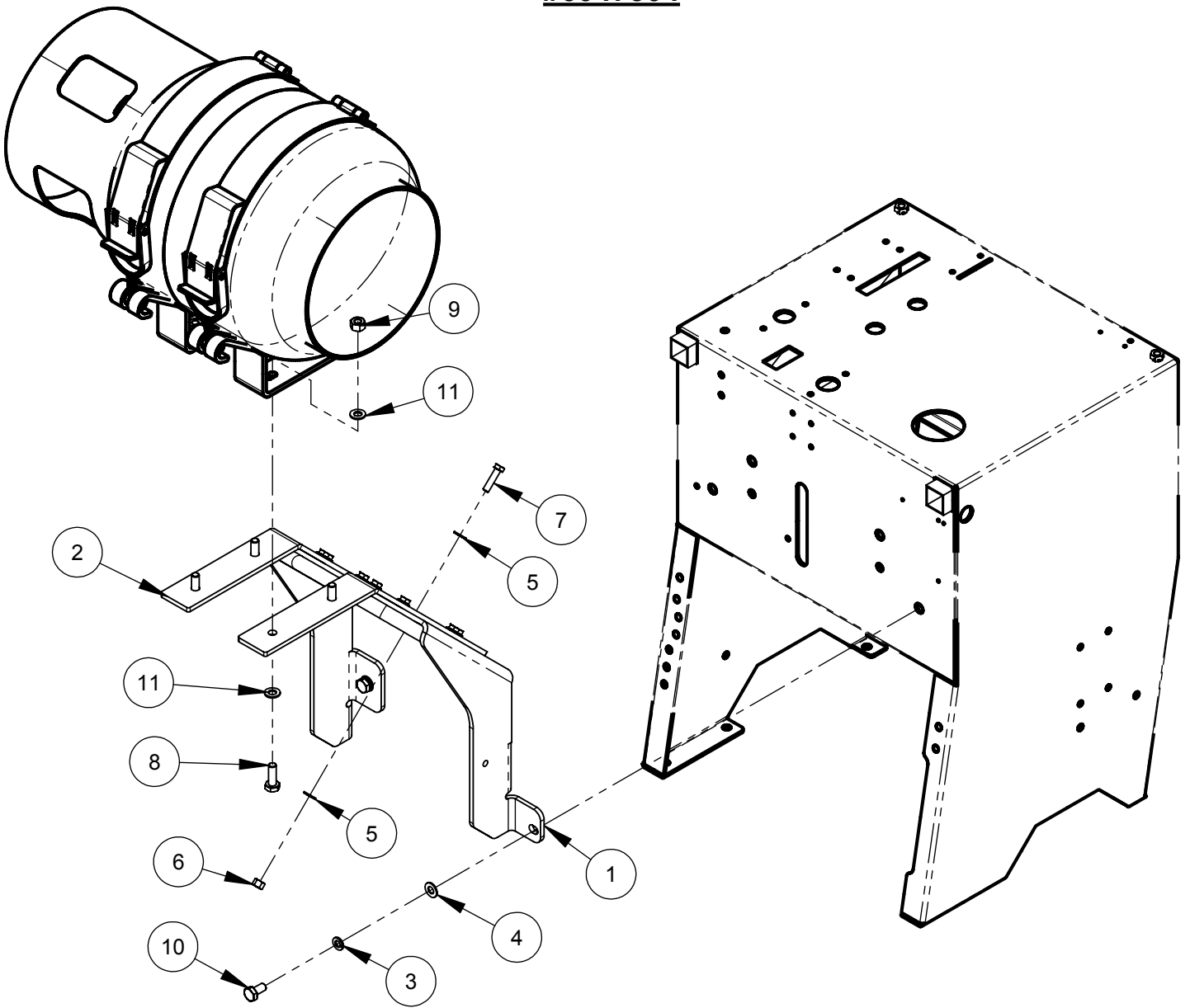
Rocker Switch Assembly
#6019158

ITEM	PART NO.	QTY.	DESCRIPTION
14	2800261	1	Rocker Panel Gasket
15	2800258	1	Rocker Switch Body
16	2800260	1	Rocker Mount Panel
17	2800259	1	Rocker Switch Actuator

Circuit Breaker Assembly
#6047979

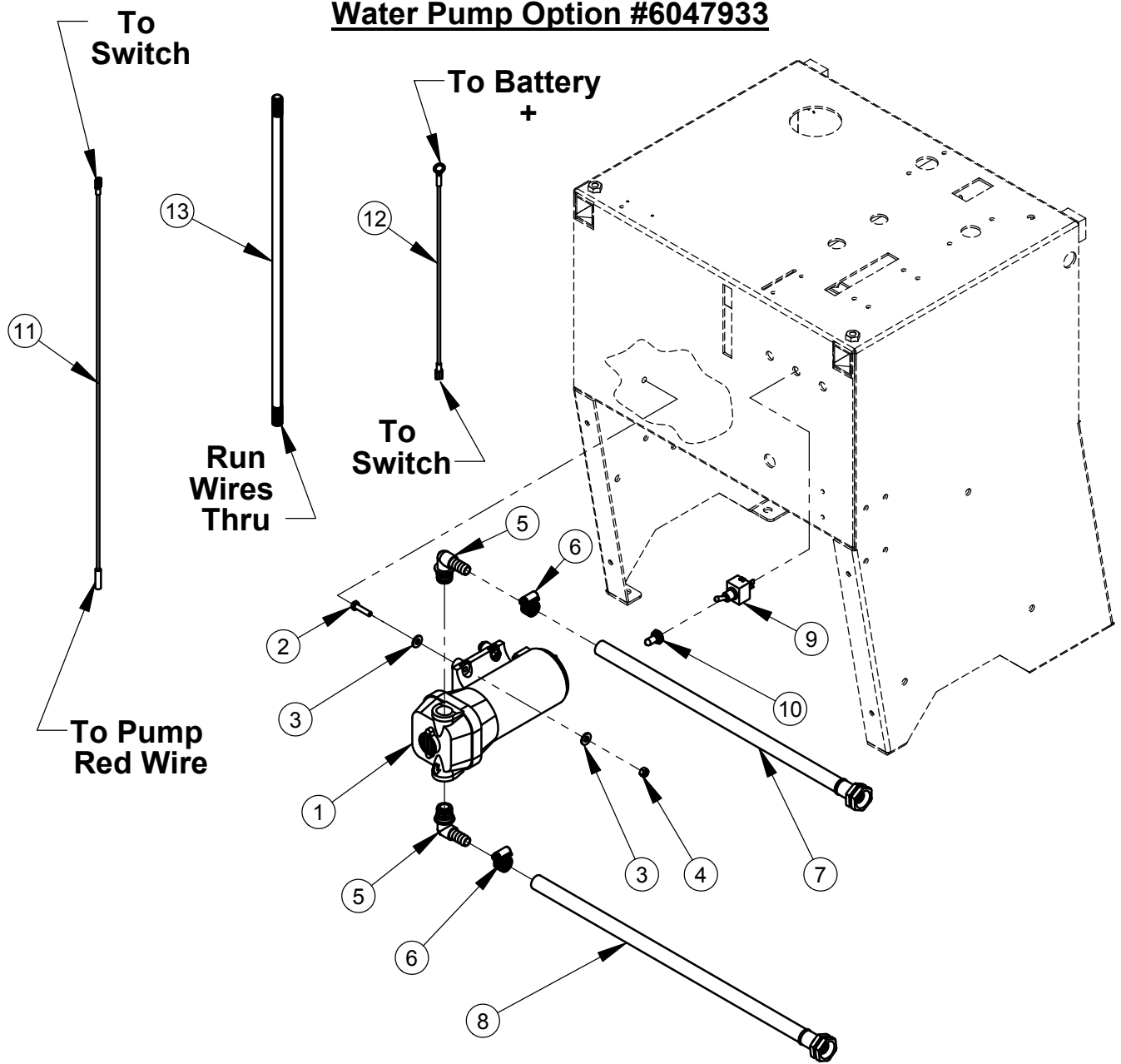
ITEM	PART NO.	QTY.	DESCRIPTION
18	2800363	1	Circuit Breaker 20 Amp
19	2800364	1	Circuit Breaker Boot
20	2900309	2	Cap Screw, Hex Hd., M5-0.8 x 20mm
21	2900016	2	Flat Washer, #10 USS
22	2900301	2	Lock Nut, M5-0.8 Nylon Insert

**Frame Lift/Propane Mount for
Power Raise Option
#6047304**



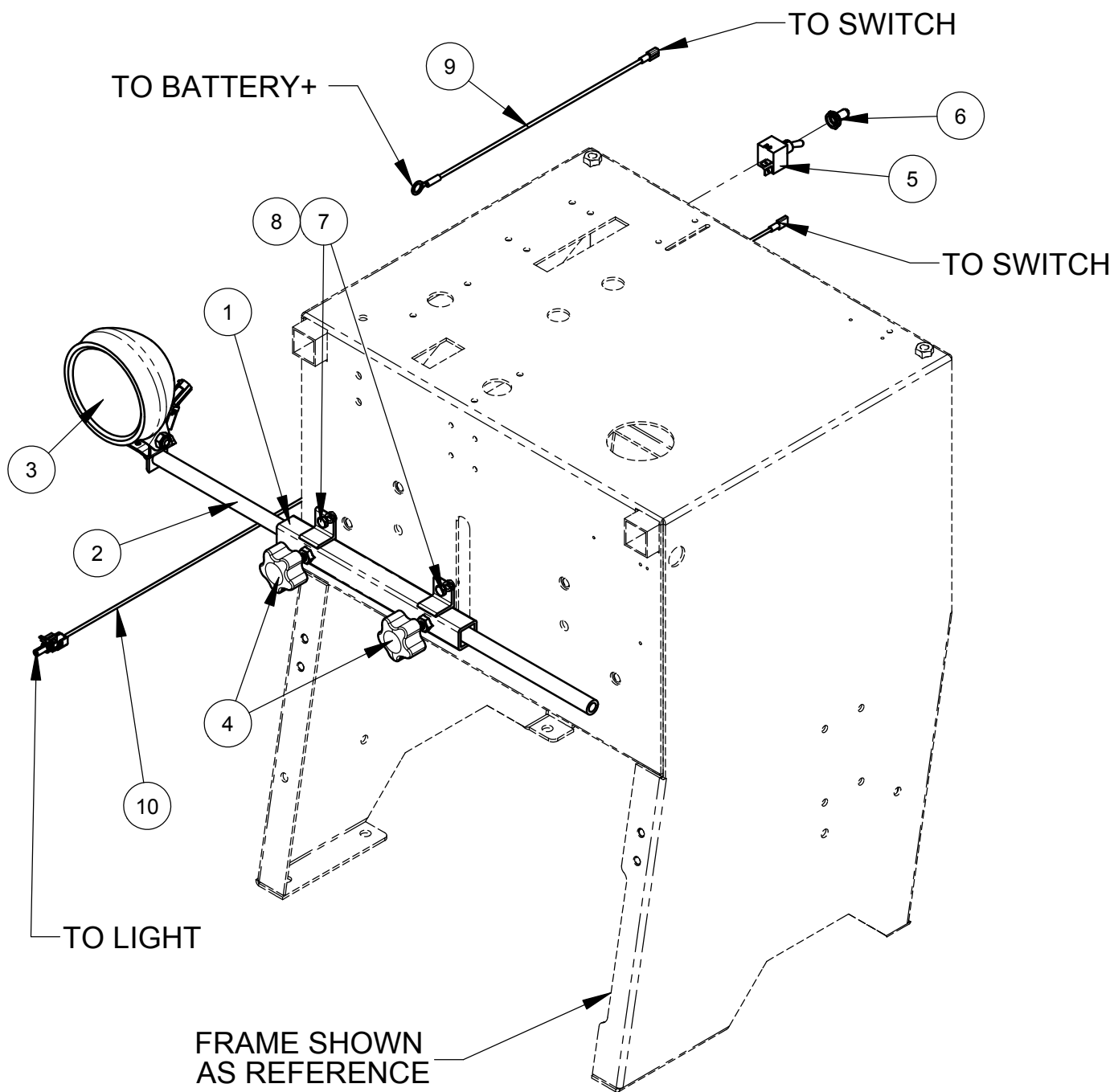
ITEM	PART NO.	QTY.	DESCRIPTION
1	6047987	1	Frame Lift Weldment
2	6041379	2	Propane Tank Mount
3	2900006	4	Lock Washer, 3/8" Split
4	2900014	4	Flat Washer, 3/8" SAE
5	2900022	16	Flat Washer, 5/16" SAE
6	2900039	8	Lock Nut, 5/16-18 Nylon
7	2900217	8	Cap Screw, Hex Hd., 5/16-18 x 1-1/4"
8	2900223	4	Cap Screw, Hex Hd., M10-1.5 x 30mm
9	2900304	4	Lock Nut, M10-1.5 Nylon Insert
10	2900314	4	Cap Screw, Hex Hd., M10-1.5 x 20mm
11	2901356	8	Flat Washer, M10

Water Pump Option #6047933

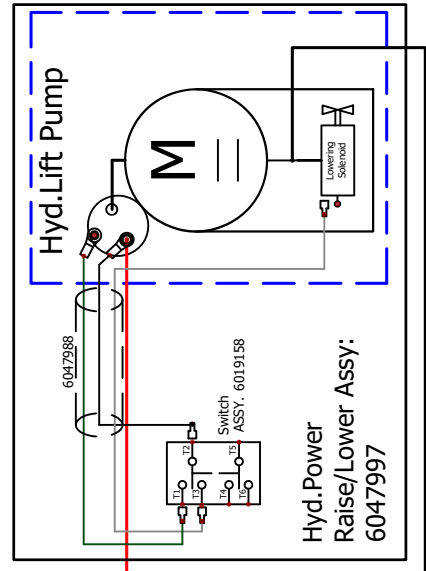
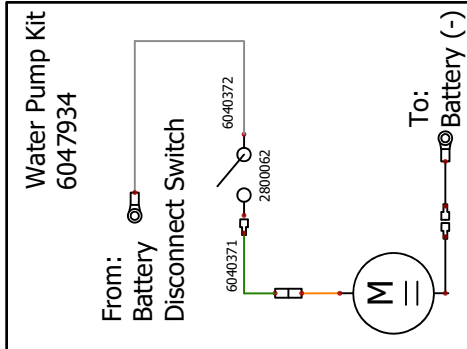
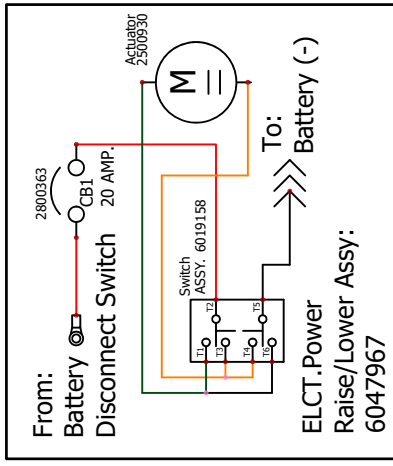
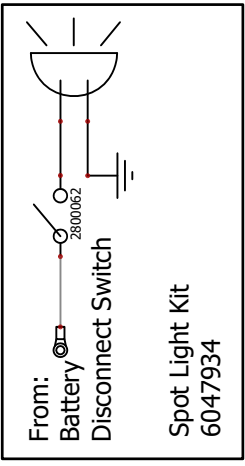
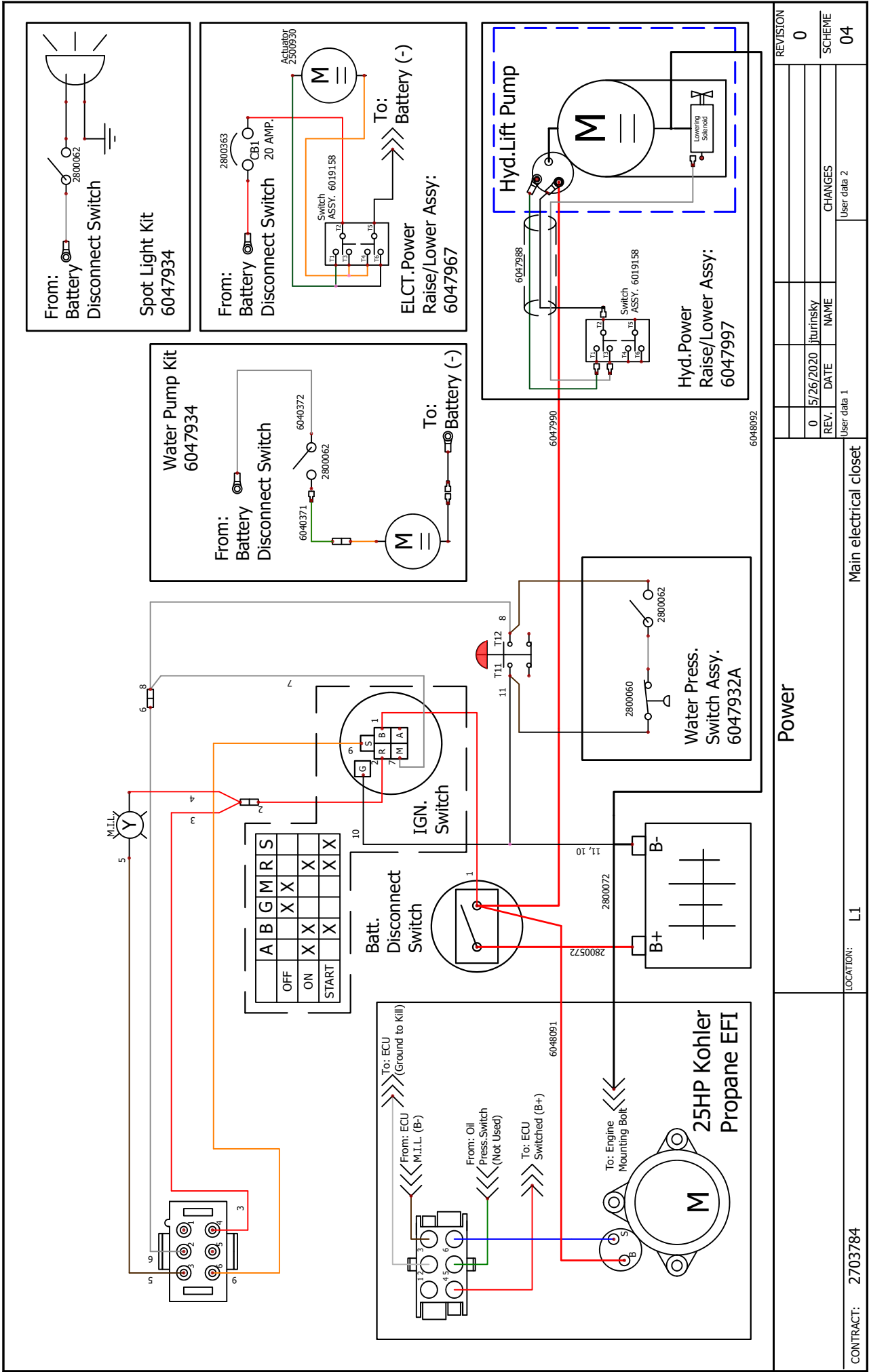


ITEM	PART NO.	QTY.	DESCRIPTION
1	2600200	1	Water Pump, 12V Diaphragm
2	2900311	4	Cap Screw, Hex Hd., M6-1.0 x 25mm
3	2900009	8	Flat Washer, 1/4" SAE
4	2900302	4	Lock Nut, M6-1.0 Nylon Insert
5	2701694	2	Port Fitting, 1/2" Barb x 90 Degree
6	3200016	2	Hose Clamp #8
7	6048167	1	Hose Assy., 3 Foot
8	6010302	1	Hose Assy., 4 Foot
9	2800062	1	Toggle Switch On/Off
10	2800063	1	Toggle Switch Boot
11	6040371	1	Wire Assy., 14 GA., Green 24"
12	6040372	1	Wire Assy., 14 GA., White 12"
13	4600087	1	Wire Cover, 3/8 x 20"

6047934 CC2500 SPOT LIGHT KIT



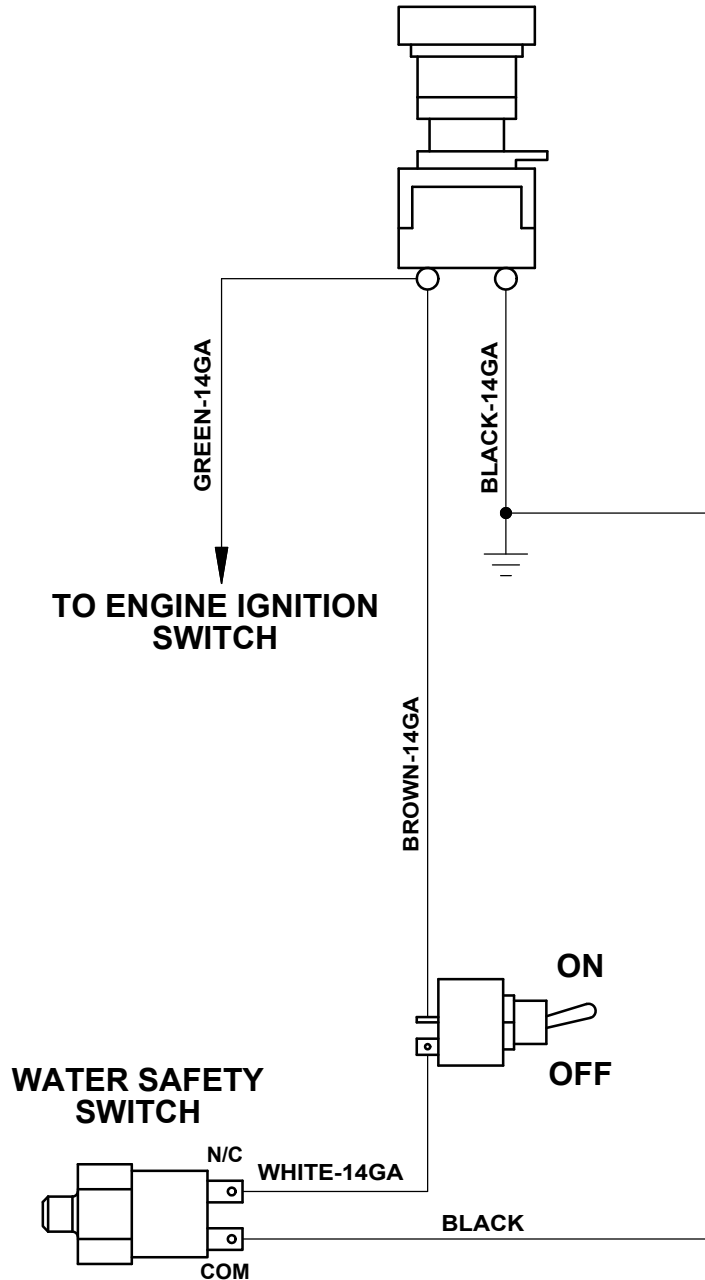
ITEM	PART NO.	QTY.	DESCRIPTION
1	6010107	1	Light Bar Mount Bracket
2	6010106	1	Light Bar
3	6011719	1	Light, 12V Spot Assy.
4	2400157	2	Hand Lock Knob, 5/16-18 x 1"
5	2800062	1	Toggle Switch On/Off
6	2800063	1	Toggle Switch Boot
7	2900310	2	Cap Screw, Hex Hd., M6-1.0 x 20mm
8	2900302	2	Lock Nut, M6-1.0 Nylon Insert
9	6010859	1	Wire Assy., 16 Ga., White, 13"
10	6010852	1	Wire Assy., 18 Gage, Black, 41-1/4"



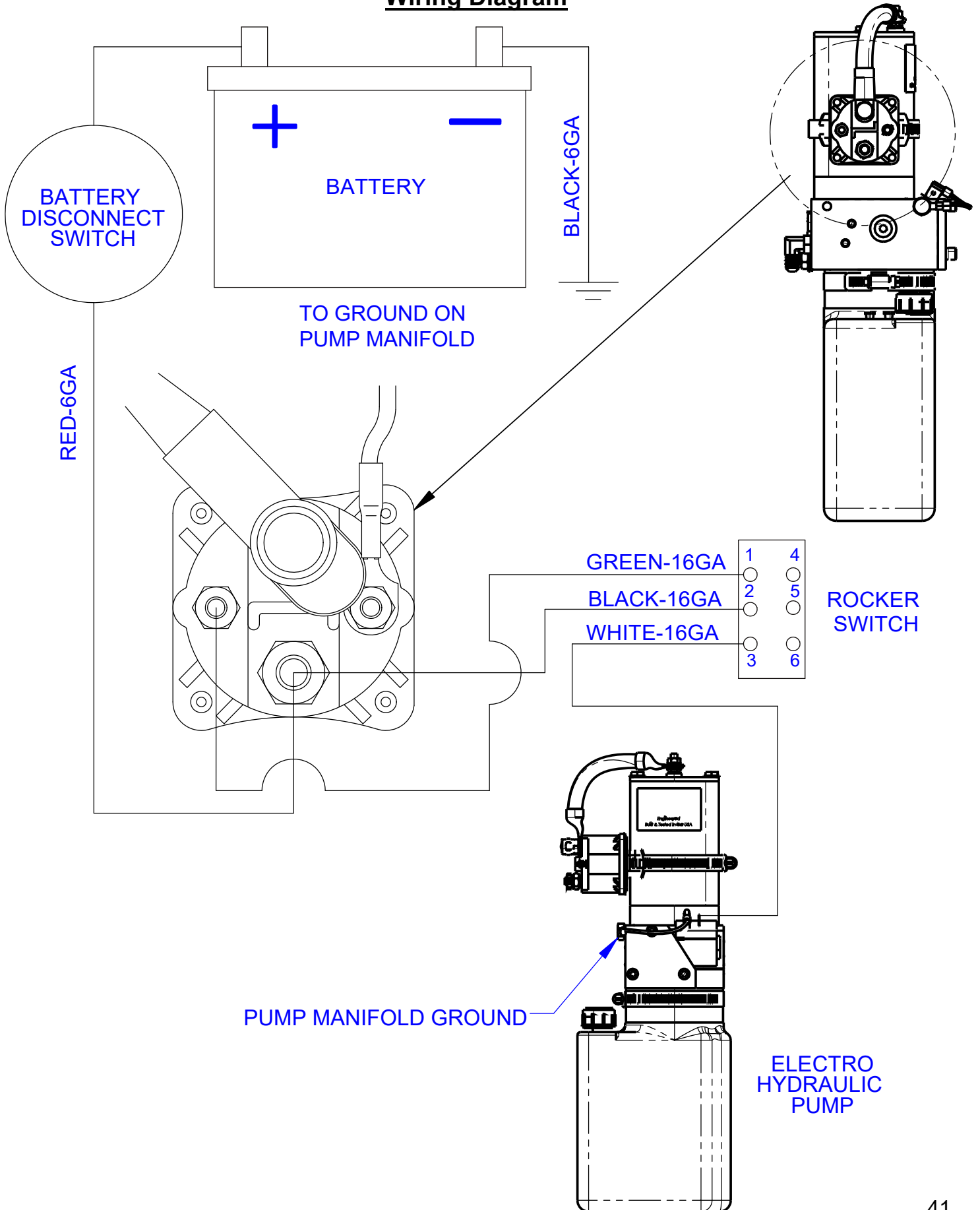
REVISION		0
REV.		0
DATE	5/26/2020	jturinsky
NAME	CHANGES	
User data 1		User data 2
Main electrical closet		
CONTRACT:		2703784
LOCATION:		L1
Power		

WATER SAFETY SWITCH OPTION
**(FOR ALL ENGINES/MOTORS EXCEPT HONDA V-TWIN
MODELS #GX630/GX660/GX690)**

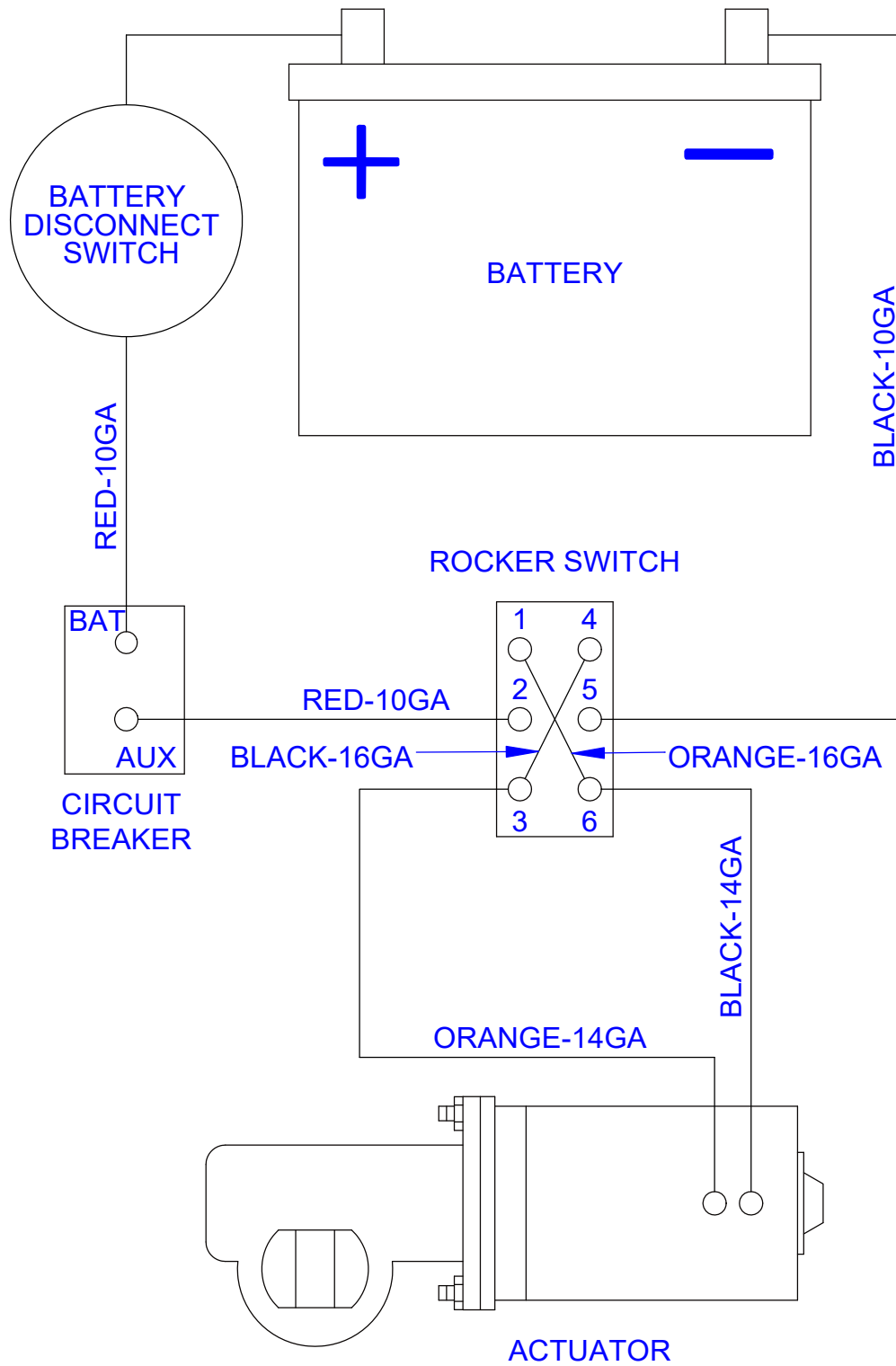
EMERGENCY STOP BUTTON



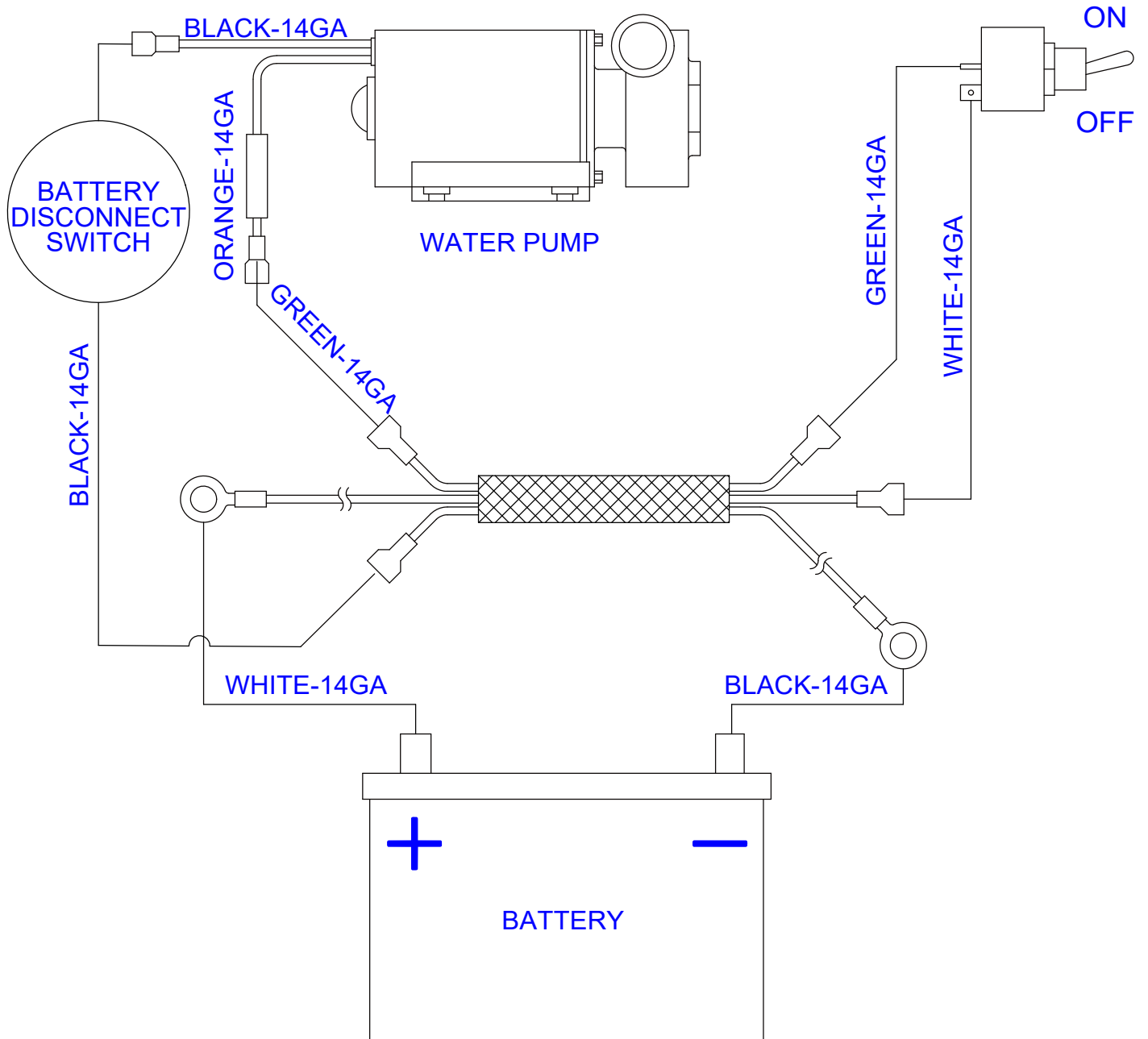
Optional Hydraulic Raise/Lower Wiring Diagram



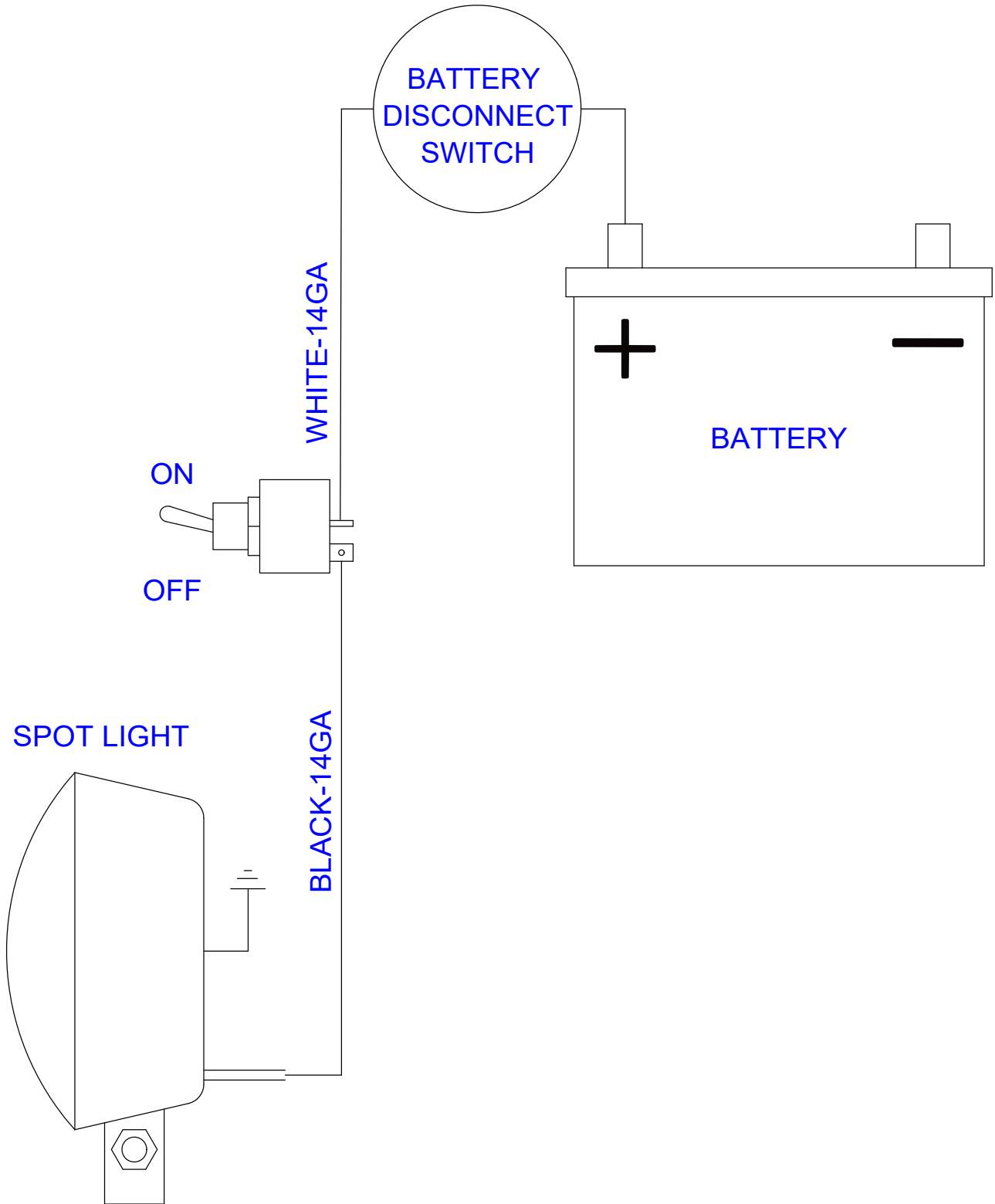
Optional Electric Raise/Lower Wiring Diagram



Optional Water Pump Wiring Diagram




**Optional Spotlight
Wiring Diagram**




Decal Group

OUTSOURCED - POLYCARB


PROPANE FUEL



Use vapor withdrawal tank only. It is specifically designed for this application. Using another tank designed for fork lift or other liquid tanks will not work and may cause serious damage to equipment or personnel.



LOWER / BAJAR



RAISE / SUBIR

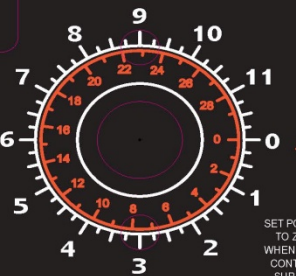

Starting the Engine

1. Open the supply valve on the propane tank.
2. Ensure the throttle is fully closed.
3. Turn the ignition switch to START and release when the engine starts.
4. Use the throttle to adjust the engine speed as necessary for maximum efficiency while operating. Refer to the engine manual for additional information.

Stopping the Engine


Due to the ability of propane to expand when operating in warmer temperatures, it is recommended that the propane tanks be shutoff while the engine is operating at normal operating speed. This will allow the propane to evacuate the lines and prevent flooding the engine.

1. With the engine operating at normal speed, close the supply valve on the propane tank.
2. When the engine stops running, turn the ignition switch to OFF and close the throttle.

SET POINTER TO ZERO WHEN BLADE CONTACTS SURFACE

WARNING / ADVERTENCIA



READ OWNERS MANUAL BEFORE OPERATING MACHINE	USE ONLY IN WELL VENTILATED AREA	ALL GUARDS MUST BE IN PLACE	MACHINERY HAZARD
LEA EL MANUAL ANTES DE OPERAR LA MAQUINA	UTILIZAR UNICA MENTE EN LUGARES BIEN VENTILADOS	TODAS LAS GUARDAS DEBEN ESTAR EN SU LUGAR	RIESGO - PARTES EN MOVIMIENTO


EMERGENCY STOP:
PUSH DOWN TO STOP
EMPUJAR HACIA ABAJO PARA PARAR


PULL UP TO RESTART:
ESTIRAR HACIA ARRIBA PARA ARRANCAR

ALWAYS WEAR PERSONAL PROTECTIVE EQUIPMENT
SIEMPRE USE EL EQUIPO DE PROTECCION PERSONAL DURANTE EL FUNCIONAMIENTO DE MAQUINARIA




CC2500 Walk Behind Saw PROPANE

Diamond Products Limited
800-321-5336 - www.diamondproducts.com






Part # 1802724

Made in the U.S.A.



CONTROL PANEL LABEL #1802724


WARNING

TO PREVENT SERIOUS INJURY DO NOT OPERATE SAW WITHOUT PROPER TRAINING & FULL UNDERSTANDING OF THE OWNERS MANUAL

WHEN OPERATING THIS MACHINE

KEEP ALL GUARDS IN PLACE

ALWAYS WEAR SAFETY APPROVED

-  HEARING PROTECTION
-  EYE OR FACE PROTECTION
-  HEAD PROTECTION
-  RESPIRATOR

MASONRY AND CONCRETE
S.M.I. SAW MANUFACTURERS INSTITUTED

WARNING LABEL# 1800001



WARNING DECAL #1802722



CORE CUT DECAL#1802716

EQUIPMENT AND PARTS WARRANTY

Diamond Products warrants all equipment manufactured by it against defects in workmanship or materials for a period of one (1) year from the date of shipment to Customer.

The responsibility of Diamond Products under this Warranty is limited to replacement or repair of defective parts at Diamond Products' Elyria, Ohio factory, or at a point designated by it, of such parts as shall appear to us upon inspection at such parts, to have been defective in material or workmanship, with expense for transportation and labor borne by Customer.

In no event shall Diamond Products be liable for consequential or incidental damages arising out of the failure of any Product to operate properly.

Integral units such as engines, electric motors, batteries, transmissions, etc., are excluded from this Warranty and are subject to the prime manufacturer's warranty.

THIS WARRANTY IS IN LIEU OF ALL OTHER WARRANTIES, EXPRESSED OR IMPLIED, AND ALL SUCH OTHER WARRANTIES ARE HEREBY DISCLAIMED.



333 Prospect Street, Elyria, Ohio 44035
(440) 323-4616 • (800) 321-5336 • Fax (800) 634-4035
www.diamondproducts.com