



# SERVICE PARTS LIST

**BULLETIN NO.**  
**54-07-2905**

SPECIFY CATALOG NO. AND SERIAL NO. WHEN ORDERING PARTS		REVISED BULLETIN	DATE
<b>M18™ Inspection Camera Monitor</b>			June 2020
CATALOG NO.	2971-20	SERIAL NUMBER	L03A
WIRING INSTRUCTION			

**EXAMPLE:**  
00 0 Component Parts (Small #) Are Included  
When Ordering The Assembly (Large #).

**For Small Reel Camera 2973-20:**  
Refer to Service Bulletin 54-07-2910

**For Large Reel Camera 2974-20:**  
Refer to Service Bulletin 54-07-2915

**For Smart Hub 2970-20:**  
Refer to Service Bulletin 54-07-2900

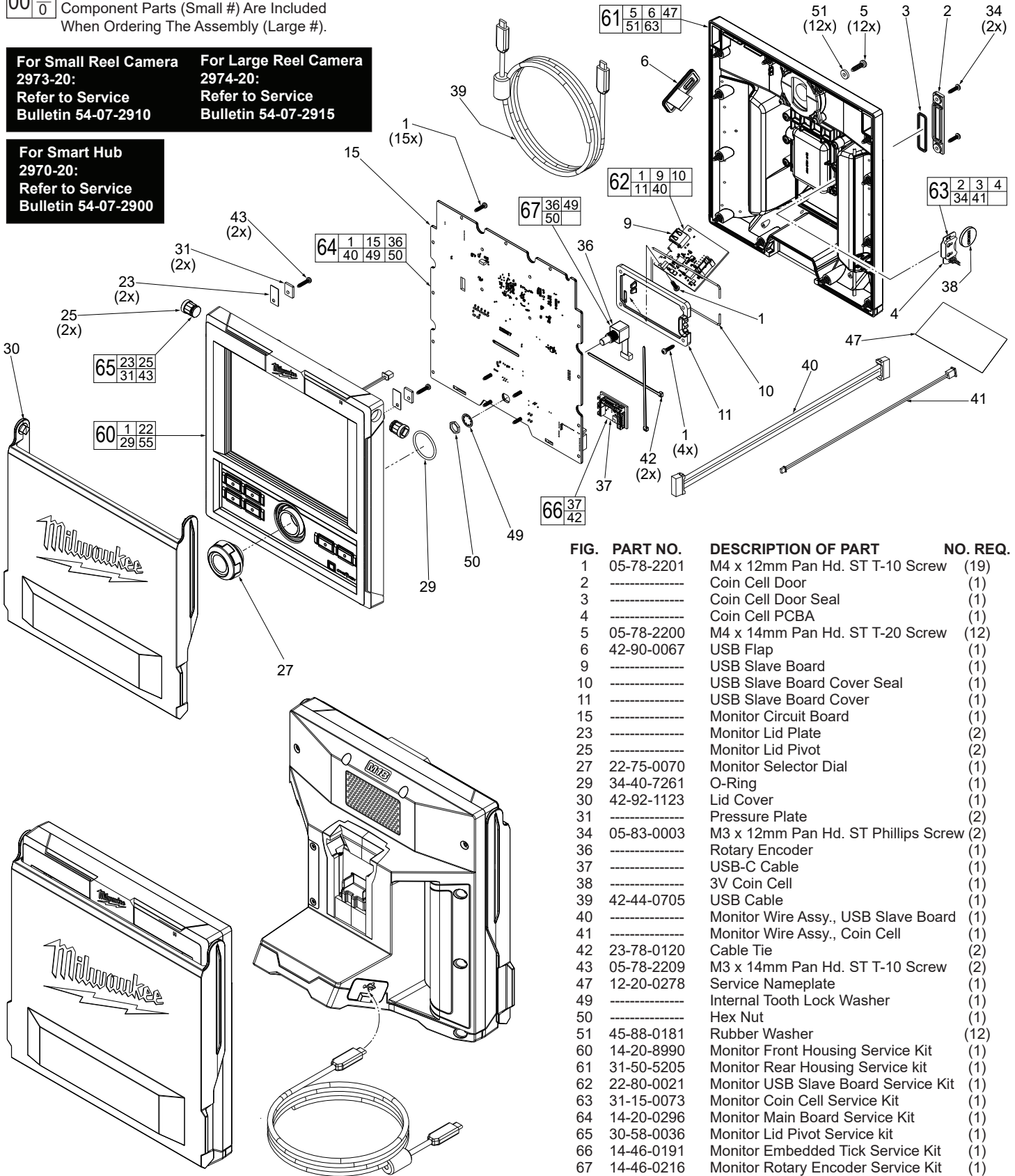


FIG.	PART NO.	DESCRIPTION OF PART	NO. REQ.
1	05-78-2201	M4 x 12mm Pan Hd. ST T-10 Screw	(19)
2	-----	Coin Cell Door	(1)
3	-----	Coin Cell Door Seal	(1)
4	-----	Coin Cell PCBA	(1)
5	05-78-2200	M4 x 14mm Pan Hd. ST T-20 Screw	(12)
6	42-90-0067	USB Flap	(1)
9	-----	USB Slave Board	(1)
10	-----	USB Slave Board Cover Seal	(1)
11	-----	USB Slave Board Cover	(1)
15	-----	Monitor Circuit Board	(1)
23	-----	Monitor Lid Plate	(2)
25	-----	Monitor Lid Pivot	(2)
27	22-75-0070	Monitor Selector Dial	(1)
29	34-40-7261	O-Ring	(1)
30	42-92-1123	Lid Cover	(1)
31	-----	Pressure Plate	(2)
34	05-83-0003	M3 x 12mm Pan Hd. ST Phillips Screw	(2)
36	-----	Rotary Encoder	(1)
37	-----	USB-C Cable	(1)
38	-----	3V Coin Cell	(1)
39	42-44-0705	USB Cable	(1)
40	-----	Monitor Wire Assy., USB Slave Board	(1)
41	-----	Monitor Wire Assy., Coin Cell	(1)
42	23-78-0120	Cable Tie	(2)
43	05-78-2209	M3 x 14mm Pan Hd. ST T-10 Screw	(2)
47	12-20-0278	Service Nameplate	(1)
49	-----	Internal Tooth Lock Washer	(1)
50	-----	Hex Nut	(1)
51	45-88-0181	Rubber Washer	(12)
60	14-20-8990	Monitor Front Housing Service Kit	(1)
61	31-50-5205	Monitor Rear Housing Service kit	(1)
62	22-80-0021	Monitor USB Slave Board Service Kit	(1)
63	31-15-0073	Monitor Coin Cell Service Kit	(1)
64	14-20-0296	Monitor Main Board Service Kit	(1)
65	30-58-0036	Monitor Lid Pivot Service kit	(1)
66	14-46-0191	Monitor Embedded Tick Service Kit	(1)
67	14-46-0216	Monitor Rotary Encoder Service Kit	(1)