

Compact configuration for transport and storage  
 Shown including C3KAP extension and Conduit Adapter Kit

**IToolCo.**

(865)670-3713

TITLE:

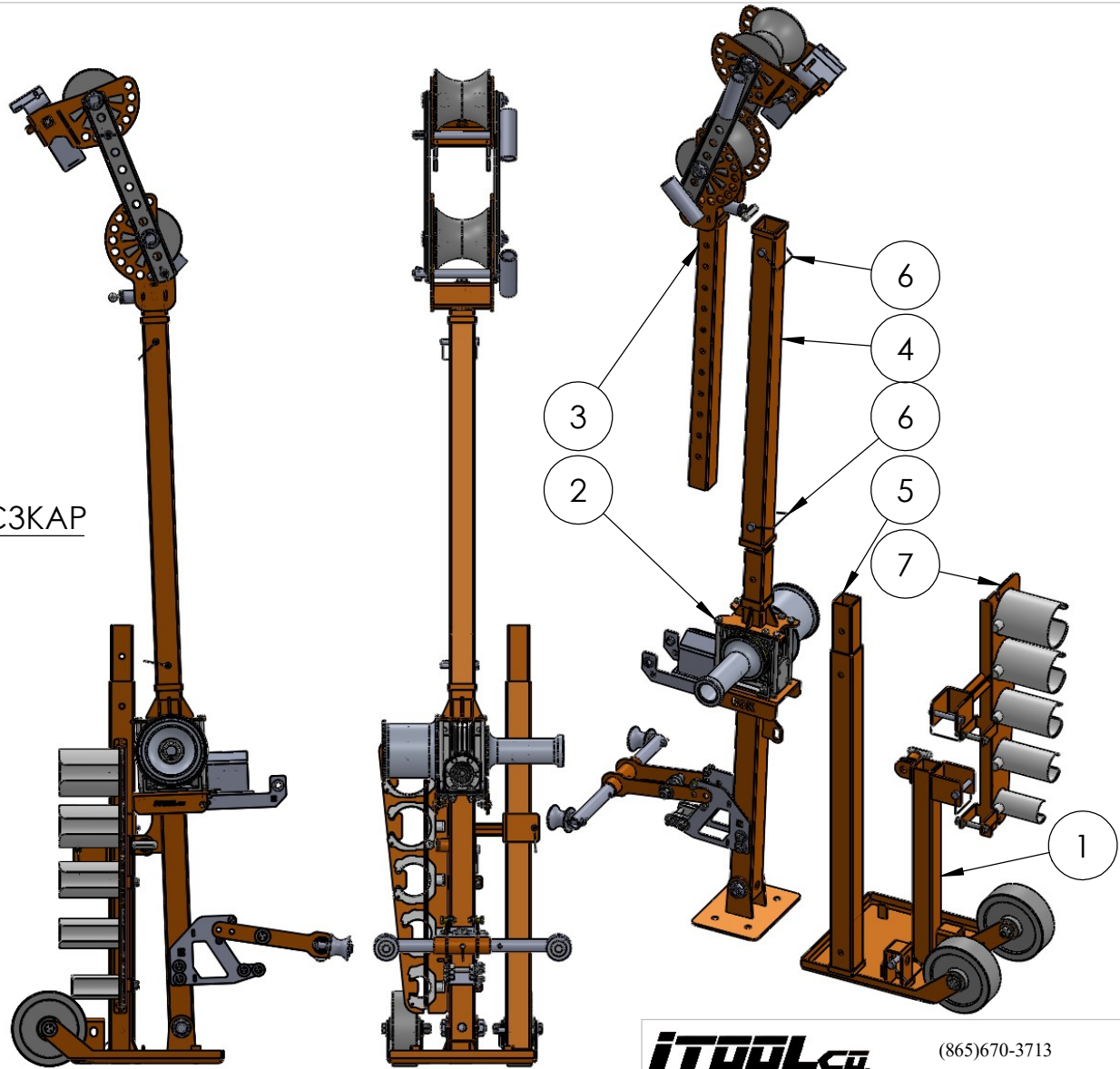
Cordless Milwaukee Motor 3K Puller

NAME	D. Jordan	DATE	??
SIZE	DWG. NO.	REV	
<b>A</b>	<b>CM3K</b>		
SCALE: 1:20	WEIGHT:	SHEET 1 OF 8	

ITEM NO.	PART NUMBER	DESCRIPTION	QTY.
1	C3K-604	Assembled Cart Base	1
2	C3K-603	3K Gearbox Base Unit	1
3	C3K-602	Main and front roller assem with extensions	1
4	C6K-409.2	Outer Extensionn w/ weld on sleeves	1
5	C6K-408	Additional Extension	1
6	SP-181	3/8 Pin w/ retainer	4
7	C3K-605	Adapter Plate and Adapters	1

C3KAP

Pulling Configuration with adapters and extra extension(C3KAP) mounted on cart



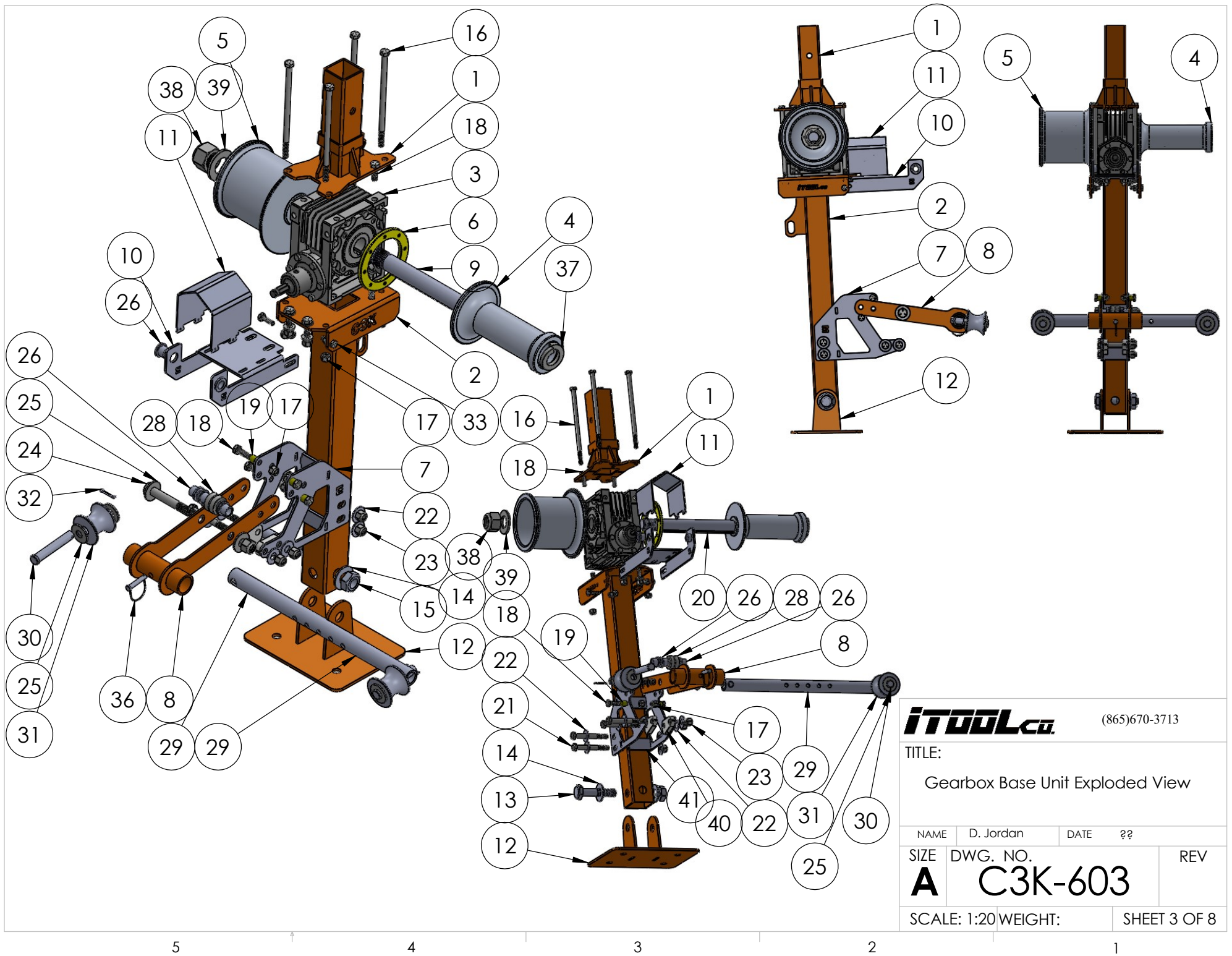
**ITool**co.

(865)670-3713

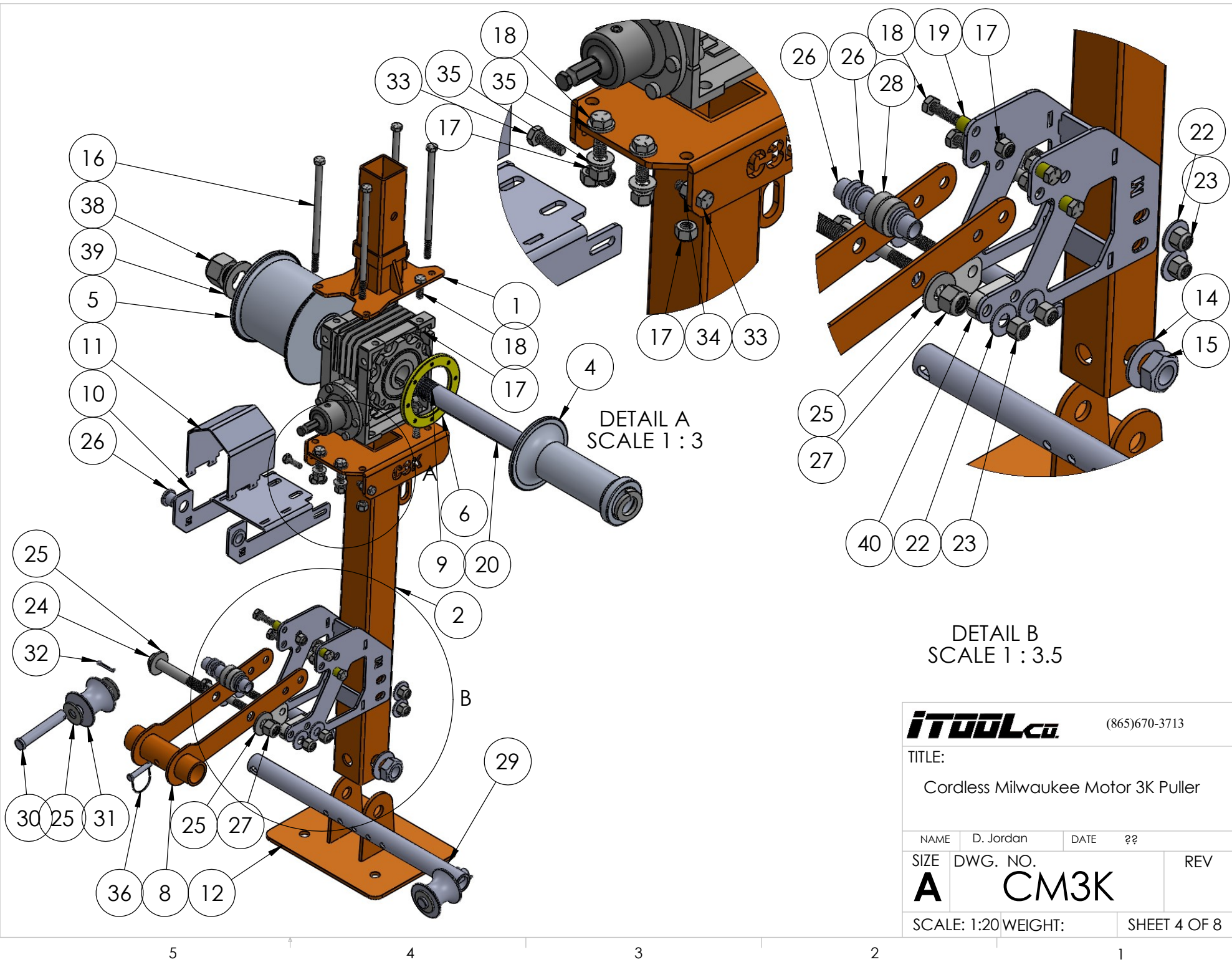
TITLE:

Cordless Milwaukee Motor 3K Puller

NAME	D. Jordan	DATE	??
SIZE	DWG. NO.	REV	
<b>A</b>	<b>CM3K</b>		
SCALE: 1:20	WEIGHT:	SHEET 2 OF 8	



<b>ITool</b> co.		(865)670-3713	
TITLE: Gearbox Base Unit Exploded View			
NAME	D. Jordan	DATE	??
SIZE	DWG. NO.	REV	
<b>A</b>	<b>C3K-603</b>		
SCALE: 1:20		WEIGHT:	SHEET 3 OF 8



<b>IToolCo.</b>		(865)670-3713	
TITLE: Cordless Milwaukee Motor 3K Puller			
NAME	D. Jordan	DATE	??
SIZE	DWG. NO.	REV	
<b>A</b>	<b>CM3K</b>		
SCALE: 1:20		WEIGHT:	SHEET 4 OF 8

ITEM NO.	PART NUMBER	DESCRIPTION	QTY.
1	C3K-401	Gearbox Top	1
2	C3K-402	Gearbox Bottom	1
3	GB-006	3K Gearbox	1
4	C3K-100M	High Torque Capstan	1
5	C3K-101M	High Speed Capstan	1
6	SP-274	3K Brass bearing	1
7	C3K-417	Mill Cordless Motor Handle mount	2
8	C3K-408	Trigger pull weldment	1
9	SP-273	3k Output Shaft	1
10	C3K-412	Cordless Mil Motor Mount	1
11	C3K-413	Motor Cover Coated	1
12	C6K-402	Base Plate	1
13	HW-173	5/8" 11t x 3.25" Bolt	1
14	HW-176	5/8" SAE Washer	2
15	Hw-182	5/8" nyloc nut	1
16	HW-352	5/16" 18T x 6.5L G5 Bolt	4
17	HW-353	5/16" 18T Nylock Hex Nut	14
18	HW-354	5/16" 18T x 1"L G5 Hex Bolt	10
19	SP-249	5/16"ID 7/16"OD x 3/8" long oilite sleeve	4
20	HW-355	5/16" Sq. x7"L Key Stock	1
21	HW-142	3/8" 16t X 3" Hex Bolt	4
22	HW-166	1/2" Flat Washer	8
23	HW-306	3/8 16T x nyloc nut	4
24	HW-356	1/2" 13T x 3.5"L G5 Hex Bolt	1
25	HW-166	1/2" flat washer	6
26	SP-108	Capture Bushing	6
27	HW-168	1/2" 13t Nyloc nut	1
28	SP-149	Interior Roller Bearing	1
29	C6K-410	Coated Rope roller tube	1
30	HW-254	1/2" X 3"L Clevis pin	2
31	SP-109	Rope roller	2
32	HW-222	1/8" cotter pin	2
33	HW-120	1/4"-20t x 7/8" hex bolt	2
34	HW-128	1/4 20 Nyloc nut	2
35	HW-357	5/16" Flat Washer	4
36	HW-250	.25 Hitch Pin	1
37	HW-358	1" Split Lock Washer	1
38	HW-358	1" 8T Nylock Nut	1
39	HW-200	1" Flat Washer	1
40	C3K-418	Zincd Motor Handle Spacer	2
41	C3K-419	Tabbed Motor Handle Spacer	2

TITLE:  
Gearbox Base Unit BOM

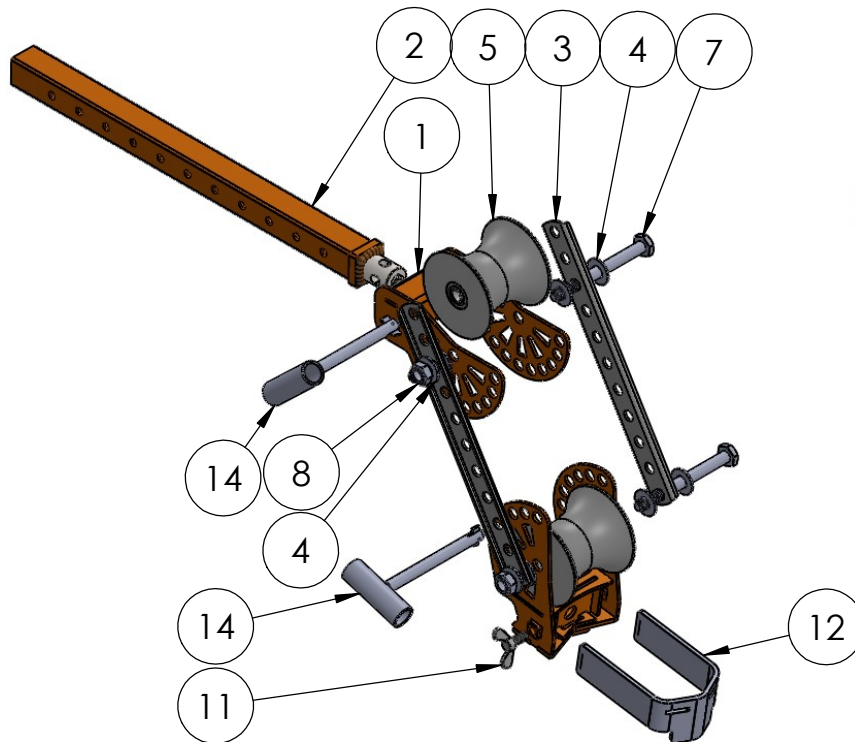
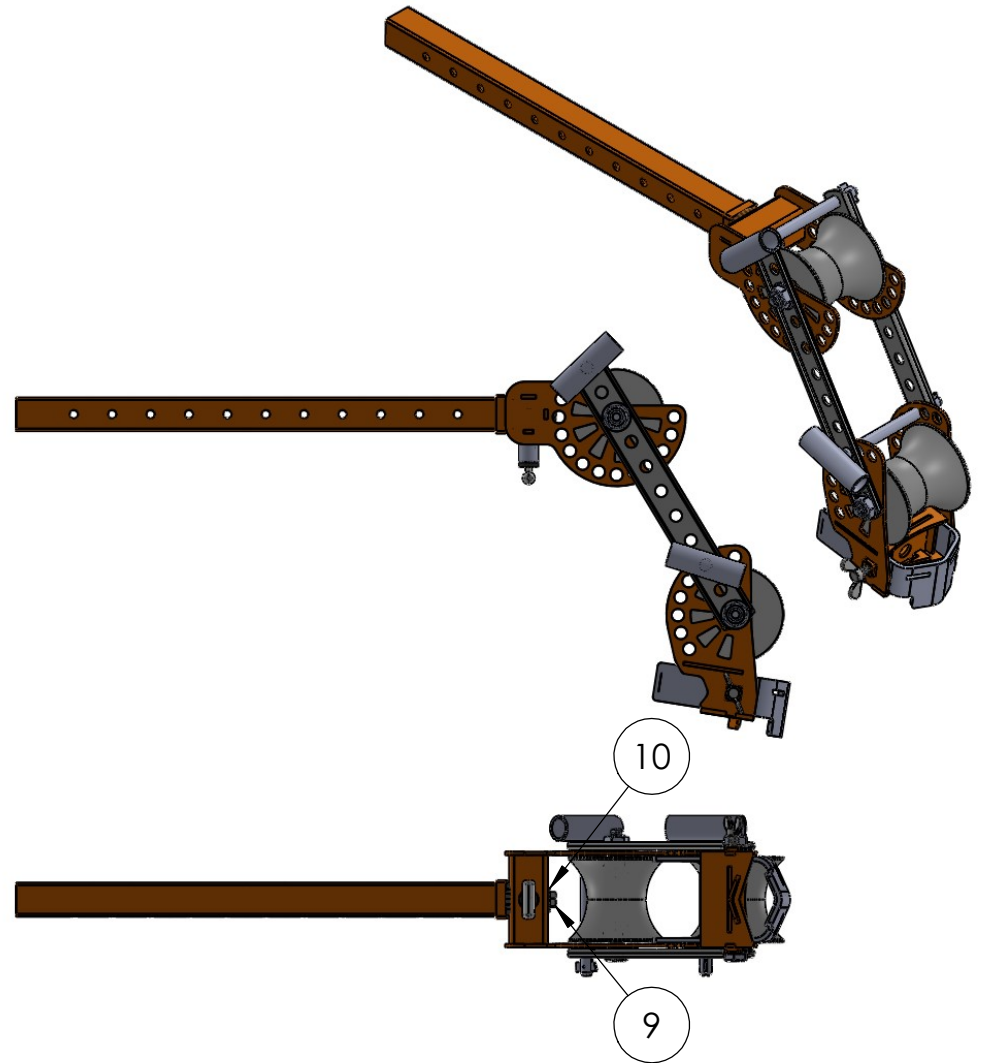
??

DWG. NO.

**C3K-603**

WEIGHT: SHEET 5 OF 8

ITEM NO.	PART NUMBER	DESCRIPTION	QTY.
1	C3K-405.3	Main roller 3K	1
2	C6K-405	Inner Telescoping Tube	1
3	C3K-411	3K Side arm Coated	2
4	HW-176	5/8" SAE Washer	8
5	SP-264	3K Roller	2
6	C6K-407	Front Knuckle	1
7	HW-175	5/8" 11t x 6.5" Bolt	2
8	Hw-182	5/8" nyloc nut	2
9	HW-159	1/2" 13T x .75"L Bolt	1
10	HW-166	1/2" flat washer	1
11	HW-164	1/2" 13t Wing Bolt	1
12	CK-10	Universal Adapter	1
13	SP-001.2	Pull Pop Pin	1
14	SP-182	5/8" Hitch Pin w/ Flashlight Holder	2



**IToolCo.**

(865)670-3713

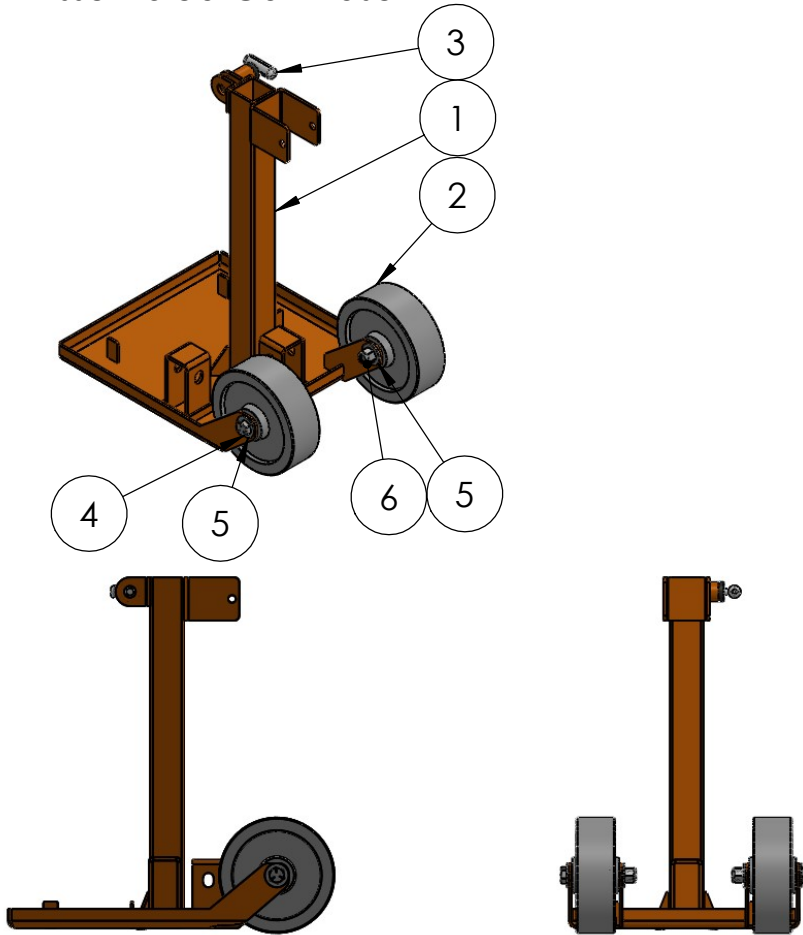
TITLE:

Main and Front rollers with Ext.

NAME	D. Jordan	DATE	??
SIZE	DWG. NO.	REV	
<b>A</b>	<b>C3K-602</b>		
SCALE: 1:20	WEIGHT:	SHEET 6 OF 8	

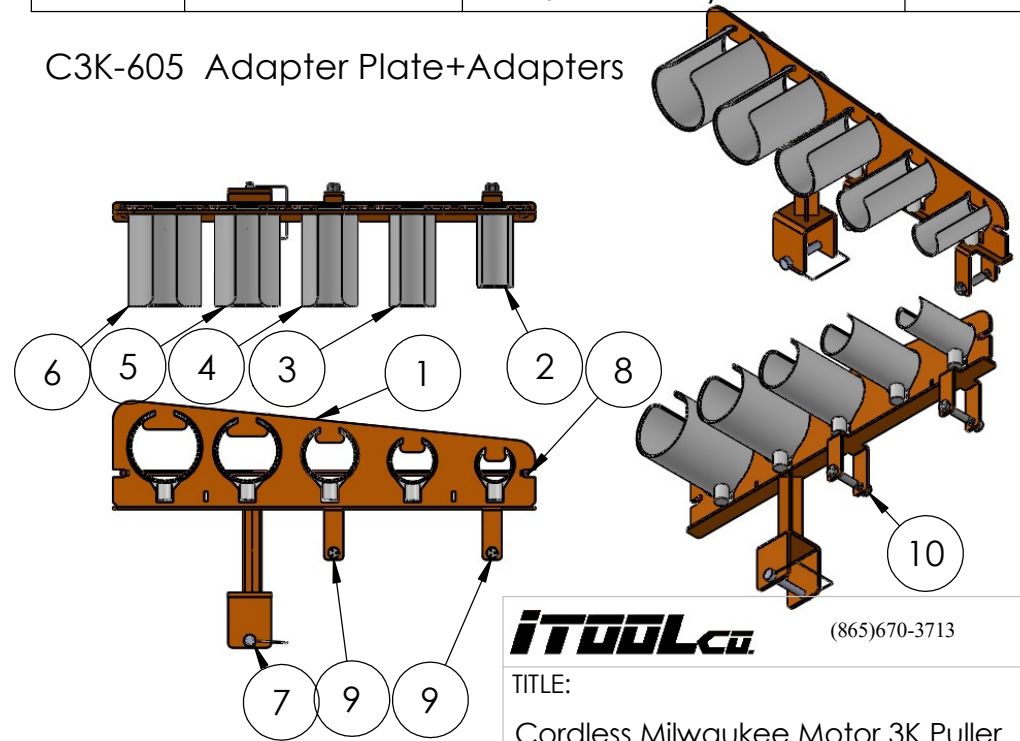
ITEM NO.	PART NUMBER	DESCRIPTION	QTY.
1	C3K-409.2	Cart Base	1
2	SP-283	6" x 2" phenolic wheel	2
3	SP-001.2	Pull Pop Pin	1
4	HW-356	1/2" 13T x 3.5"L G5 Hex Bolt	2
5	HW-166	1/2" flat washer	4
6	HW-168	1/2" 13t Nyloc nut	2

C3K-604 Assembled Cart Base



ITEM NO.	PART NUMBER	DESCRIPTION	QTY.
1	C3K-410	Adapter plate	1
2	CK-20	2" Conduit Adapter	1
3	CK-25	2.5" Conduit Adapter	1
4	CK-30	3" Conduit Adapter	1
5	CK-35	3.5" Conduit Adapter	1
6	CK-40	4" Conduit Adapter	1
7	SP-181	3/8 Pin w/ retainer	1
8	SP-189	18" Orange bungee	1
9	HW-136	2.5" - 3/8 x 16T G5 cap screw	2
10	HW-306	3/8 16T x nyloc nut	2

C3K-605 Adapter Plate+Adapters



**IToolCo.**

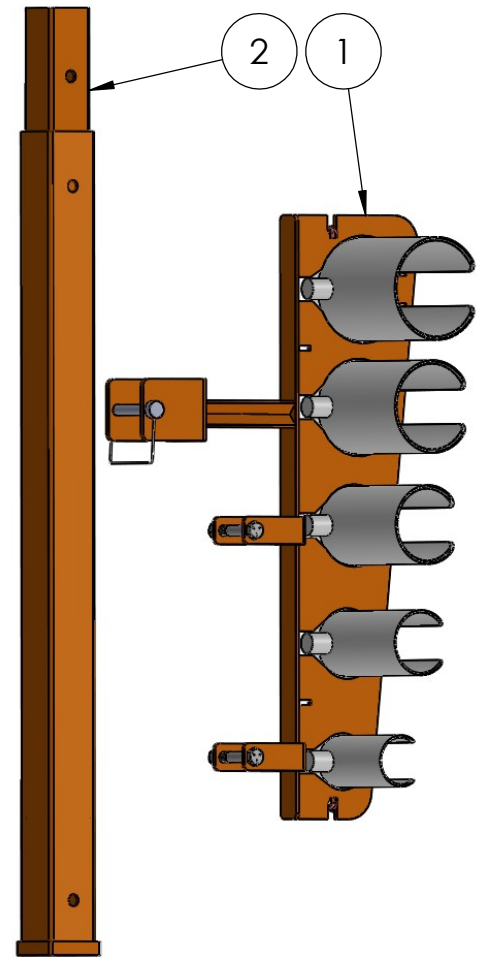
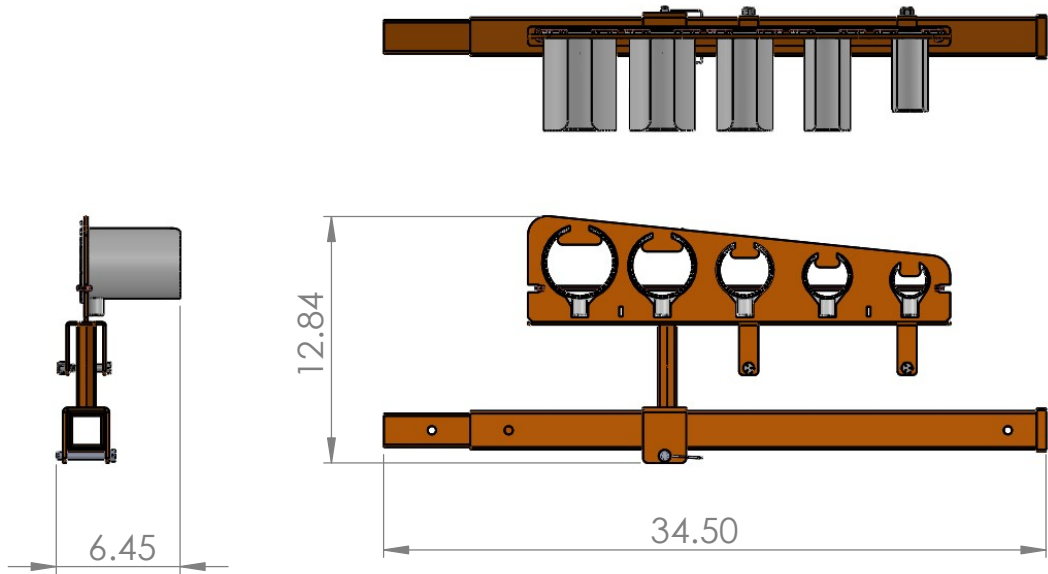
(865)670-3713

TITLE:

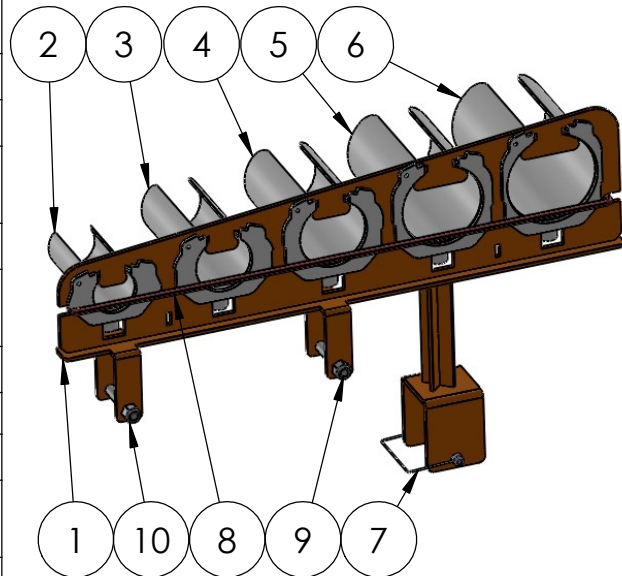
Cordless Milwaukee Motor 3K Puller

NAME	D. Jordan	DATE	??
SIZE	DWG. NO.	REV	
<b>A</b>	<b>CM3K</b>		
SCALE: 1:20	WEIGHT:	SHEET 7 OF 8	

ITEM NO.	PART NUMBER	DESCRIPTION	QTY.
1	C3K-605	Adapter Plate and Adapters	1
2	C6K-408	Additional Extension	1



ITEM NO.	PART NUMBER	DESCRIPTION	QTY.
1	C3K-410	Adapter plate	1
2	CK-20	2" Conduit Adapter	1
3	CK-25	2.5" Conduit Adapter	1
4	CK-30	3" Conduit Adapter	1
5	CK-35	3.5" Conduit Adapter	1
6	CK-40	4" Conduit Adapter	1
7	SP-181	3/8 Pin w/ retainer	1
8	SP-189	18" Orange bungee	1
9	HW-136	2.5" - 3/8 x 16T G5 cap screw	2
10	HW-306	3/8 16T x nyloc nut	2



**IToolCo.**

(865)670-3713

TITLE:

Accessory Pack fo 3K Pullers

NAME	D. Jordan	DATE	??
SIZE	DWG. NO.	REV	
<b>A</b>	<b>C3KAP</b>		
SCALE: 1:20	WEIGHT:	SHEET 8 OF 8	