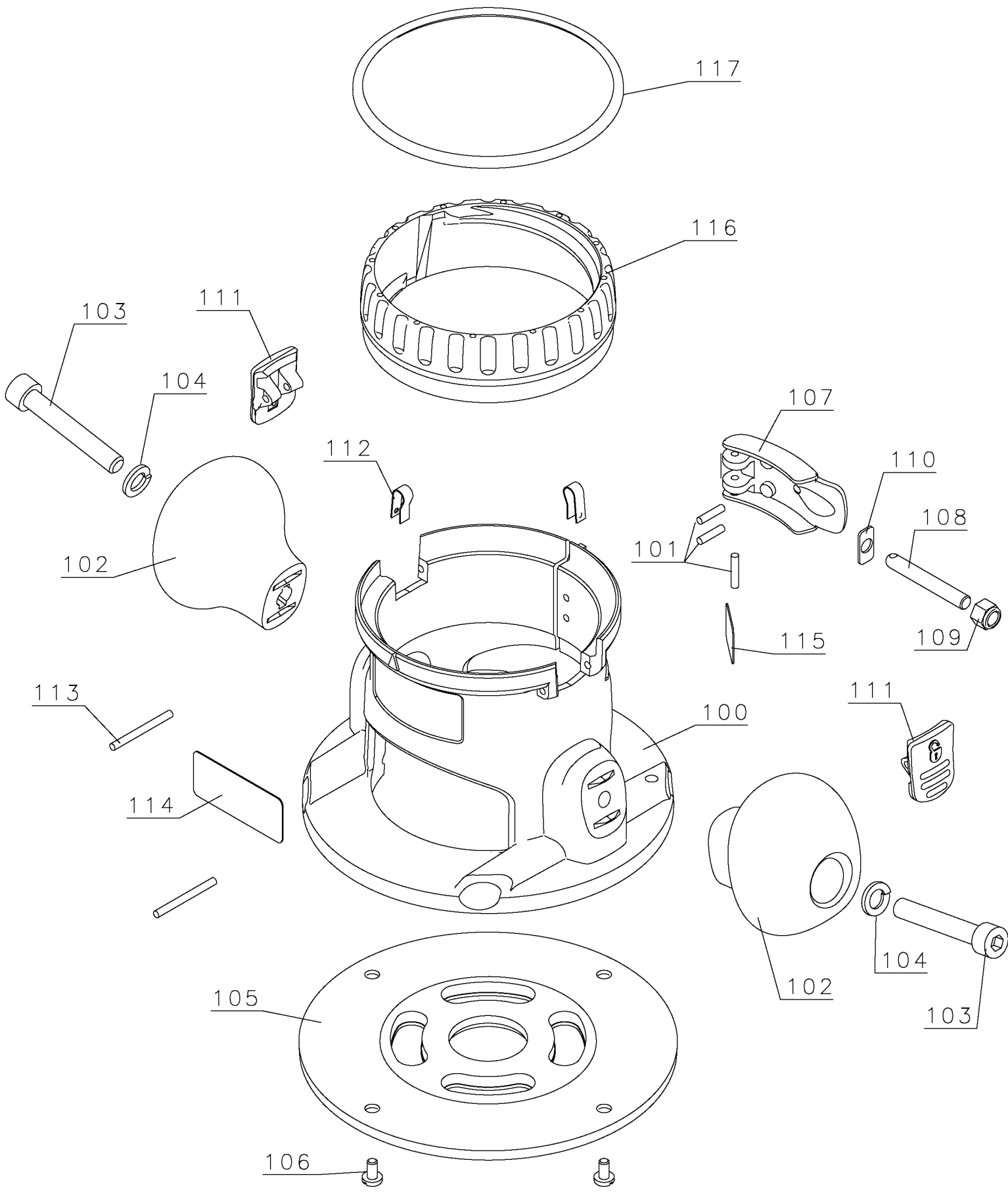




Click Here To View
Item at

www.GapPower.com

*Sales • Rentals
Parts & Service*



Parts List for DW616 Type 1

Item Number	Part Number	Description	Qty Required
1	396310-00	MOTOR HOUSING	1
2	146555-01	BEARING, BALL	1
3	394219-00	CLAMP NUT	1
4	398221-00SV	ARMATURE & BRG.	1
5	330045-57	SCREW	3
6	399064-00	TOGGLE SWITCH	1
7	399028-00	SWITCH BOOT	1
8	397500-00	RECEPTACLE	1
9	397501-00	WIRE GUARD	1
10	397564-00	END CAP	1
11	033055-00	PLUG	1
12	330045-09	SCREW	4
13	150036-00	SCREW,GROUND	1
14	399063-00	CORDSET	1
15	330003-09	BEARING,BALL	1
16	053650-03	TERMINAL	1
17	608552-00	GROUND WIRE	1
18	608551-00	LEADWIRE	1
19	397566-01	BRUSH RING ASM	1
20	398139-01	BRUSH ASSY.	2
21	397569-00SV	FIELD	1
22	330019-27	SCREW,TORX	2
23	398216-00	FIELD CASE	1
24	5140060-14	COLLET & NUT	1
24	326286-04	COLLET & NUT	1
24	326286-03	COLLET & NUT	1
25	399068-00	WRENCH	2

COPYRIGHT© 2005. All Rights Reserved.

Parts list, pricing, and availability subject to change. Please visit www.dewaltservicenet.com for current parts information.

Parts List for DW616 Type 1

Item Number	Part Number	Description	Qty Required
26	612616-00	NAME PLATE	1
34	607523-00	SUB BASE ALIGN. CONE	1
35	607522-00	BASE ALIGN. SHAFT	1
36	607545-00	TERMINAL	2
100	396308-00	FIXED BASE	1
101	330041-45	ROLL PIN	3
102	397560-00	KNOB	2
103	607395-00	SCREW	2
104	098197-09	LOCKWASHER	2
105	397531-01	SUB BASE	1
105	397531-00	SUB BASE	1
106	609842-00	SCREW	4
107	397503-00	CLAMP LEVER	1
108	397504-00	THREADED ROD	1
109	330021-01	NUT,STOP	1
110	606623-00	SPACER	1
111	397406-00	LATCH RELEASE	2
112	397411-00	SPRING	2
113	330041-44	ROLLER PIN	2
114	397450-00	ID LABEL	1
115	397451-00	LABEL	1
116	396311-00	ADJUSTING RING	1
117	612054-00	ADJUSTING RING	1
861	397683-00	KIT BOX	1
876	397591-00	MOTOR ASSEMBLY	1

COPYRIGHT© 2005. All Rights Reserved.

Parts list, pricing, and availability subject to change. Please visit www.dewaltservicenet.com for current parts information.