

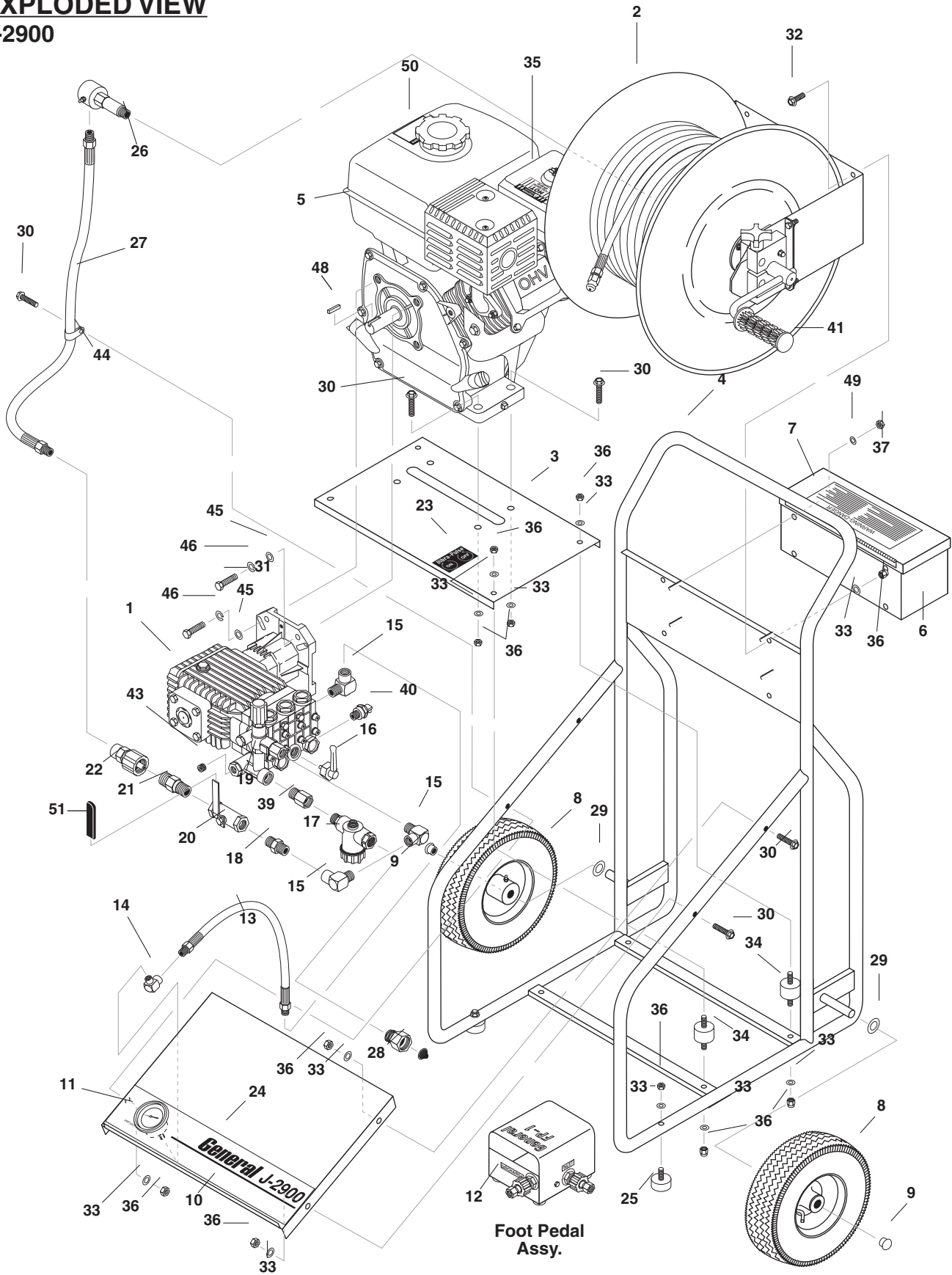


Click Here To View
Item at

www.GapPower.com

*Sales • Rentals
Parts & Service*

EXPLODED VIEW
J-2900



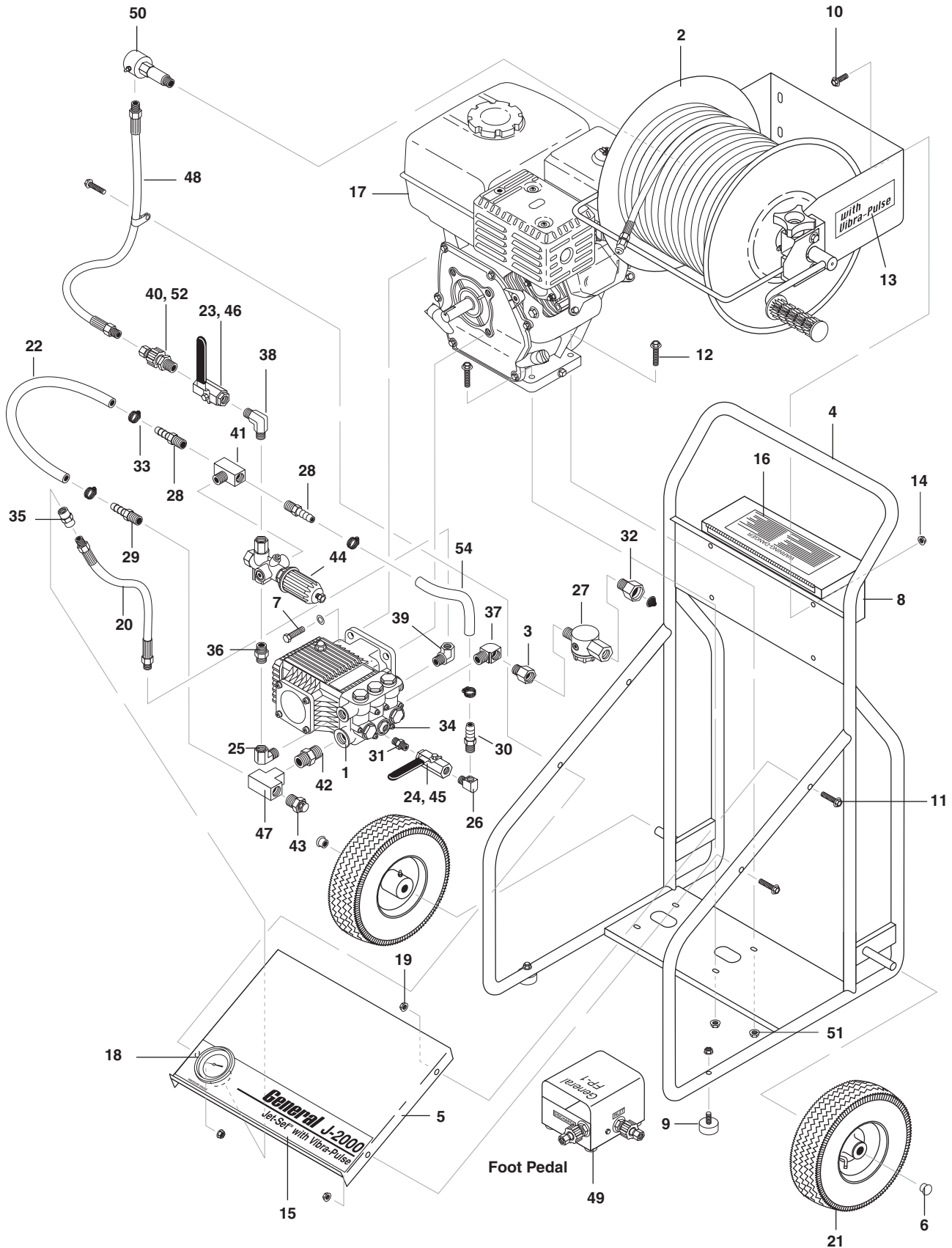
EXPLODED VIEW PARTS LIST J-2900

ITEM	PART NO.	DESCRIPTION	QTY
1	5-23120	Pump, General TX1510G8	1
	90-80951	▲ Oil 30WT Det /Gal.	1
2	4-02751015	Assy Hose Reel, J-2900	1
3	95-07103151	Base, Engine Mount, J-2900	1
4	95-07103150	Weld Frame J-2900	1
5	5-010721	Engine Gas, 13 HP Honda	1
	11-1005	▲ Tag, Caution No Oil/Engine	1
6	95-07103208	Box, Tool, Orange	1
7	11-0113	Decal, JSG Warn Danger	1
8	4-0303	Wheel Pneu-10x4.0 5/8" HUB	2
9	90-200422	Cap Axle 5/8", BLK	2
10	95-07103152	Sheet, Fab Panel, J-2900	1
11	4-050351	Gauge, Panel Mount, Glycerin	1
12	26-FP-1	Pedal, Foot (Optional)	1
13	4-02011413	Hose, 1/4" x 13.25", 1/4"MS x 3/8" M	1
14	2-1018	Elbow, 1/4", Fem	1
15	2-0031	Elbow, 3/8" Street, P/N, TF, C3409 x 6	3
16	1-100316	Valve, Jutter, EZ Pump	1
17	2-1923	Strainer, 1/2 PA, Inline Plastic	1
18	2-0006	Nipple, 3/8" x Hex Steel, P/N, C3069 x 6	1
19	5-3025	Unloader, PA 8GPM@3600 PSI VB75K	1
20	2-30002	Valve, 3/8" Ball, Steel	1
21	2-2115	Plug, 3/8" MPT x MZZ, Screw Type	1
22	2-2113	Coupler, 3/8" Female, Screw Type 7640	1
23	11-10160	Label, Vibra-Pulse	1
24	11-202900	Decal, 2900	1

ITEM	PART NO.	DESCRIPTION	QTY
25	2-01015	Bumper, Rubber 1", w/Bolt	2
26	4-027510282	Swivel, 1/2" x 1/2" Pipe	1
27	4-02037834	Hose, 3/8" x 34", 3/8"MS x 3/8"MSW	1
28	2-10942	Swivel, 1/2" MP x 3/4"GHF, w/Strainer	1
29	90-4005	Washer, 5/8" Flat, SAE	2
30	90-19714	Bolt, Hex, 5/16" x 1-1/2" FLG	8
31	90-1018	Bolt, Hex, G5 3/8" x 16 x 1-1/2"4	
32	90-19713	Screw, 5/16" x 3/4" Whiz Loc	4
33	90-4001	Washer, 5/16" Flat, SAE	22
34	2-01016	Mount, Rubber	4
35	10-02025A	Label, Hot/Caliente	1
36	90-2001	Nut, 5/16" ESNA, NC	22
	97-504	▲ Lit Form, Warranty Registration	1
	8.914-324.0 / 97-6117		
		▲ Manual, General Jet Set	1
37	90-2000	Nut, 1/4" ESNA, NC	1
38	2-30062	▲ Anti-Siphon Valve	1
39	2-1100	Adapter, 1/2" x 1/2"	1
40	2-30082	Pump Protector, 1/2"	1
41	2-01101	Grip, 1" Handle	1
42	2-00681	▲ Bushing, 1/2" x 3/8" Steel	1
43	2-1044	Plug, 1/8" Countersunk	1
44	2-9016	Clamp, Screw	1
45	90-4002	Washer, 3/8" Flat	4
46	90-4009	Washer, 3/8" Lock, Split	4
47	2-01442	▲ Plug, Garden Hose Adapter	1
48	95-07141121	Key, .247 Sqaure x 2-1/8"	1
49	90-4000	Washer, 1/4" Flat, SAE	1
50	10-02029	Label, Danger Cool Engine	1
51	2-01209	Cover, Handle General	1

▲ Not Shown

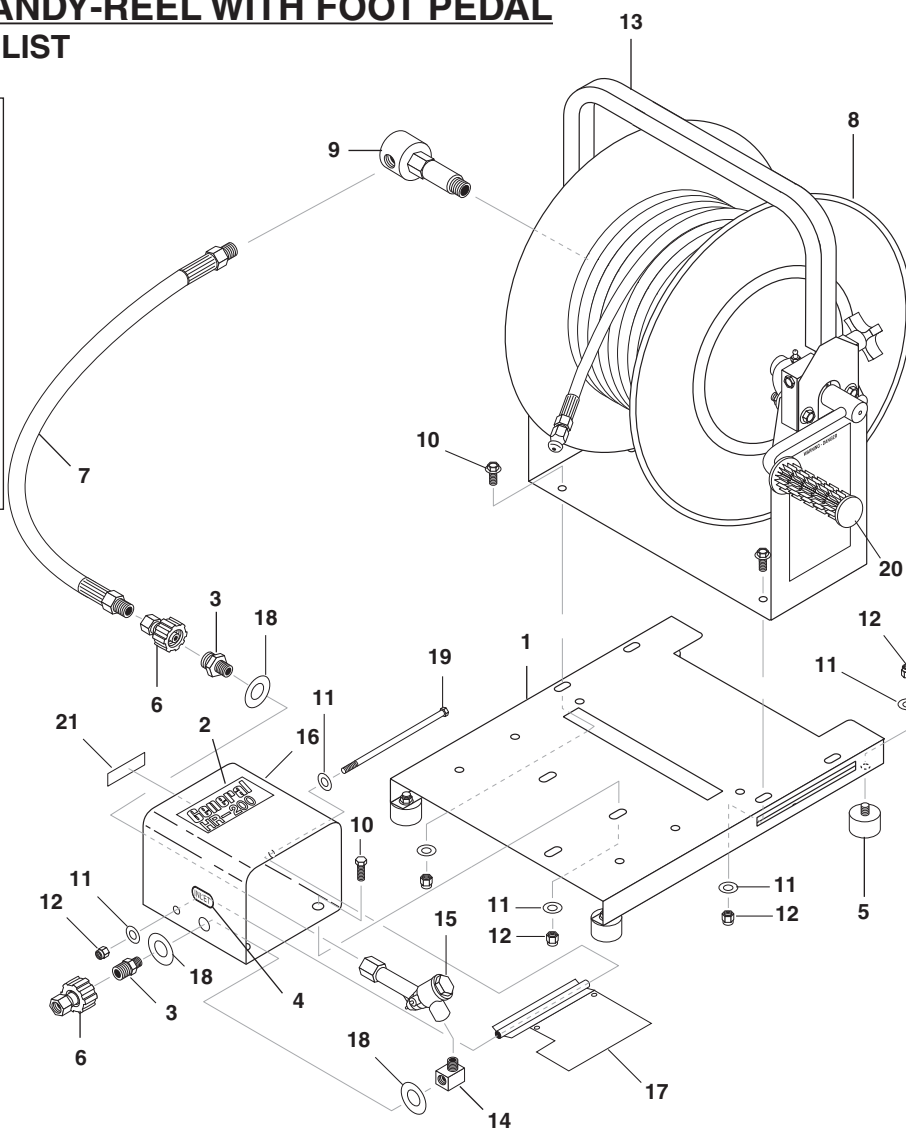
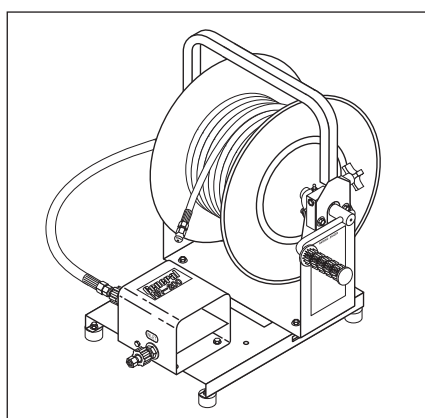
EXPLODED VIEW
J-2000



EXPLODED VIEW PARTS LIST J-2000

ITEM	PART NO.	DESCRIPTION	QTY	ITEM	PART NO.	DESCRIPTION	QTY
1	5-2255	Pump AR XTV3G20D-F7C44	1	29	2-10865	Nipple Hose 1/2" NPT x 1/2"H BR	1
	90-8051	▲ Oil 30WT Det /Gal.	1	30	2-008802	Nipple Hose 1/4" NPT x 1/2"H PL	1
	11-1002	▲ Decal Warning Plug	2	31	2-0004	Nipple Hex 1/4" x 1.45" 5000 WP	1
	11-3104	▲ Tag, Water Temp to Pump	1	32	2-10942	Swivel, 1/2" MP x 3/4" GHF	1
2	4-02751016	Hose Reel, J-2000	1		2-30062	▲ Anti-Siphon Valve	1
3	2-1100	Adapter, 1/2" x 1/2" Pipe	1	33	2-9002	Clamp, Screw, #6	4
4	95-07103230	Weld Frame J-2000	1	34	83-1260162T	Plug Manifold 1/4" Gas Tap	1
5	95-07103231	Sheet Fab Panel J-2000	1	35	2-0022	Coupler, 1/4 Pipe	1
6	90-200422	Cap Axle 5/8", BLK	2	36	2-0006	Nipple, Hex 3/8" x 1.45"	1
7	90-10053	Bolt Hex G5 5/16"-24 x 1-3/4"	4	37	2-1024	Elbow ST 90 1/2" 1000WP BR	1
	90-4008	Wshr LK 5/16"	4	38	2-00270	Elbow 90 3/8" MNPT 3900BR	1
8	95-07103208	Box, Tool, Orange	1	39	2-00272	Elbow, Street 1/4" x 3/8" Steel	1
9	2-01015	Bumper Rubber 1" w/Bolt	2	40	2-2113	Coupler 3/8" Female Screw Type 9640	1
10	90-19713	Bolt Hex, 5/16" - 18 x 3/4" FLG	4	41	2-1038	Tee 3/8" Branch, Male	1
11	90-19709	Bolt Hex, 1/4"-20 x 1-1/2" FLG	4	42	2-1007	Nipple Hex 1/2" x 1.5" 3900WP BR	1
12	90-19714	Bolt Hex 5/16"-18 x 1-1/2" FL	4	43	2-30082	Pump Protector, 1/2" PTP	1
13	11-1004	Decal w/Vibra Pulse	1	44	5-3210	Valve Unldr Yellow	1
14	90-2001	Nut Hex ESNA 5/16"-18 PL	4	45	2-30001	Valve Ball Steel 1/4"	1
15	11-202000	Decal, J-2000	1	46	2-30002	Valve Ball Steel 3/8"	1
16	11-0113	Decal, JSG Warn Danger	1	47	2-1032	Tee 1/2" NPT 1000WP BR	1
17	5-0104	Engine Gas, 5.5 HP Honda	1	48	4-02037822	Hose 3/8" x 22.5", 1 Wire, 3/8" MPT x 3/8" MPTS	1
	11-1005	▲ Tag, Caution No Oil/Engine	1	49	26-FP-1	Foot Pedal (Optional)	1
18	4-05021	Gauge Panel Mount Glycerin	1	50	4-027510281	Swivel 3/8" x 3/8"	1
19	90-2000	Nut Hex ESNA 1/4"-20 PL	4	51	90-2001	Nut, ESNA, 5/16"	4
20	4-02011211	Hose 1/4" x 11", 1/4" MS x 3/8"M	1	52	2-2115	Plug, 3/8" x 22mm	1
21	4-0303	Wheel Pneu-10 x 4.0 5/8" HUB2		53	97-504	▲ Lit Form Warranty Registration	1
22	4-02110000	Hose 1/2"	15.5"		8.914-324.0 / 97-6117	▲ Manual, General Jet Set	1
23	2-01209	CVR Handle General Jet	1	54	4-02110000	Hose, 1/2"	9.25"
24	2-01210	CVR Handle VP-2000	1			▲ Not Shown	
25	2-0031	Elbow ST 90 3/8" 4500WP PL	1				
26	2-1022	Elbow ST 90 1/4" 1000WP BR	1				
27	2-1923	Strainer 1/2", Inline	1				
28	2-008801	Nipple Hose 3/8" NPT x 1/2"H PL	2				

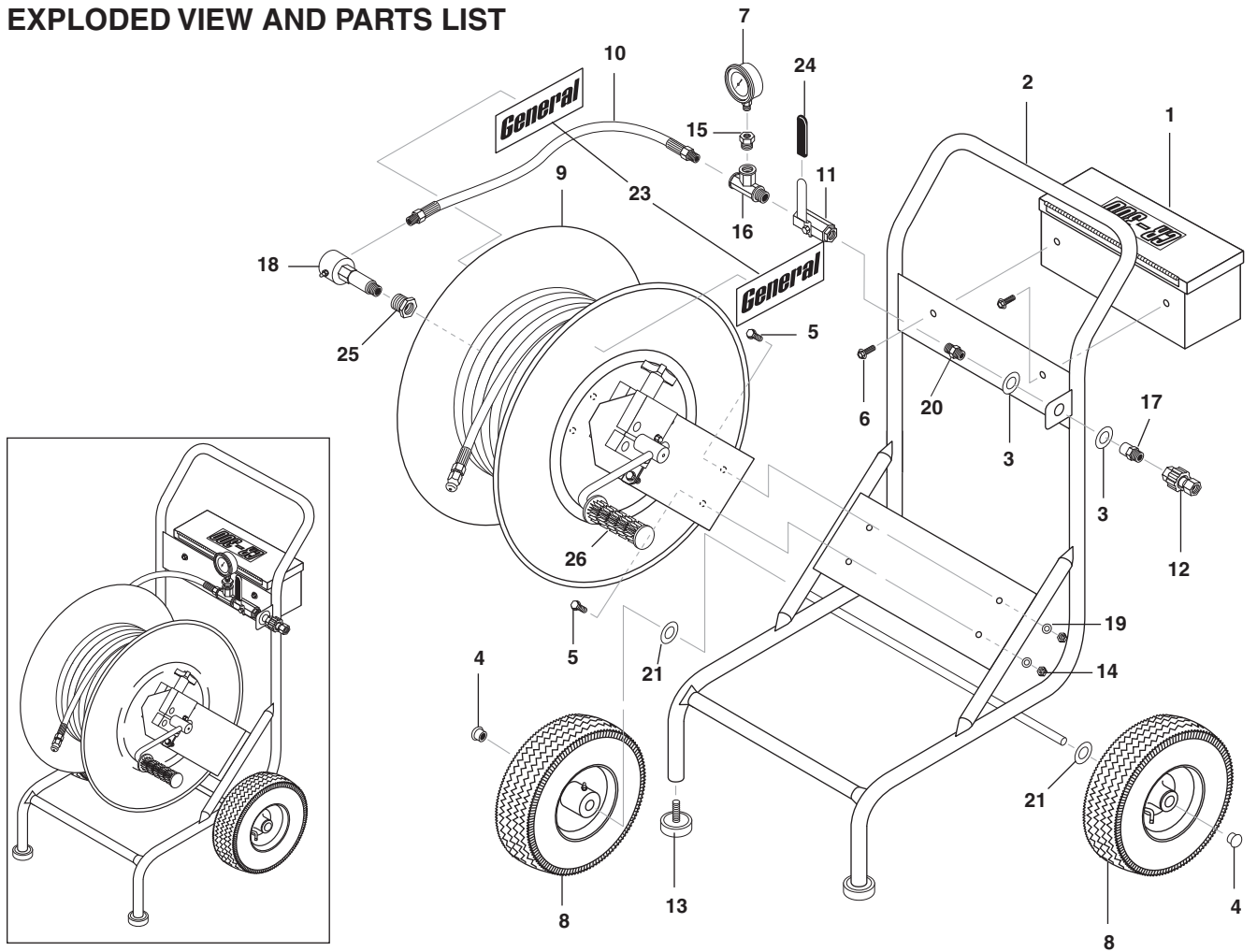
**OPTIONAL HR-200W HANDY-REEL WITH FOOT PEDAL
EXPLODED VIEW & PARTS LIST**



ITEM	PART NO.	DESCRIPTION	QTY
1	95-07103106	Bracket, Hose Reel Mount	1
2	11-20200	Label, HR-200	1
3	2-2116	Nipple, 1/4" x M22, Twist	2
4	11-1019	Label, Inlet	1
5	2-01022	Foot, Rubber	4
6	2-2113	Coupler, 3/8" Female Screw Type 7640	2
7	4-02037817	Hose, 3/8" x 17.5", 1 Wire, 3/8" MNPT(SLD) x 3/8" MNPT(SWL)	1
8	4-02751016	Hose Reel, 13" General Wire	1
9	4-027510281	Swivel, 3/8" x 3/8"	1
10	90-19713	Screw, 5/16" x 3/4" Whiz Loc	7
11	90-4001	Washer, 5/16"	13
12	90-2001	Nut, 5/16" ESNA	12
13	95-07103105	Hose Reel Guard	1

ITEM	PART NO.	DESCRIPTION	QTY
14	2-1022	Elbow, 1/4" Street	1
15	83-21008	Valve Assy, Complete	1
16	95-07103180	Cover, Welded Assy. Foot Valve	1
17	95-07103181	Plate, Fott Valve Assy	1
18	90-3096	Washer, 1/2" Flat	3
19	90-10124	Bolt, 5/16" x 6-1/2" HH, NC	1
20	2-01101	Grip, 1" Handle, Waffle	1
21	11-1010	Label, Discharge	1

CR-300 EXPLODED VIEW AND PARTS LIST



ITEM	PART NO.	DESCRIPTION	QTY
1	95-07103208	Assy, Tool Box, Orange	1
2	95-07103130	Assy, Frame, General CR-300	1
3	90-400712	Washer, 3/4" x 1-1/2", .102 THK Brass	2
4	90-200422	Cap, 5/8" Axle, BLK	2
5	90-19713	Screw, 5/16" x 3/4" Whiz	4
6	90-19711	Screw, 1/4" x 1/2" HH NC, Whiz Loc	2
	90-2000	▲ Nut, 1/4" ESNA	2
	90-4000	▲ Washer, 1/4" Flat, SAE	2
7	4-0502	Gauge, Pressure 0-5000 PSI	2
8	4-0303	Wheel & Tire Assy, 4" Tubeless Silver Rim, 5/8" Hub	2
9	4-02751015	Hose Reel, 18", General Wire	1
10	4-02047823	Hose, 3/8" x 23", 2 Wire 3/8" SMNPT x 3/8" SWMNPT	1
11	2-30002	Valve, 3/8" Ball, Steel	1

ITEM	PART NO.	DESCRIPTION	QTY
12	2-2113	Coupler, 3/8" Female Screw-Type 7640	1
13	2-01019	Foot, Rubber (Crutch)	2
14	90-2001	Nut, 5/16" ESNA	4
15	2-00682	Bushing, 3/8" x 1/4" Steel	1
16	2-0045	Tee, 3/8" Street	1
17	2-2114	Plug, 3/8" FX M22, Twist Coupler	1
18	4-027510282	Swivel, 1/2" x 3/8"	1
19	90-4001	Washer, 5/16" Flat	4
20	2-0006	Nipple, 3/8" Hex Steel	1
21	90-4005	Washer, 5/8" Flat, SAE	2
22	11-1009	Label, CR-300	1
23	11-0105	Label, General Logo	2
24	2-01209	Cover, Handle, General, Jet LG1	1
25	2-00681	Bushing, 1/2" x 3/8", Steel	1
26	2-01101	Grip, 1", Handle, Waffle	1

▲ Not Shown

PUMP MODEL TX1510G8
JET SET MODEL J-2900, PART #5-23120

