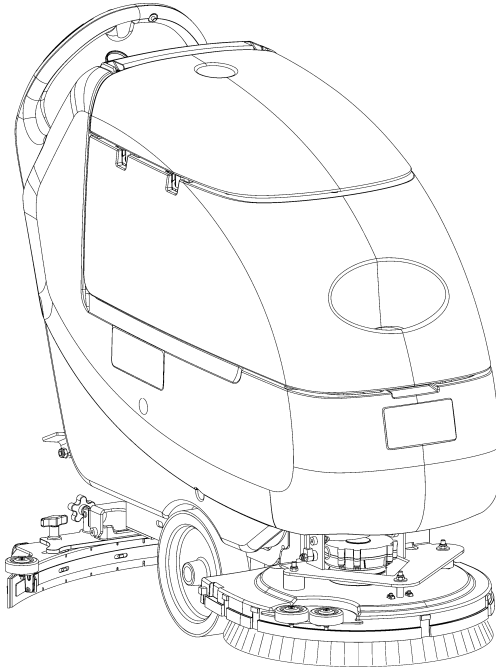

Clarke®

FOCUS® II



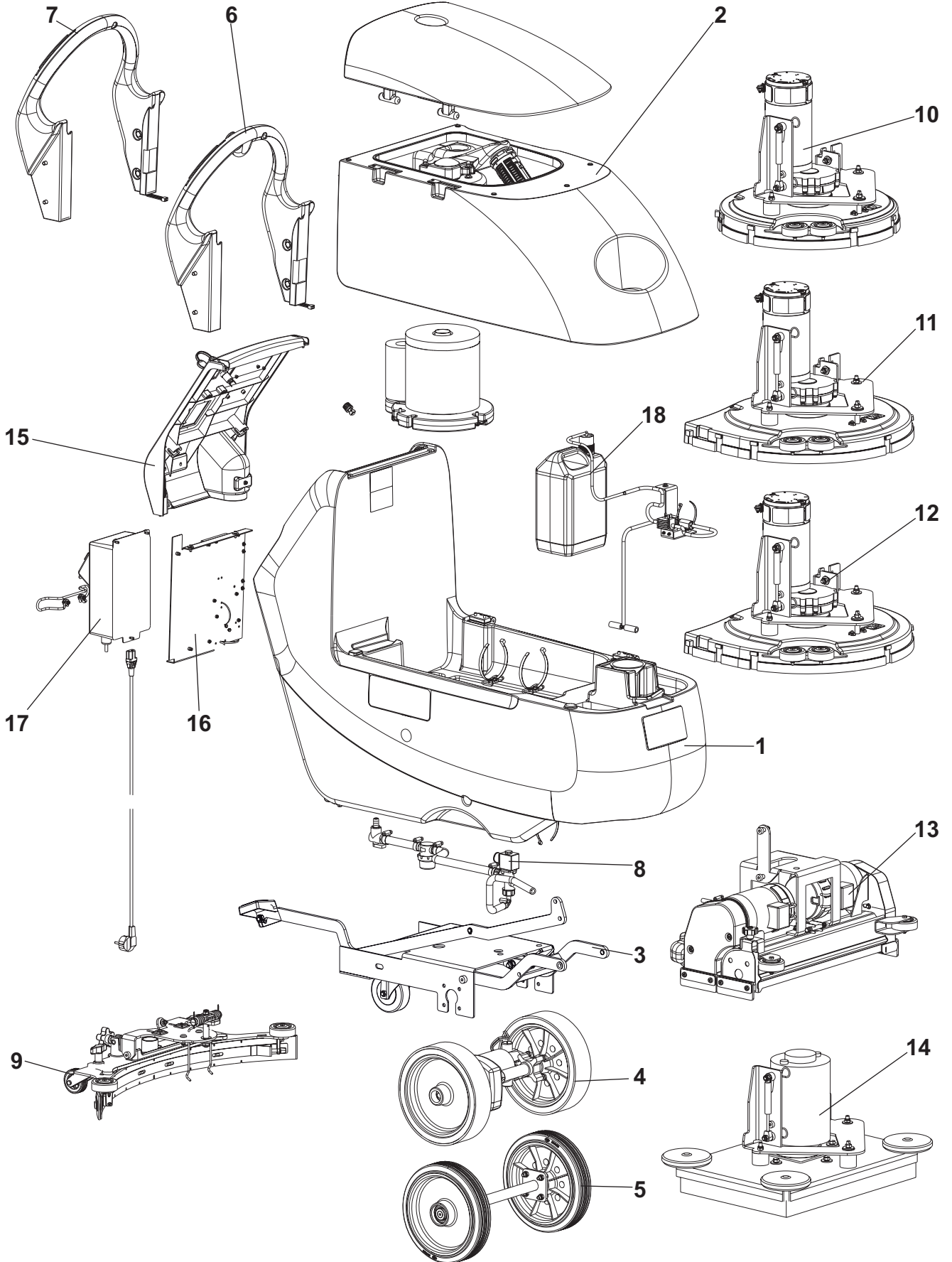
Parts List

[] = Not shown

* = optional

= Modified item No. or New item No.

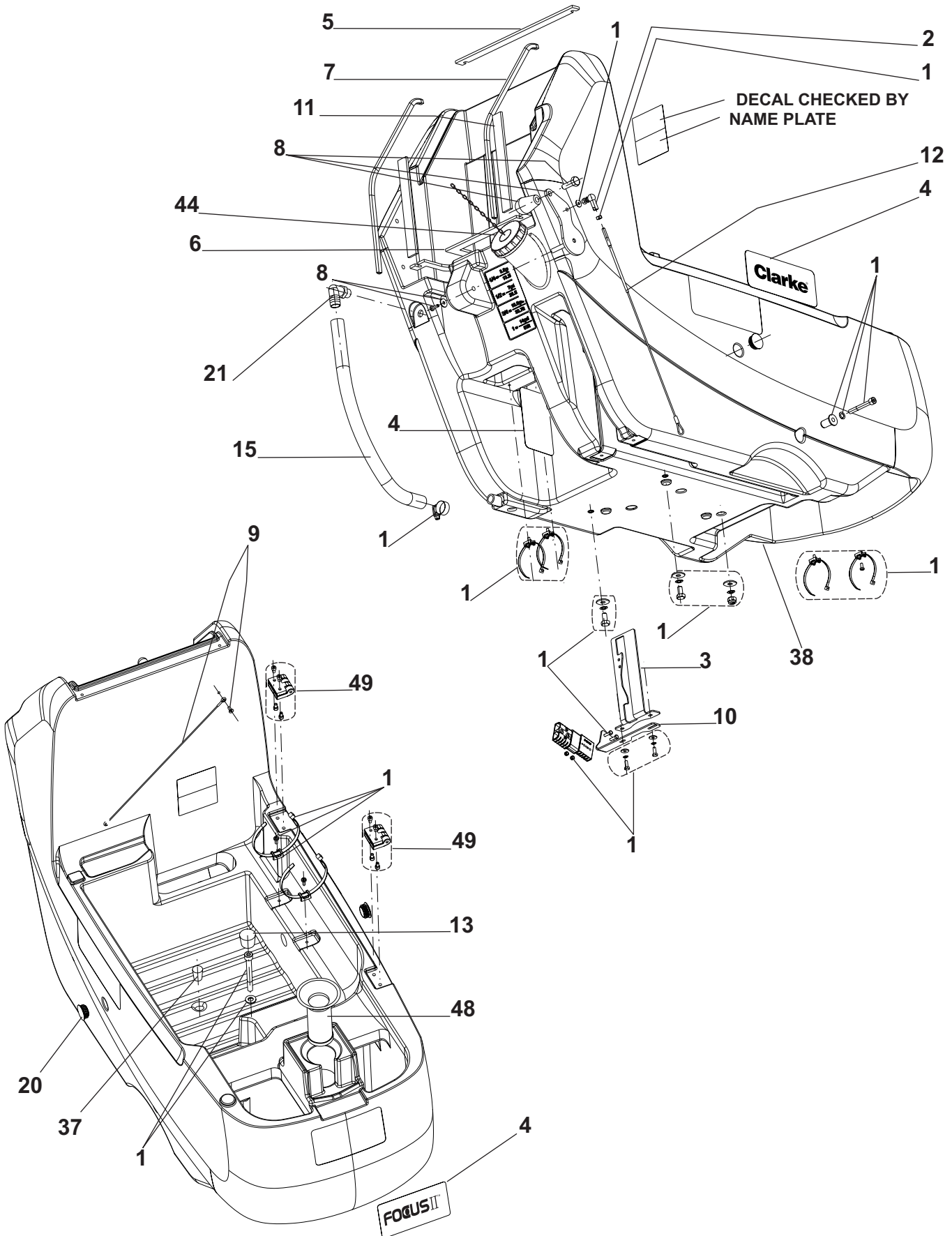
General View



General View

Ref.	Part No.	Description	Qty
1		SOLUTION TANK	1
2		RECOVERY TANK	1
3		CHASSIS SYSTEM	1
4		WHEELS SYSTEM DRIVE	1
5		WHEELS SYSTEM NO DRIVE	1
6		HANDLE ASSEMBLY DRIVE	1
7		HANDLE ASSEMBLY NO DRIVE	1
8		SOLUTION SYSTEM	1
9		SQUEEGEE SYSTEM	1
10		BRUSH SYSTEM 17"	1
11		BRUSH SYSTEM 20" NO DRIVE	1
12		BRUSH SYSTEM 20" DRIVE	1
13		CYLINDRICAL BRUSHES SYSTEM	1
14		BOOST® HEAD ASSEMBLY 20"	1
15		CONTROL PANEL SYSTEM	1
16		ELECTRICAL COMPONENTS	1
17		BATTERY CHARGER ASSEMBLY	1
18*		CHEMICAL MIXING SYSTEM	1

Solution Tank - 04/10

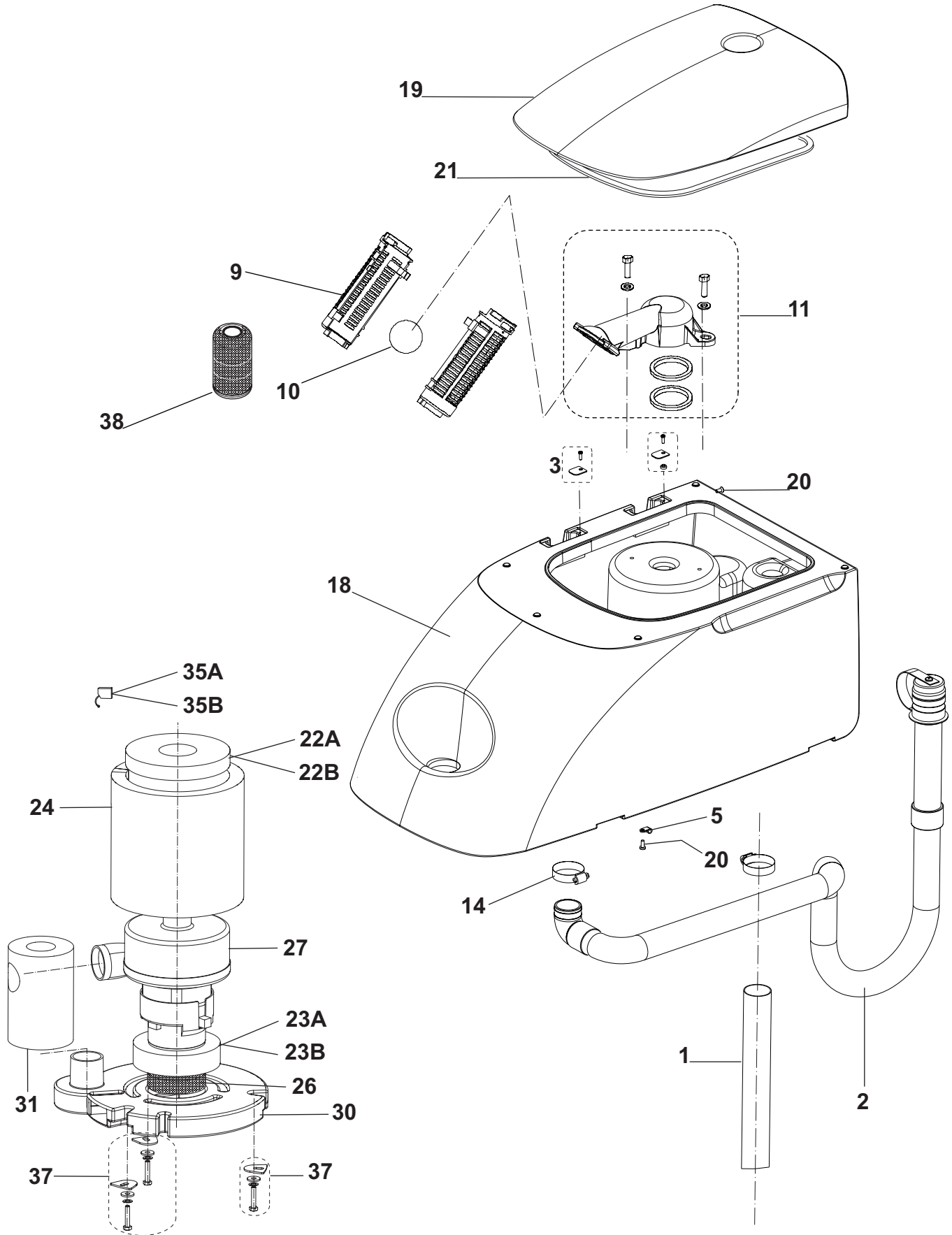


Solution Tank - 11/11

Ref.	Part No.	Description	Qty
1	9098265000	SOLUTION TANK HARDWARE KIT	1
2	145 8479 000	JOINT BALL M6	1
3	909 6493 000	SUPPORT, PEDAL	1
4	9098472000	KIT DECAL FOCUS II	1
5	909 6596 000	GASKET	1
6	909 6597 000	GASKET	1
7	909 6892 000	GASKET L=960	2
8	9097630000	HARDWARE SQUEEGEE LEVER FIXING KIT	1
9	909 6874 000	CABLE TANK KIT	1
10	909 6649 000	BRACKET CONNECTOR SUPPORT	1
11	9098033000	GASKET HANDLE BAR	1
12#	9098675000	SQUEEGEE LIFTING CABLE KIT - TSB IT 2010-053	1
	9098672000	INSTALLATION INSTRUCTIONS	1
13	909 6673 000	CAP BLACK BP6	1
15	909 6521 000	FRESH WATER HOSE	1
19	909 6764 000	DECAL CLARKE	2
20	L08812457	CAP,TANK LOCKING	2
21#	9099374000	FITTING PIPE	1
37	909 6236 000	CAP BLACK	1
38	9097012000	TANK SOLUTION 55 LT BLUE	1
44	909 6554 000	CAP WITH CHAIN	1
48	9097192000	FILTER WATER INLET	1
49	9098329000	HINGES KIT	1

NOTE: # indicates a change has been made since the last publication of this manual

Recovery Tank - 10/09



Recovery Tank - 11/11

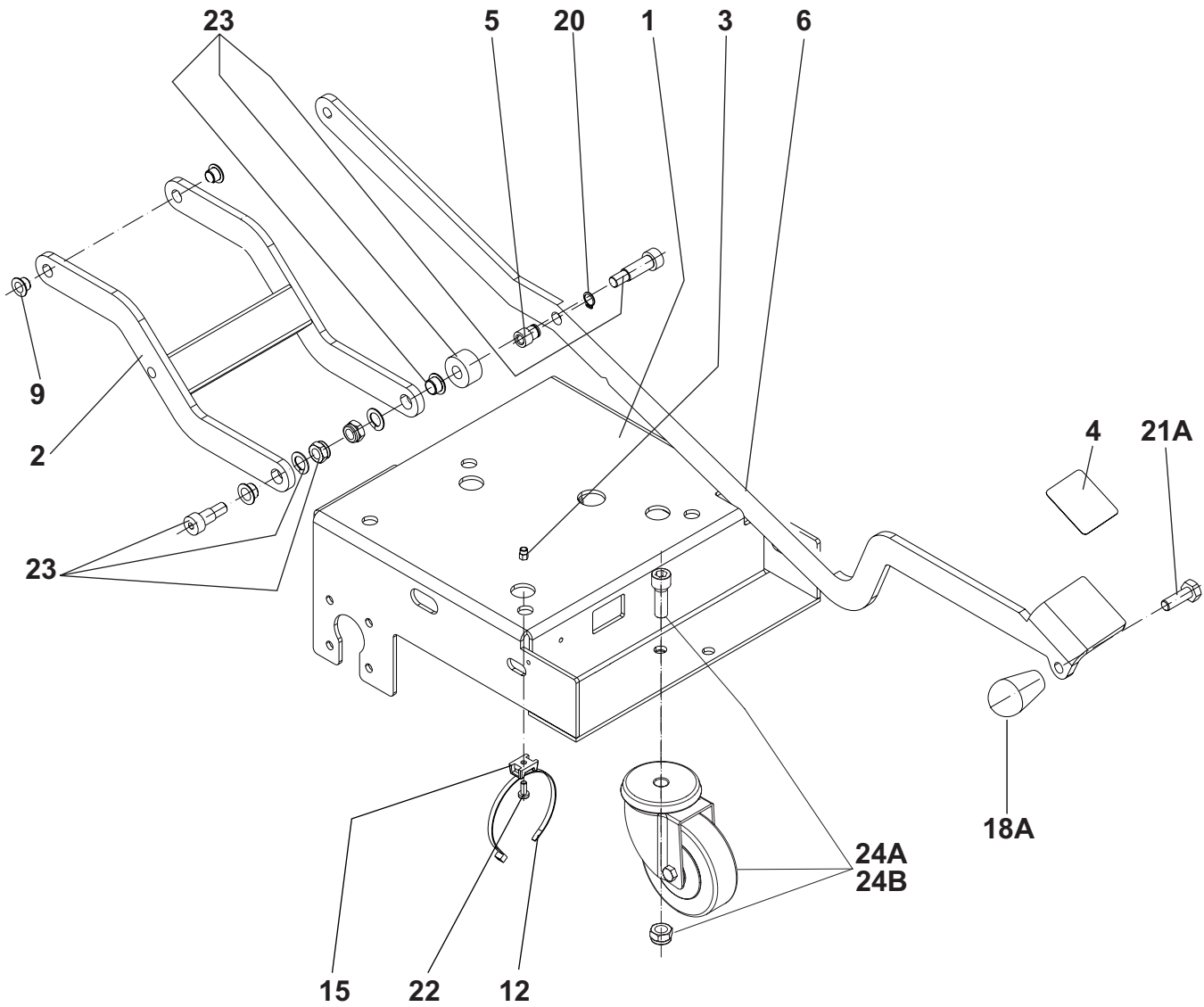
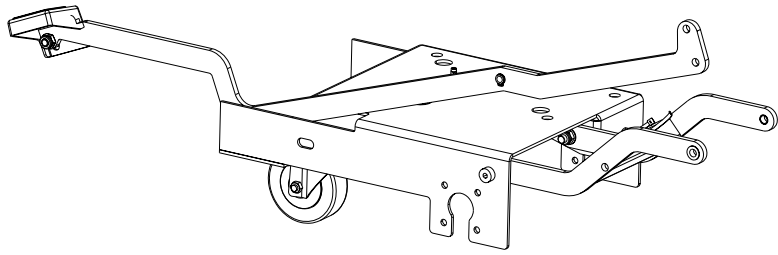
Ref.	Part No.	Description	Qty
1	9097069000	HOSE SQUEEGEE VACUUM BLAC	1
2#	9099166000	HOSE DRAIN BLACK	1
3	9097654000	TANK FIXING KIT	1
5	L08239900	CLAMP	1
9	L08812259	CAGE FLOAT COMPLETE	2
10	L08812373	FLOATING BALL	1
11	9097730000	CAGE FLOAT HOLDER KIT	1
	9097731000	INSTALLATION INSTRUCTIONS	1
14	145 0543 000	CLAMP	2
18	9097013000	RECOVERY TANK 55L	1
19	9097014000	TANK COVER 55L	1
20	33005124	SCREW M5X12 UNI7688	2
21	909 6901 000	COVER TANK GASKET	1
22A#	909 6489 000	GASKET SUCTION MOTOR	1
22B	9098057000	GASKET SUCTION MOTOR	1
23A	909 6490 000	GASKET SUCTION MOTOR	1
23B	9098056000	GASKET SUCTION MOTOR	1
24	909 6491 000	ACOUSTIC INSULATION PANEL	1
26	909 6672 000	FILTER	1
27#	9099401000	MOTOR VACUUM KIT	1
30	909 6051 000	VACUUM MOTOR COVER	1
31	909 6442 000	ACOUSTIC INSULATION PIPE	1
35A	909 5371 000	CARBON BRUSH (AMETEK)	2
35B	9098231000	CARBON BRUSH KIT (VIPER)	1
37	909 6877 000	VACUUM MOTOR HARDWARE KIT	1
38*	909 5065 000	FILTER ANTIFOAMING	1
[39]	909 6876 000	HARDWARE OLD TYPE CAGE SUP.FIXING KIT	1
[40]*#	9098854000	ELBOW 90. SUCT. HOSE KIT BLACK	1

A : FOR MOTOR 9099401000 (AMETEK)

B : FOR MOTOR 9098062000 (VIPER)

NOTE: # indicates a change has been made since the last publication of this manual

Chassis System - 10/09



Chassis System - 11/11

Ref.	Part No.	Description	Qty
1	909 6481 000	CHASSIS 55 LT	1
2	909 6486 000	LEVER, BRUSH DECK LIFTING	1
3	145 6132 000	INSERT M5	1
4	909 6539 000	MAT,ANTISKID	1
5	909 6540 000	BUSH FLANGED	1
6	909 6487 000	PEDAL BRUSH LIFTING	1
9	909 6594 000	BUSH FLANGED	3
12	145 0524 000	CLAMP	1
15	909 6595 000	HOLDER,FLAT TIE	1
18A	909 6621 000	KNOB	1
20	33006051	RING D 12 UNI7435	1
21A	33004010	SCREW HEX M10X30 UNI5739	1
22	909 6337 000	SCREW M5X12 UNI7687	1
23	909 6878 000	HARDWARE CHASSIS FIXING KIT	1
24A	909 6879 000	WHEEL CASTOR SS KIT	1
24B	909 6880 000	CASTOR REAR KIT NON TRAVERSE	1
24*#	9098947000	WHEELS CASTOR SS	1

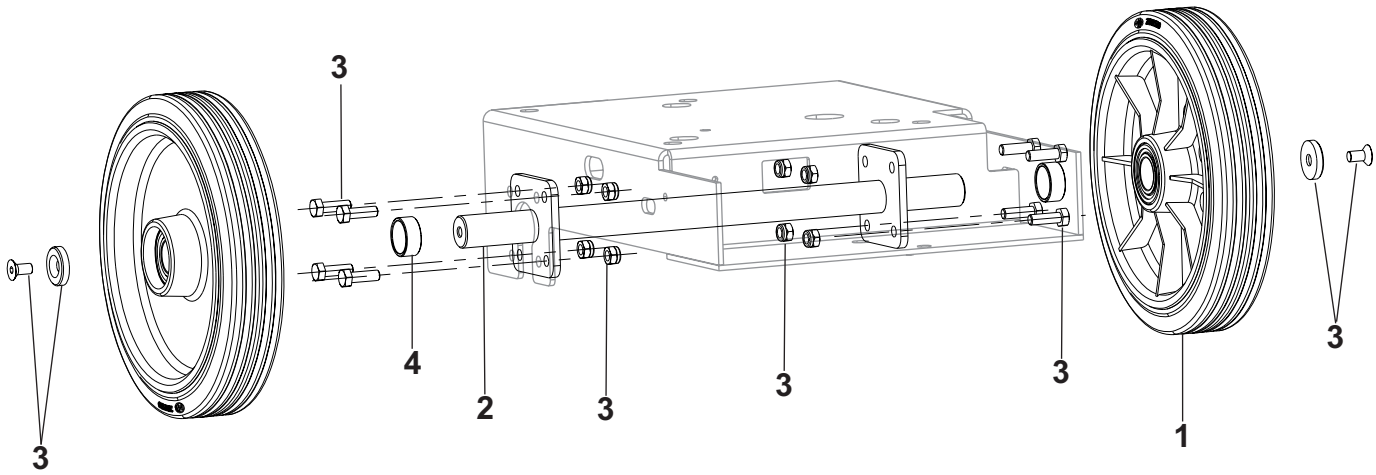
A : ONLY FOR MACHINE WITH DRIVE

B : ONLY FOR MACHINE WITHOUT DRIVE

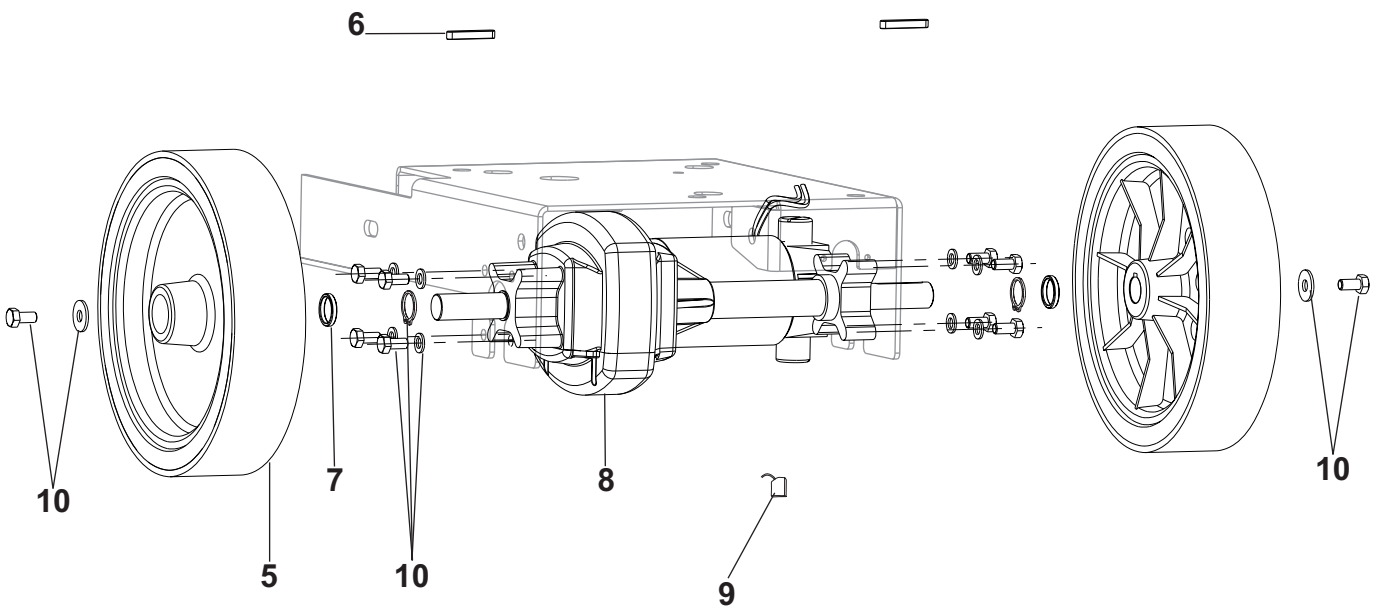
NOTE: # indicates a change has been made since the last publication of this manual

Wheel Systems - 10/09

MACHINE WITHOUT DRIVE



MACHINE WITH DRIVE



Wheel Systems - 10/09

Ref.	Part No.	Description	Qty
		MACHINE WITHOUT DRIVE	
1	9097085000	WHEEL FRONT D.250 BLUE	2
2	909 6501 000	SHAFT, WHEELS	1
3	9098299000	HARDWARE WHEELS KIT	1
4	909 6502 000	SPACER 25X30X12.6	2

		MACHINE WITH DRIVE	
5	9097087000	WHEEL FRONT D.250 DRIVE BLUE	2
5*	9097026000	WHEEL FRONT D.250 DRIVE 65SH	2
6	146 0769 000	KEY	2
7	909 6506 000	SPACER 20.5X25X5	2
8	909 6548 000	MOTODIFFERENTIAL	1
9	145 5124 000	CARBON BRUSH	2
10	9098298000	HARDWARE DRIVE WHEELS KIT	1

NOTE: # indicates a change has been made since the last publication of this manual

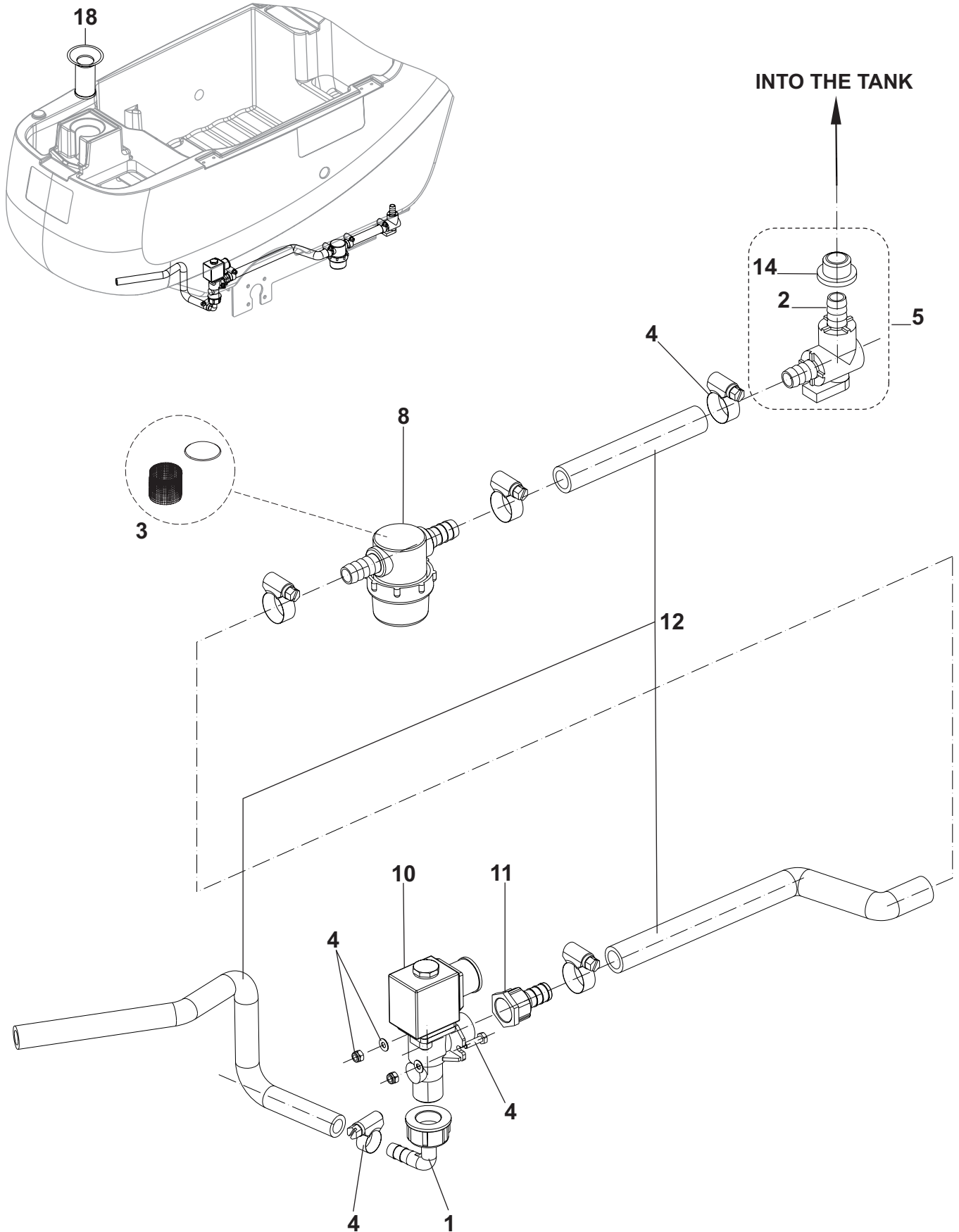
Handle Assemblies - 11/11

Ref.	Part No.	Description	Qty
		MACHINE WITHOUT DRIVE	
1	9097021000	HANDLE BAR	1
2	11131A	BUTTON BRUSH KIT	2
3	9097036000	HARNES HANDLE BAR	1
9	9098330000	HARDWARE HANDLE ASSEMBLY KIT	1

		MACHINE WITH DRIVE	
1	9097018000	HANDLE BAR DRIVE VERSION	1
2#	9097153000	SWITCH ASSY REVERSE	1
3	9097031000	PLATE POTENTIOMETER	1
4	11131A	BUTTON BRUSH KIT	2
5	9098484000	KNOB POTENTIOMETER KIT	1
6	9097071000	DECAL TRACTION CONTROL	1
7	9097035000	HARNES HANDLE BAR	1
8	9097043000	POTENTIOMETER	1
9	9098330000	HARDWARE HANDLE ASSEMBLY KIT	1

NOTE: # indicates a change has been made since the last publication of this manual

Solution System - 10/09

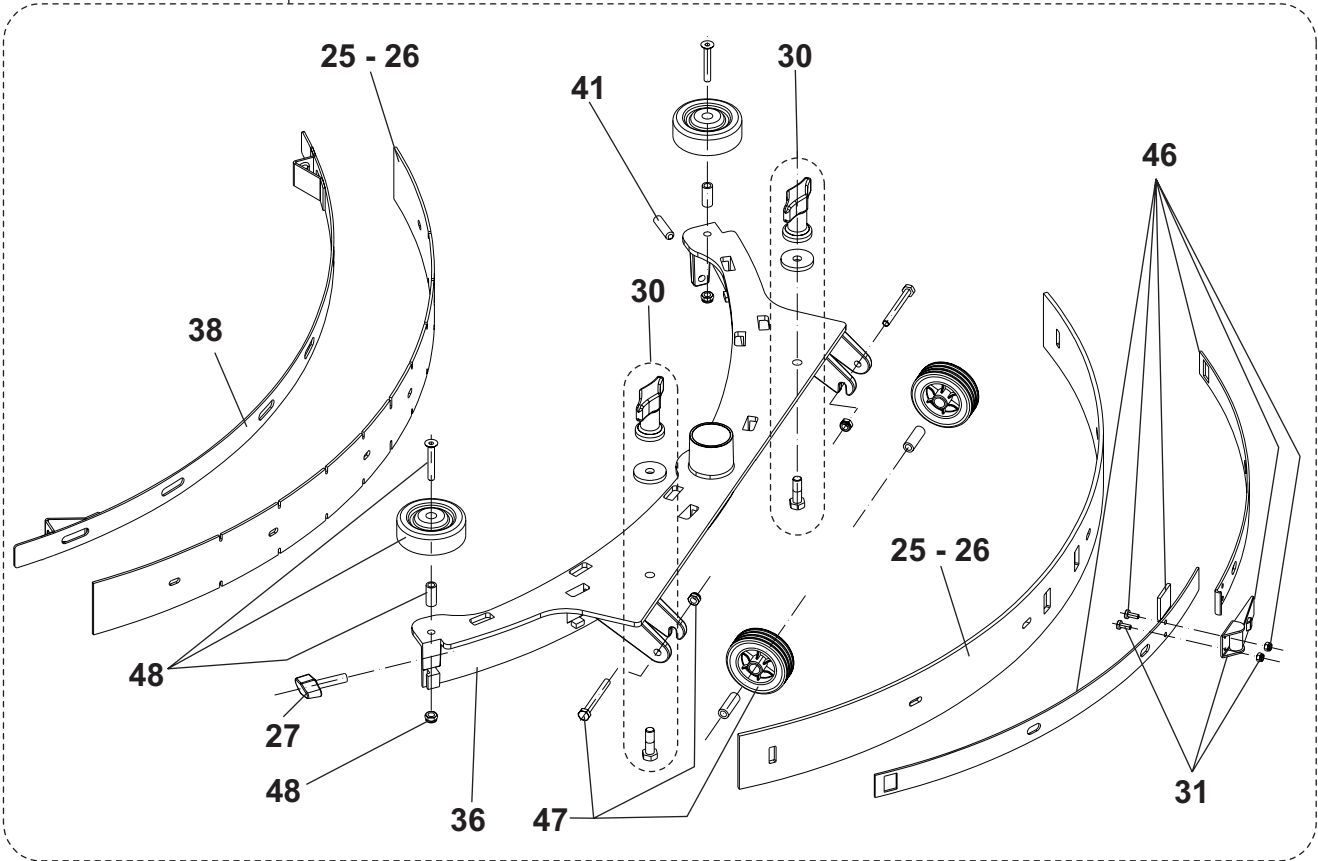
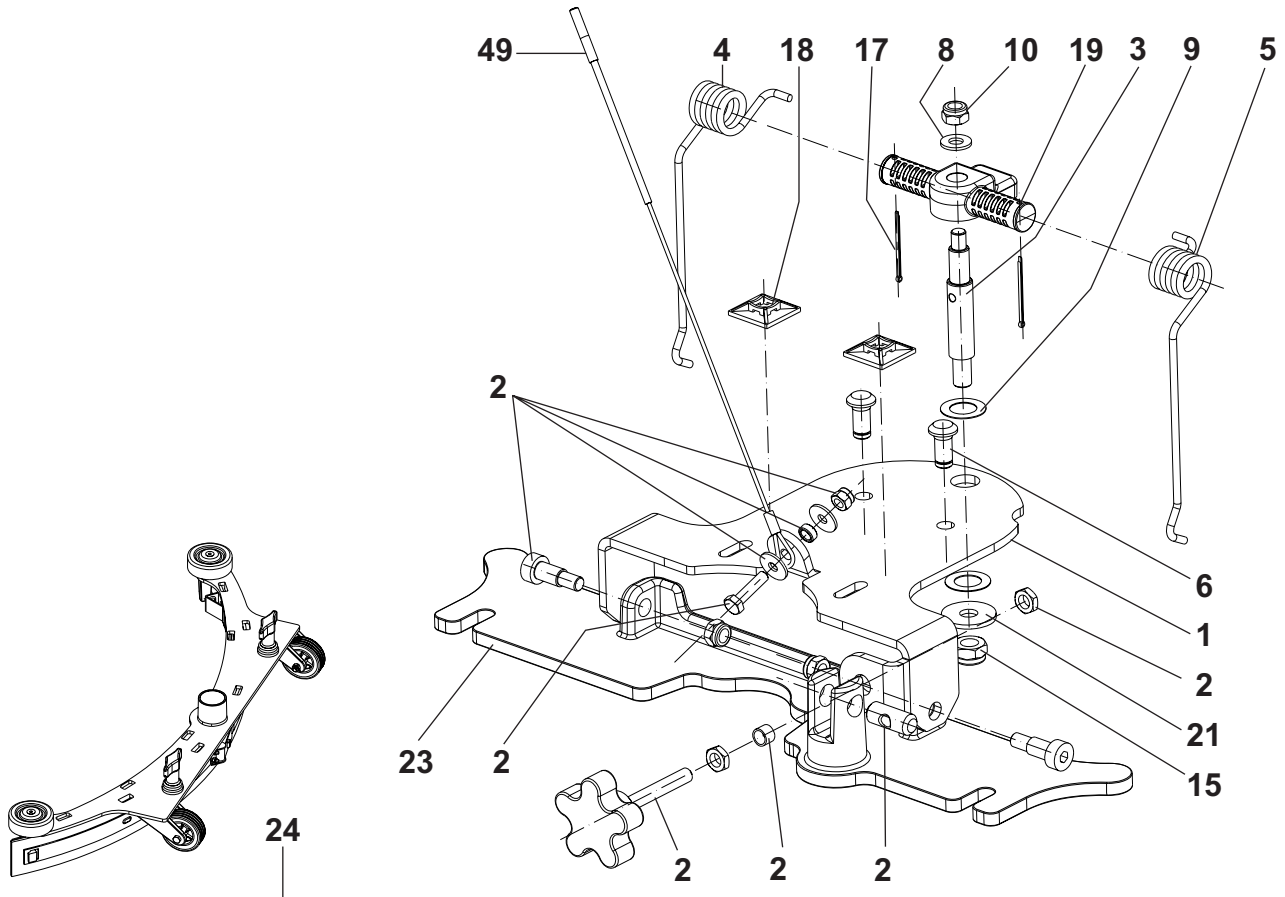


Solution System - 11/11

Ref.	Part No.	Description	Qty
1#	9098777000	HOLDER RUBBER 90 GRAD.KIT	1
2	9097028000	VALVE ELBOW	1
3	L08603893	KIT NET FILTER WITH GASKET	1
4	9098494000	HARDWARE SOLUTION SYSTEM KIT	1
5	9097626000	VALVE ELBOW KIT	1
8	9097154000	FILTER COMPLETE KIT (3)	1
10	909 6555 000	SOLENOID VALVE 24V	1
11	9097115000	PIPE FITTING D.13	1
12	9097171000	PIPES SOLENOID VALVE KIT	1
14	909 5286 000	GASKET	1
18	9097192000	FILTER WATER INLET	1

NOTE: # indicates a change has been made since the last publication of this manual

Squeegee System - 04/10

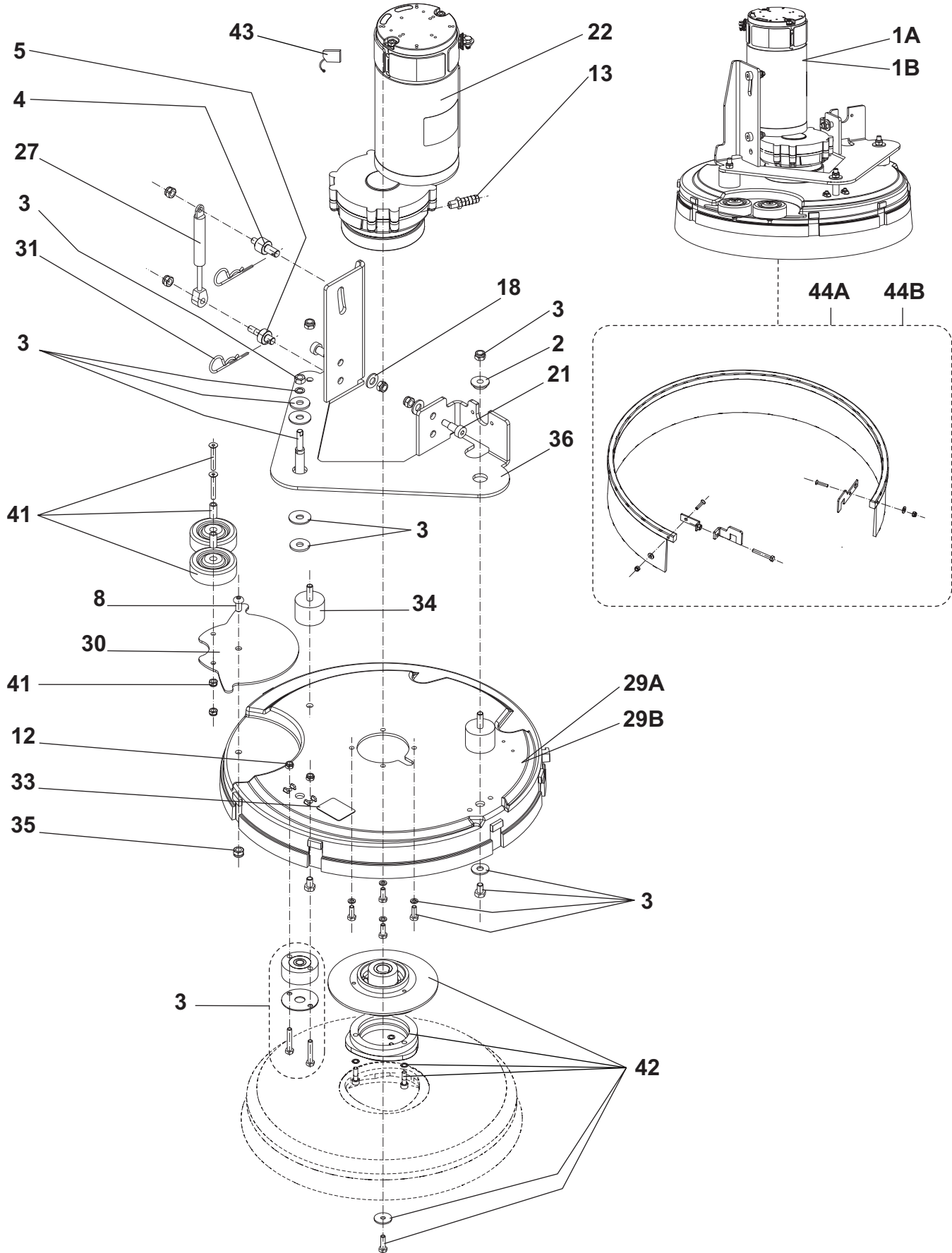


Squeegee System - 04/10

Ref.	Part No.	Description	Qty
1	909 6494 000	BRACKET SQUEEGEE SUP.	1
2	909 6885 000	SQUEEGEE SUPPORT HARDWARE KIT	1
3	909 6497 000	PIN SQUEEGEE	1
4	909 6537 000	SPRING SQUEEGEE PUSHING	1
5	909 6538 000	SPRING,SQUEEGEE PUSHING	1
6	909 6543 000	PIN SQUEEGEE FIXING	2
8	33005915	WASHER M8 UNI6592	1
9	L08238300	WASHER 15X25 UNI6592	2
10	33005607	NUT SELF L. M8 UNI7474	3
15	33005608	NUT SELF L. M10 UNI7474	1
17	33005758	PIN SPLIT 2x32 UNI1336	2
18	909 6635 000	HOLDER,FLAT TIE	2
19	909 6052 000	SUPPORT SQUEEGEE SPRING	1
21	L08604251	WASHER 10X30 UNI6592	1
23	909 6045 000	SUPPORT SQUEEGEE	1
24	9097195000	SQUEEGEE CPL ALU KIT 30" WITH POLYURETHAN BLADES	1
25	909 6858 000	SQUEEGEE BLADES POLYURET. 30" KIT	1
26*	909 6860 000	SQUEEGEE BLADES NEOPRENE/6MM KIT 30"	1
27	909 6551 000	KNOB M8X30 SS	1
30	9097637000	SQUEEGEE FIXING KIT	1
31	909 6394 000	LATCH SQUEEGEE KIT	1
36	909 6044 000	WELDMENT SQUEEGEE	1
38	909 6055 000	STRAP SQUEEGEE FRONT	1
41	909 6600 000	SCREW GRUB M8X30 UNI5929	1
46	909 6882 000	HARDWARE SQ.BLADE FIX.KIT	1
47	909 6883 000	WHEEL SQUEEGEE KIT	1
48	909 6884 000	ROLLER BUMPER SQ.KIT	1
49	909 6534 000	CABLE, SQUEEGEE LIFTING	1

NOTE: # indicates a change has been made since the last publication of this manual

Brush System MACHINE WITH DRIVE - 10/09



Brush System - 11/11

Ref.	Part No.	Description	Qty
1A	9097150000	BRUSH DECK 450MM/17" KIT WITH SPLASH GUARD	1
1B	9097149000	BRUSH DECK 530MM/20" KIT WITH SPLASH GUARD	1
2	909 6513 000	BUSH FLANGED	1
3	9098492000	BRUSH SYSTEM HARDWARE KIT	1
4	909 6515 000	PIN UPPER	1
5	909 6516 000	PIN LOWER	1
8	32400530	SCREW M8X16 ISO7380	1
13	L08601624	HOLDER RUBBER 1/4 D.10	1
21	909 6495 000	SCREW SHOULDER M10X16	1
22	9098308000	REDUCTIONGEARMOTOR 450W 24V	1
27	909 5637 000	SPRING GAS 180 N	1
29A	9097079000	BRUSH DECK 450MM/17" BLACK	1
29B	9097078000	BRUSH DECK 530MM/20" BLACK	1
30	9097081000	PLATE WHEELS SUPPORT	1
31	145 8564 000	SPLIT PIN 3	2
33	9098472000	KIT DECAL FOCUS II	1
34	9097184000	VIBRATION DAMPING M8	2
35	145 0452 000	NUT HEX SELFLOCK M8 SS	1
36	909 6485 000	PLATE BRUSH DECK HOLDER	1
41	909 6355 000	BUMPER ROLLER KIT	1
42	9097093000	HOLDER POLYGONAL KIT	1
43#	909 5380 000	CARBON BRUSH KIT FOR 909 6546 000 (LEROY SOMER)	1
43#	9098376000	CARBON BRUSH KIT FOR 9098308000 (AMER)	1
44	909 6737 000	SPLASH GUARD KIT 450MM/17"	1
44A	909 6736 000	SPLASH GUARD KIT 530MM/20"	1
	909 6745 000	INSTALLATION INSTRUCTIONS FOR SPLASH GUARD KIT	1

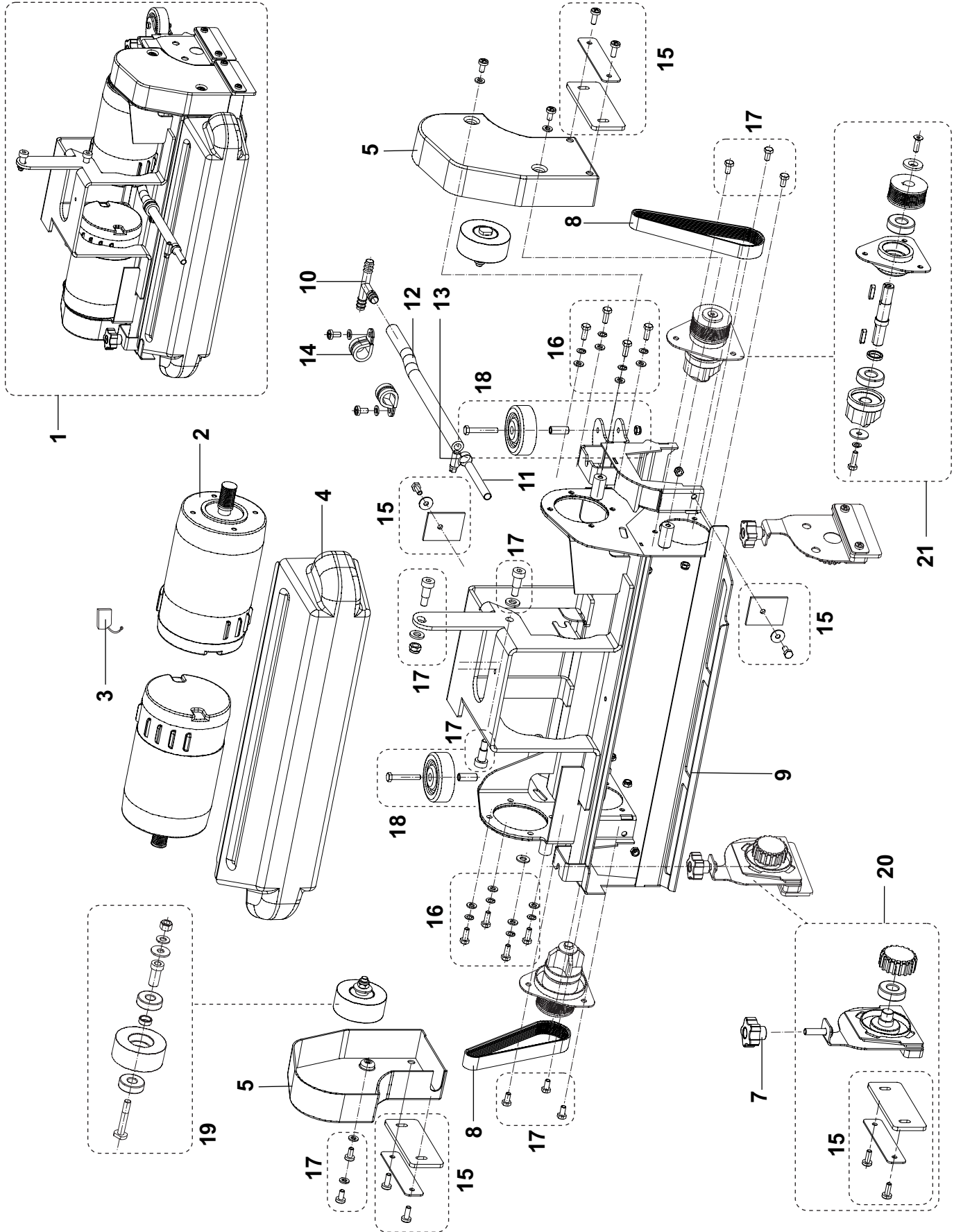
NOTE: # indicates a change has been made since the last publication of this manual - Ref. 43 Udated text

Brush System - 11/11

Ref.	Part No.	Description	Qty
3	9098492000	BRUSH SYSTEM HARDWARE KIT	1
4	909 6515 000	PIN UPPER	1
5	909 6516 000	PIN LOWER	1
8	32400530	SCREW M8X16 ISO7380	1
13	L08601624	HOLDER RUBBER 1/4 D.10	1
18	33005843	WASHER M10 UNI1751B	2
21	909 6495 000	SCREW SHOULDER M10X16	2
22	9098308000	REDUCTIONGEARMOTOR 450W 24V	1
27	909 5637 000	SPRING GAS 180 N	1
29	9097078000	BRUSH DECK 530MM/20" BLACK	1
30	9097081000	PLATE WHEELS SUPPORT	1
31	145 8564 000	SPLIT PIN 3	2
32	9097089000	PIN BRUSH ADJUSTMENT	2
33	9098472000	KIT DECAL FOCUS II	1
34	9097184000	VIBRATION DAMPING M8	1
35	145 0452 000	NUT HEX SELFLOCK M8 SS	1
36	909 6485 000	PLATE BRUSH DECK HOLDER	1
41	909 6355 000	BUMPER ROLLER KIT	1
42	9097093000	HOLDER POLYGONAL KIT	1
43#	909 5380 000	CARBON BRUSH KIT FOR 909 6546 000 (LEROY SOMER)	1
43#	9098376000	CARBON BRUSH KIT FOR 9098308000 (AMER)	1
44	909 6736 000	SPLASH GUARD KIT 530MM/20"	1
	909 6745 000	INSTALLATION INSTRUCTIONS FOR SPLASH GUARD KIT	1

NOTE: # indicates a change has been made since the last publication of this manual - Ref. 43 Udated text

Cylindrical Brush System 20" MACHINE WITH DRIVE - 10/09

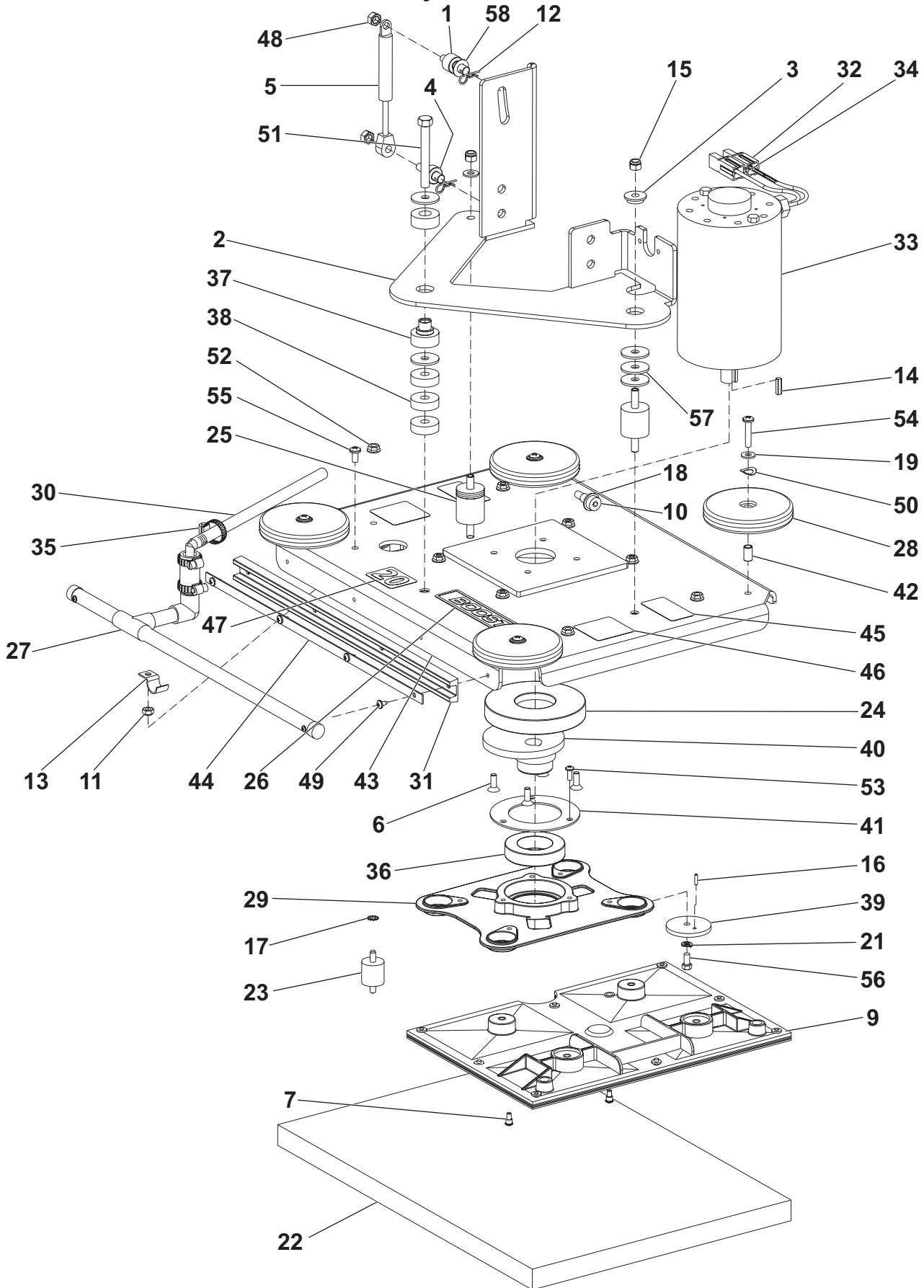


Cylindrical Brush System - 11/11

Ref.	Part No.	Description	Qty
1	909 6854 000	BRUSH DECK 510MM CYL. KIT	1
2	9096983000	REDUCTIONGEARMOT. 300W	2
3#	1464432000	CARBON BRUSH 4 PCS KIT	2
4	909 5805 000	CONTAINER DIRT	1
5	909 5818 000	CRANKCASE BELT PROTECTION LEFT	1
6	909 5817 000	CRANKCASE BELT PROTECTION RIGHT	1
7	146 1851 000	KNOB M8	2
8	909 5820 000	BELT POLY-V	2
9	909 6518 000	FRAME, CYLINDRICAL DECK	1
10	145 4366 000	PIPE HOLDER T Ø12	1
11	909 5772 000	HOSE COPPER	1
30	909 5870 000	HOSE D.10 L=190	1
14	145 8582 000	CLAMP	1
19	909 5516 000	CLAMP,HOSE D.18	2
15	9098489000	SPLASH GUARDS KIT	1
16	9098490000	HARDWARE BELT TENSIONER KIT	1
17	9098491000	HARDWARE CYLINDRICAL DECK KIT	1
18	9098488000	ROLLER BUMPERS KIT	1
19	9098485000	BELT TENSIONER ROLLER KIT	2
20	9098486000	SUPPORT CYLINDRICAL BRUSH KIT	2
21	9098487000	SUPPORT PULLEY CYL.BRUSH KIT	2
22	909 6620 000	HARNESS CYL.BRUSH DECK	1

NOTE: # indicates a change has been made since the last publication of this manual

BOOST® Head Assembly 20" - Machine with drive - 11/11

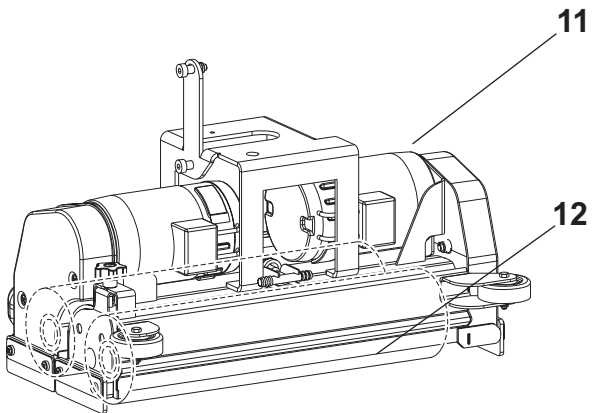
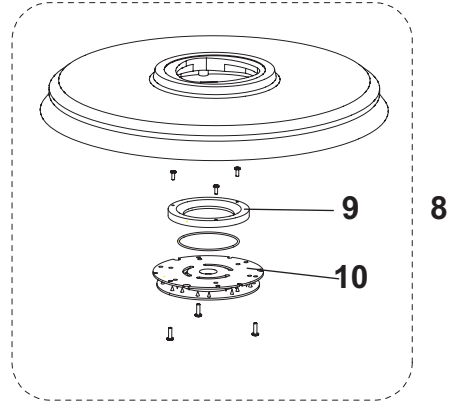
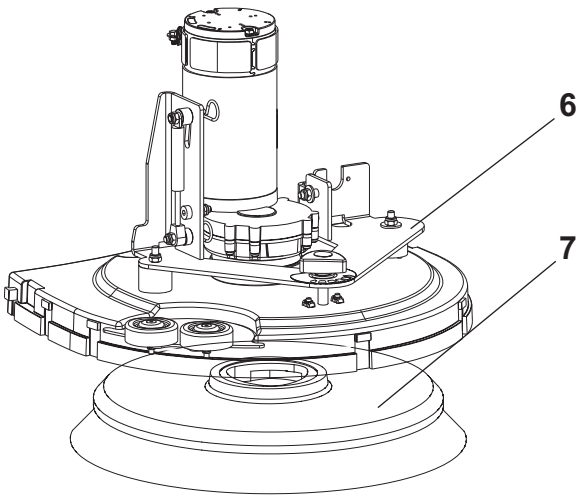
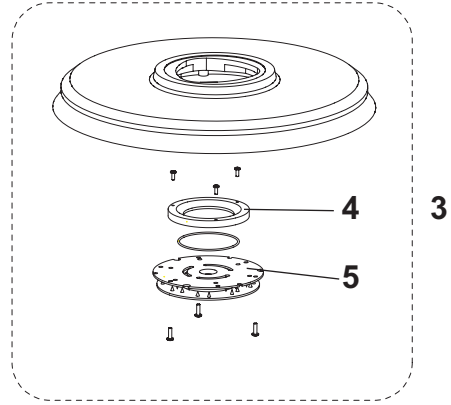
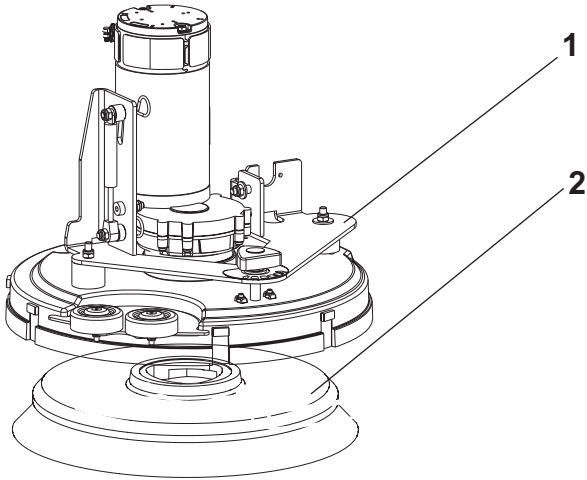


BOOST® Head Assembly 20" - Machine with drive - 11/11

Ref.	Part No.	Description	Qty
1	909 6515 000	PIN, UPPER	1
2	909 6485 000	PLATE BRUSH DECK	1
3	909 6513 000	BUSHING FLANGED	1
4	909 6516 000	PIN, LOWER	1
5	9097077000	SPRING, GAS 200 N	1
6	56001881	SCREW, FLT SOC 1/4-20 X .75	4
7	56381989	SHOULDER BOLT - BOOST	4
9	56380183	FLEX PLATE ASSY	2
10	909 6495 000	SHOULDER SCREW M10 X 16	1
11	81217A	NUT, 1/4-20 HEX ESNA	6
12	145 8564 000	PIN HANDLE, LOCK	2
13	782002	CLAMP, MANIFOLD	2
14	915082	KEY, 3/16 SQ. X 3/4"	1
15#	81211A	NUT, 5/16-18 HEX LOCK	2
16	925589	PIN, ROLL	1
17	980614	WASHER, 1/4" STARLOCK, EXTERNAL	8
18	980645	WASHER 1/4" STARLOCK, EXTERNAL	1
19	980646	WASHER, 1/4" FLAT	4
21	980657	WASHER, LOCK ¼	1
22	997020	BOOST® 20 RED PAD	1
23	56380190	ISOLATOR – 30 DURO 1/4-20	8
24	56380192	SHIELD BOOST BEARING	1
25#	56380272	ISOLATOR - 50 DURO 5/16 - 18	2
26#	56381702	BOOST LABEL	1
27	11175A	TUBE ASM., DRIP 20"	1
28#	30048A	GUIDE, WHEEL	4
29#	56381491	PLATE, DRIVER	1
30	30786A	HOSE, CLEAR VINYL	1
31	38741A	BUMPER 17"	1
32	40645A	CONNECTOR, HOUSING	2
33#	56390072	MOTOR, 24 VDC	1
*	11055A	BRUSH MOTOR REPLACEMENT KIT	1
34	41601A	CONNECTOR, CONTACT	2
35	50248A	CLAMP, HOSE	1
36	50736A	BEARING	1
37	54446A	UNIVERSAL MOUNT ASSEMBLY	1
38	54641A	SPACER, NYLON 1.25 OD	3
39	61724A	RETAINER, ECCENTRIC	1
40	61753A	ECCENTRIC	1
41	61775A	RETAINER, BEARING	1
42	61782A	SLEEVE, GUIDE WHEEL	4
43#	56381722	PLATE, MAIN, 20" BOOST®	1
44#	61911A	RETAINER, BUMPER 17"	1
45	71017A	LABEL MOVING PARTS	2
46	71192A	LABEL NO STEP	2
47	71458A	LABEL, 20	1
48	80198A	NUT, M8 X 1.25 NYLOCK S.S.	2
49	80296A	SCREW, #10-32 X 50 FH SS CR	4
50	80317A	WASHER, BOWED .455 ID X .740 O.D.	4
51	80379A	SCREW, 3/8-16 X 3" HHCS	1
52	81220A	NUT, SERRATED FLANGE	8
53	84237A	SCREW, 10-32 X .50 PH	3
54	85301A	SCREW, 1/4-20 X 1 1/4 CRPH	4
55	85395A	SCREW, 1/4-20 X 1/2" PH	2
56	85737A	SCREW, 1/4-20 X 1/2 HHCS	1
57	87054A	WASHER, FENDER .375	8
58	88639A	WASHER, NYLON .75 X .406X .32	1

NOTE: # indicates a change has been made since the last publication of this manual - deleted ref. 8 / 20

Accessories



Accessories - 10/07

Ref.	Part No.	Description	Qty
		17" DRIVE	
1	9097150000	BRUSH DECK 17" KIT WITH SPLASH GUARD	1
		17" DRIVE - BRUSHES	
2*	L08812891	BRUSH POLY 17"	1
2*	L08837021	BRUSH POLY LITE 17"	1
2*	909 5691 000	BRUSH LITE GRIT 17"	1
2*	L08837024	BRUSH MED GRIT 17"	1
3*	L08837017	PAD HOLDER 17" COMPLETE	1
4	L08603966	RING NYLON	1
5	L08837030	RETAINER PAD	1

		20" DRIVE	
6	9097149000	BRUSH DECK 20" KIT WITH SPLASH GUARD	1
		20" NO DRIVE, 20" DRIVE - BRUSHES	
7*	L08837025	BRUSH POLY 20"	1
7*	L08837026	BRUSH POLY LITE 20"	1
7*	L08837028	BRUSH LITE GRIT 20"	1
7*	L08837029	BRUSH MED GRIT 20"	1
8*	L08837018	PAD HOLDER 20" COMPLETE	1
9	L08603966	RING NYLON	1
10	L08837030	RETAINER PAD	1

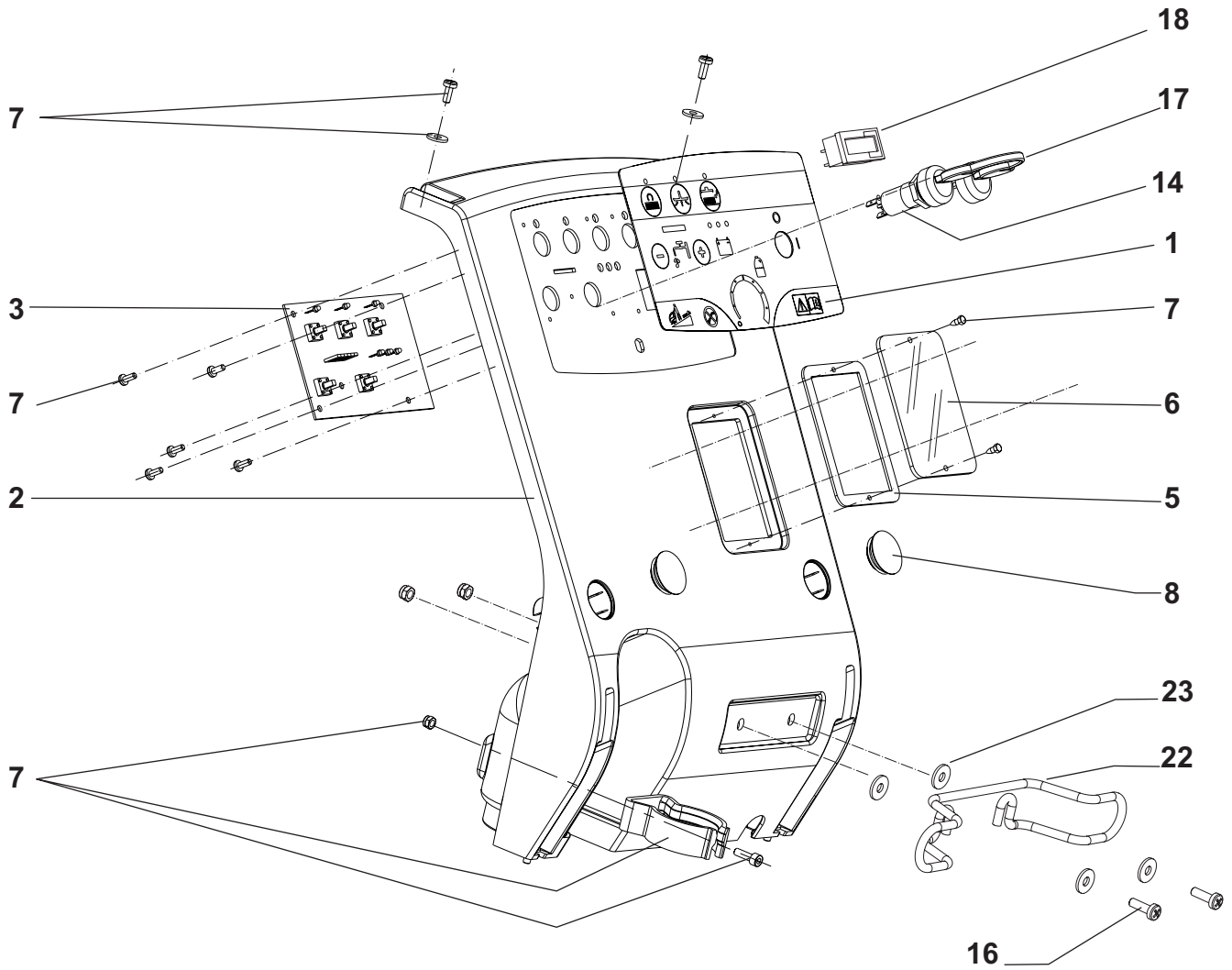
		20" CYL. DRIVE	
11	909 6854 0000	BRUSH DECK CYL. KIT	1
		20" CYL. DRIVE - BRUSHES	
12*	909 5823 000	BRUSH CYL. POLY	2
12*	909 5824 000	BRUSH CYL. POLY PLUS	2
12*	909 5825 000	BRUSH CYL. MED GRIT	2

		SQUEEGEE	
		SQUEEGEE BLADES	
[14]*	909 6858 000	SQUEEGEE BLADES POLYURETHAN KIT 30"	1
[15]*	909 6860 000	SQUEEGEE BLADES NEOPRENE/6MM KIT 30"	1

***BOOST*® Accessories - 10/07**

	Part No.	Description	
	30789A	POLY BRUSH BOOST® 20"	
	30788A	NYLON BRUSH BOOST® 20"	
	30790A	CLEAN GRIT BRUSH BOOST® 20"	
	997023	PADS, CASE OF 5, 14" X 20" WHITE	
	997020	PADS, CASE OF 5, 14" X 20" RED	
	997021	PADS, CASE OF 5, 14" X 20" BLUE	
	997022	PADS, CASE OF 5, 14" X 20" BLACK	
	997024	PADS, CASE OF 10, 14" X 20" MAROON SURFACE PREP PAD	

Control Panel System - 10/09

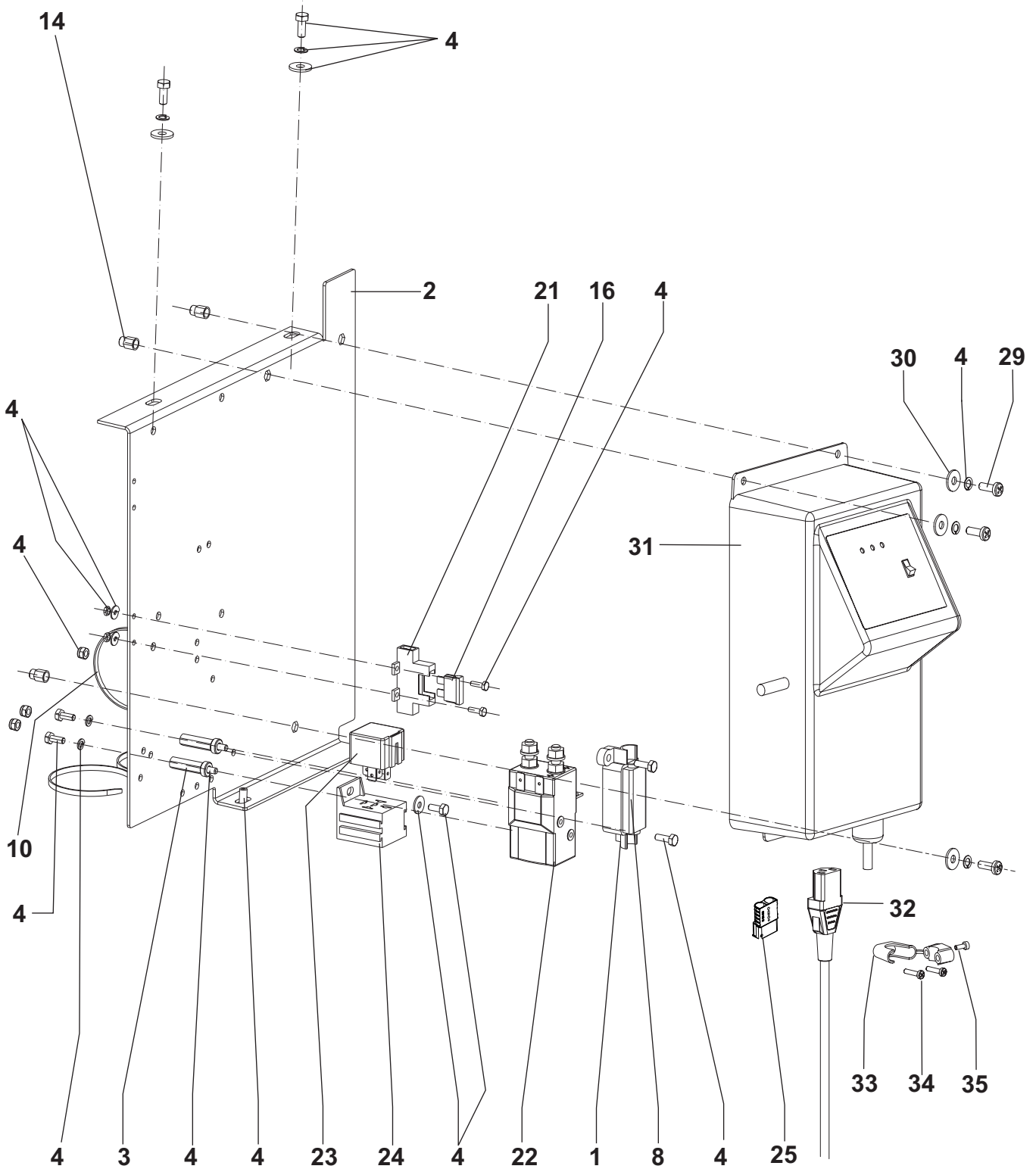


Control Panel System - 10/09

Ref.	Part No.	Description	Qty
1	9097025000	DECAL CONTROL PANEL	1
2	9097072000	COVER ELECTRIC COMPONENTS	1
3	9097042000	CARD ELECTRONIC (FUNCTION BOARD EB1)	1
5	909 6545 000	GASKET	1
6	909 5313 000	PLATE INSPECTION TRANSPARENT	1
7	9098302000	HARDWARE CONTROL PANEL KIT	1
8	L08812365	CAP, BLACK	2
14	146 2888 000	SWITCH KEY WITH CAP	1
16	146 2090 000	SCREW M5X16 UNI7687	2
17	146 2887 000	KEY	1
18	9096951000	METER HOUR 24V	1
[19]	9096952000	INSTRUCTIONS FOR METER HOUR KIT	1
[20]	145 8368 000	FUSE 3A	2
[21]	909 6678 000	FUSE 20A	1
22	909 5149 000	SUPPORT CABLE	1
23	145 1261 000	WASHER 5X15X1,5 UNI6593	4

NOTE: # indicates a change has been made since the last publication of this manual

Electrical Components FOCUS II no Drive - 10/09

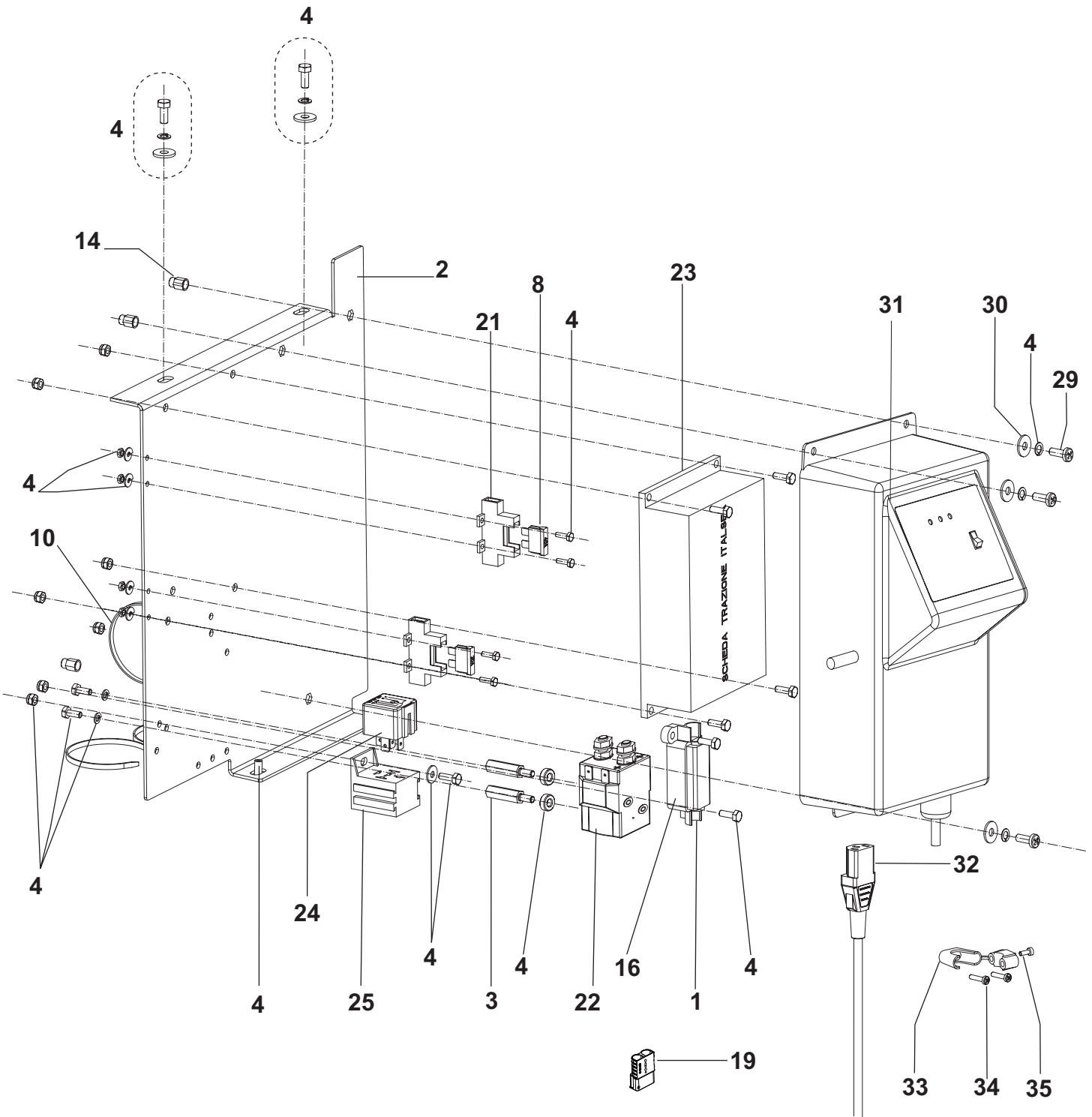


Electrical Components FOCUS II no Drive - 04/10

Ref.	Part No.	Description	Qty
1	145 8046 000	HOLDER FUSE	1
2	909 6498 000	SUPPORT,ELECTRONIC COMP.	1
3	909 6676 000	SPACER M4 L25	2
4	9098303000	HARDWARE ELECTRIC SYSTEM KIT	2
8	145 3824 000	STRIP FUSE 40A	1
10	145 1449 000	CLAMP	3
14	145 6132 000	INSERT M5	3
16	145 8513 000	FUSE 30A	1
21	146 0660 000	HOLDER FUSE	1
22	909 5127 000	SWITCH ELECTROMAGNETIC (BRUSH)	1
23	909 6622 000	RELAY 24V 40A (VACS)	1
24	9097034000	HARNESS ELECTRIC BOX (MAIN TO CONTROLLERS)	1
25	146 1986 000	BATTERY CONNECTOR	1
[26]	9097038000	MACHINE HARNESS	1
[27]	909 6613 000	HARNESS VACUUM MOTOR	1
[28]	9097565000	BATTERY HARNESS	1
29	146 1711 000	SCREW M5X20 UNI7687	3
30	33005912	WASHER M5 UNI6592	3
31	9098296000	CHARGER BATTERY 24V 13A	1
32	9096914000	CABLE EXTENSION	1
33	L08338600	CAP BRACKET	1
34	L08603668	SCREW 4X14	2
35	146 1788 000	SCREW M4X12 UNI5931	1

NOTE: # indicates a change has been made since the last publication of this manual

Electrical Components FOCUS II Drive - 10/09

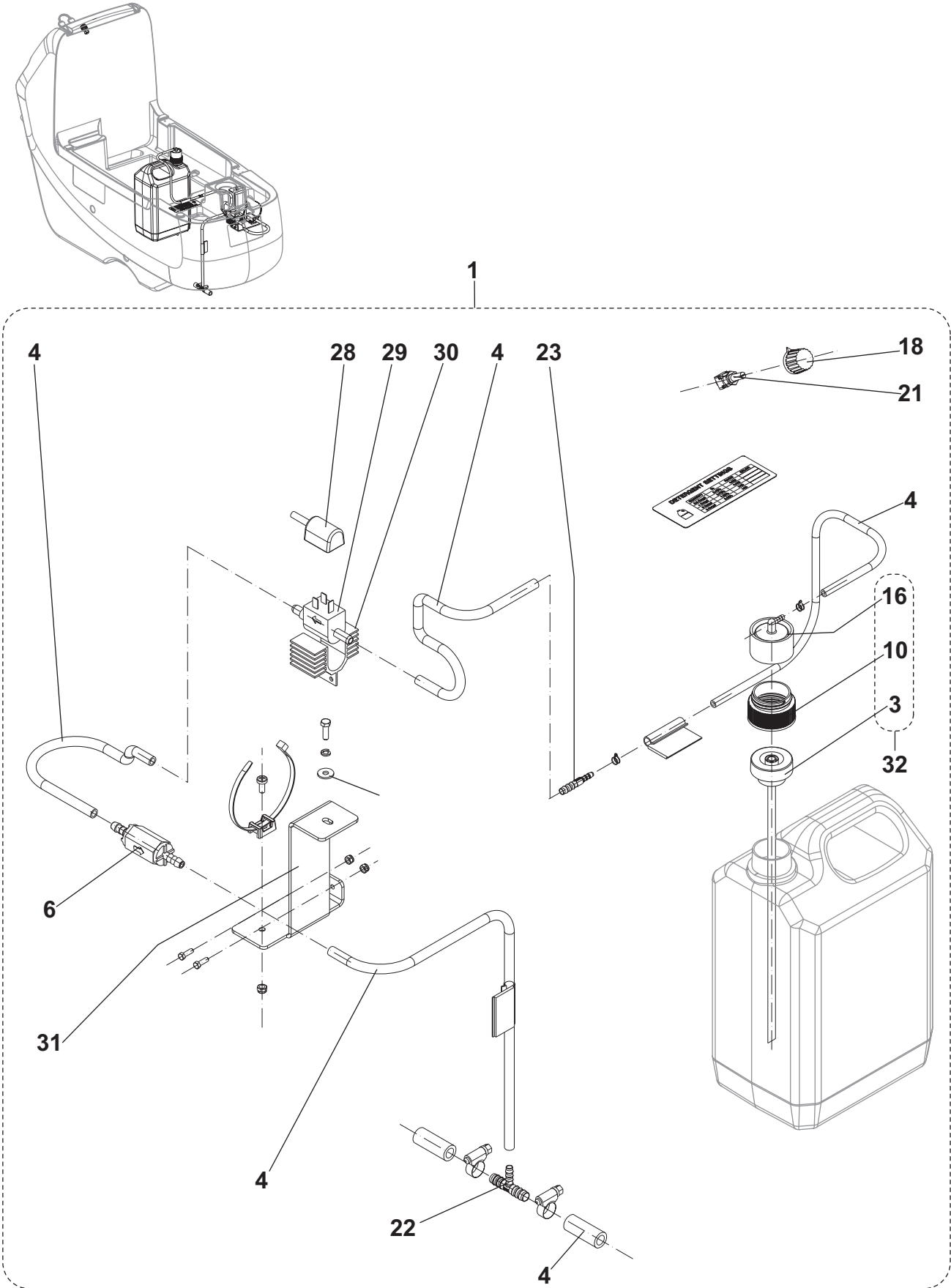


Electrical Components FOCUS II Drive - 11/11

Ref.	Part No.	Description	Qty
1	145 8046 000	HOLDER FUSE	1
2	909 6498 000	SUPPORT,ELECTRONIC COMP.	1
3	909 6676 000	SPACER M4 L25	2
4	9098303000	HARDWARE ELECTRIC SYSTEM KIT	2
8	145 8513 000	FUSE 30A	2
10	145 1449 000	CLAMP	3
14	145 6132 000	INSERT M5	3
16	145 3824 000	STRIP FUSE 40A	1
19	146 1986 000	BATTERY CONNECTOR	1
21	146 0660 000	HOLDER FUSE	2
22	909 5127 000	SWITCH ELECTROMAGNETIC	1
23	9096908000	CARD,ELECTRONIC TRACTION (EB2)	1
24	909 6622 000	RELAY 24V 40A	1
25	9096964000	HARNESS ELECTRIC BOX (MAIN TO CONTROLLERS)	1
[26]#	9098864000	MACHINE HARNESS	1
[27]	909 6613 000	HARNESS VACUUM MOTOR	1
[28]	9097565000	BATTERY HARNESS	1
29	146 1711 000	SCREW M5X20 UNI7687	3
30	33005912	WASHER M5 UNI6592	3
31	9098296000	CHARGER BATTERY 24V 13A	1
32	9096914000	CABLE EXTENSION	1
33	L08338600	CAP BRACKET	1
34	L08603668	SCREW 4X14	2
35	146 1788 000	SCREW M4X12 UNI5931	1

NOTE: # indicates a change has been made since the last publication of this manual

Chemical Mixing System - 04/10

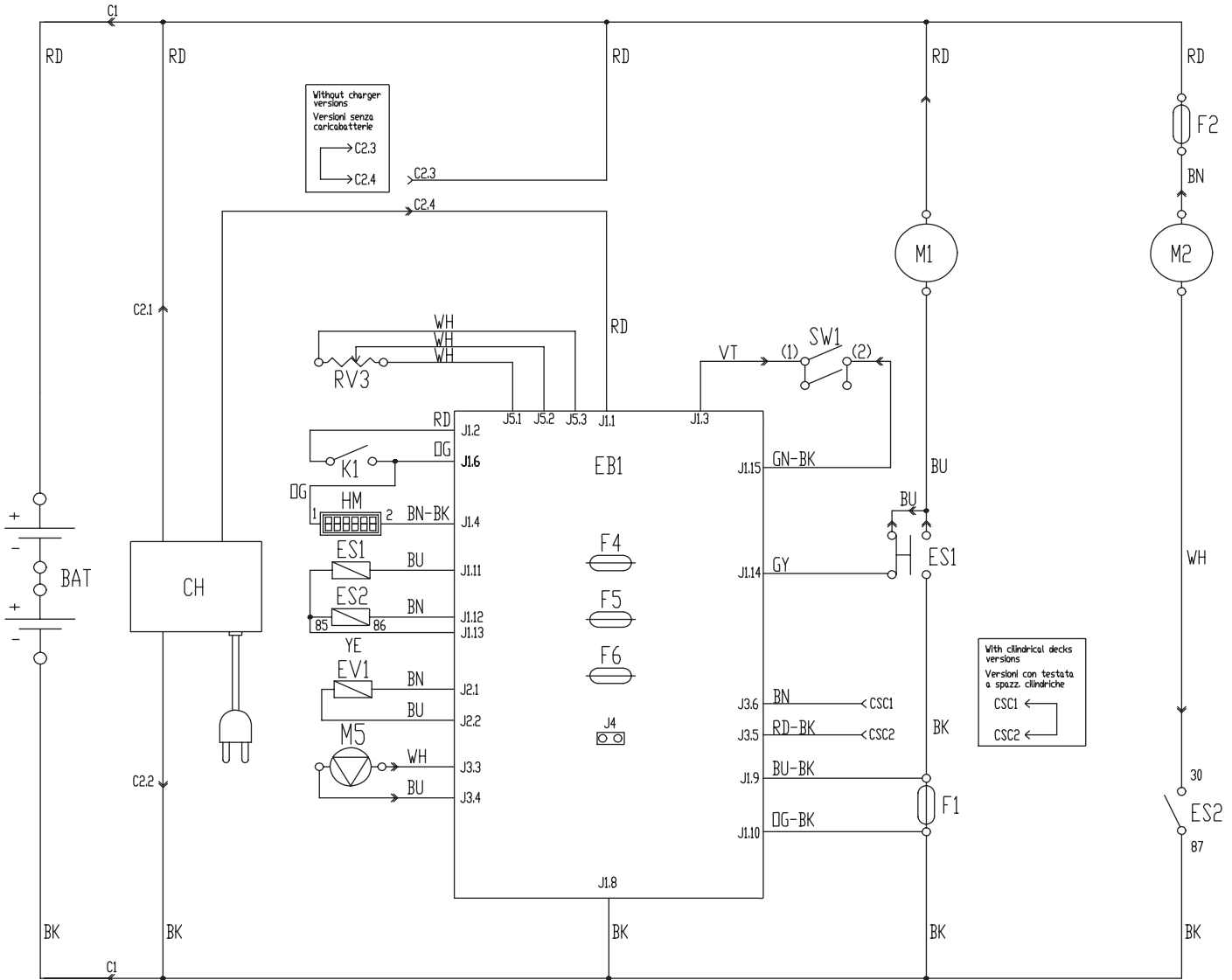


Chemical Mixing System - 04/10

Ref.	Part No.	Description	Qty
1*	9097160000	CHEMICAL MIXING SYSTEM KIT	1
	9097159000	INSTALLATION INSTRUCTIONS CHEMICAL MIXING SYSTEM	1
3		SYPHON HOSE VALVE (SEE ADAPTER CAP ASSY)	1
4	9097175000	CHEMICAL MIXING SYSTEM HOSE KIT	1
6	9097030000	VALVE ONE-WAY 1/4"	1
10		ADAPTER (SEE ADAPTER CAP ASSY)	1
16		CAP DRY BREAK (SEE ADAPTER CAP ASSY)	1
18	145 4719 000	KNOB F/POTENTIOMETER	1
21	909 6076 000	POTENTIOMETER 50K	1
22	909 6092 000	HOLDER RUBBER T	1
23	909 6090 000	HOLDER RUBBER STRAIGHT	1
28	9097041000	CABLE CHEMICAL PUMP	1
29	53721A	PUMP CHEMICAL MIX	1
30	61772A	BRACKET PUMP	1
31	9097084000	BRACKET PUMP SUPPORT	1
32	54778A	ADAPTER CAP ASSY (3-10-16)	1

NOTE: # indicates a change has been made since the last publication of this manual

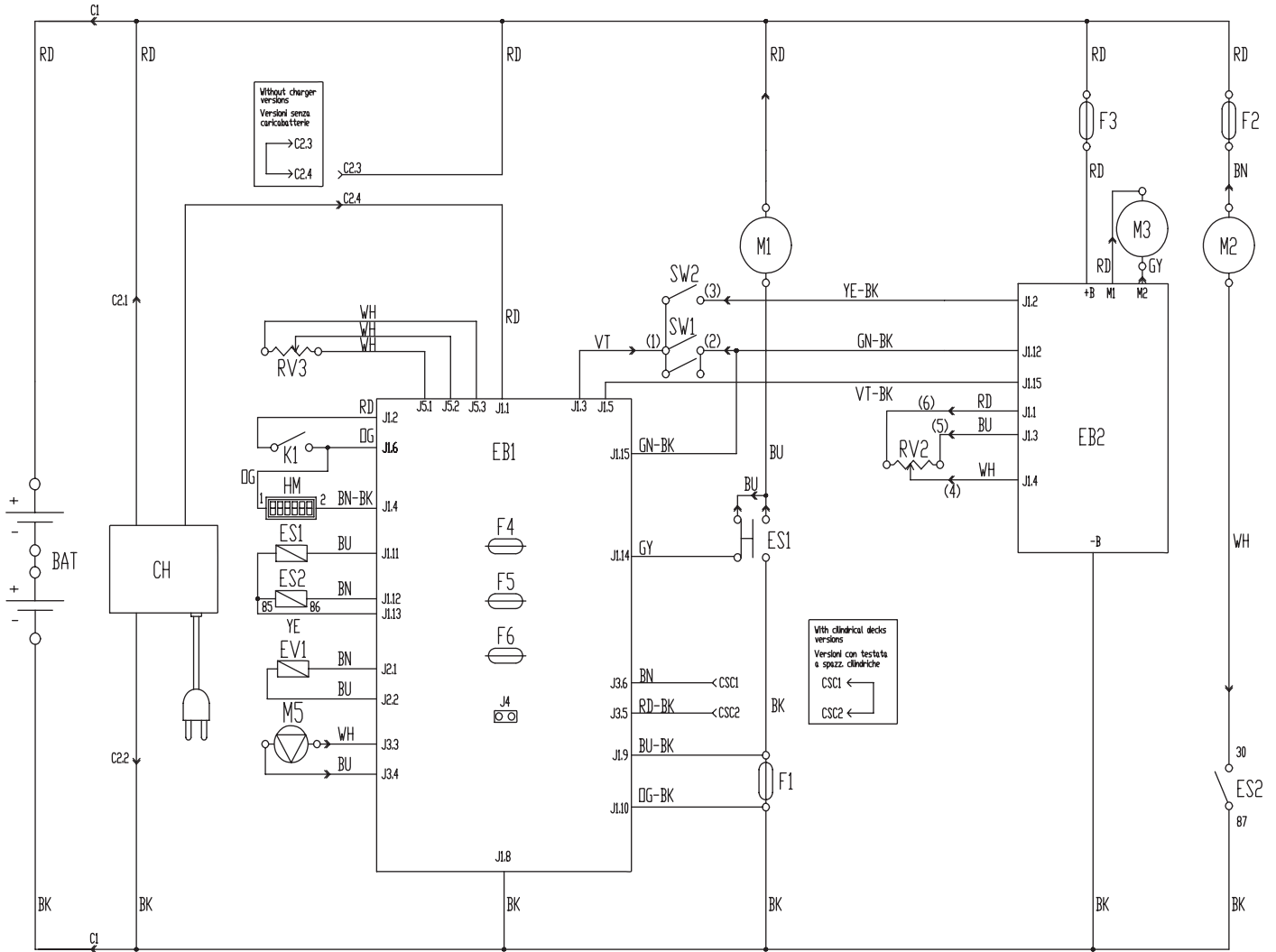
Wiring Diagram FOCUS II no Drive



WIRING DIAGRAM
9097075000

COMPONENTS / COMPONENTI		
BAT	24V BATTERIES	BATTERIE 24V
C1	BATTERY CONNECTOR	CONNETTORE BATTERIE
C2	CHARGER CONNECTOR	CONNETTORE CARICABATTERIE
CH	BATTERY CHARGER (OPT)	CARICABATTERIE (OPT)
CSC	CILINDRICAL DECK SECONDARY CONNECTOR	CONN. SECONDARIO TESTATA SPAZZ. CILINDRICHE
EB1	CONTROL PANEL BOARD	SCHEDA ELETTRONICA CONTROLLO FUNZIONI
ES1	BRUSH MOTOR ELECTROM. SWITCH	TELERUTTORE MOTORI SPAZZOLE
ES2	VACUUM MOTOR ELECTROM. SWITCH	RELE' ASPIRATORE
EV1	ELECTROVALVE	ELETTROVALVOLA
F1	BRUSH DECK FUSE	FUSIBILE TESTATA SPAZZOLE
F2	VACUUM MOTOR FUSE	FUSIBILE ASPIRATORE
F4	LOW POWER CIRCUIT FUSE	FUSIBILE CIRCUITI DI SEGNALE
F5	BRUSH RELEASE FUSE	FUSIBILE SGANCIO SPAZZOLE
F6	PUMP FUSE	FUSIBILE POMPE
HM	HOURLMETER (OPT)	CONTADRE (OPT)
K1	KEY SWITCH	CHIAVE
M1	BRUSH MOTOR	MOTORE SPAZZOLA
M2	VACUUM MOTOR	MOTORE ASPIRATORE
M5	DETERGENT PUMP (OPT)	POMPA DETERGENTE (OPT)
RV3	DETERGENT % POTENTIOMETER (OPT)	POTENZIOMETRO % DETERGENTE (OPT)
SW1	BRUSHES / DRIVE BUTTONS	PULSANTI CONSENSO SPAZZOLE/TRAZIONE

Wiring Diagram FOCUS II Drive



WIRING DIAGRAM

9097074000

COMPONENTS / COMPONENTI					
BAT	24V BATTERIES	BATTERIE 24V	K1	KEY SWITCH	CHIAVE
C1	BATTERY CONNECTOR	CONNETTORE BATTERIE	M1	BRUSH MOTOR	MOTORE SPAZZOLA
C2	CHARGER CONNECTOR	CONNETTORE CARICABATTERIE	M2	VACUUM MOTOR	MOTORE ASPIRATORE
CH	BATTERY CHARGER (OPT)	CARICABATTERIE (OPT)	M3	DRIVE MOTOR	MOTORE TRAZIONE
CSC	CILINDRICAL DECK SECONDARY CONNECTOR	CONN. SECONDARIO TESTATA SPAZZ. CILINDRICHE	M5	DETERGENT PUMP (OPT)	POMPA DETERGENTE (OPT)
EB1	CONTROL PANEL BOARD	SCHEDA ELETTRONICA CONTROLLO FUNZIONI	RV2	MAX SPEED POTENTIOMETER	POTENZIOMETRO VELOCITA' MASSIMA
EB2	DRIVE ELECTRONIC BOARD	SCHEDA ELETTRONICA TRAZIONE	RV3	DETERGENT % POTENTIOMETER (OPT)	POTENZIOMETRO % DETERGENTE (OPT)
ES1	BRUSH MOTOR ELECTROM. SWITCH	TELERUTTORE MOTORI SPAZZOLE	SW1	BRUSHES / DRIVE BUTTONS	PULSANTI CONSENSO SPAZZOLE/TRAZIONE
ES2	VACUUM MOTOR ELECTROM. SWITCH	RELE' ASPIRATORE	SW2	REV. GEAR BUTTON	PULSANTE MARCIA INDIETRO
EV1	ELECTROVALVE	ELETTROVALVOLA			
F1	BRUSH DECK FUSE	FUSIBILE TESTATA SPAZZOLE			
F2	VACUUM MOTOR FUSE	FUSIBILE ASPIRATORE			
F3	DRIVE SYSTEM FUSE	FUSIBILE SISTEMA DI TRAZIONE			
F4	LOW POWER CIRCUIT FUSE	FUSIBILE CIRCUITI DI SEGNALE			
F5	BRUSH RELEASE FUSE	FUSIBILE SGANCIO SPAZZOLE			
F6	PUMP FUSE	FUSIBILE POMPE			
HM	HOURLMETER (OPT)	CONTADRE (OPT)			

Recommended Spare Parts - 11/11

Ref.	PART DESCRIPTION	QTY	FOCUS® II MODELS
SOLUTION TANK			
909 6521 000	SOLUTION HOSE	1	L17 - S20 - L20 - L20 Cyl. - BOOST® L20
L08812457	CAP	1	L17 - S20 - L20 - L20 Cyl. - BOOST® L20
909 6554 000	SOLUTION CAP WITH CHAIN AND GASKET	1	L17 - S20 - L20 - L20 Cyl. - BOOST® L20
909 6874 000	TANK CABLE KIT	1	L17 - S20 - L20 - L20 Cyl. - BOOST® L20
9098265000	SOLUTION TANK HARDWARE KIT	1	L17 - S20 - L20 - L20 Cyl. - BOOST® L20
RECOVERY TANK			
9097069000	HOSE SQUEEGEE VACUUM BLACK	1	L17 - S20 - L20 - L20 Cyl. - BOOST® L20
# 9099166000	HOSE DRAIN BLACK	1	L17 - S20 - L20 - L20 Cyl. - BOOST® L20
L08812259	CAGE, FLOAT	2	L17 - S20 - L20 - L20 Cyl. - BOOST® L20
L08812373	BALL FLOAT	1	L17 - S20 - L20 - L20 Cyl. - BOOST® L20
145 0543 000	HOSE CLAMP	2	L17 - S20 - L20 - L20 Cyl. - BOOST® L20
909 6876 000	HARDWARE TANK FIXING KIT	1	L17 - S20 - L20 - L20 Cyl. - BOOST® L20
909 6877 000	HARDWARE MOTOR FIXING KIT	1	L17 - S20 - L20 - L20 Cyl. - BOOST® L20
CHASSIS SYSTEM			
909 6879 000	WHEEL CASTOR SS KIT	1	L17 - S20 - L20 - L20 Cyl. - BOOST® L20
909 6880 000	WHEEL CASTOR KIT	1	S20
909 6878 000	CHASSIS SYSTEM HARDWARE KIT	1	L17 - S20 - L20 - L20 Cyl. - BOOST® L20
DRIVE WHEEL SYSTEM			
9097087000	WHEEL DRIVE D.250 BLUE	2	L17 - L20 - L20 Cyl. - BOOST® L20
909 6548 000	MOTOR DRIVE 24V 200W	1	L17 - L20 - L20 Cyl. - BOOST® L20
9097085000	WHEEL FRONT D.250 BLUE	2	S20
145 5124 000	CARBON BRUSH MOTOR TRACTION	2	L17 - L20 - L20 Cyl. - BOOST® L20
SQUEEGEE SYSTEM			
909 6055 000	FRONT STRAP	2	L17 - S20 - L20 - L20 Cyl. - BOOST® L20
909 6044 000	WELDMENT SQUEEGEE TOOL	1	L17 - S20 - L20 - L20 Cyl. - BOOST® L20
9097637000	SQUEEGEE FIXING KIT	2	L17 - S20 - L20 - L20 Cyl. - BOOST® L20
909 6551 000	KNOB 8X30 SS	1	L17 - S20 - L20 - L20 Cyl. - BOOST® L20
909 6858 000	SQUEEGEE BLADES PU KIT	1	L17 - S20 - L20 - L20 Cyl. - BOOST® L20
9097195000	SQUEEGEE CPL ALU KIT 30" WITH POLY. BLADES	1	L17 - S20 - L20 - L20 Cyl. - BOOST® L20
909 6882 000	FIXING SQUEEGEE KIT	1	L17 - S20 - L20 - L20 Cyl. - BOOST® L20
909 6883 000	SQUEEGEE WHEEL KIT	1	L17 - S20 - L20 - L20 Cyl. - BOOST® L20
909 6884 000	SQUEEGEE BUMPER ROLLER KIT	1	L17 - S20 - L20 - L20 Cyl. - BOOST® L20
909 6885 000	HARDWARE SQUEEGEE FIXING KIT	1	L17 - S20 - L20 - L20 Cyl. - BOOST® L20
BRUSH SYSTEMS			
9097150000	BRUSH DECK 17" KIT W/ SPLASHGUARD	1	L17
9097149000	BRUSH DECK 20" KIT W/ SPLASHGUARD	1	L20
9097079000	BRUSH DECK 17" BLACK	1	S20
9097078000	BRUSH DECK 20" BLACK	1	S20 - L20
# 909 5637 000	GAS SPRING (EXTRA PRESSURE)	1	S20 - L20
# 9098308000	REDUCTIONGEARMOTOR 450W	1	S20 - L20
909 6355 000	ROLLER BUMPER KIT	1	S20 - L20
L08601624	FITTING 1/4	1	S20 - L20
9097184000	VIBRATION DAMPING	1	S20 - L20
145 8564 000	SPLIT PIN	2	S20 - L20
CYLINDRICAL BRUSH SYSTEM			
9098488000	ROLLER BUMPER KIT	1	L20 Cyl.
145 4366 000	TEE FITTING	1	L20 Cyl.
909 5772 000	WATER HOSE	1	L20 Cyl.
909 5805 000	HOPPER CYLYNDRICAL DECK	1	L20 Cyl.
9096983000	REDUCTION GEARMOTOR 300W 24V	2	L20 Cyl.
909 5820 000	BELT POLY-V	2	L20 Cyl.
909 5870 000	HOSE D.10 L=190	1	L20 Cyl.
9098486000	SUPPORT CYL.BRUSH KIT	1	L20 Cyl.
9098487000	SUPPORT PULLEY KIT	1	L20 Cyl.
909 6854 000	BRUSH DECK 510MM CYL. KIT	1	L20 Cyl.

Recommended Spare Parts - 11/11

Ref.	PART DESCRIPTION	QTY	FOCUS® II MODELS
CONTROL PANEL SYSTEM			
9096951000	METER HOUR 24V	1	L17 - S20 - L20 - L20 Cyl. - BOOST® L20
146 2888 000	ON/OFF KEY SWITCH WATERPROOF	1	L17 - S20 - L20 - L20 Cyl. - BOOST® L20
ELECTRICAL SYSTEMS			
9097042000	CARD ELECTRONIC	1	L17 - S20 - L20 - L20 Cyl. - BOOST® L20
9096908000	CARD ELECTRONIC TRACTION	1	L17 - L20 - L20 Cyl. - BOOST® L20
909 5127 000	SWITCH ELECTROMAGNETIC 24V	1	L17 - S20 - L20 - L20 Cyl. - BOOST® L20
909 6622 000	RELAY 24V 40A	1	L17 - S20 - L20 - L20 Cyl. - BOOST® L20
145 3824 000	FUSE STRIP 40A	1	L17 - S20 - L20 - L20 Cyl. - BOOST® L20
145 8513 000	FUSE BLADE 30A UL	1	L17 - S20 - L20 - L20 Cyl. - BOOST® L20
145 8368 000	FUSE 3A	1	L17 - S20 - L20 - L20 Cyl. - BOOST® L20
909 6678 000	FUSE 20A GLASS DELAYED	1	L17 - S20 - L20 - L20 Cyl. - BOOST® L20
9097043000	POTENTIOMETER	1	L17 - L20 - L20 Cyl. - BOOST® L20
# 9099401000	MOTOR VACUUM	1	L17 - S20 - L20 - L20 Cyl. - BOOST® L20
909 6491 000	VACUUM MOTOR PANEL ACOUSTIC INSULATION	1	L17 - S20 - L20 - L20 Cyl. - BOOST® L20
909 6490 000	GASKET VACUUM MOTOR for vac motor 909 6802 000	1	L17 - S20 - L20 - L20 Cyl. - BOOST® L20
9098056000	GASKET VACUUM MOTOR		
9096918000	GASKET VACUUM MOTOR for vac motor 909 6802 000	1	L17 - S20 - L20 - L20 Cyl. - BOOST® L20
9098057000	GASKET VACUUM MOTOR		
909 6672 000	VACUUM MOTOR 24V FAN SCREEN	1	L17 - S20 - L20 - L20 Cyl. - BOOST® L20
9098296000	BATTERY CHARGER 24V 13A 100-240V 50/60HZ	1	L17 - S20 - L20 - L20 Cyl. - BOOST® L20
40606A	BATTERY 12V 130AH WET	1	L17 - S20 - L20 - L20 Cyl. - BOOST® L20
41034A	BATTERY 12V 114AH AGM	1	L17 - S20 - L20 - L20 Cyl. - BOOST® L20
ACCESSORIES			
53391A	CBMS (CLARKE BATTERY MAINTENANCE SYSTEM)	1	L17 - S20 - L20 - L20 Cyl. - BOOST® L20
9097160000	CHEMICAL MIX KIT	1	L17 - S20 - L20 - L20 Cyl. - BOOST® L20
9097175000	PIPES CHEMICAL MIX KIT	1	L17 - S20 - L20 - L20 Cyl. - BOOST® L20
L08812891	BRUSH POLY 17"	1	L17
L08837021	BRUSH POLY LITE 17"	1	L17
909 5691 000	BRUSH LITE GRIT 17"	1	L17
L08837024	BRUSH MED GRIT 17"	1	L17
L08837017	PAD HOLDER 17" COMPLETE	1	L17
L08837025	BRUSH POLY 20"	1	S20 - L20
L08837026	BRUSH POLY LITE 20"	1	S20 - L20
L08837028	BRUSH LITE GRIT 20"	1	S20 - L20
L08837029	BRUSH MED GRIT 20"	1	S20 - L20
L08837018	PAD HOLDER 20" COMPLETE	1	S20 - L20
909 5823 000	BRUSH CYL. POLY	2	L20 Cyl.
909 5824 000	BRUSH CYL. POLY PLUS	2	L20 Cyl.
909 5825 000	BRUSH CYL. MED. GRIT	2	L20 Cyl.
909 6900 000	WHEEL CASTOR	1	L17 - S20 - L20 - L20 Cyl. - BOOST® L20
L08837030	RETAINER PAD	1	L17 - S20 - L20

Clarke[®]

14600 21st Avenue North
Plymouth, MN 55447-3408

www.clarkeus.com

Phone: 800-253-0367

Fax: 800-825-2753

©2011 Nilfisk-Advance, Inc.

A Nilfisk-Advance Brand