



Click Here To View
Item at

www.GapPower.com

*Sales • Rentals
Parts & Service*

SL8-111A Idler - Fan Assembly

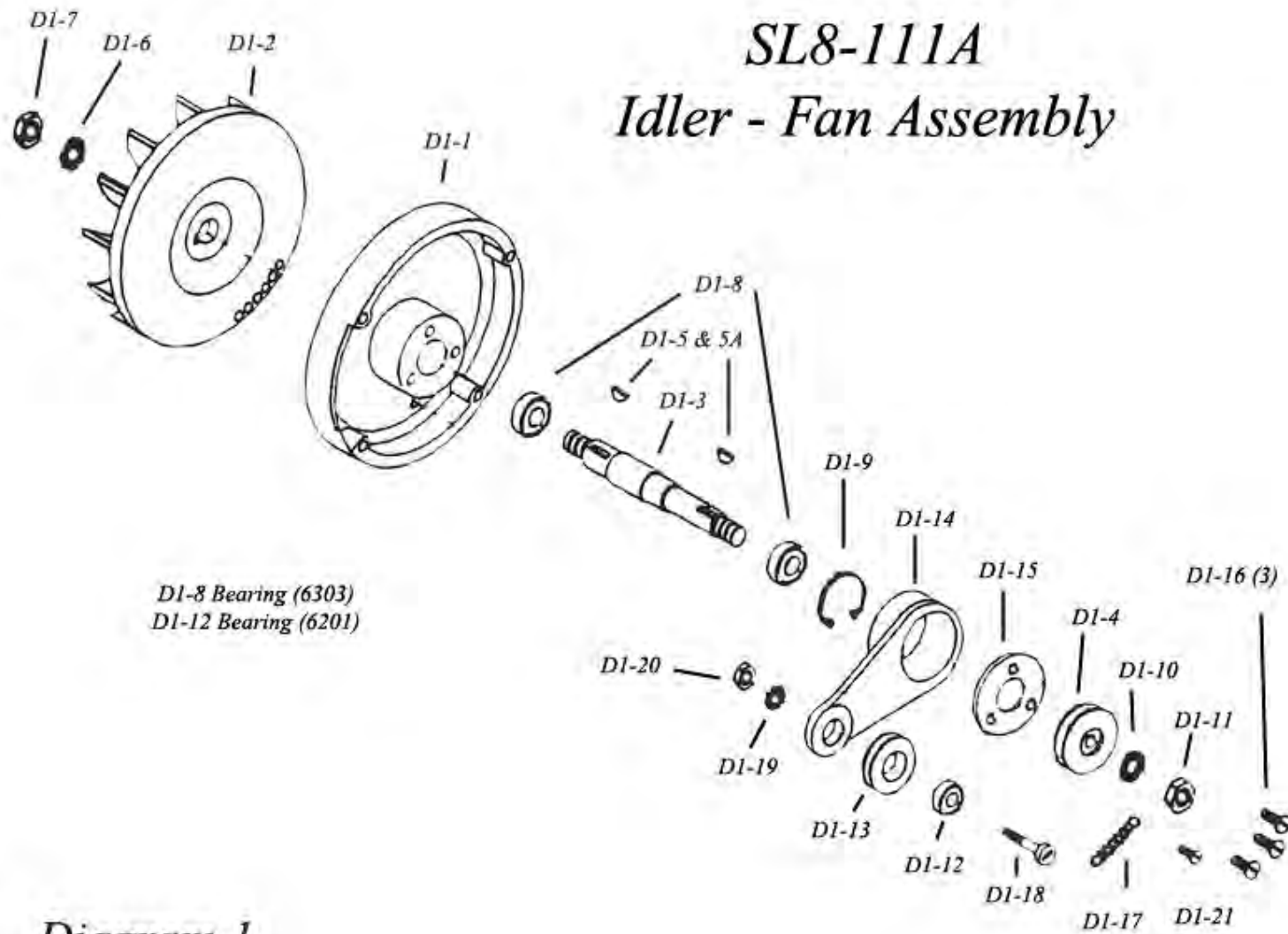
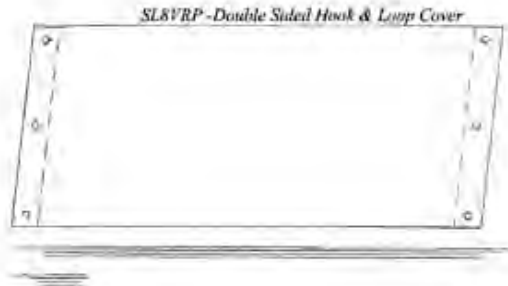
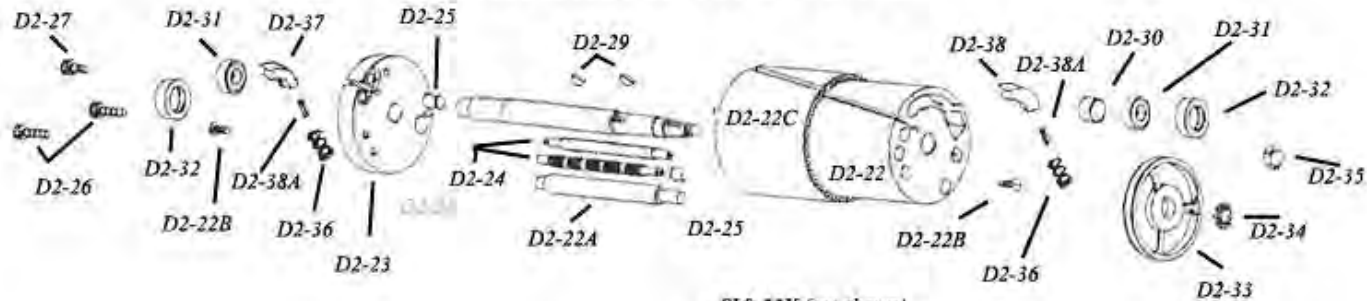


Diagram 1

Diagram	#	QTY	Item		List \$	Diagram
Fan Assembly SL8111						
D1	D1-1	1	SL81	SL8-1 Fan Housing	\$ 146.99	D1
D1		4	SL81A	SL8-1A Fan Housing Screw (Not Shown)	\$.59	D1
<i>D1</i>		<i>1</i>	<i>SL81A - S</i>	<i>SL8-1A Screws (Set - 4)</i>	<i>\$ 2.10</i>	<i>D1</i>
D1	D1-2	1	SL82	SL8-2 Exhaust Fan	\$ 73.99	D1
D1	D1-3	1	SL83	SL8-3 Fan Shaft	\$ 73.99	D1
D1	D1-4	1	SL84	SL8-4 Fan Pulley	\$ 53.99	D1
D1	D1-5	1	SL85	SL8-5 Exhaust Fan Key	\$ 1.09	D1
D1	D1-5A	1	SL85A	SL8-5A Fan Pulley Key	\$ 1.09	D1
D1	D1-6	1	SL86	SL8-6 Exhaust Fan Washer	\$ 0.59	D1
D1	D1-7	1	SL87	SL8-7 Exhaust Fan Nut	\$ 1.09	D1
D1	D1-8	2	SL88	SL8-8 Fan Bearing (6203)	\$ 17.99	D1
D1	D1-9	1	SL89	SL8-9 Fan Bearing Retaining Ring	\$ 2.09	D1
D1	D1-10	1	SL810	SL8-10 Fan Pulley Washer	\$ 0.59	D1
D1	D1-11	1	SL811	SL8-11 Fan Pulley Nut	\$ 1.09	D1
D1	D1-11A	3	SL811A	SL81A Fan Housing Screw (Not Shown)	\$ 1.09	D1
D1	D1-12	1	SL812	SL8-12 Idler Pulley Bearing #6201	\$ 17.99	D1
D1	D1-13	1	SL813	SL8-13 Idler Pulley	\$ 42.99	D1
D1	D1-14	1	SL814	SL8-14 Idler Arm	\$ 48.99	D1
D1	D1-15	1	SL815	SL8-15 Idler Arm Retaining Plate	\$ 4.99	D1
D1	D1-16	3	SL816	SL8-16 Idler Arm Retaining Plate Screw	\$ 0.59	D1
<i>D1</i>		<i>1</i>	<i>SL816 - S</i>	<i>SL8-16 - S Screws (Set - 3)</i>	<i>\$ 1.58</i>	<i>D1</i>
D1	D1-17	1	SL817	SL8-17 Idler Arm Spring	\$ 1.39	D1
D1	D1-18	1	SL818	SL8-18 Idler Stud	\$ 23.99	D1
D1	D1-19	1	SL8-19	SL8-19 Idler Stud Washer	\$ 0.59	D1
D1	D1-20	1	SL8-20	SL8-20 Idler Stud Nut	\$ 1.09	D1
D1	D1-21	1	SL8-21	SL8-21 Idler Arm Spring Screw	\$.99	D1

Standard SL8-222

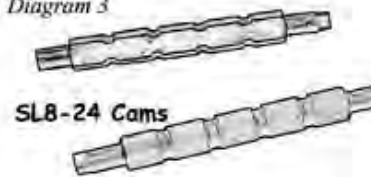


*SL8-22V (not shown)
Drum Barrel for the H & L Drum,
is not machined for Cams or weight rod.*

*Endcaps (D2-23) with "AB" in the serial number
will only fit barrels with "AB".*

*Older barrels without "AB" insignia will only
take endcaps without "AB"
Specify if ordering!*

Diagram 3



SL8-24 Cams



*The above referenced parts do not wear out on the SL8 Drum. If
you drum is not holding paper, it probably needs a new rubber
cover. The cams are hardened steel, the springs don't lose their
spring ability and the pads do not get smaller with use.
Call us @ 1 800 451-9560 for a Drum Exchange*

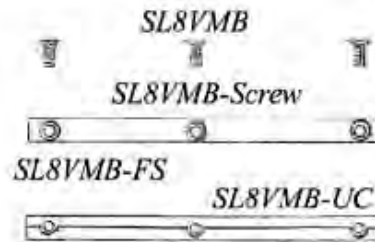


Diagram 2

Diagram	#	QTY	Item	List \$	Diagram
D2	D2-22	1	SL822 SL8-22 Sanding Drum Barrel	\$ 344.99	D2
D2			SL822-V SL822V H & L Sanding Drum Barrel (Not Shown)	\$ 323.99	D2
D2	D2-22A	1	SL822A SL8-22A Sanding Drum Weight	\$ 39.99	D2
D2	D2-22B	2	SL822B SL8-22B Sanding Drum Weight Screws	\$ 0.59	D2
D2	D2-22C	1	SL822C Rubber Pad SL8-22C 8" Rubber Pads 1/2x8x18-1/2	\$ 119.99	D2
D2	D2-23	1	SL823 SL8-23 Drum End Cap	\$ 78.99	D2
D2	D2-23V	1	SL823V SL8-23V End Cap	\$ 78.99	D2
D2	D2-24	2	SL824 SL8-24 Cam	\$ 78.99	D2
D2	D2-25	2	SL825 SL8-25 Drum Shaft	\$ 5.49	D2
D2	D2-26	2	SL826 SL8-26 Drum End Cap/Screws (long)	\$.99	D2
D2	D2-27	1	SL827 SL8-27 Drum End Cap Screw (Short)	\$.99	D2
D2	D2-28	1	SL828 SL8-28 Drum Shaft	\$ 6.99	D2
D2	D2-29	2	SL829 SL8-29 Drum Shaft Key	\$.99	D2
D2	D2-30	1	SL830 SL8-30 Drum Spacer	\$ 6.99	D2
D2	D2-31	2	SL831 SL8-31 Drum Pulley	\$ 17.99	D2
D2	D2-32	2	SL832 SL8-32 Drum Pulley Washer	\$ 12.99	D2
D2	D2-33	1	SL833 SL8-33 Drum Pulley	\$ 61.99	D2
D2	D2-34	1	SL834 SL8-34 Drum Pulley Washer	\$ 0.59	D2
D2	D2-35	1	SL835 SL8-35 Drum Pulley Nut	\$.99	D2
D2	D2-36	1	SL836 SL8-36 Tension Roll Spring (Short)	\$ 10.99	D2
D2		1	SL836A SL8-36A Tension Roll Spring (Long)	\$ 10.99	D2
D2		1	SL836R SL8-36R Tension Roll Spring (RED)	\$ 10.99	D2
D2	D2-37	1	SL837 Pressure Pawl Drum End	\$ 20.99	D2
D2		1	SL837L Pressure Pawl Drum End (Long)	\$ 18.99	D2
D2	D2-38	1	SL838 Pressure Pawl Pulley End	\$ 20.99	D2
D2	D2-38A	2	SL838A Pressure Pawl Spring Pin	\$ 0.59	D2
D2		1	SL838L SL8-38L Pressure Pawl Pulley End (long)	\$ 18.99	D2
D2	SL8VMB	1	SL8VMB Metal Bar for Velcro Drum End (S)	\$ 34.99	D2
D2	SL8VMB-FS	1	SL8VMB:SL8VMB-FS Flat Stock for VMB	\$ 19.99	D2
D2	SL8VMB-Screw	3	SL8VMB:SL8VMB-Screw VMB-Screw..10-24 x 5/8" Flat Socket head	\$ 0.59	D2
D2	SL8VMB-UC	1	SL8VMB:SL8VMB-UC U Channel for VMB	\$ 17.49	D2
D2	SL8VRP	1	SL8VRP SL8 Velcro Replacement Pad (H&H)	\$ 87.99	D2

Diagram 3

SL8-24 Cams

SL836 Tension Roll Springs

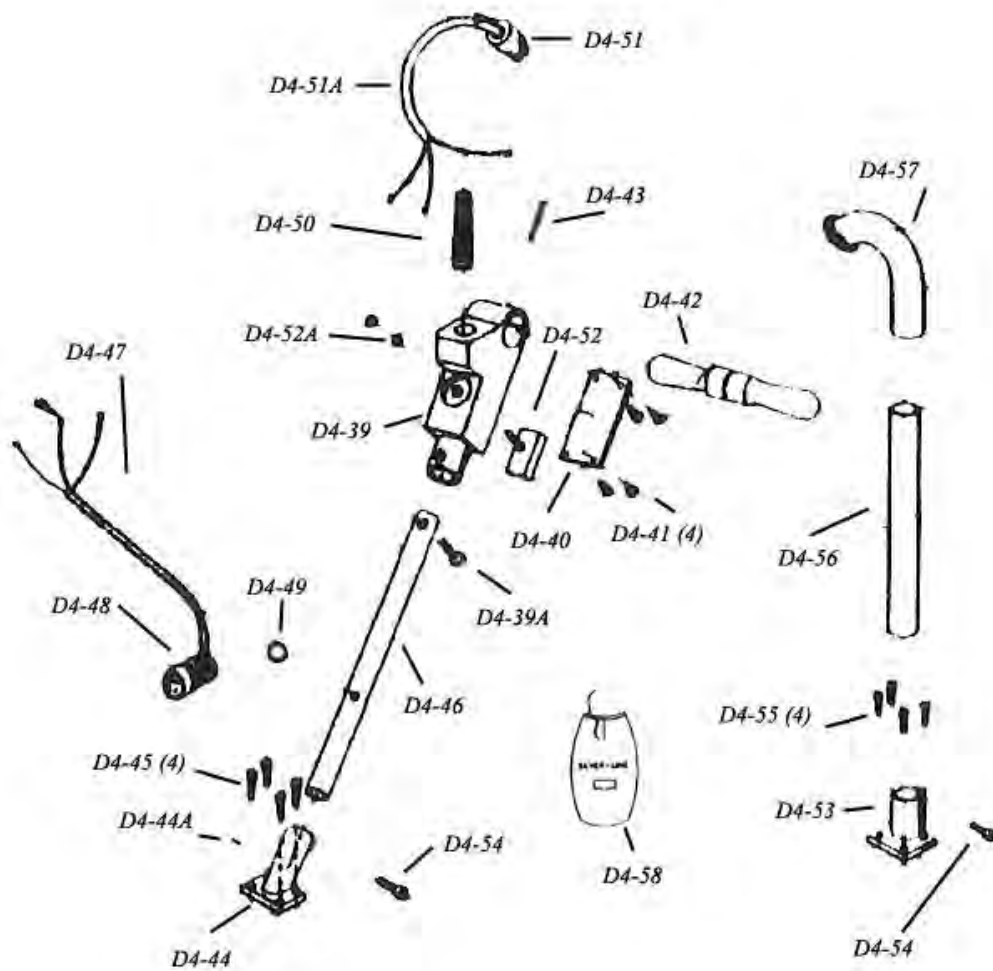
SL830 Drum Spacer

SL837 Pressure Pawl Drum End

SL838 Pressure Pawl Pulley End

The above referenced parts do not wear out on the SL8 Drum. If you drum is not holding paper, it probably needs a new rubber cover. The cams are hardened steel, the springs don't lose their spring ability and the pawls do not get smaller with use.

Call us @ 1 800 451-5560 for a Drum Exchange



(Note: D4-46 comes with D4-49 attached)

Diagram 4

Diagram	#	QTY	Item	List Price	Rental Net	Diagram
Handle Assembly SL8333						
D4	D4-39	1	SL839	SL8-39 Switch Housing	\$ 99.99	D4
D4	D4-39A	1	SL839A	SL8-39A Switch Housing Tube Screw	\$.99	D4
D4	D4-40	1	SL840	SL8-40 Switch Housing Cover	\$ 8.99	D4
D4		1	SL840A	SL8-40A Toggle Guard (Canada)	\$ 7.49	D4
D4	D4-41	4	SL841	SL8-41 Switch Housing Cover Screw	\$ 0.59	D4
D4	D4-41	1	SL841 - 5	SL8-41 Screws (Set - 4)	\$ 2.10	D4
D4	D4-42	1	SL842	SL8-42 Wooden Handle	\$ 16.99	D4
D4	D4-43	1	SL843	SL8-43 Handle Retaining Screw	\$ 1.69	D4
D4	D4-44	1	SL844	SL8-44 Handle Tube Socket	\$ 65.99	D4
D4	D4-44A	1	SL844A	SL8-44A Handle Tube Socket Screw	\$ 1.39	D4
D4		1	SL844B	SL8-44B Holding Strap (Canada)	\$ 2.10	D4
D4	D4-45	4	SL845	SL8-45 Handle Tube Socket Screws	\$ 1.09	D4
D4	D4-45	1	SL845 - 5	SL8-45 - 5 Screws (Set of 4)	\$ 4.20	D4
D4	D4-46	1	SL846	SL8-46 Handle Tube w/Grommet (C7-49)	\$ 36.99	D4
D4	D4-47	1	SL847	SL8-47 Handle Tube Cord w/Terminals	\$ 11.09	D4
D4	D4-48	1	SL848	SL8-48 Handle Cord Twist Lock (Female) (Also SL898)	\$ 22.99	D4
D4	D4-49	1	SL849	SL8-49 Handle Tube Grommet	\$ 2.39	D4
D4	D4-50	1	SL850	SL8-50 Switch Housing Strain Reliever	\$ 24.99	D4
D4		1	SL850A	SL8-50A Brass Insert/Strain reliever (Not Shown)	\$ 5.86	D4
D4	D4-51	1	SL851	SL8-51 Switch Handle Twist Lock (Male) (Also SL896)	\$ 14.99	D4
D4	D4-51A	1	SL851A	SL8-51A Switch Handle Cord w/Term.	\$ 7.19	D4
D4	D4-52	1	SL852	SL8-52 Switch	\$ 23.99	D4
D4	D4-52A	1	SL852A	SL8-52A On/Off Plate	\$ 0.89	D4
Dust Tube, Socket, Elbow & Bag						
D4	D4-53	1	SL853	SL8-53 Dust Tube Socket	\$ 78.99	D4
D4	D4-54	1	SL854	SL8-54 Dust/Handle Tube Screw	\$ 1.09	D4
D4	D4-55	4	SL855	SL8-55 Dust Tube Socket Screw	\$ 1.09	D4
D4		1	SL855 - 5	SL8-55 - 5 Screws (Set of 4)	\$ 4.20	D4
D4	D4-56	1	SL856	SL8-56 Dust Tube	\$ 41.99	D4
D4	D4-57	1	SL857	SL8-57 Dust Bag Elbow	\$ 61.99	D4
D4	D4-58	1	SL858	SL8-58 Dust Bag	\$ 27.99	D4

Diagram 5

SL8-444 Wheel Assembly

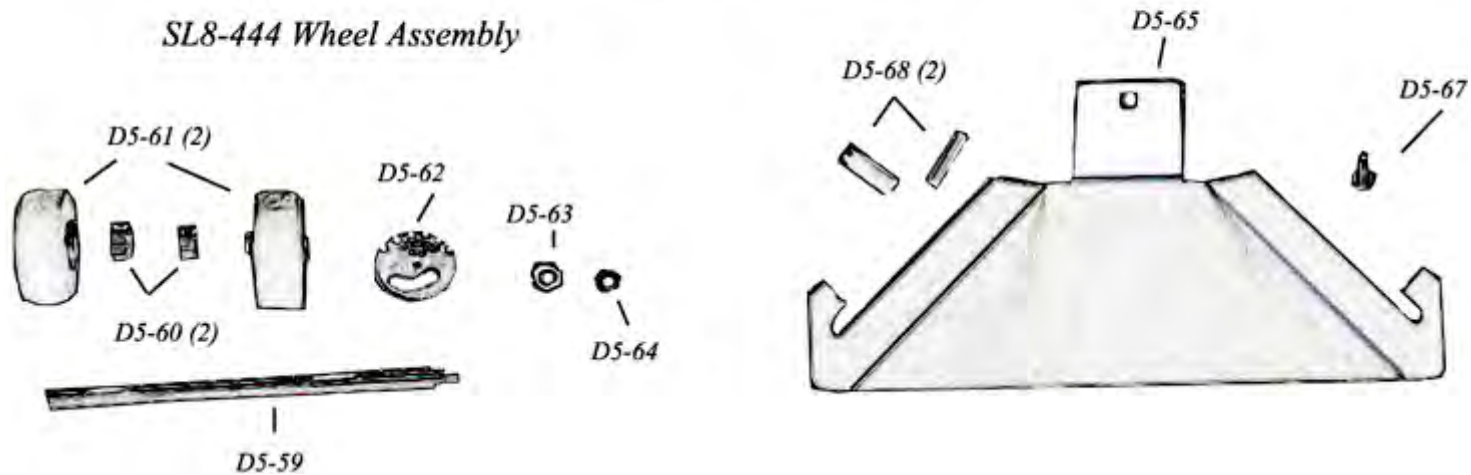


Diagram	#	QTY	Item	Wheel Assembly (SL8444)	List Price	Diagram
D5	D5-59	1	SL859	SL8-59 Wheel Shaft	\$ 39.99	D5
D5	D5-60	2	SL860	SL8-60 Wheel Shaft Collars	\$ 4.99	D5
D5	D5-60	1	SL860 - S	SL8-60 - S Collars (Set - 2)	\$ 8.75	D5
D5	D5-61	2	SL861	SL8-61 Rubber Wheels	\$ 22.99	D5
D5	D5-61	2	SL861 - S	SL8-61 - S Wheels (Set -2)	\$ 38.99	D5
D5	D5-62	1	SL862	SL8-62 Wheel Level Discs	\$ 41.99	D5
D5	D5-63	1	SL863	SL8-63 Wheel Shaft Washer	\$ 0.79	D5
D5	D5-64	1	SL864	SL8-64 Wheel Shaft Nut	\$ 1.09	D5
Diagram	#	QTY	Item	Dust Pan & Fasteners	List Price	Diagram
D5	D5-65	1	SL865	SL8-65 Dust Pan	\$ 53.99	D5
D5	D5-67	1	SL867	SL8-67 Dust Pan Screw	\$ 1.09	D5
D5	D5-68	2	SL868	SL8-68 Dust Pan Spring Pins	\$ 1.09	D5
D5	D5-68	1	SL868 - S	SL8-68 - S Spring Pins (Set of 2)	\$ 1.99	D5

Diagram 6



SL8-555

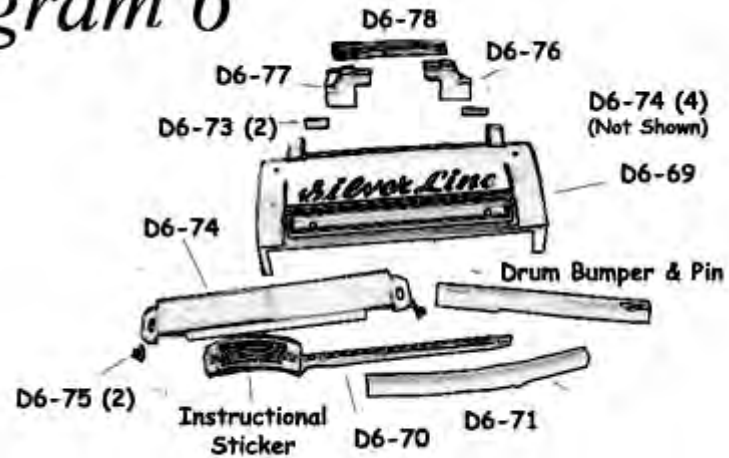


Diagram	#	QTY	Item	Drum Cover Complete SL8-555	List Price	Diagram
D6	D6-69	1	SL869	SL8-69 Drum Cover	\$ 78.99	D6
D6		1	SL869A	SL8-69A Drum Cover Guard Poly Covered (Not Shown)	\$ 12.19	D6
D6	D6-70	1	SL870	SL8-70 Bumper Pin	\$ 7.99	D6
D6	D6-71	1	SL871	SL8-71 Rubber Bumper	\$ 5.19	D6
D6		2	SL872	SL8-72 Bumper Screw (Not Shown)	\$ 0.59	D6
D6		1	SL872 - S	SL8-72 Screw s (Set - 2)	\$ 1.05	D6
D6	D6-73	2	SL873	SL8-73 Drum Cover Spring Pins	\$ 1.09	D6
D6	D6-73	1	SL873 - S	SL8-73 - S Spring Pins (Set - 2)	\$ 2.08	D6
D6	D6-74	1	SL874	SL8-74 Paper Bender	\$ 14.99	D6
D6	D6-75	2	SL875	SL8-75 Paper Bender Screw	\$ 0.59	D6
D6	D6-75	2	SL875 - S	SL8-75 - S Screws (Set - 2)	\$ 1.05	D6
D6	D6-76	1	SL876	SL8-76 Lift Handle Stud (Left)	\$ 33.99	D6
D6	D6-77	1	SL877	SL8-77 Lift Handle Stud (Right)	\$ 33.99	D6
D6	D6-78	1	SL878	SL8-78 Lift Handle Tubing	\$ 7.19	D6
D6	D6-79	4	SL879	SL8-79 Lift Handle Stud Screw (Not Shown)	\$ 0.59	D6
D6	D6-79	1	SL879 - S	SL8-79 - S Screw s (Set - 4)	\$ 2.10	D6

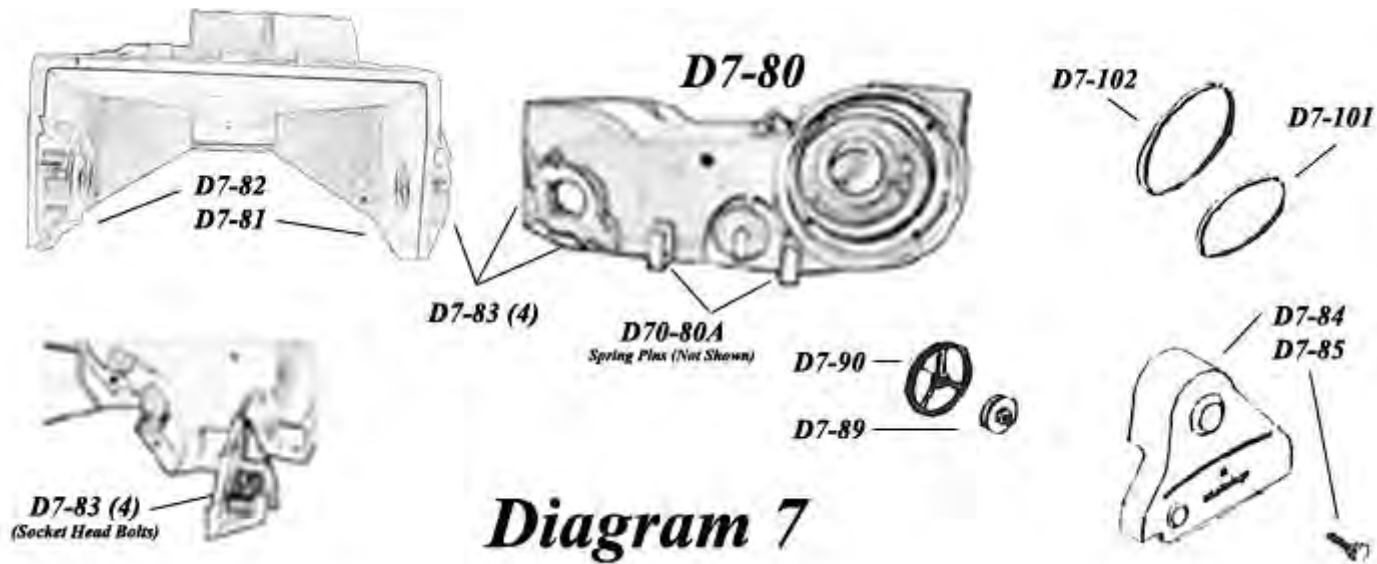


Diagram 7

Diagram	#	QTY	Item	Chassis, Belt Cover, Belts, Pulleys	List Price	Diagram
D7	D7-80	1	SL880	SL8-80 Sander Chassis W/2 End Caps	\$ 790.99	D7
D7	D7-80A	2	SL880A	SL8-80A Spring Pin (Belt Cover) (Not Shown)	\$ 1.09	D7
D7	D7-80A	1	SL880A - S	SL8-80A - S Pin (2 per Set)	\$ 2.08	D7
D7	D7-81	1	SL881	SL8-81 Drum Bearing Cap open end	\$ 38.99	D7
D7	D7-82	1	SL882	SL8-82 Drum Bearing Cap Closed end	\$ 38.99	D7
D7	D7-83	4	SL883	SL8-83 Drum Bearing Cap Screws	\$ 1.09	D7
D7	D7-83	1	SL883 - S	SL8-83 - S Screws (4 per Set)	\$ 4.10	D7
D7	D7-84	1	SL884	SL8-84 Pulley & Belt Cover	\$ 137.99	D7
D7	D7-85	1	SL885	SL8-85 Pulley Belt Lock Screw	\$ 16.99	D7
D7	D7-89	1	SL889	SL8-89 Drum Motor Pulley	\$ 53.99	D7
D7			SL889X	SL8-89X Motor Pulley (Australia) (Not Shown)	\$ 53.99	D7
D7	D7-90	1	SL890	SL8-90 Fan Motor Pulley	\$ 48.99	D7
D7	D7-101	1	SL8-101	SL8-101 Drum Belt (4L290)	\$ 9.89	D7
D7			SL8101X	SL8-101 Drum Belt (Export) (Not Shown)	\$ 9.89	D7
D7	D7-102	1	SL8102	SL8-102 Fan Belt (3L310)	\$ 9.69	D7

Diagram 8

D8-86C - Motor & Cord
(Does not include Adjusting Bracket)

D8-666 Motor Complete
(Includes Motor, Cord, Bracket & Pulleys)

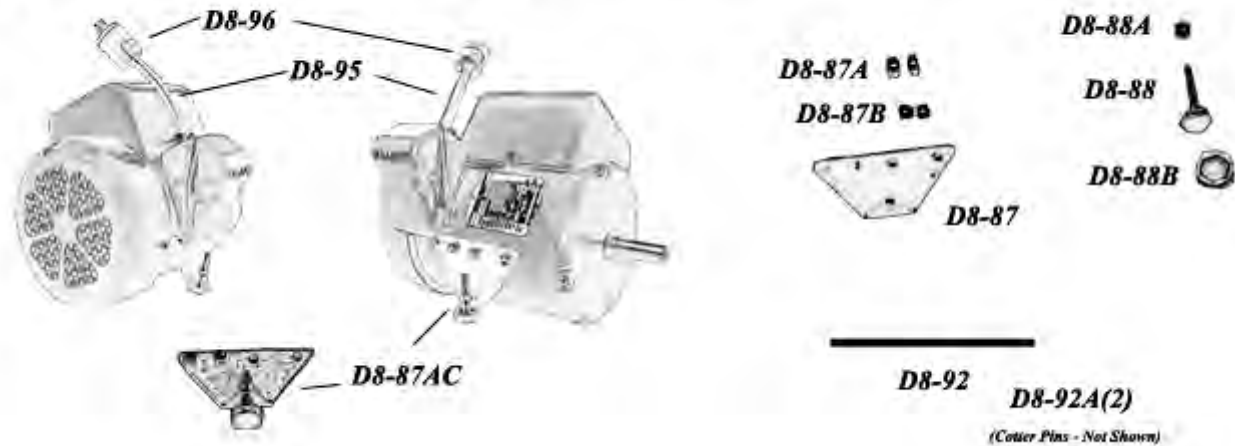


Diagram	#	QTY	Item	Motor (SL8666)	List Price	Rental Net	Diagram
D8	D8-86C	1	SL886C	SL8-86C Capacitor Motor w/Electric Plug	\$ 999.99		D8
D8	D8-87	1	SL887	SL8-87 Motor Adj. Bracket Triangle	\$ 17.99		D8
D8	D8-87A	2	SL887A	SL8-87A Motor Adj Bracket Screw	\$ 0.59		D8
D8	D8-87A	1	SL887A - S	SL8-87A - S Screw (Set - 2)	\$ 1.05		D8
D8	D8-87AC	1	SL887AC	SL8-87AC Motor Adj. Bracket Assm.Cmp.	\$ 34.99		D8
D8	D8-87B	2	SL887B	SL8-87B Motor Adj.Bracket Screw Washer	\$ 0.20		D8
D8	D8-87B	1	SL887B - S	SL8-87B - S Washer (Set - 2)	\$ 0.35		D8
D8	D8-88	1	SL888	SL8-88 Motor Adj. Screw	\$ 12.99		D8
D8	D8-88A	1	SL888A	SL8-88A Motor Adj.ScrewNut	\$ 0.49		D8
D8	D8-88B	1	SL888B	SL8-88B Cap for Motor Adj. Screw	\$ 2.69		D8
D8	D8-91	1	SL891	SL8-91 Motor Pulley Key (Not Shown)	\$ 0.49		D8
D8	D8-92	1	SL892	SL8-92 Motor Hinge Pin	\$ 8.59		D8
D8	D8-92A	2	SL892A	SL8-92A Cotter Pin (Motor) Hinge (Not Shown)	\$ 0.59		D8
D8	D8-92A	1	SL892A - S	SL8-92A - S Cotter Pins (Set - 2)	\$ 1.05		D8
D8	D8-95	1	SL895	SL8-95 Motor Cord w/Terminal	\$ 8.69		D8
D8	D8-96	1	SL896	SL8-96 Motor Cord Twist Lock (male)	\$ 14.89		D8

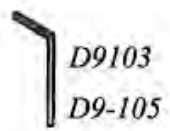
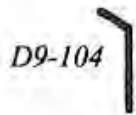
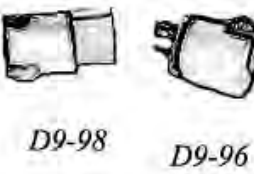
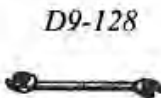
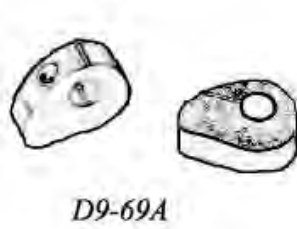


Diagram 9 Miscellaneous

Diagram	#	QTY	Item	Diagram 9 Miscellaneous Parts	List Price	
D9	D9-52	1	SL852	SL8-52 Switch	\$ 23.99	D9
D9	D9-69A	1	SL869A	SL8-69A Drum Cover Guard Poly Covered	\$ 12.99	D9
D9	D9-89	1	SL889	SL8-89 Drum Motor Pulley	\$ 53.99	D9
D9	D9-90	1	SL890	SL8-90 Fan Motor Pulley	\$ 48.99	D9
D9	D9-96	1	SL896	SL8-96 Motor Cord Twist Lock (Male) (Also SL851)	\$ 14.99	D9
D9	D9-97	1	SL897	SL8-97 Cord Complete	\$ 60.99	D9
D9	D9-98		SL898	SL8-98 Twist Lock (Female) (Also SL848)	\$ 22.99	D9
D9	D9-99		SL899	SL8-99 Straight Pin Plug (Male) (Not Shown)	\$ 12.99	D9
D9	D9-99A		SL899A	SL8-99A Straight Plug (Female) (Not Shown)	\$ 17.99	D9
D9	D9-100		SL8-100	SL8-100 25Ft.Cord Only w/male plug	\$ 45.99	D9
D9	D9-103	1	SL8103	SL8-103 Drum Cap Screw wrench	\$ 1.09	D9
D9	D9-104	1	SL8104	SL8-104 Fan Housing Screw wrench	\$ 1.09	D9
D9	D9-105	1	SL8105	SL8-105 Handle Tube Socket Wrench	\$ 1.09	D9
D9	D9-128	1	SL8-128	SL8-128 Drum Paper Wrench	\$ 6.99	D9

Diagram	#	QTY	Item	Diagram 10 Motor Parts	List Price	
D10	D10-86C CC		SL886C CC	SL8C Capacitor Cover on Motor	\$ 57.99	D10
D10	D10-86C G4		SL886C G4	SL886C G4 Gasket, Capacitor Cover	\$ 3.99	D10
D10	D10-86C R		Capacitor (R) SL886C	Run Capacitor (Silver)	\$ 62.99	D10
D10	D10-86C S		Capacitor (S) SL886C	Start Capacitor (Black)	\$ 50.99	D10
D10	D10-106		SL8106	SL8-106 Motor Cooling Fan	\$ 53.99	D10
D10	D10-106AC		SL8106AC	SL8-106A Cooling Fan Guard	\$ 55.99	D10
D10			SL8106BC	SL8-106B Cooling Fan Guard Screws (Not Shown)	\$ 0.49	D10
D10	D10-106C		SL8106C	SL8-106C Plastic Cooling Fan for Capacitor Motor	\$ 54.99	D10
D10	D10-129C		SL8129C	SL8129C Electric Box Bottom (Capacitor)	\$ 41.99	D10
D10	D10-130C		SL8130C	SL8130C Electrical Box Top (Capacitor)	\$ 46.99	D10
D10			SL8131C	SL8131C Electric Box on Capacitor Motor (Not Shown)	\$ 72.99	D10
D10	D10-131C Ad		SL8131C Adapter	SL8131C Adapter Conduit Box Adapter SL8 Capacitor Motor	\$ 72.99	D10
D10	D10-131C G1		SL8131C G1	SL8131C G1 - Gasket Electric Box Lid	\$ 9.99	D10
D10	D10-131C G2		SL8131C G2	SL8131C G2 - Gasket Electric Box to Adapter	\$ 9.99	D10
D10	D10-131C G3		SL8131C G3	SL8131C G3 - Gasket, Adaptor to Motor	\$ 9.99	D10



D10-131C G1

D10-131C AD

D10-131C G2



D10-129C

D10-131C G3

D10-130C



D10-106AC

D10-106

D10-106C



D10-86C CC

D10-86C G4

D10-86C R

D10-86C S

Diagram 10

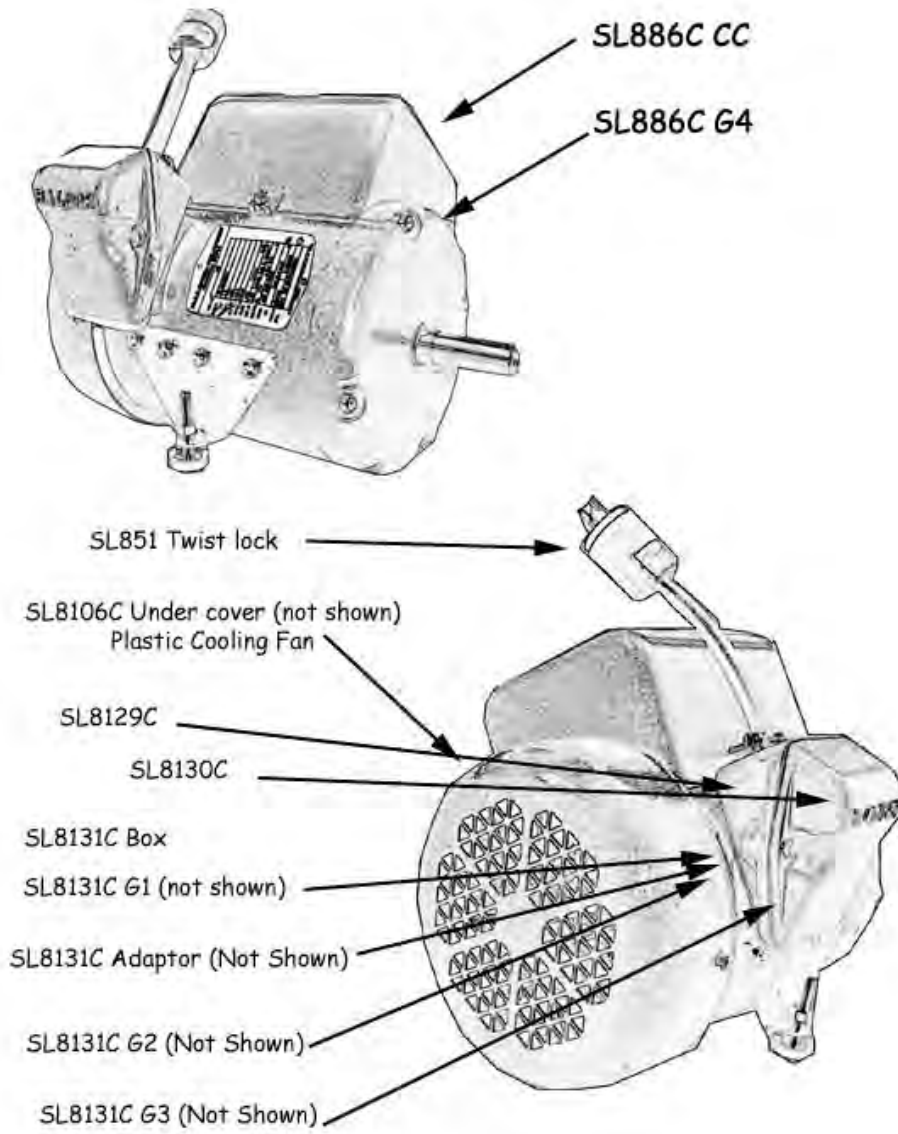


Diagram 10B

Item	Miscellaneous Parts (Not Shown)	List Price
SL8106B	SL8-106B Cooling Fan Guard Screws (I/R Motor)	\$ 0.49
SL8107	SL8-107 Motor Brushes (4/SET) (I/R Motor)	\$ 45.99
SL8107A	SL8-107A Brush Springs Only (I/R Motor)	\$ 9.99
SL8108	SL8-108 Motor Bearings (2/set) (I/R Motor)	\$ 45.99
SL8109	SL8-109 Motor Armature w/Switch & Bearings (I/R Motor)	\$ 787.99
SL8109R	SL8-109R Armature (Rebuilt/Exchange)	\$ 665.99
SL8110	SL8-110 Motor Field (I/R Motor)	\$ 612.99
SL8130	SL8-130 Electric Box (Top) Baldor (I/R Motor)	\$ 21.99
SL8123	SL8 Drum Rec/Bal #	\$ 323.99
SL8129	SL8-129 Electrical Box (Bottom) (I/R Motor)	\$ 51.99
SL8131	SL8-131 Electrical Box Complete (I/R Motor)	\$ 71.99
SL8131A	SL8-131A Motor Cord Connector (I/R Motor)	\$ 4.99
SL8131B	SL8-131B Electrical Box Gasket (I/R Motor)	\$ 4.99
SL8-132	SL8-132 Motor Brush Cover/Gasket (I/R Motor)	\$ 17.99
SL886A	SL8-86A Motor Exchange Complete	\$ 1,456.00
SL886C50HZ	SL8-86C50HZ 1HP 1460RPM 50Hz Motor	\$ 1,381.00
SL886R	SL8-86 Motor (Rebuilt)	\$ 1,381.00
SL8DMP	SL8 Export Drum Motor Pulley	\$ 54.99
SL8EDP	SL8 Export Drum Pulley	\$ 54.99
SL8ND	SL8 Drum (new)	\$ 1,148.25

**Essex Silver-Line Corporation
Limited One Year Warranty**

Essex Silver-Line Corporation warrants the floor sanding equipment for a period of one year from the date of original purchase. We will repair or replace at our option, any part or parts of the products under this warranty which examination proves to be defective in workmanship or materials during the warranty period. For repair, return machine or parts to

Essex Silver-Line Corporation transportation prepaid. This warranty does not apply to repair or replacement required due to misuse, abuse, normal wear and tear and/or repairs attempted or made by other than our service center. For the purpose of this warranty, damage resulting from accident, use of defective or inadequate wiring at the installation in which used, improper cleaning or operation, fire, floods or act of God, are not covered. No other warranty implied or expressed is offered and under no circumstances shall Essex Silver-Line Corporation be liable for an incidental or consequential damage.