



Click Here To View
Item at

www.GapPower.com

*Sales • Rentals
Parts & Service*

REVISED STARTING
SERIAL # 080810206

PARTS LIST MANUAL

Model SS20

Model
SS20-20H



Model
SS20-13H



SS20 SELF-PROPELLED CONCRETE & ASPHALT SAWS

SKU NO.	MODEL NO.	POWER OPTION
32600	SS20-20H	HONDA GASOLINE ENGINE MODEL GX620
32800	SS20-13H	HONDA GASOLINE ENGINE MODEL GX390
34600	SS20-25P	KOHLER COMMAND PROPANE ENGINE MODEL CH730



A Division of Equipment Development Company, Inc.

100 Thomas Johnson Drive, Frederick, MD 21702-4600 USA

Phone (301) 663-1600 • 1-800-638-3326

Fax (301) 663-1607 • 1-800-447-3326

Website: www.edcoinc.com

Email: sales@edcoinc.com

Printed in USA

©2008

READ AND UNDERSTAND THE OPERATORS INSTRUCTION MANUAL THOROUGHLY BEFORE ATTEMPTING TO OPERATE THIS EQUIPMENT. Death or serious injury could occur if this machine is used improperly.



SAFETY MESSAGES



The safety instructions are preceded by a graphic alert message of DANGER, WARNING, or CAUTION.

DANGER Indicates an imminent hazard which, if not avoided, will result in death or serious injury.

WARNING Indicates an imminent hazard which, if not avoided, can result in death or serious injury.

CAUTION Indicates hazards which, if not avoided, could result in serious injury and or damage to the equipment.

GASOLINE Powered Equipment



- Do not operate gasoline powered equipment without adequate ventilation. Carbon monoxide is an invisible, odorless gas that can kill.

ELECTRICAL Powered Equipment



- ELECTRICAL HAZARD** - Be sure equipment is properly grounded. Failure to comply could kill or result in serious injury.



The engine exhaust from this product contains chemicals known to the State of California to cause cancer, birth defects or other reproductive harm.

GENERAL INSTRUCTIONS



- You must read and understand the operators instruction manual and all other manuals associated with this machine. For your safety and the safety of others around you, it is extremely important to fully understand how to operate this machine in the way it was intended. Different model machines or older/newer versions of the same model may have different parts and controls that you need to understand. If instructions are not readable or available DO NOT USE this machine and contact the factory for a replacement Manual.
- You must be able to physically handle the bulk weight and power of this machine. If not properly controlled this machine can cause death or serious injury.
- Do not operate this machine in an impaired mental state. You must be able to exercise good judgement and reactions to maintain a safe working environment.
- This is a "one person" machine which means only one operator can be operating the machine at any one time. For the safety of others, maintain a safe operating distance to other personnel. Your work area should be defined and appropriately marked so bystanders and coworkers do not stand or walk near this machine and end up seriously injured by flying debris or exposing them to harmful noise or dust.
- This equipment is for Commercial use. Although this is a "one person" machine your work team should understand how to shut this machine off and quickly get medical help if an accident strikes the operator.
- Keep all guards in place during operation. The guards are to provide protection from inadvertent contact with dangerous moving parts, pinch points, or hot surfaces.
- Wear appropriate Personal Protective Equipment (PPE) including safety glasses, safety boots, work gloves, respiratory protection, hearing protection, and head protection. Do not wear loose clothing that can get tangled in moving parts. Failure to do so could result

in dismemberment or death. **Wear an approved respirator when removing hazardous materials or when grinding/cutting dry materials. Some dust particles such as concrete dust can contain silicate particles which can cause silicosis (a very serious lung disease). Contact NIOSH or OSHA for further details. When wet grinding/cutting, avoid contact with the concrete/asphalt slurry which can cause serious skin irritations.**

- You must maintain this machine per the maintenance schedule in the operator manual. Remember before adjusting, servicing, or fueling this machine, disconnect the source of power to the machine by disconnecting the spark plug (Gas models), or by unplugging the electrical power cord (electric models) or air hose (Pneumatic models) AT THE MACHINE so you can assure yourself it remains unplugged while you are working on it. Do not modify this machine. Use only genuine EDCO parts and accessories. Repairs and service should be performed by approved EDCO dealers or authorized technicians.
- You should look carefully around the area before you begin work so you can identify potential hazards such as deck inserts, pipes, columns, openings, electrical cords or outlets, or any other objects protruding from the slab surface.
- This machine has no brain so you must use your own. There is no substitute for safety. The safety decals on the machine are to serve as a reminder for information you must already know before you begin using this machine. Take a moment to reread the safety decals each time you use the machine. If your machine is missing any decals, contact the factory for a replacement (EDCO 1-800-638-3326).

PARTS LIST MANUAL

MODEL SS20

<u>Section</u>	<u>Page Number</u>
Safety Messages and General Instructions	2
How To Order Replacement Parts	3
Illustration 1: Frame Grouping	4,5
Illustration 2: Arbor & 20" Blade Guard Grouping	6,7
Illustration 3: Arbor & 16" Blade Guard Grouping	8, 9
Illustration 4: Transmission Grouping	10,11
Illustration 5: Engine Grouping for Honda GX620	12,13
Illustration 6: Engine Grouping for Honda GX390	14,15
Illustration 7: Engine Grouping for Kohler Command CH720	16,17
Illustration 8: Belt Drive Grouping	18,19
Illustration 9: Blade Depth Gauge Grouping	20,21
Illustration 10: Optional Water Pump Kit	22,23
Illustration 11: SS20-20H Wiring Diagram	24,25
Illustration 12: SS20-13H Wiring Diagram	26
Illustration 13: SS20-25P Wiring Diagram	27
Limited Equipment Warranty of Sale - Terms & Conditions	Back Page

HOW TO ORDER REPLACEMENT PARTS

- To insure product safety and reliability, always use genuine EDCO replacement parts when making repairs to the equipment.
- When calling for parts, specify the MODEL and SERIAL number of the machine, which can be found on the NAME PLATE. Keep that information in the space provided. In addition to this information, give part number, description, and quantity as listed on the parts list to your parts representative.
- Please note: Due to improvements and changes in the equipment, the illustrations shown may be different than the actual machine.

FILL IN INFORMATION BELOW

Date of Purchase _____

Model # _____

Serial # _____

SKU # _____



A Division of Equipment Development Company, Inc.

100 Thomas Johnson Drive, Frederick, MD 21702-4600 USA

Phone (301) 663-1600 • 1-800-638-3326

Fax (301) 663-1607 • 1-800-447-3326

Website: www.edcoinc.com

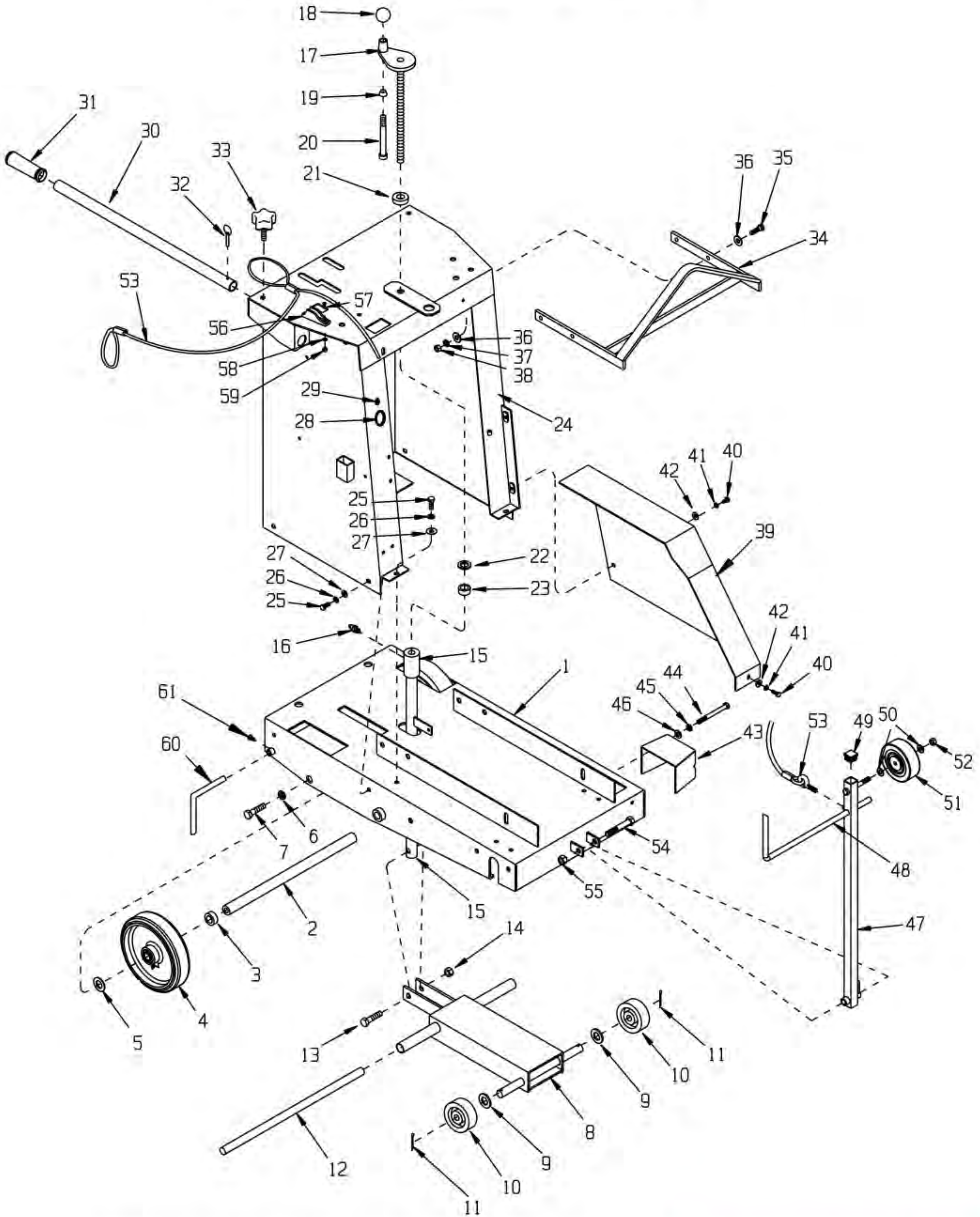
Email: sales@edcoinc.com

Printed in USA

©2008

Page 3

ILLUSTRATION 1: FRAME GROUPING



PARTS LISTING - ILLUSTRATION 1: FRAME GROUPING

ITEM #	PART #	DESCRIPTION	QTY.	ITEM #	PART #	DESCRIPTION	QTY.
1	51290	MAIN FRAME	1	32	10145	PIN, DETENT RING 3/16 X 1-5/16 E.L.	2
2	51267	AXLE 3/4DIA. X 17-3/8L	1	33	51230	KNOB, STAR CLAMPING 3/8-16 X 1"STD	2
3	10428	COLLAR, LOCKING 3/4"ID	2	34	51204	BAIL, LIFTING, SS-20	1
4	51263	WHEEL 8 X 2 X 3/4"BRG, SBR RUBBER	2	35	10021	SCREW, CAP 3/8-24 X 1	4
5	11597	WASHER .755"ID X 1.25"OD X .060"THK	2	36	10025	WASHER, FLAT 3/8 SAE	8
6	10045	WASHER, LOCK 1/2	2	37	10811	WASHER, LOCK 3/8	4
7	10304	SCREW, CAP 1/2-20 X 1	2	38	10014	NUT 3/8-24	4
8	51291	FORK W/ PIVOT TUBE	1	39	51205	COVER, BELT, SS-20 HONDA	1
9	10009	WASHER, FLAT 3/4 SAE	2		51205K	COVER, BELT, SS-20 KOHLER	1
10	52001	WHEEL 4 X 1-1/2 X 3/4"BRG.	2	40	10018	SCREW, CAP 1/4-20 X 3/4	3
11	10306	PIN, COTTER 3/16 X 1-1/2	2	41	10038	WASHER, LOCK 1/4	3
12	51219	SHAFT 3/4"DIA. X 19"L	1	42	10602	WASHER, FLAT 1/4 SAE	3
13	10347	SCREW, CAP 1/2-20 X 2-1/4	1	43	51206	COVER, ARBOR	1
14	10154	NUT, HEX NYLON LOCK 1/2-20	1	44	10318	SCREW, CAP 3/8-16 X 3-3/4	2
15	51220	LINKAGE, CUT CONTROL	1	45	10811	WASHER, LOCK 3/8	2
16	10808	FITTING, GREASE 1/4-28 STRAIGHT	1	46	10025	WASHER, FLAT 3/8 SAE	2
17	51075	HANDWHEEL, LRG. W/ 5/8-8 X 13"ROD	1	47	56304	GUIDE BAR	1
18	14023	KNOB, BALL 1-3/8 W/ 1/2-13THD, BLK.	1	48	51012	GUIDE POINTER, FRONT	1
19	50550	SLEEVE F/ 1/2" CAPSCREW, TAPERED	1	49	51078	PLUG, SQ. TUBE 1 X 14 GA., BLACK	1
20	10346	SCREW, SKT. HD. CAP 1/2-13 X 4-1/2	1	50	10025	WASHER, FLAT 3/8 SAE	2
21	85005	BEARING, THRUST BALL 5/8	1	51	50024	WHEEL 4 X 1-3/8 X 3/8"BORE	1
22	10073	WASHER, FLAT 5/8 SAE	1	52	10156	NUT, HEX NYLON LOCK 3/8-16	1
23	10096	COLLAR, LOCKING 5/8"ID	1	53	51260	ROPE, GUIDE BAR, SS-20	1
24	51203	CONSOLE, SS-20	1	54	10499	SCREW, CAP 1/2-13 X 3	1
25	10053	SCREW, CAP 5/16-18 X 3/4	8	55	10155	NUT, HEX NYLON LOCK 1/2-13	1
26	10801	WASHER, LOCK 5/16	8	56	11591	ROPE CLEAT, NYLON JAM 3/16"-5/16"	1
27	10213	WASHER, FLAT 5/16 SAE	8	57	11594	SCREW, MACHINE 10-32 X 5/8, SLT.FLT	2
28	51253	GROMMET 1-45/64ID X 1/8GRV. X 2GD	1	58	10831	WASHER, LOCK, INT. TOOTH #10	2
29	57148	GROMMET 3/8ID X 1/8GRV. X 5/8GD	1	59	10832	NUT, KEPS 10-32	2
30	51024	HANDLE BAR 24", ZINC PLATED	2	60	51011	GUIDE POINTER, REAR	1
31	10608	GRIP, HAND 1" MODEL AT	2	61	10834	SCREW, CAP 1/4-20 X 1/2	1



A Division of Equipment Development Company, Inc.

100 Thomas Johnson Drive, Frederick, MD 21702-4600 USA

Phone (301) 663-1600 • 1-800-638-3326

Fax (301) 663-1607 • 1-800-447-3326

Website: www.edcoinc.com

Email: sales@edcoinc.com

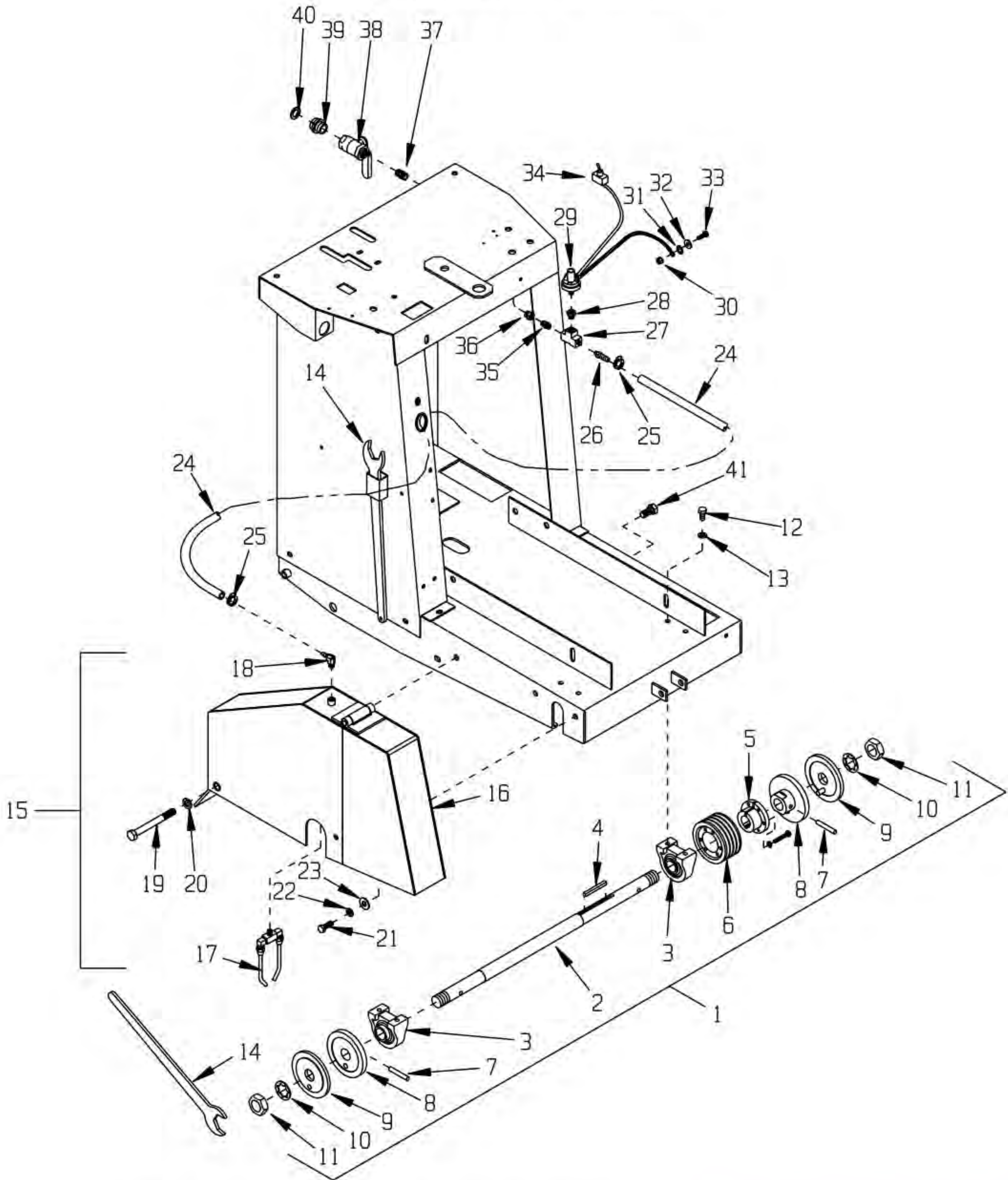
Printed in USA

©2008

Page 5

ILLUSTRATION 2 : ARBOR & 20" BLADE GUARD GROUPING

MODELS SS20-20H & SS20-25P



PARTS LISTING - ILLUSTRATION 2 : ARBOR & 20" BLADE GUARD GROUPING			
ITEM #	PART #	DESCRIPTION	QTY.
1	56208C	ARBOR ASSY. W/ 4 GROOVE SHEAVE (INCLUDES ITEMS 2 THRU 11)	1
2	56208	ARBOR SHAFT 23-3/8"L	1
3	50222	BEARING, BALL 1" TPB	2
4	10071	KEY 1/4SQ X 2-1/2	1
5	10076	BUSHING, SHEAVE SH X 1"BORE	1
6	10504	SHEAVE 3.65"OD X 4GR.3V X SH	1
7	10211	PIN, ROLL 5/16 X 2	2
8	56026	ARBOR BACKING PLATE 4"	2
9	56025	ARBOR BLADE CAP 4"OD W/1"HOLE	2
10	55009	WASHER, LOCK, INT. TOOTH 1"	2
11	50019	NUT, JAM 1-14	2
12	10907	SCREW, CAP 3/8-16 X 3/4	4
13	10811	WASHER, LOCK 3/8	4
14	50445	WRENCH, ARBOR, 1-1/2" OPEN END	2
15	51292C	BLADE GUARD ASSEMBLY 20" (INCLUDES ITEMS 16, 17, AND 18)	1
16	51292	BLADE GUARD 20"	1
17	51026	NOZZLE, COOLANT 1/8MPT W/ 6"TUBES	1
18	11562	BARB ELBOW 90, 3/8HOSE X 1/8MPT	1
19	10409	SCREW, CAP 1/2-20 X 4-1/2	1
20	10045	WASHER, LOCK 1/2	1
21	10055	SCREW, CAP 3/8-16 X 1	1
22	10811	WASHER, LOCK 3/8	1
23	10025	WASHER, FLAT 3/8 SAE	1
24	51222	HOSE, WATER 3/8"ID X 46"L	1
25	50069	CLAMP, HOSE, SAE #6, ADJ. TO 13/16	2
26	50075	BARB, 3/8 HOSE X 1/4MPT (BRASS)	1
27	10719	PIPE TEE, FEMALE 1/4 NPT (BRASS) (GASOLINE & PROPANE ONLY)	1
28	10718	BUSHING, HEX 1/4 X 1/8 NPT (BRASS) (GASOLINE & PROPANE ONLY)	1
29	51030	SWITCH, PRESSURE, MAG. IGN., N.C. (GASOLINE & PROPANE ONLY)	1
30	10861	NUT, KEPS 1/4-20 (GASOLINE & PROPANE ONLY)	1
31	10451	WASHER, LOCK, INT. TOOTH 1/4" (GASOLINE & PROPANE ONLY)	1
32	10602	WASHER, FLAT 1/4 SAE (GASOLINE & PROPANE ONLY)	1
33	10018	SCREW, CAP 1/4-20 X 3/4 (GASOLINE & PROPANE ONLY)	1
34	10633	SWITCH, TOGGLE SPST 15/10A-115/250V (GASOLINE & PROPANE ONLY)	1
35	10717	NIPPLE, HEX 1/4 NPT (BRASS) (GASOLINE & PROPANE ONLY)	1
36	51236	BUSHING, HEX 1/2 X 1/4 NPT (BRASS)	1
37	10679	NIPPLE, HEX 1/2NPT (BRASS)	1
38	10711	VALVE, BALL 1/2 FPT	1
39	80021	CONN., SWIVEL FEM. 3/4HOSE X 1/2MPT (INCLUDES WASHER, ITEM #40)	1
40	10070	WASHER, HOSE 3/4	1
41	10304	SCREW, CAP 1/2-20 X 1	1



A Division of Equipment Development Company, Inc.

100 Thomas Johnson Drive, Frederick, MD 21702-4600 USA

Phone (301) 663-1600 • 1-800-638-3326

Fax (301) 663-1607 • 1-800-447-3326

Website: www.edcoinc.com

Email: sales@edcoinc.com

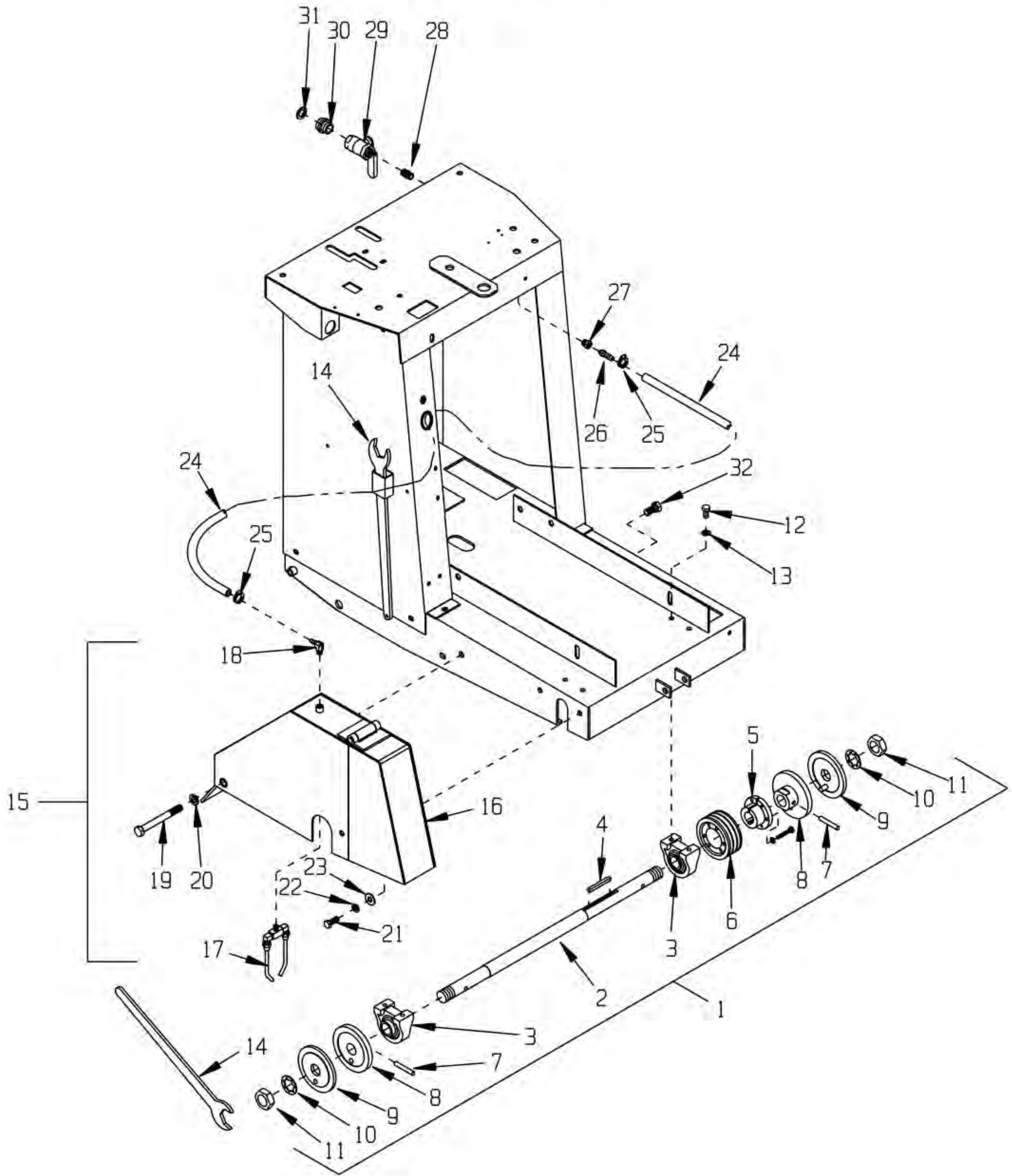
Printed in USA

©2008

Page 7

ILLUSTRATION 3 : ARBOR & 16" BLADE GUARD GROUPING

MODEL SS20-13H



PARTS LISTING - ILLUSTRATION 3 : ARBOR & 16" BLADE GUARD GROUPING			
ITEM #	PART #	DESCRIPTION	QTY.
1	56208B	ARBOR ASSY. W/ 3 GROOVE SHEAVE (INCLUDES ITEMS 2 THRU 11)	1
2	56208	ARBOR SHAFT 23-3/8"L	1
3	50222	BEARING, BALL 1" TPB	2
4	10071	KEY 1/4SQ X 2-1/2	1
5	10076	BUSHING, SHEAVE SH X 1"BORE	1
6	10539	SHEAVE 3.65"OD X 3GR.3V X SH	1
7	10211	PIN, ROLL 5/16 X 2	2
8	56026	ARBOR BACKING PLATE 4"	2
9	56025	ARBOR BLADE CAP 4"OD W/1"HOLE	2
10	55009	WASHER, LOCK, INT. TOOTH 1"	2
11	50019	NUT, JAM 1-14	2
12	10907	SCREW, CAP 3/8-16 X 3/4	4
13	10811	WASHER, LOCK 3/8	4
14	50445	WRENCH, ARBOR, 1-1/2" OPEN END	2
15	51293C	BLADE GUARD ASSEMBLY 16" (INCLUDES ITEMS 16, 17, AND 18)	1
16	51293	BLADE GUARD 16"	1
17	51026	NOZZLE, COOLANT 1/8MPT W/ 6" TUBES	1
18	11562	BARB ELBOW 90, 3/8HOSE X 1/8MPT	1
19	10409	SCREW, CAP 1/2-20 X 4-1/2	1
20	10045	WASHER, LOCK 1/2	1
21	10055	SCREW, CAP 3/8-16 X 1	1
22	10811	WASHER, LOCK 3/8	1
23	10025	WASHER, FLAT 3/8 SAE	1
24	51222	HOSE, WATER 3/8"ID X 46"L	1
25	50069	CLAMP, HOSE, SAE #6, ADJ. TO 13/16	2
26	50075	BARB, 3/8 HOSE X 1/4MPT (BRASS)	1
27	51236	BUSHING, HEX 1/2 X 1/4 NPT (BRASS)	1
28	10679	NIPPLE, HEX 1/2NPT (BRASS)	1
29	10711	VALVE, BALL 1/2 FPT	1
30	80021	CONN., SWIVEL FEM. 3/4HOSE X 1/2MPT (INCLUDES WASHER, ITEM #40)	1
31	10070	WASHER, HOSE 3/4	1
32	10304	SCREW, CAP 1/2-20 X 1	1



A Division of Equipment Development Company, Inc.

100 Thomas Johnson Drive, Frederick, MD 21702-4600 USA

Phone (301) 663-1600 • 1-800-638-3326

Fax (301) 663-1607 • 1-800-447-3326

Website: www.edcoinc.com

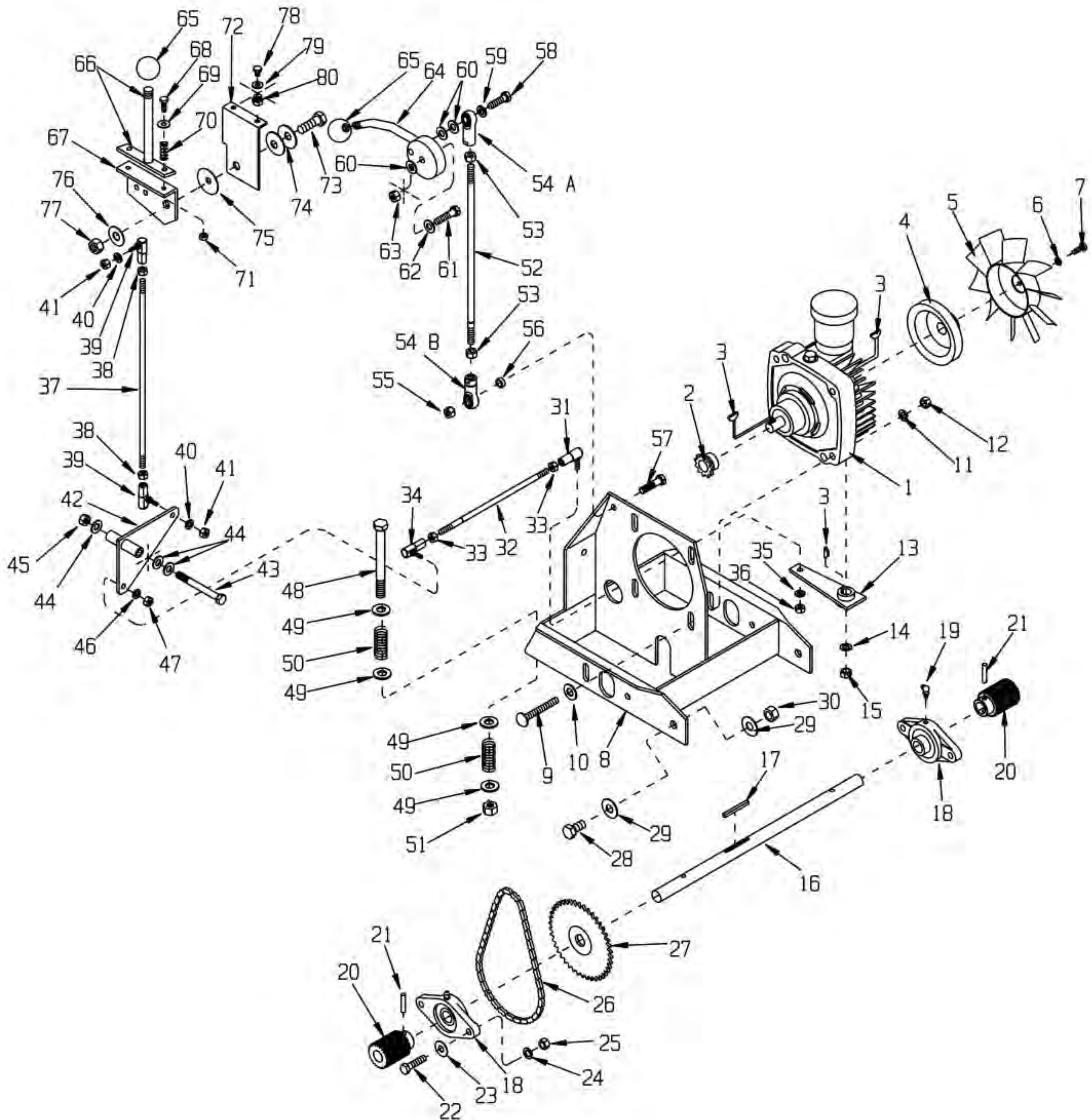
Email: sales@edcoinc.com

Printed in USA

©2008

Page 9

ILLUSTRATION 4: TRANSMISSION GROUPING



PARTS LISTING - ILLUSTRATION 4: TRANSMISSION GROUPING

ITEM #	PART #	DESCRIPTION	QTY.	ITEM #	PART #	DESCRIPTION	QTY.
1	50061	TRANSMISSION, HYDROSTATIC	1	42	51214	BELL CRANK, DRIVE LINKAGE	1
2	50048	SPROCKET #3511 X .67"BORE	1	43	10382	SCREW, CAP 3/8-24 X 3-1/2	1
3	50071	KEY, WOODRUFF 1/8 X 1/2 (#404)	3	44	10025	WASHER, FLAT 3/8 SAE	3
4	50062	SHEAVE, TRANS. 4"OD X 1GR. X .671"B	1	45	10004	NUT, LOCK 3/8-24	1
5	50266	FAN BLADE W/ PLATE 7", TRANS.	1	46	10801	WASHER, LOCK 5/16	1
6	10038	WASHER, LOCK 1/4	1	47	10424	NUT 5/16-24	1
7	10018	SCREW, CAP 1/4-20 X 3/4	1	48	10376	SCREW, CAP 1/2-13 X 5	2
8	51209	MOUNT, TRANSMISSION	1	49	10312	WASHER, FLAT 1/2 SAE	8
9	10909	BOLT, CARRIAGE 3/8-16 X 3 FULL THD.	4	50	51035	SPRING, COMP. .828"OD X 2"FL	4
10	10040	WASHER, GARRET 17/32 X 1 X .054	4	51	10407	NUT, LOCK 1/2-13	2
11	10811	WASHER, LOCK 3/8	4	52	51216	LINKAGE, ROD 3/8 X 13"L	1
12	10404	NUT 3/8-16	4	53	10014	NUT 3/8-24	2
13	51223	TRANS. CONTROL ARM	1	54 A	10919	ROD END, FEMALE 3/8-24 R.H. THREAD	1
14	10811	WASHER, LOCK 3/8	1	54 B	10919L	ROD END, FEMALE 3/8-24 L.H. THREAD	1
15	10404	NUT 3/8-16	1	55	10004	NUT, LOCK 3/8-24	1
16	51217	JACKSHAFT 3/4 X 17	1	56	10113	SPACER, STEEL 9/16OD X 3/8ID X 7/32	1
17	10168	KEY 3/16SQ X 2	1	57	10309	SCREW, CAP 3/8-24 X 1-1/4 PLATED	1
18	50049	BEARING, BALL 3/4" 2-HOLE FLANGE	2	58	10309	SCREW, CAP 3/8-24 X 1-1/4 PLATED	1
19	10961	FITTING, GREASE 1/4-28 X 90°	1	59	10811	WASHER, LOCK 3/8	1
20	51264	DRIVER, REAR WHEEL, 1-5/8"OD 25T	2	60	10025	WASHER, FLAT 3/8 SAE	3
21	10024	PIN, ROLL 1/4 X 1 1/4	2	61	10816	SCREW, CAP 3/8-24 X 1-1/2	1
22	10309	SCREW, CAP 3/8-24 X 1-1/4 PLATED	4	62	10025	WASHER, FLAT 3/8 SAE	2
23	10025	WASHER, FLAT 3/8 SAE	4	63	10004	NUT, LOCK 3/8-24	1
24	10811	WASHER, LOCK 3/8	4	64	51215	LEVER, CLUTCH	1
25	10014	NUT 3/8-24	4	65	14023	KNOB, BALL 1-3/8 W/ 1/2-13THD, BLK.	2
26	51266	CHAIN #35 X 24-1/2 + OL + CL	1	66	51210	LEVER, DRIVE	1
27	51265	SPROCKET #35B54 X 3/4"BORE W/ KW	1	67	51235	PLATE, DRIVE LEVER PRESSURE	1
28	10304	SCREW, CAP 1/2-20 X 1	1	68	10315	SCREW, CAP 1/4-20 X 1-1/2	2
29	10312	WASHER, FLAT 1/2 SAE	2	69	10602	WASHER, FLAT 1/4 SAE	2
30	10205	NUT, LOCK 1/2-20	1	70	57471	SPRING, COMP. .468"OD X 1.25"FL	2
31	10840	BALL JOINT ASSY. 5/16-24 R.H. THRD.	1	71	10015	NUT, LOCK 1/4-20	2
32	51213	LINKAGE, ROD 5/16 X 9"L	1	72	51211	MOUNT BRKT., DRIVE LEVER	1
33	10424	NUT 5/16-24	1	73	10321	SCREW, CAP 1/2-20 X 1-1/4	1
34	10840L	BALL JOINT ASSY. 5/16-24 L.H. THRD.	1	74	10426	WASHER, BELLEVILLE 1/2ID X 3/64THK	2
35	10801	WASHER, LOCK 5/16	1	75	50428	WASHER, FIBER 2-1/4OD X 1/2ID X 1/8	1
36	10424	NUT 5/16-24	1	76	10312	WASHER, FLAT 1/2 SAE	1
37	51212	LINKAGE, ROD 5/16 X 13"L	1	77	10205	NUT, LOCK 1/2-20	1
38	10424	NUT 5/16-24	2	78	10018	SCREW, CAP 1/4-20 X 3/4	2
39	10840	BALL JOINT ASSY. 5/16-24 R.H. THRD.	2	79	10602	WASHER, FLAT 1/4 SAE	2
40	10801	WASHER, LOCK 5/16	2	80	10150	NUT, HEX NYLON LOCK 1/4-20	2
41	10424	NUT 5/16-24	2				



A Division of Equipment Development Company, Inc.

100 Thomas Johnson Drive, Frederick, MD 21702-4600 USA

Phone (301) 663-1600 • 1-800-638-3326

Fax (301) 663-1607 • 1-800-447-3326

Website: www.edcoinc.com

Email: sales@edcoinc.com

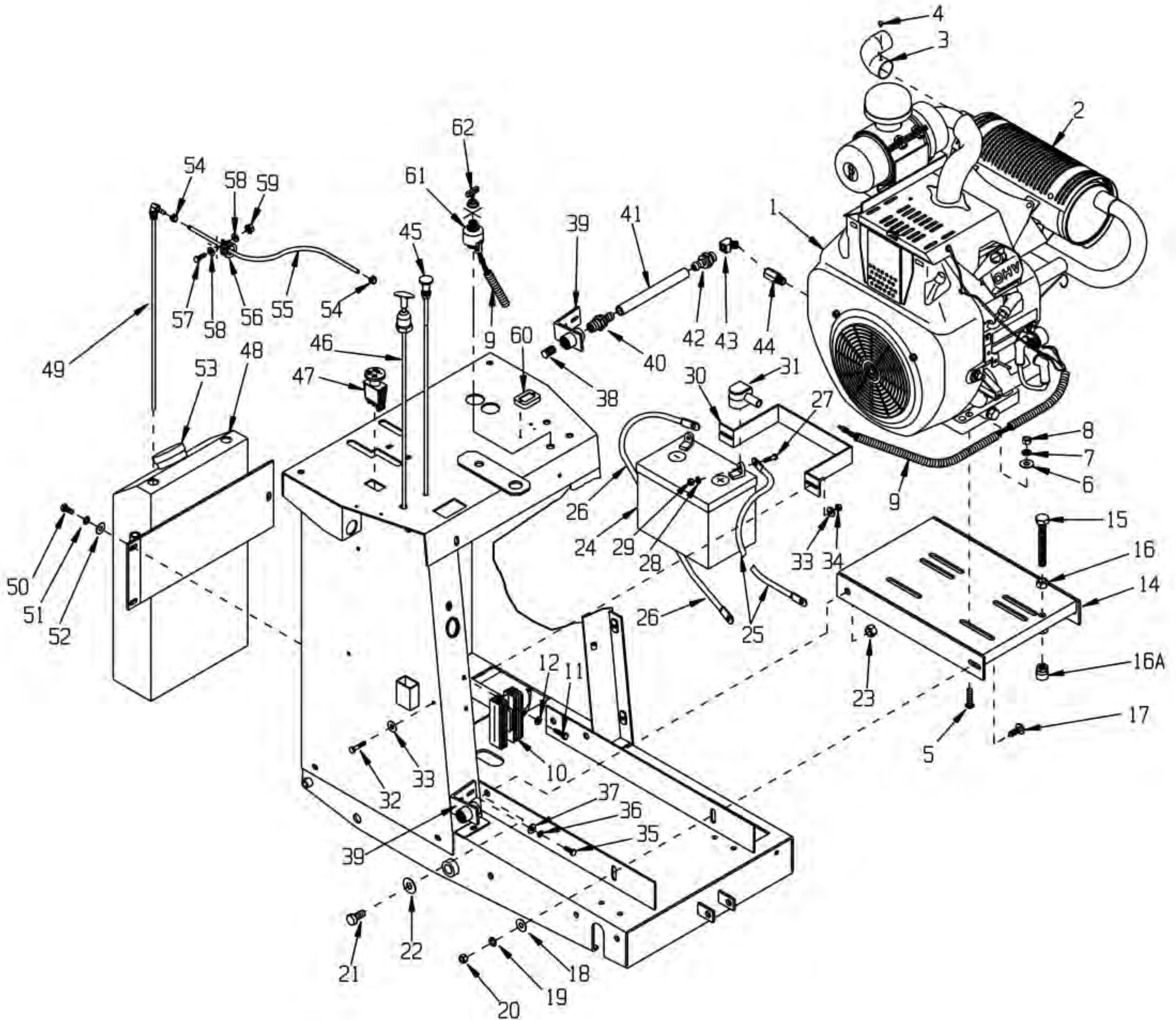
Printed in USA

©2008

Page 11

ILLUSTRATION 5 : ENGINE GROUPING FOR HONDA GX620

MODEL SS20-20H



**PARTS LISTING - ILLUSTRATION 5:
ENGINE GROUPING FOR HONDA GX620 GASOLINE**

ITEM #	PART #	DESCRIPTION	QTY.	ITEM #	PART #	DESCRIPTION	QTY.
1	15056	ENGINE, HONDA GX620U1-TXF2	1	31	11583	INSULATOR, BAT.TERM. U-1 STYLE(REDF)	1
	15135	SERVICE REPLACEMENT PARTS:		32	10905	SCREW, CAP 1/4-20 X 1-1/4	2
	15145	ELEMENT, AIR FILTER		33	10602	WASHER, FLAT 1/4 SAE	4
	15146	FILTER, OIL		34	10150	NUT, HEX NYLON LOCK 1/4-20	2
		FILTER, FUEL		35	10018	SCREW, CAP 1/4-20 X 3/4	2
2	15168	MUFFLER, HONDA VHRM3	1	36	10038	WASHER, LOCK 1/4	2
3	51224	ELBOW, SOLDER JOINT 1-1/4 X 90°	1	37	10602	WASHER, FLAT 1/4 SAE	2
4	10877	SCREW, CAP STSHW 10-24 X 1/2	1	38	50552	PIPE PLUG 1/2 NPT (BRASS)	1
5	10087	BOLT, CARRIAGE 3/8-16 X 1-3/4 F.T.	4	39	57159	BRACKET, OIL DRAIN	1
6	10025	WASHER, FLAT 3/8 SAE	4	40	80061	BARB, PUSH-ON 1/2HOSE X 1/2MPT	1
7	10811	WASHER, LOCK 3/8	4	41	51237	HOSE, PUSH-ON 1/2"ID X 7"L	1
8	10404	NUT 3/8-16	4	42	11579	BARB, PUSH-ON 1/2HOSE X 1/4 MPT	1
9	51242	LOOM, FLEX 5/8 X 55"L	1	43	10716	ELBOW, STREET 1/4NPT X 45 (BRASS)	1
10	-----	RECTIFIER/REGULATOR (INCLUDED W/ ENGINE)		44	11533	FITTING,ADPTR 6-M14X1.5 TO1/4-18MPT	1
11	10031	SCREW, CAP 1/4-20 X 1	2	45	15129	CABLE, CHOKE CONTROL 72" (CUT TO 36")	1
12	10038	WASHER, LOCK 1/4	4	46	51081	CABLE, TURN-TO-LOCK CONTROL 72" (CUT TO 36")	1
13	-----	NO ITEM	-	47	51225	SWITCH, EMERGENCY STOP	1
14	51208	MOUNT, ENGINE	1	48	51221	TANK, FUEL 3 GAL	1
15	10392	BOLT, TAP 1/2-13 X 4 (FULL THREAD)	1	49	61058	TUBE, FUEL PICK-UP 19"	1
16	10417	NUT 1/2-13	1	50	10053	SCREW, CAP 5/16-18 X 3/4	3
17	10802	BOLT, CARRIAGE 3/8-16 X 1 FULL THD.	2	51	10801	WASHER, LOCK 5/16	3
18	10025	WASHER, FLAT 3/8 SAE	2	52	10213	WASHER, FLAT 5/16 SAE	3
19	10811	WASHER, LOCK 3/8	2	53	61056	CAP, FUEL TANK	1
20	10404	NUT 3/8-16	2	54	10762	CLAMP, HOSE SPRING-TYPE 3/8" GREEN	2
21	10304	SCREW, CAP 1/2-20 X 1	2	55	51273	HOSE, FUEL 1/4"ID X 25"L	1
22	10312	WASHER, FLAT 1/2 SAE	2	56	11565	CLAMP, LOOM, 5/8" (SAE SIZE 10)	1
23	10205	NUT, LOCK 1/2-20	2	57	10018	SCREW, CAP 1/4-20 X 3/4	1
24	84011	BATTERY 12 VOLT/300 CCA	1	58	10602	WASHER, FLAT 1/4 SAE	2
25	61064	CABLE, EYE-EYE 4GA. X 40" (RED)	1	59	10861	NUT, KEPS 1/4-20	1
26	51233	CABLE, EYE-EYE 6GA. X 20" (BLACK)	1	60	15138	METER, HOUR, REDINGTON INDUCTIVE	1
27	10818	BOLT, CARRIAGE 5/16-18 X 3/4 F.T.	2	61	15163	SWITCH ASSY., IGNITION (INCLUDED WITH ENGINE, ITEM 1)	1
28	10801	WASHER, LOCK 5/16	2	62	15137	KEY REPLACEMENT, IGNITION	
29	10054	NUT 5/16-18	2				
30	50091	CLAMP, BATTERY HOLD DOWN	1				



A Division of Equipment Development Company, Inc.

100 Thomas Johnson Drive, Frederick, MD 21702-4600 USA

Phone (301) 663-1600 • 1-800-638-3326

Fax (301) 663-1607 • 1-800-447-3326

Website: www.edcoinc.com

Email: sales@edcoinc.com

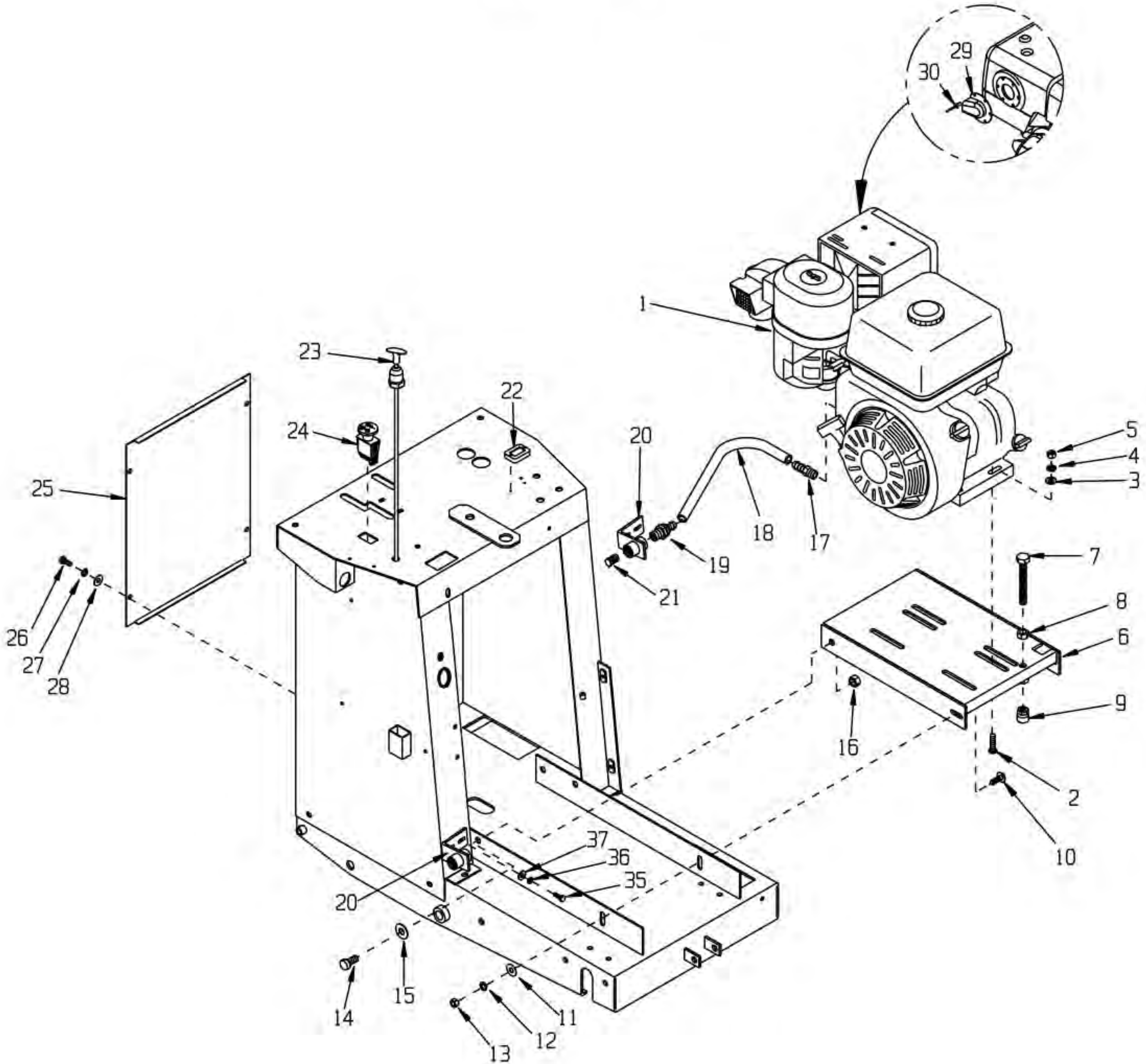
Printed in USA

©2008

Page 13

ILLUSTRATION 6: ENGINE GROUPING FOR HONDA GX390

MODEL SS20-13H



PARTS LISTING - ILLUSTRATION 6: ENGINE GROUPING FOR HONDA GX390			
ITEM #	PART #	DESCRIPTION	QTY.
1	15029	ENGINE, HONDA GX390U1-QXC9 CYC.A.C.	1
2	10087	BOLT, CARRIAGE 3/8-16 X 1-3/4 F.T.	4
3	10025	WASHER, FLAT 3/8 SAE	4
4	10811	WASHER, LOCK 3/8	4
5	10404	NUT 3/8-16	4
6	51208	MOUNT, ENGINE	1
7	10392	BOLT, TAP 1/2-13 X 4 (FULL THREAD)	1
8	10417	NUT 1/2-13	1
9	50710	TOGGLE PAD 7/8"D X 15/16"H X 1/2-13	1
10	10802	BOLT, CARRIAGE 3/8-16 X 1 FULL THD.	2
11	10025	WASHER, FLAT 3/8 SAE	2
12	10811	WASHER, LOCK 3/8	2
13	10404	NUT 3/8-16	2
14	10304	SCREW, CAP 1/2-20 X 1	2
15	10312	WASHER, FLAT 1/2 SAE	2
16	10205	NUT, LOCK 1/2-20	2
17	11542	BARB, PUSH-ON 3/8HOSE X 12MM X 1.50	1
18	51294	HOSE, PUSH-ON 1/2"ID X 10"L	1
19	80061	BARB, PUSH-ON 1/2HOSE X 1/2MPT	1
20	57159	BRACKET, OIL DRAIN	1
21	50552	PIPE PLUG 1/2 NPT (BRASS)	1
22	15138	METER, HOUR, REDINGTON INDUCTIVE (OPTIONAL)	1
23	51081	CABLE, TURN-TO-LOCK CONTROL 72" (CUT TO 23")	1
24	51225	SWITCH, EMERGENCY STOP	1
25	51304	GUARD, CONSOLE REAR	1
26	10018	SCREW, CAP 1/4-20 X 3/4	4
27	10038	WASHER, LOCK 1/4	4
28	10602	WASHER, FLAT 1/4 SAE	4
29	10625	MUFFLER CAP, HONDA #18331-ZE3-811	1
30	10128	RIVET, BLIND 1/8 X .250L X .262HD	2



A Division of Equipment Development Company, Inc.

100 Thomas Johnson Drive, Frederick, MD 21702-4600 USA

Phone (301) 663-1600 • 1-800-638-3326

Fax (301) 663-1607 • 1-800-447-3326

Website: www.edcoinc.com

Email: sales@edcoinc.com

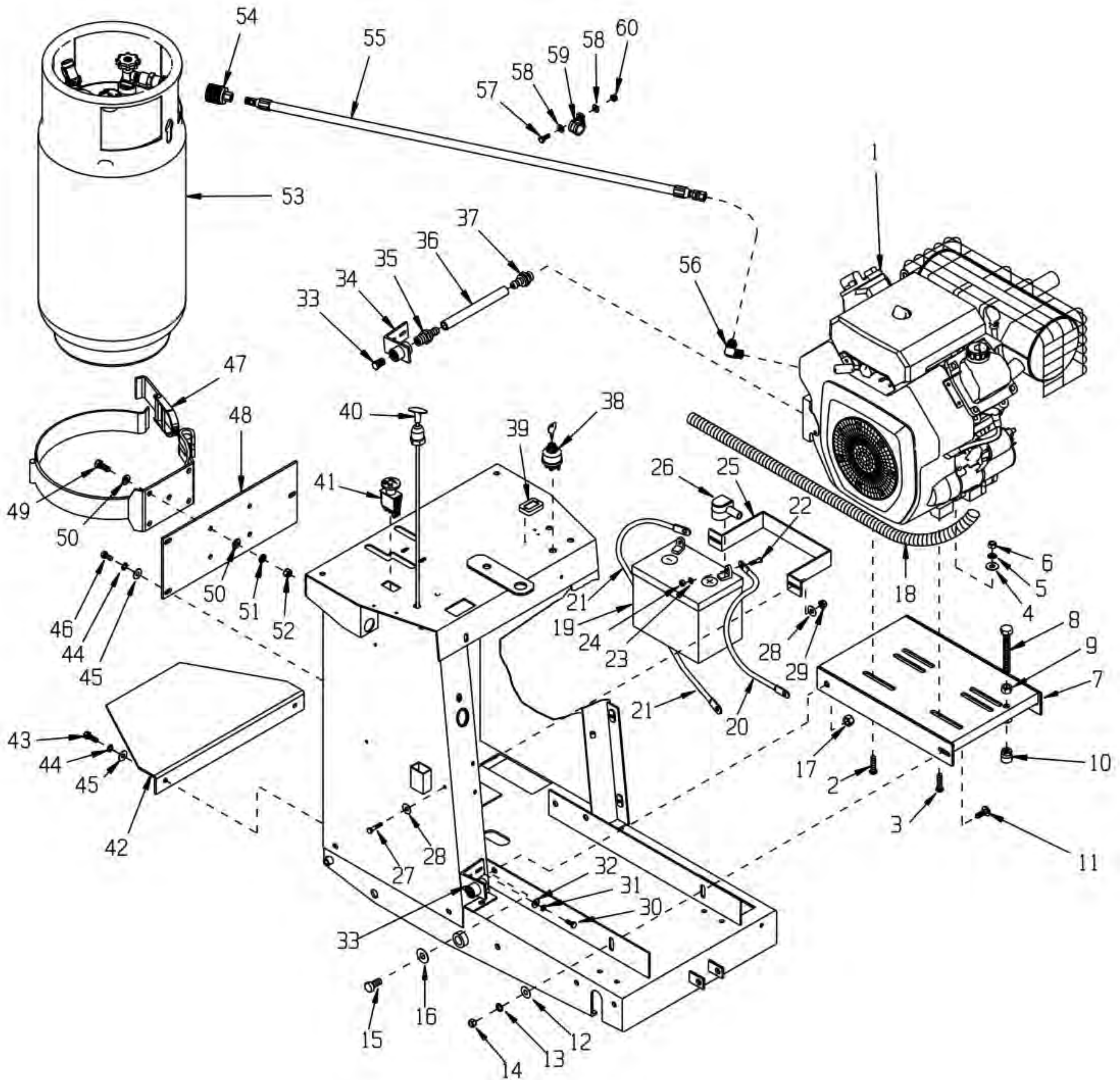
Printed in USA

©2008

Page 15

ILLUSTRATION 7: ENGINE GROUPING FOR
KOHLER COMMAND CH730 PROPANE

MODEL SS20-25P



**PARTS LISTING - ILLUSTRATION 7:
ENGINE GROUPING FOR KOHLER COMMAND CH730 PROPANE**

ITEM #	PART #	DESCRIPTION	QTY.	ITEM #	PART #	DESCRIPTION	QTY.
1	15058	ENGINE, KOHLER 25HP COMMAND PROPANE	1	31	10038	WASHER, LOCK 1/4	2
2	10917	BOLT, CARRIAGE 3/8-16 X 2	1	32	10602	WASHER, FLAT 1/4 SAE	2
3	10087	BOLT, CARRIAGE 3/8-16 X 1-3/4 F.T.	3	33	50552	PIPE PLUG 1/2 NPT (BRASS)	1
4	10025	WASHER, FLAT 3/8 SAE	4	34	57159	BRACKET, OIL DRAIN	1
5	10811	WASHER, LOCK 3/8	4	35	80061	BARB, PUSH-ON 1/2HOSE X 1/2MPT	1
6	10404	NUT 3/8-16	4	36	51244	HOSE, PUSH-ON 1/2"ID X 9-1/2"L	1
7	51208	MOUNT, ENGINE	1	37	50554	BARB, PUSH-ON 1/2HOSE X 3/8MPT	1
8	10392	BOLT, TAP 1/2-13 X 4 (FULL THREAD)	1	38	10650	SWITCH, KEY, KOHLER 25 099 04-S	1
9	10417	NUT 1/2-13	1	39	15138	METER, HOUR, REDINGTON INDUCTIVE	1
10	50710	TOGGLE PAD 7/8"D X 15/16"H X 1/2-13	1	40	51081	CABLE, TURN-TO-LOCK CONTROL 72" (CUT TO 36")	1
11	10802	BOLT, CARRIAGE 3/8-16 X 1 FULL THD.	2	41	51225	SWITCH, EMERGENCY STOP	1
12	10025	WASHER, FLAT 3/8 SAE	2	42	51272	BASE SUPPORT, PROPANE TANK	1
13	10811	WASHER, LOCK 3/8	2	43	10806	SCREW, CAP 5/16-18 X 1	2
14	10404	NUT 3/8-16	2	44	10801	WASHER, LOCK 5/16	5
15	10304	SCREW, CAP 1/2-20 X 1	2	45	10213	WASHER, FLAT 5/16 SAE	5
16	10312	WASHER, FLAT 1/2 SAE	2	46	10053	SCREW, CAP 5/16-18 X 3/4	3
17	10205	NUT, LOCK 1/2-20	2	47	15220	PROP. TANK MOUNTING BRKT. TB-67-1	1
18	51242	LOOM, FLEX 5/8 X 55"L,	1	48	51271	MOUNT PLATE, PROPANE TANK	1
19	84011	BATTERY 12 VOLT/300 CCA(SMALL ENG.)	1	49	10055	SCREW, CAP 3/8-16 X 1	4
20	61064	CABLE, EYE-EYE 4GA. X 40" (RED)	1	50	10025	WASHER, FLAT 3/8 SAE	8
21	50117B	CABLE, EYE-EYE 4GA. X 24" (BLACK)	1	51	10811	WASHER, LOCK 3/8	4
22	10818	BOLT, CARRIAGE 5/16-18 X 3/4 F.T.	2	52	10404	NUT 3/8-16	4
23	10801	WASHER, LOCK 5/16	2	53	50473	PROPANE TANK 33LB. VERT. LIQ. WD.	1
24	10054	NUT 5/16-18	2	54	15131	COUPLING, REGO 4141F FEMALE	1
25	50091	CLAMP, BATTERY HOLD DOWN	1	55	15219	HOSE, HIGH PRESSURE 5/16 #6HPSS25UL	1
26	10928	INSULATOR, BAT.TERM.POST (RED)	1	56	11667	ELBOW, 3/8FLARE X 1/4MPT X 90	1
27	10031	SCREW, CAP 1/4-20 X 1	1	57	10018	SCREW, CAP 1/4-20 X 3/4	1
28	10602	WASHER, FLAT 1/4 SAE	4	58	10602	WASHER, FLAT 1/4 SAE	2
29	10150	NUT, HEX NYLON LOCK 1/4-20	2	59	11565	CLAMP, LOOM, 5/8" (SAE SIZE 10)	1
30	10018	SCREW, CAP 1/4-20 X 3/4	2	60	10861	NUT, KEPS 1/4-20	1



A Division of Equipment Development Company, Inc.

100 Thomas Johnson Drive, Frederick, MD 21702-4600 USA

Phone (301) 663-1600 • 1-800-638-3326

Fax (301) 663-1607 • 1-800-447-3326

Website: www.edcoinc.com

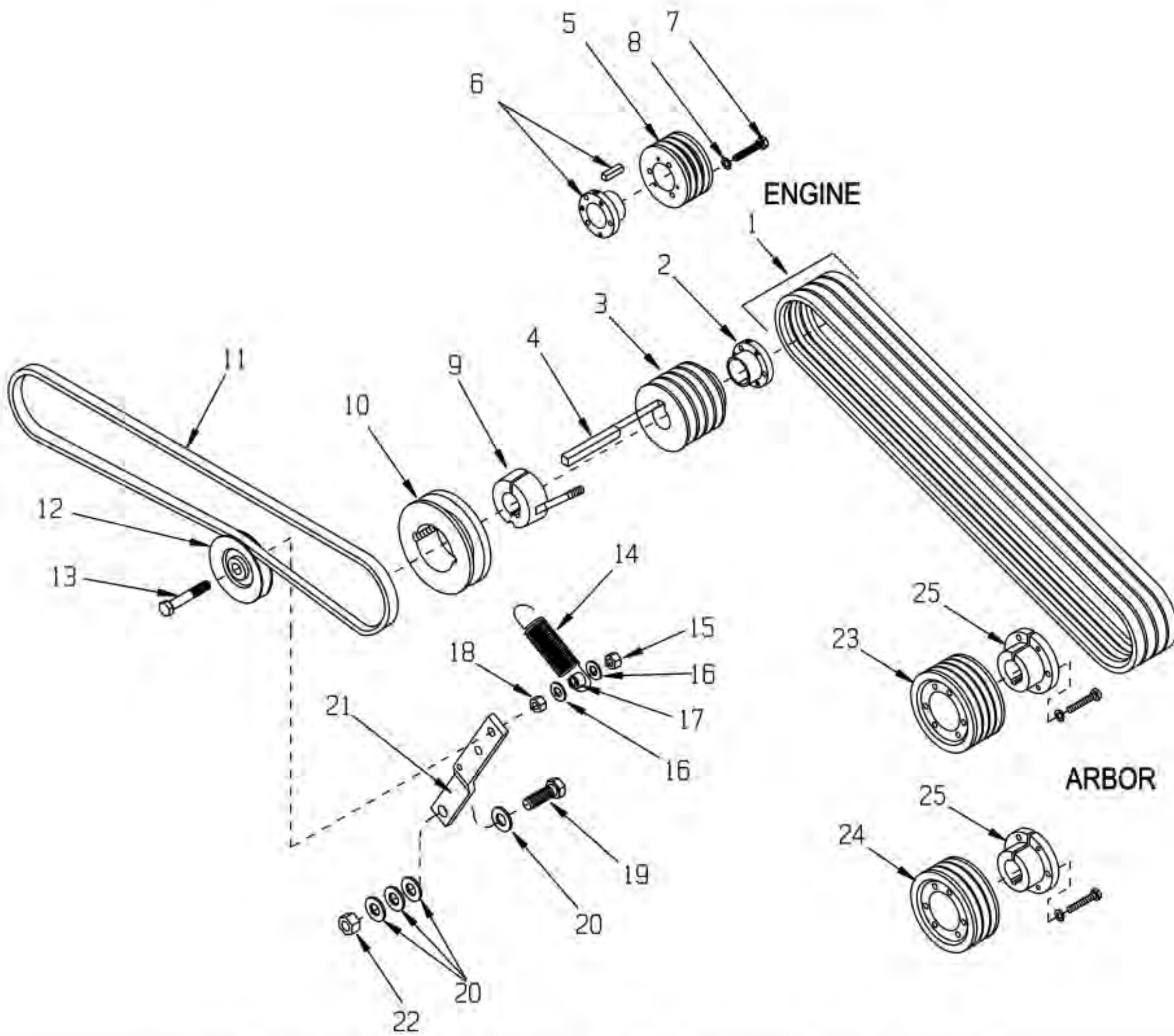
Email: sales@edcoinc.com

Printed in USA

©2008

Page 17

ILLUSTRATION 8: BELT DRIVE GROUPING



MODEL SS20 BELT DRIVE SPECIFICATION CHART							
POWER	ENGINE/MOTOR RPM	BLADE DIAMETER	BLADE SPEED (RPM)	ENGINE/MOTOR SHEAVE	ARBOR SHEAVE	ARBOR BELTS	TRANS. BELT
HONDA GX390	3600	14" - 16"	3600	3.65 3-Groove	3.65" 3-Groove	3VX335 3-Required	A50
HONDA GX620	3600	18" - 20"	2750	2.80" 4-Groove	3.65" 4-Groove	3VX335 4-Required	A47
KOHLER CH730 25 HP PROPANE	3600	18" - 20"	2750	2.80" 4-Groove	3.65" 4-Groove	3VX355 4-Required	A46

PARTS LISTING - ILLUSTRATION 8: BELT DRIVE GROUPING			
ITEM #	PART #	DESCRIPTION	QTY.
1	10201 10276	BELT, ARBOR 3VX335 (HONDA GX390 & GX620) 3VX355 (KOHLER CH720)	3 OR 4 4
2	10533	BUSHING, SHEAVE JA X 1-1/8"BORE (HONDA GX620 ONLY)	1
3	64037 64036	SHEAVE 2.8"OD X 4GR.3V X JA (HONDA GX620) 2.8"OD X 4GR.3V X 1-7/16"BORE (KOHLER CH730)	1
4	51247	KEY 3/8 SQ X 3 (HONDA GX620 & KOHLER CH730)	1
5	10539	SHEAVE 3.65"OD X 3GR.3V X SH (HONDA GX390)	1
6	10076	BUSHING, SHEAVE SH X 1"BORE (HONDA GX390) INCLUDES KEY	1
7	11714	BOLT, TAP 1/4-20 X 2 (FULL THD)	3
8	10038	WASHER, LOCK 1/4	3
9	10544 10529 10531	BUSHING, SHEAVE TAPER-LOCK 1"BORE (HONDA GX390) TAPER-LOCK 1-1/8"B (HONDA GX620) TAPER-LOCK 1610 1-7/16"B (KOHLER CH730)	1
10	10528	SHEAVE 4.15"OD X 1GR.AB X TAPER-LOCK	1
11	51311 51234 10203	BELT, TRANSMISSION A-50 (HONDA GX390) A-47 (HONDA GX620) A-46 (KOHLER CH730)	1
12	51226	IDLER PULLEY 2.75 X 3/4FLAT X 3/8	1
13	10336	SCREW, CAP 3/8-24 X 2-1/4	1
14	50074	SPRING, EXT. 1"OD X 3-15/16	1
15	10004	NUT, LOCK 3/8-24	1
16	10025	WASHER, FLAT SAE	2
17	10113	SPACER, STEEL 9/16OD X 3/8ID X 7/32	1
18	10014	NUT 3/8-24	1
19	10308	SCREW, CAP 1/2-20 X 1-1/2	1
20	10312	WASHER, FLAT 1/2 SAE	4
21	51052	IDLER ARM	1
22	10205	NUT, LOCK 1/2-20	1
23	10504	SHEAVE 3.65"OD X 4GR.3V X SH (HONDA GX620 & KOHLER CH730)	1
24	10539	SHEAVE 3.65"OD X 3GR.3V X SH (HONDA GX390)	1
25	10076	BUSHING, SHEAVE SH X 1"BORE (INCLUDES SCREWS & WASHERS)	1



A Division of Equipment Development Company, Inc.

100 Thomas Johnson Drive, Frederick, MD 21702-4600 USA

Phone (301) 663-1600 • 1-800-638-3326

Fax (301) 663-1607 • 1-800-447-3326

Website: www.edcoinc.com

Email: sales@edcoinc.com

Printed in USA

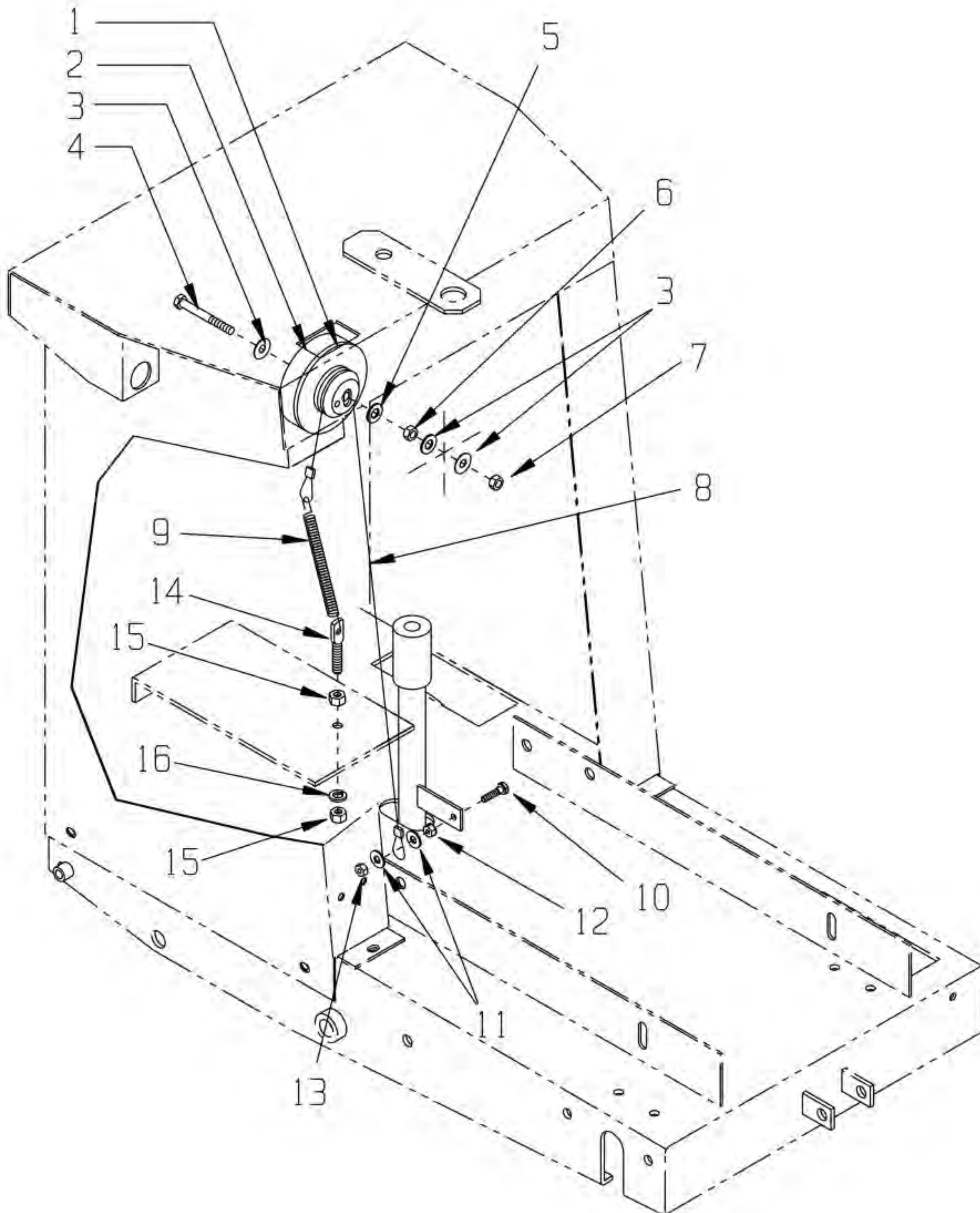
©2008

Page 19

**ILLUSTRATION 9: BLADE DEPTH GAUGE KIT
PART # 51238**

STANDARD ON MODELS SS20-20H & SS20-25P

OPTIONAL ON MODEL SS20-13H



**PARTS LISTING - ILLUSTRATION 9:
BLADE DEPTH GAUGE KIT - PART # 51238**

ITEM #	PART #	DESCRIPTION	QTY.
1	57132	WHEEL, DEPTH GAUGE	1
2	----	DEPTH GAUGE DECAL (PART OF DECAL KIT, PART # 92007)	1
3	10025	WASHER, FLAT 3/8 SAE	3
4	10336	SCREW, CAP 3/8-24 X 2-1/4	1
5	64159	SHIM 3/8 X 5/8 X .031	1
6	10004	NUT, LOCK 3/8-24	1
7	10152	NUT, HEX NYLON LOCK 3/8-24	1
8	51240	CABLE, DEPTH GAUGE 3/32 X 25"L	1
9	3636	SPRING, EXT. 6"L	1
10	10031	SCREW, CAP 1/4-20 X 1	1
11	10602	WASHER, FLAT 1/4 SAE	2
12	10861	NUT, KEPS 1/4-20	1
13	10150	NUT, HEX NYLON LOCK 1/4-20	1
14	10843	BOLT, SPADE 3/8-16 X 1-5/8	1
15	10404	NUT 3/8-16	2
16	10811	WASHER, LOCK 3/8	1



A Division of Equipment Development Company, Inc.

100 Thomas Johnson Drive, Frederick, MD 21702-4600 USA

Phone (301) 663-1600 • 1-800-638-3326

Fax (301) 663-1607 • 1-800-447-3326

Website: www.edcoinc.com

Email: sales@edcoinc.com

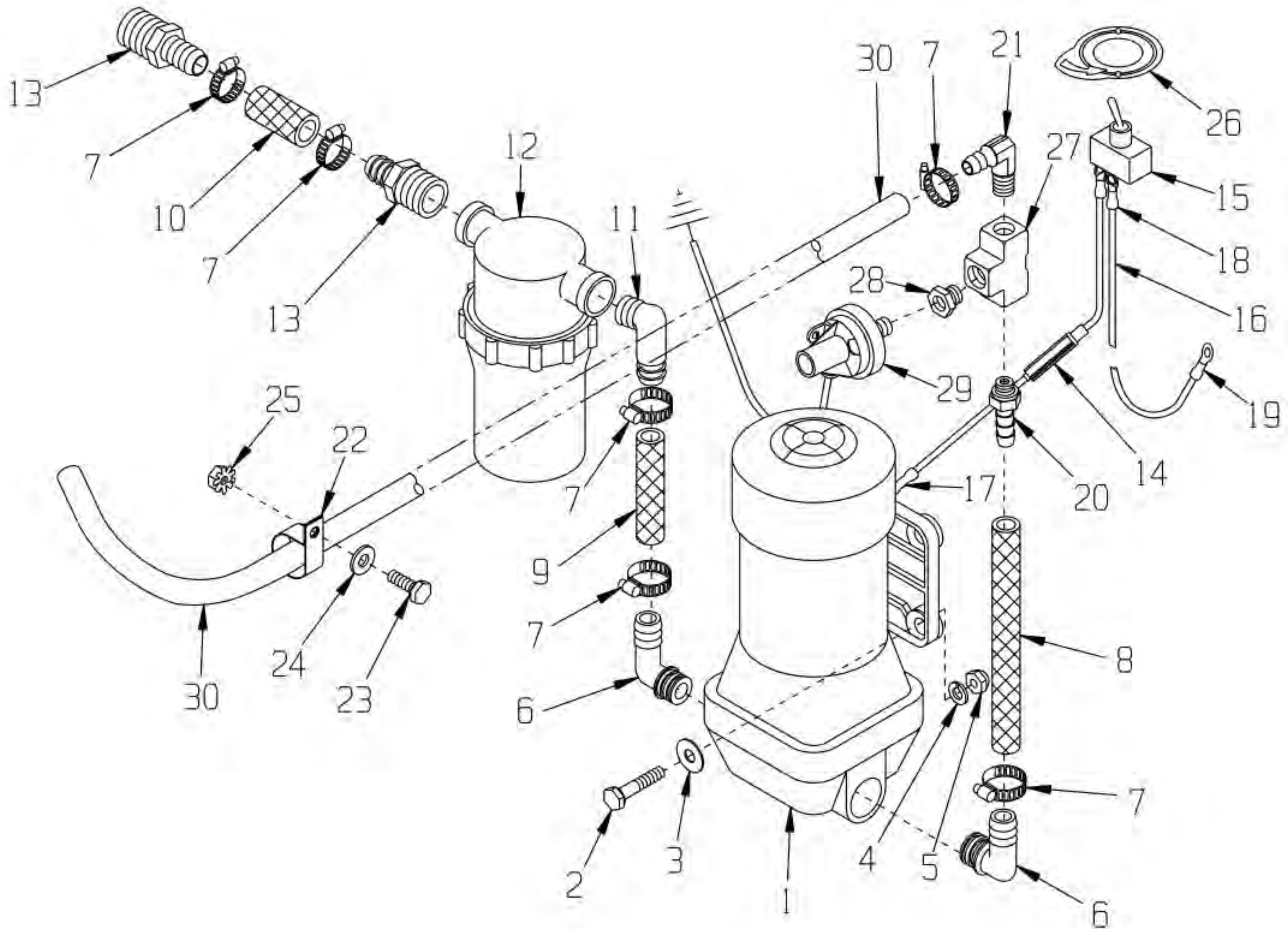
Printed in USA

©2008

Page 21

**ILLUSTRATION 10: OPTIONAL WATER PUMP KIT
PART # 51270**

MODELS SS20-20H & SS20-25P ONLY



**PARTS LISTING - ILLUSTRATION 10:
OPTIONAL WATER PUMP KIT
PART # 51270**

ITEM #	PART #	DESCRIPTION	QTY.
1	50470	PUMP, WATER, 12VDC, FLOJET QUAD	1
2	10905	SCREW, CAP 1/4-20 X 1-1/4	4
3	10602	WASHER, FLAT 1/4 SAE	4
4	10038	WASHER, LOCK 1/4	4
5	10876	NUT, ACORN 1/4-20	4
6	50469	PUMP QUAD PORT BARB ELBOW 1/2"	2
7	50069	CLAMP, HOSE, SAE #6, ADJ. TO 13/16	5
8	57168	HOSE, WATER 1/2"ID X 4-7/8"L	1
9	51261	HOSE, WATER 1/2"ID X 4"L	1
10	50532	HOSE, WATER 1/2"ID X 2"L	1
11	50471	BARB ELBOW 90, 1/2HOSE X 1/2MPT	1
12	57170	STRAINER, NYLON T-STYLE 1/2FPT	1
13	10680	BARB, 1/2HOSE X 1/2MPT (PLASTIC)	1
14	50447	FUSE & HOLDER, 10 AMP	1
15	10633	SWITCH, TOGGLE SPST 15/10A-115/250V	1
16	51262	WIRE, RED 14AWG X 30"L	1
17	10938	CONNECTOR, BUTT 16-14GA. INSULATED	1
18	50084	TERM., RING #10 16-14GA. INSULATED	2
19	10968	TERM., RING 5/16 16-14GA. INSULATED	1
*20	11579	BARB, PUSH-ON 1/2HOSE X 1/4 MPT	1
*21	10799	BARB ELBOW 90, 3/8HOSE X 1/4MPT	1
*22	11565	CLAMP, LOOM, 5/8" (SAE SIZE 10)	1
*23	10018	SCREW, CAP 1/4-20 X 3/4	1
*24	10602	WASHER, FLAT 1/4 SAE	1
*25	10861	NUT, KEPS 1/4-20	1
*26	-----	DECAL, WATER PUMP ON-OFF (PART OF DECAL KIT # 92007)	
**27	10719	PIPE TEE, FEMALE 1/4 NPT (BRASS)	1
**28	10718	BUSHING, HEX 1/4 X 1/8 NPT (BRASS)	1
**29	51030	SWITCH, PRESSURE, MAG. IGN., N.C.	1
***30	51222	HOSE, WATER 3/8"ID X 45"L	1
1-19 THESE ITEMS ARE PRE-ASSEMBLED			
*20-26 THESE ITEMS ARE NOT PRE-ASSEMBLED			
**27-29 THESE ITEMS ARE REUSED FROM THE EXISTING UNIT. THEY ARE SHOWN FOR ASSEMBLY PURPOSES ONLY			
***30 THIS ITEM IS REUSED FROM THE EXISTING UNIT. TRIM OFF TO THE APPROPRIATE LENGTH			



A Division of Equipment Development Company, Inc.

100 Thomas Johnson Drive, Frederick, MD 21702-4600 USA

Phone (301) 663-1600 • 1-800-638-3326

Fax (301) 663-1607 • 1-800-447-3326

Website: www.edcoinc.com

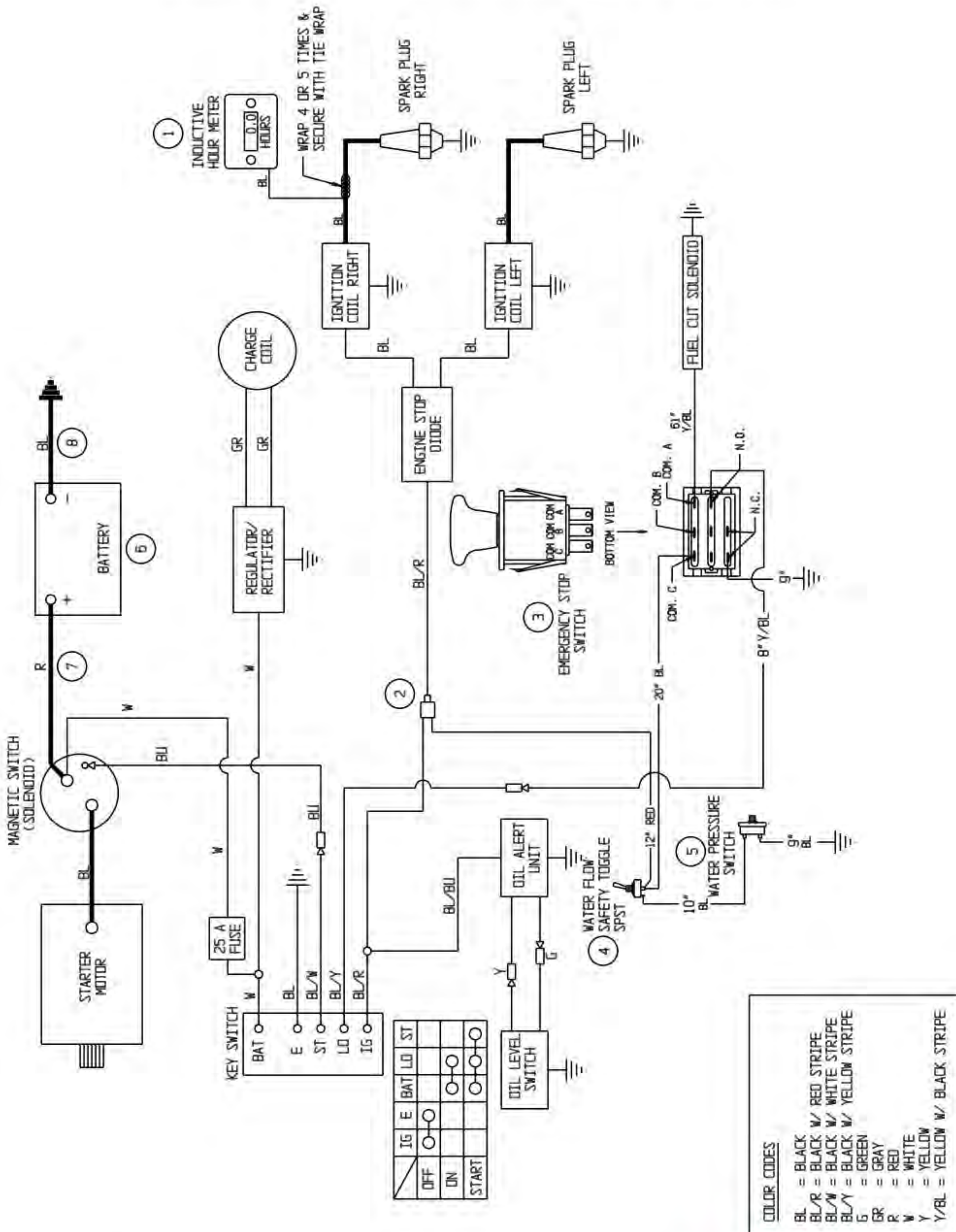
Email: sales@edcoinc.com

Printed in USA

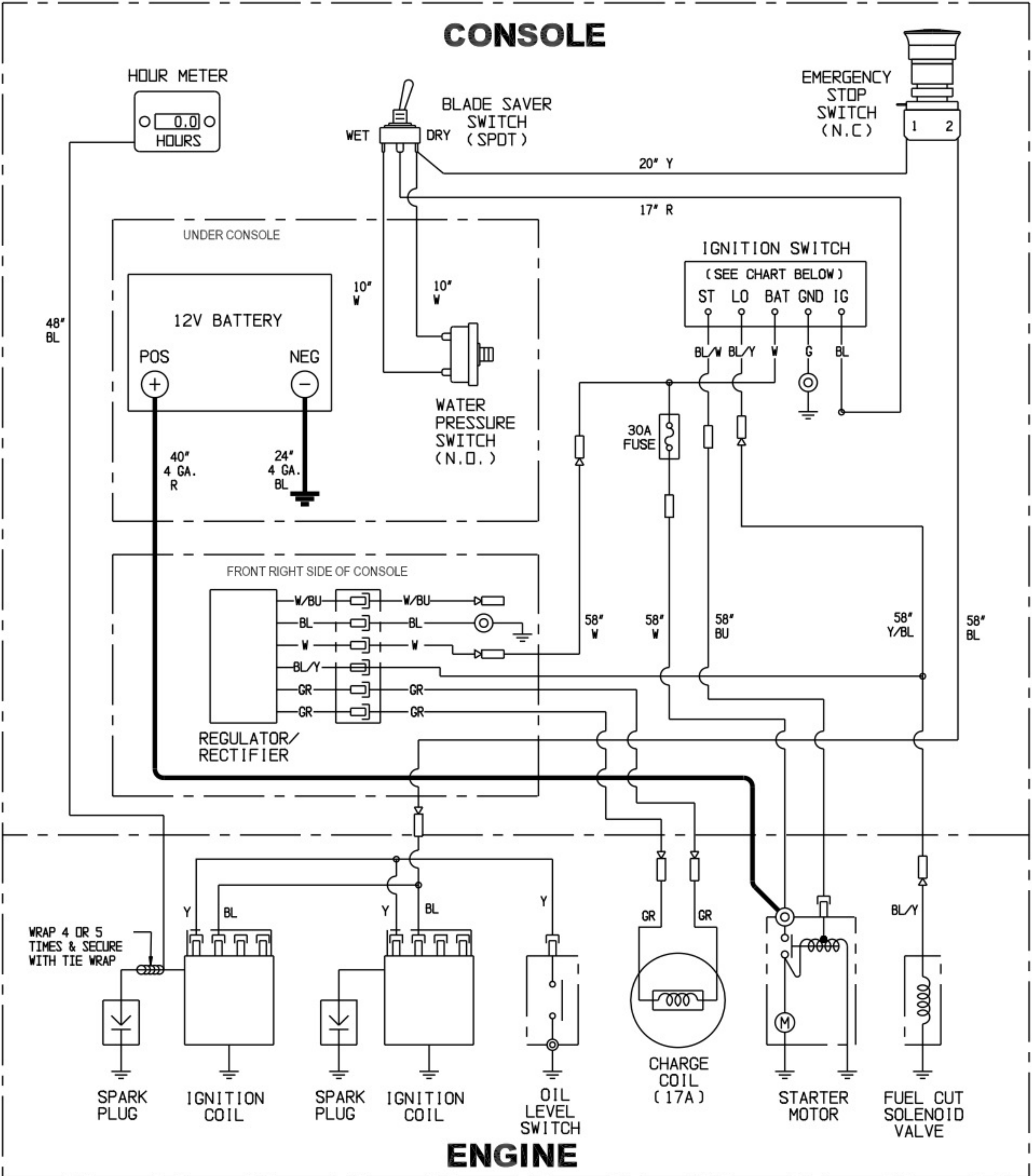
©2008

Page 23

ILLUSTRATION 11: SS20-20H WIRING DIAGRAM



CONSOLE



COLOR CODES

BL = BLACK	R = RED	BU/BL = BLUE / BLACK STRIPE	BL/Y = BLACK / YELLOW STRIPE
BU = BLUE	W = WHITE	BL/R = BLACK / RED STRIPE	R/BL = RED / BLACK STRIPE
G = GREEN	Y = YELLOW	BL/W = BLACK / WHITE STRIPE	Y/BL = YELLOW / BLACK STRIPE
GR = GRAY		W/BU = WHITE / BLACK STRIPE	

IGNITION SWITCH CHART

	IG	GND	BAT	LO	ST
OFF					
ON	○	○	○	○	
START	○	○	○	○	○

**WIRING DIAGRAM FOR MODEL SS20-20H
WITH HONDA GX630 ENGINE
STARTING SERIAL NUMBER 110410105***

<p>*NOTE: THE FIRST MACHINE THAT WAS BUILT WITH THE HONDA GX630 WAS IN JANUARY FOR THE SHOW. MOST LIKELY IT WAS S/N 110110053. A FEW MACHINES AFTER THAT HAD THE HONDA GX620 UNTIL APRIL.</p>	LTR.	REVISIONS	DATE	BY	<p>UNLESS OTHERWISE SPECIFIED DIMENSIONS ARE IN INCHES AND TOLERANCES ARE: FRACTIONS +/- 1/64 DECIMALS +/- .005 ANGLES +/- 1/2°</p> <p>THE INFORMATION CONTAINED IN THIS DRAWING IS PROPRIETARY WITH EDCO AND MAY NOT BE USED OR REPRODUCED WITHOUT WRITTEN CONSENT.</p>	EQUIPMENT DEVELOPMENT CO., INC.	
						MODEL(S) SS20-20H	PART #
						TITLE WIRING DIAGRAM	
						DWG. REV.	
						DWN. BY JWA	DATE 6/15/12
				CHK. BY JWA	PLOT SCALE .2	DWG. SIZE C	

PARTS LISTING - ILLUSTRATION 11: SS20-20H WIRING DIAGRAM

ITEM #	PART #	DESCRIPTION	QTY.
1	15138	METER, HOUR, REDINGTON INDUCTIVE	1
2	11582	CONNECTOR, BULLET FORD 3-WAY STD.	1
3	51225	SWITCH, EMERGENCY STOP	1
4	10633	SWITCH, TOGGLE SPST 15/10A-115/250V	1
5	51030	SWITCH, PRESSURE, MAG. IGN., N.C.	1
6	84011	BATTERY 12 VOLT/300 CCA (SMALL ENG.)	1
7	61064	CABLE, EYE-EYE 4GA. X 40" (RED)	1



A Division of Equipment Development Company, Inc.

100 Thomas Johnson Drive, Frederick, MD 21702-4600 USA

Phone (301) 663-1600 • 1-800-638-3326

Fax (301) 663-1607 • 1-800-447-3326

Website: www.edcoinc.com

Email: sales@edcoinc.com

Printed in USA

©2008

Page 25

ILLUSTRATION 12: SS20-13H WIRING DIAGRAM

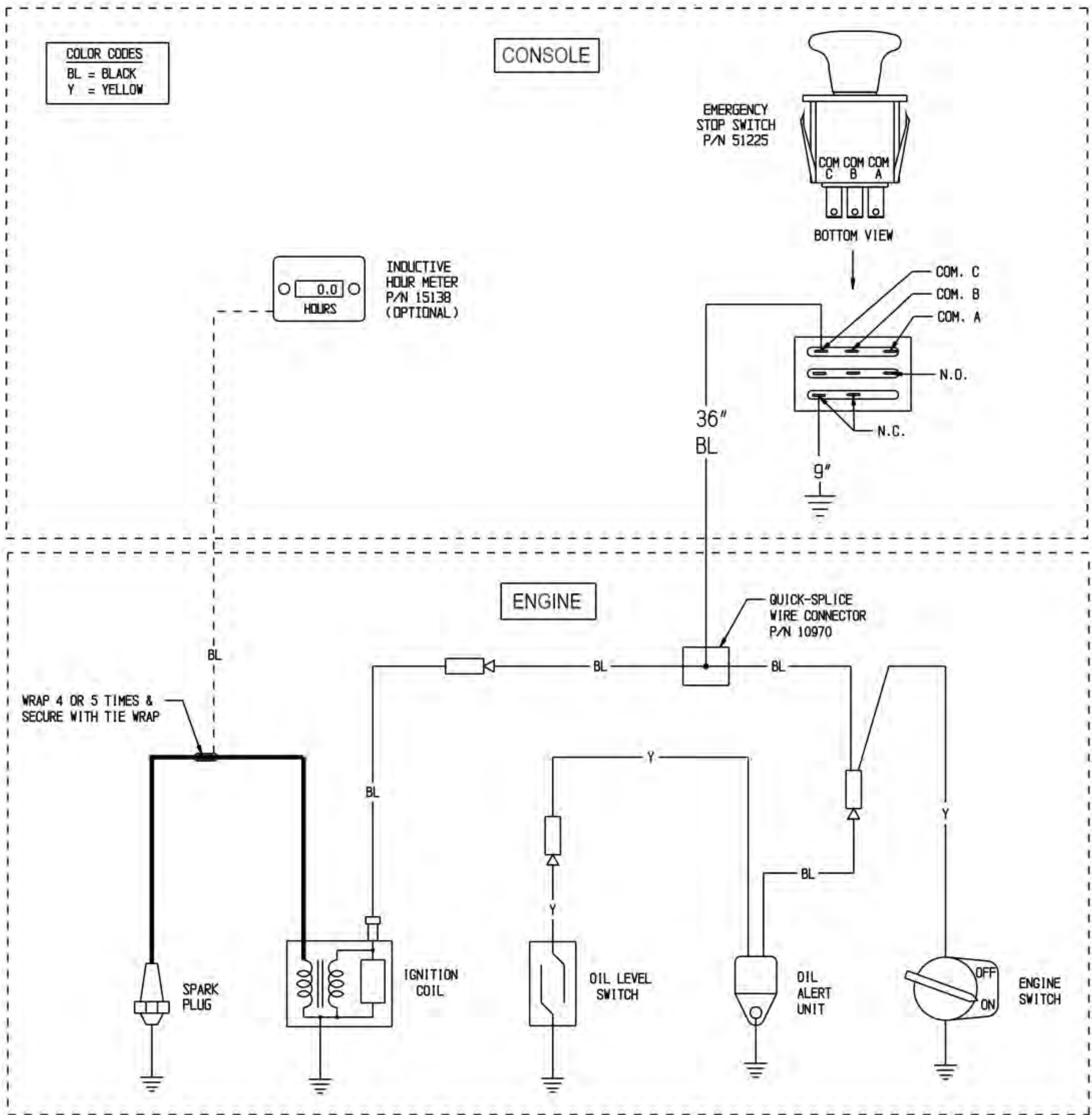
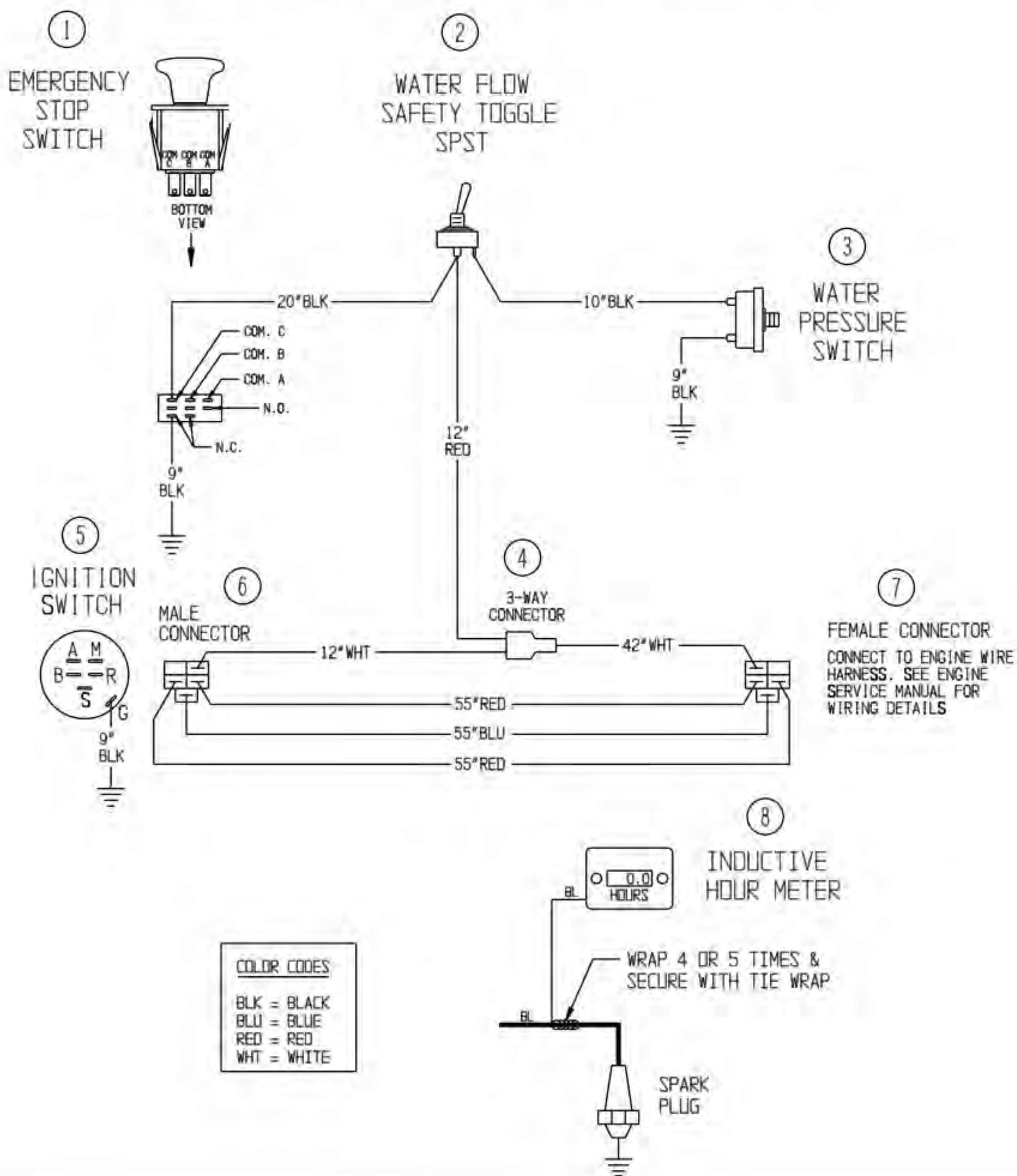


ILLUSTRATION 13: SS20-25P WIRING DIAGRAM



ITEM #	PART #	DESCRIPTION	QTY.
1	51225	SWITCH, EMERGENCY STOP	1
2	10633	SWITCH, TOGGLE SPST 15/10A-115/250V	1
3	51030	SWITCH, PRESSURE, MAG. IGN., N.C.	1
4	11582	CONNECTOR, BULLET FORD 3-WAY STD.	1
5	10650	SWITCH, KEY, KOHLER 25 099 04-S	1
6	51048	CONNECTOR, WIRE HARNESS, MALE	1
7	51049	CONNECTOR, WIRE HARNESS, FEMALE	1
8	15138	METER, HOUR, REDINGTON INDUCTIVE	1

LIMITED EQUIPMENT WARRANTY OF SALE – TERMS & CONDITIONS

Equipment Development Company, Inc. herein referred to as EDCO (Seller) warrants that each new unit manufactured by EDCO to be free from defects in material and workmanship in normal use and service for a period of (1) one year (except for the cutter drum assembly on all model concrete/asphalt planes, in which case the warranty period shall be 90 days) from date of shipment to the original retail or equipment rental center owner.

Accessories or equipment furnished and installed on the product by EDCO but manufactured by others, including, but not limited to engines, motors, electrical components, transmissions etc., shall carry the accessory manufacturers own warranty.

EDCO will, at its option, repair or replace, at the EDCO factory or at a point designated by EDCO, any part which shall appear to the satisfaction of EDCO inspection to have been defective in material or workmanship.

EDCO reserves the right to modify, alter and improve any part or parts without incurring any obligation to replace any part or parts previously sold without such modified, altered or improved part or parts.

This warranty is in lieu of and excludes all other warranties, expressed, implied, statutory, or otherwise created under applicable law including, but not limited to the warranty of merchantability and the warranty of fitness for a particular purpose in no event shall seller or the manufacturer of the product be liable for special, incidental, or consequential damages, including loss of profits, whether or not caused by or resulting from the negligence of seller and/or the manufacturer of the product unless specifically provided herein. In addition, this warranty shall not apply to any products or portions thereof which have been subjected to abuse, misuse, improper installation, maintenance, or operation, electrical failure or abnormal conditions and to products which have been tampered with, altered, modified, repaired, reworked by anyone not approved by seller or used in any manner inconsistent with the provisions of the above or any instructions or specifications provided with or for the product

FORCE MAJEURE

Seller's obligation hereunder are subject to, and Seller shall not be held responsible for, any delay or failure to make delivery of all or any part of the Product due to labor difficulties, fires, casualties, accidents, acts of the elements, acts of God, transportation difficulties, delays by a common carrier, inability to obtain Product, materials or components or qualified labor sufficient to timely perform part of or all of the obligations contained in these terms and conditions, governmental regulations or actions, strikes, damage to or destruction in whole or part of manufacturing plant, riots, terrorist attacks or incidents, civil commotions, warlike conditions, flood, tidal waves, typhoon, hurricane, earthquake, lightning, explosion or any other causes, contingencies or circumstances within or without the United States not subject to the Seller's control which prevent or hinder the manufacture or delivery of the Products or make the fulfillment of these terms and conditions impracticable. In the event of the occurrence of any of the foregoing, at the option of Seller, Seller shall be excused from the performance under these Terms and Conditions, or the performance of the Seller shall be correspondingly extended.

This document sets forth the terms and conditions pursuant to which the purchaser ("Purchaser") will purchase and Equipment Development Co. Inc. ("Seller") will sell the products, accessories, attachments (collectively the Products) ordered by the Purchaser. These terms and conditions shall govern and apply to the sale of Seller's Products to Purchaser, regardless of any terms and conditions appearing on any purchase order or other forms submitted by Purchaser to Seller, or the inconsistency of any terms therein and herein.

1. PRICE

All prices set forth on any purchase order or other document are F.O.B. Seller's facility or distribution point, as may be determined by Seller (F.O.B. Point). All prices are exclusive of any and all taxes, including, but not limited to, excise, sales, use, property or transportation taxes related to the sale or use of the Products, now or hereafter imposed, together with all penalties and expenses. Purchaser shall be responsible for collecting and/or paying any and all such taxes, whether or not they are stated in any invoice for the Products. Unless otherwise specified herein, all prices are exclusive of inland transportation, freight, insurance and other costs and expenses relating to the shipment of the Products from the F.O.B. point to Purchaser's facility. Any prepayment by Seller of freight insurance and other costs shall be for the account of Purchaser and shall be repaid to Seller.

2. PAYMENT TERMS

Payment terms are as follows. 2% 10 days (to approved and qualified accounts). Net 30 days. This is a cash discount for invoices paid within 10 days after the invoice date, regardless of date of receipt of shipment. This is not a trade discount and will not be granted to accounts that do not adhere to stated terms.

*All past due accounts are subject to a late payment fee of 1.5% per month or a maximum allowed by law if different, along with the expenses incidental to collection including reasonable attorney's fees and costs.

*Seller reserves the right to hold shipments against past due accounts.

*Seller reserves the right to alter payment terms.

3. FREIGHT TERMS

All shipments will be made F.O.B. shipping point as designated in these Terms and Conditions, and title shall pass at the F.O.B. point. Delivery to the initial common carrier shall constitute delivery to the Purchaser. Any claims for loss or damage during shipment are to be filed with carrier by the Purchaser. Seller will not assume responsibility for the performance of the carrier.

Back orders will be shipped in the most practical fashion with charges consistent with our freight policy established with the original order. UPS, FED EX, MAIL or shipments by other couriers are subject to the same terms and conditions as outlined in paragraph #3 "Freight Terms".

4. DELIVERY, DAMAGES, SHORTAGES

Seller shall use reasonable efforts to attempt to cause the Products to be delivered as provided for in these Terms & Conditions. Delivery to the initial common carrier shall constitute the delivery to the Purchaser. Seller's responsibility, in so far as transportation risks are concerned ceases upon the delivery of the Products in good condition to such carrier at the F.O.B. point and all the Products shall be shipped at the Purchaser's risk. Seller shall not be responsible or liable for any loss of income and/or profits, or incidental, special, consequential damages resulting from Seller's delayed performance in shipment and delivery.

5. RETURN OF DEFECTIVE PRODUCTS

Defective or failed material shall be held at the Purchaser's premises until authorization has been granted by Seller to return or dispose of Products. Products that are to be returned for final inspection must be returned Freight Prepaid in the most economical way. Credit will be issued for material found to be defective upon Seller's inspection based on prices at time of purchase.

6. PRODUCTS ORDERED IN ERROR

Products may be returned, provided that claim is made and Seller is notified within 7 days of receipt of Products, and the Products are in original buyer's possession not more than 30 days prior to return, subject to Seller's approval. If Products are accepted for return, they must be Freight Prepaid and buyer will be charged a minimum of 15% restocking charge, plus a charge back for outbound freight charges if the original order was shipped prepaid. Returns are not accepted for any Products that are specifically manufactured to meet the buyer's requirement of either specifications or quantity.

AGREEMENTS

These Terms and Conditions constitute the entire agreement between Seller and Purchaser as it relates to terms and conditions of sale, and supersedes any and all prior oral or written agreements, correspondence, quotations or understandings heretofore in force between the parties relating to the subject matter hereof. There are no agreements between Seller and Purchaser with respect to the Product herein except those specifically set forth in and made part of these terms and conditions. Any additional terms, conditions and/or prices are rejected by Seller.

These terms and conditions may be modified, cancelled or rescinded only by a written agreement of both parties executed by their duly authorized agents.

USE ONLY GENUINE EDCO PARTS & ACCESSORIES
For your own safety, the safety of others and the life of your machine.

Equipment Development Company, Inc.