



Click Here To View
Item at

www.GapPower.com

*Sales • Rentals
Parts & Service*



Illustrated Parts Manual

Models
E/M400A/
AJPnarrow
E/M450A/AJ

P/N
3121830

May 8, 2013



An Oshkosh Corporation Company

REVISION LOG

August 28, 2000 - Original Issue Of Manual (Edited to B/M 0010554 Revision 23 & B/M 0010571 Revision 1)
September 15, 2000 - Revised Manual (Added UL Components)
January 15, 2001- Revised Manual and added E/M400A (Edited to B/M 0010554 Revision 26 & B/M 0010571 Revision 3)
July 31, 2001- Revised Manual (Edited to B/M 0010554 Revision 30 & B/M 0010571 Revision 7)
May 31, 2002- Revised Manual (Edited to B/M 0010554 Revision 37 & B/M 0010571 Revision 16)
March 14, 2003- Revised Manual (Edited to B/M 0010554 Revision 43 & B/M 0010571 Revision 21)
July 1, 2003- Revised Manual (Edited to B/M 0010554 Revision 49 & B/M 0010571 Revision 25)
November 15, 2003- Revised Manual (Edited to B/M 0010554 Revision 50 & B/M 0010571 Revision 26)
June 18, 2004- Revised Manual (Edited to B/M 0010554 Revision 54 & B/M 0010571 Revision 29)
December 9, 2004 - Revised Manual (Edited to B/M 0010554 Revision 54 & B/M 0010571 Revision 30)
April 15, 2005 - Revised Manual (Edited to B/M 0010554 Revision 56 & B/M 0010571 Revision 30)
July 31, 2005 - Revised Manual (Edited to B/M 0010554 Revision 58 & B/M 0010571 Revision 33)
August 22, 2006 - Revised Manual (Edited to B/M 0010554 Revision 65 & B/M 0010571 Revision 38)
March 8, 2007 - Revised Manual (Edited to B/M 0010554 Revision 70 & B/M 0010571 Revision 42)
August 30, 2007 - Revised Manual (Edited to B/M 0010554 Revision 73 & B/M 0010571 Revision 46)
April 15, 2008 - Revised Manual (Edited to B/M 0010554 Revision 73 & B/M 0010571 Revision 46)
October 28, 2008 - Revised Manual (Edited to B/M 0010554 Revision 79 & B/M 0010571 Revision 51)
May 10, 2009 - Revised Manual (Edited to B/M 0010554 Revision 80 & B/M 0010571 Revision 51)
July 15, 2010 - Revised Manual (Edited to B/M 0010554 Revision 85 & B/M 0010571 Revision 56)
January 19, 2011 - Revised Manual (Edited to B/M 0010554 Revision 88 & B/M 0010571 Revision 56)
May 9, 2011 - Revised Manual (Edited to B/M 0010554 Revision 90 & B/M 0010571 Revision 62)
August 5, 2011 - Revised Manual (Edited to B/M 0010554 Revision 91 & B/M 0010571 Revision 63)
November 28, 2011 - Revised Manual (Edited to B/M 0010554 Revision 91 & B/M 0010571 Revision 63)
March 21, 2012 - Revised Manual (Edited to B/M 0010554 Revision 91 & B/M 0010571 Revision 63)
July 16, 2012 - Revised Manual (Edited to B/M 0010554 Revision D & B/M 0010571 Revision D)
October 18, 2012 - Revised Manual (Edited to B/M 0010554 Revision E & B/M 0010571 Revision F)
February 20, 2013 - Revised Manual (Edited to B/M 0010554 Revision F & B/M 0010571 Revision G)
May 8, 2013 - Revised Manual (Edited to B/M 0010554 Revision J & B/M 0010571 Revision L)

REVISION LOG

TABLE OF CONTENTS

FIGURE NO.	TITLE	PAGE NO.
SECTION 1 - FRAME		1-1
1-1	STEER INSTALLATION	1-2
1-2	TIRE AND WHEEL DRIVE INSTALLATION	1-6
1-3	DRIVE HUB ASSEMBLY (PRIOR TO S/N 0300154191)	1-10
1-4	DRIVE HUB ASSEMBLY (S/N 0300154191 TO PRESENT)	1-14
1-5	HYDRAULIC COMPONENTS INSTALLATION	1-18
1-6	BRAKE/STEER VALVE ASSEMBLY	1-20
1-7	BATTERIES AND CHARGER INSTALLATION	1-22
1-8	MAC BATTERY CHARGER ASSEMBLY	1-26
1-9	ELECTRICAL COMPONENTS INSTALLATION (FRAMED MOUNTED)	1-30
1-10	YANMAR MOTOR/GENERATOR INSTALLATION (M450 & M400 ONLY)	1-34
1-11	KUBOTA MOTOR/GENERATOR INSTALLATION (M400 & M450 ONLY)	1-38
1-12	FRAME COVERS INSTALLATION	1-42
SECTION 2 - TURNTABLE		2-1
2-1	VALVES AND HORN INSTALLATIONS	2-2
2-2	MAIN CONTROL VALVE ASSEMBLY	2-6
2-3	TURNTABLE AND SWING DRIVE INSTALLATION	2-10
2-4	SWING MOTOR ASSEMBLY (PRIOR TO S/N 0300135649)	2-14
2-5	SWING MOTOR ASSEMBLY (S/N 0300135649 TO PRESENT)	2-16
2-6	SWING BEARING ASSEMBLY	2-18
2-7	FUEL TANK AND MOTOR CONTROL MODULE INSTALLATION (M450 & M400 ONLY)	2-22
2-8	GROUND CONTROL BOX ASSEMBLY	2-24
2-9	HOODS AND BEACON LIGHT INSTALLATIONS	2-28
SECTION 3 - BOOM		3-1
3-1	BOOMS & CYLINDERS INSTALLATION	3-2
3-2	E/M450A & E/M400A MAIN BOOM ASSEMBLY & PLATFORM SUPPORT INSTALLATION	3-6
3-3	E/M450AJ MAIN BOOM ASSEMBLY	3-10
3-4	E/M450AJ JIB AND PLATFORM SUPPORT & ROTATOR INSTALLATION	3-14
3-5	E/M400AJP MAIN BOOM ASSEMBLY	3-18
3-6	E/M400AJP JIB AND PLATFORM SUPPORT & ROTATOR INSTALLATION	3-22
3-7	ROTATOR ASSEMBLY	3-26
3-8	CABLES/CLAMPS & LIMIT SWITCHES INSTALLATIONS	3-30
SECTION 4 - PLATFORM		4-1
4-1	PLATFORM COMPONENTS INSTALLATION (FRONT ENTRY PLATFORM)	4-2
4-2	PLATFORM COMPONENTS INSTALLATION (SIDE ENTRY PLATFORM)	4-6
4-3	PLATFORM PADDING INSTALLATION (FRONT ENTRY PLATFORM)	4-10
4-4	PLATFORM PADDING INSTALLATION (SIDE ENTRY PLATFORM)	4-12
4-5	PLATFORM TOP RAIL EXTENSION INSTALLATION (SIDE ENTRY PLATFORM)	4-14
4-6	PLATFORM CONSOLE ASSEMBLY	4-16
4-7	CONTROLLER ASSEMBLY (SWING & LIFT)	4-20
4-8	CONTROLLER ASSEMBLY (DRIVE & STEER)	4-24

TABLE OF CONTENTS

FIGURE NO.	TITLE	PAGE NO.
SECTION 5 - CYLINDER5-1		
5-1	JIB CYLINDER ASSEMBLY (E/M450AJ & E/M400AJP) (E/M450AJ PRIOR TO S/N 0300164333 & E/M400AJP PRIOR TO S/N 0300163453)	5-2
5-2	JIB CYLINDER ASSEMBLY (E/M450AJ & E/M400AJP) (E/M450AJ S/N 0300164333 TO PRESENT & E/M400AJP S/N 0300163453 TO PRESENT) ..	5-4
5-3	PLATFORM LEVEL CYLINDER ASSEMBLY (E/M450A & E/M400A) (PRIOR TO S/N 0300165128)	5-6
5-4	PLATFORM LEVEL CYLINDER ASSEMBLY (E/M450A & E/M400A) (S/N 0300165128 TO PRESENT)	5-10
5-5	PLATFORM LEVEL CYLINDER ASSEMBLY - JIB (E/M450AJ & E/M400AJP) (PRIOR TO S/N 0300163453)	5-12
5-6	PLATFORM LEVEL CYLINDER ASSEMBLY - JIB (E/M450AJ & E/M400AJP) (S/N 0300163453 TO PRESENT)	5-14
5-7	LIFT CYLINDER ASSEMBLY - LOWER	5-16
5-8	LIFT CYLINDER ASSEMBLY - MID	5-20
5-9	LIFT CYLINDER ASSEMBLY - UPPER	5-24
5-10	MASTER CYLINDER ASSEMBLY (E/M450A & E/M400A) (PRIOR TO S/N 0300165128)	5-28
5-11	MASTER CYLINDER ASSEMBLY (E/M450A & E/M400A) (S/N 0300165128 TO PRESENT)	5-30
5-12	MASTER CYLINDER ASSEMBLY (E/M450AJ & E/M400AJP) (PRIOR TO S/N 0300163453)	5-32
5-13	MASTER CYLINDER ASSEMBLY (E/M450AJ & E/M400AJP) (S/N 0300163453 TO PRESENT)	5-34
5-14	STEER CYLINDER ASSEMBLY	5-36
5-15	TELESCOPE CYLINDER ASSEMBLY (E/M400A, E/M450A & E/M450AJ)	5-38
5-16	TELESCOPE CYLINDER ASSEMBLY (E/M400AJP ONLY)	5-42
SECTION 6 - HYDRAULIC6-1		
6-1	STANDARD HYDRAULIC DIAGRAM (E/M400A & E/M450A)	6-2
6-2	STANDARD HYDRAULIC DIAGRAM (E/M450AJ)	6-6
6-3	STANDARD HYDRAULIC DIAGRAM (E/M400AJP)	6-10
6-4	HYDRAULIC DIAGRAM LIST	6-14
SECTION 7 - ELECTRICAL7-1		
7-1	ELECTRICAL DIAGRAM LIST	7-2
7-2	ELECTRICAL SCHEMATIC (E/M400A, E/M450A & E/M450AJ) (PRIOR TO S/N 0300100450)	7-3
7-3	ELECTRICAL SCHEMATIC (E/M400AJP) (PRIOR TO S/N 0300100540)	7-8
7-4	ELECTRICAL SCHEMATIC (E/M400A, E/M450A, E/M450AJ & E/M400AJP) (S/N 0300100540 TO PRESENT)	7-14
7-5	HARNESS COMPONENTS INSTALLATION (WITH MAC CHARGER)	7-20
7-6	HARNESS COMPONENTS INSTALLATION (WITH DELTA-Q CHARGER)	7-34
SECTION 8 - DECALS8-1		
8-1	DECAL INSTALLATION (PRIOR TO S/N 0300096809)	8-2
8-2	DECAL INSTALLATION (S/N 0300096809 TO PRESENT)	8-8
SECTION 9 - RECOMMENDED SERVICE PARTS STOCK9-1		

TABLE OF CONTENTS

FIGURE NO.	TITLE	PAGE NO.
SECTION 10 - SPECIAL OPTIONS		10-1
SECTION 11 - PARTS NUMBER INDEX		11-1

TABLE OF CONTENTS

FIGURE NO.	TITLE	PAGE NO.
------------	-------	----------

SECTION 1

FRAME

SECTION 1 FRAME

FIGURE 1-1. STEER INSTALLATION

ITEM #	PART NUMBER	QTY.	DESCRIPTION	REV.
		Ref.	STEER INSTALLATION OPTIONS:	
	0257817	Ref.	Standard Width E/M450 & E/M400 Models	D
	0270010	Ref.	Narrow Width E/M400 Models	D
1		1	Hub/Spindle Assembly Options: (Left Side) (See Items 101-115 for Breakdown)	
	2780242		Standard Width E/M450 & E/M400 Models	
	2780250		Narrow Width E/M400 Models	
2		1	Hub/Spindle Assembly Options: (Right Side) (See Items 101-115 for Breakdown)	
	2780241		Standard Width E/M450 & E/M400 Models	
	2780251		Narrow Width E/M400 Models	
3	3300426	18	Lugnut 5/8in-18NF	
4	3422692	2	Kingpin	
5		2	Steering Link Options:	
	3010119		Standard Width E/M450 & E/M400 Models	
	3010121		Narrow Width E/M400 Models	
6	1683591	1	Steer Cylinder Assembly (See Section 5 for Breakdown)	
7		2	End, Rod Options:	
	3841367		Prior to S/N 0300058200	
	3841517		S/N 0300058200 to Present	
8	0440162	2	Washer, Thrust	
9	Not Used			
10	3312008	4	Nut, Serrated 5/8in-11NC	
11	0641606	4	Bolt 3/8in-16NC x 3/4in	
12	3450810	2	Pin, Cotter 1/4in x 2-1/2in	
13	3323003	2	Nut, Castle 1-1/4in-12NF	
14	3900109	4	Screw, Socket Head Shoulder 3/4in-16NF x 1-3/4in	
15	3322202	2	Nut, Jam 3/4in-16NF	
16	0681810	4	Bolt 1/2in-13NC x 1-1/4in (Grade 8)	
17	0100011	A/R	Compound, Locking	
18	4891800	4	Washer, Hardened 1/2in	
19	4740156	2	Washer, Thrust (S/N 0300058200 to Present Only)	
		Ref.	HUB/SPINDLE ASSEMBLY OPTIONS:	
	2780242	Ref.	Standard Width E/M450 & E/M400 Models (Left Side)	C
	2780241	Ref.	Standard Width E/M450 & E/M400 Models (Right Side)	C
	2780250	Ref.	Narrow Width E/M400 Models (Left Side)	C
	2780251	Ref.	Narrow Width E/M400 Models (Right Side)	C
101		A/R	Spindle Options:	
	4130350		Standard Width E/M450 & E/M400 Models (Left Side)	
	4130351		Standard Width E/M450 & E/M400 Models (Right Side)	
	7023216		Narrow Width E/M400 Models (Left Side)	
	7023217		Narrow Width E/M400 Models (Right Side)	
102	0962140	2	Bushing (1 per Assembly)	
103	0961951	4	Bushing (2 per Assembly)	
104	7020035	2	Hub Assy (1 per Assembly)	
105	7020036	2	Cup, Bearing - Inner (1 per Assembly)	

SECTION 1 FRAME

FIGURE 1-1. STEER INSTALLATION (CONTINUED)

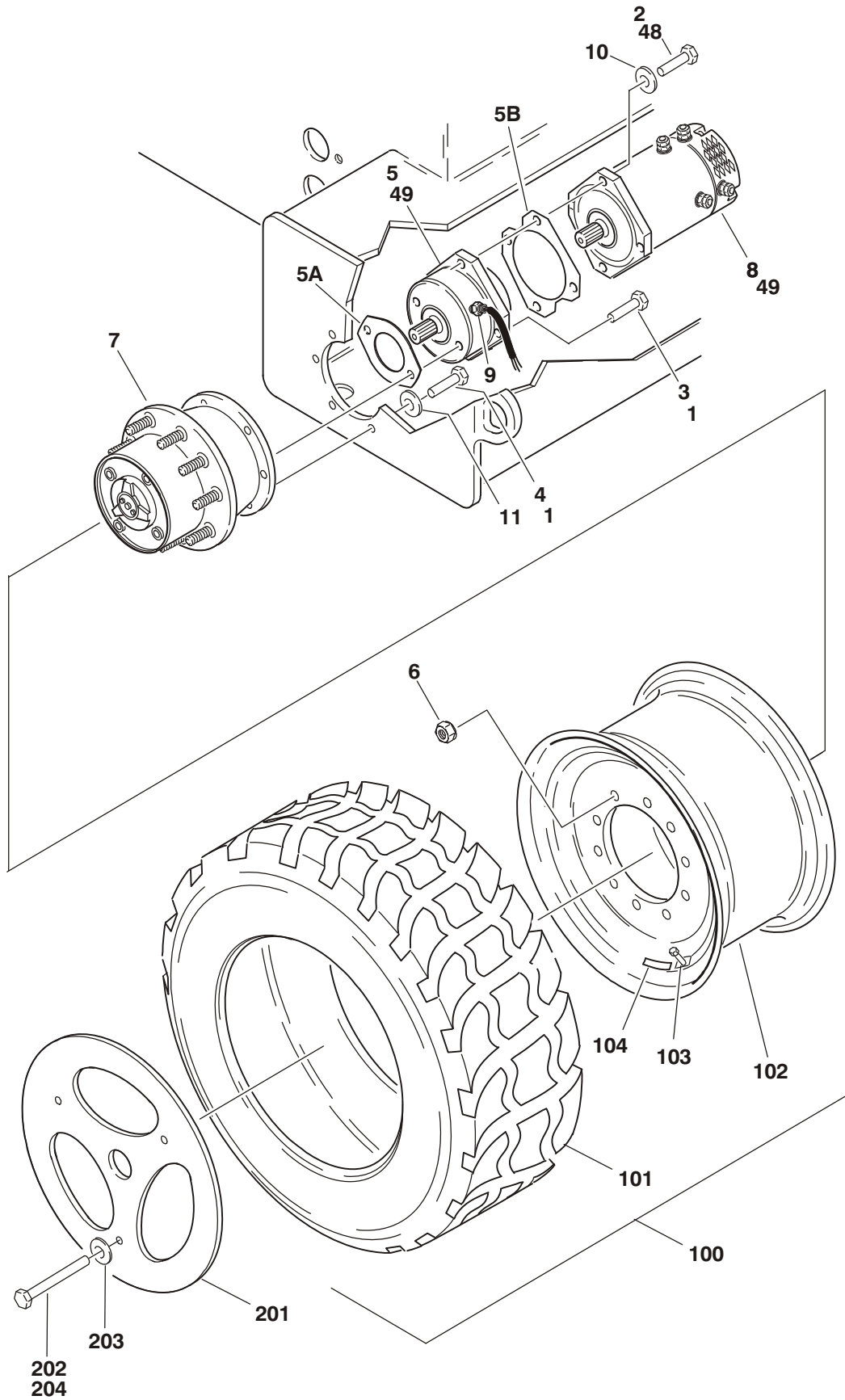
ITEM #	PART NUMBER	QTY.	DESCRIPTION	REV.
106	7020038	2	Cup, Bearing - Outer (1 per Assembly)	
107	7020041	18	Stud (9 per Assembly)	
108	7020037	2	Cone, Bearing - Inner (1 per Assembly)	
109	7020039	2	Cone, Bearing - Outer (1 per Assembly)	
110	7020040	2	Seal, Lip (1 per Assembly)	
111	7020137	2	Dust Cap (1 per Assembly)	
112	3300426	18	Lugnut 5/8in-18NF (9 per Assembly)	
113	7020055	2	Washer, Tanged (1 per Assembly)	
114	7020054	2	Nut, Castle (1 per Assembly)	
115	7020140	2	Pin, Cotter (1 per Assembly)	
201		Ref.	FRAME WELDMENTS	
	2360505		E/M450A Prior to S/N 0300059390	
	2360532		E/M450A S/N 0300059390 to Present	
	2360510		E/M450AJ Prior to S/N 0300059390	
	2360538		E/M450AJ S/N 0300059390 to Present	
	2360532		E/M400AJP & E/M400A	
	2360531		E/M400AJPnarrow	
	2360548		E/M400Anarrow	

FIGURE 1-1. STEER INSTALLATION (CONTINUED)

ITEM #	PART NUMBER	QTY.	DESCRIPTION	REV.

SECTION 1 FRAME

FIGURE 1-2. TIRE AND WHEEL DRIVE INSTALLATION



SECTION 1 FRAME

FIGURE 1-2. TIRE AND WHEEL DRIVE INSTALLATION

ITEM #	PART NUMBER	QTY.	DESCRIPTION	REV.
		Ref.	WHEEL DRIVE INSTALLATION OPTIONS:	
	0259069	Ref.	Standard Spec E/M450 Models Prior to S/N 0300059390	7
	0270103	Ref.	Standard Spec E/M450 Models S/N 0300059390 to Present	B
	0270103	Ref.	Standard Spec E/M400 Models	B
1	0100019	A/R	Compound, Locking	
2	0641609	8	Bolt 3/8in-16NC x 1-1/8in	
3	0641826	4	Bolt 1/2in-13NC x 3-1/4in	
4		12	Bolt (Grade 8) Options:	
	0682010		Bolt 5/8in-11NC x 1-1/4in (Prior to S/N 0300154191)	
	0682012		Bolt 5/8in-11NC x 1-1/2in (S/N 0300154191 to Present)	
5	0920113	2	Drive Brake Assembly	
	Use 0920113	2	Ring, Sensor (1 Per Assembly) (was p/n 7027275 which is no longer available. (Note: Not Available for Purchase))	
	7007977	2	Ring, Bearing Retaining (Large) (1 per Assembly)	
	7011716	2	Ring, Bearing Retaining (Small) (1 per Assembly)	
	7007913	4	Bolt	
	7011757	2	Complete Repair Kit (Includes Case & Oil Seals, O-Rings, Back-up Rings, Stator & Rotor Discs, Return Plate, Springs, Bearing & Brake to Hub Gasket (1 per Assembly)	
	2900768	2	Bearing Kit (1 per Assembly)	
	7007900	2	Seal, Oil - Front (1 per Assembly)	
5A	7007933	2	Gasket, Brake to Hub (1 Per Assembly)	
5B	70002408	2	Gasket, Brake to Motor (1 Per Assembly) (Not Included in Repair Kit)	
6	3300426	18	Lugnut	
7		2	Drive Hub Assembly Options:	
	2780236		Prior to S/N 0300154191 (See Figure 1-3 for Breakdown)	
	2780282		S/N 0300154191 to Present (See Figure 1-4 for Breakdown)	
8	3160239	2	Drive Motor Assembly	
	7020138	2	Brush Kit for 3160239 (1 per Assembly)	
	7020150	2	Holder for 3160239 (1 per Assembly)	
9	3990105	2	Sensor, Speed	
10	4711600	8	Flatwasher 3/8in Narrow	
11	4892000	12	Washer, Hardened 5/8in	
12 to 47	Not Used			
48	0100011	A/R	Compound, Locking	
49	3020037	A/R	Lube, Coupling Grease	

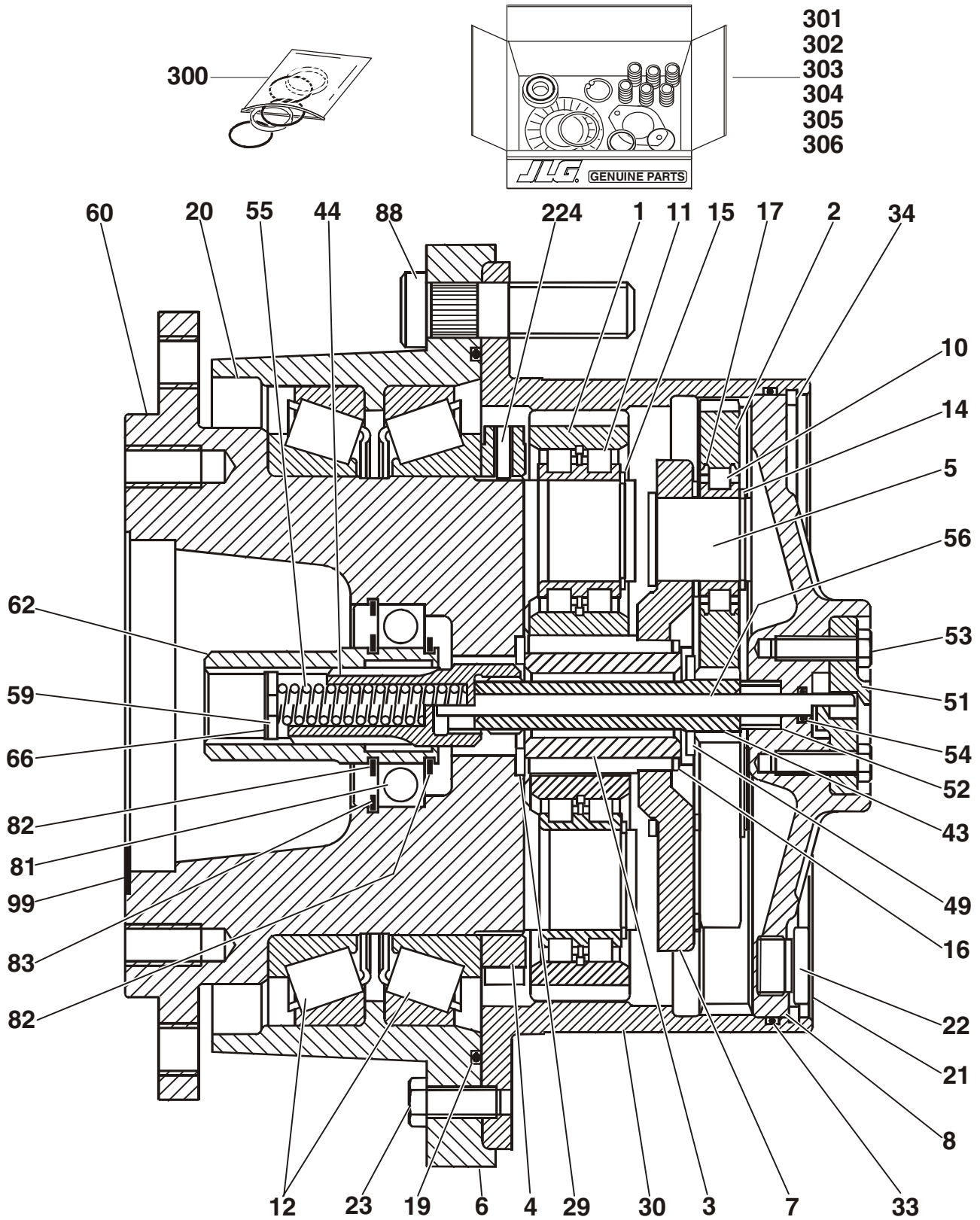
SECTION 1 FRAME

FIGURE 1-2. TIRE AND WHEEL DRIVE INSTALLATION (CONTINUED)

ITEM #	PART NUMBER	QTY.	DESCRIPTION	REV.	
100		Ref.	TIRE AND WHEEL INSTALLATIONS		
	0258995	Ref.	IN240/55-17.5 Pneumatic (Tire with JLG in Tread Pattern)	1	
	0270416	Ref.	IN240/55-17.5 Pneumatic (Non-Marking Tire with JLG Pattern in Tread) (Prior to S/N 0300075100)	2	
	0273683	Ref.	IN240/55-17.5 Pneumatic (Non-Marking Tire with Lightning Tread Pattern) (S/N 0300075100 to Present)	A	
	0258996	Ref.	IN240/55-17.5 Foam-Filled (Tire with JLG in Tread Pattern)	1	
	0270418	Ref.	IN240/55-17.5 Foam-Filled (Non-Marking Tire with JLG Pattern in Tread) (Prior to S/N 0300075100)	2	
	0273684	Ref.	IN240/55-17.5 Pneumatic (Non-Marking Tire with Lightning Tread Pattern) (S/N 0300075100 to Present)	A	
	0259679	Ref.	LT215/8R16 Pneumatic	1	
	0270037	Ref.	26in x 7in x 20in Solid (Non-Marking)	2/A	
	0270028	Ref.	Solid (Non-Marking) (M400AJPnarrow & E400APJnarrow Only)	C	
		A/R	Tire Assembly Options:		
		Ref.	Standard Width E/M450 & E/M400 Models:		
		Ref.	Note: Assemblies may require ballast/foam filling to manufacturer's specifications prior to installing on a machine. Refer to Operation & Safety or Service & Maintenance Manuals. Purchase individual tire and/or rim only if able to foam fill tire & wheel assembly, otherwise, purchase complete assembly.		
		0258688	4	OTR IN240/55-17.5 Pneumatic (Tire with JLG in Tread Pattern)	2/A
		0270415	4	OTR IN240/55-17.5 Pneumatic (Non-Marking Tire with JLG Pattern in Tread) (Prior to S/N 0300075100)	3/B
		4520279	4	OTR IN240/55-17.5 Pneumatic (Non-Marking Tire with Lightning Pattern in Tread) (S/N 0300075100 to Present)	1
		0258997	4	OTR IN240/55-17.5 Foam-Filled (Tire with JLG in Tread Pattern)	1/A
	Use 0273468	4	OTR IN240/55-17.5 Foam-Filled (Non-Marking Tire with JLG Pattern in Tread) (Prior to S/N 0300154685) (was p/n 0270417)	2/B	
	0273468	4	OTR IN240/55-17.5 Foam-Filled (Non-Marking Tire with Lightning Tread Pattern) (S/N 0300154685 to Present)	D	
	0258037	4	Goodyear LT215/8R16 Pneumatic	1/A	
		4	Solid Non-Marking Tire & Wheel Assembly Options		
	Use 1001110775	Ref.	Note: Must replace Tire & Wheel Assemblies in pairs per axle. Monarch 26in x 7in x 20in Solid Non-Marking (Steer Axle Tire) (was p/n 4520232) (Prior to S/N 0300142352)		
	1001110775		Solideal 22in x 6in x 17.75in Solid Non-Marking (Steer Axle Tire) (S/N 0300142352 to Present)		
100		A/R	Tire Assembly Options:		
		Ref.	Narrow Width E/M400 Models:		
		Ref.	Note: Must replace Tire & Wheel Assemblies in pairs per axle.		
		2	22in x 6in x 17.75in Solid Non-Marking Tire & Wheel Assembly (Steer Axle Tire)		
	Use 1001110774		Trelleborg Tire & Wheel Assembly (Steer Axle Tire) (was p/n 4520231) (Prior to S/N 0300141858)		

SECTION 1 FRAME

FIGURE 1-3. DRIVE HUB ASSEMBLY (PRIOR TO S/N 0300154191)



SECTION 1 FRAME

FIGURE 1-3. DRIVE HUB ASSEMBLY (PRIOR TO S/N 0300154191)

ITEM #	PART NUMBER	QTY.	DESCRIPTION	REV.
	2780236	Ref.	DRIVE HUB ASSEMBLY	E
1	7021323	4	Gear, Planet	
2	7021324	3	Gear, Planet	
3	7021325	1	Gear, Sun	
4	7023803	1	Nut, Shaft	
		Ref.	NOTE: Unless there is capability to torque shaft nut (item 4) to 625 ft./lbs. (850Nm) Repair beyond this level is NOT advised.	
5	7021326	3	Bolt, Planet	
6	7021327	1	Ring, Support	
7	7021328	1	Carrier, Planet	
8	70003711	1	Cover	
9	Not Used			
10	70003712	3	Bearing, Roller	
11	70003713	4	Bearing, Roller	
12	70003714	2	Bearing, Roller	
13	Not Used			
14	70003715	3	Ring, Retaining	
15	70003716	4	Ring, Retaining	
16	7021341	1	Ring, Retaining	
17	70003717	3	Disk, Support	
18	Not Used			
19	See Note	1	O-Ring (Note: Use Items 300 & 303)	
20	See Note	1	Seal, Ring (Note: Use Items 300 & 303)	
21	See Note	3	Plug (Note: Use Items 300 & 304)	
22	See Note	3	Seal, Ring (Note: Use Items 300 & 304)	
23	7021342	3	Bolt	
24 to 28	Not Used			
29	7024049	1	Washer, Housing	
30	7021335	1	Gear, Ring	
31 to 32	Not Used			
33	See Note	1	O-Ring (Note: Use Items 300, 303 & 304)	
34	70003718	1	Ring, Retaining	
35 to 42	Not Used			
43	7021336	1	Shaft, Sun Gear	
44	7021337	1	Shaft, Input	
45 to 48	Not Used			
49	7024051	1	Washer, Thrust	
50	Not Used			
51	70003719	1	Cover	
52	70003720	1	Disk	
53	70003721	2	Bolt	
54	See Note	1	O-Ring (Note: Use Items 300, 304, 305 & 306)	
55	7024053	1	Spring, Pressure	
56	70003722	1	Rod, Shaft	
57 to 58	Not Used			
59	70003723	1	Disk, Rotor	
60	7021339	1	Spindle	

SECTION 1 FRAME

FIGURE 1-3. DRIVE HUB ASSEMBLY (PRIOR TO S/N 0300154191) (CONTINUED)

ITEM #	PART NUMBER	QTY.	DESCRIPTION	REV.
61	Not Used			
62	7021340	1	Coupler	
63 to 65	Not Used			
66	70003724	1	Ring, Retaining	
67 to 80	Not Used			
81	7024983	1	Bearing, Ball	
82	7021341	2	Ring, Retaining	
83	7024931	1	Ring, Retaining	
84 to 87	Not Used			
88	Use 7021344	9	Stud, Wheel (was p/n 7024984)	
89 to 98	Not Used			
99	7024985	1	Plug	
100 to 223	Not Used			
224		A/R	Component Options:	
	See Note	2	Ball Prior to S/N 0300089390 (Note: Not Available - Use Slotted Pin in Kit 303)	
	See Note	2	Expander Prior to S/N 0300089390 (Note: Not Available - Use Slotted Pin in Kit 303)	
	See Note	2	Plug Prior to S/N 0300089390 (Note: Not Available - Use Slotted Pin in Kit 303)	
	70003725	2	Pin, Slotted S/N 0300089390 to Present	
			SEAL/REPAIR KIT OPTIONS:	
300	7021333	1	Seal Kit (Includes Items 19-22, 33 & 54)	
301	7024981	1	Planet Gear Kit 1 (Includes Items 1, 11 & 15)	
302	7024986	1	Planet Gear Kit 2 (Includes Items 2, 10, 14 & 17)	
303	7024047	1	Bearing Kit (Includes Items 4, 12, 19, 20, 23, 33 & 224)	
		Ref.	NOTE: Unless there is capability to torque shaft nut (item 4) to 625 ft./lbs. (850Nm) Repair beyond this level is NOT advised.	
304	7021329	1	Cover Kit (Includes Items 8, 21, 22, 33, 34 & 51-54)	
305	7021338	1	Mechanical Disconnect Kit 1 (Includes Items 54-56, 59 & 66)	
306	7024054	1	Mechanical Disconnect Kit 2 (Includes Items 51, 53, 54 & 56)	

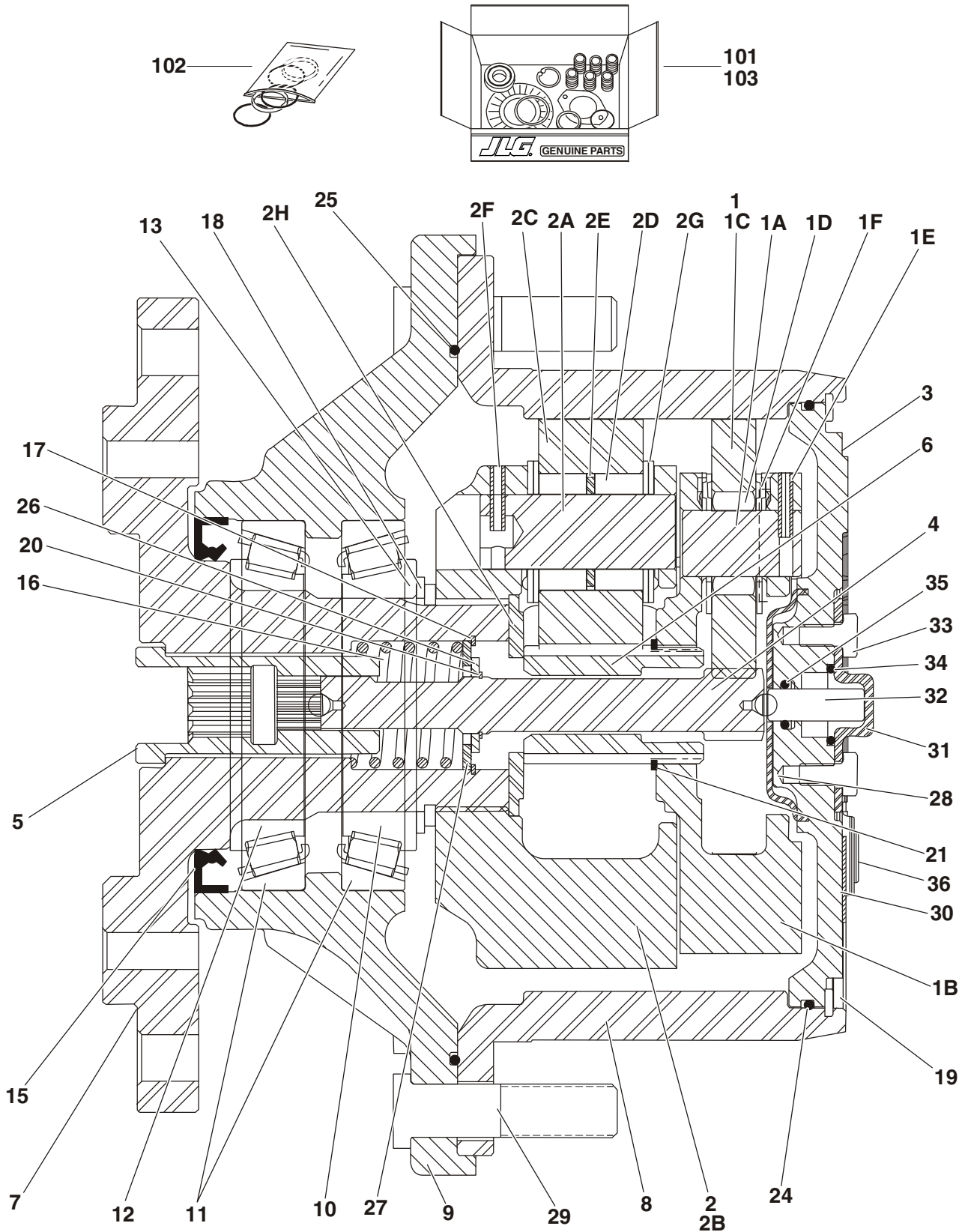
SECTION 1 FRAME

FIGURE 1-3. DRIVE HUB ASSEMBLY (PRIOR TO S/N 0300154191) (CONTINUED)

ITEM #	PART NUMBER	QTY.	DESCRIPTION	REV.

SECTION 1 FRAME

FIGURE 1-4. DRIVE HUB ASSEMBLY (S/N 0300154191 TO PRESENT)



SECTION 1 FRAME

FIGURE 1-4. DRIVE HUB ASSEMBLY (S/N 0300154191 TO PRESENT)

ITEM #	PART NUMBER	QTY.	DESCRIPTION	REV.
	2780282	Ref.	DRIVE HUB ASSEMBLY	A
1	70001366	1	Carrier, Sub Assembly (Purchase p/n 70001366 for items 1A-1F)	
1A	Use 70001366	3	Shaft, Planet	
1B	Use 70001366	1	Carrier	
1C	Use 70001366	3	Gear, Planet	
1D	Use 70001366	42	Bearing, Needle	
1E	Use 70001366	3	Pin, Roll	
1F	Use 70001366	6	Washer, Thrust	
2	70001367	1	Carrier, Input (Purchase p/n 70001367 for items 2A-2H)	
2A	Use 70001367	3	Shaft, Planet	
2B	Use 70001367	1	Carrier	
2C	Use 70001367	3	Gear, Planet	
2D	Use 70001367	84	Bearing, Needle	
2E	Use 70001367	3	Spacer, Thrust	
2F	Use 70001367	3	Pin, Roll	
2G	Use 70001367	12	Washer, Thrust	
2H	Use 70001367	1	Washer, Thrust	
3	70001368	1	Cover	
4	70001369	1	Shaft, Input	
5	70001370	1	Coupling	
6	70001371	1	Shaft, Sun Gear	
7	70001372	1	Spindle	
8	70001373	1	Gear, Ring	
9	Use 2780282	1	Housing	
10	Use 7017007	1	Bearing, Tapered-Cone	
11	Use 7017007	2	Bearing, Tapered-Cup	
12	Use 7017007	1	Bearing, Tapered-Cone	
13	7017009	1	Washer, Thrust	
14	Not Used			
15	Use 70001380	1	Seal, Lip	
16	70001374	1	Spring	
17	70001375	1	Ring, Retaining (Internal)	
18	Use 70001380	1	Ring, Retaining (External)	
19	7024738	1	Ring, Retaining (Internal)	
20	70001376	1	Ring, Retaining (External)	
21	70001377	1	Ring, Retaining (External)	
22	7000281	4	Screw (Not Shown - ID plate screws)	
23	7017022	3	Bolt, Flathead (Not Shown - Located on front of hub)	
24	Use 70001380	1	O-Ring	
25	Use 70001380	1	O-Ring	
26	70001378	1	Spacer, Thrust	
27	70001379	1	Washer, Thrust	
28	7024741	1	Spacer, Thrust	
29	7007640	9	Stud, Wheel	
30	Use 70001368	1	Flange, Plate	
31	Use 70001368	1	Cap, Disengage	
32	Use 70001368	1	Pin, Dowel	
33	Use 70001368	2	Bolt	

SECTION 1 FRAME

FIGURE 1-4. DRIVE HUB ASSEMBLY (S/N 0300154191 TO PRESENT) (CONTINUED)

ITEM #	PART NUMBER	QTY.	DESCRIPTION	REV.
34	Use 70001368	1	O-Ring	
35	Use 70001368	1	O-Ring	
36	Use 70001368	1	Plug	
		Ref.	KIT OPTIONS	
101	7017007	1	Planet Gear Bearing Kit (Includes Items 10-12)	
102	70001380	1	Planet Gear Seal Kit (Includes Items 15, 18, 24 & 25)	
103	70001368	1	Cap/Disengage Kit (Includes Items 30-36)	

SECTION 1 FRAME

FIGURE 1-4. DRIVE HUB ASSEMBLY (S/N 0300154191 TO PRESENT) (CONTINUED)

ITEM #	PART NUMBER	QTY.	DESCRIPTION	REV.

SECTION 1 FRAME

FIGURE 1-5. HYDRAULIC COMPONENTS INSTALLATION

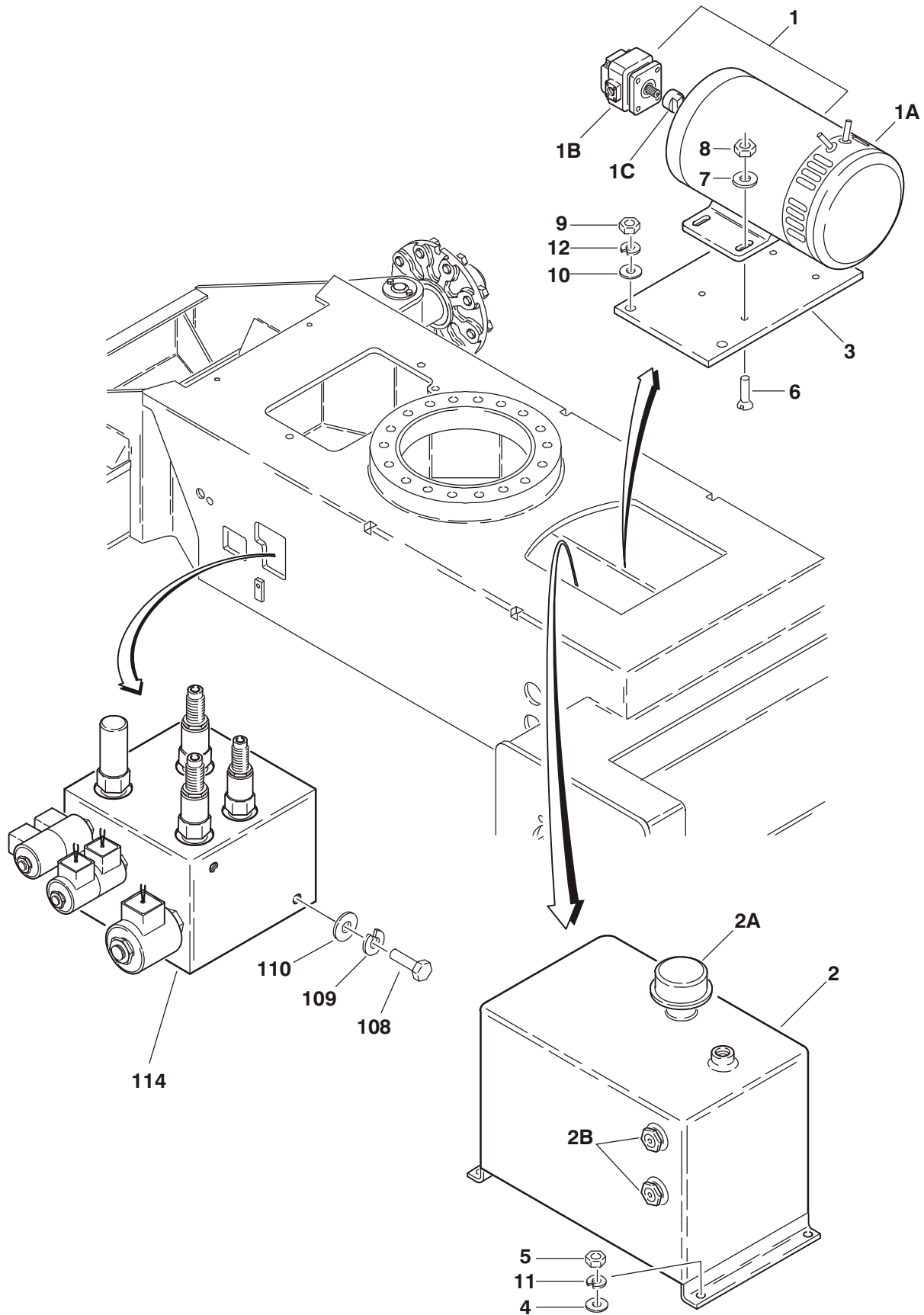
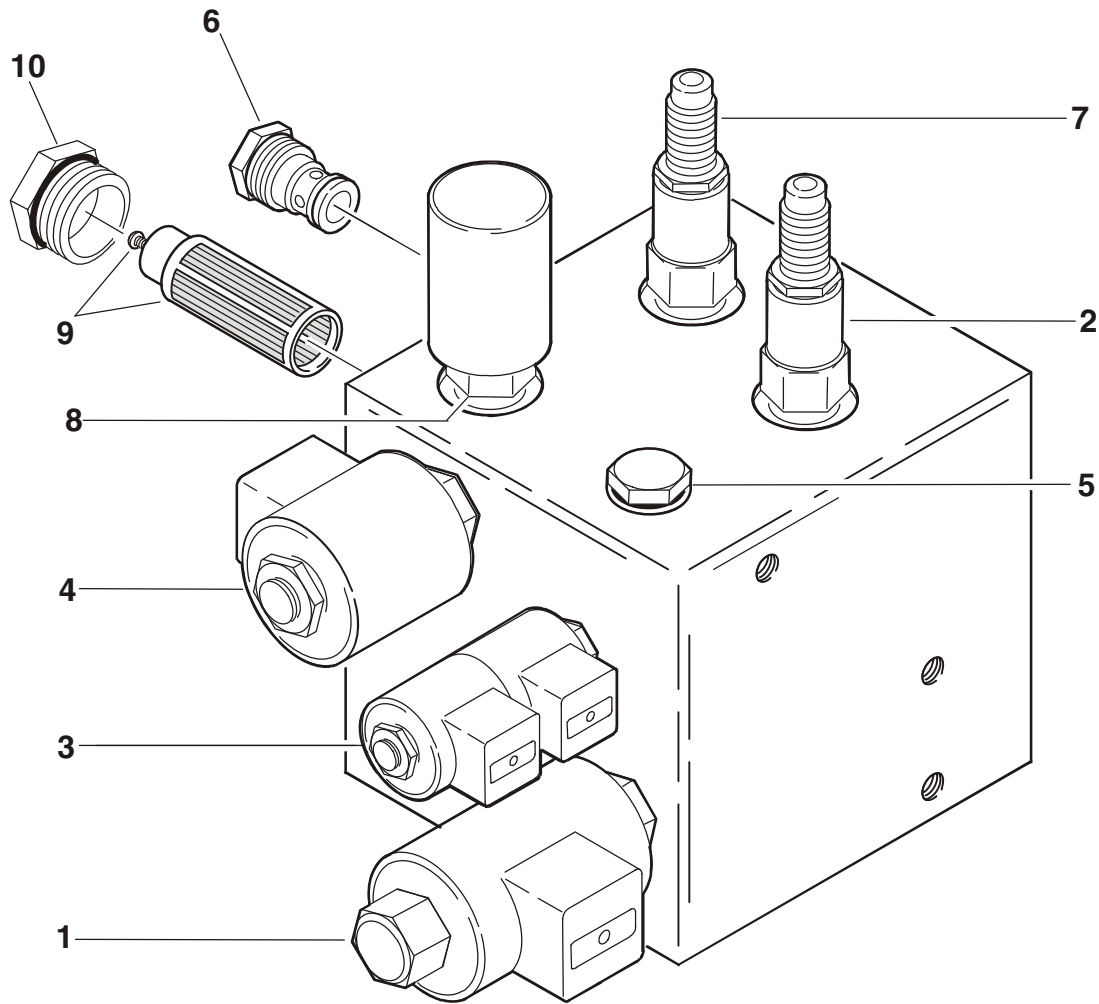


FIGURE 1-5. HYDRAULIC COMPONENTS INSTALLATION

ITEM #	PART NUMBER	QTY.	DESCRIPTION	REV.
	0257816	Ref.	HYDRAULIC MOTOR/PUMP/TANK INSTALLATION	4/C
1	3600289	1	Motor/Pump Assembly	
1A	7021318	1	Motor Assembly	
	Use 7021361	1	Brush Kit (was p/n 7021368)	
	70003171	4	Spring, Brush	
	70001961	1	Seal, Oil	
1B	7021319	1	Pump Assembly	
	7021377	1	Seal Kit (Note: Not Available for Purchase)	
1C	7021367	1	Coupling	
2	4400416	1	Hydraulic Tank Assembly	
2A	7021320	1	Cap	
2B	7021369	2	Gauge, Oil Level Sight	
	2220886	1	Plug, Non-magnetic Drain	
3	3571160	1	Plate, Mounting	
4	4711400	4	Flatwasher 1/4in Narrow	
5	3311405	4	Locknut 1/4in-20NC	
6	0741506	4	Screw, Flathead Countersink 5/16in-18NC x 3/4in	
7	4751500	4	Flatwasher 5/16in	
8	3311505	4	Locknut 5/16in-18NC	
9	3311605	2	Locknut 3/8in-16NC	
10	4751600	2	Flatwasher 3/8in	
11	4761400	4	Lockwasher 1/4in	
12	4761600	2	Lockwasher 3/8in	
		Ref.	VALVES INSTALLATIONS	
	0258034	Ref.	All E/M450A Models	E
	0259399	Ref.	All E/M450AJ Models	E
	0258034	Ref.	All E/M400A Models	E
	0259951	Ref.	All E/M400AJP Models	C
101 to 107	Not Used			
108	0641608	A/R	Bolt 3/8in-16NC x 1in	
109	4711600	A/R	Flatwasher 3/8in	
110	4761600	A/R	Lockwasher 3/8in	
111 to 113	Not Used			
114		1	Brake/Steer Control Valve Assembly Options: Prior to S/N 0300129142 (was p/n 4641149) S/N 0300129142 to Present	
	Use 1001097506			
	1001097506			
115 to 119	Not Used			
120	4922328	1	Harness Assembly - Brake/Steer Control Valve (Not Shown -See Section 7 for Breakdown)	

SECTION 1 FRAME

FIGURE 1-6. BRAKE/STEER VALVE ASSEMBLY



SECTION 1 FRAME

FIGURE 1-6. BRAKE/STEER VALVE ASSEMBLY

ITEM #	PART NUMBER	QTY.	DESCRIPTION	REV.
		Ref.	BRAKE/STEER VALVE ASSEMBLIES	
	4641149	Ref.	Hydro Air Brand (Prior to S/N 0300129142)	G
	1001097506	Ref.	Hydraforce Brand (S/N 0300129142 to Present)	B
1	7017450	1	Cartridge, Proportional without Coil Options: (Flow Control)	
	7021611		Prior to S/N 0300062645	
	7012518	1	S/N 0300062645 to Present	
	7021618	1	Seal Kit- 7017450/7021611 Cartridges	
2	7021659	1	Coil	
	7012972	1	Cartridge, Relief (Main)	
3	7017433	1	Seal Kit - 7021659 Cartridge	
	7017402	1	Cartridge (Steer)	
	7021609	2	Seal Kit - 7017433 Cartridge	
4	7012941	1	Coil	
	7010543	1	Cartridge without Coil (Brake Release)	
	7021609	1	Seal Kit - 7012941 Cartridge	
5	7022391	1	Coil	
	7012967	1	Cartridge, Check (was p/n 7017412)	
6	7010542	1	Seal Kit -7022391 Cartridge	
	7010543	1	Cartridge, Shuttle	
7	7017488	1	Seal Kit - 7010542 Cartridge	
	7012998	1	Cartridge, Relief (Steer) (was p/n 7017428)	
8	7021619	1	Seal Kit -7017488 Cartridge	
9	7021616	1	Switch, Pressure	
10	7024832	1	Cartridge, Filter	
			Plug	

SECTION 1 FRAME

FIGURE 1-7. BATTERIES AND CHARGER INSTALLATION

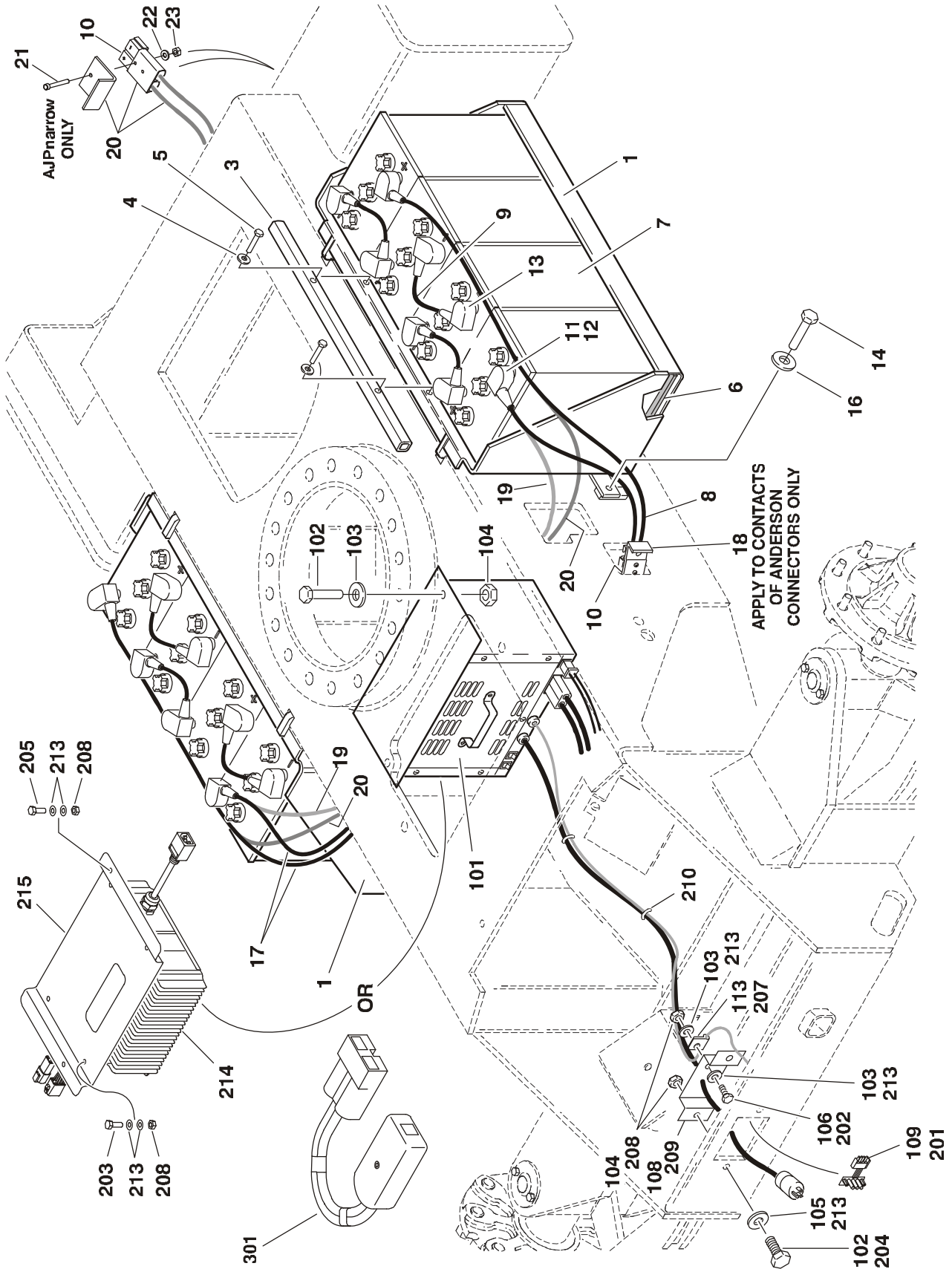


FIGURE 1-7. BATTERIES AND CHARGER INSTALLATION

ITEM #	PART NUMBER	QTY.	DESCRIPTION	REV.
		Ref.	BATTERIES INSTALLATION	
	0258689	Ref.	E/M450 Models Built Prior to S/N 0300059390	2/C
	0259763	Ref.	E/M450 Models Built S/N 0300059390 to Present	B
	0259763	Ref.	E/M400 Models	B
	1001150161	Ref.	E/M400 & E/M450 Models (AGM Batteries)	A
1		A/R	Battery Box Weldment Options:	
	4845846	2	Both Sides - E/M450 Models Prior to S/N 0300059390	
	4846106	1	Left Side - E/M450 Models S/N 0300059390 to Present	
	4846107	1	Right Side - E/M450 Models S/N 0300059390 to Present	
	4846106	1	Left Side - E/M400 Models	
	4846107	1	Right Side - E/M400 Models	
	1001150514	1	Left Side - E/M400 & E/M450 Models (AGM Batteries)	
	1001150513	1	Right Side - E/M400 & E/M450 Models (AGM Batteries)	
2	Not Used			
3		2	Battery Hold Down Options:	
	4567679		E/M450 Models Prior to S/N 0300059390	
	0182010		E/M450 Models S/N 0300059390 to Present	
	0182010		E/M400 Models	
	1001150181		E/M400 & E/M450 Models (AGM Batteries)	
4	4711500	4	Flatwasher 5/16in Narrow	
5	0641514	4	Bolt 5/16in-18NC x 1-3/4in	
	0641504	4	Bolt 5/16in-18NC x 1/2in	
	0641506	4	Bolt 5/16in-18NC x 3/4in	
6	3000003	2	Liner, Battery Box	
7		8	Battery Options:	
	0400055		Wet	
	7016177		Dry	
	1001114782		Wet (AGM Battery)	
8		A/R	Cable, Battery (Left)	
	1060760	1	E/M450 Models Built Prior to S/N 0300059390	
	See Note	0	E/M450 Models Built S/N 0300059390 to Present (Note: See Item 19 & 20)	
	See Note	0	E/M400 Models (Note: See Item 19 & 20)	
	See Note	0	E/M400 & E/M450 Models (AGM Batteries) (Note: See Item 19 & 20)	
9	1060092	6	Cable, Battery	
10	0100048	A/R	Adhesive, Silicone	
11	0100051	A/R	Grease, Terminal	
12	0840031	8	Boot, Terminal ("d" shape)	
13	0840032	8	Boot, Terminal ("b" shape)	
14	0641808	4	Bolt 1/2in-13NC x 1in	
	0641813	8	Bolt 1/2in-13NC x 1- 5/8in	
15	Not Used			
16	4711800	8	Flatwasher 1/2in Narrow	
	4751800	8	Flatwasher 1/2in Wide	

SECTION 1 FRAME

FIGURE 1-7. BATTERIES AND CHARGER INSTALLATION (CONTINUED)

ITEM #	PART NUMBER	QTY.	DESCRIPTION	REV.
17		A/R	Cable, Battery (Right)	
	1060761	1	E/M450 Models Built Prior to S/N 0300059390	
	See Note	0	E/M450 Models Built S/N 0300059390 to Present (Note: See Item 19 & 20)	
	See Note	0	E/M400 Models (Note: See Item 19 & 20)	
	See Note	0	E/M400 & E/M450 Models (AGM Batteries) (Note: See Item 19 & 20)	
18	1320172	2	Clamp, Cable	
19		A/R	Cable, Battery (Battery to Battery)	
	See Note	0	E/M450 Models Prior to S/N 0300059390 (Note: See Item 8 & 17)	
	1060811	1	E/M450 Models S/N 0300059390 to Present	
	1060811	1	E/M400 Models	
	1060811	1	E/M400 & E/M450 Models (AGM Batteries)	
20		A/R	Cable, Battery (Battery to Clamp)	
	See Note	0	E/M450 Models Prior to S/N 0300059390 (Note: See Item 8 & 17)	
	1060809	1	E/M450 Models S/N 0300059390 to Present	
	1060809	1	E/M400 Models	
	1060809	1	E/M400 & E/M450 Models (AGM Batteries)	
21	3311405	2	Locknut 1/4in-20NC	
22	3931430	2	Capscrew, Socket Head 1/4in-20NC x 1-7/8in	
23	4711400	2	Flatwasher 1/4in Narrow	
		Ref.	BATTERY CHARGER INSTALLATIONS	
	0259826	Ref.	CE Spec (110V/220V - Auto Seeking Hz)	3
	0259693	Ref.	Australian Spec (250V - Auto Seeking Hz)	3
101		1	MAC Battery Charger Assembly Options Note: See Figure 1-8 for Replacement Parts for MAC Chargers. To replace complete charger use kit p/n 1001123046. Kit includes Items 214, 215, mounting hardware & connecting harnesses.	
	Use 1001123046		CE Spec (110V/220V - Auto Seeking Hz) (was p/n 0400197)	
	Use 1001123046		Australian Spec (250V - Auto Seeking Hz) (was p/n 0400195)	
102	0641408	4	Bolt 1/4in-20NC x 1in	
103	4711400	6	Flatwasher 1/4in Narrow	
104	3311405	5	Locknut 1/4in-20NC	
105	4711400	2	Washer 1/4in (Narrow)	
106	0641404	1	Bolt 1/4in-20NC x 1/2in	
107	Not Used	1		
108	3571834	1	Plate, Panel	
109	0610131	1	Charger LED Assembly	
110 to 112	Not Used			
113	1320136	1	Clamp, Insulated	

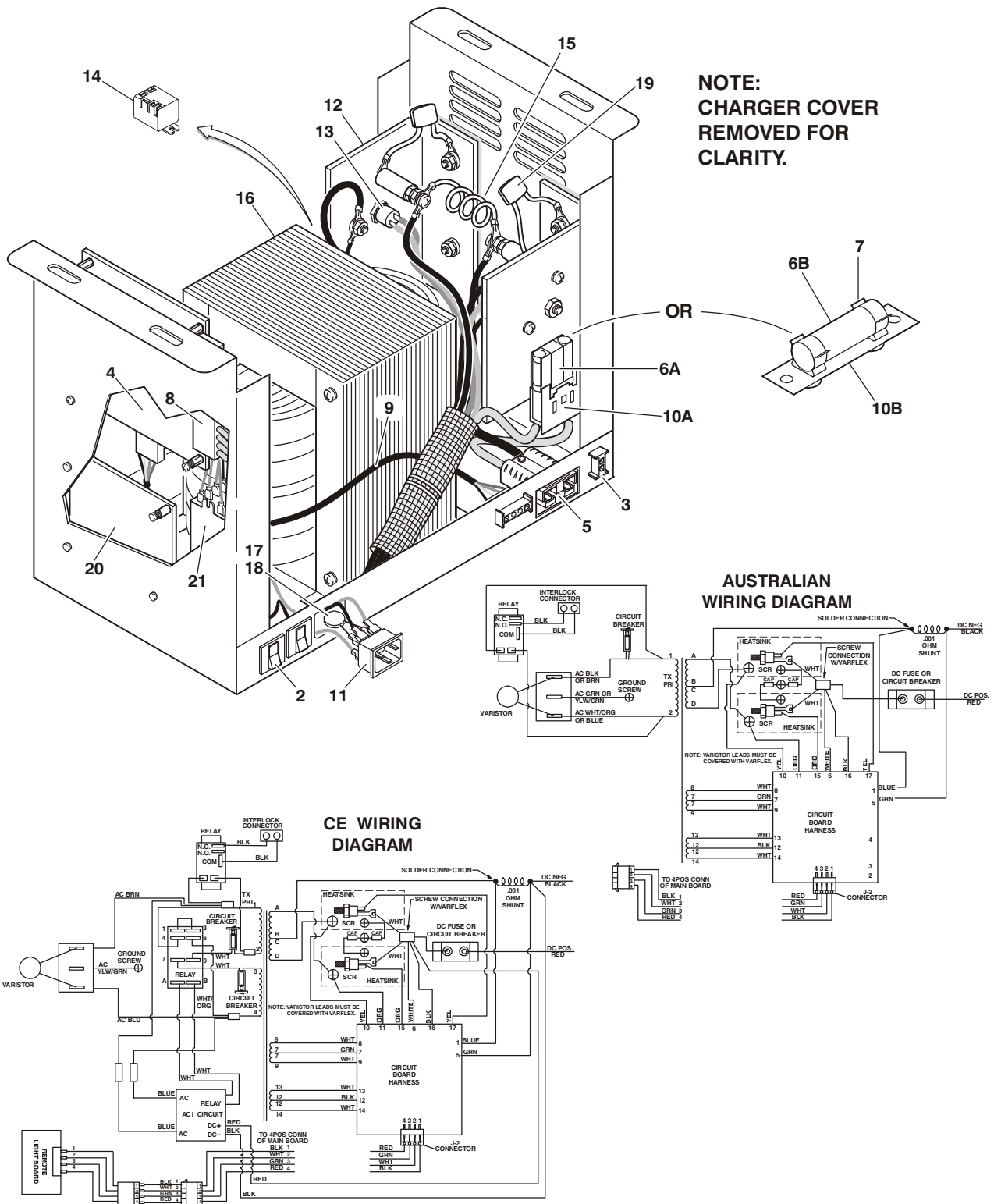
SECTION 1 FRAME

FIGURE 1-7. BATTERIES AND CHARGER INSTALLATION (CONTINUED)

ITEM #	PART NUMBER	QTY.	DESCRIPTION	REV.
		Ref.	DELTA-Q BATTERY CHARGER INSTALLATIONS (S/N 0300144567 TO PRESENT)	
	1001123052	Ref.	Machines with Factory Plug (Australian Specs)	B
	1001107780	Ref.	Machines with Locally Supplied Plug (CE Spec)	B
201	0610131	1	Charger LED Assembly	
202	0641404	1	Bolt 1/4in-20NC x 1/2in	
203	0641405	4	Bolt 1/4in-20NC x 5/8in	
204	0641406	2	Bolt 1/4in-20NC x 3/4in	
205	0641408	2	Bolt 1/4in-20NC x 1in	
206	Not Used			
207	1320136	1	Clamp, Insulated	
208	3311405	9	Locknut 1/4in-20NC	
209	3571834	1	Plate, Panel	
210	4240033	4	Tie-Strap	
211 to 212	Not Used			
213	4711400	16	Flatwasher 1/4in Thin	
214	1001103105	1	Battery Charger Assembly (See Section 7 for Breakdown)	
215	1001107779	1	Plate, Battery Charger Mounting	
301	Use 2915230	1	BATTERY CHARGER REPROGRAM CONTROLLER KIT (WAS P/N 1600466)	

SECTION 1 FRAME

FIGURE 1-8. MAC BATTERY CHARGER ASSEMBLY



SECTION 1 FRAME

FIGURE 1-8. MAC BATTERY CHARGER ASSEMBLY

ITEM #	PART NUMBER	QTY.	DESCRIPTION	REV.
		Ref.	Note: Refer to battery charger serial number nameplate for build date. Example: BA515 (Spec) 9631 (Date Code). First and second digits in the date code indicate year. Third and fourth digits indicate the week of manufacture.	
		Ref.	Note: When replacing complete charger use kit p/n 1001123046.	
		Ref.	BATTERY CHARGER ASSEMBLIES	
	0400197	Ref.	CE Spec (110/220V - Auto Seeking Hz)	B
	0400195	Ref.	Australian Spec (250V -Auto Seeking Hz)	B
1	Not Used			
2		A/R	Breaker, Circuit Options:	
	7020653	2	CE Spec (0400197 Charger)	
	7018525	1	Australian Spec (0400195 Charger)	
3	7011621	1	Connector, Enable Switch	
4		1	Circuit, Control Options:	
	Use 7022908		CE Spec (0400197 Charger Prior to Date Code 0143) (was p/n 7022902)	
	7022925		CE Spec (0400197 Charger Date Code 0143 to Present)	
	7020685		Australian Spec (0400195 Charger)	
5		1	DC Cord Assembly	
	7020644		Charger with Automotive Fuse	
	7022909		Charger with Bussman Fuse	
6		1	Fuse Options:	
6A	7020690		Automotive Fuse Assembly	
	7020691		Automotive Fuse	
6B	7011593		Bussman Fuse	
7	7011577	2	Clip, Fuse	
8	7020697	1	Harness	
9	7020693	1	Harness	
10		1	Holder, Fuse	
10A	7018571		Automotive Fuse	
10B	7011594		Bussman Fuse	
11	7020648	1	Plug, AC Inlet	
12	7020649	2	Rectifier Assembly	
13	7020650	1	Rectifier, SCR 40-Amp	
14		1	Relay (Black) Options:	
	7018564		CE Spec 0400197 Charger	
	7018563		Australian Spec 0400195 Charger (240V Relay) (Used Prior to MAC Charger S/N 06416736)	
	7018564		Australian Spec 0400195 Charger (120V Relay) (Used MAC Charger S/N 06416736 to Present)	
15	7020651	1	Shunt Assembly	
16		1	Transformer, Main Options:	
	7022905		CE Spec (0400197 Charger)	
	7020699		Australian Spec (0400195 Charger)	
17	7018537	1	Varistor Assembly	
18	7020663	1	Varistor	

SECTION 1 FRAME

FIGURE 1-8. MAC BATTERY CHARGER ASSEMBLY (CONTINUED)

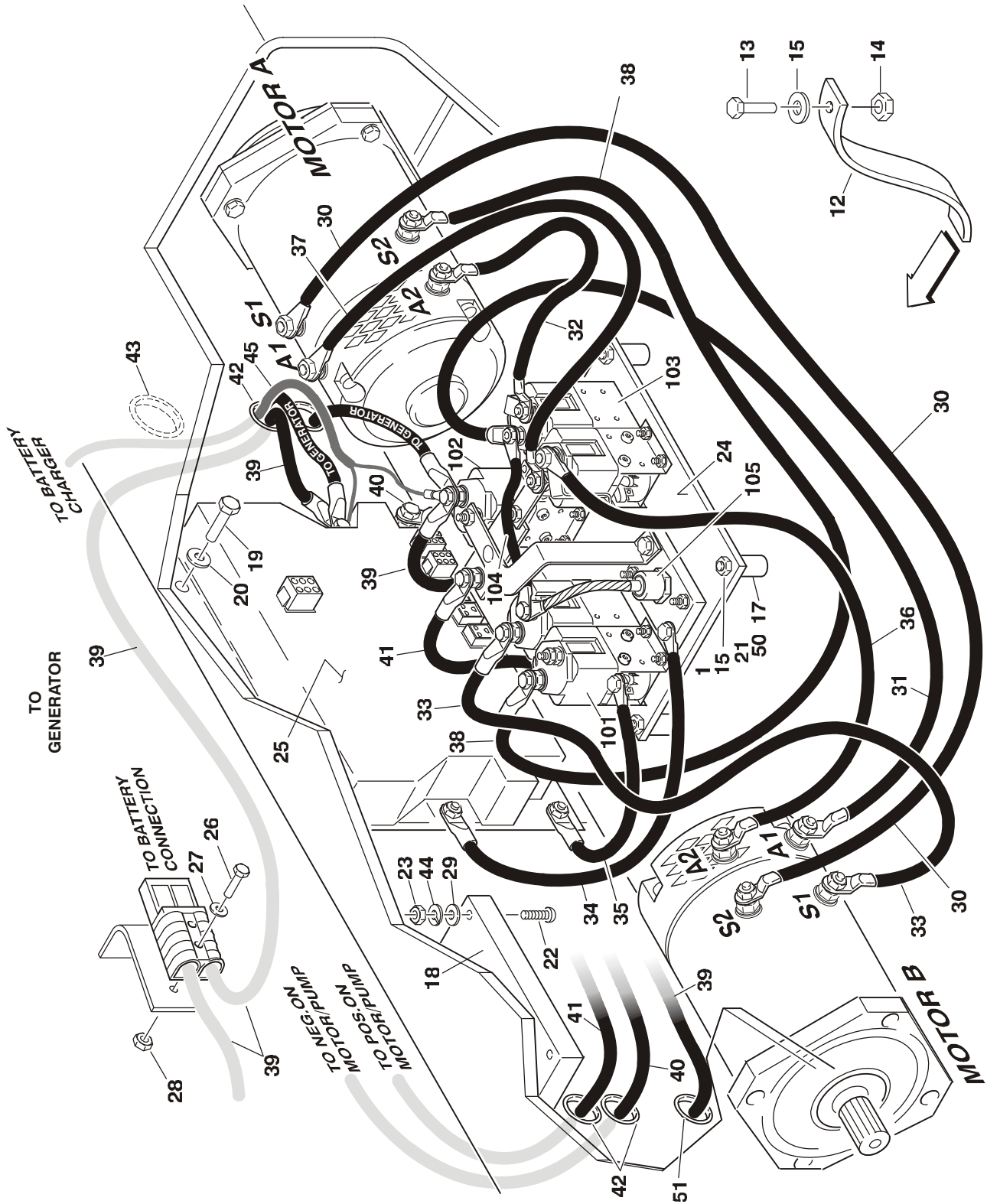
ITEM #	PART NUMBER	QTY.	DESCRIPTION	REV.
19	7018577	A/R	Capacitor Assembly Options:	A
	Not Required	2	CE Spec (0400197 Charger)	
20	7022903	0	Australian Spec (0400195 Charger)	
	Not Required	A/R	Control, AC1-48V Options:	
21	7020654	1	CE Spec (0400197 Charger)	
	Not Required	0	Australian Spec (0400195 Charger)	
		A/R	Relay, 24VDC-30A (Clear) Options:	
		2	CE Spec (0400197 Charger)	
		0	Australian Spec (0400195 Charger)	

FIGURE 1-8. MAC BATTERY CHARGER ASSEMBLY (CONTINUED)

ITEM #	PART NUMBER	QTY.	DESCRIPTION	REV.

SECTION 1 FRAME

FIGURE 1-9. ELECTRICAL COMPONENTS INSTALLATION (FRAMED MOUNTED)



SECTION 1 FRAME

FIGURE 1-9. ELECTRICAL COMPONENTS INSTALLATION (FRAMED MOUNTED)

ITEM #	PART NUMBER	QTY.	DESCRIPTION	REV.
		Ref.	CONTACTOR INSTALLATION OPTIONS:	
	0259069	Ref.	Standard Spec E/M450 Models Prior to S/N 0300059390	7
	0270103	Ref.	Standard Spec E/M450 Models S/N 0300059390 to Present	B
	0270103	Ref.	Standard Spec E/M400 Models	B
1	0100019	A/R	Compound, Locking (Prior to S/N 0300078578)	
2 to 11	Not Used			
12	4240084	1	Strap, Static	
13	0641508	1	Bolt 5/16in-18NC x 1in	
14	3311505	1	Locknut 5/16in-15NC	
15	4751500	10	Flatwasher 5/16in	
16	Not Used			
17		4	Hardware Options:	
	4300135		Stud, Stand-Off (Prior to S/N 0300078578)	
	4568114		Spacer, Tube (S/N 0300078578 to Present)	
18	1600293	1	Module (Positrac/Tilt) (Note: Calibration required when replaced)	
19	0641406	6	Bolt 1/4in-20NC x 3/4in	
20	4761400	6	Lockwasher 1/4in	
21	3311505	A/R	Nut 5/16in-18NC	
22	3910636	4	Screw #6-32NC x 2-1/4in	
23	3310601	4	Nut #10-24NC	
24	1600294	1	Contacting Plate Assembly (See Items 101-103 for Breakdown)	
25	1600292	1	Module, Power	
26	3931430	A/R	Capscrew, Socket Head 1/4in-20NC x 2in	
27	4711400	A/R	Flatwasher 1/4in	
28	3311405	A/R	Locknut 1/4in-20NC	
29	4750600	4	Flatwasher #6	
30	1060717	1	Cable, Electrical (Motor B S1 to Motor A S2)	
31	1060718	1	Cable, Electrical (Motor B A1 to Contacting Plate MB1)	
32	1060719	1	Cable, Electrical (Motor A A2 to Contacting Plate MA2)	
33	1060720	1	Cable, Electrical (Motor B A2 to Contacting Plate SB1)	
34	1060721	1	Cable, Electrical (Power Module A to Contacting Plate)	
35	1060722	1	Cable, Electrical (Power Module B+ to Contacting Plate)	
36	1060723	1	Cable, Electrical (Motor B S2 to Contacting Plate MB2)	
37	1060724	1	Cable, Electrical (Motor A A1 to Contacting Plate MA1)	
38	1060725	1	Cable, Electrical (Motor A S1 to Contacting Plate SA1)	
39		1	Cable, Electrical Options: (Contacting Plate to Batteries)	
	1060726		Standard Spec E/M450 Models Prior to S/N 0300059390	
	1060810		Standard Spec E/M450 Models S/N 0300059390 to Present	
	1060810		Standard Spec E/M400 Models	
40	1060727	1	Cable, Electrical (Module to Hydraulic Pump Motor -)	
41	1060728	1	Cable, Electrical (Contacting Plate to Hydraulic Pump Motor +)	
42	2540019	4	Grommet	
43	2540021	1	Grommet	
44	4760600	4	Lockwasher #6	
45	4922103	1	Cable, Electrical (Contacting/Module to Charger)	
	4460444	1	Connector, DC	

SECTION 1 FRAME

FIGURE 1-9. ELECTRICAL COMPONENTS INSTALLATION (FRAMED MOUNTED)

ITEM #	PART NUMBER	QTY.	DESCRIPTION	REV.
46	Not Required	A/R	Clamp, Cable Options (Not Shown - Located on Item 39):	
	1320172	0	Standard Spec E/M450 Models Prior to S/N 0300059390	
	1320172	1	Standard Spec E/M450 Models S/N 0300059390 to Present	
	1320172	1	Standard Spec E/M400 Models	
47 to 49	Not Used			
50	0641524	4	Bolt 5/16in-18NC x 3in (S/N 0300078578 to Present)	
51	2540020	1	Grommet (S/N 0300101253 to Present)	

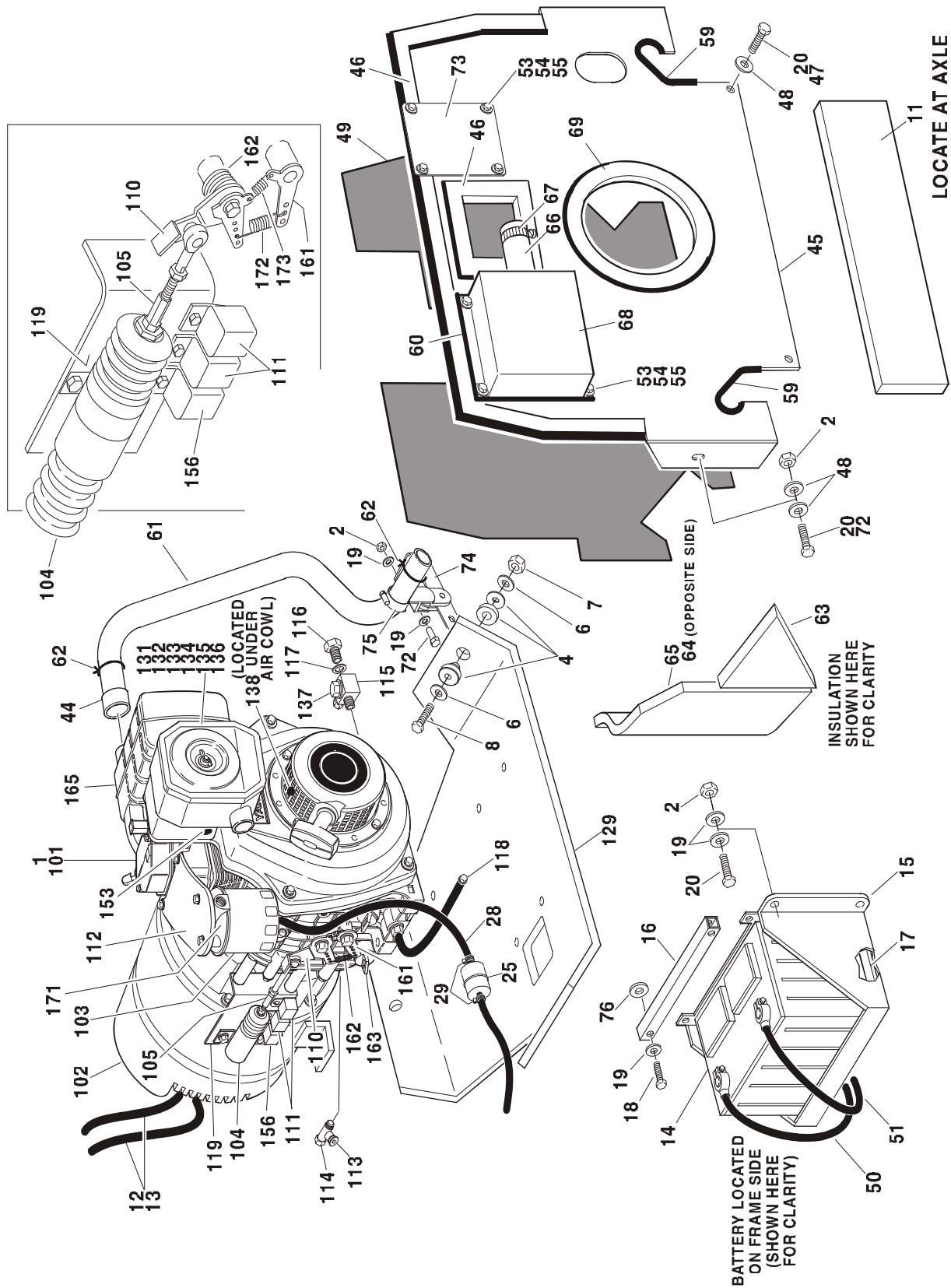
52	2902046		Electrical Cable Kit (Includes Items 30 - 41	1
53 to 97	Not Used			
	1600294	Ref.	CONTACTOR PLATE ASSEMBLY	E
98	7022003	1	Harness, Contactor (Not Shown) (See Section 7 for Breakdown)	
99	7022004	1	Harness, Posi-Track Contactor (Not Shown) (See Section 7 for Breakdown)	
100	7022005	1	Harness, Shunt (Not Shown) (See Section 7 for Breakdown)	
101	7022002	1	Contactor (Forward/Reverse)	
102	7022001	1	Contactor (Main)	
103	7022000	1	Contactor (Posi-Track)	
104	7022012	1	Cable, Power	
105	7022011	1	Diode, Power	

FIGURE 1-9. ELECTRICAL COMPONENTS INSTALLATION (FRAMED MOUNTED)

ITEM #	PART NUMBER	QTY.	DESCRIPTION	REV.

SECTION 1 FRAME

FIGURE 1-10. YANMAR MOTOR/GENERATOR INSTALLATION (M450 & M400 ONLY)



SECTION 1 FRAME

FIGURE 1-10. YANMAR MOTOR/GENERATOR INSTALLATION (M450 & M400 ONLY)

ITEM #	PART NUMBER	QTY.	DESCRIPTION	REV.
		Ref.	MOTOR/GENERATOR INSTALLATION (YANMAR DIESEL)	
	0257824	Ref.	All M450 Models Built Prior to S/N 0300059390	11
	0270344	Ref.	All M450 Models Built S/N 0300059390 to S/N 0300079057	5/B
	0270344	Ref.	All M400 Models Prior to S/N 0300079057	5/B
	0273573	Ref.	All M450/M400 Models S/N 0300079057 to S/N 0300088539	C
1		1	Motor/Generator Assembly Options: (See Items 101 to 173 for Breakdown)	
	0257858		Prior to S/N 0300063771	
	0271641		S/N 0300063771 to S/N 0300088539	
2	3311505	A/R	Locknut 5/16in-18NC	
3	Not Used			
4	3200404	3	Mount, Insolation	
5	Not Used			
6	4751600	6	Flatwasher 3/8in	
7	3311605	3	Locknut 3/8in-16NC	
8	0641618	3	Bolt 3/8in-16NC x 2-1/4in	
9 to 10	Not Used			
11	2820117	1	Foam, Sound (Steer Axle)	
12	1060755	1	Cable, Battery (Includes Terminal Boot) (+ Generator)	
13	1060754	1	Cable, Battery (Includes Terminal Boot) (- Generator)	
14	0400201	1	Battery	
15		1	Starter Battery Tray Options:	
	4845642		M450 Models Built Prior to S/N 0300059390	
	Not Required		M450 Models Built S/N 0300059390 to S/N 0300088539 (Welded-In Part of Battery Tray)	
	Not Required		M400 Models (Welded-In Part of Battery Tray)	
16		1	Battery Hold Down Options:	
	4220179		M450 Models Built Prior to S/N 0300056547	
	0362966		M450 Models Built S/N 0300056547 to S/N 0300059390	
	4220179		M450 Models Built S/N 0300059390 to S/N 0300079057	
	4220179		M400 Models Prior to S/N 0300079057	
	0362966		M450/M400 Models Built S/N 0300079057 to S/N 0300088539	
17	3980035	1	Battery Seat	
18		2	Bolt Options:	
	0641518		Bolt 5/16in-18NC x 1-5/8in (Prior to S/N 0300079057)	
	0641512		Bolt 5/16in-18NC x 1-1/2in (S/N 0300079057 to S/N 0300088539)	
19	4711500	6	Flatwasher 5/16in Narrow	
20	0641505	A/R	Bolt 5/16in-18NC x 5/8in	
21 to 24	Not Used			
25	2120042	1	Filter, In-Line Fuel	
26 to 27	Not Used			
28	2720058	12ft/3.7m	Hose	
29	1320022	7	Clamp, Hose	
30 to 32	Not Used			
33	4240033	8	Strap, Tie	
34 to 43	Not Used			
44	4567845	1	Tube, Exhaust	

SECTION 1 FRAME

FIGURE 1-10. YANMAR MOTOR/GENERATOR INSTALLATION (M450 & M400 ONLY)

ITEM #	PART NUMBER	QTY.	DESCRIPTION	REV.
45		1	Shield, Heat Options:	
	3571401	1	Prior to S/N 0300079057	
	3380510	1	S/N 0300079057 to S/N 0300088539	
46	3960389	5ft/1.5m	Seal	
47	0100011	A/R	Compound, Locking	
48	4751500	6	Flatwasher 5/16in	
49		1	Insulation Options:	
	2820107		Prior to S/N 0300079057	
	2820165		S/N 0300079057 to S/N 0300088539	
50	1060731	1	Cable, Battery (Includes Terminal Boot) (- Battery to Ground)	
51	1060730	1	Cable, Battery (Includes Terminal Boot) (+ Battery to Starter)	
52	Not Used			
53	0641406	A/R	Bolt 1/4in-20NC x 3/4in	
54	4711400	A/R	Flatwasher 1/4in Narrow	
55	3311405	A/R	Locknut 1/4in-20NC	
56 to 58	Not Used			
59	4060803	A/R	Flex-Trim	
		16in/4.9m	Prior to S/N 0300079057	
		27in/69cm	S/N 0300079057 to S/N 0300088539	
60	3960417	28in/71cm	Seal	
61	4100025	A/R	Sleeve, Fiberglass	
		26in/66cm	Prior to S/N 0300079057	
		12in/30cm	S/N 0300079057 to S/N 0300088539	
62	4920385	7in/18cm	Wire, Safety	
63	2820111	2	Insulation	
64	2820112	1	Insulation (Right Side)	
65	2820116	1	Insulation (Left Side)	
66	2720455	1	Hose	
67	1320012	2	Clamp	
68	0259481	1	Plenum Box Assembly	
69	3960418	3ft/.9m	Seal	
70	4922319	1	Harness, Generator (Not Shown - See Section 7 for Breakdown)	
71	4460267	1	Socket, Female (Not Shown - See Section 7 for Call-Out)	
72	0641507	2	Bolt 5/16in-18NC x 7/8in (S/N 0300061430 to S/N 0300088539 Only)	
73	3380511	1	Shield, Heat (S/N 0300079057 to S/N 0300088539)	
74	0903099	1	Bracket, Exhaust Hanger (S/N 0300079057 to S/N 0300088539)	
75		1	Clamp Options:	
	1320033		S/N 0300079057 to S/N 0300079827	
	1320135		S/N 0300079827 to S/N 0300088539	
76	4891600	2	Flatwasher Hardened 3/8in (S/N 0300079057 to S/N 0300088539)	
		Ref.	MOTOR/GENERATOR ASSEMBLY	
	0257858	Ref.	Prior to S/N 63771	E
	0271641	Ref.	S/N 63771 to S/N 88539	C
101	7018126	1	Motor, Yanmar	

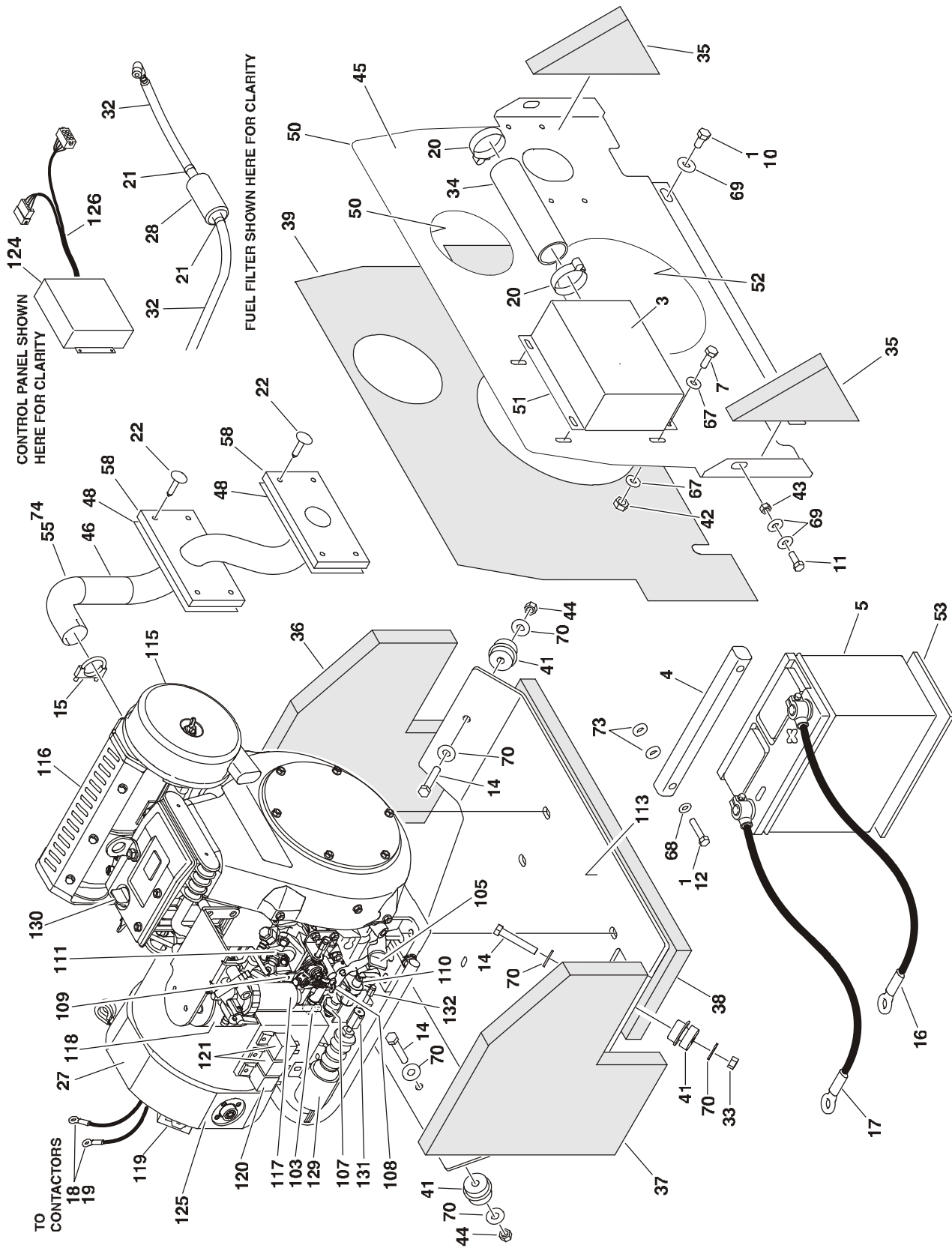
SECTION 1 FRAME

FIGURE 1-10. YANMAR MOTOR/GENERATOR INSTALLATION (M450 & M400 ONLY)

ITEM #	PART NUMBER	QTY.	DESCRIPTION	REV.
102	7020203	1	Alternator Options: Prior to S/N 63771	
	7023485		S/N 63771 to S/N 88539	
103	See Note	1	Filter, Oil with Element (Note: Not Available for Purchase)	
	7020215	1	Element, Oil	
104	7020167	1	Solenoid, Throttle	
105	7020166	1	Swivel, In-line	
106 to 109	Not Used			
110	7018125	1	Handle, Regulator	
111	Use 70000323	2	Relay, Bosch (was p/n 7020207)	
112	3571412	1	Plate, Mounting, Oil Filter	
113	7018127	1	Switch, Pressure	
114	7020164	1	Fitting, Adapter	
115	7020163	1	Adapter, Oil Drain	
116	7020162	1	Bolt, Banjo	
117	See Note	1	Washer, Rubber (Note: Not Available for Purchase)	
118	7020204	1	Drain Line Assembly	
119	7020161	1	Bracket	
120 to 128	Not Used			
129	3570581	1	Baseplate	
130	Not Used			
131	7020160	1	Flange, Air Intake	
132	7020159	1	Flange, Air Intake	
133	7020165	1	Plate, Air Intake Adapter	
134	7018123	2	Gasket, Air Cleaner	
135	7018122	2	Gasket, Air Adapter	
136	7018124	1	Cover, Air Filter	
137	7020158	1	Probe, Temperature	
138	7020157	1	Bracket, Magnetic Pick-Up	
139 to 152	Not Used			
153	7020206	1	Sensor, Hall Effect Zero Speed	
154 to 155	Not Used			
156	7023274	1	Relay, Sealed 14VDC/40Amp	
157 to 160	Not Used			
161	7020197	1	Lever	
162	7020198	1	Spring	
163	7020199	1	Dipstick	
164	7020200	1	Regulator, Voltage (Not Shown - Located Below Starter)	
165	7020201	1	Muffler	
166	7020202	1	Starter (Not Shown - Located Below Muffler)	
167	7020217	1	Element, Air Cleaner (Washable)	
168	7018142	1	Pump, Fuel (Not Shown - Located on Top of Cylinder Block)	
169	7023349	1	Fuse, Control - 15 Amp (Not Shown - Located on Right Side of Engine)	
170	7023350	1	Fuse, Dynamo Output - 20 Amp (Not Shown - Located on Left Side of Engine)	
171	7023489	1	Head, Filter	
172	7026669	1	Spring, Governor	
173	7026670	1	Spring, Return	

SECTION 1 FRAME

FIGURE 1-11. KUBOTA MOTOR/GENERATOR INSTALLATION (M400 & M450 ONLY)



SECTION 1 FRAME

FIGURE 1-11. KUBOTA MOTOR/GENERATOR INSTALLATION (M400 & M450 ONLY)

ITEM #	PART NUMBER	QTY.	DESCRIPTION	REV.
		Ref.	MOTOR/GENERATOR INSTALLATION (KUBOTA DIESEL)	
	0274617	Ref.	All M400 & M450 Models Built S/N 0300088539 to Present	F
1	0100011	A/R	Compound, Locking	
2	Not Used			
3	0259481	1	Plenum Box Assembly	
4	0362966	1	Tube, Battery Hold-Down	
5	0400201	1	Battery	
6	Not Used			
7	0641406	4	Bolt 1/4in-20NC x 3/4in	
8 to 9	Not Used			
10	0641505	2	Bolt 5/16in-18NC x 5/8in	
11	0641507	2	Bolt 5/16in-18NC x 7/8in	
12	0641512	2	Bolt 5/16in-18NC x 1-1/2in	
13	Not Used			
14	0641618	3	Bolt 3/8in-16NC x 2-1/4in	
15	1320135	1	Clamp	
16	1060730	1	Cable, Battery (Battery +)	
17	1060731	1	Cable, Battery (Battery -)	
18	1060754	1	Cable, Battery (Includes Terminal Boot) (- Generator)	
19	1060755	1	Cable, Battery (Includes Terminal Boot) (+ Generator)	
20	1320012	2	Clamp	
21	1320022	4	Clamp	
22	1380164	8	Clip	
23 to 26	Not Used			
27	2000320	1	Kubota Engine Assembly	
28	2120042	1	Filter, In-Line Fuel (S/N 0300088539 to S/N 0300093848)	
29 to 31	Not Used			
32	2720058	1ft/.3m	Hose	
33	Not Used			
34	2720559	1	Hose, Air Intake	
35	2820111	2	Insulation	
36	2820112	1	Insulation (Right Side)	
37	2820116	1	Insulation (Left Side)	
38	2820117	1	Foam, Sound (Steer Axle)	
39	2820218	2	Insulation, Acoustic Barrier	
40	Not Used			
41		3	Mount, Insolated Engine Options: Prior to S/N 0300145130 S/N 0300145130 to Present	
42	3200404 1001125248			
43	3311405	4	Locknut 1/4in-20NC	
44	3311505	2	Locknut 5/16in-18NC	
45	3311605	3	Locknut 3/8in-16NC	
46	3380602	1	Shield, Heat	
47	3460457	1	Pipe, Exhaust	
48	Not Used			
49	3575961	1	Plate, Exhaust Mounting	
50	Not Used			
50	3960389	5ft/1.5m	Seal	

SECTION 1 FRAME

FIGURE 1-11. KUBOTA MOTOR/GENERATOR INSTALLATION (M400 & M450 ONLY)

ITEM #	PART NUMBER	QTY.	DESCRIPTION	REV.
51	3960417	28in/71cm	Seal	
52	3960418	3ft/.9m	Seal	
53	3980035	1	Battery Seat	
54	Not Used			
55	4100025	22in/55cm	Sleeve, Fiberglass	
56 to 57	Not Used			
58	4341072	2	Support, Exhaust Mount	
59 to 66	Not Used			
67	4711400	8	Flatwasher 1/4in Narrow	
68	4711500	6	Flatwasher 5/16in Narrow	
69	4751500	6	Flatwasher 5/16in Wide	
70	4751600	6	Flatwasher 3/8in Wide	
71 to 72	Not Used			
73	4891600	2	Flatwasher 3/8in Hardened	
74	4920385	6in/15cm	Wire, Safety	
		Ref.	MOTOR/GENERATOR ASSEMBLY	
	2000320	Ref.	S/N 0300088539 to Present	E
101	Use 70003557	1	Regulator, Voltage (Not Shown - Located on Opposite Side of Engine) (was p/n 70000289)	
102	70000290	1	Glow Plug (Not Shown)	
	70000291	1	Harness, Glow Plug (Not Shown)	
103	70000292	1	Screen, Oil Sump (Includes O-Ring)	
104	70000293	1	Cap, Oil Filler (Includes O-Ring) (Not Shown - Located on the Engine Block - See Item 130 for Fill Cap on Top of Head)	
105	70000294	1	Dipstick	
106	70000295	1	Pump, Oil Rotor (Not Shown - Located Beside Item 107)	
	70000296	1	O-Ring, Oil Rotor Pump (Not Shown)	
107	70000297	1	Switch, Oil	
108	70000298	1	Lever, Governor	
	70000299	1	Pin, Governor Lever	
	70000300	1	Spring, Governor Lever	
109	70000301	1	Spring, Idling	
	70000304	1	Lever, Spring Control	
	70000305	1	Spring, Stop (Speed Control Lever)	
110	70000302	1	Valve, Fuel Limit (Not Shown)	
	70000303	1	Gasket, Fuel Limit Valve (Not Shown)	
111	70000306	1	Pump, Injection	
	70000307	1	Kit, Pump Adjustment Shim	
112	70000308	1	Flywheel/Ring Gear Assembly (Not Shown - Located Behind Front Cover)	
	70000309	1	Ring Gear (Not Shown)	
	70001121	1	Stator, Engine (Not Shown - Located Behind Flywheel) (Includes Coil & Grommet)	
113	3575952	1	Tray, Engine	
114	70000311	1	Solenoid, Starter (Not Shown - Located on Opposite Side of Engine)	

SECTION 1 FRAME

FIGURE 1-11. KUBOTA MOTOR/GENERATOR INSTALLATION (M400 & M450 ONLY)

ITEM #	PART NUMBER	QTY.	DESCRIPTION	REV.
115	70000312	1	Air Cleaner Assembly	
	70000313	1	Element, Air Cleaner	
	70000314	1	Gasket, Air Cleaner	
116	70000315	1	Muffler Assembly	
	70000316	1	Gasket, Muffler	
117	70000317	1	Inline Fuel Check Valve Assembly (Not Shown)	
	70000967	1	Fuel Filter Assembly	
	70000318	1	Element, Fuel Filter	
118	70000319	1	Element, Oil Filter	
	70001144	1	Head, Oil Filter Head (Note: Does not include element)	
119	70000320	1	Pump, Fuel	
120	70000322	1	Relay	
121	70000323	2	Relay	
122	70000324	1	Sensor, Speed (Not Shown - Located Inside Front Cover)	
123	70000325	1	Sensor, Oil Temperature (Not Shown - Located on Opposite Side of Engine on Base)	
124	70000326	1	Module, Engine Control	
125	70000327	1	Alternator	
	70000382	1	Stator, Alternator	
126	70000328	1	Harness, Engine	
127	70000329	1	Fuse 15Amp (Not Shown)	
128	70000330	1	Fuse 20Amp (Not Shown)	
129	70000321	1	Solenoid, Fuel	
130	70002244	1	Cap, Oil Filler (Includes O-Ring) (See Item 104 for Fill Cap on Engine Block)	
131	70003618	1	Adapter, Solenoid	
132	70000321	1	Rod, Adapter	
133	70000310	1	Starter (Not Shown - Located on Opposite Side of Engine)	

SECTION 1 FRAME

FIGURE 1-12.FRAME COVERS INSTALLATION

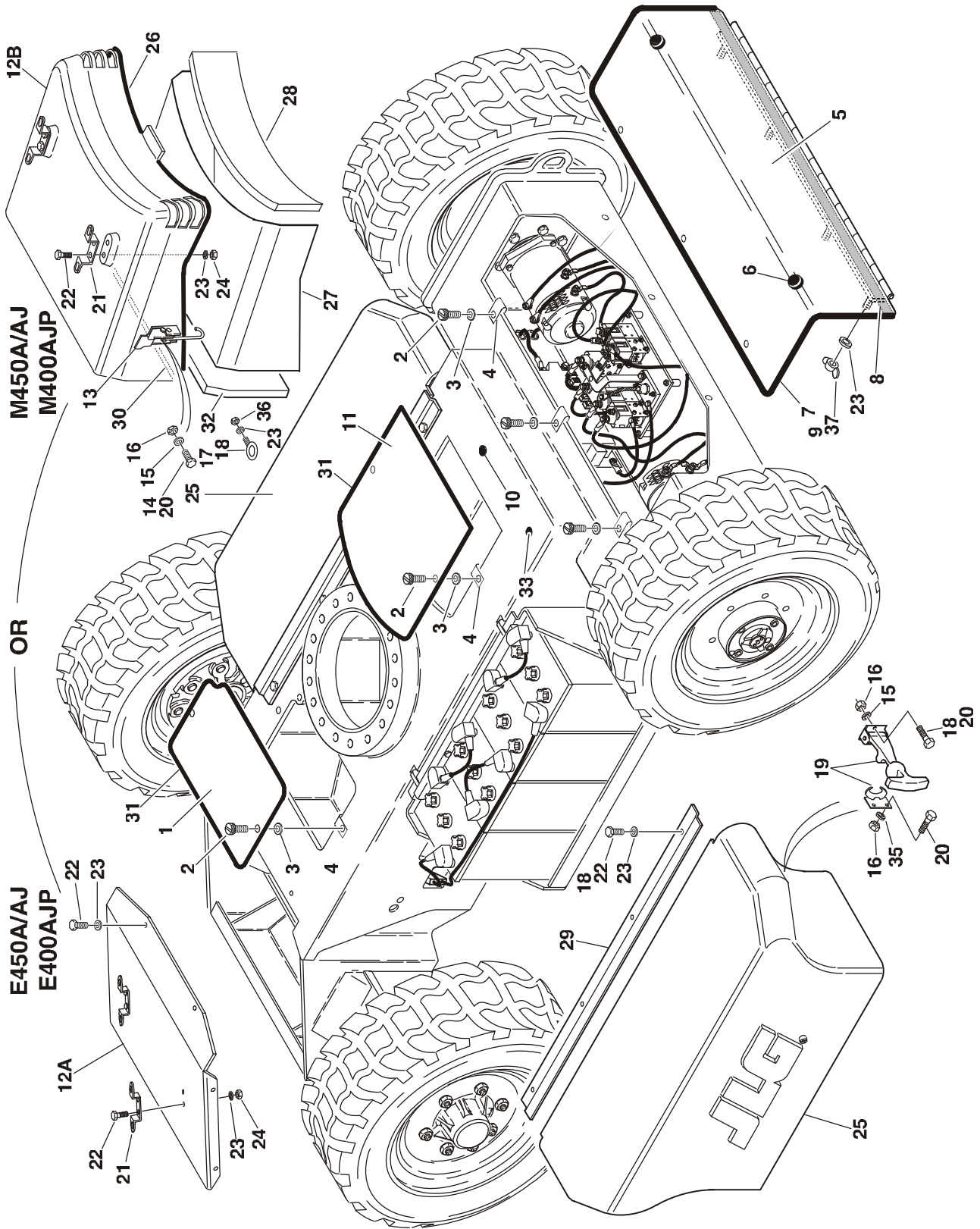


FIGURE 1-12. FRAME COVERS INSTALLATION

ITEM #	PART NUMBER	QTY.	DESCRIPTION	REV.
		Ref.	FRAME COVERS INSTALLATIONS	
	0258974	Ref.	Standard E450A & E450AJ Built Prior to S/N 0300059390	4
	0270510	Ref.	Standard E450A & E450AJ Built S/N 0300059390 to Present	E
	0258035	Ref.	Standard M450A & M450AJ Built Prior to S/N 0300059390	7
	0270509	Ref.	Standard M450A & M450AJ Built S/N 0300059390 to Present	F
	0270510	Ref.	Standard E400A & E400AJP	E
	0270509	Ref.	Standard M400A & M400AJP	F
	0270101	Ref.	Standard E400Anarrow & E400AJPnarrow	E
	0270100	Ref.	Standard M400Anarrow & M400AJPnarrow	F
1	3570572	1	Cover, Charger	
2	3900174	7	Screw, Special	
3	3760308	7	Retainer	
4	1380138	1	Cup, Receptacle	
5		1	Axle Cover Options:	
	4844603		Standard Width E/M450 & E/M400 Models	
	4846223		Narrow Width E/M400 Models	
6	0940036	2	Bumper	
7	3960447	A/R	Seal	
8	3960433	A/R	Seal	
9		A/R	Hardware Options:	
	3300371		Wingnut (Prior to S/N 0300104964)	
	3311401		Nut 1/4in-20NC (S/N 0300104964 to Present)	
10	3520026	2	Plug, Hole	
11	3570573	1	Cover, Pump	
12		1	Cover Options:	
12A	3571094		E450 & E400 Models	
12B	1670880		M450 & M400 Models	
13		A/R	Latch Options:	
	Not Required	0	E450 & E400 Models	
	2940115	2	M450 & M400 Models	
14	0721006	A/R	Screw, Machine #10-24NC x 3/4in (Prior to S/N 0300070080)	
15	4751000	A/R	Flatwasher #10	
16	3311005	12	Locknut #10-24NC	
17	0630440	A/R	Eyebolt	
18	0100011	A/R	Compound, Locking	
19	2940095	4	Latch	
20	0721004	A/R	Screw, Machine #10-24NC x 1/2in	
21	2700093	2	Hook	
22	0641406	A/R	Bolt 1/4in-20NC x 3/4in	
23	4751400	A/R	Flatwasher 1/4in	
24	3311405	4	Locknut 1/4in-20NC	
25		2	Battery Cover Options:	
			Standard Spec Machines:	
	1670879		Cover (E/M450 Models Built Prior to S/N 0300059390)	
	1670951		Cover (E/M450 Models Built S/N 0300059390 to Present)	
	1670951		Cover (E/M400 Models)	

SECTION 1 FRAME

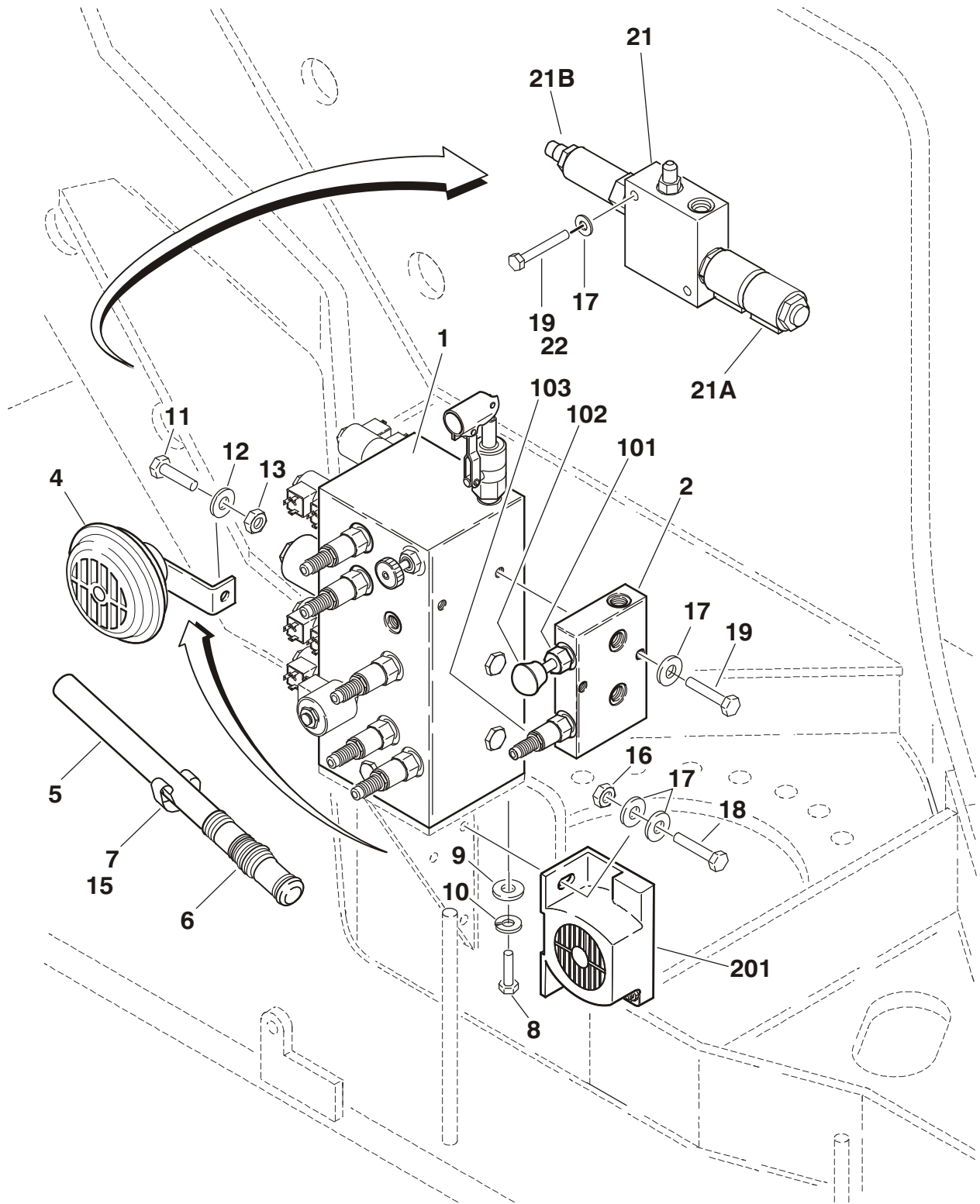
FIGURE 1-12. FRAME COVERS INSTALLATION (CONTINUED)

ITEM #	PART NUMBER	QTY.	DESCRIPTION	REV.
26	Not Required 4060804	A/R 0 6ft/1.8m	Flex-Trim Options: Standard Spec E450 & E400 Models Standard Spec M450 & M400 Models	
27	Not Required 2820105	A/R 0 1	Flex-Trim Options: Standard Spec E450 & E400 Models Standard Spec M450 & M400 Models	
28	Not Required 2820106	A/R 0 1	Flex-Trim Options: Standard Spec E450 & E400 Models Standard Spec M450 & M400 Models	
29	0902543 0902681 0902681	2	Strip, Mounting Options: Standard Spec E/M450 Models Prior to S/N 0300059390 Standard Spec E/M450 Models S/N 0300059390 to Present Standard Spec E/M400 Models	
30	Not Required 3960389	A/R 0 2.5ft/7.6m	Seal Options: E450 & E400 Models M450 & M400 Models	
31	Not Required 3960417	A/R 0 10ft/3m	Seal Options: E450 & E400 Models M450 & M400 Models	
32	Not Required 2820110	A/R 0 1	Insulation Options: E450 & E400 Models M450 & M400 Models	
33	3520082	1	Plug	
34	Not Used			
35	4750800	A/R	Flatwasher #8 (Wide)	
36	3311401	A/R	Nut 1/4in-20NC	
37	0100035	A/R	Compound, Locking	

SECTION 2 TURNTABLE

SECTION 2 TURNTABLE

FIGURE 2-1. VALVES AND HORN INSTALLATIONS



SECTION 2 TURNTABLE

FIGURE 2-1. VALVES AND HORN INSTALLATIONS

ITEM #	PART NUMBER	QTY.	DESCRIPTION	REV.
		Ref.	VALVE AND HORN INSTALLATIONS	
	0258034	Ref.	E/M450A Models	E
	0259399	Ref.	E/M450AJ Models	E
	0258034	Ref.	E/M400A Models	E
	0259951	Ref.	E/M400AJP Models	C
1	4641070 See Note	1	Main Control Valve Assembly (See Figure 2-2 for Breakdown) Prior to S/N 0300062642 S/N 0300062642 to S/N 0300129142 (Note: Was p/n 4641195 - Use p/ns 1001097507 & 1001104864 as Replacement)	
	1001097507		S/N 0300129142 to Present	
2	4641029 Use 1001097777	1	Releveling Valve Assembly Options (See Items 101-103 for Breakdown): 450A Prior to S/N 0300091053 450A S/N 0300091053 to S/N 0300129142 (was p/n 4641394)	
	1001097777		450A S/N 0300129142 to Present	
	4641029 Use 1001097777		450AJ Prior to S/N 0300086022 450AJ S/N 0300086022 to S/N 0300129142 (was p/n 4641394)	
	1001097777		450AJ S/N 0300129142 to Present	
	4641029 Use 1001097777		400A Prior to S/N 0300086022 400A S/N 0300086022 to S/N 0300129142 (was p/n 4641394)	
	1001097777		400A S/N 0300129142 to Present	
	4641029 Use 1001097777		400AJP Prior to S/N 0300091053 400AJP S/N 0300091053 to S/N 0300129142 (was p/n 4641394)	
	1001097777		400AJP S/N 0300129142 to Present	
3	Not Used			
4	0140028	1	Horn	
5	2560122	1	Handle	
6	2560123	1	Grip, Handle	
7	1380136	1	Clip	
8	0641608	4	Bolt 3/8in-16NC x 1in	
9	4711400	4	Flatwasher 3/8in Narrow	
10	4761400	4	Lockwasher 3/8in	
11	0641508	1	Bolt 5/16in-18NC x 1in	
12	4711500	2	Flatwasher 5/16in Narrow	
13	3311505	1	Locknut 5/16in-18NC	
14	Not Used			
15	4300106	1	Stud	
16	3311405	A/R	Locknut 1/4in-20NC	
17	4711400	A/R	Flatwasher 1/4in Narrow	
18	0641408	A/R	Bolt 1/4in-20NC x 1in	
19	0641413 0641426	A/R	Bolt Options: Bolt 1/4in-20NC x 1-5/8in Bolt 1/4in-20NC x 3-1/4in	
20	Not Used			

SECTION 2 TURNTABLE

FIGURE 2-1. VALVES AND HORN INSTALLATIONS (CONTINUED)

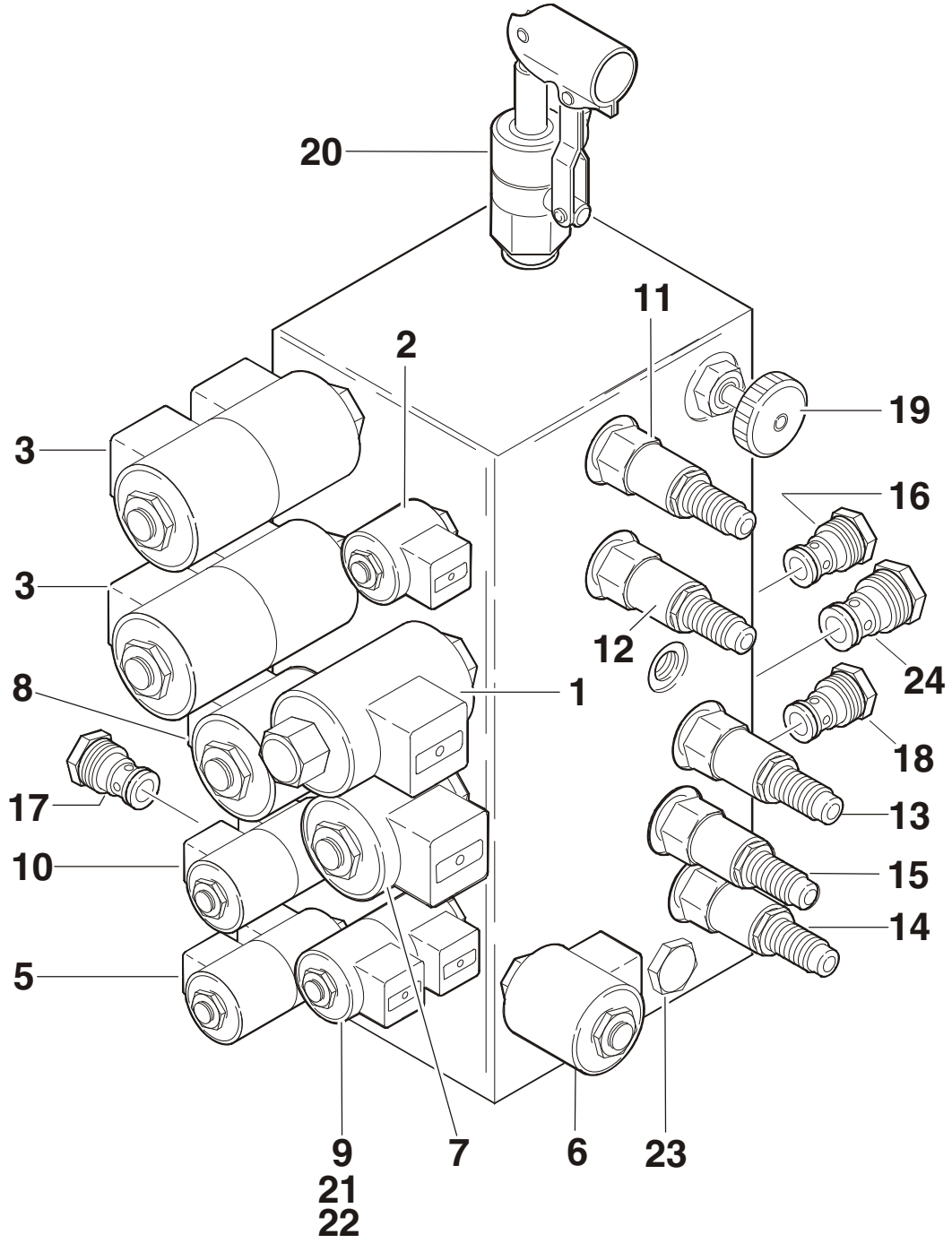
ITEM #	PART NUMBER	QTY.	DESCRIPTION	REV.
21		A/R	Jib Valve Assembly Options:	
	Not Required	0	E/M450A & E/M400A Models	
	Use 1001097775	1	E/M450AJ Models Prior to S/N 0300129142 (was p/n 4641102)	
	1001097775	1	E/M450AJ Models S/N 0300129142 to Present (Shown)	
	Use 1001097505	1	E/M400AJP Models Prior to S/N 0300129142 (was p/n 4641119)	
	1001097505	1	E/M400AJP Models S/N 0300129142 to Present	
21A	7017452	1	Cartridge without Coils	
	7017402	1	Seal Kit - 7017452 Cartridge	
	7021609	2	Coil	
21B		A/R	Cartridge, Relief Valve Options:	
	Use 70002807	1	Port RV1(was p/n 7017460)	
	Use 70002808	1	Port RV2 - E/M400AJP Models Only (was p/ns 7021623 & 7017460)	
	7021653	A/R	Seal Kit - 70002807 & 70002808 Cartridges	
22	0100011	A/R	Compound, Locking	
		Ref.	RELEVELING VALVE ASSEMBLIES	
		Ref.	Note: Refer to Item 2 for Usage.	
	4641029	Ref.	Releveling Valve	
	4641394	Ref.	Releveling Valve	
	1001097777	Ref.	Releveling Valve	
101	7017466	1	Cartridge	
	2900708	1	Seal Kit - 7017466 Cartridge	
102	7012959	1	Knob	
103		1	Cartridge Options:	
	7012981		4641029 Valve	
	7012998	1	Seal Kit - 7012981 Cartridge	
	7024891		4641394 & 1001097777 Valves	
	7012953	1	Seal Kit - 7024891 Cartridge	
	0259064	Ref.	ALARM INSTALLATIONS	1
201	0140031	1	Alarm, Motion (Remove ground strap before installation)	
	3311405	2	Locknut 1/4in-20NC	
	4711400	4	Flatwasher 1/4in Narrow	
	0641408	2	Bolt 1/4in-20NC	
	4460685	2	Terminal, Stud Mounted Tab	

FIGURE 2-1. VALVES AND HORN INSTALLATIONS (CONTINUED)

ITEM #	PART NUMBER	QTY.	DESCRIPTION	REV.

SECTION 2 TURNTABLE

FIGURE 2-2. MAIN CONTROL VALVE ASSEMBLY



SECTION 2 TURNTABLE

FIGURE 2-2. MAIN CONTROL VALVE ASSEMBLY

ITEM #	PART NUMBER	QTY.	DESCRIPTION	REV.
		Ref.	MAIN CONTROL VALVE ASSEMBLY OPTIONS:	
	4641070	Ref.	Prior to S/N 0300062642	G
	See Note	Ref.	S/N 0300062642 to S/N 0300129142 (Note: Was p/n 4641195 - Use p/ns 1001097507 & 1001104864 as Replacement)	
	1001097507	Ref.	S/N 0300129142 to Present	C
1	Use 7021611	1	Cartridge without Coil Options (Flow Regulator): 4641070 Valve (was p/n 7017450)	
	7021611		4641195 & 1001097507 Valves	
	7012518	1	Seal Kit - 7017450/7021611 Cartridge	
	7021618	1	Coil	
2	7017410	1	Cartridge without Coil (Bypass Unloading)	
	Use 7012998	1	Seal Kit - 7017410 Cartridge (was p/n 7012967)	
	7021609	2	Coil	
3	7021603	2	Cartridge without Coil (Lower & Upper Lift)	
	7012903	2	Seal Kit - 7021603 Cartridge (1 Per Cartridge)	
	7021610	4	Coil (2 Per Valve)	
4	Not Used			
5	7017433	1	Cartridge without Coil (Swing)	
	7017402	1	Seal Kit - 7017433 Cartridge	
	7021609	1	Coil	
6	7021604	1	Cartridge without Coil (Swing Restrictor)	
	7012953	1	Seal Kit - 7021604 Cartridge	
	7021609	1	Coil	
7		1	Cartridge without Coil Options (Telescope Out):	
	7017479		4641070 & 4641195 Valves	
	7012995		1001097507 Valve	
	7012518	1	Seal Kit - 7017479 & 7012995 Cartridges	
	7021610	1	Coil	
8		1	Cartridge without Coil Options (Telescope In):	
	7017479		4641070 & 4641195 Valves	
	7022394		1001097507 Valve	
	7012518	1	Seal Kit - 7017479 & 7022394 Cartridges	
	7021610	1	Coil	
9	7017452	1	Cartridge without Coil (Platform Level)	
	7017402	1	Seal Kit - 7017452 Cartridge	
	7021609	2	Coil	
10	7017452	1	Cartridge without Coil (Rotator)	
	7017402	1	Seal Kit - 7017452 Cartridge	
	7021609	2	Coil	
11		A/R	Cartridge Options:	
		Ref.	(Note: Before ordering parts, refer to p/n stamped on hose side of valve block to determine if valve has been replaced.)	
	Use 70001876	1	4641070 Valve (Prior to S/N 0300062642) Components: Cartridge, (Lower Lift Down) (was p/n 7017423)	
	7012998	1	Seal Kit - 7017423 & 70001876 Cartridge	
			4641195 & 1001097507 Valve (S/N 0300062642 to Present) Components:	

SECTION 2 TURNTABLE

FIGURE 2-2. MAIN CONTROL VALVE ASSEMBLY (CONTINUED)

ITEM #	PART NUMBER	QTY.	DESCRIPTION	REV.
11 (cont'd)	70002806	1	Cartridge, (Upper Lift Down)	
	7012998	1	Seal Kit - 70002806 Cartridge	
12		A/R	Cartridge Options:	
		Ref.	(Note: Before ordering parts, refer to p/n stamped on hose side of valve block to determine if valve has been replaced.)	
			4641070 Valve (Prior to S/N 0300062642) Components:	
	7021606	1	Cartridge, (Upper Lift Down)	
	7012998	1	Seal Kit - 7021606 Cartridge	
			4641195 (S/N 0300062642 to S/N 0300129142) Components:	
	Use 70001876	1	Cartridge, (Lower Lift Down) (E/M450AJ & E/M400A S/N 0300062642 to S/N 0300086022) (was p/n 7017423)	
	70001876	1	Cartridge, (Lower Lift Down) (E/M450AJ & E/M400A S/N 0300086022 to S/N 0300129142)	
	Use 70001876	1	Cartridge, (Lower Lift Down) (E/M450A & E/M400AJP S/N 0300062642 to S/N 0300091053) (was p/n 7017423)	
	70001876	1	Cartridge, (Lower Lift Down) (E/M450A & E/M400AJP S/N 0300091053 to S/N 0300129142)	
	7012998	1	Seal Kit - 7017423 & 70001876 Cartridge	
			1001097507 Valve (S/N 0300129142 to Present) Components:	
	70001876	1	Cartridge, (Lower Lift Down)	
	7012998	1	Seal Kit - 70001876 Cartridge	
13		1	Cartridge (Telescope) Options:	
	7021607		4641070 & 4641195 Valves	
	7017418		1001097507 Valve	
	7012998	1	Seal Kit - 7021607 & 7017418 Cartridges	
14		A/R	Cartridge Options:	
			4641070 Valve Components:	
	7017421	1	Cartridge (Platform Level Backward Piston End)	
	7012998	1	Seal Kit - 7017421 Cartridge	
			4641195 & 1001097507 Valve Components:	
	7017418	1	Cartridge (Platform Level Forward Rod End) (was p/n 7017422)	
	7012998	1	Seal Kit - 7017418 Cartridge	
15		A/R	Cartridge Options:	
			4641070 Valve Components:	
	7017418	1	Cartridge (Platform Level Forward Rod End) (was p/n 7017422)	
	7012998	1	Seal Kit - 7017418 Cartridge	
			4641195 & 1001097507 Valve Components:	
	7017421	1	Cartridge (Platform Level Backward Piston End)	
	7012998	1	Seal Kit - 7017421 Cartridge	
16	10837580	1	Cartridge (Telescope)	
	7010543	1	Seal Kit - 10837580 Cartridge	
17	7012914	1	Cartridge (Platform Level Piston Side)	
	Use 7021653	1	Seal Kit - 7012914 Cartridge (was p/n 7012918)	
18	7012914	1	Cartridge (Platform Level Rod Side)	
	Use 7021653	1	Seal Kit - 7012914 Cartridge (was p/n 7012918)	

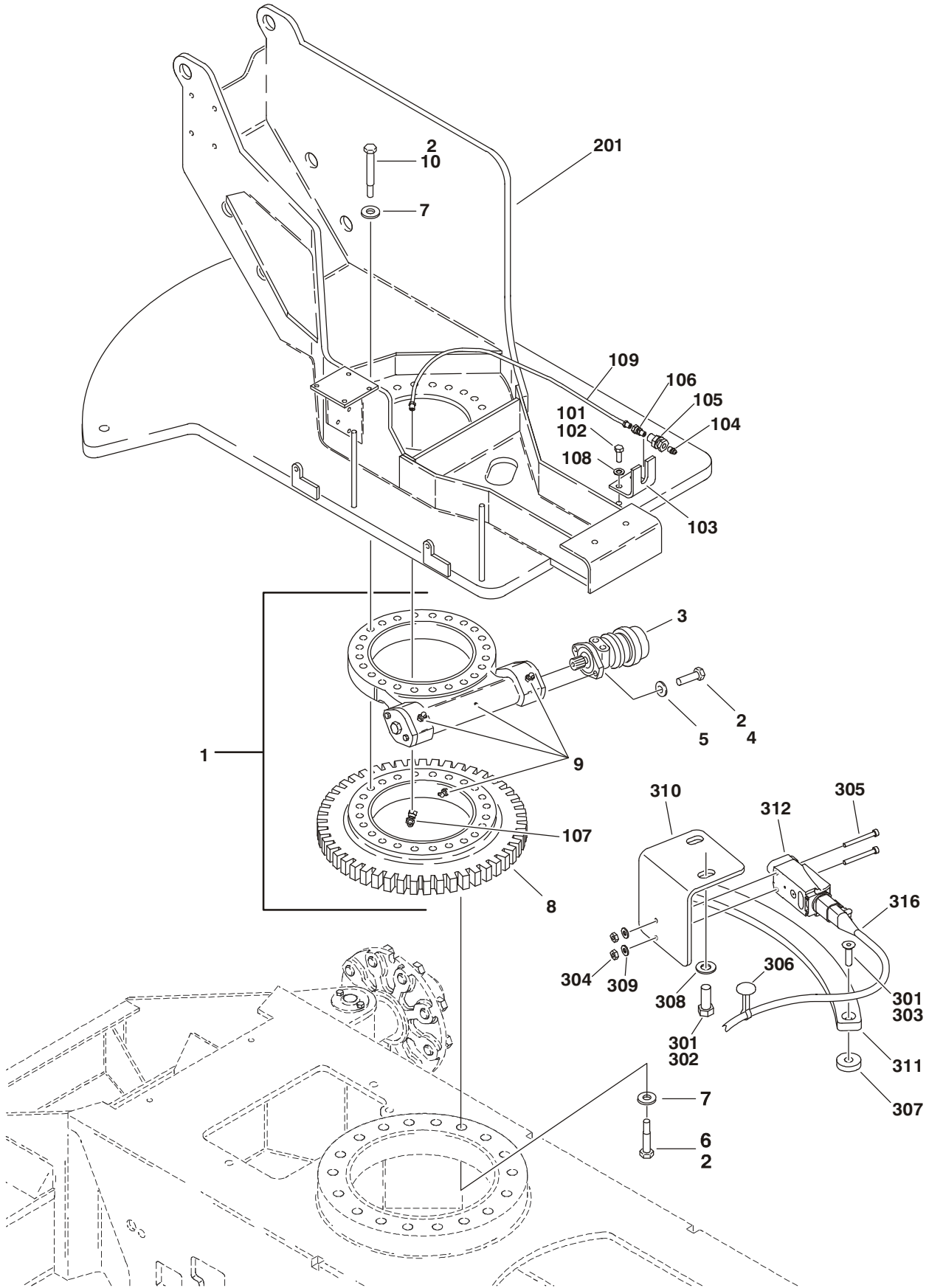
SECTION 2 TURNTABLE

FIGURE 2-2. MAIN CONTROL VALVE ASSEMBLY (CONTINUED)

ITEM #	PART NUMBER	QTY.	DESCRIPTION	REV.
19	7012947	1	Cartridge, (Emergency Descent)	
	7012518	1	Seal Kit - 7012947 Cartridge	
		1	Knob Options:	
	7012949		4641070 & 4641195 Valves	
	7012961		1001097507 Valve	
20	Use 70004019	1	Pump, Manual (was p/n 7012694)	
	7017496	1	Seal Kit - 7012694 Cartridge	
21	See Note	1	Plug, Orifice (.031in) (Note: Not Available for Purchase)	
22	7021624	1	Disc, Orifice (.028v)	
23	70000381	1	Cartridge, Plug	
24	7012975	1	Valve, Check (4641195 & 1001097507 Valves Only)	
	7012540	1	Seal Kit - 7012975 Cartridge	

SECTION 2 TURNTABLE

FIGURE 2-3. TURNTABLE AND SWING DRIVE INSTALLATION



SECTION 2 TURNTABLE

FIGURE 2-3. TURNTABLE AND SWING DRIVE INSTALLATION

ITEM #	PART NUMBER	QTY.	DESCRIPTION	REV.
		Ref.	TURNTABLE BEARING & SWING DRIVE INSTALLATIONS	
	0258653	Ref.	Turntable Bearing & Swing Drive (DOHI)	5
	1001153366	Ref.	Turntable Bearing & Swing Drive (JING WEI)	A
1		1	Turntable Bearing and Rotation Box Assembly Options (See Figure 2-6 for Breakdown):	
	Use 0440339		DOHI (Prior to S/N 0300097888) (p/n was 0440203)	
	0440339		DOHI (S/N 0300097888 to Present)	
	1001153017		JING WEI	
2	0100019	A/R	Compound, Locking	
3		1	Swing Motor Assembly Options:	
	Use 1001105455		Swing Motor Assembly (See Figure 2-4 for Breakdown) (was p/n 3160233) (Prior to S/N 0300135649)	
	1001104850		Swing Motor Assembly (See Figure 2-5 for Breakdown) (S/N 0300135649 to Present)	
4		2	Bolt Options:	
	0681814		Bolt 1/2in-13NC x 1-3/4in (Grade 8) (Prior to S/N 0300099082)	
	0681816		Bolt 1/2in-13NC x 2in (Grade 8) (S/N 0300099082 to S/N 0300135649)	
	3931832		Bolt - Allen Head 1/2in-13NC x 2in (Grade 8) (S/N 0300135649 to Present)	
5	4740171	2	Washer, Hardened	
6	0682026	18	Bolt 5/8in-11NC x 3-1/4in (Grade 8)	
7	4892000	42	Washer, Hardened	
8	3020027	A/R	Lube (5 gal bucket) (was p/n 3020036)	
	70010724	A/R	Lube (14 oz. tube)	
9	3020029	A/R	Grease, Bearing	
10	0682028	24	Bolt 5/8in-11NC x 3-1/2in (Grade 8)	
	1001103732	Ref.	REMOTE BEARING LUBE INSTALLATION (OPTIONAL)	A
101	0100011	A/R	Compound, Locking	
102	0641608	1	Bolt 3/8in-16NC x 1in	
103	0902520	1	Bracket	
104	2160002	1	Fitting, Straight	
105	2180344	1	Fitting, Bulkhead	
106	2220001		Fitting, Straight	
107	2220124	1	Fitting, 45°	
108	4711600	1	Flatwasher 3/8in (narrow)	
109	2751095	1	Hose	
201		Ref.	TURNTABLE WELDMENTS	
	4620118		E/M450A Models	
	4620124		E/M450AJ Models	
	4620118		E/M400A Models	
	4620124		E/M400AJP Models	

SECTION 2 TURNTABLE

FIGURE 2-3. TURNTABLE AND SWING DRIVE INSTALLATION (CONTINUED)

ITEM #	PART NUMBER	QTY.	DESCRIPTION	REV.
	1001116193	Ref	DRIVE ORIENTATION INSTALLATION (S/N 0300141884 TO PRESENT ONLY)	B
301	0100011	A/R	Compound, Locking	
302	0641608	2	Bolt 3/8in-16NC x 1in	
303	0741408	2	Capscrew, Countersunk 1/4in-20NC x1in	
304	3310805	2	Locknut #8-32NC	
305	3930824	2	Capscrew #8-32NC x 1-1/2in	
306	4240175	2	Tie-Strap	
307	4564417	2	Tube, Spacer	
308	4711600	2	Flatwasher 3/8in Narrow	
309	4750800	2	Flatwasher #8 Wide	
310	1001116130	1	Bracket, Mounting	
311	1001116195	1	Cam	
312	1001116232	1	Switch, Limit	
313 to 315	Not Used			
316	1001116522	1	Harness, Drive Orientation (See Section 7 for Breakdown)	

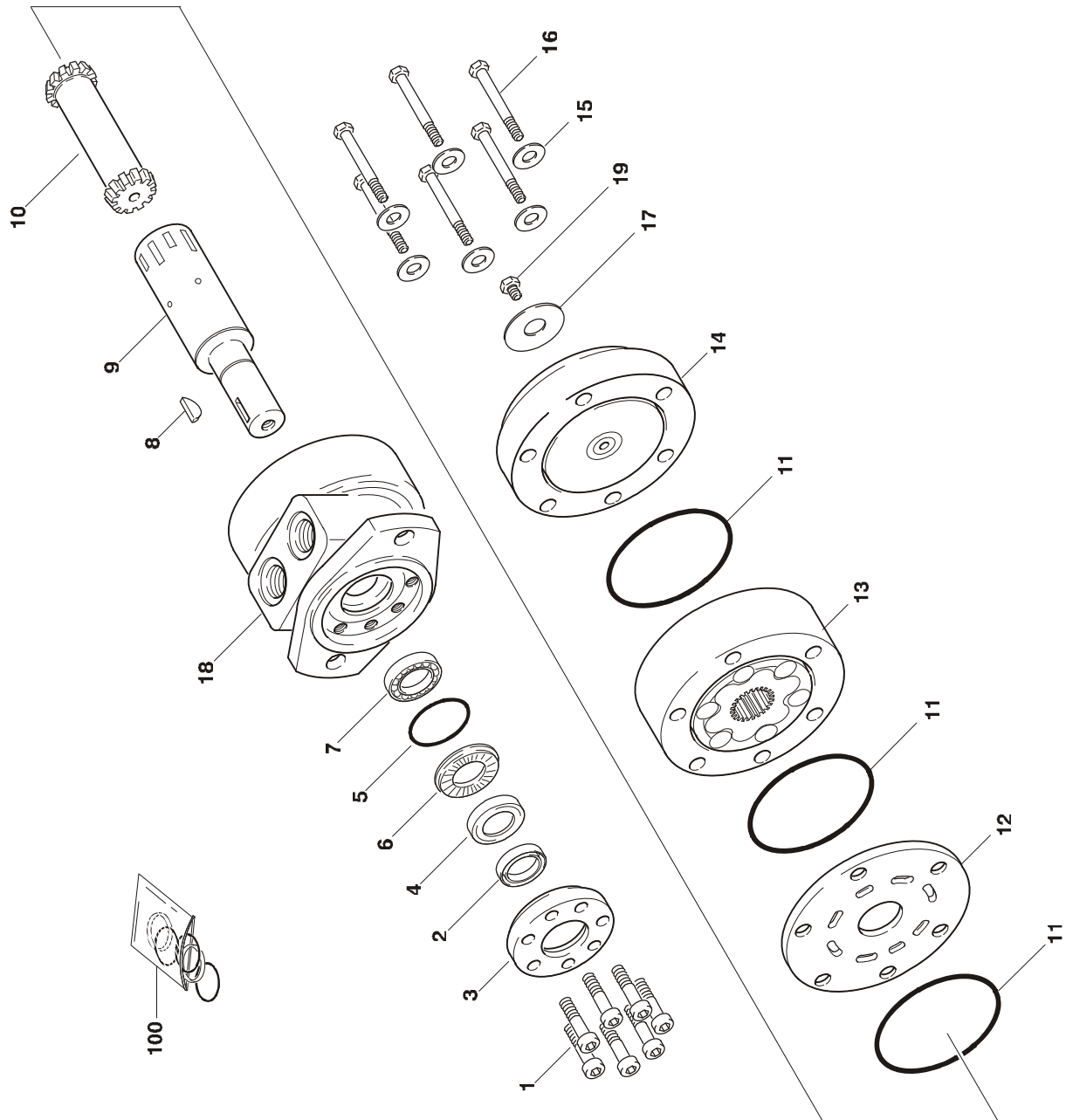
SECTION 2 TURNTABLE

FIGURE 2-3. TURNTABLE AND SWING DRIVE INSTALLATION (CONTINUED)

ITEM #	PART NUMBER	QTY.	DESCRIPTION	REV.

SECTION 2 TURNTABLE

FIGURE 2-4. SWING MOTOR ASSEMBLY (PRIOR TO S/N 0300135649)



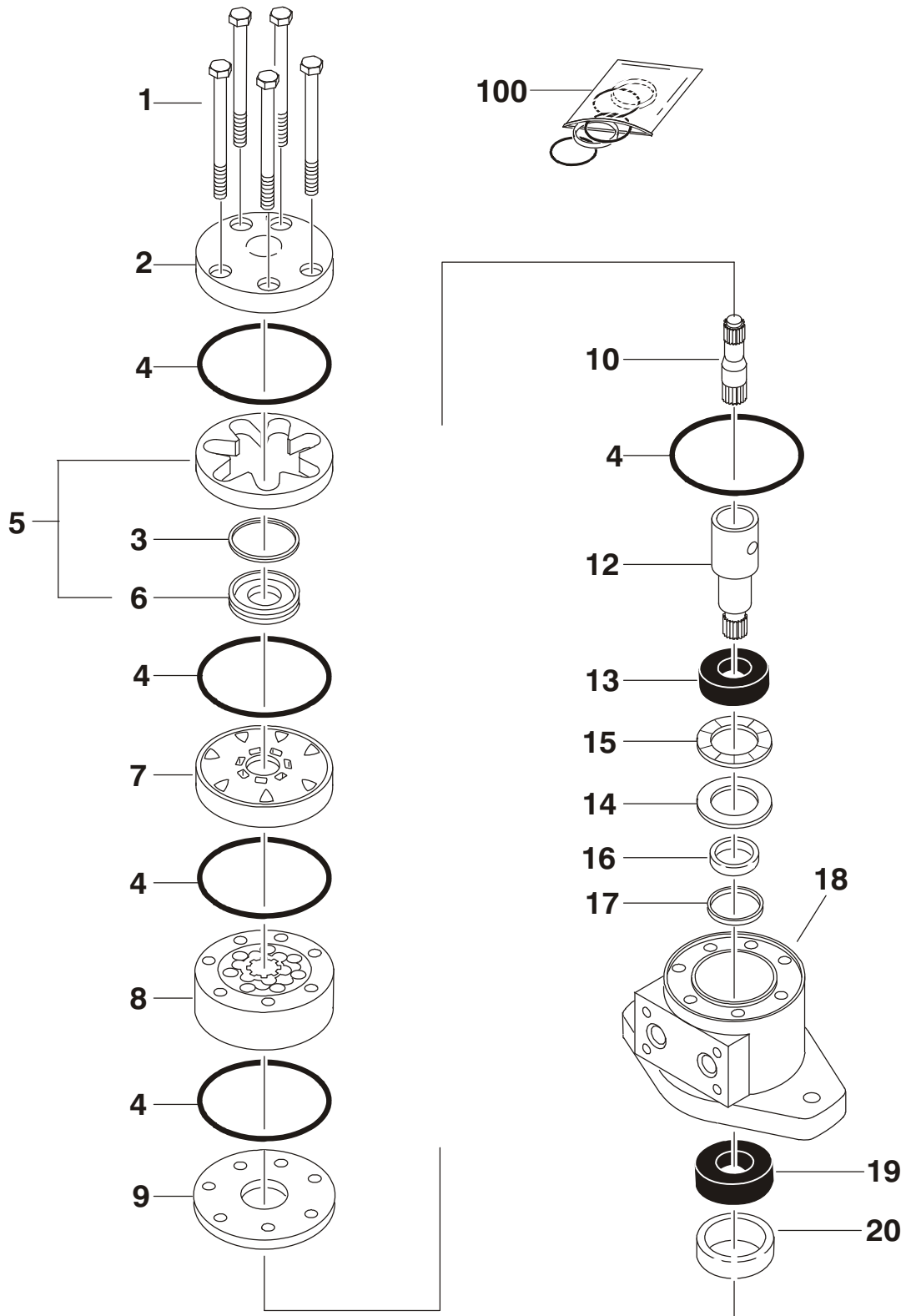
SECTION 2 TURNTABLE

FIGURE 2-4. SWING MOTOR ASSEMBLY (PRIOR TO S/N 0300135649)

ITEM #	PART NUMBER	QTY.	DESCRIPTION	REV.
	3160233	Ref. Ref.	SWING MOTOR ASSEMBLY Note: Identify motor before ordering parts. Original Equipment Motors up to S/N 0300135649 use 6 bolts in motor cover. Service Replacement Motor from S/N 0300135649 to present use 5 bolts in motor cover. Make sure the motor has not been replaced with a Service Replacement Motor before ordering parts. See next illustration for Service Replacement Motor components.	D
1	See Note	6	Screw, Metric M6 x 20mm (Note: Not Available - Purchase Locally)	
2	See Note	1	Ring, Dust (Note: Not Available for Purchase)	
3	Use 3160233	1	Flange, Spigot (Note: Not Available for Purchase)	
4	Use 7020127	1	Seal, Shaft	
5	Use 7020127	1	O-Ring	
6	7020128	1	Race, Bearing	
7	7020129	1	Bearing, Needle	
8	7020126	1	Key, Woodruff	
9	Use 3160233	1	Shaft, Output (Note: Not Available for Purchase)	
10	7020130	1	Shaft	
11	Use 7020127	3	O-Ring	
12	Use3160233	1	Plate, Distributor (Note: Not Available for Purchase)	
13	7020131	1	Gear Set	
14	Use3160233	1	Cover, End (Note: Not Available for Purchase)	
15	See Note	6	Washer (Note: Not Available - Purchase Locally)	
16	See Note	6	Screw, Metric M8 x 35mm (Note: Not Available - Purchase Locally)	
17	See Note	1	Nameplate (Note: Not Available for Purchase)	
18	Use 3160233	1	Housing (Note: Not Available for Purchase)	
19	See Note	1	Plug, Drain 7/16in-20NF (Note: Not Available - Purchase Locally)	
100	7020127	1	----- Seal Kit (Includes Items 4, 5 & 11)	

SECTION 2 TURNTABLE

FIGURE 2-5. SWING MOTOR ASSEMBLY (S/N 0300135649 TO PRESENT)



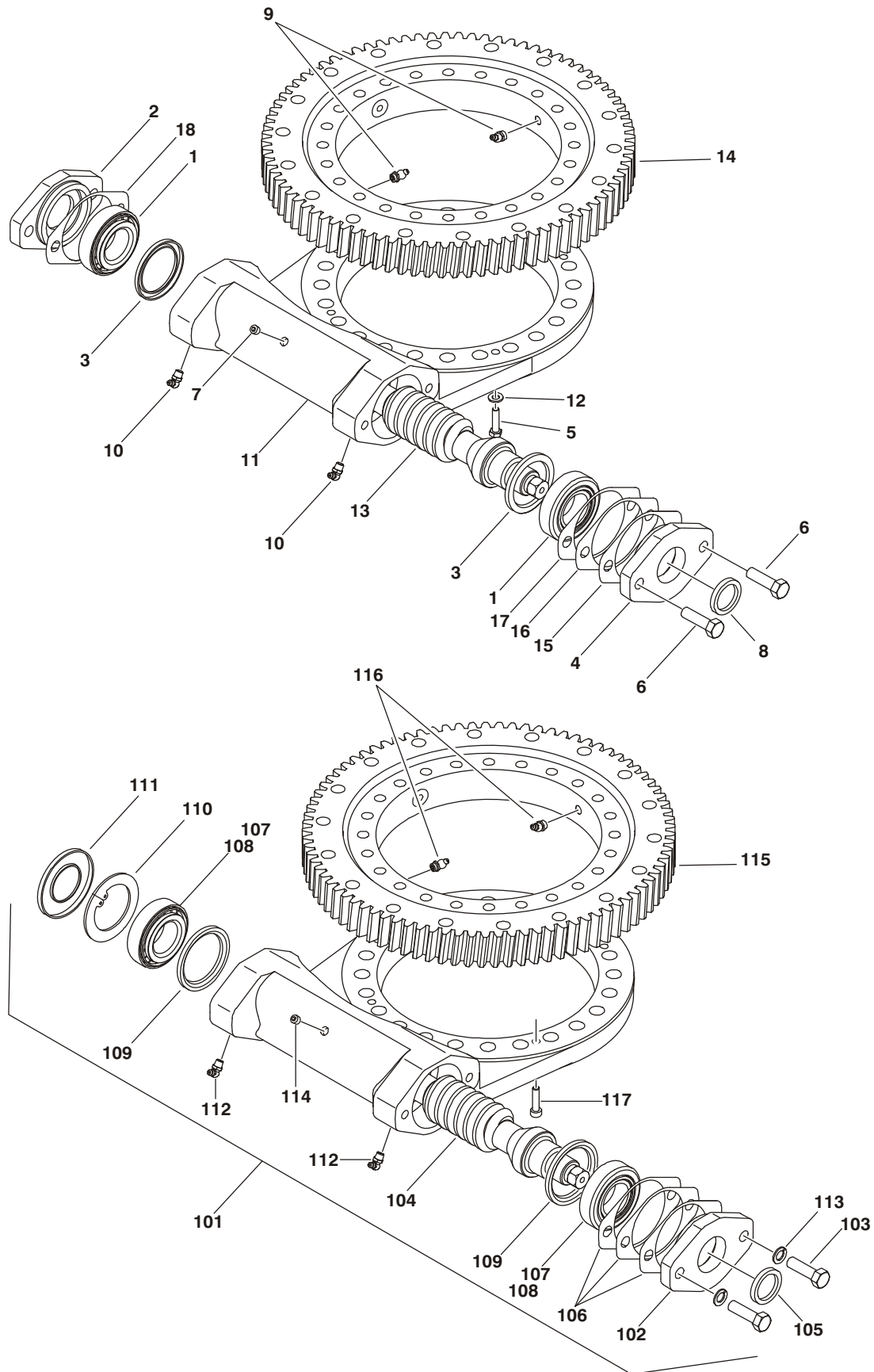
SECTION 2 TURNTABLE

FIGURE 2-5. SWING MOTOR ASSEMBLY (S/N 0300135649 TO PRESENT)

ITEM #	PART NUMBER	QTY.	DESCRIPTION	REV.
	1001104850	Ref.	SWING MOTOR ASSEMBLY	A
1	See Note	5	Bolt, Special (Note: Not Available for Purchase)	
2	7004035	1	Cover, End	
3	7023318	1	Seal, Commutator	
4	7004036	5	O-Ring	
5	7024453	1	Commutator and Ring Assembly	
6	Use 7024453	1	Ring	
7	7024379	1	Manifold	
8	70002206	1	Rotor Set	
9	7024380	1	Plate, Ware	
10	70002207	1	Link, Drive	
11	Not Used			
12	70000088	1	Shaft, Coupling	
12A	70000089	1	Key, Woodruff	
13	7024381	1	Bearing, Inner	
14	7004043	1	Washer, Thrust	
15	7004044	1	Bearing, Thrust	
16	7004049	1	Seal, Inner	
17	7004045	1	Washer, Back-up	
18	Use 1001104850	1	Housing (Note: Not Available for Purchase)	
19	7024390	1	Bearing, Outer	
20	7004047	1	Seal	
100	7024389	1	----- Seal Kit (Includes Items 3, 4, 16, 17 & 20)	

SECTION 2 TURNTABLE

FIGURE 2-6. SWING BEARING ASSEMBLY



SECTION 2 TURNTABLE

FIGURE 2-6. SWING BEARING ASSEMBLY

ITEM #	PART NUMBER	QTY.	DESCRIPTION	REV.
		Ref.	Note: For Machines Built Prior to S/N 0300097888, visually identify the brand before ordering replacement parts.	
		Ref.	SWING BEARING ASSEMBLIES (PERFECTION GEAR) (S/N 0300097888 TO PRESENT)	
	0440339	Ref.	Turntable Bearing (DOHI)	D
	1001153017	Ref.	Turntable Bearing (JING WEI)	A
1	7026042	2	Bearing, Cup	
	7026043	2	Bearing, Cone	
2	7027356	1	Adapter, Motor	
3	7027361	2	Seal	
4	7027354	1	Cap, End	
5	0641510	2	Bolt 5/16in-18NC x 1-1/4in	
6	0641812	2	Bolt 1/2in-13NC x 1-1/2in	
7	70000865	1	Plug	
8	7027360	1	Seal	
9	7027359	2	Straight Fitting, Grease	
	2160003	2	Fitting, Grease - 45°	
10	7027358	2	90° Fitting, Grease	
11	Use 0440339	1	Housing (Note: Not Available for Purchase)	
12	4891500	2	Flatwasher 5/16in (Hardened)	
13	7027363	1	Gear, Worm	
14		1	Ring Gear Options:	
	Use 1001104626	1	DOHI (Ring Gear Kit Includes Ring Gear & Mounting Hardware) (was p/n 70000868)	
	70004159	1	JING WEI (Ring Gear Only)	
15	7027352	A/R	Gasket (.010 - Brown)	
16	7027351	A/R	Gasket (.0075 - Clear)	
17	7027350	A/R	Gasket (.005 - Blue)	
18	7027353	1	Gasket (.020 - Yellow)	
	0440203	Ref.	SWING BEARING ASSEMBLY (KAYDON) (PRIOR TO S/N 0300097888)	G
		Ref.	Note: When replacing major components, consider replacing with p/n 0440339 Complete Bearing Assembly.	
101	7012597	1	Swing Rotation Box Assembly	
102	7023484	1	Cap, End	
103	See Note	2	Bolt 1/2in-13NC x 1-1/2in Grade 8 (Note: Not Available - Purchase Locally)	
104	Use 0440203	1	Gear, Worm (Note: Not Available for Purchase)	
105	7012654	1	Seal, Outer - Capped End (1.75 O.D.)	
106	7016682	1	Shims Kit (Includes Qty 3 each of .005, .0075 & .010 Shims)	
107	70001677	2	Cup, Bearing	
108	90206369	2	Cone, Bearing	
109	7016676	1	Seal, Outer - Capped End (2.063 O.D.)	
110	See Note	1	Ring, Retaining (Note: Not Available for Purchase)	
111	7012655	1	Seal, Outer - Motor End	
112	2160001	2	Fitting, Grease - 90°	

SECTION 2 TURNTABLE

FIGURE 2-6. SWING BEARING ASSEMBLY (CONTINUED)

ITEM #	PART NUMBER	QTY.	DESCRIPTION	REV.
113	See Note	2	Lockwasher 1/2in (Note: Not Available - Purchase Locally)	
114	See Note	1	Component Options: Plug, Pipe (Note: Not Available - Purchase Locally)	
	2160001		Fitting, Grease - 45°	
115	Use 2915104	1	Ring Gear Kit (was p/n 7012596) (Kit Includes Ring Gear & Mounting Hardware)	
116	2160003	2	Fitting, Grease - 45°	
117	See Note	4	Capscrew, Socket Head 5/16in-18NC (Note: Not Available - Purchase Locally)	
	See Note	4	Washer 5/16in (Not Shown) (Note: Not Available - Purchase Locally)	

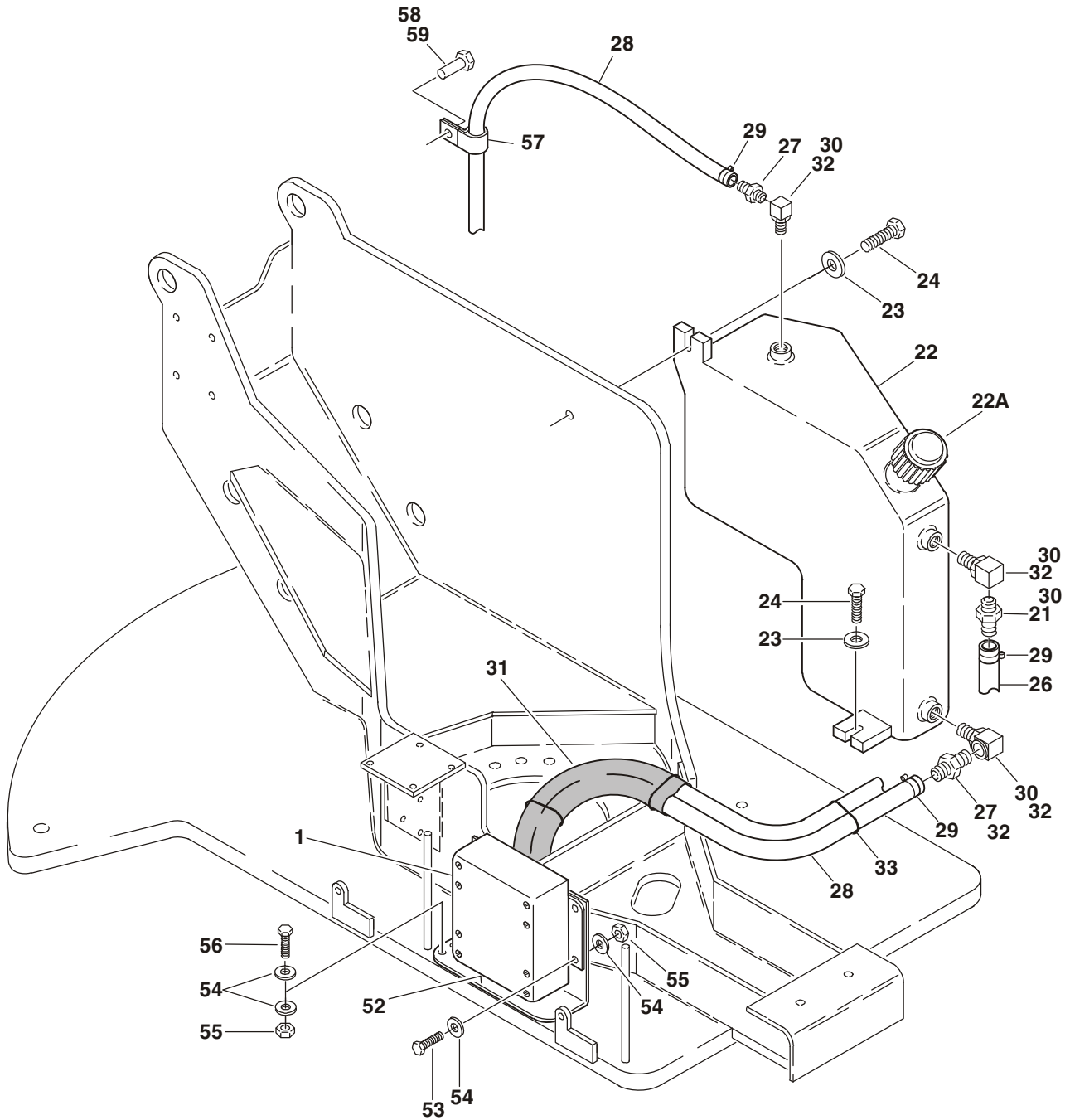
SECTION 2 TURNTABLE

FIGURE 2-6. SWING BEARING ASSEMBLY (CONTINUED)

ITEM #	PART NUMBER	QTY.	DESCRIPTION	REV.

SECTION 2 TURNTABLE

FIGURE 2-7. FUEL TANK AND MOTOR CONTROL MODULE INSTALLATION (M450 & M400 ONLY)



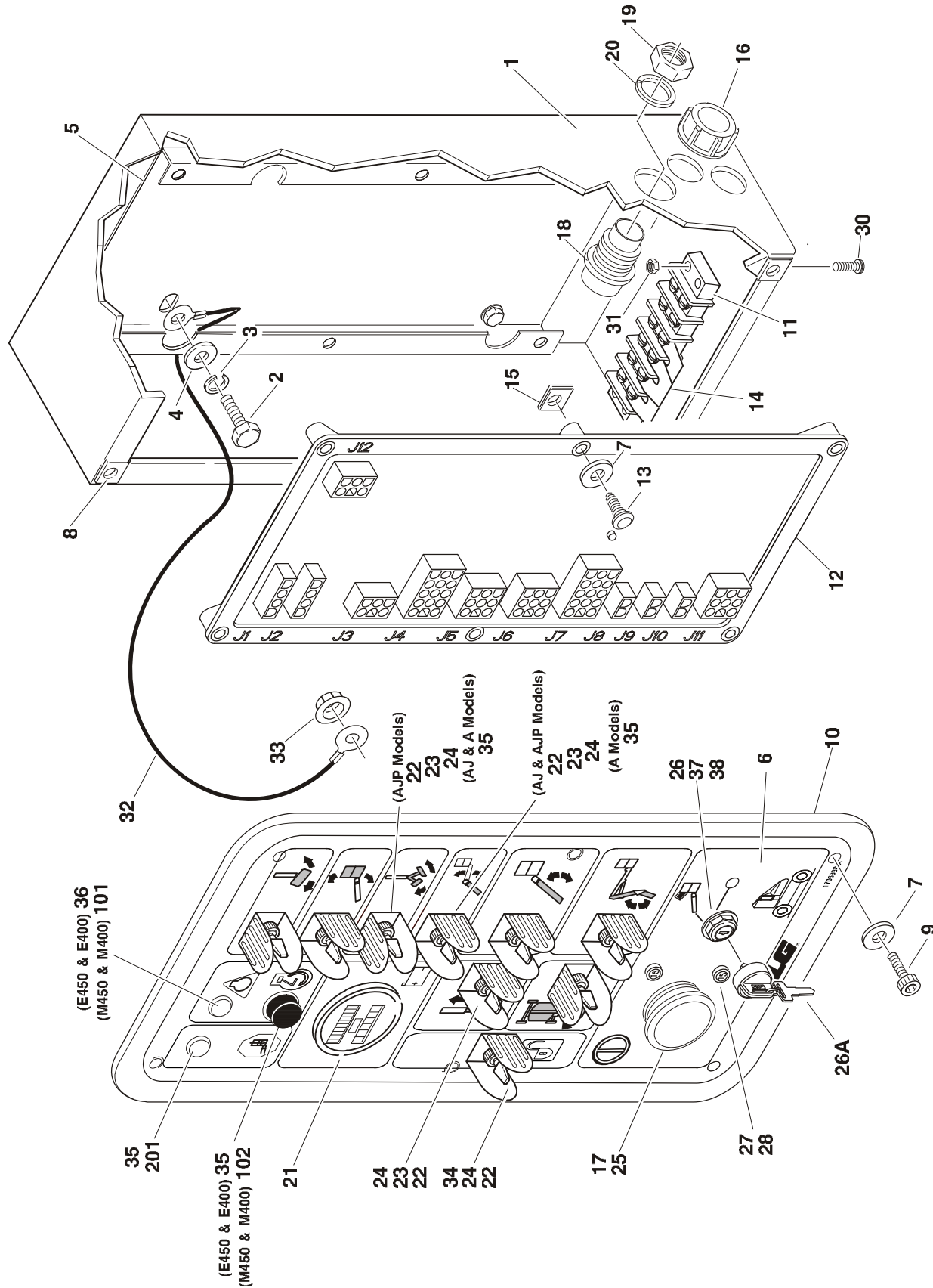
SECTION 2 TURNTABLE

FIGURE 2-7. FUEL TANK AND MOTOR CONTROL MODULE INSTALLATION (M450 & M400 ONLY)

ITEM #	PART NUMBER	QTY.	DESCRIPTION	REV.
		Ref.	TANK AND MOTOR/GENERATOR COMPONENTS INSTALLATION (TURNTABLE MOUNTED)	
	0257824	Ref.	All M450 Models Built Prior to S/N 0300059390	11
	0270344	Ref.	All M450 Models Built S/N 0300059390 to S/N 0300079057	5/B
	0270344	Ref.	All M400 Models Prior to S/N 0300079057	5/B
	0273573	Ref.	All M450/M400 Models S/N 0300079057 to S/N 0300088539	B
	0274617	Ref.	All M450/M400 Models S/N 0300088539 to Present	E
1	7020156 70000326	1	Module, Control Options: Prior to S/N 0300088539 S/N 0300088539 to Present	
2	7020155 7023486 70000328	1	Harness, Wiring (Not Shown - See Section 7 for Breakdown) Prior to S/N 0300063771 S/N 0300063771 to S/N 0300088539 S/N 0300088539 to Present	
3 to 20	Not Used			
21	2180536 2221047	2	Fitting Options: Fitting, Barbed (Prior to S/N 0300098816) Fitting 90° (S/N 0300098816 to Present)	
22	4400417	1	Tank, Gas	
22A	7016314 1120487	1 1	Cap (Standard) Lockable Cap (Blue) (Optional)	
23	4751600	2	Flatwasher 3/8in	
24	0641616	2	Bolt 3/8in-16NC x 2in	
25	Not Used			
26	2720271	10ft/3m	Hose	
27	2220315 2221046	2	Fitting Options: Fitting, Barbed (Prior to S/N 0300098816) Fitting 90° (S/N 0300098816 to Present)	
28	2720058	16ft/4.9m	Hose	
29	1320022	A/R	Clamp, Hose	
30	0100020	A/R	Sealant	
31	4100026	3ft/1m	Sleeve, Hose	
32	2220459	3	Fitting 90° (Prior to S/N 0300098816)	
33	4240033	10	Strap, Tie	
34 to 51	Not Used			
52	3571157	1	Plate	
53	0641406	4	Bolt 1/4in-20NC x 3/4in	
54	4711400	16	Flatwasher 1/4in Narrow	
55	3311405	8	Locknut 1/4in-20NC	
56	0641413	4	Bolt 1/4in-20NC x 1-1/2in	
57	1320041	1	Clamp	
58	0641408	1	Bolt 1/4in-20NC x 1in	
59	0100011	A/R	Compound, Locking	

SECTION 2 TURNTABLE

FIGURE 2-8. GROUND CONTROL BOX ASSEMBLY



SECTION 2 TURNTABLE

FIGURE 2-8. GROUND CONTROL BOX ASSEMBLY

ITEM #	PART NUMBER	QTY.	DESCRIPTION	REV.
		Ref.	GROUND CONTROL BOX ASSEMBLY	
		Ref.	Prior to S/N 0300100450:	
	0861263	Ref.	E/M450A Models	8/E
	0861401	Ref.	E/M450AJ Models	5
	0861263	Ref.	E/M400A Models	8/E
	0861352	Ref.	E/M400AJP Models	8/E
		Ref.	S/N 0300100450 to Present:	
		Ref.	CE Spec	
	1810137	Ref.	E/M450A Models	B
	1810139	Ref.	E/M450AJ Models	B
	1810137	Ref.	E/M400A Models	B
	1810135	Ref.	E/M400AJP Models	B
		Ref.	Australian Spec	
	1810139	Ref.	E/M450AJ Models (S/N 0300100150 to S/N 0300149145)	B
	1810138	Ref.	E/M450AJ Models (S/N 0300149145 to Present)	B
	1810135	Ref.	E/M400AJP Models (S/N 0300100150 to S/N 0300149145)	B
	1810134	Ref.	E/M400AJP Models (S/N 0300149145 to Present)	B
1	0861152	1	Box Weldment	
2	0641605	4	Bolt 3/8in-16NC x 5/8in	
3	4761600	4	Lockwasher 3/8in	
4	4751600	4	Flatwasher 3/8in	
5	0902406	1	Bracket, Module Mounting	
6		1	Nameplate Options:	
	Use 3252812	1	Prior to S/N 0300057535 (was p/n 3252632)	
	Use 3252812	1	S/N 0300057535 to S/N 0300074684 (was p/n 3252669)	
	3252812	1	S/N 0300074684 to S/N 0300100450	
	1706938	1	S/N 0300100450 to Present	
7	4740120	12	Washer, Nylon	
8	3300365	6	Nut, Retainer	
9	0630518	6	Screw #10-24 x 3/4in	
10	3960438	50in/1.26m	Seal	
11	4460007	1	Strip, Terminal - 6 Position	
12		1	Module Options:	
	Use 1001109497	1	Prior to S/N 0300059841(was p/n 0610129)	
	Use 1001109497	1	S/N 0300059841to S/N 0300072454 (was p/n 0610139)	
	1001109497	1	S/N 0300072454 to Present (was p/n 0610166)	
13	0750808	6	Screw #8 x 1in	
14	4460264	3	Buss, Terminal	
15	3300188	6	Nut, Tinnerman	
16	4460425	1	Connector, Strain Relief	
17	4360476	1	Block, Contact	
18	4460495	1	Connector 14 Position	
19	4460497	1	Nut, Conduit	
20	4460496	1	Lockwasher	
21	2420106	1	Gauge, Hourmeter/Battery Capacity	
22	4740397	A/R	Spacer	
23	4360328	A/R	Switch, Toggle	

SECTION 2 TURNTABLE

FIGURE 2-8. GROUND CONTROL BOX ASSEMBLY (CONTINUED)

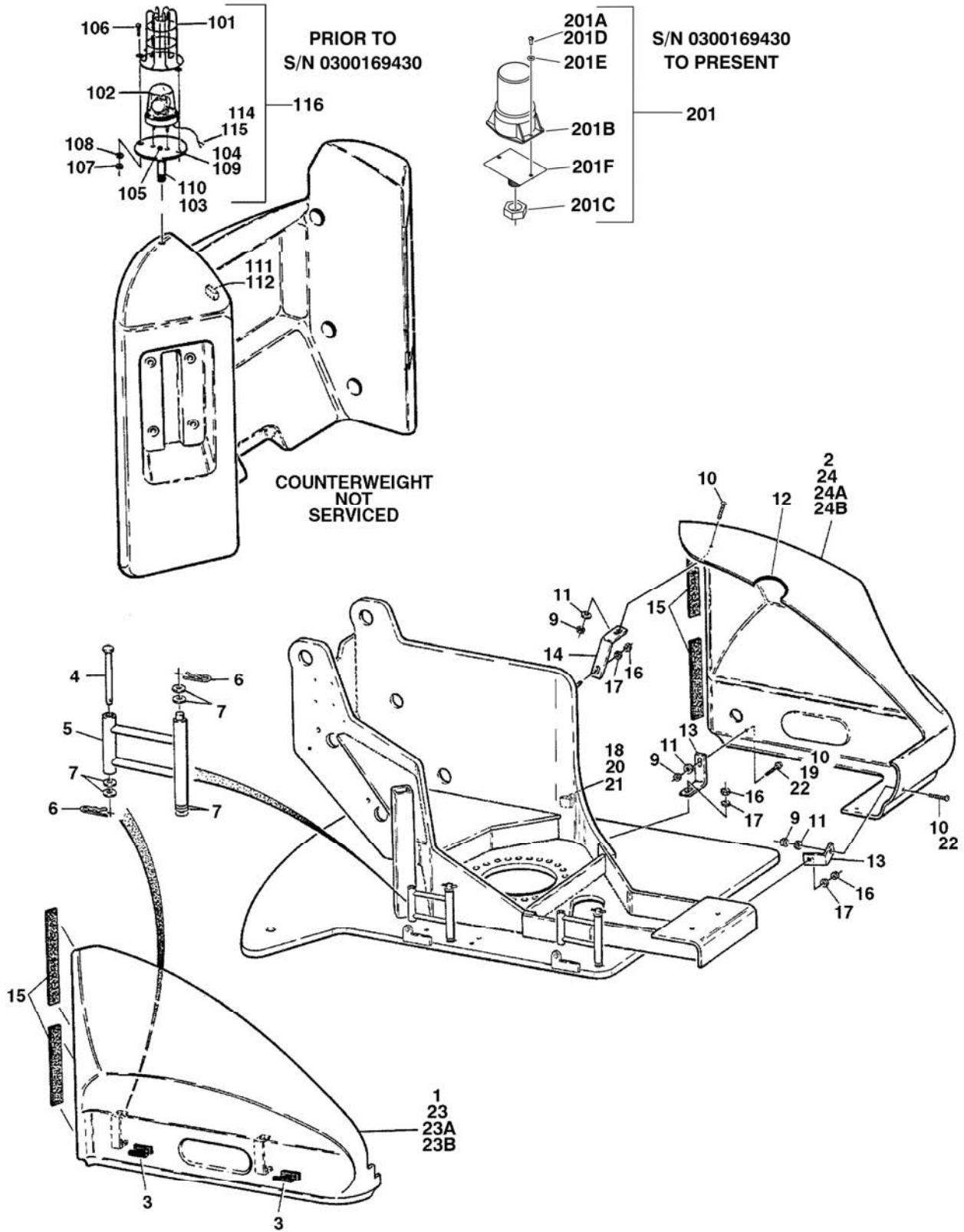
ITEM #	PART NUMBER	QTY.	DESCRIPTION	REV.
24	4060906	A/R	Guard, Switch Options: Prior to S/N 0300079931	
	4060802		S/N 0300079931 to Present	
25	4360475	1	Switch, Emergency Stop	
	7020175	1	Mushroom Head	
	7020176	1	Block, Contact	
26	4360470	1	Keyswitch Options: CE Spec	
	4360470		Australian Spec S/N 0300100150 to S/N 0300149145	
	4360469		S/N 0300149145 to Present	
26A	2860030	A/R	Key, Replacement (Set of 2)	
27	4360070	2	Breaker, Circuit - 15Amp	
28	3300396	2	Nut, Special	
29	Not Used			
30	0721005	2	Screw #10-24NC x 5/8in	
31	3311005	2	Locknut #10-24NC	
32	1060584	1	Cable, Lanyard	
33	3311011	1	Nut, Push #10	
34	4360330	1	Switch, Toggle (S/N 0300100450 to Present)	
35	3520028	A/R	Plug, Hole 1/2in	
36		1	Plug, Hole Options: Plug, Hole 7/16in (Prior to S/N 0300072854)	
	3520054		Plug, Hole 5/8in (S/N 0300072854 to Present)	
37	4070987	5	Shim, Nylon	
38	3910804	6	Screw #8-32NC x 1/4in	
		Ref.	MOTOR CONTROLS INSTALLATION (M450 & M400 ONLY)	
	0257824	Ref.	All M450 Models Built Prior to S/N 0300059390	11
	0270344	Ref.	All M450 Models Built S/N 0300059390 to S/N 0300079057	5/B
	0270344	Ref.	All M400 Models Prior to S/N 0300079057	5/B
	0273573	Ref.	All M450/M400 Models S/N 0300079057 to S/N 0300088539	B
	0274617	Ref.	All M450/M400 Models S/N 0300088539 to Present	E
101	2920151	1	Led (Red)	
	4460248	2	Terminal, Button Splice	
102	4360274	1	Switch, Push Button	
	4460259	2	Terminal, Posi-Lock	
	4460260	2	Terminal, Housing	
	0273104	Ref.	INDICATOR LIGHT INSTALLATION	1/A
201	2920151	1	Light, LED	

FIGURE 2-8. GROUND CONTROL BOX ASSEMBLY (CONTINUED)

ITEM #	PART NUMBER	QTY.	DESCRIPTION	REV.

SECTION 2 TURNTABLE

FIGURE 2-9. HOODS AND BEACON LIGHT INSTALLATIONS



SECTION 2 TURNTABLE

FIGURE 2-9. HOODS AND BEACON LIGHT INSTALLATIONS

ITEM #	PART NUMBER	QTY.	DESCRIPTION	REV.
		Ref.	HOODS INSTALLATION	
	0258953	Ref.	M450 & M400 Models	5/C
	0253709	Ref.	E450 & E400 Models (Prior to S/N 0300075499)	7/G
	0258953	Ref.	E450 & E400 Models (S/N 0300075499 to Present)	5/C
1	See Note	1	Hood, LH (was p/n 2680473) (Note: Use Items 23A or 23B)	
2	See Note	1	Hood Options: M450 & M400 Models (was p/n 2680474) (Note: Use Items 24A or 24B)	
	See Note		E450 & E400 Models (was p/n 2680475) (Note: Use Items 24A or 24B)	
3	2940071	2	Latch	
4	3430840	2	Pin, Clevis	
5	0253687	2	Hinge, Swing	
	0961749	4	Bushing	
6	3420156	4	Pin, Hair Cotter	
7	4751800	A/R	Flatwasher 1/2in	
8	Not Used			
9	3311501	A/R	Nut 5/16in-18NC	
10	0630468	3	Bolt 5/16in-18NC x 1in	
11	4751500	5	Flatwasher 5/16in	
12		A/R	Shield, Flex Trim Options: Prior to S/N 0300134967 S/N 0300134967 to Present	
	4060803			
	4060805			
13	0901923	2	Bracket, Hood Mounting	
14	0901921	1	Bracket, Hood Mounting	
15	3960453	5ft/1.5m	Seal, Door	
16	3311601	A/R	Nut 3/8in-16NC	
17	4751600	A/R	Flatwasher 3/8in	
18		1	Clamp Options: Clamp, Insulated Cable 3/8in (Prior to S/N 0300093848) Clamp, Insulated Cable 1/2in (S/N 0300093848 to Present)	
19	1320043			
20	1320041			
21	0641510	A/R	Bolt 5/16in-18NC x 1-1/4in	
22	4751400	1	Flatwasher 1/4in	
23	3311401	1	Nut 1/4in-20NC	
24	0100011	A/R	Compound, Locking	
		A/R	LH Side Hood Kit Options:	
		Ref.	Note: Replacement Decals Must be Ordered Separately - See Section 8.	
23A	2901482	1	LH Side Hood Kit - E400 & E450 Models (Includes Items 1, 3-6 & 15)	
23B	Use 2901482	1	LH Side Hood Kit - M400 & M450 Models (Includes Items 1, 3-6 & 15) (was p/n 2901778)	
24		A/R	RH Side Hood Kit Options:	
		Ref.	Note: Replacement Decals Must be Ordered Separately - See Section 8.	
24A	Use 2901777	1	RH Side Hood Kit - E400 & E450 Models (Includes Items 7-10, 13-15 & #2 - 2680475 Hood) (was p/n 2901486)	
24B	2901777	1	RH Side Hood Kit - M400 & M450 Models (Includes Items 7,10, 13-15 & #2 - 2680474 Hood)	

SECTION 2 TURNTABLE

FIGURE 2-9. HOODS AND BEACON LIGHT INSTALLATIONS (CONTINUED)

ITEM #	PART NUMBER	QTY.	DESCRIPTION	REV.
	0259305	Ref.	STROBE LIGHT INSTALLATION (OPTIONAL) (PRIOR TO S/N 0300169430)	2
101	4060865	1	Guard, Light	
102	Use 0272529	1	Light, Strobe (Amber) (was p/n 2920146)	
	7016319	1	Bulb, Light	
	7016372	1	Amber Lens	
103	0630491	1	Bolt, Special (Prior to S/N 0300069568)	
104		1	Plate, Mounting Options:	
	3537903		Prior to S/N 0300069568	
	4846698		S/N 0300069568 to Present	
105	0741606	1	Screw, Flathead 3/8in-16NC x 3/4in (Prior to S/N 0300069568)	
106		2	Hardware Options:	
	0721008		Bolt #10-24NC x 1in (Prior to S/N 0300069568)	
	3911014		Screw (S/N 0300069568 to Present)	
107		2	Nut Options:	
	3311005		Locknut #10-24NC (Prior to S/N 0300069568)	
	3311001		Nut #10-24NC (S/N 0300069568 to Present)	
108	4751000	4	Flatwasher #10	
109	4220162	1	Spacer	
110	0100011	A/R	Compound, Locking	
111	4240032	1	Tie-Strap	
112	4460234	1	Clamp	
113		16in/41cm	Loom Options (Not Shown):	
	2820036		Prior to S/N 0300069568	
	2820035		S/N 0300069568 to Present	
114	4460267	2	Pin, Male (S/N 0300069568 to Present)	
115	4460320	1	Plug, Male, 2 Position (S/N 0300069568 to Present)	
116	0272529	1	Kit Light, Strobe Assembly (Includes Items 101, 102, 104, 106, 107, 108, 109, 110, 113, 114 & 115) (S/N 0300069568 to Present)	A
	1001149955	Ref.	STROBE LIGHT INSTALLATION (OPTIONAL) (S/N 0300169430 TO PRESENT)	A
201	1001150406	1	Strobe Light Assembly	
201A	0100035	A/R	Compound, Locking	
201B	2920161	1	Light, Strobe (Amber)	
	7016319	1	Bulb, Light	
	7016372	1	Amber Lens	
201C	3312602	1	Nut, Jam 1in-8NC	
201D	3900085	2	Screw #10-32NC X 1/2in	
201E	4751000	2	Flatwasher #10 (Wide)	
201F	1001149994	1	Plate, Mounting	
202	1001149818	1	Harness, Strobe Light (Not Shown - See Section 7 for Breakdown)	

SECTION 3 BOOM

SECTION 3 BOOM

FIGURE 3-1. BOOMS & CYLINDERS INSTALLATION

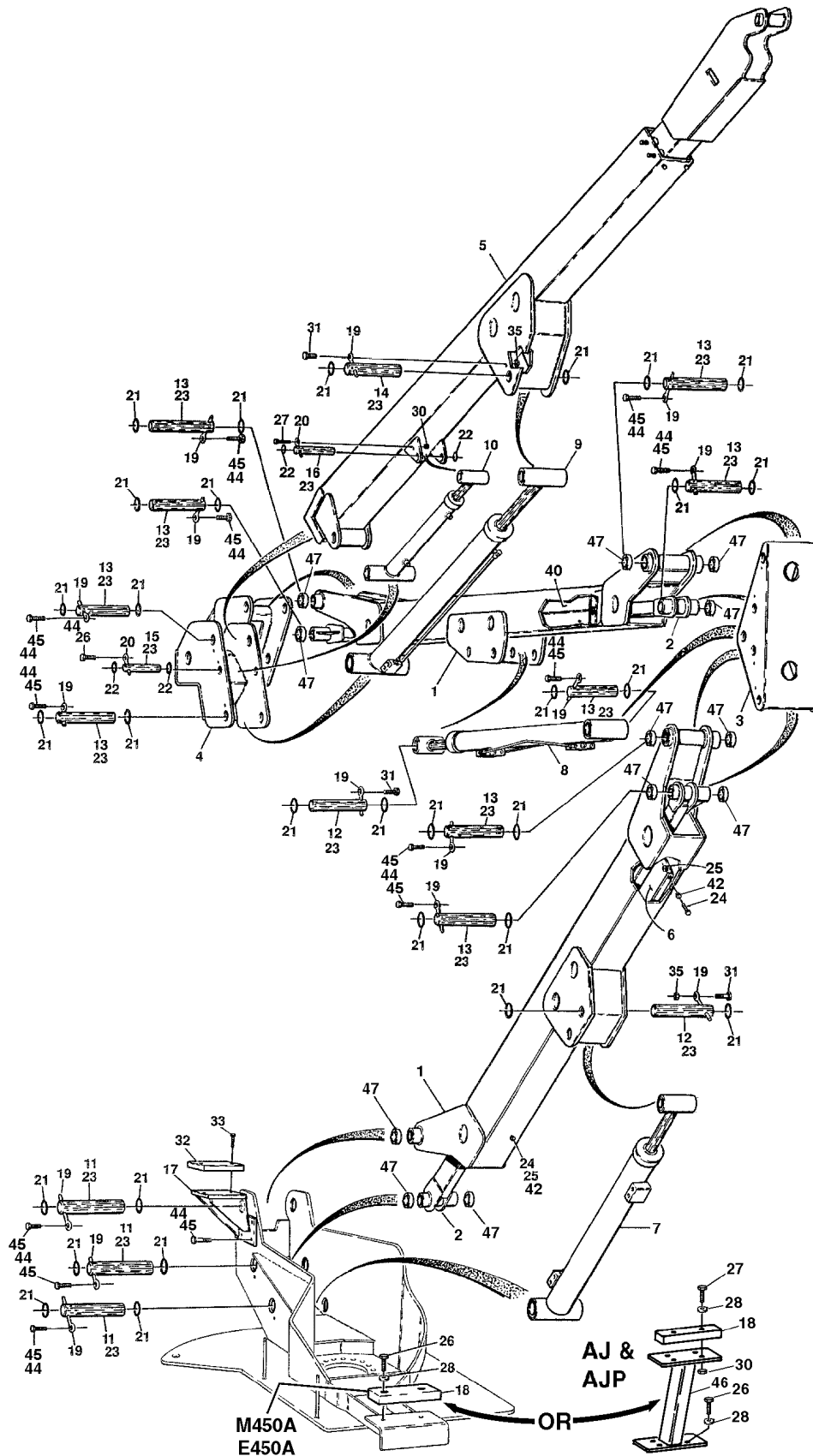


FIGURE 3-1. BOOMS & CYLINDERS INSTALLATION

ITEM #	PART NUMBER	QTY.	DESCRIPTION	REV.
		Ref.	BOOMS INSTALLATIONS	
	0258691	Ref.	E/M450A Models	B
	0259366	Ref.	E/M450AJ Models	I
	0270724	Ref.	E/M400A Models	F
	0259939	Ref.	E/M400AJP Models (Prior to S/N 0300064958)	4/E
	0271647	Ref.	E/M400AJP Models (S/N 0300064958 to Present)	D
1		2	Boom Assembly - Tower Options: E/M450 Models (Prior to S/N 0300056571) E/M450 Models (S/N 0300056571 to Present) E/M400A Models E/M400AJP Models	
2		2	Level Link Options: E/M450 Models (Prior to S/N 0300056571) E/M450 Models (S/N 0300056571 to Present) E/M400 Models	
3		1	Upright Weldment (Lower) E/M450 Models E/M400A Models E/M400AJP Models	
4		1	Upright Weldment (Upper) Options: E/M450A & E/M400A Models E/M450AJ & E/M400AJP Models	
5		1	Boom Assembly - Main Options: E/M450A Models (See Figure 3-2 for Breakdown) E/M450AJ Models (See Figure 3-3 for Breakdown) E/M400A Models (See Figure 3-2 for Breakdown) E/M400AJP Models (See Figure 3-5 for Breakdown)	
6		1	Hose Guard Plate Options: E/M450 Models (Prior to S/N 0300093848) E/M400 Models	
7		1	Lift Cylinder Assy - Lower (See Section 5 for Breakdown): E/M450A Models (Prior to S/N 0300058843) E/M450A Models (S/N 0300058843 to S/N 0300091053) E/M450A Models (S/N 0300091053 to Present) E/M450AJ Models (Prior to S/N 0300056571) E/M450AJ Models (S/N 0300056571 to S/N 0300086022) E/M450AJ Models (S/N 0300086022 to Present) E/M400A Models (Prior to S/N 0300086022) E/M400A Models (S/N 0300086022 to Present) E/M400AJP Models (Prior to S/N 0300091053) E/M400AJP Models (S/N 0300091053 to Present)	
8		1	Lift Cylinder Assy - Mid Options (See Section 5 for Breakdown): E/M450A Models (Prior to S/N 0300058843) E/M450A Models (S/N 0300058843 to S/N 0300091053) E/M450A Models (S/N 0300091053 to Present) E/M450AJ Models (Prior to S/N 0300056571) E/M450AJ Models (S/N 0300056571 to S/N 0300086022) E/M450AJ Models (S/N 0300086022 to Present) E/M400A Models (Prior to S/N 0300080496)	

SECTION 3 BOOM

FIGURE 3-1. BOOMS & CYLINDERS INSTALLATION (CONTINUED)

ITEM #	PART NUMBER	QTY.	DESCRIPTION	REV.
8 (cont'd)	1684447	1	Lift Cylinder Assy - Mid Options (See Section 5 for Breakdown): E/M400A Models (S/N 0300080496 to S/N 0300086022)	
	1684454			
	1683942			
	1684452			
9		1	Lift Cylinder Assembly - Upper Options (See Section 5 for Breakdown): E/M450A Models (Prior to S/N 0300058843) E/M450A Models (S/N 0300058843 to Present) E/M450AJ Models (Prior to S/N 0300056571) E/M450AJ Models (S/N 0300056571to Present) E/M400A Models (Prior to S/N 0300073768) E/M400A Models (S/N 0300073768 to Present) E/M400AJP Models	
	1683708			
	1684061			
	1683813			
	1683945			
	1684033			
	1684061			
10		1	Master Cylinder Assembly Options (See Section 5 for Breakdown): E/M450A Models Options: Prior to S/N 0300056894) S/N 0300056894 to S/N 0300165128) (was p/n 1683932) S/N 0300165128 to Present) E/M450AJ Models Options: Prior to S/N 0300163453 (was p/n 1683923) S/N 0300163453 to Present E/M400A Models Options: Prior to S/N 0300165128) (was p/n 1683932) S/N 0300165128 to Present) E/M400AJP Models Options: Prior to S/N 0300163453 (was p/n 1683923) S/N 0300163453 to Present	
	1683325			
	Use 1001140597 1001140597			
	Use 1001140278 1001140278			
	Use 1001140597 1001140597			
	Use 1001140278 1001140278			
11		3	Pin Options: E/M450 Models E/M400A Models E/M400AJP Models	
	3422175			
	3422175			
12		2	Pin Options: E/M450 Models E/M400A Models E/M400AJP Models	
	3422176			
	3422176			
13		9	Pin Options: E/M450 Models E/M400A Models E/M400AJP Models (Prior to S/N 0300064627) E/M400AJP Models (S/N 0300064627 to Present)	
	3422481			
	3422177			
	3422177			
14		1	Pin Options: E/M450 Models E/M400A Models E/M400AJP Models	
	3422178			
	3422178			
15		1	Pin Options: E/M450A Models E/M400A Models E/M450AJ & E/M400AJP Models	
	3422844			
	3422179			
	3422179			
	3422806			

FIGURE 3-1. BOOMS & CYLINDERS INSTALLATION (CONTINUED)

ITEM #	PART NUMBER	QTY.	DESCRIPTION	REV.
16		1	Pin Options:	
	3422180		E/M450A Models	
	3422180		E/M400A Models	
	3422582		E/M450AJ & E/M400AJP Models	
17	4844467	1	Boom Rest Weldment	
18	0561076	1	Block, Boom Rest	
19	3841203	A/R	Keeper, Pin - 1/2in	
20	3841143	A/R	Keeper, Pin - 3/8in	
21	3780184	30	O-Ring - 2in (E450, M450, E450AJ & M450AJ Prior to S/N 0300058843 Only)	
22	3780181	4	O-Ring - 1in (E450 & M450 Prior to S/N 0300058843 Only)	
23	3020022	A/R	Grease (Prior to S/N 0300058843 Only)	
24	0641506	4	Bolt 5/16in-18NC x 3/4in (Prior to S/N 0300093848)	
25	3311505	4	Locknut 5/16in-18NC (Prior to S/N 0300093848)	
26	0641608	A/R	Bolt 3/8in-16NC x 1in	
27	0641610	A/R	Bolt 3/8in-16NC x 1-1/4in	
28	4751600	A/R	Flatwasher 5/16in	
29	Not Used			
30	3311605	3	Locknut 3/8in-16NC	
31	0641812	3	Bolt 1/2in-13NC x 1-1/2in	
32	0940048	1	Bumper	
33	0641806	A/R	Bolt 1/2in-13NC x 3/4in	
34	Not Used			
35	3311805	A/R	Locknut 1/2in-13NC	
36 to 39	Not Used			
40		A/R	Tube	
	4566356		E450 & M450	
	4566427		E400 & M400	
41	Not Used			
42	4751500	A/R	Flatwasher 5/16in	
43	Not Used			
44	0100011	A/R	Compound, Locking	
45	0641810	12	Bolt 1/2in-13NC x 1-1/4in	
46	4846091	1	Rest, Boom (450AJ & 400AJP Models Only) (Prior to S/N 0300084057)	
47		16	Teflon Bushing Options:	
	0961726		E/M450 Models (Prior to S/N 0300056571)	
	0961950		E/M450 Models (S/N 0300056571 to Present)	
	0961950		E/M400 Models	

SECTION 3 BOOM

FIGURE 3-2. E/M450A & E/M400A MAIN BOOM ASSEMBLY & PLATFORM SUPPORT INSTALLATION

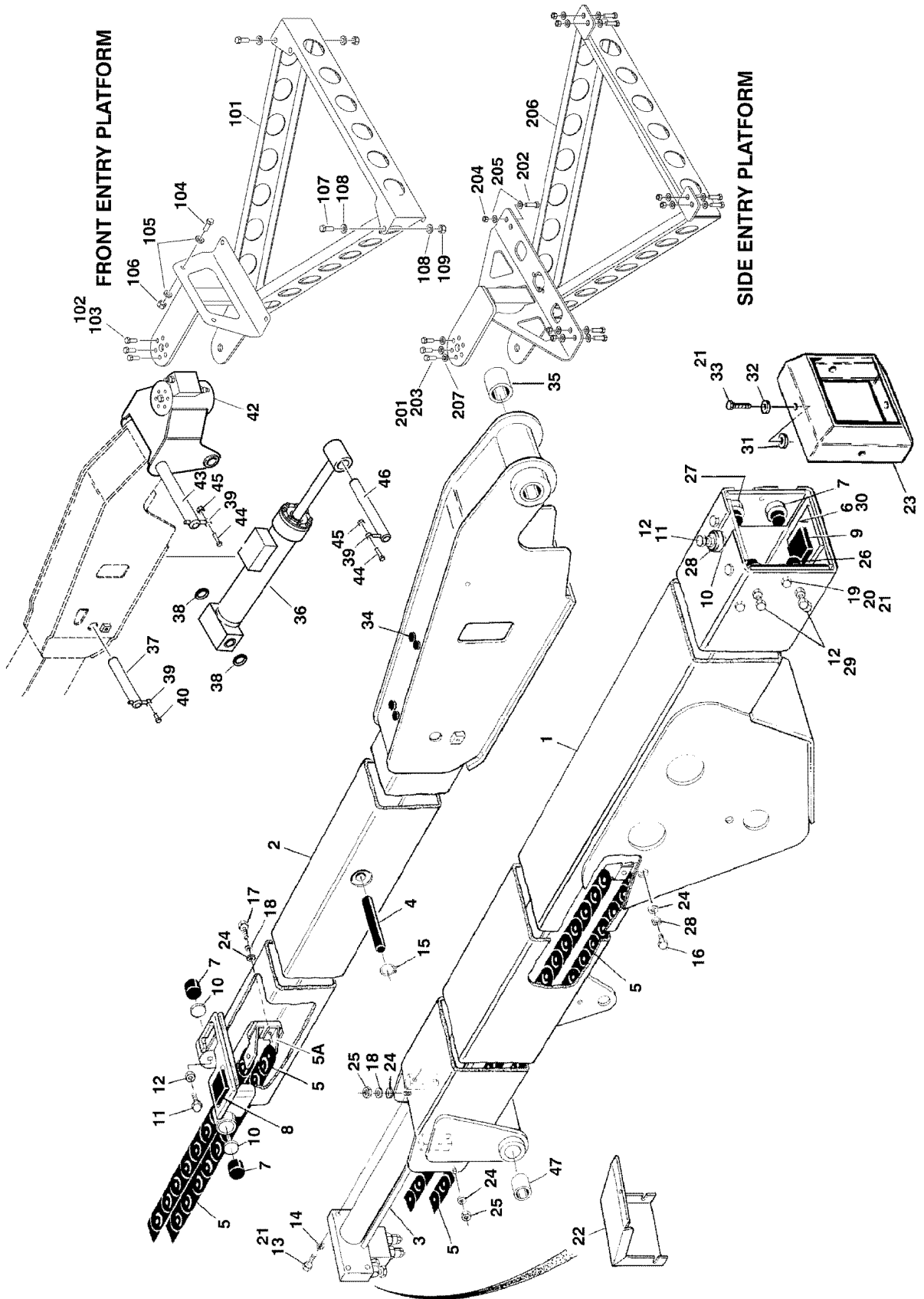


FIGURE 3-2. E/M450A & E/M400A MAIN BOOM ASSEMBLY & PLATFORM SUPPORT INSTALLATION

ITEM #	PART NUMBER	QTY.	DESCRIPTION	REV.
		Ref.	MAIN BOOM ASSEMBLY	
	0801169	Ref.	E/M450A Models	C
	0270725	Ref.	E/M400A Models	C
1		1	Base Weldment Options: E/M450A Models (Prior to S/N 0300056571) E/M450A Models (S/N 0300056571 to Present) E/M400A Models	
2		1	Fly Weldment Options: E/M450A Models E/M400A Models	
3		1	Telescope Cylinder Assembly Options (See Section 5 for Breakdown): E/M450A Models E/M400A Models	
4		1	Pin Options: Prior to S/N 0300067313 S/N 0300067313 to Present	
5		1	Powertrack Assembly	
		1	Link, Repair	
5A		1	Feet, Mounting	
6		1	Holder, Wear Pad	
7		8	Pad, Wear (Base Front Top & Sides/Fly Rear Sides & Bottom)	
8		2	Pad, Wear (Fly Rear Top)	
9		1	Pad, Wear (Base Front Bottom)	
10		8	Disc	
11		6	Bolt, Special	
12		8	Nut, Jam 3/8in-16NC	
13		4	Bolt 1/2in-13NC x 2-1/4in	
14		4	Lockwasher 1/2in	
15		2	Ring, Snap	
16		2	Bolt 1/4in-20NC x 5/8in	
17		2	Bolt 1/4in-20NC x 1/2in	
18		7	Lockwasher 1/4in	
19		7	Bolt 3/8in-16NC x 3/4in	
20		7	Lockwasher 3/8in	
21		A/R	Compound, Locking	
22	Use 1670679	1	Cover, Boom (was p/n 1670678) (Prior to S/N 0300137414)	
23	1670698	1	Cover, Boom	
24	4751400	7	Flatwasher 1/4in	
25	3311401	3	Nut 1/4in-20NC	
26	1220038	1	Holder, Wear Pad (Base Front Left Sides)	
27	1220039	1	Holder, Wear Pad (Base Front Right Side)	
28	1220040	1	Holder, Wear Pad (Base Front Top)	
29	0630399	2	Bolt, Special	
30	0100009	A/R	Silicone	
31	4740413	5	Washer, Spacer	
32	4751600	5	Flatwasher 3/8in	

SECTION 3 BOOM

FIGURE 3-2. E/M450A & E/M400A MAIN BOOM ASSEMBLY & PLATFORM SUPPORT INSTALLATION (CONTINUED)

ITEM #	PART NUMBER	QTY.	DESCRIPTION	REV.
33	0641608	5	Bolt 3/8in-16NC x 1in	
34	3520034	4	Plug, Hole	
35	0961951	2	Bearing, Garmax	
36		1	Cylinder Assembly Options (See Section 5 for Breakdown): E/M450A Models Options: Prior to S/N 0300056894 S/N 0300056894 to S/N 0300165128 (was p/n 1683933) S/N 0300165128 to Present E/M400A Models Options: Prior to S/N 0300165128 (was p/n 1683933) S/N 0300165128 to Present	
	1683285			
	Use 1001140598			
	1001140598			
	Use 1001140598			
	1001140598			
37	3422181	1	Shaft, Pin	
38	3780181	4	O-Ring (1in) (Prior to S/N 0300103057)	
39	3841143	3	Keeper	
40	0641607	1	Bolt 3/8in-16NC x 7/8in	
41	Not Used			
42	0060052	1	Rotator Assembly (See Figure 3-7 for Breakdown)	
43	3422709	1	Shaft, Pin	
44	0641608	2	Bolt 3/8in-16NC x 1in	
45	3311605	2	Locknut 3/8in-16NC	
46	3422180	1	Shaft, Pin	
47	0961950	2	Bearing	
		Ref.	PLATFORM ROTATOR AND SUPPORT INSTALLATION (FRONT ENTRY PLATFORM)	
	0259754	Ref.	E450A & M450A Models (Australian Spec) (Prior to S/N 0300063775)	3/C
	0259439	Ref.	E400A & M400A Models (Australian Spec)	E
	0270702	Ref.	E/M400A & E/M450A Models (CE Spec) (Prior to S/N 0300063775)	2/B
	0259439	Ref.	E/M400A & E/M45A0 Models (CE/Australian Specs) (S/N 0300063775 to Present)	E
101	4846322	1	Weldment, Support	
102	0681608	6	Bolt 3/8in-16NC x 1in (Grade 8)	
103	0100011	A/R	Compound, Locking	
104	0641407	2	Bolt 1/4in-20NC x 7/8in	
105	4740362	4	Washer, Fender	
106	3311405	2	Nut 1/4in-20NC	
107	0641610	6	Bolt 3/8in-16NC x 1-1/4in	
108	4711600	18	Flatwasher	
109	3311605	6	Locknut 3/8in-16NC	

**FIGURE 3-2. E/M450A & E/M400A MAIN BOOM ASSEMBLY & PLATFORM SUPPORT
INSTALLATION (CONTINUED)**

ITEM #	PART NUMBER	QTY.	DESCRIPTION	REV.
		Ref.	PLATFORM ROTATOR AND SUPPORT INSTALLATION (SIDE ENTRY PLATFORM)	
	0272976	Ref.	E450A & M450A without Load Sensing	A
	See Note	Ref.	E450A & M450A with Load Sensing (Note: For replacement parts, contact JLG Customer Service & request manual p/n 3124287)	
201	0100011	A/R	Compound, Locking	
202	0641610	8	Bolt 3/8in-16NC x 1-1/4in	
203	0681608	6	Bolt 3/8in-16NC x 1in (Grade 8)	
204	3311605	8	Locknut 3/8in-16NC	
205	4711600	16	Flatwasher 3/8in	
206		1	Weldment, Support Options:	
	4846608		E450A & M450A without Load Sensing	
	See Note Above		E450A & M450A with Load Sensing	
207	4891600	6	Flatwasher 3/8in (Hardened)	

SECTION 3 BOOM

FIGURE 3-3. E/M450AJ MAIN BOOM ASSEMBLY

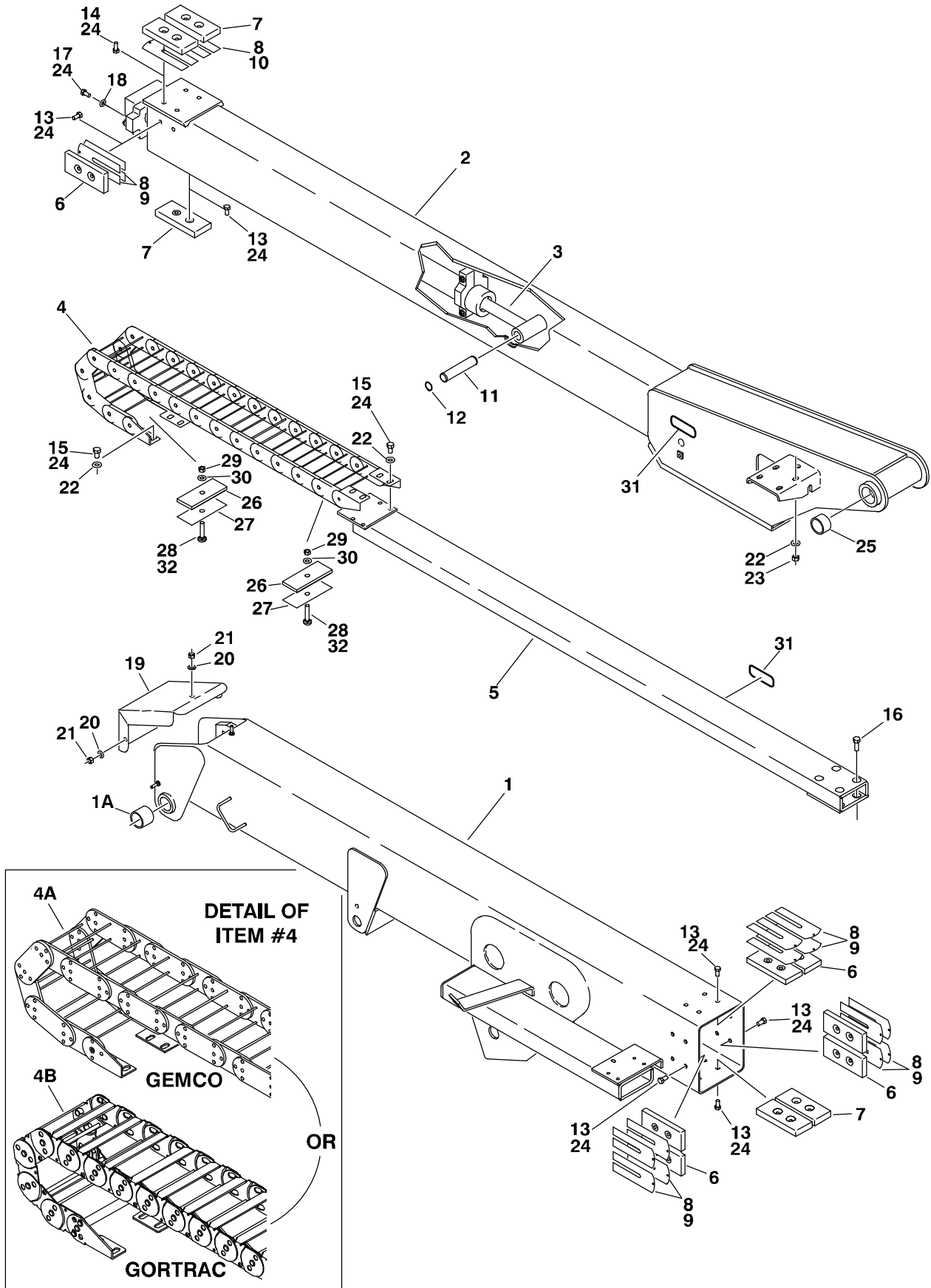


FIGURE 3-3. E/M450AJ MAIN BOOM ASSEMBLY

ITEM #	PART NUMBER	QTY.	DESCRIPTION	REV.
	0801197	Ref.	MAIN BOOM ASSEMBLY	G
1	0801198	1	Base Weldment Options: Prior to S/N 0300056571	
1A	0801260	2	S/N 0300056571 to Present Bearing Options:	
	0961726		Prior to S/N 0300056571	
	0961950		S/N 0300056571 to Present	
2	0801192	1	Fly Weldment	
3	1683798	1	Telescope Cylinder Assembly (See Section 5 for Breakdown)	
4		A/R	Powertrack Assembly Options:	
		Ref.	Note: Various Power Tracks use on this model. Identify brand before ordering parts.	
4A	See Note	1	Powertrack Prior to S/N 0300135622 (was p/n 1180352) (Gemco) (Note: When replacing complete carrier, order p/n 1001099833)	
	7006139	A/R	1ft. Repair Section (Includes 1ft. Section, 4 Rod Carriers, Pins & Mounting Slugs)	
	7006151	A/R	Feet, Mounting (Includes Left & Right Mounting Feet & 2 Round Spacers)	
	7006152	A/R	Pin Kit (Includes 1 Pin, 4 Washers & 1 Retaining Ring)	
4B	1001099833	1	Powertrack S/N 0300135622 to Present (Gortrac)	
	70001996	1	2ft. Repair Section (Includes 4 links, 10 pins, 10 washers, 10 snap rings, 2 Rod Carriers and 4 self-tapping screws)	
	70001998	1	Bracket Kit (Includes 2 Left & 2 Right Mounting Feet, 4 center pins, 4 center pin snap rings, 8 pins for bracket lockout, 8 washers & 8 snap rings)	
5	4846033	1	Pushtube Weldment	
6	Use 3340881	8	Pad, Wear (Base Front Top & Sides/Fly Rear Sides) (was p/n 3340756)	
7	3340837	5	Pad, Wear (Base Bottom/Fly Rear Top & Bottom)	
8	4070897	10	Shim 18 Gauge	
9	4070898	8	Shim 16 Gauge	
10	4070982	2	Shim 11 Gauge	
11	3422804	1	Pin	
12	3760115	2	Ring, Snap	
13	0641606	22	Bolt 3/8in-16NC x 3/4in	
14	0641607	4	Bolt 3/8in-16NC x 7/8in	
15	0641605	8	Bolt 3/8in-16NC x 5/8in	
16	0641608	24	Bolt 3/8in-16NC x 1in	
17	0641818	4	Bolt 1/2in-13NC x 2-1/4in	
18	4761800	4	Lockwasher 1/2in	
19	Use 1670679	1	Cover, Boom (was p/n 1670678 Prior to S/N 0300137414)	
20	4761600	3	Lockwasher 3/8in	
21	3311401	3	Nut 1/4in-20NC	
22	4711600	12	Flatwasher 3/8in	
23	3311605	4	Locknut 3/8in-16NC	
24	0100011	A/R	Compound, Locking	
25	0961948	A/R	Bearing, Garmax	

SECTION 3 BOOM

FIGURE 3-3. E/M450AJ MAIN BOOM ASSEMBLY (CONTINUED)

ITEM #	PART NUMBER	QTY.	DESCRIPTION	REV.
26	3570958 1001106757	3	Plate, Clamp Options: S/N 0300057118 to S/N 0300135622 S/N 0300135622 to Present	
27	Not Required 3340859 3340940 3340939	A/R 0 2 2 2	Pad, Rubber Options: Prior to S/N 0300057118 S/N 0300057118 to S/N 0300074608 S/N 0300074608 to S/N 0300135622 S/N 0300135622 to Present	
28	0630401	2	Bolt, Carriage 5/16in-18NC x 2in (S/N 0300057118 to Present)	
29	3311505	2	Locknut 5/16in-18NC (S/N 0300057118 to Present)	
30	4711500	2	Flatwasher 5/16in Narrow (S/N 0300057118 to Present)	
31	4060804	15in/38cm	Flex-Trim	
32	0100081	A/R	Adhesive	

FIGURE 3-3. E/M450AJ MAIN BOOM ASSEMBLY (CONTINUED)

ITEM #	PART NUMBER	QTY.	DESCRIPTION	REV.

SECTION 3 BOOM

FIGURE 3-4. E/M450AJ JIB AND PLATFORM SUPPORT & ROTATOR INSTALLATION

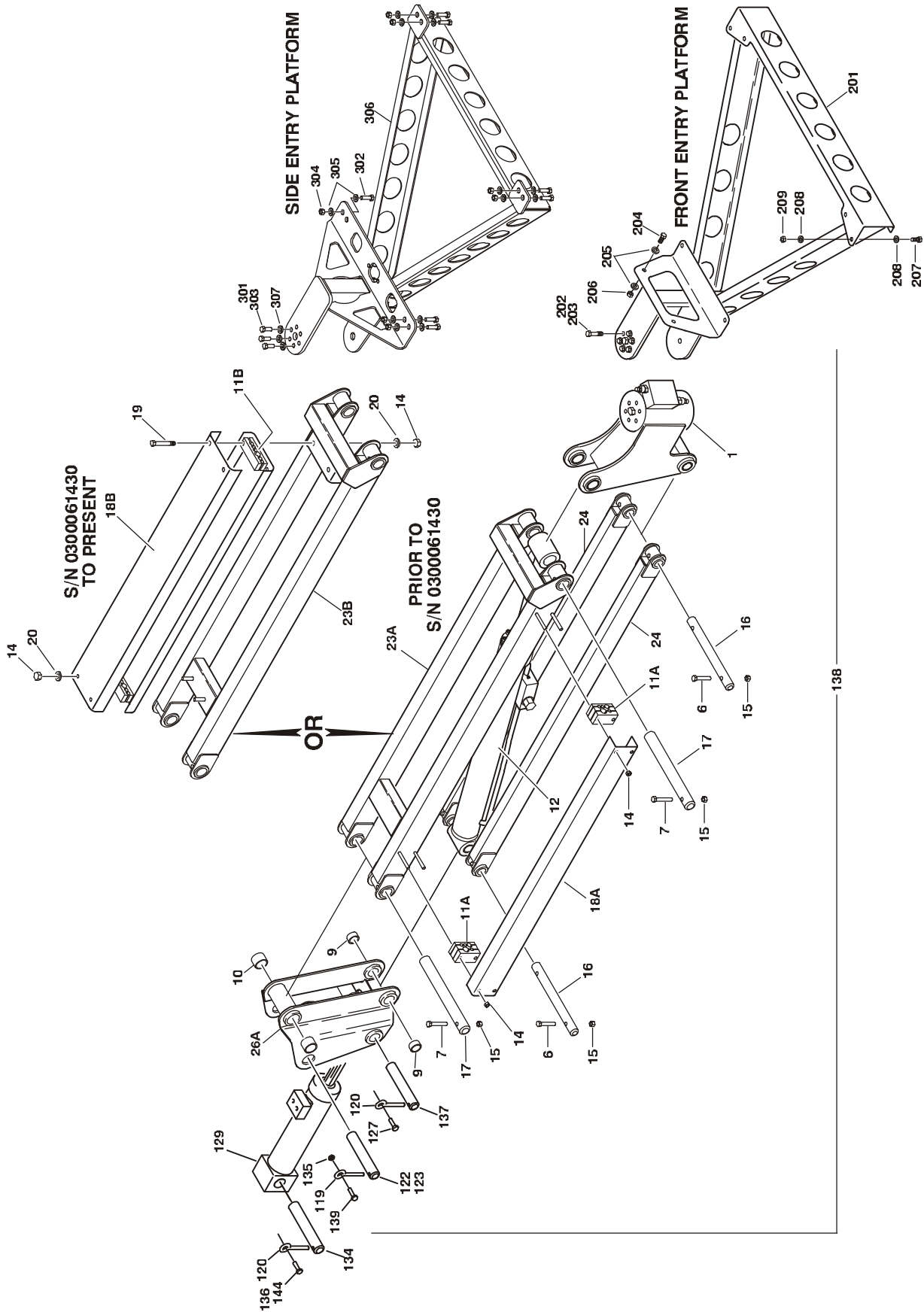


FIGURE 3-4. E/M450AJ JIB AND PLATFORM SUPPORT & ROTATOR INSTALLATION

ITEM #	PART NUMBER	QTY.	DESCRIPTION	REV.
		Ref.	JIB ASSEMBLIES	
	0259440	Ref.	E/M450AJ (Prior to S/N 0300061430)	D
	0270400	Ref.	E/M450AJ (S/N 0300061430 to Present)	F
1	0060044	1	Rotator Assembly (See Figure 3-7 for Breakdown)	
2 to 5	Not Used			
6	0641616	4	Bolt 3/8in-16NC x 2in	
7	0641618	2	Bolt 3/8in-16NC x 2-1/4in	
8	0641810	A/R	Bolt 1/2in-13NC x 1-1/4in	
9		A/R	Bushing, Garmax Options: Prior to S/N 0300144003 S/N 0300144003 to Present	
	0961947			
	0962292			
10	0961951	2	Bushing, Garmax	
11		A/R	Clamp, Block Options: Prior to S/N 0300061430 S/N 0300061430 to Present	
11A	1320259	2		
11B	3340860	4		
12		1	Jib Cylinder Assembly Options (See Section 5 for Breakdown): Prior to S/N 0300164333 S/N 0300164333 to Present	
	1683779			
	1001140280			
13	Not Used			
14	3311501	A/R	Nut 5/16in-18NC	
15	3311605	12	Locknut 3/8in-16NC	
16	3422791	2	Pin	
17	3422794	2	Pin	
18		A/R	Plate, Jib Cover Options: Prior to S/N 0300061430 S/N 0300061430 to Present	
18A	3571406	1		
18B	3572551	2		
19	0641516	2	Bolt 5/16in-18NC x 2in (S/N 0300061430 to Present Only)	
20	4751500	4	Flatwasher 5/16in (Wide) (S/N 0300061430 to Present Only)	
21 to 22	Not Used			
23		1	Link Options: (Upper) Prior to S/N 0300061430 S/N 0300061430 to Present	
23A	4845926			
23B	4846278			
24	Use 1001094670	2	Link (Lower) (was p/n 4845927)	
25	Not Used			
26	4845925	1	Pivot	
		Ref.	SUPPORT & ROTATOR ASSEMBLY	
	0259366	Ref.	E/M450AJ	H
101 to 118	Not Used			
119	3841203	1	Keeper, Pin	
120	3841143	2	Keeper, Pin	
121	Not Used			
122	3422793	1	Pin	
123	3020022	A/R	Grease	
124 to 126	Not Used			
127	0641610	1	Bolt 3/8in-16NC x 1-1/4in	
128	Not Used			

SECTION 3 BOOM

FIGURE 3-4. E/M450AJ JIB AND PLATFORM SUPPORT & ROTATOR INSTALLATION

ITEM #	PART NUMBER	QTY.	DESCRIPTION	REV.
129	1683760 Use 1001140279	1	Platform Level Cylinder Assembly Options (See Section 5 for Breakdown): E/M450AJ (Prior to S/N 0300056571) E/M450AJ (S/N 0300056571 to S/N 0300163453) (was p/n 1683924) E/M450AJ (S/N 0300163453 to Present)	
130 to 133	1001140279 Not Used			
134	3422669	1	Pin	
135	3311805	1	Locknut 1/2in-13NC	
136	0641607	1	Bolt 3/8in-16NC x 7/8in	
137	3422792	1	Pin	
138	0259440 0270400	1	Jib Assembly Options (Includes Items 1-27): E/M450AJ (Prior to S/N 0300061430) E/M450AJ (S/N 0300061430 to Present)	
139	0641809	1	Bolt 1/2in-13NC x 1-1/8in	
140 to 143	Not Used			
144	0100011	A/R	Compound, Locking	
		Ref.	PLATFORM ROTATOR AND SUPPORT INSTALLATION (FRONT ENTRY PLATFORM)	
	0259754	Ref.	E450AJ & M450AJ Models (Australian Spec) (Prior to S/N 0300063775)	3/C
	0270702	Ref.	E/M450AJ Models (CE Spec) (Prior to S/N 0300063775)	2/B
	0259439	Ref.	E/M450AJ Models (CE/Australian Specs) (S/N 0300063775 to Present)	E
201	4846322	1	Weldment, Support	
202	0681608	6	Bolt 3/8in-16NC x 1in (Grade 8)	
203	0100011	A/R	Compound, Locking	
204	0641407	2	Bolt 1/4in-20NC x 7/8in	
205	4740362	4	Washer, Fender	
206	3311405	2	Nut 1/4in-20NC	
207	0641610	6	Bolt 3/8in-16NC x 1-1/4in	
208	4711600	18	Flatwasher	
209	3311605	6	Locknut 3/8in-16NC	
		Ref.	PLATFORM ROTATOR AND SUPPORT INSTALLATION (SIDE ENTRY PLATFORM)	
	0272976	Ref.	E/M450AJ without Load Sensing	A
	See Note	Ref.	E/M450AJ with Load Sensing (Note: Refer to JLG Supplement p/n 3124287 for Components)	
301	0100011	A/R	Compound, Locking	
302	0641610	8	Bolt 3/8in-16NC x 1-1/4in	
303	0681608	6	Bolt 3/8in-16NC x 1in (Grade 8)	
304	3311605	8	Locknut 3/8in-16NC	
305	4711600	16	Flatwasher 3/8in	
306	4846608 See Note Above	1	Weldment, Support Options: E/M450AJ without Load Sensing E/M450AJ with Load Sensing	

FIGURE 3-4. E/M450AJ JIB AND PLATFORM SUPPORT & ROTATOR INSTALLATION

ITEM #	PART NUMBER	QTY.	DESCRIPTION	REV.
307	4891600	6	Flatwasher 3/8in Hardened	

SECTION 3 BOOM

FIGURE 3-5. E/M400AJP MAIN BOOM ASSEMBLY

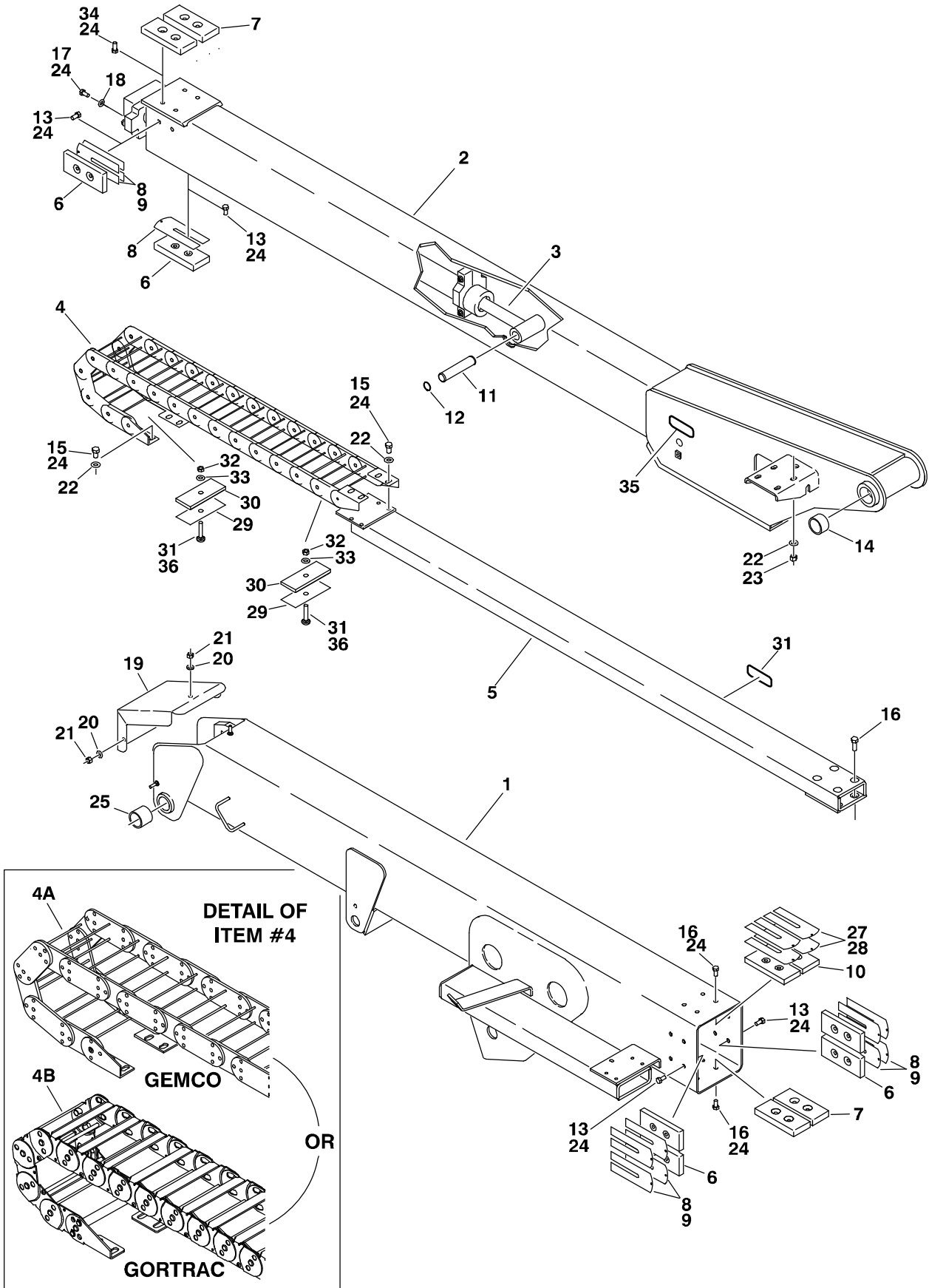


FIGURE 3-5. E/M400AJP MAIN BOOM ASSEMBLY

ITEM #	PART NUMBER	QTY.	DESCRIPTION	REV.
	0801225	Ref.	MAIN BOOM ASSEMBLY	9/H
1	0801224	1	Base Weldment	
2	0801226	1	Weldment, Fly Boom	
3	1683911	1	Cylinder, Telescope (See Section 5 for Breakdown)	
4		A/R	Carrier, Power Track Options:	
		Ref.	Note: Various Power Tracks use on this model. Identify brand before ordering parts.	
4A	See Note	1	Powertrack Prior to S/N 0300135622 (Gemco) (was p/n 1180353) (Note: When replacing complete carrier, order p/n 1001099834)	
	7006139	A/R	1ft. Repair Section (Includes 1ft. Section, 4 Rod Carriers, Pins & Mounting Slugs)	
	7006151	A/R	Feet, Mounting (Includes Left & Right Mounting Feet & 2 Round Spacers)	
	7006152	A/R	Pin Kit (Includes 1 Pin, 4 Washers & 1 Retaining Ring)	
4B	1001099834	1	Powertrack S/N 0300135622 to Present (Gortrac)	
	70001996	1	2ft. Repair Section (Includes 4 links, 10 pins, 10 washers, 10 snap rings, 2 Rod Carriers and 4 self-tapping screws)	
	70001998	1	Bracket Kit (Includes 2 Left & 2 Right Mounting Feet, 4 center pins, 4 center pin snap rings, 8 pins for bracket lockout, 8 washers & 8 snap rings)	
5	4846180	1	Weldment, Push Tube	
6	3340878	10	Pad, Wear	
7	3340884	4	Pad, Wear	
8	4070864	12	Shim 18 Gauge	
9	4070863	8	Shim 11 Gauge	
10	3340886	2	Pad, Wear	
11	3422804	1	Pin	
12	3760115	2	Ring, Retaining	
13	0641606	30	Bolt 3/8in-16NC x 3/4in	
14	0961948	2	Bearing	
15	0641605	8	Bolt 3/8in-16NC x 5/8in	
16	0641608	16	Bolt 3/8in-16NC x 1in	
17	0641818	4	Bolt 1/2in-13NC x 2-1/4in	
18	4761800	4	Lockwasher 1/2in	
19	1670959	1	Cover	
20	4761400	3	Lockwasher 1/4in	
21	3311401	3	Nut 1/4in-20NC	
22	4711600	12	Flatwasher 3/8in	
23	3311605	4	Locknut 3/8in-16NC	
24	0100011	A/R	Compound, Locking	
25	0961950	2	Bearing	
26	3520082	2	Plug (Not Shown)	
27	4070997	2	Shim 16 Gauge	
28	4070998	2	Shim 18 Gauge	
29		3	Plate, Clamp Options:	
	3570958		S/N 0300057118 to S/N 0300135622	
	1001106757		S/N 0300135622 to Present	

SECTION 3 BOOM

FIGURE 3-5. E/M400AJP MAIN BOOM ASSEMBLY (CONTINUED)

ITEM #	PART NUMBER	QTY.	DESCRIPTION	REV.
30	Not Required	A/R	Pad, Rubber Options:	
	3340859	0	Prior to S/N 0300057118	
	3340940	2	S/N 0300057118 to S/N 0300074608	
	3340939	2	S/N 0300074608 to S/N 0300135622	
		2	S/N 0300135622 to Present	
31	0630401	2	Bolt, Carriage 5/16in-18NC x 2in (S/N 0300057118 to Present)	
32	3311505	2	Locknut 5/16in-18NC (S/N 0300057118 to Present)	
33	4711500	2	Flatwasher 5/16in Narrow (S/N 0300057118 to Present)	
34		6	Screw, Countersunk 3/8in-16NC Options:	
	0741608		Screw, Countersunk 3/8in-16NC x 1in	
	0741606		Screw, Countersunk 3/8in-16NC x 3/4in	
35	4060804	15in/38cm	Flex-Trim	
36	0100081	A/R	Adhesive	

FIGURE 3-5. E/M400AJP MAIN BOOM ASSEMBLY (CONTINUED)

ITEM #	PART NUMBER	QTY.	DESCRIPTION	REV.

SECTION 3 BOOM

FIGURE 3-6. E/M400AJP JIB AND PLATFORM SUPPORT & ROTATOR INSTALLATION

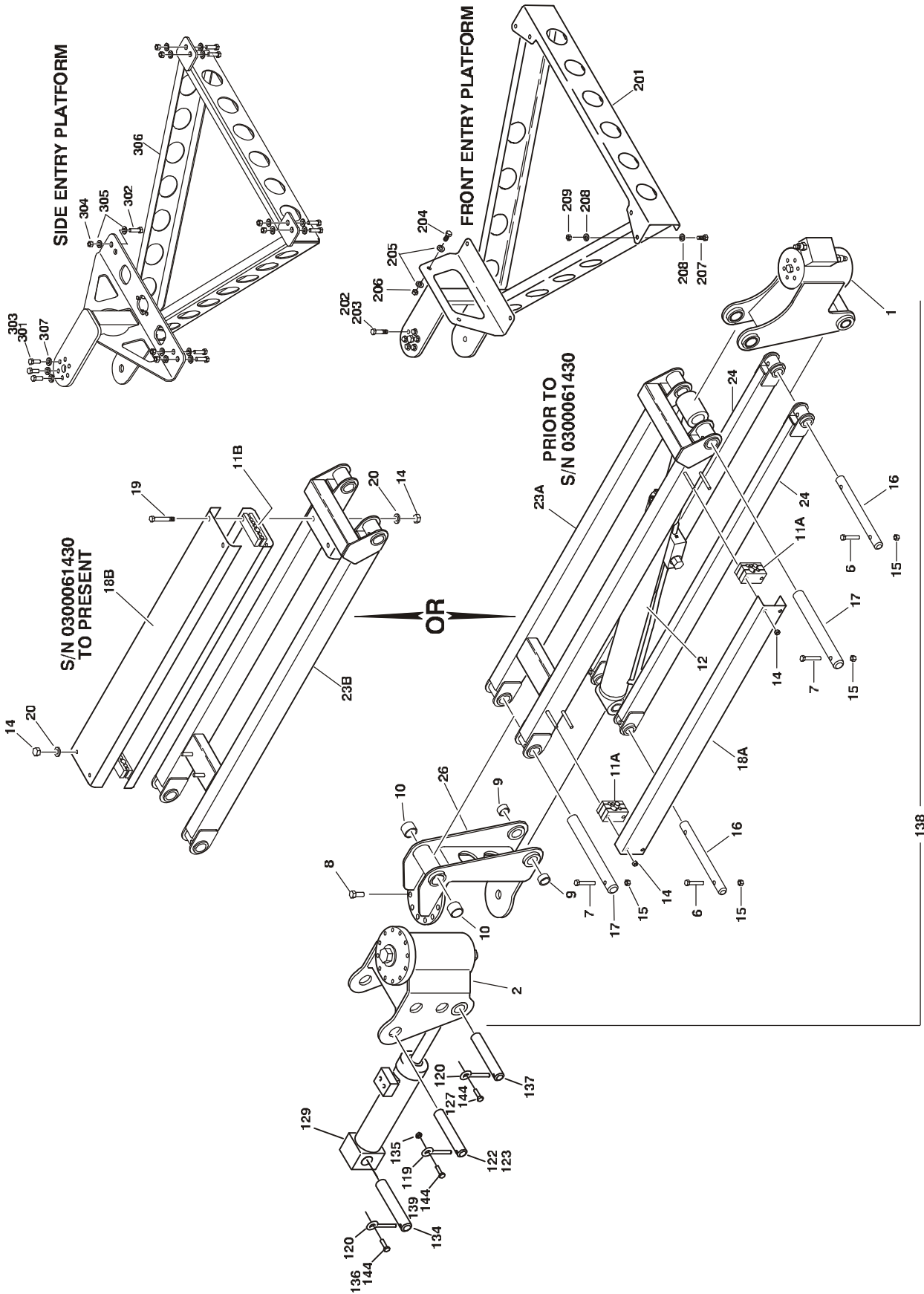


FIGURE 3-6. E/M400AJP JIB AND PLATFORM SUPPORT & ROTATOR INSTALLATION

ITEM #	PART NUMBER	QTY.	DESCRIPTION	REV.
		Ref.	JIB ASSEMBLIES	
	0259441	Ref.	E/M400AJP (Prior to S/N 0300061430)	E
	0270402	Ref.	E/M400AJP (S/N 0300061430 to S/N 0300064958)	C
	0271649	Ref.	E/M400AJP (S/N03000 64958 to Present)	C
1	0060044	1	Rotator Assembly (Jib to Platform Support) (See Figure 3-7 for Breakdown)	
2		1	Rotator Assembly (Main Boom to Jib) Options (See Figure 3-7 for Breakdown):	
	0060046		E/M400AJP (Prior to S/N 0300064958)	
	0060065		E/M400AJP (S/N 0300064958 to Present)	
3 to 5	Not Used			
6	0641616	4	Bolt 3/8in-16NC x 2in	
7	0641618	2	Bolt 3/8in-16NC x 2-1/4in	
8		A/R	Bolt 1/2in Options:	
	0641810		E/M400AJP (Prior to S/N 0300064958)	
	3931816		E/M400AJP (S/N 0300064958 to Present)	
9		A/R	Bushing, Garmax Options:	
	0961947		Prior to S/N 0300144003	
	0962292		S/N 0300144003 to Present	
10	0961951	2	Bushing, Garmax	
11		A/R	Clamp, Block Options:	
11A	1320259	2	Prior to S/N 0300061430	
11B	3340860	4	S/N 0300061430 to Present	
12	1683779	1	Jib Cylinder Assembly (See Section 5 for Breakdown)	
13	Not Used			
14	3311501	A/R	Nut 5/16in-18NC	
15	3311605	12	Locknut 3/8in-16NC	
16	3422791	2	Pin	
17	3422794	2	Pin	
18		A/R	Plate, Jib Cover Options:	
18A	3571406	1	Prior to S/N 0300061430	
18B	3572551	2	S/N 0300061430 to Present	
19	0641516	2	Bolt 5/16in-18NC x 2in (S/N 0300061430 to Present Only)	
20	4751500	4	Flatwasher 3/8in Wide (S/N 0300061430 to Present Only)	
21 to 22	Not Used			
23		1	Link Options: (Upper)	
23A	4845926		Prior to S/N 0300061430	
23B	4846278		S/N 0300061430 to Present	
24	Use 1001094670	2	Link (Lower) (was p/n 4845927)	
25	Not Used			
26		1	Pivot Options:	
	4846073		E/M400AJP (Prior to S/N 0300064958)	
	4846502		E/M400AJP (S/N 0300064958 to Present)	

SECTION 3 BOOM

FIGURE 3-6. E/M400AJP JIB AND PLATFORM SUPPORT & ROTATOR INSTALLATION

ITEM #	PART NUMBER	QTY.	DESCRIPTION	REV.
		Ref.	SUPPORT & ROTATOR ASSEMBLY	
	0259939	Ref.	E/M400AJP (Prior to S/N 0300064958)	4
	0271647	Ref.	E/M400AJP (S/N 0300064958 to Present)	D
101 to 118	Not Used			
119	3841203	1	Keeper, Pin	
120	3841143	2	Keeper, Pin	
121	Not Used			
122	3422814	1	Pin	
123	3020022	A/R	Grease	
124 to 126	Not Used			
127	0641610	1	Bolt 3/8in-16NC x 1-1/4in	
128	Not Used			
129		1	Platform Level Cylinder Assembly Options (See Section 5 for Breakdown):	
	Use 1001140279		Prior to S/N 0300163453 (was p/n 1683924)	
	1001140279		S/N 0300163453 to Present	
130 to 133	Not Used			
134	3422669	1	Pin	
135	3311805	1	Locknut 1/2in-13NC	
136	0641607	1	Bolt 3/8in-16NC x 7/8in	
137	3422792	1	Pin	
138		1	Jib Assembly Options (Includes Items 1-27):	
	0259441		E/M400AJP (Prior to S/N 0300061430)	
	0270402		E/M400AJP (S/N 0300061430 to S/N 0300064958)	
	0271649		E/M400AJP (S/N 0300064958 to Present)	
139		1	Bolt Options:	
	0641809		Bolt 1/2in-13NC x 1-1/8in (Prior to S/N 0300093848)	
	0641810		Bolt 1/2in-13NC x 1-1/4in (S/N 0300093848 to Present)	
140 to 143	Not Used			
144	0100011	A/R	Compound, Locking	
		Ref.	PLATFORM ROTATOR AND SUPPORT INSTALLATION (FRONT ENTRY PLATFORM)	
	0259439	Ref.	E/M400AJP Models (Australian Spec)	E
	0270702	Ref.	E/M400AJP Models (CE Spec) (Prior to S/N 0300063775)	2/B
	0259439	Ref.	E/M400AJP Models (CE/Australian Specs) (S/N 0300063775 to Present)	E
201	4846322	1	Weldment, Support	
202	0681608	6	Bolt 3/8in-16NC x 1in (Grade 8)	
203	0100011	A/R	Compound, Locking	
204	0641407	2	Bolt 1/4in-20NC x 7/8in	
205	4740362	4	Washer, Fender	
206	3311405	2	Nut 1/4in-20NC	
207	0641610	6	Bolt 3/8in-16NC x 1-1/4in	
208	4711600	18	Flatwasher	
209	3311605	6	Locknut 3/8in-16NC	

SECTION 3 BOOM

FIGURE 3-6. E/M400AJP JIB AND PLATFORM SUPPORT & ROTATOR INSTALLATION

ITEM #	PART NUMBER	QTY.	DESCRIPTION	REV.
		Ref.	PLATFORM ROTATOR AND SUPPORT INSTALLATION (SIDE ENTRY PLATFORM)	
	0272976	Ref.	E/M400AJP without Load Sensing	A
	See Note	Ref.	E/M400AJP with Load Sensing (Note: Refer to JLG Supplement p/n 3124287 for Components)	
301	0100011	A/R	Compound, Locking	
302	0641610	8	Bolt 3/8in-16NC x 1-1/4in	
303	0681608	6	Bolt 3/8in-16NC x 1in (Grade 8)	
304	3311605	8	Locknut 3/8in-16NC	
305	4711600	16	Flatwasher 3/8in	
306	4846608	1	Weldment, Support Options:	
	See Note Above		E/M400AJP without Load Sensing	
			E/M400AJP with Load Sensing	
307	4891600	6	Flatwasher 3/8in Hardened	

SECTION 3 BOOM

FIGURE 3-7. ROTATOR ASSEMBLY

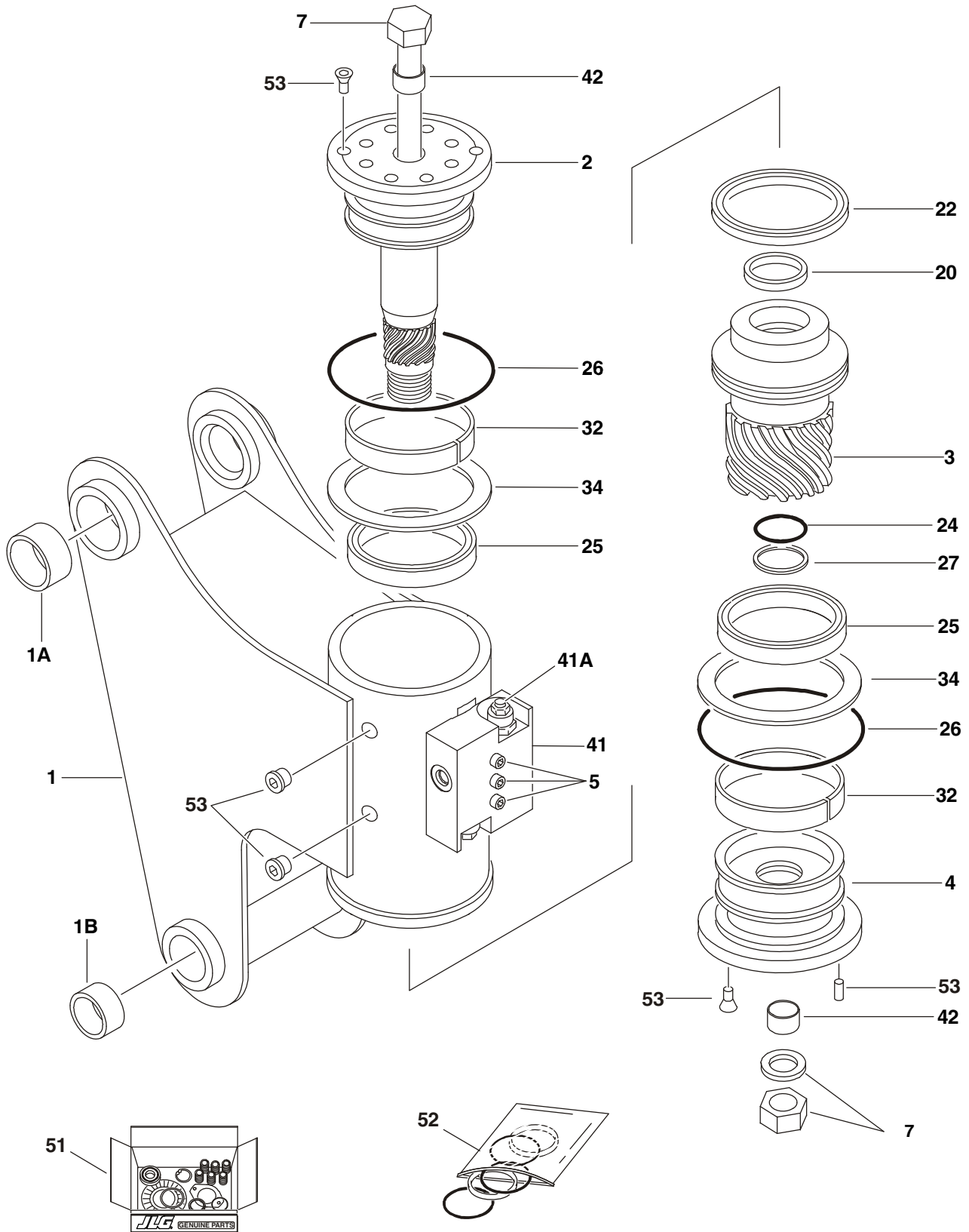


FIGURE 3-7. ROTATOR ASSEMBLY

ITEM #	PART NUMBER	QTY.	DESCRIPTION	REV.
		Ref.	ROTATOR ASSEMBLIES	
	0060052	Ref.	E/M450A & E/M400A	F
	0060044	Ref.	E/M450AJ	D
	0060044	Ref.	E/M400AJP (Platform Support to Jib)	D
	0060046	Ref.	E/M400AJP Prior to S/N 0300064958 (Main Boom to Jib)	C
	0060065	Ref.	E/M400AJP S/N 0300064958 to Present (Main Boom to Jib)	C
		Ref.	Note: There are 2 different versions each of Rotators p/n 0060044 & 0060052. No s/n break exists. Order parts by the Helac Control #.	
1	See Note	1	Case/Bracket Weldment (Note: Purchase Complete Assembly)	
1A	0962257	2	Bushing, Garmax (0060044 Rotator Only)	
1B	0961947	2	Bushing, Garmax (0060044 Rotator Only)	
2		1	Shaft Options:	
	7017120		0060052 Rotators with Helac Control #26409	
	7017196		0060052 Rotators with Helac Control #26966	
	7017120		0060044 Rotators with Helac Control #25928	
	7017196		0060044 Rotators with Helac Control #26962	
	7017130		0060046 Rotator	
	7017167		0060065 Rotator	
3		1	Piston Sleeve Options:	
	7017121		0060052 Rotators with Helac Control #26409	
	7027900		0060052 Rotators with Helac Control #26966	
	7017121		0060044 Rotators with Helac Control #25928	
	7027900		0060044 Rotators with Helac Control #26962	
	7017131		0060046 Rotator	
	7017168		0060065 Rotator	
4		1	Cap, End Options:	
	7017153		0060052 Rotators with Helac Control #26409	
	7027901		0060052 Rotators with Helac Control #26966	
	Use 0060044		0060044 Rotators with Helac Control #25928 (Note: Not Available for Purchase)	
	7027901		0060044 Rotators with Helac Control #26962	
	Use 0060046		0060046 Rotator (Note: Not Available for Purchase)	
	7017169		0060065 Rotator	
5	See Note	3	Capscrew 1/4in-20NC (Grade 8) (Note: Not Available - Purchase Locally)	
6	Not Used			
7		1	Tie Rod Assembly Options:	
	7017126		0060044 & 0060052 Rotators	
	7017135		0060046 Rotator	
	7017173		0060065 Rotator	
8 to 19	Not Used			
20	See Note	1	Seal, Rod (Note: Use Items 100A-102B)	
21	Not Used			
22	See Note	1	Seal, Piston (Note: Use Items 100A-102B)	
23	Not Used			
24	See Note	1	Seal, Cap (Note: Use Items 100A-102B)	
25	See Note	2	Packing, Bearing (Note: Use Items 100A-102B)	

SECTION 3 BOOM

FIGURE 3-7. ROTATOR ASSEMBLY (CONTINUED)

ITEM #	PART NUMBER	QTY.	DESCRIPTION	REV.
26	See Note	2	Seal (Note: Use Items 100A-102B)	
27	See Note	1	Ring, Back-Up Cap (Note: Use Items 100A-102B)	
28 to 31	Not Used			
32	See Note	2	Bearing, Shaft (Note: See Item 51)	
33	Not Used			
34	See Note	2	Washer, Thrust (Note: See Item 51)	
35 to 40	Not Used			
41	Use 7017172	1	Counterbalance Valve Assembly Options: Helac p/n 24327 Stamped beside Mounting Screws (was p/n 7017125)	
	7017172		Helac p/n 26553 or 26554 Stamped beside Mounting Screws	
41A		A/R	Valve, Cartridge Options:	
	7011323	2	Valve, Cartridge for Helac p/n 24327 Valve	
	2900770	2	Seal Kit - 7011323 Cartridge (1 Per Assembly)	
	7017192	2	Valve, Cartridge Helac p/n 26553 & 26554 (No Seal Kit Available)	
42	See Note	2	Bushing, Shaft (Note: Not Available for Purchase)	
43 to 50	Not Used			
51		1	Bearing Kit Options (Includes Items 32 - 34):	
	7017122		0060044 & 0060052 Rotators	
	7017134		0060046 Rotator	
	7017178		0060065 Rotator	
52		1	Seal Kit Options (Includes Items 20,22,24,25,26 & 27):	
			0060044 & 0060052 Rotators Options:	
	7017127		Standard	
	70000341		Low Temperature	
			0060046 Rotator Options:	
	7017165		Standard (was p/n 7017133)	
	See Note		Low Temperature (Note: Not Available for Purchase)	
			0060065 Rotator Options:	
	7017165		Standard	
	70000340		Low Temperature	
53		1	Hardware Kit Options:	
	7017123		0060044 & 0060052 Rotators	
	7017132		0060046 Rotator	
	7017179		0060065 Rotator	

FIGURE 3-7. ROTATOR ASSEMBLY (CONTINUED)

ITEM #	PART NUMBER	QTY.	DESCRIPTION	REV.

SECTION 3 BOOM

FIGURE 3-8. CABLES/CLAMPS & LIMIT SWITCHES INSTALLATIONS

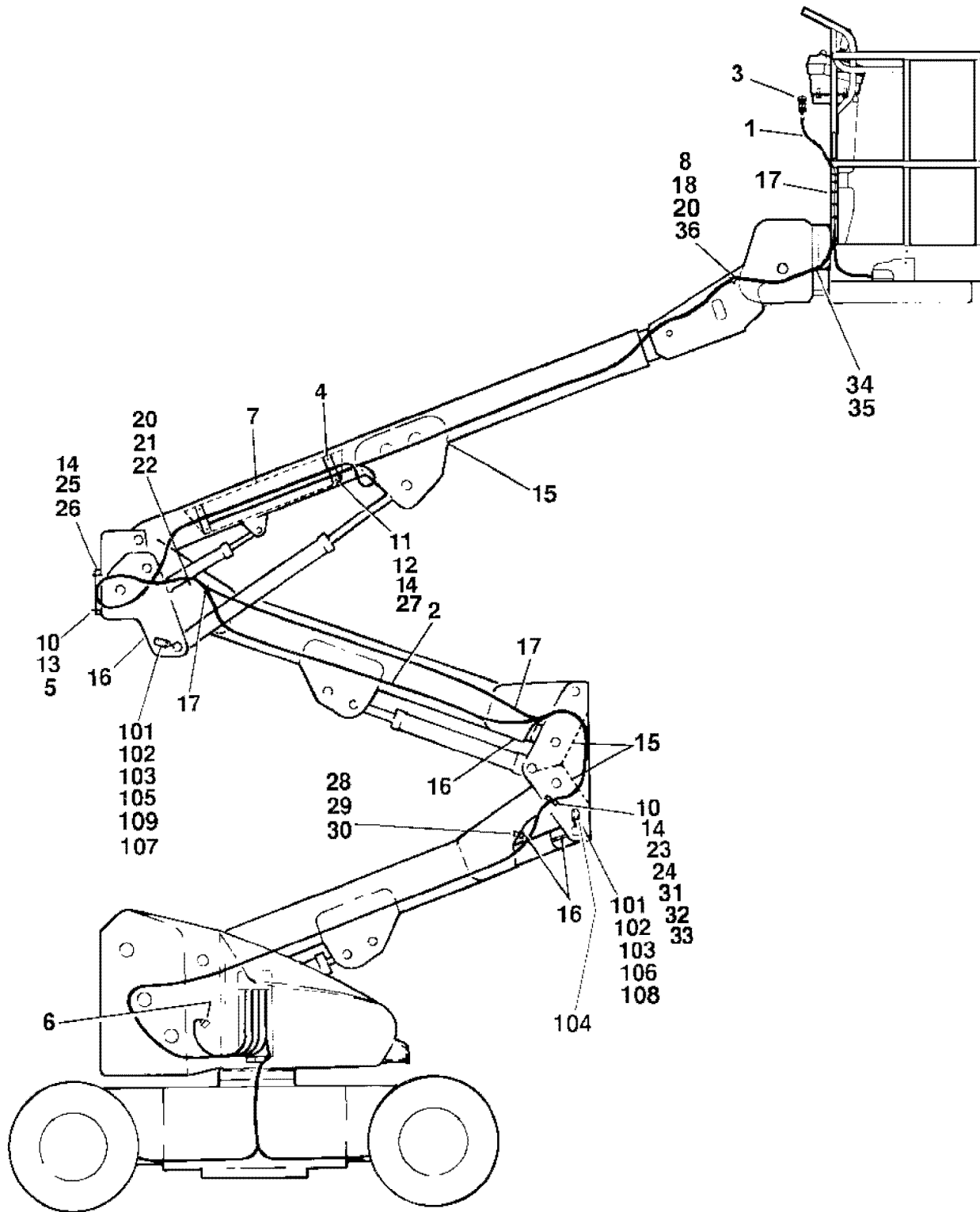


FIGURE 3-8. CABLES/CLAMPS & LIMIT SWITCHES INSTALLATIONS

ITEM #	PART NUMBER	QTY.	DESCRIPTION	REV.
		Ref.	CABLES AND CLAMPS INSTALLATION	
	0257735	Ref.	E/M450A	8/G
	0259367	Ref.	E/M450AJ	4/D
	0270817	Ref.	E/M400A	4/B
	0259970	Ref.	E/M400AJP	5/C
1		1	Harness Assembly - Upper Boom Options (See Section 7 for Breakdown):	
	4922178		E/M450A Models	
	4922552		E/M450AJ Models	
	4922496		E/M400A Models	
	4922364		E/M400AJP Models (Prior to S/N 0300071419)	
	4922496		E/M400AJP Models (S/N 0300071419 to Present)	
2		1	Harness Assembly - Lower Boom Options (See Section 7 for Breakdown):	
	4922179		E/M450 Models	
	4922495		E/M400A Models (Prior to S/N 0300071418)	
	4922363		E/M400A Models (S/N 0300071418 to Present)	
	4922363		E/M400AJP Models	
3	4460754	1	Connector	
4	1320260	2	Block, Hose Clamp	
5	0561317	1	Block, Hose Clamp	
6	4460753	1	Connector	
7		1	Shield Options:	
	3536999		E/M450A & E/M400A Models	
	3571462		E/M450AJ & E/M400AJP Models	
8		1	Cover, Clamp Options:	
	1320195		E/M450A Models Prior to S/N 0300060132	
	Not Required		E/M450A Models S/N 0300060132 to Present	
	Not Required		E/M400A, E/M450AJ & E/M400AJP Models	
9	Not Used			
10	4751500	5	Flatwasher 5/16in	
11	4751400	12	Flatwasher 1/4in	
12	3311401	6	Nut 1/4in-20NC	
13	0641514	3	Bolt 5/16in-18NC x 1-3/4in	
14	0100011	A/R	Compound, Locking	
15	4060805	A/R	Trim 1/4in	
16	4060808	8ft/2.4m	Trim 1/2in	
17	4240099	26	Tie-Strap	
18	0641516	A/R	Bolt 5/16in-18NC x 2in	
19	Not Used			
20	3311505	2	Locknut 5/16in-18NC	
21	4566243	1	Roller	
22	0641560	1	Bolt 5/16in-18NC x 7-1/2in	
23	4300140	2	Stud, Weld 5/16in-18NC x 3-5/8in	
24		1	Hose Clamp Block Options:	
	0561384		E/M450A Models	
	0561359		E/M450AJ Models	
	0561384		E/M400A & E/M400AJP Models	

SECTION 3 BOOM

FIGURE 3-8. CABLES/CLAMPS & LIMIT SWITCHES INSTALLATIONS (CONTINUED)

ITEM #	PART NUMBER	QTY.	DESCRIPTION	REV.
25	1670697	1	Cover, Hose	
26	0630467	4	Capscrew, Button 5/16in-18NC x 1/2in	
27	3300151	6	Nut, Acorn 1/4in - 20NC	
28	1320040	1	Clamp, Cable	
29	0641410	1	Bolt 1/4in-20NC x 1-1/4in	
30	3311405	1	Locknut 1/4in-20NC	
31		1	Hose Clamp Block Options:	
	0561360		E/M450 Models	
	0561385		E/M400 Models	
32		1	Hose Clamp Block Options:	
	0561361		E/M450 Models	
	0561386		E/M400 Models	
33	0100019	A/R	Compound, Locking	
34		A/R	Clamp Options:	
	Not Required	0	E/M450A Models	
	1320095	1	E/M450AJ Models	
	Not Required	0	E/M400 Models	
35		A/R	Sleeve	
	4100065	1	E/M400AJP Models	
	4100065	1	E/M450A & E/M400A Models (Prior to S/N 0300070932)	
	4100067	2	E/M400AJP Models	
	4100067	0	E/M450AJ Models	
36		1	Clamp Options:	
	1320199		E/M450A Models Prior to S/N 0300060132	
	0561424		E/M450A Models S/N 0300060132 to Present	
	Not Required		E/M450AJ & E/M400AJP Models	
	0561424		E/M400A Models	
		Ref.	LIMIT SWITCHES INSTALLATION	
	0254875	Ref.	E/M450 Models (Prior to S/N 0300063768)	5
	0271493	Ref.	E/M450 Models (S/N 0300063768 to Present)	2
	0254875	Ref.	E/M400A Models (Prior to S/N 0300063768)	5
	0253704	Ref.	E/M400AJP Models (Prior to S/N 0300063768)	6
	0271494	Ref.	All E/M400 Models (S/N 0300063768 to Present)	2
101		2	Switch, Limit Options:	
	4360321		Prior to S/N 0300074300	
	4360548		S/N 0300074300 to Present	
102		2	Connector, Strain Relief Options:	
	4460428		Use with 4360321 Limit Switch	
	4460968		Use with 4360548 Limit Switch	
103	3311005	4	Locknut #10-24NC	
104		A/R	Harness (Lower) Options:	
	1060341	A/R	(Prior to S/N 0300063768)	
	4922614	1	(S/N 0300063768 to Present)	
105		2	Screw Options:	
	3900246		Screw, Filister Head #10-24NC x 1-3/4in (Prior to S/N 0300070080)	
	3931028		Screw #10-24NC x 1-3/4in (S/N 0300070080 to Present)	
106	3900104	2	Screw, Filister Head #10-24NC x 2-1/4in	

FIGURE 3-8. CABLES/CLAMPS & LIMIT SWITCHES INSTALLATIONS (CONTINUED)

ITEM #	PART NUMBER	QTY.	DESCRIPTION	REV.
107		A/R	Harness (Upper) Options:	
	1060341	A/R	(Prior to S/N 0300063768)	
	4922613	1	E/M450 Models (S/N 0300063768 to Present)	
	4922615	1	E/M400 Models (S/N 0300063768 to Present)	
108	1670832	1	Cover, Switch Lower	
109	1670833	1	Cover, Switch Upper	

SECTION 3 BOOM

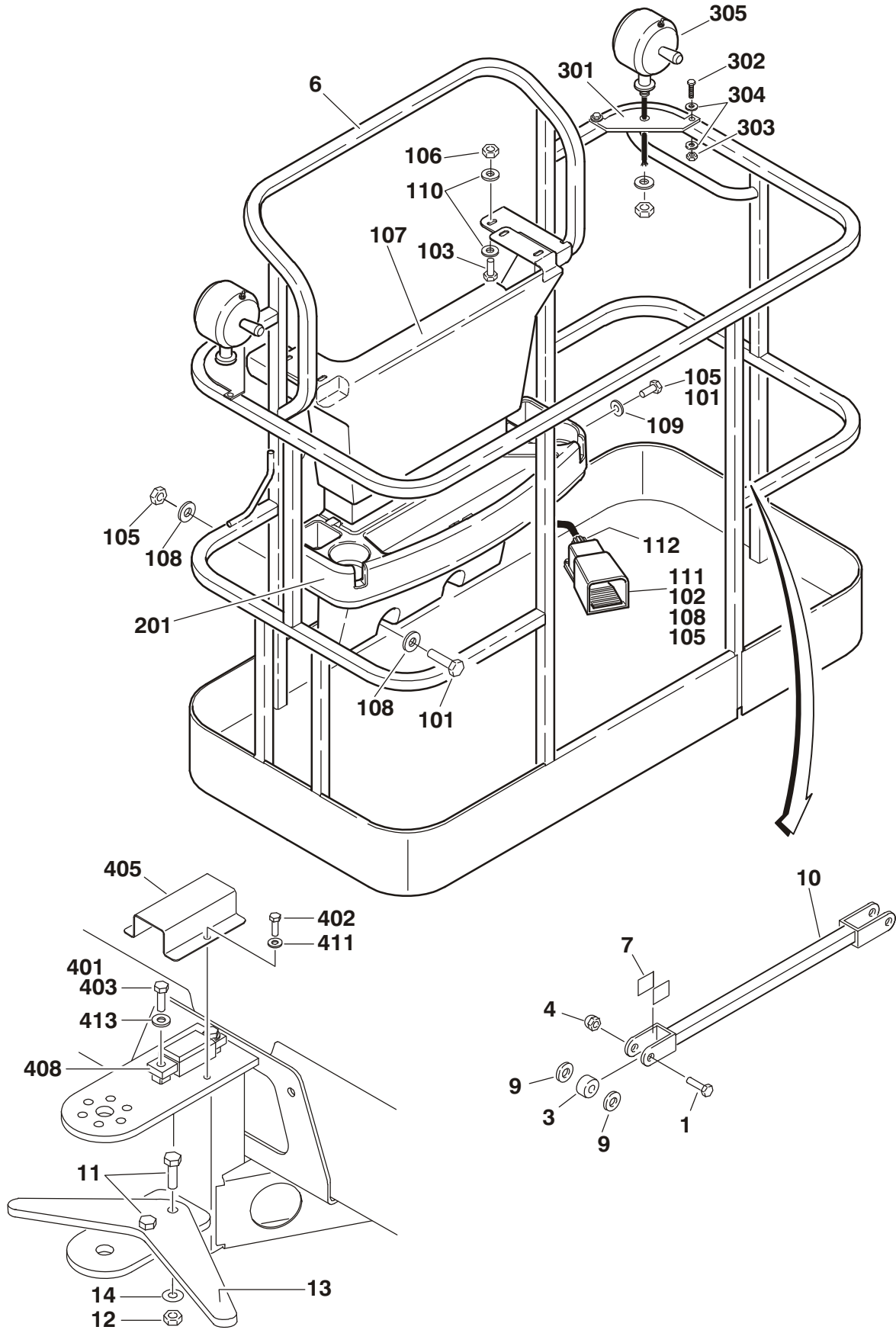
FIGURE 3-8. CABLES/CLAMPS & LIMIT SWITCHES INSTALLATIONS (CONTINUED)

ITEM #	PART NUMBER	QTY.	DESCRIPTION	REV.

SECTION 4 PLATFORM

SECTION 4 PLATFORM

FIGURE 4-1. PLATFORM COMPONENTS INSTALLATION (FRONT ENTRY PLATFORM)



SECTION 4 PLATFORM

FIGURE 4-1. PLATFORM COMPONENTS INSTALLATION (FRONT ENTRY PLATFORM)

ITEM #	PART NUMBER	QTY.	DESCRIPTION	REV.
		Ref.	PLATFORM INSTALLATIONS WITH LIFT GATE	
	3510696	Ref.	4ft/1.22m Width	B
	3510695	Ref.	5ft/1.52m Width (Without Stop)	B
	0270408	Ref.	5ft/1.52m Width (With Stop)	C
		Ref.	Note: Replacement Decals Must be Ordered Separately - See Section 8.	
1	0641418	2	Bolt 1/4in-20NC x 2-1/4in (Grade 8)	
2	Not Used			
3	0961845	2	Bushing	
4	3300151	2	Nut Acorn 1/4in-20NC	
5	Not Used			
6		1	Platform Options (Purchase Complete Platform):	
	3510696		4ft/1.22m Width	
	3510695		5ft/1.52m Width (Without Stops)	
	0270408		5ft/1.52m Width (With Stops)	
7	4420055	4in/10cm	Tape	
8	Not Used			
9	4740411	4	Washer, Nylon	
10	4845288	1	Slide Bar Weldment	
11	0641609	2	Bolt 3/8in-16NC x 1-1/8in (Platform with Stop Only)	
12	3311605	2	Locknut 3/8in-16NC (Platform with Stop Only)	
13		1	Stop Options (Platform with Stop Only):	
	4846276		Prior to S/N 0300072144	
	3572413		S/N 0300072144 to Present	
14	4711600	4	Flatwasher 3/8in Narrow (Platform with Stop Only)	
		Ref.	CONSOLE BOX INSTALLATIONS & ASSEMBLIES	
	0861176	Ref.	E/M450 Models (Prior to S/N 0300068945)	10/G
	0272082	Ref.	E/M450 Models (S/N 0300068945 to Present)	A
	0861176	Ref.	E/M400A Models (Prior to S/N 0300068945)	10/G
	0272082	Ref.	E/M400A Models (S/N 0300068945 to Present)	A
	0861314	Ref.	E/M400AJP Models (Prior to S/N 0300068945)	4/D
	0272106	Ref.	E/M400AJP Models (S/N 0300068945 to Present)	A
101	0641406	4	Bolt 1/4in-20NC x 3/4in	
102	0641408	3	Bolt 1/4in-20NC x 1in	
103	0641610	4	Bolt 3/8in-16NC x 1-1/4in	
104		1	Console Box Assembly Options: (Not Shown - See Figure 4-6 for Breakdown)	
	0861529		E/M450 & E/M400A Models	
	0861532		E/M400AJP Models	
105	3311405	7	Locknut 1/4in-20NC	
106	3311605	4	Locknut 3/8in-16NC	
107	3380434	1	Panel, Decal Mount	
108	4740362	7	Washer, Fender 1/4in	
109	4751400	4	Washer 1/4in (Wide)	
110	4751600	8	Washer 3/8in (Wide)	

SECTION 4 PLATFORM

FIGURE 4-1. PLATFORM COMPONENTS INSTALLATION (FRONT ENTRY PLATFORM)

ITEM #	PART NUMBER	QTY.	DESCRIPTION	REV.
111	4360031	1	Footswitch	
	7000625	2	Block, Contact	
	3252347	1	Nameplate (Note: See Section 8 for Other Languages)	
112	4460071	1	Connector, Strain Relief	
		Ref.	TRAY INSTALLATIONS (OPTIONAL)	
201	1580012	1	Tray, Storage (Center)	
202	1580013	1	Tray, Storage (Rail Mounted - Not Shown)	
	0259338	Ref.	WORKLIGHTS INSTALLATION (OPTIONAL)	1/A
301	3536089	2	Plate, Mounting	
302	0641414	4	Bolt 1/4in-20NC x 1-3/4in	
303	3311405	4	Locknut 1/4in-20NC	
304	4711400	8	Flatwasher 1/4in Narrow	
305	2920095	2	Worklight	
	7016356	2	Bulb, Replacement (1 Per Assembly)	
306	4240099	10	Tie-Strap (Not Shown)	
307	2820035	9	Loom, Vinyl (Not Shown)	
308	Not Used			
309	4460428	1	Connector, Strain Relief (Not Shown - Located at Console Box)	
		Ref.	PLATFORM LOAD SENSING INSTALLATION (OPTIONAL)	
	0259358	Ref.	CE Spec	D
	0271489	Ref.	CE Spec (Lift Down)	B
401	0100011	AR	Compound, Locking	
402	0641404	2	Bolt 1/4in-20NC x 1/2in	
403	0701010	2	Bolt, Metric 10mm x 20mm	
404	Not Used			
405	1670905	1	Cover, Cell	
406 to 407	Not Used			
408	3990108	1	Cell, Load	
409 to 410	Not Used			
411	4711400	2	Flatwasher 1/4in Narrow	
412	Not Used			
413	4812000	2	Lockwasher 7/16in	

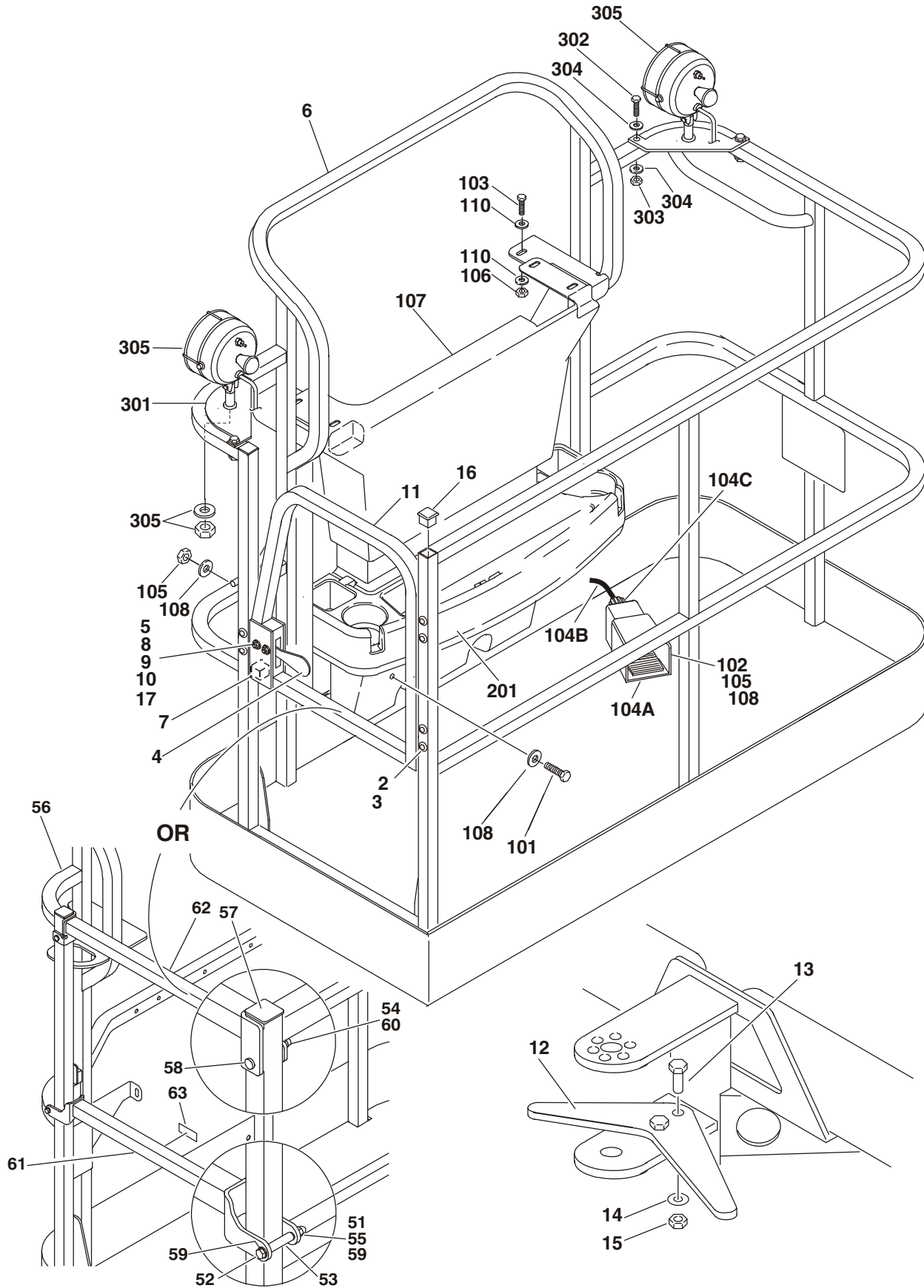
SECTION 4 PLATFORM

FIGURE 4-1. PLATFORM COMPONENTS INSTALLATION (FRONT ENTRY PLATFORM)

ITEM #	PART NUMBER	QTY.	DESCRIPTION	REV.

SECTION 4 PLATFORM

FIGURE 4-2. PLATFORM COMPONENTS INSTALLATION (SIDE ENTRY PLATFORM)



SECTION 4 PLATFORM

FIGURE 4-2. PLATFORM COMPONENTS INSTALLATION (SIDE ENTRY PLATFORM)

ITEM #	PART NUMBER	QTY.	DESCRIPTION	REV.
		Ref.	PLATFORM ASSEMBLY WITH GATE	
		Ref.	Prior to S/N 0300163749	
	Use 1001144026	Ref.	5ft (1.52m) with No Mesh & No Stop (E/M400A& E/M450A/AJ) (was p/n 3510831)	B/L
	3510844	Ref.	5ft (1.52m) with No Mesh and With Stop (E/M400AJP Only)	D
	Use 1001144027	Ref.	4ft (1.22m) with No Mesh and No Stop (was p/n 3510830)	B/M
		Ref.	S/N 0300163749 to Present	
	1001144026	Ref.	5ft (1.52m) with No Mesh & No Stop (E/M400A& E/M450A/AJ)	B
	3510844	Ref.	5ft (1.52m) with No Mesh and With Stop (E/M400AJP Only)	E
	1001144027	Ref.	4ft (1.22m) with No Mesh and No Stop	B
		Ref.	Note: Platform and Mesh must be ordered separately for Platforms with Mesh. See Section 10 for Mesh Installations.	
		Ref.	Note: Replacement Decals Must be Ordered Separately - See Section 8.	
1	0100040	A/R	Sealant, Adhesive (Not Shown) (Prior to S/N 0300103057)	
2	2080040	16	Fastener, Huck	
3	2600281	2	Hinge, Self-Closing	
4	2940074	1	Latch	
5	3311001	4	Nut #10-24NC (Prior to S/N 0300077390 - Platform with No Stop Only)	
6	See Note	1	Platform Weldment (Purchase Platform Assembly) (Note: Not Available - Purchase Platform Assembly)	
7	3520072	1	Cap-Plug	
8		4	Hardware Options:	
			Platform with No Stop:	
	3911008		Screw #10-24NC x 1in (Prior to S/N 0300077390)	
	3820020		Pop Rivet (S/N 0300077390 to Present)	
			Platform with Stop:	
	3911008		Screw #10-24NC x 1in1	
9	4751000	A/R	Flatwasher #10 (Prior to S/N 0300077390 - Platform with No Stop Only)	
10	4761000	A/R	Lockwasher #10 (Prior to S/N 0300077390 - Platform with No Stop Only)	
11		1	Gate Weldment Options:	
	4846452		Prior to S/N 0300163749	
	1001144629		S/N 0300163749 to Present	
12	3572413	1	Stop (Platform with Stop Only)	
13	0641610	2	Bolt 3/8in-16NC x 1-1/4in (Platform with Stop Only)	
14	4711600	4	Flatwasher 3/8in Narrow (Platform with Stop Only)	
15	3311605	2	Locknut 3/8in-16NC (Platform with Stop Only)	
16	3520198	2	Cap-Plug	
17	0100011	A/R	Compound, Locking (Prior to S/N 0300077390 - Platform with No Stop Only)	

SECTION 4 PLATFORM

FIGURE 4-2. PLATFORM COMPONENTS INSTALLATION (SIDE ENTRY PLATFORM)

ITEM #	PART NUMBER	QTY.	DESCRIPTION	REV.
		Ref.	PLATFORM ASSEMBLY WITH DROP-BAR	
		Ref.	Prior to S/N 0300163749	
	Use 1001144018	Ref.	4ft x 2.5ft (1.2m x .76m) (was p/n 1001138431)	B/B
	Use 1001144019	Ref.	5ft x 2.5ft (1.5m x .76m) (E/M400A& E/M450A/AJ) (was p/n 1001138432)	B/B
		Ref.	S/N 0300163749 to Present	
	1001144018	Ref.	4ft x 2.5ft (1.2m x .76m)	B
	1001144019	Ref.	5ft x 2.5ft (1.5m x .76m) (E/M400A& E/M450A/AJ)	B
		Ref.	Note: Replacement Decals Must Be Ordered Separately - See Section 8.	
51	0100011	A/R	Compound, Locking	
52	0641418	2	Bolt 1/4in-20NC x 2-1/4in	
53	0961845	2	Bushing	
54	3290606	2	Nut M6	
55	3300151	2	Nut, Acorn	
56	See Note	1	Platform Weldment (Note: Purchase Platform Assembly.)	
57	3520198	2	Cap-Plug	
58	4010618	2	Screw M6 x 50mm	
59	4711400	4	Flatwasher 1/4in	
60	4811700	2	Flatwasher M6	
61	1001138494	1	Bar, Drop	
62	1001138514	1	Rail (Top)	
63	1001140429	1	Decal - Drop-Bar	
		Ref.	CONSOLE BOX INSTALLATIONS & ASSEMBLIES	
	Use 1001146082	Ref.	E/M450 Models (was p/n 0272082)	A/B
	Use 1001146082	Ref.	E/M400A Models (was p/n 0272082)	A/B
	Use 1001145801	Ref.	E/M400AJP Models (was p/n 0272106)	A/B
101	0641406	4	Bolt 1/4in-20NC x 3/4in	
102	0641408	3	Bolt 1/4in-20NC x 1in	
103	0641610	4	Bolt 3/8in-16NC x 1-1/4in	
104		1	Console Box Assembly Options: (Not Shown - See Figure 4-6 for Breakdown)	
	Use 1001146083		E/M450 & E/M400A Models (was p/n 0861529)	
	Use 1001145799		E/M400AJP Models (was p/n 0861532)	
104A		1	Footswitch Assembly Options:	
	0272971		Prior to S/N 0300167691	
	1001136889		S/N 0300167691 to Present	
		1	Footswitch Options:	
	4360031	1	Footswitch (Prior to S/N 0300143940)	
	7000625	2	Block, Contact for 4360031 Footswitch	
	1001117320	1	Footswitch (S/N 0300143940 to S/N 0300167691)	
	70003483	1	Block, Contact for 1001117320 Footswitch	
	1001117172	1	Footswitch (S/N 0300167691 to Present)	
	70002902	1	Block, Contact for 1001117172 Footswitch	
	70002903	1	Gasket for 1001117172 Footswitch	
	70002905	1	Cover for 1001117172 Footswitch	
	70002904	1	Bolt Replacement Kit for 1001117172 Footswitch	

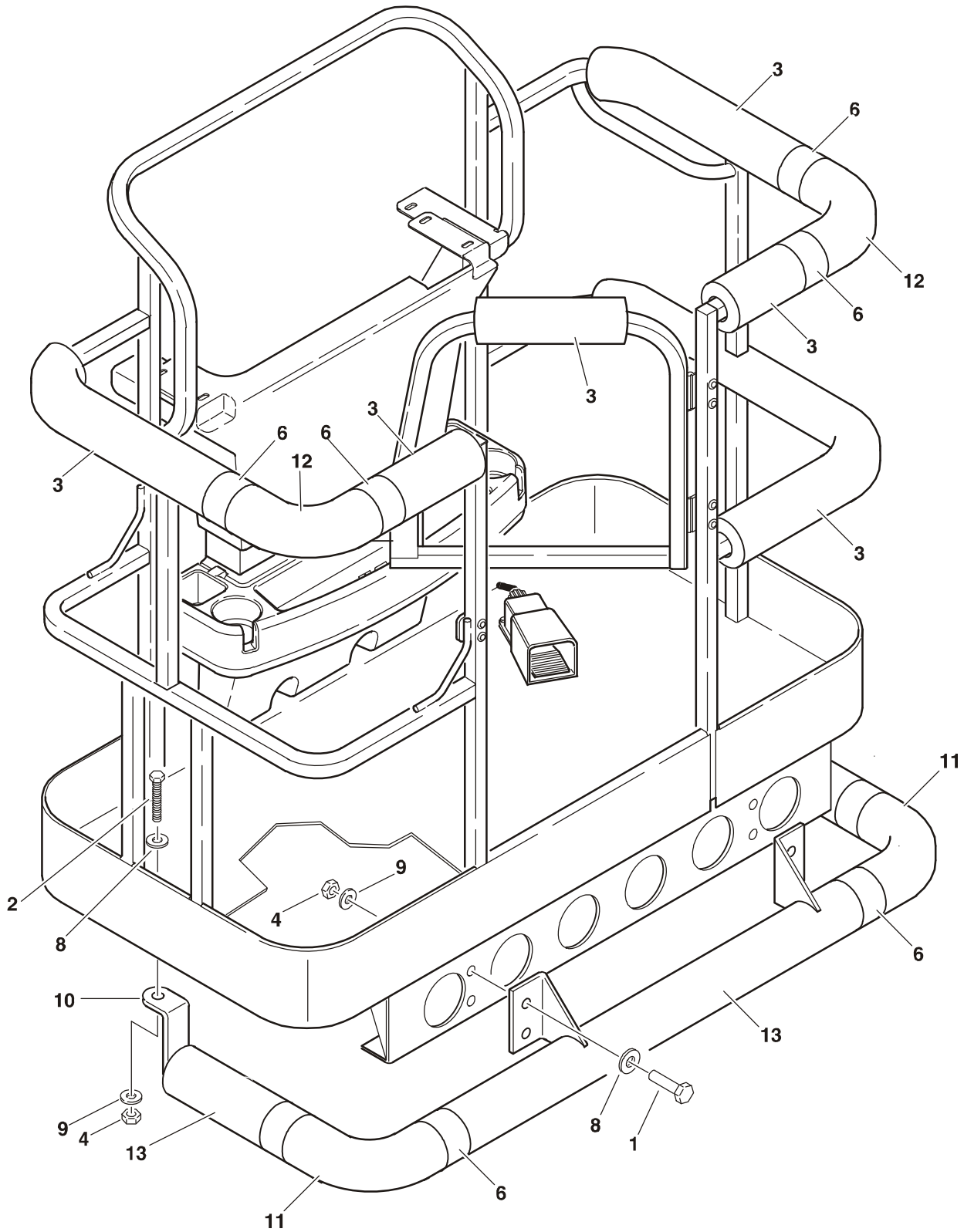
SECTION 4 PLATFORM

FIGURE 4-2. PLATFORM COMPONENTS INSTALLATION (SIDE ENTRY PLATFORM)

ITEM #	PART NUMBER	QTY.	DESCRIPTION	REV.
104B	1060330	7ft/2.14m	Cable, Electrical - 16/3	
104C	4460071	1	Connector, Strain Relief	
105	3311405	7	Locknut 1/4in-20NC	
106	3311605	4	Locknut 3/8in-16NC	
107	3380434	1	Panel, Decal Mount	
108	4740362	7	Washer, Fender 1/4in	
109	4751400	4	Flatwasher 1/4in (Wide)	
110	4751600	8	Flatwasher 3/8in (Wide)	
		Ref.	TRAY INSTALLATIONS (OPTIONAL)	
201	1580012	1	Tray, Storage (Center)	
202	1580013	1	Tray, Storage (Rail Mounted - Not Shown)	
	0259338	Ref.	WORKLIGHTS INSTALLATION (OPTIONAL)	C
301	3536089	2	Plate, Mounting	
302	0641414	4	Bolt 1/4in-20NC x 1-3/4in	
303	3311405	4	Locknut 1/4in-20NC	
304	4711400	8	Flatwasher 1/4in Narrow	
305	2920095	2	Worklight	
	7016356	2	Bulb, Replacement (1 Per Assembly)	
306	4240099	10	Tie-Strap (Not Shown)	
307	2820035	9	Loom, Vinyl (Not Shown)	
308	Not Used			
309	4460428	1	Connector, Strain Relief (Not Shown - Located at Console Box)	
310 to 311	Not Used			
312	4923061	1	Harness, Platform Work Lights (Not Shown)	
	4460464	1	Pin, Male	

SECTION 4 PLATFORM

FIGURE 4-3. PLATFORM PADDING INSTALLATION (FRONT ENTRY PLATFORM)



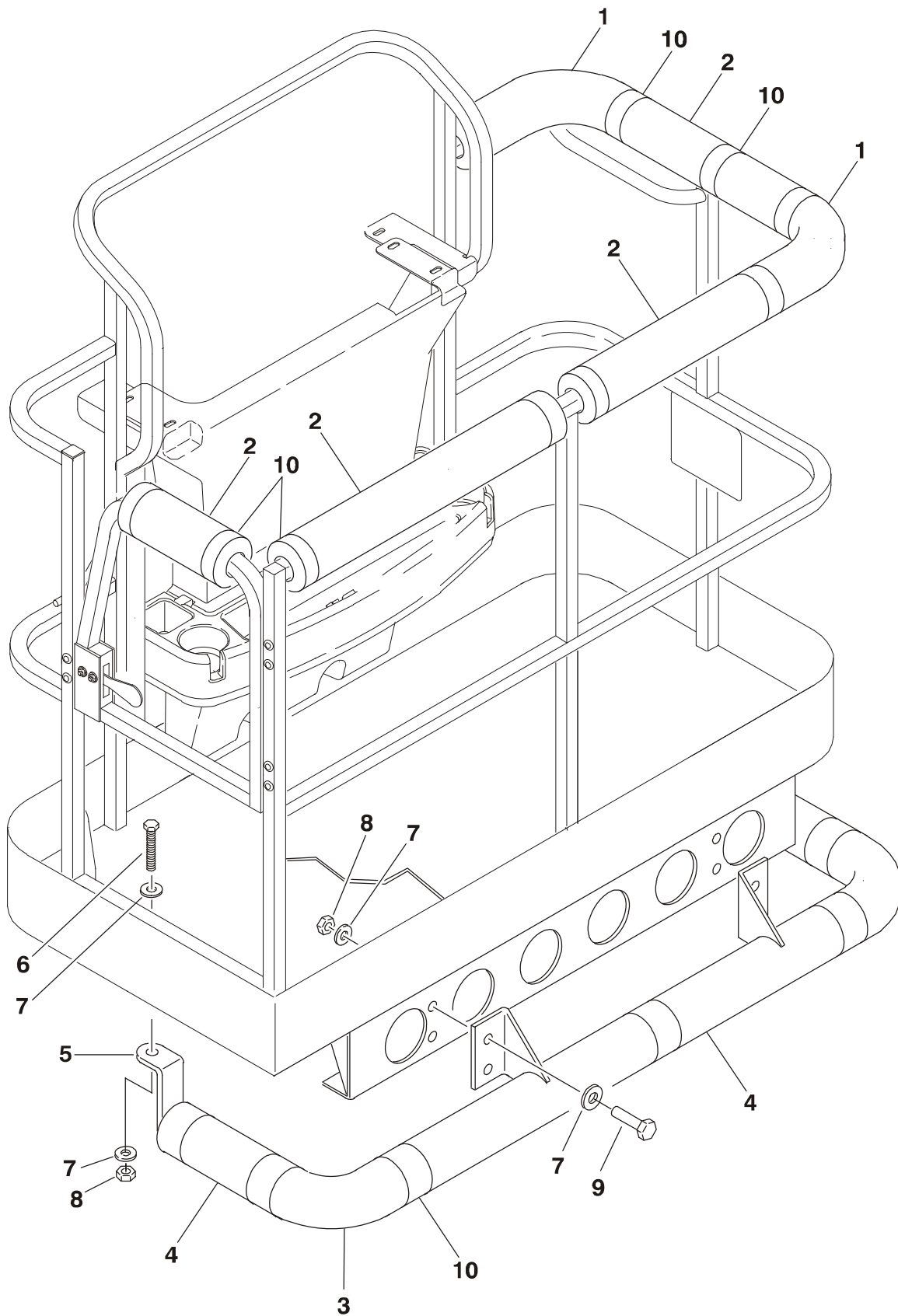
SECTION 4 PLATFORM

FIGURE 4-3. PLATFORM PADDING INSTALLATION (FRONT ENTRY PLATFORM)

ITEM #	PART NUMBER	QTY.	DESCRIPTION	REV.
		Ref.	PLATFORM PADDING INSTALLATION	
	0270338	Ref.	30in x 48in	B
	0271937	Ref.	30in x 60in	1/A
1		4	Bolt Options: 30in x 48in Assemblies (Bolt 5/16in-18NC x 1in) 30in x 60in Assemblies (Bolt 5/16in-18NC x 3/4in)	
	0641508			
	0641506			
2	0641516	2	Bolt 5/16in-18NC x 2in	
3	0940094	A/R	Padding	
4		6	Nut Options: 30in x 48in Assemblies (Nut 5/16in-18NC) 30in x 60in Assemblies (Locknut 5/16in-18NC)	
	3311501			
	3311505			
5	Not Used			
6	4420068	36ft/11m	Tape, Yellow Adhesive	
7	Not Used			
8	4751500	6	Flatwasher 5/16in (Wide)	
9	4761500	6	Lockwasher 5/16in	
10		1	Bumper Rail Options: 30in x 48in Assemblies 30in x 60in Assemblies	
	4844917			
	4845346			
11	0940091	2	Corner, Padded	
12	0940092	2	Corner, Padded	
13	0940093	A/R	Padding (Bottom)	

SECTION 4 PLATFORM

FIGURE 4-4. PLATFORM PADDING INSTALLATION (SIDE ENTRY PLATFORM)



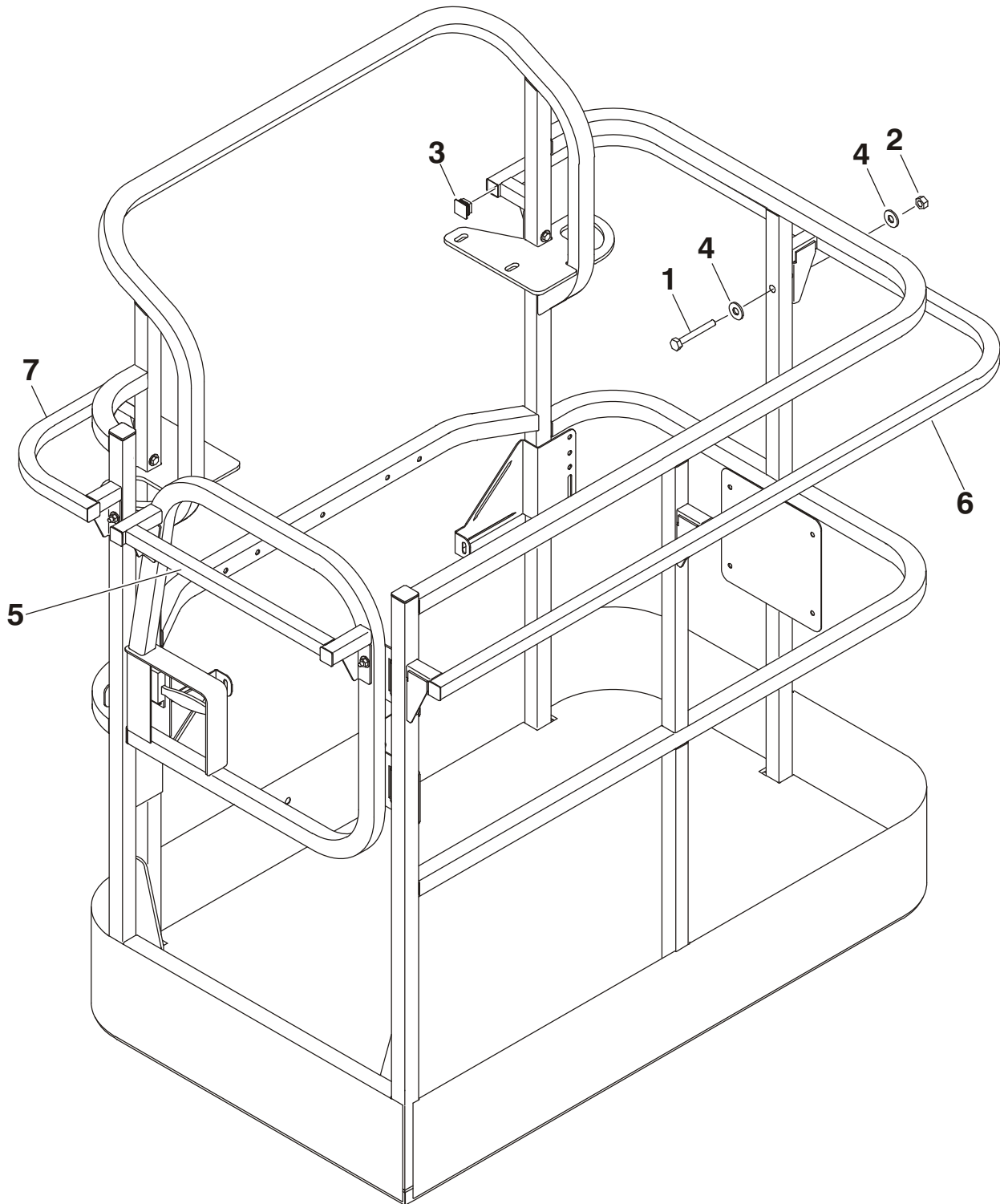
SECTION 4 PLATFORM

FIGURE 4-4. PLATFORM PADDING INSTALLATION (SIDE ENTRY PLATFORM)

ITEM #	PART NUMBER	QTY.	DESCRIPTION	REV.
		Ref.	PLATFORM PADDING INSTALLATION	
	0273381	Ref.	30in x 48in Platform	2/A
	0273382	Ref.	30in x 60in Platform	2/A
1	0940092	A/R	Pad, Corner Bumper Options:	
		2	30in x 48in Platform	
		3	30in x 60in Platform	
2	0940094	A/R	Pad, Bumper Options:	
		63in	30in x 48in Platform	
		87in	30in x 60in Platform	
3	0940091	2	Pad, Corner Bumper	
4	0940093	A/R	Pad, Bumper Options:	
		51in	30in x 48in Platform	
		66in	30in x 60in Platform	
5		1	Rail, Bumper Options:	
	4846936		30in x 48in Platform	
	4846937		30in x 60in Platform	
6	0641516	2	Bolt 5/16in-18NC x 2in	
7	4751500	6	Flatwasher 5/16in Wide	
8	3311501	6	Nut 5/16in-18NC	
9	0641506	4	Bolt 5/16in-18NC x 3/4in	
10	4420068		Tape, Yellow Safety Options:	
		30ft	30in x 48in Platform	
		34ft	30in x 60in Platform	

SECTION 4 PLATFORM

FIGURE 4-5. PLATFORM TOP RAIL EXTENSION INSTALLATION (SIDE ENTRY PLATFORM)



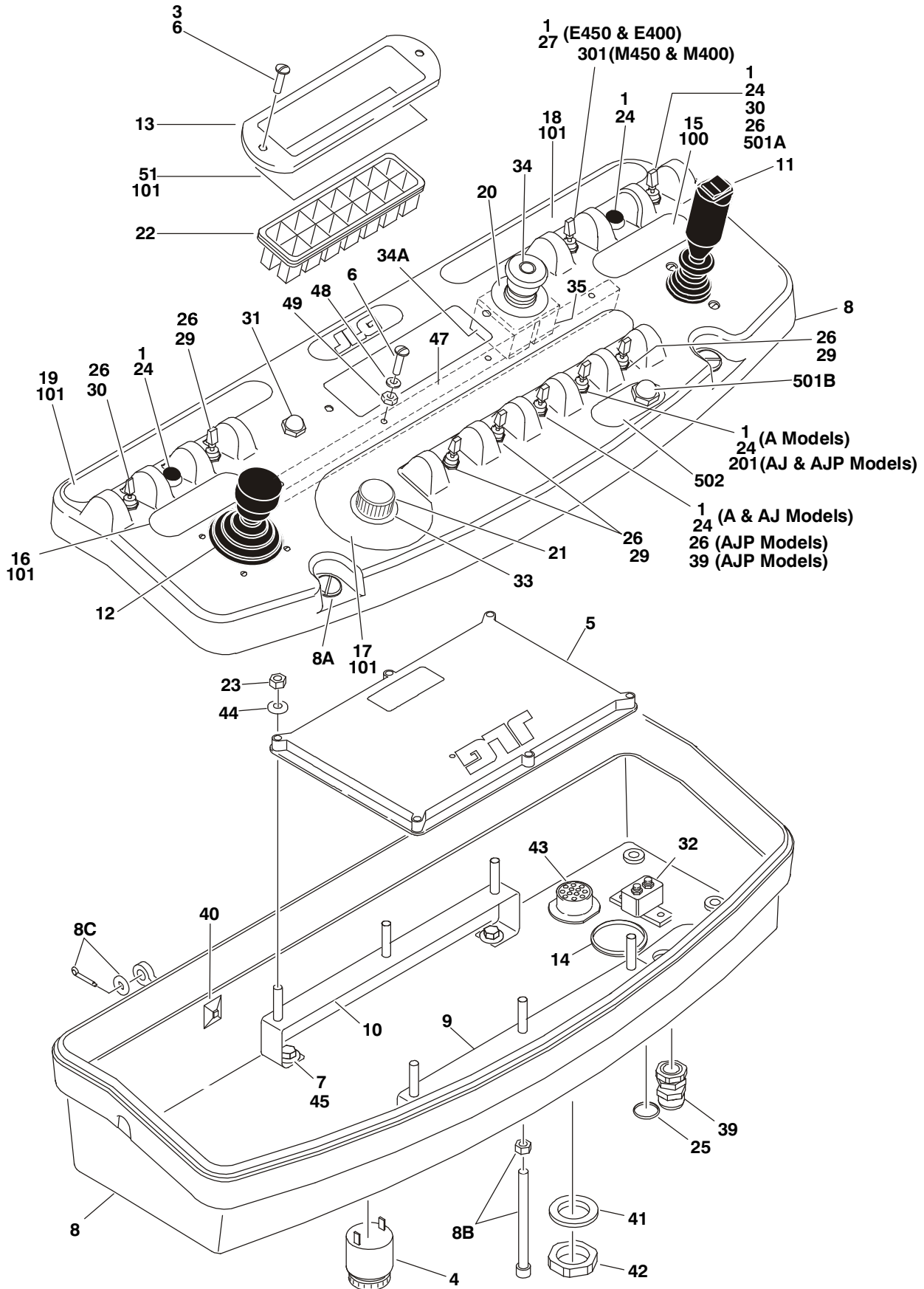
SECTION 4 PLATFORM

FIGURE 4-5. PLATFORM TOP RAIL EXTENSION INSTALLATION (SIDE ENTRY PLATFORM)

ITEM #	PART NUMBER	QTY.	DESCRIPTION	REV.
		Ref.	PLATFORM TOP RAIL EXTENSION INSTALLATION	
	1001103617	Ref.	30in x 48in Platform	A
	1001103558	Ref.	30in x 60in Platform	A
1	0641416	8	Bolt 1/4in-20NC x 2in	
2	3311405	8	Locknut 1/4in-20NC	
3	3520182	6	Plug	
4	4751400	16	Flatwasher 1/4in	
5	4846759	1	Rail, Extension Gate	
6		1	Rail, Rear Extension Options:	
	1001103614		30in x 48in Platform	
	1001103559		30in x 60in Platform	
7		1	Rail, Extension Options:	
	1001103616		30in x 48in Platform	
	1001103560		30in x 60in Platform	

SECTION 4 PLATFORM

FIGURE 4-6. PLATFORM CONSOLE ASSEMBLY



SECTION 4 PLATFORM

FIGURE 4-6. PLATFORM CONSOLE ASSEMBLY

ITEM #	PART NUMBER	QTY.	DESCRIPTION	REV.
		Ref.	CONSOLE BOX ASSEMBLIES	
	0861176	Ref.	E/M450 Models (Prior to S/N 0300068945)	10/G
	Use 1001146083	Ref.	E/M450 Models (S/N 0300068945 to Present) (was p/n 0861529)	A/O
	0861176	Ref.	E/M400A Models (Prior to S/N 0300068945)	10/G
	Use 1001146083	Ref.	E/M400A Models (S/N 0300068945 to Present) (was p/n 0861529)	A/O
	0861314	Ref.	E/M400AJP Models (Prior to S/N 0300068945)	4/D
	Use 1001145799	Ref.	E/M400AJP Models (S/N 0300068945 to Present) (was p/n 0861532)	A/L
	0273089	Ref.	Light Panel Installation	B
1	0100009	A/R	Sealant	
2	Not Used			
3	0100035	A/R	Compound, Locking	
4	0140011	1	Alarm	
5		1	Module, PC Options:	
	Use 1001109498		Module Prior to S/N 0300139889 (was p/n 0610128)	
	1001109498		Module S/N 0300139889 to Present	
6	0630464	2	Bolt #10-24 x 1/2in	
7	0720804	6	Bolt #8-32 x 1/2in	
8		A/R	Console Box Assembly Options:	
	0861215	1	Console Assembly - Prior to S/N 0300068945	
8A	7020099	2	Screw	
	3760308	2	Retainer, Screw	
	7020100	2	Receptacle, Clip-on Screw	
	0861537	1	Console Assembly - S/N 0300068945 to Present	
	Use 0861537	1	Casting, Console (Bottom)	
			(Note: Not Available for Purchase)	
	Use 0861537	1	Casting, Console (Top)	
			(Note: Not Available for Purchase)	
8B	0630568	1	Capscrew, Socket Head 3/8in-16NC x 4-1/2in	
	3311601	1	Nut 3/8in-16NC	
8C	3420156	2	Pin, Cotter	
	4711500	2	Flatwasher 5/16in Narrow	
9	0902575	1	Bracket, Platform Module	
10	0902588	1	Bracket, Platform Module	
11		1	Controller Assembly (Drive & Steer) (See Figure 4-10 for Breakdown)	
	Use 1001118418		Prior to S/N 0300145789 (was p/n 1600273)	
	1001118418		S/N 0300145789 to Present	
12		1	Controller Assembly (Lift & Swing) (See Figure 4-9 for Breakdown)	
	Use 1001118419		Prior to S/N 0300145789 (was p/n 1600274)	
	1001118419		S/N 0300145789 to Present	
13	1670829	1	Bezel	
14		A/R	Cover Options:	
	Not Required	0	Prior to S/N 0300068945	
	1671037	1	S/N 0300068945 to S/N 0300139525	
	1001110435	1	S/N 0300139525 to Present	

SECTION 4 PLATFORM

FIGURE 4-6. PLATFORM CONSOLE ASSEMBLY (CONTINUED)

ITEM #	PART NUMBER	QTY.	DESCRIPTION	REV.
15	1702565	1	Decal - Drive & Steer	
16	1702566	1	Decal - Lift & Swing	
17		1	Decal - Function Speed Options:	
	1702567		E/M450 Models	
	1702567		E/M400A Models	
	1704422		E/M400AJP Models	
18		1	Decal - Stop Options:	
	1704192		Decal Prior to S/N 0300139889	
	Use 1001132175		S/N 0300139889 to S/N 0300150084 (was p/n 1001107677)	
	1001132175		S/N 0300150084 to Present	
19	1704240	1	Decal - Horn	
20	1704260	1	Decal - EMS	
21	2560136	1	Handle, Knob	
22	2760105	1	Fixture, Light	
23	3310601	6	Nut #6-32	
24		A/R	Plug, Hole Options:	
	3520028		Prior to S/N 0300077413	
	3520054		S/N 0300077413 to Present	
25	3520030	2	Hole, Plug	
26	3790012	A/R	Ring	
27	4240032	2	Tie, Wire (Not Shown)	
28	Not Used			
29	4360328	A/R	Switch, Toggle	
30		A/R	Switch, Toggle Options:	
	4360330		Switch for Positrack & Drive Orientation	
	4360336		Switch for Lights	
31	4360387	1	Switch, Push Button	
32	4360448	1	Circuit Breaker - 10 Amp	
33	4360462	1	Switch, Potentiometer	
34	4360475	1	Switch, Emergency Stop	
	7020175	1	Cap, Mushroom with Sealing Ring	
34A	7020176	1	Block, Contact	
35	4360476	1	Block, Contact	
36 to 37	Not Used			
38	4460234	3	Tie, Wire (Not Shown)	
39	4460428	1	Connector, Strain Relief	
40	4460488	1	Base, Terminal Mounting	
41	4460496	1	Lockwasher, Receptacle	
42	4460497	1	Nut, Terminal	
43	4460752	1	Connector - 14 Position	
44	4750600	6	Flatwasher #6	
45	4750800	4	Flatwasher #8	
46	Not Used			
47	3571222	1	Angle, Relay Mounting (Prior to S/N 0300068945 Only)	
48	4740120	4	Washer, Nylon (Prior to S/N 0300068945 Only)	
49	3311005	4	Locknut #10-24NC (Prior to S/N 0300068945 Only)	
50	Not Used			

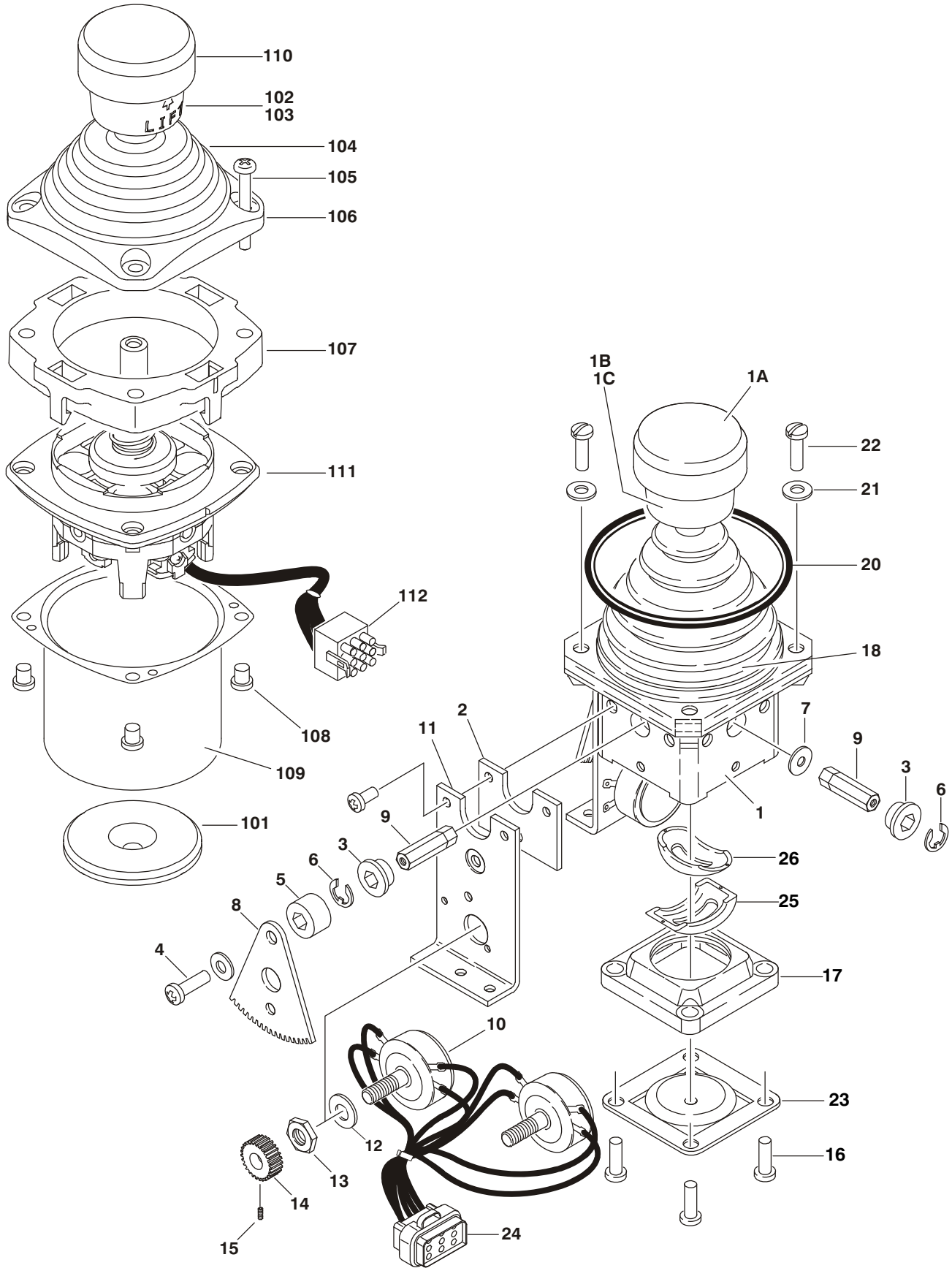
SECTION 4 PLATFORM

FIGURE 4-6. PLATFORM CONSOLE ASSEMBLY (CONTINUED)

ITEM #	PART NUMBER	QTY.	DESCRIPTION	REV.
51	1704239 1001110226	1	Display - Light Panel Options: Display Prior to S/N 0300139889 Display S/N 0300139889 to Present -----	
101	2910866 1001119566	1	Decal Kit Options (Includes Items 15 - 20 & 51): Kit Prior to S/N 0300139889 Kit S/N 0300139889 to Present	
	0259102	Ref.	JIB CONSOLE SWITCH (E/M450AJ & E/M400AJP ONLY)	2/B
201	4360328 3790012 4922294 4240032	1 1 1 6	Switch, Toggle O-Ring Harness, Jib Function (See Section 7 for Breakdown) Tie-Strap	
	0257824	Ref.	MOTOR CONTROLS INSTALLATION (M450 & M400 ONLY)	11
	0270344	Ref.	All M450 Models Built Prior to S/N 0300059390	5/B
	0270344	Ref.	All M450 Models Built S/N 0300059390 to S/N 0300079057	5/B
	0273573	Ref.	All M400 Models Prior to S/N 0300079057	B
	0274617	Ref.	All M450/M400 Models S/N 0300079057 to S/N 0300088539	E
301	4360336 3790012 4922222 4922223	1 1 1 1	Switch, Toggle O-Ring Harness (See Section 7 for Breakdown) Harness (See Section 7 for Breakdown)	
	0259358	Ref.	PLATFORM OVERLOAD SENSING INSTALLATION (OPTIONAL - FRONT ENTRY PLATFORM)	D
	0271489	Ref.	CE Spec	B
		Ref.	CE Spec (Lift Down)	
		Ref.	Note: For Side Entry Platform Refer to JLG Supplement 3124287.	
401	1600310 3910614 4750600 3310601	1 2 2 2	Controller, Load Sensing Screw #6-32NC x 7/8in Flatwasher #6 Nut #6-32NC	
	0259338	Ref.	WORKLIGHTS INSTALLATION (OPTIONAL)	C
501		1	Switch Options:	
501A	4360336		Switch, Toggle (Prior to S/N 0300161792)	
501B	4360522		Switch, Push Button (S/N 0300161792 to Present)	
502	1705170	1	Decal, Lights (S/N 0300161792 to Present)	

SECTION 4 PLATFORM

FIGURE 4-7. CONTROLLER ASSEMBLY (SWING & LIFT)



SECTION 4 PLATFORM

FIGURE 4-7. CONTROLLER ASSEMBLY (SWING & LIFT)

ITEM #	PART NUMBER	QTY.	DESCRIPTION	REV.
		Ref.	CONTROLLER ASSEMBLY	
	1600274	Ref.	Controller Assy (Original Equipment Prior to S/N 0300145789)	F
1	7019141	1	Mechanical Assembly (Includes Base, Handle Stem and Items 18, 1A, 1B & 1C)	
1A	7019197	1	Handle Cap and Rod	
1B	7003928	1	Spring	
1C	7022808	1	Cap, Lift	
2	7019142	2	Plate	
3	7019111	4	Bearing, Gear	
4	7019143	2	Screw	
5	7019144	2	Spacer	
6	7019145	4	E-Clip	
7	7019174	2	Spacer, Cam	
8	7003977	2	Gear, Drive	
9	7019147	4	Shaft	
10	7019195	2	Potentiometer Assembly	
	7003974	1	Potentiometer	
11	7019142	2	Plate	
12	7003992	2	Washer	
13	7003993	2	Nut	
14	7003976	2	Gear, Slave	
15	7019149	2	Setscrew	
16	7003952	4	Screw	
17	7019150	1	Gate	
18	Use 7022813	1	Boot (was p/n 7003955)	
19	Use 7022813	1	Plate, Plastic (was p/n 7003954)	
20	7003956	1	O-Ring	
21	7003953	4	Washer	
22	7019137	4	Screw	
23	7019170	1	Center, Detent	
24	4460265	1	Plug, Male - 9 Position	
	4460226	8	Socket, Female	
25	7019122	1	Gimble, Outer	
26	7019123	1	Gimble, Inner	
	100118419	Ref.	Controller Assembly (Service Replacement Prior to S/N 0300145789/Original Equipment S/N 0300145789 to Present)	B
101	70002730	1	Gasket	
102	7003928	1	Spring	
103	7022808	1	Cap, Lift	
104	70002731	1	Boot	
105	70002732	4	Screw	
106	7022815	1	Bezel	
107	70002733	1	Adapter	
108	70002734	4	Screw	
109	70002735	1	Can, Enclosure	
110	70002906	1	Cap	
111	Use 100118419	1	Mechanical Assembly (Note: Not Available for Purchase)	

SECTION 4 PLATFORM

FIGURE 4-7. CONTROLLER ASSEMBLY (SWING & LIFT) (CONTINUED)

ITEM #	PART NUMBER	QTY.	DESCRIPTION	REV.
112	4460265	1	Plug, Male - 9 Position	
	4460226	8	Socket, Female	

SECTION 4 PLATFORM

FIGURE 4-7. CONTROLLER ASSEMBLY (SWING & LIFT) (CONTINUED)

ITEM #	PART NUMBER	QTY.	DESCRIPTION	REV.

SECTION 4 PLATFORM

FIGURE 4-8. CONTROLLER ASSEMBLY (DRIVE & STEER)

ITEM #	PART NUMBER	QTY.	DESCRIPTION	REV.
		Ref.	CONTROLLER ASSEMBLY	
	1600273	Ref.	Controller Assembly (Original Equipment Prior to S/N 0300145789)	G
1	7022812	1	Handle Assembly (See items 201-210 for Breakdown)	
2	7019161	1	Boot and Sleeve	
3	7003933	1	Gasket	
4	7019154	2	Clamp, Wire	
5	7019159	1	Bracket, Mounting	
6	7003994	10	Screw	
7	7019157	1	Plate, Pot Mounting	
8	7003986	1	Strip, Terminal - 3 Position	
9	7019191	1	Electric Assembly	
	7003974	1	Potentiometer	
9A	4460265	1	Plug, Male - 9 Position	
	4460226	7	Socket, Female	
10	7019151	A/R	Tie-Strap	
11	7019162	1	Spring	
12	Use 7003940	2	Screw (was p/n 7003969)	
13	7003941	2	Washer	
14	7019158	1	Plate, Mounting (Left Side)	
15	7019115	2	Stand-Off	
16	Use 1600273	1	Shaft 8mm (Note: Not Available for Purchase)	
17	7019111	2	Bearing	
18	7019110	2	Spacer, Head Gear	
19	7019112	1	Washer	
20	7003946	1	Spring, Return	
21	7019103	4	Pin	
22	See Note	1	Rivet (Note: Not Available for Purchase)	
23	7019168	1	Plate, Mounting (Right Side)	
24	7003992	1	Washer	
25	7003993	1	Nut	
26	7003935	1	Gear, Slave	
27	7019160	1	Base	
	1001118418	Ref.	Controller Assembly (Service Replacement Prior to S/N 0300145789/Original Equipment S/N 0300145789 to Present)	
	1001118418	Ref.	Controller Assembly (Service Replacement)	B
101	70002724	1	Boot & Control Lock Assembly	
102	7003941	2	Washer	
103	70002725	2	Screw	
104	7019162	1	Spring	
105	70002726	1	Enclosure	
106	70002736	1	Handle Assembly (See Items 201-210 for Breakdown)	
107	70002728	1	Screw	
108	Use 1001118418	1	Mechanical Assembly (Note: Not Available for Purchase)	
109	4460265	1	Plug, Male - 9 Position	
	4460226	7	Socket, Female	

SECTION 4 PLATFORM

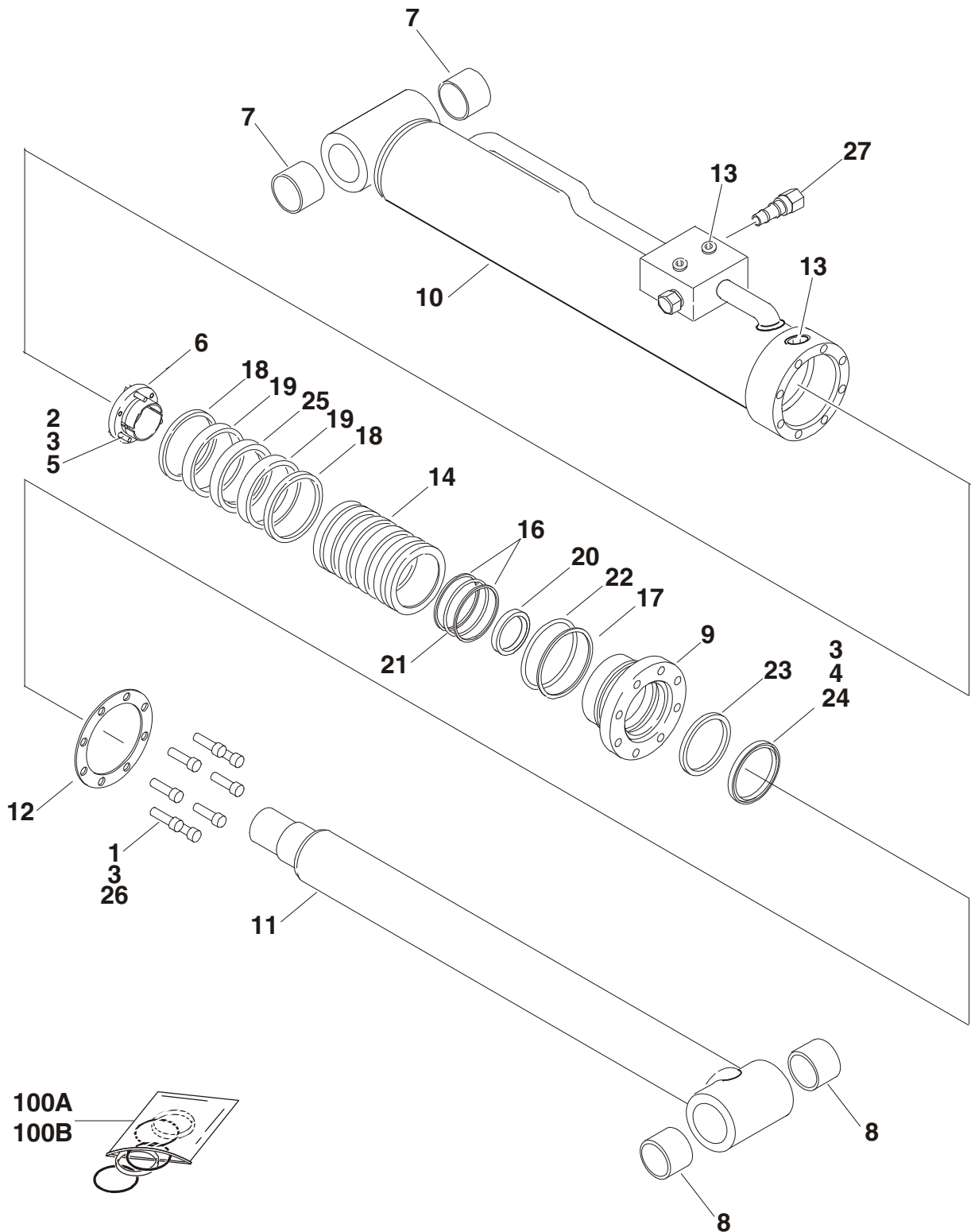
FIGURE 4-8. CONTROLLER ASSEMBLY (DRIVE & STEER) (CONTINUED)

ITEM #	PART NUMBER	QTY.	DESCRIPTION	REV.
		Ref.	HANDLE ASSEMBLIES	
	7022812		Controller Assembly p/n 1600273	
	70002736		Controller Assembly p/n 1001118418	
201	7003972	1	Boot, Switch	
202	7003973	2	Half, Handle	
203	7003980	4	Screw	
204	7019167	4	Nut	
205	7019164	1	Axle	
206	7019165	1	Rocker	
207		1	Wiring Assembly Options:	
	7019196		Controller Assembly p/n 1600273	
	7003982	2	Switch, Micro	
	70002737		Controller Assembly p/n 1001118418	
	7003982	2	Switch, Micro	
208	7003983	2	Setscrew	
209	7019194	1	Coupling	
210	7003989	2	Gasket	

SECTION 5 CYLINDER

SECTION 5 CYLINDER

FIGURE 5-1. JIB CYLINDER ASSEMBLY (E/M450AJ & E/M400AJP) (E/M450AJ PRIOR TO S/N 0300164333 & E/M400AJP PRIOR TO S/N 0300163453)



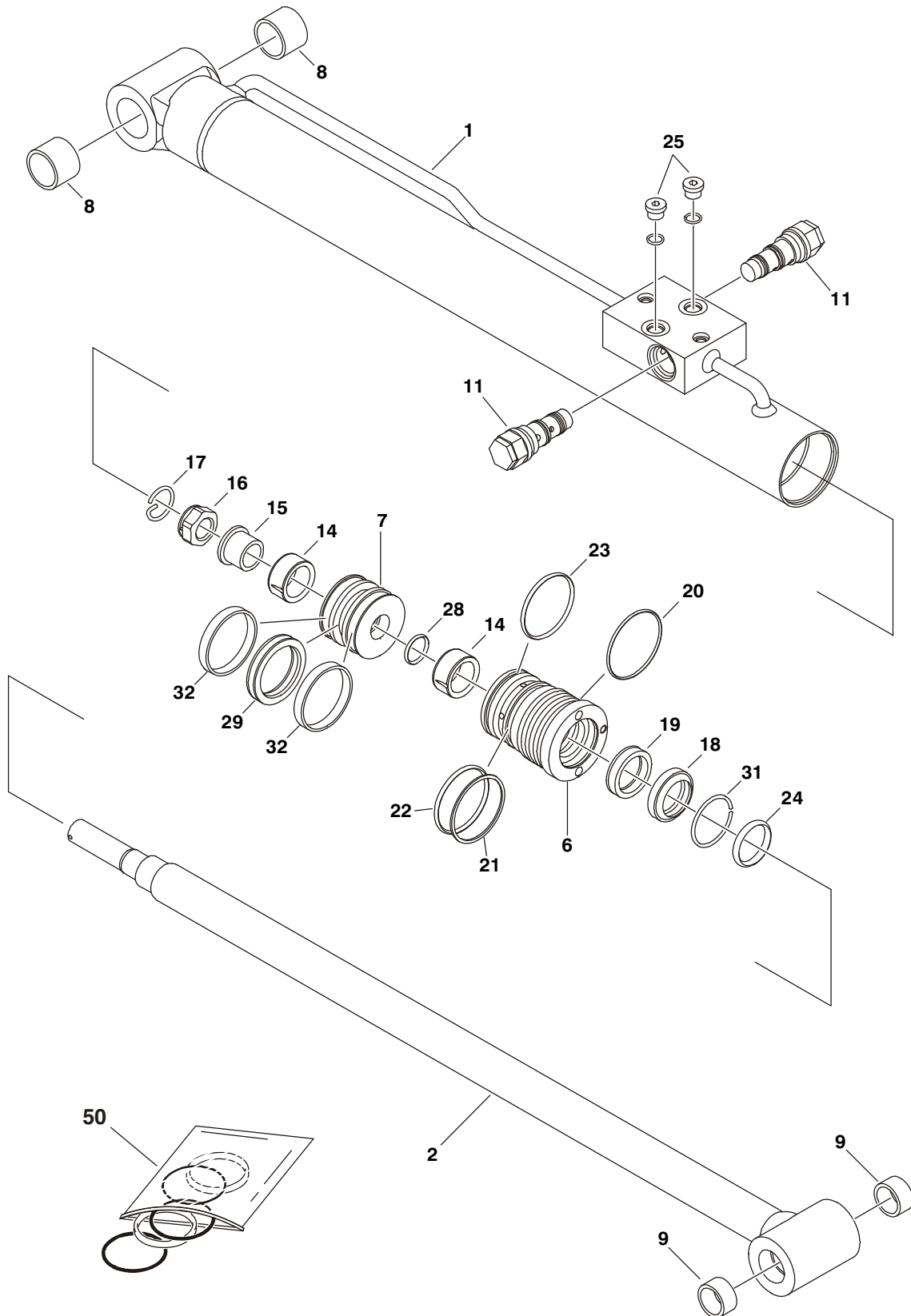
SECTION 5 CYLINDER

FIGURE 5-1. JIB CYLINDER ASSEMBLY (E/M450AJ & E/M400AJP) (E/M450AJ PRIOR TO S/N 0300164333 & E/M400AJP PRIOR TO S/N 0300163453)

ITEM #	PART NUMBER	QTY.	DESCRIPTION	REV.
	1683779	Ref.	JIB CYLINDER ASSEMBLY	H
		Ref.	Note: Original Equipment components may have been replaced with Service Replacement components part. Identify p/n stamped on cylinder before ordering parts.	
1	0100011	A/R	Compound, Locking	
2	0100035	A/R	Compound, Locking (Prior to S/N 0300052727)	
3	0100038	A/R	Primer, Locking	
4	0100063	A/R	Adhesive (Prior to S/N 0300106518)	
5	0630534	3	Bolt #10-24NC x 1in	
6	0961893	1	Bushing, Tapered	
7	0961947	2	Bearing, Garmax	
8	0961951	2	Bushing, Garmax	
9	1683051	1	Head, Cylinder	
10	1683780	1	Barrel	
11	1683783	1	Rod	
12	3760367	1	Ring, Washer	
13	2220885	3	O-Ring Plug	
14	3480249	1	Piston, Head	
15	Not Used			
16	See Note	2	Back-Up (Note: Use Items 100A & 100B)	
17	See Note	1	Back-Up (Note: Use Items 100A & 100B)	
18	See Note	2	Ring, Seal (Note: Use Items 100A & 100B)	
19	See Note	2	Ring, Wear (Note: Use Items 100A & 100B)	
20	See Note	1	Ring, Wear (Note: Use Items 100A & 100B)	
21	See Note	1	O-Ring (Note: Use Items 100A & 100B)	
22	See Note	1	O-Ring (Note: Use Items 100A & 100B)	
23	See Note	1	Seal (Note: Use Items 100A & 100B)	
24	See Note	1	Wiper (Note: Use Items 100A & 100B)	
25	See Note	1	Seal (Note: Use Items 100A & 100B)	
26	3931516	8	Bolt 5/16in-18NC x 1in	
27	4640509	2	Cartridge, Valve	
	2900792	2	Seal Kit- 4640509 Valve (1 Per Cartridge)	
100		1	Seal Kit Options (Includes Items 16-25):	
100A	2901810		Prior to S/N 0300068111	
100B	2902209		S/N 0300068111 to Present	

SECTION 5 CYLINDER

FIGURE 5-2. JIB CYLINDER ASSEMBLY (E/M450AJ & E/M400AJP) (E/M450AJ S/N 0300164333 TO PRESENT & E/M400AJP S/N 0300163453 TO PRESENT)



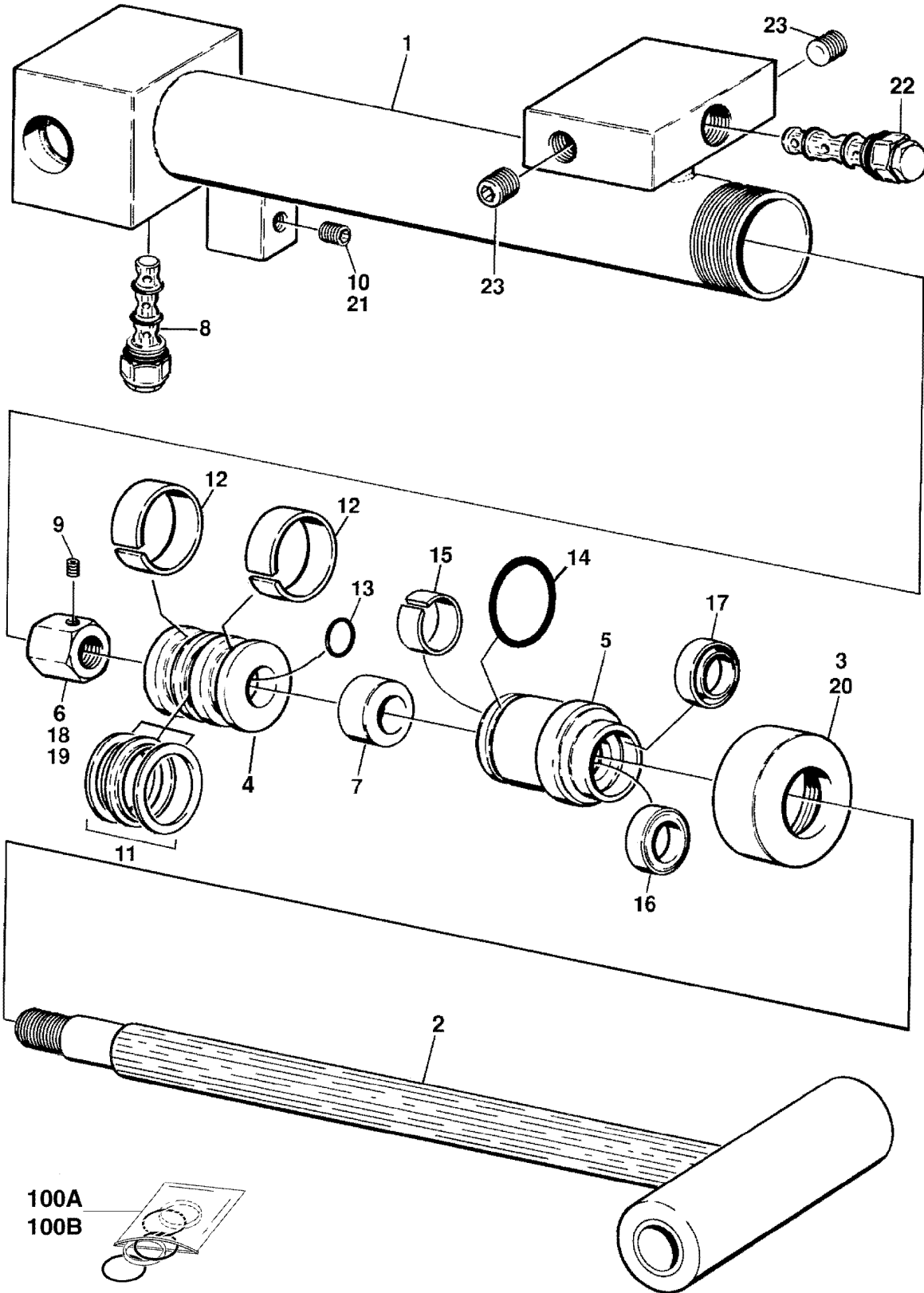
SECTION 5 CYLINDER

FIGURE 5-2. JIB CYLINDER ASSEMBLY (E/M450AJ & E/M400AJP) (E/M450AJ S/N 0300164333 TO PRESENT & E/M400AJP S/N 0300163453 TO PRESENT)

ITEM #	PART NUMBER	QTY.	DESCRIPTION	REV.
	1001140280	Ref. Ref.	JIB CYLINDER ASSEMBLY Note: Original Equipment components may have been replaced with Service Replacement components part. Identify p/n stamped on cylinder before ordering parts. Note: Jib cylinder with manual descent Valve see section 10.	A
1	70003863	1	Barrel	
2	70003864	1	Rod	
3 to 5	Not Used			
6	7026088	1	Head	
7	70003833	1	Piston	
8	0961951	2	Bushing	
9	0961947	2	Bushing	
10	Not Used			
11	464509	2	Cartridge, Counterbalance Valve	
	2900792	2	Seal Kit - 4640509 Valve	
12 to 13	Not Used			
14	7026090	2	Bushing	
15	7026091	1	Sleeve	
16	7026092	1	Nut	
17	70002223	1	Retainer	
18	Use 70003836	1	Wiper	
19	Use 70003836	1	Seal	
20	Use 70003836	1	O-Ring	
21	Use 70003836	1	Ring, Backup	
22	Use 70003836	1	O-Ring	
23	Use 70003836	1	O-Ring	
24	7026068	1	O-Ring	
25	7024844	2	Plug	
26 to 27	Not Used			
28	Use 70003836	1	O-Ring	
29	Use 70003836	1	Seal	
30	Not Used			
31	70002220	1	Ring, Retaining	
32	Use 70003836	2	Ring, Wear	
33 to 49	Not Used			
50	70003836	1	Seal Kit - 1001140280 Cylinder (Includes Items 18-23, 28, 29 & 32)	

SECTION 5 CYLINDER

FIGURE 5-3. PLATFORM LEVEL CYLINDER ASSEMBLY (E/M450A & E/M400A) (PRIOR TO S/N 0300165128)



SECTION 5 CYLINDER

FIGURE 5-3. PLATFORM LEVEL CYLINDER ASSEMBLY (E/M450A & E/M400A) (PRIOR TO S/ N 0300165128)

ITEM #	PART NUMBER	QTY.	DESCRIPTION	REV.
		Ref.	PLATFORM LEVEL CYLINDER ASSEMBLY	
	1683285	Ref.	E/M450A Models (Prior to S/N 0300056894)	A
	1683933	Ref.	E/M450A Models (S/N 0300056894 to Present)	G
	1683933	Ref.	E/M400A Models	G
		Ref.	Note: Original Equipment components may have been replaced with Service Replacement components part. Identify p/n stamped on cylinder before ordering parts.	
1		1	Barrel Weldment Options: Prior to S/N 0300056894 S/N 0300056894 to Present	
	1682878			
	1683995			
		2	Bushing Options: Prior to S/N 0300056894 S/N 0300056894 to Present	
	0961608			
	0962356			
2		1	Rod Weldment Options: Prior to S/N 0300056894 S/N 0300056894 to Present	
	1683286			
	1684007			
	0961608	2	Bushing Options: Prior to S/N 0300056894 S/N 0300056894 to Present	
	0961608			
	0962356			
3	1120110	1	Retainer	
4		1	Piston Options: Prior to S/N 0300056894 S/N 0300056894 to Present	
	3480217			
	3480261			
5		1	Head Options: Prior to S/N 0300056894 S/N 0300056894 to Present	
	1682154			
	1683934			
6	3300308	1	Nut, Hex	
7		1	Spacer, Tube Options: Prior to S/N 0300056894 S/N 0300056894 to Present	
	4566023			
	4568136			
8	4640509	1	Valve, Holding	
	2900792	1	Seal Kit - 4640509 Valve	
9	3900170	1	Setscrew 3/8in-16NC x 3/8in	
10	2200222	1	Plug, Pipe	
11	See Note	1	T-Seal (Note: Use Items 100A & 100B)	
12	See Note	A/R	Ring, Wear (Note: Use Items 100A & 100B)	
		1	Prior to S/N 0300056894	
		2	S/N 0300056894 to Present	
13	See Note	1	O-Ring (Note: Use Items 100A & 100B)	
14	See Note	1	O-Ring (Note: Use Items 100A & 100B)	
15	See Note	1	Ring, Wear (Note: Use Items 100A & 100B)	
16	See Note	1	Seal, Rod (Note: Use Items 100A & 100B)	
17	See Note	1	Wiper, Rod (Note: Use Items 100A & 100B)	
18	0100038	A/R	Primer, Locking	
19	0100011	A/R	Compound, Locking	
20	0100035	A/R	Compound, Locking	
21	0100020	A/R	Sealant, Pipe	

SECTION 5 CYLINDER

FIGURE 5-3. PLATFORM LEVEL CYLINDER ASSEMBLY (E/M450A & E/M400A) (PRIOR TO S/ N 0300165128) (CONTINUED)

ITEM #	PART NUMBER	QTY.	DESCRIPTION	REV.
22	4640932	1	Cartridge, Holding Valve	
	7011112	1	Seal Kit - 4640932 Valve	
23	2220883	2	Plug, Socket Hex	

100		1	Seal Kit Options (Includes Items 11-17):	
100A	2901147		Level Cylinder p/n 1683285	
100B	2901902		Level Cylinder p/n 1683933	

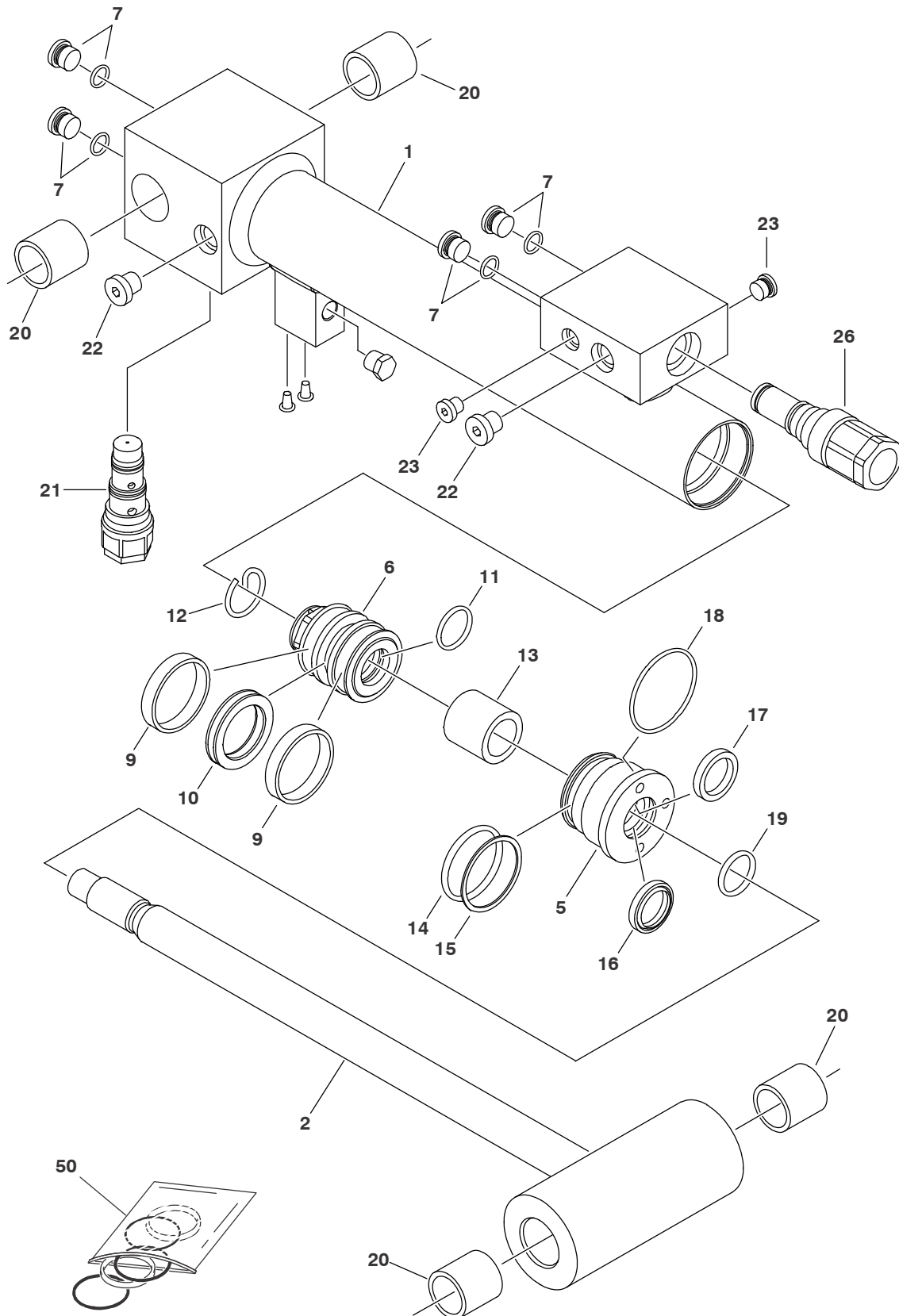
SECTION 5 CYLINDER

FIGURE 5-3. PLATFORM LEVEL CYLINDER ASSEMBLY (E/M450A & E/M400A) (PRIOR TO S/ N 0300165128) (CONTINUED)

ITEM #	PART NUMBER	QTY.	DESCRIPTION	REV.

SECTION 5 CYLINDER

FIGURE 5-4. PLATFORM LEVEL CYLINDER ASSEMBLY (E/M450A & E/M400A) (S/N 0300165128 TO PRESENT)



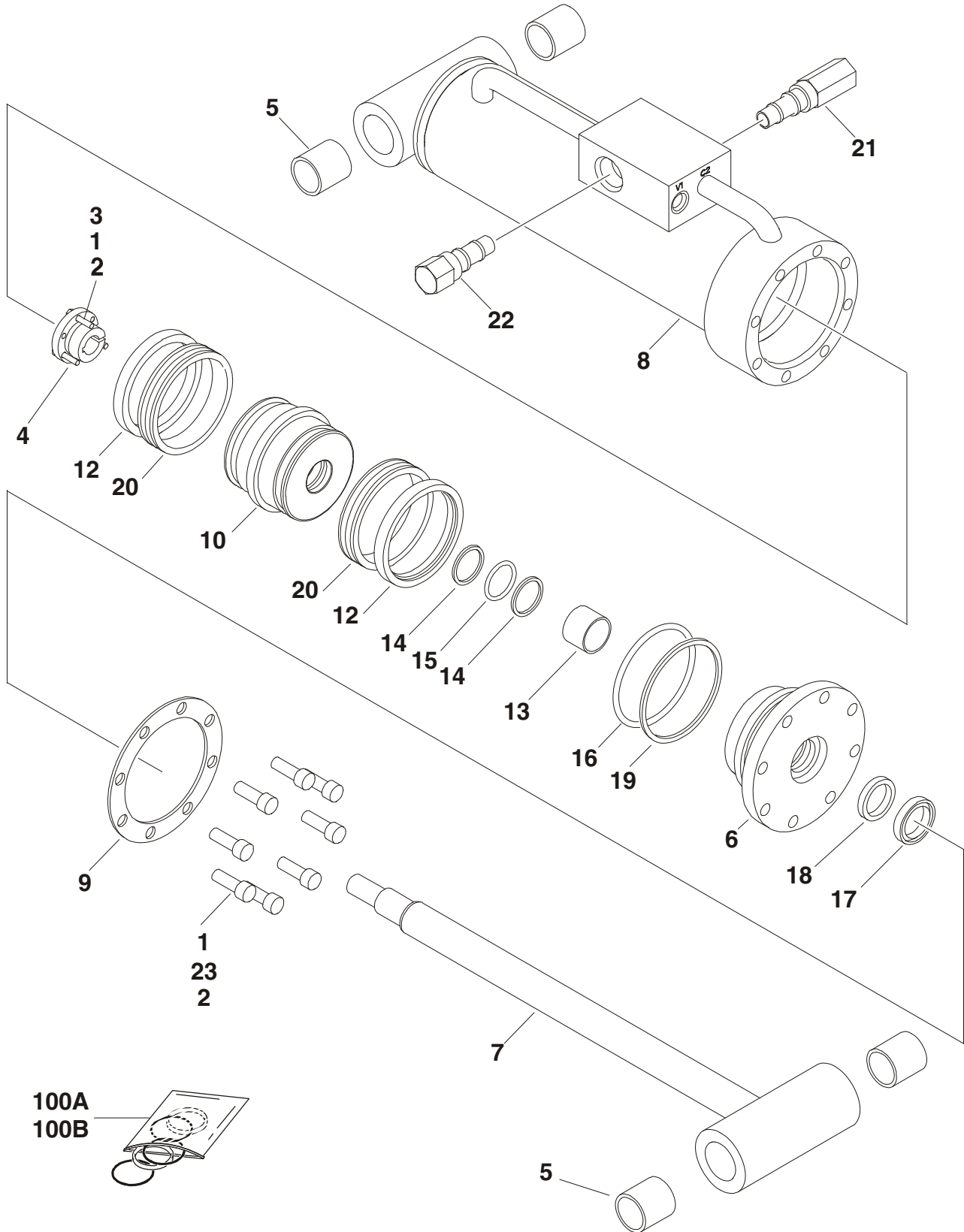
SECTION 5 CYLINDER

FIGURE 5-4. PLATFORM LEVEL CYLINDER ASSEMBLY (E/M450A & E/M400A) (S/N 0300165128 TO PRESENT)

ITEM #	PART NUMBER	QTY.	DESCRIPTION	REV.
	1001140598	Ref. Ref.	PLATFORM LEVEL CYLINDER ASSEMBLY Note: Original Equipment components may have been replaced with Service Replacement components part. Identify p/n stamped on cylinder before ordering parts.	A
1	70004146	1	Barrel	
2	70004147	1	Rod	
3 to 4	Not Used			
5	70000739	1	Head	
6	70004141	1	Piston	
7	See Note	4	Plug (Note: Not Available For Purchase)	
8	Not Used			
9	Use 70004131	2	Ring, Wear	
10	Use 70004131	1	Seal	
11	70023094	1	O-Ring	
12	70004142	1	Retainer	
13	70004143	1	Spacer	
14	Use 70004131	1	O-Ring	
15	Use 70004131	1	Ring, Back-up	
16	Use 70004131	1	Wiper	
17	Use 70004131	1	Seal	
18	Use 70004131	1	O-Ring	
19	70000740	1	O-Ring	
20	0962356	4	Bushing	
21	4640509	1	Cartridge, Counterbalance Valve	
	2900792	1	Seal Kit -4640509 Valve	
22	70024262	2	Plug	
23	See Note	2	Plug (Note: Not Available For Purchase)	
24 to 25	Not Used			
26	4640932	1	Cartridge, Counterbalance Valve	
	7011112	1	Seal Kit -4640832 Valve	
27 to 49	Not Used			
50	70004131	1	Seal Kit (Includes Items 9-11 & 14-18)	

SECTION 5 CYLINDER

FIGURE 5-5. PLATFORM LEVEL CYLINDER ASSEMBLY - JIB (E/M450AJ & E/M400AJP) (PRIOR TO S/N 0300163453)



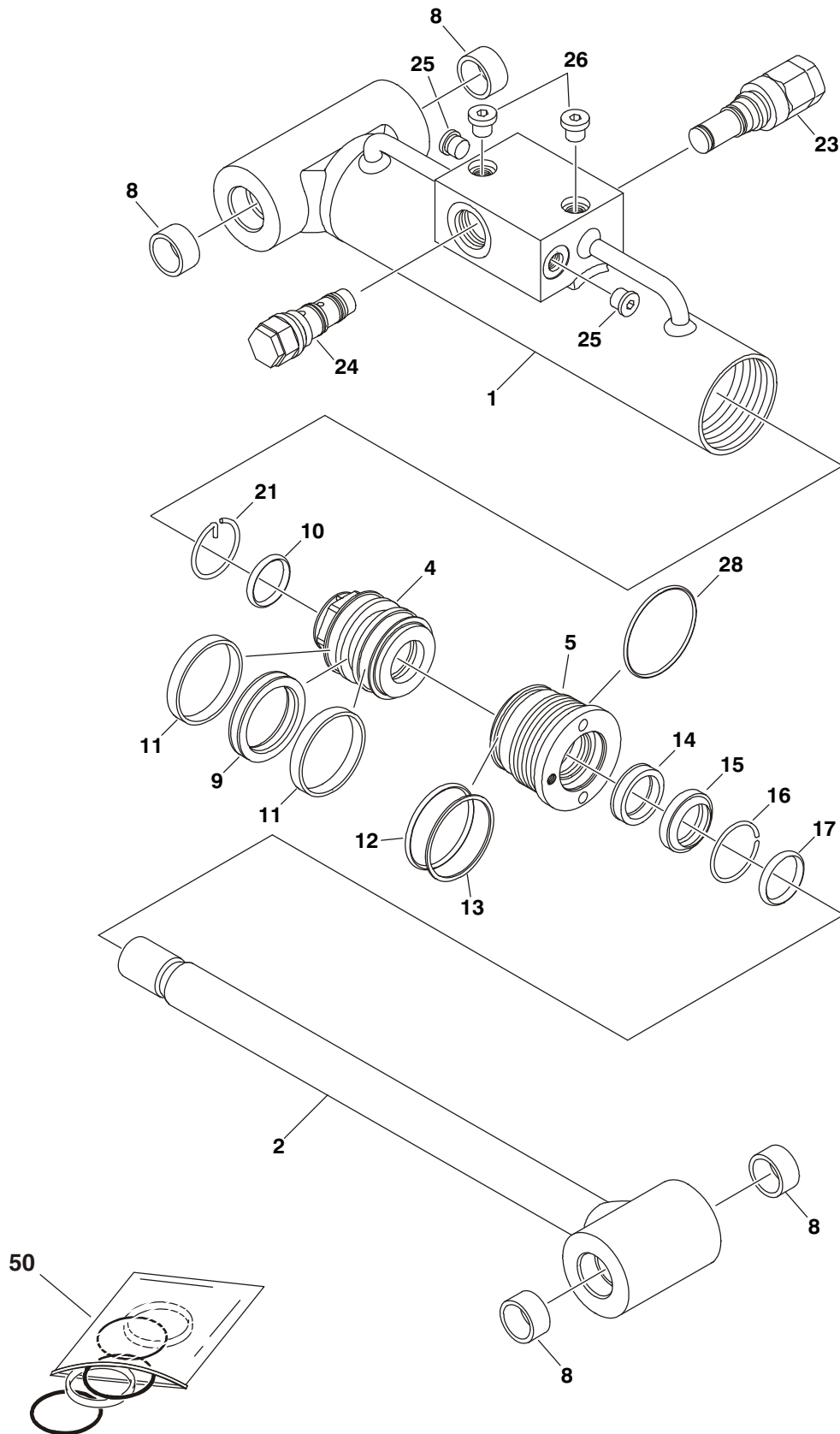
SECTION 5 CYLINDER

**FIGURE 5-5. PLATFORM LEVEL CYLINDER ASSEMBLY - JIB (E/M450AJ & E/M400AJ)
(PRIOR TO S/N 0300163453)**

ITEM #	PART NUMBER	QTY.	DESCRIPTION	REV.
		Ref.	PLATFORM LEVEL CYLINDER ASSEMBLY	
	1683760	Ref.	E450AJ & M450AJ Prior to S/N 0300056571	B
	1683924	Ref.	E450AJ & M450AJ S/N 0300056571 to Present	G
	1683924	Ref.	E400AJP & M400AJP	G
		Ref.	Note: Original Equipment components may have been replaced with Service Replacement components part. Identify p/n stamped on cylinder before ordering parts.	
1	0100011	A/R	Compound, Locking	
2	0100038	A/R	Primer, Locking	
3	3931016	3	Bolt, Socket Head #10-24NC x 1in	
4		1	Tapered Bushing Options:	
	0961900		1683760 Cylinder	
	0962185		1683924 Cylinder	
5	0961951	4	Bushing, Garmax	
6		1	Head Options:	
	1683052		1683760 Cylinder	
	1683925		1683924 Cylinder	
7	1683759	1	Rod	
8	1683761	1	Barrel	
9	3760368	1	Washer, Ring	
10		1	Piston Options:	
	3480247		1683760 Cylinder	
	3480259		1683924 Cylinder	
11	Not Used			
12	See Note	2	Ring, Lock (Note: Use Items 100A & 100B)	
13	See Note	1	Ring, Wear (Note: Use Items 100A & 100B)	
14	See Note	2	Ring, Back-Up (Note: Use Items 100A & 100B)	
15	See Note	1	O-Ring (Note: Use Items 100A & 100B)	
16	See Note	1	O-Ring (Note: Use Items 100A & 100B)	
17	See Note	1	Wiper (Note: Use Items 100A & 100B)	
18	See Note	1	Seal (Note: Use Items 100A & 100B)	
19	See Note	1	Ring, Back-Up (Note: Use Items 100A & 100B)	
20	See Note	2	Seal (Note: Use Items 100A & 100B)	
21	4640932	1	Cartridge, Valve (Counterbalance Vented)	
	7011112	1	Seal Kit-4640932 Valve	
22	4641086	1	Cartridge, Valve (Counterbalance Non Vented)	
	2900792	1	Seal Kit-4641086 Valve	
23	3931516	8	Bolt, Socket Head 5/16in-18NC x 1in	
100		1	Seal Kit Options (Includes Items 12-20):	
100A	2901776		1683760 Cylinder	
100B	2901898		1683924 Cylinder	

SECTION 5 CYLINDER

FIGURE 5-6. PLATFORM LEVEL CYLINDER ASSEMBLY - JIB (E/M450AJ & E/M400AJ)
(S/N 0300163453 TO PRESENT)



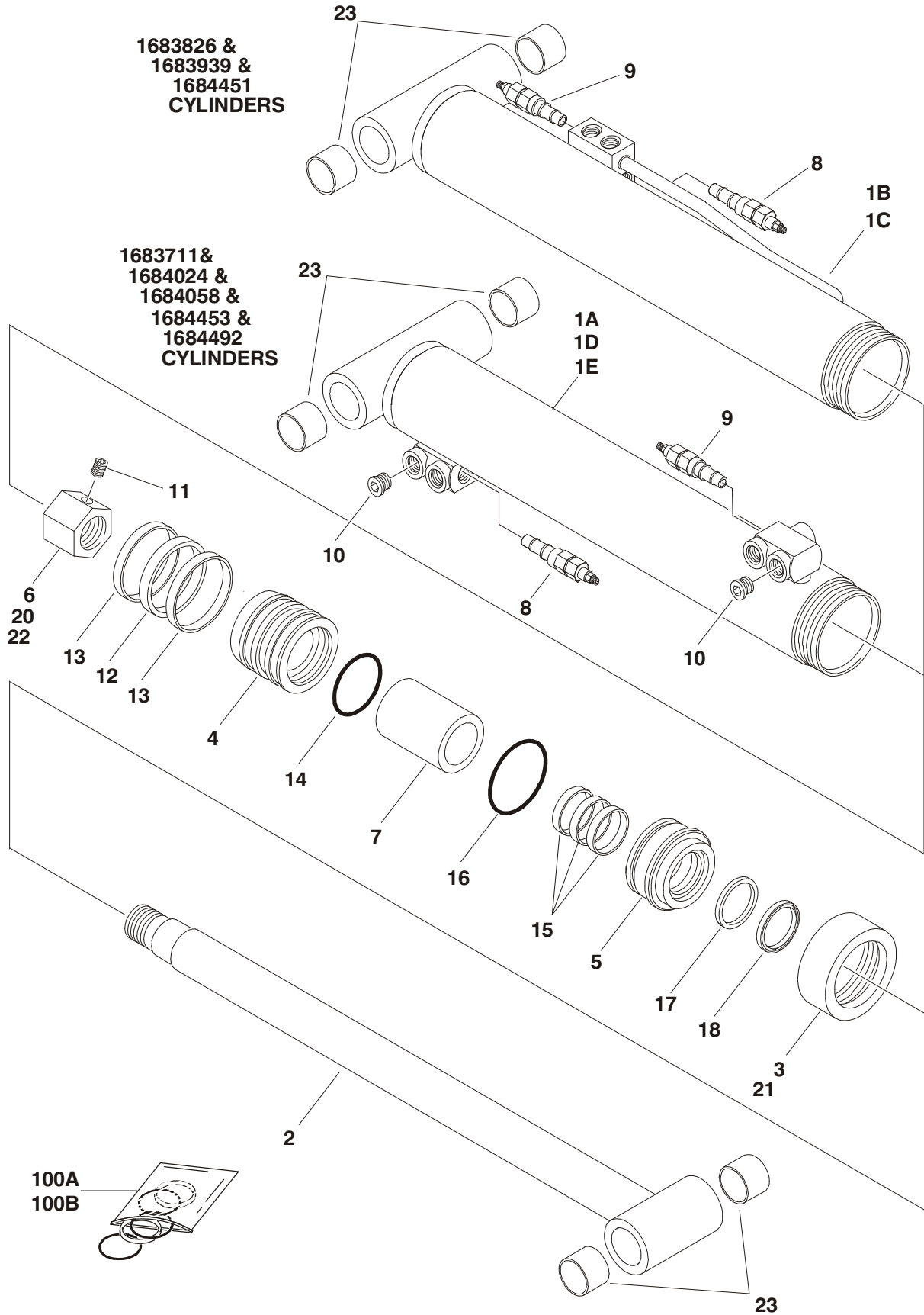
SECTION 5 CYLINDER

FIGURE 5-6. PLATFORM LEVEL CYLINDER ASSEMBLY - JIB (E/M450AJ & E/M400AJP) (S/N 0300163453 TO PRESENT)

ITEM #	PART NUMBER	QTY.	DESCRIPTION	REV.
	1001140279	Ref. Ref.	PLATFORM LEVEL CYLINDER ASSEMBLY Note: Original Equipment components may have been replaced with Service Replacement components part. Identify p/n stamped on cylinder before ordering parts.	A
1	70003846	1	Barrel	
2	70003847	1	Rod	
3	Not Used			
4	70003819	1	Piston	
5	7026082	1	Head	
6 to 7	Not Used			
8	0961951	4	Bushing	
9	Use 70003845	1	Seal	
10	Use 70003845	1	O-Ring	
11	Use 70003845	2	Ring, Wear	
12	Use 70003845	1	O-Ring	
13	Use 70003845	1	Ring, Back-up	
14	Use 70003845	1	Seal	
15	Use 70003845	1	Wiper	
16	70002217	1	Ring, Retaining	
17	7026084	1	O-Ring	
18 to 20	Not Used			
21	70002216	1	Retainer	
22	Not Used			
23	4640932	1	Cartridge, Counterbalance Valve	
	7011112	1	Seal Kit - 4640932 Valve	
24	4641086	1	Cartridge, Counterbalance Valve	
	2900792	1	Seal Kit - 4641086 Valve	
25	7024844	2	Plug	
26	See Note	2	Plug (Note: Not Available for Purchase)	
27	Not Used			
28	Use 70003845	1	O-Ring	
29 to 49	Not Used			
50	70003845	1	Seal Kit (Includes Items 9-15 & 28)	

SECTION 5 CYLINDER

FIGURE 5-7. LIFT CYLINDER ASSEMBLY - LOWER



SECTION 5 CYLINDER

FIGURE 5-7. LIFT CYLINDER ASSEMBLY - LOWER

ITEM #	PART NUMBER	QTY.	DESCRIPTION	REV.
		Ref.	LOWER LIFT CYLINDER ASSEMBLIES	
	1683711	Ref.	E/M450A (Prior to S/N 0300058843)	1/A
	1684058	Ref.	E/M450A (S/N 0300058843 to S/N 0300091053)	3/B
	1684492	Ref.	E/M450A (S/N 0300091053 to Present)	B
	1683826	Ref.	E/M450AJ (Prior to S/N 0300056571)	1/A
	1683939	Ref.	E/M450AJ (S/N 0300056571 to S/N 0300086022)	3/B
	1684451	Ref.	E/M450AJ (S/N 0300086022 to Present)	D
	1684024	Ref.	E/M400A (Prior to S/N 0300086022)	3/B
	1684453	Ref.	E/M400A (S/N 0300086022 to Present)	C
	1683939	Ref.	E/M400AJ (Prior to S/N 0300091053)	3/B
	1684451	Ref.	E/M400AJ (S/N 0300091053 to Present)	C
1		1	Barrel Weldment Options:	
1A	1683515		1683711 Cylinder (Note: Includes Item #23)	
1B	1683827		1683826 Cylinder (Note: Includes Item #23)	
1C	1683940		1683939 & 1684451 Cylinders	
1D	1684022		1684024 & 1684453 Cylinder	
1E	1684055		1684058 & 1684492 Cylinder	
2		1	Rod Weldment Options:	
	1683016		1683711 & 1683826 Cylinders (Note: Includes Item #23)	
	1683941		1683939, 1683941, 1684451 & 1684492 Cylinders	
	1684023		1684024 & 1684453 Cylinder	
3		1	Retainer Options:	
	1120094		1683711, 1683826, 1683939, 1684024, 1684451 & 1684058 Cylinders	
	1120305		1684024 & 1684453 Cylinder	
	1120407		1684492 Cylinder	
4		1	Piston Options:	
	3480241		1683711, 1683826, 1683939, 1684024, 1684492, 1684451 & 1684058 Cylinders	
	3480242		1684024 & 1684453 Cylinder	
5		1	Head Options:	
	1683710		1683711, 1683826, 1683939, 1684024, 1684492, 1684451 & 1684058 Cylinders	
	1683712		1684024 & 1684453 Cylinder	
6	3300281	1	Nut, Hex	
7		1	Spacer Options:	
	4566432		1683711, 1683826, 1683939, 1684024, 1684492, 1684451 & 1684058 Cylinders	
	4565992		1684024 & 1684453 Cylinder (Spacer)	
	4740207		1684024 & 1684453 Cylinder (Washer)	
8		1	Cartridge, Holding Valve Options:	
	4640816	1	Cartridge, Holding Valve For 1683711, 1683826, 1683939, 1684024 & 1684058 Cylinder	
	2900770	1	Seal Kit - 4640816 Valve	
	4641386	1	Cartridge, Holding Valve For 1684451, 1684453 & 1684492 Cylinder	
	7011376	1	Seal Kit - 4641386 Valve	
9	4640634	1	Cartridge, Holding Valve	
	2900770	1	Seal Kit - 4640634 Valve	

SECTION 5 CYLINDER

FIGURE 5-7. LIFT CYLINDER ASSEMBLY - LOWER (CONTINUED)

ITEM #	PART NUMBER	QTY.	DESCRIPTION	REV.
10		A/R	Plug Options:	
	2220885	2	1683711, 1684024, 1684058, 1684453 & 1684492 Cylinders	
	Not Required	0	1683826, 1683939 & 1684451 Cylinders	
11	3900170	1	Setscrew	
12	See Note	1	Seal, Piston (Note: Use Items 100A & 100B)	
13	See Note	2	Ring, Wear (Note: Use Items 100A & 100B)	
14	See Note	1	O-Ring (Note: Use Items 100A & 100B)	
15	See Note	3	Ring, Wear (Note: Use Items 100A & 100B)	
16	See Note	1	O-Ring (Note: Use Items 100A & 100B)	
	Use 2901805	1	Ring, Back-up (1684024 Cylinder Only)	
17	See Note	1	Seal, Rod (Note: Use Items 100A & 100B)	
18	See Note	1	Wiper, Rod (Note: Use Items 100A & 100B)	
19	Not Used			
20	0100011	A/R	Compound, Locking	
21	0100035	A/R	Compound, Locking	
22	0100038	A/R	Primer, Locking	
23		4	Bushing Options:	
	0961726		1683711 & 1683826 Cylinders	
	0961950		1683939, 1684024, 1684058, 1684551, 1684453 & 1684492 Cylinders	

100		1	Seal Kit Options (Includes Items 12-18):	
100A	2901806		1683711, 1683826, 1683939, 1684492, 1684451 & 1684058 Cylinders	
100B	2901805		1684024 & 1684453 Cylinders	

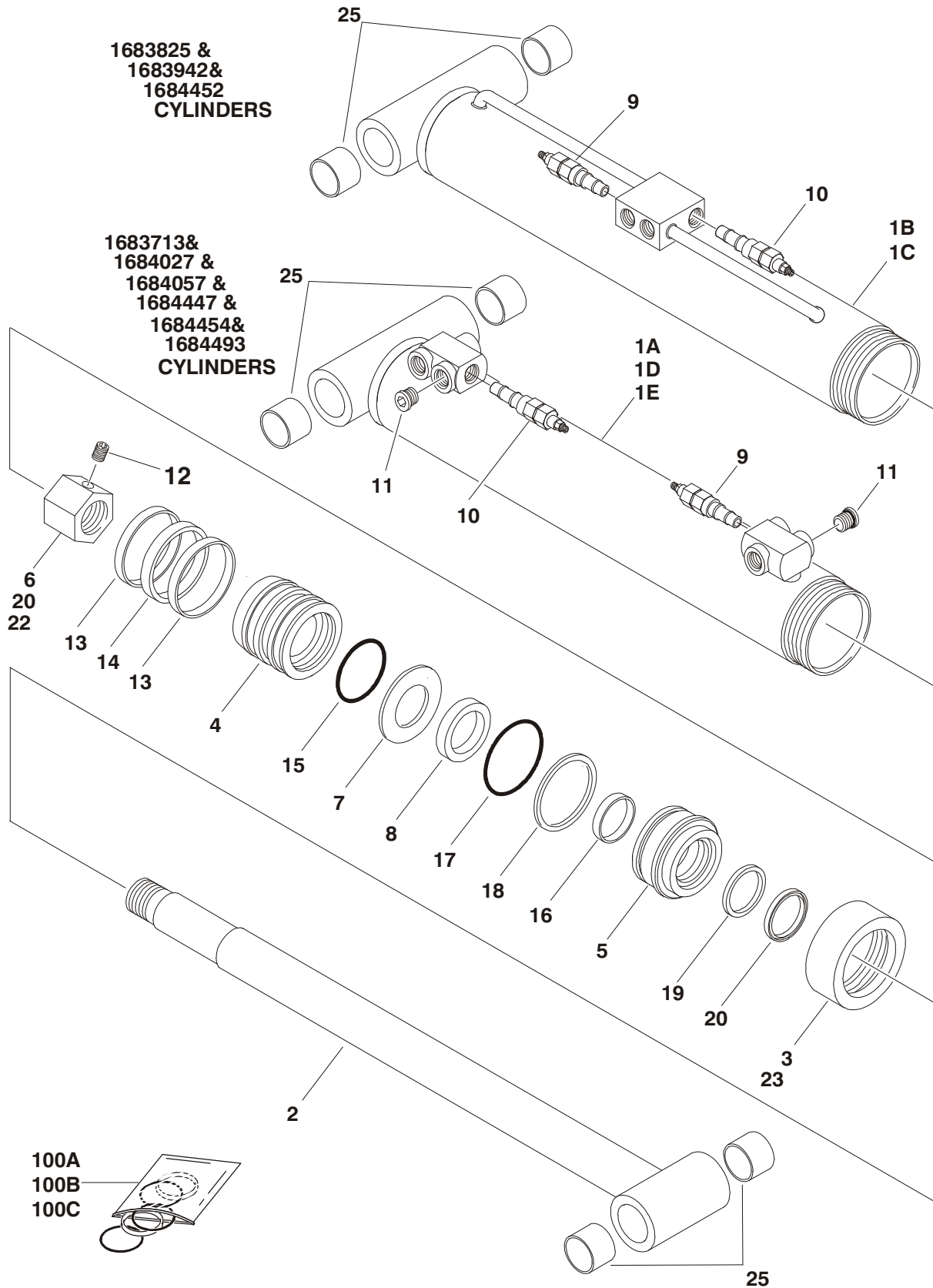
SECTION 5 CYLINDER

FIGURE 5-7. LIFT CYLINDER ASSEMBLY - LOWER (CONTINUED)

ITEM #	PART NUMBER	QTY.	DESCRIPTION	REV.

SECTION 5 CYLINDER

FIGURE 5-8. LIFT CYLINDER ASSEMBLY - MID



SECTION 5 CYLINDER

FIGURE 5-8. LIFT CYLINDER ASSEMBLY - MID

ITEM #	PART NUMBER	QTY.	DESCRIPTION	REV.
		Ref.	MID LIFT CYLINDER ASSEMBLY	
	1683713	Ref.	E/M450A Prior to S/N 0300058843	1/A
	1684057	Ref.	E/M450A S/N 0300058843 to S/N 0300091053	3/B
	1684493	Ref.	E/M450A S/N 0300091053 to Present	B
	1683825	Ref.	E/M450AJ Prior to S/N 0300056571	1/A
	1683942	Ref.	E/M450AJ S/N 0300056571 to S/N 0300086022	3/C
	1684452	Ref.	E/M450AJ S/N 0300086022 to Present	C
	1684027	Ref.	E/M400A Prior to S/N 0300080496	1/A
	1684447	Ref.	E/M400A S/N 0300080496 to S/N 0300086022	B
	1684454	Ref.	E/M400A S/N 0300086022 to Present	A
	1683942	Ref.	E/M400AJP (Prior to S/N 0300091053)	3/C
	1684452	Ref.	E/M400AJP (S/N 0300091053 to Present)	C
1		1	Barrel Weldment Options:	
1A	1683516		1683713 Cylinder (Note: Includes Item #25)	
1B	1683829		1683825 Cylinder (Note: Includes Item #25)	
1C	1683943		1683942 & 1684452 Cylinders	
1D	1684025		1684027 & 1684447 & 1684454 Cylinders	
1E	1684056		1684057 & 1684493 Cylinder	
2		1	Rod Weldment Options:	
	1683021		1683713 & 1683825 Cylinders (Note: Includes Item #25)	
	1683944		1683942, 1684057, 1684452 & 1684493 Cylinders	
	1684026		1684027 & 1684447 & 1684454 Cylinders	
3		1	Retainer Options:	
	1120305		1683713, 1684057, 1683825, 1683942 & 1684452 Cylinders	
	1120108		1684027, 1684447 & 1684454 Cylinder	
	1120375		1684493 Cylinder	
4		1	Piston Options:	
	3480242		1683713, 1684057, 1683825, 1683942, 1684452 & 1684493 Cylinders	
	Use 3480240		1684027 Cylinder (Not Shown) (was p/n 3480115) Note: When replacing the piston you must order seal kit p/n 2902419 separate from piston.	
	3480240		1684447 & 1684454 Cylinder (Not Shown)	
5		1	Head Options:	
	1683712		1683713, 1684057, 1683825, 1683942, 1684452 & 1684493 Cylinders	
	1681344		1684027, 1684447 & 1684454 Cylinder	
6		1	Nut, Hex Options:	
	3300281		1683713, 1684057, 1683825, 1683942, 1684452 & 1684493 Cylinders	
	3300279		1684027, 1684447 & 1684454 Cylinder	
7		1	Washer Options:	
	4740207		1683713, 1684057, 1683825, 1683942, 1684452 & 1684493 Cylinders	
	4740394		1684027, 1684447 & 1684454 Cylinder	

SECTION 5 CYLINDER

FIGURE 5-8. LIFT CYLINDER ASSEMBLY - MID (CONTINUED)

ITEM #	PART NUMBER	QTY.	DESCRIPTION	REV.
8	4566435	1	Spacer Options: 1683713, 1684057, 1683825, 1683942, 1684452 & 1684493 Cylinders	
	4565994		1684027, 1684447 & 1684454 Cylinders	
	3951402	1	Setscrew 1/4in-20NC x 1/4in (1684027, 1684447 & 1684454 Cylinder Only)	
9	4640634	1	Cartridge, Holding Valve	
	2900770	1	Seal Kit - 4640634 Valve	
10		1	Cartridge, Holding Valve Options:	
	4640816	1	Cartridge, Holding Valve For 1683713, 1683825, 1683942, 1684027, 1684056 & 1684447 Cylinders	
	2900770	1	Seal Kit - 4640816 Valve	
	4641386	1	Cartridge, Holding Valve For 1684452, 1684454 & 1684493 Cylinder	
	7011376	1	Seal Kit - 464136 Valve	
11		A/R	Plug Options:	
	2220885	2	1683713, 1684027, 1684057, 1684447, 1684454 & 1684493 Cylinders	
	Not Required	1	1683825, 1683942 & 1684452 Cylinders	
12	3900170	2	Setscrew	
13	See Note		Ring (Note: Use Items 100A, 100B & 100C)	
14	See Note	A/R	Seal, Piston (Note: Use Items 100A, 100B & 100C)	
15	See Note	1	O-Ring (Note: Use Items 100A, 100B & 100C)	
16	See Note	1	Ring, Wear (Note: Use Items 100A, 100B & 100C)	
17	See Note	1	O-Ring (Note: Use Items 100A, 100B & 100C)	
18	See Note	1	Ring, Back-up (All except 1684027, 1684447 & 1684454 Cylinders) (Note: Use Items 100B & 100C)	
19	See Note	1	Seal, Rod (Note: Use Items 100A, 100B & 100C)	
20	See Note	1	Wiper, Rod (Note: Use Items 100A, 100B & 100C)	
21	0100011	A/R	Compound, Locking	
22	0100035	A/R	Compound, Locking	
23	0100038	A/R	Primer, Locking	
24	Not Used			
25		4	Bushing Options:	
	0961726		1683713 & 1683825 Cylinders	
	0961950		1683942, 1684027, 1684057, 1684447, 1684452, 1684454 & 1684493 Cylinders	
100		1	Seal Kit Options (Includes Items 13-20):	
100A	2901805		All Cylinders except 1684027, 16844447 & 1684454	
100B	Use 2902419		1684027 Cylinder (was p/n 2900371) Note: If piston has not been replaced before, order piston p/n 3480240 also. Old style piston and seal kit must be replaced.	
100C	2902419		1684447 & 1684454 Cylinders	

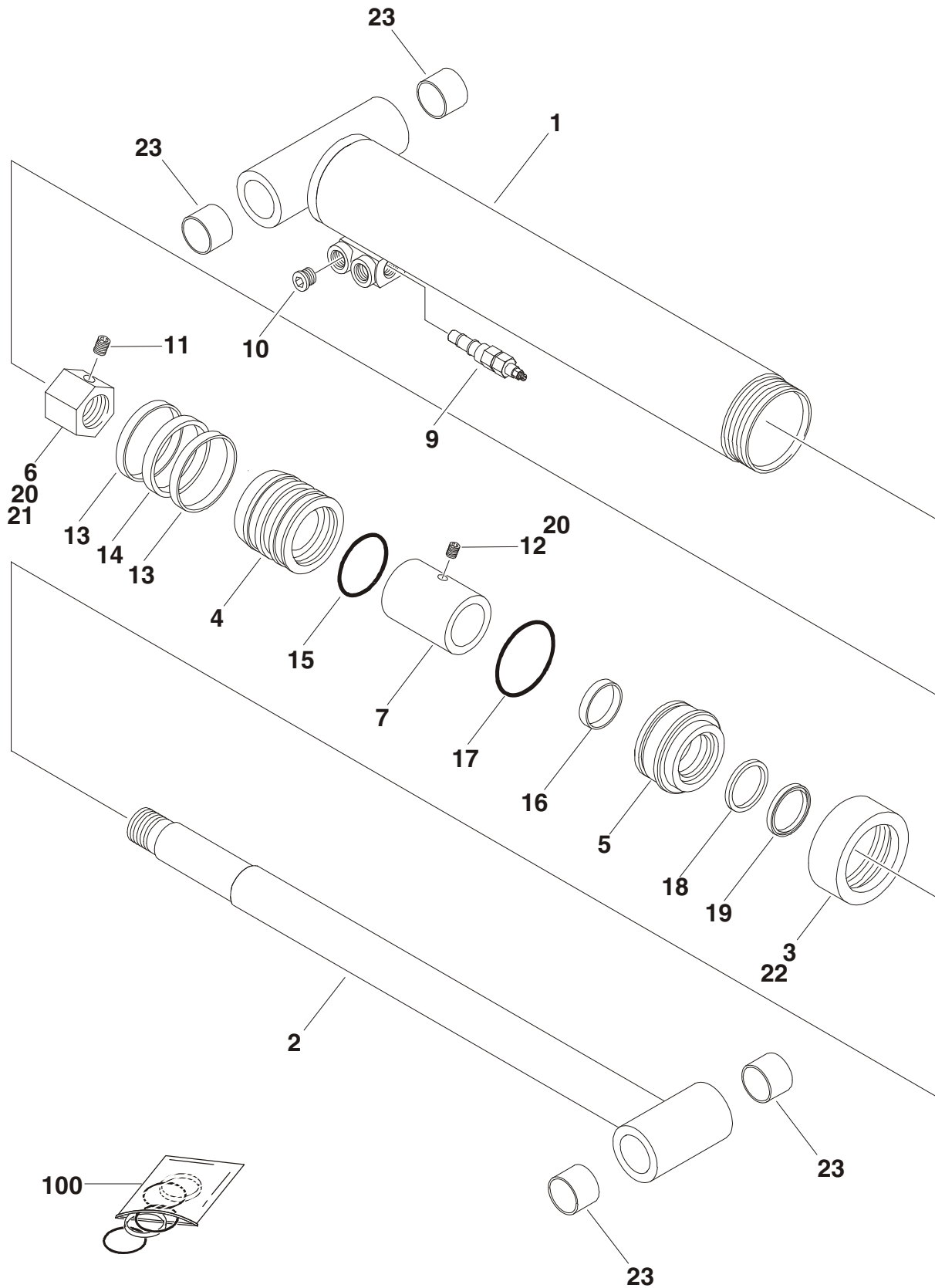
SECTION 5 CYLINDER

FIGURE 5-8. LIFT CYLINDER ASSEMBLY - MID (CONTINUED)

ITEM #	PART NUMBER	QTY.	DESCRIPTION	REV.

SECTION 5 CYLINDER

FIGURE 5-9. LIFT CYLINDER ASSEMBLY - UPPER



SECTION 5 CYLINDER

FIGURE 5-9. LIFT CYLINDER ASSEMBLY - UPPER

ITEM #	PART NUMBER	QTY.	DESCRIPTION	REV.
		Ref.	UPPER LIFT CYLINDER ASSEMBLIES	
	1683708	Ref.	E/M450A Prior to S/N 0300058843	2/B
	1684061	Ref.	E/M450A S/N 0300058843 to Present	5/F
	1683813	Ref.	E/M450AJ Prior to S/N 0300056571	1/A
	1683945	Ref.	E/M450AJ S/N 0300056571 to Present	4/F
	1684033	Ref.	E/M400A Prior to S/N 0300073768	1/A
	1684061	Ref.	E/M400A S/N 0300073768 to Present)	5/F
	1683945	Ref.	E/M400AJP	4/F
1		1	Barrel Weldment Options:	
	1683514		1683708 Cylinder (Note: Includes Item #23)	
	1683815		1683713 Cylinder (Note: Includes Item #23)	
	1683946		1683945 Cylinder	
	1684031		1684033 Cylinder	
	1684060		1684061 Cylinder	
2		1	Rod Weldment Options:	
	1683505		1683708 Cylinder (Note: Includes Item #23)	
	1683817		1683713 Cylinder (Note: Includes Item #23)	
	1683947		1683945 Cylinder	
	1684032		1684033 Cylinder	
	1684059		1684061 Cylinder	
3	1120108	1	Cap, End	
4	3480240	1	Piston	
5	1683709	1	Head	
6		1	Nut, Hex Options:	
	3300315		1683708, 1684033 & 1684061Cylinders	
	3300279		1683713 & 1683945 Cylinder	
7		1	Spacer, Tube Options:	
	4567177		1683708, 1684033 & 1684061Cylinders	
	4567908		1683713 & 1683945 Cylinders	
8	Not Used			
9	4640936	1	Cartridge, Valve	
	2900770	1	Seal Kit - 4640936 Valve	
10	2220885	4	Plug, O-Ring	
11	3900170	1	Setscrew	
12		1	Setscrew Options:	
	3951402		1683708, 1684033 & 1684061Cylinders	
	3900142		1683713 & 1683945 Cylinders	
13	Use 2901804	2	Ring, Wear	
14	Use 2901804	1	Seal	
15	Use 2901804	1	O-Ring	
16	Use 2901804	1	Ring, Wear	
17	Use 2901804	1	O-Ring	
18	Use 2901804	1	Seal	
19	Use 2901804	1	Wiper	
20	0100011	A/R	Compound, Locking	
21	0100038	A/R	Primer, Locking	
22	0100035	A/R	Compound, Locking	

SECTION 5 CYLINDER

FIGURE 5-9. LIFT CYLINDER ASSEMBLY - UPPER (CONTINUED)

ITEM #	PART NUMBER	QTY.	DESCRIPTION	REV.
23	0961726 0961950	4	Bushing Options: 1683708, 1683813 & 1684061 Cylinders 1683945 & 1684033 Cylinders -----	
100	2901804	1	Seal Kit (Includes Items 13-19)	

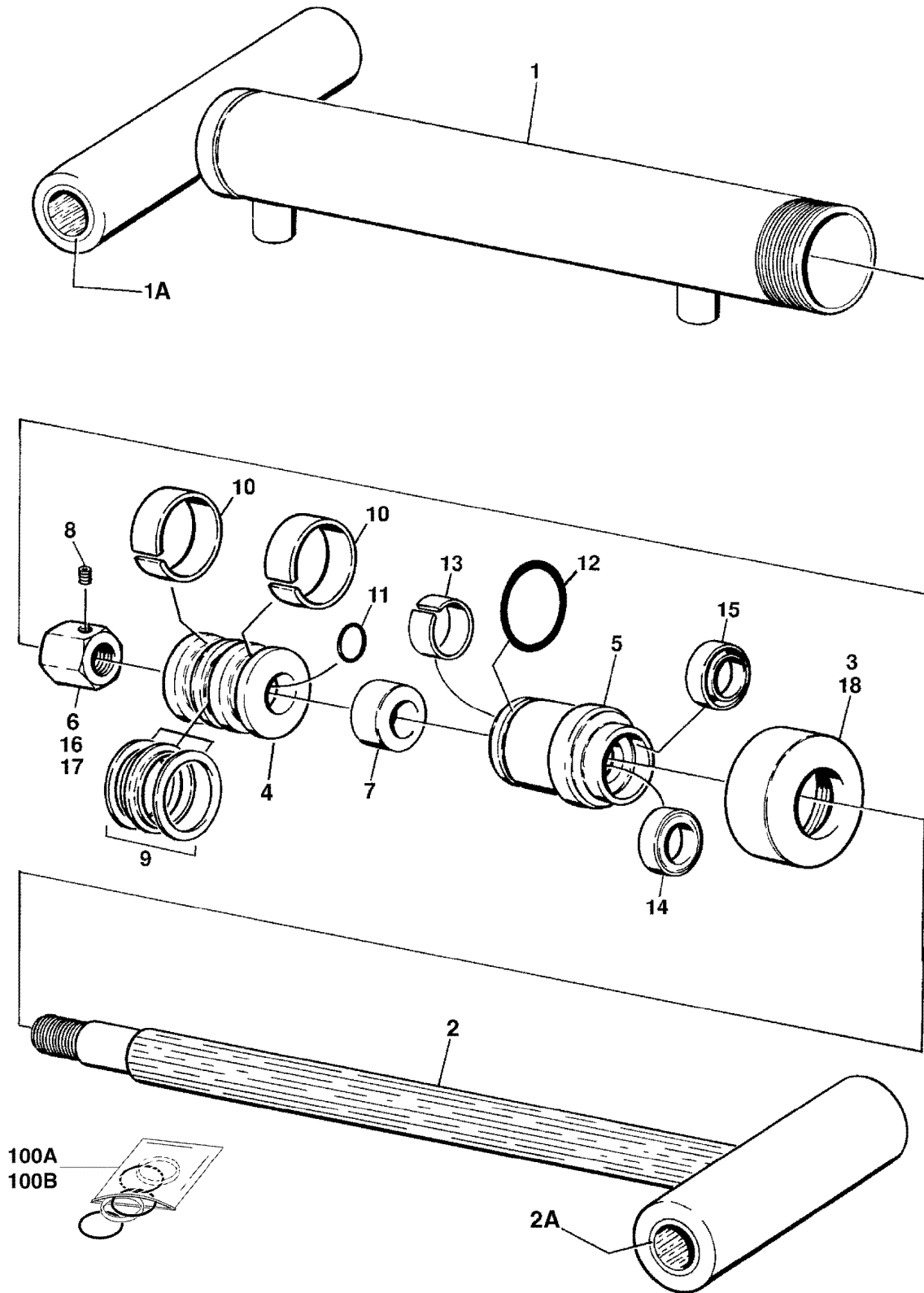
SECTION 5 CYLINDER

FIGURE 5-9. LIFT CYLINDER ASSEMBLY - UPPER (CONTINUED)

ITEM #	PART NUMBER	QTY.	DESCRIPTION	REV.

SECTION 5 CYLINDER

FIGURE 5-10. MASTER CYLINDER ASSEMBLY (E/M450A & E/M400A) (PRIOR TO S/N 0300165128)



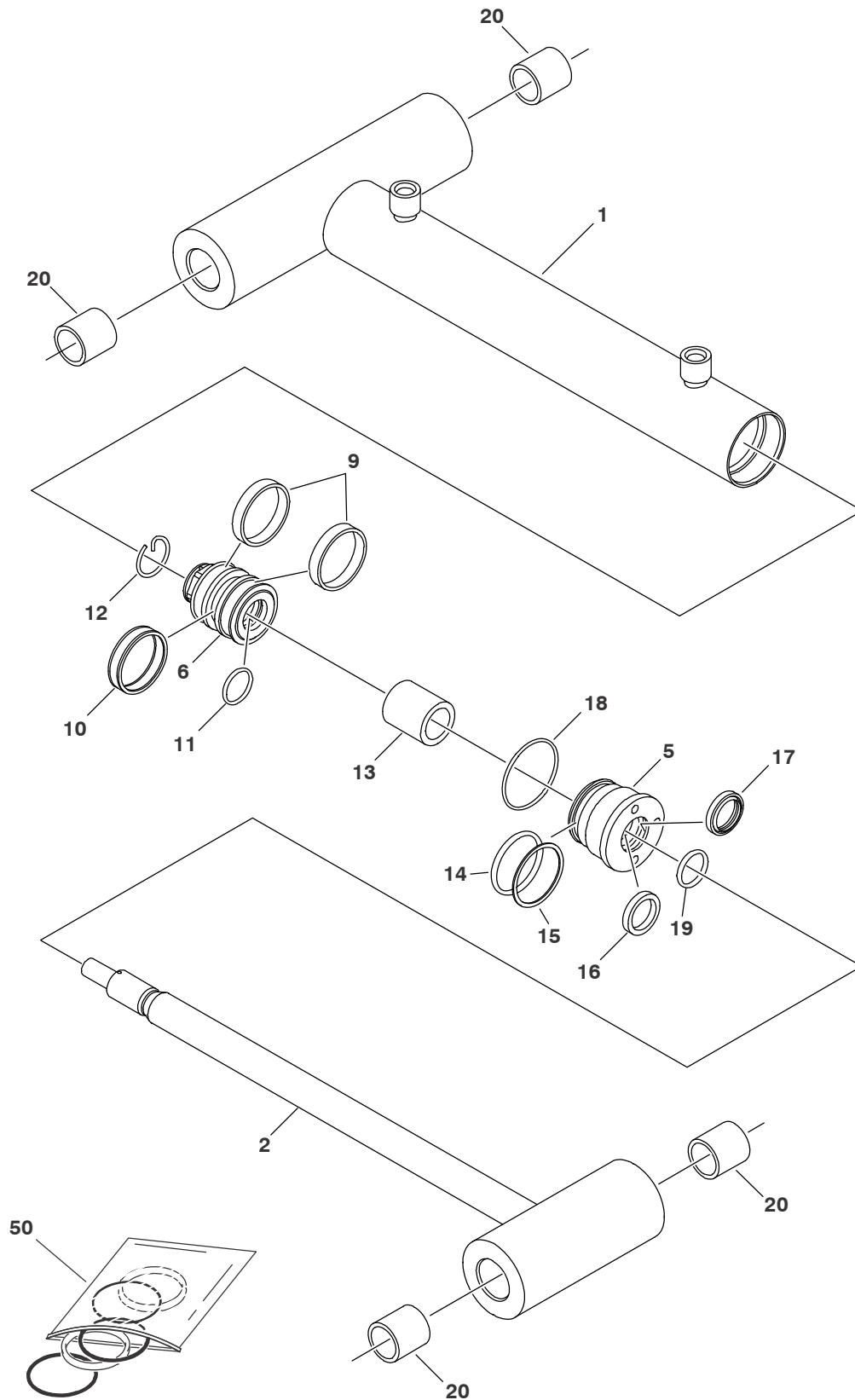
SECTION 5 CYLINDER

FIGURE 5-10. MASTER CYLINDER ASSEMBLY (E/M450A & E/M400A) (PRIOR TO S/N 0300165128)

ITEM #	PART NUMBER	QTY.	DESCRIPTION	REV.
		Ref.	MASTER CYLINDER ASSEMBLY	
	1683325	Ref.	Prior to S/N 0300056894	1/A
	1683932	Ref.	S/N 0300056894 to Present	G
		Ref.	Note: Original Equipment components may have been replaced with Service Replacement components part. Identify p/n stamped on cylinder before ordering parts.	
1		1	Barrel Weldment Options: Prior to S/N 0300056894 S/N 0300056894 to Present	
1A	1682879 1684002	2	Bushing Option: Prior to S/N 0300056894 S/N 0300056894 to Present	
2	0961608 0962356	1	Rod Weldment Options: Prior to S/N 0300056894 S/N 0300056894 to Present	
2A	1682886 1684007	2	Bushing Options: Prior to S/N 0300056894 S/N 0300056894 to Present	
3	0961608 0962356	1	Retainer	
4	1120110	1	Piston Options: Prior to S/N 0300056894 S/N 0300056894 to Present	
5	3480217 3480261	1	Head Options: Prior to S/N 0300056894 S/N 0300056894 to Present	
6	1682154 1683934	1	Nut, Hex	
7	3300308	1	Spacer, Tube Options: Prior to S/N 0300056894 S/N 0300056894 to Present	
8	4566023	1	Setscrew 3/8in-16NC x 3/8in	
9	4568136	1	T-Seal (Note: Use Items 100A & 100B)	
10	3900170	A/R	Ring, Wear (Note: Use Items 100A & 100B)	
11	See Note	1	Prior to S/N 0300056894	
12	See Note	2	S/N 0300056894 to Present	
13	See Note	1	O-Ring (Note: Use Items 100A & 100B)	
14	See Note	1	O-Ring (Note: Use Items 100A & 100B)	
15	See Note	1	Ring, Wear (Note: Use Items 100A & 100B)	
16	See Note	1	Seal, Rod (Note: Use Items 100A & 100B)	
17	See Note	1	Wiper, Rod (Note: Use Items 100A & 100B)	
18	0100038	A/R	Primer, Locking	
19	0100011	A/R	Compound, Locking	
20	0100035	A/R	Compound, Locking	
100		1	----- Seal Kit - Cylinder Options (Includes Items 9-15):	
100A	2901147		Level Cylinder p/n 1683325	
100B	2901902		Level Cylinder p/n 1683932	

SECTION 5 CYLINDER

FIGURE 5-11. MASTER CYLINDER ASSEMBLY (E/M450A & E/M400A) (S/N 0300165128 TO PRESENT)



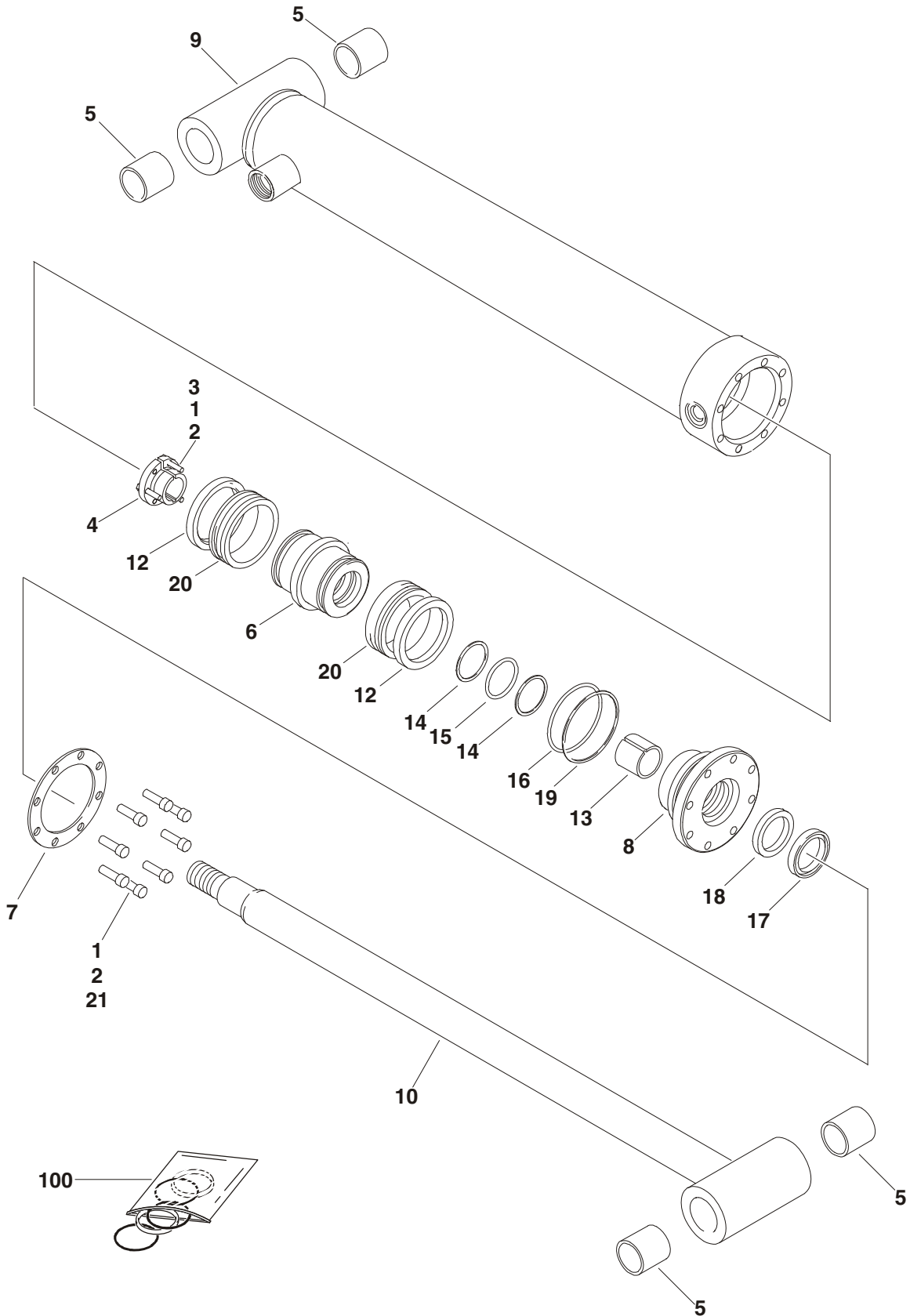
SECTION 5 CYLINDER

FIGURE 5-11. MASTER CYLINDER ASSEMBLY (E/M450A & E/M400A) (S/N 0300165128 TO PRESENT)

ITEM #	PART NUMBER	QTY.	DESCRIPTION	REV.
	1001140597	Ref. Ref.	MASTER CYLINDER ASSEMBLY Note: Original Equipment components may have been replaced with Service Replacement components part. Identify p/n stamped on cylinder before ordering parts.	A
1	70004144	1	Barrel	
2	70004145	1	Rod	
3 to 4	Not Used			
5	70000739	1	Head	
6	70004141	1	Piston	
7 to 8	Not Used			
9	Use 70004130	2	Ring, Wear	
10	Use 70004130	1	Seal	
11	70023094	1	O-Ring	
12	70004142	1	Retainer	
13	70004143	1	Spacer	
14	Use 70004130	1	O-Ring	
15	Use 70004130	1	Ring, Back-up	
16	Use 70004130	1	Seal	
17	Use 70004130	1	Wiper	
18	Use 70004130	1	O-Ring	
19	70000740	1	O-Ring	
20	0962356	4	Bushing	
21 to 49	Not Used			
50	70004130	1	Seal Kit (Includes Items 9-11 & 14-18)	

SECTION 5 CYLINDER

FIGURE 5-12. MASTER CYLINDER ASSEMBLY (E/M450AJ & E/M400AJP) (PRIOR TO S/N 0300163453)



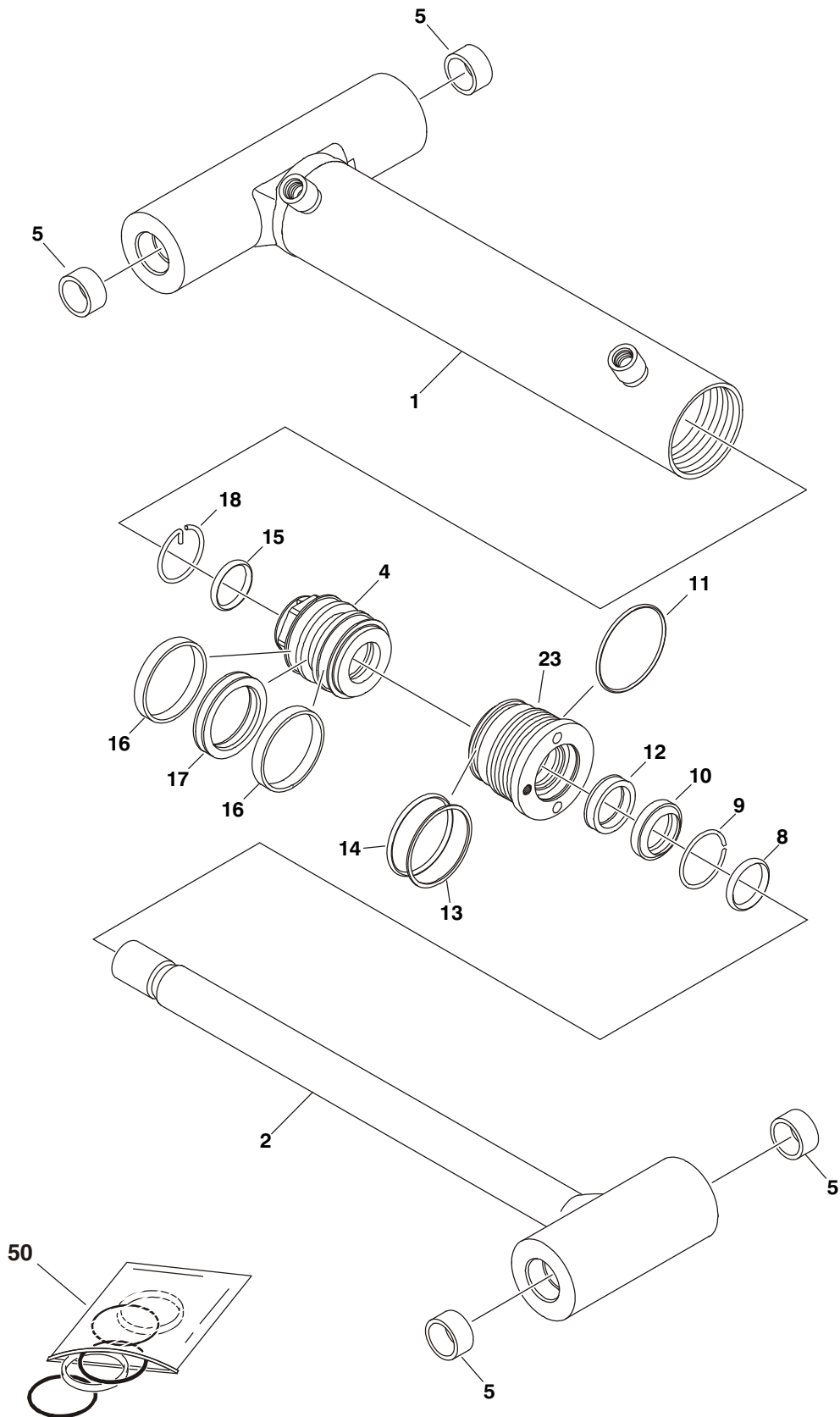
SECTION 5 CYLINDER

FIGURE 5-12. MASTER CYLINDER ASSEMBLY (E/M450AJ & E/M400AJ) (PRIOR TO S/N 0300163453)

ITEM #	PART NUMBER	QTY.	DESCRIPTION	REV.
	1683923	Ref.	MASTER CYLINDER ASSEMBLIES	E
		Ref.		
1	0100011	A/R	Compound, Locking	
2	0100038	A/R	Primer, Locking	
3	3931016	3	Bolt Socket Head #10-24NC x 1in	
4	0962185	1	Tapered Bushing	
5	0961951	4	Bushing, Garmax	
6	3480259	1	Piston	
7	3760368	1	Washer, Ring	
8	1683925	1	Head	
9	1683756	1	Barrel	
10	1683772		Rod	
11	Not Used			
12	Use 2901898	2	Ring, Lock	
13	Use 2901898	1	Ring, Wear	
14	Use 2901898	2	Ring, Back-Up	
15	Use 2901898	1	O-Ring	
16	Use 2901898	1	O-Ring	
17	Use 2901898	1	Wiper	
18	Use 2901898	1	Seal	
19	Use 2901898	1	Ring, Back-Up	
20	Use 2901898	2	Seal	
21	3931516	8	Bolt Socket Head 5/16in-18NC x 1in	
100	2901898	1	----- Seal Kit (Includes Items 12-20)	

SECTION 5 CYLINDER

FIGURE 5-13. MASTER CYLINDER ASSEMBLY (E/M450AJ & E/M400AJP) (S/N 0300163453 TO PRESENT)



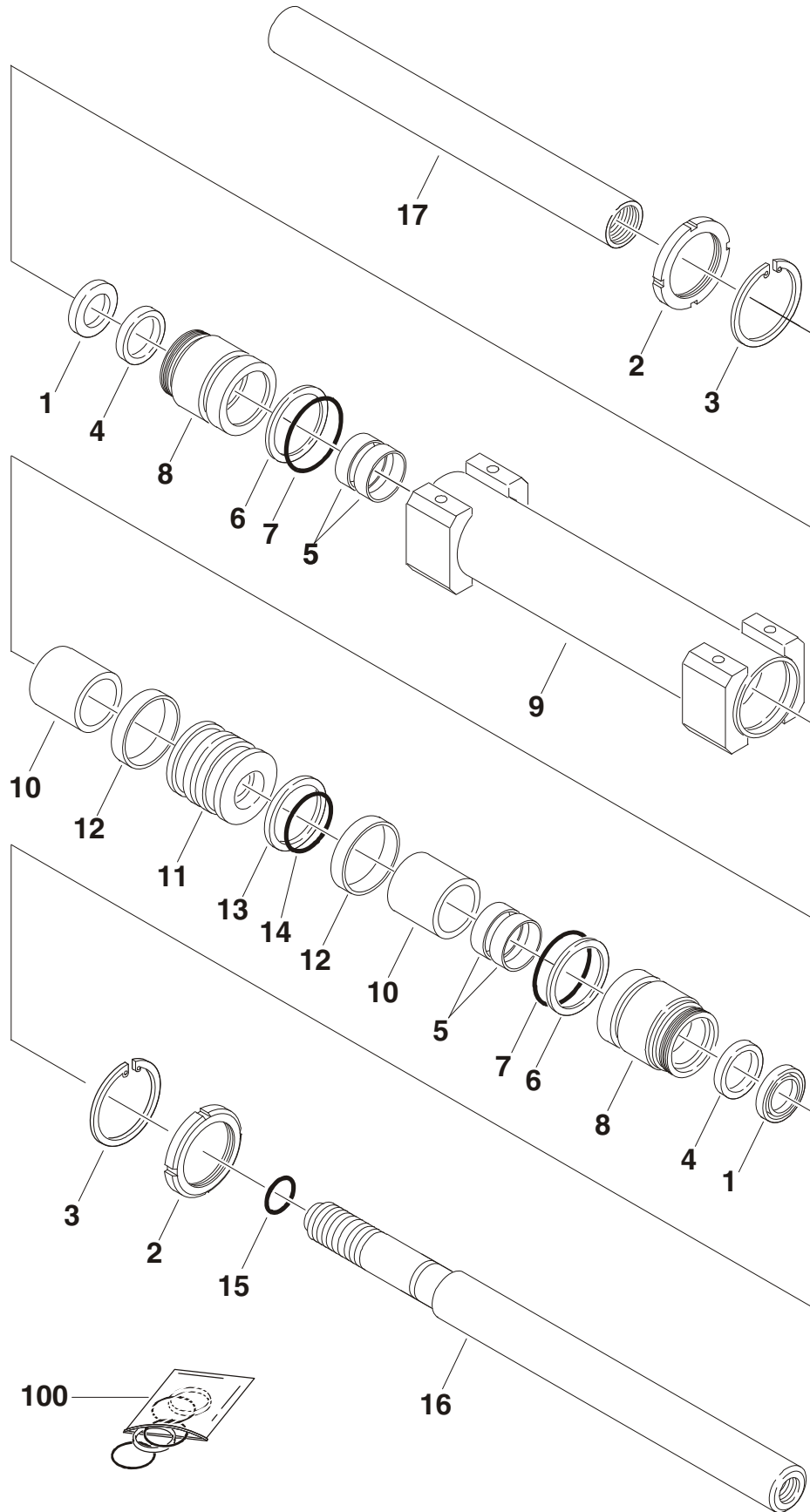
SECTION 5 CYLINDER

FIGURE 5-13. MASTER CYLINDER ASSEMBLY (E/M450AJ & E/M400AJP) (S/N 0300163453 TO PRESENT)

ITEM #	PART NUMBER	QTY.	DESCRIPTION	REV.
	1001140278	Ref. Ref.	MASTER CYLINDER ASSEMBLIES Note: Original Equipment components may have been replaced with Service Replacement components part. Identify p/n stamped on cylinder before ordering parts.	A
1	70003843	1	Barrel	
2	70003844	1	Rod	
3	Not Used			
4	70003819	1	Piston	
5	0961951	4	Bushing	
6 to 7	Not Used			
8	7026084	1	O-Ring	
9	70002217	1	Ring, Retaining	
10	Use 70003845	1	Wiper	
11	Use 70003845	1	O-Ring	
12	Use 70003845	1	Seal	
13	Use 70003845	1	Ring, Back-up	
14	Use 70003845	1	O-Ring	
15	Use 70003845	1	O-Ring	
16	Use 70003845	2	Ring, Wear	
17	Use 70003845	1	Seal	
18	70002216	1	Retainer	
19 to 22	Not Used			
23	7026082	1	Head	
24 to 49	Not Used			
50	70003845	1	Seal Kit (Includes Items 10-17)	

SECTION 5 CYLINDER

FIGURE 5-14. STEER CYLINDER ASSEMBLY



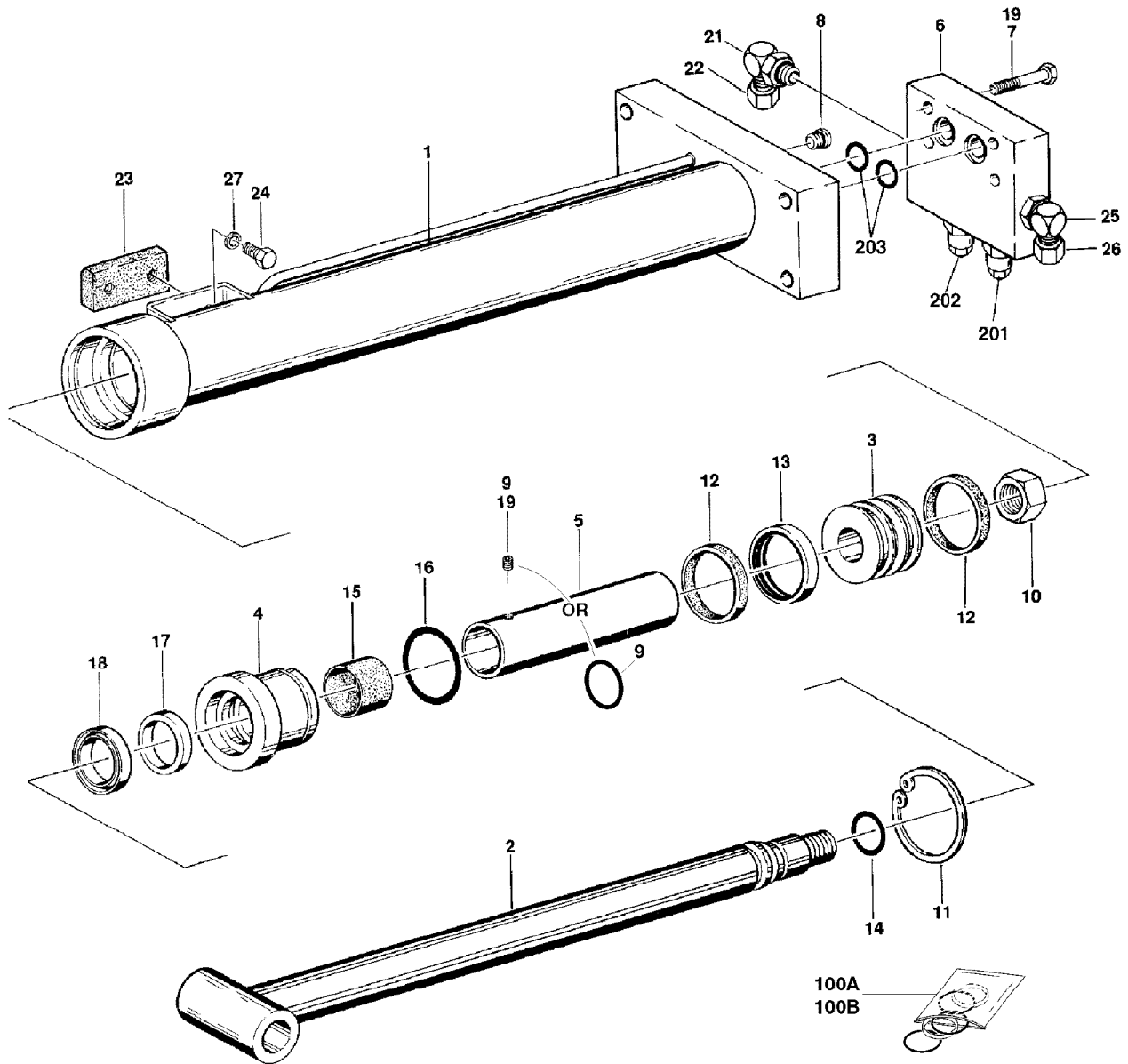
SECTION 5 CYLINDER

FIGURE 5-14. STEER CYLINDER ASSEMBLY

ITEM #	PART NUMBER	QTY.	DESCRIPTION	REV.
	1683591	Ref.	STEER CYLINDER ASSEMBLY	B
1	Use 7017246	2	Wiper	
2	7001630	2	Nut, Spanner	
3	7017247	2	Ring, Retaining	
4	Use 7017246	2	Seal, Lip	
5	Use 7017246	4	Ring, Wear	
6	Use 7017246	2	Ring, Back-up	
7	Use 7017246	2	O-Ring	
8	7017248	2	Guide	
9	70003341	1	Barrel Weldment	
10	7017249	2	Tube	
11	7017250	1	Piston	
12	Use 7017246	2	Ring, Wear	
13	Use 7017246	1	Seal	
14	Use 7017246	1	O-Ring	
15	Use 7017246	1	O-Ring	
16	7017251	1	Rod (Male End)	
17	7017252	1	Rod (Female End)	
100	7017246	1	----- Seal Kit (Includes Items 1, 4-7 & 12-15)	

SECTION 5 CYLINDER

FIGURE 5-15. TELESCOPE CYLINDER ASSEMBLY (E/M400A, E/M450A & E/M450AJ)



SECTION 5 CYLINDER

FIGURE 5-15. TELESCOPE CYLINDER ASSEMBLY (E/M400A, E/M450A & E/M450AJ)

ITEM #	PART NUMBER	QTY.	DESCRIPTION	REV.
		Ref.	TELESCOPE CYLINDER ASSEMBLY	
	1683704	Ref.	E/M450A	D
	1683798	Ref.	E/M450AJ	E
	1684030	Ref.	E/M400A	B
1		1	Barrel Weldment Options:	
	1682948		E/M450A	
	1683800		E/M450AJ	
	1682888		E/M400A	
2		1	Rod Weldment Options:	
	1683706		E450A & M450A	
	1683802		E450AJ & M450AJ	
	1684029		E/M400A	
3	3480239	1	Piston	
4	1683705	1	Head	
5		1	Spacer, Tube Options:	
	4567704		E/M450A & E/M400A	
	4566027		E/M450AJ	
6	4640807	1	Counterbalance Valve Assy (See Items 201-203 for Breakdown)	
7	0641512	4	Bolt 5/16in-18NC x 1-1/2in	
8	2220883	2	Plug, O-Ring	
9	3951402	1	Setscrew 1/4in-20NC x 1/4in	
	See Note	1	O-Ring (Note: Use Item 100B)	
10	3322205	1	Locknut	
11	3760318	1	Ring, Retaining	
12	See Note	2	Ring, Wear (Note: Use Item 100A or 100B)	
13	See Note	1	Seal, Cap (Note: Use Item 100A or 100B)	
14	See Note	1	O-Ring (Note: Use Item 100A or 100B)	
15	See Note	1	Ring, Wear (Note: Use Item 100A or 100B)	
16	See Note	1	O-Ring (Note: Use Item 100A or 100B)	
17	See Note	1	Seal, Rod (Note: Use Item 100A or 100B)	
18	See Note	1	Wiper (Note: Use Item 100A or 100B)	
19	0100011	A/R	Compound, Locking	
	0100038	A/R	Primer, Locking	
20	Not Used			
21	2220628	1	Fitting, 90°	
22	2220516	1	Fitting, Cap	
23	3340679	1	Wear Pad Assembly	
24	0641604	2	Bolt 3/8in-16NC x 1/2in	
25	2220596	1	Fitting, 90°	
26	2220517	1	Fitting, Cap	
27	4761600	2	Lockwasher 3/8in	

100		1	Seal Kit Options:	
100A	2901807	1	Seal Kit (Includes Items 12-18) (Telescope Cylinder p/n 1683704 & p/n 1684030)	
100B	1001141760	1	Seal Kit (Includes Items 12-18 & 9) (Telescope Cylinder p/n 1683798)	

SECTION 5 CYLINDER

FIGURE 5-15. TELESCOPE CYLINDER ASSEMBLY (E/M400A, E/M450A & E/M450AJ)

ITEM #	PART NUMBER	QTY.	DESCRIPTION	REV.
	4640807	Ref.	COUNTERBALANCE VALVE ASSEMBLY	D
201	4640771	1	Cartridge, Counterbalance	
	2900770	1	Seal Kit - 4640771 Cartridge	
202	4640709	1	Cartridge, Vented Counterbalance	
	2900770	1	Seal Kit - 4640709 Cartridge	
203	3790113	2	O-Ring (Between Valve and Cylinder Block)	

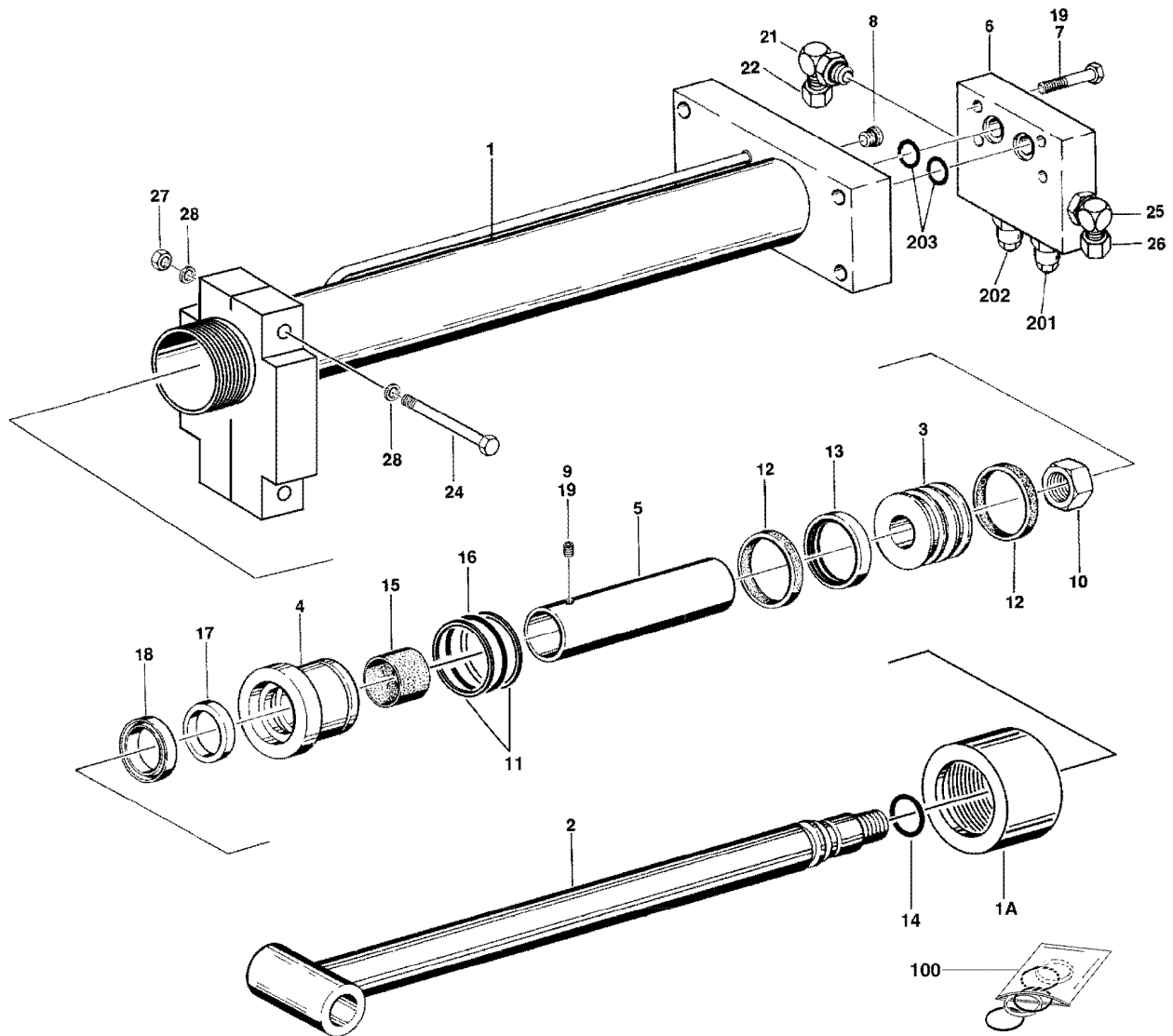
SECTION 5 CYLINDER

FIGURE 5-15. TELESCOPE CYLINDER ASSEMBLY (E/M400A, E/M450A & E/M450AJ)

ITEM #	PART NUMBER	QTY.	DESCRIPTION	REV.

SECTION 5 CYLINDER

FIGURE 5-16. TELESCOPE CYLINDER ASSEMBLY (E/M400AJP ONLY)



SECTION 5 CYLINDER

FIGURE 5-16. TELESCOPE CYLINDER ASSEMBLY (E/M400AJP ONLY)

ITEM #	PART NUMBER	QTY.	DESCRIPTION	REV.
	1683911	Ref.	TELESCOPE CYLINDER ASSEMBLY	4/C
1	1683912	1	Barrel Weldment	
1A	1120110	1	Cap, End	
	0100035	A/R	Compound, Locking (Note: Not Included with Barrel Weldment)	
2	1683980	1	Rod Weldment	
3	3480239	1	Piston	
4		1	Head	
	Use 1683584		Prior to S/N 0300122425 (was p/n 1683863)	
	1683584		S/N 0300122425 to Present	
5	4567963	1	Spacer, Tube	
6	4640807	1	Counterbalance Valve Assembly (See Items 201-203 for Breakdown)	
7	0641512	4	Bolt 5/16in-18NC x 1-1/2in	
8	2220883	2	Plug, O-Ring	
9	3951402	1	Setscrew 1/4in-20NC x 1/4in	
10	3322205	1	Locknut	
11	3760318	1	Ring, Retaining	
12	Use 2901903	2	Ring, Wear	
13	Use 2901903	1	Seal, Cap	
14	Use 2901903	1	O-Ring	
15	Use 2901903	1	Ring, Wear	
16	Use 2901903	1	O-Ring	
17	Use 2901903	1	Seal, Rod	
18	Use 2901903	1	Wiper	
19	0100011	A/R	Compound, Locking	
	0100038	A/R	Primer, Locking	
20	Not Used			
21	2220628	1	Fitting, 90°	
22	2220516	1	Fitting, Cap	
23	3340882	1	Wear Pad Assembly	
24	0641424	2	Bolt 1/4in-20NC x 3in	
25	2220596	1	Fitting, 90°	
26	2220517	1	Fitting, Cap	
27	3311405	4	Flatwasher 1/4in	

100	2901903	1	Seal Kit (Includes Items 12-18)	
	4640807	Ref.	COUNTERBALANCE VALVE ASSEMBLY	D
201	4640771	1	Cartridge, Counterbalance	
	2900770	1	Seal Kit - 4640771 Cartridge	
202	4640709	1	Cartridge, Vented Counterbalance	
	2900770	1	Seal Kit - 4640709 Cartridge	
203	3790113	2	O-Ring (Between Valve and Cylinder Block)	

SECTION 5 CYLINDER

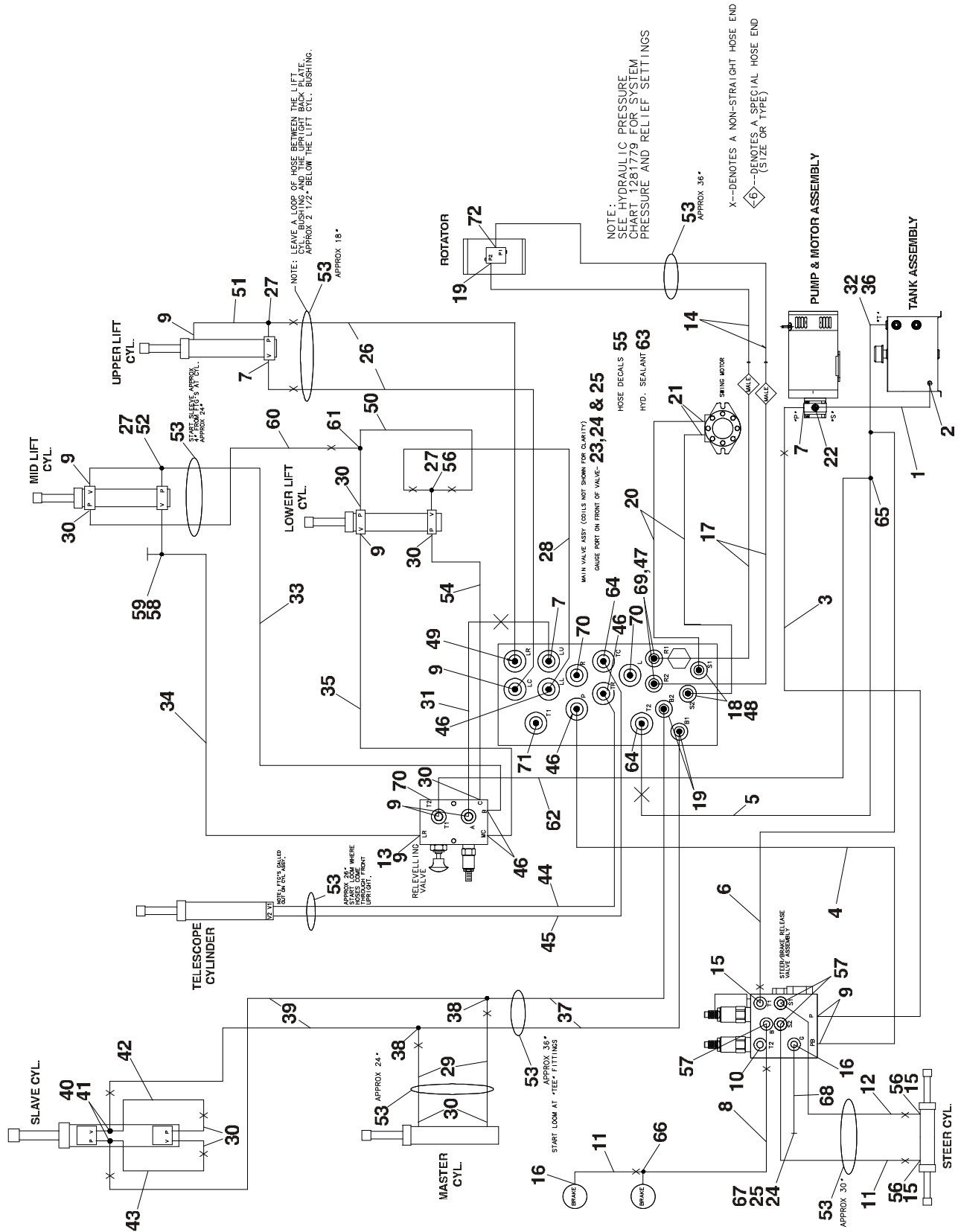
FIGURE 5-16. TELESCOPE CYLINDER ASSEMBLY (E/M400AJP ONLY) (CONTINUED)

ITEM #	PART NUMBER	QTY.	DESCRIPTION	REV.

SECTION 6 HYDRAULIC

SECTION 6 HYDRAULIC

FIGURE 6-1. STANDARD HYDRAULIC DIAGRAM (E/M400A & E/M450A)



SECTION 6 HYDRAULIC

FIGURE 6-1. STANDARD HYDRAULIC DIAGRAM (E/M400A & E/M450A)

ITEM #	PART NUMBER	QTY.	DESCRIPTION	REV.
		Ref.	STANDARD HYDRAULIC DIAGRAM	
	2792506	Ref.	E/M450A	8/H
	2792510	Ref.	E/M400A	9/H
1	2752675	1	Hose	
2	1320033	1	Clamp	
3	2752487	1	Hose	
4	2752488	1	Hose	
5	2751498	1	Hose	
6	2752476	1	Hose	
7	2220371	A/R	Fitting, Straight	
8	2752600	1	Hose	
9	2220473	A/R	Fitting, 90°	
10	2220885	5	Plug	
11	2752595	2	Hose	
12	2752446	1	Hose	
13	2220507	A/R	Fitting, 90°	
14		2	Hose Options:	
	2753337		E/M400A	
	2753326		E/M450A	
15	2220998	3	Fitting, Straight	
16	2220466	2	Fitting, 90°	
17		2	Hose Options:	
	2753332		E/M400A	
	2752795		E/M450A	
18	2220415	2	Fitting, Straight	
19	2220502	3	Fitting, 45°	
20	2752459	2	Hose	
21	2221033	2	Fitting, Straight	
22	2220593	1	Fitting, Straight	
23	2220873	1	Fitting, Straight	
24	2220428	2	Fitting, Quick Coupling	
25	2220429	2	Dust Cap	
26		2	Hose Options:	
	2753519		E/M400A	
	2753050		E/M450A	
27	2220899	3	Fitting, Tee	
28	2752620	1	Hose	
29		2	Hose Options:	
	2752437		E/M400A	
	2752580		E/M450A	
30	2220472	8	Fitting, 90°	
31	2750910	1	Hose	
32	2220999	1	Fitting, Tee	
33		1	Hose Options:	
	2753335		E/M400A	
	2751127		E/M450A	

SECTION 6 HYDRAULIC

FIGURE 6-1. STANDARD HYDRAULIC DIAGRAM (E/M400A & E/M450A) (CONTINUED)

ITEM #	PART NUMBER	QTY.	DESCRIPTION	REV.
34	2753334	1	Hose Options: E/M400A	
	2751126		E/M450A	
35	2752475	1	Hose	
36	2220386	1	Fitting, 90°	
37		2	Hose Options:	
	2753520		E/M400A	
	2752585		E/M450A	
38	2220504	2	Fitting, Tee	
39		2	Hose Options:	
	2753535		E/M400A	
	2752572		E/M450A	
40	2220727	2	Fitting, Straight	
41	2220684	2	Fitting, Tee	
42	2752435	1	Hose	
43	2752573	1	Hose	
44		1	Hose Options:	
	2753474		E/M400A	
	2750996		E/M450A	
45		1	Hose Options:	
	2753475		E/M400A	
	2751508		E/M450A	
46	2220501	A/R	Fitting, 45°	
47	2220502	2	Fitting, 45°	
48	2220677	2	Fitting, Adapter	
49		A/R	Fitting, Long Options:	
	2220819		Prior to S/N 0300067501	
	2221147		S/N 0300067501 to Present	
50	2752581	1	Hose	
51	4566188	1	Tube	
52		1	Tube Options:	
	4566187		E/M400A	
	4566623		E/M450A	
53	4100026	A/R	Nylon, Sleeve	
54	2752983	1	Hose	
55	1702124	1	Hose, Tags	
56	2220609	2	Fitting, Reducer	
57	2220923	3	Fitting, Adapter	
58	2220934	1	Fitting, Tee	
59	4640861	1	Bleeder, Kit	
60	2752440	1	Hose	
61	2220605	1	Fitting, Tee	
62	2752611	1	Hose	
63	0100020	A/R	Sealant	
64	2220600	2	Fitting, Straight	
65	2221054	1	Fitting, Tee	
66	2220711	1	Fitting, Tee	
67	2220414	1	Fitting, Straight	
68	2790900	1	Hose	

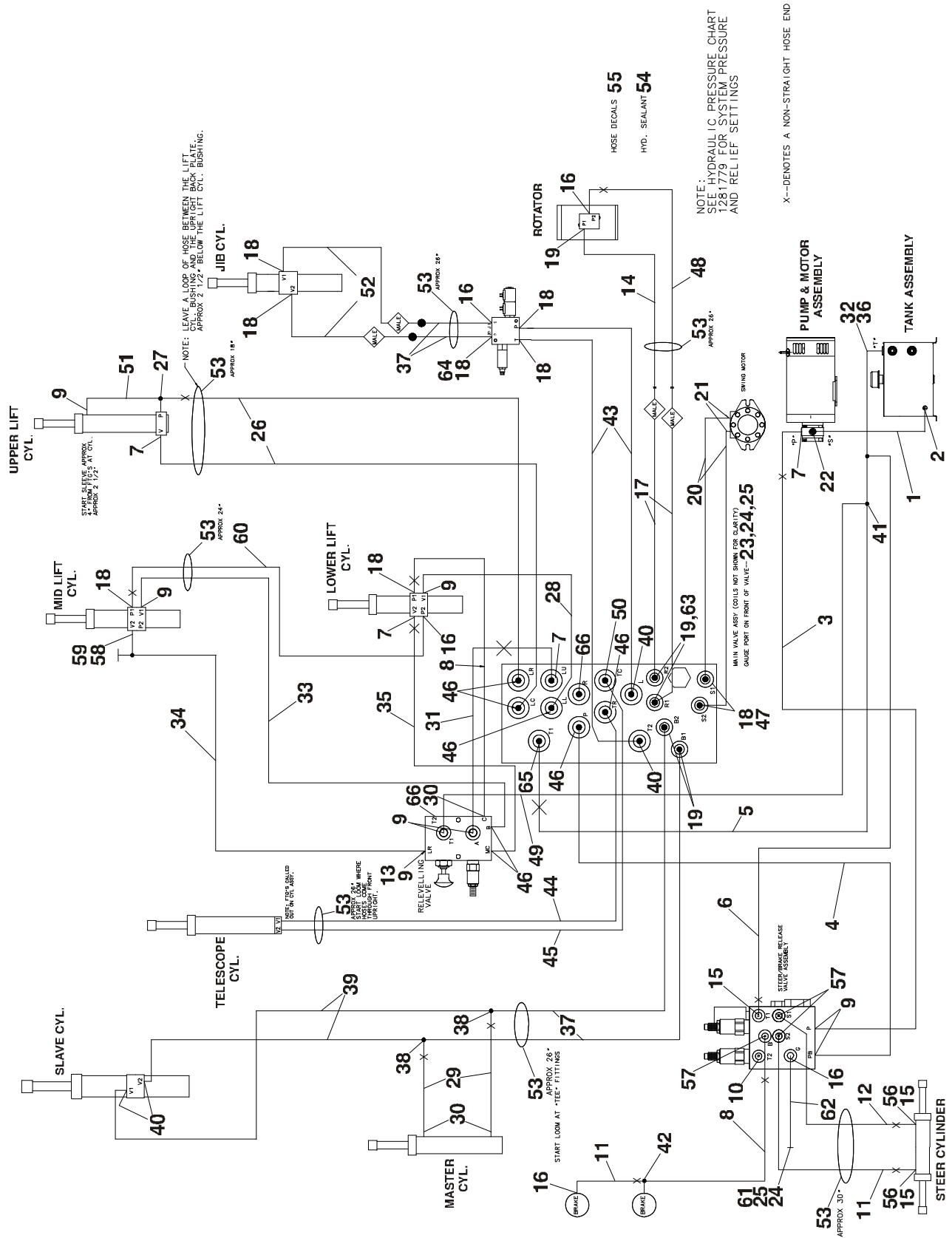
SECTION 6 HYDRAULIC

FIGURE 6-1. STANDARD HYDRAULIC DIAGRAM (E/M400A & E/M450A) (CONTINUED)

ITEM #	PART NUMBER	QTY.	DESCRIPTION	REV.
69	2220909	2	Fitting, Restrictor	
70	2220237	3	Fitting, Plug	
71	2220239	1	Fitting, Plug	
72		1	Fitting Options:	
	2220466		Fitting, 90° (Prior to S/N 0300114239)	
	2220502		Fitting, 45° (S/N 0300114239 to Present)	

SECTION 6 HYDRAULIC

FIGURE 6-2. STANDARD HYDRAULIC DIAGRAM (E/M450AJ)



SECTION 6 HYDRAULIC

FIGURE 6-2. STANDARD HYDRAULIC DIAGRAM (E/M450AJ)

ITEM #	PART NUMBER	QTY.	DESCRIPTION	REV.
	2792507	Ref.	STANDARD HYDRAULIC DIAGRAM	F
1	2752675	1	Hose	
2	1320033	1	Clamp (was p/n 1320017)	
3	2752487	1	Hose	
4	2752488	1	Hose	
5	2751498	1	Hose	
6	2752476	1	Hose	
7	2220371	4	Fitting, Straight	
8	2752600	2	Hose	
9	2220473	7	Fitting, 90°	
10	2220885	6	Plug	
11	2752595	2	Hose	
12	2752446	1	Hose	
13	2220507	1	Fitting, 90°	
14	2753304	1	Hose	
15	2220998	3	Fitting, Straight	
16	2220466	5	Fitting, 90°	
17	2752795	2	Hose	
18	2220415	9	Fitting, Straight	
19	2220502	5	Fitting, 45°	
20	2752459	2	Hose	
21	2221033	2	Fitting, Straight	
22	2220593	1	Fitting, Straight	
23	2220873	1	Fitting, Straight	
24	2220428	2	Fitting, Quick Coupling	
25	2220429	2	Dust Cap	
26	2753050	2	Hose	
27	2220899	1	Fitting, Tee	
28	2752466	1	Hose	
29	2752437	2	Hose	
30	2220472	3	Fitting, 90°	
31	2750910	1	Hose	
32	2220999	1	Fitting, Tee	
33	2753301	1	Hose	
34	2751009	1	Hose	
35	2752611	1	Hose	
36	2220386	1	Fitting, 90°	
37	2752585	4	Hose	
38		2	Fitting, Tee Options: Prior to S/N 0300168138 S/N 0300168138 to Present	
	2220605			
	2220504			
39	2753302	2	Hose	
40	2220582	4	Fitting, Straight	
41	2221054	1	Fitting, Tee	
42	2220711	1	Fitting, Tee	
43	2752430	2	Hose	
44	2750996	1	Hose	
45	2751508	1	Hose	

SECTION 6 HYDRAULIC

FIGURE 6-2. STANDARD HYDRAULIC DIAGRAM (E/M450AJ) (CONTINUED)

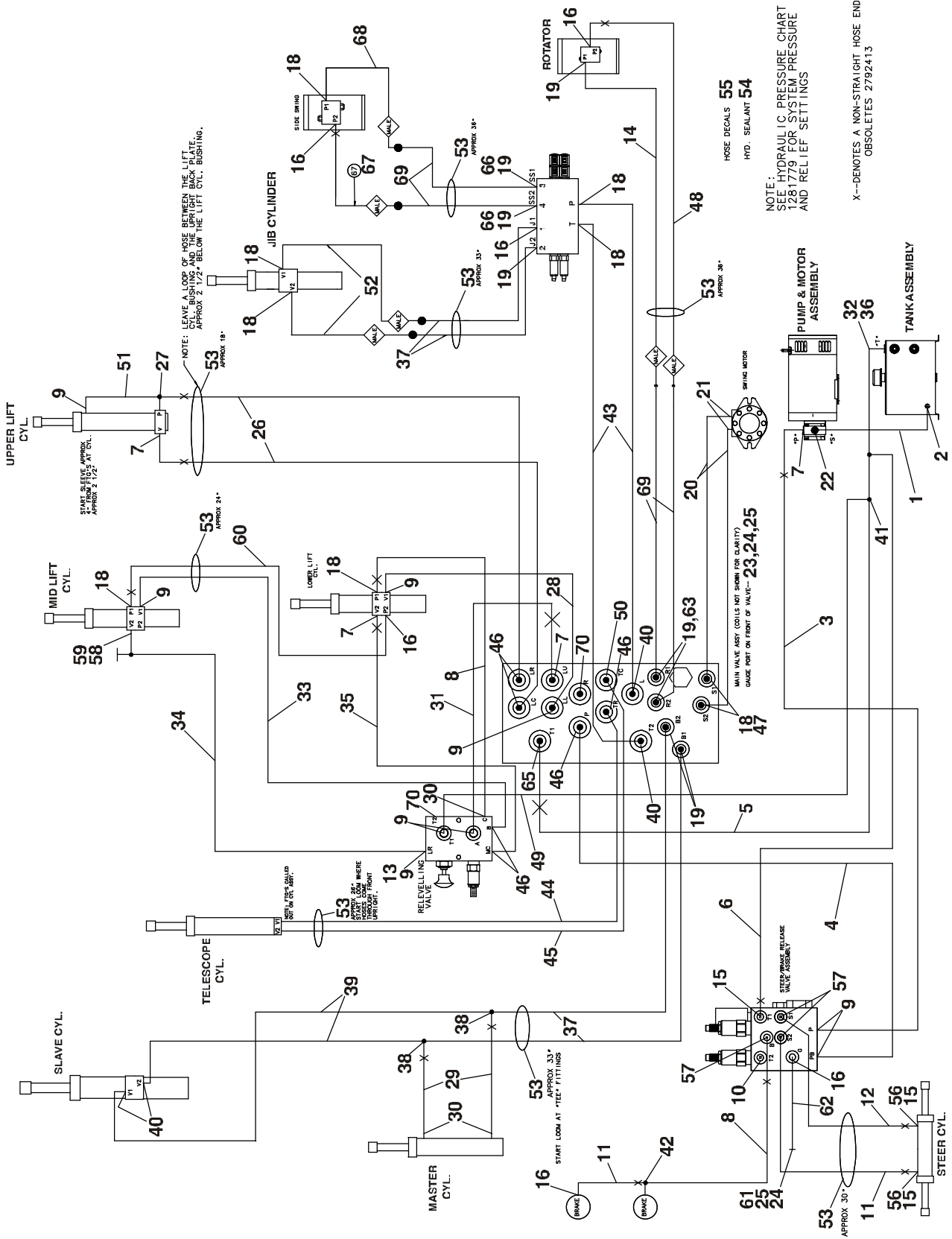
ITEM #	PART NUMBER	QTY.	DESCRIPTION	REV.
46	2220501	8	Fitting, 45°	
47	2220677	2	Fitting, 45°	
48	2753305	1	Hose	
49	2752611	1	Hose	
50	2220600	2	Fitting, Straight	
51	4567946	1	Tube	
52	2753303	2	Hose	
53	4100026	A/R	Nylon, Sleeve	
54	0100020	A/R	Sealant (Not Shown)	
55	1702124	1	Hose, Tags (Not Shown)	
56	2220609	2	Fitting, Reducer	
57	2220923	3	Fitting, Adapter'	
58	2220934	1	Fitting, Tee	
59	4640861	1	Bleeder, Kit	
60	2751414	1	Hose	
61	2220414	1	Fitting, Straight	
62	2750900	1	Hose	
63	2220909	2	Orifice (.015)	
64	2220654	1	Fitting, Straight	
65	2220374	1	Fitting, Straight	
66	2220237	2	Fitting, Plug	

FIGURE 6-2. STANDARD HYDRAULIC DIAGRAM (E/M450AJ) (CONTINUED)

ITEM #	PART NUMBER	QTY.	DESCRIPTION	REV.

SECTION 6 HYDRAULIC

FIGURE 6-3. STANDARD HYDRAULIC DIAGRAM (E/M400AJP)



SECTION 6 HYDRAULIC

FIGURE 6-3. STANDARD HYDRAULIC DIAGRAM (E/M400AJP)

ITEM #	PART NUMBER	QTY.	DESCRIPTION	REV.
	2792509	Ref.	STANDARD HYDRAULIC DIAGRAM	G
1	2752675	1	Hose	
2	1320033	1	Clamp	
3	2752487	1	Hose	
4	2752488	1	Hose	
5	2751498	1	Hose	
6	2752476	1	Hose	
7	2220371	4	Fitting, Straight	
8	2752600	2	Hose	
9	2220473	8	Fitting, 90°	
10	2220885	1	Plug	
11	2752595	2	Hose	
12	2752446	1	Hose	
13	2220507	1	Fitting, 90°	
14	2753337	1	Hose	
15	2220998	3	Fitting, Straight	
16	2220466	6	Fitting, 90°	
17	Not Used			
18	2220415	9	Fitting, Straight	
19	2220502	8	Fitting, 45°	
20	2752459	2	Hose	
21	2221033	2	Fitting, Straight	
22	2220593	1	Fitting, Straight	
23	2220873	1	Fitting, Straight	
24	2220428	2	Fitting, Quick Coupling	
25	2220429	2	Dust Cap	
26	2752619	2	Hose	
27	2220899	1	Fitting, Tee	
28	2752466	1	Hose	
29	2752437	2	Hose	
30	2220472	3	Fitting, 90°	
31	2750910	1	Hose	
32	2220999	1	Fitting, Tee	
33	2753335	1	Hose	
34	2753334	1	Hose	
35	2752611	1	Hose	
36	2220386	1	Fitting, 90°	
37	2752571	4	Hose	
38		2	Fitting, Tee Options: Prior to S/N 0300168138 S/N 0300168138 to Present	
39	2220605			
39	2753333	2	Hose	
40	2220504			
40	2220582	4	Fitting, Straight	
41	2221054	1	Fitting, Tee	
42	2220711	1	Fitting, Tee	
43	2752430	2	Hose	
44	2753474	1	Hose	
45	2753475	1	Hose	

SECTION 6 HYDRAULIC

FIGURE 6-3. STANDARD HYDRAULIC DIAGRAM (E/M400AJP) (CONTINUED)

ITEM #	PART NUMBER	QTY.	DESCRIPTION	REV.
46	2220501	7	Fitting, 45°	
47	2220677	2	Fitting, 45°	
48	2753336	1	Hose	
49	2752611	1	Hose	
50	2220600	2	Fitting, Straight	
51	4567946	1	Tube	
52	2753329	2	Hose	
53	4100026	A/R	Nylon, Sleeve	
54	0100020	A/R	Sealant (Not Shown)	
55	1702124	1	Hose, Tags (Not Shown)	
56	2220609	2	Fitting, Reducer	
57	2220923	3	Fitting, Adapter	
58	2220934	1	Fitting, Tee	
59	4640861	1	Bleeder, Kit	
60	2751890	1	Hose	
61	2220414	1	Fitting, Straight	
62	2750900	1	Hose	
63	2220909	2	Orifice (.015)	
64	Not Used			
65	2220374	1	Fitting, Straight	
66	2221039	2	Orifice (.022)	
67	2753330	1	Hose	
68	2753331	1	Hose	
69	2753332	4	Hose	
70	2220237	2	Fitting, Plug	

SECTION 6 HYDRAULIC

FIGURE 6-3. STANDARD HYDRAULIC DIAGRAM (E/M400AJP) (CONTINUED)

ITEM #	PART NUMBER	QTY.	DESCRIPTION	REV.

SECTION 6 HYDRAULIC

FIGURE 6-4. HYDRAULIC DIAGRAM LIST

ITEM #	PART NUMBER	QTY.	DESCRIPTION	REV.	
		Ref.	Note: Diagrams with asterisk (*) are shown in the preceding pages. Information on diagrams not shown is available from JLG Service/Parts Departments.		
	2792334	Ref.	Standard Hydraulic Diagram Options: E/M450A Prior to S/N 0300062857 E/M450A S/N 0300062857 to Present E/M450AJ Prior to S/N 0300062857 E/M450AJ S/N 0300062857 to Present E/M400A Prior to S/N 0300062857 E/M400A S/N 0300062857 to Present E/M400AJP Prior to S/N 0300062857 E/M400AJP S/N 0300062857 to Present		
	2792506*	Ref.			
	2792395	Ref.			
	2792507*	Ref.			
	2792458	Ref.			
	2792510*	Ref.			
	2792413	Ref.			
	2792509*	Ref.			
		Ref.		Standard Hydraulic Schematic Options: Prior to S/N 0300062857 S/N 0300062857 to Present	
	2792337	Ref.			
	2792505	Ref.			

SECTION 7 ELECTRICAL

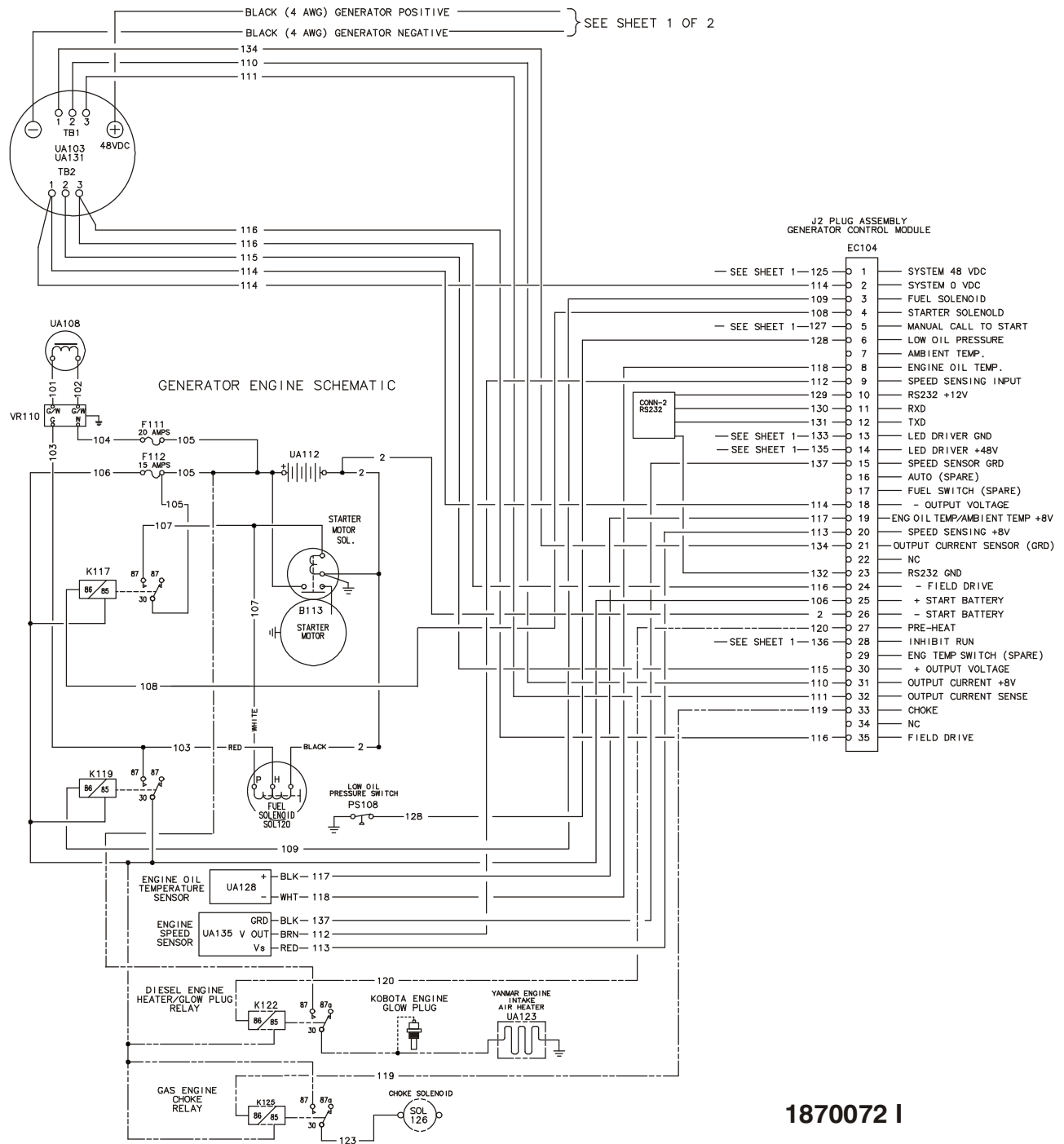
SECTION 7 ELECTRICAL

FIGURE 7-1. ELECTRICAL DIAGRAM LIST

ITEM #	PART NUMBER	QTY.	DESCRIPTION	REV.
		Ref.	Note: Diagrams with asterisks (*) are shown in the following pages. Diagrams not shown are available from the JLG Service Department.	
		Ref.	LIGHTS ELECTRICAL DIAGRAMS	
		Ref.	Headlights and Taillights	
	4933102	1	Switch, Toggle (Located on Platform Console Box)	
	4360336	1	Relay (Located in Ground Control Box)	
	3740087	1	Socket, Relay (Located in Ground Control Box)	
	4120027	1	Spring (Located in Ground Control Box)	
	3740063	1	Breaker, Circuit 10 Amp (Located in Ground Control Box)	
	4360448	1		
		Ref.	Strobe Light Options:	
	0259305/1283055	Ref.	Prior to S/N 0300169430	
	1001149955	Ref.	S/N 0300169430 to Present	
		Ref.	MOTION ALARM ELECTRICAL DIAGRAM	
		Ref.	PLATFORM ELECTRICAL DIAGRAM	
	4933060	Ref.	E/M450A & E/M450AJ	
	4933060	Ref.	E/M400A	
	4933105	Ref.	E/M400AJP	
		Ref.	STANDARD ELECTRICAL DIAGRAMS	
	4933059	Ref.	E/M450A (Prior to S/N 0300057534)	
	4933128	Ref.	E/M450A (S/N 0300057534 to S/N 0300100450)	
	4933388	Ref.	E/M450A (S/N 0300100450 to Present)	
	4933128	Ref.	E/M450AJ (Prior to S/N 0300100450)	
	4933388	Ref.	E/M450AJ (S/N 0300100450 to Present)	
	4933059	Ref.	E/M400A (Prior to S/N 0300100450)	
	4933128	Ref.	E/M400A (S/N 0300057534 to S/N 0300100450)	
	4933388	Ref.	E/M400A (S/N 0300100450 to Present)	
	4933128	Ref.	E/M400AJP (Prior to S/N 0300100450)	
	4933388	Ref.	E/M400AJP (S/N 0300100450 to Present)	
		Ref.	STANDARD ELECTRICAL SCHEMATIC	
	1870072*	Ref.	E/M450A & E/M450AJ (Prior to S/N 0300100450)	
	1870227*	Ref.	E/M450A & E/M450AJ (S/N 0300100450 to Present)	
	1870072*	Ref.	E/M400A (Prior to S/N 0300100450)	
	1870227*	Ref.	E/M400A (S/N 0300100450 to Present)	
	1870126*	Ref.	E/M400AJP (Prior to S/N 0300100450)	
	1870227*	Ref.	E/M400AJP (S/N 0300100450 to Present)	

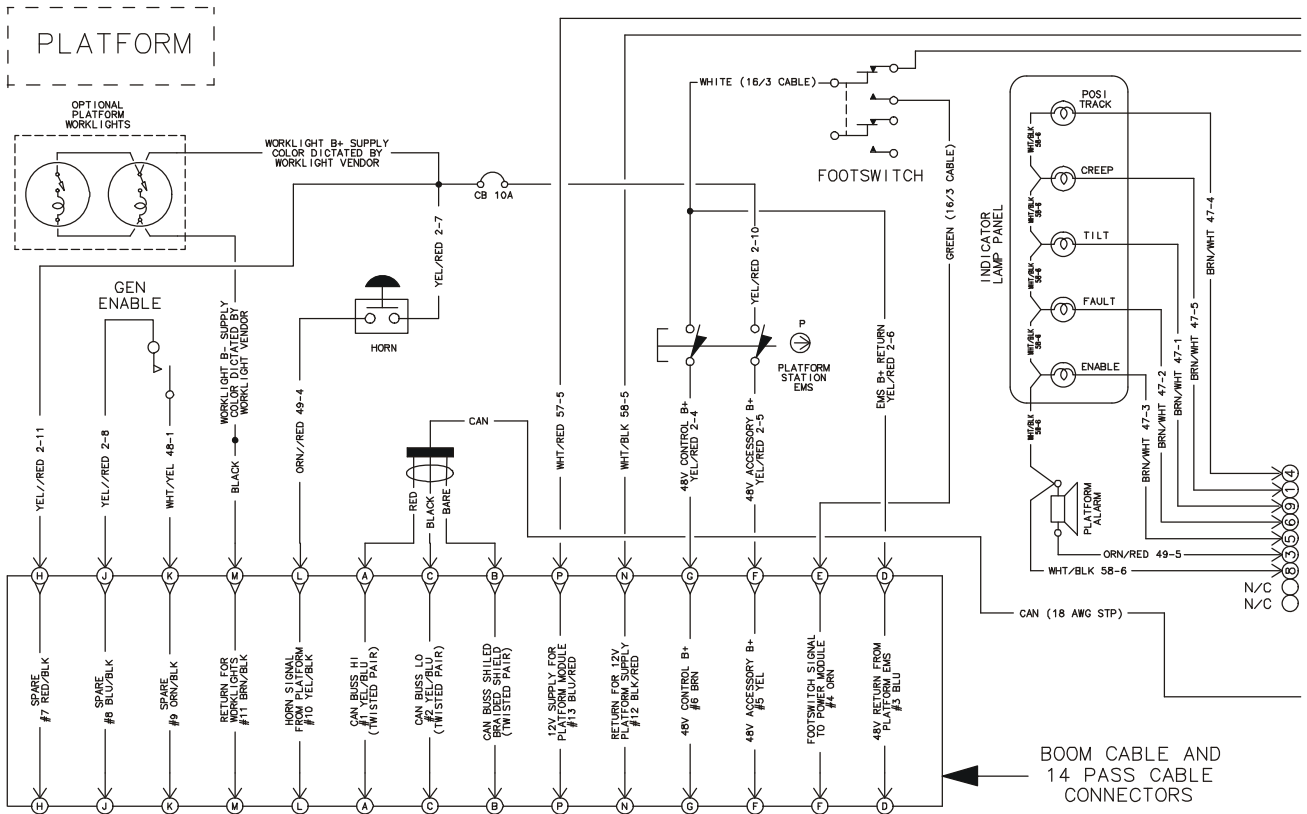
SECTION 7 ELECTRICAL

**FIGURE 7-2. ELECTRICAL SCHEMATIC (E/M400A, E/M450A & E/M450AJ)
(PRIOR TO S/N 0300100450)**

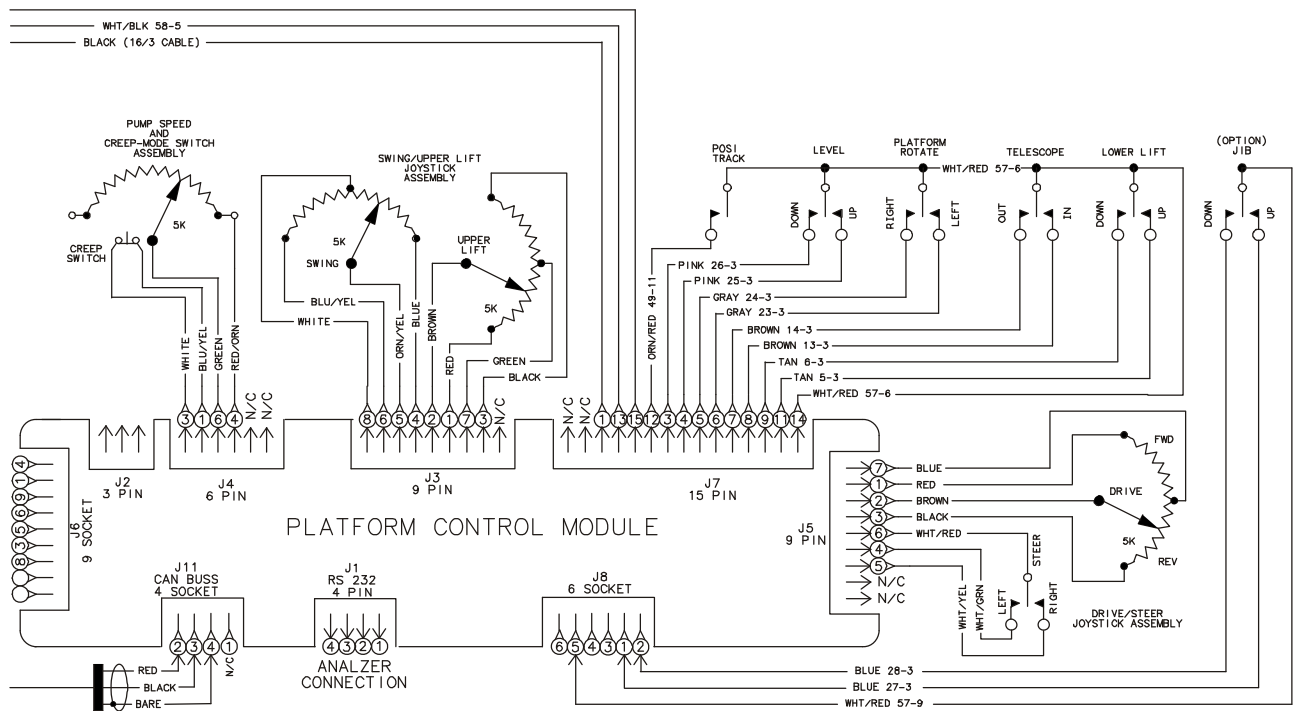


1870072 I

SECTION 7 ELECTRICAL

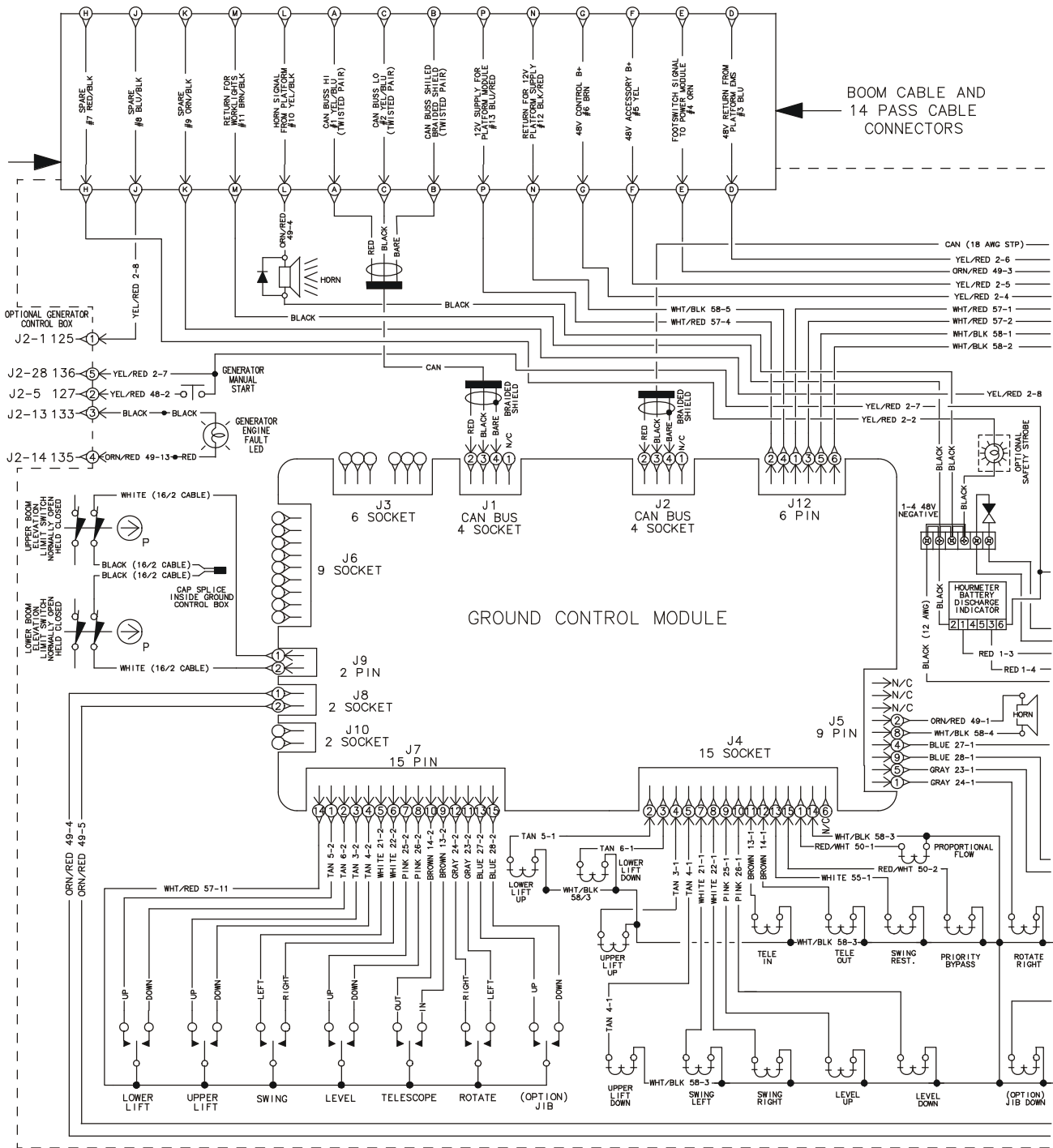


SECTION 7 ELECTRICAL

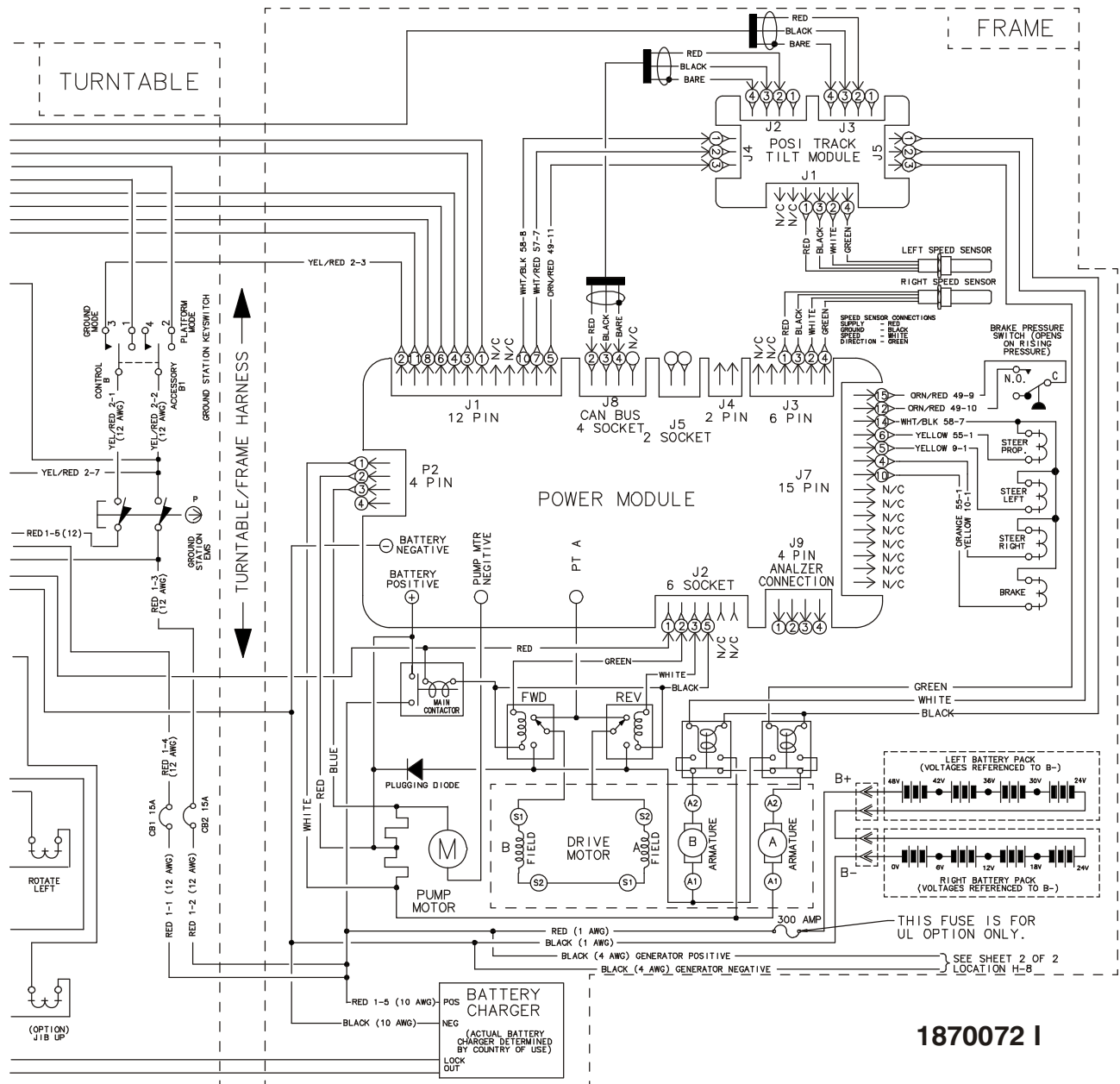


1870072 I

SECTION 7 ELECTRICAL



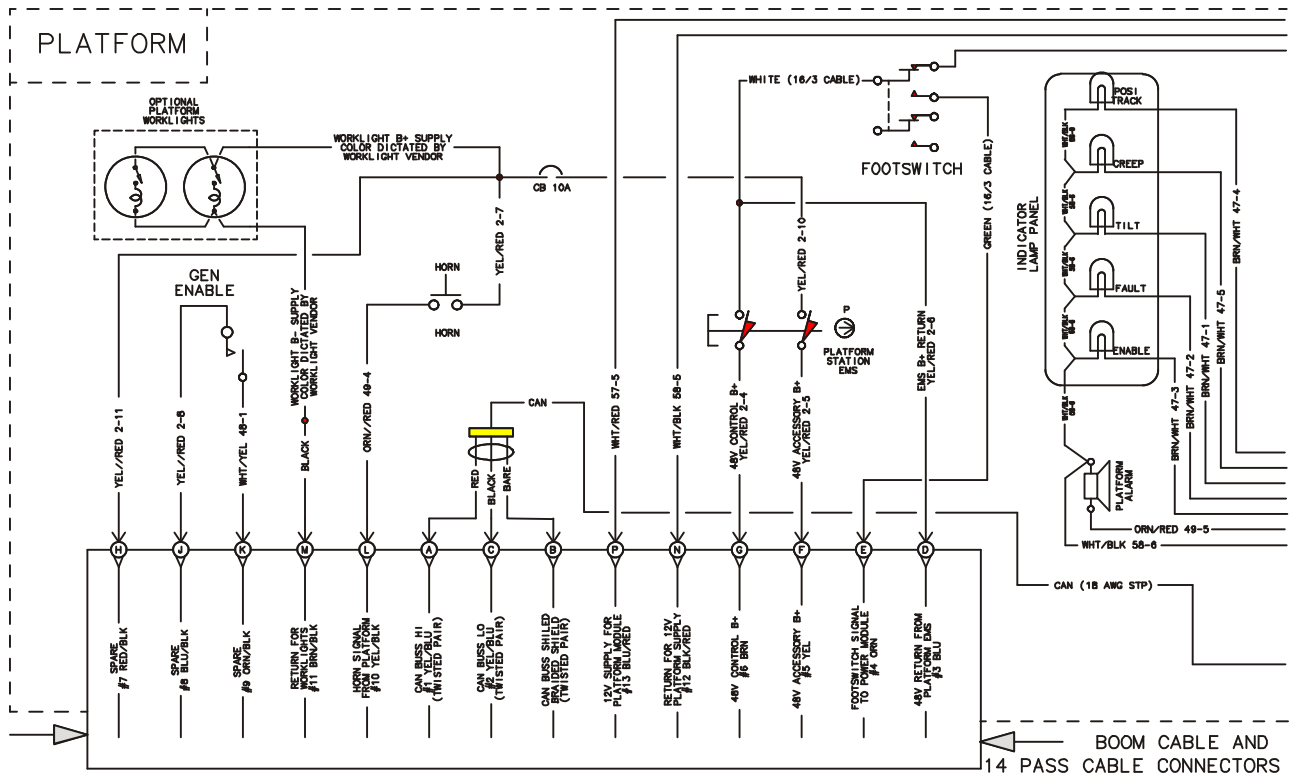
SECTION 7 ELECTRICAL



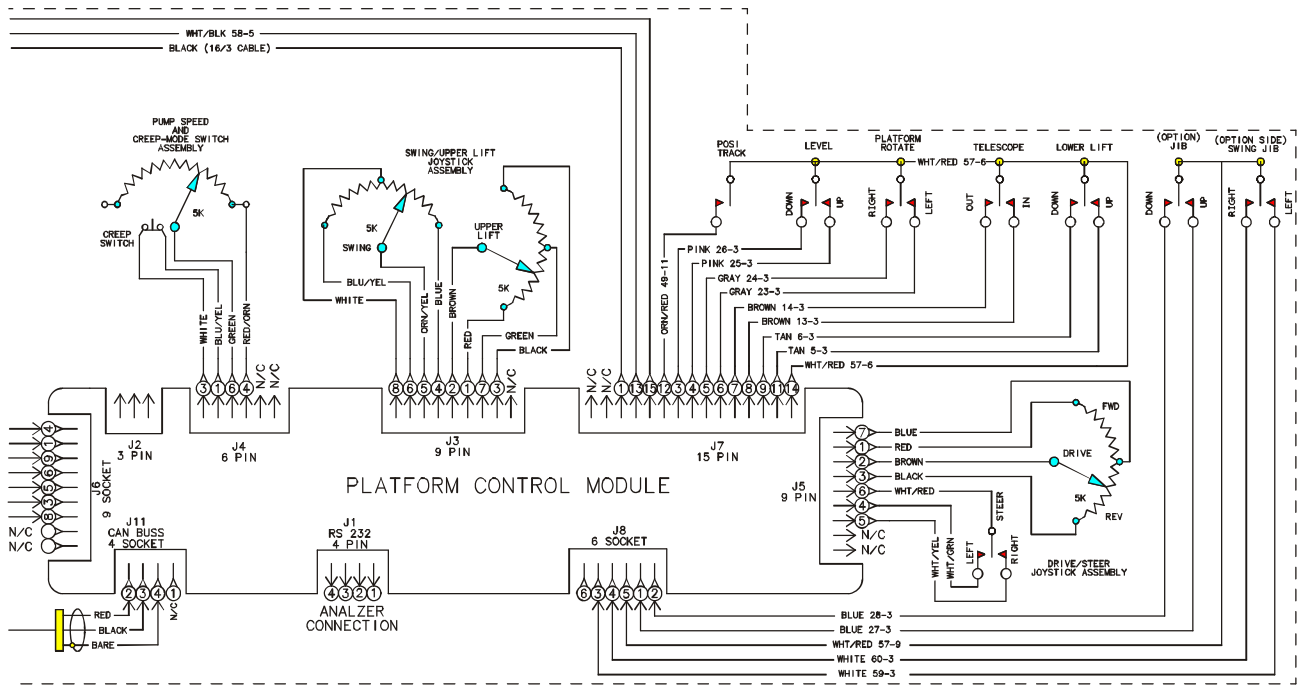
1870072 I

SECTION 7 ELECTRICAL

FIGURE 7-3. ELECTRICAL SCHEMATIC (E/M400AJP) (PRIOR TO S/N 0300100540)

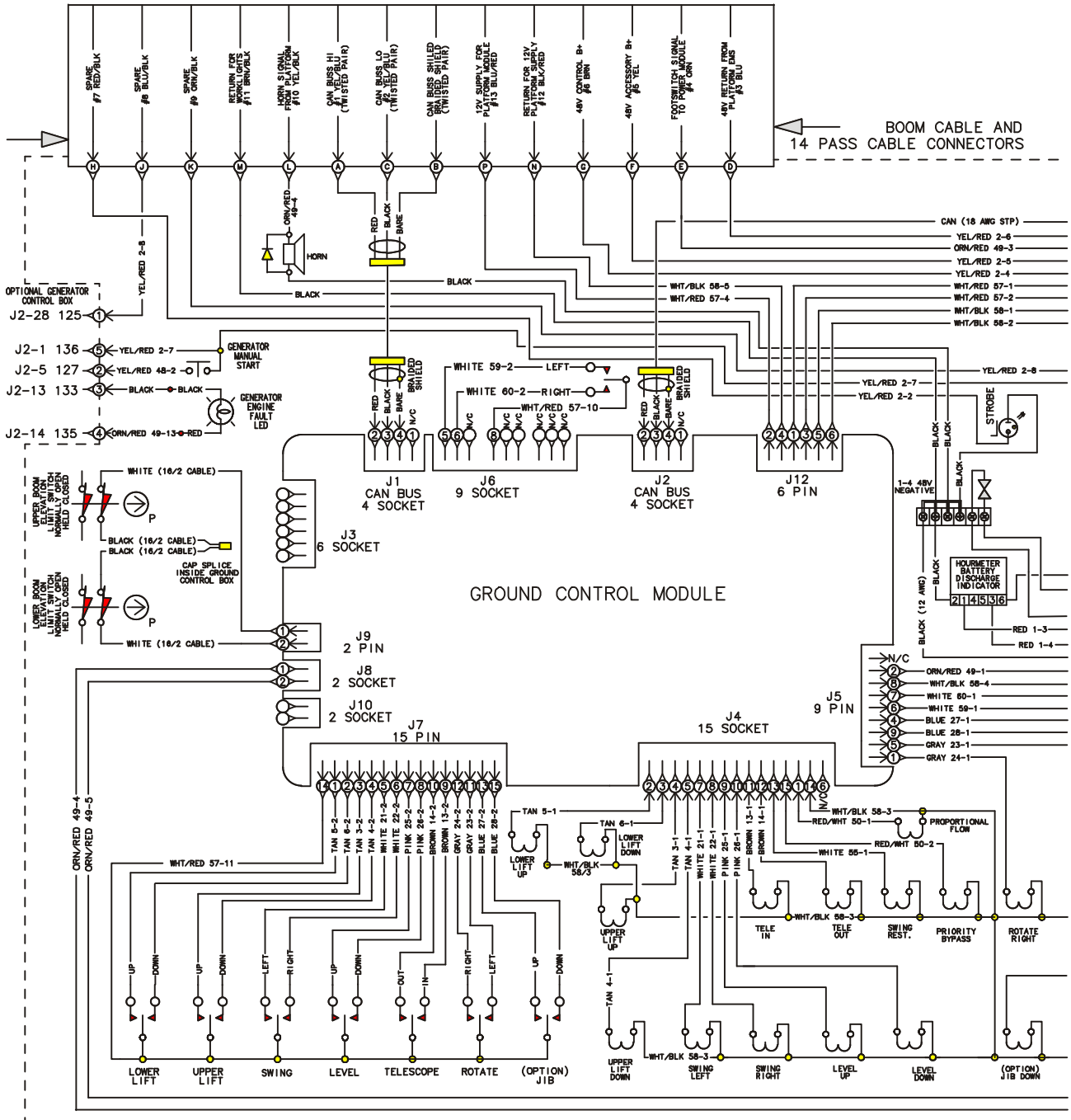


SECTION 7 ELECTRICAL

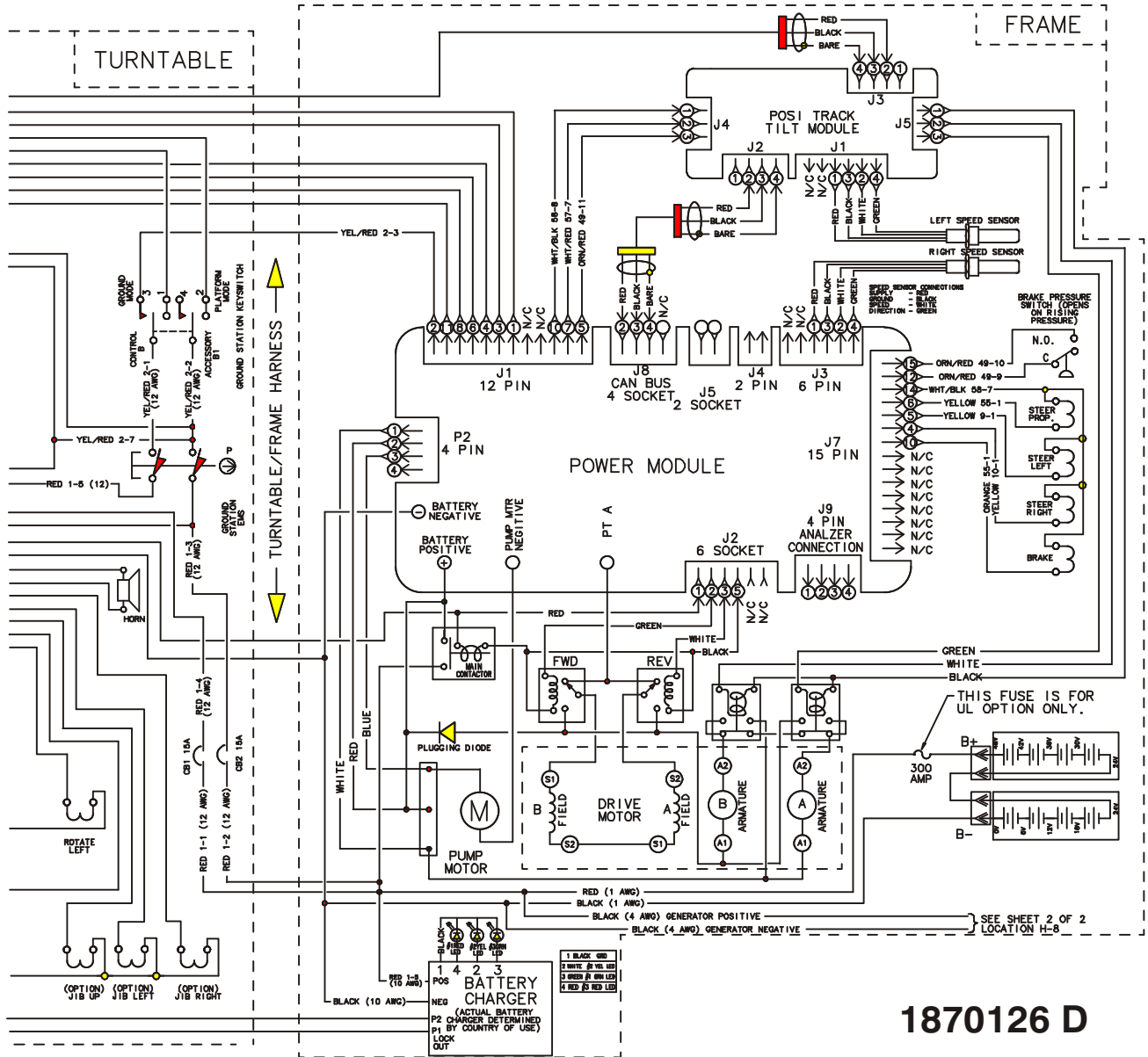


1870126 D

SECTION 7 ELECTRICAL

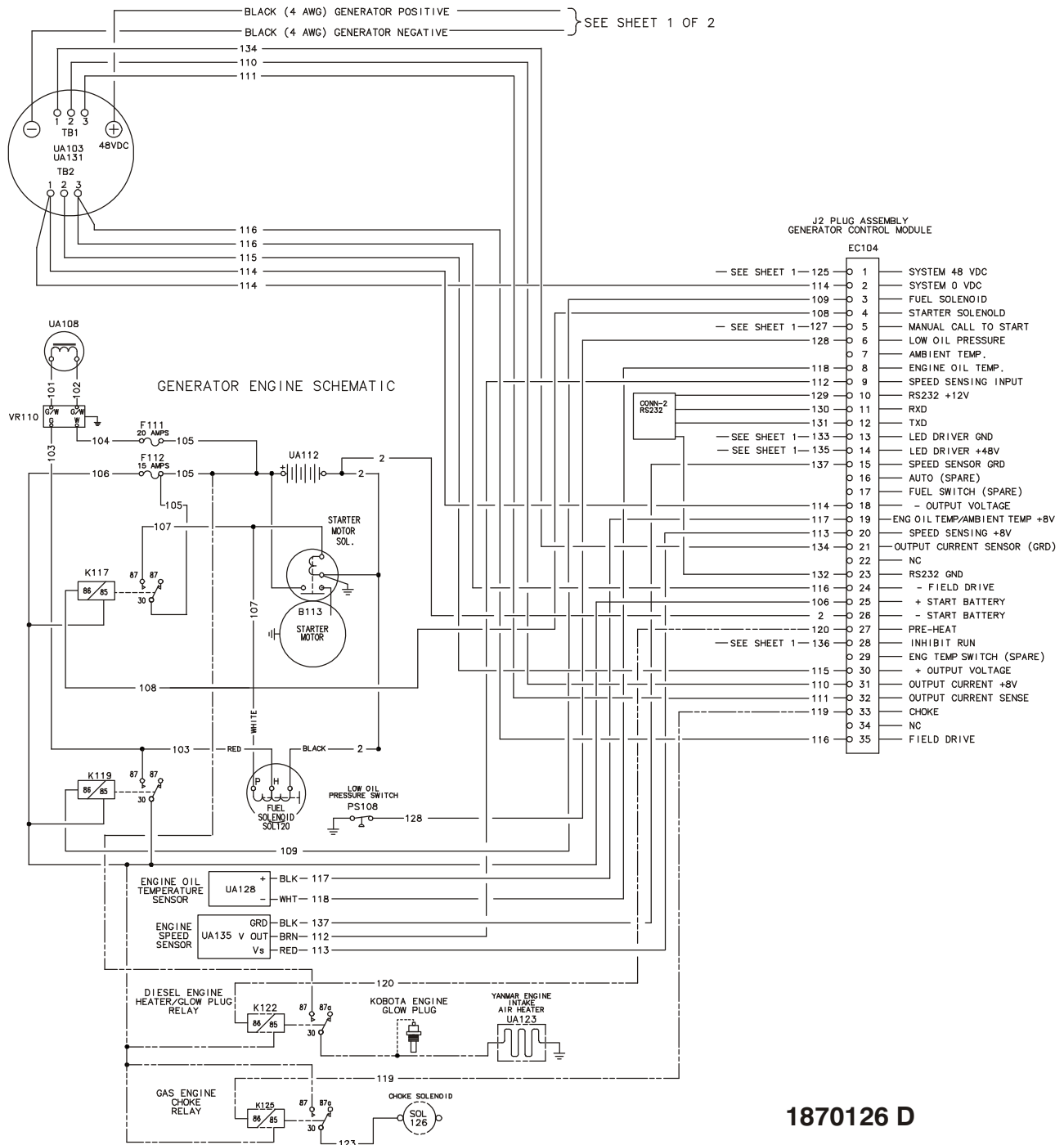


SECTION 7 ELECTRICAL



1870126 D

SECTION 7 ELECTRICAL

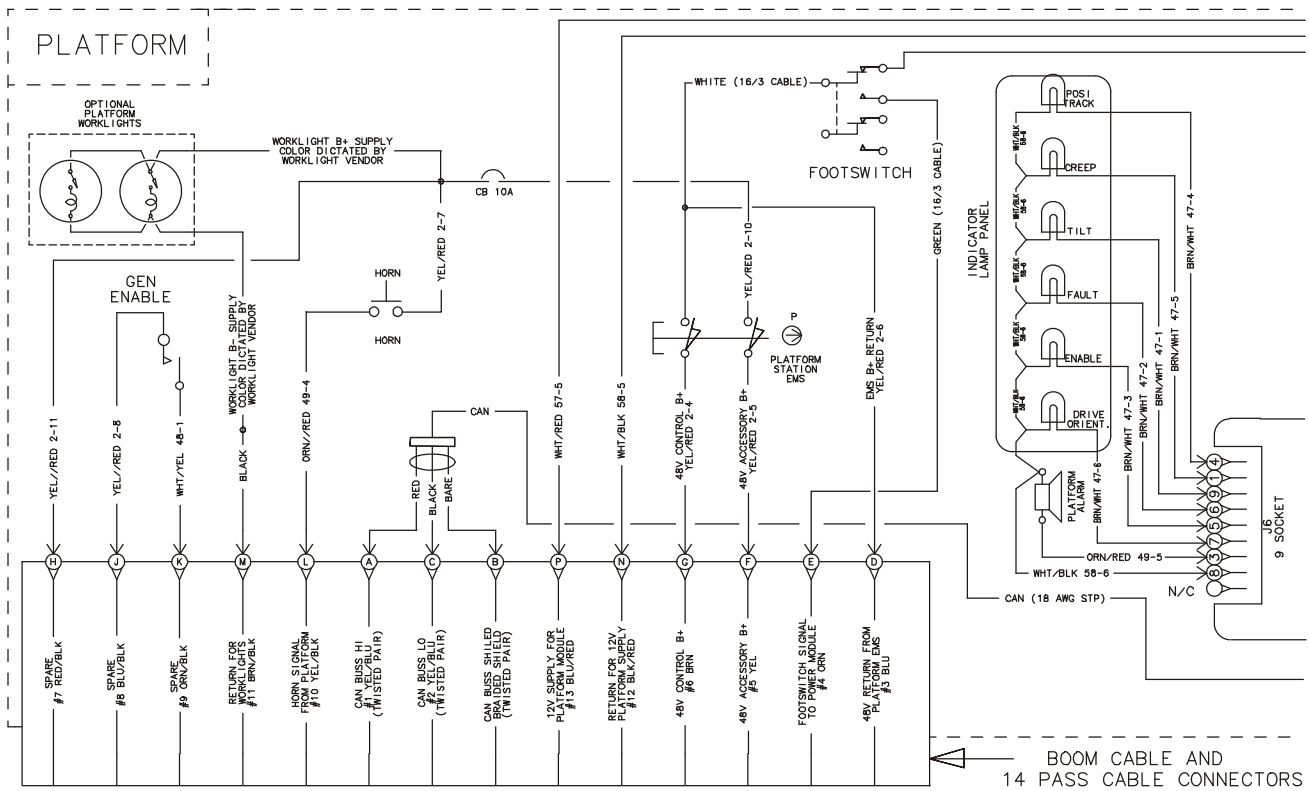


1870126 D

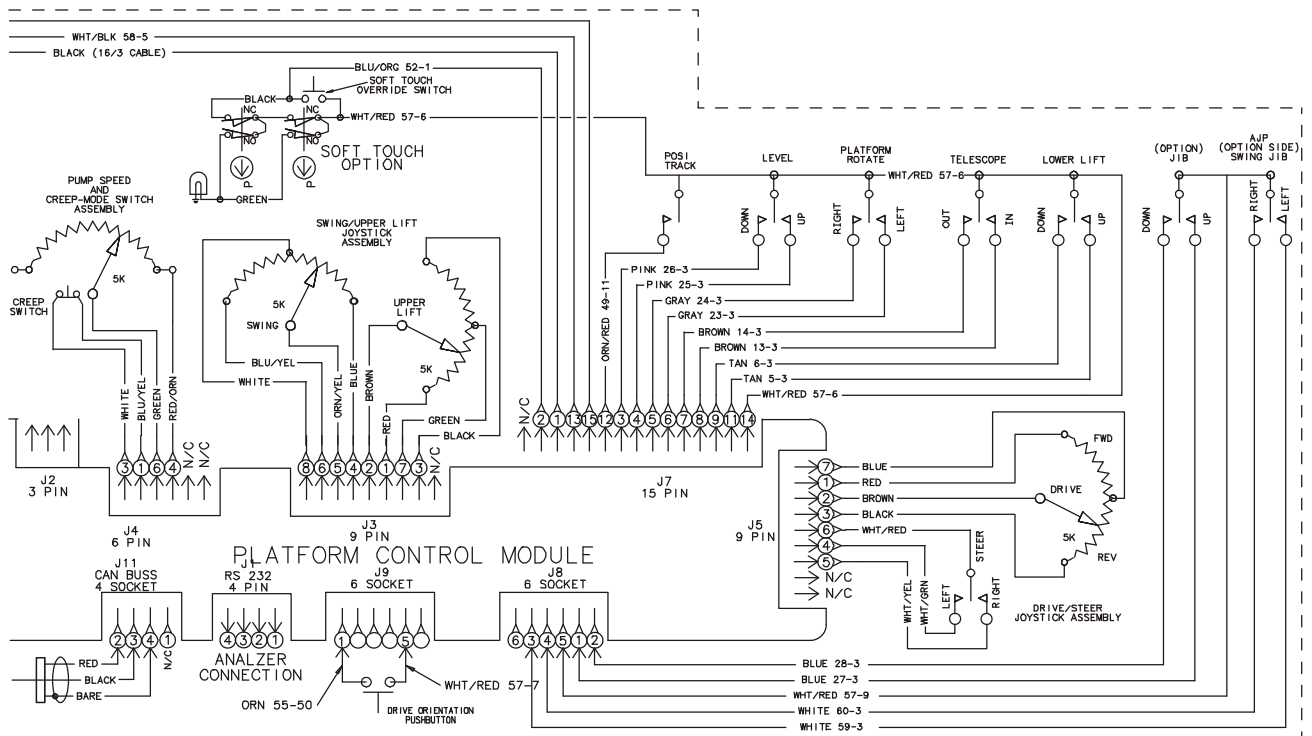
“THIS PAGE INTENTIONALLY LEFT BLANK”

SECTION 7 ELECTRICAL

**FIGURE 7-4. ELECTRICAL SCHEMATIC (E/M400A, E/M450A, E/M450AJ & E/M400AJP)
(S/N 0300100540 TO PRESENT)**

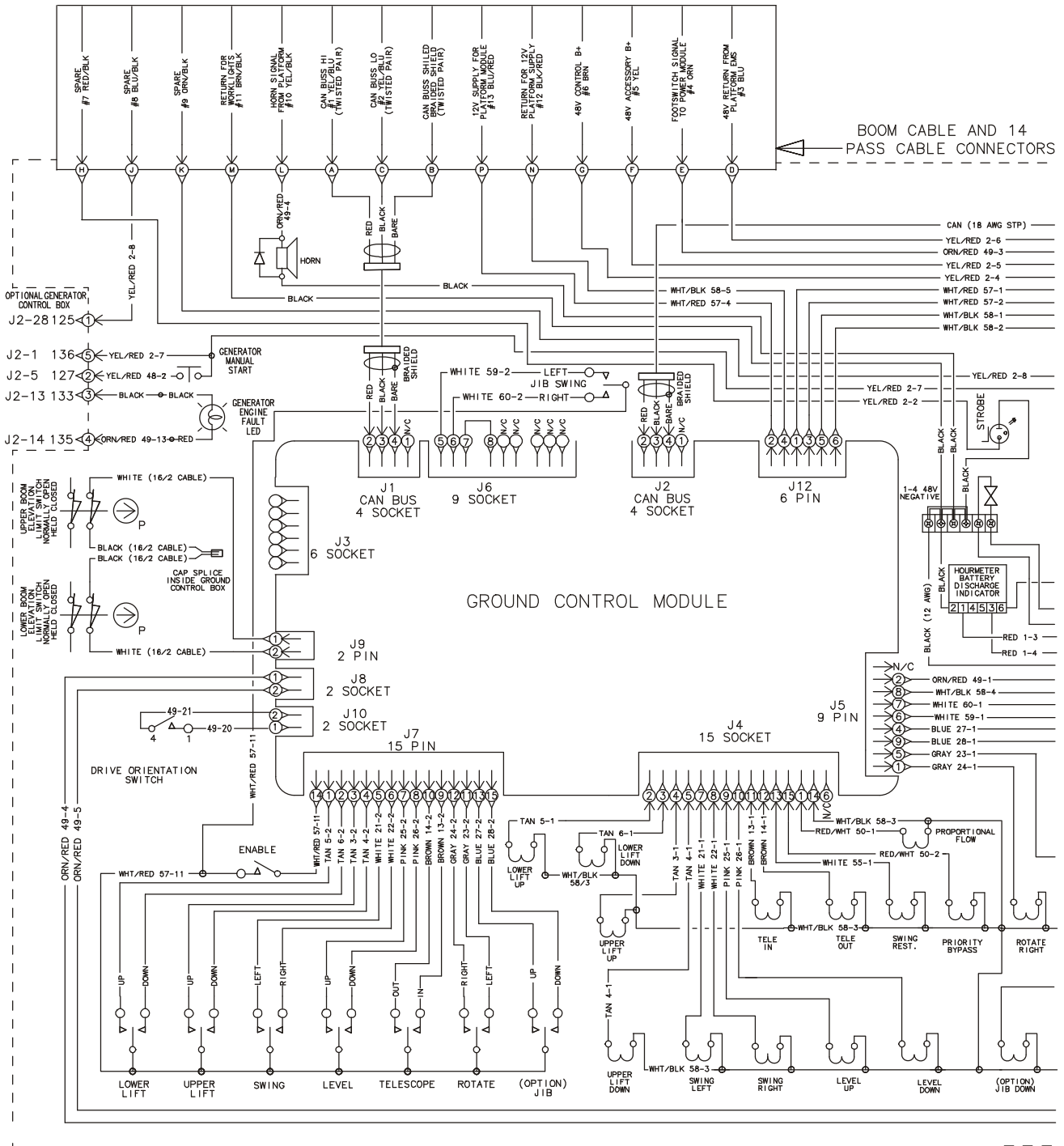


SECTION 7 ELECTRICAL

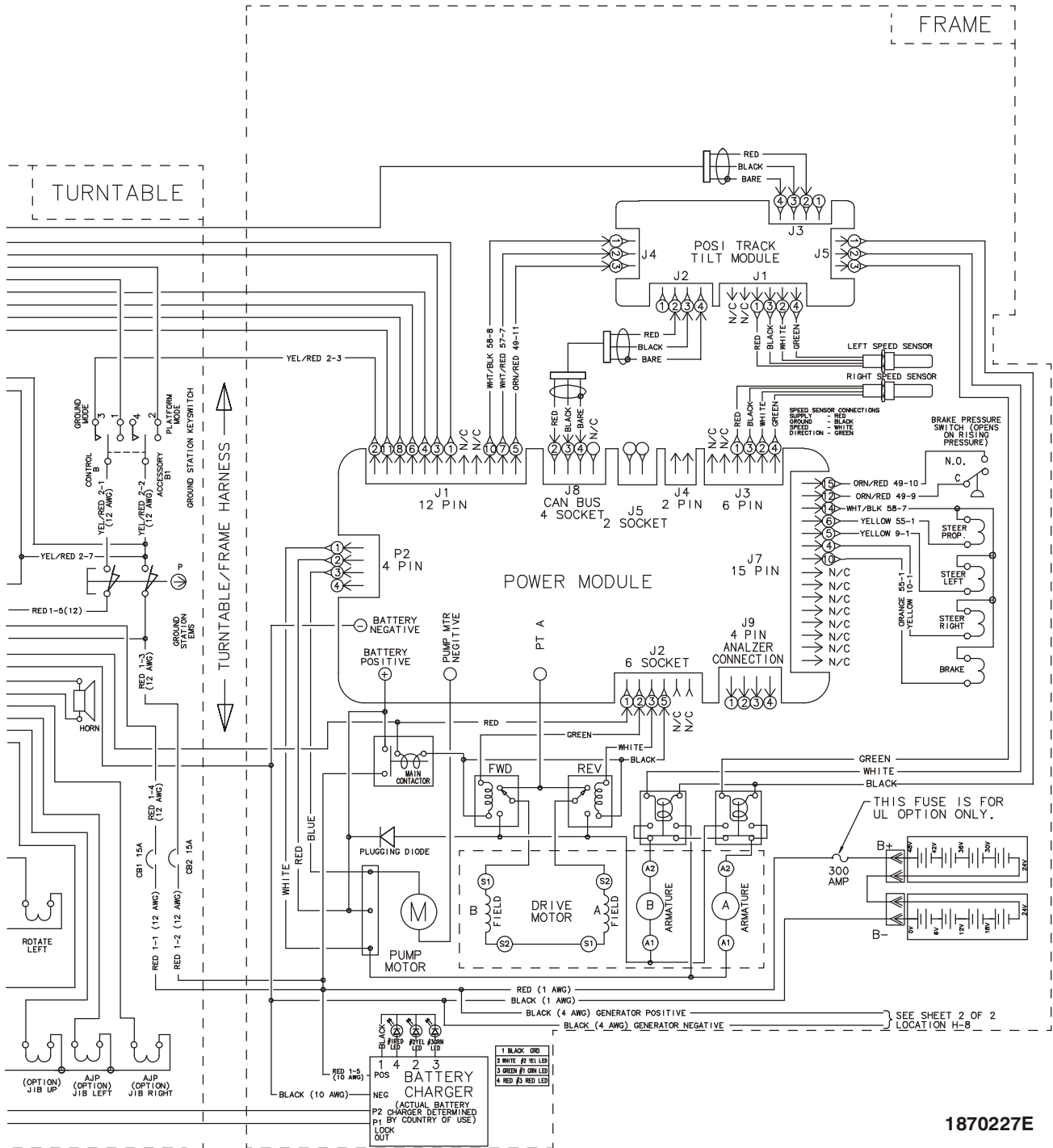


1870227E

SECTION 7 ELECTRICAL

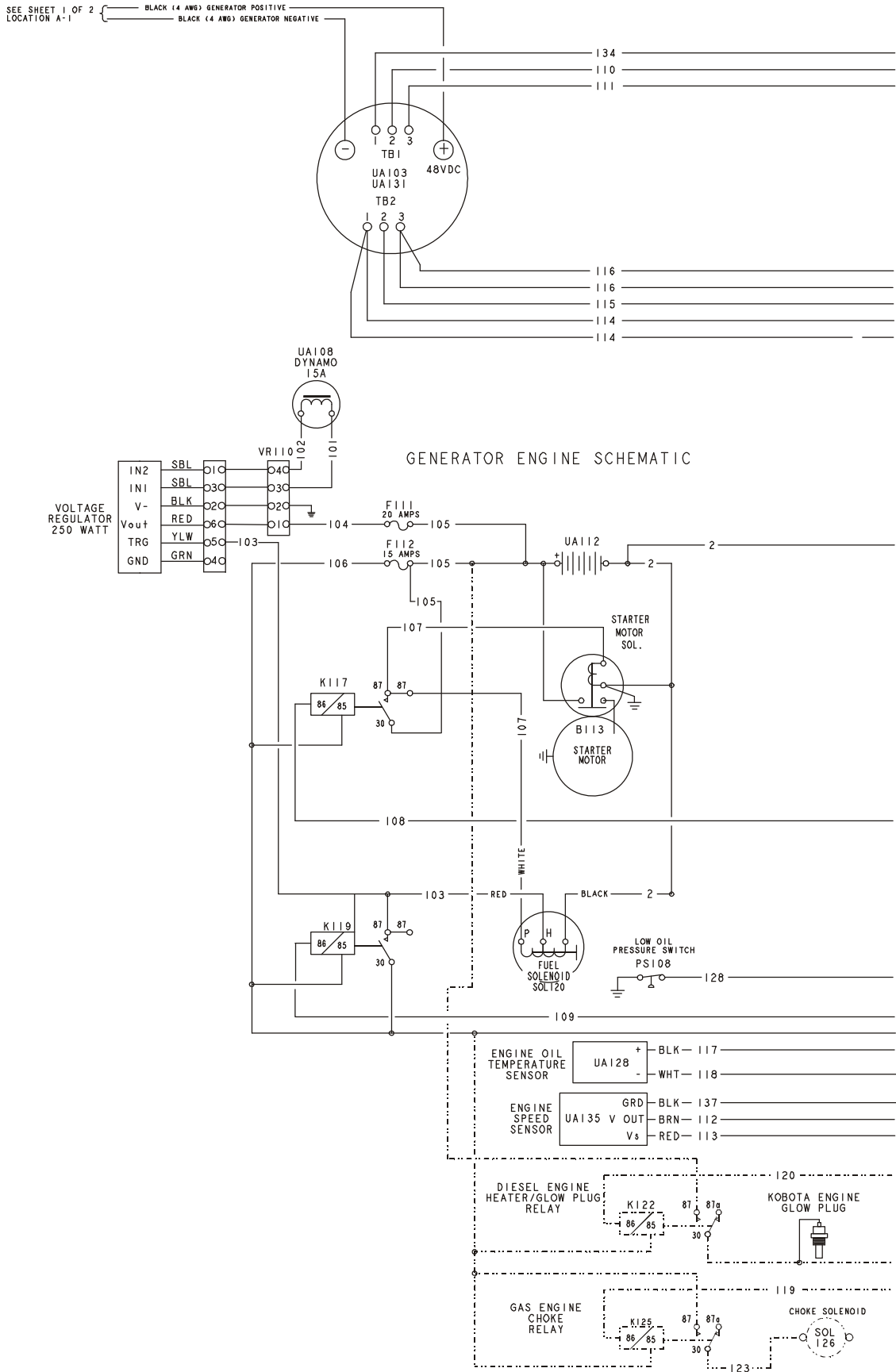


SECTION 7 ELECTRICAL

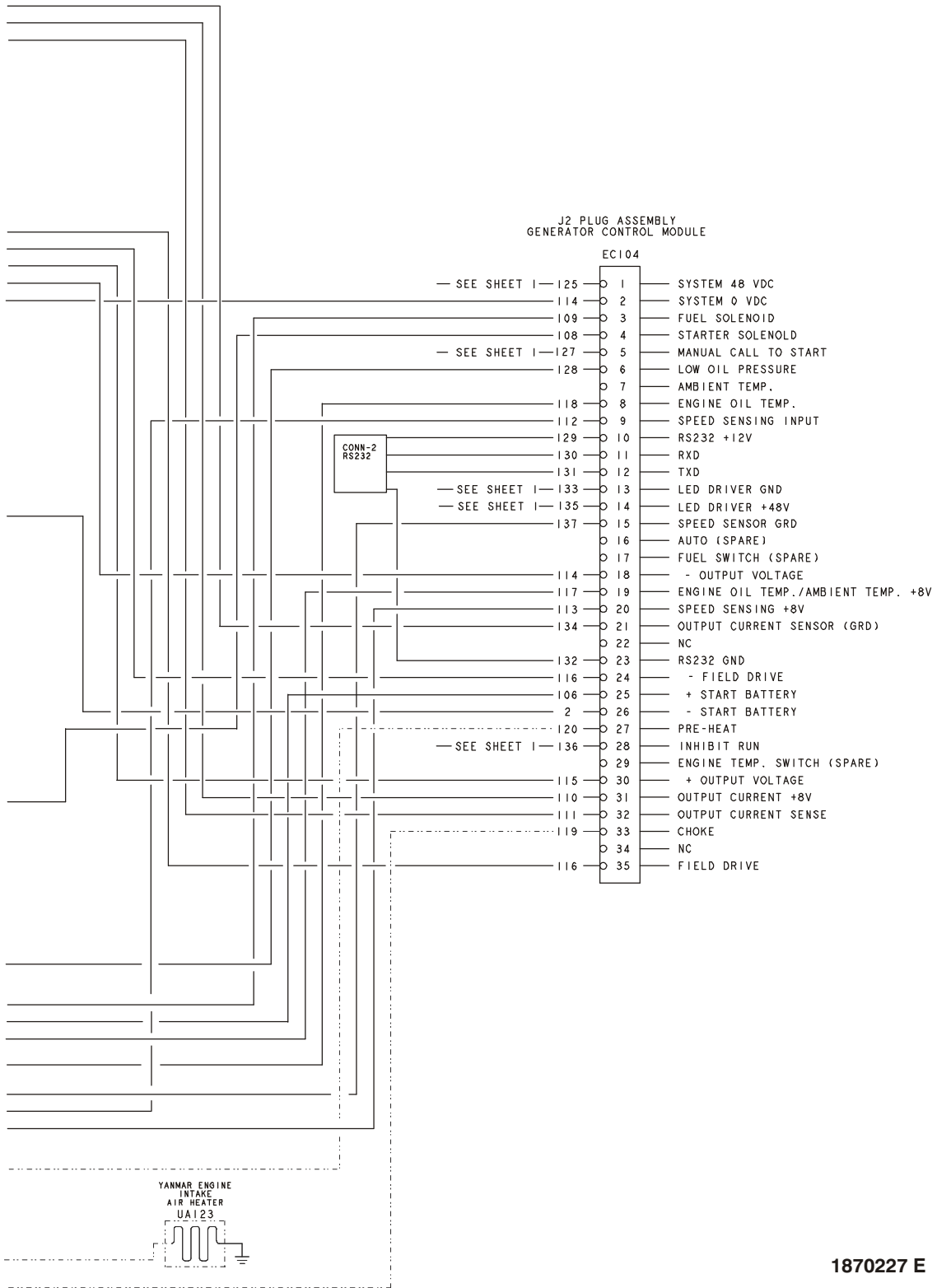


1870227E

SECTION 7 ELECTRICAL



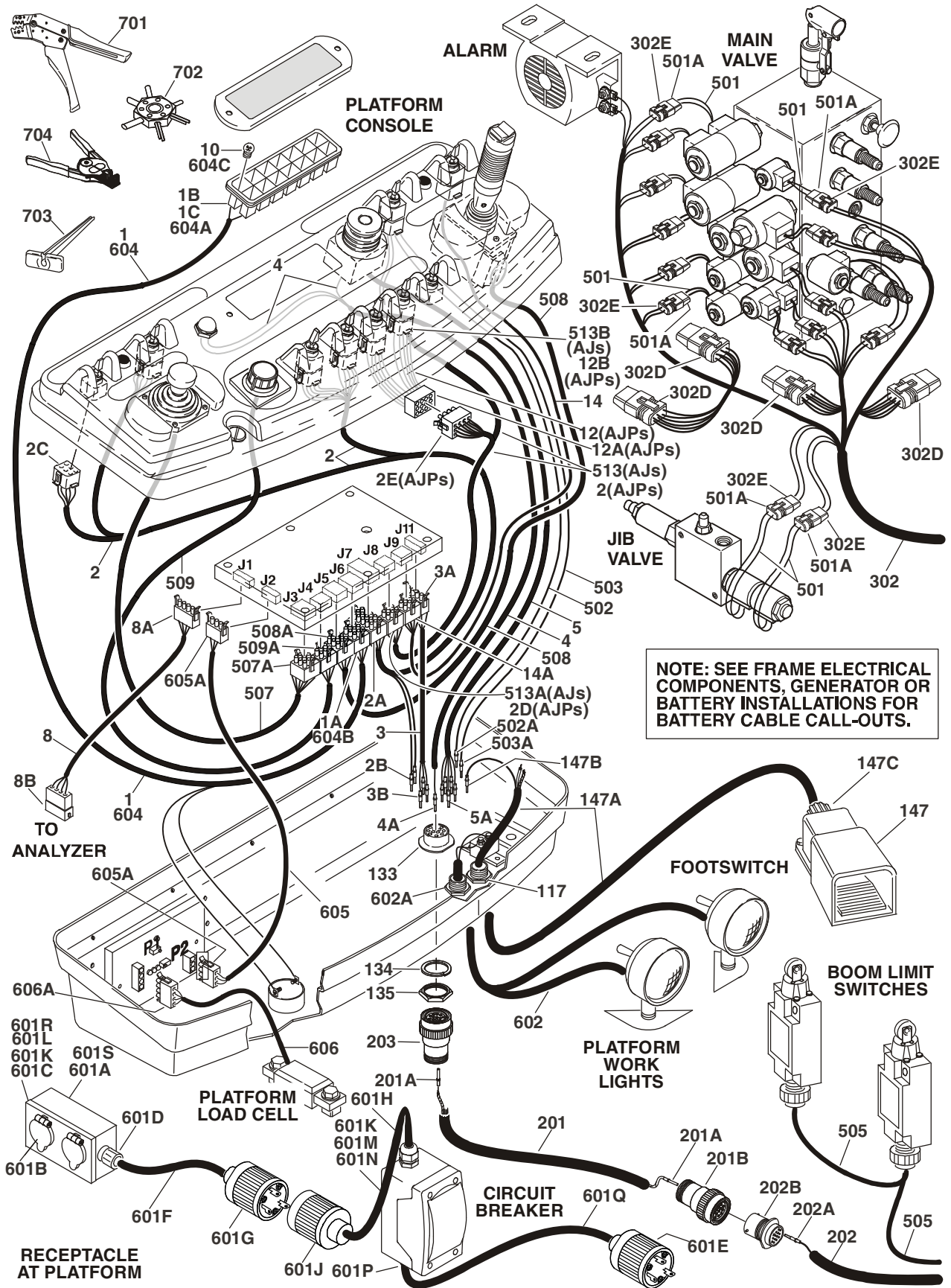
SECTION 7 ELECTRICAL



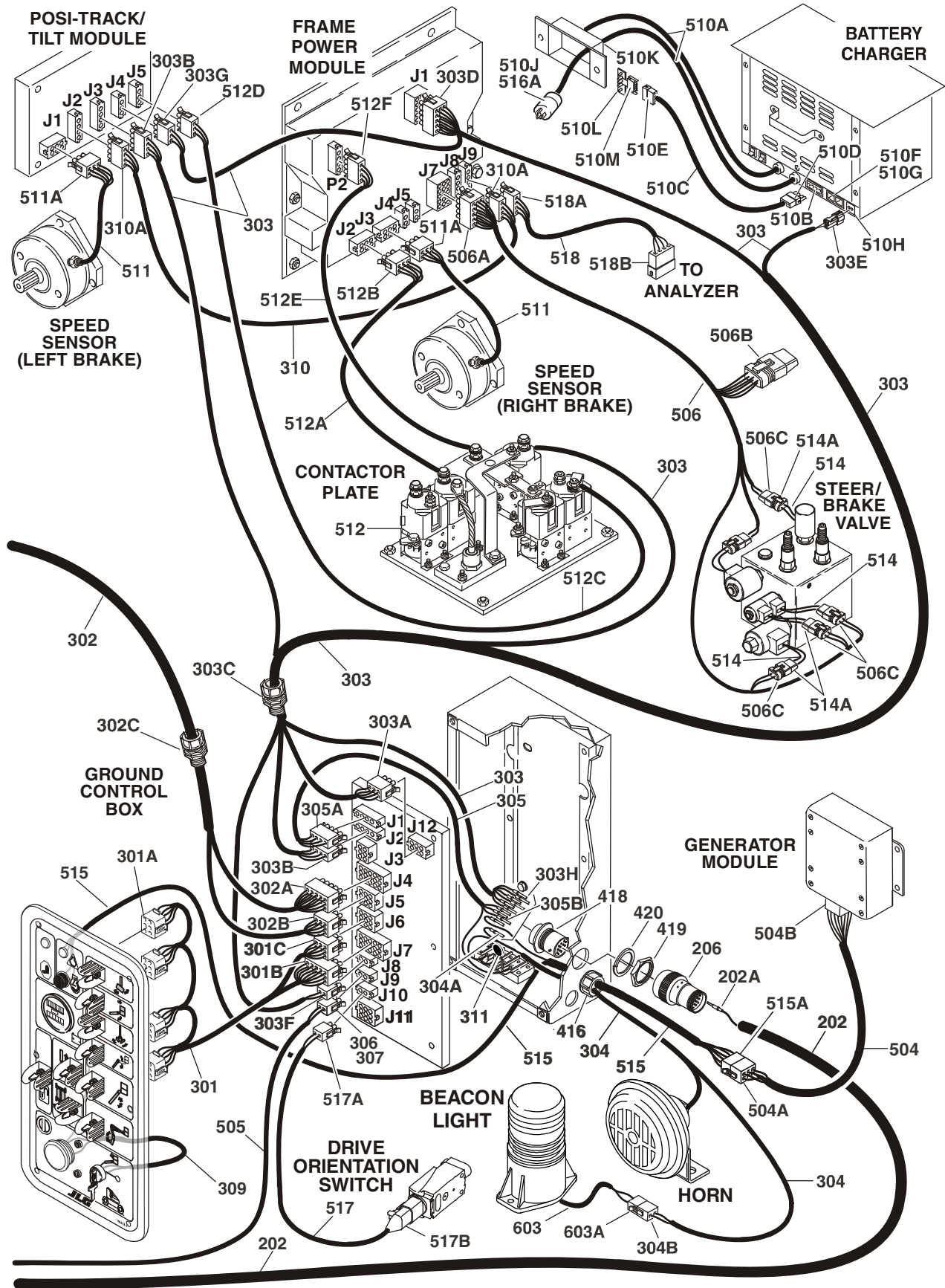
1870227 E

SECTION 7 ELECTRICAL

FIGURE 7-5. HARNESS COMPONENTS INSTALLATION (WITH MAC CHARGER)



SECTION 7 ELECTRICAL



SECTION 7 ELECTRICAL

FIGURE 7-5. HARNESS COMPONENTS INSTALLATION (WITH MAC CHARGER)

ITEM #	PART NUMBER	QTY.	DESCRIPTION	REV.
		Ref.	HARNESS COMPONENTS INSTALLATION	
		Ref.	PLATFORM BOX ELECTRICAL DIAGRAM	
	4933060	Ref.	A & AJ Models	7/L
	4933105	Ref.	AJP Models	5/G
1		1	Harness, Indicator Lamp	
	4922074		Harness Prior to S/N 0300141884	5/H
	1001109860		Harness S/N 0300141884 to Present	B
1A	4460265	1	Plug, Male - 9 Position	
	4460227	A/R	Pin, Male	
1B	4120035	A/R	Socket, Lamp	
1C	4460634	A/R	Socket (Single Wire)	
	4460635	A/R	Socket (Two Wire)	
2		1	Harness, Function Switch	
	4922060		A & AJ Models	2/C
	4922303		AJP Models	5/D
2A	4460434	1	Plug, Male - 15 Position	
	4460226	12	Pin, Male	
2B	4460464	2	Pin, Male	
2C	4460418	4	Connector, Female	
	4460419	12	Terminal	
2D	4460225	1	Plug, Male - 6 Position (AJP Models Only)	
	4460227	5	Socket, Female	
2E	4460343	1	Plug, Male - 12 Position (AJP Models Only)	
	4460227	10	Socket, Female	
3	4922071	1	Harness, Can Bus	2/B
3A	4460321	1	Plug, Male - 4 Position	
	4460227	2	Socket, Female	
	4460267	1	Pin, Male	
3B	4460464	3	Pin, Male	
4	4922118	1	Harness, Box Horn	2/B
4A	4460464	1	Pin, Male	
5	4922157	1	Harness, Miscellaneous	3/C
5A	4460464	5	Pin, Male	
6 to 7	Not Used			
8	4922160	1	Harness, Analyzer	3/C
8A	4460321	1	Plug, Male - 4 Position	
	4460226	4	Socket, Female	
8B	4460761	1	Connector, Female - 4 Position	
	4460227	4	Pin, Male	
9	Not Used			
10	2920129	3	Bulb, Light	
11	Not Used			
12	4922307	1	Jib Harness (AJP Models Only)	3/C
12A	4460367	1	Connector, Female - 12 Position	
	4460226	10	Socket, Female	
12B	4460260	6	Connector, Female	
	4460259	6	Terminal	

SECTION 7 ELECTRICAL

FIGURE 7-5. HARNESS COMPONENTS INSTALLATION (WITH MAC CHARGER)

ITEM #	PART NUMBER	QTY.	DESCRIPTION	REV.
13	Not Used			
14	1001116368	1	Harness, Drive Orientation Override Switch (S/N 0300141884 to Present)	A
14A	4460225	1	Plug, Male - 6 Position	
	4460227	2	Socket, Female	
		Ref.	PLATFORM BOX ASSEMBLY COMPONENTS	
101 to 116	Not Used			
117	4460428	1	Connector, Strain Relief	
118 to 132	Not Used			
133	4460752	1	Connector, 14 Position	
134	4460497	1	Nut, Conduit	
135	4460496	1	Lockwasher, Conduit	
136 to 146	Not Used			
147	0272971	1	Footswitch Assembly	B
147A	1060330	7ft/2.2m	Cable, Electrical - 16/3	
147B	4460464	A/R	Pin, Male	
147C	4460071	2	Connector, Strain Relief	
		Ref.	BOOM CABLES INSTALLATION	
	0257735	Ref.	E/M450A	8/G
	0259367	Ref.	E/M450AJ	4/D
	0270817	Ref.	E/M400A	4/B
	0259970	Ref.	E/M400AJP	5/C
201		1	Main Boom Harness Assembly Options:	
	4922178		E/M450A Models	3
	4922552		E/M450AJ Models (was p/n 4922178)	1
	4922496		E/M400A Models	2
	1060677	26.5ft/8.1m	Cable, Electrical (E/M450A Models)	
	1060677	28ft/8.53m	Cable, Electrical (E/M450AJ Models)	
	1060677	25.25ft/7.7m	Cable, Electrical (E/M400A Models)	
	4922364	1	E/M400AJP Models (Prior to S/N 0300071419)	1
	1060780	25.25ft/7.7m	Cable, Electrical - 18/6 (E400 & M400 Models)	
	1060781	25.25ft/7.7m	Cable, Electrical - 18/5 (E400 & M400 Models)	
	4922496		E/M400AJP Models (S/N 0300071419 to Present)	2
	1060677	25.25ft/7.7m	Cable, Electrical (E400 & M400 Models)	
201A	4460465	28	Socket, Female	
201B	4460754	1	Connector - 14 Position	
202		1	Tower Boom Harness Assembly Options:	
	4922179		E/M450A & E/M450AJ Models	3
	4922363		E/M400AJP Models	3
	4922495		E/M400A Models (Prior to S/N 0300071418)	2
	4922363		E/M400A Models (S/N 0300071418 to Present)	3
	1060677		Cable, Electrical Options: - 10/4-18/16	
		35.5ft/11m	E/M450A & E/M450AJ Models	
		32ft/9.8m	E/M400A & E/M400AJP Models	
202A	4460464	28	Pin, Male	

SECTION 7 ELECTRICAL

FIGURE 7-5. HARNESS COMPONENTS INSTALLATION (WITH MAC CHARGER)

ITEM #	PART NUMBER	QTY.	DESCRIPTION	REV.
202B	4460495	1	Connector - 14 Position Options: Prior to S/N 0300077939	
	4460752		S/N 0300077939 to Present	
203	4460754	1	Connector - 14 Position	
204 to 205	Not Used			
206	4460753	1	Connector - 14 Position	
		Ref.	GROUND CONTROL BOX DIAGRAM	
	4933059	Ref.	E/M450A (Prior to S/N 0300057534)	3/G
	4933128	Ref.	E/M450A (S/N 0300057534 to S/N 0300100540)	2/C
	4933388	Ref.	E/M450A (S/N 0300100540 to Present)	2/C
	4933128	Ref.	E/M450AJ, E/M400A & E/M400AJP (Prior to S/N 0300100540)	2/C
	4933388	Ref.	E/M450AJ, E/M400A & E/M400AJP (S/N 0300100540 to Present)	2/C
301		1	Function Switch Harness Assembly Options:	
	4922058		E/M450A (Prior to S/N 0300057534)	4/D
	4922366		E/M450A (S/N 0300057534 to S/N 0300100540)	2/B
	4923625		E/M450A (S/N 0300100540 to Present)	1/C
	4922366		E/M450AJ, E/M400A & E/M400AJP (Prior to S/N 0300100540)	2/B
	4923625		E/M450AJ, E/M400A & E/M400AJP (S/N 0300100540 to Present)	1/A
301A	4460418	A/R	Connector - 6 Position	
	4460419	A/R	Terminal, Female	
301B	4460434	1	Plug, Male - 15 Position	
	4460226	15	Socket, Female	
301C	4460265	1	Plug, Male - 9 Position	
	4460227	3	Pin, Male	
302		1	Harness Assembly - Valve	
	4922057		E/M450A Prior to S/N 0300057534	4/C
	4922367		E/M450A S/N 0300057534 to Present	2/C
	4922367		E/M450AJ, E/M400A & E/M400AJP	2/C
302A	4460434	1	Plug, Male - 15 Position	
	4460227	14	Pin, Male	
302B	4460265	1	Plug, Male - 9 Position	
	4460226	4	Socket, Female	
302C	4460425	1	Connector, Strain Relief	
302D		A/R	Components Options:	
			E/M450A Prior to S/N 0300057534	
	4460744	6	Connector, 6 Position	
	4460746	24	Socket, Female	
	4460745	4	Lock, Secondary	
	4460749	4	Cap, Shell	
	4460750	4	Bar, Buss - 6 Position	
	4460458	24	Seal	
	4460751	4	Clip, Mounting	

SECTION 7 ELECTRICAL

FIGURE 7-5. HARNESS COMPONENTS INSTALLATION (WITH MAC CHARGER)

ITEM #	PART NUMBER	QTY.	DESCRIPTION	REV.
302D (cont'd)			E/M450A S/N 0300057534 to Present & All E/M450AJ, E/M400A & E/M400AJP	
	4460836	2	Connector, 12 Position	
	4460837	2	Housing, Terminal - 12 Position	
	4460465	22	Pin, Terminal	
302E	4460742	17	Plug, Male - 2 Position	
	4460743	34	Terminal, Female	
	4460458	34	Seal	
303	4922104	1	Harness Assembly - Turntable/Frame (Includes Item 304 Also)	7/G
303A	4460225	1	Plug, Male - 6 Position	
	4460268	6	Socket, Female	
303B	4460321	2	Plug, Male - 4 Position	
	4460227	2	Pin, Male	
	4460267	8	Pin, Male	
303C	4460425	1	Connector, Strain Relief	
303D	4460343	1	Plug, Male, 12 Position	
	4460268	12	Socket, Female	
303E	4460320	1	Plug, Male, 2 Position	
	4460268	2	Socket, Female	
303F	4460320	1	Plug, Male, 2 Position	
	4460267	2	Pin, Male	
303G	4460326	1	Plug, Male, 3 Position	
	4460267	3	Pin, Male	
303H	4460465	6	Socket, Female	
304	4922073	1	Harness Assembly - Horn/Beacon (A Models Only)	5/E
	3990001	1	Diode (Not Shown)	
304A	4460465	1	Socket, Female	
304B	4460424	1	Plug, Male, 2 Position	
	4460268	2	Socket, Female	
305	4922117	1	Harness Assembly - Ground Control Can	3/B
305A	4460321	1	Plug, Male - 4 Position	
	4460227	2	Pin, Male	
	4460267	1	Pin, Male	
305B	4460465	1	Socket, Female	
306	4460320	1	Plug, Male, 2 Position	
307	4460268	2	Socket, Female	
308	Not Used			
309	4922267	1	Harness Assembly - Power Supply	3/C
310	4922263	1	Harness Assembly - Posi-Track Module Can	2/A
310A	4460321	2	Plug, Male - 4 Position	
	4460227	4	Pin, Male	
	4460267	2	Pin, Male	
311	3990106	1	Limiters, Inrush	
		Ref.	GROUND CONTROL BOX ASSY COMPONENTS	
401 to 415	Not Used			
416	4460425	1	Connector, Strain Relief	
417	Not Used			

SECTION 7 ELECTRICAL

FIGURE 7-5. HARNESS COMPONENTS INSTALLATION (WITH MAC CHARGER)

ITEM #	PART NUMBER	QTY.	DESCRIPTION	REV.
418	4460495	1	Connector, Male - 14 Position	
419	4460497	1	Nut, Conduit	
420	4460496	1	Lockwasher	
		Ref.	STANDARD HARNESS COMPONENTS	
501	See Note	17	Solenoid Harness (Note: Not Available - Purchase Complete Solenoid)	
501A	4460867	17	Connector, Female - 2 Position	
	4460979	34	Terminal, Male	
	4460458	34	Seal	
502	4922222	1	Generator Enable Harness (Yellow/Red) (M450 & M400 Only)	B
502A	4460464	1	Pin, Male	
503	4922223	1	Generator Enable Harness (White/Yellow) (M450A & M400 Only)	A
503A	4460464	1	Pin, Male	
504		1	Generator Harness (M450 & M400 Only)	
	7020155		Prior to S/N 0300063771	
	7023486		S/N 0300063771 to S/N 0300088539	
	70000328		S/N 88539 to Present	
504A	4460224	1	Connector, Female - 6 Position	
	4460809	1	Plug, Sealing	
	4460268	5	Socket, Female	
504B	7023337	1	Receptacle - 35 Position	
	7023338	35	Pin, Male	
505		1	Boom Limit Switches Harness Options:	
	1060341	58ft/17.7m	Cable, Electrical - 16/2 (Prior to S/N 0300063768)	
	4922614	1	Cable, Electrical (Lower) (S/N 0300063768 to Present) (Includes Limit Switch)	
	4922613	1	Cable, Electrical (Upper) (S/N 0300063768 to Present) (Includes Limit Switch)	
506	4922328	1	Harness Assembly - Valve	
506A	4460434	1	Plug, Male - 15 Position	
	4460226	7	Socket, Female	
506B	4460749	1	Cap, Shell	
	4460750	1	Bar, Buss - 6 Position	
	4460744	1	Connector, 6 Position	
	4460745	1	Lock, Secondary	
	4460746	5	Socket, Female	
	4460458	6	Seal	
	4460748	1	Plug, Cavity	
	4460751	1	Clip, Mounting	
506C	4460742	5	Plug, Male - 2 Position	
	4460743	10	Terminal, Female	
	4460458	10	Seal	
507	See Note	1	Controller Harness Assembly (Lift and Swing) (Note: Not Available - Purchase Complete Controller)	
507A	4460265	1	Plug, Male - 9 Position	
	4460226	8	Socket, Female	

SECTION 7 ELECTRICAL

FIGURE 7-5. HARNESS COMPONENTS INSTALLATION (WITH MAC CHARGER)

ITEM #	PART NUMBER	QTY.	DESCRIPTION	REV.
508	See Note	1	Controller Harness/Circuit Board Assembly (Drive and Steer) (Note: Not Available - Purchase Complete Controller)	
508A	4460265	1	Plug, Male - 9 Position	
	4460226	7	Socket, Female	
509	See Note	1	Controller Harness Assembly (Speed) (Note: Not Available - Purchase Complete Controller)	
509A	4460225	1	Plug, Male - 6 Position	
	4460226	4	Socket, Female	
510		A/R	Battery Charger Components	
510A		1	AC Cord Options:	
	1060777		Prior to S/N 0300082279	
	1060759		S/N 0300082279 to Present	
510B	7020693	1	LED Internal Harness	
	4460761	1	Connector, Female - 4 Position	
	4460227	4	Male Pin	
510C	1060778	1	LED Remote Harness	
510D	4460321	1	Plug, Male - 4 Position	
	4460226	4	Socket, Female	
510E	4460761	1	Connector, Female - 4 Position	
	4460226	4	Socket, Female	
510F		1	DC Cord Options:	
	7020644		Charger with Automotive Fuse	
	7022909		Charger with Bussman Fuse	
510G	7011590	1	Connector, DC	
510H	7011621	1	Connector, Enable Switch	
510J		1	Plug, Connector (Not Supplied with Charger)	
	4460805		Australian Spec	
	See Item 516		CE Spec	
510K	4460428	1	Connector, Strain Relief (Not Supplied with Charger)	
510L	0610131	1	LED Assembly (Not Supplied with Charger)	
510M	4460321	1	Plug, Male - 4 Position	
	4460227	4	Male Pin	
511	Use 3990105	2	Speed Sensor Harness (P/N 3990105 Includes Sensor)	
511A	4460225	1	Plug, Male - 6 Position	
	4460226	4	Socket, Female	
512	1600294	1	Contactorm Plate Assembly	
512A	7022003	1	Contactorm Harness	
512B	4460225	1	Plug, Male - 6 Position	
	4460226	6	Socket, Female	
512C	7022004	1	Posi-Track Harness	
512D	4460326	1	Plug, Male - 3 Position	
	4460227	3	Pin, Male	
512E	7022005	1	Shunt Harness	
512F	4460321	1	Plug, Male - 4 Position	
	4460227	4	Pin, Male	
513	4922294	1	Jib Harness (AJ Models Only)	1/B
513A	4460225	1	Plug, Male - 6 Position	
	4460227	3	Pin, Male	
513B	4460418	1	Connector, Female	
	4460419	3	Terminal	

SECTION 7 ELECTRICAL

FIGURE 7-5. HARNESS COMPONENTS INSTALLATION (WITH MAC CHARGER)

ITEM #	PART NUMBER	QTY.	DESCRIPTION	REV.
514	See Note	5	Solenoid Harnesses - Steer/Brake Valve (Note: Not Available - Purchase Complete Solenoid)	
514A	4460867	5	Connector, Female - 2 Position	
	4460979	10	Terminal, Male	
	4460458	10	Seal	
515	4922319	1	Harness, Generator to Ground Control Box	1/A
515A	4460225	1	Plug, Male - 6 Position	
	4460807	1	Seal, Terminal	
	4460808	1	Seal, Terminal	
	4460809	1	Plug, Sealing	
	4460267	5	Pin, Terminal	
516		Ref.	Plug Charger Installation	
	0275663	Ref.	220V with CEE 7 Post Ground Receptacle & Plug & Circuit Breaker (70mm x 70mm Box)	A
	0275664	Ref.	220V with CEE 7 Side Ground Receptacle & Plug & Circuit Breaker (70mm x 70mm Box)	A
	0275665	Ref.	220V with AFSINT 107 Keyed Ground Receptacle & Plug & Circuit Breaker (2x4 Box)	A
	0275666	Ref.	110V with IEC Yellow Receptacle & Plug & Circuit Breaker	A
	0275667	Ref.	220V with IEC Blue Receptacle & Plug & Circuit Breaker	A
516A		1	Plug Options:	
	4461202		0275663 Installation	
	4461205		0275664 Installation	
	4461249		0275665 Installation	
	4461196		0275666 Installation	
	4461199		0275667 Installation	
517	1001116522	1	Harness, Drive Orientation Limit Switch (S/N 0300141884 to Present Only)	B
517A	4460320	1	Plug, Male - 2 Position	
	4460227	2	Pin, Male	
517B	4460884	1	Plug, Male - 4 Position	
	4460465	2	Socket, Female	
	4460466	2	Seal	
518	4922160	1	Harness, Analyzer	3/C
518A	4460321	1	Plug, Male - 4 Position	
	4460226	4	Socket, Female	
518B	4460761	1	Connector, Female - 4 Position	
	4460227	4	Pin, Male	
		Ref.	OPTIONAL HARNESS COMPONENTS	
601			AC to Platform Receptacle Components Options:	
	0253717	Ref.	220V Receptacle (E/M400) (Prior to S/N 0300062642)	1
	0271464	Ref.	220V Receptacle (E/M400) (S/N 0300062642 to Present)	2
	0259127	Ref.	220V Receptacle (E/M450)	2
	0275892	Ref.	220V with CEE 7 Post Ground Receptacle & Plug & Circuit Breaker (2x4 Box) (E/M400)	C
	1001091435	Ref.	220V with CEE 7 Post Ground Receptacle & Plug & Circuit Breaker (2x4 Box) (E/M450)	B
	0275893	Ref.	220V with CEE 7 Side Ground Receptacle & Plug & Circuit Breaker (2x4 Box) (E/M400)	C

SECTION 7 ELECTRICAL

FIGURE 7-5. HARNESS COMPONENTS INSTALLATION (WITH MAC CHARGER)

ITEM #	PART NUMBER	QTY.	DESCRIPTION	REV.
601 (cont'd)	1001091436	Ref.	220V with CEE 7 Side Ground Receptacle & Plug & Circuit Breaker (2x4 Box) (E/M450)	B
	0275894	Ref.	220V with AFSINT 107 Keyed Ground Receptacle & Plug & Circuit Breaker (2x4 Box) (E/M400)	C
	1001091437	Ref.	220V with AFSINT 107 Keyed Ground Receptacle & Plug & Circuit Breaker (2x4 Box) (E/M450)	B
	0275895	Ref.	110V with IEC Yellow Receptacle & Plug & Circuit Breaker (E/M400)	C
	1001091438	Ref.	110V with IEC Yellow Receptacle & Plug & Circuit Breaker (E/M450)	B
	0275896	Ref.	220V with IEC Blue Receptacle & Plug & Circuit Breaker (E/M400)	C
	1001091439	Ref.	220V with IEC Blue Receptacle & Plug & Circuit Breaker (E/M450)	B
	0275897	Ref.	220V with CEE 7 Post Ground Receptacle & Plug & Circuit Breaker (70mm x 70mm Box) (E/M400)	C
	1001091440	Ref.	220V with CEE 7 Post Ground Receptacle & Plug & Circuit Breaker (70mm x 70mm Box) (E/M450)	B
	0275898	Ref.	220V with CEE 7 Side Ground Receptacle & Plug & Circuit Breaker (70mm x 70mm Box) (E/M400)	C
	1001091441	Ref.	220V with CEE 7 Side Ground Receptacle & Plug & Circuit Breaker (70mm x 70mm Box) (E/M450)	B
601A	1	Box, Switch Options: 0271464 & 0259127 Installation (Purchase Locally) 0275892, 0275893, 0275894, 1001091435, 1001091436 & 1001091437 Installation 0275895, 0275896, 1001091438 & 1001091439 Installation 0275897, 0275898, 1001091440 & 1001091441 Installations (Note: Was p/n 0861782 which is no longer available. Use p/n 1001100344 CEE 7 Side Ground Service Kit or p/n 1001100343 CEE 7 Post Ground Service Kit. Kit include Box p/n 1001141967 & items 601B, 601C & 601E.)		
	Not Required			
	0861731			
	0861781			
	See Note			
	1001141967		1001100343, 1001100344, 1001141970 & 1001141971 Kits	
601B	1	Receptacle Options: 0271464 & 0259127 Installation (Purchase Locally) 0275892 & 1001091435 Installation 0275893 & 1001091436 Installation 0275894 & 1001091437 Installation 0275895 & 1001091438 Installation 0275896 & 1001091439 Installation 0275897 & 1001091440 Installation (was p/n 4461204 & 1001141971) 0275898 & 1001091441 Installation (was p/n 4461207 & 1001141970) 1001100343 & 1001141971 Kits 1001100344 & 1001141970 Kits		
	Not Required			
	4461244			
	4461245			
	4461246			
	4461198			
	4461201			
	Use 1001100343			
	Use 1001100344			
	1001141968			
	1001141969			
601C	1	Shield, Cover Options: 0271464 & 0259127 Installation (Purchase Locally) 0275892 & 1001091435 Installation 0275893 & 1001091436 Installation		
	Not Required			
	4461244			
	4461245			

SECTION 7 ELECTRICAL

FIGURE 7-5. HARNESS COMPONENTS INSTALLATION (WITH MAC CHARGER)

ITEM #	PART NUMBER	QTY.	DESCRIPTION	REV.
601C (cont'd)	4461246		0275894 & 1001091437 Installation	
	4461198		0275895 & 1001091438 Installation	
	4461201		0275896 & 1001091439 Installation	
	Use 1001100343		0275897 & 1001091440 Installation (was p/n 4461204 & 1001141971)	
	Use 1001100344		0275898 & 1001091441 Installation (was p/n 4461207 & 1001141970)	
	1001141968 1001141969		1001100343 & 1001141971 Kits 1001100344 & 1001141970 Kits	
601D		1	Connector, Strain Relief Options:	
	Not Required		0271464 & 0259127 Installation (Purchase Locally)	
	4460968		0275892, 0275893, 0275894, 1001091435, 1001091436 & 1001091437 Installation (Prior to S/N 0300108574)	
	4460662		0275892, 0275893, 0275894, 1001091435, 1001091436 & 1001091437 Installation (S/N 0300108574 to Present)	
	4460968		0275895, 0275896, 0275897, 0275898, 1001091438, 1001091439, 1001091440 & 1001091441 Installation	
601E		1	Plug, Male Options (All Specs):	
	Not Required		0271464 & 0259127 Installation (Purchase Locally)	
	4461202		0275892, 0275897, 1001091435 & 1001091440 Installation & 1001100343 & 1001141971 Kits	
	4461205		0275893, 0275898, 1001091436 & 1001091441 Installation & 1001100344 & 1001141970 Kits	
	4461249		0275894 & 1001091437 Installation	
	4461196 4461199		0275895 & 1001091438 Installation 0275896 & 1001091439 Installation	
601F		1	Harness (Main Boom) Options (All Specs):	
	4921595		Harness (E/M450) (Prior to S/N 0300063775)	2/A
	4922610		Harness (E/M450) (S/N 0300063775 to Present)	1/A
	4921571		Harness (E/M400) (Prior to S/N 0300062642)	2/A
	4922610		Harness (E/M400) (S/N 0300062642 to Present)	1/A
	1060461	A/R 32ft/9.75m	Electrical Cable - 12/3 Options: E/M450 E/M400	
601G	4460709	1	Plug, Male (All Specs)	
601H		1	Harness (Tower Boom) Options (All Specs):	
	4921594		Harness (E/M450) (Prior to S/N 0300063775)	2/A
	4922609		Harness (E/M450) (S/N 0300063775 to Present)	2/A
	4921570		Harness (E/M400) (Prior to S/N 0300062642)	2/A
	4922612		Harness (E/M400) (S/N 0300062642 to Present)	2/B
	1060461	A/R A/R A/R A/R	Electrical Cable - 12/3 Options: E/M450 E/M400 (Prior to S/N 0300062642) E/M400 (S/N 0300062642 to Present)	
601J		1	Connector, Female (All Specs) Options:	
	4460134		Prior to S/N 0300102882	
	4460710		S/N 0300102882 to Present	
601K		A/R	Hardware Options:	
	0641405		Bolt 1/4in - 20NC x 5/8in	
	0641407		Bolt 1/4in - 20NC x 7/8in	

SECTION 7 ELECTRICAL

FIGURE 7-5. HARNESS COMPONENTS INSTALLATION (WITH MAC CHARGER)

ITEM #	PART NUMBER	QTY.	DESCRIPTION	REV.
601K (cont'd)	0641416		Bolt 1/4in - 20NC x 2in	
	0700408		Screw M4 x 16mm	
	3290405		Locknut M4	
	3311405		Locknut 1/4in - 20NC	
	4711400		Flatwasher 1/4in (Narrow)	
	4751400		Flatwasher 1/4in (Wide)	
	4811400		Flatwasher M4	
601L		A/R	Bracket, Receptacle Box Mounting Options:	
	Not Required	0	020271464 & 0259127 Installation	
	0903484	1	0275892, 0275893, 0275894, 0275895, 0275896, 0275897, 0275898, 1001091435, 1001091436, 1001091437, 1001091438, 1001091439, 1001091440 & 1001091441 Installation	
601M		A/R	Bracket, Circuit Breaker Mounting Options:	
	Not Required	0	0271464 & 0259127 Installation	
	0903612	1	0275892, 0275893, 0275894, 0275895, 0275896, 0275897, 0275898, 1001091435, 1001091436, 1001091437, 1001091438, 1001091439, 1001091440 & 1001091441 Installation	
601N	2902549	A/R	Circuit Breaker Kit (Includes items indented below and 601P & 601Q) (Required Only on CE Spec Installations Except 0271464 & 0259127 Installation):	D
	See Note	1	Circuit Breaker 16 Amp (Prior to S/N 0300136275)	
		Ref.	Note: Was p/n 2400093. Use qty 1 each of p/ns 1001109475 and 1001109482 as replacement.	
	1001109475	1	Circuit Breaker 16Amp (S/N 0300136275 to Present)	
	1001109482	1	Circuit Breaker 30Amp (S/N 0300136275 to Present)	
	0861880	1	Breaker Box	
	4460956	1	Barrier, Terminal Block	
	4460957	1	Terminal Block	
601P		2	Connector, Strain Relief Options:	
	4460633		M20 (Prior to S/N 0300117527)	
	1001097150		M25 (S/N 0300117527 to Present)	
601Q	1060908	6ft/1.8m	Cable, Extension	
601R		A/R	Decal Options:	
	Not Required	0	0271464 & 0259127 Installation	
	1705325	1	Decal - 110 Volt (0275895 & 1001091438 Installation):	
	3252507	1	Decal - 220 Volt (0275892, 0275893, 0255894, 0275896, 0275897, 0275898, 1001091435, 1001091436, 1001091437, 1001091439, 1001091440 & 1001091441 Installation):	
601S		1	Receptacle Box Kit Options:	
	0275452		Receptacle Box Kit (220V CEE 7 Post Ground) (Includes Items 601A, 601B, 601C & 601E) (0275892 & 1001091435 Installation)	1
	0275453		Receptacle Box Kit (220V CEE 7 Side Ground) (Includes Items 601A, 601B, 601C & 601E) (0275893 & 1001091436 Installation)	1
	0275454		Receptacle Box Kit (220V AFSINT 107 Keyed Ground) (Includes Items 601A, 601B, 601C & 601E) (0275894 & 1001091437 Installation)	1

SECTION 7 ELECTRICAL

FIGURE 7-5. HARNESS COMPONENTS INSTALLATION (WITH MAC CHARGER)

ITEM #	PART NUMBER	QTY.	DESCRIPTION	REV.
601S (cont'd)	0275216		Receptacle Box Kit (110V IEC Yellow) (Includes Items 601A, 601B, 601C & 601E) (0275895 & 1001091438 Installation)	1
	0275217		Receptacle Box Kit (220V IEC Blue) (Includes Items 601A, 601B, 601C & 601E) (0275896 & 1001091439 Installation)	1
	Use 1001100343		Receptacle Box Kit (220V CEE 7 Post Ground) (Includes Items 601A, 601B, 601C & 601E) (0275897 & 1001091440 Installation) (was p/n 0275218)	B/2
	Use 1001100344		Receptacle Box Kit (220V CEE 7 Side Ground) (Includes Items 601A, 601B, 601C & 601E) (0275898 & 1001091441 Installation) (was p/n 0275219)	B/2
602	2920095	2	Platform Worklights Harness (Includes Light and Wire Only)	
602A	4460428	1	Connector, Strain Relief	
603	See Note	1	Strobe Light Harness (Note: Not Available - Purchase Complete Strobe Light)	
603A	4460320	1	Plug, Male, 2 Position	
	4460268	2	Socket, Female	
604	4922534	1	Platform Overload Sensing Light Harness	
604A	4120035	1	Base, Light	
604B	4460227	1	Pin, Male	
604C	2920129	1	Bulb, Light	
605	4922443	1	Platform Overload Sensing PC Board to Platform Module Harness	
605A	4460326	2	Plug, Male - 3 Position	
	4460226	3	Socket, Female	
606	See Note	1	Platform Overload Sensing PC Board to Load Cell Harness (Front Entry Platform Only) (Note: Not Available for Purchase) Note: For Side Entry Platform Refer to JLG Supplement 3124287.	
606A	4460321	1	Plug, Male - 4 Position	
	4460226	3	Socket, Female	
	4460268	1	Socket, Female	
606B	4460428	1	Receptacle, Strain Relief (Not Shown for Clarity)	
		Ref.	TOOLS	
701	7002821	1	Crimper (For Wire to Pin/Socket Connections)	
702	7002823	1	Extractor (For Removal of Pin/Socket from Connectors)	
703	4460467	1	Extractor, Pin (Blue 16-18 Gauge) (For Removal of Pin/Socket from Connectors)	
	4460510	1	Extractor, Pin (Yellow 12-14 Gauge) (For Removal of Pin/Socket from Connectors)	
704	7002828	1	Stripper, Wire	
705	2901443	1	Analyzer, Machine (Not Shown)	

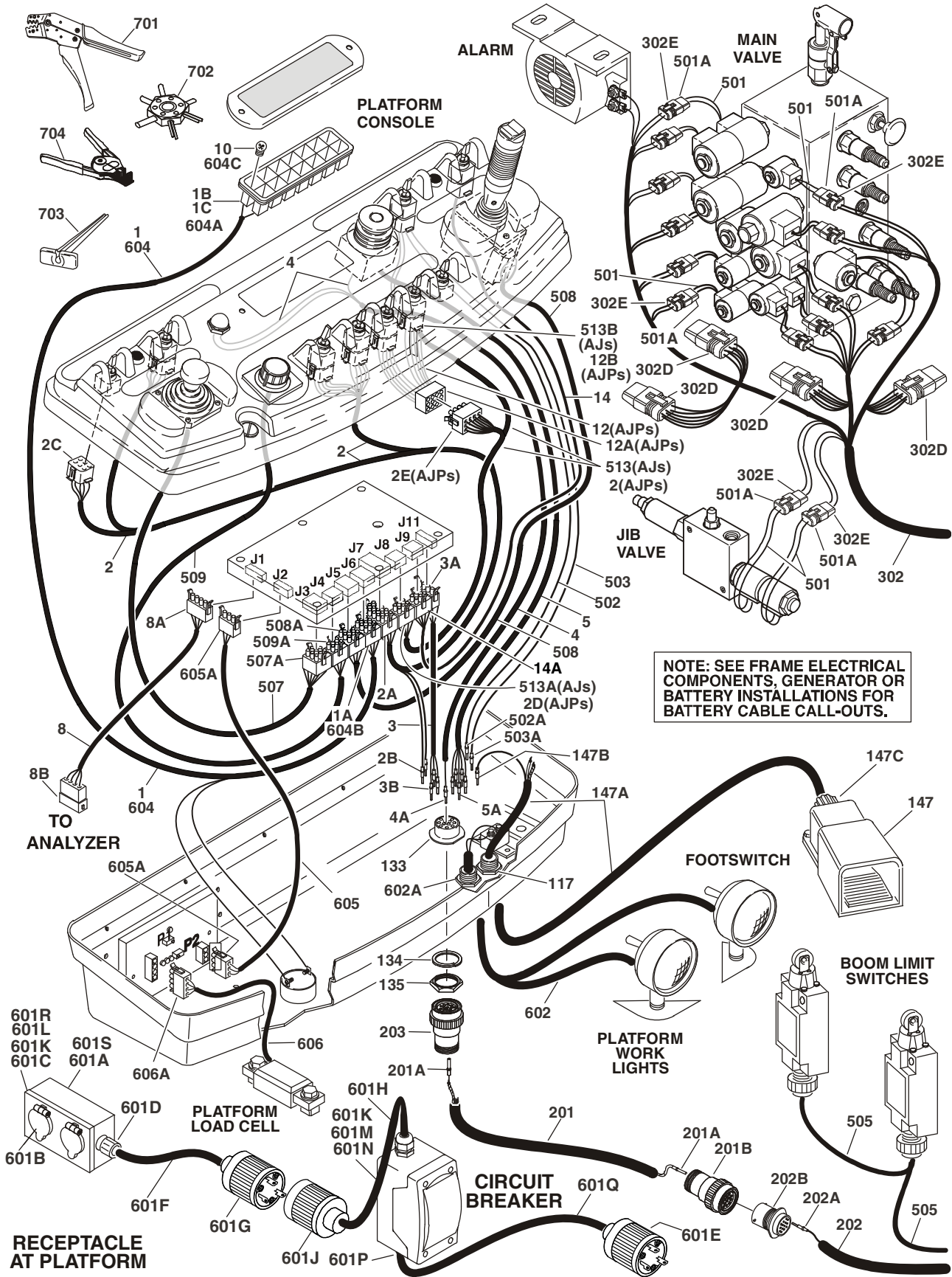
SECTION 7 ELECTRICAL

FIGURE 7-5. HARNESS COMPONENTS INSTALLATION (WITH MAC CHARGER)

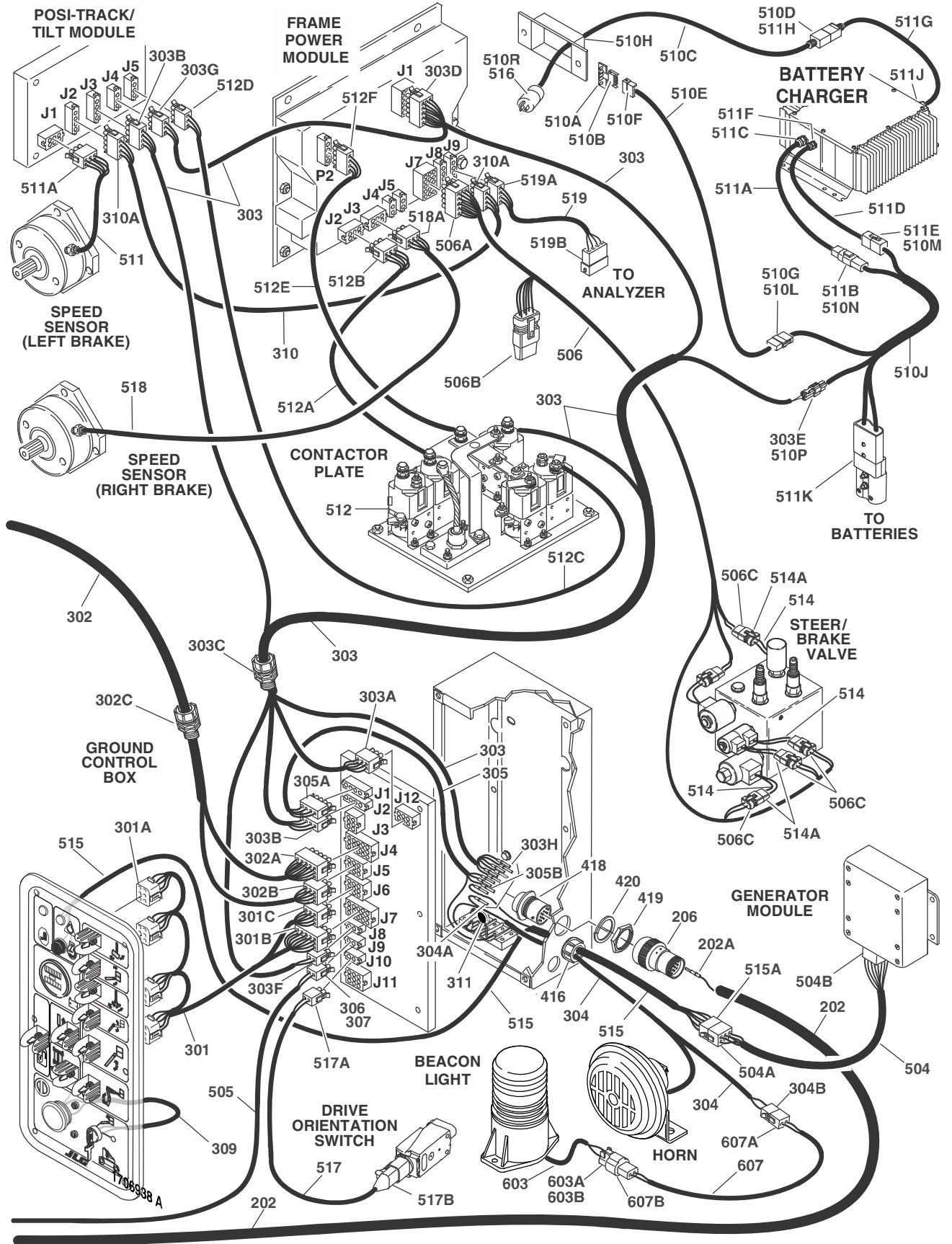
ITEM #	PART NUMBER	QTY.	DESCRIPTION	REV.

SECTION 7 ELECTRICAL

FIGURE 7-6. HARNESS COMPONENTS INSTALLATION (WITH DELTA-Q CHARGER)



SECTION 7 ELECTRICAL



SECTION 7 ELECTRICAL

FIGURE 7-6. HARNESS COMPONENTS INSTALLATION (WITH DELTA-Q CHARGER)

ITEM #	PART NUMBER	QTY.	DESCRIPTION	REV.
		Ref.	PLATFORM BOX ELECTRICAL DIAGRAM	
	4933060	Ref.	A & AJ Models	7/L
	4933105	Ref.	AJP Models	5/G
1	1001109860	1	Harness, Indicator Lamp	B
1A	4460265	1	Plug, Male - 9 Position	
	4460227	A/R	Pin, Male	
1B	4120035	A/R	Socket, Lamp	
1C	4460634	A/R	Socket (Single Wire)	
	4460635	A/R	Socket (Two Wire)	
2		1	Harness, Function Switch	
	4922060		A & AJ Models	2/C
	4922303		AJP Models	5/D
2A	4460434	1	Plug, Male - 15 Position	
	4460226	12	Pin, Male	
2B	4460464	2	Pin, Male	
2C	4460418	4	Connector, Female	
	4460419	12	Terminal	
2D	4460225	1	Plug, Male - 6 Position (AJP Models Only)	
	4460227	5	Socket, Female	
2E	4460343	1	Plug, Male - 12 Position (AJP Models Only)	
	4460227	10	Socket, Female	
3	4922071	1	Harness, Can Bus	2/B
3A	4460321	1	Plug, Male - 4 Position	
	4460227	2	Socket, Female	
	4460267	1	Pin, Male	
3B	4460464	3	Pin, Male	
4	4922118	1	Harness, Box Horn	2/B
4A	4460464	1	Pin, Male	
5	4922157	1	Harness, Miscellaneous	3/C
5A	4460464	5	Pin, Male	
6 to 7	Not Used			
8	4922160	1	Harness, Analyzer	3/C
8A	4460321	1	Plug, Male - 4 Position	
	4460226	4	Socket, Female	
8B	4460761	1	Connector, Female - 4 Position	
	4460227	4	Pin, Male	
9	Not Used			
10	2920129	3	Bulb, Light	
11	Not Used			
12	4922307	1	Jib Harness (AJP Models Only)	3/C
12A	4460367	1	Connector, Female - 12 Position	
	4460226	10	Socket, Female	
12B	4460260	6	Connector, Female	
	4460259	6	Terminal	
13	Not Used			
14	1001116368	1	Harness, Drive Orientation Override Switch	A
14A	4460225	1	Plug, Male - 6 Position	
	4460227	2	Socket, Female	

SECTION 7 ELECTRICAL

FIGURE 7-6. HARNESS COMPONENTS INSTALLATION (WITH DELTA-Q CHARGER)

ITEM #	PART NUMBER	QTY.	DESCRIPTION	REV.
		Ref.	PLATFORM BOX ASSEMBLY COMPONENTS	
101 to 116	Not Used			
117	4460428	1	Connector, Strain Relief	
118 to 132	Not Used			
133	4460752	1	Connector, 14 Position	
134	4460497	1	Nut, Conduit	
135	4460496	1	Lockwasher, Conduit	
136 to 146	Not Used			
147	0272971	1	Footswitch Assembly	B
147A	1060330	7ft/2.2m	Cable, Electrical - 16/3	
147B	4460464	A/R	Pin, Male	
147C	4460071	2	Connector, Strain Relief	
		Ref.	BOOM CABLES INSTALLATION	
	0257735	Ref.	E/M450A	8/G
	0259367	Ref.	E/M450AJ	4/D
	0270817	Ref.	E/M400A	4/B
	0259970	Ref.	E/M400AJP	5/C
201		1	Main Boom Harness Assembly Options:	
	4922178		E/M450A Models	3
	4922552		E/M450AJ Models	1
	4922496		E/M400A Models	2
	1060677	26.5ft/8.1m	Cable, Electrical (E/M450A Models)	
	1060677	28ft/8.53m	Cable, Electrical (E/M450AJ Models)	
	1060677	25.25ft/7.7m	Cable, Electrical (E/M400A Models)	
	4922496		E/M400AJP Models	2
	1060677	25.25ft/7.7m	Cable, Electrical (E400 & M400 Models)	
201A	4460465	28	Socket, Female	
201B	4460754	1	Connector - 14 Position	
202		1	Tower Boom Harness Assembly Options:	
	4922179		E/M450A & E/M450AJ Models	3
	4922363		E/M400AJP Models	3
	4922363		E/M400A Models	3
	1060677		Cable, Electrical Options: - 10/4-18/16	
		35.5ft/11m	E/M450A & E/M450AJ Models	
		32ft/9.8m	E/M400A & E/M400AJP Models	
202A	4460464	28	Pin, Male	
202B	4460752	1	Connector - 14 Position	
203	4460754	1	Connector - 14 Position	
204 to 205	Not Used			
206	4460753	1	Connector - 14 Position	

SECTION 7 ELECTRICAL

FIGURE 7-6. HARNESS COMPONENTS INSTALLATION (WITH DELTA-Q CHARGER)

ITEM #	PART NUMBER	QTY.	DESCRIPTION	REV.
		Ref.	GROUND CONTROL BOX DIAGRAM	
	4933388	Ref.	E/M450A	2/C
	4933388	Ref.	E/M450AJ, E/M400A & E/M400AJP	2/C
301		1	Function Switch Harness Assembly Options:	
	4923625		E/M450A	1/C
	4923625		E/M450AJ, E/M400A & E/M400AJP	1/A
301A	4460418	A/R	Connector - 6 Position	
	4460419	A/R	Terminal, Female	
301B	4460434	1	Plug, Male - 15 Position	
	4460226	15	Socket, Female	
301C	4460265	1	Plug, Male - 9 Position	
	4460227	3	Pin, Male	
302		1	Harness Assembly - Valve	
	4922367		E/M450A	2/C
	4922367		E/M450AJ, E/M400A & E/M400AJP	2/C
302A	4460434	1	Plug, Male - 15 Position	
	4460227	14	Pin, Male	
302B	4460265	1	Plug, Male - 9 Position	
	4460226	4	Socket, Female	
302C	4460425	1	Connector, Strain Relief	
302D	4460836	2	Connector, 12 Position	
	4460837	2	Housing, Terminal - 12 Position	
	4460465	22	Pin, Terminal	
302E	4460742	17	Plug, Male - 2 Position	
	4460743	34	Terminal, Female	
	4460458	34	Seal	
303	4922104	1	Harness Assembly - Turntable/Frame (Includes Item 304 Also)	7/G
303A	4460225	1	Plug, Male - 6 Position	
	4460268	6	Socket, Female	
303B	4460321	2	Plug, Male - 4 Position	
	4460227	2	Pin, Male	
	4460267	8	Pin, Male	
303C	4460425	1	Connector, Strain Relief	
303D	4460343	1	Plug, Male, 12 Position	
	4460268	12	Socket, Female	
303E	4460320	1	Plug, Male, 2 Position	
	4460268	2	Socket, Female	
303F	4460320	1	Plug, Male, 2 Position	
	4460267	2	Pin, Male	
303G	4460326	1	Plug, Male, 3 Position	
	4460267	3	Pin, Male	
303H	4460465	6	Socket, Female	
304	4922073	1	Harness Assembly - Horn/Beacon (A Models Only)	5/E
	3990001	1	Diode (Not Shown)	
304A	4460465	1	Socket, Female	
304B	4460424	1	Plug, Male, 2 Position	
	4460268	2	Socket, Female	

SECTION 7 ELECTRICAL

FIGURE 7-6. HARNESS COMPONENTS INSTALLATION (WITH DELTA-Q CHARGER)

ITEM #	PART NUMBER	QTY.	DESCRIPTION	REV.
305	4922117	1	Harness Assembly - Ground Control Can	3/B
305A	4460321	1	Plug, Male - 4 Position	
	4460227	2	Pin, Male	
	4460267	1	Pin, Male	
305B	4460465	1	Socket, Female	
306	4460320	1	Plug, Male, 2 Position	
307	4460268	2	Socket, Female	
308	Not Used			
309	4922267	1	Harness Assembly - Power Supply	3/C
310	4922263	1	Harness Assembly - Posi-Track Module Can	2/A
310A	4460321	2	Plug, Male - 4 Position	
	4460227	4	Pin, Male	
	4460267	2	Pin, Male	
311	3990106	1	Limiters, Inrush	
		Ref.	GROUND CONTROL BOX ASSY COMPONENTS	
401 to 415	Not Used			
416	4460425	1	Connector, Strain Relief	
417	Not Used			
418	4460495	1	Connector, Male - 14 Position	
419	4460497	1	Nut, Conduit	
420	4460496	1	Lockwasher	
		Ref.	STANDARD HARNESS COMPONENTS	
501	See Note	17	Solenoid Harness (Note: Not Available - Purchase Complete Solenoid)	
501A	4460867	17	Connector, Female - 2 Position	
	4460979	34	Terminal, Male	
	4460458	34	Seal	
502	4922222	1	Generator Enable Harness (Yellow/Red) (M450 & M400 Only)	B
502A	4460464	1	Pin, Male	
503	4922223	1	Generator Enable Harness (White/Yellow) (M450A & M400 Only)	A
503A	4460464	1	Pin, Male	
504	70000328	1	Generator Harness (M450 & M400 Only)	
504A	4460224	1	Connector, Female - 6 Position	
	4460809	1	Plug, Sealing	
	4460268	5	Socket, Female	
504B	7023337	1	Receptacle - 35 Position	
	7023338	35	Pin, Male	
505		1	Boom Limit Switches Harness Options:	
	4922614	1	Cable, Electrical (Lower) (Includes Limit Switch)	
	4922613	1	Cable, Electrical (Upper) (Includes Limit Switch)	
506	4922328	1	Harness Assembly - Valve	
506A	4460434	1	Plug, Male - 15 Position	
	4460226	7	Socket, Female	

SECTION 7 ELECTRICAL

FIGURE 7-6. HARNESS COMPONENTS INSTALLATION (WITH DELTA-Q CHARGER)

ITEM #	PART NUMBER	QTY.	DESCRIPTION	REV.
506B	4460749	1	Cap, Shell	
	4460750	1	Bar, Buss - 6 Position	
	4460744	1	Connector, 6 Position	
	4460745	1	Lock, Secondary	
	4460746	5	Socket, Female	
	4460458	6	Seal	
	4460748	1	Plug, Cavity	
	4460751	1	Clip, Mounting	
	506C	4460742	5	Plug, Male - 2 Position
4460743		10	Terminal, Female	
4460458		10	Seal	
507	See Note	1	Controller Harness Assembly (Lift and Swing) (Note: Not Available - Purchase Complete Controller)	
507A	4460265	1	Plug, Male - 9 Position	
	4460226	8	Socket, Female	
508	See Note	1	Controller Harness/Circuit Board Assembly (Drive and Steer) (Note: Not Available - Purchase Complete Controller)	
508A	4460265	1	Plug, Male - 9 Position	
	4460226	7	Socket, Female	
509	See Note	1	Controller Harness Assembly (Speed) (Note: Not Available - Purchase Complete Controller)	
509A	4460225	1	Plug, Male - 6 Position	
	4460226	4	Socket, Female	
510		Ref.	Battery Charger Installation Components	
	1001123052	Ref.	Australian Specs	B
	1001107780	Ref.	CE Specs	B
510A	0610131	1	LED Assembly (Not Supplied with Charger)	
510B	4460321	1	Plug, Male - 4 Position	
	4460227	4	Male Pin	
510C	1060689	1	AC Cord	
510D	Use 1060689	1	End, Plug (Note: Not Available for Purchase)	
510E	1060778	1	LED Remote Harness	
510F	4460321	1	Plug, Male - 4 Position	
	4460226	4	Socket, Female	
510G	4460761	1	Connector, Female - 4 Position	
	4460226	4	Socket, Female	
510H	4460428	1	Connector, Strain Relief	
510J	1001113045	1	Harness, Connecting (MAC to Delta-Q)	B
510K	4460444	1	Connector, Anderson	
510L	4460761	1	Receptacle, Female - 4 Position	
	4460227	4	Pin, Male	
510M	4460931	1	Receptacle, Female - 8 Position	
	4460464	6	Pin, Male	
	4460466	2	Plug, Seal	
510N	1001096188	1	Plug, Male - 4 Position	
	4460509	2	Socket, Female	
	4460466	2	Plug, Seal	
510P	4460424	1	Receptacle, Female 2 Position	
	4460227	2	Pin, Male	

SECTION 7 ELECTRICAL

FIGURE 7-6. HARNESS COMPONENTS INSTALLATION (WITH DELTA-Q CHARGER)

ITEM #	PART NUMBER	QTY.	DESCRIPTION	REV.
510R	4460805 See Note	1	Plug, AC Options: Australian Specs CE Specs (Note: See Item 516A)	
511	See Note	Ref.	Battery Charger Components	
511A	See Note	1	Harness, Battery Charger Power (Note: Not Available - Purchase Complete Charger)	
511B	1001116811	1	Receptacle, Female - 4 Position	
	4460508	4	Pin, Male	
511C	See Note	1	Connector, Strain Relief (Note: Not Available for Purchase)	
511D	See Note	1	Harness, Battery Charger Signal (Note: Not Available for Purchase)	
511E	4460930	1	Plug, Male - 8 Position	
	4460464	7	Socket, Female	
511F	See Note	1	Connector, Strain Relief (Note: Not Available for Purchase)	
511G	See Note	1	Harness, Battery Charger AC Plug (Note: Not Available for Purchase)	
511H	See Note	1	Connector, Plug (Note: Not Available for Purchase)	
511J	See Note	1	Connector, Strain Relief (Note: Not Available for Purchase)	
512	1600294	1	Contacto Plate Assembly	
512A	7022003	1	Contacto Harness	
512B	4460225	1	Plug, Male - 6 Position	
	4460226	6	Socket, Female	
512C	7022004	1	Posi-Track Harness	
512D	4460326	1	Plug, Male - 3 Position	
	4460227	3	Pin, Male	
512E	7022005	1	Shunt Harness	
512F	4460321	1	Plug, Male - 4 Position	
	4460227	4	Pin, Male	
513	4922294	1	Jib Harness (AJ Models Only)	1/B
513A	4460225	1	Plug, Male - 6 Position	
	4460227	3	Pin, Male	
513B	4460418	1	Connector, Female	
	4460419	3	Terminal	
514	See Note	5	Solenoid Harnesses - Steer/Brake Valve (Note: Not Available - Purchase Complete Solenoid)	
514A	4460867	5	Connector, Female - 2 Position	
	4460979	10	Terminal, Male	
	4460458	10	Seal	
515	4922319	1	Harness, Generator to Ground Control Box	1/A
515A	4460225	1	Plug, Male - 6 Position	
	4460807	1	Seal, Terminal	
	4460808	1	Seal, Terminal	
	4460809	1	Plug, Sealing	
	4460267	5	Pin, Terminal	
516		Ref.	CE Plug Charger Installation Note: See Item 510R for Australian Spec Plug.	
	0275663	Ref.	220V with CEE 7 Post Ground Receptacle & Plug & Circuit Breaker (70mm x 70mm Box)	A
	0275664	Ref.	220V with CEE 7 Side Ground Receptacle & Plug & Circuit Breaker (70mm x 70mm Box)	A

SECTION 7 ELECTRICAL

FIGURE 7-6. HARNESS COMPONENTS INSTALLATION (WITH DELTA-Q CHARGER)

ITEM #	PART NUMBER	QTY.	DESCRIPTION	REV.
516 (cont'd)	0275665	Ref.	220V with AFSINT 107 Keyed Ground Receptacle & Plug & Circuit Breaker (2x4 Box)	A
	0275666	Ref.	110V with IEC Yellow Receptacle & Plug & Circuit Breaker	A
	0275667	Ref.	220V with IEC Blue Receptacle & Plug & Circuit Breaker	A
516A		1	Plug Options: Note: See Item 510R for Australian Spec Plug.	
	4461202		0275663 Installation & 1001100343 & 1001141971 Kits	
	4461205		0275664 Installation & 1001100344 & 1001141970 Kits	
	4461249		0275665 Installation	
	4461196		0275666 Installation	
	4461199		0275667 Installation	
517	1001116522	1	Harness, Drive Orientation Limit Switch	B
517A	4460320	1	Plug, Male - 2 Position	
	4460227	2	Pin, Male	
517B	4460884	1	Plug, Male - 4 Position	
	4460465	2	Socket, Female	
	4460466	2	Seal	
518	Use 3990105	2	Speed Sensor Harness (P/N 3990105 Includes Sensor)	
518A	4460225	1	Plug, Male - 6 Position	
	4460226	4	Socket, Female	
519	4922160	1	Harness, Analyzer	3/C
519A	4460321	1	Plug, Male - 4 Position	
	4460226	4	Socket, Female	
519B	4460761	1	Connector, Female - 4 Position	
	4460227	4	Pin, Male	
		Ref.	OPTIONAL HARNESS COMPONENTS	
601			AC to Platform Receptacle Components Options:	
	0271464	Ref.	220V Receptacle (E/M400)	2
	0259127	Ref.	220V Receptacle (E/M450)	2
	0275892	Ref.	220V with CEE 7 Post Ground Receptacle & Plug & Circuit Breaker (2x4 Box) (E/M400)	C
	1001091435	Ref.	220V with CEE 7 Post Ground Receptacle & Plug & Circuit Breaker (2x4 Box) (E/M450)	B
	0275893	Ref.	220V with CEE 7 Side Ground Receptacle & Plug & Circuit Breaker (2x4 Box) (E/M400)	C
	1001091436	Ref.	220V with CEE 7 Side Ground Receptacle & Plug & Circuit Breaker (2x4 Box) (E/M450)	B
	0275894	Ref.	220V with AFSINT 107 Keyed Ground Receptacle & Plug & Circuit Breaker (2x4 Box) (E/M400)	C
	1001091437	Ref.	220V with AFSINT 107 Keyed Ground Receptacle & Plug & Circuit Breaker (2x4 Box) (E/M450)	B
	0275895	Ref.	110V with IEC Yellow Receptacle & Plug & Circuit Breaker (E/M400)	C
	1001091438	Ref.	110V with IEC Yellow Receptacle & Plug & Circuit Breaker (E/M450)	B
	0275896	Ref.	220V with IEC Blue Receptacle & Plug & Circuit Breaker (E/M400)	C
	1001091439	Ref.	220V with IEC Blue Receptacle & Plug & Circuit Breaker (E/M450)	B

SECTION 7 ELECTRICAL

FIGURE 7-6. HARNESS COMPONENTS INSTALLATION (WITH DELTA-Q CHARGER)

ITEM #	PART NUMBER	QTY.	DESCRIPTION	REV.
601 (cont'd)	0275897	Ref.	220V with CEE 7 Post Ground Receptacle & Plug & Circuit Breaker (70mm x 70mm Box) (E/M400)	C
	1001091440	Ref.	220V with CEE 7 Post Ground Receptacle & Plug & Circuit Breaker (70mm x 70mm Box) (E/M450)	B
	0275898	Ref.	220V with CEE 7 Side Ground Receptacle & Plug & Circuit Breaker (70mm x 70mm Box) (E/M400)	C
	1001091441	Ref.	220V with CEE 7 Side Ground Receptacle & Plug & Circuit Breaker (70mm x 70mm Box) (E/M450)	B
601A		1	Box, Switch Options:	
	Not Required		0271464 & 0259127 Installation (Purchase Locally)	
	0861731		0275892, 0275893, 0275894, 1001091435, 1001091436 & 1001091437 Installation	
	0861781		0275895, 0275896, 1001091438 & 1001091439 Installation	
	See Note		0275897, 0275898, 1001091440 & 1001091441 Installations (Note: Was p/n 0861782 which is no longer available. Use p/n 1001100344 CEE 7 Side Ground Service Kit or p/n 1001100343 CEE 7 Post Ground Service Kit. Kit include Box p/n 1001141967 & items 601B, 601C & 601E.)	
	1001141967		1001100343, 1001100344, 1001141970 & 1001141971 Kits	
601B		1	Receptacle Options:	
	Not Required		0271464 & 0259127 Installation (Purchase Locally)	
	4461244		0275892 & 1001091435 Installation	
	4461245		0275893 & 1001091436 Installation	
	4461246		0275894 & 1001091437 Installation	
	4461198		0275895 & 1001091438 Installation	
	4461201		0275896 & 1001091439 Installation	
Use 1001100343		0275897 & 1001091440 Installation (was p/n 4461204 & 1001141971)		
Use 1001100344		0275898 & 1001091441 Installation (was p/n 4461207 & 1001141970)		
	1001141968		1001100343 & 1001141971 Kits	
	1001141969		1001100344 & 1001141970 Kits	
601C		1	Shield, Cover Options:	
	Not Required		0271464 & 0259127 Installation (Purchase Locally)	
	4461244		0275892 & 1001091435 Installation	
	4461245		0275893 & 1001091436 Installation	
	4461246		0275894 & 1001091437 Installation	
	4461198		0275895 & 1001091438 Installation	
	4461201		0275896 & 1001091439 Installation	
Use 1001100343		0275897 & 1001091440 Installation (was p/n 4461204 & 1001141971)		
Use 1001100344		0275898 & 1001091441 Installation (was p/n 4461207 & 1001141970)		
	1001141968		1001100343 & 1001141971 Kits	
	1001141969		1001100344 & 1001141970 Kits	
601D		1	Connector, Strain Relief Options:	
	Not Required		0271464 & 0259127 Installation (Purchase Locally)	
	4460968		0275892, 0275893, 0275894, 1001091435, 1001091436 & 1001091437 Installation (Prior to S/N 0300108574)	

SECTION 7 ELECTRICAL

FIGURE 7-6. HARNESS COMPONENTS INSTALLATION (WITH DELTA-Q CHARGER)

ITEM #	PART NUMBER	QTY.	DESCRIPTION	REV.
601D (cont'd)	4460662		0275892, 0275893, 0275894, 1001091435, 1001091436 & 1001091437 Installation (S/N 0300108574 to Present)	
	4460968		0275895, 0275896, 0275897, 0275898, 1001091438, 1001091439, 1001091440 & 1001091441 Installation	
601E	Not Required	1	Plug, Male Options (All Specs):	
	4461202		0271464 & 0259127 Installation (Purchase Locally)	
	4461205		0275892, 0275897, 1001091435 & 1001091440 Installation & 1001100343 & 1001141971 Kits	
	4461249		0275893, 0275898, 1001091436 & 1001091441 Installation & 1001100344 & 1001141970 Kits	
	4461196		0275894 & 1001091437 Installation	
	4461199		0275895 & 1001091438 Installation	
			0275896 & 1001091439 Installation	
601F	4922610	1	Harness (Main Boom) Options (All Specs):	
	4922610		Harness (E/M450)	1/A
	1060461	A/R	Harness (E/M400)	1/A
		32ft/9.75m	Electrical Cable - 12/3 Options:	
601G		A/R	E/M450	
		A/R	E/M400	
601H	4460709	1	Plug, Male (All Specs)	
601I	4922609	1	Harness (Tower Boom) Options (All Specs):	
	4922612		Harness (E/M450)	2/A
	1060461		Harness (E/M400)	2/B
		A/R	Electrical Cable - 12/3 Options:	
		A/R	E/M450	
601J		A/R	E/M400	
	4460710	1	Connector, Female (All Specs)	
601K		A/R	Hardware Options:	
	0641405		Bolt 1/4in - 20NC x 5/8in	
	0641407		Bolt 1/4in - 20NC x 7/8in	
	0641416		Bolt 1/4in - 20NC x 2in	
	0700408		Screw M4 x 16mm	
	3290405		Locknut M4	
	3311405		Locknut 1/4in - 20NC	
	4711400		Flatwasher 1/4in (Narrow)	
	4751400		Flatwasher 1/4in (Wide)	
	4811400		Flatwasher M4	
	601L		A/R	Bracket, Receptacle Box Mounting Options:
Not Required		0	020271464 & 0259127 Installation	
0903484		1	0275892, 0275893, 0275894, 0275895, 0275896, 0275897, 0275898, 1001091435, 1001091436, 1001091437, 1001091438, 1001091439, 1001091440 & 1001091441 Installation	
601M		A/R	Bracket, Circuit Breaker Mounting Options:	
	Not Required	0	0271464 & 0259127 Installation	
	0903612	1	0275892, 0275893, 0275894, 0275895, 0275896, 0275897, 0275898, 1001091435, 1001091436, 1001091437, 1001091438, 1001091439, 1001091440 & 1001091441 Installation	

SECTION 7 ELECTRICAL

FIGURE 7-6. HARNESS COMPONENTS INSTALLATION (WITH DELTA-Q CHARGER)

ITEM #	PART NUMBER	QTY.	DESCRIPTION	REV.
601N	2902549	A/R	Circuit Breaker Kit (Includes items indented below and 601P & 601Q) (Required Only on CE Spec Installations Except 0271464 & 0259127 Installation):	D
	1001109475	1	Circuit Breaker 16Amp	
	1001109482	1	Circuit Breaker 30Amp	
	0861880	1	Breaker Box	
	4460956	1	Barrier, Terminal Block	
	4460957	1	Terminal Block	
601P	1001097150	2	Connector, Strain Relief	
601Q	1060908	6ft/1.8m	Cable, Extension	
601R		A/R	Decal Options:	
	Not Required	0	0271464 & 0259127 Installation	
	1705325	1	Decal - 110 Volt (0275895 & 1001091438 Installation):	
	3252507	1	Decal - 220 Volt (0275892, 0275893, 0255894, 0275896, 0275897, 0275898, 1001091435, 1001091436, 1001091437, 1001091439, 1001091440 & 1001091441 Installation):	
601S		1	Receptacle Box Kit Options:	
	0275452		Receptacle Box Kit (220V CEE 7 Post Ground) (Includes Items 601A, 601B, 601C & 601E) (0275892 & 1001091435 Installation)	1
	0275453		Receptacle Box Kit (220V CEE 7 Side Ground) (Includes Items 601A, 601B, 601C & 601E) (0275893 & 1001091436 Installation)	1
	0275454		Receptacle Box Kit (220V AFSINT 107 Keyed Ground) (Includes Items 601A, 601B, 601C & 601E) (0275894 & 1001091437 Installation)	1
	0275216		Receptacle Box Kit (110V IEC Yellow) (Includes Items 601A, 601B, 601C & 601E) (0275895 & 1001091438 Installation)	1
	0275217		Receptacle Box Kit (220V IEC Blue) (Includes Items 601A, 601B, 601C & 601E) (0275896 & 1001091439 Installation)	1
	Use 1001100343		Receptacle Box Kit (220V CEE 7 Post Ground) (Includes Items 601A, 601B, 601C & 601E) (0275897 & 1001091440 Installation) (was p/n 0275218)	2
	Use 1001100344		Receptacle Box Kit (220V CEE 7 Side Ground) (Includes Items 601A, 601B, 601C & 601E) (0275898 & 1001091441 Installation) (was p/n 0275219)	2
602	2920095	2	Platform Worklights Harness (Includes Light and Wire Only)	
602A	4460428	1	Connector, Strain Relief	
603	See Note	1	Strobe Light Harness (Note: Not Available - Purchase Complete Strobe Light)	
603A	4460320	1	Plug, Male - 2 Position (Prior to S/N 0300169430)	
	4460268	2	Socket, Female	
603B	4460891	1	Plug, Male - 2 Position (S/N 0300169430 to Present)	
	4460465	2	Socket, Female	
604	4922534	1	Platform Overload Sensing Light Harness	
604A	4120035	1	Base, Light	
604B	4460227	1	Pin, Male	
604C	2920129	1	Bulb, Light	
605	4922443	1	Platform Overload Sensing PC Board to Platform Module Harness	

SECTION 7 ELECTRICAL

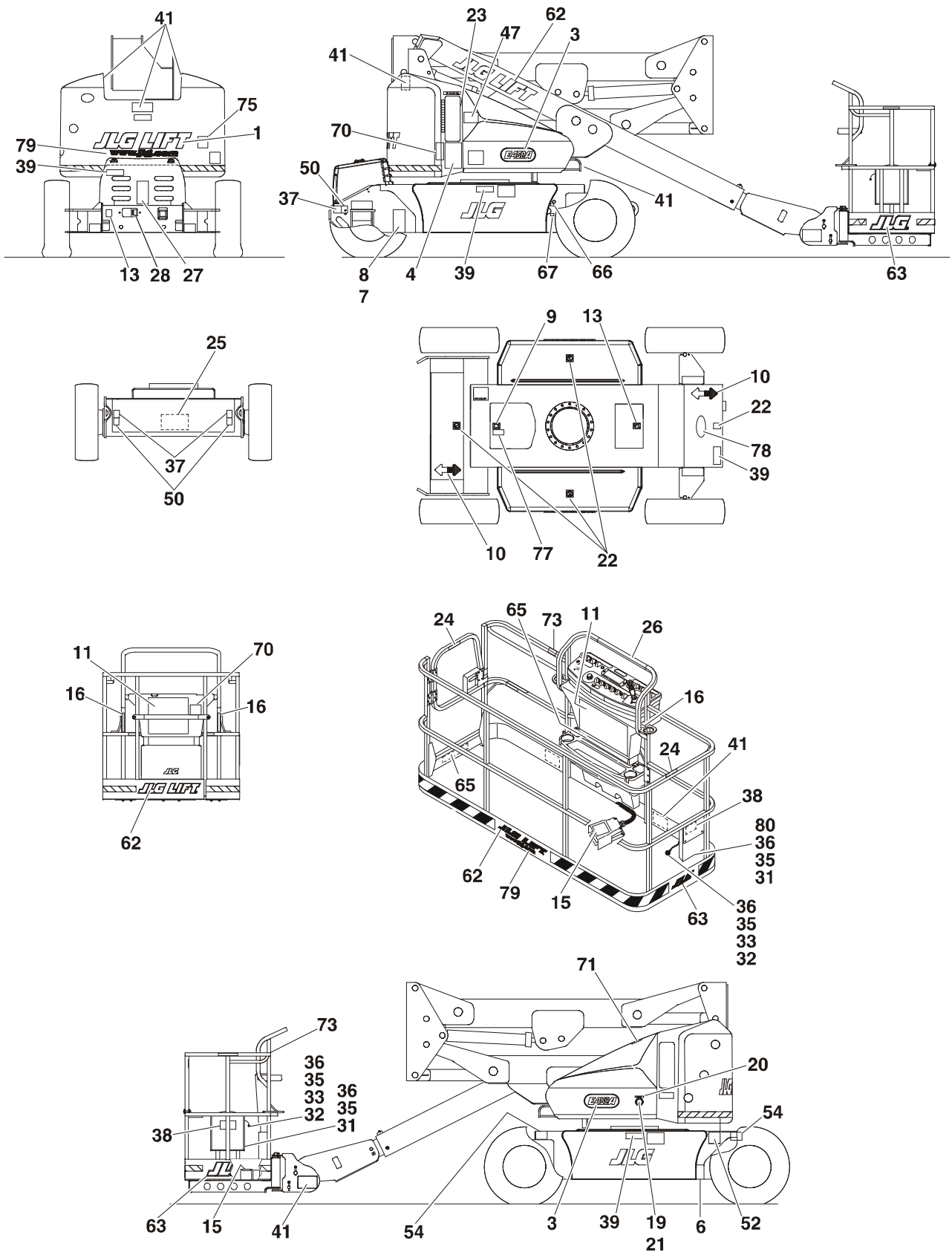
FIGURE 7-6. HARNESS COMPONENTS INSTALLATION (WITH DELTA-Q CHARGER)

ITEM #	PART NUMBER	QTY.	DESCRIPTION	REV.
605A	4460326	2	Plug, Male - 3 Position	
	4460226	3	Socket, Female	
606	See Note	1	Platform Overload Sensing PC Board to Load Cell Harness (Front Entry Platform Only) (Note: Not Available for Purchase) Note: For Side Entry Platform Refer to JLG Supplement 3124287.	
606A	4460321	1	Plug, Male - 4 Position	
	4460226	3	Socket, Female	
	4460268	1	Socket, Female	
606B	4460428	1	Receptacle, Strain Relief (Not Shown for Clarity)	
607	1001149818	1	Strobe Light Harness (S/N 0300169430 to Present)	A
607A	4460320	1	Connector, Female - 2 Position	
	4460267	2	Pin, Male	
607B	4460897	1	Connector, Female - 2 Position	
	4460464	2	Pin, Male	
		Ref.	TOOLS	
701	7002821	1	Crimper (For Wire to Pin/Socket Connections)	
702	7002823	1	Extractor (For Removal of Pin/Socket from Connectors)	
703	4460467	1	Extractor, Pin (Blue 16-18 Gauge) (For Removal of Pin/Socket from Connectors)	
	4460510	1	Extractor, Pin (Yellow 12-14 Gauge) (For Removal of Pin/Socket from Connectors)	
704	7002828	1	Stripper, Wire	
705	2901443	1	Analyzer, Machine (Not Shown)	

SECTION 8 DECALS

SECTION 8 DECALS

FIGURE 8-1. DECAL INSTALLATION (PRIOR TO S/N 0300096809)



SECTION 8 DECALS

FIGURE 8-1. DECAL INSTALLATION (PRIOR TO S/N 0300096809)

ITEM #	PART NUMBER	QTY.	DESCRIPTION	REV.
		Ref.	COUNTRY SPEC DECAL INSTALLATIONS	
	0270273	Ref.	A & AJ Model Lift Decals	3
	0270274	Ref.	AJP Model Lift Decals	3
		Ref.	E450 & E400	
	0259534	Ref.	Australian Spec	10
	0274989	Ref.	CE Spec - Pictograms	2
	0259291	Ref.	Dutch Spec	13
	0259289	Ref.	French Spec	13
	0259292	Ref.	German Spec	13
	0259290	Ref.	Italian Spec	13
	0273196	Ref.	Norwegian Spec	2
	0259293	Ref.	Spanish Spec	13
	0259288	Ref.	UK English Spec	15
		Ref.	M450 & M400	
	0259533	Ref.	Australian Spec	11
	0259325	Ref.	Dutch Spec	13
	0259323	Ref.	French Spec	13
	0259326	Ref.	German Spec	13
	0259324	Ref.	Italian Spec	13
	0273197	Ref.	Norwegian Spec	2
	0259327	Ref.	Spanish Spec	13
	0259322	Ref.	UK English Spec	15
1	1702860	A/R	Decal - JLG Lift	
2	Not Used			
3		2	Decal - JLG Model Designation Options:	
	1704787		E450A	
	1704789		E450AJ	
	1704788		M450A	
	1704790		M450AJ	
	1704958		E400A	
	1704900		E400Anarrow	
	1704959		M400A	
	1704901		M400Anarrow	
	1704791		E400AJP	
	1704792		E400AJPnarrow	
	1704793		M400AJP	
	1704794		M400AJPnarrow	
4		1	Decal - Danger/Caution Options:	
	1703807		Australian Spec	
	1705822		CE Spec - Pictograms	
	1703914		Dutch Spec	
	1703918		French Spec	
	1703800		German Spec	
	1705255		Norwegian Spec	
	1703916		Italian Spec	
	1703920		Spanish Spec	
	1703807		UK English Spec	
5	Not Used			
6	1700584	1	Decal - Patent	

SECTION 8 DECALS

FIGURE 8-1. DECAL INSTALLATION (PRIOR TO S/N 0300096809) (CONTINUED)

ITEM #	PART NUMBER	QTY.	DESCRIPTION	REV.
7	See Note	1	Nameplate - Serial Number (Note: Not Available for Purchase)	
8	3820001	A/R	Rivet	
9	1701504 Not Required	1	Decal - Hydraulic Oil Options: All Other Specs CE Spec - Pictograms	
10	1701642	2	Decal - Arrow	
11	1703992 1705921 1703913 1703917 1703799 1703915 1705254 1703919 1703806	1	Decal - Caution/Danger Options: Australian Spec CE Spec - Pictograms Dutch Spec French Spec German Spec Italian Spec Norwegian Spec Spanish Spec UK English Spec	
12	Not Used			
13	1701644	2	Decal - Charger	
14	Not Used			
15	3252347 Not Required 1703518 1693292 1693294 1701600 1705275 1701791 3252347	1	Decal - Footswitch Options: Australian Spec CE Spec - Pictograms Dutch Spec French Spec German Spec Italian Spec Norwegian Spec Spanish Spec UK English Spec	
16	1704277	A/R	Decal - Attach Lanyard	
17 to 18	Not Used			
19	0961127	1	Bushing, Snap	
20	3252507 Not Required	1	Nameplate - 220V/50-60HZ Options: All Other Specs CE Spec - Pictograms	
21	0100010	A/R	Adhesive	
22	1701691	4	Decal - No Step	
23	1704262 1705085 1001104864	1 Ref.	Decal - Manual Descent Options: Note: Refer to p/n stamped on hose side of valve. 4641170 Valve 4641195 Valve 1001097507 Valve	
24	Not Used			
25	1704254	1	Decal - Cable Routing	
26	Not Used			
27	1704446 1706378 1704448	1	Decal - Charger Options: Australian Spec CE Spec - Pictograms Dutch Spec	

SECTION 8 DECALS

FIGURE 8-1. DECAL INSTALLATION (PRIOR TO S/N 0300096809) (CONTINUED)

ITEM #	PART NUMBER	QTY.	DESCRIPTION	REV.
27 (cont'd)	1704450	1	Decal - Charger Options: French Spec	
	1704447		German Spec	
	1704449		Italian Spec	
	1705261		Norwegian Spec	
	1704451		Spanish Spec	
	1704446		UK English Spec	
28	1704431	1	Decal - Battery Charger LED Indicator (S/N 0300049542 to S/N 96809 Only)	
29 to 30	Not Used			
31	0860520	1	Box, Manual Storage	
32	1060279	1	Lanyard	
33	0641408	1	Bolt 1/4in-20NC x 1in	
34	Not Used			
35	4751400	6	Flatwasher 1/4in	
36	3311405	5	Locknut 1/4in-20NC	
37		4	Decal - Lift Options: All Other Specs	
	1701500		CE Spec - Pictograms	
	1703811			
38	1701509	1	Decal - Manual	
39		A/R	Decal - Explosion Warning Options: Australian Spec	
	1703813	2	All Other Specs	
	Not Required	0		
40	Not Used			
41	1701518	6	Decal - Crushing Hazard	
42 to 46	Not Used			
47		1	Decal Options: Australian Spec	
	1702265		CE Spec - Pictograms	
	1705977		Dutch Spec	
	1702268		French Spec	
	1702270		German Spec	
	1702267		Italian Spec	
	1702269		Norwegian Spec	
	1705240		Spanish Spec	
	1702266		UK English Spec	
	1702265			
48 to 49	Not Used			
50		4	Decal - Tie Down Options: All Other Specs	
	1702300		CE Spec - Pictograms	
	1703814			
51	Not Used			
52	See Note	1	Decal - Bar Code (Note: Not Available for Purchase)	
53	Not Used			
54		4	Decal - Tire Load Options: E/M450A	
	1703488		E/M450AJ	
	1704445		E/M400A	
	1703247		E/M400Anarrow	
	1703488		E/M400AJP	
	1704727		E/M400AJPnarrow	
	1704752			

SECTION 8 DECALS

FIGURE 8-1. DECAL INSTALLATION (PRIOR TO S/N 0300096809) (CONTINUED)

ITEM #	PART NUMBER	QTY.	DESCRIPTION	REV.
55 to 61	Not Used			
62	1702774	A/R	Decal - JLG Lift	
		2	Front Entry Platform	
		3	Side Entry Platform	
63		A/R	Decal Options:	
	1702773	2	A & AJ Models (JLG) with Front Entry Platform	
	1702773	1	A & AJ Models (JLG) with Side Entry Platform	
	1704200	2	AJP Models (Jib Plus) with Front Entry Platform	
	1704200	1	AJP Models (Jib Plus) with Side Entry Platform	
64	Not Used			
65		A/R	Decal - 230kg/500lbs Maximum Capacity Options:	
	1703996	1	Australian Spec (Prior to S/N 0300068925)	
	Not Required	0	Australian Spec (S/N 0300068925 to S/N 0300096809)	
	Not Required	0	All Other Specs	
66	1701502	1	Decal - Hydraulic Oil Level High	
67	1701503	1	Decal - Hydraulic Oil Level Low	
68 to 69	Not Used			
70		A/R	Decal - Generator Danger Options:	
	Not Required	0	E450 & E400 All Specs	
		1	M450 & M400	
	1704286		Australian Spec	
	Use 1001093687		Dutch Spec (was p/n 1704360)	
	Use 1001093687		French Spec (was p/n 1704358)	
	Use 1001093687		German Spec (was p/n 1704361)	
	Use 1001093687		Italian Spec (was p/n 1704359)	
	Use 1001093687		Norwegian Spec (was p/n 1705260)	
	Use 1001093687		Spanish Spec (was p/n 1704362)	
	1704286		UK English Spec	
71		A/R	Decal - Fuel Options	
	Not Required	0	E450 & E400	
	1701505	1	M450 & M400	
72	Not Used			
73		A/R	Decal - Fuel Warning Options:	
	Not Required	0	E450 & E400 - All Specs	
	Not Required	0	M450 & M400 - Australian Specs	
	1702962	1	M450 & M400 - All Except Australian Specs	
74	Not Used			
75		A/R	Decal - CE Options:	
		Ref.	E450 & E400	
	Not Required	0	Australian Specs	
	Use 1705084	1	All Other Specs (was p/n 1702298) (Prior to S/N 0300071112)	
			M450 & M400	
	Not Required	0	Australian Specs	
	Use 1705084	1	All Other Specs (was p/n 1702298)	
76	Not Used			
77	1704412	1	Decal - Oil Type	
78		A/R	Decal - Quikcharge Genset Option:	
	Not Required	0	E450/E400 Models	
	1704830	1	M450/M400 Models	

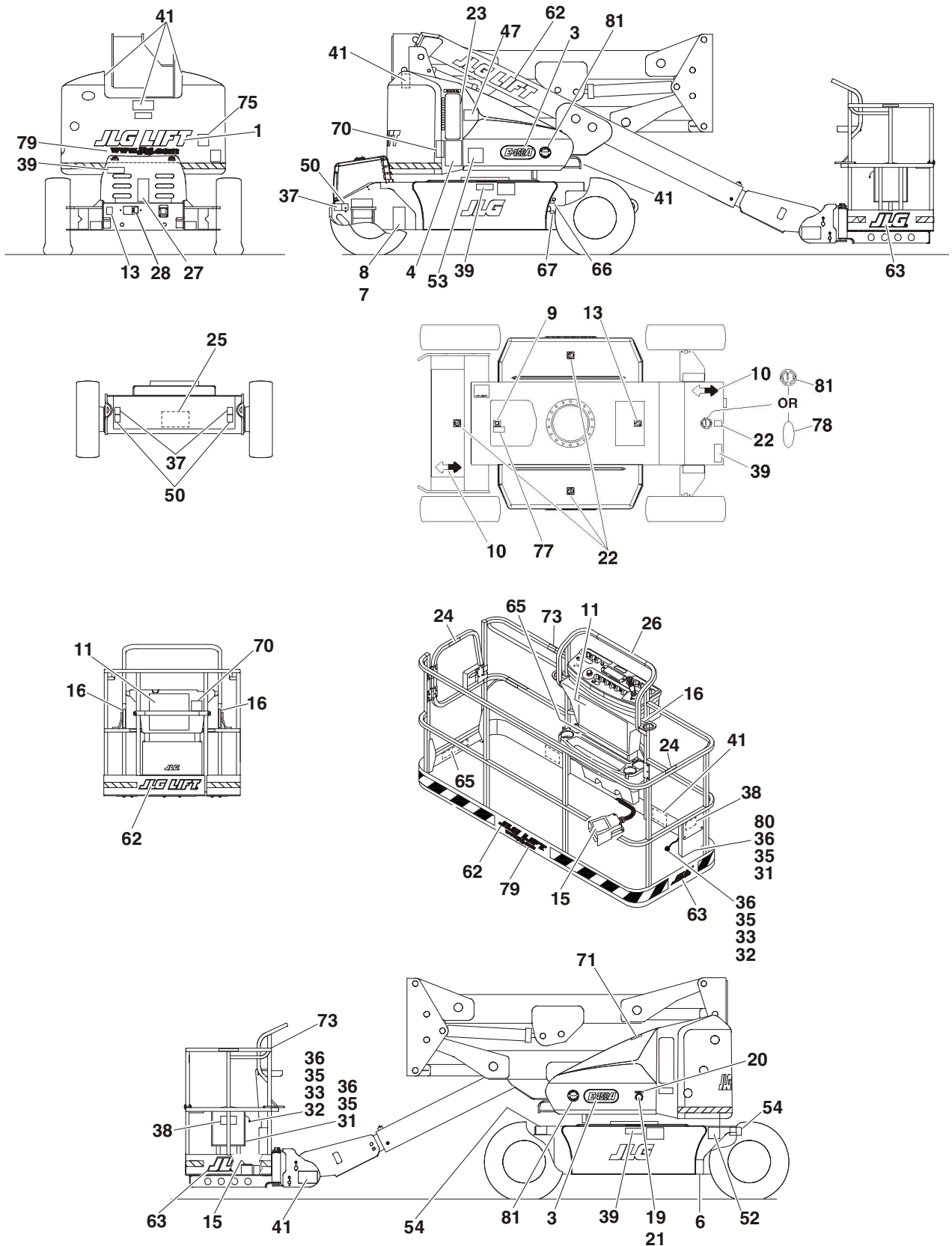
SECTION 8 DECALS

FIGURE 8-1. DECAL INSTALLATION (PRIOR TO S/N 0300096809) (CONTINUED)

ITEM #	PART NUMBER	QTY.	DESCRIPTION	REV.
79	1704885	2	Decal - Website	
80	0641406	4	Bolt 1/4in-20NC x 3/4in	

SECTION 8 DECALS

FIGURE 8-2. DECAL INSTALLATION (S/N 0300096809 TO PRESENT)



SECTION 8 DECALS

FIGURE 8-2. DECAL INSTALLATION (S/N 0300096809 TO PRESENT)

ITEM #	PART NUMBER	QTY.	DESCRIPTION	REV.
		Ref.	COUNTRY SPEC DECAL INSTALLATIONS	
	0270273	Ref.	A & AJ Model Lift Decals	3
	0270274	Ref.	AJP Model Lift Decals	3
	0275070	Ref.	E450 & E400	7
	0275069	Ref.	M450 & M400	8
1	1702860	A/R	Decal - JLG Lift	
2	Not Used			
3		2	Decal - JLG Model Designation Options:	
	1704787		E450A	
	1704789		E450AJ	
	1704788		M450A	
	1704790		M450AJ	
	1704958		E400A	
	1704900		E400Anarrow	
	1704959		M400A	
	1704901		M400Anarrow	
	1704791		E400AJP	
	1704792		E400AJPnarrow	
	1704793		M400AJP	
	1704794		M400AJPnarrow	
4	1705822	1	Decal - Danger/Caution	
5	Not Used			
6	1700584	1	Decal - Patent (Prior to S/N 0300161264)	
7	See Note	1	Nameplate - Serial Number (Note: Not Available for Purchase)	
8	3820001	A/R	Rivet	
9	1701504	1	Decal - Hydraulic Oil	
10	1701642	2	Decal - Arrow	
11	1705921	1	Decal - Danger/Caution	
12	Not Used			
13	1701644	2	Decal - Charger	
14	Not Used			
15	1705828	1	Decal - Footswitch	
16	1704277	A/R	Decal - Attach Lanyard	
17 to 18	Not Used			
19	0961127	1	Bushing, Snap	
20	Not Used			
21	0100010	A/R	Adhesive	
22	1701691	4	Decal - No Step	
23		1	Decal - Manual Descent Options:	
	1705085		Prior to S/N 0300127572	
	1001104864		S/N 0300127572 to Present	
23		1	Decal - Manual Descent Options:	
		Ref.	Note: Refer to p/n stamped on hose side of valve.	
	1704262		4641170 Valve	
	1705085		4641195 Valve	
	1001104864		1001097507 Valve	
24	Not Used			

SECTION 8 DECALS

FIGURE 8-2. DECAL INSTALLATION (S/N 0300096809 TO PRESENT) (CONTINUED)

ITEM #	PART NUMBER	QTY.	DESCRIPTION	REV.
25	1704254	1	Decal - Cable Routing	
26	Not Used			
27	1706378	1	Decal - Charging Instructions	
28	1704431	1	Decal - Battery Charger LED Indicator	
29 to 30	Not Used			
31	0860520	1	Box, Manual Storage	
32	1060279	1	Lanyard	
33	0641408	1	Bolt 1/4in-20NC x 1in	
34	Not Used			
35	4751400	6	Flatwasher 1/4in	
36	3311405	5	Locknut 1/4in-20NC	
37	1703811	4	Decal - Lift	
38	1701509	1	Decal - Manual	
39	1705670	2	Decal - Explosion Warning	
40	Not Used			
41	1701518	6	Decal - Crushing Hazard	
42 to 46	Not Used			
47	1705977	1	Decal - Upright Level Over-Ride	
48 to 49	Not Used			
50	1703814	4	Decal - Tie Down	
51	Not Used			
52	See Note	1	Decal - Bar Code (Note: Not Available for Purchase)	
53	1705978	1	Decal - Capacity (S/N 0300102542 to Present)	
54		4	Decal - Tire Load Options:	
	1703488		E/M450A	
	1704445		E/M450AJ	
	1703247		E/M400A	
	1703488		E/M400Anarrow	
	1704727		E/M400AJP	
	1704752		E/M400AJPnarrow	
55 to 61	Not Used			
62	1702774	A/R	Decal - JLG Lift	
		2	Front Entry Platform	
		3	Side Entry Platform	
63		A/R	Decal Options:	
	1702773	2	A & AJ Models (JLG) with Front Entry Platform	
	1702773	1	A & AJ Models (JLG) with Side Entry Platform	
	1704200	2	AJP Models (Jib Plus) with Front Entry Platform	
	1704200	1	AJP Models (Jib Plus) with Side Entry Platform	
64	Not Used			
65	1705978	1	Decal - 230kg/500lbs Maximum Capacity	
66	1701502	1	Decal - Hydraulic Oil Level High	
67	1701503	1	Decal - Hydraulic Oil Level Low	
68 to 69	Not Used			
70		A/R	Decal - Generator Danger Options:	
	Not Required	0	E450 & E400 All Specs	
	Use 1001093687		M450 & M400 - Australian Spec (Prior to S/N 0300109260 - p/n was 1704286)	
	Use 1001093687		M450 & M400 - Dutch Spec (Prior to S/N 0300109260 - p/n was 1704360)	

SECTION 8 DECALS

FIGURE 8-2. DECAL INSTALLATION (S/N 0300096809 TO PRESENT) (CONTINUED)

ITEM #	PART NUMBER	QTY.	DESCRIPTION	REV.
70 (cont'd)	1706899	A/R	M450 & M400 - Danish Spec	
	Use 1001093687		Decal - Generator Danger Options:	
	Use 1001093687		M450 & M400 - French Spec (Prior to S/N 0300109260 - p/n was 1704358)	
	Use 1001093687		M450 & M400 - German Spec (Prior to S/N 0300109260 - p/n was 1704361)	
	Use 1001093687		M450 & M400 - Italian Spec (Prior to S/N 0300109260 - p/n was 1704359)	
	1704286		M450 & M400 - Norwegian Spec	
	Use 1001093687		M450 & M400 - Spanish Spec (Prior to S/N 0300109260 - p/n was 1704362)	
Use 1001093687	M450 & M400 - UK English Spec (Prior to S/N 0300109260 - p/n was 1704286)			
71 to 76	Not Used			
77	1704412	1	Decal - Oil Type	
78		A/R	Decal - QuikCharge GenSet Options:	
	Not Required	0	E450/E400 Models	
	1704830	1	M450/M400 Models (Prior to S/N 0300143328)	
79	1704885	2	Decal - Website	
80	0641406	4	Bolt 1/4in-20NC x 3/4in	
81		A/R	Decal - Hybrid Options (S/N 0300143328 to Present):	
	Not Required	0	E450 & E400	
	1001121510	3	M450 & M400	

SECTION 8 DECALS

FIGURE 8-2. DECAL INSTALLATION (S/N 0300096809 TO PRESENT) (CONTINUED)

ITEM #	PART NUMBER	QTY.	DESCRIPTION	REV.

SECTION 9 RECOMMENDED SERVICE PARTS STOCK

MODEL E/M400A/AJPnarrow & E/M450A/AJ

The following list will service one machine (built to current production per date on the front cover) with emergency repair parts which can be installed in the field. Parts from the list should be replaced when inventory is depleted to keep service parts stock supplied. For further information, contact your JLG dealer or the JLG Industries Parts Department.

Part Number	Description	Qty./Machine
STANDARD PARTS		Ref.
7021320	Cap, Breather (Figure 1-5)	1
7021618	Coil (Figure 1-6 & 2-2)	1
7021609	Coil (Figure 1-6, 2-1 & 2-2)	1
7021616	Filter Cartridge (Figure 1-6)	4
7011593	Fuse, DC (Figure 1-8)	2
7021610	Coil (Figure 2-2)	1
4360328	Switch, Toggle (Figures 2-8 & 4-6)	1
4360330	Switch, Toggle (Figures 2-8 & 4-6)	1
4360475	Switch, Mushroom (Figures 2-8 & 4-6)	1
4360476	Contact, Switch (Figures 2-8 & 4-6)	1
4360469	Switch, Key (Figure 2-8) (CE Spec)	1
4360470	Switch, Key (Figure 2-8) (Australian Spec)	1
2860030	Key, Replacement (Figure 2-8)	1
4360070	Breaker, Circuit (Figure 2-8)	1
2940074	Latch (Figure 4-2)	1
4360387	Switch, Push Button (Figure 4-6)	1
4360448	Breaker, Circuit (Figure 4-6)	1
100118419	Controller (Lift and Swing) (Figure 4-6)	1
100118418	Controller (Drive and Steer) (Figure 4-6)	1
3990001	Diode (Figure 7-5)	2
VARIABLE PARTS		Ref.
7020653	Breaker, Circuit (CE Spec 110/220V-50Hz Charger) (Figure 1-8)	1
7018525	Breaker, Circuit (Australian Spec 250V-50Hz Charger) (Figure 1-8)	1
7018564	Relay (Black) (CE Spec) (Figure 1-8)	1
7020654	Relay (Clear) (CE Spec) (Figure 1-8)	1
7018563	Relay (Black) (Australian Spec) (Figure 1-8)	1
1600293	Module (Posi-Trac) (Figure 1-9)	1
1600292	Module (Frame Power) (Figure 1-9)	1
70000318	Filter, Fuel (M450 & M400 Only) (Figure 1-11)	4
70000319	Filter, Oil (M450 & M400 Only) (Figure 1-11)	1 Dozen
70000323	Relay, Bosch (M450 & M400 Only) (Figure 1-11)	1
70000329	Fuse 15 Amp (M450 & M400 Only) (Figure 1-11)	2
70000330	Fuse 20 Amp (M450 & M400 Only) (Figure 1-11)	2
70000322	Relay, 12Votl 60Amp (M450 & M400 Only) (Figure 1-11)	1
70000313	Element, Air Cleaner (M450 & M400 Only) (Figure 1-11)	4
100116522	Switch, Limit (Figure 2-3)	1
70000326	Module (Engine Control) (M450 & M400 Only) (Figure 2-7)	1
1001109497	Module (Ground Control) (Figure 2-8)	1
4360274	Switch, Push Button (M450 & M400 Only) (Figure 2-8)	1
7019698	Power Track - 1 Link (E/M450A & E/M400A Only) (Figure 3-2)	2
70001996	Power Track - 2ft. Section (E/M450AJ & E/M400AJP Only) (Figure 3-3 & 3-5)	2

SECTION 9 RECOMMENDED SERVICE PARTS STOCK

MODEL E/M400A/AJPnarrow & E/M450A/AJ

The following list will service one machine (built to current production per date on the front cover) with emergency repair parts which can be installed in the field. Parts from the list should be replaced when inventory is depleted to keep service parts stock supplied. For further information, contact your JLG dealer or the JLG Industries Parts Department.

Part Number	Description	Qty./Machine
70001998	Power Track - Bracket Kit (E/M450AJ & E/M400AJP Only) (Figure 3-3 & 3-5)	1
4360548	Switch, Limit (Figure 3-8)	1
1001109498	Module (Platform Control) (Figure 4-6)	1
4360336	Switch, Toggle (M450 & M400 Only) (Figure 4-6)	1
1001109475	Breaker, Circuit (AC to Platform Option) (Figure 7-5)	1
1001109482	Breaker, Circuit (AC to Platform Option) (Figure 7-5)	1
2900838	U.S. Standards Fastener (Hardware) Kit	1
7014676	U.S. Standards Tool Kit	1

SECTION 10 SPECIAL OPTIONS

Note: This list is to accommodate machines ordered with special equipment. Options may not be applicable to all models. For more specific parts information contact JLG Parts Department.

FIG&ITEM#	PART NUMBER	QTY.	DESCRIPTION	REV.
10—1		Ref.	MISCELLANEOUS SPECIAL OPTIONS	
		Ref.	Airline Installations - 1/2in	
	0259877	Ref.	EM450A Models	
	0271801	Ref.	E/M400A Models	
	0275650	Ref.	E/M450AJ Models	
	See Note	Ref.	E/M400AJP Models (Note: Not Available for Purchase)	
	0270723	Ref.	Beacon Installation Mounted Under Platform	
	1001148971	Ref.	Bolt-On Lanyard Kit (Platform)	
	0256789	Ref.	Camera Mounting Installation	
	0258703	Ref.	Console Cover	
		Ref.	Cylinder Bellows Installations	
	0259397	Ref.	E/M400A & E/M450A	
	0271251	Ref.	E/M400AJP & E/M450AJ	
		2	Bellows - Platform Level & Master Cylinders Options:	
	0460110		E/M400A & E/M450A	
	0460194		E/M400AJP & E/M450AJ	
	0460115	1	Bellows - Main Lift Cylinder	
	0460113	1	Bellows - Mid Lift Cylinder	
	0460114	1	Bellows - Tower Lift Cylinder	
	0460196	1	Bellows - Jib Cylinder (E/M400AJP & E/M450AJ)	
	1320037	6	Clamp	
		Ref.	Decal Installations Options:	
	1702788	1	Decal - Biodegradable Hydraulic Fluid (All except German Spec)	
	1703479	1	Decal - Biodegradable Hydraulic Fluid (German Spec Only)	
	0259550/1283014	Ref.	Decal - Warning Stripes Installation	
	1001091932	Ref.	Drive Cutout at Tilt 3°	
		Ref.	ELECTRICAL CONNECTOR KITS	
	1001148902	Ref.	Amp Connector Kit	
	1001148903	Ref.	Deutsch DT Connector Kit	
	1001148904	Ref.	Deutsch HD Connector Kit	
	1001148905	Ref.	Packard Connector Kit	
	1001148906	Ref.	Various Connector Kit	
	4060959	Ref.	Footswitch Shield (Note: Move Decal to Shield)	

SECTION 10 SPECIAL OPTIONS

Note: This list is to accommodate machines ordered with special equipment. Options may not be applicable to all models. For more specific parts information contact JLG Parts Department.

FIG&ITEM#	PART NUMBER	QTY.	DESCRIPTION	REV.
	0259398	Ref.	Headlight and Taillights Installation	
	2920150	2	Headlight	
	7016356	2	Lamp, Seal Beam (1 Per Headlight)	
	2920118	2	Taillight	
	7016623	2	Bulb - Brake (1 Per Taillight)	
	7016624		Bulb - Tail (1 Per Taillight)	
		Ref.	Hydraulic Fluids	
	2300028	Ref.	Mobil DTE 10 Excel 15	
	70010346	1 gal/3.8l	Mobil DTE 10 Excel 15	
	2300042	Ref.	SYN Biodegradable	
	2300027	Ref.	Mobil EAL 224H - Biodegradable	
		Ref.	Inverter Installation (E Models Only)	
	0272034	Ref.	CE Spec	
	0271687	Ref.	Australian Spec	
	1001151286	Ref.	Jib Cylinder Kit	
		Ref.	Maintenance Kits (E400 & M450 Only)	
		Ref.	Kubota Engines	
	1001111013	1	Combined Filter Kit (Prior to S/N 0300088539)	
	1001110140	1	Engine Oil & Fuel Filter Kit (Prior to S/N 0300088539)	
	1001109716	1	Hydraulic & Air Filter Kit (Prior to S/N 0300088539)	
		Ref.	Yanmar Engines	
	1001111012	1	Combined Filter Kit	
	1001110142	1	Engine Oil & Fuel Filter Kit	
	1001109715	1	Hydraulic & Air Filter Kit	
	2902423	Ref.	Mechron Service Kit (For the addition of separate fuse for engine generator controller)	
		Ref.	Platform Entry Kits	
	1001142504	Ref.	Drop Bar (Replacing Swing Gate with Drop Bar)	
	1001142505	Ref.	Swing Gate (Replacing Drop Bar with Swing Gate)	
		Ref.	Platform Mesh Installations (Side Entry Platforms)	
	0273146	Ref.	30in X 5ft (76cm x 1.52m)	
	0273147	Ref.	30in X 4ft (76cm x 1.22m)	
	1001143669	Ref.	SkyGuard Installation Kit Note: See JLG 3124242 Accessories Manual	
	1001137672	Ref.	Platform Sensor Kit	
	1001143256	Ref.	Optional (Blue) Beacon Light Kit	

SECTION 10 SPECIAL OPTIONS

Note: This list is to accommodate machines ordered with special equipment. Options may not be applicable to all models. For more specific parts information contact JLG Parts Department.

FIG&ITEM#	PART NUMBER	QTY.	DESCRIPTION	REV.
		Ref.	Tools For Service	
	7002828	1	Wire Stripper	
	7002821	1	Wire Crimper (To Install Wire Ends to Wires)	
	7002823	1	Pin/Socket Extractor - Universal (To Remove Pins/Sockets from Connectors)	
	4460467	1	Extractor - 16-18 Gauge (For Removal of Pins/Sockets for Deutsch Connectors)	
	4460510	1	Extractor - 12-14 Gauge (For Removal of Pins/Sockets for Deutsch Connectors)	
	7002822	1	Screwdriver, Potentiometer (To Adjust Drive Controllers)	
	7016654	1	Screwdriver, Magnetic	
	7004275	1	Seal Installation Tool - 1in	
	7004276	1	Seal Installation Tool - 1 1/2in	
	7002826	1	Seal Installation Tool - 2in	
	2901443	1	Analyzer, Machine	
	2915230	1	Battery Charger Reprogram Controller Kit	
	1001137005	1	USB to RS232 Drive Installation (Service Kit)	
	0257728	Ref.	Tube Rack Installation	

SECTION 10 SPECIAL OPTIONS

Note: This list is to accommodate machines ordered with special equipment. Options may not be applicable to all models. For more specific parts information contact JLG Parts Department.

FIG&ITEM#	PART NUMBER	QTY.	DESCRIPTION	REV.

SECTION 11 PARTS NUMBER INDEX

Part Number	Page	Part Number	Page	Part Number	Page	Part Number	Page
00600443-15, 3-23, 3-27	0258974 1-43	0270415 1-8	0275892 7-28, 7-42
0060046 3-23, 3-27	0258995 1-8	0270416 1-8	0275893 7-28, 7-42
0060052 3-8, 3-27	0258996 1-8	0270417 1-8	0275894 7-29, 7-42
0060065 3-23, 3-27	0258997 1-8	0270418 1-8	0275895 7-29, 7-42
0100009 3-7, 4-17	0259064 2-4, 7-2	0270509 1-43	0275896 7-29, 7-42
0100010 8-4, 8-9	0259069 1-7, 1-31	0270510 1-43	0275897 7-29, 7-43
0100011	1-3, 1-7, 1-9, 1-36, 1-39, 1-43, 2-4, 2-11, 2-12, 2-23, 2-29, 2-30, 3-5, 3-7, 3-8, 3-9, 3- 11, 3-16, 3-19, 3-24, 3-25, 3-31, 4-4, 4-7, 4-8, 5- 3, 5-7, 5-13, 5- 18, 5-22, 5-25, 5-29, 5-33, 5-39, 5-43	0259102 4-19	0270702 3-8, 3-16, 3-24	0275898 7-29, 7-43
0100019	1-7, 1-31, 2-11, 3-32	0259127 7-28, 7-42	0270723 10-1	0362966 1-35, 1-39
0100020	2-23, 5-7, 6-4, 6-8, 6-12	0259288 8-3	0270724 3-3	0400055 1-23
0100035	1-44, 2-30, 4-17, 5- 3, 5-7, 5-18, 5- 22, 5-25, 5-29, 5-43	0259289 8-3	0270725 3-3, 3-7	0400195 1-24, 1-27
0100038	5-3, 5-7, 5-13, 5-18, 5-22, 5-25, 5-29, 5-33, 5-39, 5-43	0259290 8-3	0270817 3-31, 7-23, 7-37	0400197 1-24, 1-27
0100040 4-7	0259291 8-3	0271251 10-1	0400201 1-35, 1-39
0100048 1-23	0259292 8-3	0271464 7-28, 7-42	0440162 1-3
0100051 1-23	0259293 8-3	0271489 4-4, 4-19	0440203 2-11, 2-19
0100063 5-3	0259302 1-9	0271493 3-32	0440339 2-11, 2-19
0100081 3-12, 3-20	0259305 2-30, 7-2	0271494 3-32	0460110 10-1
0140011 4-17	0259322 8-3	0271641 1-35, 1-36	0460113 10-1
0140028 2-3	0259323 8-3	0271647 3-3, 3-24	0460114 10-1
0140031 2-4	0259324 8-3	0271649 3-23, 3-24	0460115 10-1
0182010 1-23	0259325 8-3	0271687 10-2	0460194 10-1
0253687 2-29	0259326 8-3	0271801 10-1	0460196 10-1
0253704 3-32	0259327 8-3	0271937 4-11	0561076 3-5
0253709 2-29	0259338 4-4, 4-9, 4-19	0272034 10-2	0561317 3-31
0253717 7-28	0259358 4-4, 4-19	0272082 4-3, 4-8	0561359 3-31
0254875 3-32	0259366 3-3, 3-15	0272106 4-3, 4-8	0561360 3-32
0256789 10-1	0259367 3-31, 7-23, 7-37	0272529 2-30	0561361 3-32
0257728 10-3	0259397 10-1	0272971 4-8, 7-23, 7-37	0561384 3-31
0257735 3-31, 7-23, 7-37	0259398 10-2	0272976 3-9, 3-16, 3-25	0561385 3-32
0257816 1-19	0259399 1-19, 2-3	0273089 4-17	0561386 3-32
0257817 1-3	0259439 3-8, 3-16, 3-24	0273104 2-26	0561424 3-32
0257824	1-35, 2-23, 2-26, 4- 19	0259440 3-15, 3-16	0273146 10-2	0610128 4-17
0257858 1-35, 1-36	0259441 3-23, 3-24	0273147 10-2	0610129 2-25
0258034 1-19, 2-3	0259481 1-36, 1-39	0273196 8-3	0610131	1-24, 1-25, 7-27, 7- 40
0258035 1-43	0259533 8-3	0273197 8-3	0610139 2-25
0258037 1-8	0259534 8-3	0273381 4-13	0610166 2-25
0258653 2-11	0259550 10-1	0273382 4-13	0630399 3-7
0258688 1-8	0259679 1-8	0273468 1-8	0630401 3-12, 3-20
0258689 1-23	0259693 1-24	0273573	1-35, 2-23, 2-26, 4- 19	0630440 1-43
0258691 3-3	0259754 3-8, 3-16	0273683 1-8	0630464 4-17
0258703 10-1	0259763 1-23	0273684 1-8	0630467 3-32
0258953 2-29	0259826 1-24	0274617	1-39, 2-23, 2-26, 4- 19	0630468 2-29
		0259877 10-1			0630487 3-7
		0259939 3-3, 3-24	0274989 8-3	0630491 2-30
		0259951 1-19, 2-3	0275069 8-9	0630518 2-25
		0259970 3-31, 7-23, 7-37	0275070 8-9	0630534 5-3
		0270010 1-3	0275216 7-32, 7-45	0630568 4-17
		0270028 1-8	0275217 7-32, 7-45	0641404	1-24, 1-25, 3-7, 4-4
		0270037 1-8	0275218 7-32, 7-45	0641405	1-25, 3-7, 7-30, 7-44
		0270100 1-43	0275219 7-32, 7-45	0641406	1-25, 1-31, 1-36, 1- 39, 1-43, 2-23, 4-3, 4-8, 8-7, 8- 11
		0270101 1-43	0275452 7-31, 7-45		
		0270103 1-7, 1-31	0275453 7-31, 7-45		
		0270273 8-3, 8-9	0275454 7-31, 7-45		
		0270274 8-3, 8-9	0275650 10-1	0641407	..3-8, 3-16, 3-24, 7- 30, 7-44
		0270338 4-11	0275663 7-28, 7-41	0641408	1-24, 1-25, 2-3, 2-4, 2-23, 4-3, 4-8, 8- 5, 8-10
		0270344	1-35, 2-23, 2-26, 4- 19	0275664 7-28, 7-41		
		0270400 3-15, 3-16	0275665 7-28, 7-42		
		0270402 3-23, 3-24	0275666 7-28, 7-42		
		0270408 4-3	0275667 7-28, 7-42	0641410 3-32

SECTION 11 PARTS NUMBER INDEX

Part Number	Page	Part Number	Page	Part Number	Page	Part Number	Page
0641413	2-3, 2-23	0741408	2-12	0961726	3-5, 3-11, 5-18, 5-22, 5-26	1001109482	7-31, 7-45, 9-2
0641414	4-4, 4-9	0741506	1-19	0961749	2-29	1001109497	2-25, 9-1
0641416	4-15, 7-31, 7-44	0741606	2-30, 3-20	0961845	4-3, 4-8	1001109498	4-17, 9-2
0641418	4-3, 4-8	0741608	3-20	0961893	5-3	1001109715	10-2
0641424	5-43	0750808	2-25	0961900	5-13	1001109716	10-2
0641426	2-3	0800584	3-7	0961947	3-15, 3-23, 3-27, 5-3, 5-5	1001109860	7-22, 7-36
0641504	1-23	0800852	3-3	0961948	3-11, 3-19	1001110140	10-2
0641505	1-35, 1-39	0801154	3-7	0961950	3-5, 3-8, 3-11, 3-19, 5-18, 5-22, 5-26	1001110142	10-2
0641506	1-23, 3-5, 4-11, 4-13	0801169	3-3, 3-7	0961951	1-3, 3-8, 3-15, 3-23, 5-3, 5-5, 5-13, 5-15, 5-33, 5-35	1001110226	4-19
0641507	1-36, 1-39	0801192	3-11	0962140	1-3	1001110435	4-17
0641508	1-31, 2-3, 4-11	0801197	3-3, 3-11	0962185	5-13, 5-33	1001110772	1-9
0641510	2-19, 2-29	0801198	3-11	0962257	3-27	1001110774	1-8, 1-9
0641512	1-35, 1-39, 5-39, 5-43	0801224	3-19	0962292	3-15, 3-23	1001110775	1-8
0641514	1-23, 3-31	0801225	3-3, 3-19	0962356	5-7, 5-11, 5-29, 5-31	1001111012	10-2
0641516	3-15, 3-23, 3-31, 4-11, 4-13	0801226	3-19	1001091435	7-28, 7-42	1001111013	10-2
0641518	1-35	0801227	3-3	1001091436	7-29, 7-42	10011113045	7-40
0641524	1-32	0801260	3-11	1001091437	7-29, 7-42	1001114782	1-23
0641542	1-9	0801261	3-7	1001091438	7-29, 7-42	1001116130	2-12
0641560	3-31	0801262	3-3	1001091439	7-29, 7-42	1001116193	2-12
0641604	5-39	0801263	3-7	1001091440	7-29, 7-43	1001116195	2-12
0641605	2-25, 3-11, 3-19	0801264	3-3	1001091441	7-29, 7-43	1001116232	2-12
0641606	1-3, 3-7, 3-11, 3-19	0801267	3-7	1001091932	10-1	1001116368	7-23, 7-36
0641607	3-8, 3-11, 3-16, 3-24	0840031	1-23	1001093687	8-6, 8-10, 8-11	1001116522	2-12, 7-28, 7-42, 9-1
0641608	1-19, 2-3, 2-11, 2-12, 3-5, 3-8, 3-11, 3-19	0840032	1-23	1001094670	3-15, 3-23	1001116811	7-41
0641609	1-7, 4-3	0860520	8-5, 8-10	1001096188	7-40	1001117172	4-8
0641610	3-5, 3-8, 3-9, 3-15, 3-16, 3-24, 3-25, 4-3, 4-7, 4-8	0861152	2-25	1001097150	7-31, 7-45	1001117320	4-8
0641616	2-23, 3-15, 3-23	0861176	4-3, 4-17	1001097505	2-4	1001118418	4-17, 4-25, 9-1
0641618	1-35, 1-39, 3-15, 3-23	0861215	4-17	1001097506	1-19, 1-21	1001118419	4-17, 4-21, 9-1
0641806	3-5	0861263	2-25	1001097507	2-3, 2-7	1001119566	4-19
0641808	1-23	0861314	4-3, 4-17	1001097775	2-4	1001121510	8-11
0641809	3-16, 3-24	0861352	2-25	1001097777	2-3, 2-4	1001123046	1-24
0641810	3-5, 3-15, 3-23, 3-24	0861401	2-25	1001099833	3-11	1001123052	1-25, 7-40
0641812	2-19, 3-5	0861529	4-3, 4-8, 4-17	1001099834	3-19	1001125248	1-39
0641813	1-23	0861532	4-3, 4-8, 4-17	1001100343	7-29, 7-30, 7-32, 7-43, 7-45	1001132175	4-18
0641818	3-7, 3-11, 3-19	0861537	4-17	1001100344	7-29, 7-30, 7-32, 7-43, 7-45	1001136889	4-8
0641826	1-7	0861731	7-29, 7-43	1001103105	1-25	1001137005	10-3
0681608	3-8, 3-9, 3-16, 3-24, 3-25	0861781	7-29, 7-43	1001103558	4-15	1001137672	10-2
0681810	1-3	0861782	7-29, 7-43	1001103559	4-15	1001138431	4-8
0681814	2-11	0861880	7-31, 7-45	1001103560	4-15	1001138432	4-8
0681816	2-11	0901921	2-29	1001103614	4-15	1001138494	4-8
0682010	1-7	0901923	2-29	1001103616	4-15	1001138514	4-8
0682012	1-7	0902406	2-25	1001103617	4-15	1001140278	3-4, 5-35
0682026	2-11	0902520	2-11	1001103732	2-11	1001140279	3-16, 3-24, 5-15
0682028	2-11	0902543	1-44	1001104626	2-19	1001140280	3-15, 5-5
0700408	7-31, 7-44	0902575	4-17	1001104850	2-11, 2-17	1001140429	4-8
0701010	4-4	0902588	4-17	1001104864	2-3, 2-7, 8-4, 8-9	1001140597	3-4, 5-31
0720804	4-17	0902681	1-44	1001105455	2-11	1001140598	3-8, 5-11
0721004	1-43	0903099	1-36	1001106757	3-12, 3-19	1001141760	5-39
0721005	2-26	0903484	7-31, 7-44	1001107677	4-18	1001141967	7-29, 7-43
0721006	1-43	0903612	7-31, 7-44	1001107779	1-25	1001141968	7-29, 7-30, 7-43
0721008	2-30	0920113	1-7	1001107780	1-25, 7-40	1001141969	7-29, 7-30, 7-43
		0940036	1-43	1001109475	7-31, 7-45, 9-2	1001141970	7-29, 7-30, 7-43
		0940048	3-5			1001141971	7-29, 7-30, 7-43
		0940091	4-11, 4-13			1001142504	10-2
		0940092	4-11, 4-13			1001142505	10-2
		0940093	4-11, 4-13			1001143256	10-2
		0940094	4-11, 4-13			1001143669	10-2
		0961127	8-4, 8-9			1001144018	4-8
		0961608	5-7, 5-29				

SECTION 11 PARTS NUMBER INDEX

Part Number	Page	Part Number	Page	Part Number	Page	Part Number	Page
1001144019	4-8	1060908	7-31, 7-45	1671037	4-17	1683941	5-17
1001144026	4-7	10837580	2-8	1681344	5-21	1683942	3-3, 3-4, 5-21
1001144027	4-7	1120094	5-17	1682154	5-7, 5-29	1683943	5-21
1001144629	4-7	1120108	5-21, 5-25	1682878	5-7	1683944	5-21
1001145799	4-8, 4-17	1120110	5-7, 5-29, 5-43	1682879	5-29	1683945	3-4, 5-25
1001145801	4-8	1120305	5-17, 5-21	1682886	5-29	1683946	5-25
1001146082	4-8	1120375	5-21	1682888	5-39	1683947	5-25
1001146083	4-8, 4-17	1120407	5-17	1682948	5-39	1683980	5-43
1001148902	10-1	1120487	2-23	1683016	5-17	1683995	5-7
1001148903	10-1	1180302	3-7	1683021	5-21	1684002	5-29
1001148904	10-1	1180352	3-11	1683051	5-3	1684007	5-7, 5-29
1001148905	10-1	1180353	3-19	1683052	5-13	1684022	5-17
1001148906	10-1	1220038	3-7	1683285	3-8, 5-7	1684023	5-17
1001148971	10-1	1220039	3-7	1683286	5-7	1684024	3-3, 5-17
1001149818	2-30, 7-46	1220040	3-7	1683325	3-4, 5-29	1684025	5-21
1001149955	2-30, 7-2	1283014	10-1	1683505	5-25	1684026	5-21
1001149994	2-30	1283055	7-2	1683514	5-25	1684027	3-3, 5-21
1001150161	1-23	1320012	1-36, 1-39	1683515	5-17	1684029	5-39
1001150181	1-23	1320017	6-7	1683516	5-21	1684030	3-7, 5-39
1001150406	2-30	1320022	1-35, 1-39, 2-23	1683584	5-43	1684031	5-25
1001150513	1-23	1320033	1-36, 6-3, 6-7, 6-11	1683591	1-3, 5-37	1684032	5-25
1001150514	1-23	1320037	10-1	1683704	3-7, 5-39	1684033	3-4, 5-25
1001151286	10-2	1320040	3-32	1683705	5-39	1684055	5-17
1001153017	2-11, 2-19	1320041	2-23, 2-29	1683706	5-39	1684056	5-21
1001153366	2-11	1320043	2-29	1683708	3-4, 5-25	1684057	3-3, 5-21
1060092	1-23	1320095	3-32	1683709	5-25	1684058	3-3, 5-17
1060279	8-5, 8-10	1320135	1-36, 1-39	1683710	5-17	1684059	5-25
1060330	4-9, 7-23, 7-37	1320136	1-24, 1-25	1683711	3-3, 5-17	1684060	5-25
1060341	3-32, 3-33, 7-26	1320172	1-24, 1-32	1683712	5-17, 5-21	1684061	3-4, 5-25
1060461	7-30, 7-44	1320195	3-31	1683713	3-3, 5-21	1684447	3-4, 5-21
1060584	2-26	1320199	3-32	1683756	5-33	1684451	3-3, 5-17
1060677	7-23, 7-37	1320259	3-15, 3-23	1683759	5-13	1684452	3-3, 3-4, 5-21
1060689	7-40	1320260	3-31	1683760	3-16, 5-13	1684453	3-3, 5-17
1060717	1-31	1380136	2-3	1683761	5-13	1684454	3-4, 5-21
1060718	1-31	1380138	1-43	1683772	5-33	1684492	3-3, 5-17
1060719	1-31	1380164	1-39	1683779	3-15, 3-23, 5-3	1684493	3-3, 5-21
1060720	1-31	1580012	4-4, 4-9	1683780	5-3	1693292	8-4
1060721	1-31	1580013	4-4, 4-9	1683783	5-3	1693294	8-4
1060722	1-31	1600273	4-17, 4-25	1683798	3-11, 5-39	1700584	8-3, 8-9
1060723	1-31	1600274	4-17, 4-21	1683800	5-39	1701500	8-5
1060724	1-31	1600292	1-31, 9-1	1683802	5-39	1701502	8-6, 8-10
1060725	1-31	1600293	1-31, 9-1	1683813	3-4, 5-25	1701503	8-6, 8-10
1060726	1-31	1600294	1-31, 1-32, 7-27, 7-41	1683815	5-25	1701504	8-4, 8-9
1060727	1-31	1600310	4-19	1683817	5-25	1701505	8-6
1060728	1-31	1600466	1-25	1683825	3-3, 5-21	1701509	8-5, 8-10
1060730	1-36, 1-39	1670678	3-7, 3-11	1683826	3-3, 5-17	1701518	8-5, 8-10
1060731	1-36, 1-39	1670679	3-7, 3-11	1683827	5-17	1701600	8-4
1060754	1-35, 1-39	1670697	3-32	1683829	5-21	1701642	8-4, 8-9
1060755	1-35, 1-39	1670698	3-7	1683863	5-43	1701644	8-4, 8-9
1060759	7-27	1670829	4-17	1683911	3-19, 5-43	1701691	8-4, 8-9
1060760	1-23	1670832	3-33	1683912	5-43	1701791	8-4
1060761	1-24	1670833	3-33	1683923	3-4, 5-33	1702124	6-4, 6-8, 6-12
1060777	7-27	1670879	1-43	1683924	3-16, 3-24, 5-13	1702265	8-5
1060778	7-27, 7-40	1670880	1-43	1683925	5-13, 5-33	1702266	8-5
1060780	7-23	1670887	1-9	1683932	3-4, 5-29	1702267	8-5
1060781	7-23	1670905	4-4	1683933	3-8, 5-7	1702268	8-5
1060809	1-24	1670951	1-43	1683934	5-7, 5-29	1702269	8-5
1060810	1-31	1670959	3-19	1683939	3-3, 5-17	1702270	8-5
1060811	1-24			1683940	5-17	1702298	8-6

SECTION 11 PARTS NUMBER INDEX

Part Number	Page	Part Number	Page	Part Number	Page	Part Number	Page
1702300	8-5	1704788	8-3, 8-9	2220415	6-3, 6-7, 6-11	2560122	2-3
1702565	4-18	1704789	8-3, 8-9	2220428	6-3, 6-7, 6-11	2560123	2-3
1702566	4-18	1704790	8-3, 8-9	2220429	6-3, 6-7, 6-11	2560136	4-18
1702567	4-18	1704791	8-3, 8-9	2220459	2-23	2600281	4-7
1702701	1-9	1704792	8-3, 8-9	2220466	6-3, 6-5, 6-7, 6-11	2680473	2-29
1702740	1-9	1704793	8-3, 8-9	2220472	6-3, 6-7, 6-11	2680474	2-29
1702773	8-6, 8-10	1704794	8-3, 8-9	2220473	6-3, 6-7, 6-11	2680475	2-29
1702774	8-6, 8-10	1704830	8-6, 8-11	2220501	6-4, 6-8, 6-12	2700093	1-43
1702788	10-1	1704885	8-7, 8-11	2220502	6-3, 6-4, 6-5, 6-7, 6-11	2720058	1-35, 1-39, 2-23
1702860	8-3, 8-9	1704900	8-3, 8-9			2720271	2-23
1702962	8-6	1704901	8-3, 8-9	2220504	6-4, 6-7, 6-11	2720455	1-36
1703247	8-5, 8-10	1704958	8-3, 8-9	2220507	6-3, 6-7, 6-11	2720559	1-39
1703479	10-1	1704959	8-3, 8-9	2220516	5-39, 5-43	2750900	6-8, 6-12
1703488	8-5, 8-10	1705084	8-6	2220517	5-39, 5-43	2750910	6-3, 6-7, 6-11
1703518	8-4	1705085	8-4, 8-9	2220582	6-7, 6-11	2750996	6-4, 6-7
1703799	8-4	1705170	4-19	2220593	6-3, 6-7, 6-11	2751009	6-7
1703800	8-3	1705240	8-5	2220596	5-39, 5-43	2751095	2-11
1703806	8-4	1705254	8-4	2220600	6-4, 6-8, 6-12	2751126	6-4
1703807	8-3	1705255	8-3	2220605	6-4, 6-7, 6-11	2751127	6-3
1703811	8-5, 8-10	1705260	8-6	2220609	6-4, 6-8, 6-12	2751414	6-8
1703813	8-5	1705261	8-5	2220628	5-39, 5-43	2751498	6-3, 6-7, 6-11
1703814	8-5, 8-10	1705275	8-4	2220654	6-8	2751508	6-4, 6-7
1703913	8-4	1705325	7-31, 7-45	2220677	6-4, 6-8, 6-12	2751890	6-12
1703914	8-3	1705670	8-10	2220684	6-4	2752430	6-7, 6-11
1703915	8-4	1705822	8-3, 8-9	2220711	6-4, 6-7, 6-11	2752435	6-4
1703916	8-3	1705828	8-9	2220727	6-4	2752437	6-3, 6-7, 6-11
1703917	8-4	1705921	8-4, 8-9	2220819	6-4	2752440	6-4
1703918	8-3	1705977	8-5, 8-10	2220873	6-3, 6-7, 6-11	2752446	6-3, 6-7, 6-11
1703919	8-4	1705978	8-10	2220883	5-8, 5-39, 5-43	2752459	6-3, 6-7, 6-11
1703920	8-3	1706378	8-4, 8-10	2220885	5-3, 5-18, 5-22, 5-25, 6-3, 6-7, 6-11	2752466	6-7, 6-11
1703992	8-4	1706899	8-11			2752475	6-4
1703996	8-6	1706938	2-25	2220886	1-19	2752476	6-3, 6-7, 6-11
1704192	4-18	1760160	3-7	2220899	6-3, 6-7, 6-11	2752487	6-3, 6-7, 6-11
1704200	8-6, 8-10	1810134	2-25	2220909	6-5, 6-8, 6-12	2752488	6-3, 6-7, 6-11
1704239	4-19	1810135	2-25	2220923	6-4, 6-8, 6-12	2752571	6-11
1704240	4-18	1810137	2-25	2220934	6-4, 6-8, 6-12	2752572	6-4
1704254	8-4, 8-10	1810138	2-25	2220934	6-4, 6-8, 6-12	2752573	6-4
1704260	4-18	1810139	2-25	2220998	6-3, 6-7, 6-11	2752580	6-3
1704262	8-4, 8-9	1870072	7-2	2220999	6-3, 6-7, 6-11	2752581	6-4
1704277	8-4, 8-9	1870126	7-2	2221033	6-3, 6-7, 6-11	2752585	6-4, 6-7
1704286	8-6, 8-10, 8-11	1870227	7-2	2221039	6-12	2752595	6-3, 6-7, 6-11
1704358	8-6, 8-11	2000320	1-39, 1-40	2221046	2-23	2752600	6-3, 6-7, 6-11
1704359	8-6, 8-11	2080040	4-7	2221047	2-23	2752611	6-4, 6-7, 6-8, 6-11, 6-12
1704360	8-6, 8-10	2120042	1-35, 1-39	2221054	6-4, 6-7, 6-11		
1704361	8-6, 8-11	2160001	2-19, 2-20	2221147	6-4	2752619	6-11
1704362	8-6, 8-11	2160002	2-11	2300027	10-2	2752620	6-3
1704412	8-6, 8-11	2160003	2-19, 2-20	2300028	10-2	2752675	6-3, 6-7, 6-11
1704422	4-18	2180344	2-11	2300042	10-2	2752795	6-3, 6-7
1704431	8-5, 8-10	2180536	2-23	2360505	1-4	2752983	6-4
1704445	8-5, 8-10	2200222	5-7	2360510	1-4	2753050	6-3, 6-7
1704446	8-4, 8-5	2220001	2-11	2360531	1-4	2753301	6-7
1704447	8-5	2220124	2-11	2360532	1-4	2753302	6-7
1704448	8-4	2220237	6-5, 6-8, 6-12	2360538	1-4	2753303	6-8
1704449	8-5	2220239	6-5	2360548	1-4	2753304	6-7
1704450	8-5	2220315	2-23	2400093	7-31	2753305	6-8
1704451	8-5	2220371	6-3, 6-7, 6-11	2420106	2-25	2753326	6-3
1704727	8-5, 8-10	2220374	6-8, 6-12	2540019	1-31	2753329	6-12
1704752	8-5, 8-10	2220386	6-4, 6-7, 6-11	2540020	1-32	2753330	6-12
1704787	8-3, 8-9	2220414	6-4, 6-8, 6-12	2540021	1-31	2753331	6-12

SECTION 11 PARTS NUMBER INDEX

Part Number	Page	Part Number	Page	Part Number	Page	Part Number	Page
2753332	6-3, 6-12	2901806	5-18	3311011	2-26	3422480	3-4
2753333	6-11	2901807	5-39	3311401	1-43, 1-44, 2-29, 3-7, 3-11, 3-19, 3-31	3422481	3-4
2753334	6-4, 6-11	2901810	5-3			3422582	3-5
2753335	6-3, 6-11	2901898	5-13, 5-33			3422669	3-16, 3-24
2753336	6-12	2901902	5-8, 5-29	3311405	1-19, 1-24, 1-25, 1-31, 1-36, 1-39, 1-43, 2-3, 2-4, 2-23, 3-8, 3-16, 3-24, 3-32, 4-3, 4-4, 4-9, 4-15, 5-43, 7-31, 7-44, 8-5, 8-10	3422692	1-3
2753337	6-3, 6-11	2901903	5-43			3422709	3-8
2753474	6-4, 6-11	2902046	1-32			3422791	3-15, 3-23
2753475	6-4, 6-11	2902209	5-3			3422792	3-16, 3-24
2753519	6-3	2902419	5-22			3422793	3-15
2753520	6-4	2902423	10-2			3422794	3-15, 3-23
2753535	6-4	2902549	7-31, 7-45			3422804	3-11, 3-19
2760105	4-18	2910866	4-19			3422806	3-4
2780236	1-7, 1-11	2915104	2-20	3311501	2-29, 3-15, 3-23, 4-11, 4-13	3422814	3-24
2780241	1-3	2915230	1-25, 10-3			3422844	3-4
2780242	1-3	2920095	4-4, 4-9, 7-32, 7-45	3311505	1-19, 1-31, 1-35, 1-39, 2-3, 3-5, 3-12, 3-20, 3-31, 4-11	3422845	3-4
2780250	1-3	2920118	10-2			3422901	3-7
2780251	1-3	2920129	7-22, 7-32, 7-36, 7-45			3430840	2-29
2780282	1-7, 1-15					3450810	1-3
2790900	6-4	2920146	2-30	3311601	2-29, 4-17	3460457	1-39
2792334	6-14	2920150	10-2	3311602	3-7	3480115	5-21
2792337	6-14	2920151	2-26	3311605	1-19, 1-35, 1-39, 3-5, 3-8, 3-9, 3-11, 3-15, 3-16, 3-19, 3-23, 3-24, 3-25, 4-3, 4-7, 4-9	3480217	5-7, 5-29
2792395	6-14	2920161	2-30			3480239	5-39, 5-43
2792413	6-14	2940071	2-29			3480240	5-21, 5-25
2792458	6-14	2940074	4-7, 9-1			3480241	5-17
2792505	6-14	2940095	1-43			3480242	5-17, 5-21
2792506	6-3, 6-14	2940115	1-43	3311805	3-5, 3-16, 3-24	3480247	5-13
2792507	6-7, 6-14	3000003	1-23	3312008	1-3	3480249	5-3
2792509	6-11, 6-14	3010119	1-3	3312602	2-30	3480259	5-13, 5-33
2792510	6-3, 6-14	3010121	1-3	3322202	1-3	3480261	5-7, 5-29
2820035	2-30, 4-4, 4-9	3020022	3-5, 3-15, 3-24	3322205	5-39, 5-43	3510695	4-3
2820036	2-30	3020027	2-11	3323003	1-3	3510696	4-3
2820105	1-44	3020029	2-11	3340663	3-7	3510830	4-7
2820106	1-44	3020036	2-11	3340679	5-39	3510831	4-7
2820107	1-36	3020037	1-7	3340682	3-7	3510844	4-7
2820110	1-44	3160233	2-11, 2-15	3340756	3-11	3520026	1-43, 2-26
2820111	1-36, 1-39	3160239	1-7	3340820	3-7	3520028	2-26, 4-18
2820112	1-36, 1-39	3200404	1-35, 1-39	3340837	3-11	3520030	4-18
2820116	1-36, 1-39	3252347	4-4, 8-4	3340859	3-12, 3-20	3520034	3-8
2820117	1-35, 1-39	3252507	7-31, 7-45, 8-4	3340860	3-15, 3-23	3520054	2-26, 4-18
2820165	1-36	3252632	2-25	3340878	3-19	3520072	4-7
2820218	1-39	3252669	2-25	3340881	3-11	3520082	1-44, 3-19
2860030	2-26, 9-1	3252812	2-25	3340882	5-43	3520182	4-15
2900371	5-22	3290405	7-31, 7-44	3340884	3-19	3520198	4-7, 4-8
2900708	2-4	3290606	4-8	3340886	3-19	3536089	4-4, 4-9
2900768	1-7	3300151	3-32, 4-3, 4-8	3340939	3-12, 3-20	3536491	3-3
2900770	3-28, 5-17, 5-22, 5-25, 5-40, 5-43	3300188	2-25	3340940	3-12, 3-20	3536999	3-31
2900792	5-3, 5-5, 5-7, 5-11, 5-13, 5-15	3300279	5-21, 5-25	3380434	4-3, 4-9	3537045	3-3
2900838	9-2	3300281	5-17, 5-21	3380510	1-36	3537903	2-30
2901147	5-8, 5-29	3300308	5-7, 5-29	3380511	1-36	3570572	1-43
2901443	7-32, 7-46, 10-3	3300315	5-25	3380602	1-39	3570573	1-43
2901482	2-29	3300365	2-25	3420156	2-29, 4-17	3570581	1-37
2901486	2-29	3300371	1-43	3422175	3-4	3570958	3-12, 3-19
2901776	5-13	3300396	2-26	3422176	3-4	3571094	1-43
2901777	2-29	3300426	1-3, 1-4, 1-7	3422177	3-4	3571157	2-23
2901778	2-29	3310601	1-31, 4-18, 4-19	3422178	3-4	3571160	1-19
2901778	2-29	3310805	2-12	3422179	3-4	3571222	4-18
2901804	5-25, 5-26	3311001	2-30, 4-7	3422180	3-5, 3-8	3571401	1-36
2901805	5-18, 5-22	3311005	1-43, 2-26, 2-30, 3-32, 4-18	3422181	3-8	3571406	3-15, 3-23
				3422185	3-7	3571412	1-37

SECTION 11 PARTS NUMBER INDEX

Part Number	Page	Part Number	Page	Part Number	Page	Part Number	Page
3571462	3-31	4060802	2-26	4460224	7-26, 7-39		28, 7-38, 7-39,
3571834	1-24, 1-25	4060803	1-36, 2-29	4460225	7-22, 7-23, 7-25, 7-27, 7-28, 7-36, 7-38, 7-40, 7-41, 7-42	4460464	4-9, 7-22, 7-23, 7-26, 7-36, 7-37, 7-39, 7-40, 7-41,
3572413	4-3, 4-7	4060804	1-44, 3-12, 3-20				
3572551	3-15, 3-23	4060805	2-29, 3-31	4460226	4-21, 4-22, 4-25, 7-22, 7-24, 7-26, 7-27, 7-28, 7-32, 7-36, 7-38, 7-39, 7-40, 7-41, 7-42		7-46
3575952	1-40	4060808	3-31			4460465	7-23, 7-25, 7-28, 7-37, 7-38, 7-39,
3575961	1-39	4060865	2-30				7-42, 7-45
3600289	1-19	4060906	2-26	4460227	7-22, 7-23, 7-24, 7-25, 7-27, 7-28, 7-32, 7-36, 7-38, 7-39, 7-40, 7-41, 7-42, 7-46	4460466	7-28, 7-40, 7-42
3740063	7-2	4060959	10-1			4460467	7-32, 7-46, 10-3
3740087	7-2	4070863	3-19			4460488	4-18
3760115	3-7, 3-11, 3-19	4070864	3-19			4460495	2-25, 7-24, 7-26, 7-39
3760308	1-43, 4-17	4070897	3-11	4460234	2-30, 4-18	4460496	2-25, 4-18, 7-23, 7-26, 7-37, 7-39
3760318	5-39, 5-43	4070898	3-11	4460248	2-26	4460497	2-25, 4-18, 7-23, 7-26, 7-37, 7-39
3760367	5-3	4070982	3-11	4460259	2-26, 7-22, 7-36	4460508	7-41
3760368	5-13, 5-33	4070987	2-26	4460260	2-26, 7-22, 7-36	4460509	7-40
3780181	3-5, 3-8	4070997	3-19	4460264	2-25	4460510	7-32, 7-46, 10-3
3780184	3-5	4070998	3-19	4460265	4-21, 4-22, 4-25, 7-22, 7-24, 7-26, 7-27, 7-36, 7-38, 7-40	4460633	7-31
3790012	4-18, 4-19	4100025	1-36, 1-40			4460634	7-22, 7-36
3790113	5-40, 5-43	4100026	2-23, 6-4, 6-8, 6-12	4460267	1-36, 2-30, 7-22, 7-25, 7-28, 7-36, 7-38, 7-39, 7-41, 7-46	4460635	7-22, 7-36
3820001	8-4, 8-9	4100065	3-32			4460662	7-30, 7-44
3820020	4-7	4100067	3-32			4460685	2-4
3841143	3-5, 3-8, 3-15, 3-24	4120027	7-2			4460709	7-30, 7-44
3841203	3-5, 3-15, 3-24	4120035	7-22, 7-32, 7-36, 7-45	4460268	7-25, 7-26, 7-32, 7-38, 7-39, 7-45, 7-46	4460710	7-30, 7-44
3841367	1-3	4130350	1-3			4460742	7-25, 7-26, 7-38, 7-40
3841517	1-3	4130351	1-3	4460320	2-30, 7-25, 7-28, 7-32, 7-38, 7-39, 7-42, 7-45, 7-46	4460743	7-25, 7-26, 7-38, 7-40
3900085	2-30	4220162	2-30	4460321	7-22, 7-25, 7-27, 7-28, 7-32, 7-36, 7-38, 7-39, 7-40, 7-41, 7-42, 7-46	4460744	7-24, 7-26, 7-40
3900104	3-32	4220179	1-35			4460745	7-24, 7-26, 7-40
3900109	1-3	4240032	2-30, 4-18, 4-19			4460746	7-24, 7-26, 7-40
3900142	5-25	4240033	1-25, 1-35, 2-23			4460748	7-26, 7-40
3900170	5-7, 5-18, 5-22, 5-25, 5-29	4240084	1-31			4460749	7-24, 7-26, 7-40
3900174	1-43	4240099	3-31, 4-4, 4-9			4460750	7-24, 7-26, 7-40
3900246	3-32	4240175	2-12			4460751	7-24, 7-26, 7-40
3910614	4-19	4300106	2-3			4460752	4-18, 7-23, 7-24, 7-37
3910636	1-31	4300135	1-31			4460753	3-31, 7-24, 7-37
3910804	2-26	4300140	3-31			4460754	3-31, 7-23, 7-24, 7-37
3911008	4-7	4341072	1-40			4460761	7-22, 7-27, 7-28, 7-36, 7-40, 7-42
3911014	2-30	4360031	4-4, 4-8			4460805	7-27, 7-41
3930824	2-12	4360070	2-26, 9-1			4460807	7-28, 7-41
3931016	5-13, 5-33	4360274	2-26, 9-1			4460808	7-28, 7-41
3931028	3-32	4360321	3-32			4460809	7-26, 7-28, 7-39, 7-41
3931430	1-24, 1-31	4360328	2-25, 4-18, 4-19, 9-1			4460836	7-25, 7-38
3931516	5-3, 5-13, 5-33	4360330	2-26, 4-18, 9-1			4460837	7-25, 7-38
3931816	3-23	4360336	4-18, 4-19, 7-2, 9-2			4460867	7-26, 7-28, 7-39, 7-41
3931832	2-11	4360387	4-18, 9-1				
3951402	5-22, 5-25, 5-39, 5-43	4360448	4-18, 7-2, 9-1			4460884	7-28, 7-42
3960389	1-36, 1-39, 1-44	4360462	4-18			4460891	7-45
3960417	1-36, 1-40, 1-44	4360469	2-26, 9-1			4460897	7-46
3960418	1-36, 1-40	4360470	2-26, 9-1			4460930	7-41
3960433	1-43	4360475	2-26, 4-18, 9-1				
3960438	2-25	4360476	2-25, 4-18, 9-1				
3960447	1-43	4360522	4-19				
3960453	2-29	4360548	3-32, 9-2				
3980035	1-35, 1-40	4400416	1-19				
3990001	7-25, 7-38, 9-1	4400417	2-23				
3990105	1-7, 7-27, 7-42	4420055	4-3				
3990106	7-25, 7-39	4420068	4-11, 4-13				
3990108	4-4	4460007	2-25				
4010618	4-8	4460071	4-4, 4-9, 7-23, 7-37				
		4460134	7-30				

SECTION 11 PARTS NUMBER INDEX

Part Number	Page	Part Number	Page	Part Number	Page	Part Number	Page
4460931	7-40	4640709	5-40, 5-43	4761400	1-19, 1-31, 2-3, 3-7, 3-19	4922071	7-22, 7-36
4460956	7-31, 7-45	4640771	5-40, 5-43	4761500	4-11	4922073	7-25, 7-38
4460957	7-31, 7-45	4640807	5-39, 5-40, 5-43	4761600	1-19, 2-25, 3-7, 3-11, 5-39	4922074	7-22
4460968	3-32, 7-30, 7-43, 7-44	4640816	5-17, 5-22	4761800	3-7, 3-11, 3-19	4922103	1-31
4460979	7-26, 7-28, 7-39, 7-41	4640861	6-4, 6-8, 6-12	4811400	7-31, 7-44	4922104	7-25, 7-38
4461196	7-28, 7-30, 7-42, 7-44	4640932	5-8, 5-11, 5-13, 5-15	4811700	4-8	4922117	7-25, 7-39
4461198	7-29, 7-30, 7-43	4640936	5-25	4812000	4-4	4922118	7-22, 7-36
4461199	7-28, 7-30, 7-42, 7-44	4641029	2-3, 2-4	4844303	3-3	4922157	7-22, 7-36
4461201	7-29, 7-30, 7-43	4641070	2-3, 2-7	4844304	3-3	4922160	7-22, 7-28, 7-36, 7-42
4461202	7-28, 7-30, 7-42, 7-44	4641086	5-13, 5-15	4844427	3-3	4922178	3-31, 7-23, 7-37
4461204	7-29, 7-30, 7-43	4641102	2-4	4844467	3-5	4922179	3-31, 7-23, 7-37
4461205	7-28, 7-30, 7-42, 7-44	4641119	2-4	4844541	3-3	4922222	4-19, 7-26, 7-39
4461207	7-29, 7-30, 7-43	4641149	1-19, 1-21	4844579	3-7	4922223	4-19, 7-26, 7-39
4461244	7-29, 7-43	4641167	1-9	4844603	1-43	4922263	7-25, 7-39
4461245	7-29, 7-43	4641195	2-3, 2-7	4844917	4-11	4922267	7-25, 7-39
4461246	7-29, 7-30, 7-43	4641386	5-17, 5-22	4845288	4-3	4922294	4-19, 7-27, 7-41
4461249	7-28, 7-30, 7-42, 7-44	4641394	2-3, 2-4	4845346	4-11	4922303	7-22, 7-36
4520206	1-9	464509	5-5	4845642	1-35	4922307	7-22, 7-36
4520208	1-9	4711400	1-19, 1-24, 1-25, 1-31, 1-36, 1-40, 2-3, 2-4, 2-23, 4-4, 4-8, 4-9, 7-31, 7-44	4845846	1-23	4922319	1-36, 7-28, 7-41
4520209	1-9	4711500	1-9, 1-23, 1-35, 1-40, 2-3, 3-12, 3-20, 4-17	4845925	3-15	4922328	1-19, 7-26, 7-39
4520231	1-8	4711600	1-7, 1-19, 2-11, 2-12, 3-8, 3-9, 3-11, 3-16, 3-19, 3-24, 3-25, 4-3, 4-7	4845926	3-15, 3-23	4922363	3-31, 7-23, 7-37
4520232	1-8	4711800	1-23	4845927	3-15, 3-23	4922364	3-31, 7-23
4520247	1-9	4740120	2-25, 4-18	4846026	3-3	4922366	7-24
4520269	1-9	4740156	1-3	4846033	3-11	4922367	7-24, 7-38
4520279	1-8	4740171	2-11	4846073	3-23	4922443	7-32, 7-45
4564417	2-12	4740207	5-17, 5-21	4846091	3-5	4922495	3-31, 7-23
4565992	5-17	4740362	3-8, 3-16, 3-24, 4-3, 4-9	4846106	1-23	4922496	3-31, 7-23, 7-37
4565994	5-22	4740394	5-21	4846107	1-23	4922534	7-32, 7-45
4566023	5-7, 5-29	4740397	2-25	4846180	3-19	4922552	3-31, 7-23, 7-37
4566027	5-39	4740411	4-3	4846209	3-3	4922609	7-30, 7-44
4566187	6-4	4740413	3-7	4846223	1-43	4922610	7-30, 7-44
4566188	6-4	4750600	1-31, 4-18, 4-19	4846276	4-3	4922612	7-30, 7-44
4566243	3-31	4750800	1-44, 2-12, 4-18	4846278	3-15, 3-23	4922613	3-33, 7-26, 7-39
4566356	3-5	4751000	1-43, 2-30, 4-7	4846307	3-3	4922614	3-32, 7-26, 7-39
4566427	3-5	4751400	1-43, 2-29, 3-7, 3-31, 4-3, 4-9, 4-15	4846322	3-8, 3-16, 3-24	4922615	3-33
4566432	5-17	4751500	1-19, 1-31, 1-36, 1-40, 2-29, 3-5, 3-15, 3-23, 3-31, 4-11, 4-13	4846452	4-7	4923061	4-9
4566435	5-22	4751800	1-23, 2-29	4846502	3-23	4923625	7-24, 7-38
4566623	6-4	4760600	1-31	4846608	3-9, 3-16, 3-25	4933059	7-2, 7-24
4567177	5-25	4761000	4-7	4846698	2-30	4933060	7-2, 7-22, 7-36
4567679	1-23			4846759	4-15	4933102	7-2
4567704	5-39			4846936	4-13	4933105	7-2, 7-22, 7-36
4567845	1-35			4846937	4-13	4933128	7-2, 7-24
4567908	5-25			4860181	1-9	4933388	7-2, 7-24, 7-38
4567946	6-8, 6-12			4860191	1-9	7000088	2-17
4567963	5-43			4891500	2-19	7000089	2-17
4568114	1-31			4891600	1-36, 1-40, 3-9, 3-17, 3-25	70000289	1-40
4568136	5-7, 5-29			4891800	1-3	70000290	1-40
4620118	2-11			4892000	1-7, 2-11	70000291	1-40
4620124	2-11			4920385	1-36, 1-40	70000292	1-40
4640392	1-9			4921570	7-30	70000293	1-40
4640509	5-3, 5-7, 5-11			4921571	7-30	70000294	1-40
4640634	5-17, 5-22			4921594	7-30	70000295	1-40
				4921595	7-30	70000296	1-40
				4922057	7-24	70000297	1-40
				4922058	7-24	70000298	1-40
				4922060	7-22, 7-36	70000299	1-40
						70000300	1-40
						70000301	1-40

SECTION 11 PARTS NUMBER INDEX

Part Number	Page	Part Number	Page	Part Number	Page	Part Number	Page
70000302	1-40	70001996	3-11, 3-19, 9-1	70003863	5-5	7006151	3-11, 3-19
70000303	1-40	70001998	3-11, 3-19, 9-2	70003864	5-5	7006152	3-11, 3-19
70000304	1-40	70002206	2-17	70004019	2-9	7007640	1-15
70000305	1-40	70002207	2-17	70004130	5-31	7007900	1-7
70000306	1-40	70002216	5-15, 5-35	70004131	5-11	7007913	1-7
70000307	1-40	70002217	5-15, 5-35	70004141	5-11, 5-31	7007933	1-7
70000308	1-40	70002220	5-5	70004142	5-11, 5-31	7007977	1-7
70000309	1-40	70002223	5-5	70004143	5-11, 5-31	7010542	1-21
70000310	1-41	70002244	1-41	70004144	5-31	7010543	1-21, 2-8
70000311	1-40	70002408	1-7	70004145	5-31	7011112	5-8, 5-11, 5-13, 5-15
70000312	1-41	70002724	4-25	70004146	5-11	7011323	3-28
70000313	1-41, 9-1	70002725	4-25	70004147	5-11	7011376	5-17, 5-22
70000314	1-41	70002726	4-25	70004159	2-19	7011577	1-27
70000315	1-41	70002728	4-25	7000625	4-4, 4-8	7011590	7-27
70000316	1-41	70002730	4-21	70010346	10-2	7011593	1-27, 9-1
70000317	1-41	70002731	4-21	70010724	2-11	7011594	1-27
70000318	1-41, 9-1	70002732	4-21	7001630	5-37	7011621	1-27, 7-27
70000319	1-41, 9-1	70002733	4-21	70023094	5-11, 5-31	7011716	1-7
70000320	1-41	70002734	4-21	70024262	5-11	7011757	1-7
70000321	1-41	70002735	4-21	7002821	7-32, 7-46, 10-3	7012518	1-21, 2-7, 2-9
70000322	1-41, 9-1	70002736	4-25, 4-26	7002822	10-3	7012540	2-9
70000323	1-37, 1-41, 9-1	70002737	4-26	7002823	7-32, 7-46, 10-3	7012596	2-20
70000324	1-41	70002806	2-8	7002826	10-3	7012597	2-19
70000325	1-41	70002807	2-4	7002828	7-32, 7-46, 10-3	7012654	2-19
70000326	1-41, 2-23, 9-1	70002808	2-4	7003928	4-21	7012655	2-19
70000327	1-41	7000281	1-15	7003933	4-25	7012694	2-9
70000328	1-41, 2-23, 7-26, 7-39	70002902	4-8	7003935	4-25	7012903	2-7
		70002903	4-8	7003940	4-25	7012914	2-8
70000329	1-41, 9-1	70002904	4-8	7003941	4-25	7012918	2-8
70000330	1-41, 9-1	70002905	4-8	7003946	4-25	7012941	1-21
70000340	3-28	70002906	4-21	7003952	4-21	7012947	2-9
70000341	3-28	70003171	1-19	7003953	4-21	7012949	2-9
70000381	2-9	70003341	5-37	7003954	4-21	7012953	2-4, 2-7
70000382	1-41	70003483	4-8	7003955	4-21	7012959	2-4
70000739	5-11, 5-31	70003557	1-40	7003956	4-21	7012961	2-9
70000740	5-11, 5-31	70003618	1-41	7003969	4-25	7012967	1-21, 2-7
70000865	2-19	70003711	1-11	7003972	4-26	7012972	1-21
70000868	2-19	70003712	1-11	7003973	4-26	7012975	2-9
70000967	1-41	70003713	1-11	7003974	4-21, 4-25	7012981	2-4
70001121	1-40	70003714	1-11	7003976	4-21	7012995	2-7
70001144	1-41	70003715	1-11	7003977	4-21	7012998	1-21, 2-4, 2-7, 2-8
70001366	1-15	70003716	1-11	7003980	4-26	7014676	9-2
70001367	1-15	70003717	1-11	7003982	4-26	7016177	1-23
70001368	1-15, 1-16	70003718	1-11	7003983	4-26	7016314	2-23
70001369	1-15	70003719	1-11	7003986	4-25	7016319	2-30
70001370	1-15	70003720	1-11	7003989	4-26	7016356	4-4, 4-9, 10-2
70001371	1-15	70003721	1-11	7003992	4-21, 4-25	7016372	2-30
70001372	1-15	70003722	1-11	7003993	4-21, 4-25	7016623	10-2
70001373	1-15	70003723	1-11	7003994	4-25	7016624	10-2
70001374	1-15	70003724	1-12	7004035	2-17	7016654	10-3
70001375	1-15	70003725	1-12	7004036	2-17	7016676	2-19
70001376	1-15	70003819	5-15, 5-35	7004043	2-17	7016682	2-19
70001377	1-15	70003833	5-5	7004044	2-17	7017007	1-15, 1-16
70001378	1-15	70003836	5-5	7004045	2-17	7017009	1-15
70001379	1-15	70003843	5-35	7004047	2-17	7017022	1-15
70001380	1-15, 1-16	70003844	5-35	7004049	2-17	7017120	3-27
70001677	2-19	70003845	5-15, 5-35	7004275	10-3	7017121	3-27
70001876	2-7, 2-8	70003846	5-15	7004276	10-3	7017122	3-28
70001961	1-19	70003847	5-15	7006139	3-11, 3-19	7017123	3-28

SECTION 11 PARTS NUMBER INDEX

Part Number	Page	Part Number	Page	Part Number	Page	Part Number	Page
7017126	3-27	7019115	4-25	7020160	1-37	7021369	1-19
7017127	3-28	7019122	4-21	7020161	1-37	7021377	1-19
7017130	3-27	7019123	4-21	7020162	1-37	7021603	2-7
7017131	3-27	7019137	4-21	7020163	1-37	7021604	2-7
7017132	3-28	7019141	4-21	7020164	1-37	7021606	2-8
7017133	3-28	7019142	4-21	7020165	1-37	7021607	2-8
7017134	3-28	7019143	4-21	7020166	1-37	7021609	1-21, 2-4, 2-7, 9-1
7017135	3-27	7019144	4-21	7020167	1-37	7021610	2-7, 9-1
7017153	3-27	7019145	4-21	7020175	2-26, 4-18	7021611	1-21, 2-7
7017165	3-28	7019147	4-21	7020176	2-26, 4-18	7021616	1-21, 9-1
7017167	3-27	7019149	4-21	7020197	1-37	7021618	1-21, 2-7, 9-1
7017168	3-27	7019150	4-21	7020198	1-37	7021619	1-21
7017169	3-27	7019151	4-25	7020199	1-37	7021623	2-4
7017172	3-28	7019154	4-25	7020200	1-37	7021624	2-9
7017173	3-27	7019157	4-25	7020201	1-37	7021653	2-4, 2-8
7017178	3-28	7019158	4-25	7020202	1-37	7021659	1-21
7017179	3-28	7019159	4-25	7020203	1-37	7022000	1-32
7017192	3-28	7019160	4-25	7020204	1-37	7022001	1-32
7017196	3-27	7019161	4-25	7020206	1-37	7022002	1-32
7017246	5-37	7019162	4-25	7020207	1-37	7022003	1-32, 7-27, 7-41
7017247	5-37	7019164	4-26	7020215	1-37	7022004	1-32, 7-27, 7-41
7017248	5-37	7019165	4-26	7020217	1-37	7022005	1-32, 7-27, 7-41
7017249	5-37	7019167	4-26	7020644	1-27, 7-27	7022011	1-32
7017250	5-37	7019168	4-25	7020648	1-27	7022012	1-32
7017251	5-37	7019170	4-21	7020649	1-27	7022391	1-21
7017252	5-37	7019174	4-21	7020650	1-27	7022394	2-7
7017402	1-21, 2-4, 2-7	7019191	4-25	7020651	1-27	7022808	4-21
7017410	2-7	7019194	4-26	7020653	1-27, 9-1	7022812	4-25, 4-26
7017412	1-21	7019195	4-21	7020654	1-28, 9-1	7022813	4-21
7017418	2-8	7019196	4-26	7020663	1-27	7022815	4-21
7017421	2-8	7019197	4-21	7020685	1-27	7022902	1-27
7017422	2-8	7019698	3-7, 9-1	7020690	1-27	7022903	1-28
7017423	2-7, 2-8	7019699	3-7	7020691	1-27	7022905	1-27
7017428	1-21	7020035	1-3	7020693	1-27, 7-27	7022908	1-27
7017433	1-21, 2-7	7020036	1-3	7020697	1-27	7022909	1-27, 7-27
7017450	1-21, 2-7	7020037	1-4	7020699	1-27	7022925	1-27
7017452	2-4, 2-7	7020038	1-4	7021318	1-19	7023216	1-3
7017460	2-4	7020039	1-4	7021319	1-19	7023217	1-3
7017466	2-4	7020040	1-4	7021320	1-19, 9-1	7023274	1-37
7017479	2-7	7020041	1-4	7021323	1-11	7023318	2-17
7017488	1-21	7020054	1-4	7021324	1-11	7023337	7-26, 7-39
7017496	2-9	7020055	1-4	7021325	1-11	7023338	7-26, 7-39
7018122	1-37	7020099	4-17	7021326	1-11	7023349	1-37
7018123	1-37	7020100	4-17	7021327	1-11	7023350	1-37
7018124	1-37	7020126	2-15	7021328	1-11	7023484	2-19
7018125	1-37	7020127	2-15	7021329	1-12	7023485	1-37
7018126	1-36	7020128	2-15	7021333	1-12	7023486	2-23, 7-26
7018127	1-37	7020129	2-15	7021335	1-11	7023489	1-37
7018142	1-37	7020130	2-15	7021336	1-11	7023803	1-11
7018525	1-27, 9-1	7020131	2-15	7021337	1-11	7024047	1-12
7018537	1-27	7020137	1-4	7021338	1-12	7024049	1-11
7018563	1-27, 9-1	7020138	1-7	7021339	1-11	7024051	1-11
7018564	1-27, 9-1	7020140	1-4	7021340	1-12	7024053	1-11
7018571	1-27	7020150	1-7	7021341	1-11, 1-12	7024054	1-12
7018577	1-28	7020155	2-23, 7-26	7021342	1-11	7024379	2-17
7019103	4-25	7020156	2-23	7021344	1-12	7024380	2-17
7019110	4-25	7020157	1-37	7021361	1-19	7024381	2-17
7019111	4-21, 4-25	7020158	1-37	7021367	1-19	7024389	2-17
7019112	4-25	7020159	1-37	7021368	1-19	7024390	2-17

SECTION 11 PARTS NUMBER INDEX

Part Number	Page	Part Number	Page	Part Number	Page	Part Number	Page
7024453	2-17						
7024738	1-15						
7024741	1-15						
7024832	1-21						
7024844	5-5, 5-15						
7024891	2-4						
7024931	1-12						
7024981	1-12						
7024983	1-12						
7024984	1-12						
7024985	1-12						
7024986	1-12						
7026042	2-19						
7026043	2-19						
7026068	5-5						
7026082	5-15, 5-35						
7026084	5-15, 5-35						
7026088	5-5						
7026090	5-5						
7026091	5-5						
7026092	5-5						
7026669	1-37						
7026670	1-37						
7027275	1-7						
7027350	2-19						
7027351	2-19						
7027352	2-19						
7027353	2-19						
7027354	2-19						
7027356	2-19						
7027358	2-19						
7027359	2-19						
7027360	2-19						
7027361	2-19						
7027363	2-19						
7027900	3-27						
7027901	3-27						
90206369	2-19						



3121830



An Oshkosh Corporation Company

Corporate Office
JLG Industries, Inc.
1 JLG Drive
McConnellsburg PA. 17233-9533
USA

☎ (717) 485-5161

📠 (717) 485-6417

JLG Worldwide Locations

JLG Industries (Australia)
P.O. Box 5119
11 Bolwarra Road
Port Macquarie
N.S.W. 2444
Australia

☎ +61 2 65 811111

📠 +61 2 65 813058

JLG Latino Americana Ltda.
Rua Eng. Carlos Stevenson,
80-Suite 71
13092-310 Campinas-SP
Brazil

☎ +55 19 3295 0407

📠 +55 19 3295 1025

JLG Industries (UK) Ltd
Bentley House
Bentley Avenue
Middleton
Greater Manchester
M24 2GP - England

☎ +44 (0)161 654 1000

📠 +44 (0)161 654 1001

JLG France SAS
Z.I. de Baulieu
47400 Fauillet
France

☎ +33 (0)5 53 88 31 70

📠 +33 (0)5 53 88 31 79

JLG Deutschland GmbH
Max-Planck-Str. 21
D - 27721 Ritterhude - Ihlpohl
Germany

☎ +49 (0)421 69 350 20

📠 +49 (0)421 69 350 45

JLG Equipment Services Ltd.
Rm 1107 Landmark North
39 Lung Sum Avenue
Sheung Shui N. T.
Hong Kong

☎ (852) 2639 5783

📠 (852) 2639 5797

JLG Industries (Italia) s.r.l.
Via Po. 22
20010 Pregnana Milanese - MI
Italy

☎ +39 029 359 5210

📠 +39 029 359 5845

Oshkosh-JLG Singapore
Technology Equipment Pte
Ltd
29 Tuas Ave 4,
Jurong Industrial Estate
Singapore, 639379

☎ +65-6591 9030

📠 +65-6591 9031

Plataformas Elevadoras
JLG Iberica, S.L.
Trapadella, 2
P.I. Castellbisbal Sur
08755 Castellbisbal, Barcelona
Spain

☎ +34 93 772 4700

📠 +34 93 771 1762

JLG Sverige AB
Enkopingsvagen 150
Box 704
SE - 176 27 Jarfalla
Sweden

☎ +46 (0)850 659 500

📠 +46 (0)850 659 534