

IToolCo

User's Guide



CANNON CM3K™

100 MECO LANE | OAK RIDGE, TN 37830 | 865.670.3713 | ITOOLCO.COM
© 2019 PROPERTY OF ITOOLCO



BEFORE OPERATION OF THIS TOOL, READ AND UNDERSTAND ALL OF THE INSTRUCTIONS AND SAFETY INFORMATION IN THIS MANUAL



Contents

SAFETY FIRST	3
SAFETY ALERT SYMBOLS.....	3
IMPORTANT SAFETY INFORMATION	4
DESCRIPTION AND IDENTIFICATION.....	6
SET UP AND OPERATION	14
LIMITED WARRANTY: ITOOLCO CORDLESS CANNON 3K.....	20

SAFETY FIRST

Safety is essential in the use and maintenance of this tool. This instruction manual and any markings on the tool provide information for avoiding hazards and unsafe practices related to the use of this tool. Observe all of the safety information provided.

SAFETY ALERT SYMBOLS

This symbol is used to call your attention to hazards or unsafe practices that could result in injury or property damage. The three signal words, defined below, indicate the severity of the hazard. The message after the signal word provides the information for preventing or avoiding the hazard.



DANGER

Immediate hazards that, if not avoided, **WILL** result in severe injury or death.



WARNING

Hazards that, if not avoided, **COULD** result in severe injury or death.



CAUTION

Hazards or unsafe practices that, if not avoided, **MAY** result in injury or property damage.

IMPORTANT SAFETY INFORMATION



WARNING

Read and understand all instructions and safety information in this manual before operating or servicing this tool.

Also read the instruction manual supplied with your drill.

FAILURE TO OBSERVE THESE WARNINGS CAN RESULT IN SEVERE INJURY OR DEATH



WARNING – PERSONAL SAFETY HAZARDS

Only qualified persons should use the Cordless Cannon 3K.

Wear eye protection and hard hat when using this tool.

Do not use this tool while tired or under the influence of drugs, alcohol, or medication.

Keep body parts and loose clothing away from moving parts.

Always follow operating procedures.

FAILURE TO OBSERVE THESE WARNINGS CAN RESULT IN SEVERE INJURY OR DEATH.



WARNING – ELECTRICAL SHOCK HAZARDS

Do not expose power tools to rain or wet conditions. Water entering a power tool can increase the risk of electric shock.

Plug into a (GFCI) ground fault interrupted circuit outlet only.

Use a 20 Amp 120 Volt extension cord no more than 100 feet in length. Maintain proper care of power cords. Do not use the

cord to carry the tool or pull the plug from an outlet. Replace damaged cords immediately. Damaged cords can increase the risk of electrical shock. Do not use this tool near live circuits.

Shut off and lock out power when working near existing

circuits. FAILURE TO OBSERVE THESE WARNINGS CAN RESULT IN SEVERE INJURY OR DEATH.

**WARNING – ENTANGLEMENT HAZARD**

Do not operate this tool while wearing loose-fitting clothing. Retain long hair.

Keep hands away from pullers capstan. Rope at capstan can pinch or crush a hand or body part.

FAILURE TO OBSERVE THESE WARNINGS CAN RESULT IN SEVERE INJURY OR DEATH.

**WARNING – TIPPING HAZARD**

Use the same size adapter with conduit. Lock adapter under conduit nut. Disassemble when not in use. FAILURE TO OBSERVE THESE WARNINGS CAN RESULT IN SEVERE INJURY OR DEATH.

**WARNING – TOOL USE HAZARDS**

Use this tool for manufacturer's intended purpose only. Use other than that which is described in this manual can result in injury or property damage.

Do not use nylon or polypropylene rope. Extreme force can be stored when rope stretches. Inspect all aspects of the wire pull to ensure safety.

Inspect all aspects of the wire pull to ensure safety.

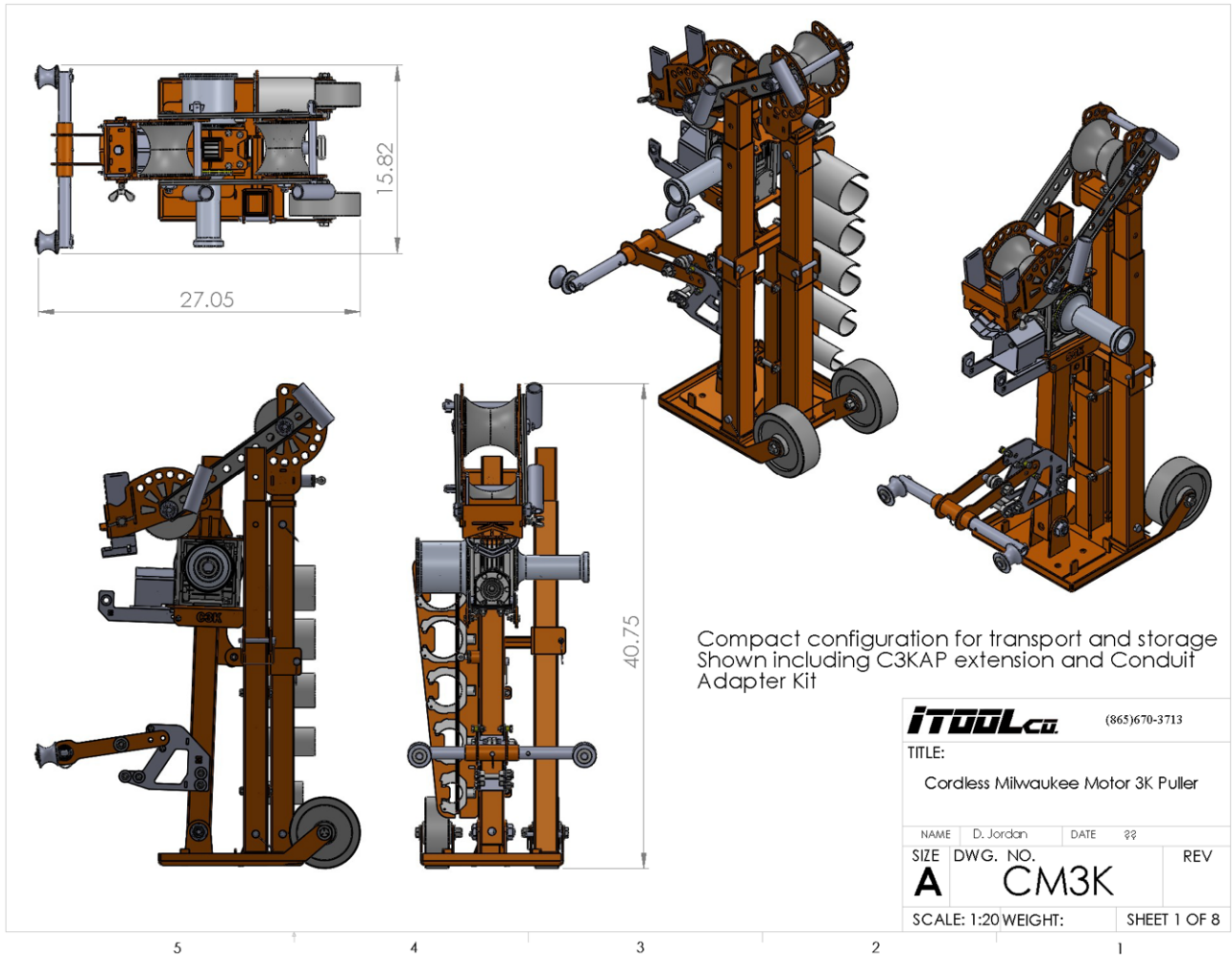
Only qualified personnel should use pulling equipment.

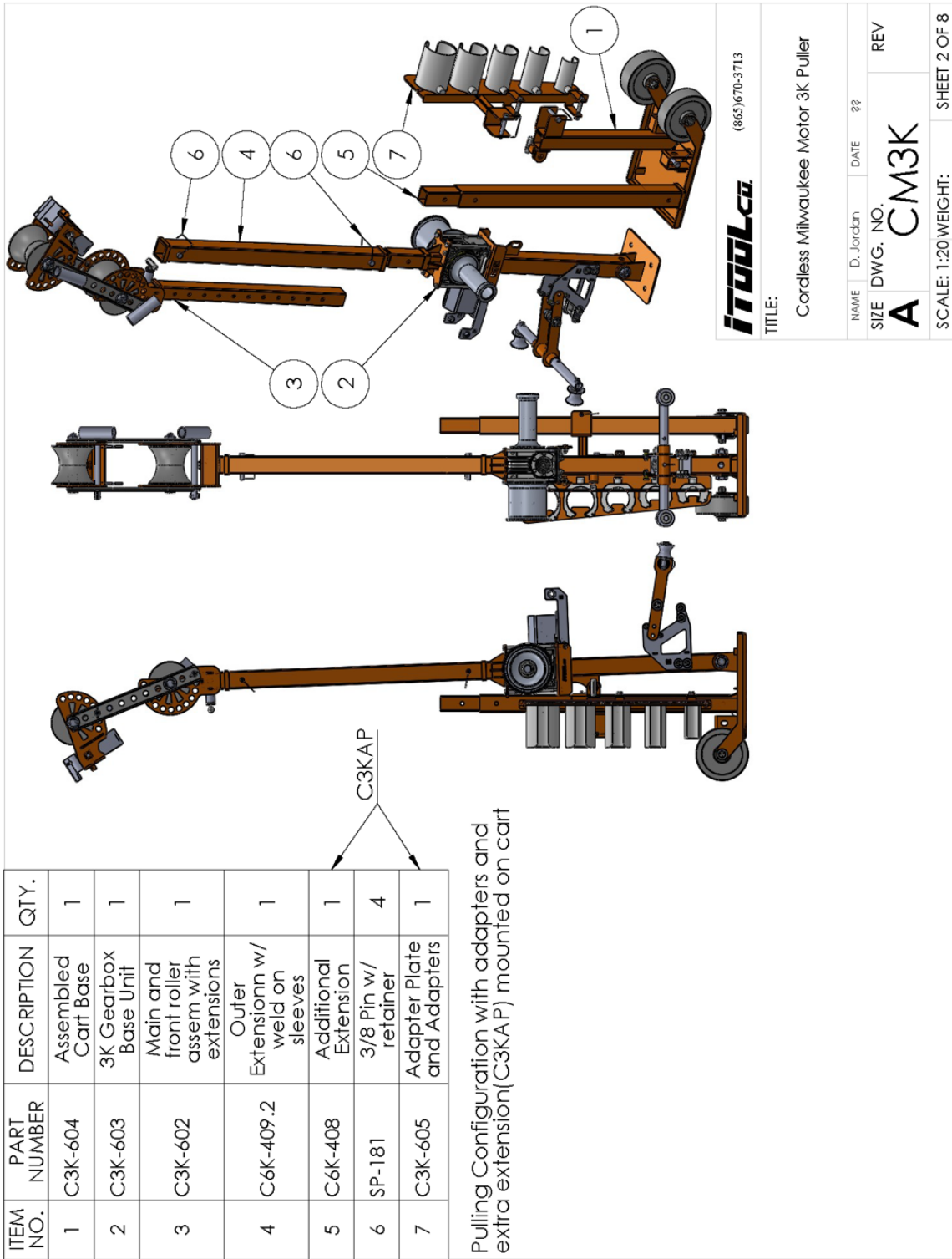
Do not use the cable puller as a hoist or winch. The cable puller cannot lower a load. The load may fall and cause serious injury or death.

FAILURE TO OBSERVE THESE WARNINGS CAN RESULT IN SEVERE INJURY OR DEATH.

DESCRIPTION AND IDENTIFICATION

The iTOOLco Cannon 3K is a 3,000 lb. cordless cable puller intended to pull small to medium wire through conduit.





ITEM NO.	PART NUMBER	DESCRIPTION	QTY.
1	C3K-604	Assembled Cart Base	1
2	C3K-603	3K Gearbox Base Unit	1
3	C3K-602	Main and front roller assem with extensions	1
4	C6K-409.2	Outer Extension w/ weld on sleeves	1
5	C6K-408	Additional Extension	1
6	SP-181	3/8 Pin w/ retainer	4
7	C3K-605	Adapter Plate and Adapters	1

Pulling Configuration with adapters and extra extension(C3KAP) mounted on cart

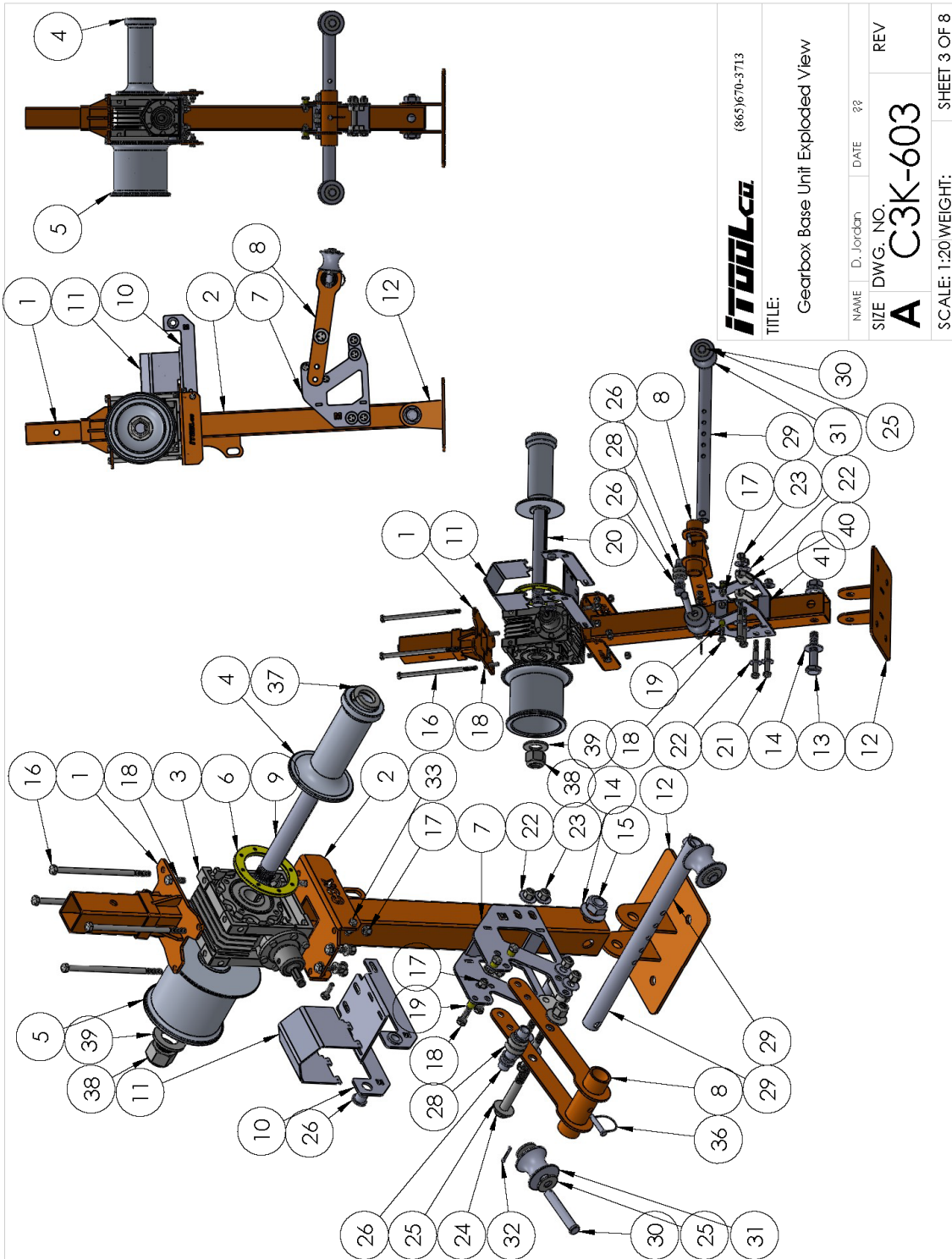
IToolCo (865)670-3713

TITLE: Cordless Milwaukee Motor 3K Puller

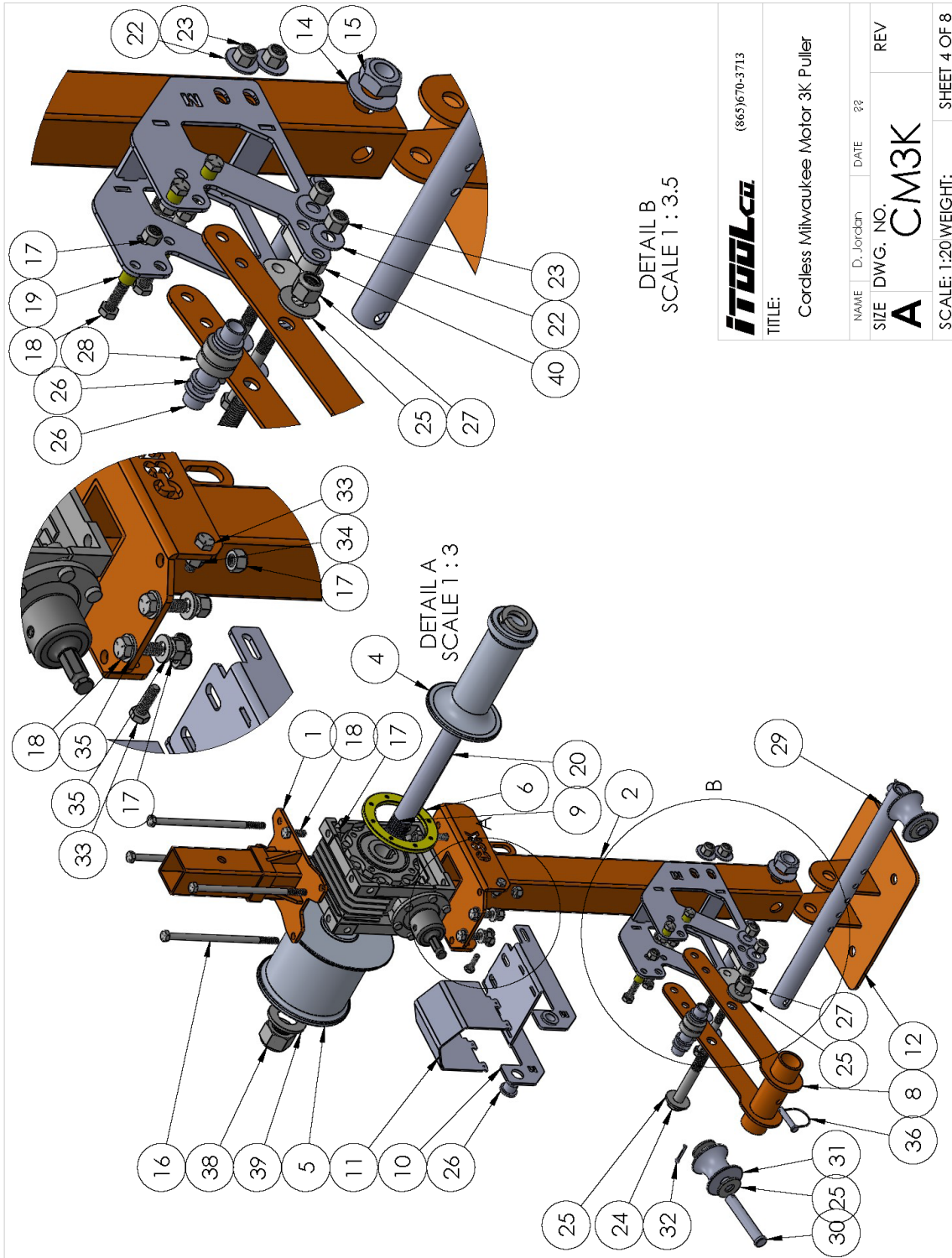
NAME: D. Jordan DATE: ??

SIZE: A DWG. NO.: CM3K REV: 1

SCALE: 1:20 WEIGHT: SHEET 2 OF 8



IToolCo		(865)670-3713	
TITLE: Gearbox Base Unit Exploded View			
NAME: D. Jordan	DATE: ??	REV: A	DWG. NO. C3K-603
SCALE: 1:20		WEIGHT: SHEET 3 OF 8	



IToolCo		(865)670-3713	
TITLE: Cordless Milwaukee Motor 3K Puller			
NAME: D. Jordan	DATE: ??	REV	
SIZE: A	DWG. NO. CM3K	REV	
SCALE: 1:20 WEIGHT:			SHEET 4 OF 8

ITEM NO.	PART NUMBER	DESCRIPTION	QTY.
1	C3K-405.3	Main roller 3K	1
2	C6K-405	Inner Telescoping Tube	1
3	C3K-411	3K Side arm Coated	2
4	HW-176	5/8" SAE Washer	8
5	SP-264	3K Roller	2
6	C6K-407	Front Knuckle	1
7	HW-175	5/8" 11t x 6.5" Bolt	2
8	Hw-182	5/8" nyloc nut	2
9	HW-159	1/2" 13T x .75"L Bolt	1
10	HW-166	1/2" flat washer	1
11	HW-164	1/2" 13t Wing Bolt	1
12	CK-10	Universal Adapter	1
13	SP-001.2	Pull Pop Pin	1
14	SP-182	5/8" Hitch Pin w/ Flashlight Holder	2

IToolCo (865)670-3713

TITLE: Main and Front rollers with Ext.

NAME: D. Jordan DATE:

SIZE: DWG. NO. **A C3K-602** REV:

SCALE: 1:20 WEIGHT: SHEET 6 OF 8

1

2

3

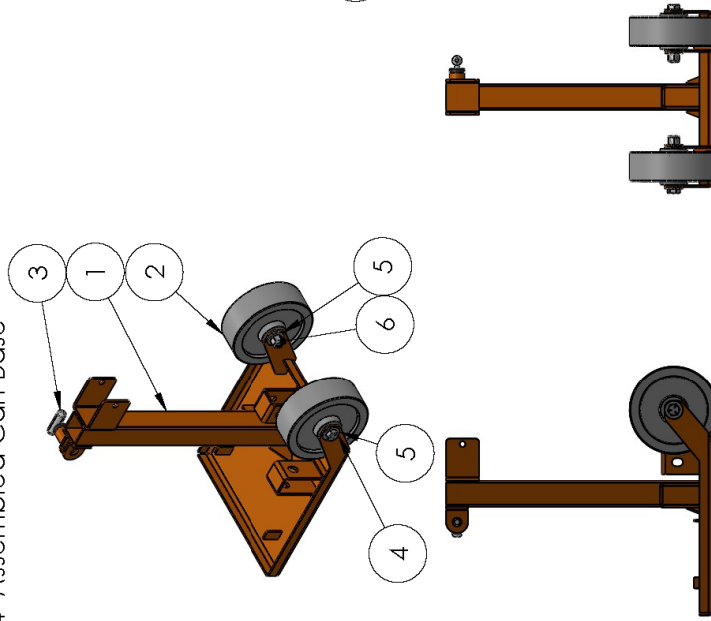
4

5

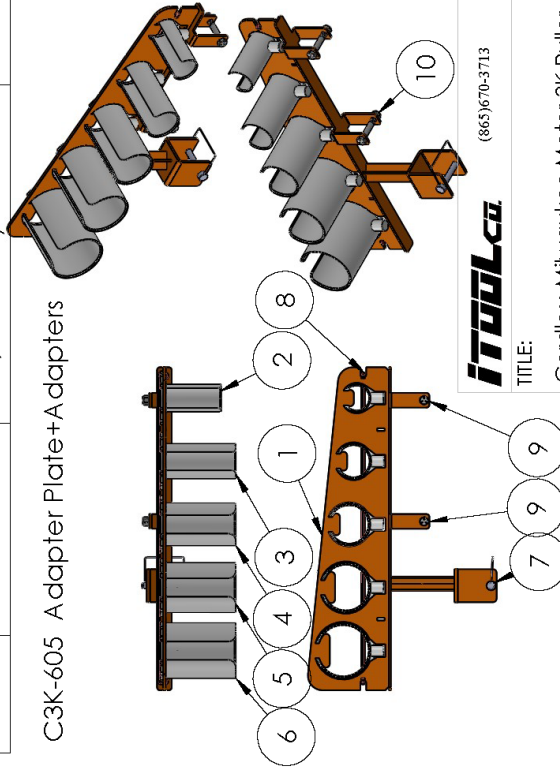
ITEM NO.	PART NUMBER	DESCRIPTION	QTY.
1	C3K-410	Adapter plate	1
2	CK-20	2" Conduit Adapter	1
3	CK-25	2.5" Conduit Adapter	1
4	CK-30	3" Conduit Adapter	1
5	CK-35	3.5" Conduit Adapter	1
6	CK-40	4" Conduit Adapter	1
7	SP-181	3/8 Pin w/ retainer	1
8	SP-189	18" Orange bungee	1
9	HW-136	2.5" - 3/8 x 16T G5 cap screw	2
10	HW-306	3/8 16T x nyloc nut	2

ITEM NO.	PART NUMBER	DESCRIPTION	QTY.
1	C3K-409.2	Cart Base	1
2	SP-283	6" x 2" phenolic wheel	2
3	SP-001.2	Pull Pop Pin	1
4	HW-356	1/2" 13T x 3.5"L G5 Hex Bolt	2
5	HW-166	1/2" flat washer	4
6	HW-168	1/2" 13T Nyloc nut	2

C3K-604 Assembled Cart Base



C3K-605 Adapter Plate+Adapters



IToolCo
(865)670-3713

TITLE:
Cordless Milwaukee Motor 3K Puller

NAME D. Jordan	DATE ??
SIZE A	DWG. NO. CM3K
REV	

SCALE: 1:20 WEIGHT: SHEET 7 OF 8

ITEM NO.	PART NUMBER	DESCRIPTION	QTY.
1	C3K-605	Adapter Plate and Adapters	1
2	C6K-408	Additional Extension	1

ITEM NO.	PART NUMBER	DESCRIPTION	QTY.
1	C3K-410	Adapter plate	1
2	CK-20	2" Conduit Adapter	1
3	CK-25	2.5" Conduit Adapter	1
4	CK-30	3" Conduit Adapter	1
5	CK-35	3.5" Conduit Adapter	1
6	CK-40	4" Conduit Adapter	1
7	SP-181	3/8 Pin w/ retainer	1
8	SP-189	18" Orange bungee	1
9	HW-136	2.5" - 3/8 x 1 1/2 G5 cap screw	2
10	HW-306	3/8 1 1/2 x nyloc nut	2

(865)670-3713
IToolCo
 TITLE: Accessory Pack for 3K Pullers
 NAME: D. Jordan DATE: ??
 SIZE: DWG. NO. REV: **A**
 SCALE: 1:20 WEIGHT: SHEET 8 OF 8

SET UP AND OPERATION

Step 1. Inspect Puller for damage.
Figure 1.



Figure 1

Step 2. Install adapter plate securing in place with retainer pins. Figures 2-6.



Figure 2

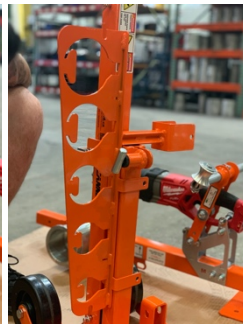


Figure 3



Figure 4



Figure 5



Figure 6

Step 3. Install the adapters securing in place with 18" bungee cord.

Note: 5" and 6" adapters are also available separately. Figures 7-13.

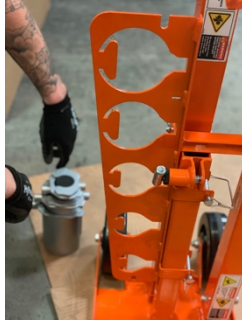


Figure 7



Figure 8



Figure 9



Figure 10

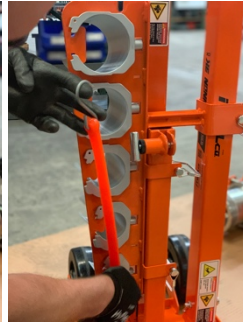


Figure 11

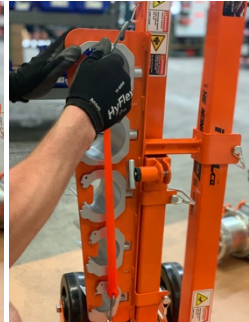


Figure 12



Figure 13

Step 4. Install extension securing in place with retainer pins. Figures 14-17.



Figure 14

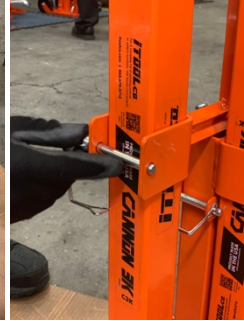


Figure 15



Figure 16



Figure 17

Step 5. Install main roller arm to puller. Figures 18-24.

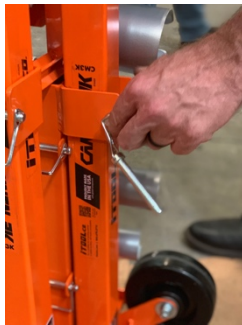


Figure 18

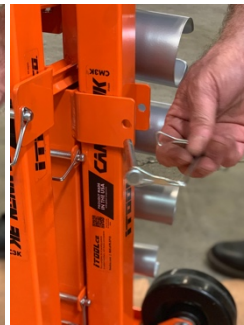


Figure 19



Figure 20

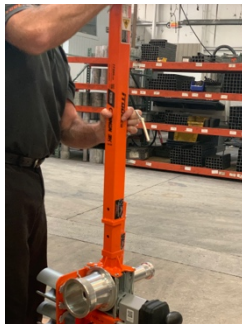


Figure 21



Figure 22

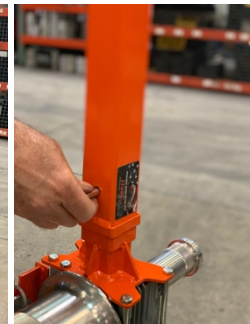


Figure 23

Step 6. Adjust the main roller and front roller pins for proper alignment (see Fig. 33). All pins must be inserted in place prior to pulling. Figures 25-33.

Seat puller in the conduit. Adapter should be level or flat matching the conduit. Figure 33.



Figure 25



Figure 26



Figure 27



Figure 28



Figure 29

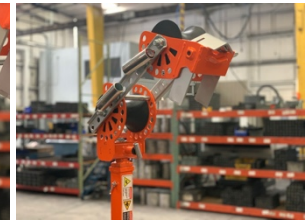


Figure 30

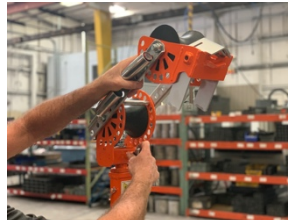


Figure 31

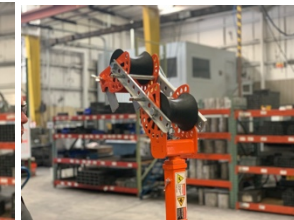


Figure 32



Figure 33

Step 7. Extend the puller as needed for extra wire. Figure 34.



Figure 34

Step 8. Insert fully charged battery. Figures 35-36.



Figure 35



Figure 36

Step 9. When ready begin, thread rope tale over the rope engagement roller and pull up on in a steady continuous motion to start the pull.

To stop the pull, simply slack off the rope. This will stop the pull. Figure 37.



Figure 37

CAUTION: During the pull, rope must always come in contact with both front and main roller. Never bypass a roller. Figures 38-39.



Figure 38



Figure 39

Step 10. Press forward/
reverse button to center
position to put in neutral.
Figure 40.



Figure 40



LIMITED WARRANTY: ITOOLCO CORDLESS CANNON 3K

iTOOLco warrants all new Cordless Cannon 3K pullers covered by this agreement, when properly used, to be free from defects in material and workmanship under normal use and service for which it is intended for a period of one year from date of delivery by the dealer. Date of delivery shall be the date product is placed in possession of the user. NORMAL WEAR FROM USE IS NOT PART OF THIS WARRANTY. This limited warranty is extended to the original user only and is not transferrable to, nor enforceable by any other person.

iTOOLco will replace free of charge any part(s) of the product found to be defective when such part(s) is returned to iTOOLco at the address shown below, freight prepaid. If the part(s) is found to be defective, iTOOLco will refund freight charges paid by you in returning the defective part(s) and prepay replacement part(s) freight charges. iTOOLco will not be responsible for more than replacement of any defective part(s) and standard freight charges (parcel post or UPS ground rate) of any part(s) found to be defective.

THIS IS THE EXCLUSIVE REMEDY. ITOOLCO SHALL NOT BE RESPONSIBLE OR LIABLE FOR ANY INCIDENTAL OR CONSEQUENTIAL DAMAGES RESULTING FROM ANY DEFECTS COVERED BY THIS WARRANTY OR ANY IMPLIED WARRANTY APPLICABLE TO THE PRODUCT INCLUDING, BUT NOT LIMITED TO, PROPERTY DAMAGE, LOSS OF USE OF PRODUCT, LOSS OF TIME, LOSS OF PROFITS, INCONVENIENCE, COMMERCIAL LOSS, LABOR COSTS, SERVICE TRIPS, AND MILEAGE.

Some states do not allow limitation on how long an implied warranty lasts, so the above limitation may not apply to you.

Dealer/Distributor Warranty Claim Procedure

1. All warranty claims must be pre-approved by iTOOLco Warranty Department PRIOR to starting any warranty work. Warranty work performed without prior approval will not be considered.
2. All claims must be handled through dealer/distributor.
3. Written approval must be received from iTOOLco before return of merchandise. A Return Authorization is to be returned with the merchandise which is sent back.
4. All parts must be returned to iTOOLco at the address shown below, freight prepaid.
5. The serial number of the product and the date of delivery must accompany the part(s) being returned.
6. If the part(s) is found to have failed because of a defect in material or workmanship, replacement will be made on a no-charge basis, and the part(s) returned, freight prepaid. Standard freight charges (parcel post or UPS ground rate) incurred in returning the part(s) will be refunded.
7. For reasons of expediency, replacement and/or repair part(s) may be shipped as soon as possible and billed to the dealer/distributor. When part(s) is returned, if it is covered under warrant, credit will be issued for the part(s) and freight charges.
8. All parts found to be defective shall be retained by and shall become the property of iTOOLco. This warranty gives you specific legal rights, and you may also have other rights which vary from state to state.

Corporate Address: iTOOLco
100 Meco Lane
Oak Ridge, TN 37830

