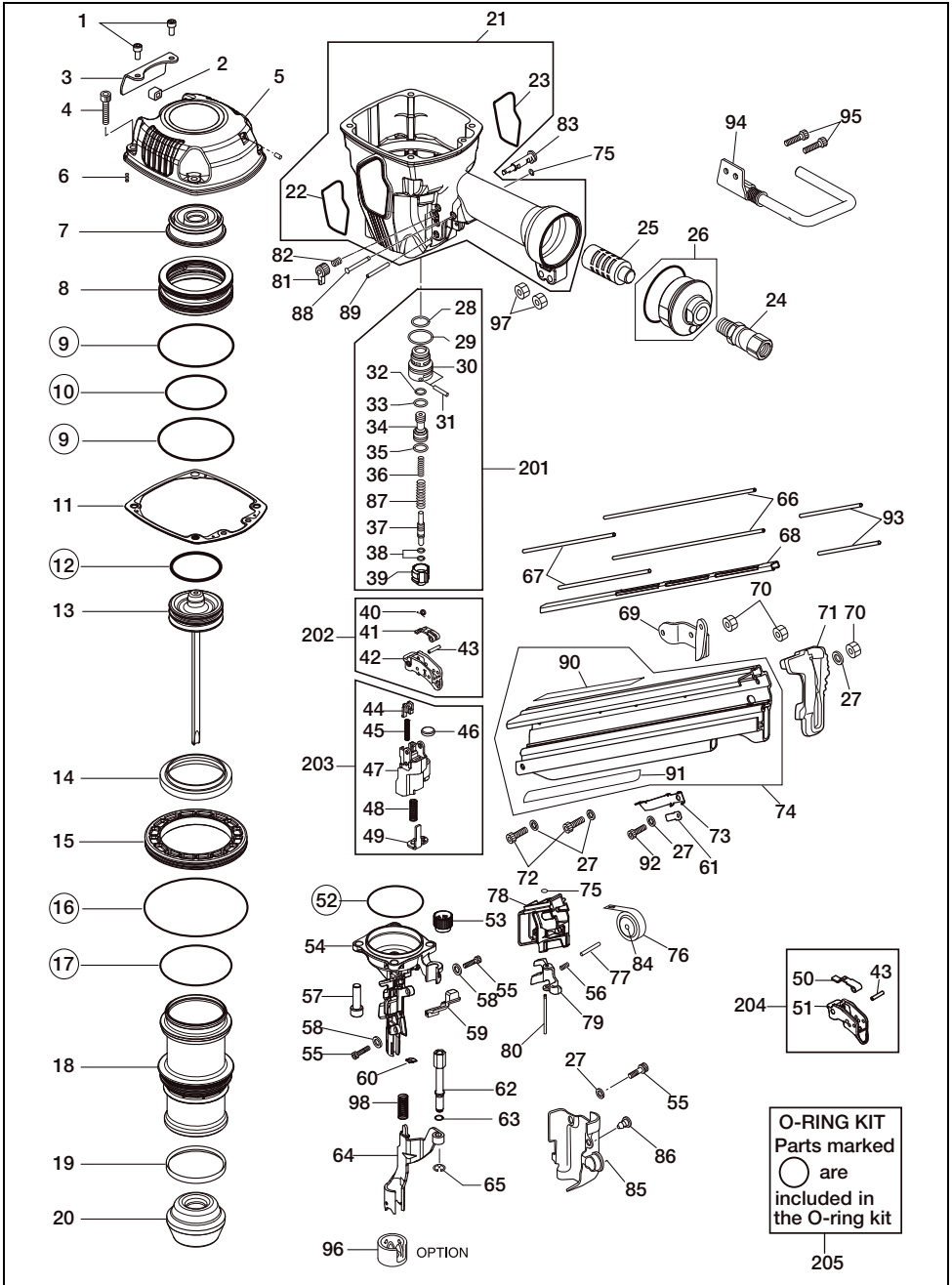


SN890CH3/34

EXPLODED VIEW
AND SPARE PARTS LIST

SCHEMA ECLATE ET LISTE DES
PIECES DE RECHANGE

DESPIECE DE LA MAQUINA Y LISTA
DE RECAMBIOS



Part NO	Part Code	Description
1	KN12666	SCREW 5X12
2	KN12678	EXHAUST GUIDE
3	KN12194	EXHAUST COVER
4	KN12669	SCREW 6X28
5	KN70168	CYLINDER CAP UNIT
6	KK24182	COMPRESSION SPRING 2653
7	CN38169	PISTON STOP
8	KN12656	HEAD VALVE PISTON
9	KN12650	O-RING AS568-150
10	KN12645	O-RING AS568-142
11	KN70142	CYLINDER CAP SEAL UNIT
12	KN12613	O-RING 4.5X48.8
13	KN81092	MAIN PISTON UNIT
14	KN12628	CYLINDER SEAL
15	KN12190	CYLINDER RING
16	KN12649	O-RING 1AG100
17	KN12648	O-RING 1AG70
18	KN12634	CYLINDER
19	KN12614	CHECK PAWL
20	KN12193	BUMPER
21	KN81069	FRAME
22	KN12205	NAME LABEL A
23	KN12206	NAME LABEL B
24	TT05426	AIR PLUG FMP3B
25	CN35685	END CAP FILTER SA-10
26	KN81039	END CAP ASSY
27	EE31121	WASHER 1-5 (BLACK)
28	KN12643	O-RING 1AP12
29	KN12644	O-RING 1AP20
30	CN33909	TRIGGER VALVE HOUSING
31	KN12660	STRAIGHT PIN 2660
32	KN12642	O-RING 1AP6
33	HH11209	O-RING 1BP7 N10028
34	CN31589	PILOT VALVE
35	KN12641	O-RING 1AP9
36	KN12654	COMPRESSION SPRING 2654
37	KN12658	TRIGGER VALVE STEM

38	KN12647	O-RING 1B 1.4X2.5
39	CN33910	TRIGGER VALVE CAP
40	KK33404	SPRING 3404
41	KN12729	CONTACT LEVER DS
42	CN35648	TRIGGER
43	FF22402	SPRING PIN 3X16 (LIGHT LOAD)
44	KN12734	TRIGGER PUSHER
45	KK23129	COMPRESSION SPRING 3129
46	KN12618	EXHAUST SEAL
47	KN12730	ARM GUIDE
48	KK23973	COMP SPIRNG 3973
49	KN12731	CONTACT ARM A
50	KN12728	CONTACT LEVER CT
51	CN35714	TRIGGER
52	KN12651	O-RING AS568-144
53	KN12200	ADJUST DIAL
54	KN12727	NOSE
55	KN12668	SCREW 5X10
56	KN12720	COMPRESSION SPRING 2720
57	KN12670	SCREW 8X28
58	KN12619	PLANE WASHER 5.1X12X1.2
59	KN12717	MAGAZINE GUIDE B
60	KN12616	MAGAZINE GUIDE A
61	KN12420	NAIL STOPPER B
62	KN12575	CONTACT BOLT
63	KN12652	O-RING 1A 1.5X5
64	KN70120	CONTACT ARM B UNIT
65	KN12672	E-RETAINING RING 5
66	KN12624	NAIL GUIDE B
67	KN12722	NAIL GUIDE A
68	KN12716	NAIL COVER
69	KN12574	TAIL HANGER
70	CC49411	SPECIAL NUT M5(REPLACES TA15554)
71	KN12715	TAIL COVER
72	KN12667	SCREW 5X14
73	KN12419	NAIL STOPPER
74	KN70185	MAGAZINE ASSY
75	EE39609	RUBBER WASHER 1.8X6X2

76	KN12719	SPIRAL SPRING 2719
77	KN12661	PARALLEL PIN 2661
78	KN12714	PUSHER HOLDER
79	KN12712	PUSHER
80	KN12662	STEP PIN 2662
81	KN12622	TRIGGER LOCK LEVER
82	KK23507	SPRING 3507
83	KN12621	TRIGGER LOCK DIAL
84	KN12723	SPRING COLLAR
85	KN12573	ARM COVER
86	CN31083	HOOK, DUST COVER
87	KN12655	COMPRESSION SPRING 2655
88	FF41870	STEP PIN 1870
89	FF21235	SPRING PIN 3X30
90	KN12738	WARNING LABEL
91	KN12739	MODEL NAME LABEL
92	KN12667	SCREW 5X14
93	KN12676	NAIL GUIDE C
94	KN70182	HOOK ASSY
95	BB40470	SCREW 5X32
96	KN11237	CONTACT TIP
97	CN38310	HEXAGON NUT WITH FLANGE M5
98	KK23964	COMP. SPRING 3964
201	KN81017	TRIGGER VALVE KIT
202	KN70180	DS TRIGGER ASSY
203	KN70187	ARM GUIDE KIT
204	KN70181	CT TRIGGER ASSY
205	KN81074	O-RING KIT