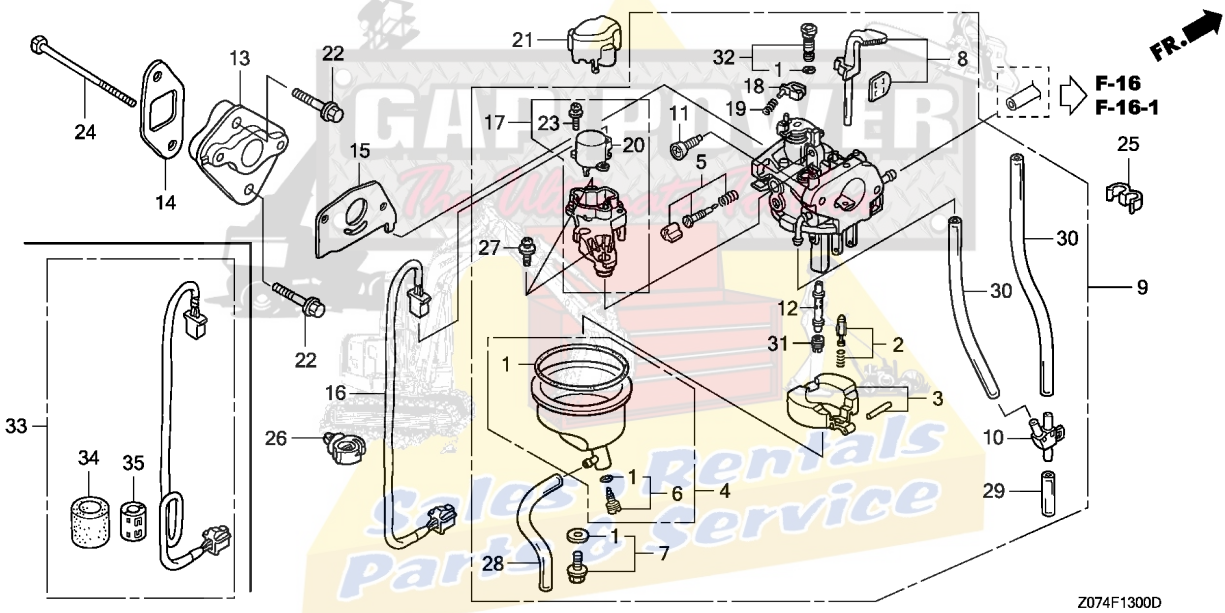
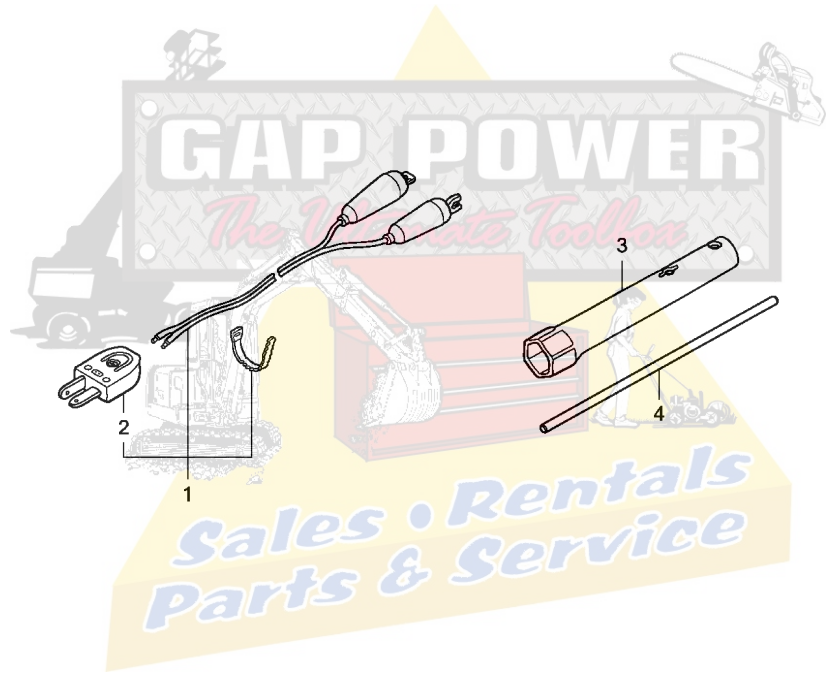
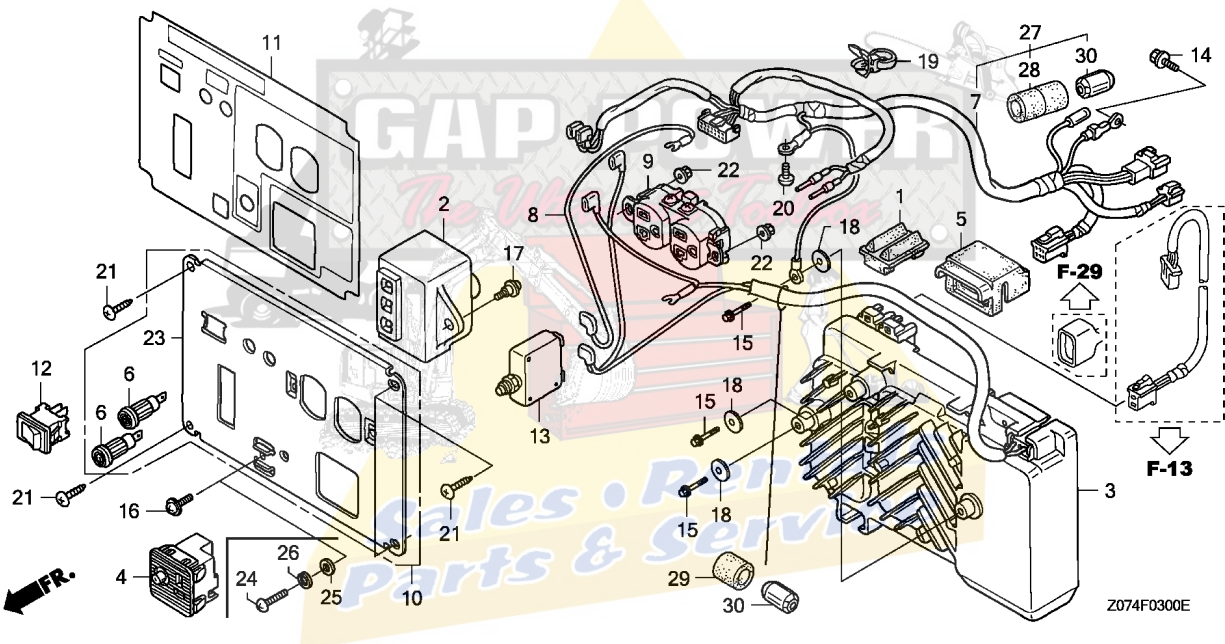


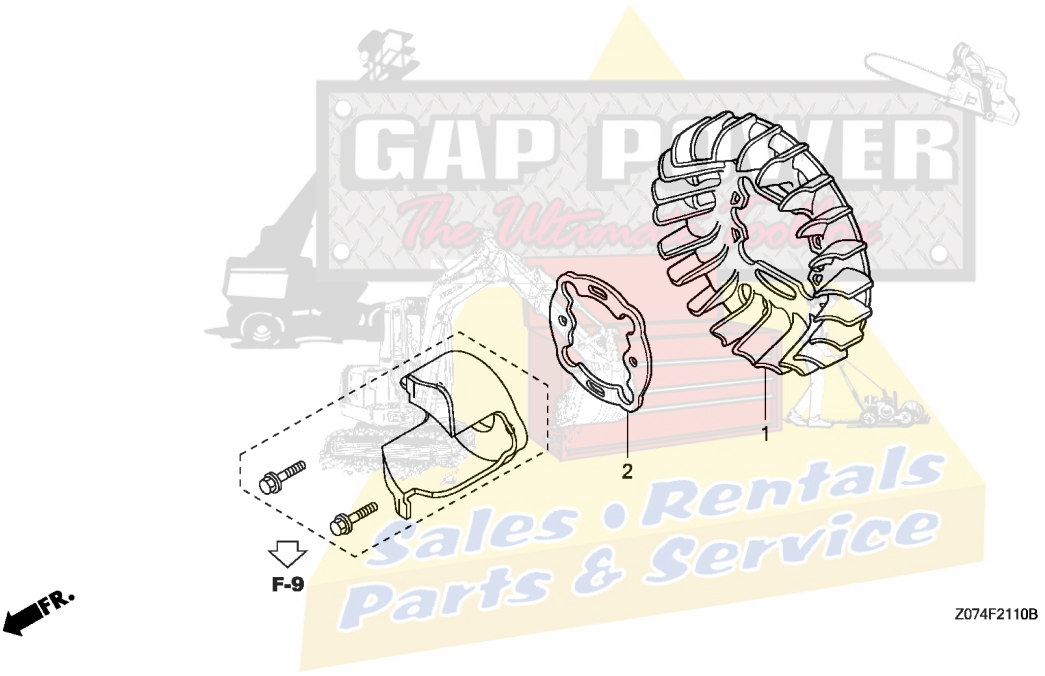
Z074-E1000 B





Z074F3200A



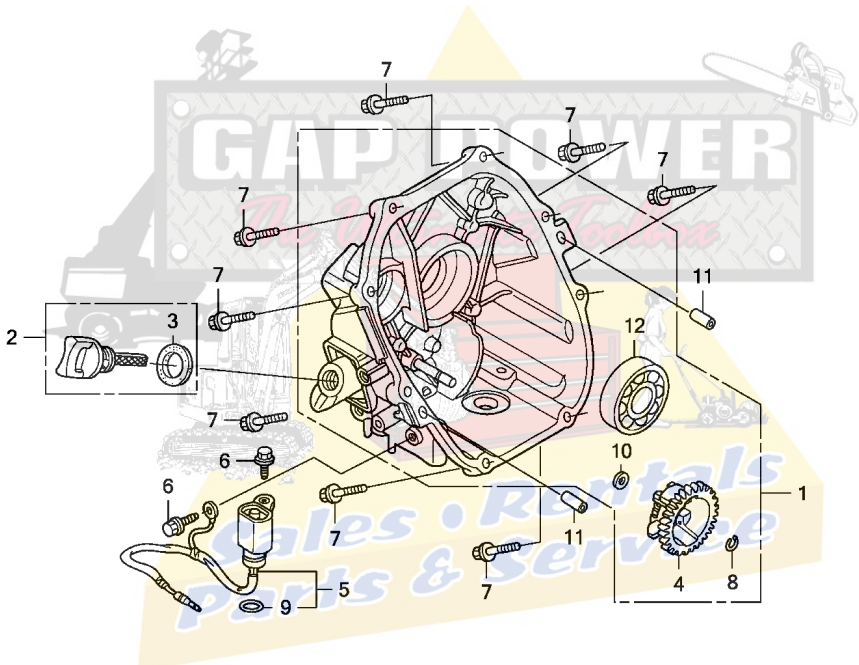


FR.

F-9

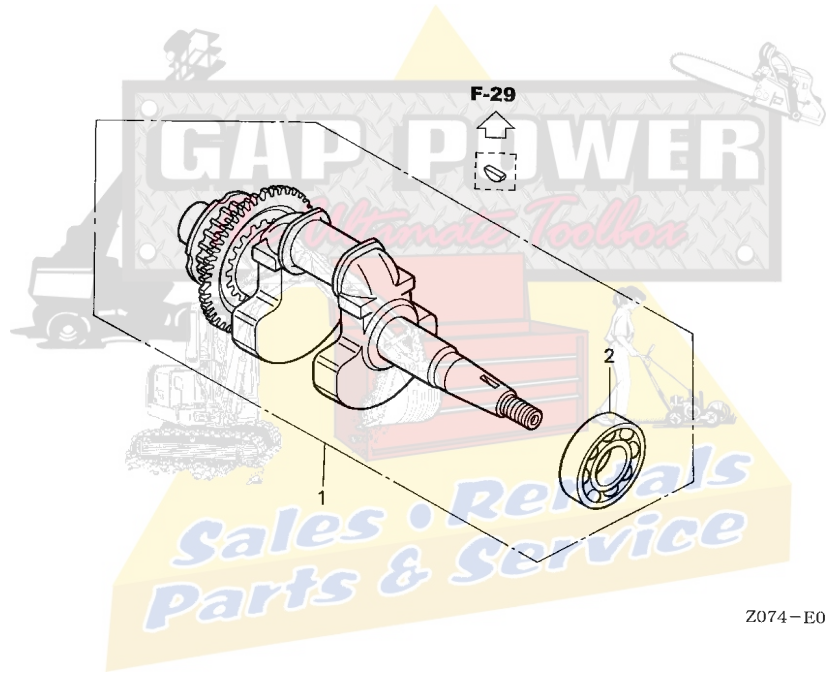
2

Z074F2110B



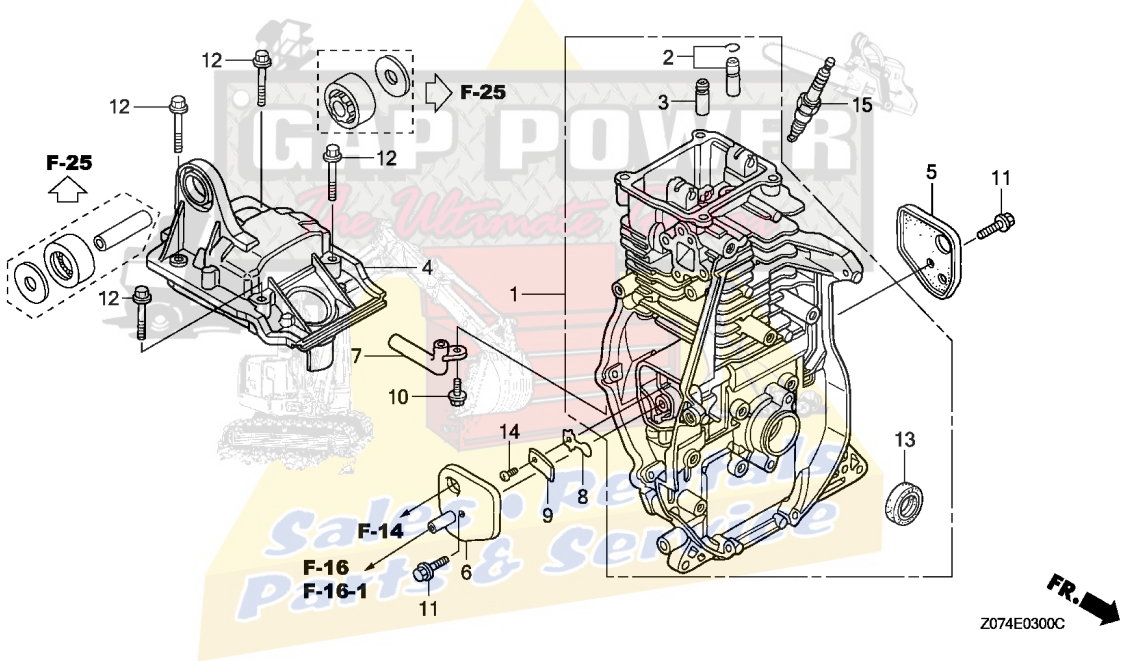
FR. 

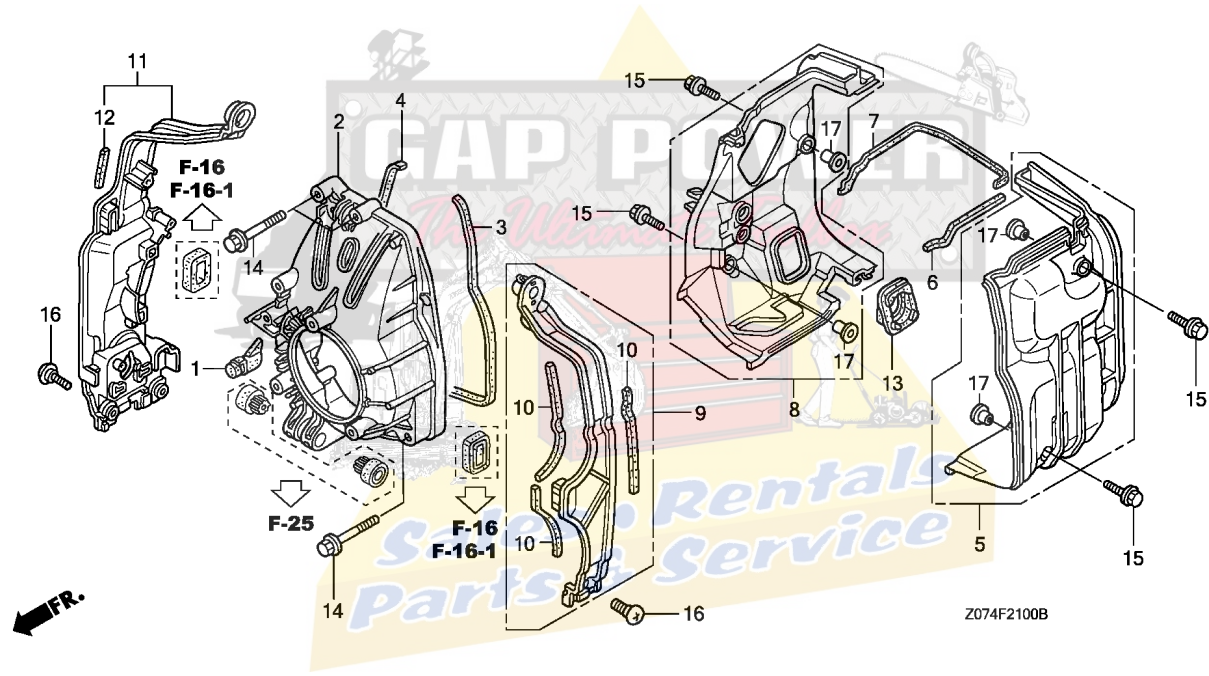
Z074E0600B

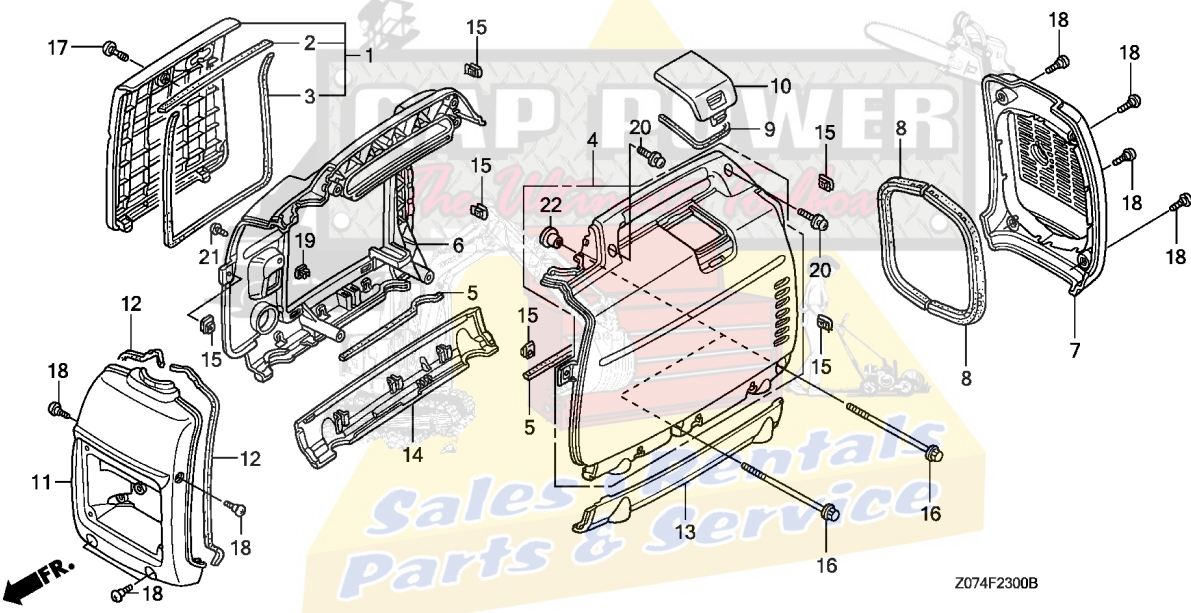


Z074-E0700 A

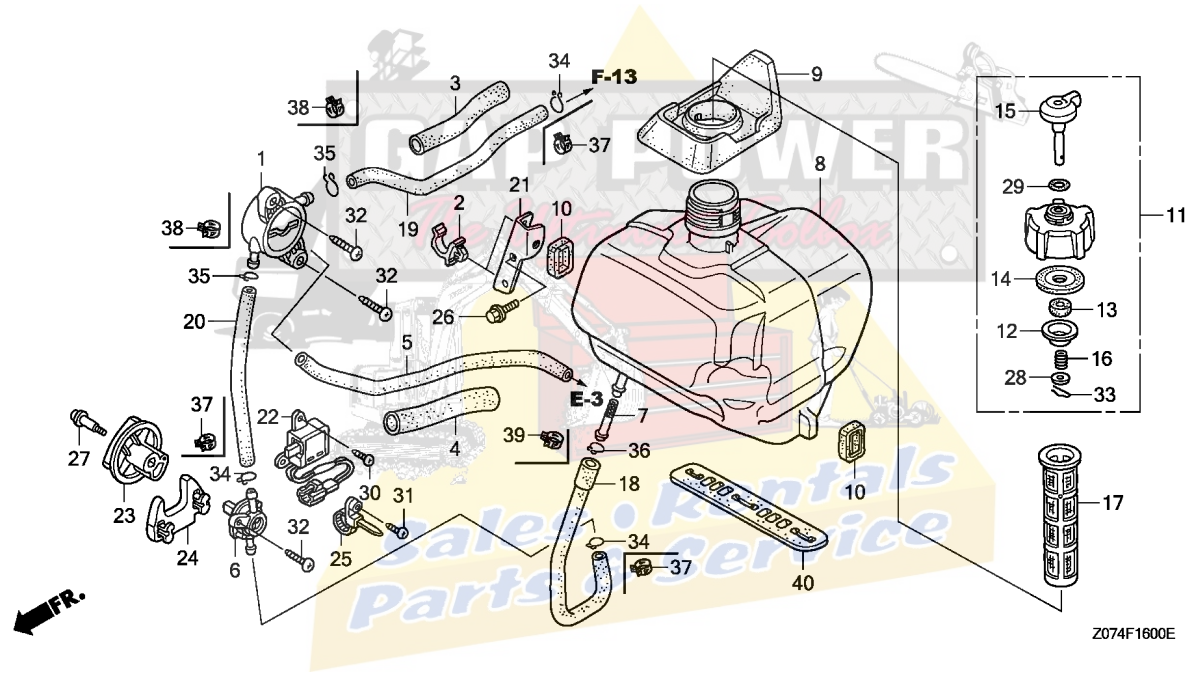


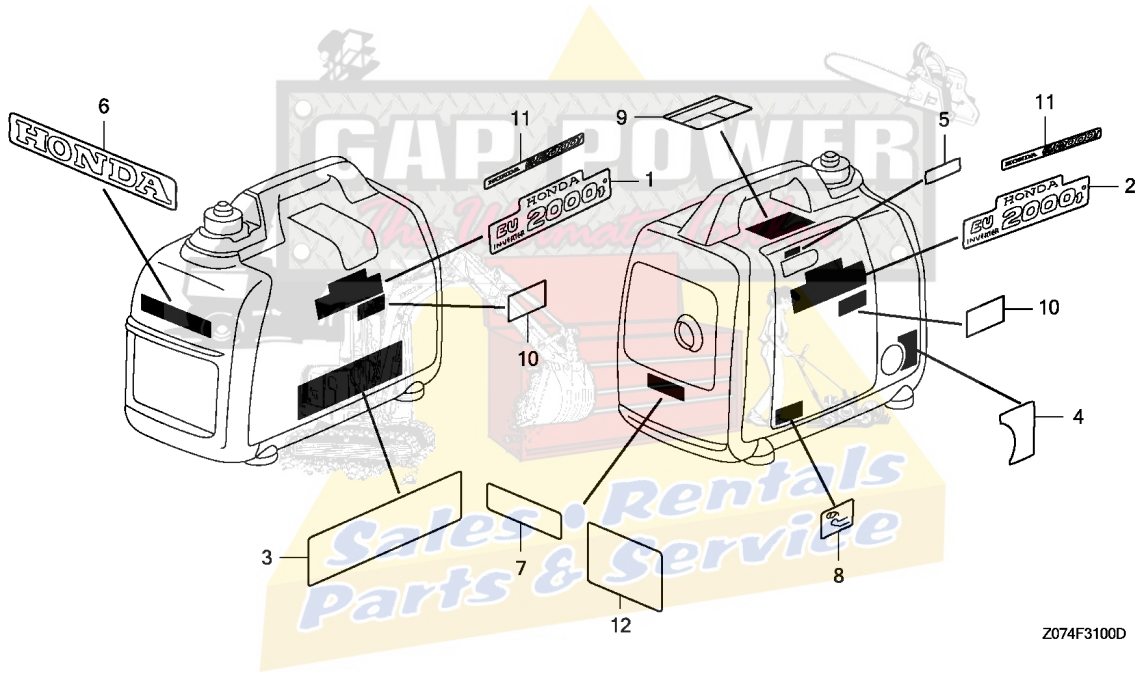




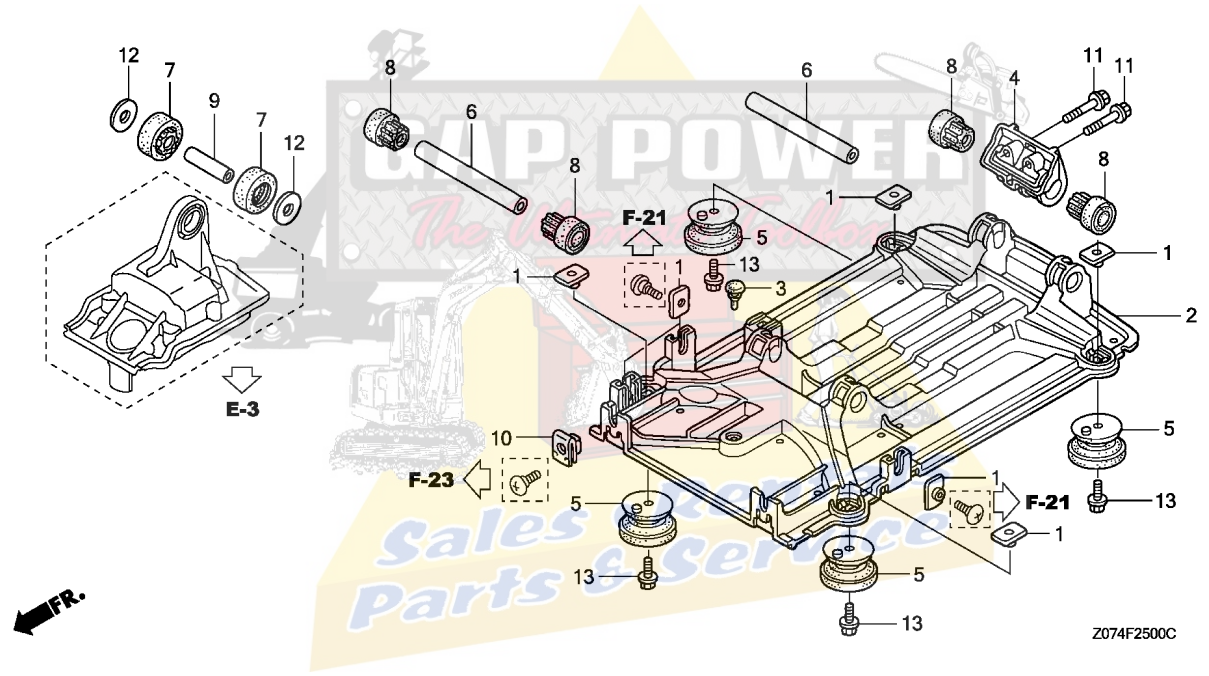


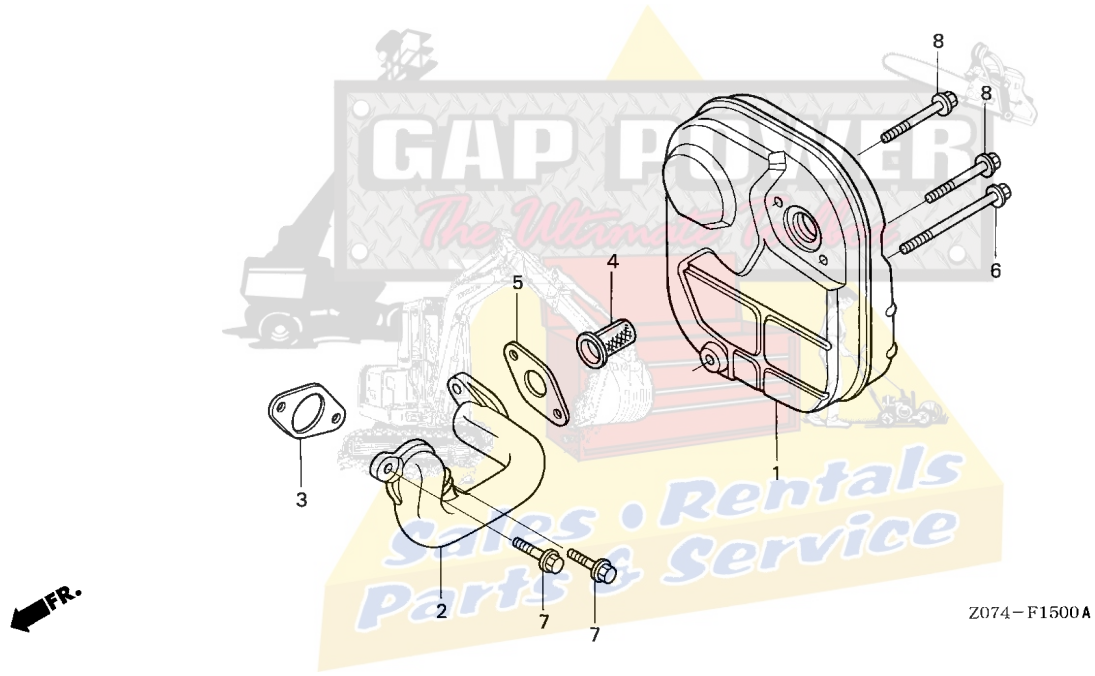
Z074F2300B



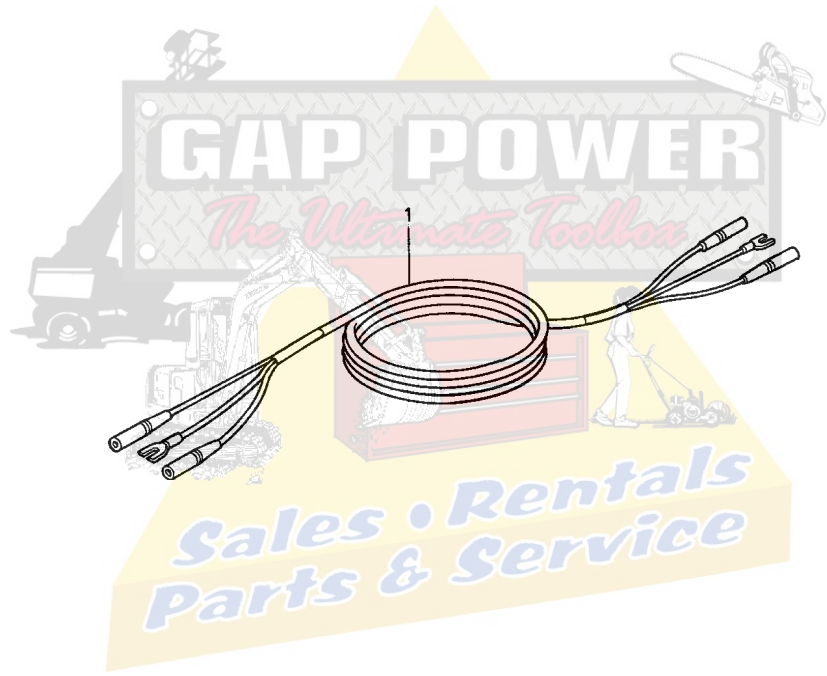


Z074F3100D









Z074-Y0100



