



Click Here To View
Item at

www.GapPower.com

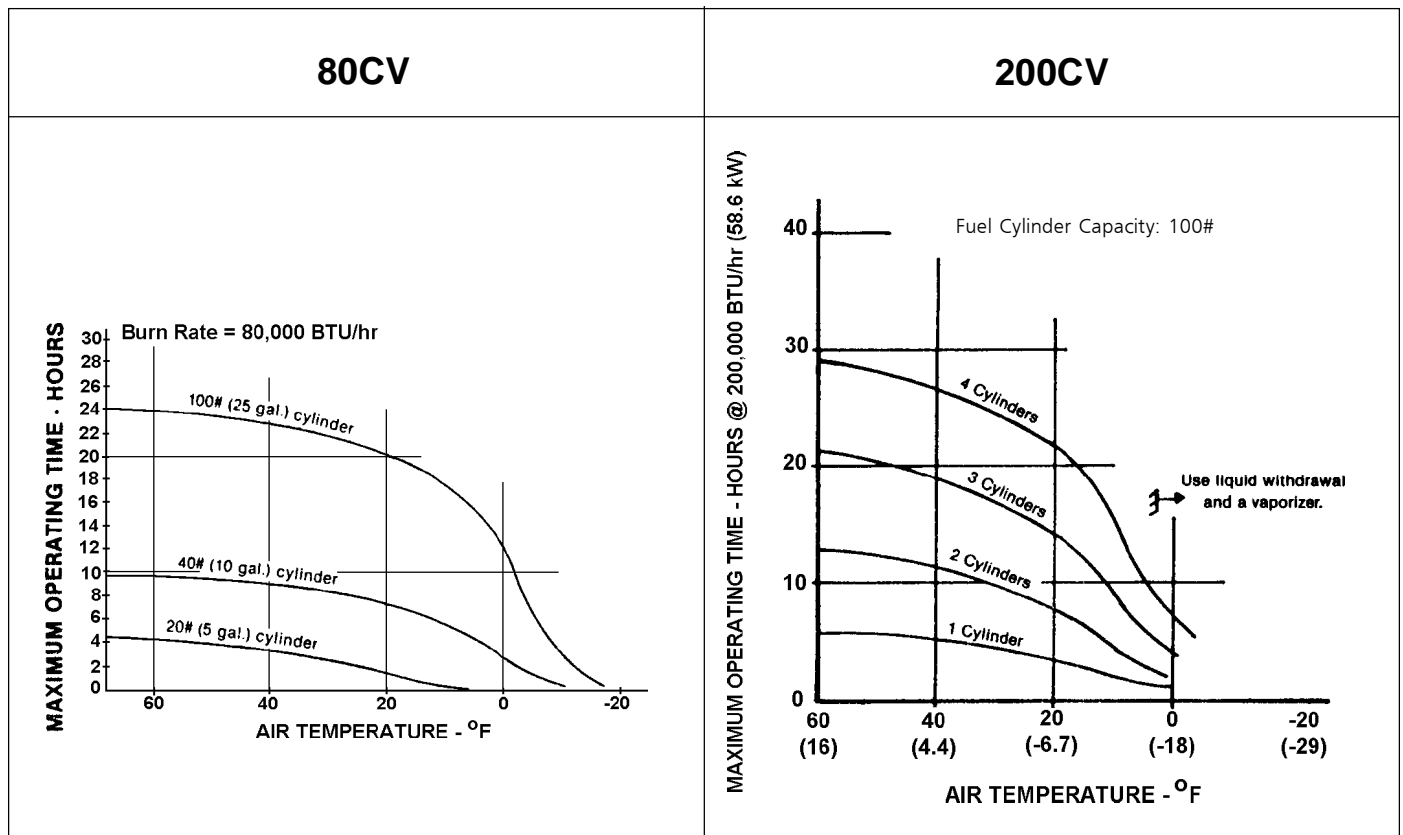
*Sales • Rentals
Parts & Service*

SIZE AND CAPACITY OF PROPANE CYLINDERS REQUIRED

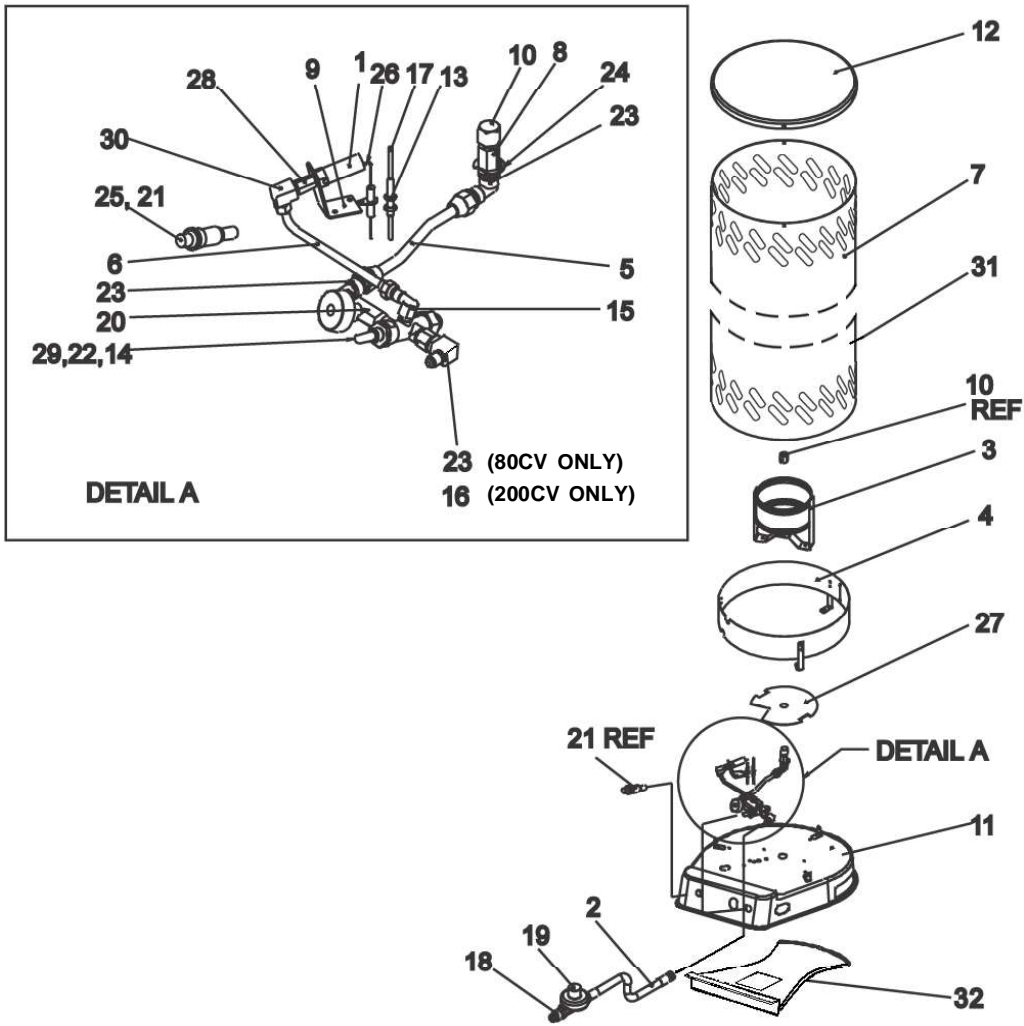
The charts below show the approximate size of the cylinder required for these heaters. To use the chart:

1. Select the lowest air temperature expected (at the bottom of the chart).
2. Move straight up to time of operation desired (left side of chart).
3. Read the cylinder size required.

All heaters should have:
 full cylinders
 good air circulation
 no frost on cylinders



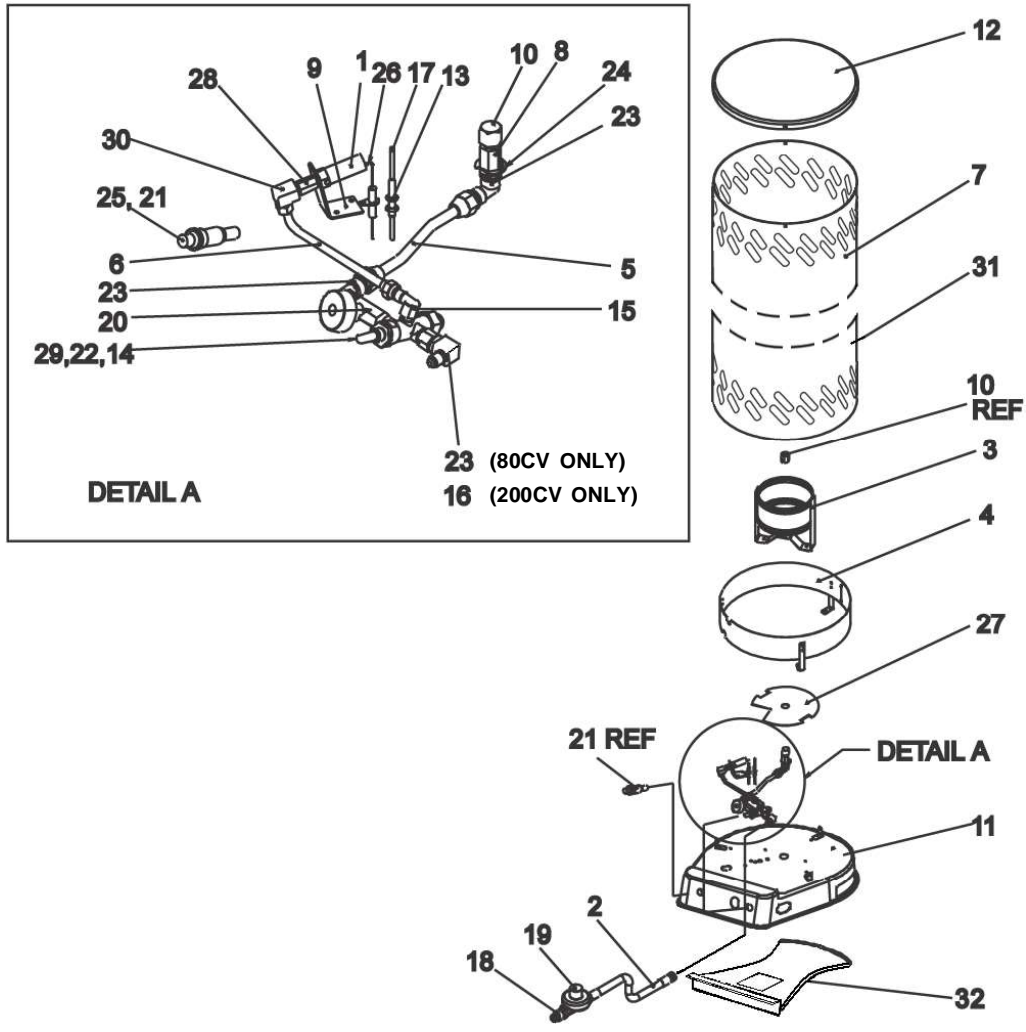
Convection Construction Heater • Model 80CV



REF. #	ITEM #	Description	Qty	REF. #	ITEM #	Description	Qty
1	28634	Pilot LP Ass'y	1	19	26255	Regulator	1
2	26152	Hose Ass'y	1	20	28654	Valve, Ball	1
3	28635	Burner Ring	1	21	20735	Piezo Ignitor	1
4	28636	Ring Shield	1	22	26503	Nut Hex 1/2-28 TE Valve	1
5	28637	Fuel Tube Ass'y	1	23	27172	Ftg., Elbow Female 1/4 FPTx 3/8 FLR3	1
6	28638	Pilot Tube Ass'y	1	24	28162	External Retaining Ring	1
7	22239	Upper Shell	1	25	27161	Piezo Nut	1
8	28639	Orifice Adapter	1	26	27652	Electrode w/7" wire	1
9	28640	Bracket, Pilot Mounting	1	27	24293	Heat Shield	1
10	28641	Orifice, LP	1	28	28644	Pilot Orifice	1
11	28642	Base	1	29	26689	Washer, Flat 1/16 SAE	1
12	24223	Cap	1	30	28187	Ftg., Elbow 1/8 FPT x 1/4 CPSN	1
13	26045	Clip, TC	1	31	22237	Lower Shell	1
14	26104	TE Valve (Safety Valve)	1	32	28165	Cover, Bottom	1
15	26137	Ftg., Elbow Female 1/4 FLRx1/8 FPT	1	*	28760	Label, Model	1
16	26138	Ftg., Elbow Female 1/4 FPTx1/4 FLR	1	*	28758	Label, Safety Precautions	1
17	28643	Thermocouple	1	*	28759	Label, Safety Precautions	1
18	26433	POL Excess Flow	1	*	28757	Label, Installation	1
*	26568	Fitting Adapter 1/4 FPTx1/4 MPT	1	*	28502	Label, Warning	1
*	28018	Fitting Adapter 1/8 FPT x 1/4 MPT	1	*	28132	Label, BTU	1
*	70486	Manual, Operating Instructions	1	*	28206	Hang Tag	1
				*	28651	Ball Valve Knob	1
				*	28655	Ball Valve Knob Insert	1

* Item not shown

Convection Construction Heater • Model 200CV



REF. #	ITEM #	Description	Qty	REF. #	ITEM #	Description	Qty
1	28645	Pilot LP Assembly	1	20	28654	Valve, Ball	1
2	21591	Hose Ass'y, LP	1	21	20735	Piezo Ignitor	1
3	28635	Burner Ring Assembly	1	22	26503	Nut, Hex 1/2-28 TE Valve	1
4	28636	Ring Shield	1	23	27172	Ftg., Elbow Female 1/4 FPTx3/8 FLR 2	1
5	28637	Fuel Tube Assembly	1	24	28162	External Retaining Ring	1
6	28638	Pilot Tube Assembly	1	25	27161	Piezo Nut	1
7	22240	Upper Shell	1	26	27652	Electrode w/7" Wire	1
8	28639	Orifice Adapter	1	27	24293	Heat Shield	1
9	28640	Bracket, Pilot Mounting	1	28	28647	Pilot Orifice	1
10	28646	Orifice, LP	1	29	26689	Washer, Flat 9/16 SAE	1
11	28642	Base	1	30	28187	Fitting, Elbow 1/8 FPTx1/4 CPSN	1
12	24223	Cap	1	31	22238	Lower Shell	1
13	26045	Clip, TC (Safety Valve)	1	32	28165	Cover, Bottom	1
14	26104	TE Valve (Safety Valve)	1	*	70486	Manual, Operating Instructions	1
15	26137	Ftg., Elbor Female 1/4 FLRx1/8 FPT	1	*	28758	Label, Safety Precautions	1
16	26138	Ftg., Elbow Female 1/4 FPTx1/4 FLR 1	1	*	28759	Label, Safety Precautions	1
17	28643	Thermocouple	1	*	28757	Label, Installation	1
18	26252	POL Excell Flow	1	*	28756	Label, Model	1
19	26256	Regulator	1	*	28502	Label, Warning	1
				*	28502	Label, BTU	1
				*	28204	Hang Tag	1
				*	28651	Ball Valve knob	1
				*	28655	Ball Valve Knob Insert	1

*Items not shown on exploded view