

**IMPORTANT:**  
**Read Before Using**

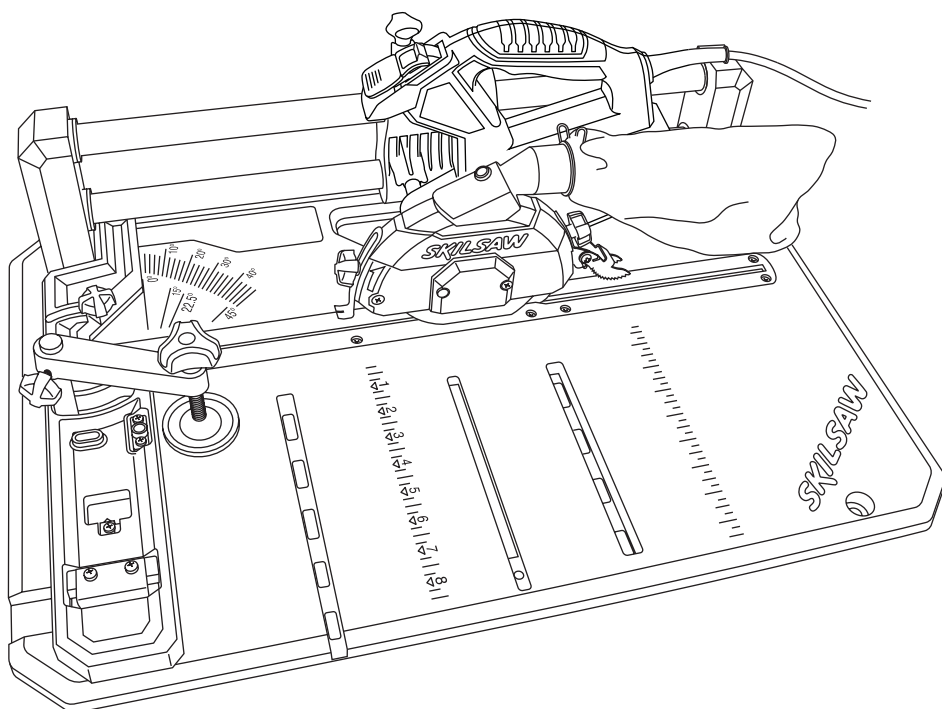
**IMPORTANT :**  
**Lire avant usage**

**IMPORTANTE:**  
**Leer antes de usar**



**Operating/Safety Instructions**  
**Consignes d'utilisation/de sécurité**  
**Instrucciones de funcionamiento y seguridad**

**3601**



**Call Toll Free for  
Consumer Information  
& Service Locations**

**Pour obtenir des informations et  
les adresses de nos centres de  
service après-vente,  
appelez ce numéro gratuit**

**Llame gratis para  
obtener información  
para el consumidor y  
ubicaciones de servicio**

**1-877-SKIL999 (1-877-754-5999) [www.skil.com](http://www.skil.com)**

**For English Version  
See page 2**

**Version française  
Voir page 22**

**Versión en español  
Ver la página 42**

# Safety



## WARNING

“READ ALL INSTRUCTIONS” — Failure to follow the SAFETY RULES identified by BULLET (•) symbol listed BELOW and other safety precautions, may result in serious personal injury.

## General Safety Rules for Bench Top Tools

### Work Area

- **Keep work area clean and well lit.** Cluttered benches and dark areas invite accidents.
- **Do not operate power tools in explosive atmospheres, such as in the presence of flammable liquids, gases or dust.** Power tools create sparks which may ignite the dust or fumes.
- **Keep bystanders, children and visitors away while operating a power tool.** Distractions can cause you to lose control.
- **Store idle tools out of reach of children and other untrained persons.** Tools are dangerous in the hands of untrained users.
- **Do not leave tool running unattended, turn power off.** Do not leave tool until it comes to a complete stop.
- **MAKE WORKSHOP CHILDPROOF** with padlock, master switches, or by removing starter keys.

### Electrical Safety

- **Before plugging in the tool, be certain the outlet voltage supplied is compatible with the voltage marked on the nameplate within 10%.** An outlet voltage incompatible with that specified on the nameplate can result in serious hazards and damage to the tool.
- **Double insulated tools are equipped with a polarized plug (one blade is wider than the other). This plug will fit in a polarized outlet only one way. If the plug does not fit fully in the outlet, reverse the plug. If it still does not fit, contact a qualified electrician to install a polarized outlet. Do not change the plug in any way.** Double insulation eliminates the need for the three wire grounded power cord and grounded power supply.
- **Avoid body contact with grounded surfaces such as pipes, radiators, ranges and refrigerators.** There is an increased risk of electric shock if your body is grounded.
- **Do not expose power tools to rain or wet conditions.** Water entering a power tool will increase the risk of electric shock.

- **Do not abuse the cord. Never use the cord to carry the tools or pull the plug from an outlet. Keep cord away from heat, oil, sharp edges or moving parts. Replace damaged cords immediately.** Damaged cords increase the risk of electric shock.
- **When operating a power tool outside, use an outdoor extension cord marked “W-A” or “W”.** These cords are rated for outdoor use and reduce the risk of electric shock.

### Personal Safety

- **Stay alert, watch what you are doing and use common sense when operating a power tool.** A moment of inattention or use of drugs, alcohol or medication while operating power tools can be dangerous.
- **Dress properly. Do not wear loose clothing or jewelry. Contain long hair. Keep your hair, clothing and gloves away from moving parts. Loose clothes, jewelry or long hair can be caught in moving parts.** Roll long sleeves above elbows. Rubber gloves and non-skid footwear are recommended when working outdoors.
- **Avoid accidental starting. Be sure switch is “OFF” before plugging in.** Carrying tools with your finger on the switch or plugging in tools that have the switch “ON” invites accidents.
- **Remove adjusting keys or wrenches before turning the tool “ON”.** A wrench or a key that is left attached to a rotating part of the tool will be thrown.
- **Do not overreach, keep proper footing and balance at all times.** Proper footing and balance enables better control of the tool in unexpected situations.
- **Do not stand on tool or its stand.** Serious injury may occur if the tool is tipped or if the cutting tool is accidentally contacted. Do not store materials on or near the tool such that it is necessary to stand on the tool or its stand to reach them.
- **Use safety equipment. Always wear safety goggles.** Dust mask, safety shoes, hard hat or hearing protection must be used for appropriate conditions. Everyday eyeglasses only have impact resistant lenses. They are NOT safety glasses

“SAVE THESE INSTRUCTIONS”

# Safety



## WARNING

“READ ALL INSTRUCTIONS” — Failure to follow the SAFETY RULES identified by BULLET (•) symbol listed BELOW and other safety precautions, may result in serious personal injury.

### Tool Use and Care

- **Use clamps or other practical way to secure and support the workpiece to a stable platform.** Holding the work by hand or against your body is unstable. It allows for work to shift, causes binding of the tool and loss of control.
- **Do not force tool. Use the correct tool for your application.** The correct tool will do the job better and safer at the rate for which it is designed. Do not use the tool for purpose not intended - for example; do not use the flooring saw for slicing meats.
- **Do not use tool if switch does not turn it “ON” or “OFF”.** Any tool that cannot be controlled with the switch is dangerous.
- **Disconnect the plug from the power source before making any adjustments or changing accessories.** Such preventive safety measures reduce the risk of starting the tool accidentally.
- **Keep cutting tools sharp and clean.** Properly maintained tools, with sharp cutting edges, are less likely to bind and easier to control. When mounting saw blades be certain that the arrow on the blade matches the direction of the arrow marked on the tool and that the teeth are also pointing in the same direction.
- **Inspect guards before using a tool. Keep guards in place. Check moving parts for binding or any other condition that may affect the normal operation or safety features of the tool. If damaged, have tool serviced before using the tool.** Many accidents are caused by poorly maintained tools.
- **Do not alter or misuse tool.** Any alteration or modification is a misuse and may result in serious personal injury.
- **The use of any other accessories not specified in this manual may create a hazard.** Accessories that may be suitable for one type of tool, may become hazardous when used on an inappropriate tool.

### Service

- **Tool service must be performed only by qualified repair personnel.** Service or maintenance performed by unqualified personnel may result in misplacing internal wires and components which could cause serious hazard.
- **When servicing a tool, use only identical replacement parts. Follow instructions in the Maintenance section of this manual.** Use of unauthorized parts or failure to follow Maintenance Instructions may create a hazard.

### Safety Rules for Flooring Saws

- **Always disconnect the power cord from the power source before making any adjustments or attaching any accessories.** You may unintentionally start the saw, leading to serious personal injury.
- **Flooring saws are intended to cut wood or woodlike products only. Do not use this saw to cut metals, even with a special blade designed to cut these materials. Do not use this saw to cut any masonry material, even with abrasive cut-off wheels.** Cutting metals or masonry materials could cause personal injury and tool damage.
- **Do not use the saw until the table is clear of all tools, wood scraps, etc., except the workpiece.** Small debris or loose pieces of wood or other objects that contact the revolving blade can be thrown with high speed at the operator.
- **Cut only one workpiece at a time.** Multiple workpieces cannot be adequately clamped or braced and may bind on the blade or shift during cutting.
- **Be certain the flooring saw is mounted or placed on a level, firm work surface before using.** A level and firm work surface reduces the risk of the flooring saw becoming unstable.
- **This tool is not equipped with provisions for attaching an auxiliary fence.** Insure that the work piece is supported by the fence before cutting.
- **Plan your work. Provide adequate support accessories such as tables, saw horses, table extension, etc. for workpieces wider or longer than the table top.** Workpieces longer than the flooring saw table can tip if not securely supported. If the cutoff piece or workpiece tips it can lift the lower guard or be thrown by the spinning blade.
- **Do not use another person as a substitute for a table extension or as additional support.** Unstable support for the workpiece can cause the blade to bind or the workpiece to shift during the cutting operation pulling you and the helper into the spinning blade.
- **The cutoff piece must not be jammed against or pressured by any other means against the spinning saw blade.** If confined, i.e. using length stops, it could get wedged against the blade and thrown violently.
- **Let the blade reach full speed before contacting the workpiece.** This will help avoid thrown workpieces.

“SAVE THESE INSTRUCTIONS”

# Safety



## WARNING

“READ ALL INSTRUCTIONS” — Failure to follow the SAFETY RULES identified by BULLET (•) symbol listed BELOW and other safety precautions, may result in serious personal injury.

- **If the workpiece or blade becomes jammed or bogged down, turn flooring saw “OFF”. Wait for all moving parts to stop and unplug the flooring saw, then work to free the jammed material.** Continued sawing with jammed workpiece could cause loss of control or damage to flooring saw.
- **After finishing the cut, turn flooring saw “OFF” and wait for blade to stop before removing work or cutoff piece. If blade does not stop within ten (10) seconds, unplug the saw and follow the instructions in the Troubleshooting section. REACHING WITH YOUR HAND UNDER A COASTING BLADE IS DANGEROUS!**

### CROSSCUT OPERATION

- **Use clamps to support workpiece whenever possible. If supporting the workpiece by hand, you must always keep hand outside of the intended line of cutting. Do not use this saw to cut pieces that are too small to be securely clamped.**
- **Do not feed workpiece into the blade or cut “freehand” in any way. Workpiece must be stationary and clamped or braced by your hand.** Saw must be fed through the workpiece smoothly and at a rate which will not overload the saw’s motor.
- **Do not reach in back of the saw blade behind the fence with either hand to hold down or support the workpiece, remove wood scraps, or for any other reason.** The proximity of the spinning saw blade to your hand may not be obvious and you may be seriously injured.
- **Inspect your workpiece before cutting. if workpiece is bowed or warped, clamp it with the outside bowed face toward the fence. Always make certain that there is no gap between the workpiece, fence and table along the line of the cut.** Bent or warped workpieces can twist or rock and may cause binding on the spinning saw blade while cutting. Also, make sure there are no nails or foreign objects in the workpiece.
- **Always use a clamp or a fixture designed to properly support round material such as dowel rods, or tubing.** Rods have a tendency to roll while being cut, causing the blade to “bite” and pull the work with your hand into the blade.
- **When cutting irregularly shaped workpieces, plan your work so it will not slip and pinch the blade and be torn from your hand.** A piece of molding, for example, must lie flat or be held by a fixture or jig that will not let it twist, rock or slip while being cut.

### LOCATION

Use the flooring saw in a well lit area and on a level surface, clean and smooth enough to reduce the risk of trips and falls. Use it where neither the operator nor the casual observer is forced to stand in line with the blade.

### KICKBACK

Kickbacks can cause serious injury: A “KICKBACK” occurs when a part of the workpiece binds between the sawblade and the rip fence or other fixed object. Workpiece binding the blade due to misalignment, can also cause kickback. During kickback, workpiece rises from table and is thrown toward the operator. Keep your face and body to one side of the sawblade, out of line with a possible “KICKBACK”.

### KICKBACKS AND POSSIBLE INJURY CAN USUALLY BE AVOIDED BY:

- Maintaining the rip fence parallel to the sawblade.
- Keeping the sawblade sharp. Replacing or sharpening anti-kickback pawls when points become dull.
- Keeping sawblade guard, spreader and anti-kickback pawls in place and operating properly. The spreader must be in alignment with the sawblade and the pawls must stop a kickback once it has started. Check their action before ripping.
- NOT ripping workpiece that is twisted or warped or does not have a straight edge to guide along the rip fence.
- NOT releasing work until you have pushed it all the way past the sawblade.
- Using a Push Stick for ripping widths of 1-3/4" to 6" and using a piece of scrap wood to push the workpiece to complete the ripping operations when ripping width is too narrow (less than 1-3/4") to allow the use of a push stick.
- NOT confining the cut-off piece when ripping or cross-cutting.
- When ripping, apply the feed force to the section of the workpiece between the sawblade and the rip fence. Use Push Stick or scrap wood when appropriate (See item f. above).

**PROTECTION:** Eyes, hands, face, ears and body.

### TO AVOID BEING PULLED INTO THE SPINNING TOOL:

**DO NOT WEAR:** Loose Fitting Gloves  
Loose Clothing  
Necktie, Jewelry

**DO:** TIE BACK LONG HAIR  
ROLL LONG SLEEVES ABOVE ELBOWS

- If any part of your saw is missing, malfunctioning, has been damaged or broken ... such as the motor switch, or other operating control, a safety device or the power cord ... cease operating immediately until the particular part is properly repaired or replaced.

**“SAVE THESE INSTRUCTIONS”**



# Safety



## WARNING

“READ ALL INSTRUCTIONS” — Failure to follow the SAFETY RULES identified by BULLET (•) symbol listed BELOW and other safety precautions, may result in serious personal injury.

**b.** Wear safety goggles and a face shield if operation is dusty. Wear ear plugs or muffs during extended periods of operation. Small loose pieces of wood or other objects that contact the rear of the revolving blade can be thrown back at the operator at excessive speed. This can usually be avoided by keeping the guard and spreader in place for all “THRU-SAWING” operations (sawing entirely thru the work) AND by removing all loose pieces from the table with a long stick of wood IMMEDIATELY after they are cut off.

**c.** NEVER turn the saw “ON” before clearing the table of all tools, wood scraps, etc., except the workpiece and related feed or support devices for the operation planned.

**d.** NEVER place your face or body in line with the cutting tool.

- NEVER place your fingers and hands in the path of the sawblade or other cutting tool.

- NEVER reach in back of the cutting tool with either hand to hold down or support the workpiece, remove wood scraps, or for any other reason. Avoid awkward operations and hand positions where sudden slip could cause fingers or hand to move into a sawblade or other cutting tool.

- DO NOT perform any operation “FREEHAND” — always use the fence to position and guide the work for both rip cuts and crosscuts.

- NEVER hold onto or touch the “free end” of the workpiece or a “free piece” that is cut off, while power is “ON” and/or the sawblade is rotating.

- Shut “OFF” the saw and disconnect the power cord when removing the table insert, changing the cutting tool, or making adjustments.

- Provide adequate support to the rear and sides of the saw table for wider or long workpieces.

- Plastic and composition (like hardboard) materials may be cut on your saw. However, since these are usually quite hard and slippery, the anti-kickback pawls may not stop a kickback. Therefore, be especially attentive to following proper set-up and cutting procedures for ripping. Do not stand, or permit anyone else to stand, in line with a potential kickback.

**f.** If you stall or jam the sawblade in the workpiece, turn saw “OFF”, remove the workpiece from the sawblade, and check to see if the sawblade is parallel to the table slots or grooves and if the spreader is in proper alignment with the sawblade. If ripping at the time, check to see if rip fence is parallel with the sawblade. Readjust as indicated.

**g.** NEVER gang crosscut — lining up more than one workpiece in front of the blade (stacked vertically, or horizontally outward on the table) and then pushing thru sawblade. The blade could pick up one or more pieces and cause a binding or loss of control and possible injury.

**h.** DO NOT remove small pieces of cut-off material that may become trapped inside the blade guard while the saw is running. This could endanger your hands or cause a kickback.

Turn saw “OFF” and wait until blade stops.

## KNOW YOUR CUTTING TOOLS

Dull, gummy or improperly sharpened or set cutting tools can cause material to stick, jam, stall the saw, or kickback at the operator. Minimize potential injury by proper cutting tool and machine maintenance. NEVER ATTEMPT TO FREE A STALLED SAWBLADE WITHOUT FIRST TURNING THE SAW OFF.

**a.** NEVER use grinding wheels, abrasive cut-off wheels, friction wheels (metal slitting blades) wire wheels or buffing wheels.

**b.** USE ONLY RECOMMENDED ACCESSORIES.

**d.** Make sure the cutting tool rotates in the same direction as the rotation arrow on the upper guard. Also make sure the cutting tool, arbor collars and arbor nut are installed properly. Keep the cutting tool as low as possible for the operation being performed. Keep all guards in place whenever possible.

- Do not use any blade or other cutting tool marked for an operating speed less than 11,000 R.P.M. Never use a cutting tool larger in diameter than the diameter for which the saw was designed. For greatest safety and efficiency when ripping, use the maximum diameter blade for which the saw is designed, since under these conditions the spreader is nearest the blade.

**e.** Make sure the table insert is flush or slightly below the table surface on all sides except for rear side. NEVER operate the saw unless the proper insert is installed.



**WARNING** Some dust created by power sanding, sawing, grinding, drilling, and other construction activities contains chemicals known to cause cancer, birth defects or other reproductive harm. Some examples of these chemicals are:

- Lead from lead-based paints,
- Crystalline silica from bricks and cement and other masonry products, and
- Arsenic and chromium from chemically treated lumber.

Your risk from these exposures varies, depending on how often you do this type of work. To reduce your exposure to these chemicals: work in a well ventilated area, and work with approved safety equipment, such as those dust masks that are specially designed to filter out microscopic particles.

- **There are additional safety instructions for particular operations of the saw in the operating section. Read the rest of the manual for safe operation.**

**“SAVE THESE INSTRUCTIONS”**

# Safety

**⚠ WARNING** “READ ALL INSTRUCTIONS” — Failure to follow the SAFETY RULES identified by BULLET (•) symbol listed BELOW and other safety precautions, may result in serious personal injury.

- Do not allow familiarity gained from frequent use of your flooring saw to become commonplace. Always remember that a careless fraction of a second is sufficient to inflict severe injury.
- THINK SAFETY! SAFETY IS A COMBINATION OF OPERATOR’S COMMON SENSE, KNOWLEDGE OF THE SAFETY AND OPERATING INSTRUCTIONS AND ALERTNESS AT ALL TIMES WHEN THE FLOORING SAW IS BEING USED.

**⚠ WARNING** THE WARNINGS SHOWN BELOW CAN BE FOUND ON YOUR TOOL. THESE WARNINGS ARE ONLY A CONDENSED FORM OF THE MORE DETAILED SAFETY RULES AND PRECAUTIONS THAT APPEAR IN YOUR OWNER’S MANUAL. THEY SERVE AS A REMINDER OF ALL SAFETY RULES NEEDED FOR SAFE OPERATION OF THIS FLOORING SAW.

**⚠ WARNING** IF PUSH STICK CAN NOT BE USED WHEN RIPPING EXTREMELY NARROW WORKPIECE, USE A PIECE OF SCRAP WOOD TO PUSH THE WORKPIECE TO COMPLETE THE RIPPING OPERATION.

**⚠ ADVERTENCIA** SI EL PALO DE EMPUJAR NO SE PUEDE UTILIZAR CUANDO SE CORTA AL HILO UNA PIEZA DE TRABAJO SUMAMENTE ESTRECHA, UTILICE UN PEDAZO DE MADERA DE DESECHO PARA EMPUJAR LA PIEZA DE TRABAJO CON EL FIN DE COMPLETAR LA OPERACION DE CORTE AL HILO.

**⚠ AVERTISSEMENT** SI VOUS NE POUVEZ PAS UTILISER DE POUSSOIR POUR REFENDRE UN OUVRAGE EXTRÊMEMENT ÉTROIT, UTILISEZ UN MORCEAU DE BOIS POUR POISSER L'OUVRAGE AFIN DE COMPLETER L'OPERATION DE REFENTE.

**⚠ WARNING**

WHEN RIPPING:  
 -PUSH THE WORKPIECE ONLY ON THE FENCE SIDE OF THE BLADE  
 -NEVER PLACE YOUR NON-PUSHING HAND ON THE WORKPIECE BEYOND THE MID-POINT OF THE BLADE  
 -FENCE MUST BE PARALLEL TO THE BLADE  
 -USE “PUSH-STICK” OR “PUSH BLOCK” ON NARROW WORKPIECES  
 -ADJUST THE ANTI-KICKBACK PAWL TO ENSURE IT CONTACT THE TABLE.

**⚠ ADVERTENCIA**

CUANDO CORTE AL HILO:  
 - EMPUJE LA PIEZA DE TRABAJO SOLAMENTE SOBRE EL LADO DE LA HOJA CORRESPONDIENTE AL TOPE-GUÍA  
 - NO PONGA NUNCA LA MANO QUE NO ESTÉ USANDO PARA EMPUJAR SOBRE LA PIEZA DE TRABAJO MÁS ALLÁ DEL PUNTO CENTRAL DE LA HOJA  
 - EL TOPE-GUÍA DEBE ESTAR PARALELO A LA HOJA  
 - USE UN “PALO DE EMPUJAR” O UN “BLOQUE DE EMPUJAR” EN EL CASO DE PIEZAS DE TRABAJO ESTRECHAS  
 - AJUSTE EL TRINQUETE ANTIRRETROCESO PARA ASEGURARSE DE QUE HAGA CONTACTO CON LA MESA.

**⚠ AVERTISSEMENT**

EN CAS DE COUPE EN LONG :  
 - NE PUSSEZ L'OUVRAGE QUE DU CÔTÉ DE LA LAME FAISANT FACE AU GUIDE LONGITUDINAL  
 - NE PLACEZ JAMAIS VOTRE MAIN QUI NE PUISSE PAS L'OUVRAGE SUR CELUI-CI AU-DELÀ DU POINT MÉDIAN DE LA LAME  
 - LE GUIDE DOIT ÊTRE PARALLÈLE À LA LAME  
 - UTILISEZ UN BLOC DE BOIS OU UN « POUSSOIR » POUR FAIRE AVANCER LES OUVRAGES ÉTROITS  
 - AJUSTEZ LE CLIQUET DE PROTECTION CONTRE LES CHOC EN RETOUR POUR ASSURER QU'IL EST BIEN EN CONTACT AVEC LA TABLE.

**⚠ WARNING**

WHEN CROSSCUTTING:  
 -USE MITER GAUGE FOR CROSSCUTTING.  
 -HOLD OR CLAMP WORKPIECE AGAINST BASE AND FENCE.  
 -WITH THE MOTOR OFF, MAKE A DRY-RUN TO BE AWARE OF THE BLADE’S REACH.  
 -MOVE ANTI-KICKBACK PAWL ABOVE THE WORKPIECE  
 -RETURN CARRIAGE TO THE FULL REAR POSITION AFTER EACH CROSSCUT OPERATION.

**⚠ ADVERTENCIA**

CUANDO CORTE TRANSVERSALMENTE:  
 - USE EL CALIBRE DE INGLETES PARA CORTAR TRANSVERSALMENTE.  
 - FLEJE CON ABRAZADERAS O SUJETE LA PIEZA DE TRABAJO CONTRA LA BASE Y EL TOPE-GUÍA.  
 - CON EL MOTOR APAGADO, HAGA UNA PASADA EN VACÍO PARA CONOCER EL ALCANCE DE LA HOJA.  
 - MUEVA EL TRINQUETE ANTIRRETROCESO HASTA UBICARLO ENCIMA DE LA PIEZA DE TRABAJO.  
 - RETORNE EL CARRO A LA POSICIÓN COMPLETAMENTE TRASERA DESPUÉS DE CADA OPERACIÓN DE CORTE TRANSVERSAL.

**⚠ AVERTISSEMENT**

EN CAS DE COUPE TRANSVERSALE :  
 - UTILISEZ UN GUIDE D'ONGLET POUR EFFECTUER UNE COUPE TRANSVERSALE  
 - MAINTENEZ (AU BESOIN AVEC UNE BRIDE) L'OUVRAGE CONTRE LA BASE ET LE GUIDE  
 - AVEC LE MOTEUR À L'ARRÊT (OFF), FAITES TOURNER LA LAME POUR AVOIR UNE IDÉE DE SA PORTEE  
 - DÉPLACEZ LE CLIQUET DE PROTECTION CONTRE LES CHOC EN RETOUR EN DESSUS DE L'OUVRAGE  
 - REMETTEZ LE CHARIOT DANS LA POSITION LA PLUS EN ARRIÈRE POSSIBLE APRÈS CHAQUE OPERATION DE COUPE TRANSVERSALE.

**⚠ ADVERTENCIA** Para su propia seguridad: Lea y entienda el manual del usuario antes de utilizar la sierra. Use protección de los ojos, tapones de oídos y máscara antipolvo según sea necesario. Sepa cómo apagar la herramienta en una emergencia. Use siempre el protector de la hoja que se muestra en la imagen. El separador debe estar alineado con la hoja y los trinquetes antirretrocesos deben estar activados y accionados por resorte. Ajuste el dispositivo de sujeción a la altura apropiada. Sepa cómo evitar el riesgo de retroceso. No presione la pieza de trabajo contra el lado de la hoja que gira. No se sitúe delante de la hoja de sierra que gira. Mantenga el cuerpo y las manos en cuantilíneas de los lados de la sierra. No ponga nunca las manos alrededor de la hoja de sierra ni sobre ella. Desconecte la sierra de la fuente de alimentación antes de hacerle servicio de ajustes y reparaciones o cambiar la hoja. No se debe hacer ningún ajuste hasta que la herramienta haya sido detenida. No deje que las piezas cortadas se queden en cinta entre la hoja que gira y el tope-guía. No retire nunca las piezas cortadas o cortadas hasta que la hoja se haya detenido. No realice ninguna operación de serrado en peligro de incendio. Cuando haga servicio de ajustes y reparaciones de la herramienta, utilice únicamente piezas de repuesto idénticas. Para evitar las descargas eléctricas, no exponga la herramienta a la lluvia ni la utilice en lugares húmedos. Utilice una hoja de sierra con capacidad nominal de 11000/min o mayor. No utilice la sierra sin el sistema de protección de funcionamiento. Si el protector no funciona suavemente, haga que le den servicio de ajustes y reparaciones. Después de APAGAR la sierra, espere a que la hoja se detenga antes de retirar las piezas cortadas o cambiar los ajustes.

**⚠ WARNING** For Your Own Safety – Read and understand owner’s manual before operating saw. Wear eye protection, earplugs and dust mask as needed. Know how to shut off tool in an emergency. Always use the blade guard with spreader. Spreader must be aligned with blade and anti-kickback pawls must be sharp and spring loaded. Adjust hold down device to the proper height. Know how to avoid risk of “Kickback”. Do not press work-piece against side of spinning blade. Do not stand in front of spinning saw blade. Keep your body and hands to either side of blade. Never reach around or over saw blade. Disconnect saw from power source before servicing or changing blade. No adjustment should be made until the tool has been stopped. Do not allow loose cut-off pieces to be wedged between spinning blade and fence. Never remove jammed or cut off pieces until blade has stopped. Do not perform any operation “Freehand”. Securely fasten tool base to stable surface or workbench. Keep saw free of sawdust buildup to avoid fire hazard. When servicing, use only identical replacement parts. To avoid electrical shock, do not expose to rain or use in damp locations. Use saw blade rated 11000/min or greater. Do not use saw without functioning guard system. If guard doesn’t operate smoothly, have it serviced. After turning saw OFF, wait for blade to stop before removing cutoff pieces or changing settings.

“SAVE THESE INSTRUCTIONS”

# Motor Specifications and Electrical Requirements


## General Specifications

Voltage Rating .....120 V, 60 Hz  
 Amperage Rating .....7 A  
 No Load Speed .....n<sub>o</sub> 11,000/min  
 Table size .....27" x 17-3/4"

## Extension Cords

Replace damaged cords immediately. Use of damaged cords can shock, burn or electrocute.  
 Always use proper extension cord. If an extension cord is necessary, a cord with adequate size conductors should be used to prevent excessive voltage drop, loss of power or overheating. The table shows the correct size to use, depending on cord length and nameplate amperage rating of tool. If in doubt, use the next heavier gauge. Always use U.L. and CSA listed extension cords.

## Double Insulated Tools

Double Insulation  is a design concept used in electric power tools which eliminates the need for the three wire grounded power cord and grounded power supply system. It is a recognized and approved system by Underwriter's Laboratories, CSA and Federal OSHA authorities.

**IMPORTANT:** Servicing of a tool with double insulation requires care and knowledge of the system and should be performed only by a qualified service technician.

**WHEN SERVICING, USE ONLY IDENTICAL REPLACEMENT PARTS.**

**POLARIZED PLUGS.** To reduce the risk of electric shock, your tool is equipped with a polarized plug (one blade is wider than the other), this plug will fit in a polarized outlet only one way. If the plug does not fit fully in the outlet, reverse the plug. If it still does not fit, contact a qualified electrician to install the proper outlet. To reduce the risk of electric shock, do not change the plug in any way.

### RECOMMENDED SIZES OF EXTENSION CORDS 120 VOLT ALTERNATING CURRENT TOOLS

Tool's Ampere Rating	Cord Size in A.W.G.				Wire Sizes in mm <sup>2</sup>			
	Cord Length in Feet				Cord Length in Meters			
	25	50	100	150	15	30	60	120
3-6	18	16	16	14	.75	.75	1.5	2.5
6-8	18	16	14	12	.75	1.0	2.5	4.0
8-10	18	16	14	12	.75	1.0	2.5	4.0
10-12	16	16	14	12	1.0	2.5	4.0	—
12-16	14	12	—	—	—	—	—	—

**NOTE:** The smaller the gauge number, the heavier the cord.

**“SAVE THESE INSTRUCTIONS”**

## Table of Contents

General Safety Rules.....	2	Operation .....	16-20
Additional Safety Rules.....	3-6	Keeping Area Clean .....	16
Motor Specifications and Electrical Requirements....	7	Sawdust Port .....	16
Table of Contents.....	8	Saw Assembly Lock Knob .....	16
Glossary of Terms .....	9	Bump Switch.....	16
Unpacking and Checking Contents .....	10	Trigger Switch.....	16
Getting to Know Your Flooring Saw.....	11	Miter Cut .....	17
Assembly and Adjustments .....	12-15	Body and Hand Position .....	17
Rip Fence Alignment .....	12	Workpiece Support .....	17
Rip Fence Pointer Adjustment .....	12	Making a Miter Cut .....	18
Blade Removal and Installation .....	13	Special Cuts .....	18
Riving Knife Alignment .....	14	Rip Cutting.....	19-20
Mounting to Workbench .....	15	Maintaining Your Flooring Saw .....	21
Mounting to Plywood .....	15	Troubleshooting .....	21



# Glossary of Terms

**WORKPIECE**

The item on which the cutting operation is being performed. The surfaces of a workpiece are commonly referred to as faces, ends and edges.

**ANTI-KICKBACK PAWLS**

Device which, when properly maintained, is designed to stop the workpiece from being kicked back at the operator during operation.

**ARBOR**

The shaft on which a blade is mounted.

**CROSSCUT**

A cutting or shaping operation made across the width of the workpiece cutting the workpiece to length.

**FREEHAND**

Performing a cut without a fence, miter gauge, fixture, hold down or other proper device to keep the workpiece from twisting during the cut.

**GUM**

A sticky, sap-based residue from wood products. After it has hardened, it is referred to as "RESIN".

**HEEL**

Misalignment of the blade which causes the trailing or outfeed side of the blade to contact the cut surface of the workpiece. Heel can cause kickback, binding, excessive force, burning of the workpiece or splintering. In general, heel creates a poor quality cut and can be a safety hazard.

**KERF**

The amount of material removed by the blade in a through cut or slot produced by the blade in a non-through or partial cut.

**KICKBACK**

An uncontrolled grabbing and throwing of the workpiece back toward the front of the saw during a rip type operation.

**LEADING END**

The end of the workpiece which, during a rip type operation, is pushed into the cutting tool first.

**PUSH STICK**

A device used to feed the workpiece through the saw during narrow ripping-type operation and helps keep the operator's hands well away from the blade. Use the Push Stick for rip widths less than 6 inches and more than 2 inches.

**RIPPING**

A cutting operation along the length of the workpiece cutting the workpiece to width.

**REVOLUTIONS PER MINUTE (R.P.M.)**

The number of turns completed by a spinning object in one minute.

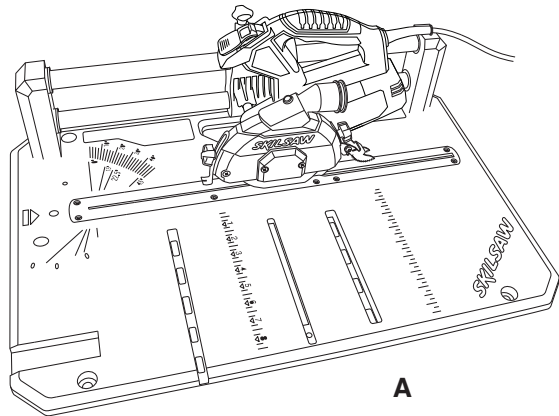
# Unpacking and Checking Contents

**⚠ WARNING** To reduce the risk of injury, never connect plug to power source outlet until all assembly steps are complete and until you have read and understood the entire owner's manual.

Model 3601 Flooring Saw is shipped complete in one box.

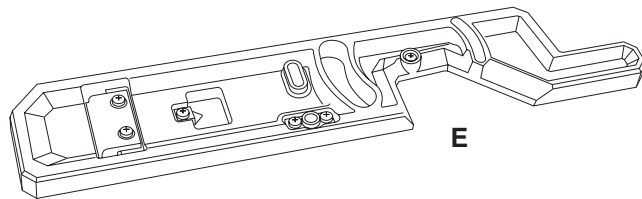
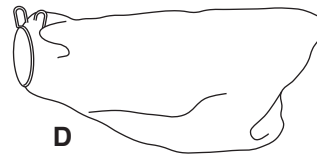
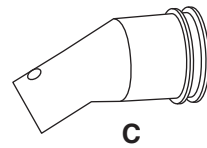
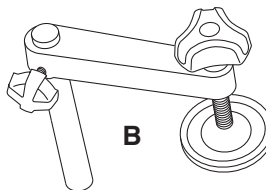
Unpacking and Checking Contents. Separate all parts from packing materials and check each one with the "Table of Loose Parts" to make sure all items are accounted for before discarding any packing material.

**⚠ WARNING** If any parts are missing, do not attempt to assemble the saw, plug in power cord or turn the switch on until the missing parts are obtained and are installed correctly.



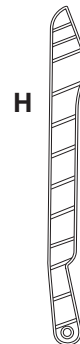
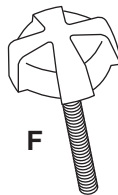
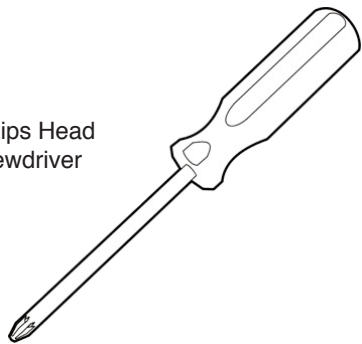
## Table of Loose Parts

ITEM	DESCRIPTION	QTY.
A	Flooring Saw	1
B	Vise Clamp Assembly	1
C	Dust Port	1
D	Dust Bag	1
E	Fence	1
F	Fence Knob	1
G	Wrench (underneath table)	1
H	Push Stick (underneath table)	1

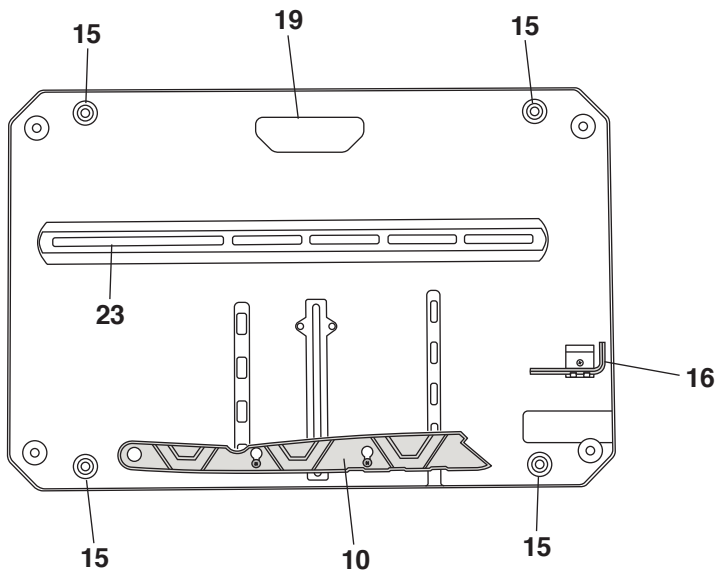
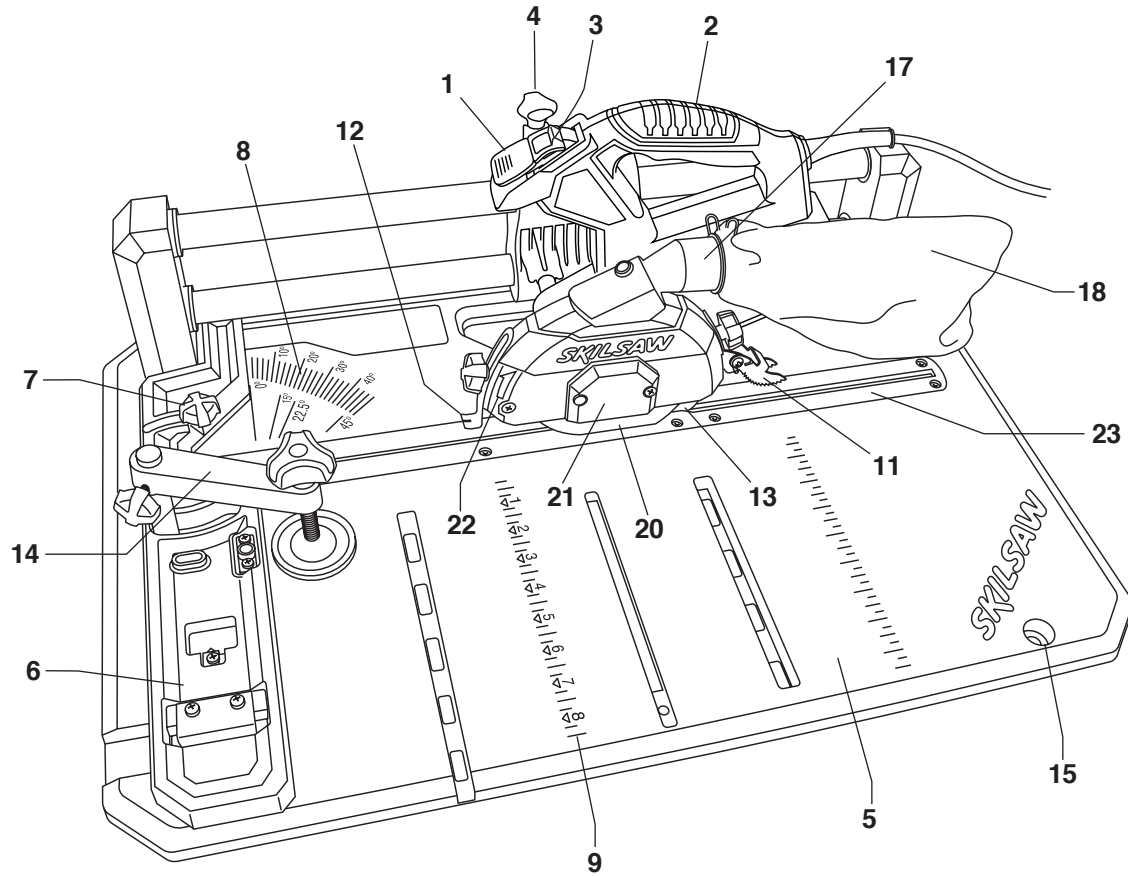


## Additional Tools Needed For Assembly

Phillips Head Screwdriver



# Getting To Know Your Flooring Saw



**Underside of Table**

1. Switch
2. Handle
3. Lock-out Switch Key (removable)
4. Saw Assembly Lock Knob
5. Table
6. Fence
7. Fence Lock Knob
8. Miter Scale
9. Ripping Scale
10. Push Stick Storage
11. Anti-Kickback Pawls
12. Front Hold Down Bracket
13. Spreader/Riving Knife
14. Vise Clamp
15. Tool Mounting Pads
16. Hex Wrench
17. Sawdust Port
18. Dust Collection Bag
19. Carrying Handle
20. Blade Guard
21. Blade Bolt Cover
22. Blade Rotation Arrow
23. Blade Install/Removal Slot

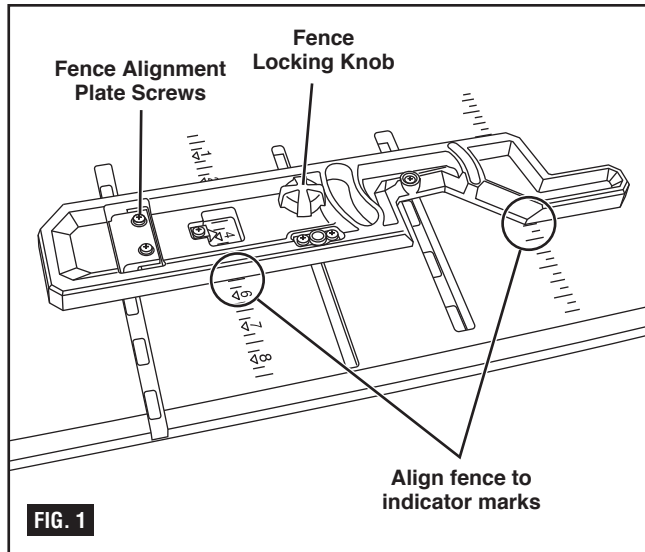
# Assembly and Adjustments

**⚠ WARNING** To reduce the risk of injury, never connect plug to power source outlet until all assembly steps are completed.

## Rip Fence Alignment

See figure 1.

1. Loosen fence locking knob.
2. Using a phillips screwdriver, loosen the two screws of the fence alignment plate.
3. Adjust fence until it is aligned with two corresponding indicator marks.
4. Tighten fence locking knob.
5. Re-tighten both screws on fence alignment plate.



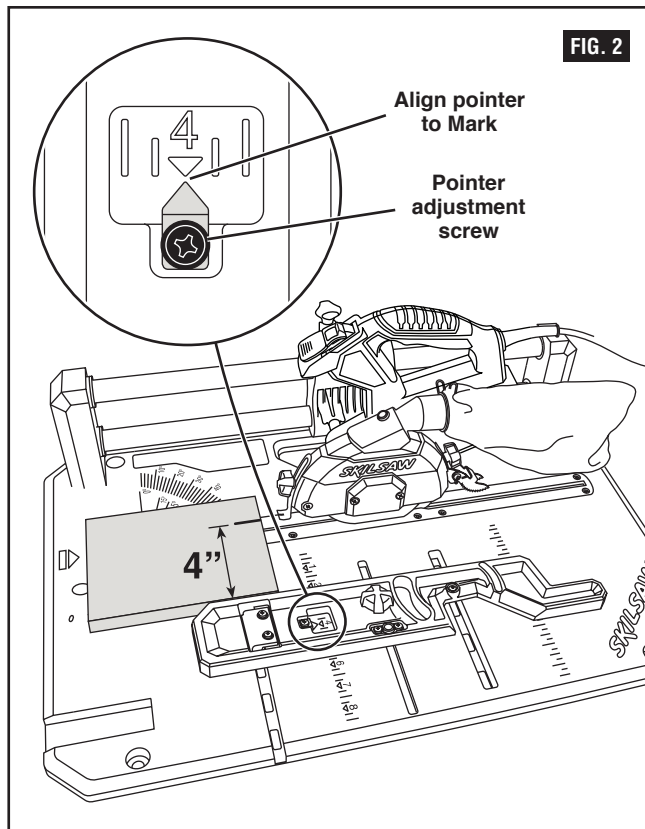
## Rip Fence Pointer Adjustment

See figure 2.

The distance of the fence from the blade when ripping is determined by lining the pointer with the desired dimension on the scale.

### To adjust the rip fence pointer:

1. Loosen fence locking knob.
2. Slide fence to a specific length (example: 4").
3. Tighten fence locking knob.
4. Using a scrap piece of wood, make a small cut.
5. Measure your cut. If needed, adjust the fence until your cut equals your desired length (4").
6. Loosen pointer adjustment screw
7. Align pointer to mark on scale (4").
8. Re-tighten pointer adjustment screw.



# Assembly and Adjustments

## Blade Removal and Installation

See figures 3-6.

**⚠ WARNING** To reduce the risk of personal injury, always disconnect plug from power source before changing blades.

### Using the Correct Blade

**Blade dimensions:** 4-3/8" (110mm) diameter  
3/4" Arbor  
MIN RPM 11,000/min

**IMPORTANT:** The saw blade provided on this tool has a carbide-tipped kerf width of .078" (2mm) and a plate (body) thickness that is .047" (1.2mm) thick. When looking for a replacement blade, select one with dimensions close to the original blade. This information may not be printed on the blades packaging. If not, check the manufacturers catalog or website. Skil offers an extensive line of Premium-Quality Professional Saw Blades that match the requirements for this tool. You must select a blade with a kerf width of .061" or more and a plate (body) thickness .057" or less (Fig. 3).

**⚠ WARNING** To reduce the risk of injury, do not use extra thin kerf saw blades. The kerf of the blade must be wider than .061". Extra thin kerf saw blades (less than .061") may cause the work piece to bind against the riving knife during cutting. It is recommended that the kerf of the replacement blade used on this saw be .061" or more.

**⚠ WARNING** To reduce the risk of injury, do not use saw blades made with a thick body plate. If the replacement saw blade's plate thickness is greater than .057", the riving knife would not properly serve as an aid to reduce kickback. The replacement blade's plate thickness must be less than .057".

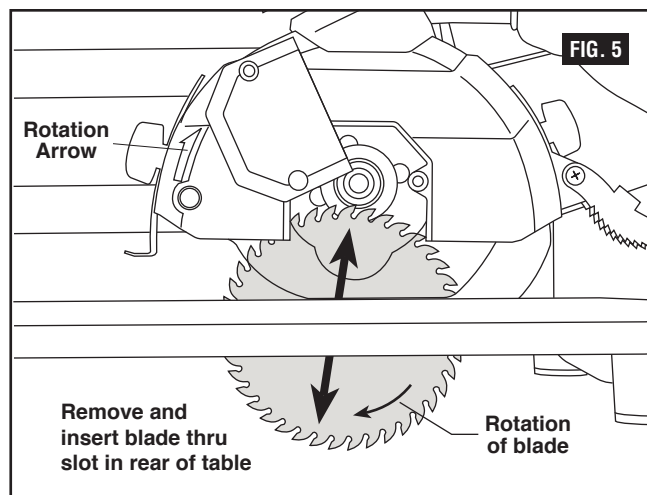
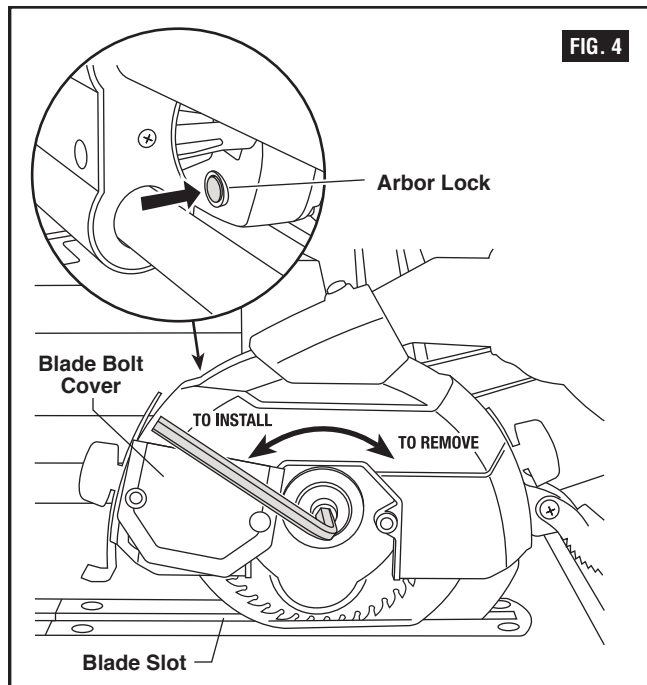
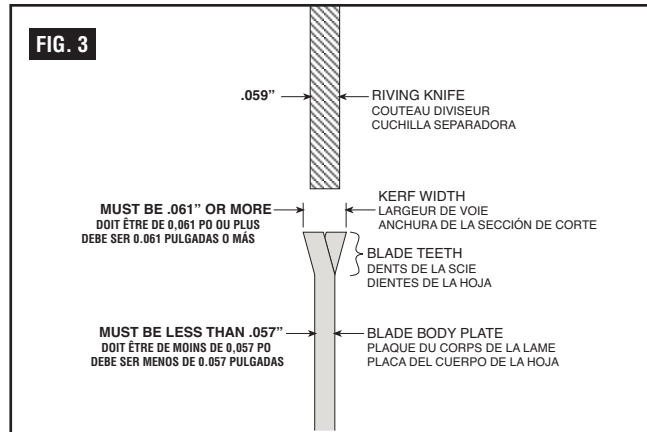
### Changing the Blade

**⚠ WARNING** Carbide is a very hard but brittle material. Care should be taken to prevent accidental damage. Striking tip can damage carbide. Cutting through nails, wiring, or other hard objects embedded in the workpiece may cause tips to crack or break off. Never use if damage (breakage, cracks, loose tips) is suspected. Never use on metal or masonry.

**NOTE:** Clean blade of any excess oil before installation.

1. Place flooring saw on side for more convenient blade changing.
2. Slide the saw assembly back to its farthest position. This is the position in which the blade can be removed from saw.
3. Using a phillips head screwdriver, remove the rear screw on the blade bolt cover and rotate the cover clear of the blade bolt.
4. Push and hold in the arbor lock to lock the blade in place. Using the hex wrench (included), turn the blade bolt clockwise to remove it.

**NOTE:** The blade bolt has a left hand thread.





## Assembly and Adjustments

- Remove the blade bolt and blade collar.
- Remove blade by sliding it down through the kerf insert and out through the underside of the table.

**NOTE:** Inner washer does not need to be removed.

- Install a 4-3/8" (110mm) blade.

**NOTE:** Make sure the rotation arrow on the blade matches the rotation arrow on the upper guard.

To avoid injury, do not use a blade larger or smaller than 4-3/8" diameter and 3/4" arbor.

- Install the blade collar in the proper orientation, then install blade bolt. Tighten blade bolt finger tight. Press the arbor lock and tighten blade bolt securely, but do not overtighten.
- Be sure the arbor lock is released so the blade turns freely.
- Close blade bolt cover, insert rear screw, and tighten.

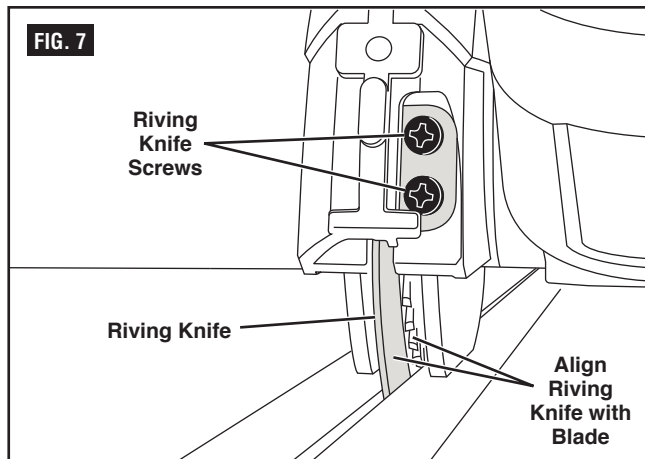
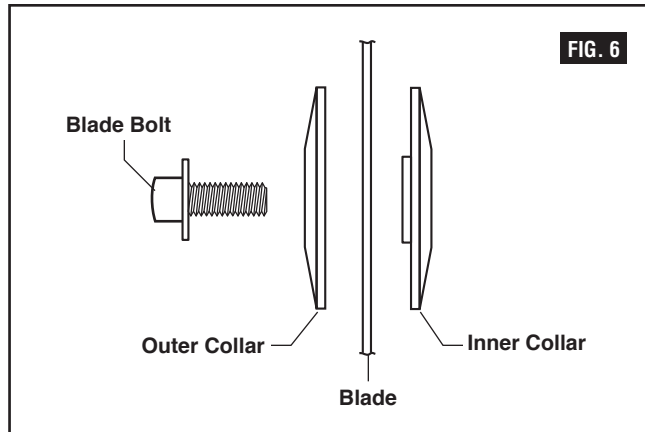
After installing a new blade, check for any contact with the base or table structure. If blade contacts table, seek authorized service.

### Riving Knife Alignment

See figures 6-7.

**WARNING** Disconnect plug from power source before performing any assembly, adjustment or repair to avoid possible injury.

- Remove the anti-kickback pawls.
- Using a philips screwdriver, slightly loosen the two screws which mount the riving knife to the blade guard.
- Align the riving knife in line with the blade.
- Re-tighten both riving knife screws.



# Assembly and Adjustments

## Mounting to Workbench

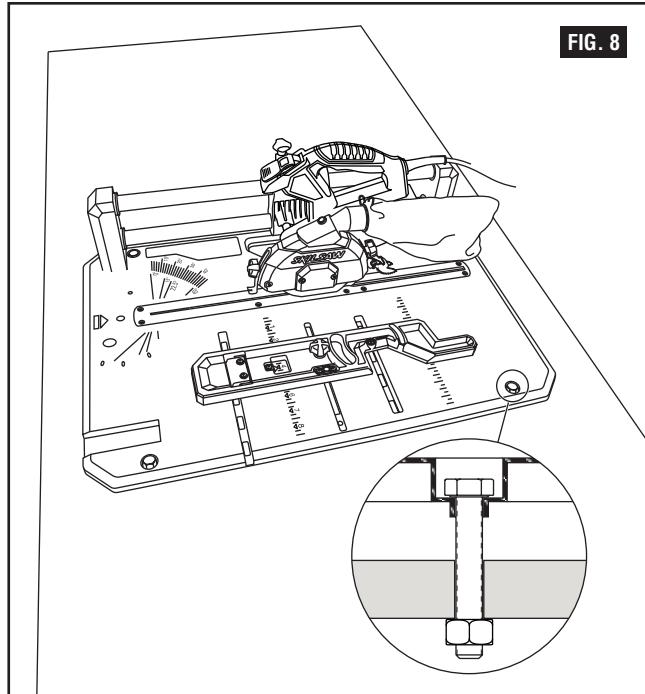
See figure 8.

If saw is to be used in a permanent location, it should be fastened securely to a firm supporting surface such as a stand or workbench, using the four mounting holes.

When mounting saw to a workbench or plywood, holes should be drilled through the supporting surface of the workbench or plywood and an opening **MUST** be made the same size as the opening in the bottom of the saw, so the saw dust can drop through.

Each of the four mounting holes should be bolted securely using 5/16" hex nuts (not included). Screw lengths should be 2" longer than the thickness of the bench top.

1. Locate and mark where the saw is to be mounted.
2. Drill four (4) 3/8" diameter holes through workbench.
3. Place saw on workbench aligning holes in base with holes drilled in workbench.
4. Insert four (4) 5/16" screws and tighten.



## Mounting to Plywood

See figure 9.

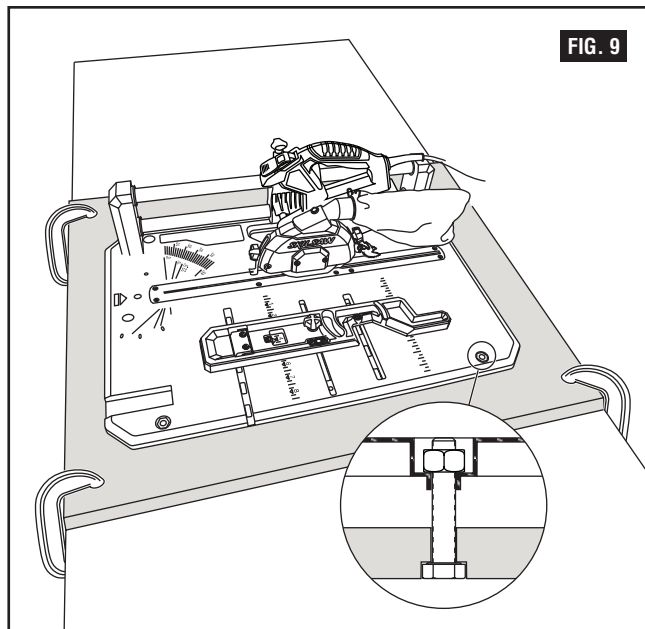
An alternative method of securing your saw is to fasten the saw base to a mounting board 24" x 24" minimum size to prevent saw from tipping while in use. Any good grade of plywood with a 3/4" minimum thickness is recommended.

1. Follow instructions for mounting to workbench, substituting a plywood board 24" x 33" minimum size and using 5/16" flat head machine screws, flat washers, and hex nuts (not included). Screw length must be so screws do not protrude above table top surface. Insert screws up through mounting board and through base holes. Place flat washers on stud and secure with hex nuts.

**NOTE:** For proper stability, holes must be counter sunk on bottom side of plywood so screw heads are flush with the bottom surface of the supporting board.

2. Securely clamp board to workbench using two or more "C" clamps, as shown.

Supporting surface where saw is to be mounted should be examined carefully after mounting to insure that no movement can occur during use. If any tipping or walking is noted, secure the workbench or stand before operating the table saw.



# Operation

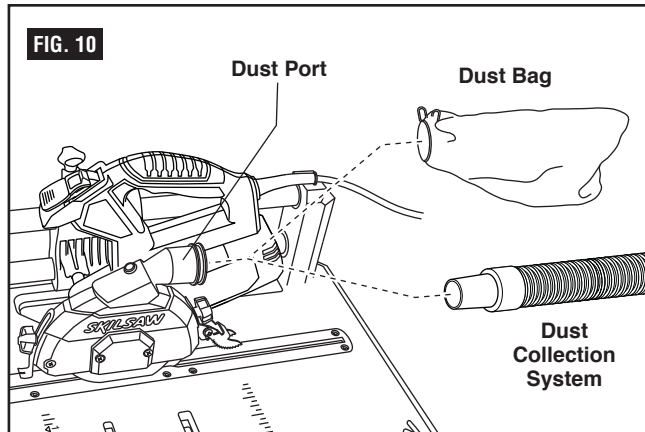
## Keeping Area Clean

Sawdust and wood chips that fall under the saw will accumulate on the floor. Make it a practice to pick up and discard this dust when you have completed cutting.

## Sawdust Port

See figure 10.

The sawdust port is located at the rear of the upper guard. A dust collection system or dust bag can be attached to this port to aid in the removal of sawdust from the work area. The sawdust port accepts a standard 1-1/4" vacuum hose.



## Saw Assembly Lock

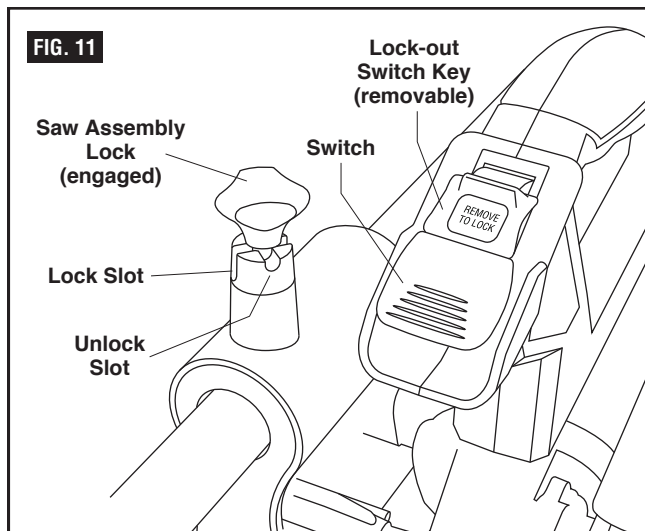
See figure 11.

**WARNING** To reduce the risk of injury, make sure the switch is OFF before locking saw into ripping operation.

The saw assembly lock is used to lock the saw in place while performing rip cuts.

**To engage and lock saw assembly:** pull saw assembly lock knob, rotate 90 degrees so shaft pin is aligned with the deep slot, then release knob. Slide saw to center of rail until lock engages.

**To disengage and unlock saw assembly:** pull saw assembly lock knob, rotate 90 degrees so shaft pin is aligned with the shallow slot, then release knob.



## Switch

See Figure 11.

The Switch has a removable lockout switch key to protect against unauthorized use.

1. To turn the tool ON, insert the lockout switch key into the switch housing. As a safety feature, the switch cannot be turned ON without the lockout switch key.
2. Flip the switch upward to the ON position.
3. To turn the tool OFF, move the switch to the down position.
4. To lock the switch in the OFF position, remove the Lockout switch key from the switch. Store the key in a safe place.

# Operation

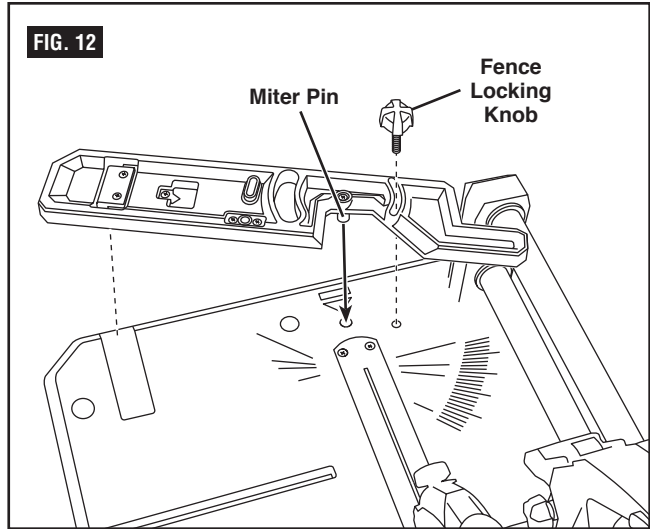
## Miter Cutting

A miter cut is made at any miter angle in the range from 0-47°. The miter scale is cast-in on the base for easy reading. Positive detents have been provided for fast and accurate mitering at 0°, 22.5°, and 45°.

## Preparing Saw for Miter Cutting

See figure 12.

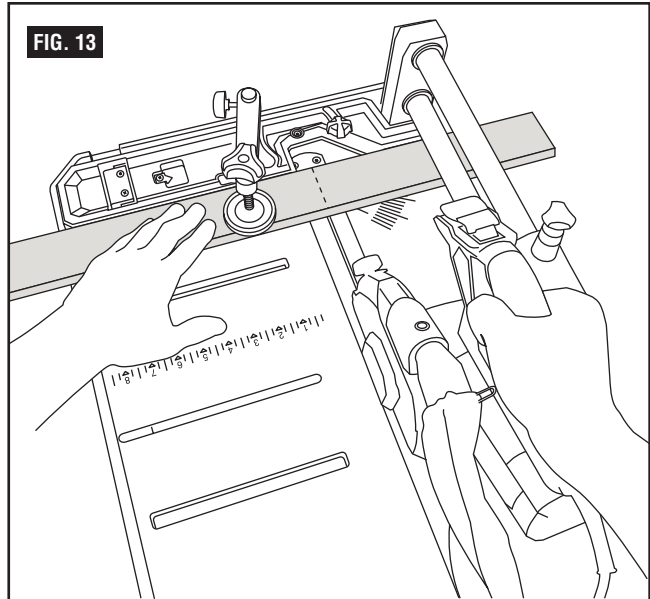
1. Loosen and remove fence locking knob.
2. Place fence in miter cutting position, by placing the fence's miter pin into the hole located on the table.
3. Replace fence locking knob in threaded hole.
4. Make sure anti-kickback pawls and front hold down bracket are in their fully up position for miter cutting.



## Body and Hand Position

See figure 13.

- Hold work piece firmly to the fence to prevent movement.
- Keep hands away from blade and its cutting path until switch has been turned off and blade has stopped completely.
- Keep feet/knees firmly on the floor and maintain proper balance.
- If following a pencil line, align work piece to kerf of insert plate.
- Before making any cut, with the power off, slide saw toward work piece to preview the blade path.



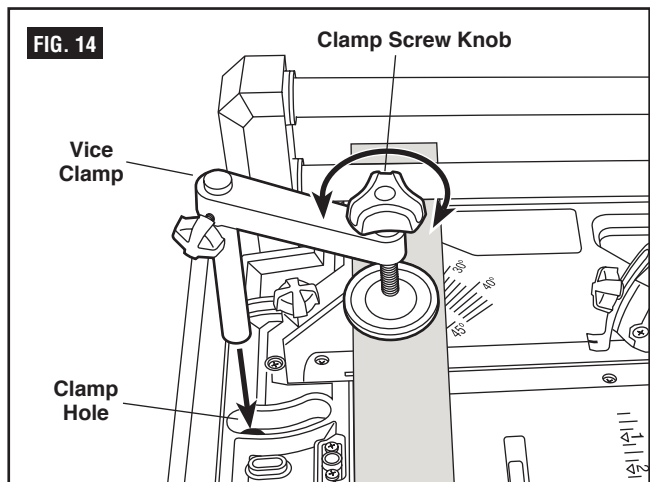
## Workpiece Support

See figure 14.

**Vice Clamp** - This clamp easily secures a workpiece.

1. Insert clamp post into clamp hole.
2. Rotate screw knob of the clamp clockwise to tighten, counter-clockwise to loosen.
3. Slide the saw assembly to check clearance with clamp.

**Long Workpiece Support** - Support long workpieces to prevent sagging. Use cut 2x4 block to support long workpieces.

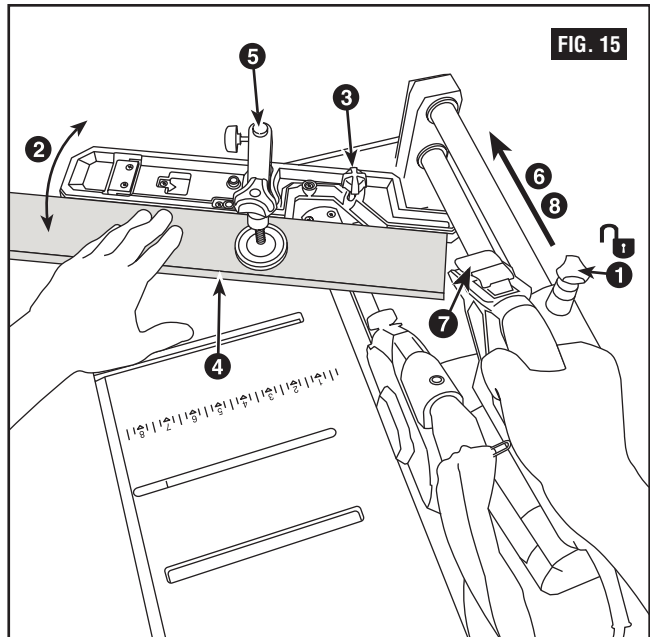


# Operation

## Making a Miter Cut

See figure 15.

1. Ensure switch is at the "off" position and release the saw assembly lock.
2. Move the fence to the desired angle, using either the detents or the miter scale.
3. Tighten lock knob.
4. Properly position work piece.
5. Make sure workpiece is clamped firmly against the table and the fence. Use clamping position that does not interfere with operation.
6. Before switching on, slide saw assembly to make sure clamp clears guard and saw assembly.
7. Activate the switch.
8. Slide the saw assembly and make your cut.
9. Turn switch OFF and wait until blade comes to a complete stop before returning saw assembly and/or removing the work piece.



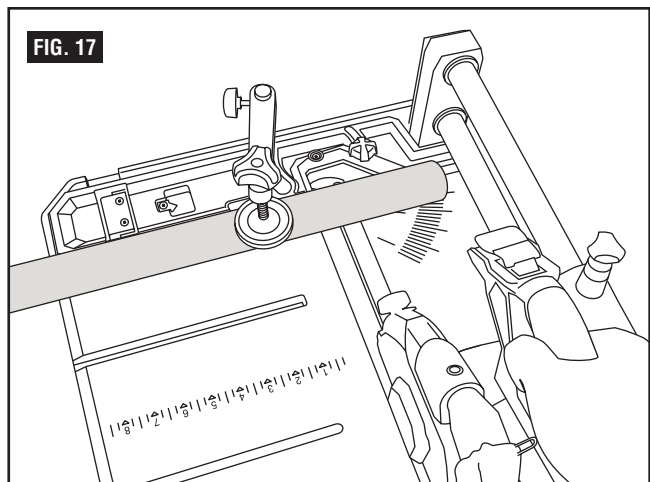
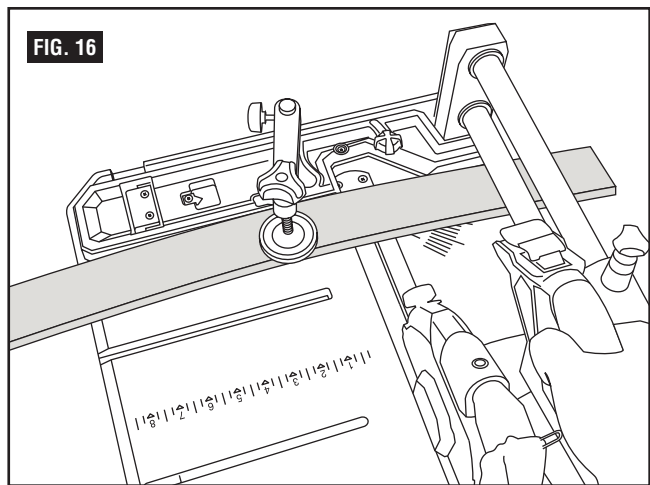
## Special Cuts

### Cutting Bowed Material

If workpiece is bowed or warped, clamp it with the outside bowed face toward the fence (Figure 16). Always make certain that there is no gap between the workpiece, fence and table along the line of cut. Bent or warped workpieces can twist or rock and may cause binding on the spinning saw blade while cutting.

### Cutting Round or Irregular Material

**For round material such as dowel rods or tubing, always use a clamp or a fixture designed to clamp the workpiece firmly against the fence and table.** Rods have a tendency to roll while being cut, causing the blade to "bite" and pull the work with your hand into the blade (Figure 17).





# Operation

## Rip Cutting

RIPPING is known as cutting a piece of wood with the grain, or lengthwise.

RIPPING is performed using the RIP FENCE together with the PUSH STICK.

A push stick is included with your flooring saw. If your push stick has become lost or damaged, you can make a push stick using a piece of 1 x 2, as shown in figure 18.

Use a push stick whenever the fence is 1-3/4 inches or more from the blade. Use a scrap wood piece when the operation is too narrow (less than 1-3/4") to allow the use of a push stick.

Both a push stick or scrap wood piece should be used in the place of the user's hand to guide the material only between the fence and blade.

When using a push stick or scrap wood piece, the trailing end of the board must be square. A push stick or scrap wood piece against an uneven end could slip off or push the work away from the fence.

For your own safety, always observe the following safety precautions in addition to the safety instructions on Pages 2-6.

Never make these cuts FREEHAND (without using the rip fence because the blade could bind in the cut and cause a KICKBACK.

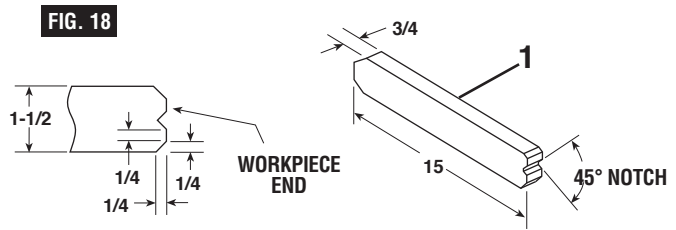
Always lock the rip fence securely when in use.

Frequently check the action of the ANTIKICKBACK PAWLS by passing the workpiece alongside of the spreader while saw is OFF.

Pull the workpiece TOWARD you. If the PAWLS do not DIG into the workpiece and HOLD it, the anti-kickback pawls must be REPLACED. See "Maintenance" on Page 20.

Do not stand directly in front of the blade in case of a KICKBACK. Stand to either side of the blade.

Keep your hands clear of the blade and out of the path of the blade.



If the blade stalls or stops while cutting, **TURN SWITCH OFF** before attempting to free the blade.

Do not reach over or behind the blade to pull the workpiece through the cut ... to support long or heavy workpieces ... to remove small cut-off pieces of material or **FOR ANY OTHER REASON.**

Do not pick up small pieces of cut-off material from the table. **REMOVE** them by pushing them **OFF** the table with a long stick. Otherwise they could be thrown back at you by the front of the blade.

Do not remove small pieces of cut-off material that may become **TRAPPED** inside the blade guard while the saw is **RUNNING.** **THIS COULD ENDANGER YOUR HANDS** or cause a **KICKBACK.** Turn the saw **OFF.** After the blade has stopped turning, lift the guard and remove the piece.

If workpiece is warped, place the **CONCAVE** side **DOWN.** This will prevent it from rocking while it is being ripped.

# Operation

## Preparing Saw for Rip Cutting

See figure 19.

1. Position the Saw Assembly on middle of rail.
2. Insert Saw Assembly locking knob into hole on rail and ensure saw assembly is locked into place, see figure 11.
3. Remove fence locking knob and remove fence from miter position.
4. Position threaded piece to right side of table.
5. Position fence on table for ripping.
6. Replace fence locking knob in threaded piece.
7. Adjust front hold down bracket to approximately 1/16" above workpiece.
8. Lower anti-kickback pawls to its lowest position.

## Making a Rip Cut

See figure 20.

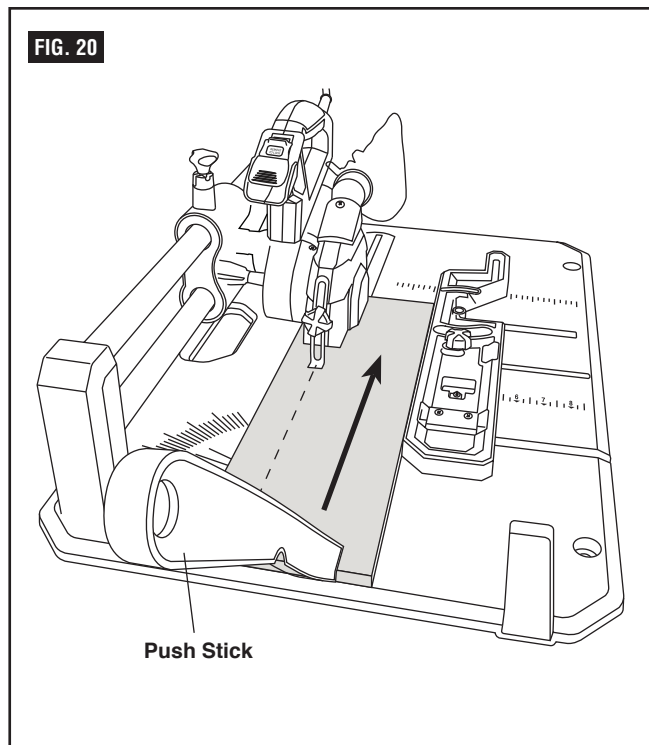
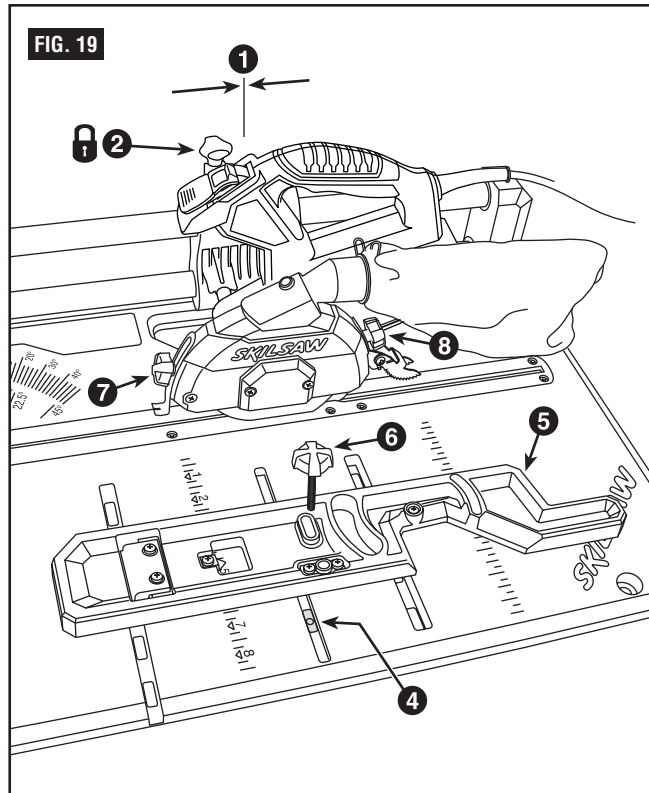
1. Ensure switch is at the "off" position and saw assembly is in the locked position.
2. Position the fence to the desired width of rip and lock in place. Before starting to rip, be sure:
  - a. Rip Fence is parallel to saw blade.
  - b. Riving Knife is properly aligned with saw blade.
  - c. Anti-kickback pawls are functioning properly.
3. Turn on the saw and begin to feed the wood onto the blade, making sure that the edge of the wood is against the rip fence.

Stay to the side of the workpiece as you feed it onto the saw to avoid kickback.

Use the push stick to complete the cut past the saw blade. The use of a pushstick is essential in helping to ensure safety while using your saw.

Feed the wood into the blade at a smooth and consistent speed. Keep the wood moving, never stopping as you make the cut, since this could result in an uneven and choppy cut.

4. Turn off the saw after the piece of wood has been cut through. Allow the saw blade to stop completely before removing the pieces of wood.



# Maintaining Your Flooring Saw

## Maintenance

**⚠ WARNING** For your own safety, turn all switches “OFF” and remove plug from power source outlet before maintaining or lubricating your saw.

Do not allow sawdust to accumulate inside the saw. Frequently blow out any dust that may accumulate inside the saw cabinet and the motor. Clean your cutting tools with a Gum and Pitch Remover.

The cord and the tool should be wiped with a dry clean cloth to prevent deterioration from oil and grease.

**⚠ WARNING** Certain cleaning agents and solvents can damage plastic parts. Some of these are: gasoline, carbon tetrachloride, chlorinated cleaning solvents, ammonia and household detergents which contain ammonia. Avoiding use of these and other types of cleaning agents will minimize the possibility of damage.

A coat of automobile-type wax applied to the table will help to keep the surface clean and allow workpieces to slide more freely.

If the power cord is worn or cut, or damaged in any way, have it replaced immediately.

Make sure the teeth of the anti-kickback pawls are always sharp. To sharpen: remove anti-kickback pawls from the saw and sharpen the teeth using a small file (Smooth Cut).

**⚠ WARNING** All repairs, electrical or mechanical, should be attempted only by trained repairmen. Contact the nearest Factory Service Center or Authorized Service Station or other competent repair service. Use only identical replacement parts, any other may create a hazard.

## Accessories

**⚠ WARNING** Use only recommended accessories. Follow instructions that accompany accessories. Use of improper accessories may cause hazards.

**⚠ WARNING** Carbide is a very hard but brittle material. Care should be taken to prevent accidental damage. Striking tip can damage carbide. Cutting through nails, wiring, or other hard objects embedded in the workpiece may cause tips to crack or break off. Never use if damage (breakage, cracks, loose tips) is suspected. Never use on metal or masonry.

## Troubleshooting

**⚠ WARNING** Turn switch “OFF” and always remove plug from the power source before trouble shooting.

TROUBLE	PROBLEM	REMEDY
Will not start	Power cord is not plugged in.	Plug in.
	Fuse or circuit breaker tripped.	Replace fuse or reset tripped circuit breaker.
	Cord damaged.	Have cord replaced by an Authorized Skil Service Center or Service Station.
	Burned out switch.	Have switch replaced by an Authorized Skil Service Center or Service Station.
Does not come up to speed	Extension cord too light or too long.	Replace with adequate cord.
	Low house voltage.	Contact your electric company.
Excessive vibration	Blade out of balance.	Discard Blade and use different blade, see page 13.
	Saw not mounted securely to stand or workbench.	Tighten all mounting hardware.
	Blade bolt not tight.	See “Blade Removal and Installation”, page 13.

# Sécurité

**⚠ AVERTISSEMENT** « LISEZ TOUTES LES INSTRUCTIONS » — L'utilisateur qui négligerait de suivre les CONSIGNES DE SÉCURITÉ précédées d'un point noir (•) ci-dessous et de prendre d'autres précautions élémentaires risquerait de subir de graves blessures.

## Consignes générales de sécurité pour les outils d'établi

### Zone de travail

- **Gardez la zone de travail propre et bien éclairée.** Les établis encombrés et les endroits sombres invitent les accidents.
- **N'utilisez pas les outils électriques en atmosphères explosives, comme en présence de poussière, de gaz ou de liquides inflammables.** Les outils électriques créent des étincelles qui peuvent enflammer la poussière ou les vapeurs.
- **Gardez les spectateurs, les enfants et les visiteurs à l'écart lorsque vous utilisez un outil électrique.** Les distractions peuvent vous faire perdre le contrôle.
- **Rangez les outils inutilisés hors de portée des enfants et autres personnes sans formation à cet égard.** Les outils sont dangereux entre les mains d'utilisateurs non formés.
- **Ne laissez pas l'outil en marche, sans surveillance, mettez hors tension.** Ne laissez pas l'outil avant qu'il soit à l'arrêt complet.
- **RENDEZ L'ATELIER À L'ÉPREUVE DES ENFANTS** à l'aide de cadenas ou d'interrupteurs principaux, ou en retirant les clés du démarreur.

### Sécurité électrique

- **Avant de brancher l'outil à une prise de courant, assurez-vous que la tension fournie correspond, à 10 % près, à celle spécifiée sur la plaque signalétique.** Une tension de sortie incompatible avec celle spécifiée sur la plaque signalétique risque de blesser sérieusement l'utilisateur sans mentionner l'endommagement de l'outil.
- **Les outils à double isolation sont pourvus d'une fiche polarisée (une lame est plus large que l'autre). Cette fiche ne peut être insérée dans une prise polarisée que d'une seule façon. Si la fiche ne s'insère pas à fond dans la prise, inversez la fiche. Si elle ne rentre toujours pas, contactez un électricien qualifié pour faire poser une prise polarisée. Ne modifiez la fiche d'aucune façon.** La double isolation élimine la nécessité d'un cordon mis à la terre à trois fils et d'une alimentation mise à la terre.
- **Évitez tout contact corporel avec les surfaces mises à la terre telles que tuyaux, radiateurs, cuisinières et réfrigérateurs.** Ces surfaces posent un risque accru de secousses électriques si votre corps est mis à la terre.
- **N'exposez pas les outils électriques à la pluie ou à l'humidité.** L'eau pénétrant dans un outil électrique augmentera le risque de secousses électriques.

- **N'abusez pas du cordon. N'utilisez jamais le cordon pour transporter les outils et ne tirez pas la fiche d'une prise. Tenez le cordon à l'écart de la chaleur, de l'huile, des arêtes vives ou des pièces mobiles. Remplacez les cordons abîmés immédiatement.** Les cordons abîmés augmentent le risque de secousses électriques.
- **Lorsque vous utilisez un outil électrique à l'extérieur, utilisez un cordon de rallonge pour service extérieur marqué « W-A » ou « W ».** Ces cordons sont prévus pour usage extérieur et réduisent le risque de secousses électriques.

### Sécurité personnelle

- **Demeurez vigilant, surveillez ce que vous faites et faites preuve de discernement en utilisant un outil électrique.** Un moment d'inattention ou la prise de drogues, d'alcool ou de médicaments peut s'avérer dangereux durant l'utilisation d'un outil électrique.
- **Portez des vêtements convenables. Ne portez pas de vêtements amples ni de bijoux. Pour les cheveux longs, nous conseillons le port d'un serre-tête. Tenez les cheveux, les vêtements et les gants à l'écart des pièces mobiles. Les vêtements amples, les bijoux ou les cheveux longs risquent de s'accrocher dans les pièces mobiles.** Roulez les manches longues au-dessus du coude. Le port de gants en caoutchouc et de chaussures à semelle antidérapante est recommandé si vous travaillez à l'extérieur.
- **Évitez la mise en marche accidentelle. Assurez-vous que l'interrupteur est à l'arrêt avant de brancher.** Le transport de l'outil avec le doigt sur l'interrupteur ou le branchement d'outils dont l'interrupteur est à la position de marche invite les accidents.
- **Enlevez les clés de réglage et autres clés avant de mettre l'outil en marche.** Une clé qui est laissée fixée à une pièce rotative de l'outil sera projetée.
- **Faites attention de ne jamais perdre l'équilibre. Soyez toujours bien stable et équilibré sur vos pieds.** La stabilité et un bon équilibre vous permettent de mieux contrôler l'outil dans des situations inattendues.
- **Ne montez pas sur l'outil ni sur son support.** Des blessures graves peuvent être causées en cas de basculement de l'outil ou de contact accidentel avec l'outil de coupe. Ne conservez pas de matériaux sur ou à proximité de l'outil de sorte qu'il soit nécessaire de monter sur l'outil ou son support pour les atteindre.
- **Utilisez l'équipement de sécurité. Portez toujours des lunettes à coques latérales.** Un masque anti-poussière, des chaussures de sécurité, un casque dur ou des protège-oreilles doivent être utilisés si la situation l'exige. Les lunettes de tous les jours comportent uniquement des verres résistant aux chocs. Ce NE SONT PAS des lunettes de sécurité.

« CONSERVEZ CES INSTRUCTIONS »

# Sécurité

**⚠ AVERTISSEMENT** « LISEZ TOUTES LES INSTRUCTIONS » — L'utilisateur qui négligerait de suivre les CONSIGNES DE SÉCURITÉ précédées d'un point noir (•) ci-dessous et de prendre d'autres précautions élémentaires risquerait de subir de graves blessures.

## Utilisation et entretien de l'outil

- **Utilisez des pinces ou autre façon pratique d'assujettir et de supporter l'ouvrage à une plate-forme stable.** Tenir l'ouvrage à la main ou contre son corps n'assure pas la stabilité voulue. L'ouvrage peut ainsi se déplacer, faire gripper l'outil et vous faire perdre le contrôle de l'outil.
- **Ne forcez pas l'outil. Utilisez l'outil convenant à votre application.** L'outil convenable exécutera le travail plus efficacement et plus sûrement à la vitesse à laquelle il est conçu. N'utilisez pas l'outil à une fin autre que celle à laquelle il est prévu — ainsi, n'utilisez pas la scie à parquet pour trancher les viandes.
- **N'utilisez pas l'outil si l'interrupteur ne le met pas en marche et à l'arrêt.** Tout outil qui ne peut être commandé par l'interrupteur est dangereux.
- **Débranchez la fiche de la prise de courant avant d'effectuer tout réglage ou de changer les accessoires.** Ces mesures préventives réduisent le risque d'une mise en marche accidentelle.
- **Gardez les outils de coupe affilés et propres.** Des outils bien entretenus, avec tranchants affilés, sont moins susceptibles de gripper et plus faciles à contrôler. Lorsque vous montez des lames de scie, assurez-vous que la flèche de la lame correspond au sens de la flèche marquée sur l'outil et que les dents pointent également dans le même sens.
- **Inspectez les protecteurs avant d'utiliser un outil. Gardez les protecteurs en place. Vérifiez si les pièces mobiles grippent ou tout autre état pouvant influencer sur le fonctionnement normal ou les fonctions de sécurité de l'outil. Si l'outil est abîmé, faites-le réparer avant de l'utiliser.** Beaucoup d'accidents sont causés par des outils mal entretenus.
- **Ne modifiez pas l'outil et n'en faites pas un usage inapproprié.** Toute altération ou modification constitue un usage inapproprié et peut causer des blessures graves.
- **L'utilisation de tout autre accessoire non précisé dans ce manuel peut créer un danger.** Les accessoires qui peuvent être adéquats pour un type d'outil peuvent devenir dangereux lorsqu'ils sont utilisés sur un outil inapproprié.

## Réparation

- **L'outil ne doit être réparé que par des techniciens de réparation qualifiés.** Les réparations ou l'entretien effectués par des personnes non qualifiées peuvent résulter en un positionnement erroné de composants et de fils internes, ce qui peut provoquer des dangers sérieux.
- **N'utilisez que des pièces de rechange identiques pour réparer un outil. Suivez les consignes contenues dans la section Entretien de ce manuel.** L'utilisation de pièces non autorisées ou le non-respect des consignes d'entretien peut être dangereux.

## Consignes de sécurité pour les scies à parquet

- **Débranchez toujours le cordon de la prise de courant avant d'effectuer quelque réglage que ce soit ou de poser des accessoires.** Vous pouvez mettre la scie en marche par mégarde, et être blessé grièvement.
- **Les scies à parquet sont destinées à couper uniquement le bois ou des produits similaires. N'utilisez pas cette scie pour couper des métaux, même avec une lame spécialement conçue pour la coupe de ces matériaux. N'utilisez pas non plus la scie pour couper des matériaux de maçonnerie, même avec des meules à tronçonner abrasives.** La coupe de métaux ou de matériaux de maçonnerie risque d'entraîner des blessures corporelles et d'endommager l'outil.
- **N'utilisez pas la scie tant que la table n'est pas libérée de tous outils, débris de bois, etc, sauf l'ouvrage.** Les petits débris ou pièces détachées de bois ou autres objets venant en contact avec la lame en rotation peuvent être projetés à haute vitesse en direction de l'opérateur.
- **Coupez un seul ouvrage à la fois.** Les ouvrages multiples ne peuvent être cramponnés ou serrés adéquatement, et ils peuvent gripper sur la lame ou se déplacer durant la coupe.
- **Assurez-vous que la scie à parquet est montée ou placée sur une surface de travail ferme et à niveau avant de l'utiliser.** Une surface de travail ferme et à niveau réduit le risque d'instabilité de la scie à parquet.
- **Cet outil n'est pas muni de points de fixation pour un guide auxiliaire.** Assurez-vous que la pièce est supportée par le guide avant de la scier.
- **Planifiez votre travail. Obtenez des accessoires de support adéquats tels que tables, chevalets de scieur, rallonge de table, etc. pour les ouvrages plus larges ou plus longs que le dessus de la table.** Les pièces plus longues que la table de la scie à parquet risquent de basculer si elles ne sont pas soutenues fermement. Si la pièce tronçonnée ou l'ouvrage bascule, il peut lever le protecteur inférieur ou être projeté par la lame en rotation.
- **N'utilisez pas une autre personne en remplacement d'une rallonge de table ou comme support supplémentaire.** Un support instable de l'ouvrage peut faire gripper la lame ou déplacer l'ouvrage durant la coupe, tirant ainsi votre assistant et vous-même dans la lame en rotation.
- **La pièce tronçonnée ne doit pas être bloquée contre la lame de scie en rotation ni être pressée par aucun autre moyen contre celle-ci.** Si elle est captive, en utilisant des butées de longueur, par exemple, elle pourrait être coincée contre la lame et être projetée violemment.

« CONSERVEZ CES INSTRUCTIONS »



# Sécurité



## AVERTISSEMENT

« LISEZ TOUTES LES INSTRUCTIONS » — L'utilisateur qui négligerait de suivre les CONSIGNES DE SÉCURITÉ précédées d'un point noir (•) ci-dessous et de prendre d'autres précautions élémentaires risquerait de subir de graves blessures.

- **Laissez la lame atteindre une vitesse maximum avant de la mettre en contact avec l'ouvrage.** Ceci aidera à éviter la projection d'ouvrages.
- **Si l'ouvrage ou la lame se bloque ou se coince, mettez la scie à parquet à l'arrêt en relâchant l'interrupteur. Attendez que toutes les pièces mobiles s'arrêtent et débranchez la scie à parquet avant de libérer les matériaux coincés.** Le fait de continuer à scier avec l'ouvrage coincé pourrait entraîner une perte de contrôle ou des dommages à la scie à parquet.
- **Après avoir terminé la coupe, ARRÊTEZ la scie à parquet et attendez que la lame cesse de tourner avant de retirer l'ouvrage ou la pièce tronçonnée. Si la lame ne s'arrête pas en dix (10) secondes ou moins, débranchez la scie et suivez les instructions du chapitre Dépannage. IL EST DANGEREUX D'INSÉRER LA MAIN SOUS UNE LAME EN TRAIN DE S'IMMOBILISER.**

### OPÉRATION DE COUPE TRANSVERSALE

- **Utilisez des brides pour soutenir l'ouvrage chaque fois que possible. Si vous soutenez l'ouvrage à la main, votre main doit toujours se tenir en dehors de la trajectoire de coupe. Ne vous servez pas de cette scie pour couper des ouvrages qui sont trop petits pour être solidement fixés au moyen d'une bride.**
- **Ne faites pas avancer l'ouvrage sur la lame et n'effectuez aucune coupe « à main levée ». L'ouvrage doit être immobile et fixé par bride ou soutenu à la main.** Il faut faire avancer la scie à travers l'ouvrage sans à-coups et à une vitesse qui ne provoquera pas de surcharge du moteur de la scie.
- **N'essayez pas de mettre les mains à l'arrière de la lame de scie derrière le guide pour maintenir ou soutenir l'ouvrage, retirer des fragments de bois ou pour toute autre raison.** La distance entre la lame qui tourne et votre main n'est pas toujours évidente à déterminer, et vous pourriez être grièvement blessé.
- **Inspectez votre ouvrage avant de réaliser une coupe. Si l'ouvrage est gauche ou arqué, fixez-le à l'aide d'une bride, sa surface arquée extérieure étant orientée vers le guide. Assurez-vous toujours qu'il n'y a pas d'espace entre l'ouvrage, le guide et la table tout au long de la ligne de coupe.** Les ouvrages courbés ou gauches peuvent se tordre ou se secouer et causer un blocage sur la lame qui tourne pendant la coupe. De plus, assurez-vous que l'ouvrage ne contient pas de clous ou d'objets étrangers.
- **Utilisez toujours une bride ou une fixation conçue pour soutenir correctement les objets cylindriques, comme des tiges ou des tubes.** Les tiges ont tendance à rouler quand on les coupe, ce qui force la lame à « mordre » et à attirer l'ouvrage et votre main vers elle.
- **Quand vous coupez un ouvrage à forme irrégulière, planifiez votre travail de manière qu'il ne glisse pas, ce qui pincerait la lame et arracherait l'ouvrage de votre main.** Un morceau de moulure, par exemple, doit être mis à plat ou tenu par une fixation ou un gabarit qui l'empêchera de se tordre, de se secouer ou de glisser pendant la coupe.

### EMPLACEMENT

Utilisez la scie à parquet dans un endroit bien éclairé, posée sur une surface plane, propre et suffisamment unie pour réduire le risque de trébucher et de tomber. Placez-la de telle manière que ni vous ni un tiers qui vous observe ne soit forcé de se tenir en face de la lame.

### REBOND

Les REBONDS peuvent causer des blessures graves. Ils se produisent quand une partie de la pièce se coince entre la lame de scie et le guide de sciage en long ou tout autre objet fixe. Ils peuvent également se produire quand la pièce coince la lame en cas de mauvais alignement. Lors d'un rebond, la pièce se soulève de la table et elle est éjectée vers l'opérateur. Il faut toujours placer le visage et le corps de côté par rapport à la lame, jamais en face d'un « REBOND » éventuel.

### LES REBONDS ET BLESSURES ÉVENTUELLES PEUVENT EN GÉNÉRAL ÊTRE ÉVITÉS EN :

- Maintenant le parallélisme du guide de sciage en long par rapport à la lame de scie.
- Maintenant la lame bien affûtée et en remplaçant ou en affûtant les taquets anti-rebond quand leurs pointes sont émoussées.
- Laissant le capot de la lame de scie, l'écarteur et les taquets anti-rebond en place et en les maintenant en bon état. L'écarteur doit être aligné par rapport à la lame et les taquets doivent pouvoir arrêter un rebond une fois qu'il a été amorcé. Vérifiez que ces derniers fonctionnent avant de refendre.
- Ne refendant PAS de pièces qui sont tordues ou vrillées ou qui n'ont pas de bord droit pour les guider le long du guide de sciage en long.
- Ne relâchant PAS la pièce avant de l'avoir poussée complètement sous la lame de scie.
- En utilisant un poussoir pour refendre les pièces dont la largeur se situe entre 1-3/4 po et 6 po ou en se servant d'une chute de bois pour pousser la pièce afin de finir de la refendre si sa largeur de sciage est trop faible (moins de 1-3/4 po) pour pouvoir utiliser un poussoir.
- En ne confinant PAS la chute lorsqu'on refend ou qu'on scie transversalement.
- Quand on refend, pour faire avancer la pièce il faut exercer la poussée sur la partie de la pièce qui se trouve entre la lame de scie et le guide de sciage en long. Servez-vous d'un poussoir ou au besoin d'une chute (voir paragraphe f. ci-dessus)

**PROTECTION** : yeux, mains, visage, oreilles et corps.

### POUR ÉVITER D'ÊTRE HAPPÉ PAR L'OUTIL EN ROTATION :

**NE PORTEZ PAS :** de gants lâches  
de cravate  
de vêtements lâches  
de bijoux

**FAITES CECI :** ATTACHEZ VOS CHEVEUX LONGS  
DERRIÈRE VOTRE DOS.  
REMONTÉZ VOS MANCHES LONGUES  
AU-DESSUS DU COUDE.

« CONSERVEZ CES INSTRUCTIONS »

## Sécurité



**AVERTISSEMENT** « LISEZ TOUTES LES INSTRUCTIONS » — L'utilisateur qui négligerait de suivre les CONSIGNES DE SÉCURITÉ précédées d'un point noir (•) ci-dessous et de prendre d'autres précautions élémentaires risquerait de subir de graves blessures.

**a.** Si un élément quelconque de votre scie est absent, fonctionne mal ou a été endommagé ou cassé ... comme l'interrupteur du moteur ou une autre commande affectant le fonctionnement, un mécanisme de sécurité ou le cordon d'alimentation ... cessez immédiatement de vous servir de la scie jusqu'à ce que l'élément en question ait été réparé de façon appropriée ou remplacé.

**b.** Porter des lunettes de sécurité et un écran facial si l'opération est poussiéreuse. Portez des bouchons d'oreille ou des oreillères pour les utilisations de longue durée. Il se peut que des petits morceaux de bois ou autres objets soient éjectés à grande vitesse en direction de l'opérateur s'ils touchent l'arrière de la lame en rotation. On peut en général éviter ce problème en laissant le capot et l'écarteur en place lors de toute opération de « SCIAGE DÉBOUCHANT » (la lame de scie traverse complètement la pièce) ET en débarrassant la table de toutes les chutes à l'aide d'un long bâton de bois IMMÉDIATEMENT après le sciage.

**c.** Il ne faut JAMAIS mettre la scie en MARCHÉ avant d'avoir débarrassé la table de tout outil, chutes de bois etc. Il ne faut y laisser que la pièce à scier et les éléments de poussage ou de support nécessaires à l'opération envisagée.

**d.** Ne placez JAMAIS le visage ou le corps en face de l'outil de coupe.

- Ne placez JAMAIS les mains ou les doigts sur la trajectoire de la lame de scie ou autre outil de coupe.

- Ne passez JAMAIS la main au-dessus de l'outil de coupe pour tenir ou supporter la pièce, pour enlever des chutes ou pour toute autre raison. Évitez les opérations inconfortables et évitez de tenir la pièce de telle manière qu'en cas de glissement subit, les mains ou les doigts passeraient dans la lame de scie ou autre outil de coupe.

- Il ne faut PAS effectuer d'opération à « MAIN LEVÉE » – Il faut toujours se servir du guide pour positionner et guider la pièce que ce soit pour refendre ou pour scier transversalement.

- Il ne faut JAMAIS tenir ou toucher « l'extrémité libre » de la pièce ou une « pièce libre » qui est sciée tant que la scie est SOUS TENSION ou que la lame tourne.

- ARRÊTEZ la scie et débranchez le cordon avant de démonter la plaque amovible de la table, de changer l'outil de coupe ou d'effectuer des réglages.

- Servez-vous d'un support adéquat à l'arrière et sur les côtés de la table de scie pour les pièces longues ou larges.

- Vous pouvez scier les matières plastiques ou les matériaux composites (comme les panneaux durs) avec votre scie. Cependant, comme ces matériaux sont en général durs et glissants, il se peut que les taquets anti-rebond ne puissent pas les empêcher de rebondir. Il convient donc d'être très attentif et de bien suivre les méthodes de réglage et de sciage correctes pour refendre. Il ne faut jamais se tenir, ou laisser qui que ce soit se tenir, dans la trajectoire d'un rebond éventuel.

**f.** Si on cale la lame de scie ou si on la coince dans la pièce, il faut ARRÊTER la scie, enlever la pièce de la lame et vérifier que la lame de scie est parallèle aux rainures ou aux fentes de la table et que l'écarteur est correctement aligné par rapport à la lame de scie. Si le coincement s'est produit lors de sciage en long, vérifiez que le guide de sciage en long est parallèle à la lame de scie. Refaites les réglages si nécessaire.

**g.** Lors du sciage transversal, il ne faut JAMAIS grouper les pièces devant la lame de scie (soit empilées verticalement, soit positionnées horizontalement sur la table) et les pousser ensemble sous la lame. Il

y a risque que la lame happe une ou plusieurs des pièces et se coince ou que vous perdiez le contrôle et que vous vous blessiez.

**h.** N'enlevez PAS les petites chutes qui se coincent parfois à l'intérieur du capot de lame pendant que la scie tourne. Vous risquez de vous couper ou de provoquer un rebond. ARRÊTEZ la scie et attendez que la lame cesse de tourner.

### FAMILIARISEZ-VOUS AVEC VOS OUTILS COUPANTS

Si les outils coupants sont émoussés, collants, affûtés incorrectement ou mal réglés, ils peuvent éventuellement coller au matériau, provoquer un coincement, caler la scie ou produire un rebond vers l'opérateur. Minimisez le risque de blessure éventuelle en entretenant correctement la machine et les outils. NE TENTEZ JAMAIS DE LIBÉRER LA LAME APRÈS CALAGE SANS AVOIR AU PRÉALABLE ARRÊTÉ LA SCIE.

**a.** Il ne faut JAMAIS utiliser de meules, de disques abrasifs, de roues de friction (lames à refendre les métaux), de brosse métallique ou de disques à polir.

**b.** UTILISEZ EXCLUSIVEMENT LES ACCESSOIRES RECOMMANDÉS.

**d.** Assurez-vous que l'outil de coupe tourne dans le sens de la flèche située sur le capot supérieur. Assurez-vous également que l'outil de coupe, les bagues et l'écrou d'arbre sont montés correctement. Positionnez l'outil aussi bas que le permet l'opération à effectuer. Autant que possible, laissez tous les capots en place.

- Il ne faut jamais utiliser une lame ou autre outil de coupe marqué pour une vitesse nominale inférieure à 11 000 tours/min. Il ne faut jamais utiliser un outil de coupe de diamètre supérieur à celui pour lequel la scie a été conçue. Pour maximiser le rendement et la sécurité lors du sciage en long, servez-vous d'une lame dont le diamètre correspond au maximum qui est prévu pour la scie car dans ce cas l'écarteur se trouve au plus près de la lame.

**e.** Assurez-vous que la plaque amovible de la table est au ras ou légèrement en dessous de la surface de la table sur toute sa périphérie sauf à l'arrière. Il ne faut JAMAIS utiliser la scie sans une plaque amovible appropriée.



**AVERTISSEMENT** Les travaux à la machine tel que ponçage, sciage, meulage, perçage et autres travaux du bâtiment peuvent créer des poussières contenant des produits chimiques qui sont des causes reconnues de cancer, de malformation congénitale ou d'autres problèmes reproductifs. Ces produits chimiques sont, par exemple :

- Le plomb provenant des peintures à base de plomb,
- Les cristaux de silices provenant des briques et du ciment et d'autres produits de maçonnerie, et
- L'arsenic et le chrome provenant des bois traités chimiquement

Le niveau de risque dû à cette exposition varie avec la fréquence de ces types de travaux. Pour réduire l'exposition à ces produits chimiques, il faut travailler dans un lieu bien ventilé et porter un équipement de sécurité approprié tel que certains masques à poussière conçus spécialement pour filtrer les particules microscopiques.

- Il existe des consignes de sécurité supplémentaires pour les opérations particulières de la scie dans la section relative au fonctionnement. Lisez le reste du manuel pour une utilisation sûre de la scie.

« CONSERVEZ CES INSTRUCTIONS »

# Sécurité

**AVERTISSEMENT** « LISEZ TOUTES LES INSTRUCTIONS » — L'utilisateur qui négligerait de suivre les CONSIGNES DE SÉCURITÉ précédées d'un point noir (•) ci-dessous et de prendre d'autres précautions élémentaires risquerait de subir de graves blessures.

- **Ne laissez pas la familiarité tirée d'une utilisation fréquente de votre scie à parquet atténuer votre vigilance.** N'oubliez jamais qu'une fraction de seconde d'insouciance suffit à causer des blessures graves.
- **PENSEZ EN TERMES DE SÉCURITÉ. LA SÉCURITÉ EST UNE COMBINAISON DE BON SENS, DE CONNAISSANCE DES CONSIGNES DE SÉCURITÉ ET DE FONCTIONNEMENT, ET DE VIGILANCE CONSTANTE DE LA PART DE L'OPÉRATEUR LORS DE L'UTILISATION DE LA SCIE A PARQUET.**

**AVERTISSEMENT** LES AVERTISSEMENTS CI-APRÈS SE TROUVENT SUR VOTRE OUTIL. CES AVERTISSEMENTS NE SONT QU'UNE FORME CONDENSÉE DES RÈGLES ET PRÉCAUTIONS DE SÉCURITÉ PLUS DÉTAILLÉES QUI APPARAISSENT DANS VOTRE MANUEL. ELLES SERVENT À VOUS RAPPELER TOUTES LES RÈGLES DE SÉCURITÉ NÉCESSAIRES À UNE UTILISATION SÛRE DE CETTE SCIE A PARQUET.

**AVERTISSEMENT** IF PUSH STICK CAN NOT BE USED WHEN RIPPING EXTREMELY NARROW WORKPIECE, USE A PIECE OF SCRAP WOOD TO PUSH THE WORKPIECE TO COMPLETE THE RIPPING OPERATION.

**ADVERTENCIA** SI EL PALO DE EMPUJAR NO SE PUEDE UTILIZAR CUANDO SE CORTA AL HILO UNA PIEZA DE TRABAJO SUMAMENTE ESTRECHA, UTILICE UN PEDAZO DE MADERA DE DESECHO PARA EMPUJAR LA PIEZA DE TRABAJO CON EL FIN DE COMPLETAR LA OPERACIÓN DE CORTE AL HILO.

**AVERTISSEMENT** SI VOUS NE POUVEZ PAS UTILISER DE POUSSOIR POUR REFEINDRE UN OUVRAGE EXTRÊMEMENT ÉTROIT, UTILISEZ UN MORCEAU DE BOIS POUR POUSSER L'OUVRAGE AFIN DE COMPLÉTER L'OPÉRATION DE REFEINTE.

**WARNING**

WHEN RIPPING:  
 - PUSH THE WORKPIECE ONLY ON THE FENCE SIDE OF THE BLADE  
 - NEVER PLACE YOUR NON-PUSHING HAND ON THE WORKPIECE BEYOND THE MID-POINT OF THE BLADE  
 - FENCE MUST BE PARALLEL TO THE BLADE  
 - USE "PUSH-STICK" OR "PUSH BLOCK" ON NARROW WORKPIECES  
 - ADJUST THE ANTI-KICKBACK PAWL TO ENSURE IT CONTACTS THE TABLE.

**ADVERTENCIA**

CUANDO CORTE AL HILO:  
 - EMPUJE LA PIEZA DE TRABAJO SOLAMENTE SOBRE EL LADO DE LA HOJA CORRESPONDIENTE AL TOPE-GUÍA  
 - NO PONGA NUNCA LA MANO QUE NO ESTÉ USANDO PARA EMPUJAR SOBRE LA PIEZA DE TRABAJO MÁS ALLÁ DEL PUNTO CENTRAL DE LA HOJA  
 - EL TOPE-GUÍA DEBE ESTAR PARALELO A LA HOJA  
 - USE UN "PALO DE EMPUJAR" O UN "BLOQUE DE EMPUJAR" EN EL CASO DE PIEZAS DE TRABAJO ESTRECHAS  
 - AJUSTE EL TRINQUETE ANTIRRETROCESO PARA ASEGURARSE DE QUE HAGA CONTACTO CON LA MESA.

**AVERTISSEMENT**

EN CAS DE COUPE EN LONG :  
 - NE Poussez L'OUVRAGE QUE DU CÔTÉ DE LA LAME FAISANT FACE AU GUIDE LONGITUDINAL  
 - NE PLACEZ JAMAIS VOTRE MAIN QUI NE Pousse PAS L'OUVRAGE SUR CELUI-CI AU-DELÀ DU POINT MÉDIAN DE LA LAME  
 - LE GUIDE DOIT ÊTRE PARALLÈLE À LA LAME  
 - UTILISEZ UN BLOC DE BOIS OU UN « POUSSOIR » POUR FAIRE AVANCER LES OUVRAGES ÉTROITS  
 - AJUSTEZ LE CLIQUET DE PROTECTION CONTRE LES CHOC EN RETOUR POUR ASSURER QU'IL EST BIEN EN CONTACT AVEC LA TABLE.

**WARNING**

WHEN CROSSCUTTING:  
 - USE MITER GAUGE FOR CROSSCUTTING.  
 - HOLD OR CLAMP WORKPIECE AGAINST BASE AND FENCE.  
 - WITH THE MOTOR OFF, MAKE A DRY-RUN TO BE AWARE OF THE BLADE'S REACH.  
 - MOVE ANTI-KICKBACK PAWL ABOVE THE WORKPIECE.  
 - RETURN CARRIAGE TO THE FULL REAR POSITION AFTER EACH CROSSCUT OPERATION.

**ADVERTENCIA**

CUANDO CORTE TRANSVERSALMENTE:  
 - USE EL CALIBRE DE INGLETES PARA CORTAR TRANSVERSALMENTE.  
 - FIJE CON ABRAZADERAS O SUJETE LA PIEZA DE TRABAJO CONTRA LA BASE Y EL TOPE-GUÍA.  
 - CON EL MOTOR APAGADO, HAGA UNA PASADA EN VACÍO PARA CONOCER EL ALCANCE DE LA HOJA.  
 - MUEVA EL TRINQUETE ANTIRRETROCESO HASTA UBICARLO ENCIMA DE LA PIEZA DE TRABAJO.  
 - RETORNE EL CARRO A LA POSICIÓN COMPLETAMENTE TRASERA DESPUÉS DE CADA OPERACIÓN DE CORTE TRANSVERSAL.

**AVERTISSEMENT**

EN CAS DE COUPE TRANSVERSALE :  
 - UTILISEZ UN GUIDE D'ONGLET POUR EFFECTUER UNE COUPE TRANSVERSALE  
 - MAINTENEZ (AU BESOIN AVEC UNE BRIDE) L'OUVRAGE CONTRE LA BASE ET LE GUIDE  
 - AVEC LE MOTEUR À L'ARRÊT (OFF), FAITES TOURNER LA LAME POUR AVOIR UNE IDÉE DE SA PORTÉE  
 - DÉPLACEZ LE CLIQUET DE PROTECTION CONTRE LES CHOC EN RETOUR EN DESSUS DE L'OUVRAGE  
 - REMETTEZ LE CHARIOT DANS LA POSITION LA PLUS EN ARRIÈRE POSSIBLE APRÈS CHAQUE OPÉRATION DE COUPE TRANSVERSALE.

**AVERTISSEMENT** Pour votre propre sécurité – Lisez et comprenez le mode d'emploi avant de vous servir de la scie. ▲ Portez des lunettes de sécurité, des bouches-oreilles et un masque contre les poussières suivant les besoins. Sachez comment éteindre l'outil en cas d'urgence. ▲ Utilisez toujours le protège-lame avec l'extenseur. L'extenseur doit être aligné avec la lame et les cliquets de protection contre les chocs en retour doivent être affûtés et à ressort. ▲ Ajustez le dispositif de retenue pour qu'il soit à la hauteur appropriée. ▲ Sachez comment éviter le risque de « choc en retour ». N'appuyez pas l'ouvrage contre le côté de la lame en rotation. ▲ Ne vous tenez pas devant une lame de scie en rotation. Maintenez votre corps et gardez les mains de l'un des côtés de la lame. Ne vous penchez jamais au-dessus de la lame ou autour de celle-ci. ▲ Débranchez la scie de sa prise d'alimentation électrique avant de changer la lame ou d'effectuer une opération de maintenance. Il ne faut faire aucun réglage avant que l'outil ne soit complètement à l'arrêt. ▲ Ne laissez pas de résidus de matériau détachés se coincer entre la lame en rotation et le guide de coupe. ▲ Ne retirez jamais de morceaux de matériaux coincés ou détachés avant que la lame ne se soit complètement arrêtée. ▲ N'effectuez pas de coupe « à main libre ». ▲ Assujettissez solidement la base de l'outil à un établi ou à une autre surface stable. ▲ Ne laissez pas de sciure s'accumuler sur la scie pour éviter tout risque d'incendie. ▲ Lorsque vous remplacez des pièces, n'utilisez que des pièces de rechange identiques. ▲ Pour éviter un choc électrique, n'exposez pas l'outil à la pluie et ne l'utilisez pas dans des endroits humides. ▲ Employez une lame de scie permettant une rotation nominale de 11 000/mn ou plus. ▲ Si le protège-lame ne fonctionne pas normalement, faites-le réparer. ▲ Après avoir éteint la scie (mise en position OFF), attendez que la lame s'arrête complètement avant de retirer les résidus de matériau détachés ou de changer un réglage.


« CONSERVEZ CES INSTRUCTIONS »

# Spécifications du moteur et spécifications électriques

## Spécifications générales

Tension nominale ..... 120 V, 60 Hz  
 Débit nominal en ampères ..... 7 A  
 Vitesse à vide .....  $n_0$  11 000/min  
 Dimensions de la table ..... 27 po x 17-3/4 po

## Outils à double isolement

Le double isolement  est un principe de conception des outils électriques qui permet d'éviter d'utiliser un cordon à trois fils avec terre ainsi qu'un système d'alimentation avec terre. Ce système est homologué et approuvé par Underwriter's Laboratories, CSA, ainsi que l'agence fédérale de la sécurité du travail américaine : OSHA..

**IMPORTANT** : l'entretien et la réparation d'un outil à double isolement nécessitent des précautions ainsi que la connaissance du système et ils ne doivent être effectués que par un technicien d'entretien qualifié.

LORS DES RÉPARATIONS, UTILISEZ EXCLUSIVEMENT DES PIÈCES DE RECHANGE IDENTIQUES.

**PRISES POLARISÉES.** Pour réduire le risque de chocs électriques, votre outil est muni d'une fiche polarisée (une des broches est plus large que l'autre), cette fiche ne peut être insérée dans une prise polarisée que dans un seul sens. Si la fiche ne s'enfonce pas complètement dans la prise, retournez-la. Si elle ne s'enfonce toujours pas, contactez un électricien qualifié pour faire installer une prise correcte. Pour réduire le risque de chocs électriques, il ne faut jamais modifier la fiche.

## Rallonges

Remplacez immédiatement toute rallonge endommagée. L'utilisation de rallonges endommagées risque de provoquer un choc électrique, des brûlures ou l'électrocution.

Utilisez toujours une rallonge appropriée. En cas de besoin d'une rallonge, utilisez un cordon de calibre satisfaisant pour éviter toute chute de tension, perte de courant ou surchauffe. Le tableau ci-contre indique le calibre des rallonges recommandées en fonction de leur longueur et de l'intensité indiquée sur la plaque du constructeur de l'outil. En cas de doute, optez pour le prochain calibre inférieur. Utilisez toujours des rallonges homologuées par l'U.L. et l'ACNOR.

### DIMENSIONS DE RALLONGES RECOMMANDÉES OUTILS EN 120 VOLTS ALTERNATIF

Intensité nominale de l'outil	Calibre A.W.G				Section des fils en mm <sup>2</sup>			
	Longueur en pieds				Longueur de la rallonge en mètres			
	25	50	100	150	15	30	60	120
3-6	18	16	16	14	0,75	0,75	1,5	2,5
6-8	18	16	14	12	0,75	1,0	2,5	4,0
8-10	18	16	14	12	0,75	1,0	2,5	4,0
10-12	16	16	14	12	1,0	2,5	4,0	—
12-16	14	12	—	—	—	—	—	—

**REMARQUE** : plus le calibre est petit, plus le fil est gros.

« CONSERVEZ CES INSTRUCTIONS »

## Table des matières

Consignes générales de sécurité.....	22	Utilisation .....	36-40
Règles de sécurité supplémentaires .....	23-26	Propreté de l'aire de travail.....	36
Spécifications du moteur et spécifications électriques.....	27	Embout d'évacuation de la sciure.....	36
Table des matières .....	28	Bouton de blocage de l'ensemble de sciure.....	36
Glossaire terminologique .....	29	Bouton poussoir.....	36
Déballage et inspection du contenu.....	30	Interrupteur à gâchette.....	36
Familiarisez-vous avec votre sciure à parquet .....	31	Coupe d'onglet .....	37
Assemblage et réglages.....	32-34	Position du corps et des mains .....	37
Alignement du guide de sciage en long .....	32	Support de la pièce .....	37
Réglage de l'aiguille du guide de sciage en long .....	32	Réalisation d'une coupe d'onglet .....	38
Démontage et installation de la lame .....	33	Coupes spéciales .....	38
Alignement du couteau diviseur .....	34	Sciage en long .....	39
Fixation sur établi .....	35	Entretien de votre sciure à parquet .....	41
Fixation sur contreplaqué .....	35	Dépannage .....	41

## Glossaire terminologique

**ARBRE**

L'arbre sur lequel la lame est montée.

**COUPE TRANSVERSALE**

Une opération de sciage ou de toupillage qui s'effectue en travers de la pièce pour la mettre à longueur.

**EXTREMITE AVANT**

Lors du sciage en long, l'extrémité de la pièce qui entre en contact avec la lame en premier.

**GOMME**

Un résidu collant à base de résine qu'on trouve dans le bois. Une fois durcie elle est appelée **RÉSINE SOLIDE**.

**MAIN LEVEE**

Effectuer un sciage sans guide, calibre à onglets, montage, dispositif d'immobilisation ou autre dispositif approprié pour empêcher la pièce de pivoter pendant le sciage.

**PIECE**

L'article sur lequel on effectue l'opération de sciage. Les surfaces d'une pièce sont généralement appelées faces, extrémités et chants.

**POUSSOIR**

Un dispositif qui sert à faire avancer la pièce vers la scie lors du sciage en long de pièces étroites et qui permet à l'opérateur de placer ses mains à distance de la lame. Servez-vous du poussoir pour refendre des pièces dont la largeur est inférieure à 6 pouces et supérieure à 2 pouces.

**REBOND**

Quand la pièce est saisie et éjectée de manière inattendue vers l'avant de la scie pendant le sciage en long.

**SCIAGE EN LONG**

Une opération de sciage parallèle à la longueur de la pièce pour la mettre à largeur.

**TALONNAGE**

Misalignement de la lame qui résulte en ce que sa partie arrière ou de sortie touche la surface sciée de la pièce. Le talonnage peut provoquer des rebonds, un coincement, une force excessive, le brûlage de la pièce ou des éclats. En général, le talonnage résulte en des coupes de mauvaise qualité et peut présenter un danger pour la sécurité

**TAQUETS ANTI-REBOND**

Dispositif qui, s'il est correctement entretenu, est conçu pour empêcher la pièce de rebondir vers l'opérateur pendant le sciage.

**TOURS PAR MINUTE (R.P.M.)**

Le nombre de révolutions effectuées par un objet en rotation pendant une minute.

**VOIE**

La quantité de matière enlevée par la lame dans une coupe débouchante ou la largeur de la rainure produite par la lame dans une coupe partielle ou non débouchante.



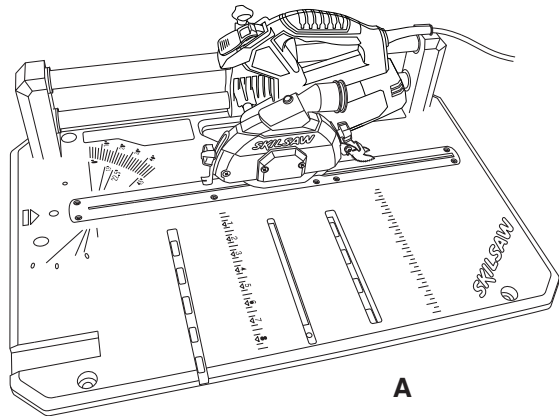
## Déballage et vérification du contenu

**AVERTISSEMENT** Pour réduire le risque de blessure, il ne faut jamais brancher la fiche sur une prise d'alimentation électrique avant d'avoir terminé toutes les étapes d'assemblage, d'avoir lu la notice d'utilisation au complet et de l'avoir entièrement comprise.

La scie à parquet modèle 3600 est vendue complète dans un seul carton.

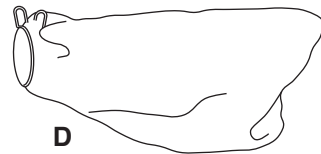
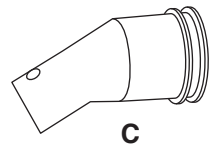
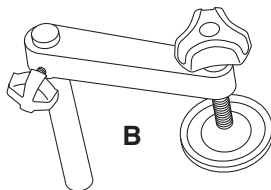
Déballage et vérification du contenu. Séparez les matériaux d'emballage de toutes les pièces et vérifiez ces dernières en vous reportant au « Tableau des pièces en vrac » pour vous assurer que tous les articles sont présents avant de jeter les matériaux d'emballage.

**AVERTISSEMENT** Au cas où une pièce venait à manquer, ne tentez pas d'assembler la scie, de brancher le cordon d'alimentation ou de mettre la scie en marche avant d'avoir obtenu et installé les pièces manquantes.



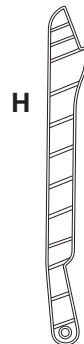
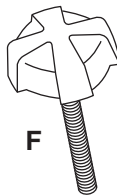
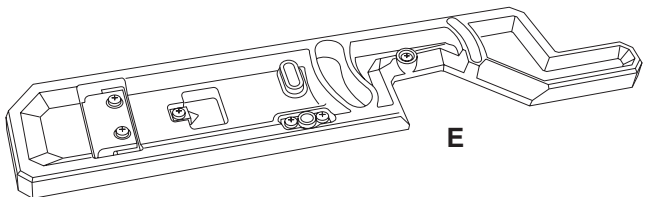
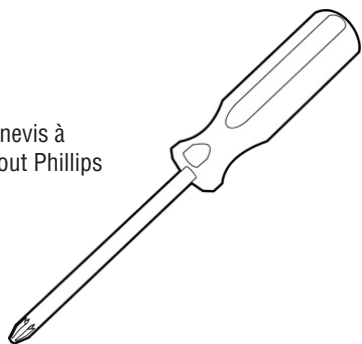
### Tableau des pièces en vrac

ARTICLE	DESCRIPTION	QTE
A	Scie à parquet	1
B	Ensemble de bride	1
C	Embout d'évacuation de la sciure	1
D	Sac à poussière	1
E	Guide	1
F	Bouton du guide	1
G	Clé (sous la table)	1
H	Poussoir (sous la table)	1

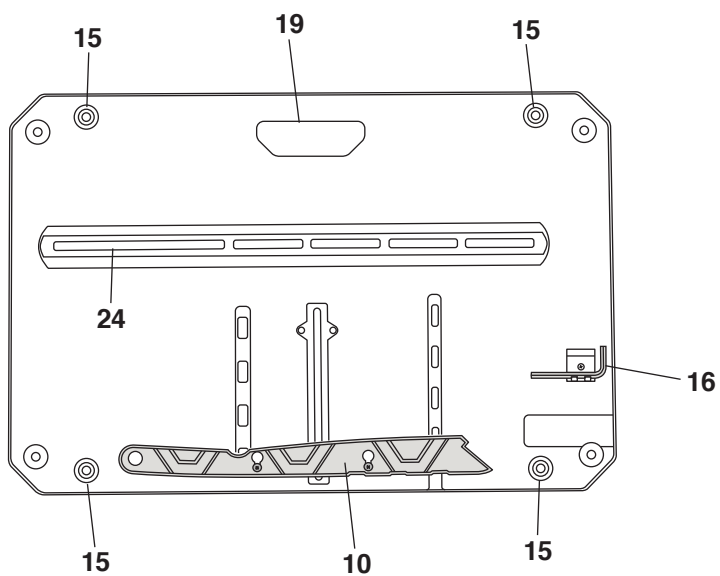
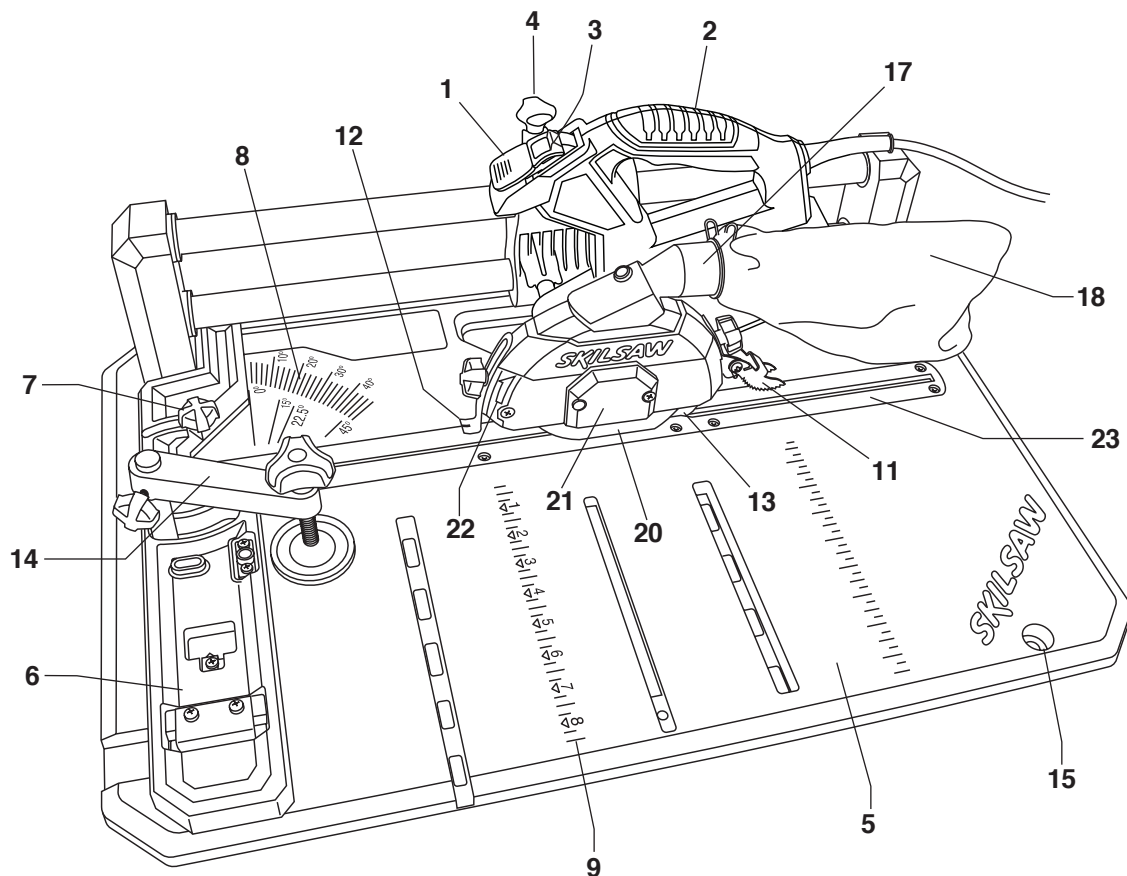


### Outils supplémentaires nécessaires à l'assemblage

Tournevis à embout Phillips



## Familiarisez-vous avec votre scie à parquet



**Dessous de la table**

1. Bouton poussoir
2. Poignée
3. Clé de sécurité (amovible)
4. Bouton de blocage de l'ensemble de scie
5. Table
6. Guide
7. Bouton de blocage du guide
8. Échelle angulaire
9. Échelle de sciage en long
10. Rangement du poussoir
11. Taquets anti-rebond
12. Support d'immobilisation avant
13. Écarteur / couteau diviseur
14. Bride
15. Bossages de fixation de l'outil
16. Clé 6 pans
17. Embout d'évacuation de la sciure
18. Sac de ramassage des poussières
19. Poignée de transport
20. Capot de lame
21. Capot du boulon de lame
23. Flèche du sens de rotation
23. Fente de montage et de démontage de la lame

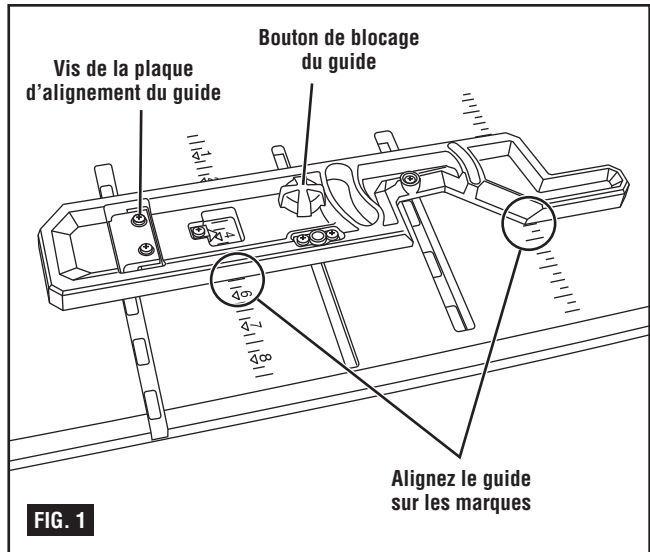
## Assemblage et réglages

**AVERTISSEMENT** Pour réduire le risque de blessure, il ne faut jamais brancher la fiche sur une prise d'alimentation avant d'avoir terminé toutes les étapes d'assemblage.

### Alignement du guide de sciage en long

Voir figure 1.

1. Desserrez le bouton de blocage du guide
2. À l'aide d'un tournevis Phillips, desserrez les vis de la plaque d'alignement du guide.
3. Réglez le guide de manière à ce qu'il soit aligné sur deux marques qui se correspondent.
4. Serrez le bouton de blocage du guide.
5. Resserrez les deux vis de la plaque d'alignement du guide.



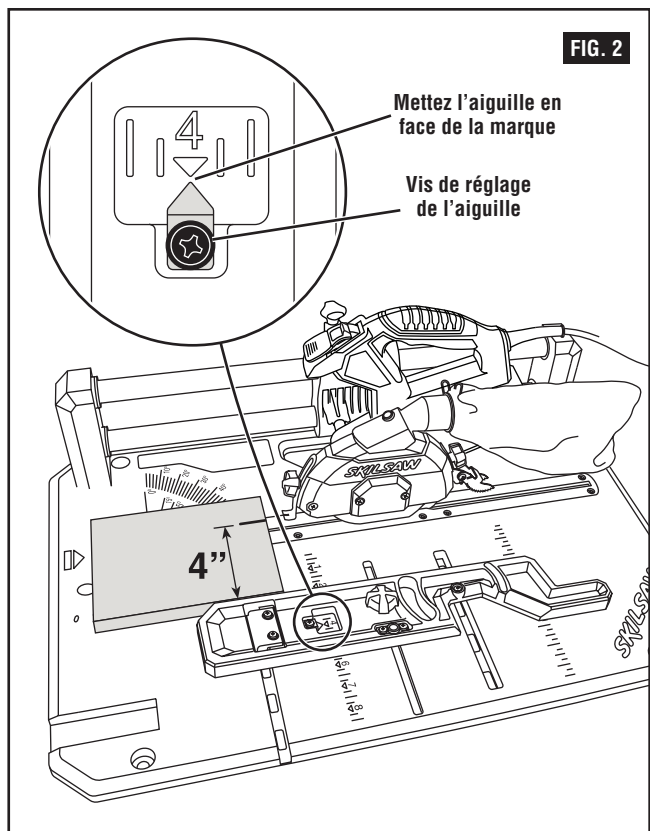
### Réglage de l'aiguille du guide de sciage en long

Voir figure 2.

Pour refendre, on détermine la distance entre le guide et la lame en mettant l'aiguille en face de la valeur désirée de l'échelle.

**Pour régler l'aiguille du guide de sciage en long :**

1. Desserrez le bouton de blocage du guide.
2. Faites coulisser le guide pour l'amener à une distance donnée (par exemple 4 po).
3. Serrez le bouton de blocage du guide.
4. En vous servant d'une petite chute de bois, faites une petite coupe.
5. Mesurez votre coupe. Au besoin, ajustez le guide jusqu'à ce vous obteniez la largeur désirée (4 po).
6. Desserrez la vis de réglage de l'aiguille
7. Mettez l'aiguille en face de la marque de l'échelle (4 po).
8. Resserrez la vis de réglage de l'aiguille.



# Assemblage et réglages

## Démontage et montage de la lame

Voir figures 3 à 6

**AVERTISSEMENT** Pour réduire le risque de blessure corporelle, il faut toujours débrancher la prise de la source d'alimentation avant de changer la lame.

### Utilisation de la lame qui convient

**Cotes de la lame :** 4-3/8 po (110 mm) de diamètre  
Arbre de 3/4 po  
VITESSE DE ROTATION MINI 11 000 tours/min

**IMPORTANT :** La lame de scie fournie avec cet outil à une voie de 0,078 po (2 mm) sur ses dents à pastille carbure et un voile (corps) dont l'épaisseur est de 0,047 po (1,2 mm). Si vous désirez remplacer la lame, choisissez-en une dont les dimensions sont proches de celles de la lame d'origine. Ces données ne sont pas toujours imprimées sur l'emballage des lames. Dans ce cas, reportez-vous au catalogue du fabricant ou à son site Internet. Skill offre une large gamme de lames de scie professionnelles de première qualité qui correspondent aux spécifications de cet outil. Il faut choisir une lame dont la voie est de 0,061 po minimum et dont l'épaisseur du voile (corps) est de 0,057 po au maximum (Fig. 3).

**AVERTISSEMENT** Pour réduire le risque de blessure, il ne faut pas utiliser de lames super fines. La voie de la lame doit être supérieure ou égale à 0,061 po. Les lames de scie super fines (moins de 0,061 po) risquent de provoquer le coincement de la pièce sur le couteau diviseur pendant le sciage. Il est recommandé que la voie de la lame de rechange soit d'au moins 0,061 po.

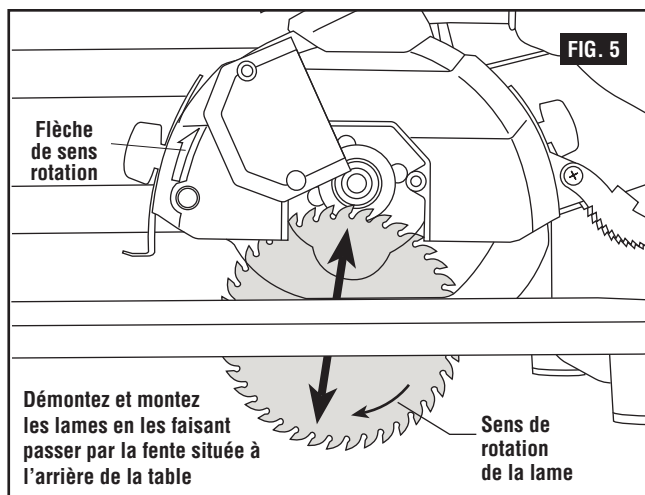
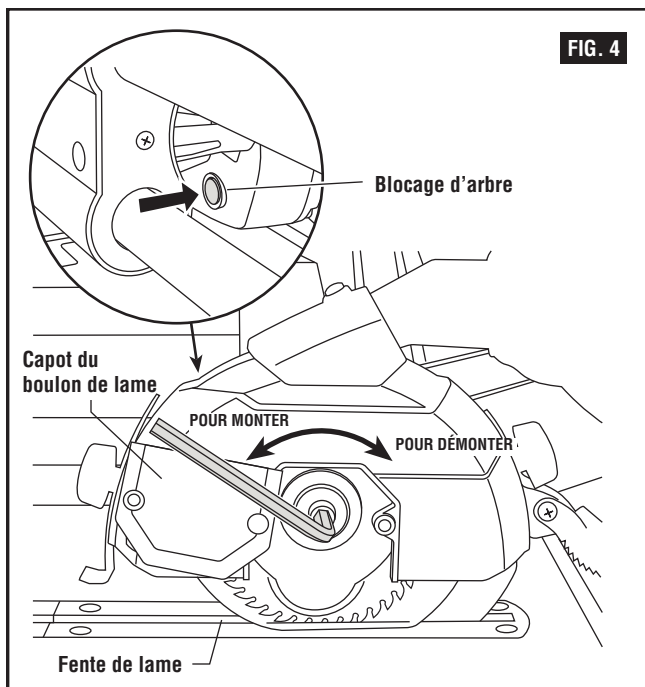
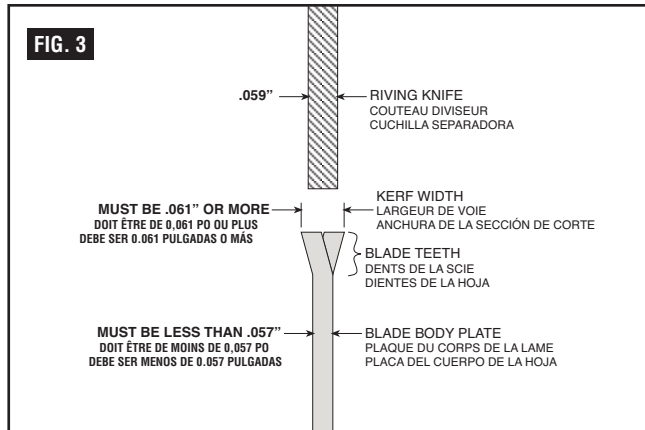
**AVERTISSEMENT** Pour réduire le risque de blessure, il ne faut pas utiliser de lames à voile épais. Si l'épaisseur du voile de la lame de rechange est supérieure à 0,057 po, le couteau diviseur ne réduira pas correctement le risque de rebonds. L'épaisseur du voile de la lame de rechange doit être inférieure à 0,057 po.

### Changement de la lame

**AVERTISSEMENT** Le carbure est un matériau très dur mais cassant. Il faut prendre soin d'éviter tous dommages accidentels. En frappant le bout de la lame, on peut endommager le carbure. Si vous coupez des clous, des fils électriques ou d'autres objets durs incrustés dans l'ouvrage, cela peut endommager les pointes qui pourront se briser ou se détacher. N'utilisez jamais la lame si vous pensez qu'elle est endommagée (cassures, fêlures, pointes prêtes à tomber). Ne l'utilisez jamais sur du métal ou de la maçonnerie.

**REMARQUE :** Nettoyez la lame pour éliminer l'excès d'huile avant son installation.

1. Placez la scie à parquet sur le côté pour pouvoir remplacer la lame plus facilement.
2. Faites coulisser l'ensemble de scie pour l'amener à fond vers l'arrière. C'est la position qui permet de démonter la lame de la scie.
3. À l'aide d'un tournevis à embout Phillips, enlevez la vis arrière du capot de boulon de lame et faites pivoter ce dernier pour dégager le boulon de lame.



## Assemblage et réglages

- Appuyez sur le blocage d'arbre et maintenez-le enfoncé pour verrouiller l'arbre en place. À l'aide de la clé 6 pans (fournie), dévissez le boulon de lame en sens horaire pour l'enlever.

**REMARQUE** : le boulon de lame est fileté à gauche.

- Enlevez le boulon de lame et la bague de lame.
- Enlevez la lame en la faisant glisser vers le bas et en la faisant passer par la pièce amovible fendue. Sortez-la par le dessous de la table.

**REMARQUE** : Il n'est pas nécessaire d'enlever la rondelle interne.

- Installez une lame de 4-3/8 po (110 mm)

**REMARQUE** : assurez-vous que la flèche indiquant le sens de rotation de la lame correspond à celle du capot supérieur.

Pour éviter des blessures, il ne faut pas utiliser une lame de diamètre supérieur ou inférieur à 4-3/8 po (moyeu de 3/4 po).

- Montez la bague de lame dans le bon sens puis montez le boulon de lame. Serrez le boulon de lame à la main. Appuyez sur le blocage d'arbre et serrez le boulon de lame fermement, mais pas trop fort.
- Assurez-vous que le blocage d'arbre est déverrouillé afin que la lame puisse tourner librement.
- Fermez le capot du boulon de lame, insérez la vis arrière puis serrez-la.

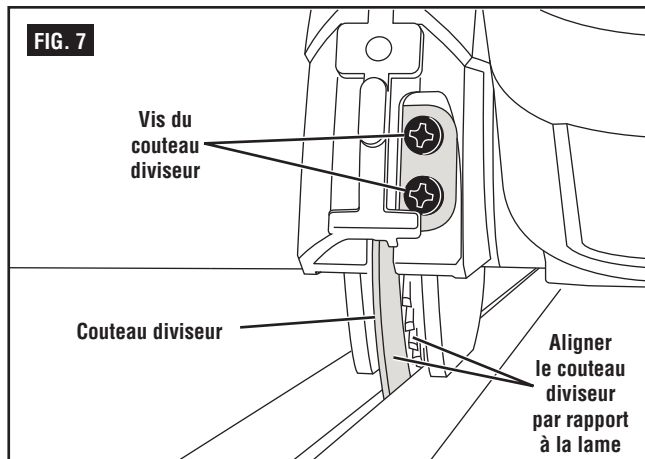
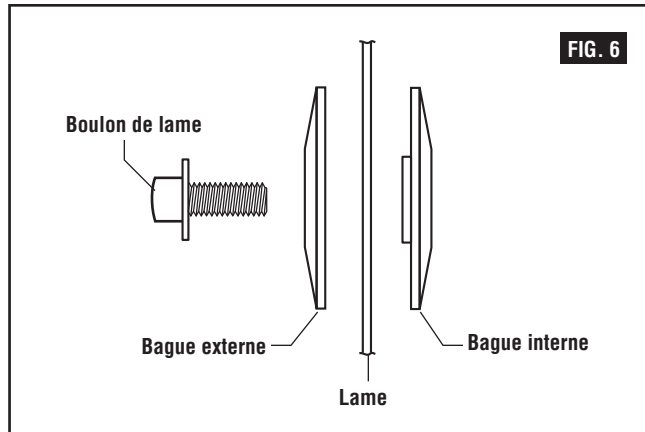
Après le montage de la nouvelle lame, vérifiez qu'elle ne touche ni l'embase ni la structure de la table. Si la lame touche la table, contactez un service agréé.

### Alignement du couteau diviseur

Voir figures 6-7

**AVERTISSEMENT** Débranchez la fiche de la source d'alimentation avant d'effectuer tout assemblage, réglage ou réparation afin d'éviter des blessures éventuelles.

- Enlevez les taquets anti-rebond.
- À l'aide d'un tournevis Phillips, desserrez légèrement les deux vis qui fixent le couteau diviseur au capot de lame.
- Alignez le couteau diviseur par rapport à la lame.
- Resserrez les deux vis du couteau diviseur.



# Assemblage et réglages

## Montage sur établi

Voir figure 8.

Si on désire utiliser la scie dans un emplacement fixe, il convient de la fixer fermement sur un support ferme tel qu'un pied ou un établi en se servant des quatre trous de fixation.

Si on monte la scie sur un établi ou sur un contreplaqué, il faut percer des trous débouchant dans le support et il faut ABSOLUMENT aménager une ouverture de la même taille que celle qui se trouve sous la scie de manière à permettre à la sciure de passer à travers.

Il faut boulonner fermement les quatre trous de fixation à l'aide d'écrous hexagonaux de 5/16 po (non compris). Les vis doivent faire 2 po de plus en longueur que l'épaisseur du dessus d'établi.

1. Positionnez la scie là où vous voulez la fixer et repérez son emplacement.
2. Percez quatre (4) trous débouchant de 3/8 po dans l'établi.
3. Placez la scie sur l'établi et positionnez les trous de l'embase en face de ceux percés dans l'établi.
4. Enfilez quatre (4) vis de 5/16 po et serrez-les.

## Montage sur contreplaqué

Voir figure 9.

Une autre méthode de fixation pour votre scie est de boulonner l'embase de la scie sur un panneau de fixation de 24 po x 24 po minimum pour l'empêcher de basculer pendant l'utilisation. Il est recommandé d'utiliser du contreplaqué de bonne qualité de 3/4 po d'épaisseur minimum.

1. Suivez les instructions de fixation sur établi en remplaçant ce dernier par une planche de 24 po x 33 po minimum et en vous servant de vis à machine à tête fraisée de 5/16 po, de rondelles plates et d'écrous hexagonaux (non compris). La longueur des vis doit être telle qu'elles ne dépassent pas de la surface de la table. Enfilez les vis par le bas à travers de la planche de fixation et des trous de l'embase. Placez des rondelles plates sur les tiges des vis et fixez-les avec des écrous hexagonaux.

**REMARQUE :** Pour que l'ensemble soit stable, il faut fraiser les trous sur le dessous du contreplaqué de manière à ce que les têtes de vis affleurent la surface inférieure de la planche de fixation.

2. Bridez fermement la planche à l'aide d'au moins deux serre-joints comme indiqué.

Il faut examiner soigneusement le support sur lequel on a fixé la scie après montage pour s'assurer qu'il ne peut pas bouger pendant l'utilisation. Si on constate qu'il peut basculer ou qu'il boite, il faut fixer l'établi ou le pied avant d'utiliser la scie.

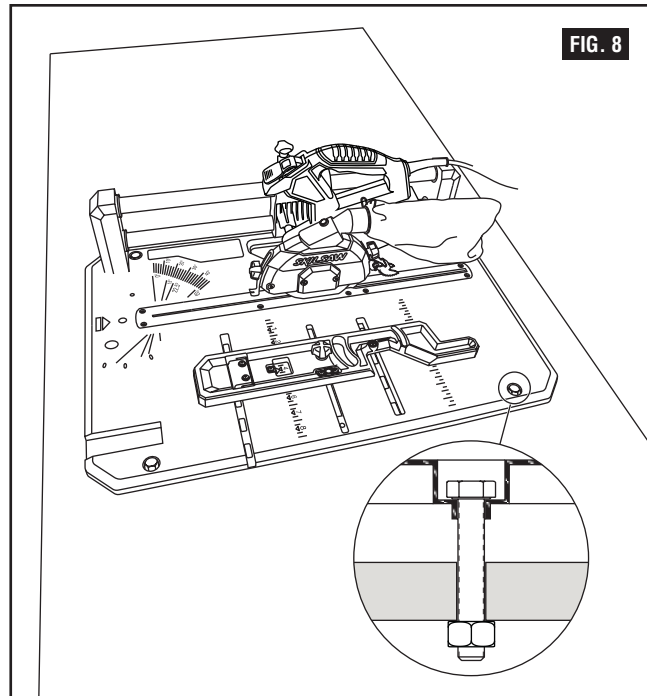


FIG. 8

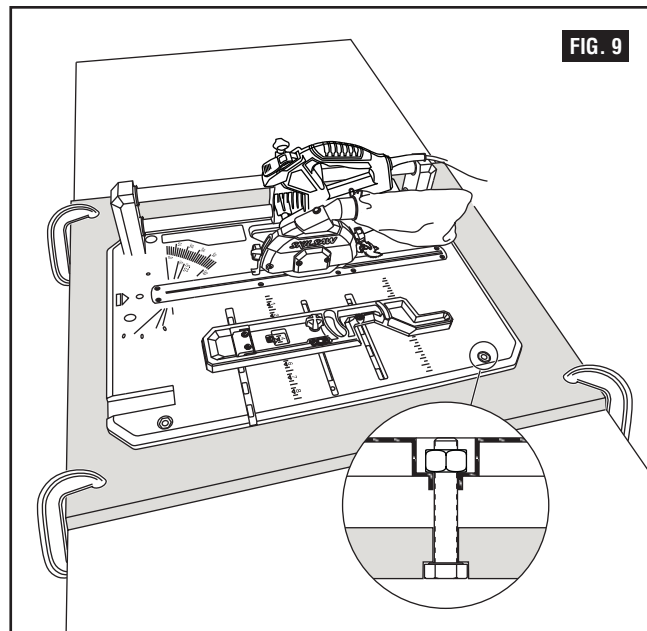


FIG. 9



## Utilisation

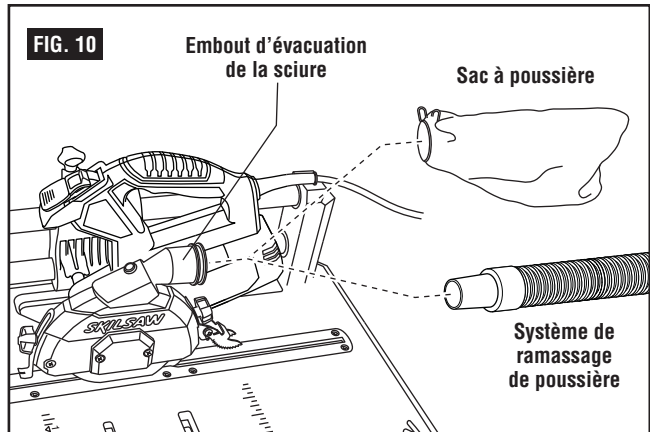
### Propreté de l'aire de travail

La sciure et les copeaux qui tombent sous la scie s'accumulent sur le sol. Prenez l'habitude de les ramasser et de les jeter quand vous avez fini de scier.

### Embout d'évacuation de la sciure

Voir figure 10.

L'embout d'évacuation de la sciure se trouve à l'arrière du capot supérieur. On peut y fixer un système de ramassage de poussière ou un sac à poussière qui contribuera à éliminer la sciure de l'aire de travail. L'embout d'évacuation de la sciure permet de raccorder d'un flexible d'aspiration standard de 1-1/4 po.



### Blocage de l'ensemble de scie

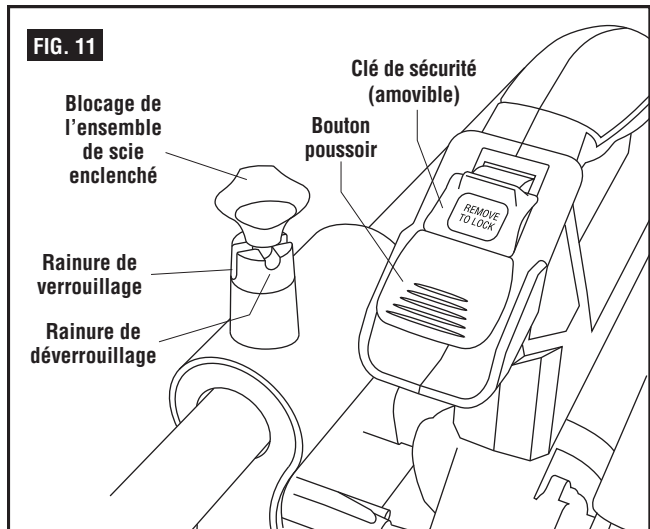
Voir figures 11 & 12.

**AVERTISSEMENT** Pour réduire le risque de blessure, assurez-vous que le bouton poussoir est en position ARRÊT avant de verrouiller la scie pour effectuer une opération de sciage en long.

Le blocage de l'ensemble de scie sert à immobiliser la scie lors du sciage en long.

**Pour enclencher et verrouiller l'ensemble de scie :** tirez sur le bouton de blocage de l'ensemble de scie, faites-le tourner de 90 degrés de manière que la tige de l'arbre soit alignée par rapport à la rainure profonde, puis relâchez le bouton. Faites glisser la scie jusqu'au centre du rail jusqu'à ce que le mécanisme de blocage s'enclenche.

**Pour dégager et déverrouiller l'ensemble de scie :** tirez sur le bouton de blocage de l'ensemble de scie, faites-le tourner de 90 degrés de manière que la tige de l'arbre soit alignée par rapport à la rainure peu profonde, puis relâchez le bouton.



### Bouton poussoir

Voir figure 11.

Le bouton poussoir est doté d'une clé de sécurité amovible pour empêcher toute utilisation non autorisée.

1. Pour mettre l'outil en MARCHE, insérez la clé de sécurité dans le logement du bouton poussoir. Par mesure de sécurité, le bouton poussoir ne peut pas être mis en position de MARCHE sans la clé de sécurité.
2. Faites basculer le bouton poussoir vers le haut pour le mettre dans la position de MARCHE.
3. Pour mettre l'outil à l'ARRÊT, faites basculer le bouton poussoir vers le bas.
4. Pour verrouiller le bouton poussoir dans la position d'ARRÊT, retirez la clé de sécurité du bouton poussoir et rangez-la dans un endroit sûr.

# Utilisation

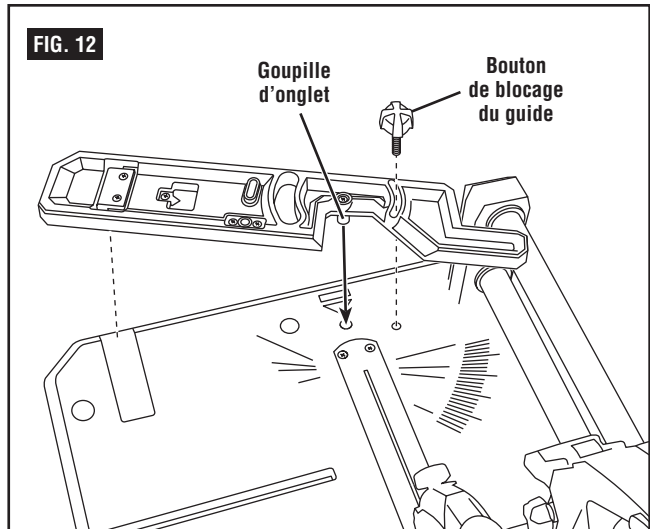
## Coupes d'onglet

On peut effectuer une coupe d'onglet à n'importe quel angle entre 0 et 47°. L'échelle angulaire est moulée dans l'embase pour faciliter sa lecture. Elle est munie de crans à cliquet pour permettre un positionnement rapide et précis aux angles de 0°, 22,5° et 45°.

### Préparation de la scie pour les coupes d'onglet

Voir figure 12.

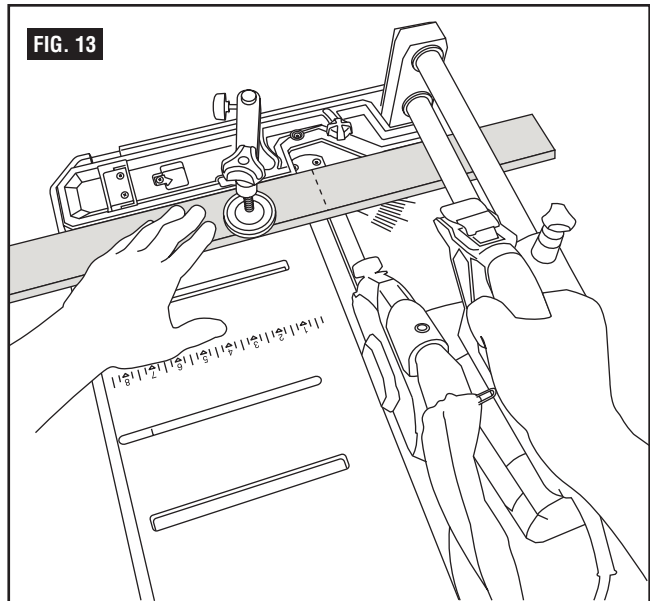
1. Desserrez le bouton de blocage du guide et retirez-le.
2. Placez le guide dans la position de coupe d'onglet en mettant la goupille d'onglet du guide dans le trou situé sur la table.
3. Remettez le bouton de blocage du guide dans le trou fileté.
4. Pour les coupes d'onglet, assurez-vous que les taquets anti-rebonds et le support d'immobilisation avant sont positionnés à fond vers le haut.



### Position du corps et des mains

Voir figure 13.

- Tenez la pièce fermement contre le guide pour l'empêcher de bouger.
- Gardez les mains à distance de la lame et de sa trajectoire de coupe jusqu'à ce que le bouton poussoir soit en position d'arrêt et que la lame ait cessé complètement de tourner.
- Tenez-vous en appui sur les genoux, les pieds fermement ancrés au sol, et maintenez un bon équilibre.
- Si vous suivez un trait, alignez la pièce par rapport à la fente de la plaque amovible.
- Avant de faire une coupe, avec l'alimentation coupée, faites coulisser la scie vers la pièce pour déterminer la trajectoire de la lame.



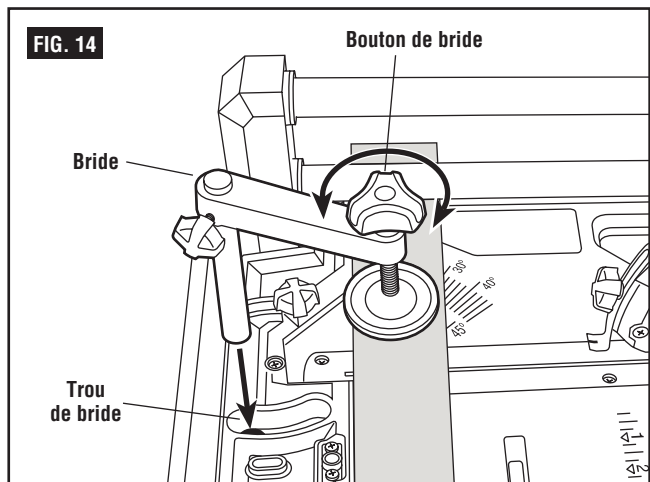
### Support de la pièce

Voir figure 14.

**Bride** – Cette bride permet de facilement fixer une pièce

1. Insérez la tige de la bride dans le trou de bride.
2. Tournez le bouton à vis de la bride en sens horaire pour la serrer et en sens inverse pour la desserrer
3. Faites coulisser l'ensemble de scie pour contrôler le jeu par rapport à la bride.

**Support des pièces longues** – Supportez les pièces longues pour les empêcher de fléchir. Servez-vous d'un morceau de bois de 2 X 4 de section pour supporter les pièces longues.

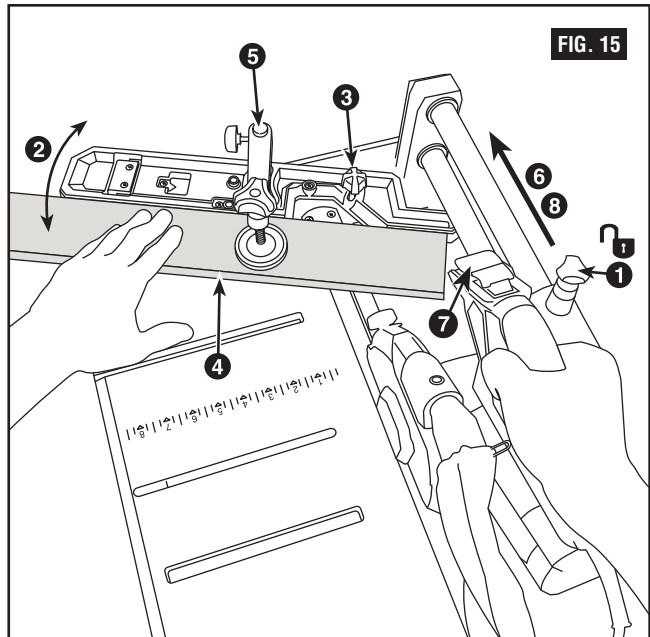


## Utilisation

### Réalisation d'une coupe d'onglet

Voir figure 15.

1. Assurez-vous que le bouton poussoir est dans la position d'arrêt et relâchez le blocage de l'ensemble de scie.
2. Positionnez le guide à l'angle désiré en vous servant des crans ou de l'échelle angulaire.
3. Serrez le bouton de blocage.
4. Positionnez la pièce correctement.
5. Assurez-vous que la pièce est bridée fermement contre la table et le guide. Utilisez une position de bridage qui n'interfère pas avec l'opération à effectuer.
6. Avant de démarrer, faites coulisser l'ensemble de scie pour vous assurer que la bride n'entre pas en collision avec le capot ou l'ensemble de scie.
7. Activez le bouton poussoir.
8. Faites coulisser l'ensemble de scie et effectuez votre coupe.
9. Mettez le bouton poussoir dans la position d'ARRÊT et attendez que la lame cesse complètement de tourner avant de déplacer l'ensemble de scie et/ou de retirer l'ouvrage.



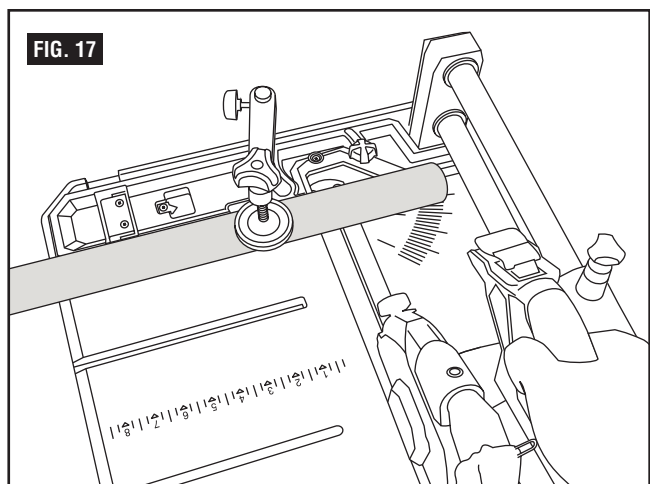
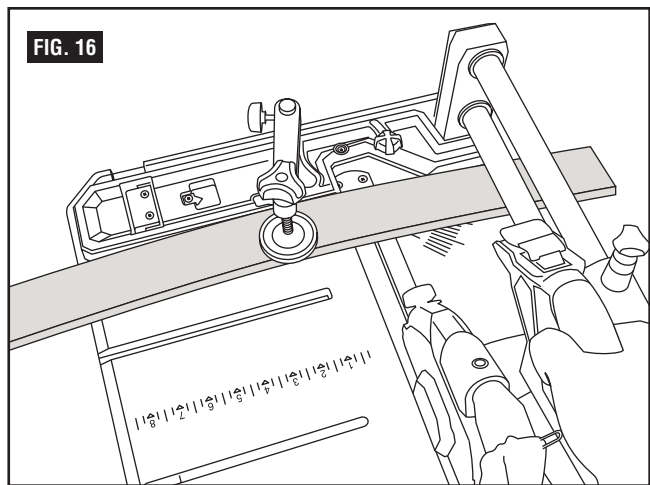
### Coupes spéciales

#### Sciage de pièces bombées

Si la pièce est bombée ou tordue, bridez-la de manière à ce que la face qui est bombée vers l'extérieur soit contre le guide (Figure 16). Assurez-vous toujours qu'il n'y a pas de jeu entre la pièce, le guide et la table au niveau du trait de coupe. Les pièces courbées ou tordues risquent de se vriller ou de se balancer et peuvent éventuellement coincer la lame de scie pendant le sciage.

#### Sciage de pièces rondes ou irrégulières

**Pour les pièces rondes telles que les goujons ou les tubes, il faut toujours utiliser une bride ou un montage conçu pour brider la pièce fermement contre le guide et la table.** Les tiges rondes ont tendance à rouler pendant le sciage, ce qui conduit la lame à mordre dans la pièce et à l'entraîner vers la lame avec votre main. (Figure 17).



## Utilisation

### Utilisation du guide de sciage en long

Le SCIAGE EN LONG est le sciage d'une pièce de bois dans le sens du fil, ou dans le sens de la longueur.

Le SCIAGE EN LONG s'effectue avec le GUIDE DE SCIAGE EN LONG ainsi que le POUSSOIR.

Votre scie à parquet est livrée avec un poussoir. Si vous l'égarez ou s'il est abîmé vous pouvez en fabriquer un autre à l'aide d'une pièce de section 1 X 2 comme indiqué à la figure 18.

Servez-vous du poussoir dans tous les cas où le guide est à 1-3/4 po ou plus de la lame. Servez-vous d'une chute de bois quand le sciage est trop étroit (moins de 1-3/4 po) pour pouvoir se servir d'un poussoir.

Il faut toujours utiliser le poussoir ou une chute de bois plutôt que les mains pour guider la pièce, ce qui doit toujours être effectué entre le guide et la lame.

Quand on utilise un poussoir ou une chute de bois, l'extrémité arrière de la planche doit être d'équerre. Si on se sert d'un poussoir ou d'une chute de bois pour pousser contre une extrémité irrégulière, il risque de glisser et d'écarter la pièce du guide.

Pour votre propre sécurité, il faut toujours observer les précautions de sécurité qui suivent en plus des consignes de sécurité des pages 22 à 26.

N'effectuez jamais ce type de sciage à MAIN LEVÉE (sans utiliser le guide de sciage en long) car la lame risque de se coincer dans le trait de scie et de provoquer un REBOND.

Il faut toujours bloquer fermement le guide de sciage en long quand on s'en sert.

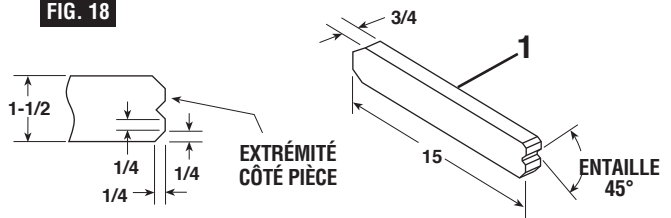
Vérifiez fréquemment le fonctionnement des TAQUETS ANTI-REBOND en faisant passer la pièce le long de l'écarteur quand la scie est à l'ARRÊT.

Tirez la pièce VERS vous. Si les TAQUETS ne s'ENFONCENT pas dans la pièce pour la RETENIR, il faut les REMPLACER. Voir « Entretien » à la page 40.

Ne vous tenez pas directement en face de la lame à cause du risque de REBOND. Tenez-vous de côté par rapport à la lame.

Éloignez les mains de la lame et de sa trajectoire.

FIG. 18



Si la lame cale ou s'arrête pendant le sciage, ARRÊTEZ LA SCIE À L'INTERRUPTEUR avant de tenter de libérer la lame.

Il ne faut jamais passer la main au-dessus ou derrière la lame pour tirer la pièce lors du sciage ... pour supporter des pièces longues ou lourdes ... pour enlever les petites chutes ou pour TOUTE AUTRE RAISON.

Ne ramassez pas les petites chutes sur la table. ENLEVEZ-les en les POUSSANT de la table à l'aide d'un long bâton. Autrement ils risquent d'être éjectés vers vous par la partie avant de la lame.

N'enlevez pas les petites chutes qui se COINCENT parfois dans le capot de lame tant que la scie est en MARCHE. VOUS RISQUEZ DE VOUS COUPER ou de provoquer un REBOND. ARRÊTEZ la scie. Une fois que la lame est à l'arrêt, soulevez le capot et enlevez la pièce.

Si la pièce est tordue, placez le côté CONCAVE vers le BAS. Cela évitera qu'elle n'oscille pendant le sciage.

## Utilisation

### Sciage en long

#### Préparation de la scie pour le sciage en long

Voir figure 19.

1. Positionnez l'ensemble de scie au milieu du rail.
2. Insérez le bouton de blocage de l'ensemble de scie dans le trou du rail et assurez-vous que l'ensemble de scie est immobilisé à sa place.
3. Enlevez le bouton de blocage du guide et retirez ce dernier de la position d'onglet.
4. Placez la pièce filetée sur le côté droit de la table.
5. Positionnez le guide sur la table pour le sciage en long.
6. Remontez le bouton de blocage du guide sur la pièce filetée.
7. Réglez le support d'immobilisation avant à environ 1/16 po au-dessus de la pièce.
8. Abaissez les taquets anti-rebond pour les mettre à leur position la plus basse.

#### Réalisation d'une opération de sciage en long

Voir la Figure 20.

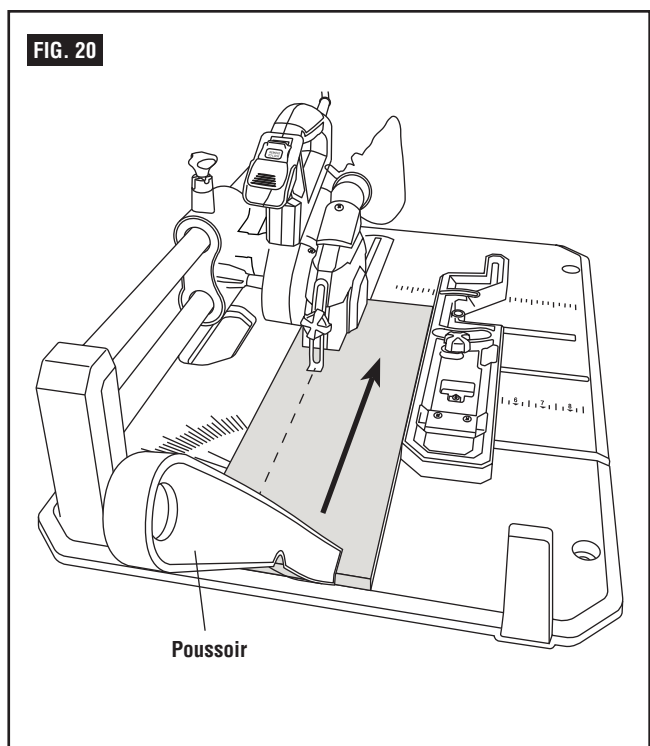
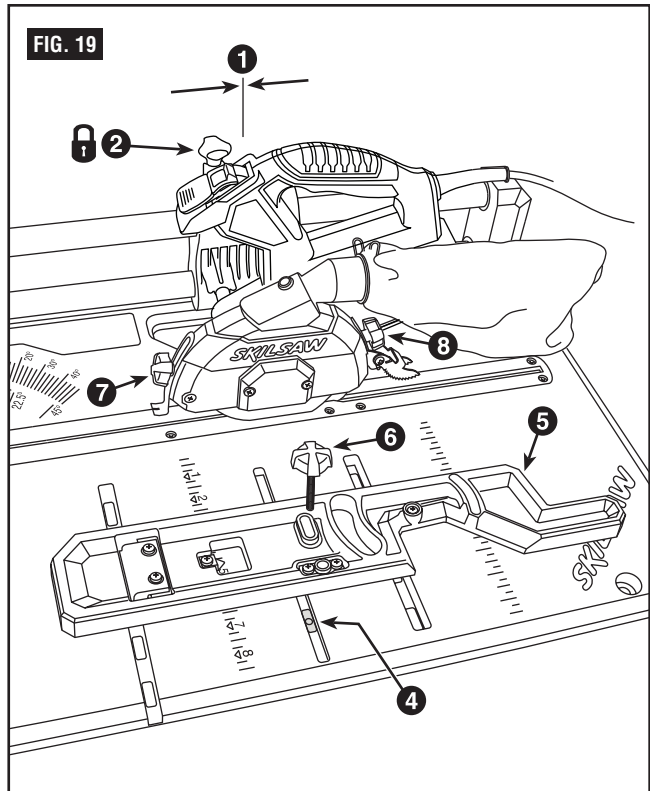
1. Assurez-vous que le bouton poussoir est dans la position d'arrêt et que l'ensemble de scie est dans la position de verrouillage.
2. Placez le guide pour régler la largeur de sciage en long souhaitée et verrouillez-le en place. Avant de commencer le sciage en long, vérifiez que les réglages suivants ont été faits :
  - a. Le guide de sciage en long est parallèle à la lame.
  - b. Le couteau diviseur est correctement aligné par rapport à la lame.
  - c. Les taquets anti-rebond fonctionnent correctement.
3. Mettez la scie en marche et commencer à faire avancer le bois sur la lame, en vous assurant que le bord du bois est contre le guide de sciage en long.

Restez du côté de l'ouvrage à mesure que vous le faites avancer sur la scie pour éviter tout rebond.

Utilisez le poussoir pour terminer la coupe au-delà de la lame. L'utilisation d'un poussoir est essentielle pour aider à assurer la sécurité pendant que vous vous servez de la scie.

Faites avancer le bois sur la lame sans à-coups et à une vitesse constante. Le bois doit avancer sans interruption quand vous réalisez la coupe; un arrêt risquerait de produire une coupe inégale et hachée.

4. Éteignez la scie après que le morceau de bois a été coupé en long. Laissez la lame s'arrêter complètement avant de retirer les morceaux de bois.



# Entretien de votre scie à parquet

## Entretien

**⚠ AVERTISSEMENT** Pour votre propre sécurité, mettez tous les interrupteurs en position ARRÊT et débranchez la fiche de la prise d'alimentation avant tout entretien ou lubrification de votre scie.

Ne laissez pas la sciure s'accumuler à l'intérieur de la scie. Nettoyez-la fréquemment en soufflant la sciure qui s'accumule à l'intérieur du coffret de la scie et du moteur. Nettoyez vos outils de coupe avec un décapant pour gomme et poix.

Essuyez le cordon et l'outil avec un chiffon sec et propre pour empêcher toute détérioration causée par l'huile et la graisse.

**⚠ AVERTISSEMENT** Certains dissolvants et produits de nettoyage peuvent abîmer les pièces en plastique. Parmi ceux-ci on trouve : l'essence, le tétrachlorure de carbone, les solvants de nettoyage chlorés, l'ammoniaque et les détergents domestiques qui en contiennent. Évitez d'utiliser ces produits ou tout autre produit de nettoyage pour minimiser le risque de détérioration.

Appliquez une couche de cire de type automobile sur la table pour que la machine reste propre et pour permettre aux pièces de glisser plus facilement.

Si le cordon est usé ou coupé ou abîmé de quelle manière que ce soit, faites-le remplacer immédiatement.

Assurez-vous que les dents des taquets anti-rebond sont toujours aiguisées. Pour les affûter, retirez les taquets anti-rebond de la scie et affûtez les dents à l'aide d'une petite lime (lime à taille fine)

**⚠ AVERTISSEMENT** Toutes les réparations électriques ou mécaniques ne doivent être tentées que par des agents de réparation qualifiés. Contactez le centre de service d'usine ou la station service agréée la plus proche ou tout autre service de réparation compétent. Utilisez exclusivement des pièces de rechange identiques. Toute autre pièce risque d'engendrer des risques.

## Accessoires

**⚠ AVERTISSEMENT** Utilisez exclusivement les accessoires recommandés. Suivez les instructions qui accompagnent ces accessoires. L'utilisation d'accessoires incorrects risque d'engendrer des risques.

## Dépannage

**⚠ AVERTISSEMENT** Il faut toujours mettre l'interrupteur à la position « arrêt » et débrancher la fiche de la source d'alimentation avant tout dépannage

PROBLÈME	CAUSE	SOLUTION
<b>Ne démarre pas</b>	Le cordon n'est pas branché.	Branchez la machine.
	Le fusible ou le disjoncteur est déclenché.	Remplacez le fusible ou réarmez le disjoncteur.
	Le cordon est abîmé.	Faites remplacer le cordon par un centre de service ou une station service Skil agréée.
	L'interrupteur est grillé.	Faites remplacer l'interrupteur par un centre de service ou une station service Skil agréée.
<b>Ne monte pas en régime</b>	La rallonge est de calibre trop faible ou elle est trop longue.	Remplacez-la par une rallonge adéquate.
	La tension du logement est trop faible.	Contactez votre fournisseur de courant électrique.
<b>Vibration excessive</b>	La lame est mal équilibrée.	Jetez la lame et servez-vous d'une lame différente, voir page 33.
	La scie n'est pas fixée fermement sur le pied ou sur l'établi.	Serrez tous les éléments de fixation.
	Le boulon de lame n'est pas serré.	Voir « Démontage et montage de la lame », page 33.



# Seguridad



**ADVERTENCIA** “LEA TODAS LAS INSTRUCCIONES”. El incumplimiento de las NORMAS DE SEGURIDAD identificadas por el símbolo del PUNTO NEGRO (•) que se indican A CONTINUACION y otras precauciones de seguridad puede dar lugar a lesiones personales graves.

## Normas generales de seguridad para herramientas para tablero de banco

### Area de trabajo

- **Mantenga limpia y bien iluminada el área de trabajo.** Los bancos desordenados y las áreas oscuras invitan a que se produzcan accidentes.
- **No utilice herramientas mecánicas en atmósferas explosivas, tales como las existentes en presencia de líquidos, gases o polvos inflamables.** Las herramientas mecánicas generan chispas y éstas pueden dar lugar a la ignición del polvo o los vapores.
- **Mantenga alejadas a las personas que se encuentren presentes, a los niños y a los visitantes mientras esté utilizando una herramienta mecánica.** Las distracciones pueden hacerle perder el control.
- **Guarde las herramientas que no esté usando fuera del alcance de los niños y otras personas no capacitadas.** Las herramientas son peligrosas en las manos de los usuarios no capacitados.
- **No deje desatendida la herramienta en marcha. Apáguela.** No deje la herramienta hasta que se haya detenido por completo.
- **HAGA EL TALLER A PRUEBA DE NIÑOS** con candados, interruptores maestros o quitando las llaves de arranque.

### Seguridad eléctrica

- **Antes de enchufar la herramienta, asegúrese de que la tensión del tomacorriente es compatible con la tensión especificada en la placa del fabricante dentro de un margen del 10%.** Una tensión del tomacorriente incompatible con la que se especifica en la placa del fabricante puede dar como resultado peligros graves y daños a la herramienta.
- **Las herramientas con aislamiento doble están equipadas con un enchufe polarizado (un terminal es más ancho que el otro). Este enchufe entrará en un tomacorriente polarizado solamente de una manera. Si el enchufe no entra por completo en el tomacorriente, déle la vuelta. Si sigue sin entrar, póngase en contacto con un electricista competente para instalar un tomacorriente polarizado. No haga ningún tipo de cambio en el enchufe.** El aislamiento doble elimina la necesidad de un cordón de energía de tres cables conectado a tierra y de una fuente de energía conectada a tierra.
- **Evite el contacto del cuerpo con las superficies conectadas a tierra, tales como tuberías, radiadores, estufas de cocina y refrigeradores.** Hay mayor riesgo de que se produzcan sacudidas eléctricas si su cuerpo está conectado a tierra.
- **No esponga las herramientas mecánicas a la lluvia ni a situaciones húmedas.** La entrada de agua en una herramienta mecánica aumentará el riesgo de que se produzcan sacudidas eléctricas.

- **No abuse del cordón. Nunca use el cordón para llevar las herramientas ni tire de él para desconectarlo del tomacorriente.** Mantenga el cordón alejado del calor, el aceite, los bordes afilados o las piezas móviles. **Cambie los cordones dañados inmediatamente.** Los cordones dañados aumentan el riesgo de que se produzcan sacudidas eléctricas.
- **Cuando utilice una herramienta mecánica a la intemperie, use un cordón de extensión para intemperie marcado “W-A” o “W”.** Estos cordones tienen capacidad nominal para uso a la intemperie y reducen el riesgo de que se produzcan sacudidas eléctricas.

### Seguridad personal

- **Manténgase alerta, fíjese en lo que está haciendo y use el sentido común al utilizar una herramienta mecánica.** Un momento de descuido o el consumo de drogas, alcohol o medicamentos mientras se utilizan herramientas mecánicas puede ser peligroso.
- **Vístase adecuadamente. No se ponga ropa holgada ni joyas. Sujétese el pelo largo. Mantenga el pelo, la ropa y los guantes alejados de las piezas móviles. La ropa holgada, las joyas o el pelo largo pueden quedar atrapados en las piezas móviles.** Súbase las mangas largas por encima de los codos. Se recomiendan guantes de caucho y calzado antideslizante cuando se trabaja a la intemperie.
- **Evite el arranque accidental. Asegúrese de que el interruptor esté en la posición “OFF” (apagado) antes de enchufar la herramienta.** El llevar las herramientas con el dedo en el interruptor o el enchufar las herramientas que tienen el interruptor en la posición “ON” (encendido) invita a que se produzcan accidentes.
- **Quite las llaves de ajuste o las llaves de tuerca antes de encender la herramienta.** Una llave de tuerca o de ajuste que se deje puesta en una pieza giratoria de la herramienta saldrá despedida.
- **No intente alcanzar demasiado lejos. Mantenga un apoyo de los pies y un equilibrio adecuados en todo momento.** El apoyo de los pies y el equilibrio adecuados permiten un mejor control de la herramienta en situaciones inesperadas.
- **No se suba en la herramienta ni en su base.** Se pueden producir lesiones graves si la herramienta se vuelca o si se hace contacto con la herramienta de corte accidentalmente. No guarde materiales sobre ni cerca de la herramienta de tal modo que sea necesario subirse a la herramienta o a su base para alcanzarlos.
- **Utilice equipo de seguridad. Use siempre gafas de seguridad.** Se debe utilizar una máscara antipolvo, calzado de seguridad, casco o protección en los oídos según lo requieran las condiciones. Los lentes de uso diario sólo tienen lentes resistentes a los golpes. NO son gafas de seguridad.

**“CONSERVE ESTAS INSTRUCCIONES”**

# Seguridad



**ADVERTENCIA** “LEA TODAS LAS INSTRUCCIONES”. El incumplimiento de las NORMAS DE SEGURIDAD identificadas por el símbolo del PUNTO NEGRO (•) que se indican A CONTINUACION y otras precauciones de seguridad puede dar lugar a lesiones personales graves.

## Utilización y cuidado de las herramientas

- **Utilice abrazaderas u otro modo práctico de fijar y soportar la pieza de trabajo en una plataforma estable.** La sujeción de la pieza de trabajo con la mano o contra el cuerpo resulta inestable. Permite que la pieza de trabajo se desplace y cause atasco de la herramienta y pérdida de control.
- **No fuerce la herramienta. Use la herramienta correcta para la aplicación que desea.** La herramienta correcta hará el trabajo mejor y con más seguridad a la capacidad nominal para la que está diseñada. No utilice la herramienta para propósitos para los que no está diseñada. Por ejemplo, no use la sierra para cortar pisos para trocear fiambres.
- **No utilice la herramienta si el interruptor no la enciende o apaga.** Cualquier herramienta que no se pueda controlar con el interruptor es peligrosa.
- **Desconecte el enchufe de la fuente de energía antes de hacer cualquier ajuste o de cambiar accesorios.** Estas medidas de seguridad preventivas reducen el riesgo de arrancar la herramienta accidentalmente.
- **Mantenga las herramientas de corte afiladas y limpias.** Es menos probable que las herramientas mantenidas adecuadamente, con bordes de corte afilados, se atasquen, y son más fáciles de controlar. Al montar hojas de sierra, asegúrese de que la flecha de la hoja coincida con el sentido de la flecha marcada en la herramienta y de que los dientes también estén orientados en el mismo sentido.
- **Inspeccione los protectores antes de usar una herramienta. Mantenga los protectores en su sitio. Compruebe si las piezas móviles se atascan o si existe cualquier otra situación que pueda afectar el funcionamiento normal o los dispositivos de seguridad de la herramienta. Si la herramienta se daña, haga que realicen servicio de ajustes y reparaciones antes de usarla.** Muchos accidentes son causados por herramientas mal mantenidas.
- **No altere ni haga uso incorrecto de la herramienta.** Cualquier alteración o modificación constituye un uso incorrecto y puede dar lugar a lesiones personales graves.
- **La utilización de cualquier otro accesorio no especificado en este manual puede constituir un peligro.** Los accesorios que pueden ser adecuados para un tipo de herramienta pueden resultar peligrosos cuando se utilizan en una herramienta inadecuada.

## Servicio

- **El servicio de ajustes y reparaciones de una herramienta debe ser realizado únicamente por personal de reparaciones competente.** El servicio o mantenimiento realizado por personal no competente puede tener como resultado una colocación incorrecta de los cables y componentes internos que podría causar un peligro grave.
- **Al realizar servicio de ajustes y reparaciones de una herramienta, utilice únicamente piezas de repuesto idénticas. Siga las instrucciones que figuran en la sección Mantenimiento de este manual.** El uso de piezas no autorizadas o el incumplimiento de las instrucciones de Mantenimiento puede constituir un peligro.

## Normas de seguridad para sierras para cortar pisos

- **Desconecte siempre el cordón de energía de la fuente de energía antes de hacer cualquier ajuste o colocar cualquier accesorio.** Usted podría arrancar la sierra involuntariamente, teniendo como resultado lesiones personales graves.
- **Las sierras para cortar pisos están diseñadas para cortar solamente madera o productos parecidos a la madera. No utilice esta sierra para cortar metales, incluso con una hoja especial diseñada para cortar estos materiales. No utilice esta sierra para cortar cualquier material de mampostería, incluso con ruedas de corte abrasivas.** El corte de metales o mampostería podría causar lesiones corporales y daños a la herramienta.
- **No use la sierra hasta que se hayan retirado de la mesa todas las herramientas, desechos de madera, etc., excepto la pieza de trabajo.** Los desperdicios pequeños o las piezas sueltas de madera u otros objetos que hagan contacto con la hoja que gira pueden salir despedidos a alta velocidad hacia el operador.
- **Corte únicamente una pieza de trabajo por vez.** No se pueden fijar con abrazaderas ni sujetar de modo adecuado múltiples piezas de trabajo y éstas pueden atascarse en la hoja o desplazarse durante el corte.
- **Asegúrese de que la sierra para cortar pisos esté montada o colocada sobre una superficie de trabajo nivelada y firme antes de utilizarla.** Una superficie de trabajo nivelada y firme reduce el riesgo de que la sierra para cortar pisos se vuelva inestable.
- **Esta herramienta no está equipada con disposiciones para sujetar un tope-guía auxiliar.** Asegúrese de que la pieza de trabajo esté soportada por el tope-guía antes de cortar.
- **Planifique el trabajo que va a hacer. Proporcione accesorios de soporte adecuados, tales como mesas, caballetes de aserrar, extensiones de mesa, etc., para piezas de trabajo más anchas o más largas que el tablero de la mesa.** Las piezas de trabajo que sean más largas que la mesa de la sierra para cortar pisos se pueden voltear si no se soportan de manera segura. Si la pieza cortada o la pieza de trabajo se inclina, puede hacer subir el protector inferior o salir despedida por acción de la hoja que gira.
- **No use a otra persona como sustituto de una extensión de mesa o como soporte adicional.** Un soporte inestable de la pieza de trabajo puede hacer que la hoja se atasque o que la pieza de trabajo se desplace durante la operación de corte, tirando de usted y del ayudante hacia la hoja que gira.
- **La pieza cortada no debe estar bloqueada contra ningún otro medio ni presionada por ningún otro medio contra la hoja de sierra que gira.** Si se confina, es decir, si se usan topes de longitud, podría quedar acuñaada contra la hoja y salir despedida violentamente.
- **Deje que la hoja alcance toda su velocidad antes de hacer contacto con la pieza de trabajo.** Esto ayudará a evitar que las piezas de trabajo salgan despedidas.

“CONSERVE ESTAS INSTRUCCIONES”

# Seguridad



**ADVERTENCIA** “LEA TODAS LAS INSTRUCCIONES”. El incumplimiento de las NORMAS DE SEGURIDAD identificadas por el símbolo del PUNTO NEGRO (•) que se indican A CONTINUACION y otras precauciones de seguridad puede dar lugar a lesiones personales graves.

- Si la pieza de trabajo o la hoja se atasca o engancha, apague la sierra para cortar pisos soltando el interruptor. Espere a que todas las piezas móviles se detengan y desenchufe la sierra para cortar pisos. Luego, suelte el material atascado. El aserrado continuo de una pieza de trabajo atascada podría causar pérdida de control o daños a la sierra para cortar pisos.
- Después de terminar el corte, APAGUE la sierra para cortar pisos y espere a que se detenga antes de retirar la pieza de trabajo o la pieza cortada. Si la hoja no se detiene en (10) segundos o menos, desenchufe la sierra y siga las instrucciones de la sección Resolución de problemas. ¡ES PELIGROSO PONER LA MANO BAJO UNA HOJA QUE AUN GIRA POR INERCIA!

## OPERACIÓN DE CORTE TRANSVERSAL

- Utilice abrazaderas para soportar la pieza de trabajo siempre que sea posible. Si está soportando la pieza de trabajo con la mano, debe mantener siempre la mano fuera de la línea de corte prevista. No utilice esta sierra para cortar piezas que sean demasiado pequeñas como para ser sujetadas de manera segura con abrazaderas.
- No haga avanzar la pieza de trabajo hacia la hoja ni corte “a pulso” de ninguna manera. La pieza de trabajo debe estar estacionaria y fijada con una abrazadera o sujeta con la mano. Se debe hacer avanzar la sierra suavemente a través de la pieza de trabajo y a una velocidad que no sobrecargue el motor de la sierra.
- No ponga ninguna de las dos manos en la parte de atrás de la hoja de sierra, detrás del tope-guía, para sujetar o soportar la pieza de trabajo, retirar desechos de madera o por cualquier otro motivo. Es posible que la proximidad de la mano a la hoja de sierra que gira no sea obvia y puede que usted resulte gravemente herido.
- Inspeccione la pieza de trabajo antes de cortarla. Si la pieza de trabajo está arqueada o combada, sujétela con una abrazadera con la cara exterior arqueada orientada hacia el tope-guía. Asegúrese siempre de que no haya holgura entre la pieza de trabajo, el tope-guía y la mesa a lo largo de la línea de corte. Las piezas de trabajo dobladas o combadas pueden torcerse u oscilar y es posible que causen atoramiento en la hoja de sierra que gira mientras se realiza el corte. Además, asegúrese de que no haya clavos ni objetos extraños en la pieza de trabajo.
- Utilice siempre una abrazadera o un dispositivo de sujeción diseñado apropiadamente para soportar material redondo, tal como espigas de unión o tubos. Las espigas tienen tendencia a rodar mientras están siendo cortadas, lo cual hace que la hoja “penetre y se enganche” y jale la pieza de trabajo con la mano del operador hacia la hoja.
- Cuando corte piezas de trabajo con forma irregular, planifique el trabajo para que la pieza de trabajo no resbale, pellizque la hoja y le sea arrancada de la mano. Por ejemplo, una pieza de moldura debe estar colocada en posición horizontal o estar sujeta por un dispositivo de sujeción o un posicionador que no permita que la pieza se tuerza, oscile o resbale mientras está siendo cortada.

## UBICACIÓN

Utilice la sierra para cortar pisos en un área bien iluminada y sobre una superficie nivelada, limpia y suficientemente lisa como para reducir el riesgo de tropezones y caídas. Utilícela donde ni el operador ni el observador casual estén forzados a ubicarse en línea con la hoja.

## RETROCESO

Los retrocesos pueden causar lesiones graves: Un “RETROCESO” ocurre cuando una parte de la pieza de trabajo se atora entre la hoja de sierra y el tope-guía para cortar al hilo u otro objeto fijo. Si pieza de trabajo que atore la hoja debido a desalineación, también puede causar retroceso. Durante un retroceso, la pieza de trabajo se eleva de la mesa y es arrojada hacia el operador. Mantenga la cara y el cuerpo a un lado de la hoja de sierra, fuera de línea con un posible “RETROCESO”.

## LOS RETROCESOS Y LAS POSIBLES LESIONES SE PUEDE EVITAR GENERALMENTE HACIENDO LO SIGUIENTE:

- Manteniendo el tope-guía para cortar al hilo paralelo a la hoja de sierra.
- Manteniendo afilada la hoja de sierra. Reemplazando o afilando los trinquetes antirretroceso cuando las puntas se desafilan.
- Manteniendo el protector de la hoja de sierra, el separador y los trinquetes antirretroceso instalados en su sitio y funcionando correctamente. El separador debe estar alineado con la hoja de sierra y los trinquetes deben detener un retroceso una vez que éste haya comenzado. Compruebe su acción antes de cortar al hilo.
- NO cortando al hilo una pieza de trabajo que esté retorcida o combada o que no tenga un borde recto para guiarla a lo largo del tope-guía para cortar al hilo.
- NO soltando la pieza de trabajo hasta que la haya empujado de manera que haya pasado por completo la hoja de sierra.
- Utilizando un palo de empujar para cortar al hilo anchuras de 1-3/4 a 6 pulgadas y utilizando un pedazo de madera de desecho para empujar la pieza de trabajo para completar las operaciones de corte al hilo cuando la anchura de corte al hilo sea demasiado estrecha (menos de 1-3/4 pulgadas) para permitir el uso de un palo de empujar.
- NO confinando la pieza de corte al cortar al hilo o al cortar transversalmente.
- Cuando corte al hilo, ejerza fuerza de avance en la sección de la pieza de trabajo entre la hoja de sierra y el tope-guía para cortar al hilo. Utilice un palo de empujar o una madera de desecho cuando sea apropiado (vea el punto f que antecede).

**PROTECCIÓN:** Ojos, manos, cara, oídos y cuerpo.

## PARA EVITAR SER ARRASTRADO HACIA LA HERRAMIENTA QUE GIRA:

**NO LLEVE:** Guantes que queden holgados  
Corbata, Ropa holgada, Joyas

## HAGA LO SIGUIENTE:

**SUJÉTESE EL PELO LARGO DETRÁS DE LA CABEZA  
SÚBASE LAS MANGAS LARGAS POR ENCIMA DE LOS CODOS**

- Si cualquier pieza de la sierra falta, funciona incorrectamente, se ha dañado o se ha roto... como el interruptor del motor u otro control operacional, un dispositivo de seguridad o el cable de alimentación... cese la operación inmediatamente, hasta que la pieza específica se haya reparado o reemplazado correctamente.

**“CONSERVE ESTAS INSTRUCCIONES”**

# Seguridad

**⚠️ ADVERTENCIA** “LEA TODAS LAS INSTRUCCIONES”. El incumplimiento de las NORMAS DE SEGURIDAD identificadas por el símbolo del PUNTO NEGRO (•) que se indican A CONTINUACION y otras precauciones de seguridad puede dar lugar a lesiones personales graves.

**b.** Use anteojos de seguridad y una careta si la operación genera polvo. Use tapones para los oídos u orejeras durante los períodos prolongados de operación. Las piezas de madera pequeñas que estén sueltas u otros objetos que entren en contacto con la parte trasera de la hoja que gira pueden ser lanzadas hacia el operador a una velocidad excesiva. Generalmente, esto se puede evitar manteniendo el protector y el separador colocados en su sitio para todas las operaciones de “ASERRADO PASANTE” (aserrado enteramente a través de la pieza de trabajo) Y retirando de la mesa todas las piezas sueltas con un palo de madera largo INMEDIATAMENTE después de que hayan sido cortadas.

**c.** No ENCIENDA NUNCA la sierra antes de retirar de la mesa todas las herramientas, desechos de madera, etc., excepto la pieza de trabajo y los dispositivos relacionados de avance o soporte para la operación planeada.

**d.** No ponga NUNCA la cara o el cuerpo en línea con la herramienta de corte.

- No ponga NUNCA los dedos y las manos en el recorrido de la hoja de sierra u otra herramienta de corte.

- NO ponga NUNCA cualquiera de las dos manos detrás de la herramienta de corte para sujetar o soportar la pieza de trabajo, retirar desechos de madera o por cualquier otro motivo. Evite las operaciones complicadas y las posiciones difíciles de las manos en las que un resbalón repentino podría hacer que los dedos o la mano se muevan hacia la hoja de sierra u otra herramienta de corte.

- NO realice ninguna operación “A PULSO”. Utilice siempre el tope-guía para posicionar y guiar la pieza de trabajo para realizar cortes tanto al hilo como transversales.

- No agarre ni toque NUNCA el “extremo libre” de la pieza de trabajo o un “pedazo libre” que esté cortado, mientras la herramienta esté ENCENDIDA y la hoja de sierra esté girando.

- APAGUE la sierra y desconecte el cable de alimentación cuando retire el inserto de la mesa, cambie la herramienta de corte o haga ajustes.

- Proporcione un soporte adecuado en la parte trasera y los lados de la mesa de la sierra en el caso de piezas de trabajo más anchas o largas.

- Los materiales de plástico y compuestos (como el tablero de aglomerado) se pueden cortar en la sierra. Sin embargo, como generalmente estos materiales son bastante duros y resbalosos, es posible que los trinquetes antirretroceso no detenga un retroceso. Por lo tanto, esté especialmente atento a seguir los procedimientos apropiados de preparación y corte para cortar al hilo. No se sitúe, ni permita que nadie más se sitúe, en línea con un retroceso potencial.

**f.** Si detiene o atora la hoja de sierra en la pieza de trabajo, APAGUE la sierra, retire la pieza de trabajo de la hoja de sierra y asegúrese de que la hoja de sierra esté paralela a las ranuras o acanaladuras de la mesa y si el separador está alineado correctamente con la hoja de sierra. Si corta al hilo en ese momento, asegúrese de que el tope-guía para cortar al hilo esté paralelo a la hoja de sierra. Reajústelo de la manera en que se ha indicado.

**g.** No corte NUNCA transversalmente en grupo, alineando más de una pieza de trabajo delante de la hoja (apiladas vertical u horizontalmente hacia fuera sobre la mesa), y luego empujando a través de la hoja de sierra. La hoja podría recoger una o más piezas y causar un atoramiento o pérdida de control y posibles lesiones.

**h.** NO retire pedazos pequeños de material cortado que puedan quedar atrapados dentro del protector de la hoja mientras la sierra está en marcha. Esto podría poner en peligro las manos del operador o causar retroceso. APAGUE la sierra y espere hasta que la hoja se detenga.

## CONOZCA SUS HERRAMIENTAS DE CORTE

Las herramientas de corte desafiladas, gomosas o afiladas o ajustadas incorrectamente pueden hacer que el material se pegue, se atore, detenga la sierra o experimente retroceso hacia el operador. Minimice las lesiones potenciales con un mantenimiento apropiado de la herramienta de corte y la máquina. NO INTENTE NUNCA LIBERAR UNA HOJA DE SIERRA ATORADA SIN APAGAR PRIMERO LA SIERRA.

**a.** No utilice NUNCA ruedas de amolar, ruedas de corte abrasivo, discos de fricción (hojas ranuradoras para metal) ruedas de alambre o discos pulidores.

**b.** UTILICE ÚNICAMENTE ACCESORIOS RECOMENDADOS.

**d.** Asegúrese de que la herramienta de corte gire en el mismo sentido que la flecha de rotación ubicada en el protector superior. Asegúrese también de que la herramienta de corte, los collarines del eje portaherramienta y la tuerca del eje portaherramienta estén instalados apropiadamente. Mantenga la herramienta de corte lo más bajo posible para la operación que se esté realizando. Mantenga todos los protectores colocados en su sitio siempre que sea posible.

- No utilice ninguna hoja u otra herramienta de corte marcada para una velocidad de operación inferior a 11,000 R.P.M. No utilice nunca una herramienta de corte que tenga un diámetro más grande que el diámetro para el cual se diseñó la sierra. Para lograr la mayor seguridad y eficiencia al cortar al hilo, utilice la hoja de diámetro máximo para el cual la sierra está diseñada, ya que en estas condiciones el separador está lo más cerca posible de la hoja.

**e.** Asegúrese de que el inserto de la mesa esté al ras con la superficie de la mesa o ligeramente por debajo de ella en todos los lados, excepto en el trasero. No utilice NUNCA la sierra a menos que el inserto apropiado esté instalado.

**⚠️ ADVERTENCIA** Cierta polvo generado por el lijado, aserrado, amolado y taladrado mecánicos, y por otras actividades de construcción, contiene agentes químicos que se sabe que causan cáncer, defectos de nacimiento u otros daños sobre la reproducción. Algunos ejemplos de estos agentes químicos son:

- Plomo de pinturas a base de plomo,
- Sílice cristalina de ladrillos y cemento y otros productos de mampostería, y
- Arsénico y cromo de madera tratada químicamente.

Su riesgo por causa de estas exposiciones varía, dependiendo de con cuánta frecuencia realice este tipo de trabajo. Para reducir su exposición a estos agentes químicos: trabaje en un área bien ventilada y trabaje con equipo de seguridad aprobado, como por ejemplo máscaras antipolvo que estén diseñadas especialmente para impedir mediante filtración el paso de partículas microscópicas.

- Hay instrucciones de seguridad adicionales para operaciones específicas de la sierra en la sección de operaciones. Lea el resto del manual para informarse sobre la utilización con seguridad.

**“CONSERVE ESTAS INSTRUCCIONES”**



# Seguridad

**ADVERTENCIA** “LEA TODAS LAS INSTRUCCIONES”. El incumplimiento de las NORMAS DE SEGURIDAD identificadas por el símbolo del PUNTO NEGRO (•) que se indican A CONTINUACION y otras precauciones de seguridad puede dar lugar a lesiones personales graves.

- **No permita que la familiarización obtenida por el uso frecuente de la sierra para cortar pisos se vuelva algo habitual.** Recuerde siempre que un descuido de una fracción de segundo es suficiente para causar una lesión grave.
- ¡PIENSE EN LA SEGURIDAD! LA SEGURIDAD ES UNA COMBINACIÓN DE SENTIDO COMÚN Y CONOCIMIENTO DE LAS INSTRUCCIONES DE SEGURIDAD Y DE FUNCIONAMIENTO POR PARTE DEL OPERADOR Y DE QUE ÉSTE PERMANEZCA ALERTA EN TODO MOMENTO MIENTRAS SE ESTÁ UTILIZANDO LA SIERRA PARA CORTAR PISOS.

**ADVERTENCIA** LAS ADVERTENCIAS QUE SE MUESTRAN A CONTINUACIÓN SE PUEDEN ENCONTRAR EN LA HERRAMIENTA. ESTAS ADVERTENCIAS SON SOLAMENTE UNA FORMA CONDENSADA DE LAS NORMAS Y PRECAUCIONES DE SEGURIDAD MAS DETALLADAS QUE APARECEN EN EL MANUAL DEL USUARIO. SIRVEN COMO RECORDATORIO DE TODAS LAS NORMAS DE SEGURIDAD NECESARIAS PARA LA UTILIZACIÓN CON SEGURIDAD DE ESTA SIERRA PARA CORTAR PISOS.

**WARNING** IF PUSH STICK CAN NOT BE USED WHEN RIPPING EXTREMELY NARROW WORKPIECE, USE A PIECE OF SCRAP WOOD TO PUSH THE WORKPIECE TO COMPLETE THE RIPPING OPERATION.

**ADVERTENCIA** SI EL PALO DE EMPUJAR NO SE PUEDE UTILIZAR CUANDO SE CORTA AL HILO UNA PIEZA DE TRABAJO SUMAMENTE ESTRECHA, UTILICE UN PEDAZO DE MADERA DE DESECHO PARA EMPUJAR LA PIEZA DE TRABAJO CON EL FIN DE COMPLETAR LA OPERACIÓN DE CORTE AL HILO.

**AVERTISSEMENT** SI VOUS NE POUVEZ PAS UTILISER DE POUSSOIR POUR REFENDRE UN OUVRAGE EXTREMEMENT ETROIT, UTILISEZ UN MORCEAU DE BOIS POUR POUSSER L'OUVRAGE AFIN DE COMPLETER L'OPERATION DE REFENTE.

**WARNING**

WHEN RIPPING:  
- PUSH THE WORKPIECE ONLY ON THE FENCE SIDE OF THE BLADE  
- NEVER PLACE YOUR NON-PUSHING HAND ON THE WORKPIECE BEYOND THE MID-POINT OF THE BLADE  
- FENCE MUST BE PARALLEL TO THE BLADE  
- USE "PUSH-STICK" OR "PUSH BLOCK" ON NARROW WORKPIECES  
- ADJUST THE ANTI-KICKBACK PAWL TO ENSURE IT CONTACT THE TABLE.

**ADVERTENCIA**

CUANDO CORTE AL HILO:  
- EMPUJE LA PIEZA DE TRABAJO SOLAMENTE SOBRE EL LADO DE LA HOJA CORRESPONDIENTE AL TOPE-GUÍA  
- NO PONGA NUNCA LA MANO QUE NO ESTÉ USANDO PARA EMPUJAR SOBRE LA PIEZA DE TRABAJO MÁS ALLÁ DEL PUNTO CENTRAL DE LA HOJA  
- EL TOPE-GUÍA DEBE ESTAR PARALELO A LA HOJA  
- USE UN "PALO DE EMPUJAR" O UN "BLOQUE DE EMPUJAR" EN EL CASO DE PIEZAS DE TRABAJO ESTRECHAS  
- AJUSTE EL TRINQUETE ANTIRRETROCESO PARA ASEGURARSE DE QUE HAGA CONTACTO CON LA MESA.

**AVERTISSEMENT**

EN CAS DE COUPE EN LONG:  
- NE PUSSEZ L'OUVRAGE QUE DU CÔTÉ DE LA LAME FAISANT FACE AU GUIDE LONGITUDINAL  
- NE PLACEZ JAMAIS VOTRE MAIN QUI NE PUSSE PAS L'OUVRAGE SUR CELUI-CI AU-DELA DU POINT MEDIAN DE LA LAME  
- LE GUIDE DOIT ÊTRE PARALLÈLE À LA LAME  
- UTILISEZ UN BLOC DE BOIS OU UN « POUSSOIR » POUR FAIRE AVANCER LES OUVRAGES ETROITS  
- AJUSTEZ LE CLIQUET DE PROTECTION CONTRE LES CHOC EN RETOUR POUR ASSURER QU'IL EST BIEN EN CONTACT AVEC LA TABLE.

**WARNING**

WHEN CROSSCUTTING:  
- USE MITER GAUGE FOR CROSSCUTTING.  
- HOLD OR CLAMP WORKPIECE AGAINST BASE AND FENCE.  
- WITH THE MOTOR OFF, MAKE A DRY-RUN TO BE AWARE OF THE BLADE'S REACH.  
- MOVE ANTI-KICKBACK PAWL ABOVE THE WORKPIECE.  
- RETURN CARRIAGE TO THE FULL REAR POSITION AFTER EACH CROSSCUT OPERATION.

**ADVERTENCIA**

CUANDO CORTE TRANSVERSALMENTE:  
- USE EL CALIBRE DE INGLETES PARA CORTAR TRANSVERSALMENTE.  
- FUELE CON ABRAZADERAS O SUJETE LA PIEZA DE TRABAJO CONTRA LA BASE Y EL TOPE-GUÍA  
- CON EL MOTOR APAGADO, HAGA UNA PASADA EN VACÍO PARA CONOCER EL ALCANCE DE LA HOJA.  
- MUEVA EL TRINQUETE ANTIRRETROCESO HASTA UBICARLO ENCIMA DE LA PIEZA DE TRABAJO.  
- RETORNE EL CARRO A LA POSICIÓN COMPLETAMENTE TRASERA DESPUÉS DE CADA OPERACIÓN DE CORTE TRANSVERSAL.

**AVERTISSEMENT**

EN CAS DE COUPE TRANSVERSALE:  
- UTILISEZ UN GUIDE D'ONGLET POUR EFFECTUER UNE COUPE TRANSVERSALE  
- MAINTENEZ (AU BESOIN AVEC UNE BRIDE) L'OUVRAGE CONTRE LA BASE ET LE GUIDE  
- AVEC LE MOTEUR À L'ARRÊT (OFF), FAITES TOURNER LA LAME POUR AVOIR UNE IDÉE DE SA PORTEE  
- DÉPLACEZ LE CLIQUET DE PROTECTION CONTRE LES CHOC EN RETOUR EN DESSUS DE L'OUVRAGE  
- REMETTEZ LE CHARIOT DANS LA POSITION LA PLUS EN ARRIERE POSSIBLE APRES CHAQUE OPERATION DE COUPE TRANSVERSALE.

**WARNING** For Your Own Safety – Read and understand owner's manual before operating saw. Always use the blade guard with spreader. Spreader must be aligned with blade and anti-kickback pawls must be sharp and spring loaded. Adjust hold down device to the proper height. Know how to avoid risk of "kickback". Do not press work-piece against side of spinning blade. Do not stand in front of spinning saw blade. Keep your head and hands to either side of blade. Never reach around or over saw blade. Disconnect saw from power source before servicing or changing blade. No adjustment should be made until the tool has been stopped. Do not allow loose cut-off pieces to be wedged between spinning blade and fence. Never remove jammed or cut off pieces until blade has stopped. "Fresh hand" – "Secured" fasten tool base to stable surface or workbench. Keep saw free of sawdust buildup to avoid fire hazard. When servicing, use only identical replacement parts. Avoid electrical shock, do not expose to rain or use in damp locations. Use saw blade rated 11000/min or greater. Do not use saw without functioning guard system. If guard doesn't operate smoothly, have it serviced. After turning saw Off, wait for blade to stop before removing cut-off pieces or changing settings.

**ADVERTENCIA** Para su propia seguridad: Lea y entienda el manual del usuario antes de utilizar la sierra. Use protección de los ojos, tapones de oídos y máscara antipolvo según sea necesario. Sepa cómo apagar la herramienta en una emergencia. Utilice siempre el protector de la hoja con el separador. El separador debe estar alineado con la hoja y los trinquetes antirretroceso deben estar afilados y accionados por resorte. Ajuste el dispositivo de sujeción a la altura apropiada. Sepa cómo evitar el riesgo de "retroceso". No presione la pieza de trabajo contra el lado de la hoja que gira. No se sitúe delante de la hoja de sierra que gira. Mantenga el cuerpo y las manos en cualquiera de los dos lados de la hoja. No ponga nunca las manos alrededor de la hoja de sierra ni sobre ella. Desconecte la sierra de la fuente de alimentación antes de hacerle servicio de ajustes y reparaciones o cambiar la hoja. No se debe hacer ningún ajuste hasta que la herramienta haya sido detenida. No deje que las piezas cortadas sueltas queden en cuña entre la hoja que gira y el tope-guía. No retire nunca las piezas atoradas o cortadas hasta que la hoja se haya detenido. No realice ninguna operación "a pulso". Sujete firmemente la base de la herramienta a una superficie estable o un banco de trabajo estable. Mantenga la sierra libre de acumulación de aserrín para evitar el peligro de incendio. Cuando haga servicio de ajustes y reparaciones de la herramienta, utilice únicamente piezas de repuesto idénticas. Para evitar las descargas eléctricas, no exponga la herramienta a la lluvia ni la utilice en lugares húmedos. Utilice una hoja de sierra con capacidad nominal de 11000/min o mayor. No utilice la sierra sin el sistema de protección en buenas condiciones de funcionamiento. Si el protector no funciona suavemente, haga que le den servicio de ajustes y reparaciones. Después de APAGAR la sierra, espere a que la hoja se detenga antes de retirar las piezas cortadas o cambiar los ajustes.


“CONSERVE ESTAS INSTRUCCIONES”

# Especificaciones del motor y requisitos eléctricos

## Especificaciones generales

Tensión nominal .....	120 V, 60 Hz
Amperaje nominal .....	7 A
Velocidad sin carga .....	$n_0$ 11,000/min
Tamaño de la mesa .....	27" x 17-3/4"

## Herramientas con aislamiento doble

El aislamiento doble  es un concepto de diseño que se utiliza en las herramientas eléctricas, el cual elimina la necesidad de un cable de alimentación conectado a tierra de tres cables y un sistema de fuente de alimentación conectado a tierra. Es un sistema reconocido y aprobado por Underwriter's Laboratories, la CSA y las autoridades federales de OSHA.

**IMPORTANTE:** El servicio de mantenimiento de una herramienta con aislamiento doble requiere cuidado y conocimiento del sistema y debe ser realizado solamente por un técnico de servicio calificado.

CUANDO HAGA SERVICIO DE MANTENIMIENTO, UTILICE ÚNICAMENTE PIEZAS DE REPUESTO IDÉNTICAS.

**ENCHUFES POLARIZADOS.** Para reducir el riesgo de descargas eléctricas, su herramienta está equipada con un enchufe polarizado (un terminal es más ancho que el otro), este enchufe encajará solamente de una manera en un tomacorriente polarizado. Si el enchufe no encaja completamente en el tomacorriente, invierta el enchufe. Si sigue sin encajar, contacte a un electricista calificado para instalar el tomacorriente adecuado. Para reducir el riesgo de descargas eléctricas, no cambie el enchufe de ninguna manera.

## Cordones de extensión

Sustituya los cordones dañados inmediatamente. La utilización de cordones dañados puede causar sacudidas, quemar o electrocutar.

Utilice siempre un cordón de extensión apropiado. Si se necesita un cordón de extensión, se debe utilizar un cordón con conductores de tamaño adecuado para prevenir caídas de tensión excesivas, pérdidas de potencia o sobrecalentamiento. La tabla muestra el tamaño correcto a utilizar, según la longitud del cordón y la capacidad nominal en amperios indicada en la placa del fabricante de la herramienta. En caso de duda, utilice la medida más gruesa siguiente. Utilice siempre cordones de extensión catalogados por U.L. y la CSA.

### TAMAÑOS RECOMENDADOS DE CORDONES DE EXTENSIÓN HERRAMIENTAS DE CORRIENTE ALTERNA DE 120 V

Capacidad nominal en amperios de la herramienta	Tamaño del cordón en calibres A.W.G.				Tamaños de alambre en mm <sup>2</sup>			
	Longitud del cordón en pies				Longitud del cordón en metros			
	25	50	100	150	15	30	60	120
3-6	18	16	16	14	.75	.75	1.5	2.5
6-8	18	16	14	12	.75	1.0	2.5	4.0
8-10	18	16	14	12	.75	1.0	2.5	4.0
10-12	16	16	14	12	1.0	2.5	4.0	—
12-16	14	12	—	—	—	—	—	—

**NOTA:** Cuanto más pequeño es el número de calibre, más grueso es el cordón.

**“CONSERVE ESTAS INSTRUCCIONES”**



# Índice

Normas generales de seguridad .....	42	Utilización .....	56-60
Normas de seguridad adicionales .....	43-46	Cómo mantener limpia el área de trabajo .....	56
Especificaciones del motor y requisitos eléctricos .....	47	Orificio para aserrín .....	56
Índice .....	48	Pomo de fijación del ensamblaje de la sierra .....	56
Glosario de términos .....	49	Interruptor por golpeo .....	56
Desempaquetado y comprobación del contenido.....	50	Interruptor gatillo .....	56
Familiarización con la sierra para cortar pisos .....	51	Corte a inglete .....	57
Ensamblaje y ajustes .....	52-54	Posición del cuerpo y las manos .....	57
Alineación del tope-guía para cortar al hilo .....	52	Soporte de la pieza de trabajo .....	57
Ajuste del apuntador del tope-guía para cortar al hilo .....	52	Realización de un corte a inglete .....	58
Remoción e instalación de la hoja .....	53	Cortes especiales .....	58
Alineación de la cuchilla separadora.....	54	Corte al hilo .....	59
Montaje en un banco de trabajo .....	55	Mantenimiento de la sierra para cortar pisos .....	61
Montaje en madera contrachapada .....	55	Resolución de problemas .....	61

# Glosario de términos

**A PULSO**

Realizar un corte sin tope-guía, calibre de ingletes, dispositivo de fijación, dispositivo de sujeción u otro dispositivo apropiado para evitar que la pieza de trabajo se tuerza durante el corte.

**CORTE AL HILO**

Una operación de corte a lo largo de la longitud de la pieza de trabajo, cortando dicha pieza con la anchura deseada.

**CORTE TRANSVERSAL**

Una operación de corte o afilado realizada transversalmente a la anchura de la pieza de trabajo, cortando dicha pieza con la longitud deseada.

**EJE PORTAHERRAMIENTA**

El eje en el cual se monta una hoja.

**EXTREMO DE ENTRADA**

El extremo de la pieza de trabajo que, durante una operación de tipo de corte al hilo, es empujado primero hacia la herramienta de corte.

**GOMA**

Un residuo pegajoso a base de savia procedente de los productos de madera. Después de haberse endurecido, se conoce como "RESINA".

**PALO DE EMPUJAR**

Un dispositivo que se utiliza para hacer avanzar la pieza de trabajo a través de la sierra durante una operación de tipo corte al hilo estrecha y ayuda a mantener las manos del operador bien alejadas de la hoja. Utilice el palo de empujar para anchuras de corte al hilo de menos de 6 pulgadas y más de 2 pulgadas.

**PIEZA DE TRABAJO**

El objeto en el cual se está realizando la operación de corte. Las superficies de una pieza de trabajo se denominan comúnmente caras, extremos y bordes.

**RETROCESO**

Un agarre y lanzamiento incontrolados de la pieza de trabajo de vuelta hacia la parte delantera de la sierra durante una operación de tipo de corte al hilo.

**REVOLUCIONES POR MINUTO (R.P.P.)**

El número de vueltas completadas en un minuto por un objeto que gira.

**SECCIÓN DE CORTE**

La cantidad de material que la hoja retira en un corte pasante o la ranura producida por la hoja en un corte no pasante o parcial.

**TALÓN**

Desalineación de la hoja que hace que el lado de salida o avance hacia fuera de la hoja entre en contacto con la superficie de la pieza de trabajo. El talón puede causar retroceso, atoramiento, fuerza excesiva, quemado de la pieza de trabajo o astillamiento. En general, el talón produce un corte de mala calidad y puede ser un peligro para la seguridad.

**TRINQUETES ANTIRRETROCESO**

Dispositivo que, cuando se mantiene apropiadamente, está diseñado para impedir que la pieza de trabajo sea arrojada hacia atrás, hacia el operador, durante la operación.

## Desempaquetado y comprobación del contenido

**ADVERTENCIA** Para reducir el riesgo de lesiones, no conecte nunca el enchufe al tomacorriente de la fuente de alimentación hasta que todos los pasos de ensamblaje se hayan completado y hasta que usted haya leído y entendido todo el manual del usuario.

La sierra para cortar pisos modelo 3600 se envía completa en una caja.

Desempaquetado y comprobación del contenido. Separe todas las piezas de los materiales de empaquetamiento y compruebe cada uno de ellos con la "Tabla de piezas sueltas" para asegurarse de que no falte ningún artículo antes de desechar cualquier material de empaquetamiento.

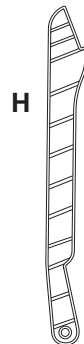
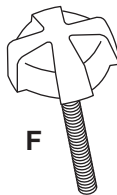
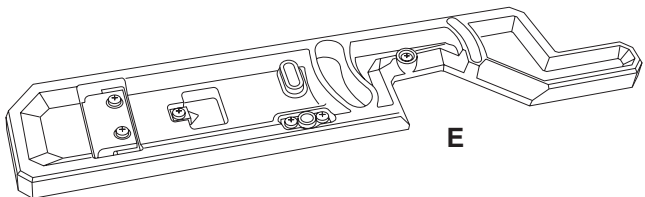
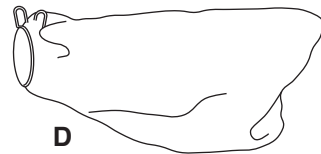
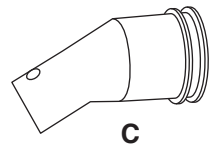
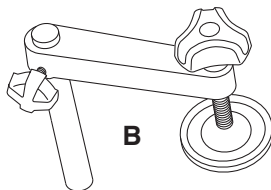
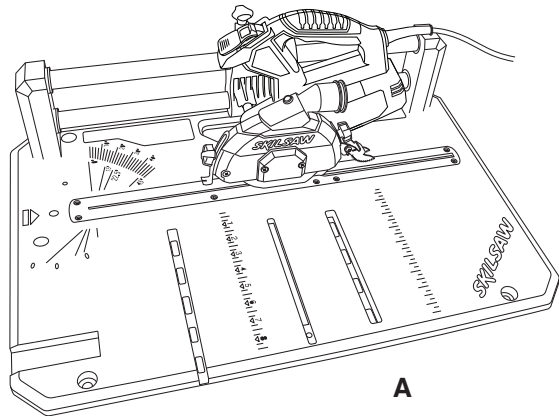
**ADVERTENCIA** Si falta alguna pieza, no intente ensamblar la sierra, enchufar el cable de alimentación o poner el interruptor en la posición de encendido hasta que todas las piezas que falten se hayan obtenido e instalado correctamente.

### Tabla de piezas sueltas

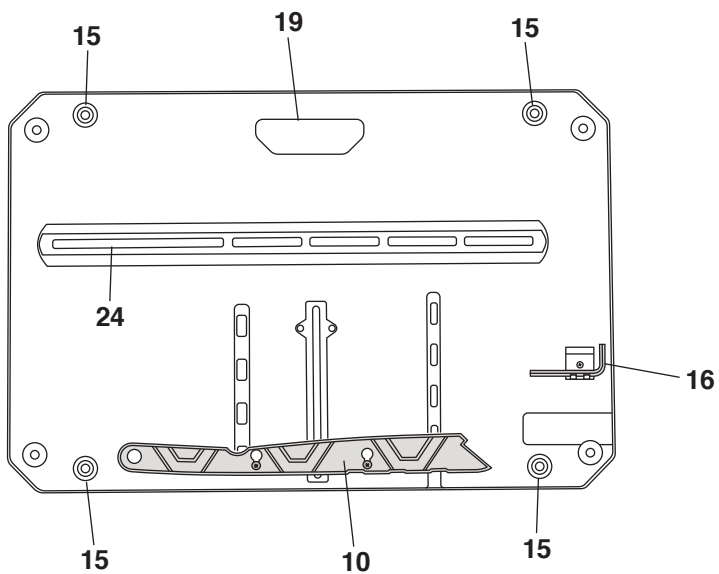
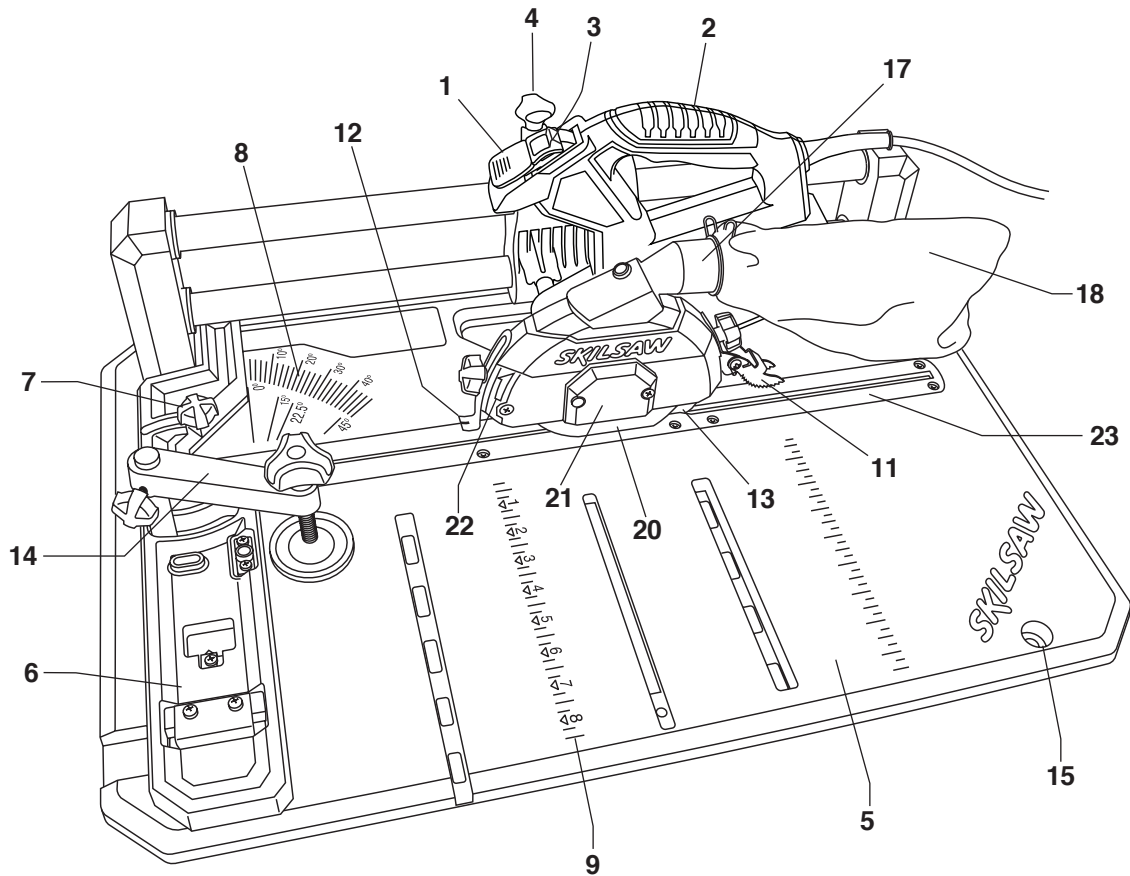
ARTÍCULO	DESCRIPCIÓN	CANT.
A	Sierra para cortar pisos	1
B	Ensamblaje de la abrazadera de prensa de tornillo	1
C	Orificio para polvo	1
D	Bolsa para polvo	1
E	Tope-guía para cortar al hilo	1
F	Pomo del tope-guía	1
G	Llave de tuerca (debajo de la mesa)	1
H	Palo de empujar (debajo de la mesa)	1

### Herramientas adicionales necesarias para el ensamblaje

Destornillador de cabeza Phillips



# Familiarización con la sierra para cortar pisos



Lado inferior de la mesa

1. Interruptor
2. Mango
3. Llave de fijación en apagado del interruptor (retirable)
4. Pomo de fijación del ensamblaje de la sierra
5. Mesa
6. Tope-guía
7. Pomo de fijación del tope-guía
8. Escala de ingletes
9. Escala de corte al hilo
10. Área de almacenamiento del palo de empujar
11. Trinquetes antirretroceso
12. Soporte de sujeción delantero
13. Separador/Cuchilla separadora
14. Abrazadera de prensa de tornillo
15. Almohadillas de montaje de la herramienta
16. Llave hexagonal
17. Orificio para aserrín
18. Bolsa de recolección de polvo
19. Mango de transporte
20. Protector de la hoja
21. Cubierta del perno de la hoja
22. Flecha de rotación de la hoja
23. Ranura de instalación y remoción de la hoja

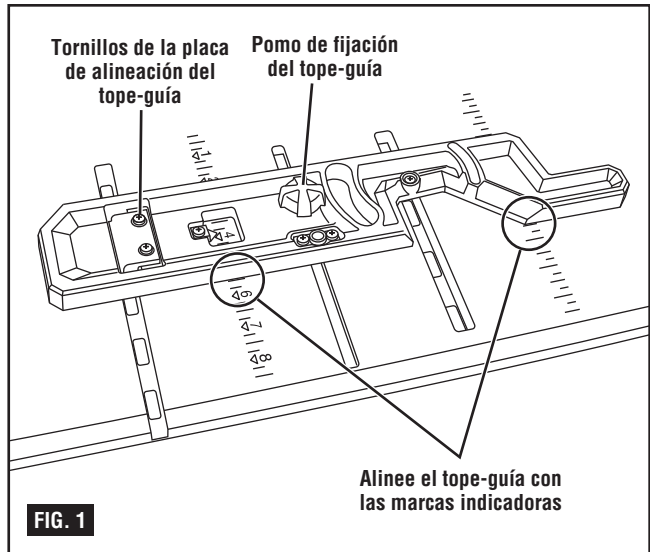
## Ensamblaje y ajustes

**⚠ ADVERTENCIA** Para reducir el riesgo de lesiones, no conecte nunca el enchufe al toma-corriente de la fuente de alimentación hasta que se hayan completado todos los pasos de ensamblaje.

### Alineación del tope-guía para cortar al hilo

Vea la figura 1.

1. Afloje el pomo de fijación del tope-guía.
2. Utilizando un destornillador Phillips, afloje los dos tornillos de la placa de alineación del tope-guía.
3. Ajuste el tope-guía hasta que esté alineado con las dos marcas indicadoras correspondientes.
4. Apriete el pomo de fijación del tope-guía.
5. Reapriete ambos tornillos en la placa de alineación del tope-guía.



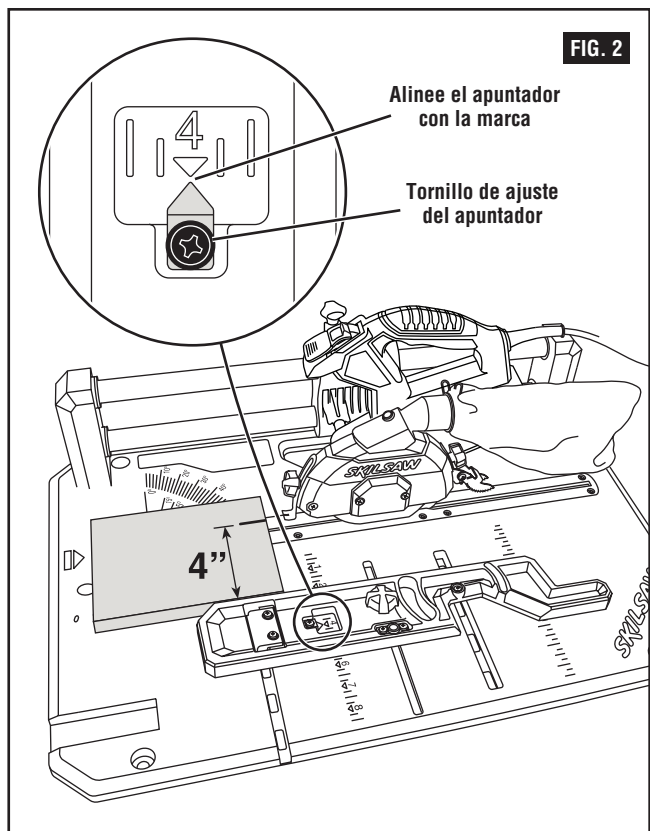
### Ajuste del apuntador del tope-guía para cortar al hilo

Vea la figura 2.

La distancia desde el tope-guía hasta la hoja al cortar al hilo se determina alineando el apuntador con la dimensión deseada de la escala.

**Para ajustar el apuntador del tope-guía para cortar al hilo:**

1. Afloje el pomo de fijación del tope-guía.
2. Deslice el tope-guía hasta una longitud específica (ejemplo: 4 pulgadas).
3. Apriete el pomo de fijación del tope-guía.
4. Utilizando un pedazo de madera de desecho, haga un corte pequeño.
5. Mida el corte. Si es necesario, ajuste el tope-guía hasta que el corte iguale la longitud deseada (4 pulgadas).
6. Afloje el tornillo de ajuste del apuntador
7. Alinee el apuntador con la marca de la escala (4 pulgadas).
8. Reapriete el tornillo de ajuste del apuntador.





# Ensamblaje y ajustes

## Remoción e instalación de la hoja

Vea las figuras 3-6.

**ADVERTENCIA** Para reducir el riesgo de lesiones personales, desconecte siempre el enchufe de la fuente de alimentación antes de cambiar las hojas.

### Utilización de la hoja correcta

**Dimensiones de la hoja:** 4-3/8 pulgadas (110 mm) de diámetro  
Eje portaherramienta de 3/4 de pulgada  
RPM MIN 11,000/min

**IMPORTANTE:** La hoja de sierra suministrada en esta herramienta tiene una anchura de sección de corte con punta de carburo de 0.078 pulgadas (2 mm) y un grosor de placa (cuerpo) de 0.047 pulgadas (1.2 mm). Cuando busque una hoja de repuesto, seleccione una con dimensiones próximas a las de la hoja original. Es posible que esta información no esté impresa en el empaquetamiento de las hojas. Si no lo está, consulte el catálogo o el sitio Web del fabricante. Skil ofrece una extensa línea de hojas de sierra profesionales de alta calidad que cumplen con los requisitos de esta herramienta. Usted debe seleccionar una hoja con una anchura de sección de corte de 0.061 pulgadas o más en un grosor de placa (cuerpo) de 0.057 pulgadas o menos (Fig. 3).

**ADVERTENCIA** Para reducir el riesgo de lesiones, no utilice hojas de sierra con sección de corte extradelgada. La sección de corte de la hoja debe ser más ancha que 0.061 pulgadas. Las hojas de sierra con sección de corte extradelgada (menos de 0.061 pulgadas) puede hacer que la pieza de trabajo se atore contra la cuchilla separadora durante el corte. Se recomienda que la sección de corte de la hoja de repuesto utilizada en esta sierra sea de 0.061 pulgadas o más.

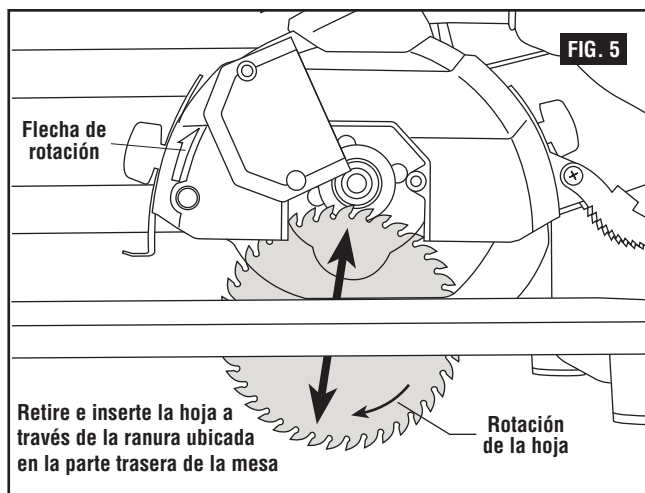
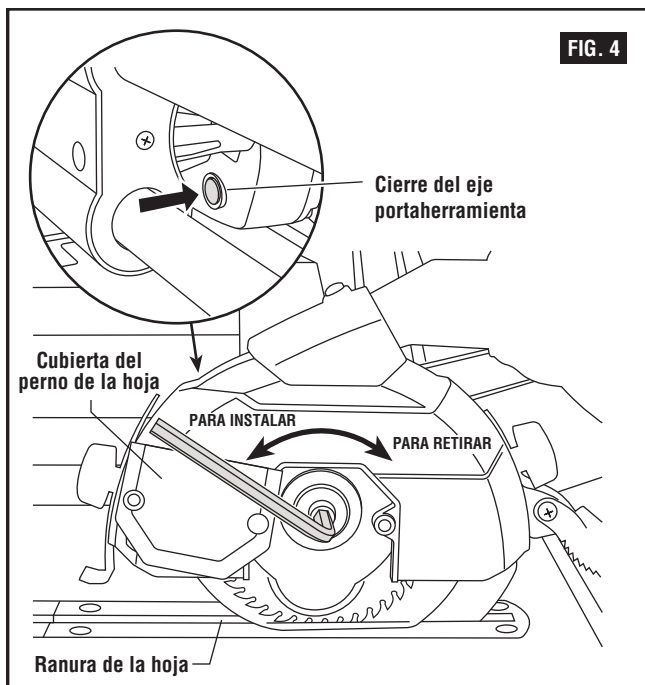
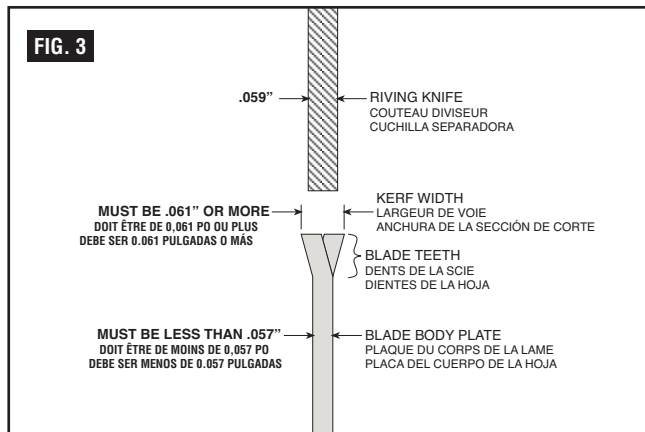
**ADVERTENCIA** Para reducir el riesgo de lesiones, no utilice hojas de sierra hechas con una placa de cuerpo gruesa. Si el grosor de la placa de la hoja de sierra de repuesto es mayor que 0.057 pulgadas, la cuchilla separadora no serviría apropiadamente como auxiliar para reducir el retroceso. El grosor de la placa de la hoja de repuesto debe ser menos de 0.057 pulgadas.

### Cambio de la hoja

**ADVERTENCIA** El carburo es un material muy duro, pero frágil. Se debe tener cuidado para prevenir los daños accidentales. Si se golpea la punta, se puede dañar el carburo. Si se corta a través de clavos, cables u otros objetos duros incrustados en la pieza de trabajo, el resultado puede ser que las puntas se agrieten o se rompan. No utilice nunca la hoja si se sospecha que está dañada (rota, agrietada o con puntas flojas). No utilice nunca la hoja en metal o mampostería.

**NOTA:** Limpie la hoja para eliminar todo exceso de aceite antes de realizar la instalación.

1. Coloque la sierra para cortar pisos sobre uno de sus lados para cambiar la hoja de manera más conveniente.
2. Deslice el ensamblaje de la sierra de vuelta hacia atrás hasta su posición más alejada. Ésta es la posición en la cual la hoja se puede retirar de la sierra.
3. Utilizando un destornillador de cabeza Phillips, retire el tornillo trasero ubicado en la cubierta del perno de la hoja y gire la cubierta hasta separarla del perno de la hoja.



## Ensamblaje y ajustes

- Presione y mantenga presionado el cierre del eje portaherramienta para bloquear la hoja en la posición correcta. Utilizando la llave hexagonal (incluida), gire el perno de la hoja en el sentido de las agujas del reloj para retirarlo.

**NOTA:** El perno de la hoja tiene una rosca a izquierdas.

- Retire el perno de la hoja y el collarín de la hoja.
- Retire la hoja deslizándola hacia abajo hacia el inserto de sección de corte y hacia fuera a través del lado inferior de la mesa.

**NOTA:** No es necesario retirar la arandela interior.

- Instale una hoja de 4-3/8 pulgadas (110 mm).

**NOTA:** Asegúrese de que la flecha de rotación de la hoja coincida con la flecha de rotación ubicada en el protector superior.

Para evitar lesiones, no utilice una hoja más grande ni más pequeña que 4-3/8 pulgadas de diámetro y un eje portaherramienta de 3/4 de pulgada.

- Instale el collarín de la hoja en la orientación apropiada y luego instale el perno de la hoja. Apriete con los dedos el perno de la hoja. Presione el cierre del eje portaherramienta y apriete firmemente el perno de la hoja, pero no lo sobreapriete.
- Asegúrese de que el cierre del eje portaherramienta esté liberado para que la hoja gire libremente.
- Cierre la cubierta del perno de la hoja, inserte el tornillo trasero y apriételo.

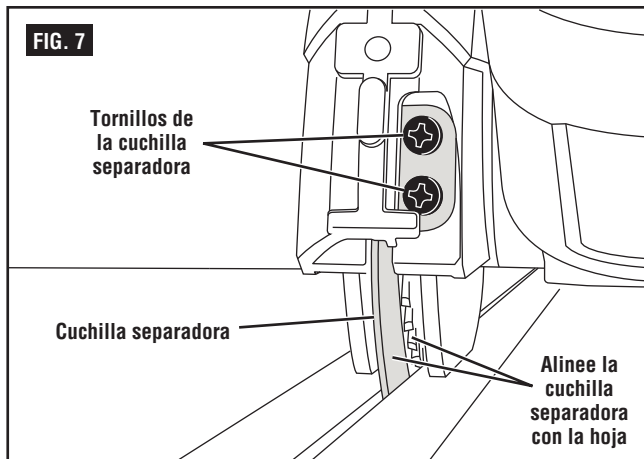
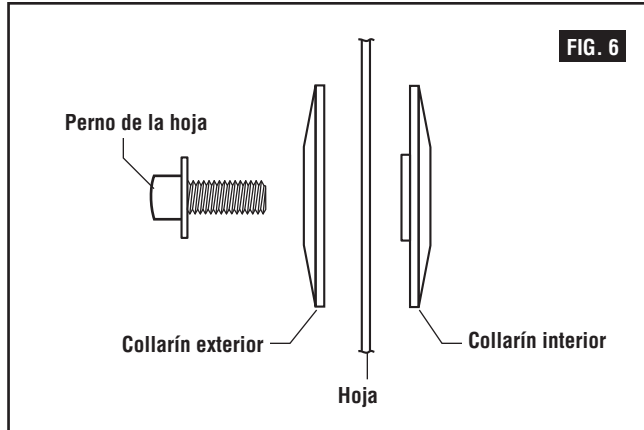
Después de instalar una hoja nueva, compruebe si hay algún contacto con la base o la estructura de la mesa. Si la hoja entra en contacto con la mesa, obtenga servicio autorizado.

### Alineación de la cuchilla separadora

Vea las figuras 6-7.

**⚠ ADVERTENCIA** Desconecte el enchufe de la fuente de alimentación antes de realizar cualquier ensamblaje, ajuste o reparación, para evitar posibles lesiones.

- Retire los trinquetes antirretroceso.
- Utilizando un destornillador philips, afloje ligeramente los dos tornillos que montan la cuchilla separadora en el protector de la hoja.
- Alinee la cuchilla separadora en línea con la hoja.
- Reapriete ambos tornillos de la cuchilla separadora.



## Ensamblaje y ajustes

### Montaje en un banco de trabajo

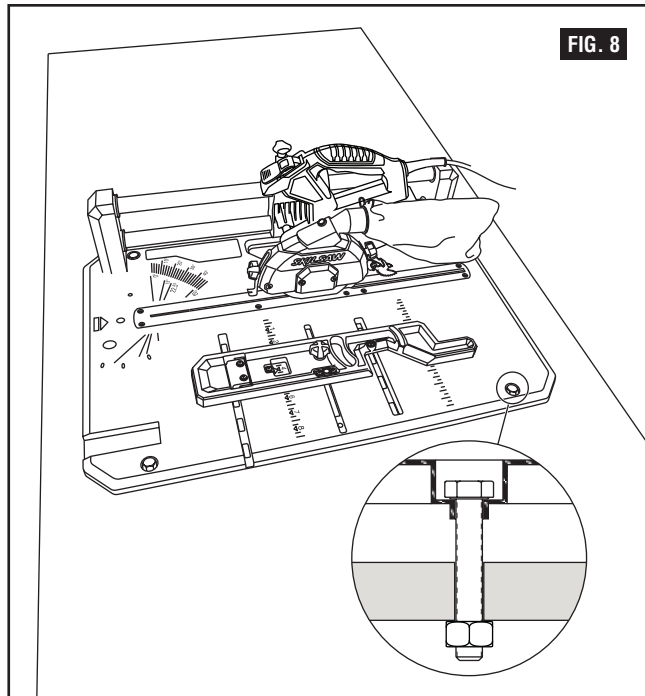
Vea la figura 8.

Si la sierra se va a utilizar en una ubicación permanente, se debe sujetar de manera segura a una superficie de soporte firme, tal como una base de soporte o un banco de trabajo, utilizando los cuatro agujeros de montaje.

Cuando monte la sierra en un banco de trabajo o madera contrachapada, se deben taladrar agujeros a través de la superficie de soporte del banco de trabajo o la madera contrachapada y se DEBE hacer una abertura del mismo tamaño que la abertura ubicada en la parte inferior de la sierra, para que el aserrín pueda caer a través de dicha abertura.

Cada uno de los cuatro agujeros de montaje se debe empernar de manera segura utilizando tuercas hexagonales de 5/16 de pulgada (no incluidas). Las longitudes de los tornillos deben ser 2 pulgadas mayores que el grosor del tablero del banco de trabajo.

1. Localice y marque el lugar donde se va a montar la sierra.
2. Taladre cuatro (4) agujeros de 3/8 de pulgada de diámetro a través del banco de trabajo.
3. Coloque la sierra sobre el banco de trabajo alineando los agujeros de la base con los agujeros taladrados en el banco de trabajo.
4. Inserte cuatro (4) tornillos de 5/16 de pulgada y apriételes.



### Montaje en madera contrachapada

Vea la figura 9.

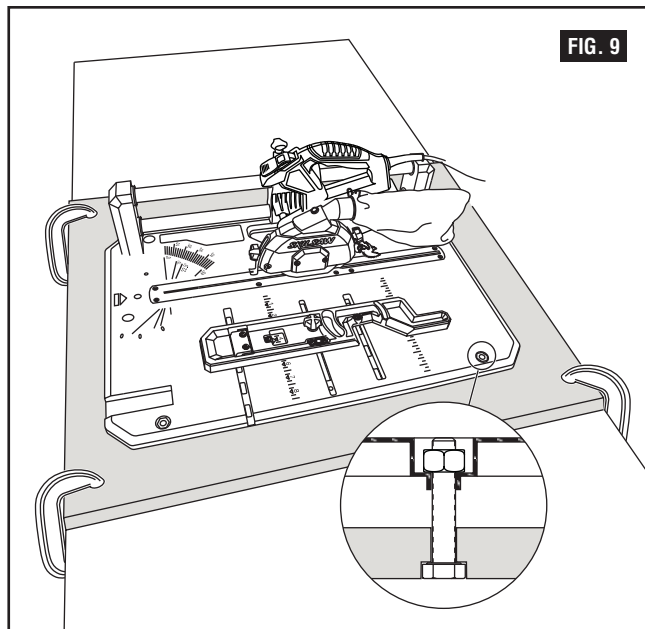
Un método alternativo de sujetar firmemente la sierra es sujetar la base de la sierra a una tabla de montaje de 24 x 24 pulgadas de tamaño mínimo para evitar que la sierra se voltee mientras se esté utilizando. Se recomienda cualquier madera contrachapada de buena calidad con un grosor mínimo de 3/4 de pulgada.

1. Siga las instrucciones de montaje en un banco de trabajo, sustituyendo una tabla de madera contrachapada de 24 x 33 pulgadas de tamaño mínimo y utilizando tornillos para metales de cabeza plana de 5/16 de pulgada, arandelas planas y tuercas hexagonales (no incluidos). La longitud de los tornillos debe ser tal que los tornillos no sobresalgan por encima de la superficie del tablero de la mesa. Inserte los tornillos hacia arriba a través de la tabla de montaje y a través de los agujeros de la base. Coloque las arandelas planas en el espárrago y sujételas firmemente con tuercas hexagonales.

**NOTA:** Para lograr una estabilidad apropiada, los agujeros se deben avellanar en el lado inferior de la madera contrachapada para que las cabezas de los tornillos estén al ras con la superficie inferior de la tabla de soporte.

2. Sujete firmemente con abrazaderas la tabla al banco de trabajo utilizando dos o más abrazaderas en "C", de la manera que se muestra en la ilustración.

La superficie de soporte donde se va a montar la sierra debe ser examinada detenidamente después de realizar el montaje, para asegurarse de que no pueda ocurrir ningún movimiento durante el uso. Si se nota cualquier inclinación o desplazamiento, sujete firmemente el banco de trabajo o la base de soporte antes de utilizar la sierra de mesa.



## Utilización

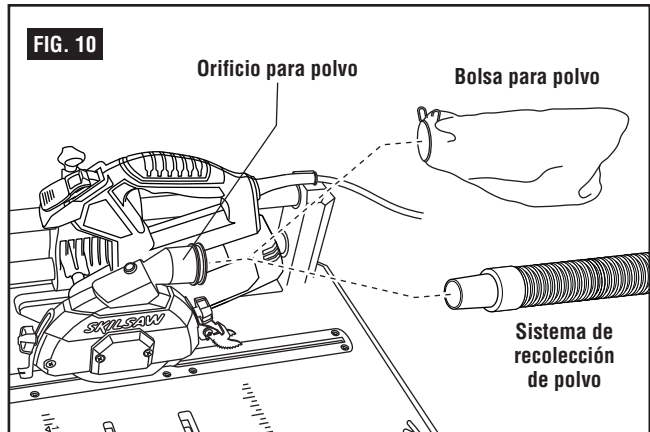
### Mantenga limpia el área

El aserrín y las virutas de madera que caen debajo de la sierra se acumularán en el piso. Convierta en práctica habitual recoger y desechar este polvo cuando haya completado el corte.

### Orificio para aserrín

Vea la figura 10.

El orificio para aserrín está ubicado en la parte traseras del protector superior. Se puede conectar un sistema de recolección de polvo o una bolsa para polvo a este orificio para ayudar a retirar el aserrín del área de trabajo. El orificio para aserrín acepta una manguera de aspiración estándar de 1-1/4 pulgadas.



### Cierre del ensamblaje de la sierra

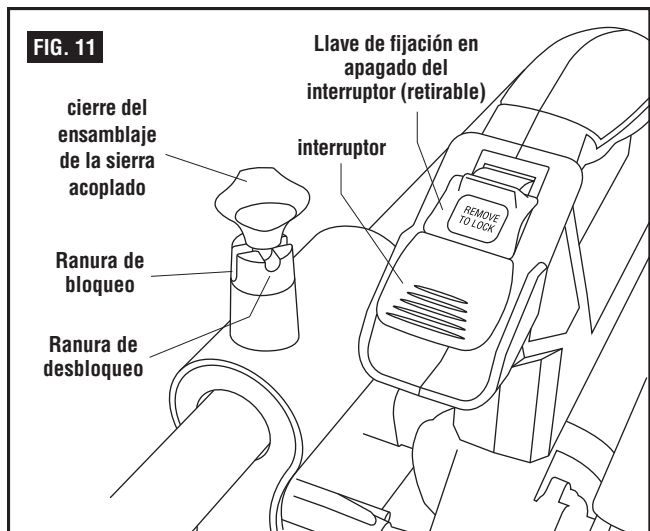
Vea las figuras 11 y 12.

**ADVERTENCIA** Para reducir el riesgo de lesiones, asegúrese de que el interruptor por golpeo esté en la posición de APAGADO antes de bloquear la sierra en el modo de operación de corte al hilo.

El cierre del ensamblaje de la sierra se utiliza para bloquear la sierra en su sitio mientras se realizan cortes al hilo.

**Para acoplar y bloquear el ensamblaje de la sierra:** jale el pomo de fijación del ensamblaje de la sierra, rótelo 90 grados para que el pasador del eje quede alineado con la ranura profunda y luego suelte el pomo. Deslice la sierra hacia el centro del riel hasta que el cierre se acople.

**Para desacoplar y desbloquear el ensamblaje de la sierra:** jale el pomo de fijación del ensamblaje de la sierra, rótelo 90 grados para que el pasador del eje quede alineado con la ranura poco profunda y luego suelte el pomo.



### Interruptor

Vea la figura 11.

El interruptor tiene una llave de fijación en apagado del interruptor retirable para proteger contra el uso no autorizado.

1. Para ENCENDER la herramienta, inserte la llave de fijación en apagado del interruptor en la carcasa del interruptor. Como característica de seguridad, el interruptor no se puede poner en la posición de ENCENDIDO sin la llave de fijación en apagado del interruptor.
2. Voltee el interruptor hacia arriba hasta la posición de ENCENDIDO.
3. Para APAGAR la herramienta, mueva el interruptor hasta la posición hacia abajo.
4. Para bloquear el interruptor en la posición de APAGADO, retire del interruptor la llave de fijación en apagado del interruptor. Guarde la llave en un lugar seguro.

# Utilización

## Corte a inglete

Un corte a inglete se hace a cualquier ángulo de inglete en la gama de 0-47°. La escala de ingletes está fundida en la base para facilitar la lectura. Se han provisto retenes positivos para cortar ingletes de manera rápida y precisa a 0°, 22.5° y 45°.

## Preparación de la sierra para cortar ingletes

Vea la figura 12.

1. Afloje y retire el pomo de fijación del tope-guía.
2. Coloque el tope-guía en la posición de corte de inglete, ubicando el pasador de inglete del tope-guía en el agujero ubicado en la mesa.
3. Coloque de nuevo el pomo de fijación del tope-guía en el agujero roscado.
4. Asegúrese de que los trinquetes antirretroceso y el soporte de sujeción delantero estén en su posición completamente hacia arriba para cortar ingletes.

## Posición del cuerpo y de las manos

Vea la figura 13.

- Mantenga la pieza de trabajo firmemente contra el tope-guía para impedir el movimiento.
- Mantenga las manos alejadas de la hoja y su trayectoria de corte hasta que el interruptor se haya puesto en la posición de apagado y la hoja se haya detenido por completo.
- Mantenga los pies / las rodillas firmemente en el piso y mantenga un equilibrio apropiado.
- Si está siguiendo una línea de lápiz, alinee la pieza de trabajo con la sección de corte de la placa de inserción.
- Antes de hacer cualquier corte, con la sierra apagada, deslice la sierra hacia la pieza de trabajo para tener una vista previa de la trayectoria de la hoja.

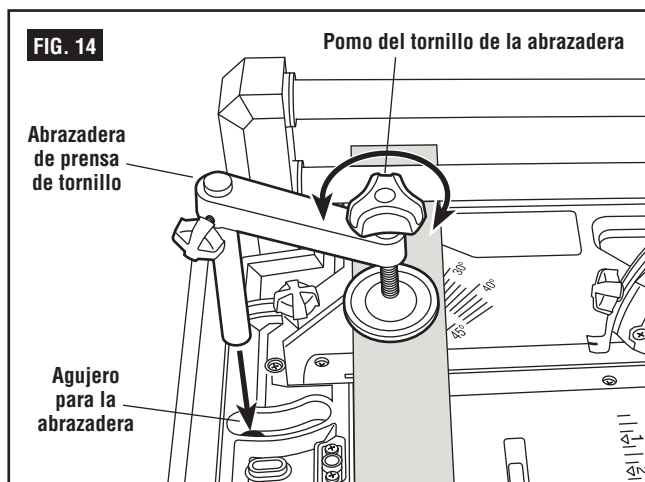
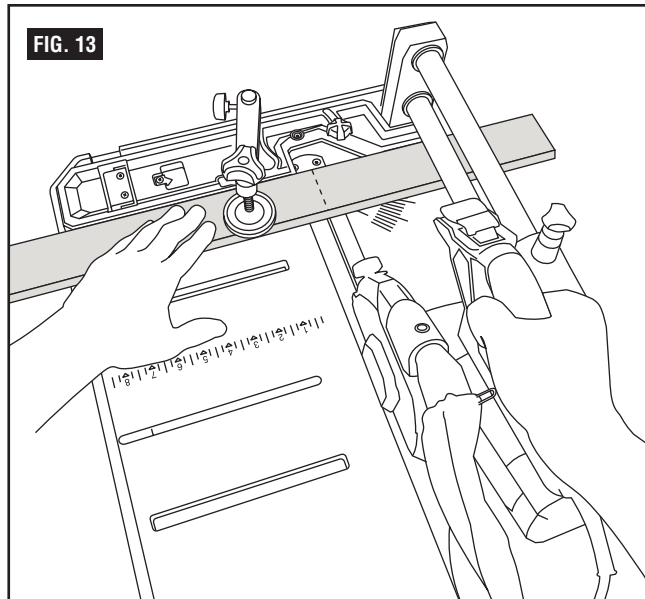
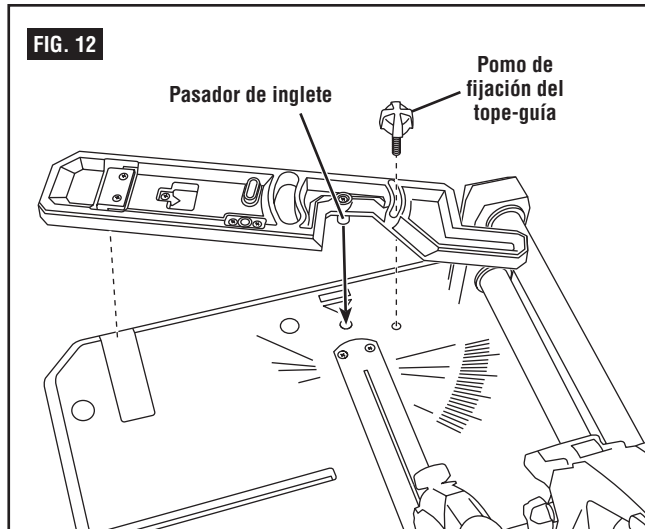
## Soporte de la pieza de trabajo

Vea la figura 14.

**Abrazadera de prensa de tornillo:** Esta abrazadera sujeta fácilmente una pieza de trabajo.

1. Inserte el poste de la abrazadera en el agujero para la abrazadera.
2. Gire el pomo del tornillo ubicado en la abrazadera en el sentido de las agujas del reloj para apretarlo y en sentido contrario al de las agujas del reloj para aflojarlo.
3. Deslice el ensamblaje de la sierra para comprobar la holgura con la abrazadera.

**Soporte para piezas de trabajo largas:** Soporte las piezas de trabajo largas para evitar que se comben. Utilice un bloque de 2x4 cortado para soportar las piezas de trabajo largas.



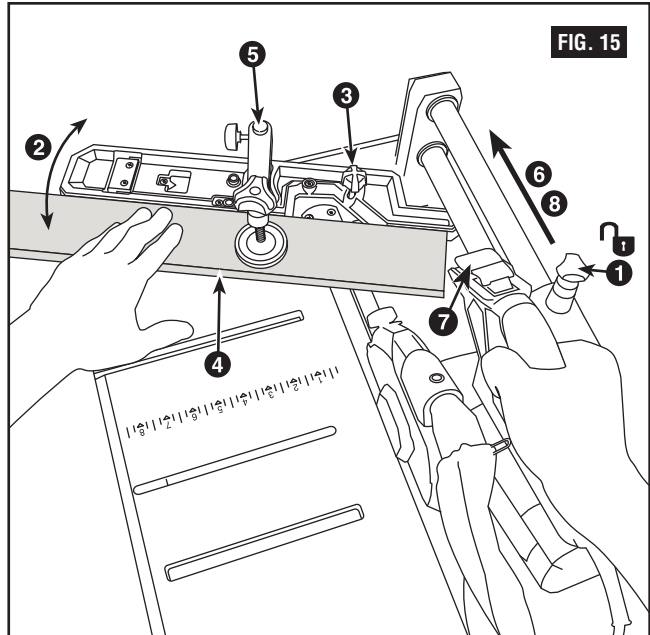


## Utilización

### Realización de un corte a inglete

Vea la figura 15.

1. Asegúrese de que el interruptor esté en la posición de "apagado" y suelte el cierre del ensamblaje de la sierra.
2. Mueva el tope-guía hasta el ángulo deseado, utilizando los retenes o la escala de ingletes.
3. Apriete el pomo de fijación.
4. Posicione apropiadamente la pieza de trabajo.
5. Asegúrese de que la pieza de trabajo esté sujeta firmemente con la abrazadera contra la mesa y el tope-guía. Utilice una posición de fijación con abrazadera que no interfiera con la operación.
6. Antes de encender la sierra, deslice el ensamblaje de la sierra para asegurarse de que la abrazadera no toque el protector ni el ensamblaje de la sierra.
7. Active el interruptor.
8. Deslice el ensamblaje de la sierra y haga el corte.
9. Ponga el interruptor en la posición de APAGADO y espere hasta que la hoja se detenga por completo antes de hacer regresar el ensamblaje de la sierra y/o retirar la pieza de trabajo.



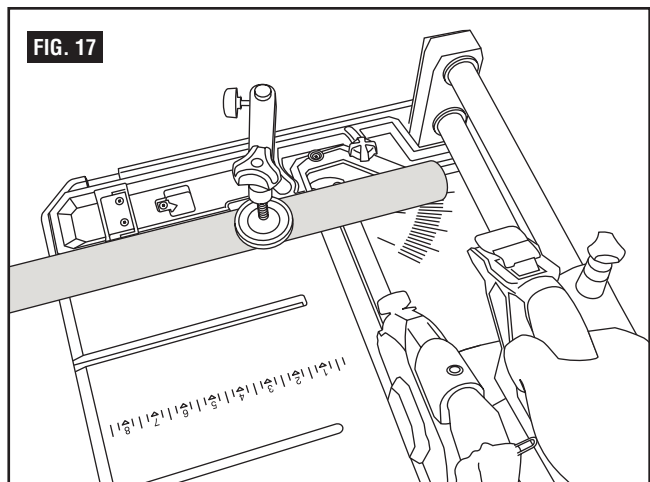
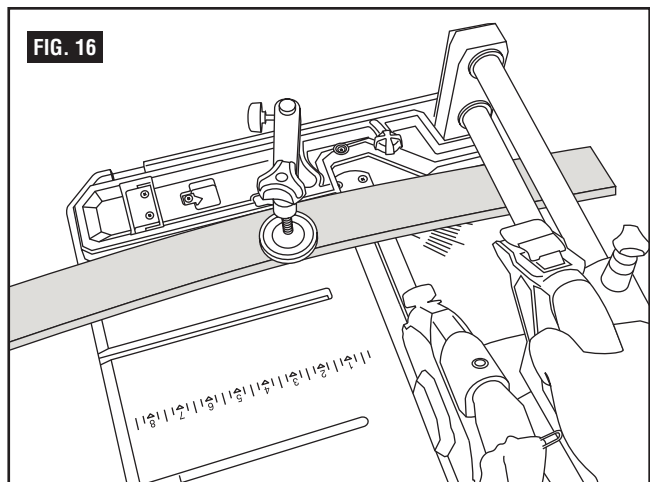
### Cortes especiales

#### Corte de material combado

Si una pieza de trabajo está combada o arqueada, sujétela con abrazaderas con la cara arqueada exterior orientada hacia el tope-guía (Figura 16). Asegúrese siempre que no haya holgura entre la pieza de trabajo, el tope-guía y la mesa a lo largo de la línea de corte. Las piezas de trabajo dobladas o arqueadas se pueden torcer u oscilar y pueden causar atoramiento en la hoja de sierra que gira durante el corte.

#### Corte de material redondo o irregular

**Para material redondo, tal como espigas o tubos, utilice siempre una abrazadera o un dispositivo diseñado para sujetar con abrazaderas la pieza de trabajo firmemente contra el tope-guía y la mesa.** Las espigas tienen tendencia a rodar mientras son cortadas, haciendo que la hoja "muerda" y tire de la pieza de trabajo y su mano hacia la hoja (Figura 17).



## Utilización

### Utilización del tope-guía para cortar al hilo

El CORTE AL HILO se conoce como cortar un pedazo de madera con la veta, o longitudinalmente.

EL CORTE AL HILO se realiza utilizando el TOPE-GUÍA PARA CORTAR AL HILO junto con el PALO DE EMPUJAR.

Se incluye un palo de empujar con su sierra para cortar pisos. Si su palo de empujar se ha perdido o dañado, puede hacer un palo de empujar utilizando un pedazo de 1 x 2, tal y como se muestra en la figura 18.

Utilice un palo de empujar siempre que el tope-guía esté a 1-3/4 pulgadas o más de la hoja. Utilice un pedazo de madera de desecho cuando la operación sea demasiado estrecha (menos de 1-3/4 pulgadas) para permitir el uso de un palo de empujar.

Se debe usar tanto un palo de empujar como un pedazo de madera de desecho en lugar de la mano del usuario para guiar el material solamente entre el tope-guía y la hoja.

Cuando utilice un palo de empujar o un pedazo de madera de desecho, el extremo de salida de la taba debe estar en ángulo recto. Un palo de empujar o un pedazo de madera de desecho contra un extremo desigual podría resbalar o empujar la pieza de trabajo alejándola del tope-guía.

Para su propia seguridad, observe siempre las siguientes precauciones de seguridad además de las instrucciones de seguridad que aparecen en las páginas 42-46.

No haga nunca estos cortes A PULSO (sin utilizar el tope-guía para cortar ingleses) porque la hoja podría atorarse en el corte y causar un RETROCESO.

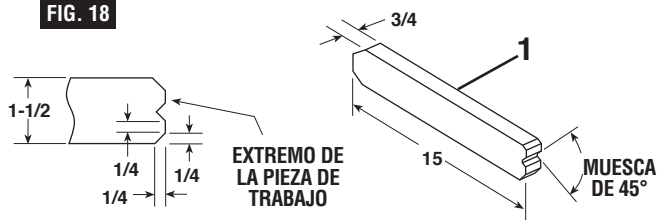
Bloquee siempre de manera segura el tope-guía para cortar al hilo cuando lo esté utilizando.

Compruebe frecuentemente la acción de los TRINQUETES ANTI-RRETROCESO pasando la pieza de trabajo junto al lado del separador mientras la sierra está APAGADA.

Tire de la pieza de trabajo HACIA USTED. Si los TRINQUETES no se CLAVAN en la pieza de trabajo y la SUJETAN, los trinquetes antirretroceso deben ser REEMPLAZADOS. Consulte "Mantenimiento" en la página 60.

No se sitúe directamente enfrente de la hoja en caso de un RETRO-

FIG. 18



CESO. Sitúese a uno de los dos lados de la hoja.

Mantenga las manos alejadas de la hoja y fuera de la trayectoria de la hoja.

Si la hoja pierde velocidad o se detiene mientras está cortando, PONGA EL INTERRUPTOR EN LA POSICIÓN DE APAGADO antes de intentar liberar la hoja.

No ponga las manos sobre o detrás de la hoja para tirar de la pieza de trabajo a través del corte... para soportar piezas de trabajo largas o pesadas... para retirar piezas cortadas pequeñas de material o POR NINGÚN OTRO MOTIVO.

No recoja pedazos pequeños de material cortado que estén en la mesa. RETÍRELOS empujándolos hasta FUERA de la mesa con un palo largo. De lo contrario podría ser lanzados de vuelta hacia usted por la parte delantera de la hoja.

No retire pedazos pequeños de material cortado que puedan quedar ATRAPADOS dentro del protector de la hoja mientras la SIERRA esté FUNCIONANDO. ESTO PODRÍA PONER EN PELIGRO LAS MANOS DEL USUARIO o causar un RETROCESO. APAGUE la sierra. Después de que la hoja haya dejado de girar, levante el protector y retire la pieza.

Si la pieza de trabajo está combada, coloque el lado CÓNCAVO hacia ABAJO. Esto impedirá que oscile mientras es cortada al hilo.

## Utilización

### Corte al hilo

#### Preparación de la sierra para cortar al hilo

Vea la figura 19.

1. Posicione el ensamblaje de la sierra en el centro del riel.
2. Inserte el pomo de fijación del ensamblaje de la sierra en el agujero ubicado en el riel y asegúrese de que el ensamblaje de la sierra esté bloqueado en su sitio.
3. Retire el pomo de fijación del tope-guía y retire el tope-guía de la posición de inglete.
4. Posicione la pieza roscada en el lado derecho de la mesa.
5. Posicione el tope-guía en la mesa para cortar al hilo.
6. Coloque de nuevo el pomo de fijación del tope-guía en la pieza roscada.
7. Ajuste el soporte de sujeción delantero a aproximadamente 1/16 de pulgada sobre la pieza de trabajo.
8. Baje los trinquetes antirretroceso hasta su posición más baja.

#### Realización de un corte al hilo

Vea la figura 20.

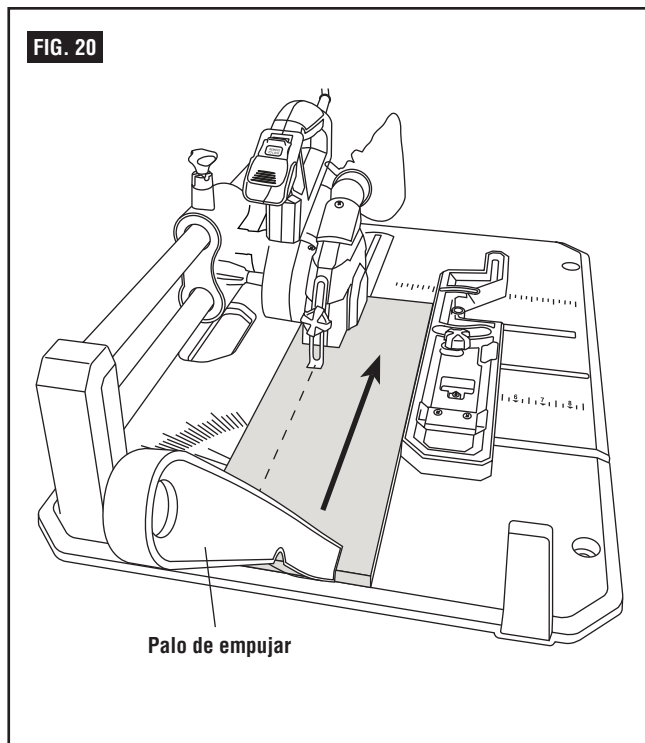
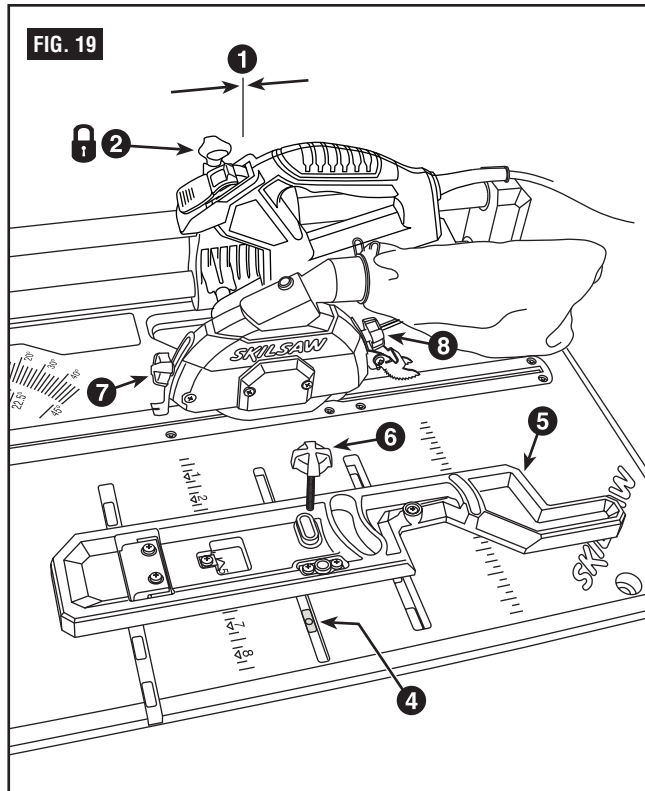
1. Asegúrese de que el interruptor esté en la posición de "apagado" y que el ensamblaje de la sierra esté en la posición bloqueada.
2. Posicione el tope-guía a la anchura de corte al hilo deseada y bloquéelo en la posición deseada. Antes de comenzar a cortar al hilo, asegúrese de que:
  - a. El tope-guía para cortar al hilo esté paralelo a la hoja de sierra.
  - b. La cuchilla separadora esté alineada apropiadamente con la hoja de sierra.
  - c. Los trinquetes antirretroceso estén funcionando apropiadamente.
3. Encienda la sierra y comience a hacer avanzar la madera hacia la hoja, asegurándose de que el borde de la madera esté contra el tope-guía para cortar al hilo.

Manténgase a un lado de la pieza de trabajo mientras hace avanzar dicha pieza hacia la sierra, para evitar que ocurra retroceso.

Utilice el palo de empujar para completar el corte de manera que se pase la hoja de sierra. El uso de un palo de empujar es esencial para ayudar a garantizar la seguridad mientras se utiliza la sierra.

Haga avanzar la madera hacia la hoja a una velocidad suave y uniforme. Mantenga la madera en movimiento y no se detenga nunca mientras realiza el corte, ya que si lo hace podría causar un corte desigual y defectuoso.

4. Apague la sierra después de haber atravesado la pieza de madera. Deje que la hoja de sierra se detenga por completo antes de retirar las piezas de madera.



# Mantenimiento de la sierra para cortar pisos

## Mantenimiento

**ADVERTENCIA** Para su propia seguridad, ponga todos los interruptores en la posición de "APAGADO" y saque el enchufe del tomacorriente de la fuente de alimentación antes de hacer mantenimiento de la sierra o lubricarla.

No deje que el aserrín se acumule dentro de la sierra. Sople frecuentemente con aire comprimido todo polvo que se acumule dentro del gabinete de la sierra y el motor. Limpie las herramientas de corte con un quitagoma y quitaresina.

El cable de alimentación y la herramienta se deben limpiar con un paño limpio y seco para evitar el deterioro causado por el aceite y la grasa.

**ADVERTENCIA** Ciertos agentes limpiadores y solventes de limpieza pueden dañar las piezas de plástico. Algunos de éstos son: gasolina, tetracloruro de carbono, solventes de limpieza clorados, amoníaco y detergentes domésticos que contienen amoníaco. Si se evita el uso de éstos y otros tipos de agentes de limpieza, se minimizará la posibilidad de daños.

Una capa de cera tipo automóvil aplicada a la mesa ayudará a mantener la superficie limpia y permitirá que las piezas de trabajo se deslicen más libremente.

Si el cable de alimentación está desgastado o cortado, o dañado de alguna otra manera, haga que lo reemplacen de inmediato.

Asegúrese de que los dientes de los trinquetes antirretroceso estén siempre afilados. Para afilarlos: retire los trinquetes antirretroceso de la sierra y afile los dientes utilizando una lima pequeña (de corte fino).

**ADVERTENCIA** Todas las reparaciones, eléctricas o mecánicas, deben ser intentadas únicamente por técnicos de reparaciones capacitados. Contacte el Centro de Servicio de Fábrica más cercano o la Estación de Servicio Autorizada más próxima u otro servicio de reparación competente. Utilice únicamente piezas de repuesto idénticas; cualquier otra pieza podría crear un peligro.

## Accesorios

**ADVERTENCIA** Utilice únicamente accesorios recomendados. Siga las instrucciones que acompañan a los accesorios. El uso de accesorios incorrectos puede causar un incendio.

## Resolución de problemas

**ADVERTENCIA** Ponga el interruptor en la posición de apagado y retire siempre el enchufe de la fuente de alimentación antes de realizar resolución de problemas.

DIFICULTAD	PROBLEMA	SOLUCIÓN
No arranca	El cordón no está enchufado.	Enchúfelo
	Fusible se ha fundido o el cortacircuito ha saltado.	Reemplace el fusible o reajuste el cortacircuito que haya saltado
	Cordón dañado.	Haga que un Centro de Servicio Skil Autorizado o una Estación de Servicio Skil Autorizada reemplace el cordón
	Interruptor quemado.	Haga que un Centro de Servicio Skil Autorizado o una Estación de Servicio Skil Autorizada reemplace el interruptor.
No alcanza la velocidad completa	El cordón de extensión es demasiado ligero o demasiado largo.	Reemplácelo con el cordón adecuado.
	Voltaje doméstico bajo.	Contacte a su compañía eléctrica.
Vibración excesiva	Hoja desequilibrada.	Tire la hoja y use una hoja distinta. Consulte la página 53.
	La sierra no está montada de modo seguro en una base de soporte o un banco de trabajo.	Apriete todos los herrajes de montaje.
	El perno de la hoja no está apretado.	Consulte "Remoción e instalación de la hoja", página 53.

# Notes:





**Remarques :**

**Notas:**



### LIMITED WARRANTY OF SKIL CONSUMER BENCHTOP POWER TOOLS

Robert Bosch Tool Corporation ("Seller") warrants to the original purchaser only, that all SKIL consumer benchtop power tools will be free from defects in material or workmanship for a period of three years from date of purchase, if original purchaser registers the product within 30 days from purchase. Product registration can be completed online at [www.skil.com](http://www.skil.com) or by mail with the registration card included in the packaged product. Original purchasers should also retain their receipt as proof of purchase. Original purchasers that do not register their product will receive the standard Skil one year home use warranty. SKIL consumer benchtop portable power tool models will be free from defects in material or workmanship for a period of ninety days if the tool is used for professional use.

SELLER'S SOLE OBLIGATION AND YOUR EXCLUSIVE REMEDY under this Limited Warranty and, to the extent permitted by law, any warranty or condition implied by law, shall be the repair or replacement of parts, without charge, which are defective in material or workmanship and which have not been misused, carelessly handled, or misrepaired by persons other than Seller or Authorized Service Station. To make a claim under this Limited Warranty, you must return the complete product, transportation prepaid, to any SKIL Factory Service Center or Authorized Service Station. For Authorized SKIL Power Tool Service Stations, please visit [www.skil.com](http://www.skil.com) or call 1-877-SKIL-999 (1-877-754-5999).

THIS LIMITED WARRANTY DOES NOT APPLY TO ACCESSORY ITEMS SUCH AS CIRCULAR SAW BLADES, DRILL BITS, ROUTER BITS, JIGSAW BLADES, SANDING BELTS, GRINDING WHEELS AND OTHER RELATED ITEMS.

ANY IMPLIED WARRANTIES SHALL BE LIMITED IN DURATION TO ONE YEAR FROM DATE OF PURCHASE. SOME STATES IN THE U.S., SOME CANADIAN PROVINCES DO NOT ALLOW LIMITATIONS ON HOW LONG AN IMPLIED WARRANTY LASTS, SO THE ABOVE LIMITATION MAY NOT APPLY TO YOU.

IN NO EVENT SHALL SELLER BE LIABLE FOR ANY INCIDENTAL OR CONSEQUENTIAL DAMAGES (INCLUDING BUT NOT LIMITED TO LIABILITY FOR LOSS OF PROFITS) ARISING FROM THE SALE OR USE OF THIS PRODUCT. SOME STATES IN THE U.S. AND SOME CANADIAN PROVINCES DO NOT ALLOW THE EXCLUSION OR LIMITATION OF INCIDENTAL OR CONSEQUENTIAL DAMAGES, SO THE ABOVE LIMITATION OR EXCLUSION MAY NOT APPLY TO YOU.

THIS LIMITED WARRANTY GIVES YOU SPECIFIC LEGAL RIGHTS, AND YOU MAY ALSO HAVE OTHER RIGHTS WHICH VARY FROM STATE TO STATE IN THE U.S., PROVINCE TO PROVINCE IN CANADA AND FROM COUNTRY TO COUNTRY.

THIS LIMITED WARRANTY APPLIES ONLY TO PRODUCTS SOLD WITHIN THE UNITED STATES OF AMERICA, CANADA AND THE COMMONWEALTH OF PUERTO RICO. FOR WARRANTY COVERAGE WITHIN OTHER COUNTRIES, CONTACT YOUR LOCAL SKIL DEALER OR IMPORTER.

### GARANTIE LIMITÉE DES OUTILS ÉLECTRIQUES GRAND PUBLIC SKIL DE TABLE

Robert Bosch Tool Corporation (le « Vendeur ») garantit à l'acheteur initial seulement que tous les outils électriques grand public SKIL de table seront exempts de vices de matériau ou de façon pendant une période de trois ans depuis la date d'achat si l'acheteur initial enregistre le produit dans les 30 jours suivant l'achat. L'enregistrement du produit peut être effectué en ligne à [www.skil.com](http://www.skil.com) ou par courrier postal en renvoyant la carte d'enregistrement incluse dans l'emballage du produit. Les acheteurs initiaux doivent également conserver leur reçu comme justificatif de leur achat. Les acheteurs initiaux qui n'enregistrent pas leur produit recevront la garantie Skil standard d'un an pour les produits utilisés à domicile. Les modèles d'outils électriques grand public SKIL de table sont garantis exempts de vices de matériau ou de façon pendant une période de quatre-vingt-dix jours si l'outil est utilisé professionnellement.

LA SEULE OBLIGATION DU VENDEUR ET LE SEUL RECOURS DE L'ACHETEUR sous la présente garantie limitée, et dans la mesure où la loi le permet sous toute garantie ou condition implicite qui en découlerait, sera l'obligation de remplacer ou réparer gratuitement les pièces défectueuses en termes de matériau ou de façon, pourvu que lesdites déficiences ne soient pas attribuables à un usage abusif ou à quelque réparation ou altération bricolée par quelqu'un d'autre que le Vendeur ou le personnel d'une station-service agréée. En cas de réclamation sous la présente garantie limitée, l'acheteur est tenu de renvoyer l'outil complet en port payé à un centre de service-usine SKIL ou une station-service agréée. Pour trouver les coordonnées de la station-service agréée SKIL la plus proche, veuillez visiter [www.skil.com](http://www.skil.com) ou téléphoner au 1-877-SKIL-999 (1-877-754-5999).

LA PRÉSENTE GARANTIE NE S'APPLIQUE PAS AUX ACCESSOIRES TELS QUE LAMES DE SCIE CIRCULAIRE, MÊCHES DE PERCEUSES, FERS DE TOUPIES, LAMES DE SCIES SAUTEUSES, COURROIES DE PONÇAGE, MEULES ET AUTRES ARTICLES DU GENRE.

TOUTE GARANTIE IMPLICITE SERA LIMITÉE À UNE DURÉE À UN AN À COMPTER DE LA DATE D'ACHAT. COMME CERTAINS ÉTATS AMÉRICAINS ET CERTAINES PROVINCES CANADIENNES N'ADMETTENT PAS LE PRINCIPE DE LA LIMITATION DE LA DURÉE DES GARANTIES IMPLICITES, IL EST POSSIBLE QUE LES LIMITATIONS CI-DESSUS NE S'APPLIQUENT PAS À VOTRE CAS.

EN AUCUN CAS LE VENDEUR NE SAURAIT ÊTRE TENU POUR RESPONSABLE DES INCIDENTS OU DOMMAGES INDIRECTS (INCLUANT, MAIS NE SE LIMITANT PAS AUX PERTES DE PROFITS) CONSÉCUTIFS À LA VENTE OU À L'USAGE DE CE PRODUIT. COMME CERTAINS ÉTATS AMÉRICAINS ET CERTAINES PROVINCES CANADIENNES N'ADMETTENT PAS LE PRINCIPE DE LA LIMITATION OU DE L'EXCLUSION DES DOMMAGES INDIRECTS ET SECONDAIRES, IL EST POSSIBLE QUE LES LIMITATIONS OU EXCLUSIONS CI-DESSUS NE S'APPLIQUENT PAS À VOTRE CAS.

CETTE GARANTIE LIMITÉE VOUS DONNE DES DROITS PRÉCIS, ET VOUS POUVEZ ÉGALEMENT AVOIR D'AUTRES DROITS QUI VARIENT D'UN ÉTAT À L'AUTRE AUX ÉTATS-UNIS, D'UNE PROVINCE À L'AUTRE AU CANADA, ET D'UN PAYS À L'AUTRE.

CETTE GARANTIE LIMITÉE S'APPLIQUE UNIQUEMENT AUX OUTILS VENDUS AUX ÉTATS-UNIS D'AMÉRIQUE, AU CANADA ET DANS LE COMMONWEALTH DE PORTO RICO. POUR CONNAÎTRE LA COUVERTURE DE GARANTIE DANS LES AUTRES PAYS, CONTACTEZ VOTRE IMPORTATEUR OU REVENDEUR SKIL LOCAL.

### GARANTÍA LIMITADA PARA HERRAMIENTAS ELÉCTRICAS DE BANCO DE CONSUMO SKIL

Robert Bosch Tool Corporation ("el Vendedor") garantiza, únicamente al comprador original, que todas las herramientas eléctricas de banco de consumo SKIL estarán libres de defectos de material o de fabricación durante un período de tres años a partir de la fecha de compra, si el comprador original registra el producto dentro del plazo de 30 días después de la fecha de compra. El registro del producto se puede completar a través de Internet en [www.skil.com](http://www.skil.com) o por correo con la tarjeta de registro incluida en el producto empaquetado. Los compradores originales también deberán retener su recibo como comprobante de compra. Los compradores originales que no registren su producto recibirán la garantía de uso doméstico de un año Skil estándar. Los modelos de herramientas eléctricas portátiles de banco de consumo SKIL estarán libres de defectos de material o de fabricación durante un período de noventa días si la herramienta se emplea para uso profesional.

LA ÚNICA OBLIGACIÓN DEL VENDEDOR Y EL RECURSO EXCLUSIVO QUE USTED TIENE bajo esta Garantía Limitada y, hasta donde la ley lo permita, bajo cualquier garantía o condición implícita por ley, consistirá en la reparación o sustitución sin costo de las piezas que presenten defectos de material o de fabricación y que no hayan sido utilizadas incorrectamente, manejadas descuidadamente o reparadas incorrectamente por personas que no sean el Vendedor o una Estación de servicio autorizada. Para efectuar una reclamación bajo esta Garantía Limitada, usted debe devolver el producto completo, con el transporte prepago, a cualquier Centro de servicio de fábrica SKIL o Estación de servicio SKIL autorizada. Para localizar Estaciones de servicio autorizadas de herramientas mecánicas SKIL, sírvase visitar [www.skil.com](http://www.skil.com) o llame al 1-877-SKIL-999 (1-877-754-5999).

ESTA GARANTÍA LIMITADA NO SE APLICA A ARTÍCULOS ACCESORIOS TALES COMO HOJAS PARA SIERRAS CIRCULARES, BROCAS PARA TALADROS, BROCAS PARA FRESADORAS, HOJAS PARA SIERRAS DE VAIVÉN, CORREAS PARA LIJAR, RUEDAS DE AMOLAR Y OTROS ARTÍCULOS RELACIONADOS.

TODAS LAS GARANTÍAS IMPLÍCITAS TENDRÁN UNA DURACIÓN LIMITADA A UN AÑO A PARTIR DE LA FECHA DE COMPRA. ALGUNOS ESTADOS DE LOS EE.UU. Y ALGUNAS PROVINCIAS CANADIENSES NO PERMITEN LIMITACIONES EN CUANTO A LA DURACIÓN DE UNA GARANTÍA IMPLÍCITA, POR LO QUE ES POSIBLE QUE LA LIMITACIÓN ANTERIOR NO SEA APLICABLE EN EL CASO DE USTED.

EL VENDEDOR NO SERÁ RESPONSABLE EN NINGÚN CASO DE NINGÚN DAÑO INCIDENTAL O EMERGENTE (INCLUYENDO PERO NO LIMITADO A RESPONSABILIDAD POR PÉRDIDA DE BENEFICIOS) QUE SE PRODUZCA COMO CONSECUENCIA DE LA VENTA O UTILIZACIÓN DE ESTE PRODUCTO. ALGUNOS ESTADOS DE LOS EE.UU. Y ALGUNAS PROVINCIAS CANADIENSES NO PERMITEN LA EXCLUSIÓN O LIMITACIÓN DE LOS DAÑOS INCIDENTALES O EMERGENTES, POR LO QUE ES POSIBLE QUE LA LIMITACIÓN O EXCLUSIÓN ANTERIOR NO SEA APLICABLE EN EL CASO DE USTED.

ESTA GARANTÍA LIMITADA LE CONFIERE A USTED DERECHOS LEGALES ESPECÍFICOS Y ES POSIBLE QUE USTED TAMBIÉN TENGA OTROS DERECHOS QUE VARIAN DE ESTADO A ESTADO EN LOS EE.UU., DE PROVINCIA A PROVINCIA EN CANADÁ Y DE PAÍS EN PAÍS.

ESTA GARANTÍA LIMITADA SE APLICA SÓLO A LOS PRODUCTOS VENDIDOS EN LOS ESTADOS UNIDOS DE AMÉRICA, CANADÁ Y EL ESTADO LIBRE ASOCIADO DE PUERTO RICO. PARA COBERTURA DE GARANTÍA EN OTROS PAÍSES, PÓNGASE EN CONTACTO CON SU DISTRIBUIDOR O IMPORTADOR LOCAL DE SKIL.

© Robert Bosch Tool Corporation 1800 W. Central Road Mt. Prospect, IL 60056-2230

Exportado por: Robert Bosch Tool Corporation Mt. Prospect, IL 60056-2230, E.U.A.

Importado a México por: Robert Bosch, S.A. de C.V., Calle Robert Bosch No. 405, Zona Industrial, Toluca, Edo. de México, C.P. 50070, Tel. (722) 2792300