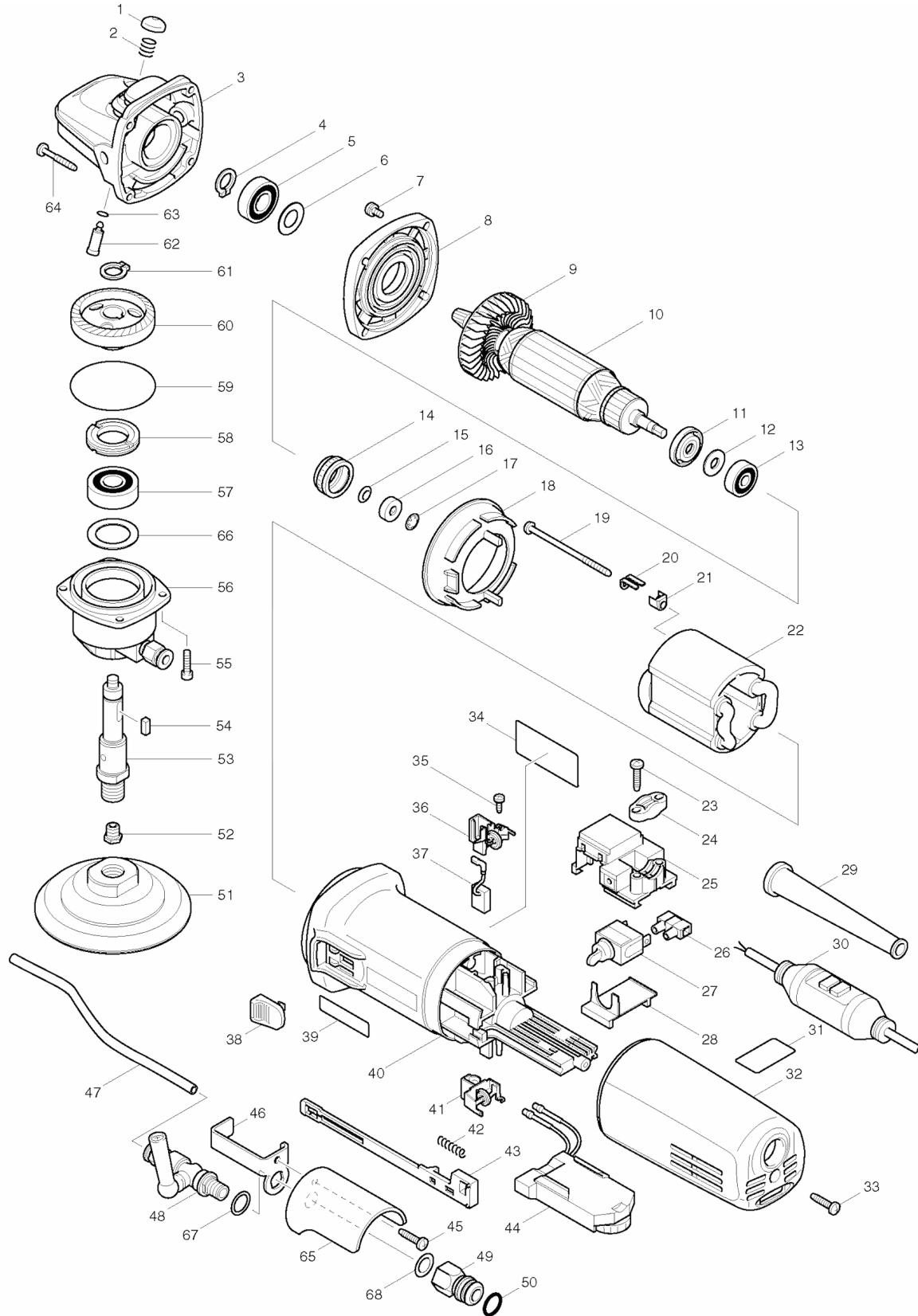




[Click Here To View](#)
[Item at](#)

www.GapPower.com

*Sales • Rentals
Parts & Service*





Parts Breakdown

PW5001C

Products with multiple versions are listed in subsiding order with the newest version on top not indented

<u>Fig #</u>	<u>Part ID</u>	<u>Part Name</u>	<u>Quantity</u>
1	418067-8	PIN CAP, PW5001C	1
	417236-8	PIN CAP, 9566CV	
2	233072-2	COMPRESSION SPRING 8, 9564CV	1
3	153488-4	GEAR HOUSING CPLT., PW5001C	1
	153718-3	GEAR HOUSING CPL.,PW5001C	
4	961052-5	RETAINING RING S-12, LS1016L	1
5	210105-0	BALL BEARING 6001LLU, PW5001C	1
	211131-2	BALL BEARING 6001DDW,BO4556	
6	253084-9	F. WASHER 12, 5014NB	1
7	652014-1	P.H. SCREW M4X8, 2708	1
8	317736-7	GEAR HOUSING COVER, PW5001C	1
9	240033-5	FAN 57, BO6040	1
10	515266-4	ARMATURE ASS'Y 115V, PW5001C	1
11	681656-4	INSULATION WASHER, GD0800C	1
12	253823-7	F. WASHER 7, LS1011	1
13	210027-4	BALL BEARING 627DDW, BO6040	1
14	421738-8	LABYRINTH RUBBER RING 22, BO6040	1
15	267756-0	WAVE WASHER 6, RT0700C	1
16	688117-5	MAGNET SLEEVE, GD0800C	1
17	259039-2	SELF LOCK 6, RT0700C	1
18	418452-5	BAFFLE PLATE, PW5001C	1
19	266258-3	TAPPING SCREW 4X70, 9563CV	2
20	344871-8	RETAINER, GD0800C	2
21	417237-6	INSULATION COVER, 9564CV	2
22	626546-4	FIELD 115V, PW5001C	1
23	265995-6	TAPPING SCREW 4X18, BO4556K	2
24	687063-9	STRAIN RELIEF, 4323K	1
25	632999-7	SWITCH BLOCK, GD0800C	1
26	654532-5	TERMINAL BLOCK, BO4556	1
27	651418-4	SWITCH, 9564CV	1
28	687113-0	COVER, GD0800C	1
29	682559-5	CORD GUARD 8, 6824	1
30	699025-5	POWER SUPPLY CORD UNIT, PW5001C	1
31	816399-1	INDICATION LABEL, PW5001C	1
32	418453-3	REAR COVER, PW5001C	1
	158195-4	REAR COVER, PW5001C	
	418453-3	REAR COVER, PW5001C	
33	265995-6	TAPPING SCREW 4X18, BO4556K	1
34	860103-0	NAME PLATE, PW5001C	1
35	266256-7	TAPPING SCREW PT3X10, GD0800C	4
36	643765-7	BRUSH HOLDER, PW5001C	1
37	CB336	CARBON BRUSH SET, 195396-3	1
	CB318	CARBON BRUSH SET, 194999-0	
	195396-3	CARBON BRUSH SET, CB336	
	194999-0	CARBON BRUSH SET, 194999-0	
	191978-9	CARBON BRUSH SET CB-318,GD0800C	
38	417813-6	SWITCH KNOB, BO6040	1
40	418512-3	MOTOR HOUSING, PW5001C	1
	153757-3	MOTOR HOUSING CPL.,PW5001C	
41	643765-7	BRUSH HOLDER, PW5001C	1
42	233071-4	COMPRESSION SPRING 4, JN1601	1
43	417186-7	SWITCH LEVER, 9563CV	1
44	631594-0	CONTROLLER, PW5001C	1
45	265995-6	TAPPING SCREW 4X18, BO4556K	1
46	345372-9	PLATE, PW5001C	1
47	245031-4	HOSE, PW5001C	1
48	154649-9	VALVE CPLT., PW5001C	1
	153716-7	COCK CPL.,PW5001C	



Parts Breakdown

PW5001C

49	331669-2	HOSE JOINT, PW5001C	1
50	213107-5	O RING 12, JR3000V	1
51	743079-5	RUBBER PAD 100, PW5001C	1
52	325967-4	NOZZLE, PW5001C	1
	324407-9	NOZZLE, PW5001C	
53	324408-7	SPINDLE, PW5001C	1
54	254202-2	KEY 4, 9924DB	1
55	265490-6	HEX BOLT M4 X 16, 9560CV	4
56	153717-5	HOUSING W/O BEARING, PW5001C	1
57	211129-9	BALL BEARING 6201DDW, GA4030	1
58	285841-7	BEARING RETAINER 19-33, 9566CV	1
59	213673-2	O RING 52, 9561CV	1
60	227455-6	SPIRAL BEVEL GEAR 38, PW5001C	1
61	961052-5	RETAINING RING S-12, LS1016L	1
62	256459-1	PIN, 9564CV	1
63	213048-5	O RING 6, 9561CV	1
64	266257-5	TAPPING SCREW M4X28, 9561CV	4
65	162235-2	COVER, PW5001C	1
66	267126-3	FLAT WASHER 22, GD0601	1
67	261128-1	RUBBER WASHER 12, PW5001C	1
68	261127-3	TEFLON WASHER 10, PW5001C	1
	153489-2	GRIP 36, 9557NB	1
	152490-4	GRIP 36, 9227C	
	265083-9	F.H. SCREW M8X11, BO6040	2
	141122-8	HEAD COVER CPL., PW5001C	1
	417322-5	HEAD COVER, 9564CVL	
	781008-0	WRENCH 17, 9217SPC	1
	418507-6	FRONT GRIP, PW5001C	1
	783204-6	HEX WRENCH 6, 5007F	1
	941201-0	F. WASHER 8, 5007NK	2
	922422-3	H.S.H. BOLT M8X16, PJ7000	2
	154662-7	DUST COVER CPL., PW5001C	1
	345587-8	BAND A, PW5001C	1
	345588-6	BAND B, PW5001C	1
	251391-4	P.H.SCREW M5X16,9523NB	2
	810229-8	N/A	1