



Illustrated Parts Manual

Models

G5-18A

SN 0160091004 to 0160100938
Including 0160088263 & 0160088264
and Excluding 0160091013 through 0160091021

P/N
31211319

May 21, 2020 - Rev C



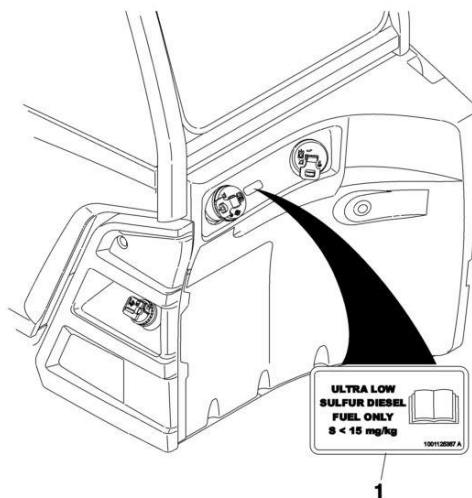
EFFECTIVITY PAGE

August 31, 2018 - A - Original Issue of Manual

January 18, 2019 - B - Revised Rev 1

May 21, 2020 - C - Revised Rev 1

Machine Configuration



Two configurations of each machine are included in this manual. Determine if machine is equipped with Ultra Low Sulfur Fuel Decal (1).

If equipped with the Ultra Low Sulfur decal, all specific references to this machine configuration will be referred to as Ultra Low Sulfur (ULS) from this point forward.

If not equipped with the Ultra Low Sulfur decal, all specific references to this machine configuration will be referred to as Low Sulfur (LS) from this point forward.

SECTION 9 - HYDRAULIC COMPONENTS (PRIOR TO SN XXXXXXXXX)
FIGURE 9-3 EXTEND/RETRACT CYLINDER - XXXX

MODEL XXXXXXXXX

SECTION 9 - HYDRAULIC COMPONENTS (PRIOR TO SN XXXXXXXXX)
FIGURE 9-3 EXTEND/RETRACT CYLINDER - XXXX

ITEM	PART NUMBER	QTY	DESCRIPTION	REV
	1001144195	1	Extend/Retract Cylinder - XXXXX	E
1	70025592	1	Assembly, Barrel	
2	70025593	1	Assembly, Rod	
3	70025594	1	Gland	
4	70025595	1	Head, Piston	
5	70025582	1	Screw, Locking	
6	70025596	1	Spacer	
7	Kit	1	O-Ring	
8	Kit	1	Ring, Back-Up	
9	Kit	1	Ring, Rod Bearing	
10	Kit	1	O-Ring	
11	Kit	1	Seal, Rod	
12	Kit	1	Ring, Rod Bearing	
13	Kit	1	Seal, Rod	
14	Kit	1	Seal, Wiper	
15	Kit	2	Ring, Piston Bearing	
16	Kit	1	Seal, Piston	
17	Kit	2	O-Ring	
101	70025587	1	Kit, Seal (includes items 7 thru 17)	

MODEL XXXXXXXXX

General Information

1. MACHINE IDENTIFICATION

Machines are identified by model and in some cases a combination of model, serial number (S/N) or regional standard (e.g. ANSI, CE, CSA, AUS). Components may also be identified by S/N or manufacturer. Common components that may be identified by these characteristics are attachments, engine, transmission and hydraulic components.

2. PARTS MANUAL ORGANIZATION

Product information in this manual is organized under section titles. Frame, Engine and Electrical are a few examples. Each section is organized by Figure and page number. The information within the Figure is then organized by item number, part number, description and corresponding illustration(s).

3. TABLE OF CONTENTS

A table of contents (TOC) is found toward the beginning of the manual. Figure number, description and page number are provided for quick reference to the page containing the related information.

4. RECOMMENDED SPARE PARTS

The Recommended Spare Parts, located near the end of the manual, references most frequently used maintenance parts.

5. PARTS NUMBER INDEX

A numerical index listing all part numbers and the corresponding page number(s) appears at the back of the manual.

6. NON-SERVICED PARTS

In some instances it is necessary to display non-serviced parts, assemblies or installations. In the case of assemblies and installations there will be a Ref in the QTY column and a note after the item description stating what is available for service within. In the case of parts that are not available for service within assemblies or components there will be a NSS (Not Sold Separately) listed in the part number column of the manual.

7. PARTS LIST ITEM NUMBERS

Numbers shown in the Item column correspond to numbers used in the associated illustration(s). Item numbers which are missing from sequence and are not shown in the illustration(s) are not used on that page.

8. INDENTED PART DESCRIPTION

An indented part description is included in the item under which it is indented.

9. ABBREVIATIONS AND SYMBOLS

AC.....	Alternating Current	LB.....	Pound
A/C.....	Air Conditioning	LBP.....	Low Boom Pivot
ADE.....	Advanced Design Electronics	LCD.....	Liquid Crystal Display
AG.....	Agriculture	LED.....	Light Emitting Diode
AMP.....	Amperage	LH.....	Left Hand
ANSI.....	American National Standards Institute	LHD.....	Left Hand Drive
AR.....	As Required	LHP.....	Low Horse Power
ASSY.....	Assembly	LMIS.....	Load Management Indicator System
AUS.....	Australia	LS.....	Low Sulfur
AUX.....	Auxiliary	LSI.....	Load Stability Indicator
AWG.....	American Wire Gauge	LSS.....	Load Sensing System
CAC.....	Charge Air Cooler	M ³	Cubic Meter
CE.....	European Conformity	MA.....	Milliamp
CM.....	Centimeter	M(m).....	Metric/Meter
CONST.....	Construction	MM.....	Millimeter
CSA.....	Canadian Standards Association	N.....	Newton
DEF.....	Diesel Exhaust Fluid	NACD.....	North America Construction Division
DIA.....	Diameter	NLA.....	No Longer Available
DC.....	Direct Current	NSS.....	Not Sold Separately
DTZ.....	Decentralized Transmission Zeros	OD.....	Outside Diameter
ECU.....	Electronic Control Unit	ORB.....	O-Ring Boss
EMS.....	Emergency Stop	ORFS.....	O-Ring Face Seal
FNR.....	Forward Neutral Reverse	OZ.....	Ounce
FT.....	Foot	PR.....	Ply Rating
GA.....	Gauge	QT.....	Quart
GR.....	Grade	QTY.....	Quantity
HBP.....	High Boom Pivot	REF.....	Reference
HHP.....	High Horse Power	REV.....	Revision
HOC.....	Hydraulic Oil Cooler	RH.....	Right Hand
HVAC.....	Heating, Ventilating, and Air Conditioning	RHD.....	Right Hand Drive
ID.....	Inside Diameter	RHOC.....	Remote Hydraulic Oil Cooler
IN.....	Inch	RUS.....	Russia
ISO.....	International Organization for Standards	SAE.....	Society of Automotive Engineers
ITSDF.....	Industrial Truck Standards Development Foundation	SAHR.....	Spring Applied Hydraulically Released
JIC.....	Joint Industry Council	SN.....	Serial Number
KG.....	Kilogram	SPD.....	Speed
KW.....	Kilowatt	TLU.....	Torque Lock Up
L.....	Liter	UGM.....	Universal Ground Module

10. ILLUSTRATION REFERENCE LETTERS

When necessary, illustrations may contain reference letters that are intended to track information from one point to another in the illustration such as harnesses and hoses or any other information that has been separated in the illustration

Note: Due to continuous product improvements, JLG Industries, Inc. reserves the right to make specification changes without prior notification. Contact JLG Industries, Inc. for updated information.

TABLE OF CONTENTS

SECTION 1 - FRAME AND ATTACHING PARTS.....	13
FIGURE 1-1. FRAME WELDMENT	14
FIGURE 1-2. HOODS INSTALLATION	16
FIGURE 1-3. HOOD ASSEMBLY	18
FIGURE 1-4. PAD LOCK.....	20
FIGURE 1-5. COUNTERWEIGHT INSTALLATION	22
FIGURE 1-6. TANK INSTALLATION	24
FIGURE 1-7. OIL TANK.....	26
FIGURE 1-8. FUEL TANK ASSEMBLY.....	28
FIGURE 1-9. FUEL CAP INSTALLATION.....	30
FIGURE 1-10. MIRROR INSTALLATION.....	32
FIGURE 1-11. REAR CONVEX MIRROR INSTALLATION	34
FIGURE 1-12. MIRROR ASSEMBLY (CONVEX)	36
FIGURE 1-13. WHEEL CHOCKS	38
FIGURE 1-14. BATTERY COVER INSTALLATION	40
FIGURE 1-15. REAR COVER PLATE INSTALLATION, (NO HITCH)	42
FIGURE 1-16. HITCH INSTALLATION, MECHANICAL	44
FIGURE 1-17. HITCH INSTALLATION, MECHANICAL, AUTOMATIC	46
FIGURE 1-18. HITCH INSTALLATION	48
FIGURE 1-19. HITCH INSTALLATION - EEC	50
FIGURE 1-20. HITCH ASSEMBLY (FIXED)	52
FIGURE 1-21. HITCH INSTALLATION - CUNA-C	54
FIGURE 1-22. HITCH ASSEMBLY (CUNA-C)	56
FIGURE 1-23. LICENSE HOLDER INSTALLATION, SMALL	58
FIGURE 1-24. LICENSE HOLDER INSTALLATION, LARGE	60
FIGURE 1-25. LIFT CYLINDER PROP SUPPORT	62
SECTION 2 - BOOM	65
FIGURE 2-1. BOOM ASSEMBLY INSTALLATION, STD W/AUX	66
FIGURE 2-2. BOOM ASSEMBLY INSTALLATION, W/AUX FOR QS	68
FIGURE 2-3. BOOM INSTALLATION, W/O AUX	70
FIGURE 2-4. BOOM W/O AUXILIARY HYDRAULIC INSTALLATION	72
FIGURE 2-5. COUPLER INSTALLATION (MANUAL)	76
FIGURE 2-6. COUPLER INSTALLATION (HYDRAULIC).....	78
FIGURE 2-7. FORK LOCKING CYLINDER KIT	80
FIGURE 2-8. COUPLER INSTALLATION, UNIVERSAL (MANUAL)	82
FIGURE 2-9. UNIVERSAL QUICK COUPLER ASSEMBLY	84
FIGURE 2-10. BOOM SIDE COVER INSTALLATION	86
FIGURE 2-11. BOOM BRUSHES INSTALLATION	88
SECTION 3 - ATTACHMENTS.....	91
FIGURE 3-1. CARRIAGE ASSEMBLY, (50INCH/1270MM)	92
FIGURE 3-2. CARRIAGE ASSEMBLY, UNIVERSAL QUICK ATTACH, (48IN/1219.2MM)	94
FIGURE 3-3. CARRIAGE, SIDE TILT, (48IN)	96
FIGURE 3-4. CARRIAGE, SIDE TILT, UNIVERSAL QUICK ATTACH, (48IN)	98
FIGURE 3-5. CARRIAGE, SIDE SHIFT, UNIVERSAL QUICK ATTACH, (48IN).....	100
FIGURE 3-6. LIGHT MATERIAL BUCKET, (72INCH) (1.0 YD ³ /0.76 M ³).....	102
FIGURE 3-7. LIGHT MATERIAL BUCKET, (72INCH) (1.7 YD ³ /1.29 M ³).....	104
FIGURE 3-8. MULTI-PURPOSE GRAPPLE BUCKET (1850MM) (ANSI - JLG)	106
FIGURE 3-9. UNIVERSAL HITCH ATTACHMENT	108
FIGURE 3-10. BLOCKING FORK (50X50X1220)	110
FIGURE 3-11. PALLET FORK (2X4X48)	112
FIGURE 3-12. LUMBER FORK (40X150X1540)	114
FIGURE 3-13. FORK MOUNTED HOOK (4 TON)	116
FIGURE 3-14. BOLT-ON EDGE ASSEMBLY, 72"	118
FIGURE 3-15. HYDRAULIC QUICK SWITCH INSTALLATION	120
FIGURE 3-16. QUICK SWITCH ASSEMBLY.....	122
FIGURE 3-17. BLOCK VALVE ASSEMBLY	124
SECTION 4 - ENGINE AND ATTACHING PARTS	127
FIGURE 4-1. ENGINE INSTALLATION.....	128
FIGURE 4-2. ENGINE MOUNT INSTALLATION.....	130

TABLE OF CONTENTS

FIGURE 4-3. ENGINE MOUNT INSTALLATION, (HEATER)	132
FIGURE 4-4. ENGINE MOUNT INSTALLATION, (HEATER & A/C)	134
FIGURE 4-5. ENGINE (55.4KW - ULS)	136
FIGURE 4-6. ENGINE (55.4KW - LS)	138
FIGURE 4-7. FAN INSTALLATION	140
FIGURE 4-8. FAN INSTALLATION, REVERSING	142
FIGURE 4-9. RADIATOR INSTALLATION	144
FIGURE 4-10. RADIATOR LOWER HOSE ASSEMBLY	146
FIGURE 4-11. AIR CLEANER INSTALLATION	148
FIGURE 4-12. AIR FILTER	150
FIGURE 4-13. RAIN CAP	152
FIGURE 4-14. PRECLEANER	154
FIGURE 4-15. EXHAUST INSTALLATION (ULS)	156
FIGURE 4-16. EXHAUST INSTALLATION (LS)	158
FIGURE 4-17. HYDROSTATIC DRIVE PUMP ASSEMBLY	160
FIGURE 4-18. HEATER LINES INSTALLATION	162
FIGURE 4-19. LUBRICITY DOSER INSTALLATION (MIRROR)	164
FIGURE 4-20. LUBRICITY DOSER INSTALLATION (LIGHT & MIRROR)	166
FIGURE 4-21. AIR SHUT OFF VALVE INSTALLATION	168
SECTION 5 - DRIVE TRAIN	171
FIGURE 5-1. DRIVETRAIN INSTALLATION	172
FIGURE 5-2. FRONT AXLE ASSEMBLY	174
FIGURE 5-3. FRONT AXLE	176
FIGURE 5-4. FRONT AXLE, CENTRAL HOUSING	178
FIGURE 5-5. FRONT AXLE, DIFFERENTIAL	180
FIGURE 5-6. FRONT AXLE, HUB REDUCTION	182
FIGURE 5-7. FRONT AXLE, BRAKES	186
FIGURE 5-8. FRONT AXLE, STEERING	188
FIGURE 5-9. REAR AXLE ASSEMBLY	190
FIGURE 5-10. REAR AXLE	192
FIGURE 5-11. REAR AXLE, CENTRAL HOUSING	194
FIGURE 5-12. REAR AXLE, DIFFERENTIAL	196
FIGURE 5-13. REAR AXLE, HUB REDUCTION	198
FIGURE 5-14. REAR AXLE, STEERING	200
FIGURE 5-15. REAR AXLE, TRUNION	202
FIGURE 5-16. DIFFERENTIAL KIT	204
FIGURE 5-17. STEERING CASE KIT (LF/RR)	206
FIGURE 5-18. STEERING CASE KIT (RF/LR)	208
FIGURE 5-19. RING GEAR SUPPORT KIT	210
FIGURE 5-20. PLANET GEAR CARRIER KIT	212
FIGURE 5-21. TIRE/WHEEL SET, CAMSO (AIR 12-16.5 - 12 PLY)	214
FIGURE 5-22. RIGHT TIRE/WHEEL ASSEMBLY, CAMSO (AIR 12-16.5 - 12 PLY)	216
FIGURE 5-23. LEFT TIRE/WHEEL ASSEMBLY, CAMSO (AIR 12-16.5 - 12 PLY)	218
FIGURE 5-24. TIRE/WHEEL SET, FIRESTONE (AIR 12-16.5 - 12 PLY)	220
FIGURE 5-25. RIGHT TIRE/WHEEL ASSEMBLY, FIRESTONE (AIR 12-16.5 - 12 PLY)	222
FIGURE 5-26. LEFT TIRE/WHEEL ASSEMBLY, FIRESTONE (AIR 12-16.5 - 12 PLY)	224
FIGURE 5-27. TIRE/WHEEL SET (AIR 14-17.5 - 12 PLY)	226
FIGURE 5-28. RIGHT TIRE/WHEEL ASSEMBLY (AIR 12-16.5 - 12 PLY)	228
FIGURE 5-29. LEFT TIRE/WHEEL ASSEMBLY (AIR 12-16.5 - 12 PLY)	230
FIGURE 5-30. TIRE/WHEEL SET, CAMSO (FOAM 12-16.5 - 12 PLY)	232
FIGURE 5-31. TIRE/WHEEL SET, FIRESTONE (FOAM 12-16.5 - 12 PLY)	234
FIGURE 5-32. TIRE/WHEEL SET (FOAM 12-16.5 - 14 PLY)	236
FIGURE 5-33. TIRE/WHEEL SET (SOLID 33X12-20 - NM)	238
FIGURE 5-34. TIRE/WHEEL SET, AG (AIR 10.5-18 - 16 PR)	240
FIGURE 5-35. RIGHT TIRE/WHEEL ASSEMBLY, AG (AIR 10.5-18 - 16 PR)	242
FIGURE 5-36. LEFT TIRE/WHEEL ASSEMBLY, AG (AIR 10.5-18 - 16 PR)	244
FIGURE 5-37. FENDER INSTALLATION	246
FIGURE 5-38. FENDER ASSEMBLY	248
SECTION 6 - CAB	251
FIGURE 6-1. CAB INSTALLATION	252
FIGURE 6-2. OPEN CAB INSTALLATION (ANSI - FIXED STEERING)	254
FIGURE 6-3. OPEN CAB INSTALLATION (ANSI - TILT STEERING)	256
FIGURE 6-4. ENCLOSED CAB INSTALLATION (ANSI - TILT STEERING) (HEAT)	258

TABLE OF CONTENTS

FIGURE 6-5. ENCLOSED CAB INSTALLATION (ANSI - TILT STEERING) (HEAT & A/C)	260
FIGURE 6-6. ENCLOSED CAB INSTALLATION (LSI - TILT STEERING) (HEAT).....	262
FIGURE 6-7. ENCLOSED CAB INSTALLATION (LSI - TILT STEERING) (HEAT & A/C)	264
FIGURE 6-8. CAB COMMON INSTALLATION	266
FIGURE 6-9. CAB COMMON COMPONENTS, ENCLOSED	270
FIGURE 6-10. CAB GLASS INSTALLATION, OPEN	272
FIGURE 6-11. CAB GLASS INSTALLATION, ENCLOSED	274
FIGURE 6-12. REAR WINDOW ASSEMBLY	276
FIGURE 6-13. DOOR ASSEMBLY INSTALLATION	278
FIGURE 6-14. JLG COMMON INSTALLATION	280
FIGURE 6-15. SEAT RISER COVER INSTALLATION	282
FIGURE 6-16. SEAT RISER COVER INSTALLATION, HVAC	284
FIGURE 6-17. OPEN CAB COMMON COMPONENTS INSTALLATION	286
FIGURE 6-18. DASH INSTALLATION, OPEN CAB	288
FIGURE 6-19. DASH INSTALLATION, ENCLOSED CAB	290
FIGURE 6-20. RIGHT SIDE CONSOLE	292
FIGURE 6-21. NA COMMON INSTALLATION	294
FIGURE 6-22. NA COMMON COMPONENTS INSTALLATION (LSI)	296
FIGURE 6-23. FRONT WIPER ASSEMBLY	298
FIGURE 6-24. WASHER TANK W/PUMP INSTALLATION	300
FIGURE 6-25. ROOF/REAR WIPER INSTALLATION	302
FIGURE 6-26. AUX WIPER ASSEMBLY	304
FIGURE 6-27. SEAT	306
FIGURE 6-28. SEAT, LSI	308
FIGURE 6-29. SEAT BELT INSTALLATION (3 INCH)	310
FIGURE 6-30. SEAT BELT INSTALLATION, LSI (3 INCH)	312
FIGURE 6-31. CONTROL COVER INSTALLATION	314
FIGURE 6-32. HEATER INSTALLATION (CAB PARTS).....	316
FIGURE 6-33. HEATER AND A/C INSTALLATION (CAB PARTS).....	318
FIGURE 6-34. HEATER ASSEMBLY, 3 SPEED	320
FIGURE 6-35. HEATER AND A/C ASSEMBLY, 3 SPEED	322
FIGURE 6-36. HEATER	324
FIGURE 6-37. HEATER AND A/C	326
FIGURE 6-38. A/C KIT	328
FIGURE 6-39. A/C CONDENSER INSTALLATION	330
FIGURE 6-40. CONDENSER	332
FIGURE 6-41. OVERHEAD CONSOLE INSTALLATION	334
FIGURE 6-42. OVERHEAD CONSOLE INSTALLATION (OPEN)	336
FIGURE 6-43. FRONT FOPS INSTALLATION	338
FIGURE 6-44. OVERHEAD CONSOLE INSTALLATION (LSI)	340
FIGURE 6-45. RADIO READY PACKAGE INSTALLATION	342
FIGURE 6-46. FLOOR MAT INSTALLATION	344
FIGURE 6-47. CAB FENDER INSTALLATION	346
FIGURE 6-48. CAB GUARD INSTALLATION (TOP)	348
FIGURE 6-49. CAB GUARD INSTALLATION (FRONT)	350
FIGURE 6-50. REAR WINDOW ENTRY KIT INSTALLATION (ANSI)	352
FIGURE 6-51. REAR WINDOW ENTRY KIT INSTALLATION (ENGLISH/FRENCH)	354
FIGURE 6-52. REAR WINDOW ENTRY KIT INSTALLATION (ISO)	356
FIGURE 6-53. FIRE EXTINGUISHER INSTALLATION	358
FIGURE 6-54. WASHER FLUID TANK ASSEMBLY	360
FIGURE 6-55. EMERGENCY ENTRY/EXIT WINDOW	362
SECTION 7 - CONTROLS	365
FIGURE 7-1. ACCELERATOR PEDAL ASSEMBLY	366
FIGURE 7-2. ACCELERATOR PEDAL	368
FIGURE 7-3. BRAKE PEDAL INSTALLATION	370
FIGURE 7-4. MASTER CYLINDER VALVE ASSEMBLY	372
FIGURE 7-5. PARK BRAKE VALVE INSTALLATION	374
FIGURE 7-6. PARK BRAKE VALVE INSTALLATION (EURO)	376
FIGURE 7-7. PARK BRAKE VALVE ASSEMBLY	378
FIGURE 7-8. PARK BRAKE VALVE ASSEMBLY (EURO)	380
FIGURE 7-9. FIXED STEERING COLUMN INSTALLATION	382
FIGURE 7-10. FIXED STEERING COLUMN	384
FIGURE 7-11. TILT STEERING COLUMN INSTALLATION	386
FIGURE 7-12. TILT STEERING COLUMN	388
FIGURE 7-13. HYDRAULIC CONTROLLER ASSEMBLY	390

TABLE OF CONTENTS

FIGURE 7-14. HEATER CONTROL SWITCH	392
FIGURE 7-15. HVAC CONTROL SWITCH	394
FIGURE 7-16. BOOM JOYSTICK	396
SECTION 8 - HYDRAULIC CIRCUITS	399
FIGURE 8-1. VALVE INSTALLATION (ANSI)	400
FIGURE 8-2. VALVE INSTALLATION (CE)	402
FIGURE 8-3. PILOT SELECT VALVE ASSEMBLY (ANSI)	404
FIGURE 8-4. PILOT SELECT VALVE ASSEMBLY (CE)	406
FIGURE 8-5. PILOT SELECT VALVE (ANSI)	408
FIGURE 8-6. PILOT SELECT VALVE (CE)	410
FIGURE 8-7. HYDRAULIC VALVE INSTALLATION	412
FIGURE 8-8. STEERING SELECT VALVE ASSEMBLY	414
FIGURE 8-9. MAIN CONTROL VALVE ASSEMBLY	416
FIGURE 8-10. PRIORITY VALVE ASSEMBLY	418
FIGURE 8-11. BRAKE VALVE ASSEMBLY	420
FIGURE 8-12. BOOM HYDRAULIC INSTALLATION	422
FIGURE 8-13. BOOM HYDRAULIC INSTALLATION, W/QS	424
FIGURE 8-14. REMOTE GREASE INSTALLATION	426
FIGURE 8-15. FRAME HYDRAULIC HOSE INSTALLATION	428
FIGURE 8-16. HYDRAULIC HOSE INSTALLATION (ANSI)	430
FIGURE 8-17. HYDRAULIC HOSE INSTALLATION (CE)	432
FIGURE 8-18. STEERING VALVE ASSEMBLY	434
FIGURE 8-19. CAB HYDRAULICS INSTALLATION, (ANSI)	436
FIGURE 8-20. CAB HYDRAULICS INSTALLATION (LSI)	438
FIGURE 8-21. IMPLEMENT PUMP FILTER ASSEMBLY	440
FIGURE 8-22. HYDRAULIC FILTER ASSEMBLY	442
FIGURE 8-23. HYDRAULIC TANK BREATHER INSTALLATION	444
FIGURE 8-24. HYDRAULIC TANK BREATHER INSTALLTION (A/C)	446
FIGURE 8-25. REAR HYDRAULIC OUTLET INSTALLATION	448
FIGURE 8-26. REAR DIVERTER VALVE ASSEMBLY	450
FIGURE 8-27. DIVERTOR VALVE	452
FIGURE 8-28. BOOM AUX HOSE INSTALLATION	454
SECTION 9 - HYDRAULIC COMPONENTS	457
FIGURE 9-1. BOOM CYLINDER INSTALLATION, ANSI	458
FIGURE 9-2. BOOM CYLINDER INSTALLATION, CE	460
FIGURE 9-3. LIFT CYLINDER, ANSI	462
FIGURE 9-4. LIFT CYLINDER ASSEMBLY, CE	464
FIGURE 9-5. LIFT CYLINDER, CE	466
FIGURE 9-6. COMPENSATION CYLINDER	468
FIGURE 9-7. EXTEND/RETRACT CYLINDER	470
FIGURE 9-8. TILT CYLINDER	472
FIGURE 9-9. HYDROSTATIC MOTOR	474
FIGURE 9-10. HYDROSTATIC PUMP	476
FIGURE 9-11. GEAR PUMP	478
FIGURE 9-12. FAN MOTOR	480
FIGURE 9-13. FAN MOTOR, REVERSING	482
FIGURE 9-14. PARK BRAKE RELEASE VALVE	484
FIGURE 9-15. HYDRAULIC PARK BRAKE RELEASE VALVE	486
FIGURE 9-16. STEERING SELECT VALVE	488
FIGURE 9-17. MAIN CONTROL VALVE (W/AUX)	490
FIGURE 9-18. BRAKE MASTER CYLINDER VALVE	492
FIGURE 9-19. DIVERTOR VALVE	494
FIGURE 9-20. SIDE TILT CARRIAGE CYLINDER	496
FIGURE 9-21. UNIVERSAL SIDE SHIFT CYLINDER	498
FIGURE 9-22. FORK LOCKING CYLINDER	500
FIGURE 9-23. AIR SHUT OFF VALVE	502
SECTION 10 - ELECTRICAL	505
FIGURE 10-1. MAIN ELECTRICAL INSTALLATION	506
FIGURE 10-2. FRAME OPTIONS HARNESS INSTALLATION	508
FIGURE 10-3. FRAME OPTIONS HARNESS INSTALLATION (ANSI)	510
FIGURE 10-4. FRAME OPTIONS HARNESS INSTALLATION (CE)	512

TABLE OF CONTENTS

FIGURE 10-5. BLOCK HEATER INSTALLATION (ANSI).....	514
FIGURE 10-6. BLOCK HEATER INSTALLATION (CE)	516
FIGURE 10-7. BLOCK HEATER INSTALLATION (115V) (LS)	518
FIGURE 10-8. SPEED SENSOR JUMPER HARNESS	520
FIGURE 10-9. BATTERY INSTALLATION.....	522
FIGURE 10-10. BATTERY DISCONNECT SWITCH INSTALLATION	524
FIGURE 10-11. START SWITCH JUMPER HARNESS	526
FIGURE 10-12. JUMPER HARNESS	528
FIGURE 10-13. ROAD LIGHT INSTALLATION (ANSI).....	530
FIGURE 10-14. ROAD LIGHT INSTALLATION (LSI)	532
FIGURE 10-15. ROAD LIGHT INSTALLATION (LH DIP)	534
FIGURE 10-16. WORK LIGHT INSTALLATION	536
FIGURE 10-17. WORK LIGHT INSTALLATION (OPEN CAB)	538
FIGURE 10-18. BOOM WORK LIGHT	540
FIGURE 10-19. BEACON INSTALLATION	542
FIGURE 10-20. BEACON INSTALLATION (OPEN CAB)	544
FIGURE 10-21. REVERSE SENSING SYSTEM INSTALLATION	546
FIGURE 10-22. CLEARSKY INSTALLATION.....	548
FIGURE 10-23. TELEMATICS, CUSTOMER-SUPPLIED.....	550
FIGURE 10-24. BOOM SENSOR INSTALLATION	552
FIGURE 10-25. BOOM SENSOR ASSEMBLY INSTALLATION	554
FIGURE 10-26. ENGINE HARNESS	556
FIGURE 10-27. BOOM AUX HARNESS	560
FIGURE 10-28. CAB HARNESS.....	562
FIGURE 10-29. CAB ROOF HARNESS.....	568
FIGURE 10-30. FRAME HARNESS	570
FIGURE 10-31. FRAME BASE JUMPER HARNESS.....	574
FIGURE 10-32. FUNCTION JUMPER HARNESS	576
FIGURE 10-33. FRAME OPTION HARNESS.....	578
FIGURE 10-34. TELEMATICS GATEWAY HARNESS	582
FIGURE 10-35. REVERSE SENSOR HARNESS	584
FIGURE 10-36. TELEMATICS READY HARNESS	586
FIGURE 10-37. CLEARSKY HARNESS	588
FIGURE 10-38. CLEARSKY INSTALLATION 3-WIRE (ANSI)	590
FIGURE 10-39. BOOM SENSOR HARNESS	592
FIGURE 10-40. OPEN CAB WORKLIGHT HARNESS	594
FIGURE 10-41. CAB WORKLIGHT HARNESS.....	596
FIGURE 10-42. BOOM WORKLIGHT JUMPER HARNESS (LONG)	598
FIGURE 10-43. PROXIMITY SENSOR HARNESS.....	600
FIGURE 10-44. BOOM WORKLIGHT JUMPER HARNESS (SHORT)	602
FIGURE 10-45. BOOM WORKLIGHTS HARNESS.....	604
FIGURE 10-46. CONDENSOR FAN HARNESS	606
FIGURE 10-47. MODE SELECT HARNESS	608
FIGURE 10-48. TRAILER PLUG INSTALLATION (7 PIN)	610
FIGURE 10-49. ELECTRICAL HARNESS CAPS INSTALLATION	612
FIGURE 10-50. TELEMATICS HARNESS.....	614
FIGURE 10-51. RH TAIL LIGHT INSTALLATION	616
FIGURE 10-52. LH TAIL LIGHT INSTALLATION	618
FIGURE 10-53. LH DRIVE LIGHT INSTALLATION	620
FIGURE 10-54. JUMPER HARNESS	622
FIGURE 10-55. GATEWAY CONTROLLER	624
FIGURE 10-56. CONTROL ACCESSORY	626
FIGURE 10-57. HARNESS, POSI AIR SHUT OFF, SC CAB	628
FIGURE 10-58. HARNESS, POSI AIR SHUTOFF, SC FRAME	630
FIGURE 10-59. VALVE JUMPER HARNESS.....	634
SECTION 11 - DECALS.....	637
FIGURE 11-1. DECAL INSTALLATION	638
FIGURE 11-2. DECAL INSTALLATION, (ANSI)	640
FIGURE 11-3. DECAL INSTALLATION, (ISO)	644
FIGURE 11-4. DECAL INSTALLATION (ENGLISH/FRENCH)	648
FIGURE 11-5. LOAD CHART MOUNT	652
FIGURE 11-6. CAPACITY CHART.....	654
FIGURE 11-7. CAPACITY CHART (UNIVERSAL QUICK SWITCH)	656
FIGURE 11-8. CAPACITY CHART - METRIC	658
FIGURE 11-9. CAPACITY CHART (UNIVERSAL QUICK SWITCH - METRIC).....	660

TABLE OF CONTENTS

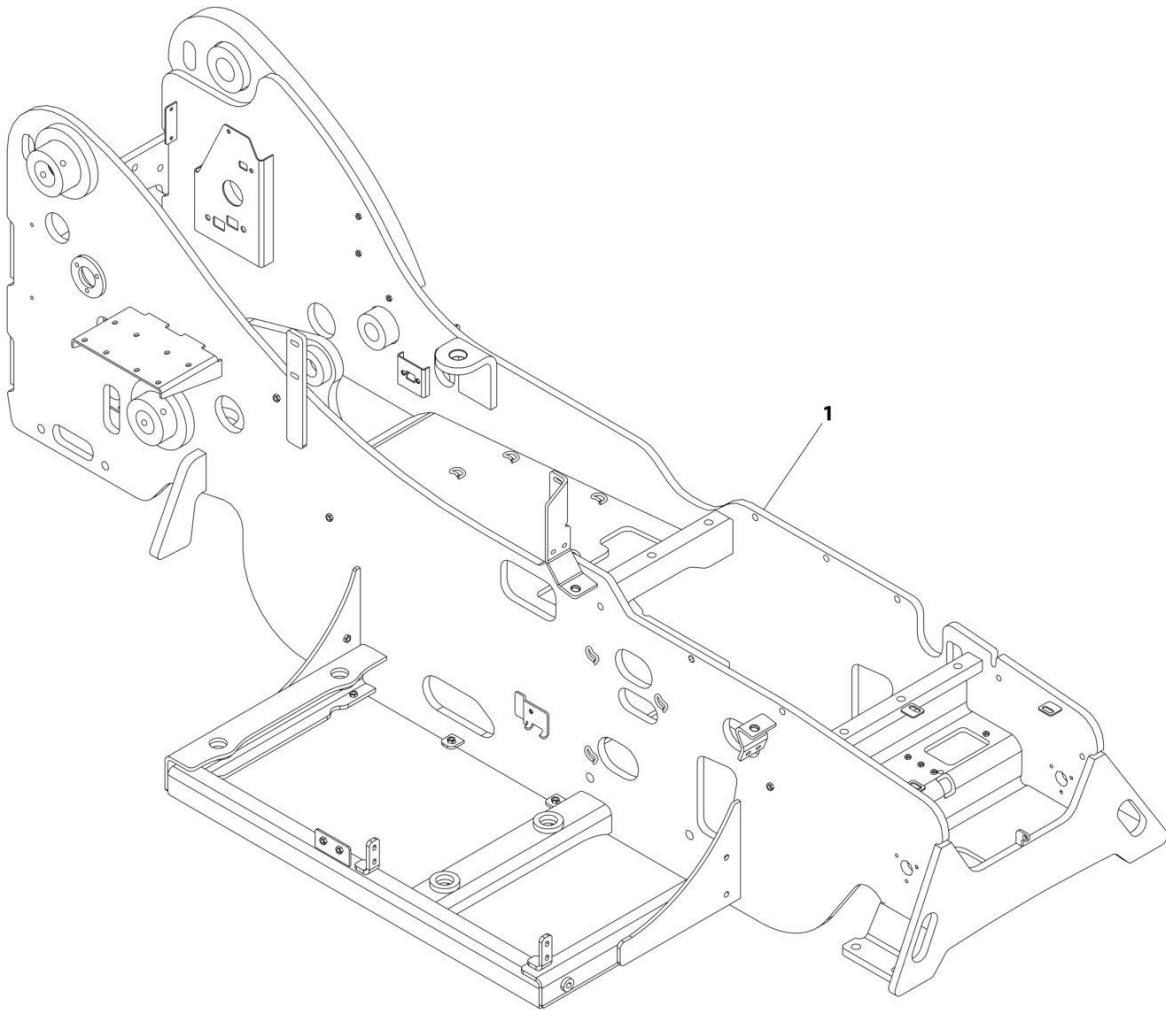
FIGURE 11-10. MACHINE DECAL (ULS - ANSI)	662
FIGURE 11-11. MACHINE DECAL (ULS - ISO)	664
FIGURE 11-12. MACHINE DECAL (ULS - ENGLISH/FRENCH)	666
FIGURE 11-13. MACHINE DECAL (LS)	668
FIGURE 11-14. REVERSE SENSOR SYSTEM DECAL (ENGLISH)	670
FIGURE 11-15. REVERSE SENSING SYSTEM DECAL, (ENGLISH/FRENCH)	672
FIGURE 11-16. REVERSE SENSING SYSTEM DECAL (ISO)	674
FIGURE 11-17. CLEARSKY DECAL INSTALLATION.....	676
SECTION 12 - RECOMMENDED SPARE PARTS	679
FIGURE 12-1. RECOMENDED SPARE PARTS	680
PART NUMBER INDEX.....	683

SECTION 1 - FRAME AND ATTACHING PARTS

SECTION 1 - FRAME AND ATTACHING PARTS

SECTION 1 - FRAME AND ATTACHING PARTS

FIGURE 1-1. FRAME WELDMENT



ART_1001232716J-A

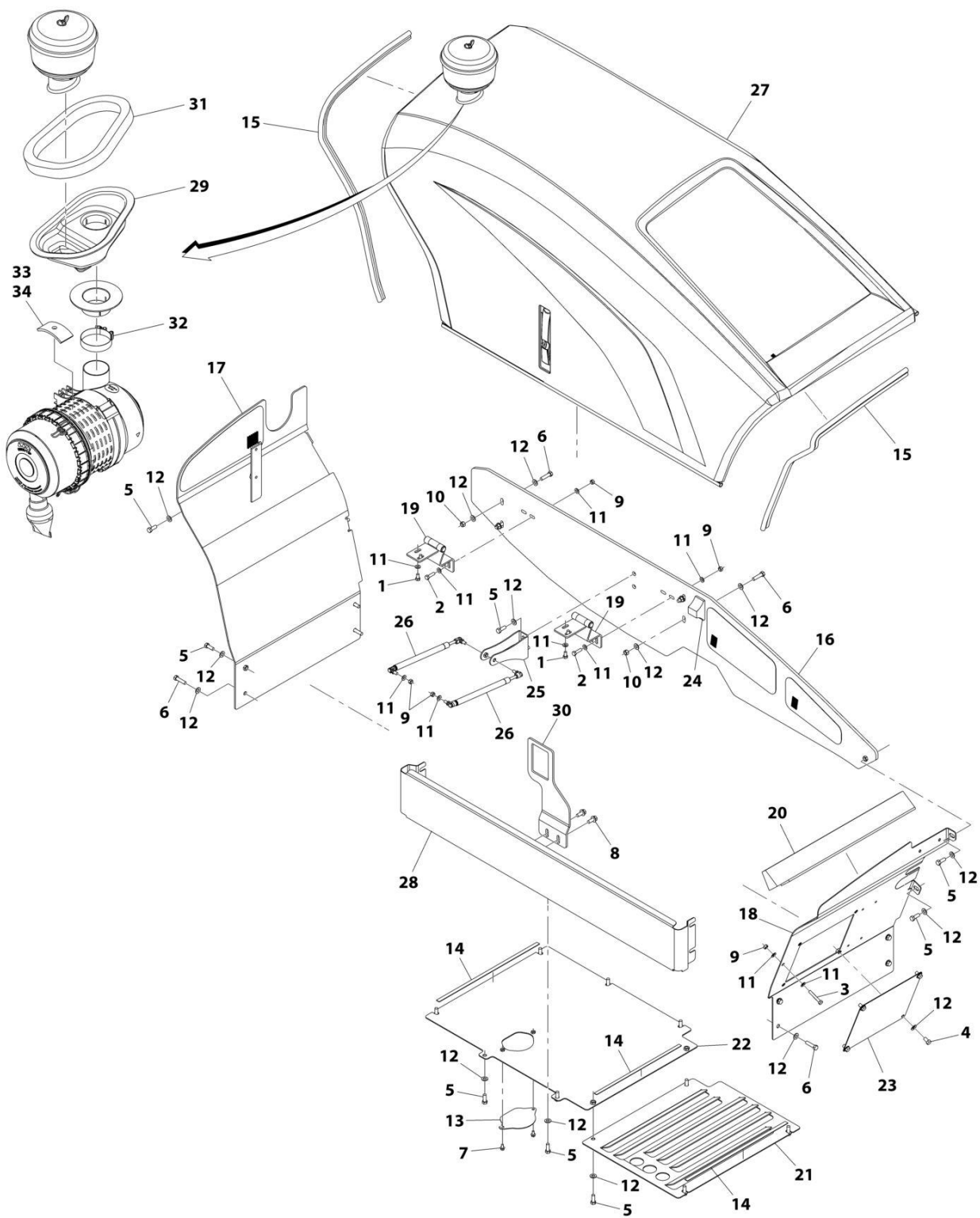
SECTION 1 - FRAME AND ATTACHING PARTS

FIGURE 1-1. FRAME WELDMENT

ITEM	PART NUMBER	QTY	DESCRIPTION	REV
1	1001232716J	1	Frame Weldment	A

SECTION 1 - FRAME AND ATTACHING PARTS

FIGURE 1-2. HOODS INSTALLATION



ART_1001190762-C

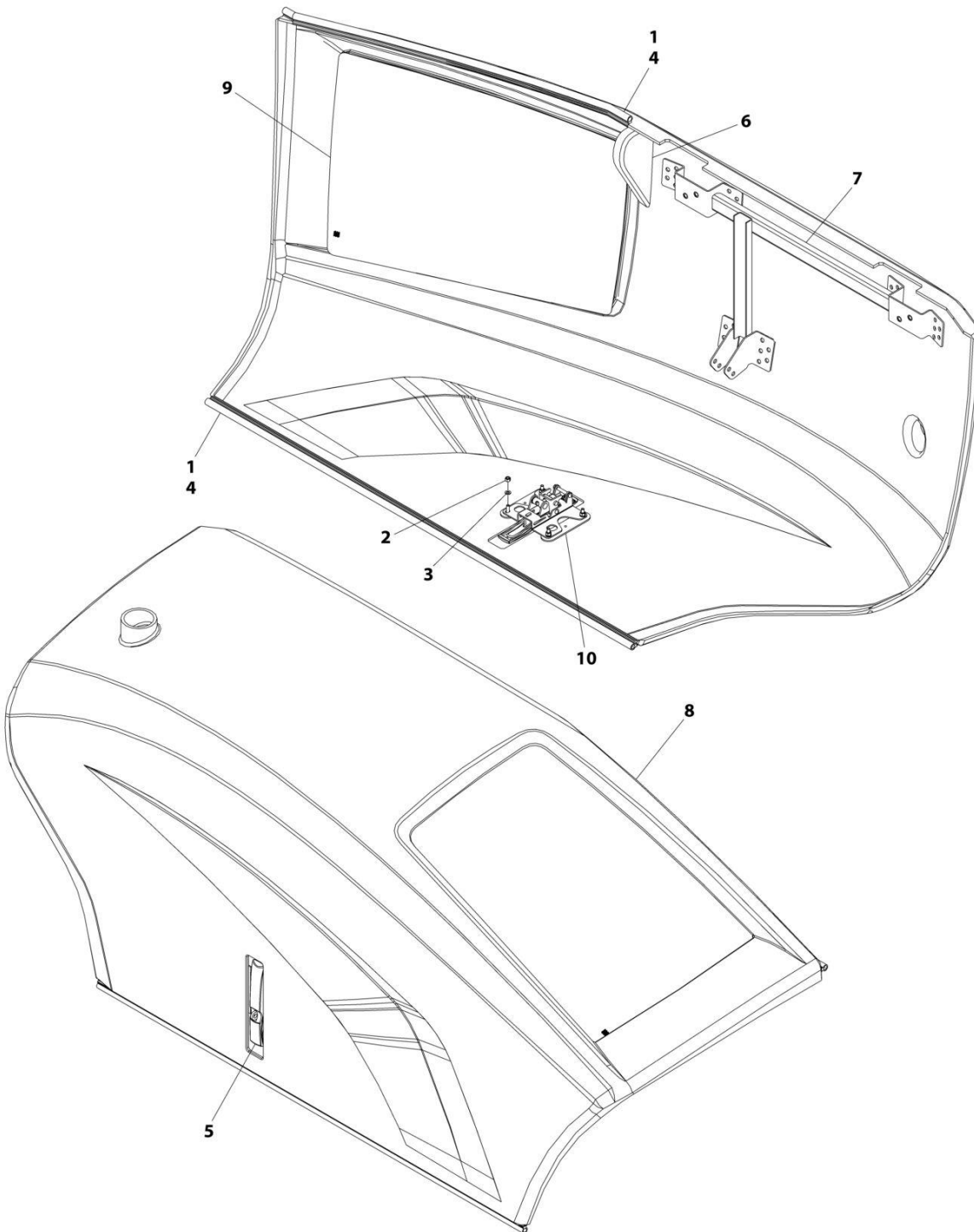
SECTION 1 - FRAME AND ATTACHING PARTS

FIGURE 1-2. HOODS INSTALLATION

ITEM	PART NUMBER	QTY	DESCRIPTION	REV
	1001190762	Ref	Hoods Installation	C
1	0641505	4	Hex HD Capscrew, 5/16-18X5/8, GR5	
2	0641509	4	Hex HD Capscrew, 5/16-18X1-1/8, GR5	
3	0641516	1	Hex HD Capscrew, 5/16-18X2, GR5	
4	0641605	4	Hex HD Capscrew, 3/8-16X5/8	
5	0641608	21	Hex HD Capscrew, 3/8-16X1, GR5	
6	0641612	8	Hex HD Capscrew, 3/8-16X1-1/2, GR5	
7	0791404	2	Screw, 1/4-20X1/2	
8	0791607	2	Screw, 3/8-16X7/8	
9	3271501	7	Hex Nut, 5/16-18	
10	3271601	4	Hex Nut, 3/8-16, GR8	
11	4711500	16	Washer, 5/16	
12	4711600	37	Flat Washer, 3/8	
13	1001081299K	1	Fuel Filter Access Panel	
14	1001090344	1320 mm	Neoprene Tape, 1/16X1/2	
15	1001097160	1980 mm	Self-Gripping Bulb Seal	
16	1001142265	1	Hood Hinge Mount Weldment Plate	
17	1001197401	1	Rear Fender Weldment Panel	
18	1001142267	1	Front Fender Weldment Panel	
19	1001143142	2	Hood Hinge	
20	1001144369	1	Foam Gasket Seal	
21	1001149810	1	Belly Pan Plate	
22	1001149811	1	Belly Pan Weldment Plate	
23	1001156315	1	Cover Plate	
24	1001158318	1	Foam Gasket Seal	
25	1001158428	1	Gas Spring Weldment Mount	
26	1001160078	2	Gas Spring	
27	1001190743	1	Hood Assembly	
28	1001190788	1	Side Skirt Panel	
29	1001191640	1	Air Intake Channel	
30	1001191820	1	Latch Catch Bracket	
31	1001192255	1	Air Intake Seal	
32	90028488	1	T-Bolt Clamp	
33	0100081	AR	Loctite 454	
34	3340943	1	Pad, Rubber	

SECTION 1 - FRAME AND ATTACHING PARTS

FIGURE 1-3. HOOD ASSEMBLY



ART_1001190743-E

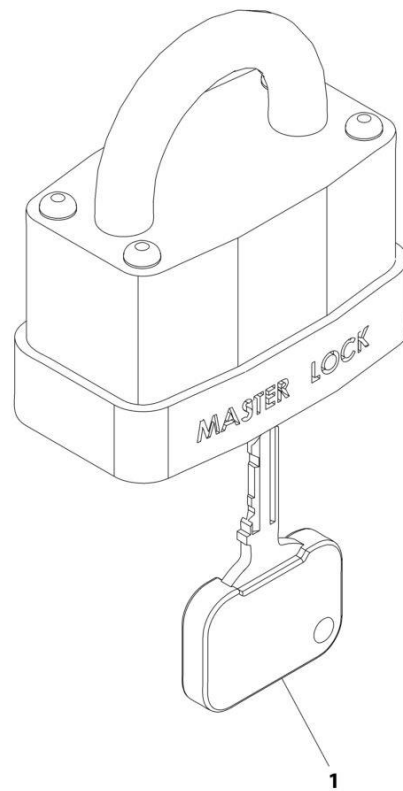
SECTION 1 - FRAME AND ATTACHING PARTS

FIGURE 1-3. HOOD ASSEMBLY

ITEM	PART NUMBER	QTY	DESCRIPTION	REV
	1001190743	Ref	Hood Assembly	E
1	0100090	AR	Loctite 454	
2	3290605	4	Hex Locknut, M6X1	
3	4811700	4	Washer, M6	
4	1001097159	2110 mm	Self-Gripping Bulb Seal	
5	1001132168	1	Compression Latch	
6	1001193423	1	Air Dam Seal	
7	1001190728	1	Hinge And Gas Spring Mount	
8	1001190754	1	Hood	
9	1001191643	1	Cooler Vent	
10	1001192022	2	Support, Latch	

SECTION 1 - FRAME AND ATTACHING PARTS

FIGURE 1-4. PAD LOCK



ART_1001102157-A

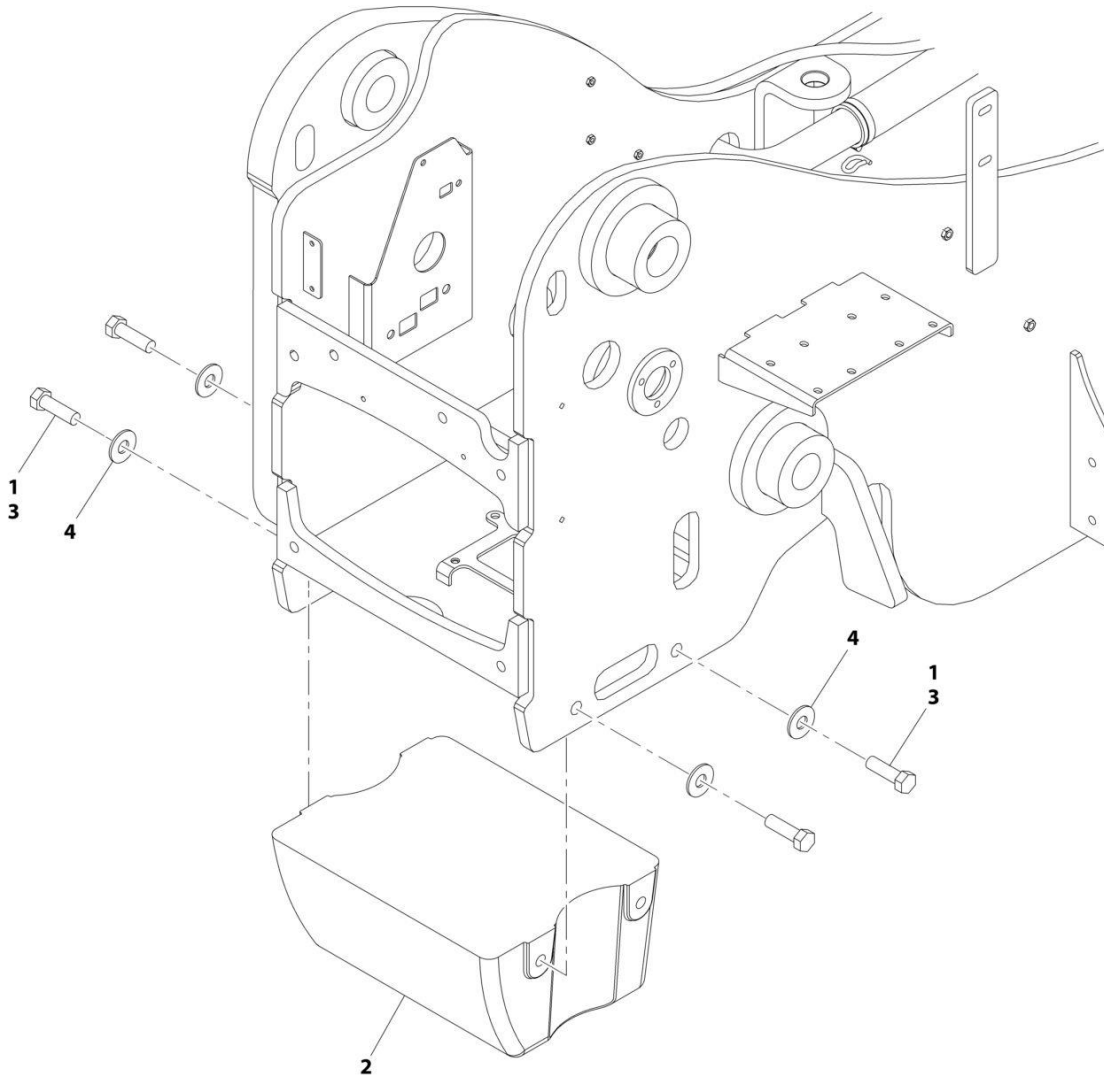
SECTION 1 - FRAME AND ATTACHING PARTS

FIGURE 1-4. PAD LOCK

ITEM	PART NUMBER	QTY	DESCRIPTION	REV
1	1001102157 8342813	Ref 1	Pad Lock Key	A

SECTION 1 - FRAME AND ATTACHING PARTS

FIGURE 1-5. COUNTERWEIGHT INSTALLATION



ART_1001201083-C

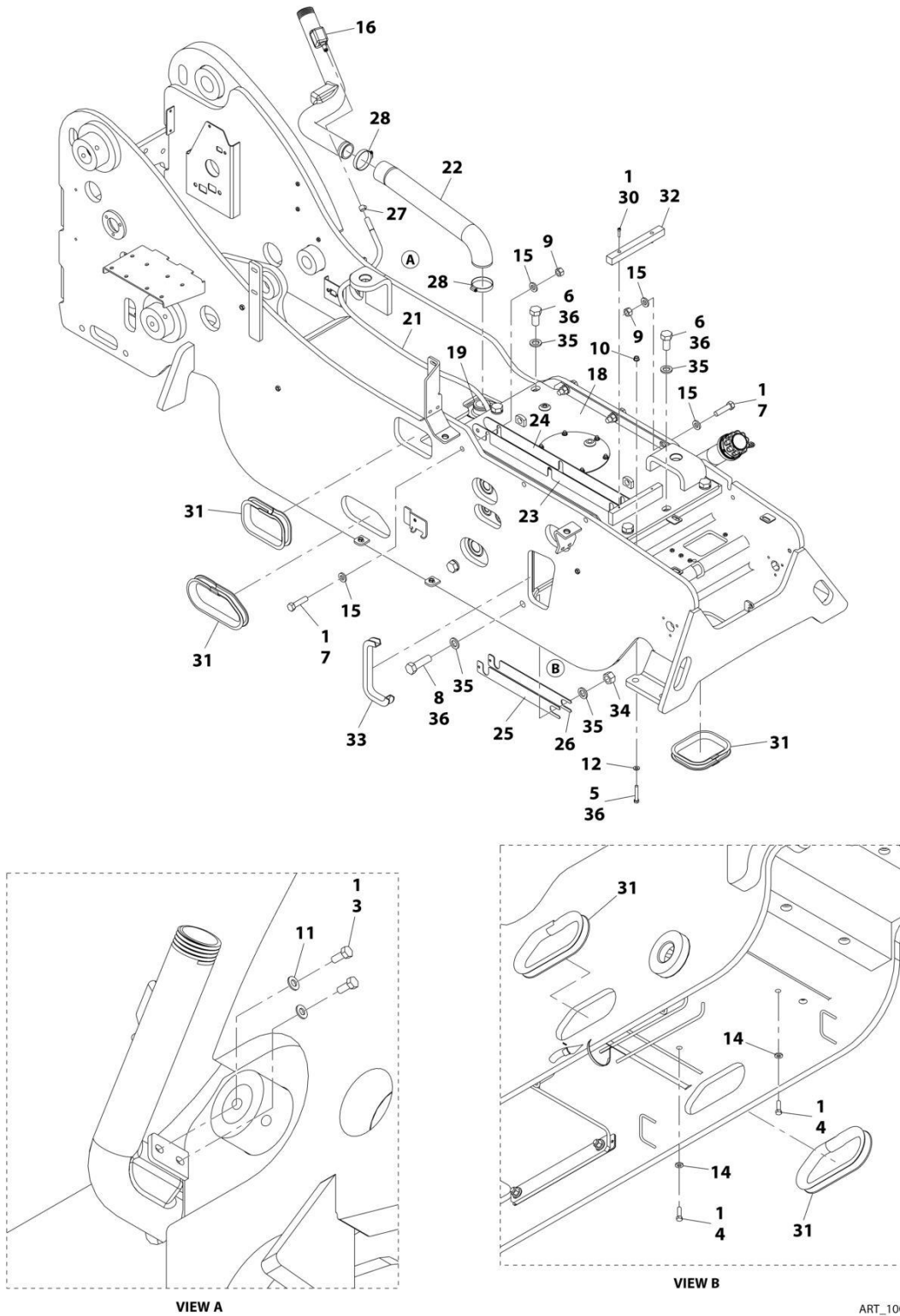
SECTION 1 - FRAME AND ATTACHING PARTS

FIGURE 1-5. COUNTERWEIGHT INSTALLATION

ITEM	PART NUMBER	QTY	DESCRIPTION	REV
	1001201083	Ref	Counterweight Installation	C
1	0100019	AR	Loctite 271	
2	1001080861	1	Counterweight, 460 LB/209 KG	
3	0682220	4	Hex HD Capscrew, 3/4-10X2-1/2, GR8	
4	4752200	4	Washer, 3/4	

SECTION 1 - FRAME AND ATTACHING PARTS

FIGURE 1-6. TANK INSTALLATION



ART_1001193316-H

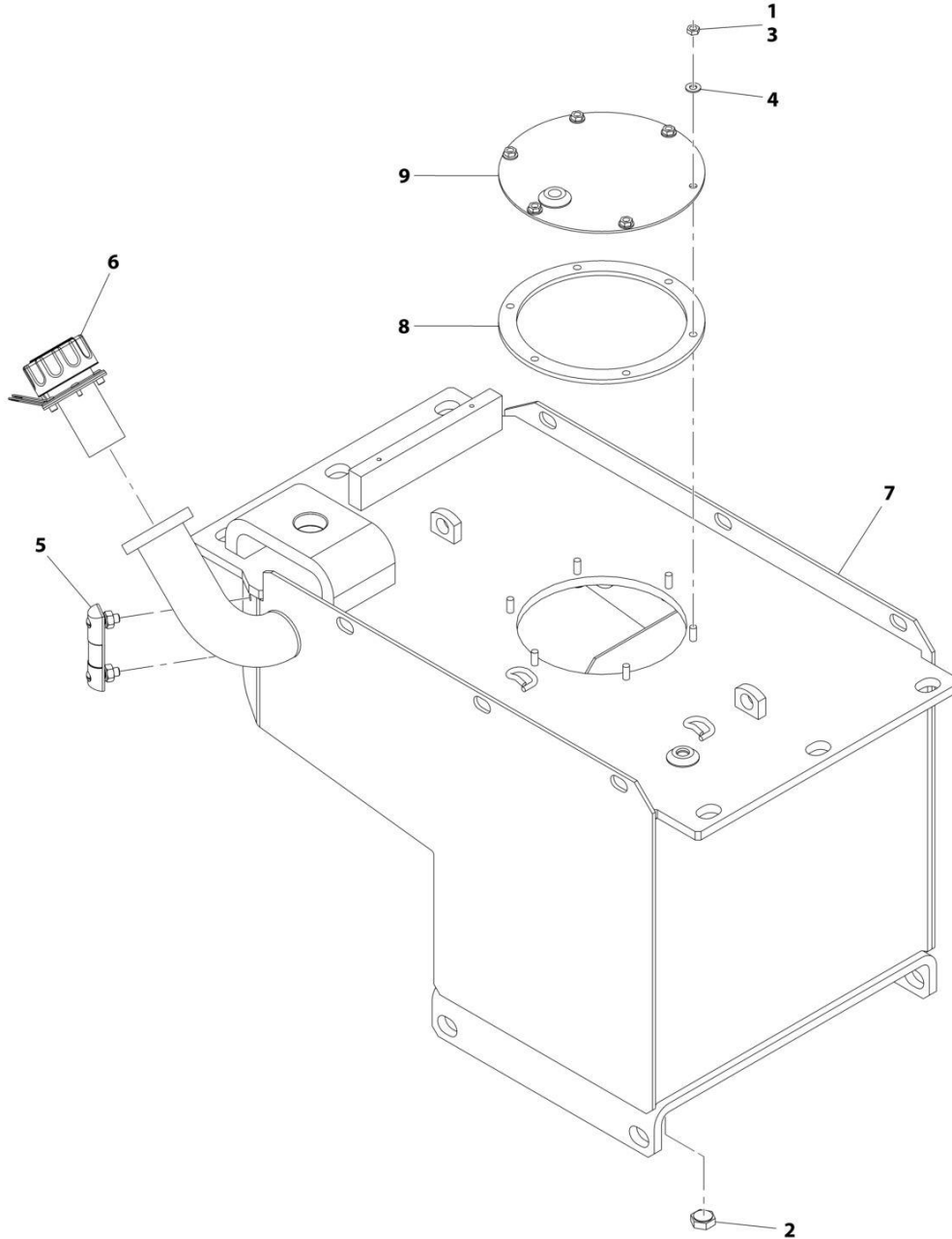
SECTION 1 - FRAME AND ATTACHING PARTS

FIGURE 1-6. TANK INSTALLATION

ITEM	PART NUMBER	QTY	DESCRIPTION	REV
	1001193316	Ref	Tank Installation	H
1	0100011	AR	Loctite 242	
3	0641506	2	Hex HD Capscrew, 5/16-18X3/4, GR5	
4	0641610	3	Hex HD Capscrew, 3/8-16X1-1/4	
5	0630399	1	Tap Bolt	
6	0682414	6	Hex HD Capscrew, 7/8-9X1-3/4	
7	0692020	6	Hex HD Capscrew, 8/8-18X2-1/2	
8	0682424	4	Hex HD Capscrew, 7/8-9X3	
9	3282001	6	Hex Nut, 5/8-18	
10	3311608	1	Hex Nut, 3/8-16	
11	4711500	2	Washer, 5/16	
12	4711600	1	Washer, 3/8	
14	4891600	3	Washer, 3/8	
15	4892000	12	Washer, 5/8	
16	1001080573	1	Fuel Nozzle Tube	
18	1001193351	1	Oil Tank (See Separate Breakdown in this Section)	
19	1001194100	1	Fuel Tank (See Separate Breakdown in this Section)	
21	1001148483	1	Fuel Tank Vent	
22	1001198730	1	Fuel Fill Pipe	
23	1001200682	AR	Shim, 1.5mm	
24	1001200683	AR	Shim, 3mm	
25	1001200684	AR	Shim, 1.5mm	
26	1001200685	AR	Shim, 3mm	
27	8405006	2	Gear Clamp	
28	86883327	2	Clamp, Hose	
30	3931416	2	Socket HD Capscrew, 1/4-20X1	
31	1001142680	2100 mm	Conduit	
32	1001200925	1	Pad	
33	1001081364	2	Grommet	
34	3272401	4	Hex Nut, 7/8-9, GR8	
35	4892400	14	Washer, 7/8	
36	0100019	AR	Loctite 271	

SECTION 1 - FRAME AND ATTACHING PARTS

FIGURE 1-7. OIL TANK



ART_1001193351-E

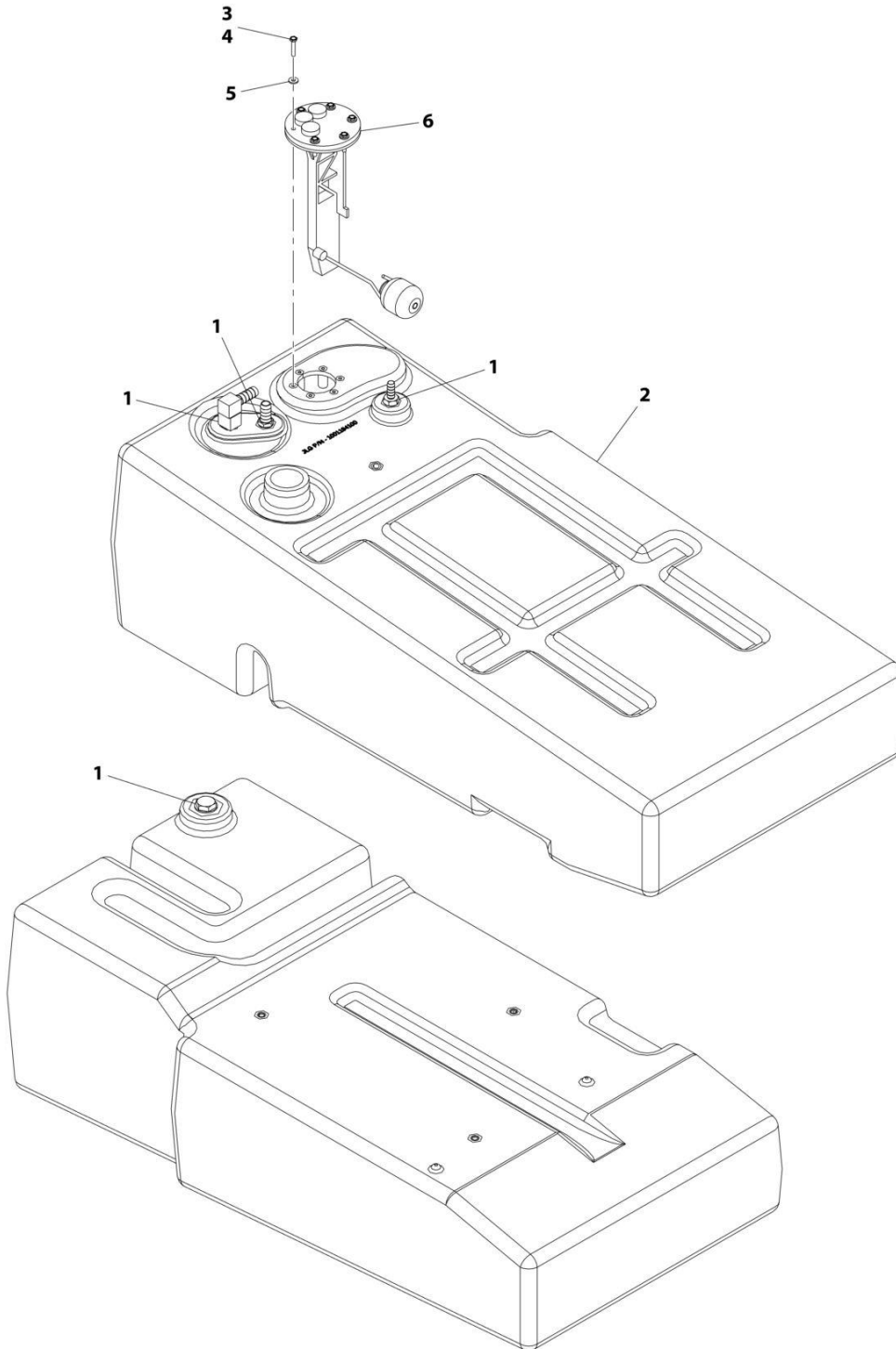
SECTION 1 - FRAME AND ATTACHING PARTS

FIGURE 1-7. OIL TANK

ITEM	PART NUMBER	QTY	DESCRIPTION	REV
	1001193351	Ref	Oil Tank	E
1	0100011	AR	Loctite 242	
2	2220239	1	Adapter, Plug	
3	3311502	6	Hex Nut, 5/16-18	
4	4711500	6	Washer, 5/16	
5	91563136	1	Oil Level Indicator	
6	1001187150	1	Lockable Hydraulic Filler Cap	
7	1001193470	1	Oil Tank Weldment	
8	1001193473	1	Gasket	
9	1001195884	1	Tank Access Cover	

SECTION 1 - FRAME AND ATTACHING PARTS

FIGURE 1-8. FUEL TANK ASSEMBLY



ART_1001194100-E

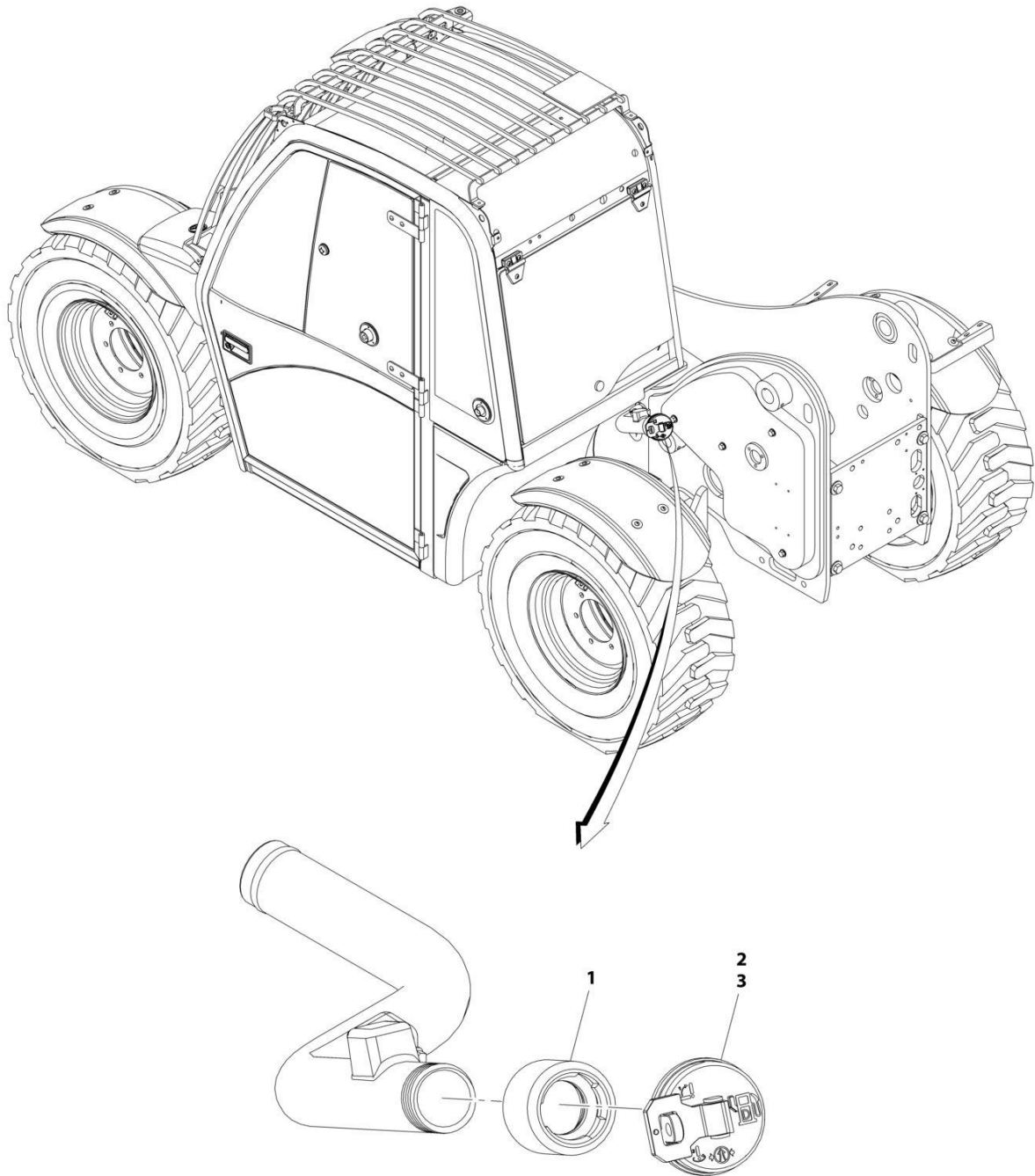
SECTION 1 - FRAME AND ATTACHING PARTS

FIGURE 1-8. FUEL TANK ASSEMBLY

ITEM	PART NUMBER	QTY	DESCRIPTION	REV
	1001194100	Ref	Fuel Tank Assembly	E
1	0100020	AR	Loctite 567	
2	1001194099	1	Fuel Tank	
3	0100035	AR	Loctite 222	
4	0720606	6	Hex HD Bolt	
5	4750600	6	Washer, M6	
6	1001197965	1	Fuel Level Sensor	

SECTION 1 - FRAME AND ATTACHING PARTS

FIGURE 1-9. FUEL CAP INSTALLATION



ART_1001080571-B

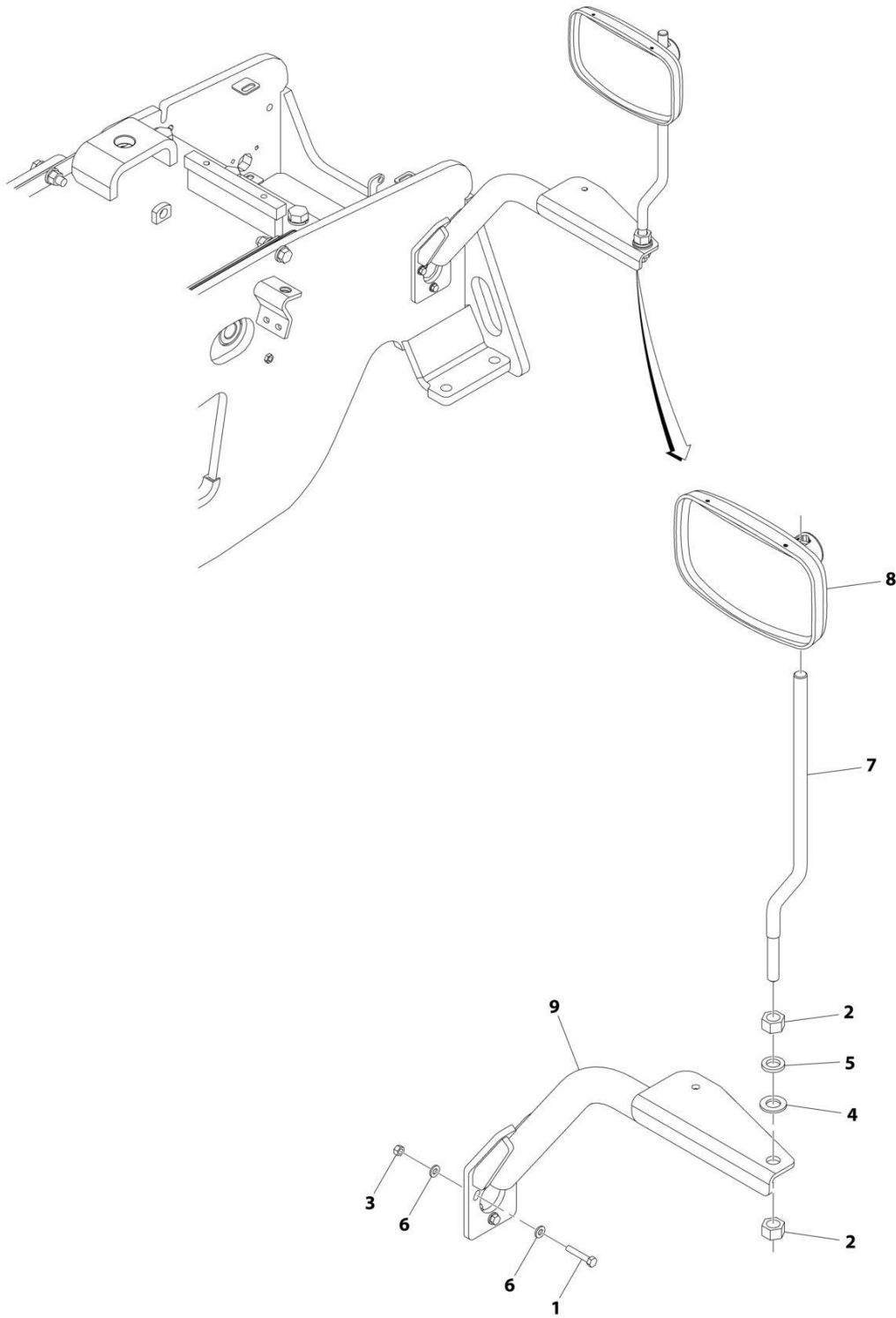
SECTION 1 - FRAME AND ATTACHING PARTS

FIGURE 1-9. FUEL CAP INSTALLATION

ITEM	PART NUMBER	QTY	DESCRIPTION	REV
	1001080571	Ref	Fuel Cap Installation	B
1	1001001422	1	Filler Neck Tank Adapter	
2	1001080707	1	Diesel Fuel Locking Cap	
3	0100093	AR	Loctite 30512	

SECTION 1 - FRAME AND ATTACHING PARTS

FIGURE 1-10. MIRROR INSTALLATION



ART_1001200928-B

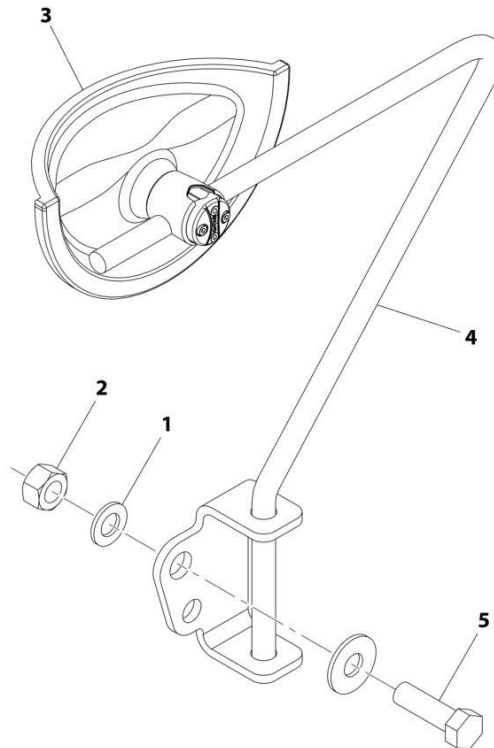
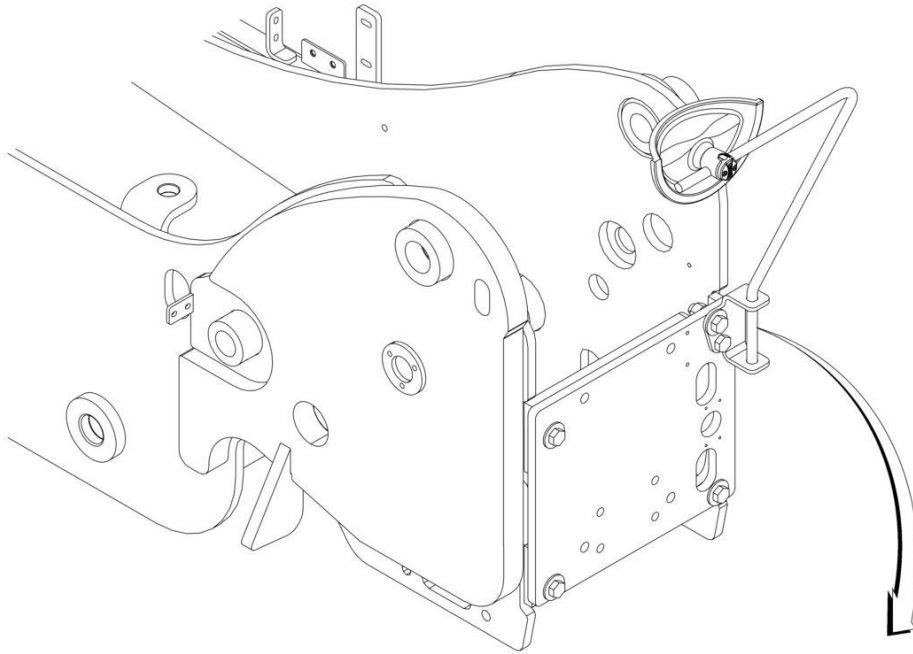
SECTION 1 - FRAME AND ATTACHING PARTS

FIGURE 1-10. MIRROR INSTALLATION

ITEM	PART NUMBER	QTY	DESCRIPTION	REV
	1001200928	Ref	Mirror Installaton	B
1	0641514	3	Hex HD Capscrew, 5/16-18X1-3/4, GR5	
2	3272201	2	Hex Nut, 3/4-10, GR8	
3	3311505	3	Locknut, 5/16-18	
4	4712200	1	Washer, 3/4	
5	4762200	1	Lockwasher, 3/4	
6	4891500	6	Washer, 5/16	
7	1001144474	1	Mirror Bracket	
8	1001191635	1	Mirror Assembly	
9	1001190639	1	Headlight Bracket	

SECTION 1 - FRAME AND ATTACHING PARTS

FIGURE 1-11. REAR CONVEX MIRROR INSTALLATION



ART_1001200851-C

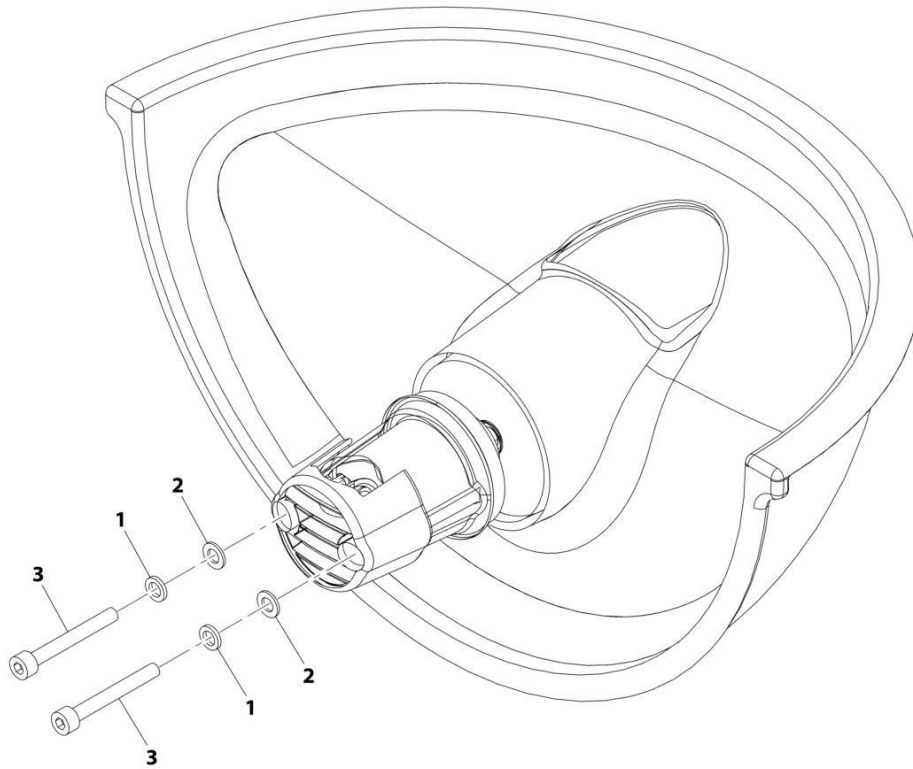
SECTION 1 - FRAME AND ATTACHING PARTS

FIGURE 1-11. REAR CONVEX MIRROR INSTALLATION

ITEM	PART NUMBER	QTY	DESCRIPTION	REV
	1001200851	Ref	Rear Convex Mirror Installation	C
1	4712200	1	Washer, 3/4	
2	88501012	1	Hex Nut, 3/4-10	
3	1001008436	1	Mirror Assembly (See Separate Breakdown in this Section)	
4	1001208759	1	Rear Mount Mirror Bar	
5	0682220	1	Hex HD Capscrew, 3/4-10X2-1/2, GR8	

SECTION 1 - FRAME AND ATTACHING PARTS

FIGURE 1-12. MIRROR ASSEMBLY (CONVEX)



ART_1001008436-D

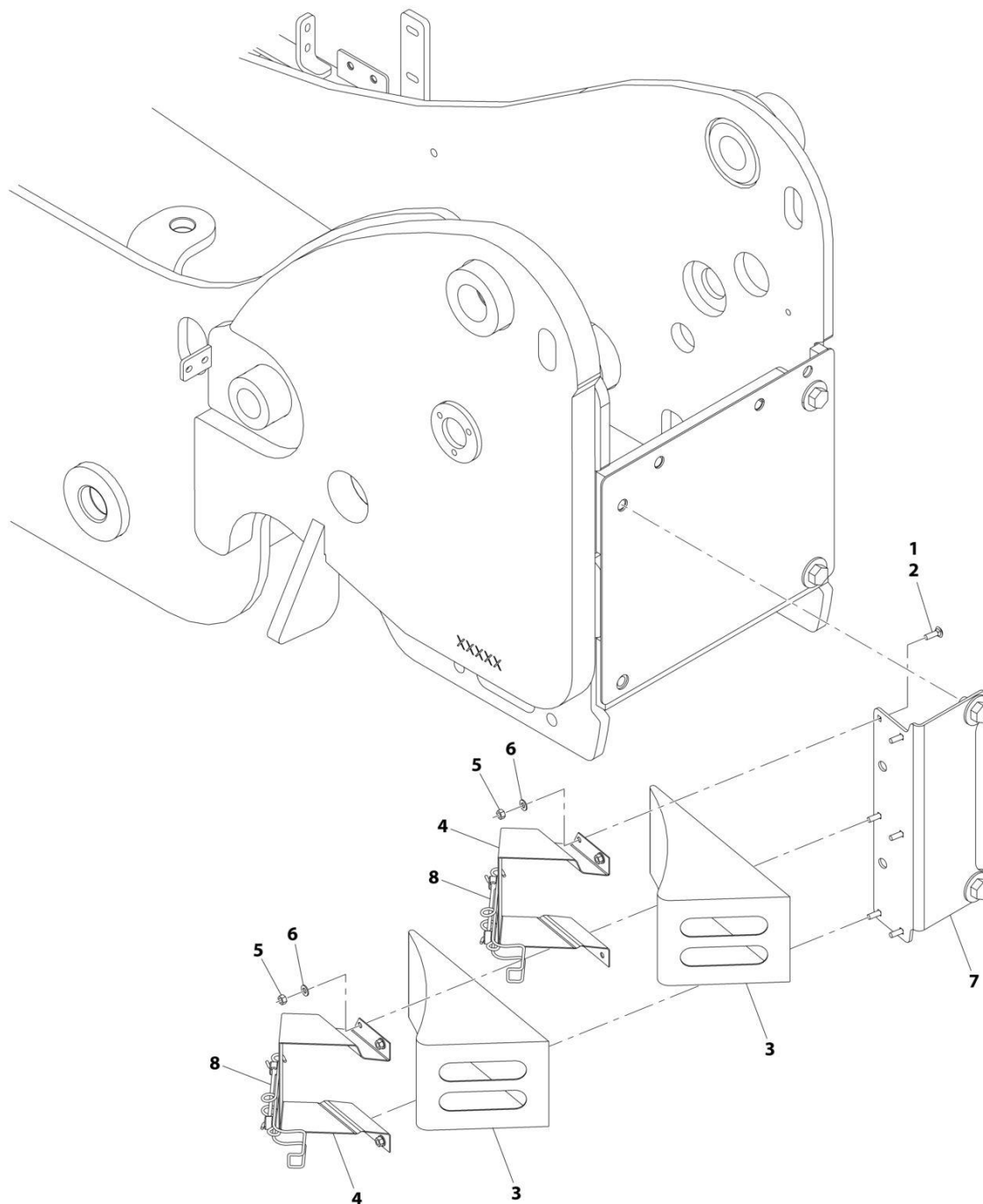
SECTION 1 - FRAME AND ATTACHING PARTS

FIGURE 1-12. MIRROR ASSEMBLY (CONVEX)

ITEM	PART NUMBER	QTY	DESCRIPTION	REV
	1001008436	Ref	Mirror Assembly (Convex)	D
1	1001008475	2	Washer, Lock	
2	1001009062	2	Washer	
3	1001010838	2	Bolt	

SECTION 1 - FRAME AND ATTACHING PARTS

FIGURE 1-13. WHEEL CHOCKS



ART_1001201527-B

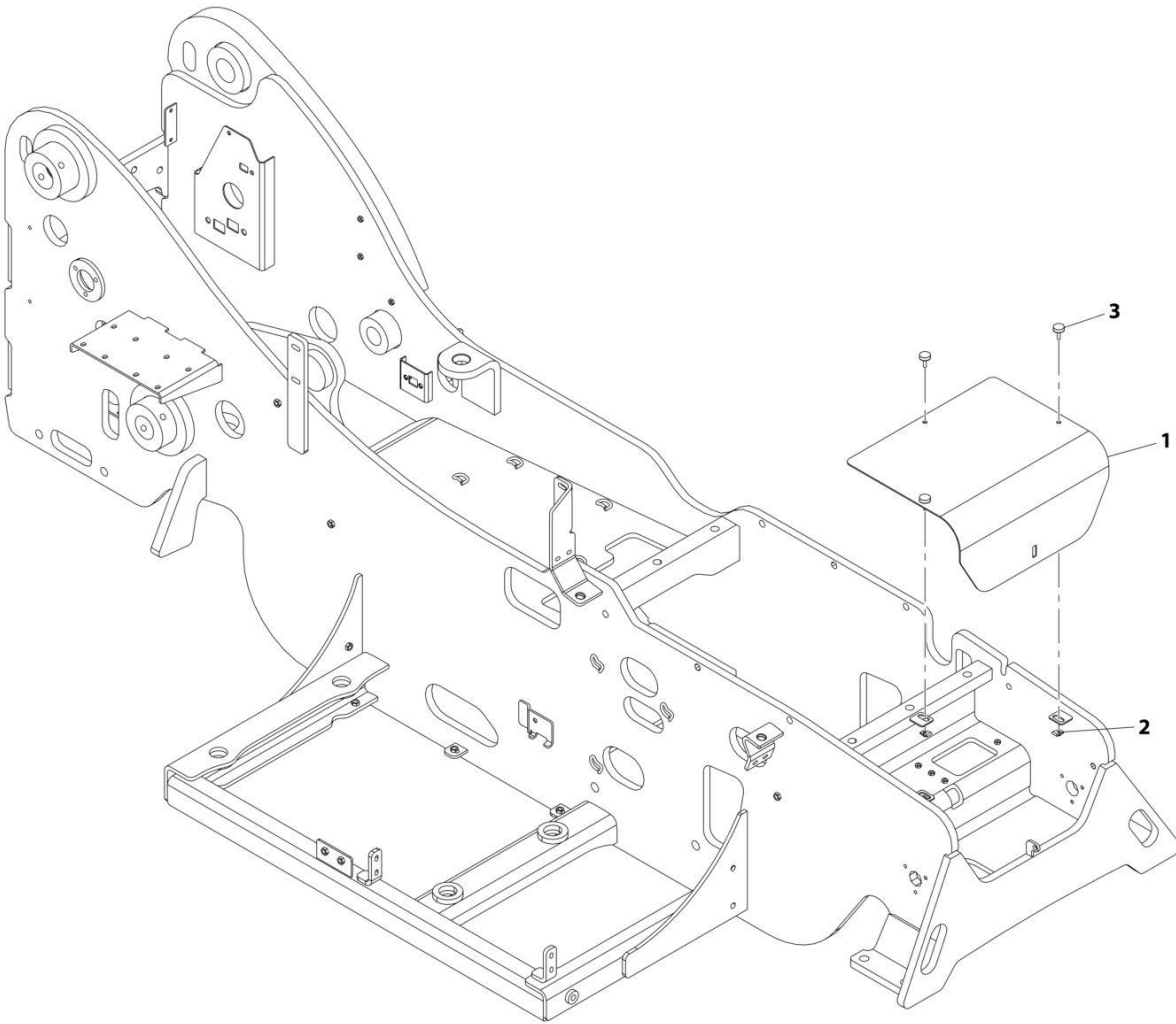
SECTION 1 - FRAME AND ATTACHING PARTS

FIGURE 1-13. WHEEL CHOCKS

ITEM	PART NUMBER	QTY	DESCRIPTION	REV
	1001201527	Ref	Wheel Chocks	B
1	0100011	AR	Loctite 242	
2	0630383	6	Bolt, Carriage	
3	806253	2	Wedge Assembly	
4	806264	2	Wedge Holder	
5	3311501	6	Hex Nut, 5/16-18, GR2	
6	4711500	6	Washer, 5/16	
7	1001201526	1	Wheel Chock Mounting	
8	1060628	2	Tie Down Cable	

SECTION 1 - FRAME AND ATTACHING PARTS

FIGURE 1-14. BATTERY COVER INSTALLATION



ART_1001200247-B

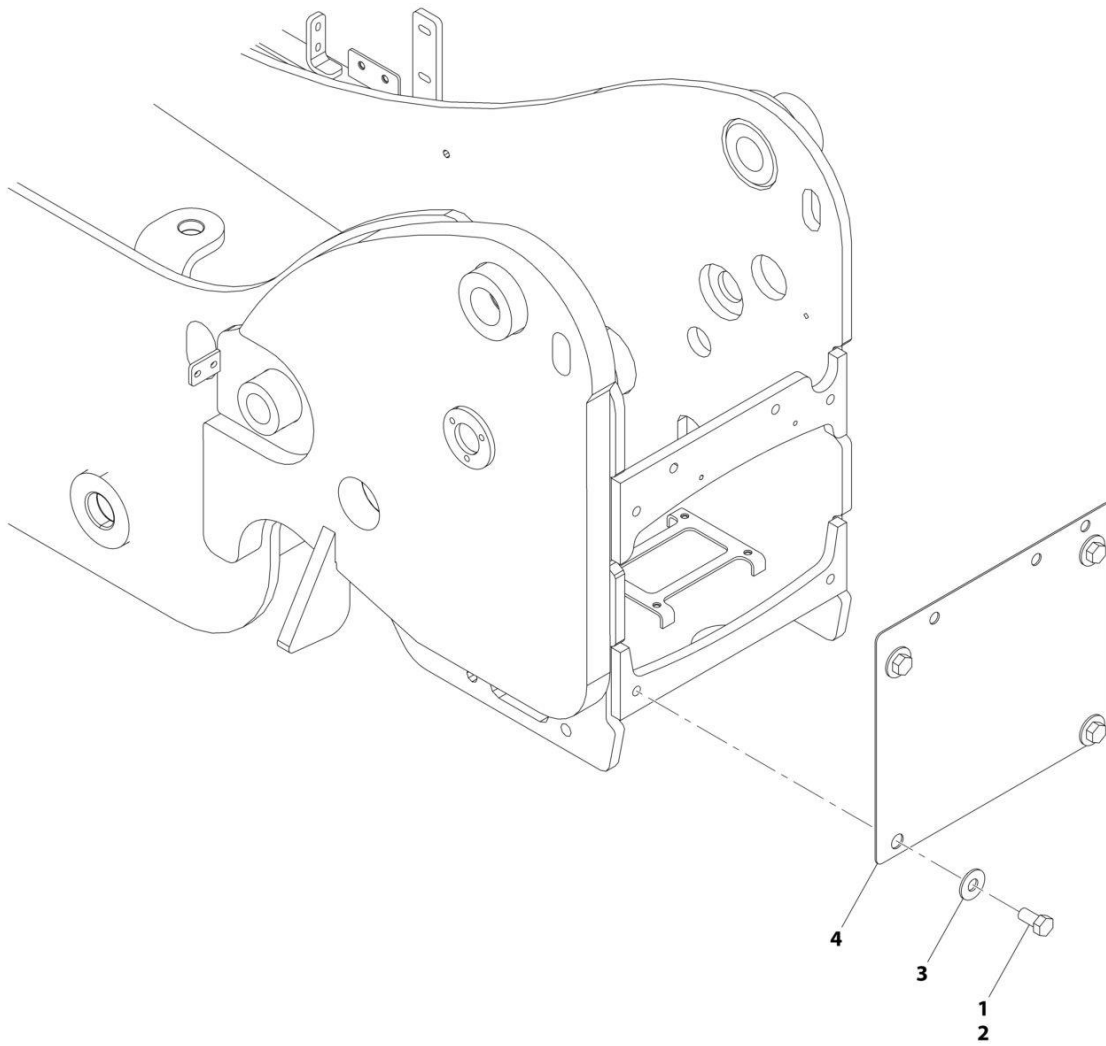
SECTION 1 - FRAME AND ATTACHING PARTS

FIGURE 1-14. BATTERY COVER INSTALLATION

ITEM	PART NUMBER	QTY	DESCRIPTION	REV
	1001200247	Ref	Battery Cover Installation	B
1	1001198349	1	Battery Cover	
2	1001130220	3	Tinnerman Nut, M6	
3	1001151183	3	Thumb Screw, M6-1X25.4	

SECTION 1 - FRAME AND ATTACHING PARTS

FIGURE 1-15. REAR COVER PLATE INSTALLATION, (NO HITCH)



ART_1001200598-D

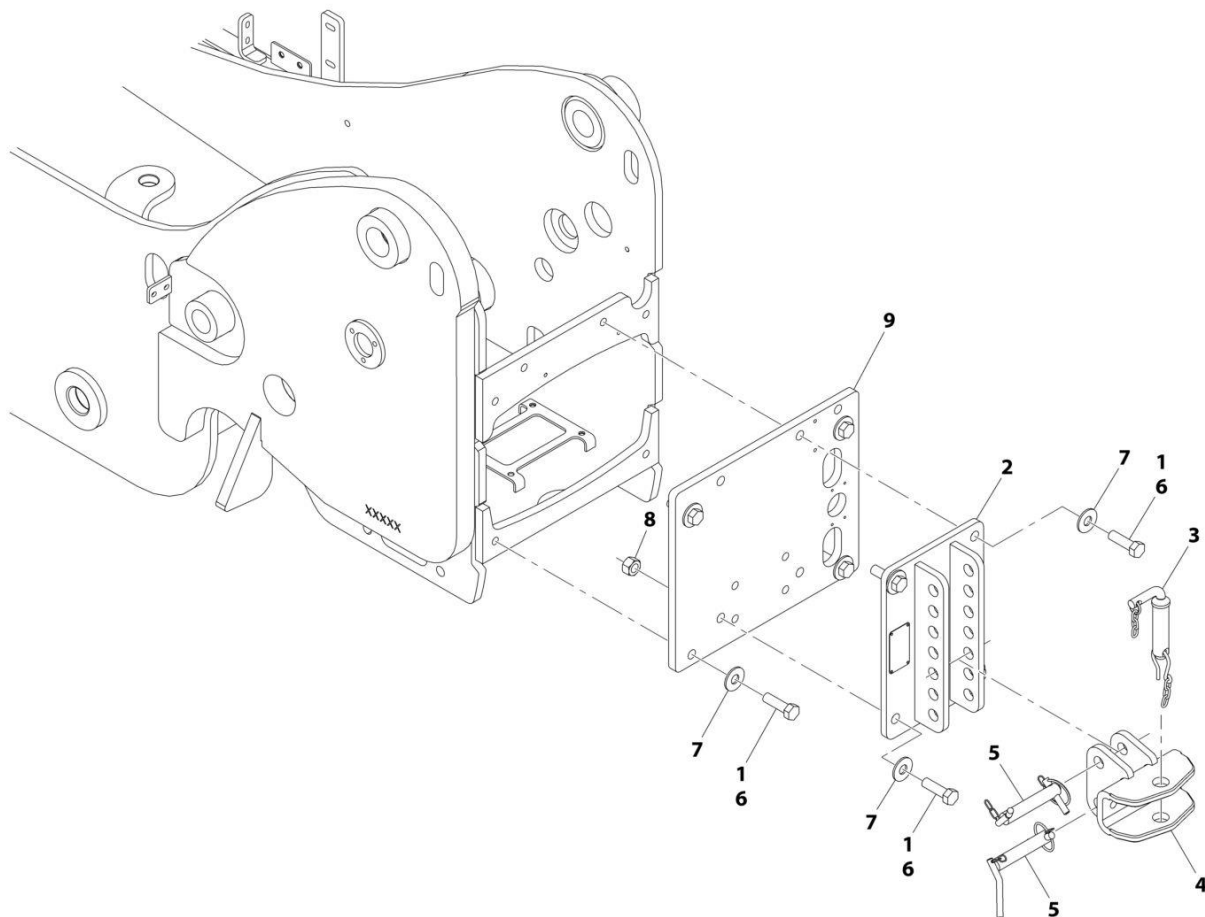
SECTION 1 - FRAME AND ATTACHING PARTS

FIGURE 1-15. REAR COVER PLATE INSTALLATION, (NO HITCH)

ITEM	PART NUMBER	QTY	DESCRIPTION	REV
	1001200598	Ref	Rear Cover Plate Installation, (No Hitch)	D
1	0100011	AR	Loctite 242	
2	0642212	4	Hex HD Capscrew, 3/4 - 10X1-1/2	
3	4752200	4	Washer, 3/4	
4	1001197490	1	Plate, Rear	

SECTION 1 - FRAME AND ATTACHING PARTS

FIGURE 1-16. HITCH INSTALLATION, MECHANICAL



ART_1001200599-8

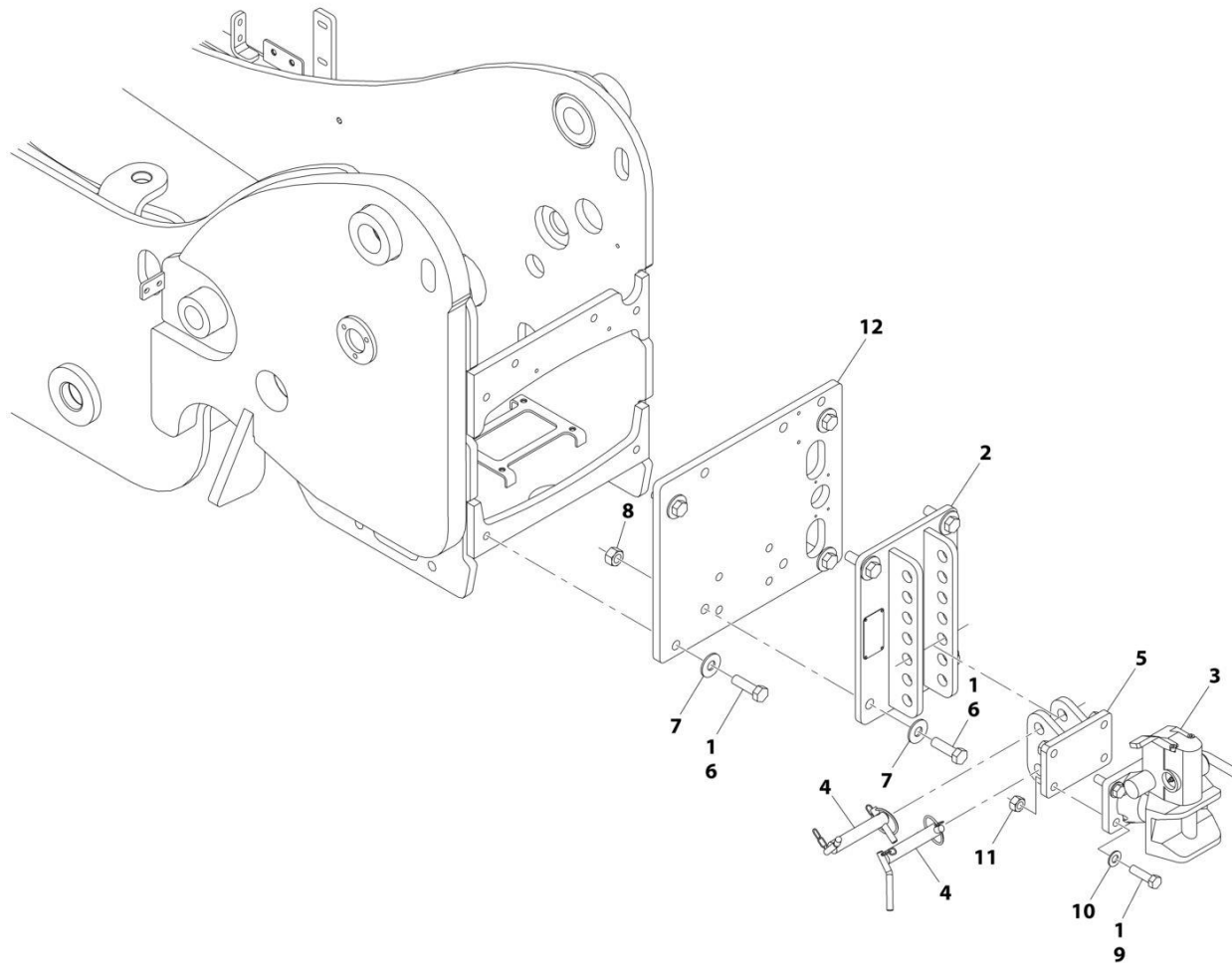
SECTION 1 - FRAME AND ATTACHING PARTS

FIGURE 1-16. HITCH INSTALLATION, MECHANICAL

ITEM	PART NUMBER	QTY	DESCRIPTION	REV
	1001200599	Ref	Hitch Installation, Mechanical	B
1	0100011	AR	Loctite 242	
2	0903083	1	Hitch Mounting Bracket	
3	3944574	1	Hitch Pin	
4	8010200	1	Hitch	
5	8010204	2	Hitch Mounting Pin	
6	0682220	8	Hex HD Capscrew, 3/4-10X2-1/2, GR8	
7	4752200	8	Washer, 3/4	
8	88501012	2	Hex Nut, 3/4-10	
9	1001200378	1	Plate, Rear Hitch Mount	

SECTION 1 - FRAME AND ATTACHING PARTS

FIGURE 1-17. HITCH INSTALLATION, MECHANICAL, AUTOMATIC



ART_1001200600-B

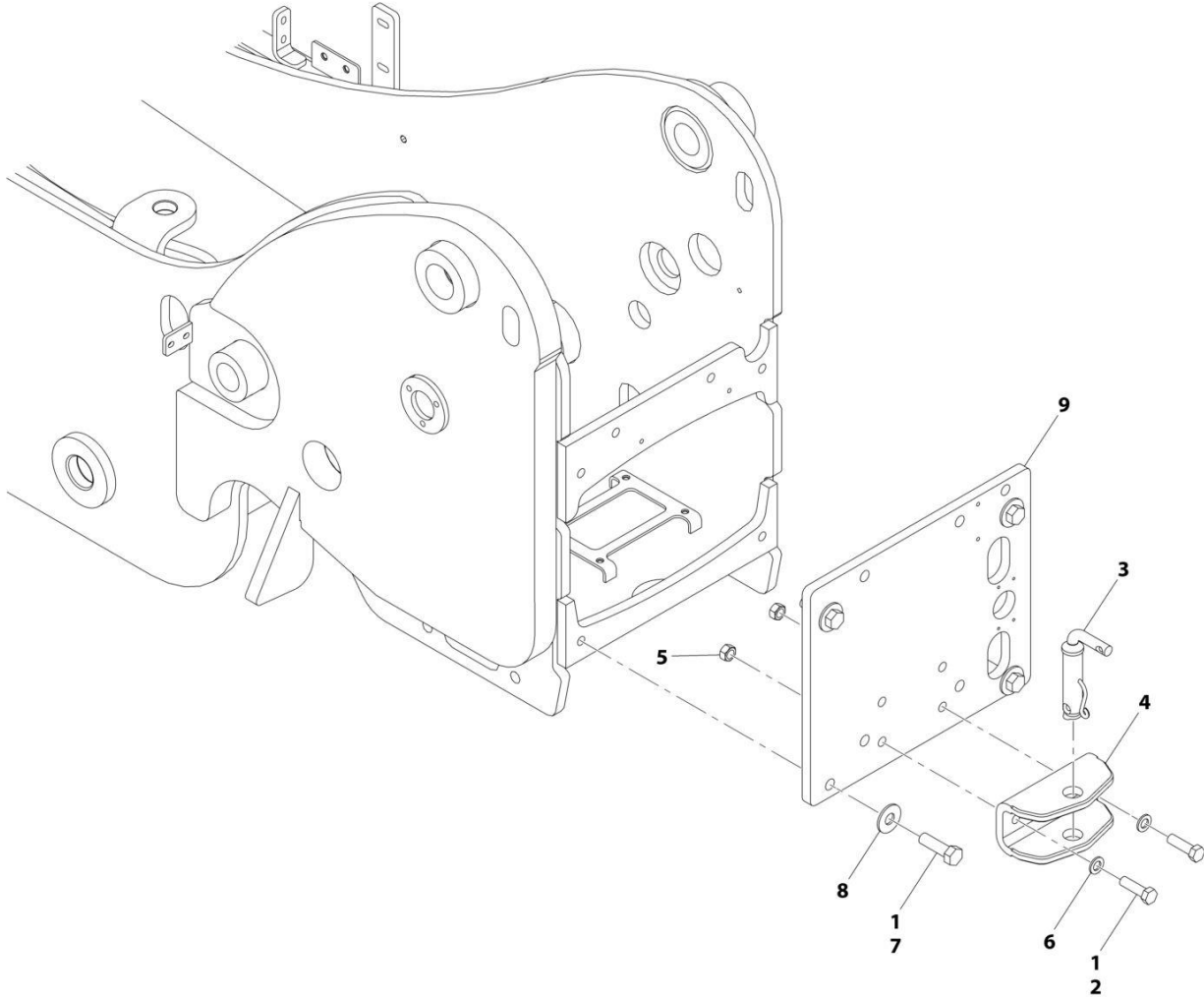
SECTION 1 - FRAME AND ATTACHING PARTS

FIGURE 1-17. HITCH INSTALLATION, MECHANICAL, AUTOMATIC

ITEM	PART NUMBER	QTY	DESCRIPTION	REV
	1001200600	Ref	Hitch Install, Mechanical, Automatic	B
1	0100011	AR	Loctite 242	
2	0903083	1	Hitch Mounting Bracket	
3	8002789	1	Automatic Hitch	
4	8010204	2	Hitch Mounting Pin	
5	8010234	1	Hitch Adapter	
6	0682220	8	Hex HD Capscrew, 3/4-10X2-1/2, GR8	
7	4752200	8	Washer, 3/4	
8	88501012	2	Hex Nut, 3/4-10	
9	0682018	4	Hex HD Capscrew, 5/8-11X2-1/4, GR8	
10	4712000	4	Washer, 5/8	
11	88501010	4	Hex Nut, 5/8-11	
12	1001200378	1	Plate, Rear Hitch Mount	

SECTION 1 - FRAME AND ATTACHING PARTS

FIGURE 1-18. HITCH INSTALLATION



ART_1001200601-B

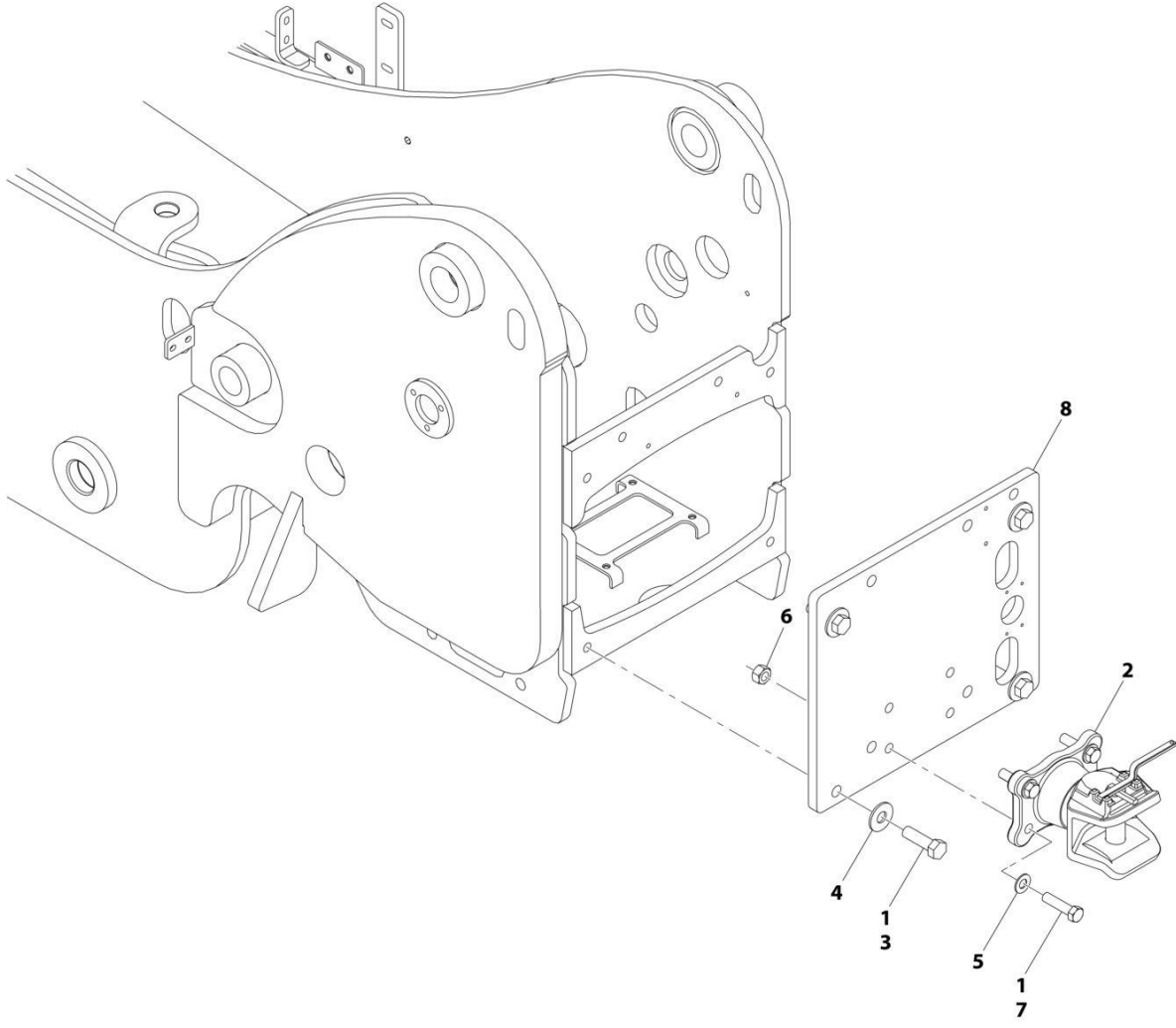
SECTION 1 - FRAME AND ATTACHING PARTS

FIGURE 1-18. HITCH INSTALLATION

ITEM	PART NUMBER	QTY	DESCRIPTION	REV
	1001200601	Ref	Hitch Installation	B
1	0100011	AR	Loctite 242	
2	0771619	2	Hex HD Capscrew, M16X55, GR10.9	
3	3944574	1	Hitch Pin	
4	4804533	1	Hitch	
5	4805921	2	Hex Nut, M16X2	
6	4812300	2	Washer, M16	
7	0682220	4	Hex HD Capscrew, 3/4-10X2-1/2, GR8	
8	4752200	4	Washer, 3/4	
9	1001200378	1	Plate, Rear Hitch Mount	

SECTION 1 - FRAME AND ATTACHING PARTS

FIGURE 1-19. HITCH INSTALLATION - EEC



ART_1001200602-B

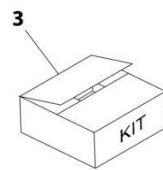
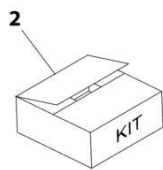
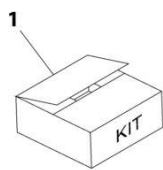
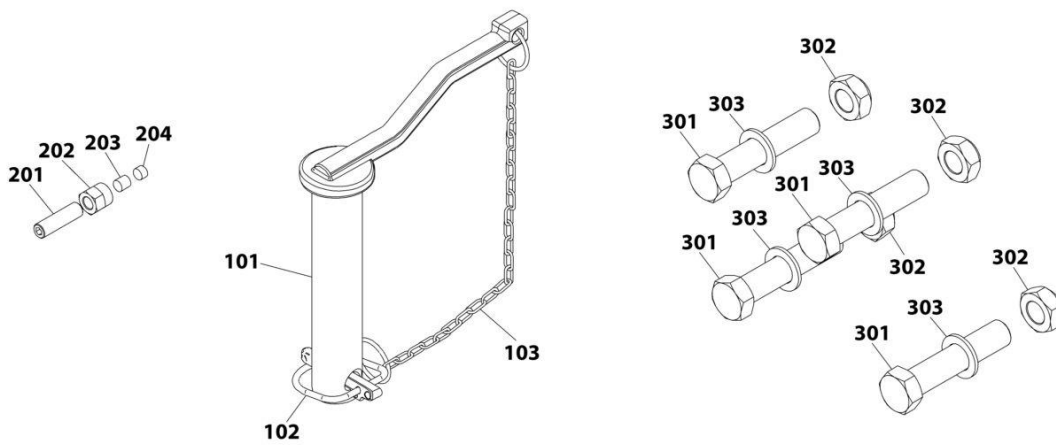
SECTION 1 - FRAME AND ATTACHING PARTS

FIGURE 1-19. HITCH INSTALLATION - EEC

ITEM	PART NUMBER	QTY	DESCRIPTION	REV
	1001200602	Ref	Hitch Installation - EEC	B
1	0100011	AR	Loctite 242	
2	1001110849	1	Hitch Assembly, (EEC) (See Separate Breakdown in this Section)	
3	0682220	4	Hex HD Capscrew, 3/4-10X2-1/2, GR8	
4	4752200	4	Washer, 3/4	
5	4712000	4	Washer, 5/8	
6	88501010	4	Hex Nut, 5/8-11	
7	83201102	4	Hex HD Capscrew, 5/8-11X2-1/2	
8	1001200378	1	Plate, Rear Hitch Mount	

SECTION 1 - FRAME AND ATTACHING PARTS

FIGURE 1-20. HITCH ASSEMBLY (FIXED)



ART_1001110849-B

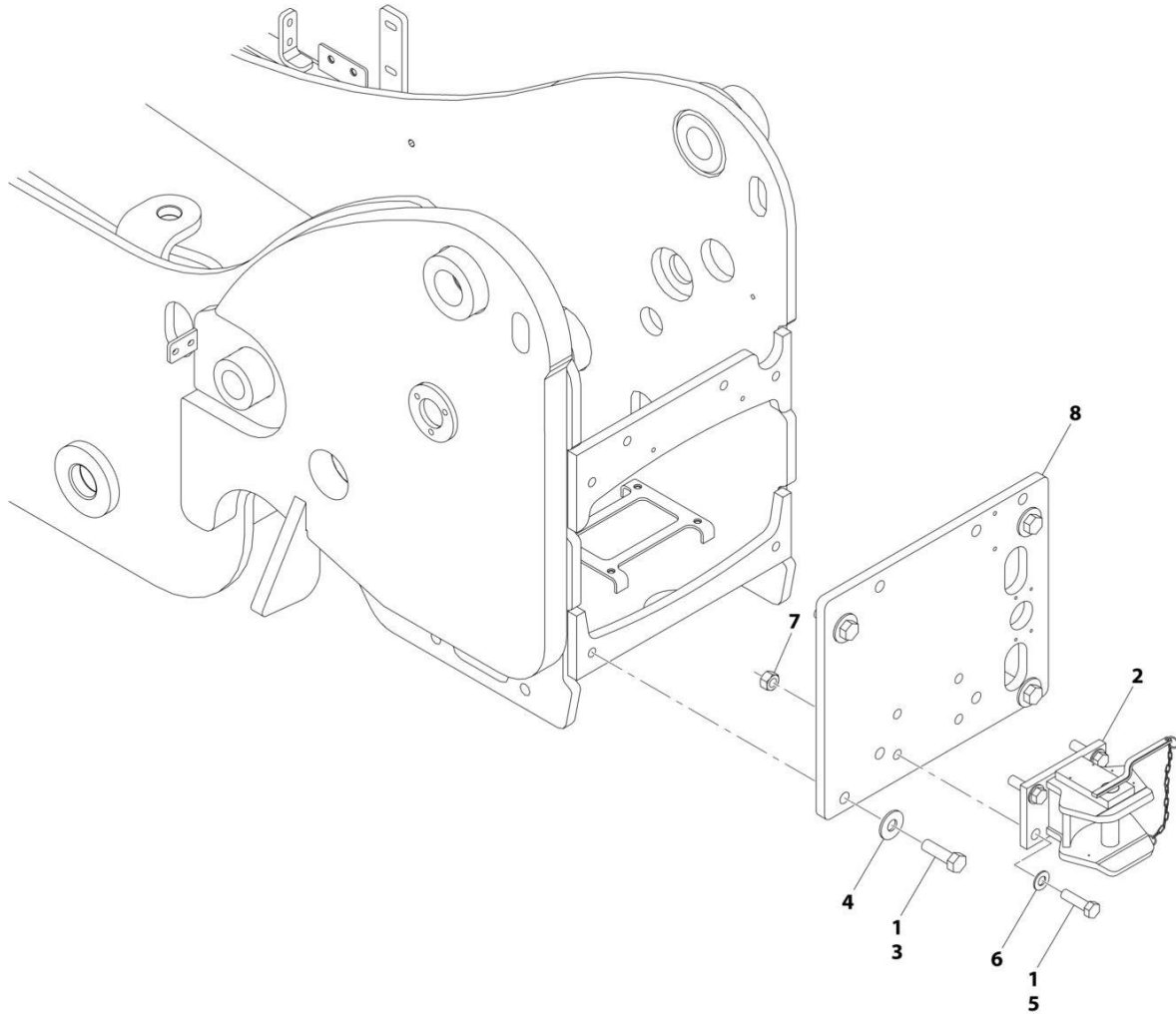
SECTION 1 - FRAME AND ATTACHING PARTS

FIGURE 1-20. HITCH ASSEMBLY (FIXED)

ITEM	PART NUMBER	QTY	DESCRIPTION	REV
	1001110849	Ref	Hitch Assembly (Fixed)	B
1	70027178	1	Kit, Towing Pin (includes items 101 thru 103)	
2	70027176	1	Kit, Friction (includes items 201 thru 204)	
3	70027177	1	Kit, Screws (includes items 301 thru 303)	
101	Kit	1	Pin	
102	Kit	1	Chain, Safety	
103	Kit	1	Pin, Safety	
201	Kit	1	Screw, M16X80	
202	Kit	1	Nut, M10	
203	Kit	1	Insert	
204	Kit	1	Insert	
301	Kit	4	Screw, M16X80	
302	Kit	4	Nut, M16	
303	Kit	4	Washer	

SECTION 1 - FRAME AND ATTACHING PARTS

FIGURE 1-21. HITCH INSTALLATION - CUNA-C



ART_1001200603-B

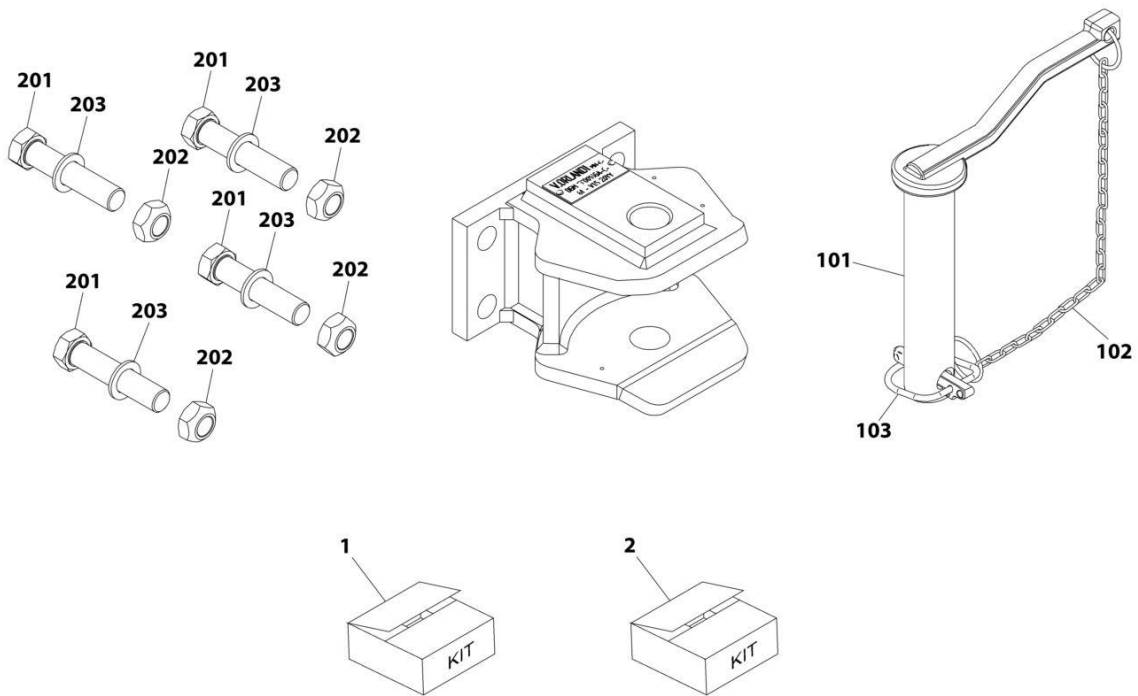
SECTION 1 - FRAME AND ATTACHING PARTS

FIGURE 1-21. HITCH INSTALLATION - CUNA-C

ITEM	PART NUMBER	QTY	DESCRIPTION	REV
	1001200603	Ref	Hitch Installation - Cuna-C	B
1	0100011	1	Loctite 242	
2	2620052	1	Hitch, 6M TON, (CUNA-C), (See Separate Breakdown in this Section)	
3	0682220	1	Hex HD Capscrew, 3/4-10X2-1/2, GR8	
4	4752200	1	Washer, 3/4	
5	0682018	1	Hex HD Capscrew, 5/8-11X2-1/4, GR8	
6	4712000	1	Washer, 5/8	
7	88501010	1	Hex Nut, 5/8-11	
8	1001200378	1	Plate, Rear Hitch Mount	

SECTION 1 - FRAME AND ATTACHING PARTS

FIGURE 1-22. HITCH ASSEMBLY (CUNA-C)



ART_2620052-A

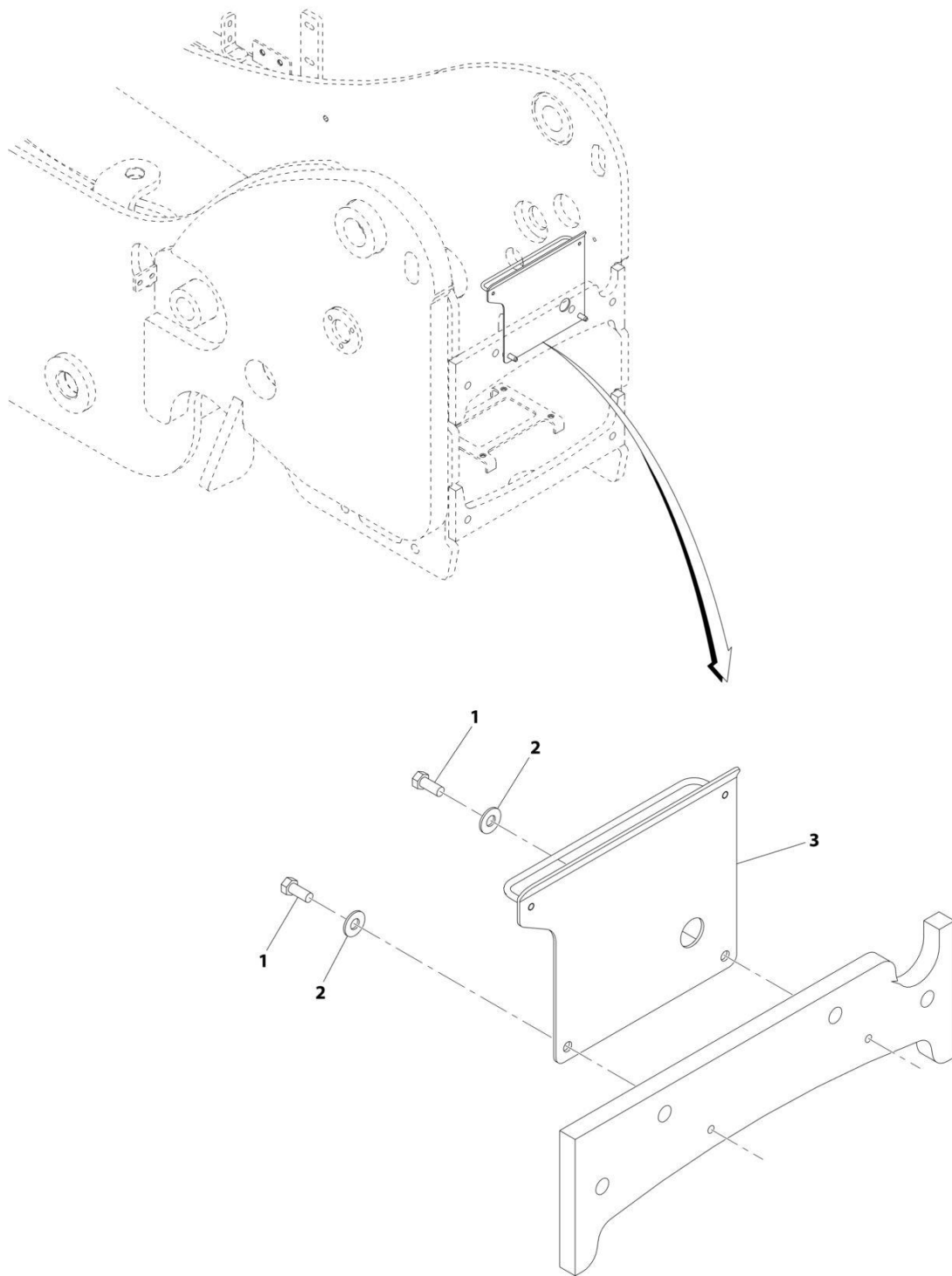
SECTION 1 - FRAME AND ATTACHING PARTS

FIGURE 1-22. HITCH ASSEMBLY (CUNA-C)

ITEM	PART NUMBER	QTY	DESCRIPTION	REV
	2620052	1	Hitch Assembly, (CUNA-C)	A
1	70022818	1	Towing Pin Kit, (Includes Items 101 thru 103)	
101	Kit	1	Pin	
102	Kit	1	Safety Chain	
103	Kit	1	Safety Pin	
2	70027176	1	Screw Kit, (Includes Items 201 thru 203)	
201	Kit	4	Screw, M16X80	
202	Kit	4	Nut, M16	
203	Kit	4	Washer	

SECTION 1 - FRAME AND ATTACHING PARTS

FIGURE 1-23. LICENSE HOLDER INSTALLATION, SMALL



ART_1001233572-B

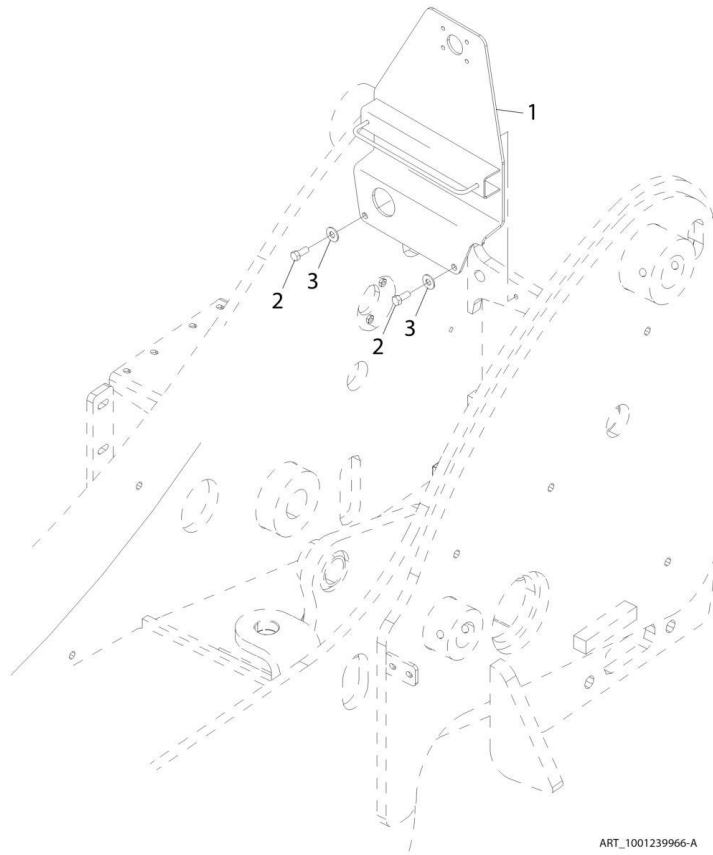
SECTION 1 - FRAME AND ATTACHING PARTS

FIGURE 1-23. LICENSE HOLDER INSTALLATION, SMALL

ITEM	PART NUMBER	QTY	DESCRIPTION	REV
	1001233572	Ref	License Holder Installation, Small	B
1	0641607	2	Hex HD Capscrew, 3/8-16X7/8, GR5	
2	4751600	2	Washer, 3/8	
3	1001232719	1	Support, Boom Hose Guide	

SECTION 1 - FRAME AND ATTACHING PARTS

FIGURE 1-24. LICENSE HOLDER INSTALLATION, LARGE



ART_1001239966-A

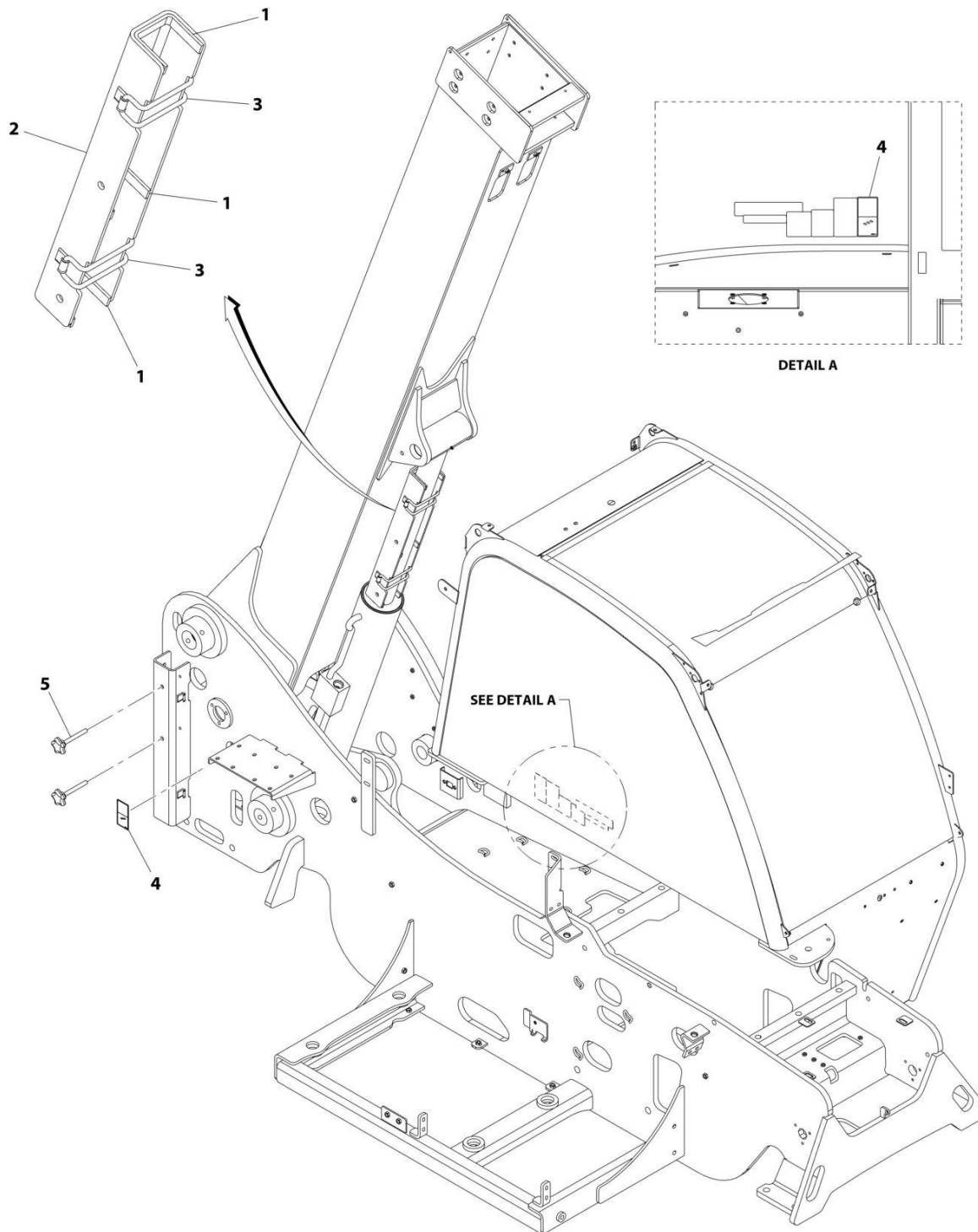
SECTION 1 - FRAME AND ATTACHING PARTS

FIGURE 1-24. LICENSE HOLDER INSTALLATION, LARGE

ITEM	PART NUMBER	QTY	DESCRIPTION	REV
	1001239966	Ref	License Holder Installation	A
1	1001239965	1	Hose Clamp Support	
2	0641607	2	Bolt, 3/8-16X7/8	
3	4751600	2	Washer, 3/8	

SECTION 1 - FRAME AND ATTACHING PARTS

FIGURE 1-25. LIFT CYLINDER PROP SUPPORT



ART_1001201659-A

SECTION 1 - FRAME AND ATTACHING PARTS

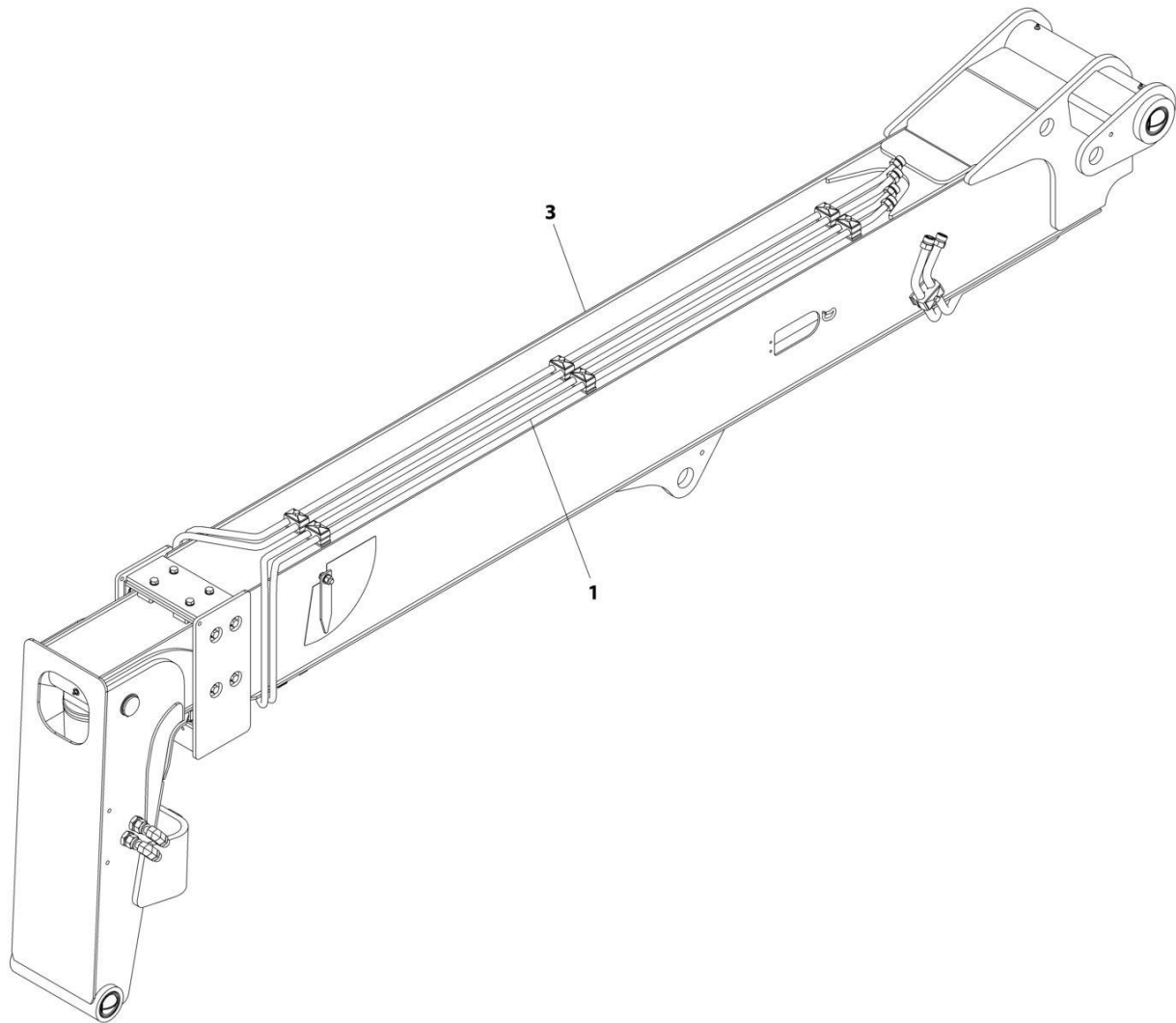
FIGURE 1-25. LIFT CYLINDER PROP SUPPORT

ITEM	PART NUMBER	QTY	DESCRIPTION	REV
	1001201659	Ref	Lift Cylinder Lock Installation	A
1	909304	640 mm	Rubber Profile, 18X5mm	
2	1271599	1	Lift Cylinder Lock Weldment	
3	1784861	2	O-Ring	
4	8005671	2	Cylinder Lock Warning Decal	
5	1001099887	2	Handle Screw, 12X103mm	

SECTION 2 - BOOM

SECTION 2 - BOOM

FIGURE 2-1. BOOM ASSEMBLY INSTALLATION, STD W/AUX



ART_1001233661-B

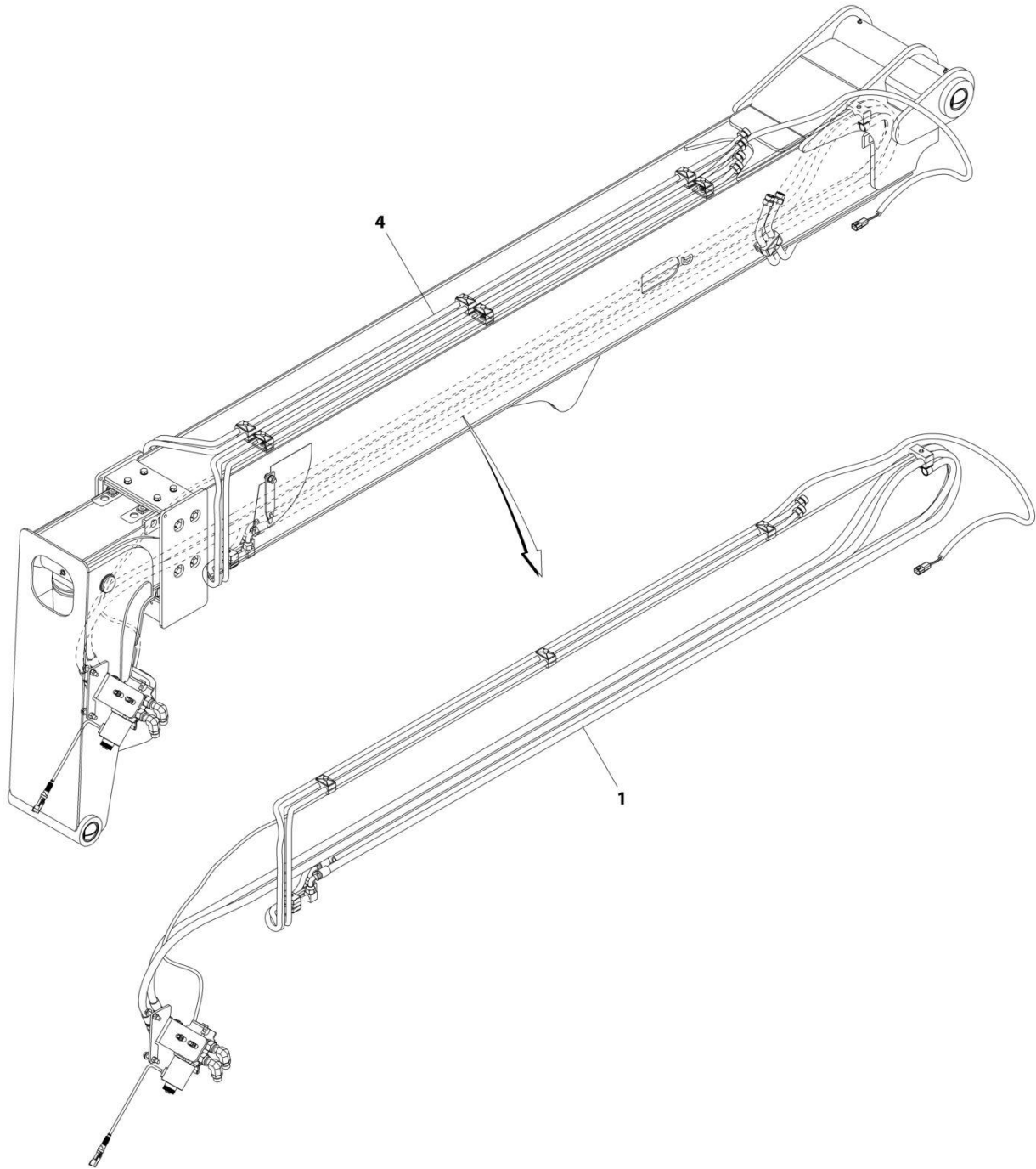
SECTION 2 - BOOM

FIGURE 2-1. BOOM ASSEMBLY INSTALLATION, STD W/AUX

ITEM	PART NUMBER	QTY	DESCRIPTION	REV
1	1001233661	Ref	Boom Assembly Installation, STD W/AUX	B
	1001237192	Ref	Installation, Standard Auxiliary Hydraulics (See Separate Breakdown in HYDRAULIC CIRCUITS Section)	
3	1001233660	Ref	Installation, Boom W/O Auxiliary (See Separate Breakdown in this Section)	

SECTION 2 - BOOM

FIGURE 2-2. BOOM ASSEMBLY INSTALLATION, W/AUX FOR QS



ART_1001233662-B

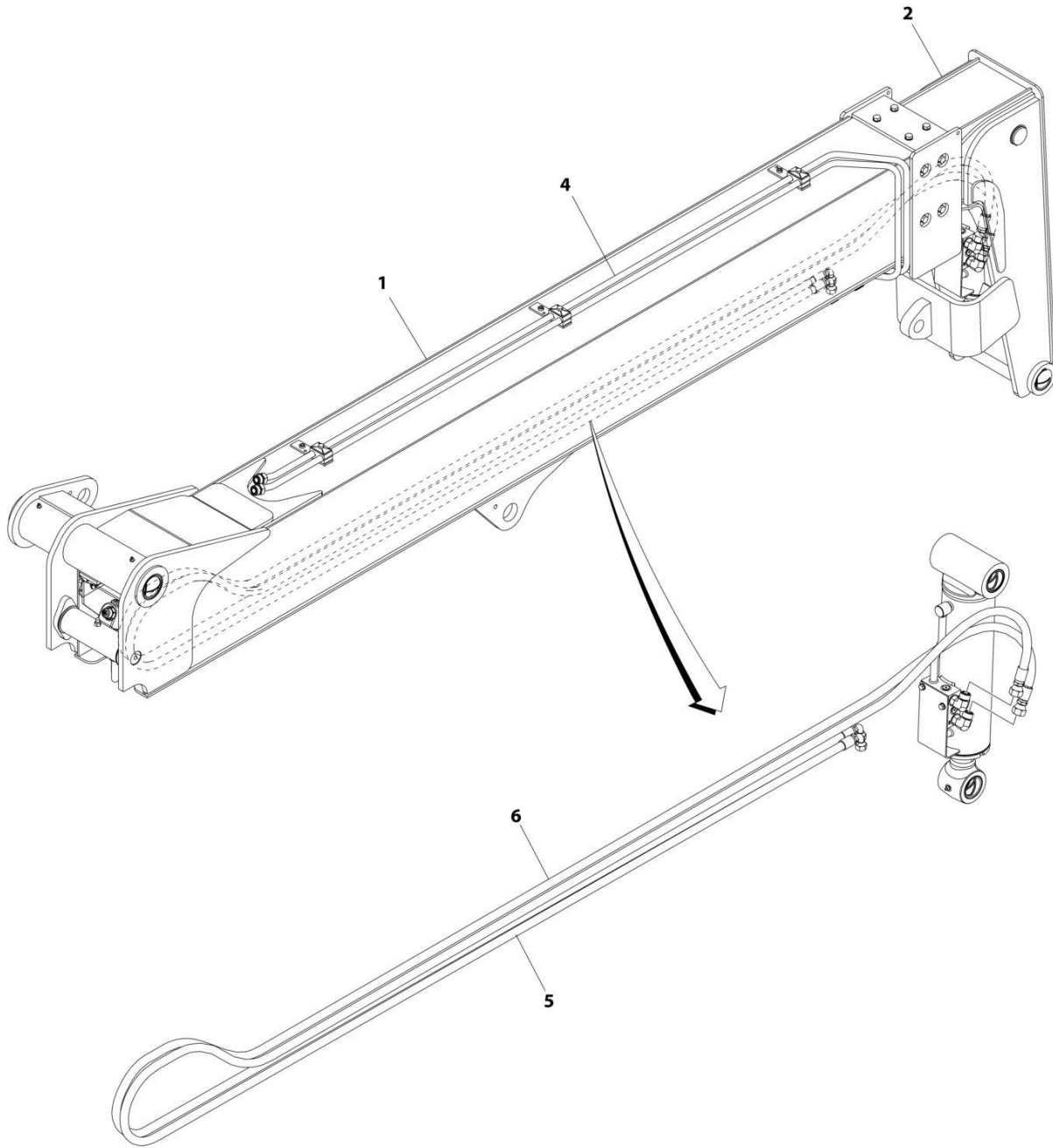
SECTION 2 - BOOM

FIGURE 2-2. BOOM ASSEMBLY INSTALLATION, W/AUX FOR QS

ITEM	PART NUMBER	QTY	DESCRIPTION	REV
1	1001233662	Ref	Boom Assembly Installation, W/AUX for QS	B
	1001237214	Ref	Installation, Auxiliary Hydraulics W/Quick Switch (See Separate Breakdown in HYDRAULIC CIRCUITS Section)	
4	1001233660	Ref	Installation, Boom W/O Auxiliary Assembly (See Separate Breakdown in this Section)	

SECTION 2 - BOOM

FIGURE 2-3. BOOM INSTALLATION, W/O AUX



ART_1001233660-B

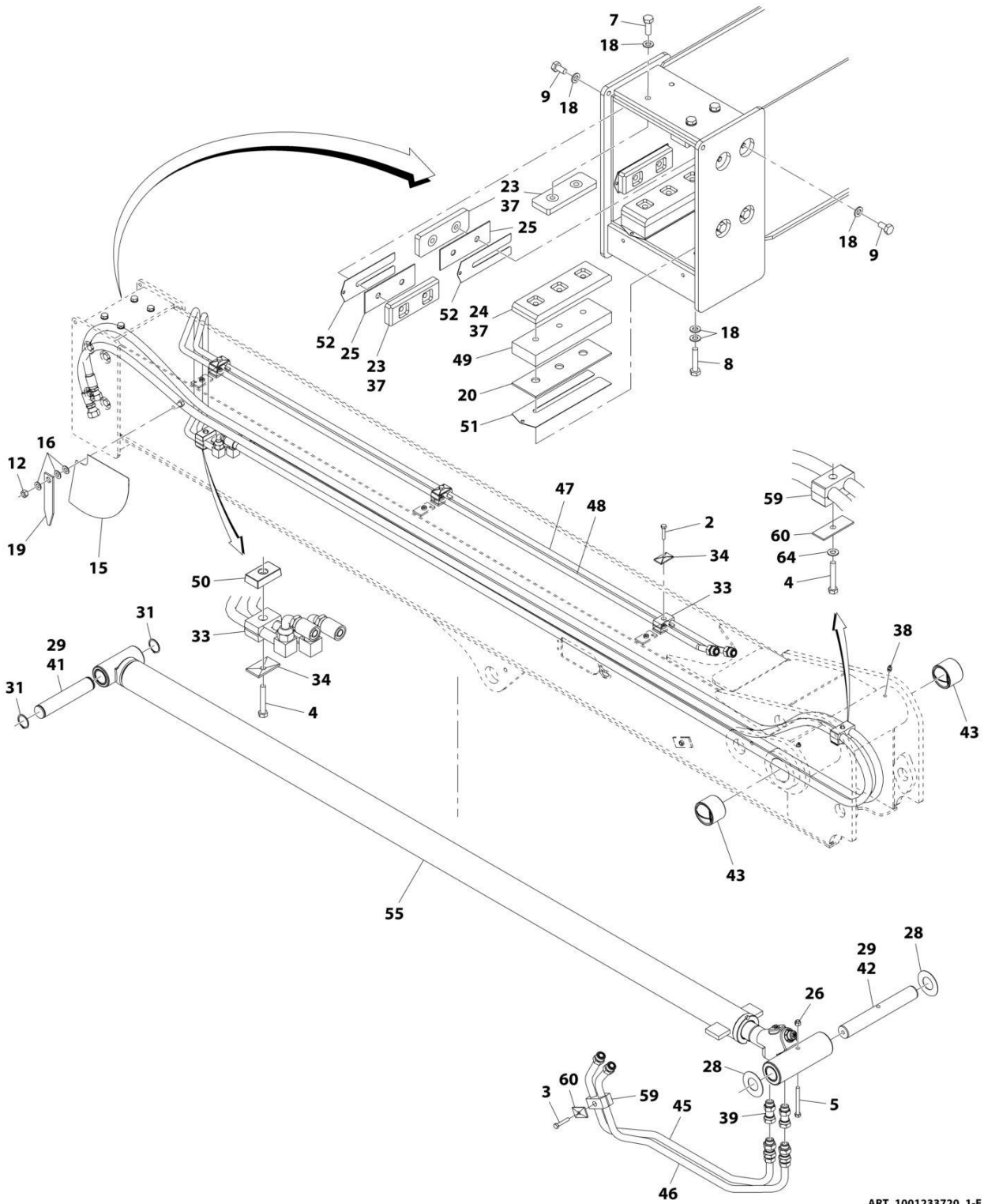
SECTION 2 - BOOM

FIGURE 2-3. BOOM INSTALLATION, W/O AUX

ITEM	PART NUMBER	QTY	DESCRIPTION	REV
	1001233660	Ref	Boom Assembly Installation, W/O Auxiliary	B
1	1001130338	1	First Boom Section	
2	1001228447	1	Second Boom Section	
4	1001233720	Ref	Installation, Boom Assembly (See Separate Breakdown in this Section)	
5	1001236782	1	Hose	
6	1001236783	1	Hose	

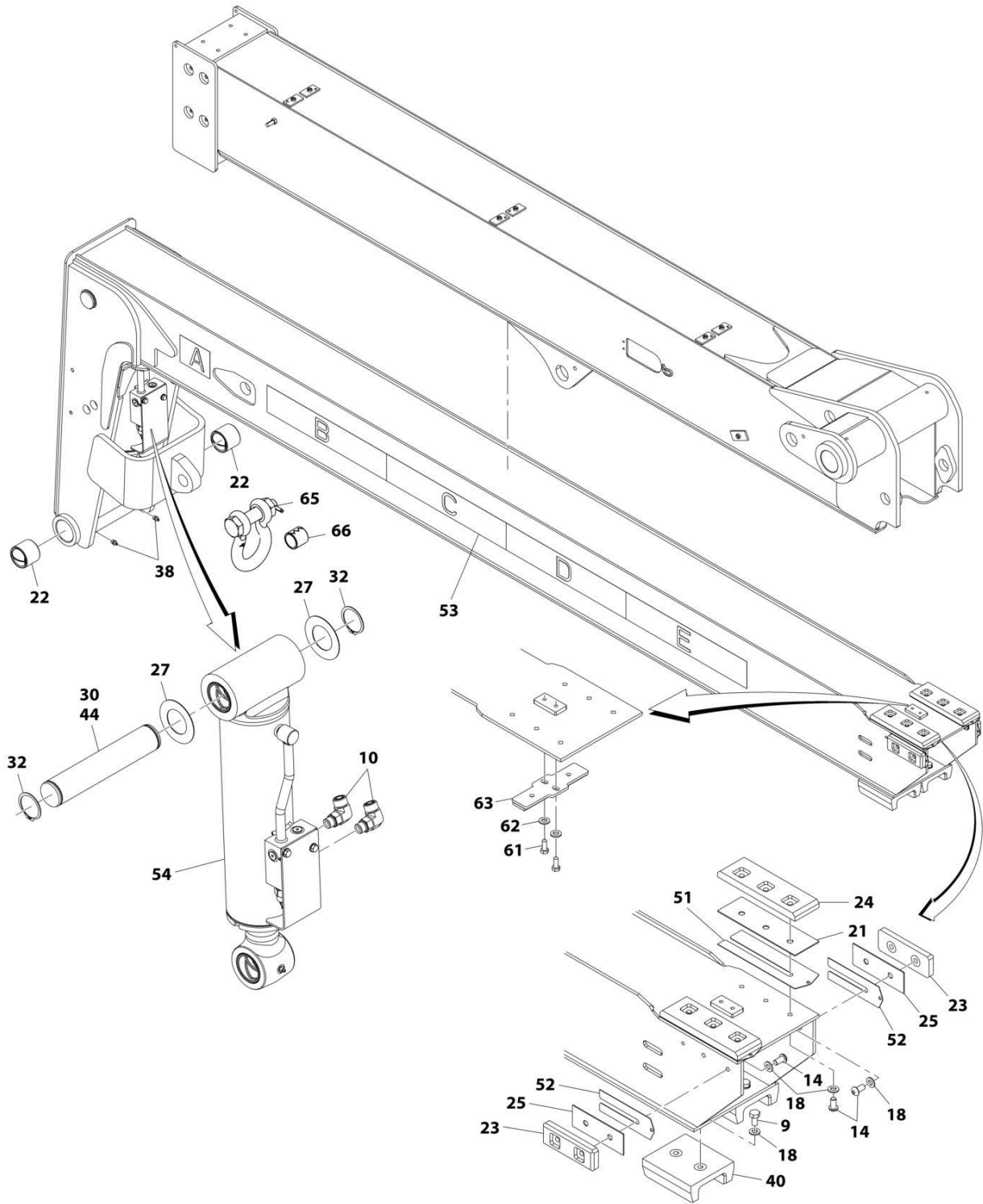
SECTION 2 - BOOM

FIGURE 2-4. BOOM W/O AUXILIARY HYDRAULIC INSTALLATION



ART_1001233720_1-E

SECTION 2 - BOOM



ART_1001233720_2-E

SECTION 2 - BOOM

FIGURE 2-4. BOOM W/O AUXILIARY HYDRAULIC INSTALLATION

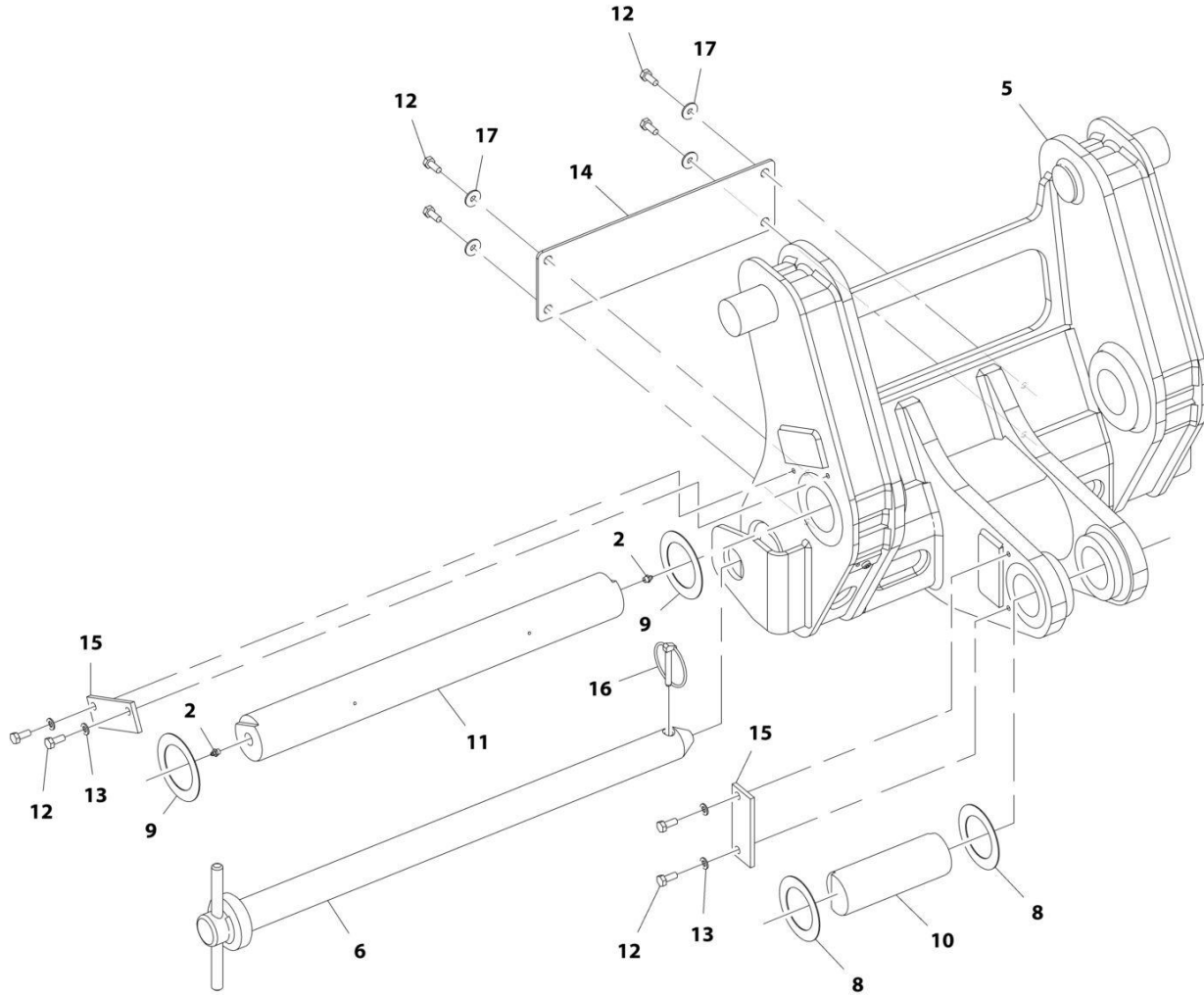
ITEM	PART NUMBER	QTY	DESCRIPTION	REV
	1001233720	Ref	Boom W/O Auxiliary Hydraulic Installation	E
2	0641512	3	Hex HD Capscrew, 5/16-18X1-1/2, GR5	
3	0641514	1	Hex HD Capscrew, 5/16-18X1-3/4, GR5	
4	0641516	2	Hex HD Capscrew, 5/16-18X2, GR5	
5	0641628	1	Hex HD Capscrew, 3/8-16X3-1/2, GR5	
7	0701014	4	Bolt, M10X30	
8	0701018	6	Hex HD Capscrew, M10X50, GR8.8	
9	0761010	12	Hex HD Capscrew, M10X20, GR8.8	
10	2131008	2	Fitting, 90 ORFS	
12	3311705	1	Locknut, 7/16-14	
14	3900393	10	Button HD Capscrew, M10-1.5X20	
15	4105262	1	Boom Angle Decal	
16	4711700	3	Flat Washer, 7/16	
18	4812000	38	Washer, M10	
19	7075611	1	Boom Angle Indicator	
20	7082362	AR	Spacer	
21	7126182	AR	Spacer	
22	7126662	2	Chain Sheave Bushing	
23	7300032	8	Wear Pad	
24	7300034	4	Wear Pad	
25	7300518	AR	Spacer, 1.90mm	
26	8305645	1	Hex Locknut, 3/8-16	
27	8307904	AR	Shim Washer, 2X0.048X3	
28	8310160	AR	Shim Washer, 1.50X0.048X3.00	
29	8522012	AR	Anti-Seize Lube	
30	8522031	AR	Multi-Purpose Grease	
31	8642207	2	Retaining Ring, 1.50	
32	8642224	2	Retaining Ring, 2.00	
33	8769122	4	Clamp Set, 5/8 Dia	
34	8769123	4	Twin Cover Plate	
37	14404793	AR	Mystik Tetrimoly Grease	
38	88671001	4	Straight Lube Fitting, 1/8	
39	1001001556	2	Fitting, Straight ORFS	
40	1001080050	2	Wear Pad Channel Assy	
41	1001080116	1	Base Pin	
42	1001080117	1	Rod Pin	
43	1001080124	2	Bushing	
44	1001080152	1	Base Pin	
45	1001080203	1	Tube Assy	
46	1001080204	1	Tube Assy	
47	1001080205	1	Tube Assy	
48	1001080206	1	Tube Assy	
49	1001080391	2	Wear Pad Spacer	
50	1001080394	1	Twin Line Clamp Spacer	
51	1001096584	AR	Shim	
52	1001096585	AR	Shim	
53	1001099783	1	Boom Extend Decal	
54	1001200581	1	Cylinder, Tilt (See Separate Breakdown in Hydraulic Components Section)	
55	1001201668	1	Cylinder, Extend/Retract (See Separate Breakdown in	

SECTION 2 - BOOM

ITEM	PART NUMBER	QTY	DESCRIPTION	REV
			HYDRAULIC COMPONENT Section)	
59	77133136	2	Set Clamp	
60	77133137	2	Cover Plate	
61	0760810	2	Hex HD Capscrew, M8X20, GR8.8	
62	4811900	2	Washer, M8	
63	1001238317	1	Bracket	
64	4711500	1	Washer, 5/16	
65	1001204045	1	Clevis	
66	1001204047	1	Sleeve	

SECTION 2 - BOOM

FIGURE 2-5. COUPLER INSTALLATION (MANUAL)



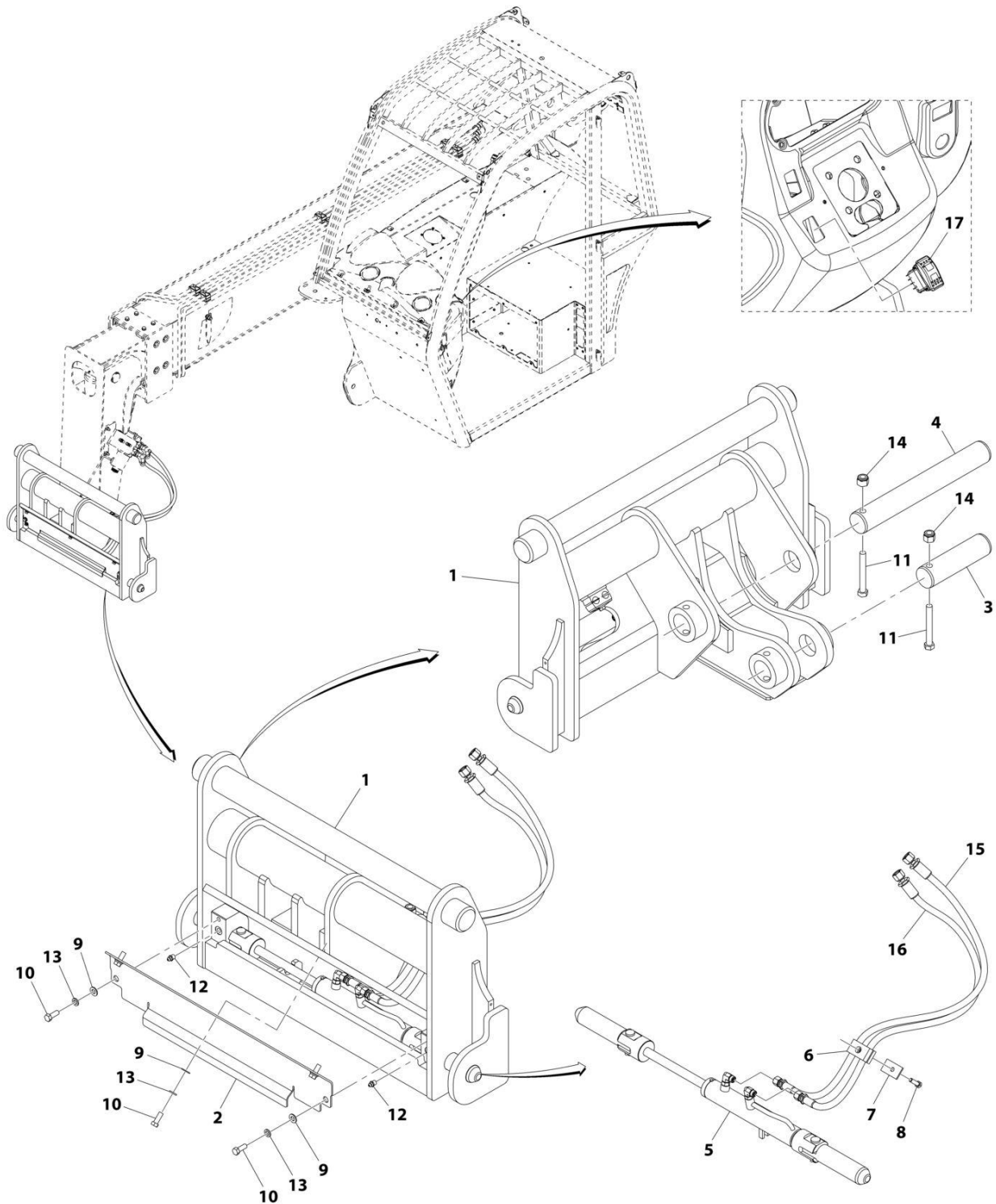
ART_1001174104-G

FIGURE 2-5. COUPLER INSTALLATION (MANUAL)

ITEM	PART NUMBER	QTY	DESCRIPTION	REV
	1001174104	Ref	Coupler Installation (Manual)	G
2	2160016	2	Fitting, Grease	
5	1001187820	1	Coupling, Manual	
6	1001187821	1	Pin	
8	1001187847	AR	Shim	
9	1001187848	AR	Shim	
10	1001190250	1	Pin, Tilt	
11	1001190264	1	Pin	
12	0761012	8	Bolt, M10X25	
13	4812000	4	Washer, M10	
14	1001200393	1	Plate, Front Cover	
15	1001210326	2	Plate	
16	1001003803	1	Pin	
17	4812002	4	Washer, M10	

SECTION 2 - BOOM

FIGURE 2-6. COUPLER INSTALLATION (HYDRAULIC)



ART_1001097255-G

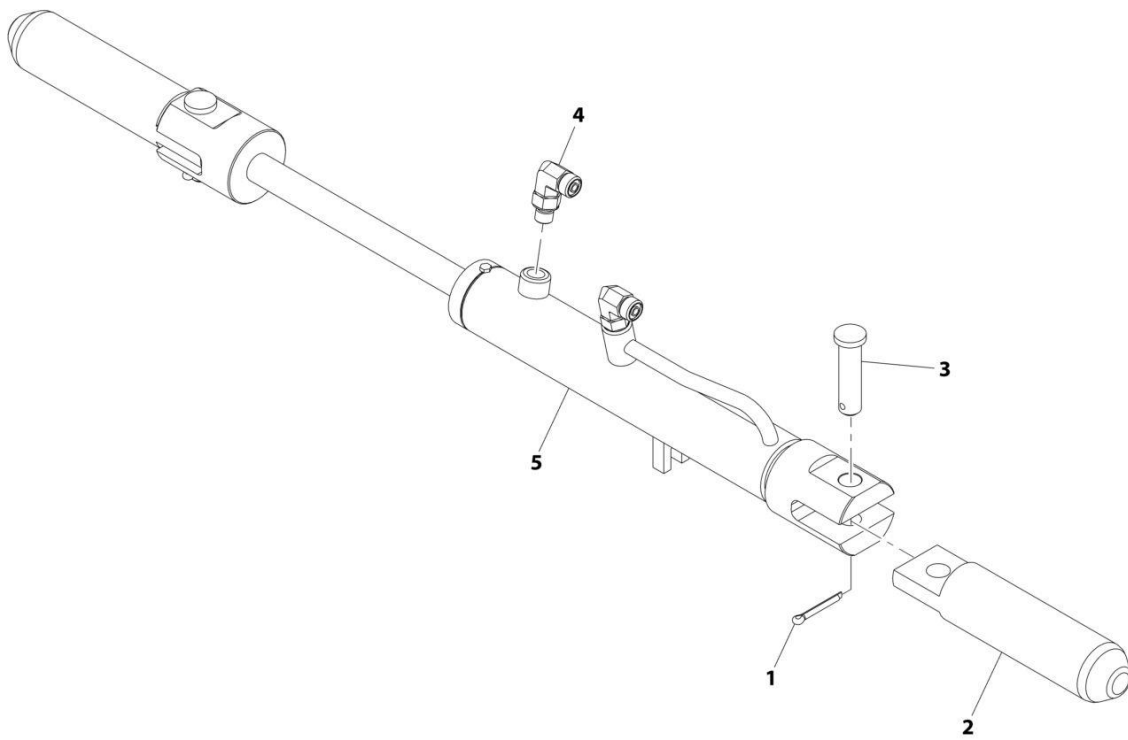
SECTION 2 - BOOM

FIGURE 2-6. COUPLER INSTALLATION (HYDRAULIC)

ITEM	PART NUMBER	QTY	DESCRIPTION	REV
	1001097255	Ref	Coupler Installation (Hydraulic)	G
1	1001097252	1	Hydraulic Quick Coupler Weldment	
2	1001097628	1	Cover Plate	
3	1001097728	1	Fork Cylinder Rod Pin	
4	1001097729	1	Quick Coupler Pivot Pin	
5	1001080333	Ref	Fork Locking Cylinder Kit, (See Separate Breakdown in this Section)	
6	8769122	1	Twin Clamp Set	
7	8769123	1	Twin Cover Plate	
8	8303739	1	Hex HD Capscrew, 5/16-18X1-1/4	
9	4711600	5	Flat Washer, 3/8	
10	0641608	5	Hex HD Capscrew, 3/8-16X1, GR5	
11	0681832	2	Hex HD Capscrew, 1/2-13X4, GR8	
12	2160002	2	Grease Fitting	
13	4761600	5	Lockwasher, 3/8	
14	88521208	2	Locknut, 1/2-13	
15	1001080565	1	Hose Assy	
16	1001096730	1	Hose Assy	
17	1001080375	Ref	Quick Coupler Switch	

SECTION 2 - BOOM

FIGURE 2-7. FORK LOCKING CYLINDER KIT



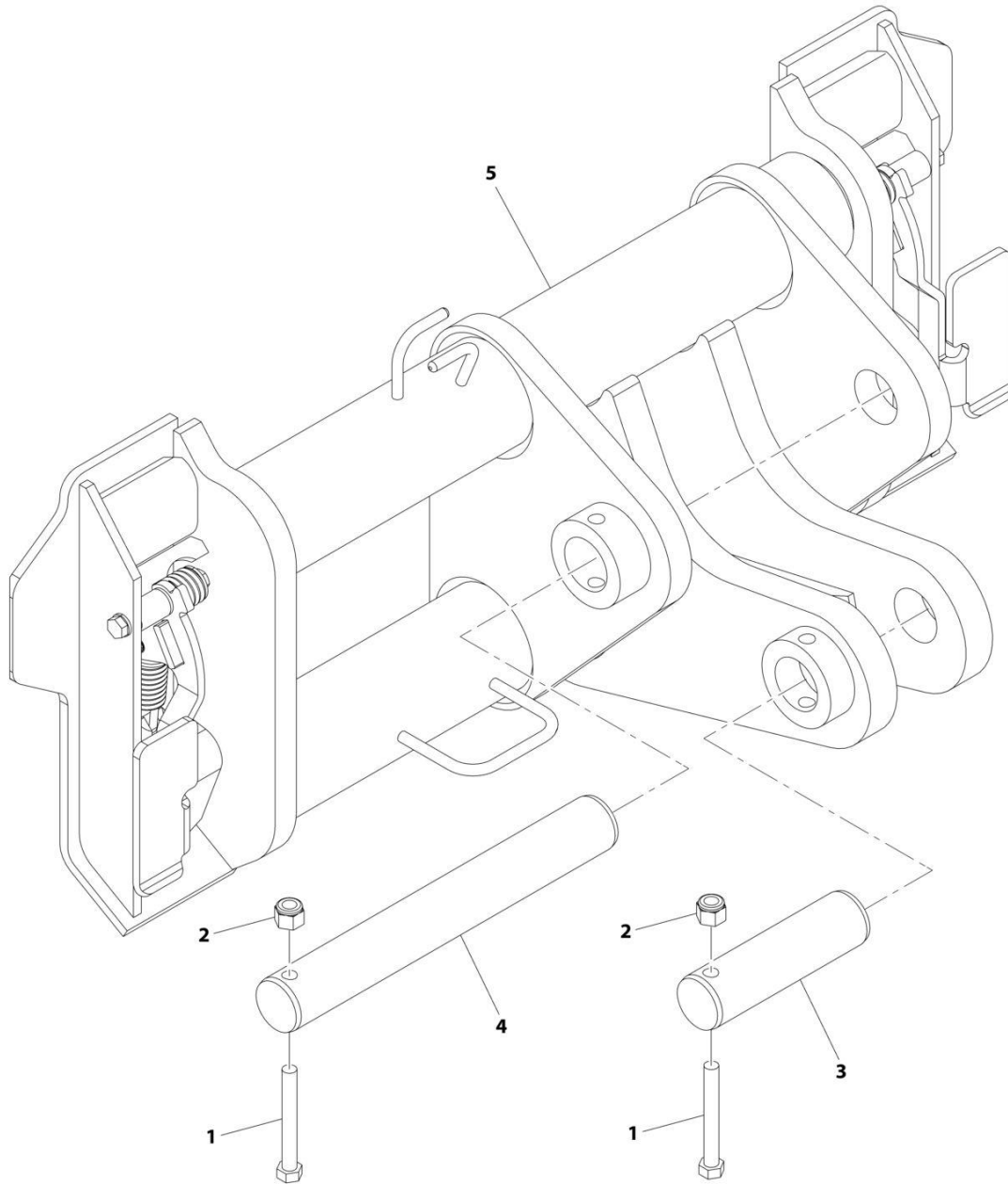
ART_1001080333-C

FIGURE 2-7. FORK LOCKING CYLINDER KIT

ITEM	PART NUMBER	QTY	DESCRIPTION	REV
	1001080333	Ref	Fork Locking Cylinder Kit	C
1	3391410	2	Split Pin	
2	8001888	2	Pin	
3	8002110	2	Clevis Pin	
4	2130404	2	Elbow, 90	
5	1001080334	Ref	Hydraulic Quick Coupler Cylinder, (See Separate Breakdown in HYDRAULIC COMPONENTS Section)	

SECTION 2 - BOOM

FIGURE 2-8. COUPLER INSTALLATION, UNIVERSAL (MANUAL)



ART_1001101185-C

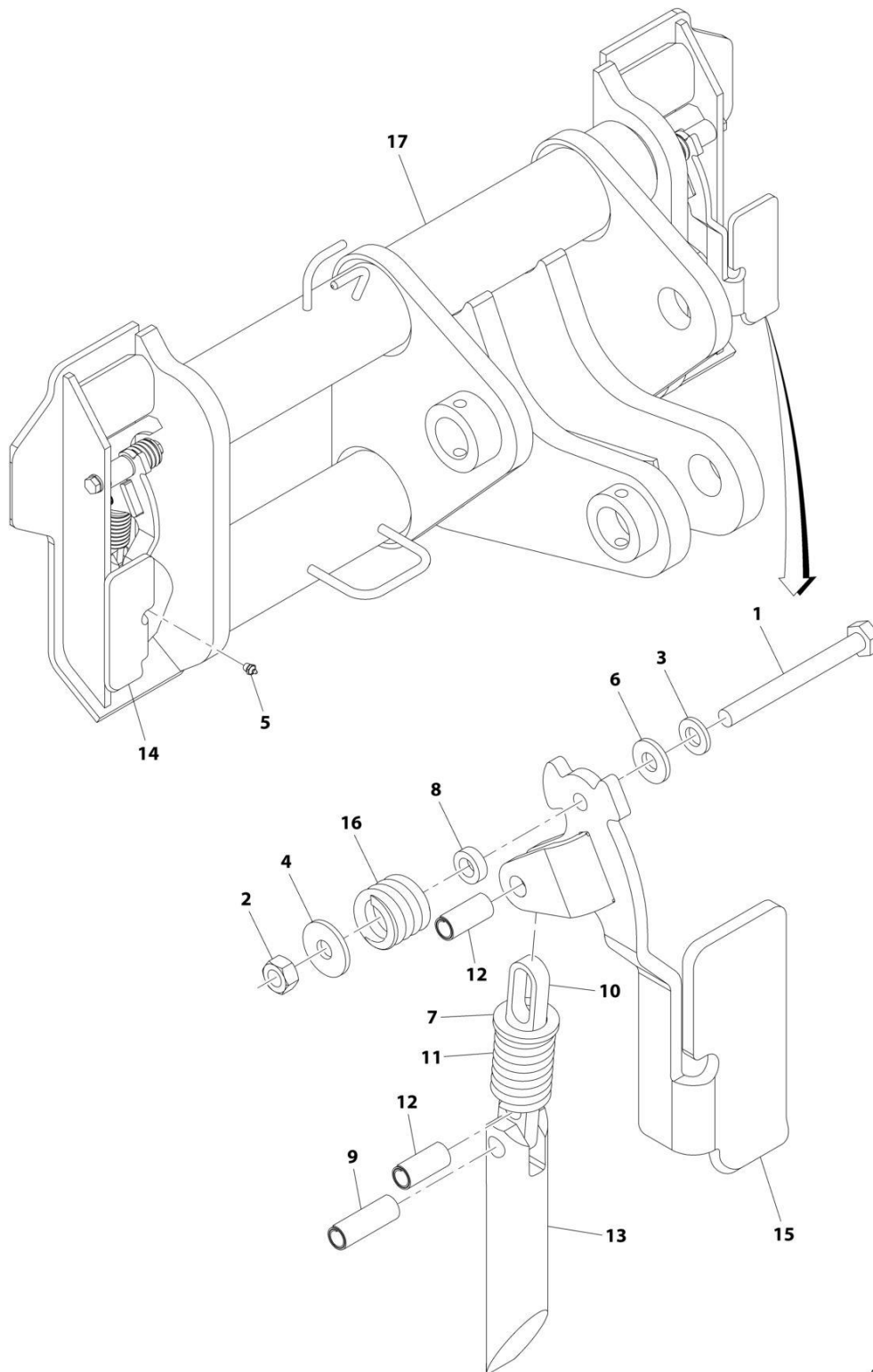
SECTION 2 - BOOM

FIGURE 2-8. COUPLER INSTALLATION, UNIVERSAL (MANUAL)

ITEM	PART NUMBER	QTY	DESCRIPTION	REV
	1001101185	Ref	Coupler Installation, Universal (Manual)	C
1	0681832	2	Hex HD Capscrew, 1/2-13X4, GR8	
2	88521208	2	Locknut, 1/2-13	
3	1001097728	1	Fork Cylinder Rod Pin	
4	1001097729	1	Universal Quick Coupler Pivot Pin	
5	1001117498	Ref	Universal Quick Coupler Assembly (See Separate Breakdown in this Section)	

SECTION 2 - BOOM

FIGURE 2-9. UNIVERSAL QUICK COUPLER ASSEMBLY



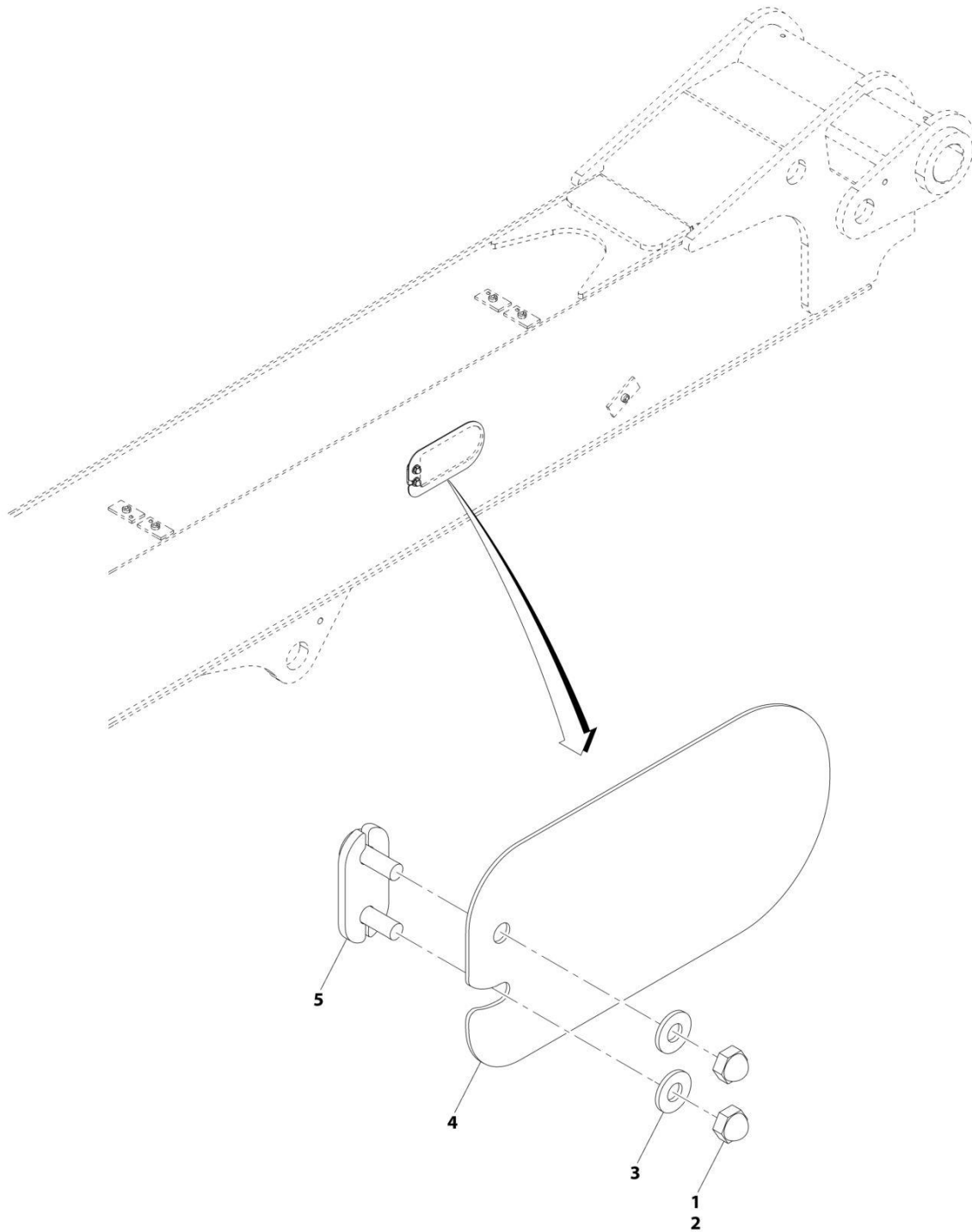
ART_1001117498-C

FIGURE 2-9. UNIVERSAL QUICK COUPLER ASSEMBLY

ITEM	PART NUMBER	QTY	DESCRIPTION	REV
	1001117498	Ref	Universal Quick Coupler Assembly, (if ordering for the first time, refer to Decals Section for the appropriate capacity chart)	C
1	0701027	2	Hex HD Capscrew	
2	3291007	2	Hex Locknut, M10X1.5, Gr8	
3	5241000	2	Washer, 10mm	
4	1001003299	2	Washer	
5	1001008479	2	Grease Fitting	
6	1001008979	2	Washer	
7	1001009094	2	Washer	
8	1001055652	2	Washer	
9	1001061633	2	Spring Pin	
10	1001061659	2	Plate	
11	1001061660	2	Spring	
12	1001061662	4	Spring Pin	
13	1001061891	2	Pin	
14	1001061892	1	LH Handle	
15	1001061893	1	RH Handle	
16	1001062117	2	Spring	
17	N.S.S.	1	Universal Quick Coupler Weldment	

SECTION 2 - BOOM

FIGURE 2-10. BOOM SIDE COVER INSTALLATION



ART_1001139177-C

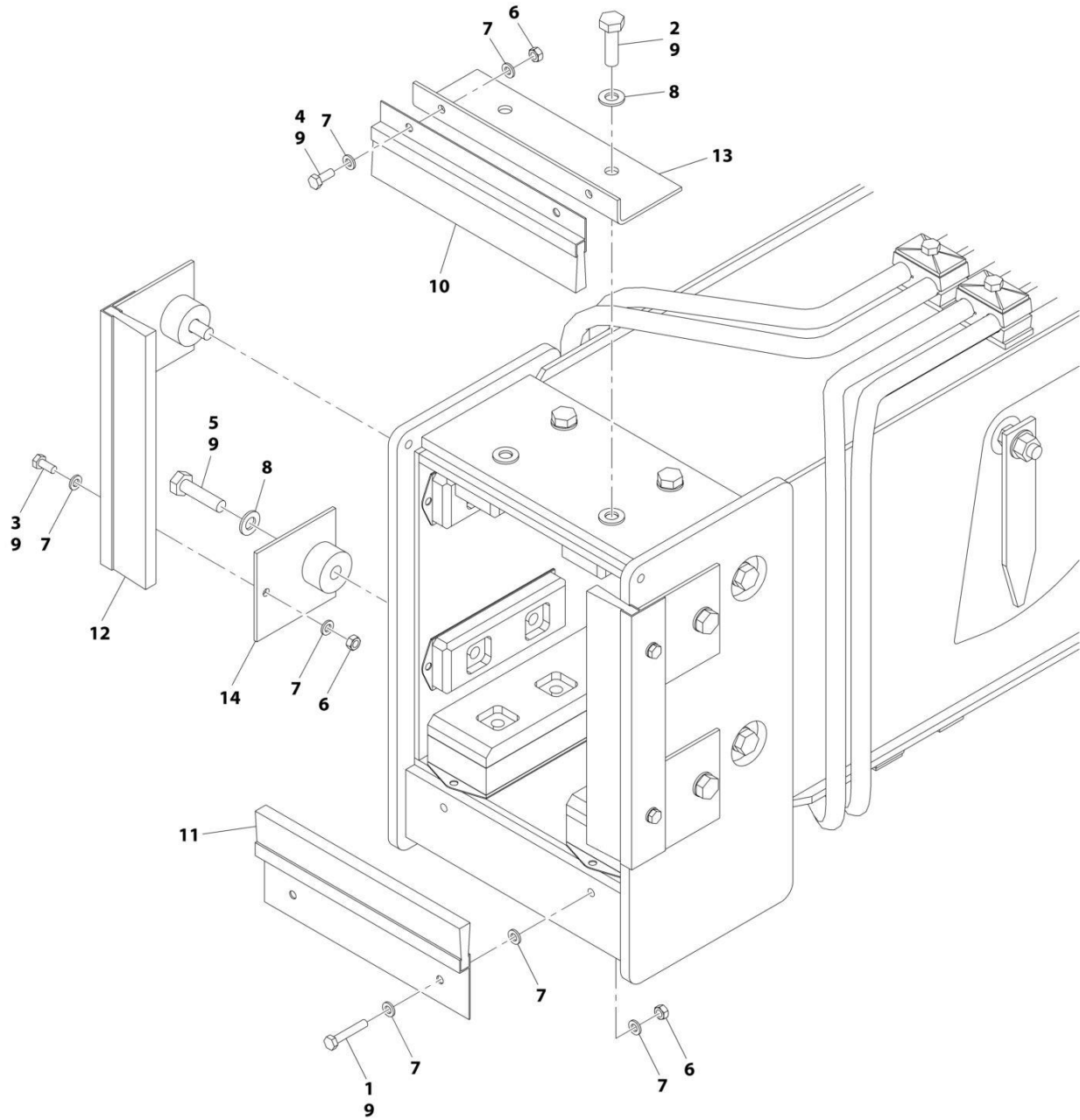
SECTION 2 - BOOM

FIGURE 2-10. BOOM SIDE COVER INSTALLATION

ITEM	PART NUMBER	QTY	DESCRIPTION	REV
	1001139177	Ref	Boom Side Cover Installation	C
1	0100011	AR	Compound, Locking	
2	3300430	2	Acorn Nut, 1/4-20	
3	4711400	2	Washer, 1/4	
4	1001139042	1	Boom Side Cover Panel	
5	1001139043	1	Cover Retainer Screw	

SECTION 2 - BOOM

FIGURE 2-11. BOOM BRUSHES INSTALLATION



ART_1001146888-B

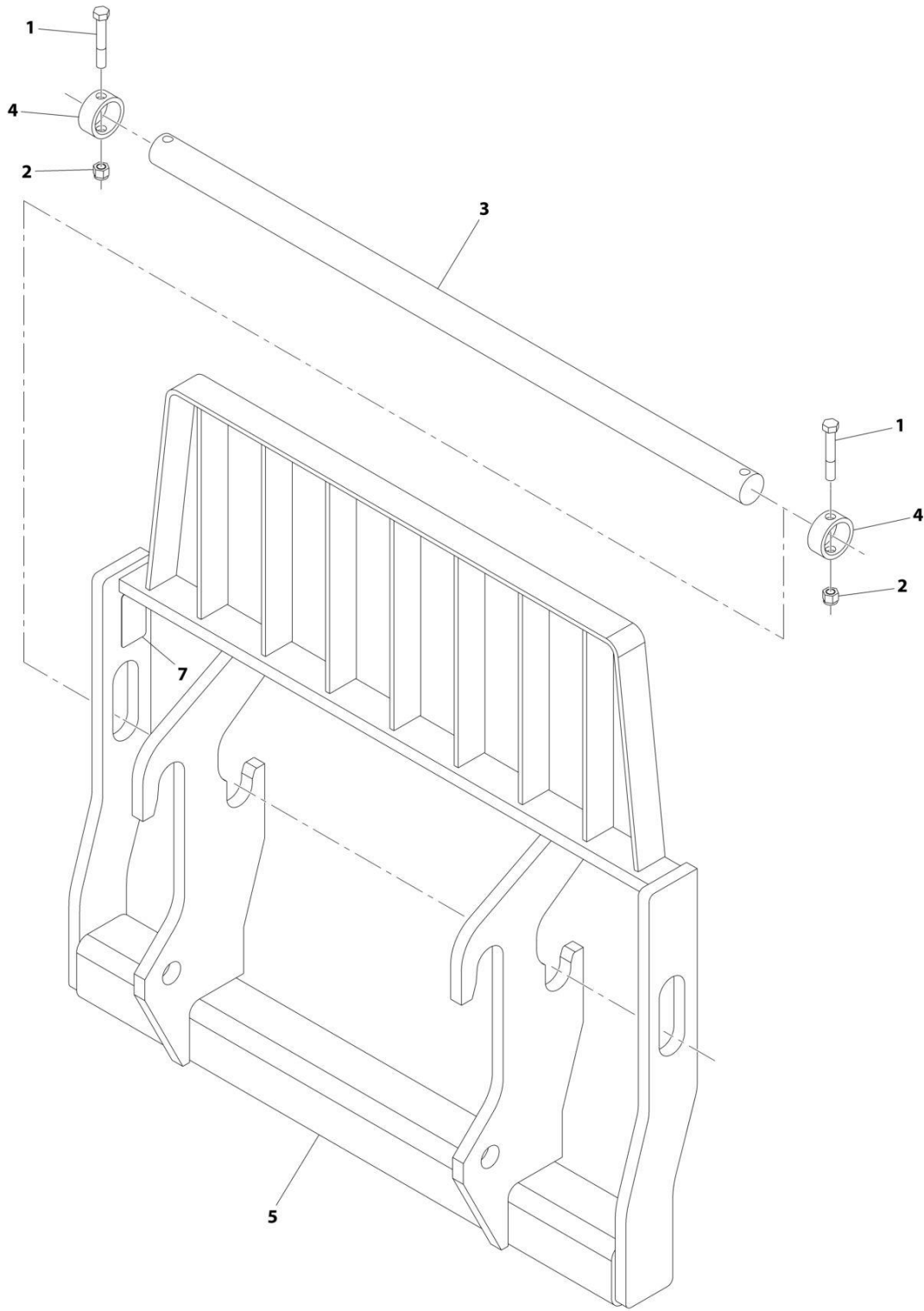
FIGURE 2-11. BOOM BRUSHES INSTALLATION

ITEM	PART NUMBER	QTY	DESCRIPTION	REV
	1001146888	Ref	Boom Brushes Installation	B
1	0700615	2	Hex HD Capscrew, M6X35, GR8.8	
2	0701015	2	Hex HD Capscrew, M10X35, GR8.8	
3	0760607	4	Hex HD Capscrew, M6X14, GR8.8	
4	0760608	2	Hex HD Capscrew, M6X16, GR8.8	
5	0761016	4	Hex HD Capscrew, M10X40, GR8.	
6	3290601	8	Hex Nut, M6X1	
7	4811700	18	Washer, M6	
8	4812000	6	Washer, M10	
9	1001095650	AR	Compound, Locking	
10	1001146830	1	Brush Seal, Boom Top	
11	1001146831	1	Brush Seal, Boom Bottom	
12	1001146832	2	Brush Seal, Boom Side	
13	1001146887	1	Stiffener Bar	
14	1001153277	4	Side Boom Brush Plate	

SECTION 3 - ATTACHMENTS

SECTION 3 - ATTACHMENTS

FIGURE 3-1. CARRIAGE ASSEMBLY, (50INCH/1270MM)



ART_1001104435-E

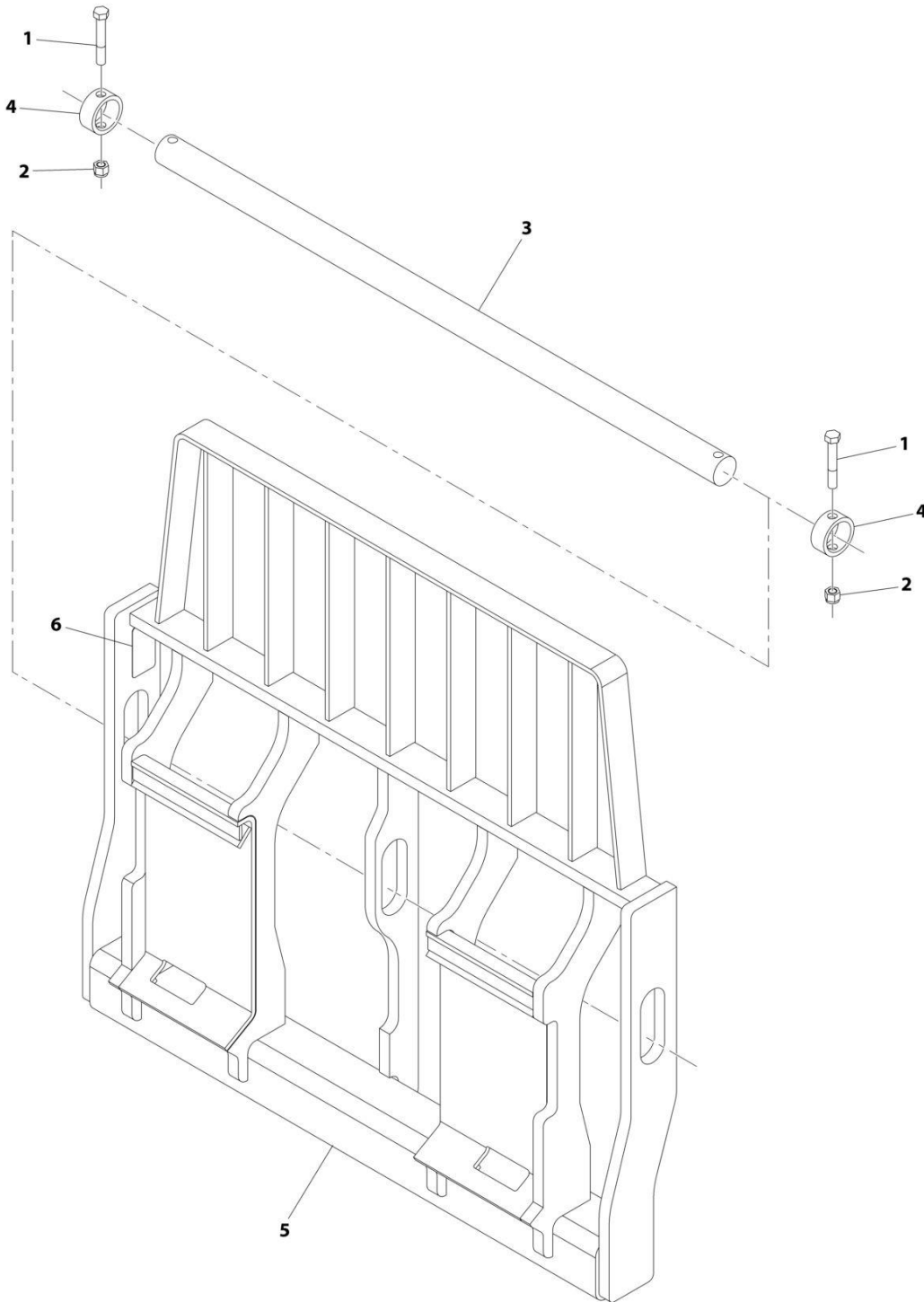
SECTION 3 - ATTACHMENTS

FIGURE 3-1. CARRIAGE ASSEMBLY, (50INCH/1270MM)

ITEM	PART NUMBER	QTY	DESCRIPTION	REV
	1001104435	Ref	Carriage Assembly, (50Inch/1270mm)	E
1	0642032	2	Hex HD Capscrew, 5/8-11X4	
2	3300240	2	Locknut, 5/8-11	
3	3423275	1	Fork Pin	
4	90200003	2	Collar	
5	N.S.S.	1	Carriage Weldment	
7	N.S.S.	1	S/N Plate	

SECTION 3 - ATTACHMENTS

FIGURE 3-2. CARRIAGE ASSEMBLY, UNIVERSAL QUICK ATTACH, (48IN/1219.2MM)



ART_1001113038-D

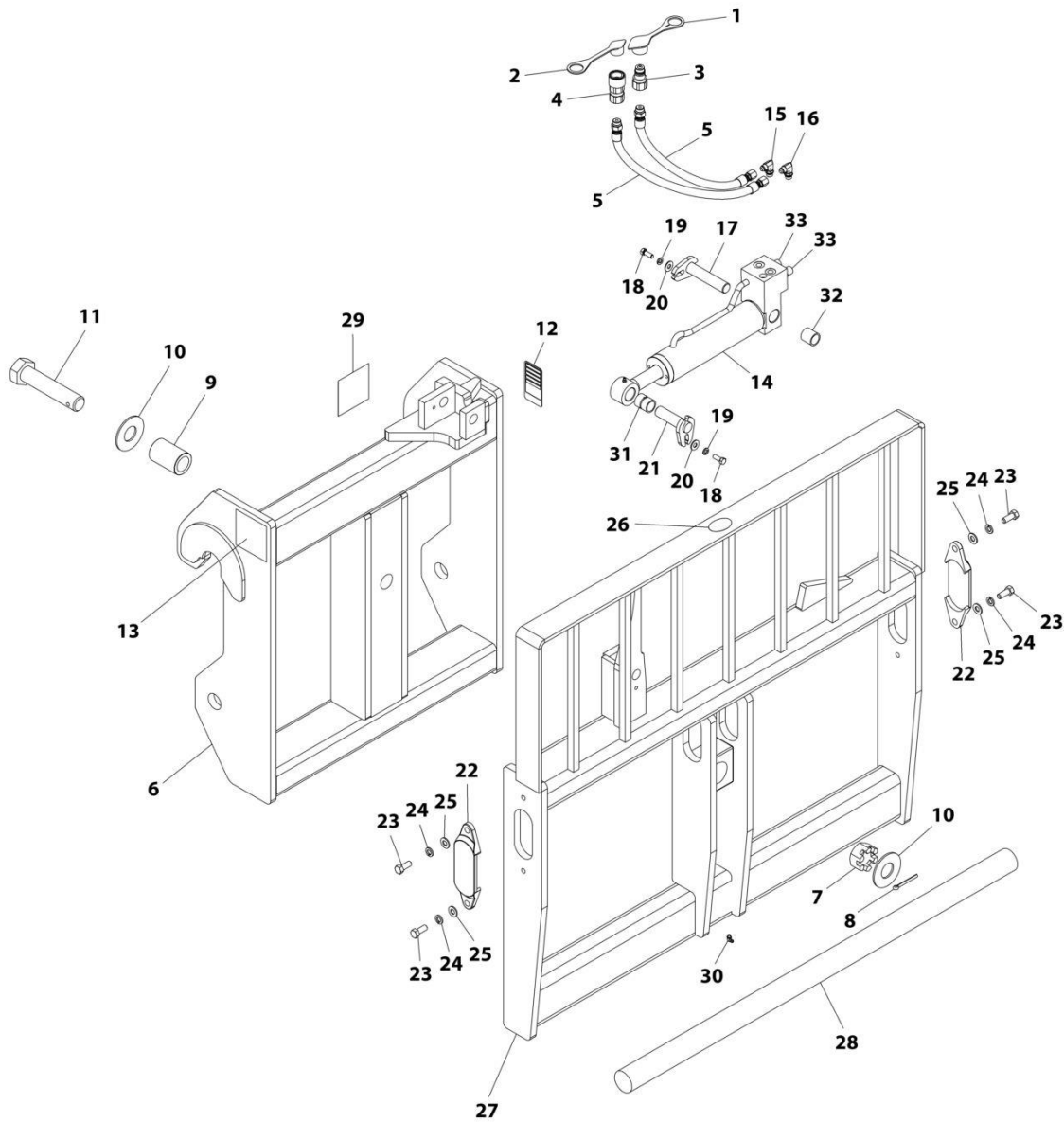
SECTION 3 - ATTACHMENTS

FIGURE 3-2. CARRIAGE ASSEMBLY, UNIVERSAL QUICK ATTACH, (48IN/1219.2MM)

ITEM	PART NUMBER	QTY	DESCRIPTION	REV
	1001113038	Ref	Carriage Assembly, Universal Quick Attach, (48Inch/1219.2mm)	D
1	0642032	2	Hex HD Capscrew, 5/8-11X4, GR5	
2	3300240	2	Locknut, 5/8-11	
3	3423275	1	Fork Pin	
4	90200003	2	Collar	
5	N.S.S.	1	Carriage Weldment	
6	N.S.S.	1	S/N Plate	

SECTION 3 - ATTACHMENTS

FIGURE 3-3. CARRIAGE, SIDE TILT, (48IN)



ART_1001102331-G

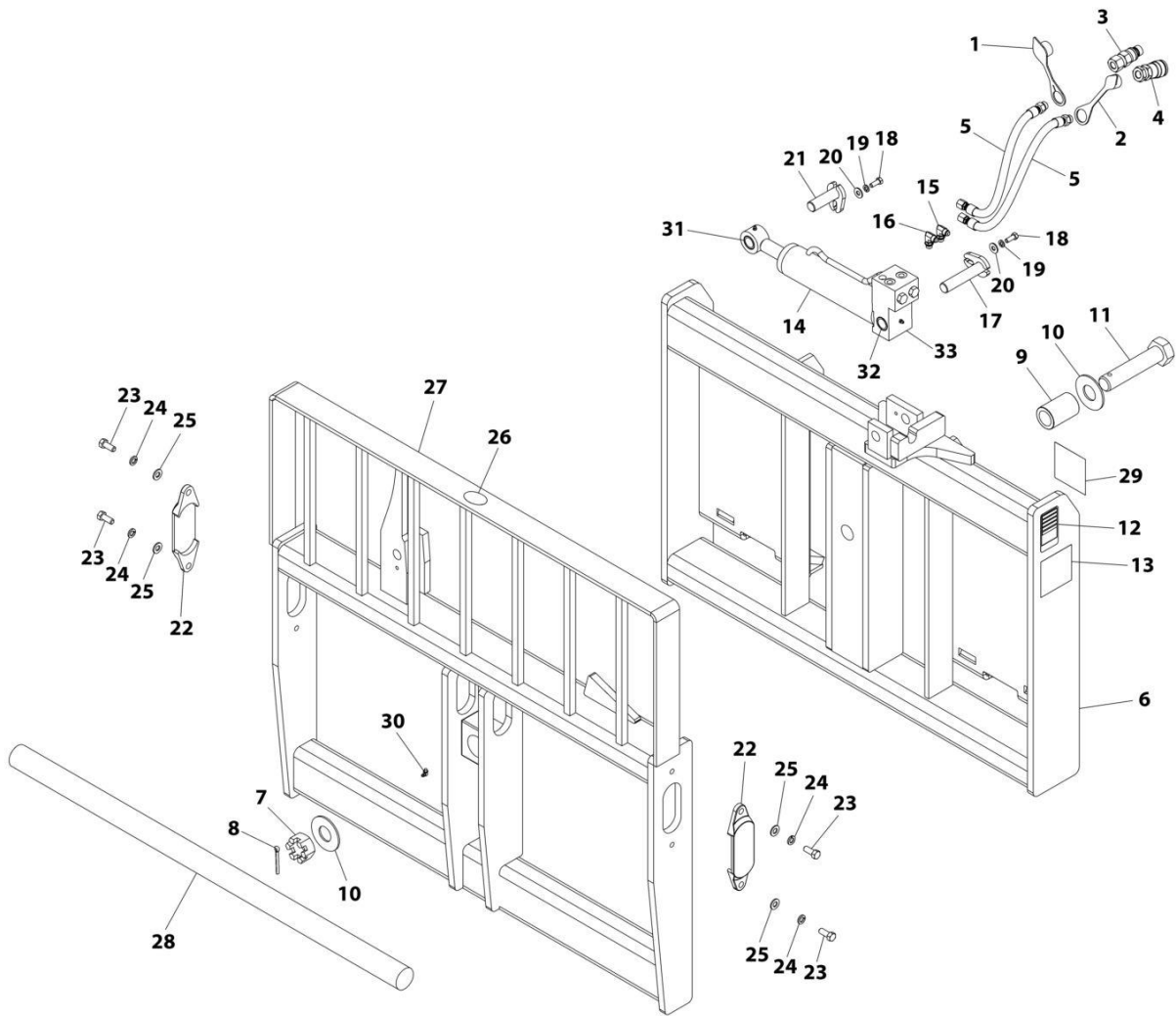
SECTION 3 - ATTACHMENTS

FIGURE 3-3. CARRIAGE, SIDE TILT, (48IN)

ITEM	PART NUMBER	QTY	DESCRIPTION	REV
	1001102331	Ref	Carriage, Side Tilt (48in)	G
1	1001003475	1	Dust Cap, Male	
2	1001003474	1	Plug, Dust, Female	
3	7029692	1	Hydraulic Couplier, Male	
4	70021342	1	Hydraulic Couplier, Female	
5	70021343	2	Hose	
6	N.S.S.	1	Rear Frame Weldment	
7	7029713	1	Nut	
8	7029700	1	Pin, Cotter	
9	70021345	1	Spacer	
10	70021346	2	Washer	
11	70021347	1	Bolt	
12	N.S.S.	1	Serial Tag	
13	90554017	1	Decal	
14	70021363	1	Cylinder Assembly (See Separate Breakdown in HYDRAULIC COMPONENTS Section)	
15	90554065	1	Hydraulic Fitting	
16	7029705	1	Hydraulic Fitting	
17	70021348	1	Pin	
18	70021349	2	Bolt	
19	90554042	2	Washer, Lock	
20	70021350	2	Washer	
21	70021351	1	Pin	
22	7029690	2	Fork Pin Retainer	
23	7029691	4	Bolt	
24	90554020	4	Washer, Lock	
25	70021338	4	Washer	
26	90554016	1	Decal	
27	N.S.S.	1	Front Frame	
28	70022105	1	Fork Pin	
29	7029711	1	Decal	
30	70022106	1	Zerk, Grease	
31	70021447	1	Bushing	
32	70021448	2	Bushing	
33	70021464	2	Valve	

SECTION 3 - ATTACHMENTS

FIGURE 3-4. CARRIAGE, SIDE TILT, UNIVERSAL QUICK ATTACH, (48IN)



ART_1001104009-G

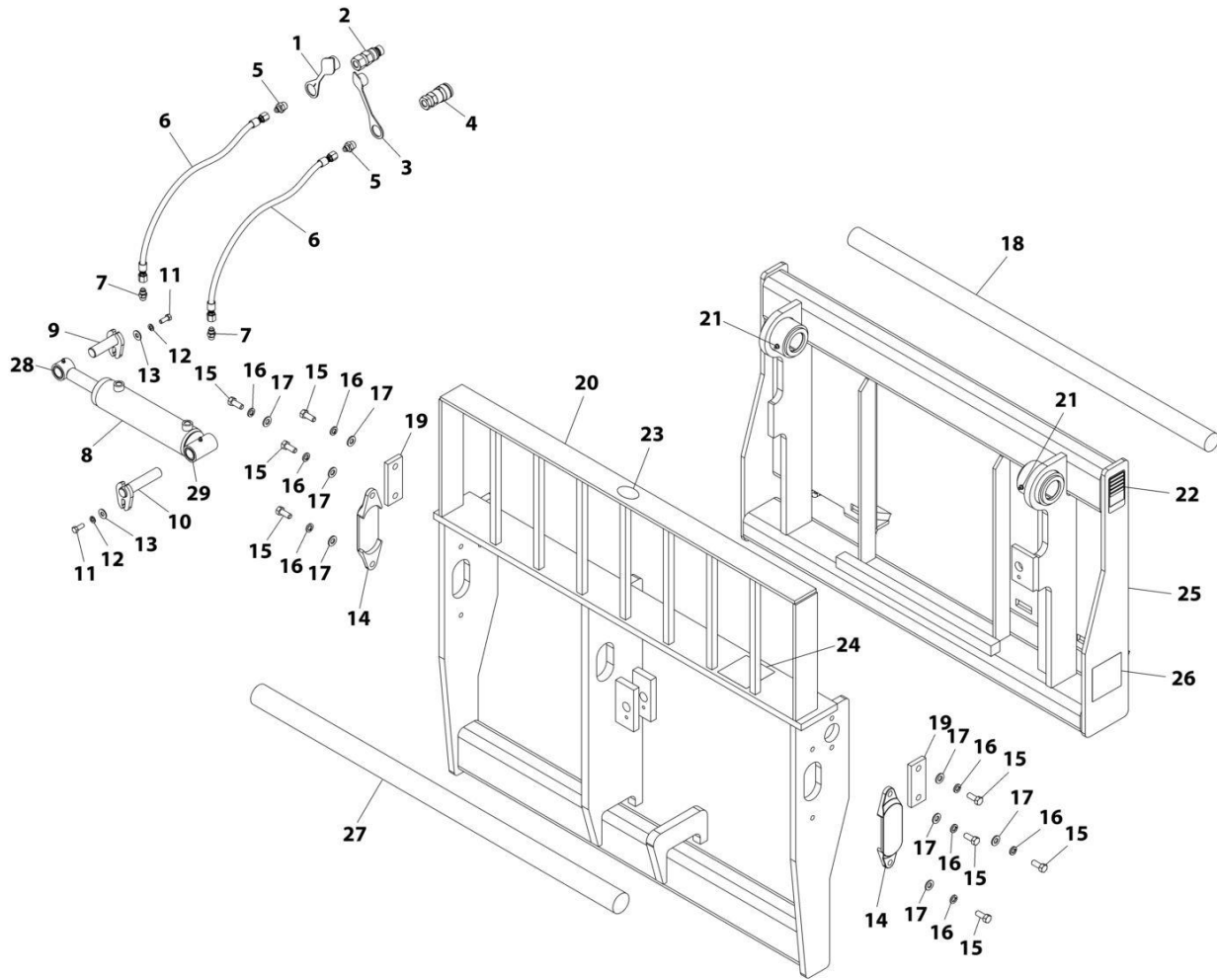
SECTION 3 - ATTACHMENTS

FIGURE 3-4. CARRIAGE, SIDE TILT, UNIVERSAL QUICK ATTACH, (48IN)

ITEM	PART NUMBER	QTY	DESCRIPTION	REV
	1001104009	Ref	Carriage, Side Tilt, Universal Quick Attach (48in)	G
1	70022097	1	Dust Cap, Male	
2	70022102	1	Plug, Dust, Female	
3	70022103	1	Hydraulic Couplier, Male	
4	70022104	1	Hydraulic Couplier, Female	
5	70021343	2	Hose	
6	N.S.S.	1	Rear Frame Weldment	
7	7029713	1	Nut	
8	7029700	1	Pin, Cotter	
9	70021345	1	Spacer	
10	70021346	2	Washer	
11	70021347	1	Bolt	
12	N.S.S.	1	Serial Tag	
13	90554017	1	Decal	
14	70021363	1	Cylinder Assembly (See Separate Breakdown in HYDRAULIC COMPONENTS Section)	
15	90554065	1	Hydraulic Fitting	
16	7029705	1	Hydraulic Fitting	
17	70021348	1	Pin	
18	70021349	2	Bolt	
19	90554042	2	Washer, Lock	
20	70021350	2	Washer	
21	70021351	1	Pin	
22	7029690	2	Fork Pin Retainer	
23	7029691	4	Bolt	
24	90554020	4	Washer, Lock	
25	70021338	4	Washer	
26	90554016	1	Decal	
27	N.S.S.	1	Front Frame	
28	70022105	1	Fork Pin	
29	7029711	1	Decal	
30	70022106	1	Zerk, Grease	
31	70021447	1	Bushing	
32	70021448	2	Bushing	
33	70021464	2	Valve	

SECTION 3 - ATTACHMENTS

FIGURE 3-5. CARRIAGE, SIDE SHIFT, UNIVERSAL QUICK ATTACH, (48IN)



ART_1001104025-G

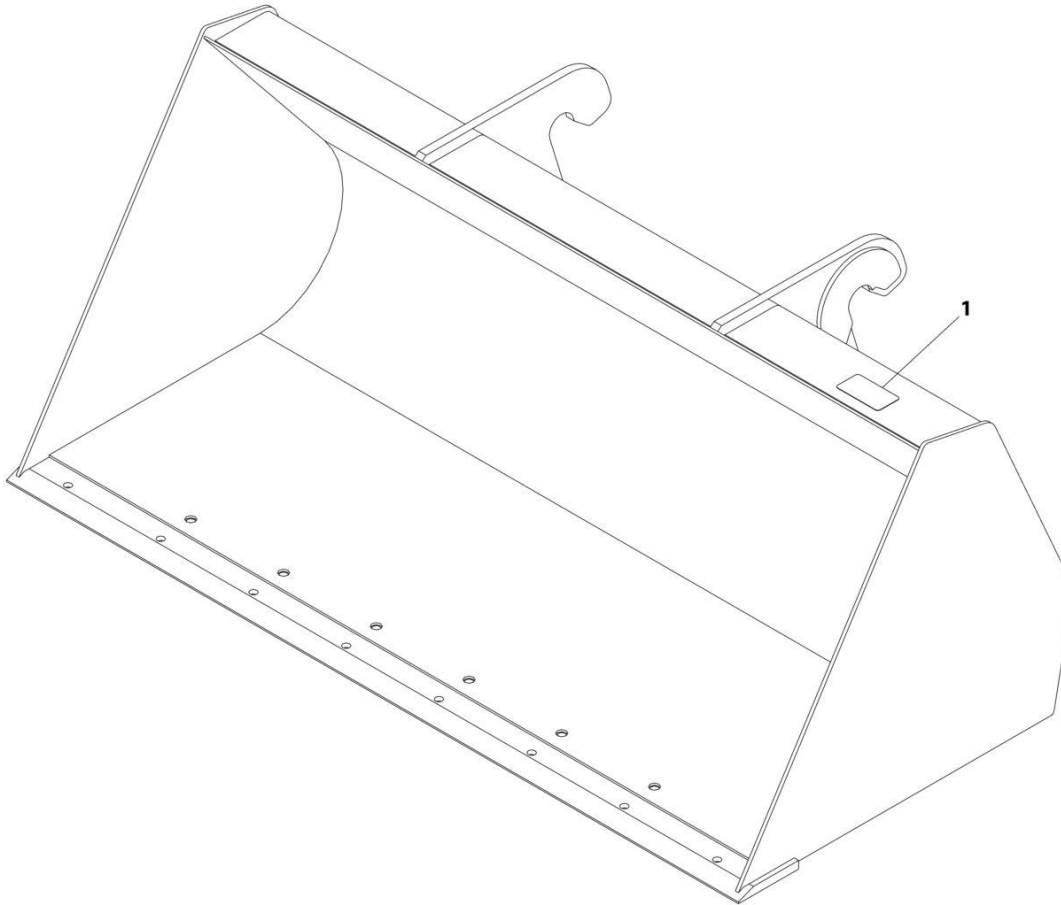
SECTION 3 - ATTACHMENTS

FIGURE 3-5. CARRIAGE, SIDE SHIFT, UNIVERSAL QUICK ATTACH, (48IN)

ITEM	PART NUMBER	QTY	DESCRIPTION	REV
	1001104025	Ref	Carriage, Side Shift, Universal Quick Attach (48in)	G
1	70022097	1	Dust Cap, Male	
2	70022103	1	Hydraulic Couplier, Male	
3	70022102	1	Plug, Dust, Female	
4	70022104	1	Hydraulic Couplier, Female	
5	70021397	2	Hydraulic Fitting	
6	70022107	2	Hose	
7	70021415	2	Hydraulic Fitting	
8	70022108	1	Cylinder Assembly (See Separate Breakdown in HYDRAULIC COMPONENTS Section)	
9	70021351	1	Pin	
10	70022110	1	Pin	
11	70021349	2	Bolt	
12	90554042	2	Washer, Lock	
13	70021350	2	Washer	
14	7029690	2	Fork Pin Retainer	
15	70027989	8	Bolt	
16	90554020	8	Washer, Lock	
17	70021338	4	Washer	
18	70022111	1	Fork Pin	
19	70022112	2	Pin Retainer Bar	
20	N.S.S.	1	Front Frame	
21	7029714	2	Zerk, Grease	
22	N.S.S.	1	Serial Tag	
23	70050641	1	Decal	
24	7029711	1	Decal	
25	N.S.S.	1	Rear Frame	
26	90554017	2	Decal	
27	70022105	1	Fork Pin	
28	70021447	1	Bushing	
29	70021448	2	Bushing	

SECTION 3 - ATTACHMENTS

FIGURE 3-6. LIGHT MATERIAL BUCKET, (72INCH) (1.0 YD³/0.76 M³)



ART_1001102324-F

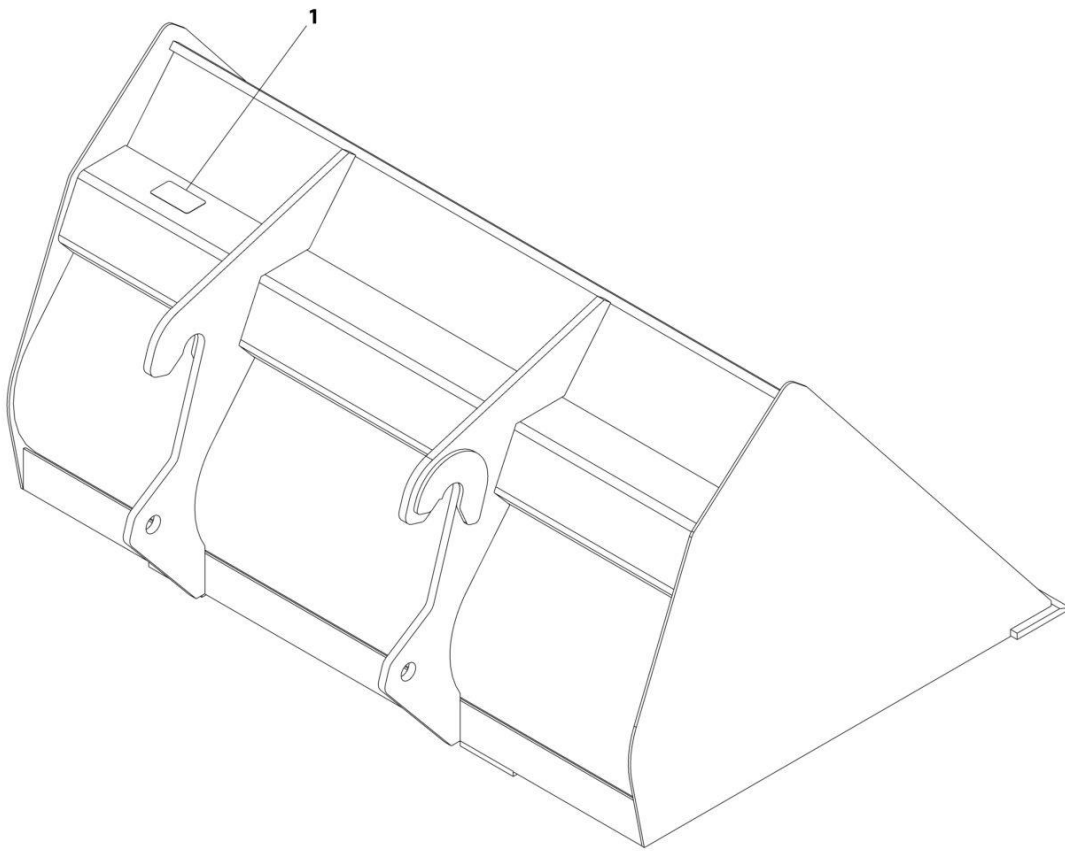
SECTION 3 - ATTACHMENTS

FIGURE 3-6. LIGHT MATERIAL BUCKET, (72INCH) (1.0 YD³/0.76 M³)

ITEM	PART NUMBER	QTY	DESCRIPTION	REV
	1001102324	Ref	Light Material Bucket (72Inch) (1.0 yd ³ /0.76 m ³)	F
	N.S.S.	1	S/N Plate	

SECTION 3 - ATTACHMENTS

FIGURE 3-7. LIGHT MATERIAL BUCKET, (72INCH) (1.7 YD³/1.29 M³)



ART_1001102323-F

SECTION 3 - ATTACHMENTS

FIGURE 3-7. LIGHT MATERIAL BUCKET, (72INCH) (1.7 YD³/1.29 M³)

ITEM	PART NUMBER	QTY	DESCRIPTION	REV
1	1001102323 N.S.S.	Ref 1	Light Material Bucket (72Inch) (1.7 yd ³ /1.29 m ³) S/N Plate	F

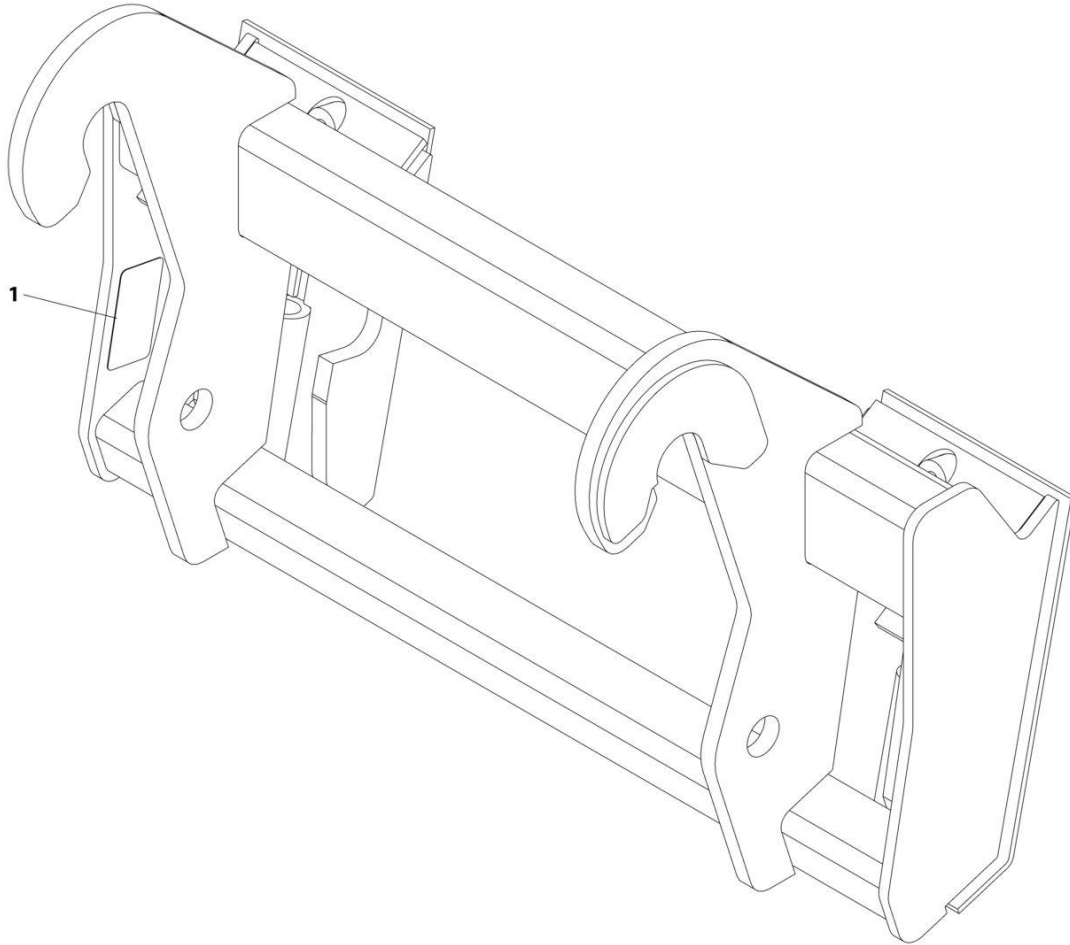
SECTION 3 - ATTACHMENTS

FIGURE 3-8. MULTI-PURPOSE GRAPPLE BUCKET (1850MM) (ANSI - JLG)

ITEM	PART NUMBER	QTY	DESCRIPTION	REV
	1001102327	1	Multi-Purpose Grapple Bucket (1850mm) (ANSI - JLG)	E
101	70021399	4	Screw	
102	70021366	4	Screw	
103	70021367	8	Nut	
104	70020562	2	Fitting, Tee	
105	90554065	4	Fitting, 90	
106	7029714	4	Fitting, Grease	
107	70021364	2	Pin	
108	70021361	2	Pin	
109	70021365	2	Pin	
110	70021362	2	Pin	
111	70021360	4	Bushing	
112	70021359	2	Spacer	
113	70021358	4	Bushing	
114	7029692	1	Fitting, Straight	
115	70021342	1	Fitting, Straight	
116	70021356	1	Grapple Hook, RH	
117	70021357	1	Grapple Hook, LH	
118	70020560	1	Hose	
119	70021368	2	Hose	
120	70021370	1	Hose	
121	70021369	2	Hose	
122	90554017	2	Decal, Pinch Point	
123	7029711	1	Decal, High Pressure	
124	90554062	1	Cap, Dust	
125	90554076	1	Plug, Dust	
126	70021387	4	Clamp (not shown)	
127	70021363	2	Cylinder, Multi-Purpose Grapple Bucket (1850mm) (See Separate Breakdown in Hydraulic Components Section)	
128	N.S.S.	1	Bucket, Grapple	
129	N.S.S.	1	Plate, Serial Number	

SECTION 3 - ATTACHMENTS

FIGURE 3-9. UNIVERSAL HITCH ATTACHMENT



ART_1001102332-E

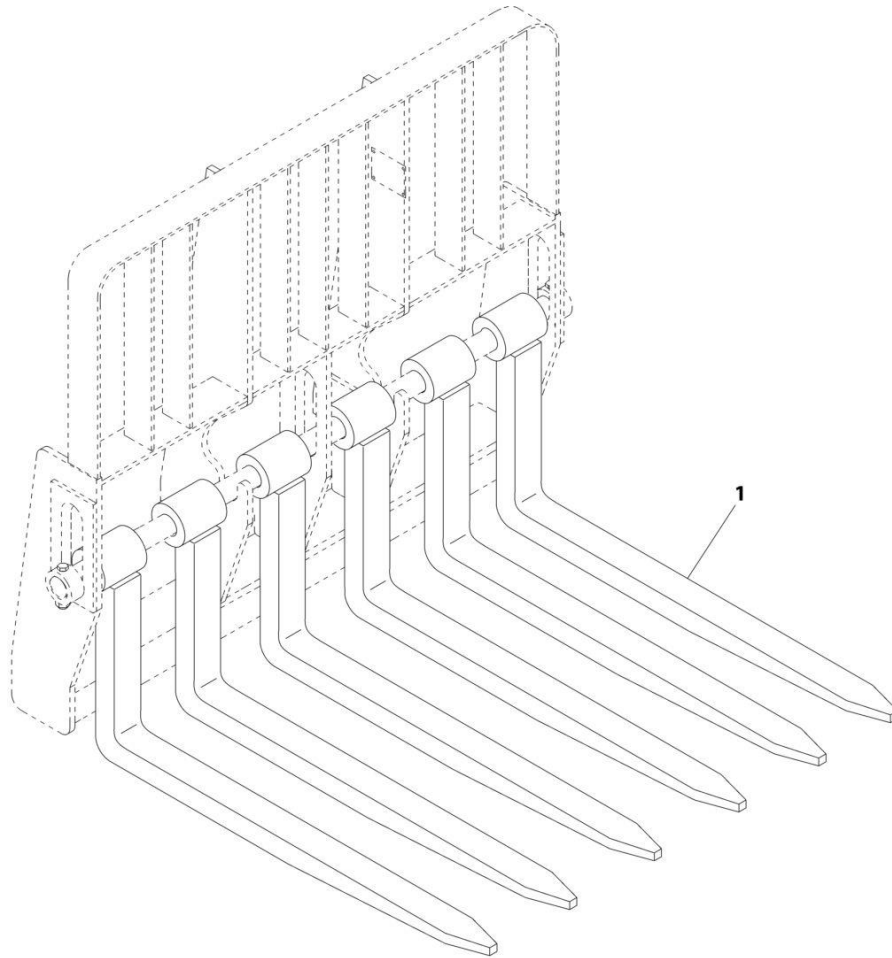
SECTION 3 - ATTACHMENTS

FIGURE 3-9. UNIVERSAL HITCH ATTACHMENT

ITEM	PART NUMBER	QTY	DESCRIPTION	REV
1	1001102332 N.S.S.	Ref 1	Universal Hitch Attachment S/N Plate	E

SECTION 3 - ATTACHMENTS

FIGURE 3-10. BLOCKING FORK (50X50X1220)



ART_2340037

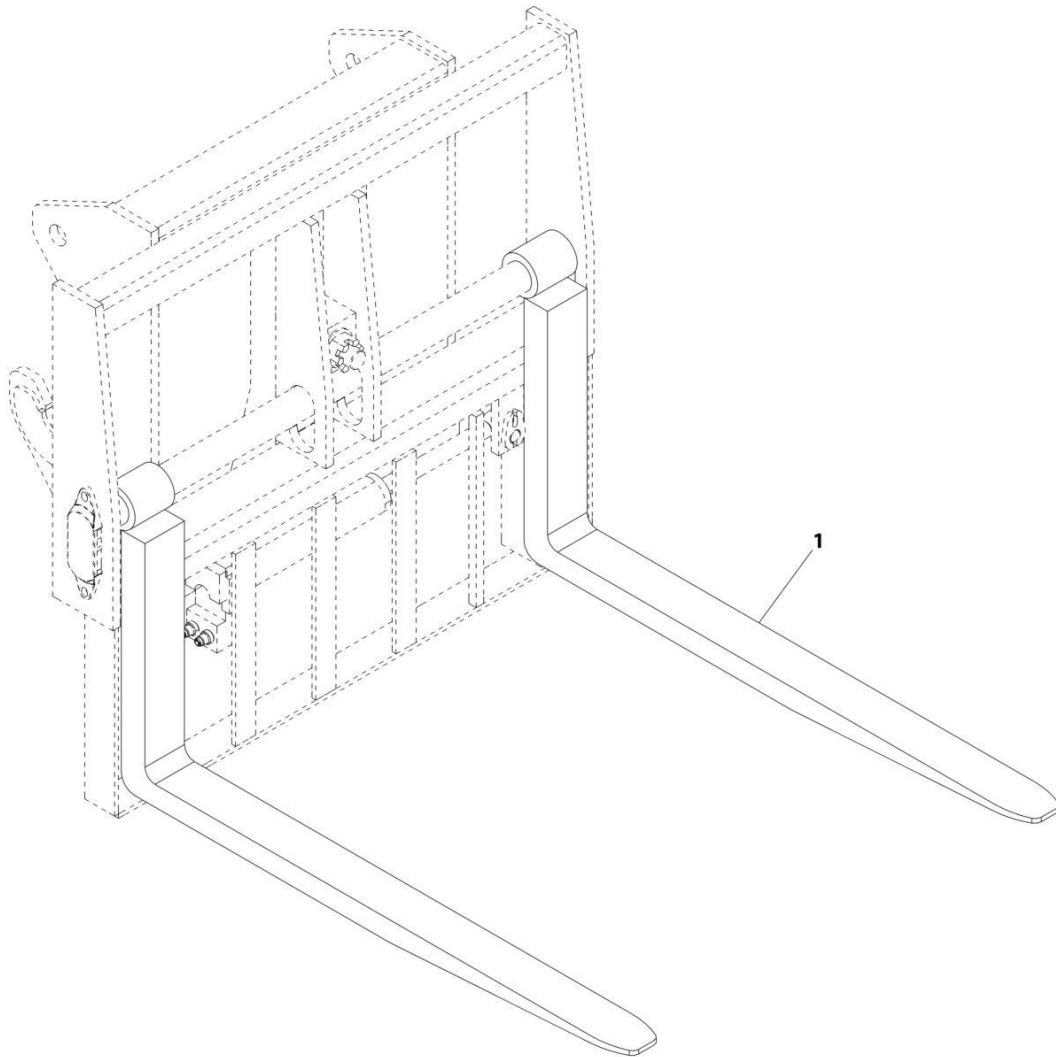
SECTION 3 - ATTACHMENTS

FIGURE 3-10. BLOCKING FORK (50X50X1220)

ITEM	PART NUMBER	QTY	DESCRIPTION	REV
1	2340037	1	Cubing Fork (2.00X2X48)	A
	Note	Ref	FORKS RATED LESS THAN THE ATTACHMENT OR MACHINE'S CAPACITY DECREASES CAPACITY OF THE ATTACHMENT OR MACHINE TO THAT OF THE FORKS. FORKS RATED MORE THAN THE ATTACHMENT OR MACHINE'S CAPACITY DO NOT INCREASE ATTACHMENT OR MACHINE'S CAPACITY.	
	Note	Ref	PLEASE CONSULT JLG PARTS DEPARTMENT TO DETERMINE THE CORRECT FORKS APPLICABLE TO YOUR SPECIFIC CARRIAGE ASSEMBLY AND APPLICATION.	

SECTION 3 - ATTACHMENTS

FIGURE 3-11. PALLET FORK (2X4X48)



ART_1001099458-C

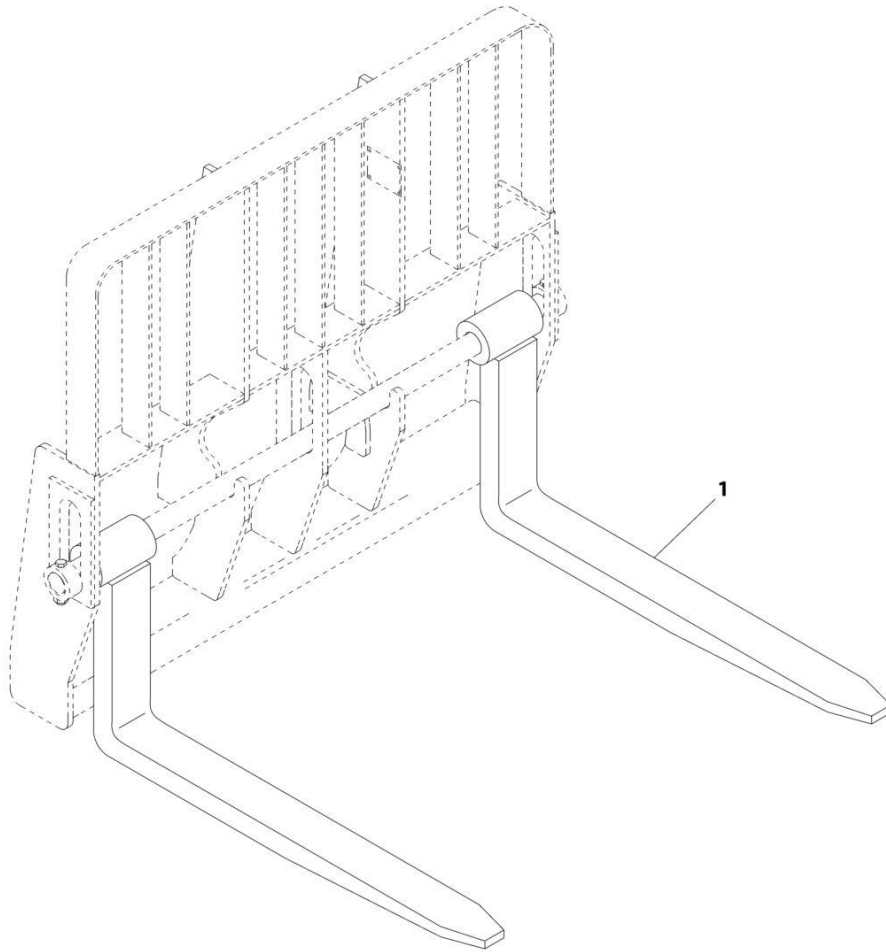
SECTION 3 - ATTACHMENTS

FIGURE 3-11. PALLET FORK (2X4X48)

ITEM	PART NUMBER	QTY	DESCRIPTION	REV
1	1001099458	Ref	Pallet Fork (2X4X48)	C
	Note	Ref	FORKS RATED LESS THAN THE ATTACHMENT OR MACHINE'S CAPACITY DECREASES CAPACITY OF THE ATTACHMENT OR MACHINE TO THAT OF THE FORKS. FORKS RATED MORE THAN THE ATTACHMENT OR MACHINE'S CAPACITY DO NOT INCREASE ATTACHMENT OR MACHINE'S CAPACITY.	
	Note	Ref	PLEASE CONSULT JLG PARTS DEPARTMENT TO DETERMINE THE CORRECT FORKS APPLICABLE TO YOUR SPECIFIC CARRIAGE ASSEMBLY AND APPLICATION.	

SECTION 3 - ATTACHMENTS

FIGURE 3-12. LUMBER FORK (40X150X1540)



ART_1001099457-C

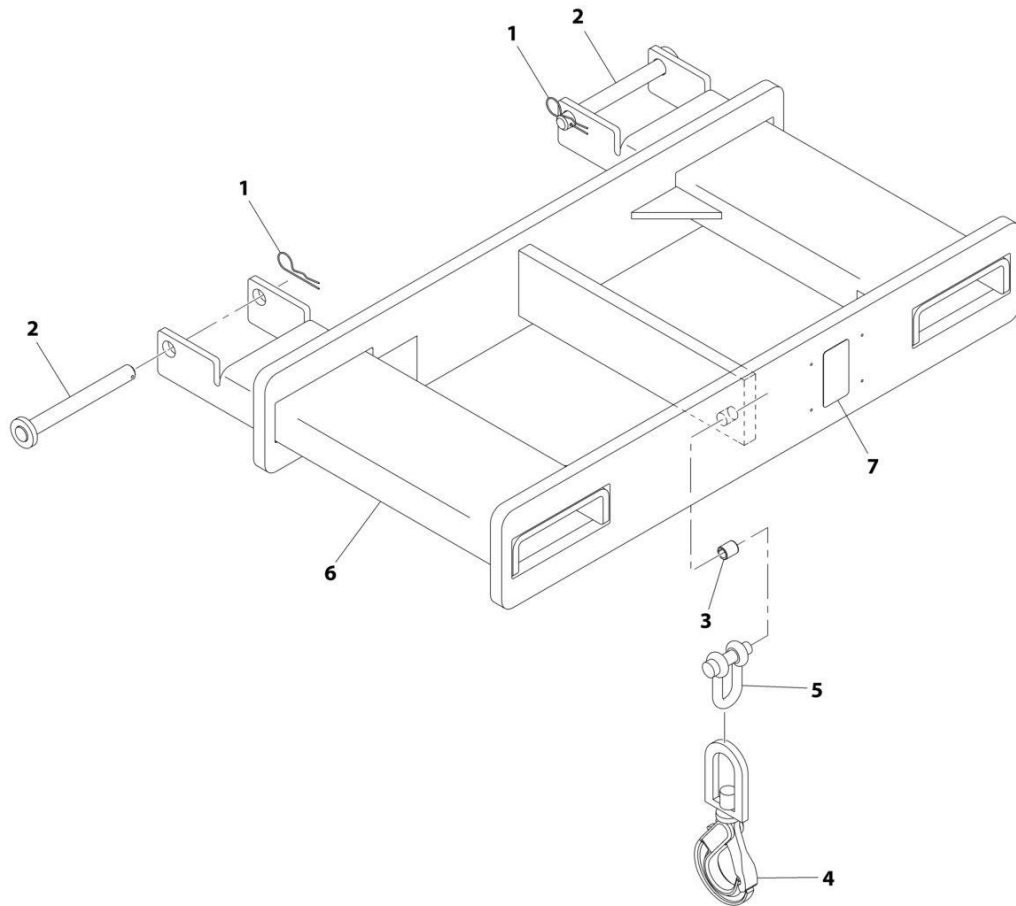
SECTION 3 - ATTACHMENTS

FIGURE 3-12. LUMBER FORK (40X150X1540)

ITEM	PART NUMBER	QTY	DESCRIPTION	REV
1	1001099457	2	Lumber Fork (1.5X6X60)	C
	Note	Ref	FORKS RATED LESS THAN THE ATTACHMENT OR MACHINE'S CAPACITY DECREASES CAPACITY OF THE ATTACHMENT OR MACHINE TO THAT OF THE FORKS. FORKS RATED MORE THAN THE ATTACHMENT OR MACHINE'S CAPACITY DO NOT INCREASE ATTACHMENT OR MACHINE'S CAPACITY.	
	Note	Ref	PLEASE CONSULT JLG PARTS DEPARTMENT TO DETERMINE THE CORRECT FORKS APPLICABLE TO YOUR SPECIFIC CARRIAGE ASSEMBLY AND APPLICATION.	

SECTION 3 - ATTACHMENTS

FIGURE 3-13. FORK MOUNTED HOOK (4 TON)



ART_1001097205-I

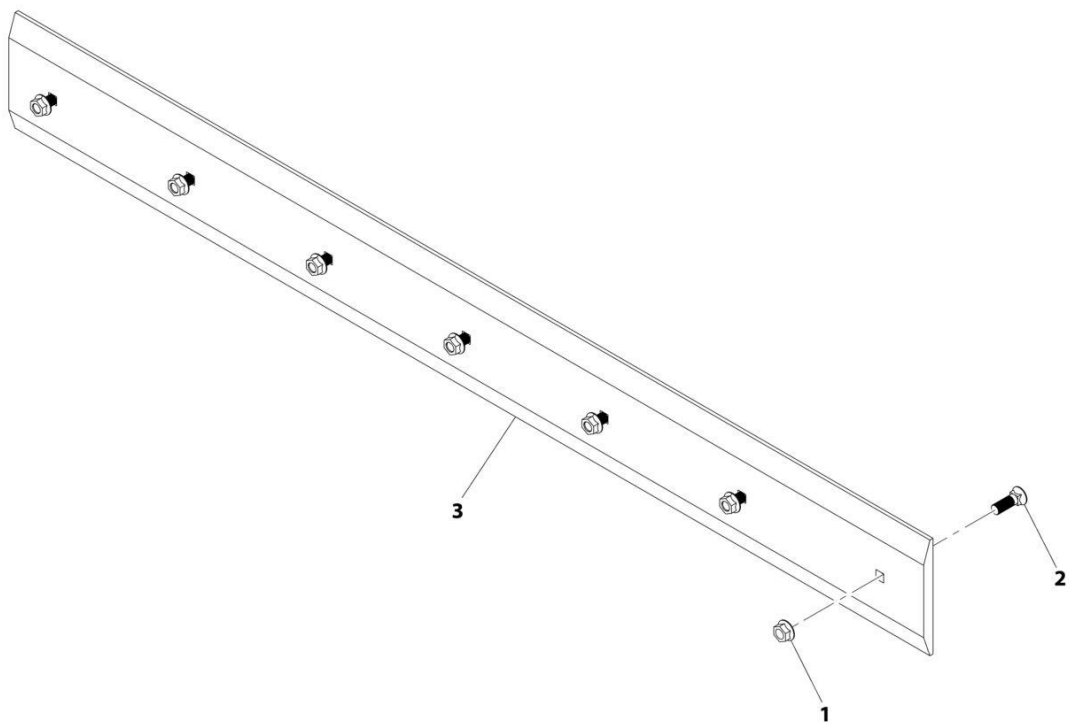
SECTION 3 - ATTACHMENTS

FIGURE 3-13. FORK MOUNTED HOOK (4 TON)

ITEM	PART NUMBER	QTY	DESCRIPTION	REV
	1001097205	Ref	Fork Mounted Hook (4 Ton)	I
1	7029520	2	Pin, Cotter	
2	1001093171	2	Pin	
3	70020555	1	Bushing	
4	90554080	1	Hook	
5	7029521	1	Shackle	
6	N.S.S.	1	Weldment, Hook	
7	N.S.S.	1	S/N Plate	

SECTION 3 - ATTACHMENTS

FIGURE 3-14. BOLT-ON EDGE ASSEMBLY, 72"



ART_1001162898 -A

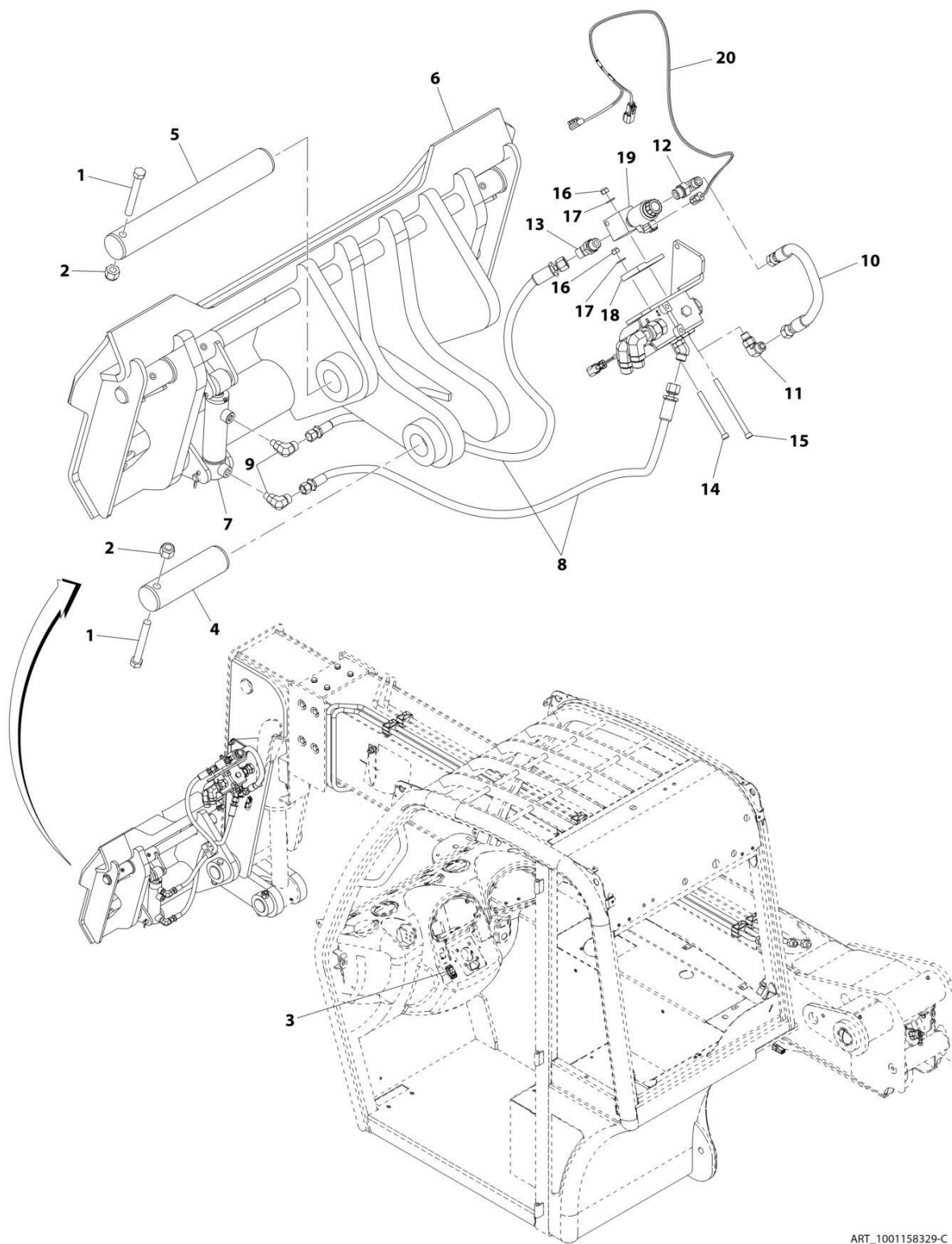
SECTION 3 - ATTACHMENTS

FIGURE 3-14. BOLT-ON EDGE ASSEMBLY, 72"

ITEM	PART NUMBER	QTY	DESCRIPTION	REV
1	1001162898	1	Bolt-On Edge Assembly, 72"	A

SECTION 3 - ATTACHMENTS

FIGURE 3-15. HYDRAULIC QUICK SWITCH INSTALLATION



ART_1001158329-C

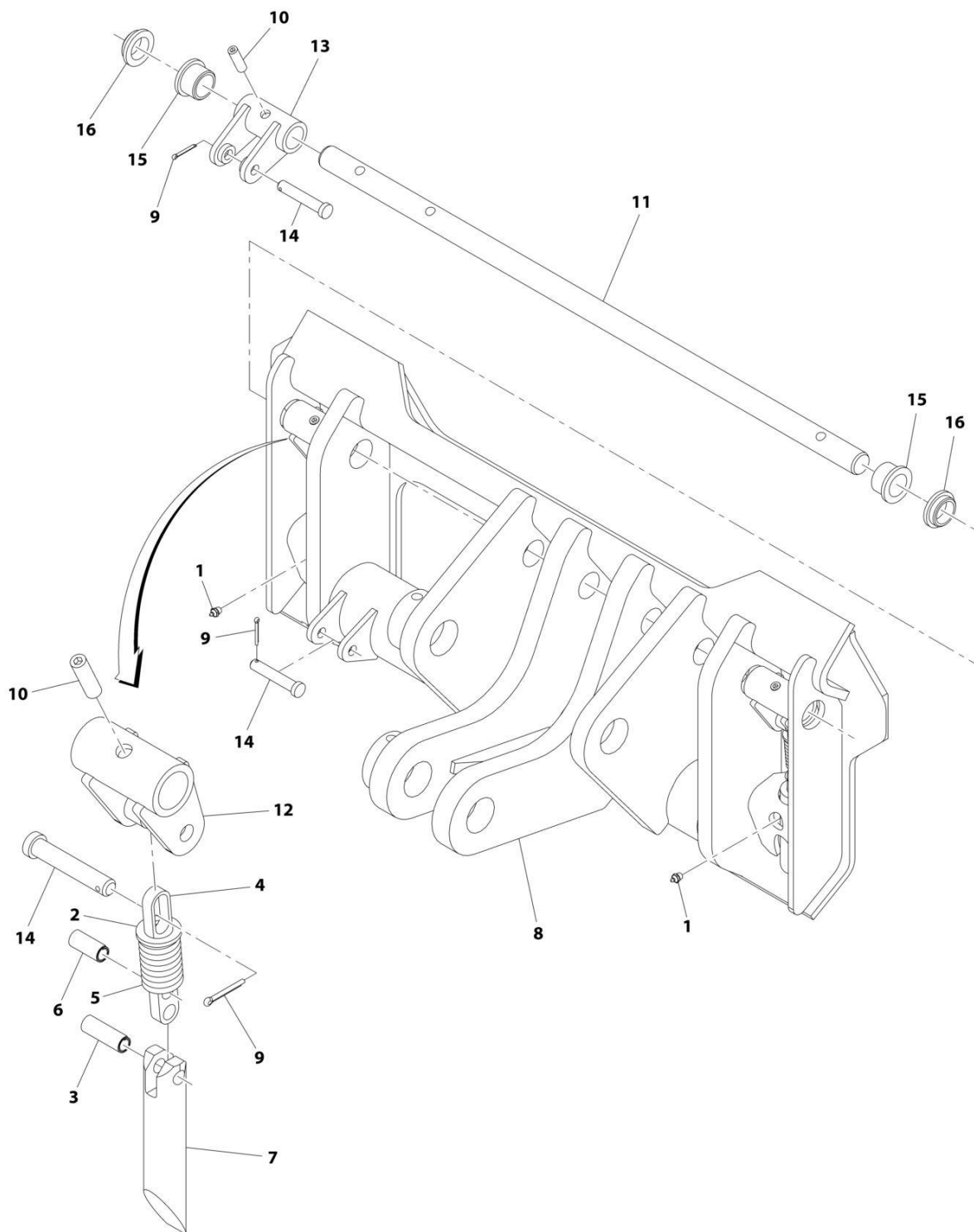
SECTION 3 - ATTACHMENTS

FIGURE 3-15. HYDRAULIC QUICK SWITCH INSTALLATION

ITEM	PART NUMBER	QTY	DESCRIPTION	REV
	1001158329	Ref	Installtion, Hydraulic Quick Switch	C
1	0641832	2	Bolt, 1/2-13X4	
2	88521208	2	Nut, Lock 1/2-13	
3	1001080375	1	Switch	
4	1001097728	1	Pin, Fork	
5	1001097729	1	Pin, Pivot	
6	1001158352	1	Assembly, Quick Switch (See Seperate Breakdown in this Section)	
7	1001160926	1	Cylinder, Fork Locking	
8	1001161759	2 in	Hose	
9	2130604	2	Fitting, 90	
10	1001137106	1	Hose	
11	2130606	1	Fitting, 90	
12	2130608	1	Fitting, 90	
13	2150608	1	Fitting	
14	3931556	1	Socket Screw, 5-16-18X3-1/2	
15	3931572	1	Socket Screw, 5-16X4.50	
16	8305626	2	Nut, Lock .312-18	
17	8307106	2	Washer, .312	
18	1001207768	1	Bracket, Valve	
19	1001207926	1	Assembly, Valve Block (See Seperate Breakdown in Hydraulic Components Section)	
20	1001209009	1	Harness, Valve Jumper (See Seperate Breakdown in Electrical Components Section)	

SECTION 3 - ATTACHMENTS

FIGURE 3-16. QUICK SWITCH ASSEMBLY



ART_1001158352-D

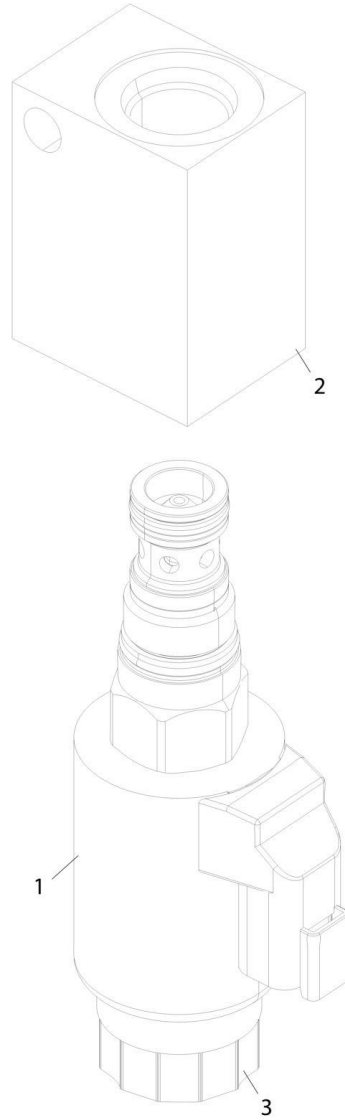
SECTION 3 - ATTACHMENTS

FIGURE 3-16. QUICK SWITCH ASSEMBLY

ITEM	PART NUMBER	QTY	DESCRIPTION	REV
	1001158352	Ref	Quick Switch Assembly	D
1	1001008479	2	Grease Fitting	
2	1001009094	2	Washer	
3	1001061633	2	Spring Pin	
4	1001178059	2	Plate, Quick Switch	
5	1001061660	2	Spring	
6	1001061662	2	Spring Pin	
7	1001061891	2	Pin	
8	N.S.S.	1	Weldment, Quick Switch	
9	3391410	4	Split Pin	
10	3951814	3	Setscrew .50-13X1.75	
11	1001158330	1	Rod, Quick Switch	
12	1001158331	2	Support, Quick Switch Link	
13	1001158336	1	Support, Quick Switch Cylinder	
14	1001161604	4	Lock Pin	
15	1001161606	2	Bushing	
16	1001161607	2	Bushing	

SECTION 3 - ATTACHMENTS

FIGURE 3-17. BLOCK VALVE ASSEMBLY



ART_1001207926-A

SECTION 3 - ATTACHMENTS

FIGURE 3-17. BLOCK VALVE ASSEMBLY

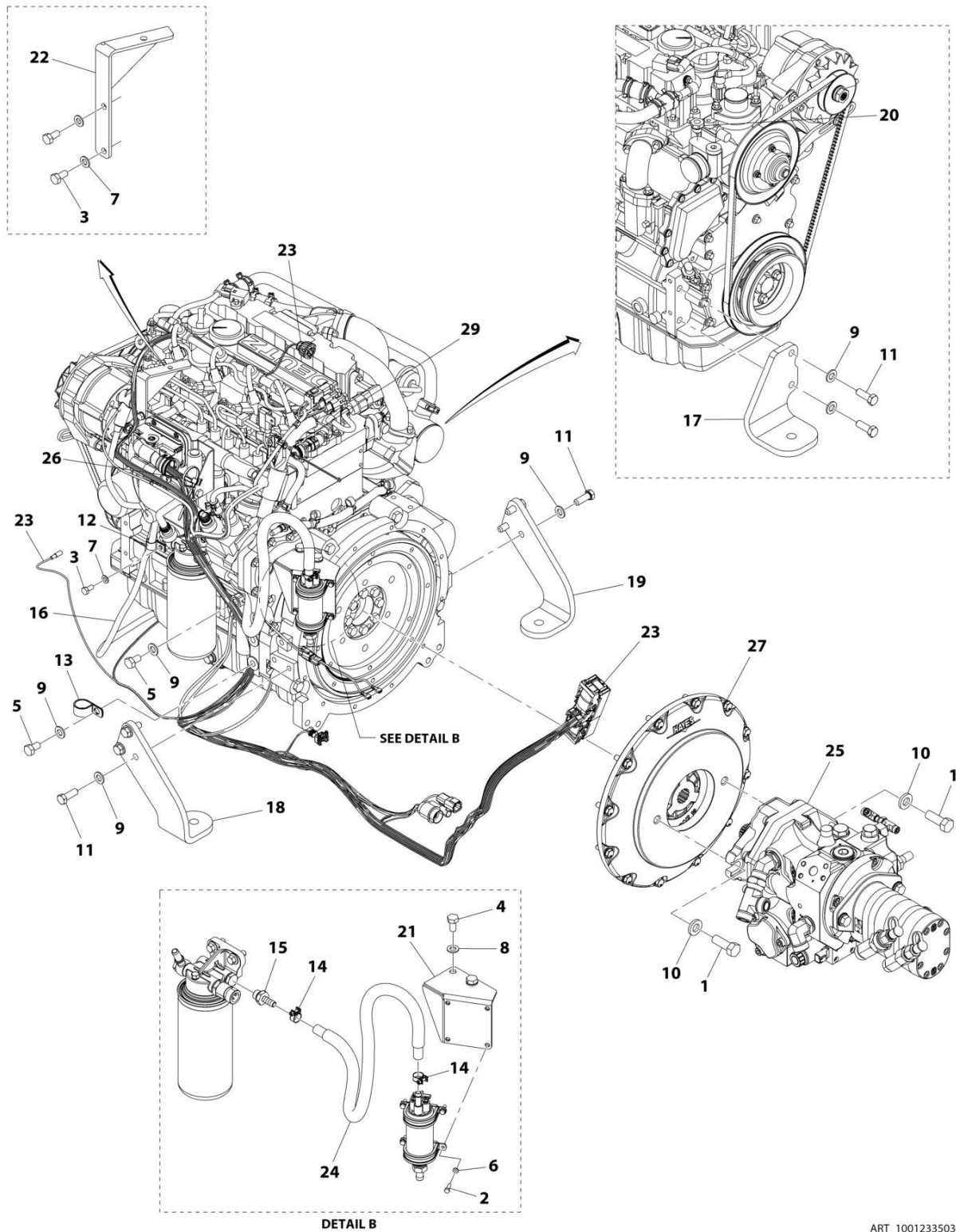
ITEM	PART NUMBER	QTY	DESCRIPTION	REV
	1001207926	Ref	Valve Block Assembly	A
1	1001207923	1	Coil	
2	1001207924	1	Manifold	
3	1001207925	1	Vale, Poppet	

SECTION 4 - ENGINE AND ATTACHING PARTS

SECTION 4 - ENGINE AND ATTACHING PARTS

SECTION 4 - ENGINE AND ATTACHING PARTS

FIGURE 4-1. ENGINE INSTALLATION



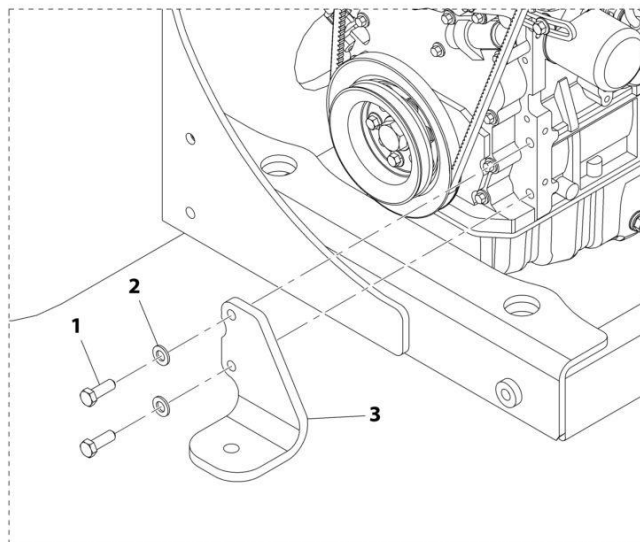
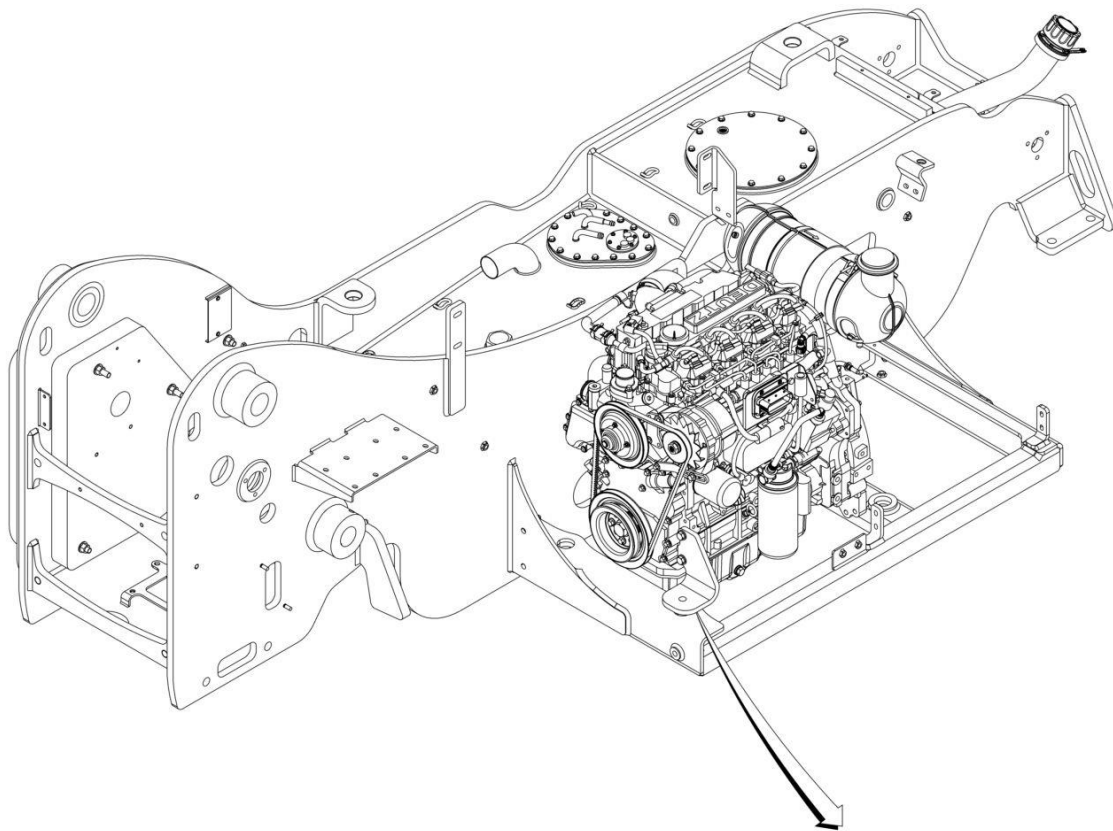
SECTION 4 - ENGINE AND ATTACHING PARTS

FIGURE 4-1. ENGINE INSTALLATION

ITEM	PART NUMBER	QTY	DESCRIPTION	REV
	1001233503	Ref	Engine Installation	C
1	0642014	2	Hex HD Capscrew, 5/8-11X1-3/4, GR5	
2	0760508	4	Hex HD Capscrew, M5X16, GR8.8	
3	0760808	3	Hex HD Capscrew, M8X16, GR8.8	
4	0761010	2	Hex HD Capscrew, M10X20, GR8.8	
5	0761210	2	Hex HD Capscrew, M12X20, GR8.8	
6	4811600	4	Washer, M5	
7	4811900	3	Washer, M8	
8	4812000	2	Washer, M10	
9	4812100	10	Washer, M12	
10	4892000	2	Washer, 5/8	
11	8310297	8	Hex HD Capscrew, M12X35, GR10.9	
12	8406112	1	Clip	
13	80673023	1	Clip	
14	1001136975	2	Fuel Hose Clamp	
15	1001141717	1	Hose Barb Fitting	
16	1001142242	1	150 AMP Link Harness	
17	1001143641	1	Engine Support	
18	1001143642	1	Engine Support	
19	1001143643	1	Engine Support	
20	1001143801	1	Plug, M16X1.5	
21	1001143839	1	Pump Bracket	
22	1001149828	1	Hose Support Plate	
23	1001156229	1	Engine Harness, (See Separate Breakdown in ELECTRICAL Section)	
24	1001165200	1	Fuel Supply Engine Hose	
25	1001190821	1	Pump, (See Separate Breakdown in this Section)	
26	1001228975	1	Clip, Tie Strap	
27	1001233451	1	Coupling Assembly	
29	1001247559	3	Rivet, Plastic	

SECTION 4 - ENGINE AND ATTACHING PARTS

FIGURE 4-2. ENGINE MOUNT INSTALLATION



ART_1001143678-C

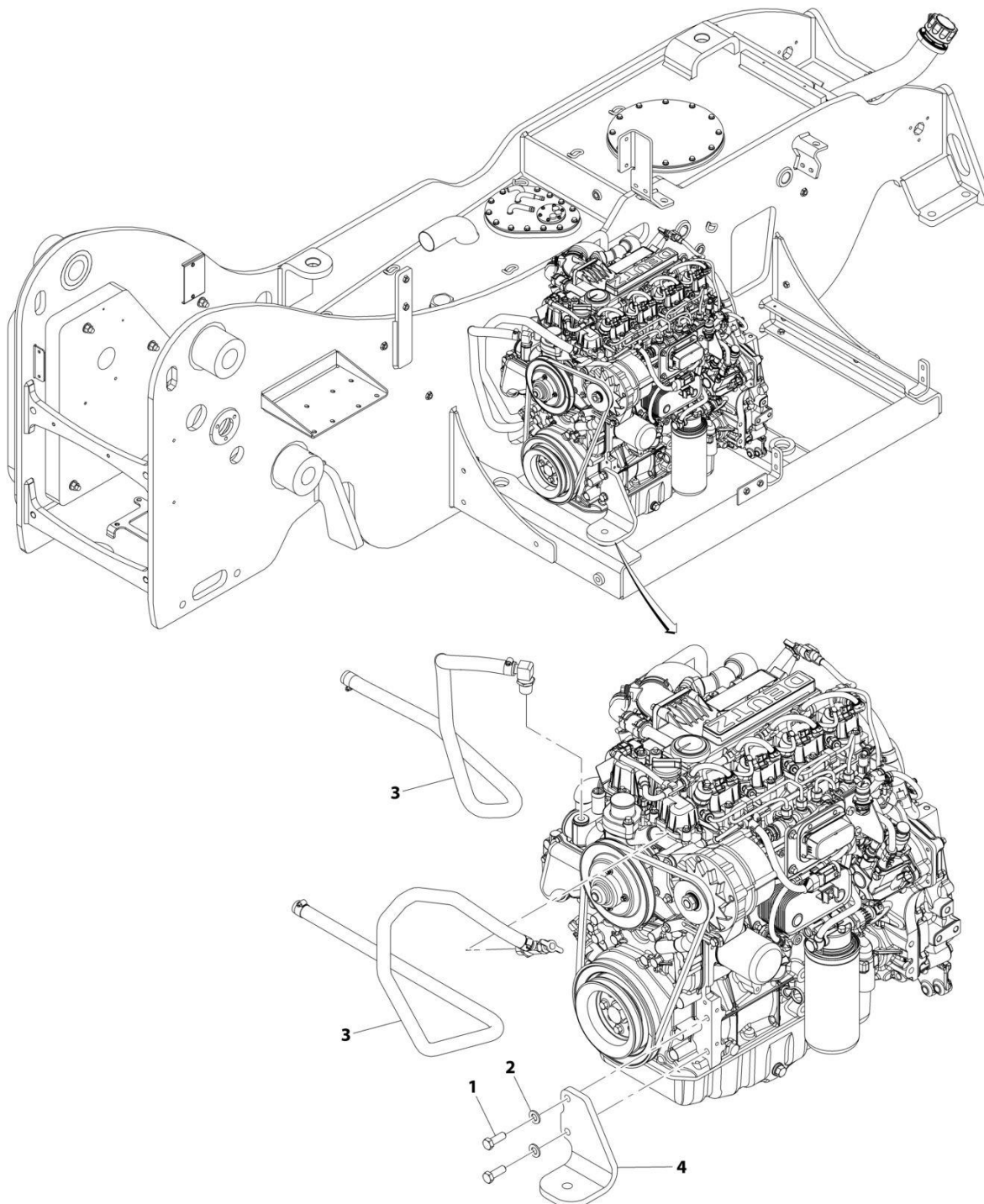
SECTION 4 - ENGINE AND ATTACHING PARTS

FIGURE 4-2. ENGINE MOUNT INSTALLATION

ITEM	PART NUMBER	QTY	DESCRIPTION	REV
	1001143678	Ref	Engine Mount Installation	C
1	8310297	2	Hex HD Capscrew, M12X35, GR10.9	
2	4812100	2	Washer, M12	
3	1001143640	1	Engine Support	

SECTION 4 - ENGINE AND ATTACHING PARTS

FIGURE 4-3. ENGINE MOUNT INSTALLATION, (HEATER)



ART_1001143677-C

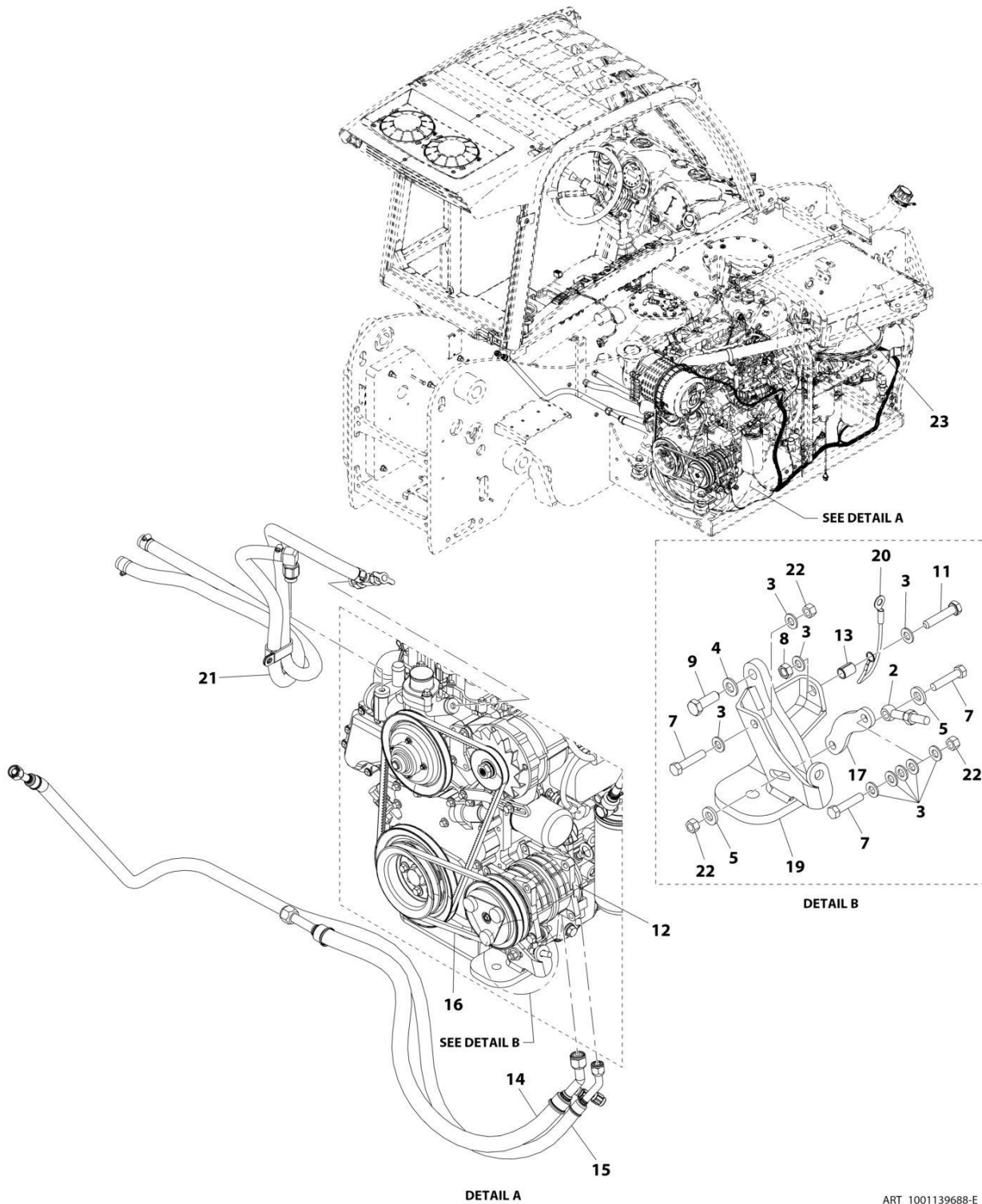
SECTION 4 - ENGINE AND ATTACHING PARTS

FIGURE 4-3. ENGINE MOUNT INSTALLATION, (HEATER)

ITEM	PART NUMBER	QTY	DESCRIPTION	REV
	1001143677	Ref	Engine Mount Installation, (Heater)	C
1	8310297	2	Hex HD Capscrew, M12X35, GR10.9	
2	4812100	2	Washer, M12	
3	1001139684	1	Heater Lines Installation (See Separate Breakdown in this Section)	
4	1001143640	1	Engine Support	

SECTION 4 - ENGINE AND ATTACHING PARTS

FIGURE 4-4. ENGINE MOUNT INSTALLATION, (HEATER & A/C)



ART_1001139688-E

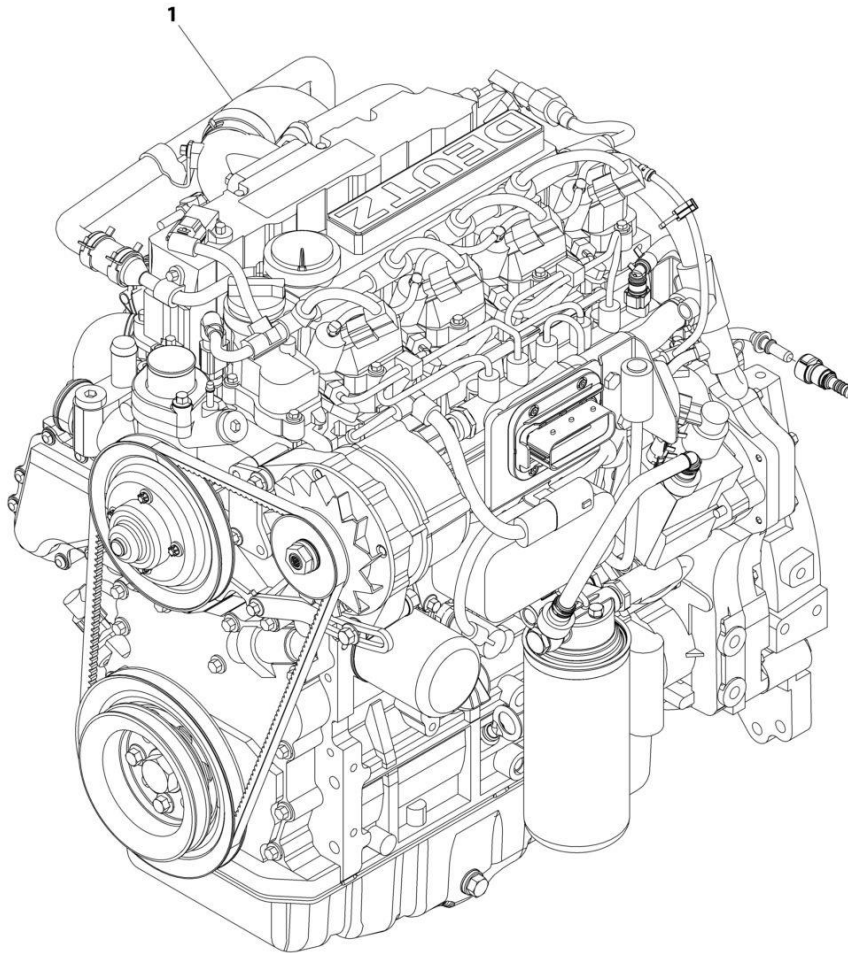
SECTION 4 - ENGINE AND ATTACHING PARTS

FIGURE 4-4. ENGINE MOUNT INSTALLATION, (HEATER & A/C)

ITEM	PART NUMBER	QTY	DESCRIPTION	REV
	1001139688	Ref	Engine Mount Installation, (Heater & A/C)	E
2	1001156849	1	Rod Assembly W/Locknut	
3	4812000	9	Washer, M10	
4	4812100	2	Washer, M12	
5	4891700	2	Washer, 7/16	
7	0681614	3	Hex HD Capscrew, 3/8-16X1-3/4	
8	8305038	1	Hex Nut, M10X1.5	
9	8310297	2	Hex HD Capscrew, M12X35, GR10.9	
11	8310748	1	Hex HD Capscrew, M10X50, GR8.8	
12	1001080789	1	A/C Compressor Pump	
13	1001131818	1	Sleeve, Split Bushing	
14	1001143815	1	Hose Assembly, Compressor To Evaporator	
15	1001143816	1	Hose Assembly, Compressor To Condenser	
16	1001144359	1	Belt	
17	1001144373	1	Tension Arm Plate	
19	1001144378	1	Engine/AC Mount Support	
20	1001147071	1	A/C Ground Harness	
21	1001139684	1	Heater Lines Installation (See Separate Breakdown in this Section)	
22	3271601	3	Hex Nut, 3/8-16, GR8	
23	1001227091	1	Decal, A/C Installation	

SECTION 4 - ENGINE AND ATTACHING PARTS

FIGURE 4-5. ENGINE (55.4KW - ULS)



ART_1001136095-F

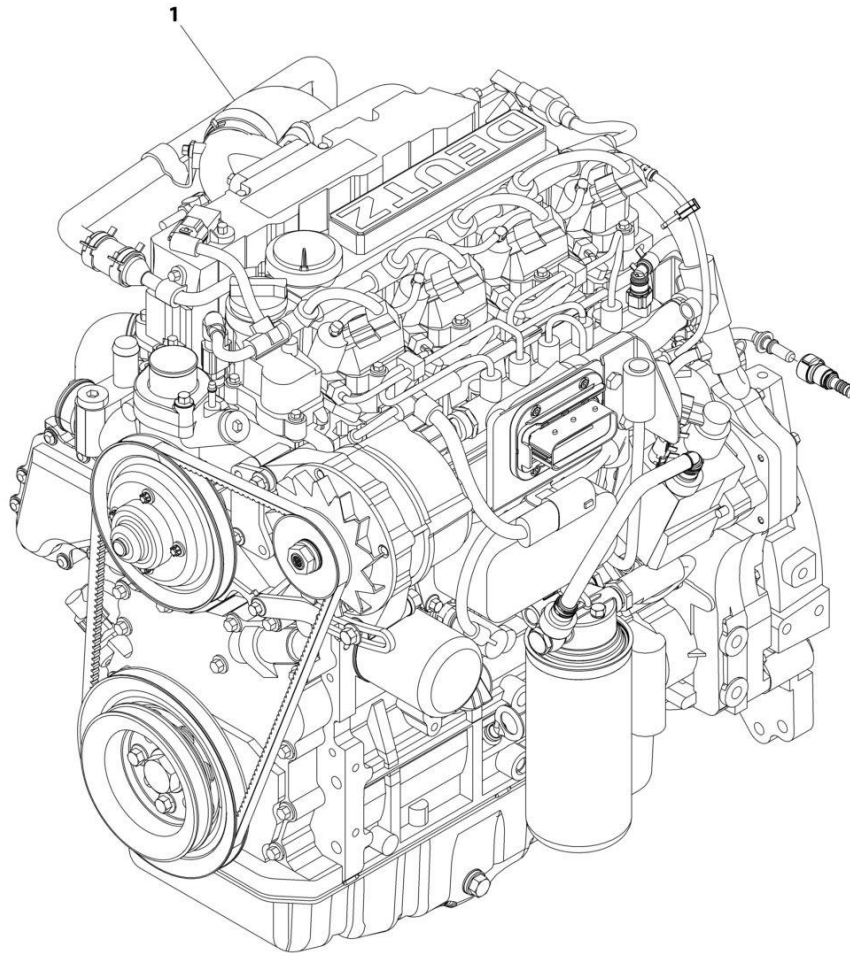
SECTION 4 - ENGINE AND ATTACHING PARTS

FIGURE 4-5. ENGINE (55.4KW - ULS)

ITEM	PART NUMBER	QTY	DESCRIPTION	REV
1	1001136095	Ref	Engine (55.4KW - ULS)	F

SECTION 4 - ENGINE AND ATTACHING PARTS

FIGURE 4-6. ENGINE (55.4KW - LS)



ART_1001139668-F

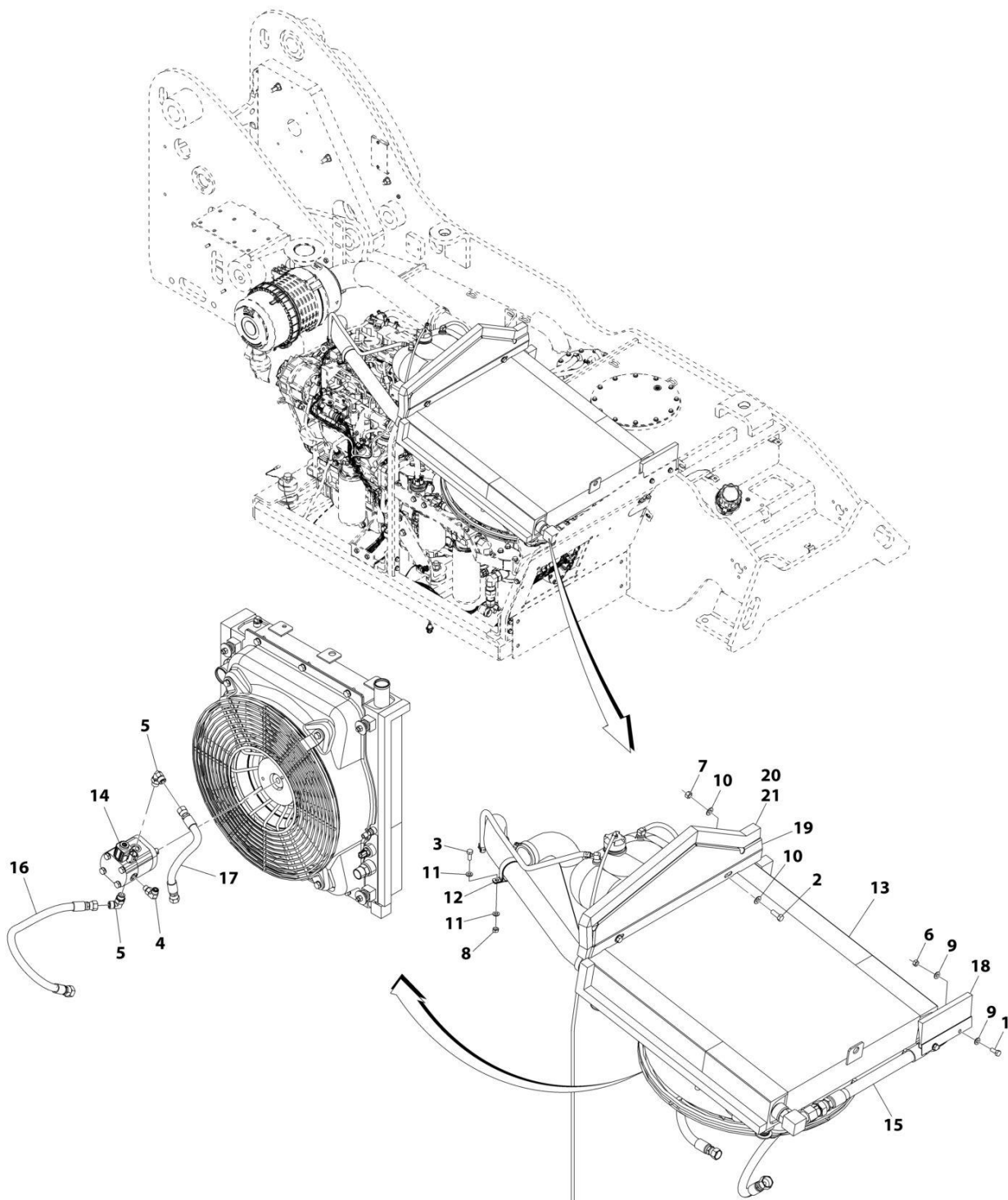
SECTION 4 - ENGINE AND ATTACHING PARTS

FIGURE 4-6. ENGINE (55.4KW - LS)

ITEM	PART NUMBER	QTY	DESCRIPTION	REV
1	1001139668	Ref	Engine (55.4KW - LS)	F

SECTION 4 - ENGINE AND ATTACHING PARTS

FIGURE 4-7. FAN INSTALLATION



ART_1001192128-D

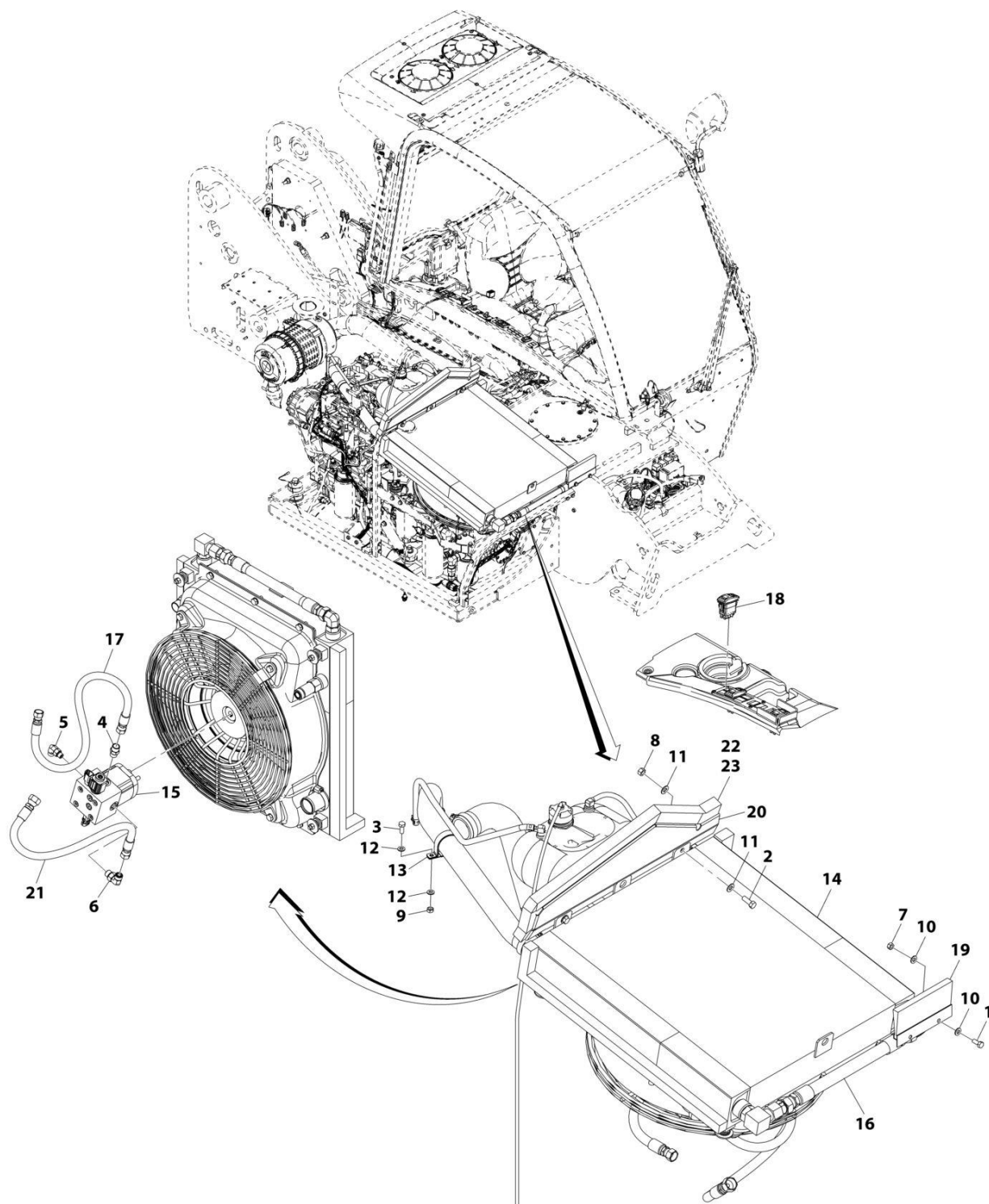
SECTION 4 - ENGINE AND ATTACHING PARTS

FIGURE 4-7. FAN INSTALLATION

ITEM	PART NUMBER	QTY	DESCRIPTION	REV
	1001192128	Ref	Fan Installation	D
1	0681506	2	Hex HD Capscrew, 5/16-18X3/4	
2	0681608	2	Hex HD Capscrew, 3/8-16X1	
3	0760810	1	Hex HD Capscrew, M8X20, GR8.8	
4	2130606	1	Adapter, 90	
5	2130808	2	Adapter, 90	
6	3271501	2	Hex Nut, 5/16-18, GR8	
7	3271601	2	Hex Nut, 3/8-16, GR8	
8	3290801	1	Hex Nut, M8X1.25	
9	4711500	4	Washer, 5/16	
10	4711600	4	Washer, 3/8	
11	4811900	2	Washer, M8	
12	8410001	1	Hose Clamp	
13	1001138877	1	Radiator Installation (See Separate Breakdown in this Section)	
14	1001141779	1	Fan Motor, Variable	
15	1001143041	1	Hose Assembly	
16	1001144692	1	Hose Assembly	
17	1001144693	1	Hose Assembly	
18	1001145710	1	Brush Seal	
19	1001191830	1	Air Dam Plate	
20	1001192256	1	Seal	
21	0100081	AR	Loctite 454	

SECTION 4 - ENGINE AND ATTACHING PARTS

FIGURE 4-8. FAN INSTALLATION, REVERSING



ART_1001192129-D

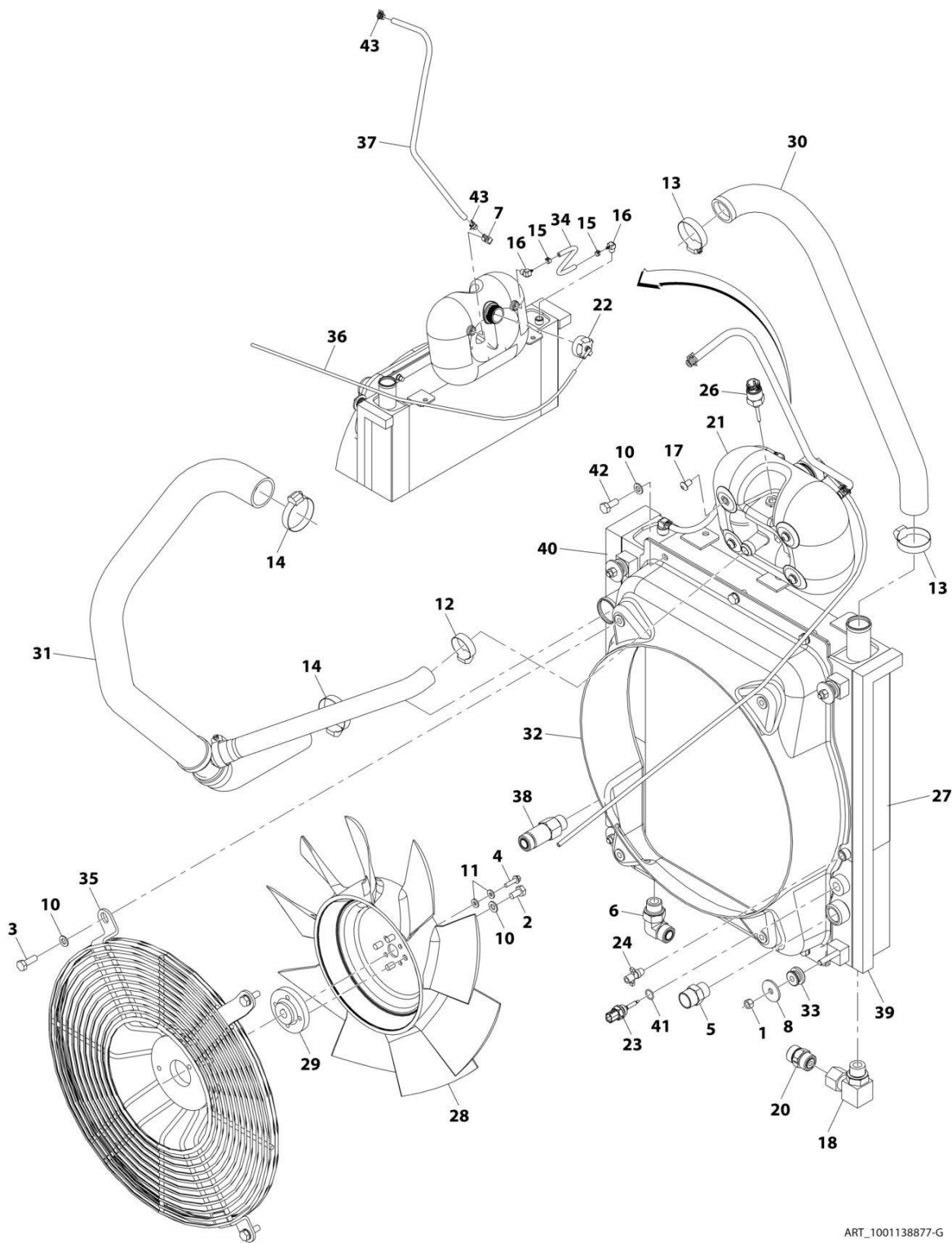
SECTION 4 - ENGINE AND ATTACHING PARTS

FIGURE 4-8. FAN INSTALLATION, REVERSING

ITEM	PART NUMBER	QTY	DESCRIPTION	REV
	1001192129	Ref	Fan Installation, Reversing	D
1	0681506	2	Hex HD Capscrew, 5/16-18X3/4	
2	0681608	2	Hex HD Capscrew, 3/8-16X1	
3	0760810	1	Hex HD Capscrew, M8X20, GR8.8	
4	2110808	1	Adapter, Straight	
5	2130606	1	Adapter 90	
6	2130808	1	Adapter 90	
7	3271501	2	Hex Nut, 5/16-18, GR8	
8	3271601	2	Hex Nut, 3/8-16, GR8	
9	3290801	1	Hex Nut, M8X1.25	
10	4711500	4	Washer, 5/6	
11	4711600	4	Washer, 3/8	
12	4811900	2	Washer, M8	
13	8410001	1	Hose Clamp	
14	1001138877	1	Radiator Installation (See Separate Breakdown in this Section)	
15	1001141780	1	Fan Motor, Variable, Reversing	
16	1001143041	1	Hose Assembly	
17	1001144695	1	Hose Assembly	
18	1001145204	1	Reverse Fan Switch	
19	1001145710	1	Brush Seal	
20	1001191830	1	Air Dam Plate	
21	1001144694	1	Hose Assembly	
22	1001192256	1	Seal	
23	0100081	AR	Loctite 454	

SECTION 4 - ENGINE AND ATTACHING PARTS

FIGURE 4-9. RADIATOR INSTALLATION



ART_1001138877-G

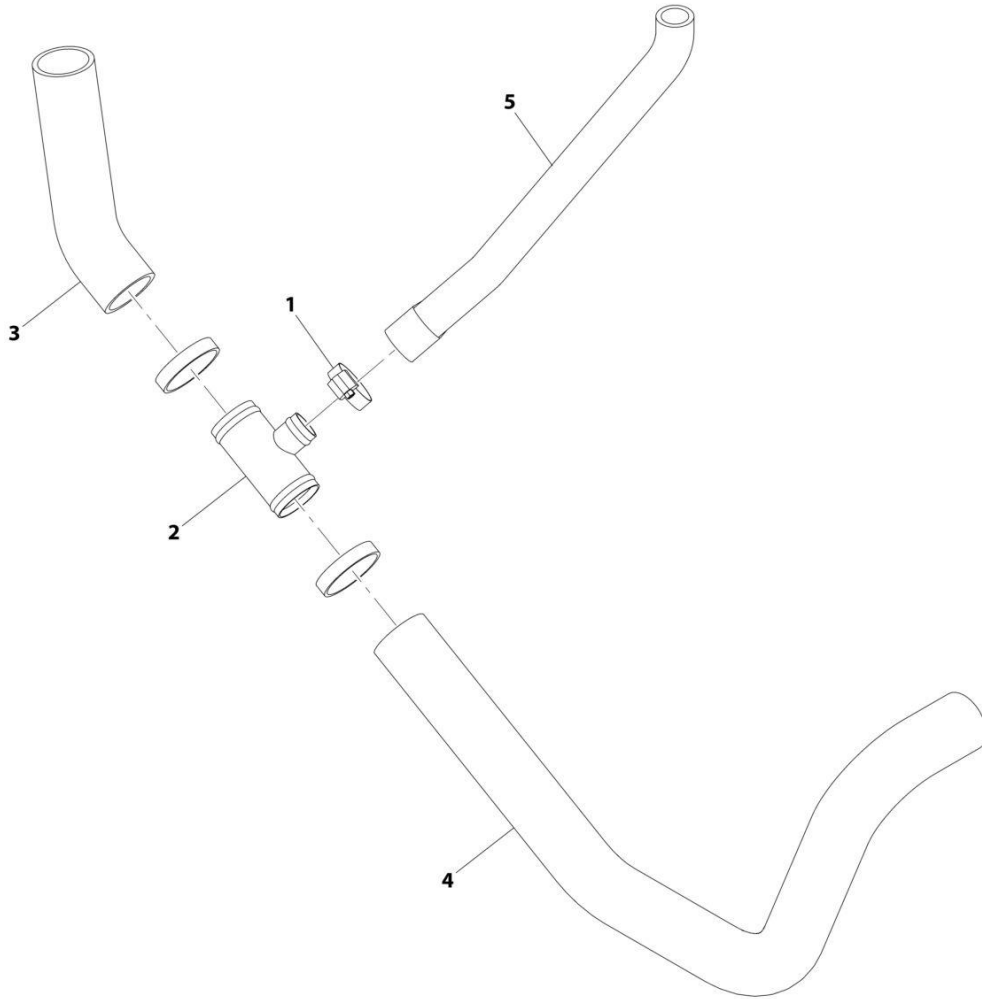
SECTION 4 - ENGINE AND ATTACHING PARTS

FIGURE 4-9. RADIATOR INSTALLATION

ITEM	PART NUMBER	QTY	DESCRIPTION	REV
	1001138877	Ref	Radiator Installation	G
1	3271601	4	Hex Nut, 3/8-16	
2	0761010	4	Hex HD Capscrew, M10X20, GR8.8	
3	0761014	4	Hex HD Capscrew, M10X30, GR8.8	
4	0811408	1	Screw, 1/4-20X1	
5	2111212	1	Adapter, Straight	
6	2131212	1	Adapter, 90	
7	8420227	1	Hose Barb Elbow, 90	
8	4740281	4	Special Washer	
10	4812000	14	Washer M10	
11	4891400	2	Washer, 1/4	
12	8405102	1	Gear Clamp, 1.75	
13	8405104	2	Gear Clamp, 2.25	
14	8405201	2	Gear Clamp, 2.50	
15	1001157075	2	Hose Clamp	
16	8420236	2	Hose Barb Elbow, 90	
17	88261026	4	Button HD Capscrew, 3/8-16X5/8	
18	1001003680	1	Adapter, 90	
20	1001127967	1	Check Valve	
21	1001128144	1	Coolant Tank	
22	1001136834	1	Deaeration Tank Cap	
23	1001128478	1	Temperature Sensor	
24	8904001	1	External Seal, Drain Cock	
26	1001138827	1	Coolant Level Sensor	
27	1001138888	1	Water/Oil Radiator	
28	1001148423	1	Fan, 20in, 9 Blade	
29	1001145871	1	Adapter, Fan	
30	1001141786	1	Radiator Inlet Hose	
31	1001141787	1	Lower Radiator Hose Assembly (See Separate Breakdown in this Section)	
32	1001141796	1	Fan Shroud	
33	1001141801	4	Mounting Pad	
34	1001141834	1	Radiator Vent Hose, 3/16	
35	1001141881	1	Fan Guard Grill	
36	1001141896	1	Coolant Overflow Hose	
37	1001141944	1	Engine Vent Hose	
38	2170112	1	Adapter, Straight	
39	1001144367	1	Foam Gasket Seal	
40	1001144368	1	Foam Gasket Seal	
41	1001009163	1	Seal	
42	0761012	6	Hex HD Capscrew, M10X25, GR8.8	
43	1001156087	2	Hose Clamp	

SECTION 4 - ENGINE AND ATTACHING PARTS

FIGURE 4-10. RADIATOR LOWER HOSE ASSEMBLY



ART_1001141787-D

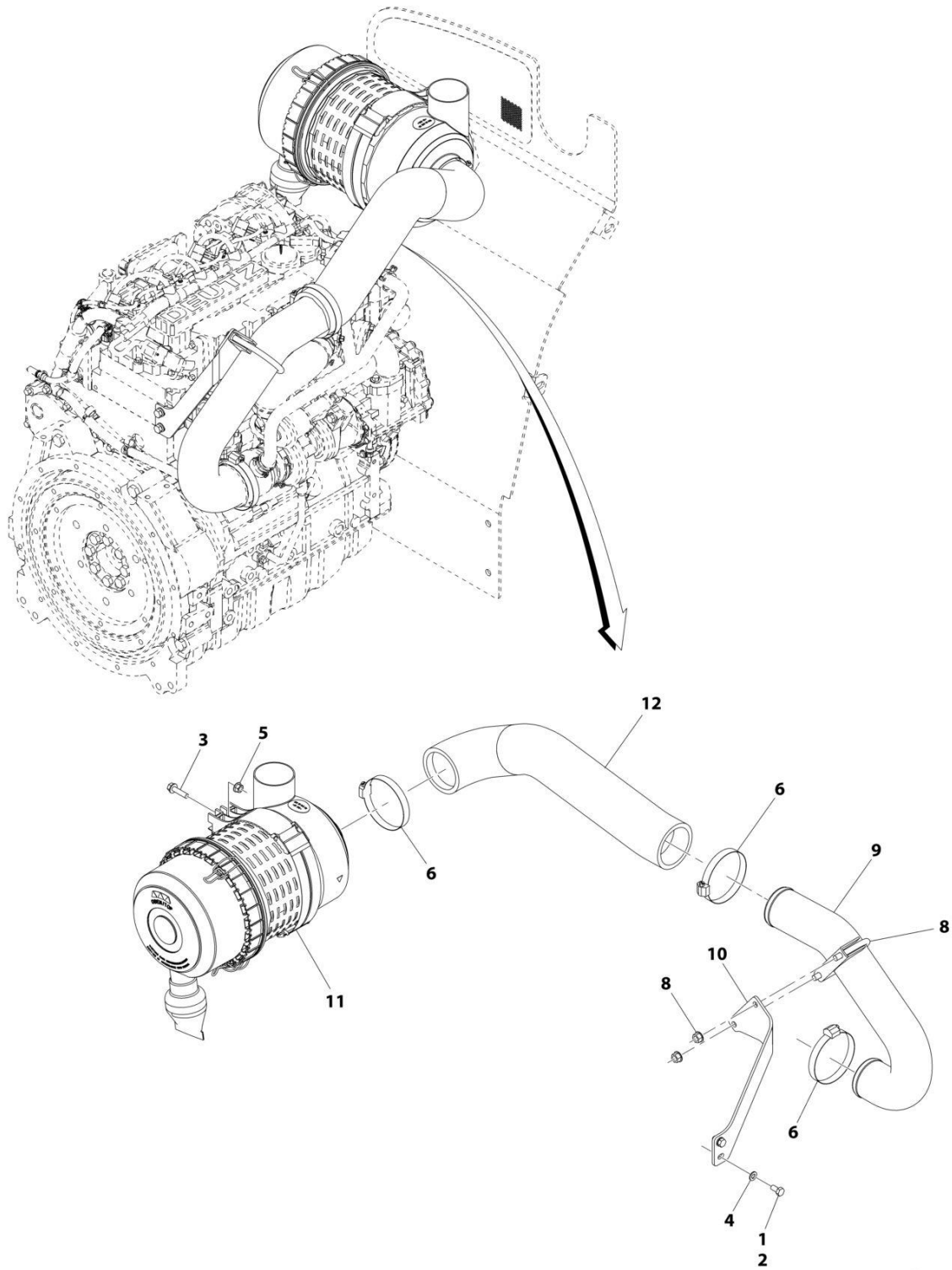
SECTION 4 - ENGINE AND ATTACHING PARTS

FIGURE 4-10. RADIATOR LOWER HOSE ASSEMBLY

ITEM	PART NUMBER	QTY	DESCRIPTION	REV
	1001141787	Ref	Radiator Lower Hose Assembly	D
1	8405102	1	Gear Clamp, 1.75	
2	1001121514	1	Tee Pipe	
3	1001141788	1	Water Inlet Hose	
4	1001141789	1	Radiator Outlet Hose	
5	1001141791	1	Surge Tank Return Hose	

SECTION 4 - ENGINE AND ATTACHING PARTS

FIGURE 4-11. AIR CLEANER INSTALLATION



ART_1001193752-B

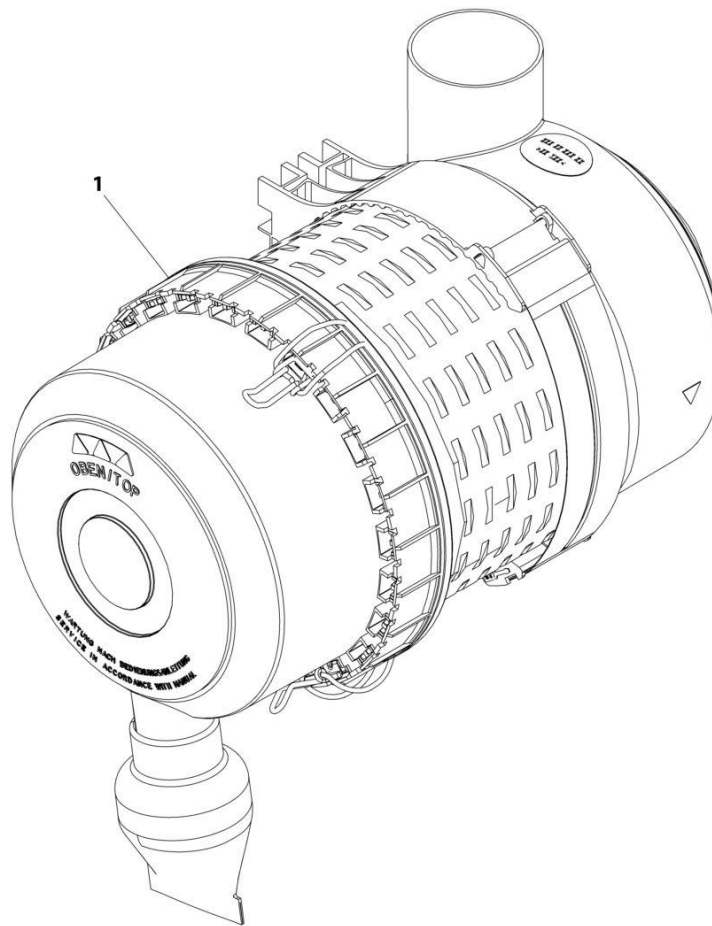
SECTION 4 - ENGINE AND ATTACHING PARTS

FIGURE 4-11. AIR CLEANER INSTALLATION

ITEM	PART NUMBER	QTY	DESCRIPTION	REV
	1001193752	Ref	Air Cleaner Installation	B
1	0100011	AR	Loctite 242	
2	0760808	2	Hex HD Capscrew, M8X16, GR8.8	
3	0811510	2	Screw, 5/16-18X1-1/4	
4	4811900	2	Washer, M8	
5	8310420	2	Flange Nut, 5/16-18	
6	8410011	3	Gear Clamp, 3.25	
8	1001101451	1	Muffler Clamp	
9	1001139155	1	Air Intake Tube	
10	1001141310	1	Tube Bracket	
11	1001142259	1	Air Filter	
12	1001143201	1	Air Intake Hose	

SECTION 4 - ENGINE AND ATTACHING PARTS

FIGURE 4-12. AIR FILTER



ART_1001142259-D

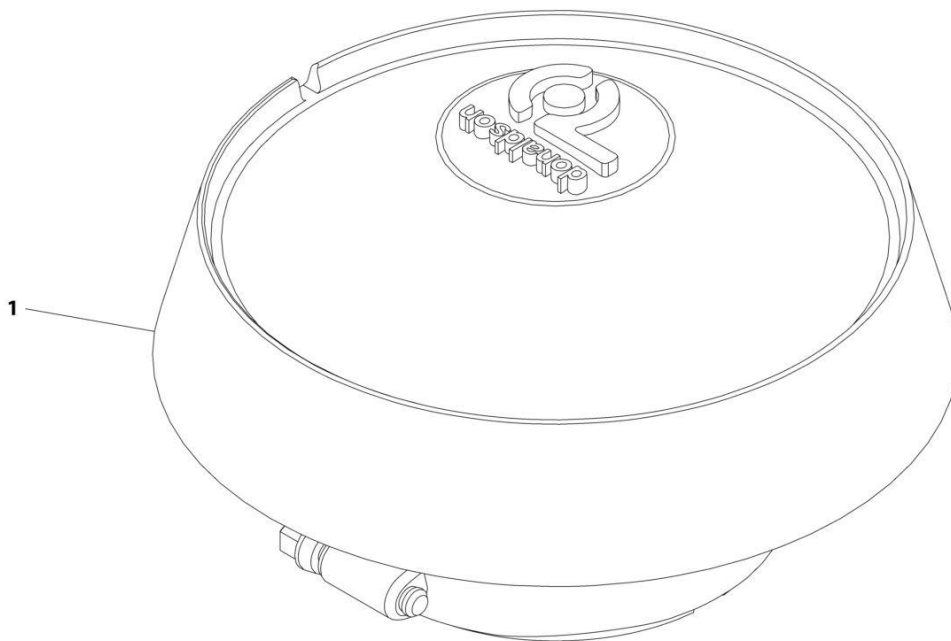
SECTION 4 - ENGINE AND ATTACHING PARTS

FIGURE 4-12. AIR FILTER

ITEM	PART NUMBER	QTY	DESCRIPTION	REV
1	1001142259	Ref	Air Filter	D

SECTION 4 - ENGINE AND ATTACHING PARTS

FIGURE 4-13. RAIN CAP



ART_1001144015-A

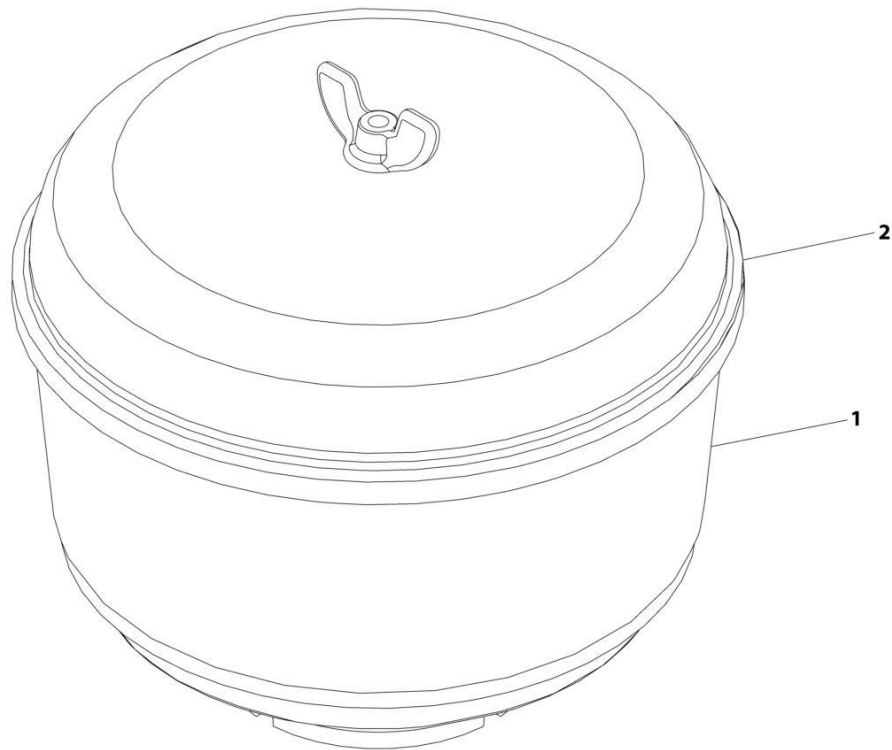
SECTION 4 - ENGINE AND ATTACHING PARTS

FIGURE 4-13. RAIN CAP

ITEM	PART NUMBER	QTY	DESCRIPTION	REV
1	1001144015	Ref	Rain Cap	A

SECTION 4 - ENGINE AND ATTACHING PARTS

FIGURE 4-14. PRECLEANER



ART_1001062773-B

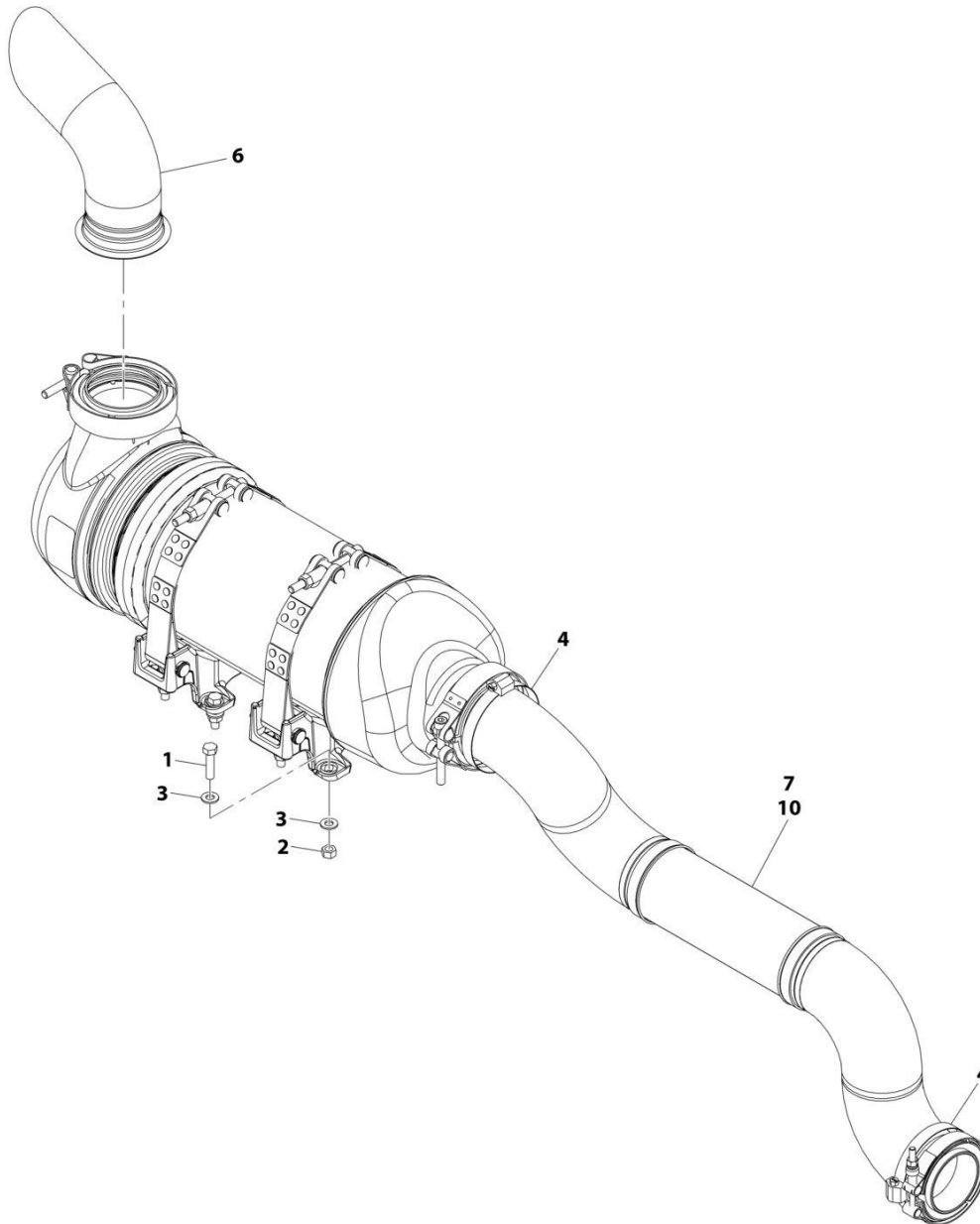
SECTION 4 - ENGINE AND ATTACHING PARTS

FIGURE 4-14. PRECLEANER

ITEM	PART NUMBER	QTY	DESCRIPTION	REV
	1001062773	Ref	Precleaner	B
1	70027591	1	Bowl	
2	70027592	1	Cover	

SECTION 4 - ENGINE AND ATTACHING PARTS

FIGURE 4-15. EXHAUST INSTALLATION (ULS)



ART_1001139681-D

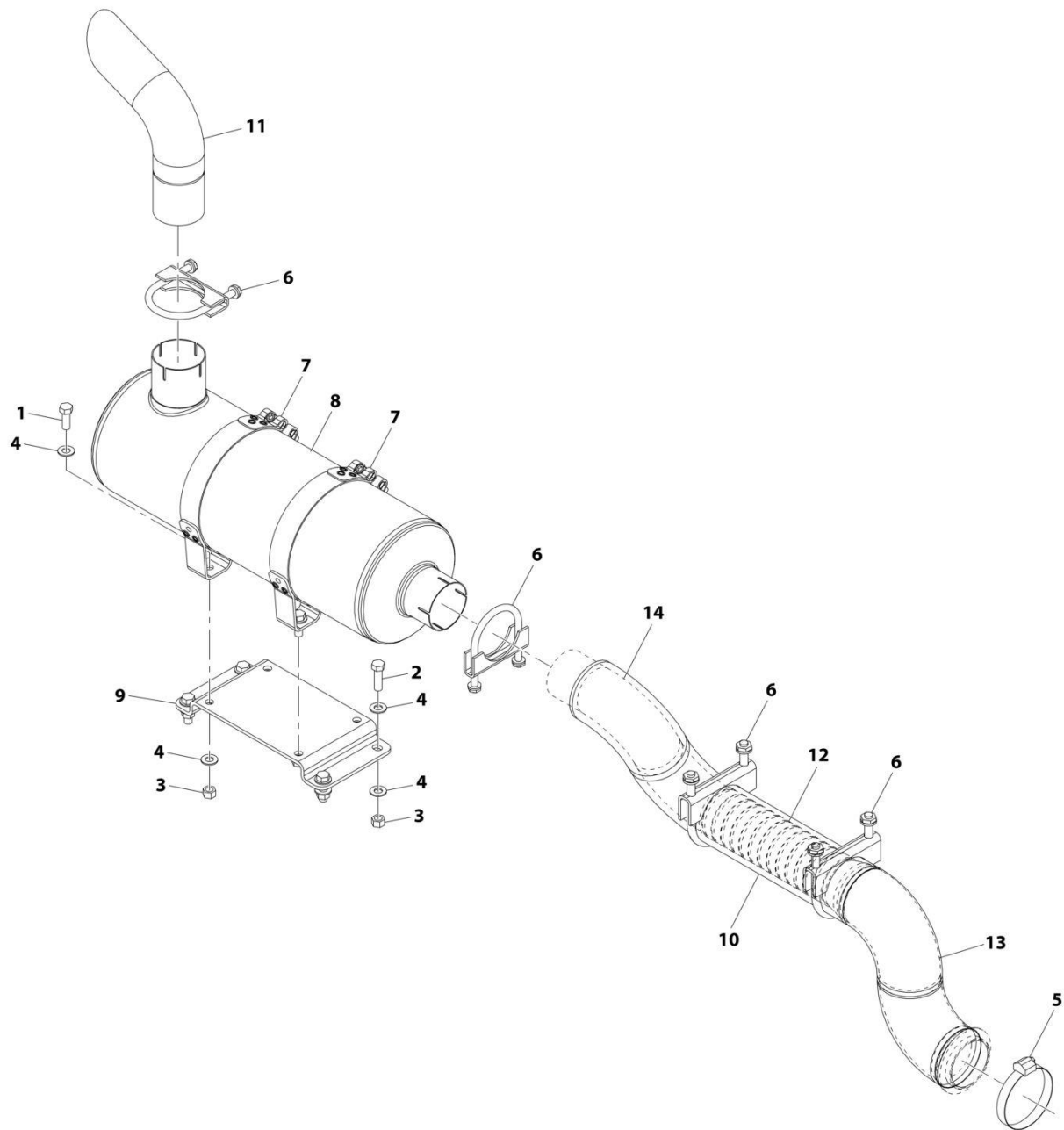
SECTION 4 - ENGINE AND ATTACHING PARTS

FIGURE 4-15. EXHAUST INSTALLATION (ULS)

ITEM	PART NUMBER	QTY	DESCRIPTION	REV
	1001139681	Ref	Exhaust Installation (ULS)	D
1	0681510	8	Hex HD Capscrew, 5/16-18X1 1/4 LG	
2	3271501	8	Hex Nut, 5/16-18	
3	4711500	16	Washer, 5/16	
4	8410011	2	Gear Clamp, 3.25	
6	1001141551	1	Exhaust Elbow Pipe	
7	1001143216	1	Exhaust Pipe	
10	1001143304	1	Thermal Sock Insulate	

SECTION 4 - ENGINE AND ATTACHING PARTS

FIGURE 4-16. EXHAUST INSTALLATION (LS)



ART_1001139682-C

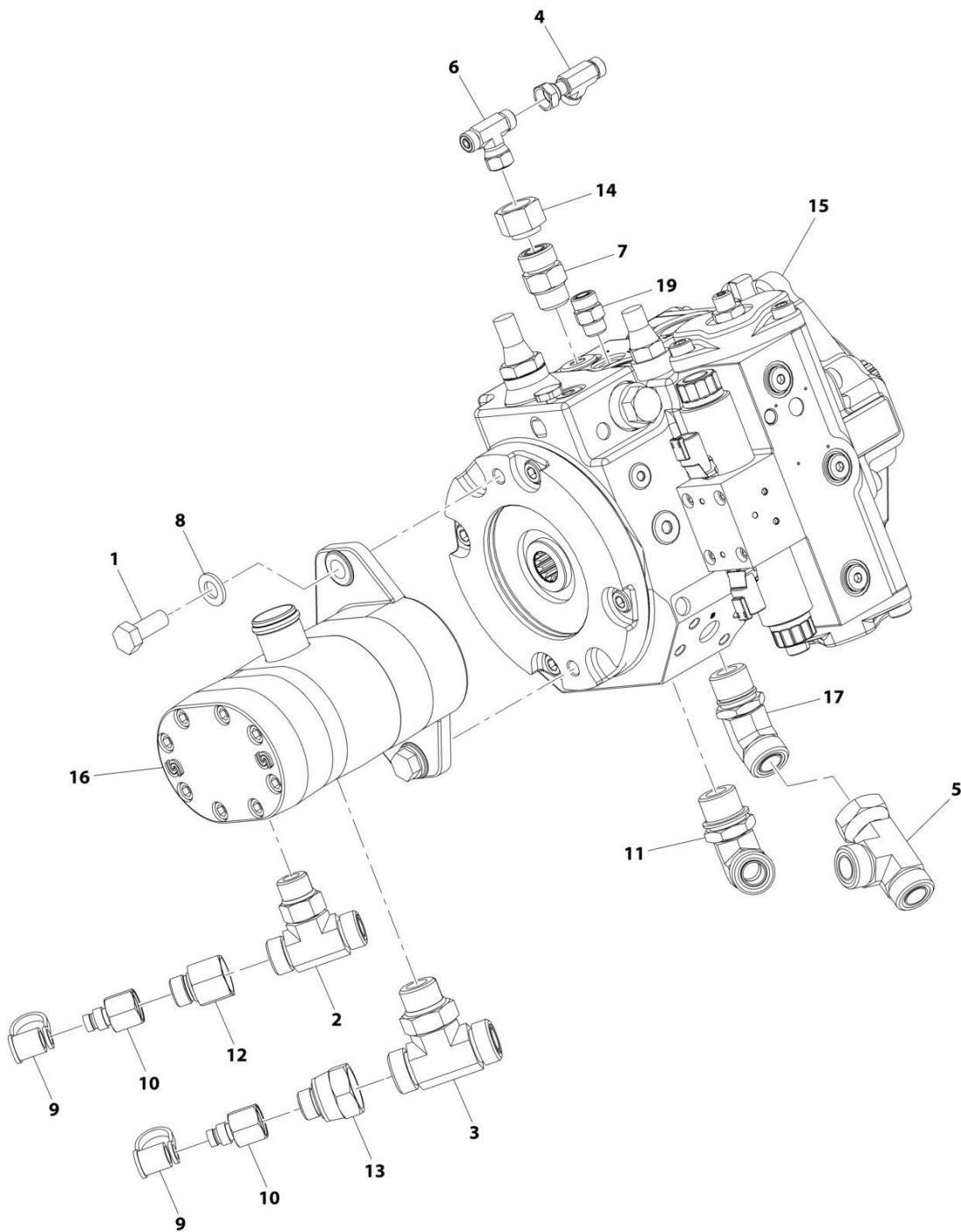
SECTION 4 - ENGINE AND ATTACHING PARTS

FIGURE 4-16. EXHAUST INSTALLATION (LS)

ITEM	PART NUMBER	QTY	DESCRIPTION	REV
	1001139682	Ref	Exhaust Installation (LS)	C
1	0681608	4	Hex HD Capscrew, 3/8-16X1	
2	0681610	4	Hex HD Capscrew, 3/8-16X1-1/4	
3	3271601	8	Hex Nut, 3/8-16, GR8	
4	4711600	16	Washer, 3/8	
5	8405204	1	Gear Clamp, 3.25	
6	8275212	4	Muffler Clamp	
7	1001119727	2	Muffler Clamp	
8	1001140671	1	Muffler	
9	1001141019	1	Support Plate	
10	1001143304	1	Thermal Sock Insulate	
11	1001153410	1	Exhaust Elbow Pipe	
12	1001153411	1	Flex Tube	
13	1001153412	1	Exhaust Pipe	
14	1001153413	1	Exhaust Pipe	

SECTION 4 - ENGINE AND ATTACHING PARTS

FIGURE 4-17. HYDROSTATIC DRIVE PUMP ASSEMBLY



ART_1001190821-C

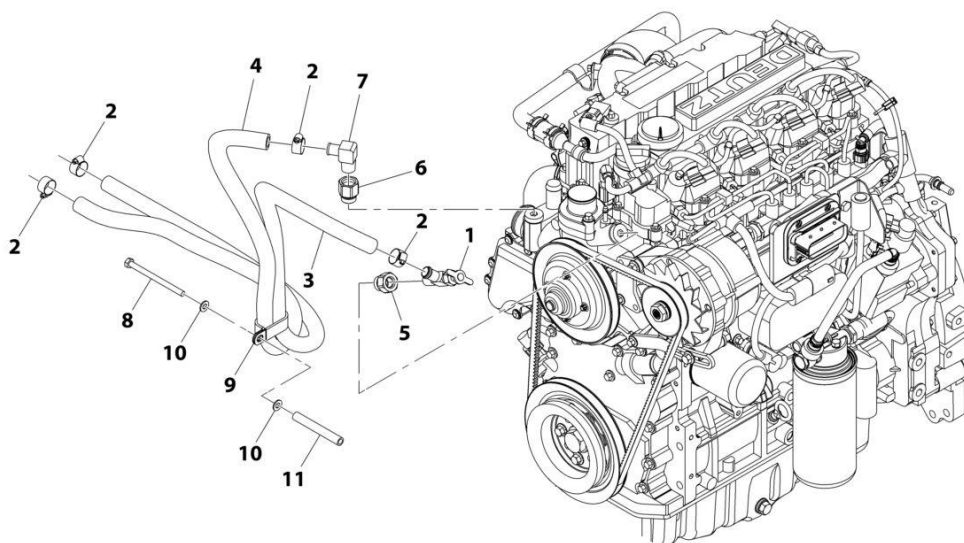
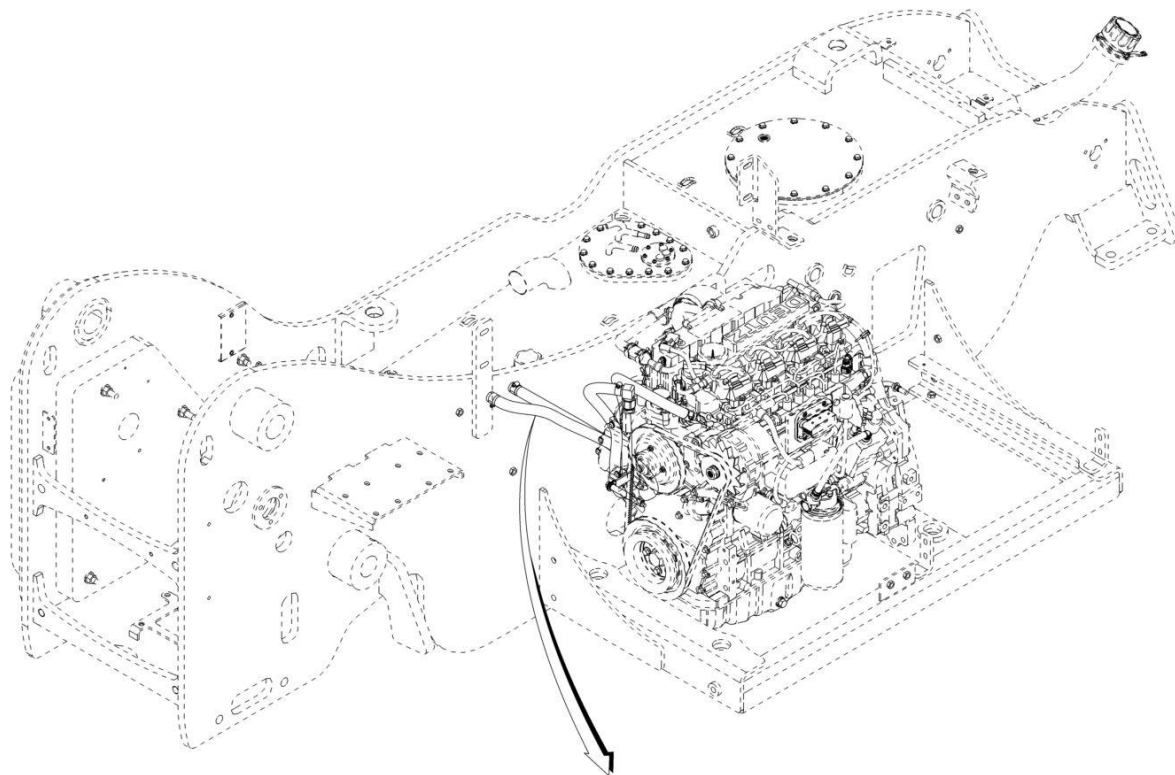
SECTION 4 - ENGINE AND ATTACHING PARTS

FIGURE 4-17. HYDROSTATIC DRIVE PUMP ASSEMBLY

ITEM	PART NUMBER	QTY	DESCRIPTION	REV
	1001190821	Ref	Hydrostatic Drive Pump Assembly	C
1	0761214	2	Hex HD Capscrew, M12X30, GR8.9	
2	2170410	1	Adapter, Branch Tee	
3	2170412	1	Adapter, Branch Tee	
4	2170704	1	Swivel Nut Run Tee	
5	2170712	1	Adapter, Run Tee	
6	2170804	1	Adapter, Branch Tee	
7	2221257	1	Adapter, Connector	
8	4812100	2	Washer, M12	
9	8430032	2	Dust Cap	
10	8430082	2	Adapter, Connector	
11	8770248	1	Adapter, 90	
12	8770296	1	Adapter, Connector, (includes o-ring)	
13	88662480	1	Adapter, Connector, (includes o-ring)	
14	1001119721	1	Adapter, Straight, (includes o-ring)	
15	1001138887	1	Hydrostatic Drive Pump (See Separate Breakdown in HYDRAULIC COMPONENTS Section)	
16	1001139997	1	Gear Pump (See Separate Breakdown in HYDRAULIC COMPONENTS Section)	
17	1001151264	1	Adapter 45, (includes o-ring)	
19	2144611	1	Adapter, Connector, (includes o-ring)	

SECTION 4 - ENGINE AND ATTACHING PARTS

FIGURE 4-18. HEATER LINES INSTALLATION



ART_1001139684-C

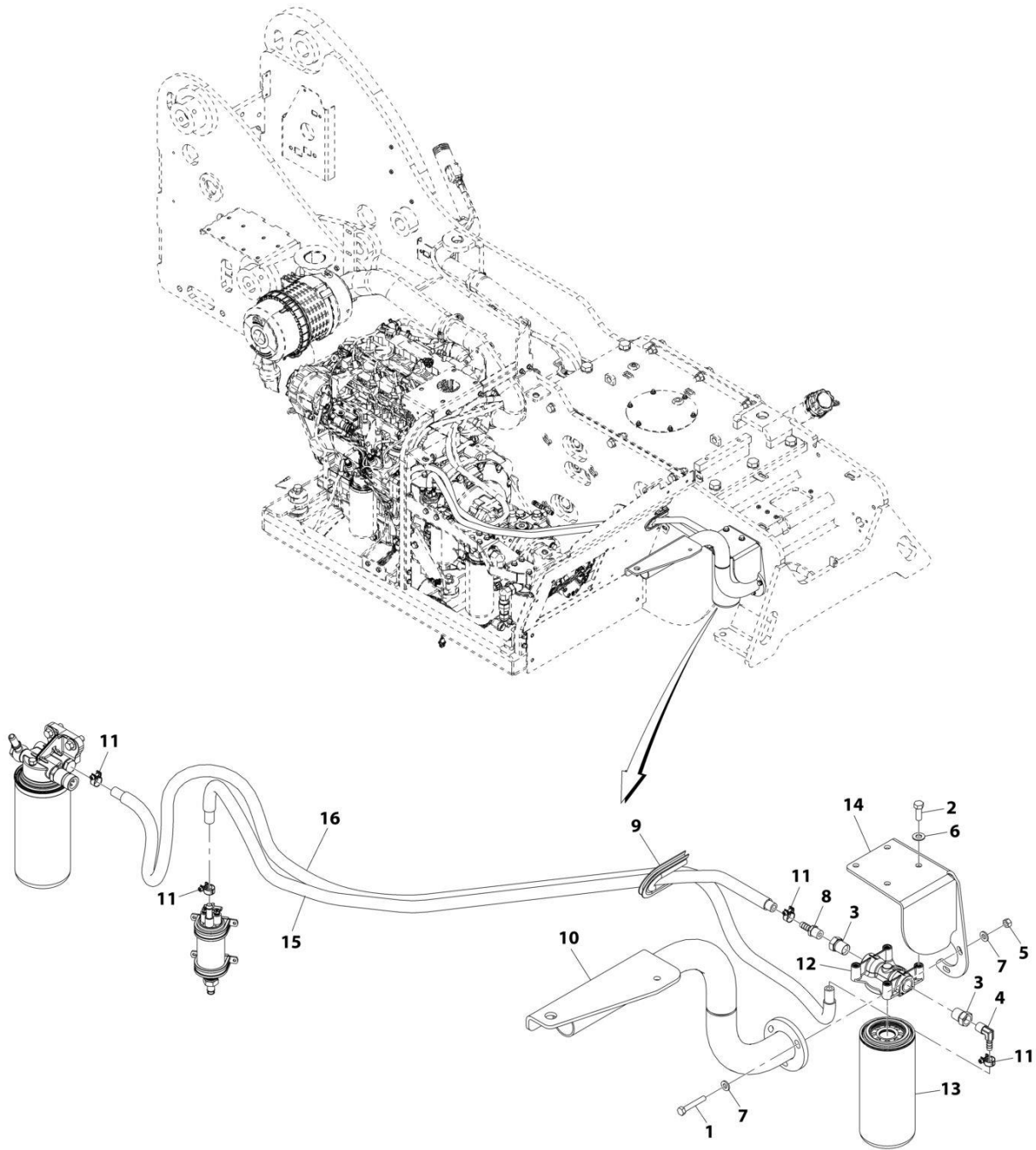
SECTION 4 - ENGINE AND ATTACHING PARTS

FIGURE 4-18. HEATER LINES INSTALLATION

ITEM	PART NUMBER	QTY	DESCRIPTION	REV
	1001139684	Ref	Heater Lines Installation	C
1	8360005	1	Shut-Off Valve	
2	8410009	4	Gear Clamp	
3	1001143254	1	Cab Heater Hose	
4	1001143255	1	Cab Heater Hose	
5	1001143467	1	Straight Adapter	
6	1001143468	1	Straight Adapter	
7	84712749	1	Brass Elbow	
8	0760828	1	Hex HD Capscrew, M8X110, GR8.8	
9	1321716	1	Clamp	
10	8307222	2	Plain Washer, M8	
11	1001157088	1	Sleeve	

SECTION 4 - ENGINE AND ATTACHING PARTS

FIGURE 4-19. LUBRICITY DOSER INSTALLATION (MIRROR)



ART_1001201538-A

SECTION 4 - ENGINE AND ATTACHING PARTS

FIGURE 4-19. LUBRICITY DOSER INSTALLATION (MIRROR)

ITEM	PART NUMBER	QTY	DESCRIPTION	REV
	1001201538	Ref	Lubricity Doser Installation (Mirror)	A
1	0641516	3	Hex HD Capscrew, 5/16-18X2	
2	0681608	4	Hex HD Capscrew, 3/8-16X1	
3	2220251	2	Adapter, Straight	
4	2220313	1	Barb Fitting, 90	
5	3311505	3	Hex Locknut, 5/16-18, GR2	
6	4711600	4	Plain Washer, 3/8	
7	4891500	6	Hardened Washer, 5/16	
8	8430068	1	Hose Barb Coupling	
9	1001097160	6 in	Self-Gripping Bulb Seal	
10	1001133822	1	Bracket Headlight	
11	1001136975	4	Fuel Hose Clamp	
12	1001141287	1	Lubricity Doser Mount	
13	1001141591	1	Lubricity Doser Element Filter	
14	1001146575	1	Doser Bracket	
15	1001165202	1	Engine Fuel Supply Hose	
16	1001165203	1	Engine Fuel Supply Hose	

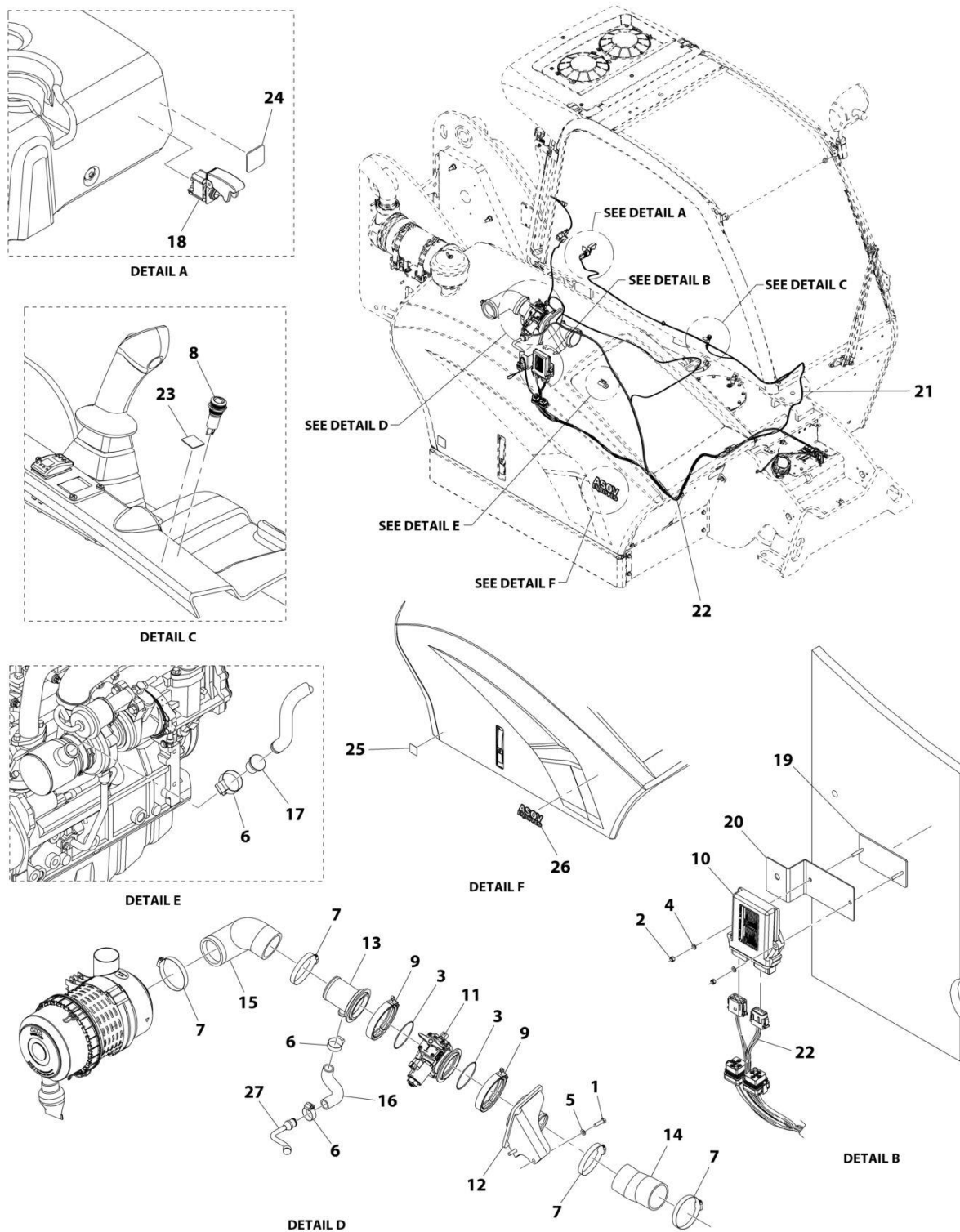
SECTION 4 - ENGINE AND ATTACHING PARTS

FIGURE 4-20. LUBRICITY DOSER INSTALLATION (LIGHT & MIRROR)

ITEM	PART NUMBER	QTY	DESCRIPTION	REV
	1001213994	Ref	Lubricity Doser Installation (Light & Mirror)	A
1	0641516	3	Hex HD Capscrew, 5/16-18X2	
2	0641532	3	Hex HD Capscrew, 5/16-18X4	
3	0681608	4	Hex HD Capscrew, 3/8-16X1	
4	2220251	2	Adapter, Straight	
5	2220313	1	Barb Fitting, 90	
6	3311505	6	Hex Locknut, 5/16-18, GR2	
7	4711600	4	Plain Washer, 3/8	
8	4891500	12	Hardened Washer, 5/16	
9	8430068	1	Hose Barb Coupling	
10	1001133822	1	Bracket Headlight	
11	1001136975	4	Fuel Hose Clamp	
12	1001141287	1	Lubricity Doser Mount	
13	1001141591	1	Lubricity Doser Element Filter	
14	1001146575	1	Doser Bracket	
15	1001213955	1	Bracket Headlight Mount	
16	1001097160	6 in	Self-Gripping Bulb Seal	
17	1001165202	1	Engine Fuel Supply Hose	
18	1001165203	1	Engine Fuel Supply Hose	

SECTION 4 - ENGINE AND ATTACHING PARTS

FIGURE 4-21. AIR SHUT OFF VALVE INSTALLATION



ART_1001204679-B

SECTION 4 - ENGINE AND ATTACHING PARTS

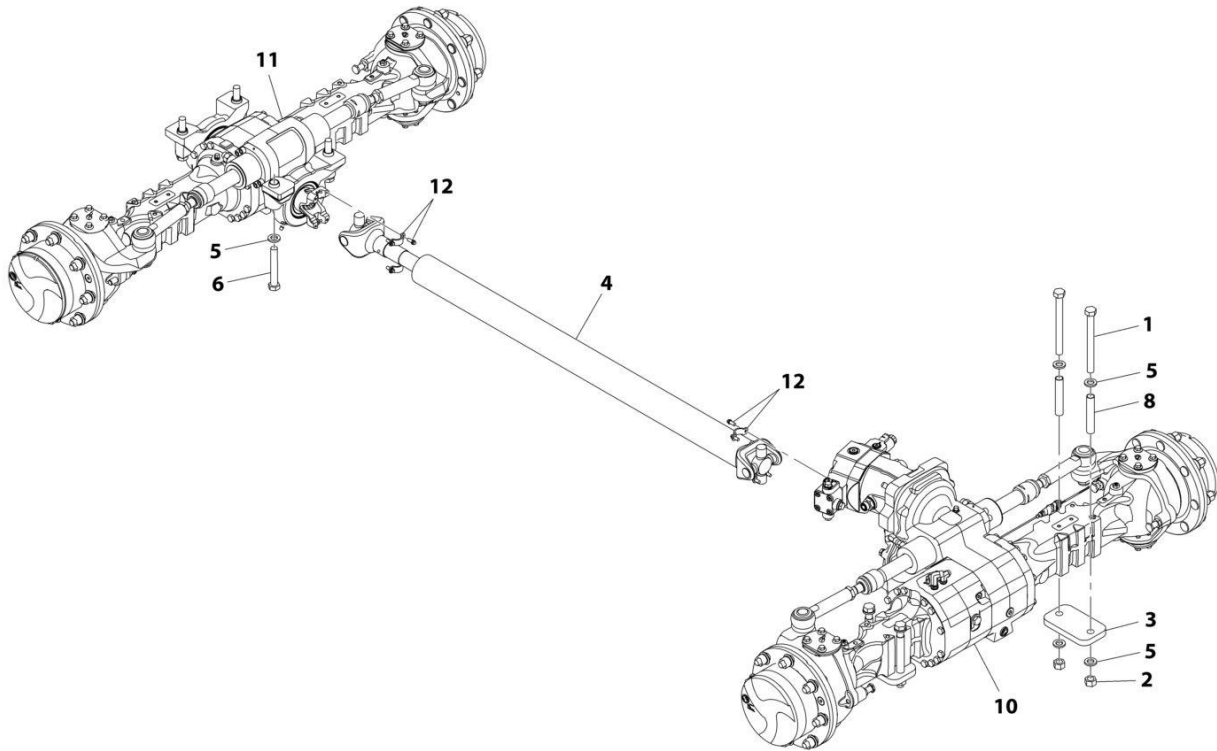
FIGURE 4-21. AIR SHUT OFF VALVE INSTALLATION

ITEM	PART NUMBER	QTY	DESCRIPTION	REV
	1001204679	Ref	Air Shut Off Valve Installation	B
1	0760814	2	BOLT, M8X30	
2	3290505	2	HEX LOCKNUT, M5X8	
3	3790152	2	O-RING	
4	4811600	2	WASHER, M5	
5	4811900	2	WASHER, M8	
6	8405101	3	GEAR CLAMP	
7	8410011	4	GEAR CLAMP	
8	1001239539	1	LAMP, LED INDICATOR	
9	1001202247	2	CLAMP	
10	1001203181	1	CONTROL ACCESSORY (See Separate Breakdown in Electrical Section)	
11	1001204032	1	VALVE, AIR SHUT OFF (See Separate Breakdown in Hydraulic Components Section)	
12	1001204674	1	BRACKET	
13	1001204676	1	ADAPTER	
14	1001204677	1	HOSE, ASO VALVE	
15	1001204678	1	HOSE, AIR INTAKE	
16	1001205397	1	HOSE, CRANKCASE BREATHER	
17	1001206603	1	PLUG	
18	1001215941	1	SWITCH	
19	1001219082	1	BRACKET	
20	1001230503	1	PLATE	
21	1001233213	1	HARNESS, POSI AIR SHUT OFF VALVE (See Separate Breakdown in Electrical Section)	
22	1001233235	1	HARNESS, POSI AIR SHUT OFF VALVE FRAME (See Separate Breakdown in Electrical Section)	
23	1001227077	1	DECAL	
24	1001227964	1	DECAL	
25	1001228273	1	DECAL	
26	1001228643	1	DECAL	
27	1001233784	1	PIPE	

SECTION 5 - DRIVE TRAIN

SECTION 5 - DRIVE TRAIN

FIGURE 5-1. DRIVETRAIN INSTALLATION



ART_1001233725-C

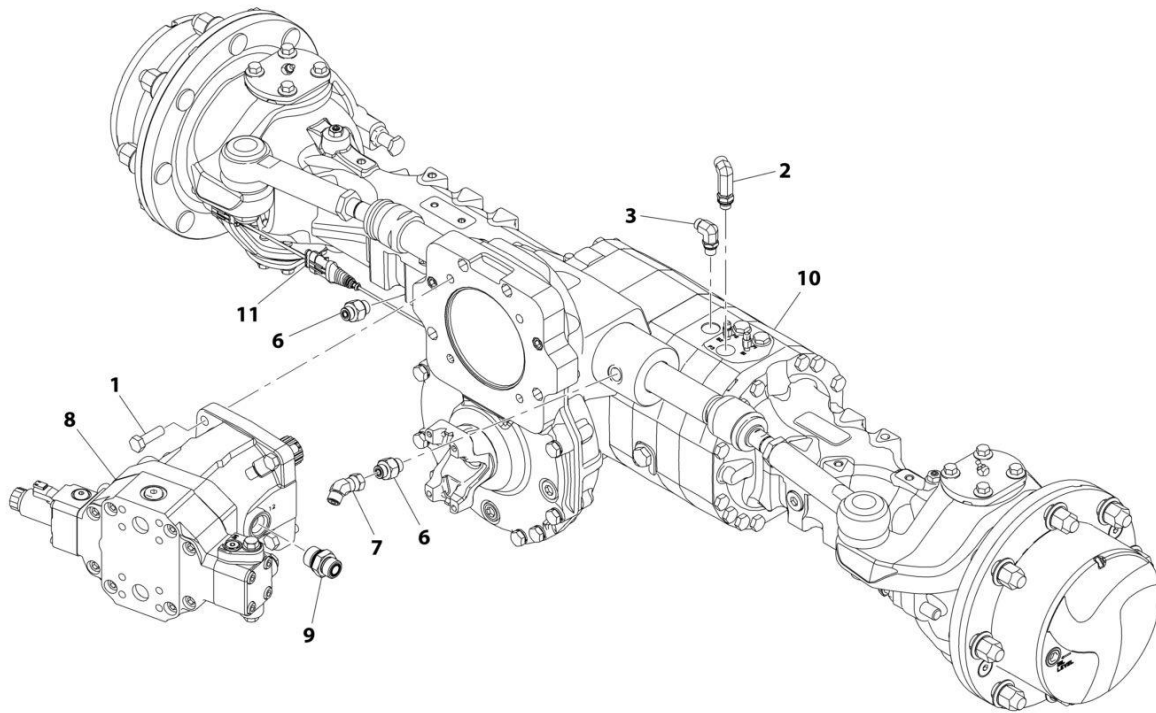
SECTION 5 - DRIVE TRAIN

FIGURE 5-1. DRIVETRAIN INSTALLATION

ITEM	PART NUMBER	QTY	DESCRIPTION	REV
	1001233725	Ref	Drive Train Installation	C
1	0682264	4	Hex HD Capscrew, 3/4-10X8, GR8	
2	3272201	4	Hex Nut, 3/4-10, GR8	
3	3576766	2	Mounting Plate	
4	4040291	1	Drive Shaft	
5	4892200	12	Washer, 3/4	
6	91403412	4	Hex HD Capscrew, 3/4-10X5, GR8	
8	1001081071	4	Front Axle Mount Sleeve	
10	1001233723	1	Front Axle Assembly (See Separate Breakdown in this Section)	
11	1001233724	1	Rear Axle Assembly (See Separate Breakdown in this Section)	
12	8880219-OM	2	Strap Kit	
12	8880221	4	Screw	
12	8880220	2	Strap	

SECTION 5 - DRIVE TRAIN

FIGURE 5-2. FRONT AXLE ASSEMBLY



ART_1001233723-C

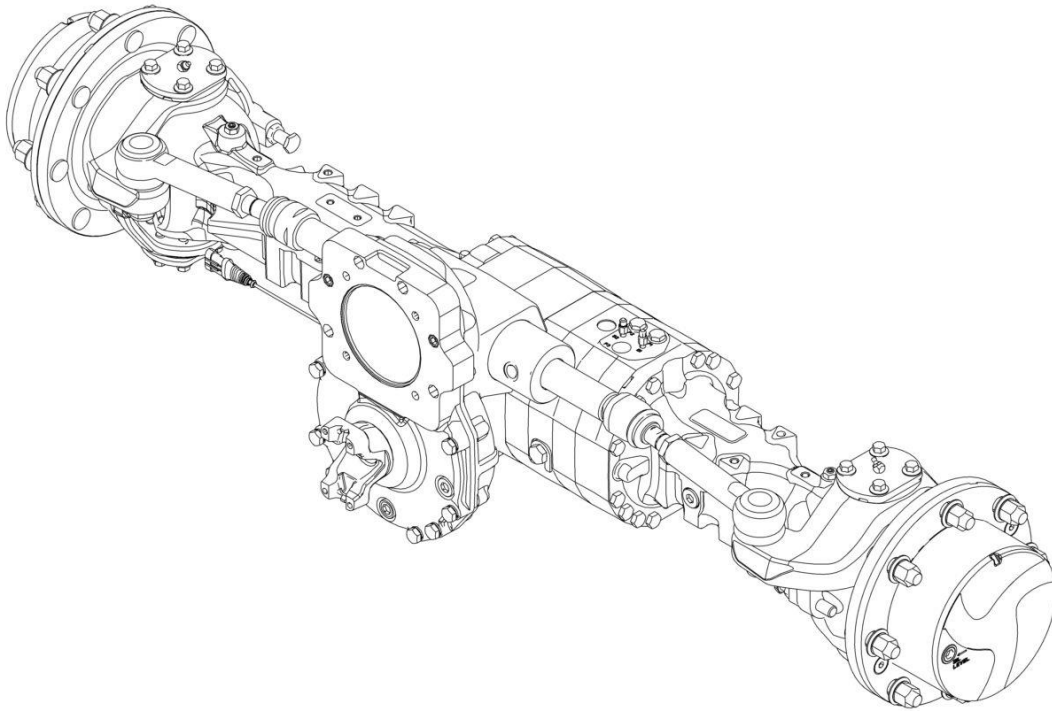
SECTION 5 - DRIVE TRAIN

FIGURE 5-2. FRONT AXLE ASSEMBLY

ITEM	PART NUMBER	QTY	DESCRIPTION	REV
	1001233723	Ref	Front Axle Assembly	C
1	0761216	4	Hex HD Capscrew, M12X40	
2	2221285	1	Elbow, 90	
3	8770241	1	Elbow, 90	
6	1001081333	2	Fitting, Straight	
7	1001105990	1	Fitting, 45	
8	1001138823	1	Hydrostatic Motor (See Separate Breakdown in Hydraulic Components Section)	
9	1001144255	1	Fitting, Straight	
10	1007367100	1	Front Axle (See Separate Breakdown in this Section)	
11	1001234992	1	Speed Sensor Jumper Harness (See Separate Breakdown in Electrical Section)	

SECTION 5 - DRIVE TRAIN

FIGURE 5-3. FRONT AXLE



ART_1007367100-D

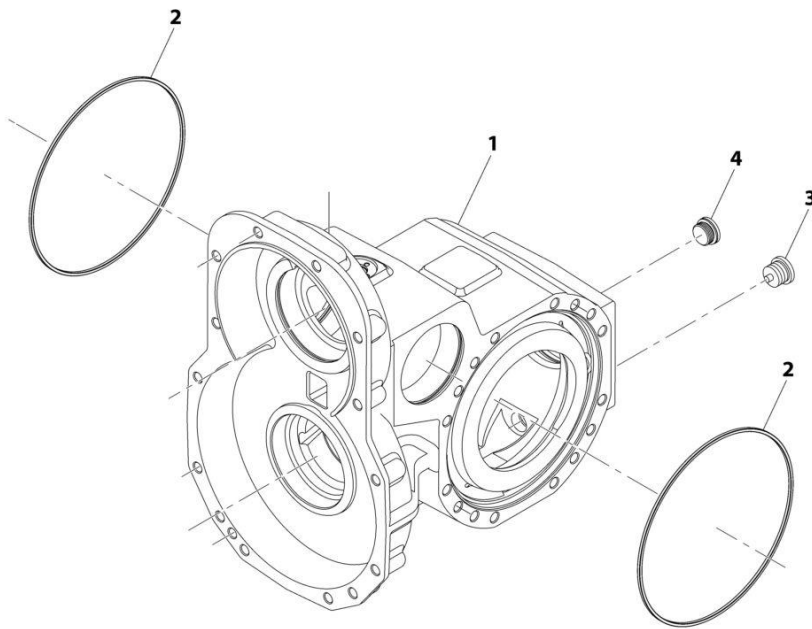
SECTION 5 - DRIVE TRAIN

FIGURE 5-3. FRONT AXLE

ITEM	PART NUMBER	QTY	DESCRIPTION	REV
	1007367100	Ref	Front Axle	D
		Ref	Front Axle, Central Housing (See Separate Breakdown in this Section)	
		Ref	Front Axle, Differential (See Separate Breakdown in this Section)	
		Ref	Front Axle, Hub Reduction (See Separate Breakdown in this Section)	
		Ref	Front Axle, Brakes (See Separate Breakdown in this Section)	
		Ref	Front Axle, Steering (See Separate Breakdown in this Section)	

SECTION 5 - DRIVE TRAIN

FIGURE 5-4. FRONT AXLE, CENTRAL HOUSING



ART_1007367100_1-D

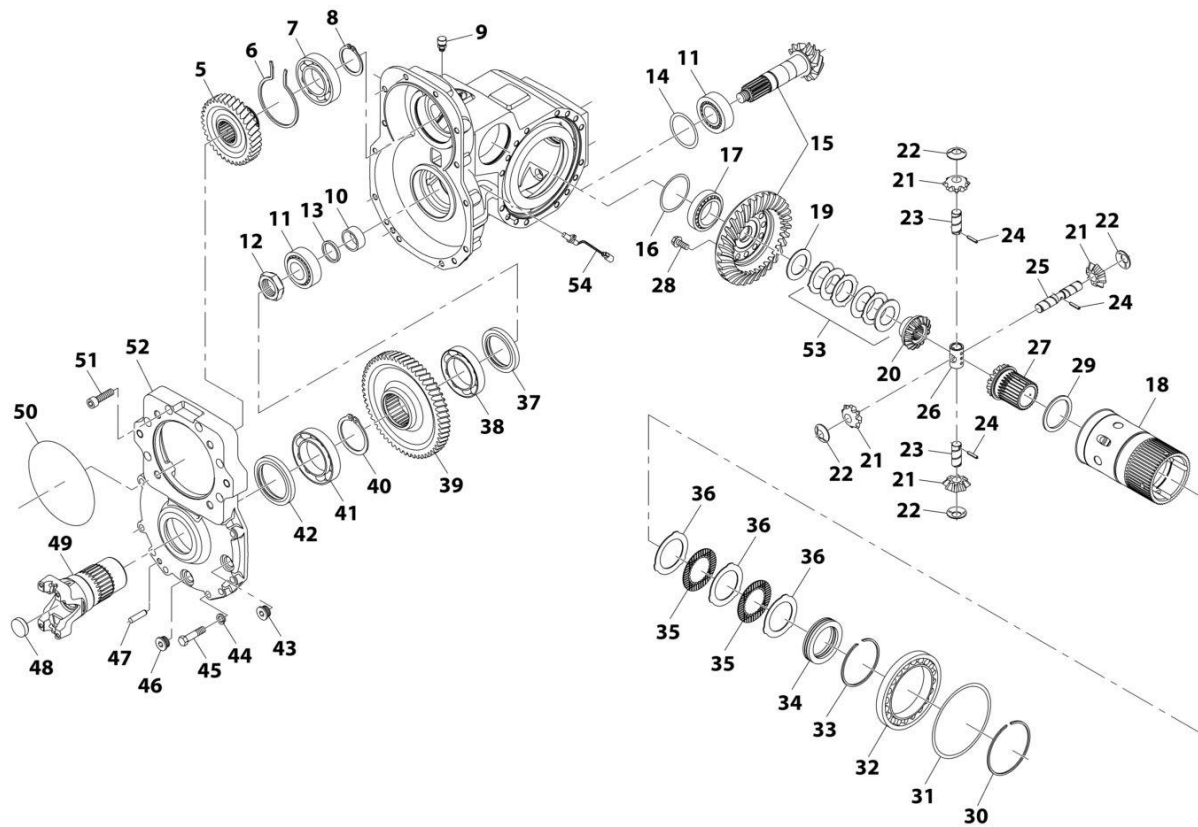
SECTION 5 - DRIVE TRAIN

FIGURE 5-4. FRONT AXLE, CENTRAL HOUSING

ITEM	PART NUMBER	QTY	DESCRIPTION	REV
1	70029265	1	Housing	
2	70021147	2	O-Ring	
3	7028706	1	Magnetic Plug	
4	91514188	1	Plug With Seal Washer	

SECTION 5 - DRIVE TRAIN

FIGURE 5-5. FRONT AXLE, DIFFERENTIAL



ART_1007367100_2-D

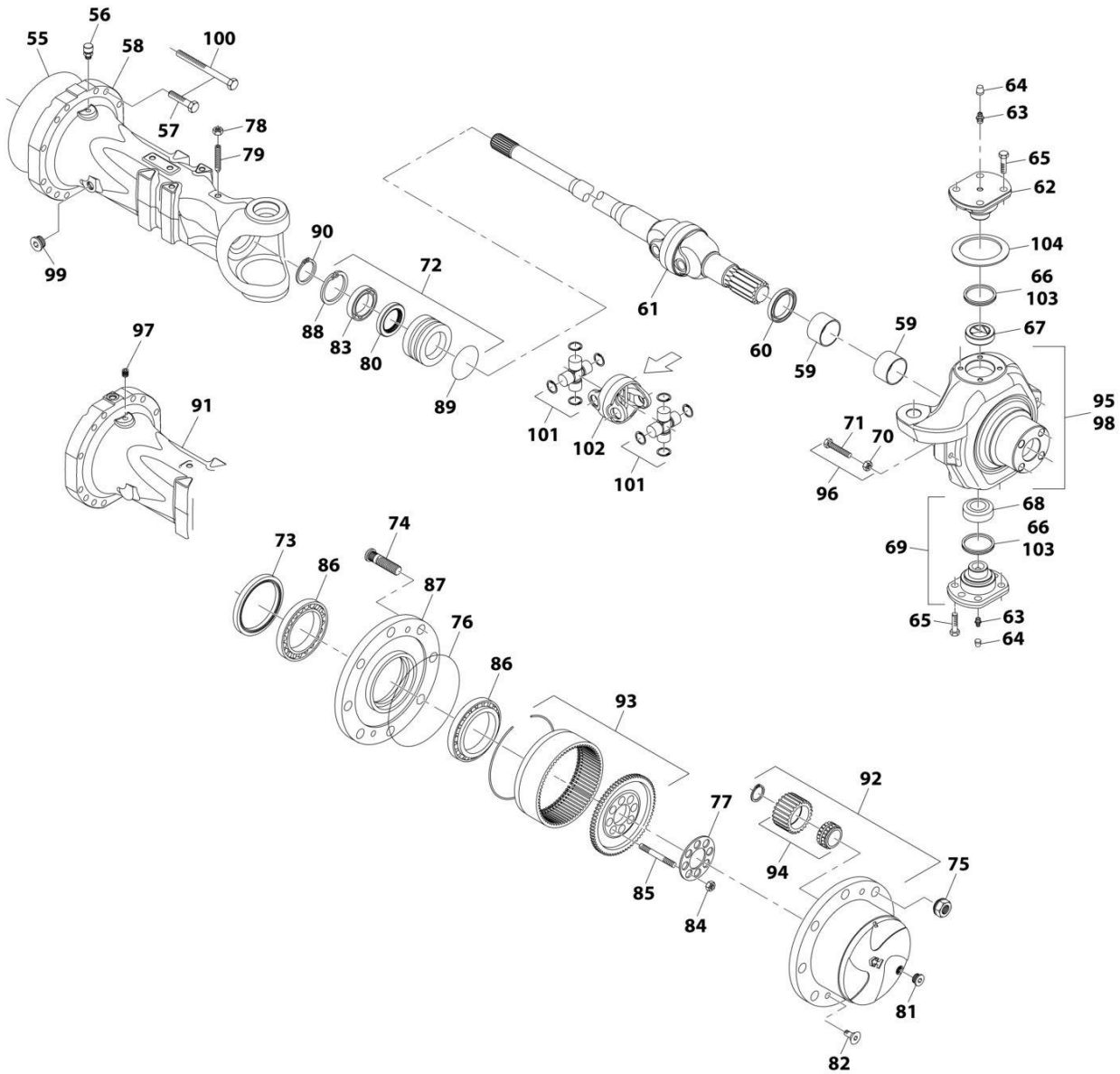
SECTION 5 - DRIVE TRAIN

FIGURE 5-5. FRONT AXLE, DIFFERENTIAL

ITEM	PART NUMBER	QTY	DESCRIPTION	REV
5	70024863	1	Gear	
6	70020230	1	Circlip	
7	70020231	1	Ball Bearing	
8	70020232	1	Circlip	
9	91474512	1	Plug	
10	70024864	1	Spacer	
11	70020234	2	Bearing	
12	70020235	1	Ring Nut	
13	70024927	1	Shim Kit	
14	70024866	1	Shim Kit	
15	70029266	1	Bevel Gear Set	
16	70024929	1	Shim Kit	
17	70020240	1	Tapered Roller Bearing	
18	70021939	1	Differential Carrier	
19	70029267	1	Friction Washer	
20	70020243	1	Differential Side Gear	
21	70020244	4	Differential Pinion	
22	70020245	4	Friction Washer	
23	70021929	2	Pin	
24	70020247	3	Dowel	
25	70021928	1	Pin	
26	70020249	1	Shaft Retainer	
27	70020250	1	Differential Side Gear	
28	70020251	12	Bolt	
29	70020252	1	Friction Washer	
30	70020253	1	Circlip	
31	70027859	1	Shim Kit	
32	3984301	1	Bearing	
33	70020255	1	Circlip	
34	70020256	1	Bearing	
35	70020257	7	Clutch Disc	
36	70020258	8	Intermediate Clutch	
37	70020259	1	Seal	
38	70020260	1	Ball Bearing	
39	70020261	1	Gear	
40	70020262	1	Circlip	
41	80204178	1	Ball Bearing	
42	70020263	1	Seal	
43	70028389	1	Plug	
44	80204147	8	Spring Washer	
45	70024873	8	Bolt	
46	70028388	1	Plug	
47	70020265	1	Dowel	
48	70020266	1	Plug	
49	70020267	1	Flange	
50	70024874	1	O-Ring	
51	70020269	6	Cylinder Bolt	
52	70024875	1	Cover	
53	70020271	1	Clutch Disc	
54	70029268	1	Speed Sensor	

SECTION 5 - DRIVE TRAIN

FIGURE 5-6. FRONT AXLE, HUB REDUCTION



ART_1007367100_3-D

SECTION 5 - DRIVE TRAIN

FIGURE 5-6. FRONT AXLE, HUB REDUCTION

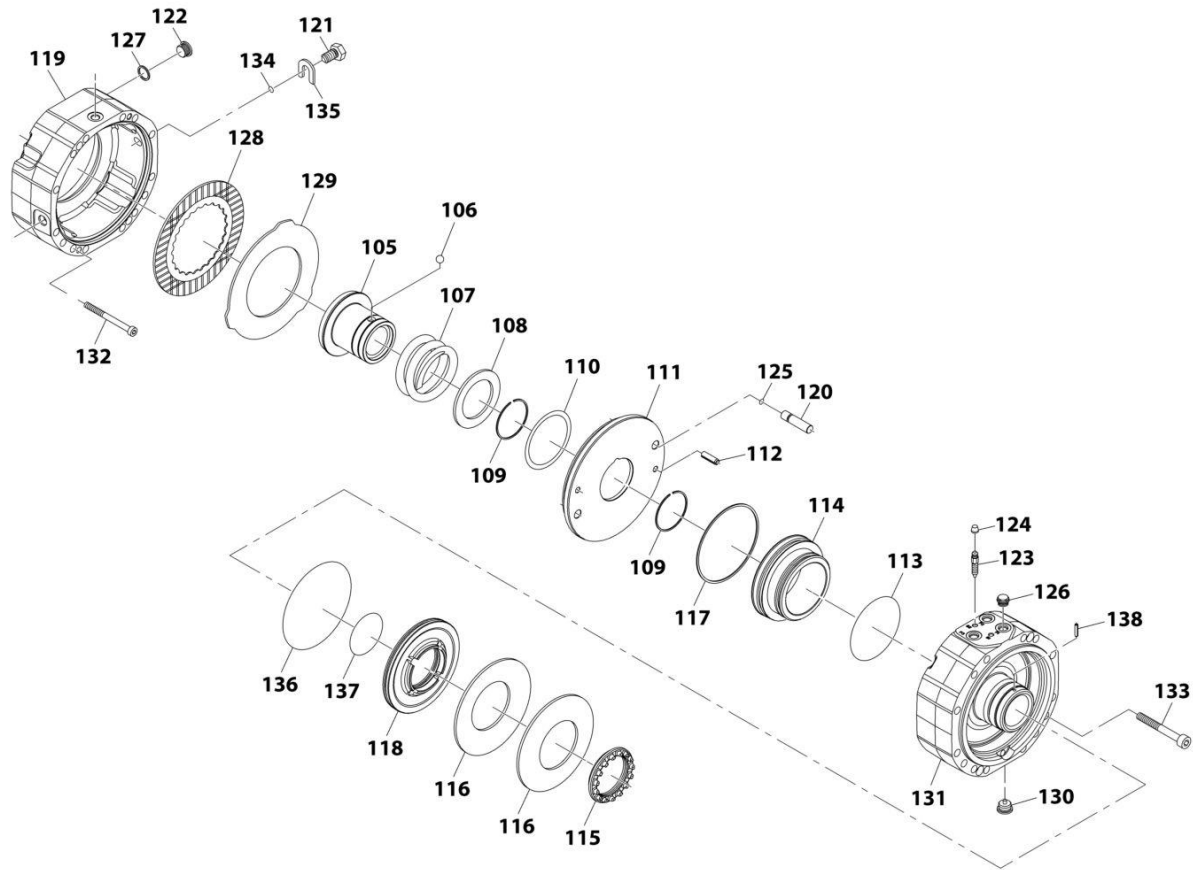
ITEM	PART NUMBER	QTY	DESCRIPTION	REV
55	70021147	2	O-Ring	
56	91474512	1	Vent	
57	70024878	14	Bolt	
58	70029269	1	Axle Case	
59	70021150	2	Thrust Bushing	
60	70021151	2	Seal	
61	70029270	2	Universal Joint & Shaft	
62	70029271	2	Pivot Pin	
63	70024881	4	Grease Fitting	
64	80204117	4	Plug	
65	70025562	20	Bolt	
66	70021155	2	Seal	
67	70029272	2	Reduction Bushing	
68	70029273	2	Articulation	
69	70029274	2	Pivot Pin	
70	80204065	4	Nut	
71	91514117	4	Bolt	
72	70029275	2	Reduction Bushing	
73	70029276	2	Seal	
74	70024883	16	Wheel Stud	
75	70026875	16	Nut	
76	91474507	2	O-Ring	
77	3983731	2	Locking Plate	
78	80204172	2	Nut	
79	70029277	2	Bolt	
80	70029278	2	Seal	
81	7028706	2	Magnetic Plug	
82	91514189	4	Countersunk Bolt	
83	70029279	2	Bearing	
84	91474584	8	Nut	
85	70027315	8	Stud	
86	3984301	4	Bearing	
87	70029280	2	Wheel Hub	
88	70029281	2	Circlip	
89	70029282	2	O-Ring	
90	70029283	2	Circlip	
91	70029284	1	Axle Case	
92	70029285	2	Planet Gear Carrier Kit (See Separate Breakdown in this Section)	
93	7029432	2	Ring Gear Support Kit (See Separate Breakdown in this Section)	
94	70027114	6	Planet Gear Kit	
95	70029286	1	Steering Case Kit (LF, RR) (See Separate Breakdown in this Section)	
96	7028733	4	Steering Adjust Bolt Kit	
97	80204012	1	Plug	
98	70029287	1	Steering Case Kit (RF, LR) (See Separate Breakdown in this Section)	
99	91514188	1	Plug W/ Sealing Washer	
100	70029288	14	Hex Bolt	
101	70029289	2	Joint Cross	
102	70029290	1	Joint Center Section	

SECTION 5 - DRIVE TRAIN

ITEM	PART NUMBER	QTY	DESCRIPTION	REV
103	70029291	2	Dust Excluder	
104	70029292	4	Spring	

SECTION 5 - DRIVE TRAIN

FIGURE 5-7. FRONT AXLE, BRAKES



ART_1007367100_4-D

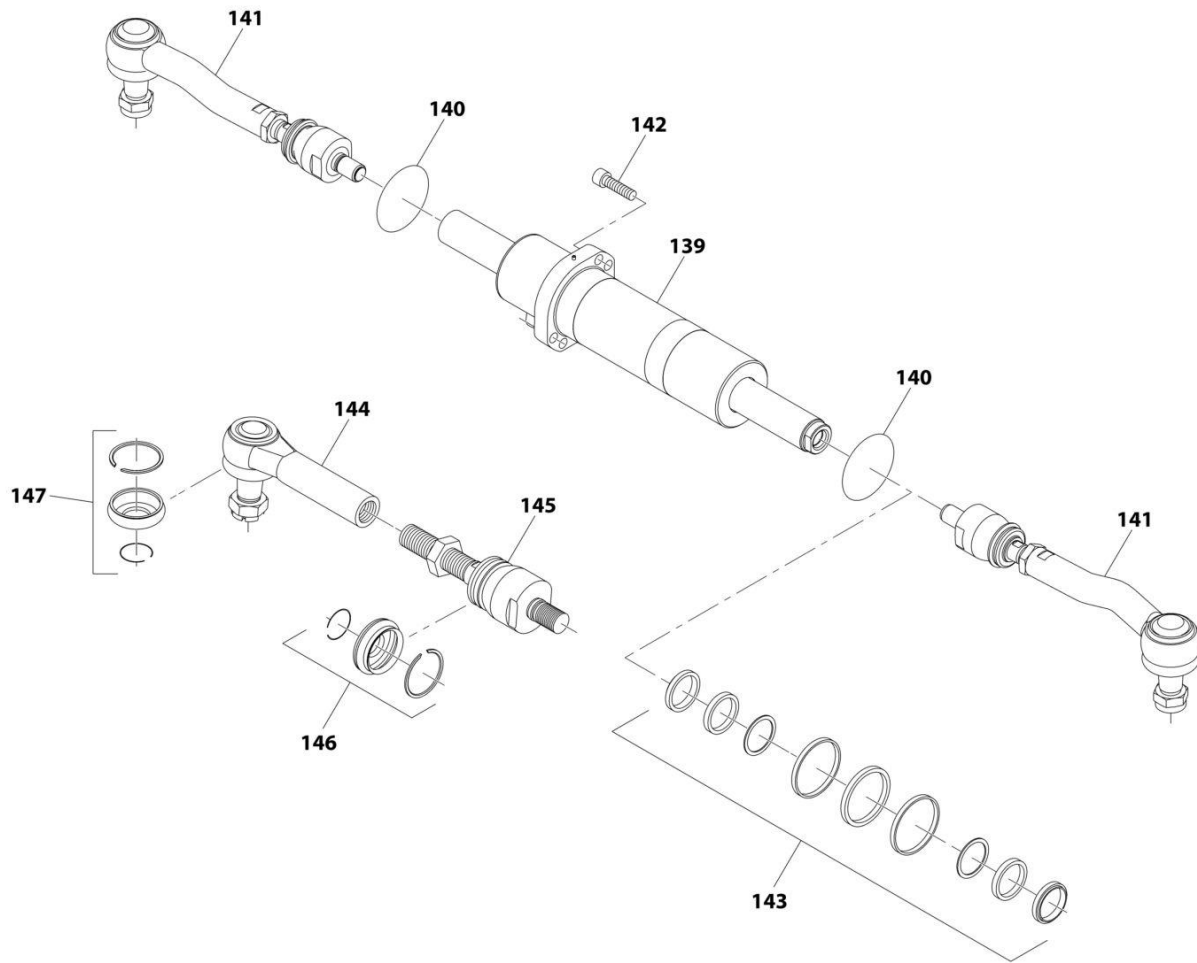
SECTION 5 - DRIVE TRAIN

FIGURE 5-7. FRONT AXLE, BRAKES

ITEM	PART NUMBER	QTY	DESCRIPTION	REV
105	70021942	1	Reduction Bushing	
106	70020276	2	Detend Ball	
107	70020285	1	Spring	
108	70021941	1	Spacer	
109	70020284	2	Circlip	
110	70027862	1	Shim Kit	
111	70021940	1	Intermediate Brake Disc	
112	70029293	2	Roll Pin	
113	70028884	1	O-Ring, Anti-Twist	
114	70020280	1	Piston	
115	70020296	1	Ring Nut	
116	70020295	2	Spring	
117	70026263	1	Seal	
118	70024897	1	Piston	
119	70029294	1	Steering Axle Housing	
120	70020291	3	Pin	
121	70020297	2	Bolt	
122	70029295	1	Plug	
123	80204281	2	Bleeding Bolt	
124	80204117	2	Plug	
125	70020290	3	O-Ring	
126	70020282	1	Plug	
127	70029296	1	Washer	
128	70020273	6	Brake Disc	
129	70024528	6	Disc, Intermediate Brake	
130	7028706	1	Magnetic Plug	
131	70029297	1	Steering Axle Housing	
132	70029298	2	Cylinder Bolt	
133	70029299	3	Cylinder Bolt	
134	80204111	2	O-Ring	
135	70020298	2	Spacer	
136	70020292	1	O-Ring	
137	70020293	1	O-Ring	
138	70020247	1	Dowel	

SECTION 5 - DRIVE TRAIN

FIGURE 5-8. FRONT AXLE, STEERING



ART_1007367100_5-D

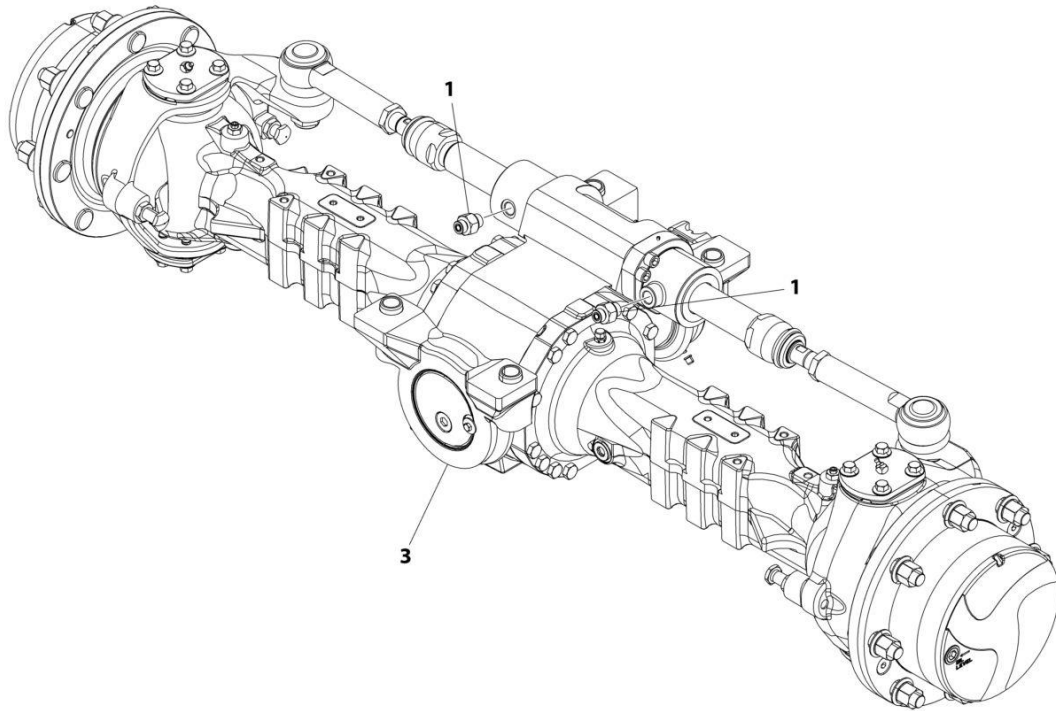
SECTION 5 - DRIVE TRAIN

FIGURE 5-8. FRONT AXLE, STEERING

ITEM	PART NUMBER	QTY	DESCRIPTION	REV
139	70023035	1	Steer Cylinder	
140	70020301	2	O-Ring	
141	70020302	2	Tie Rod	
142	70020269	4	Cylinder Bolt	
143	70023036	1	Seal Kit, Steer Cylinder	
144	70029300	1	Joint, 90 Degree	
145	70029301	1	Axle Joint	
146	70027866	1	Rubber Boot and Locking Ring Kit	
147	70027865	1	Rubber Boot and Locking Ring Kit	

SECTION 5 - DRIVE TRAIN

FIGURE 5-9. REAR AXLE ASSEMBLY



ART_1001233724-B

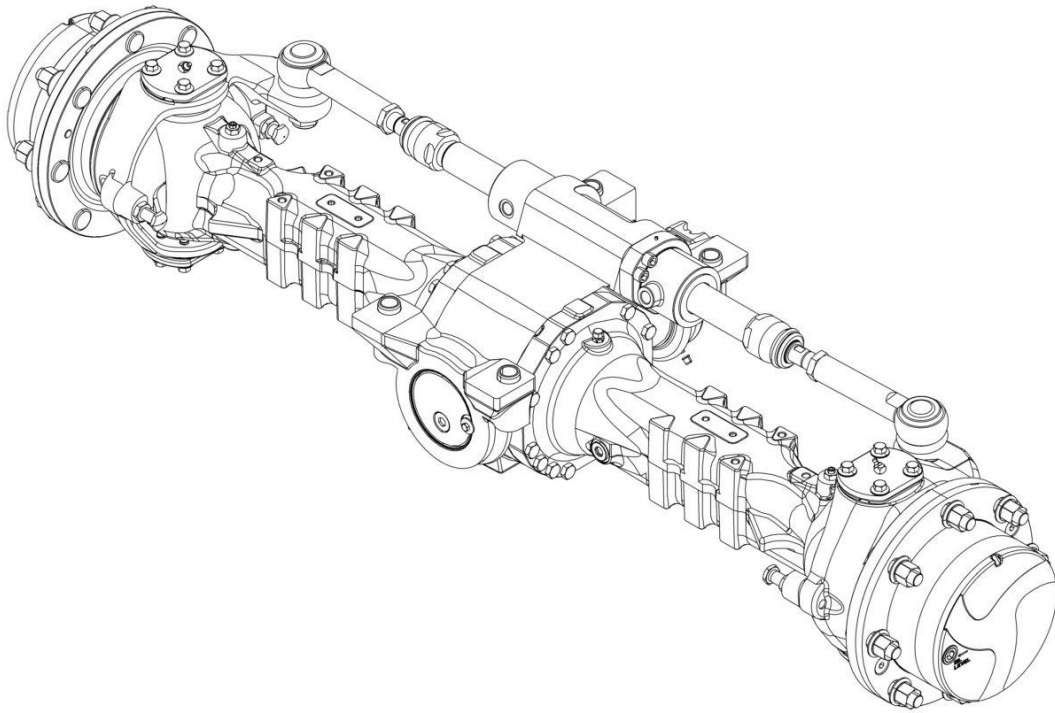
SECTION 5 - DRIVE TRAIN

FIGURE 5-9. REAR AXLE ASSEMBLY

ITEM	PART NUMBER	QTY	DESCRIPTION	REV
	1001233724	Ref	Rear Axle Assembly	B
1	1001081333	2	Fitting	
3	1007367300	1	Rear Axle (See Separate Breakdown in this Section)	

SECTION 5 - DRIVE TRAIN

FIGURE 5-10. REAR AXLE



ART_1007367300-D

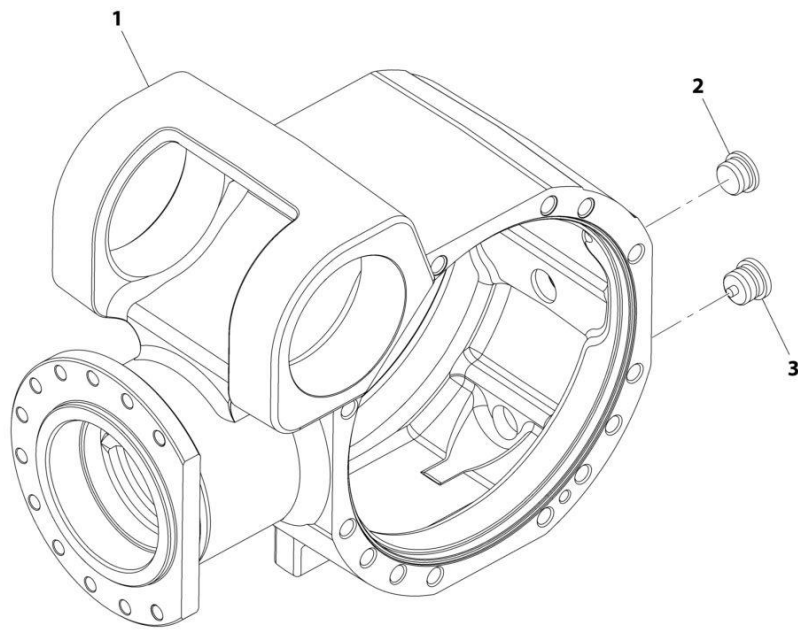
SECTION 5 - DRIVE TRAIN

FIGURE 5-10. REAR AXLE

ITEM	PART NUMBER	QTY	DESCRIPTION	REV
	1007367300	Ref	Rear Axle	D
		Ref	Rear Axle, Central Housing (See Separate Breakdown in this Section)	
		Ref	Rear Axle, Differential (See Separate Breakdown in this Section)	
		Ref	Rear Axle, Hub Reduction (See Separate Breakdown in this Section)	
		Ref	Rear Axle, Steering (See Separate Breakdown in this Section)	
		Ref	Rear Axle, Trunion (See Separate Breakdown in this Section)	

SECTION 5 - DRIVE TRAIN

FIGURE 5-11. REAR AXLE, CENTRAL HOUSING



ART_1007367300_1-D

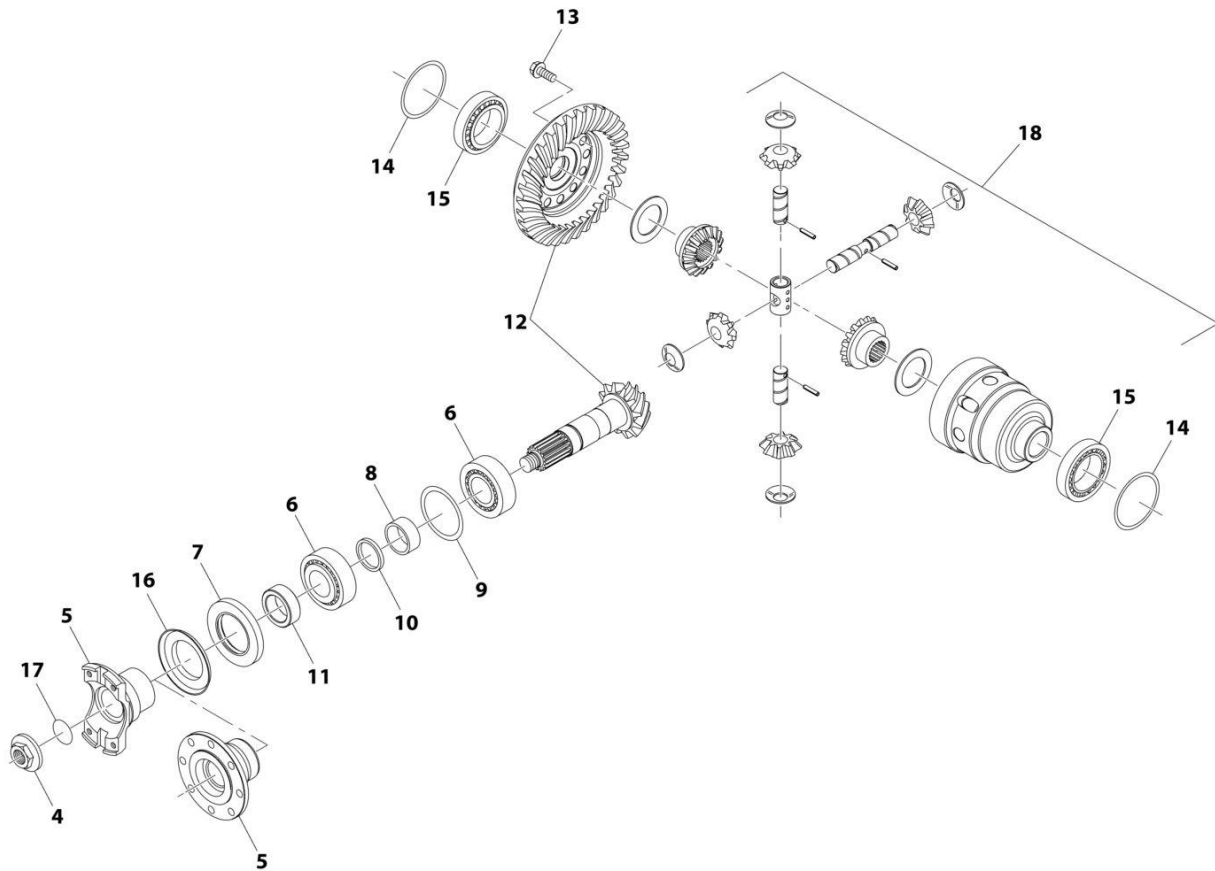
SECTION 5 - DRIVE TRAIN

FIGURE 5-11. REAR AXLE, CENTRAL HOUSING

ITEM	PART NUMBER	QTY	DESCRIPTION	REV
1	70029265	1	Housing	
2	91514188	1	Plug	
3	7028706	1	Magnetic Plug	

SECTION 5 - DRIVE TRAIN

FIGURE 5-12. REAR AXLE, DIFFERENTIAL



ART_1007367300_2-D

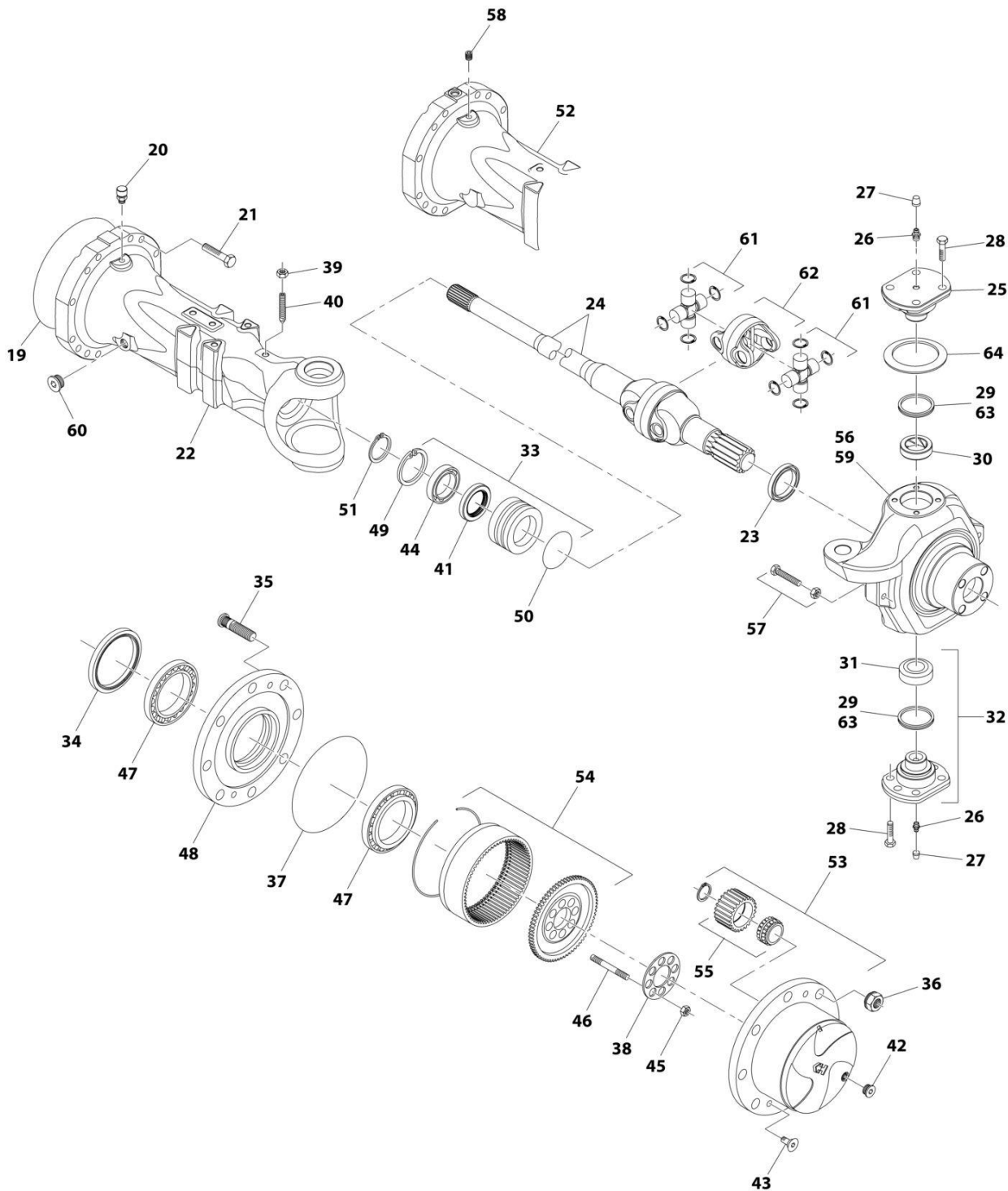
SECTION 5 - DRIVE TRAIN

FIGURE 5-12. REAR AXLE, DIFFERENTIAL

ITEM	PART NUMBER	QTY	DESCRIPTION	REV
4	80204213	1	Nut	
5	70020288	1	Flange	
6	70020234	2	Bearing	
7	91474532	1	Seal	
8	70020233	1	Spacer	
9	70024866	1	Shim Kit	
10	70024927	1	Shim Kit	
11	70020303	1	Spacer	
12	70029302	1	Bevel Gear Set	
13	70020251	12	Bolt	
14	70024929	1	Shim Kit	
15	70020240	2	Tapered Roller Bearing	
16	70021076	1	Cover Plate	
17	70021196	1	O-Ring	
18	70029303	1	Differential Kit (See Separate Breakdown in this Section)	

SECTION 5 - DRIVE TRAIN

FIGURE 5-13. REAR AXLE, HUB REDUCTION



ART_1007367300_3-D

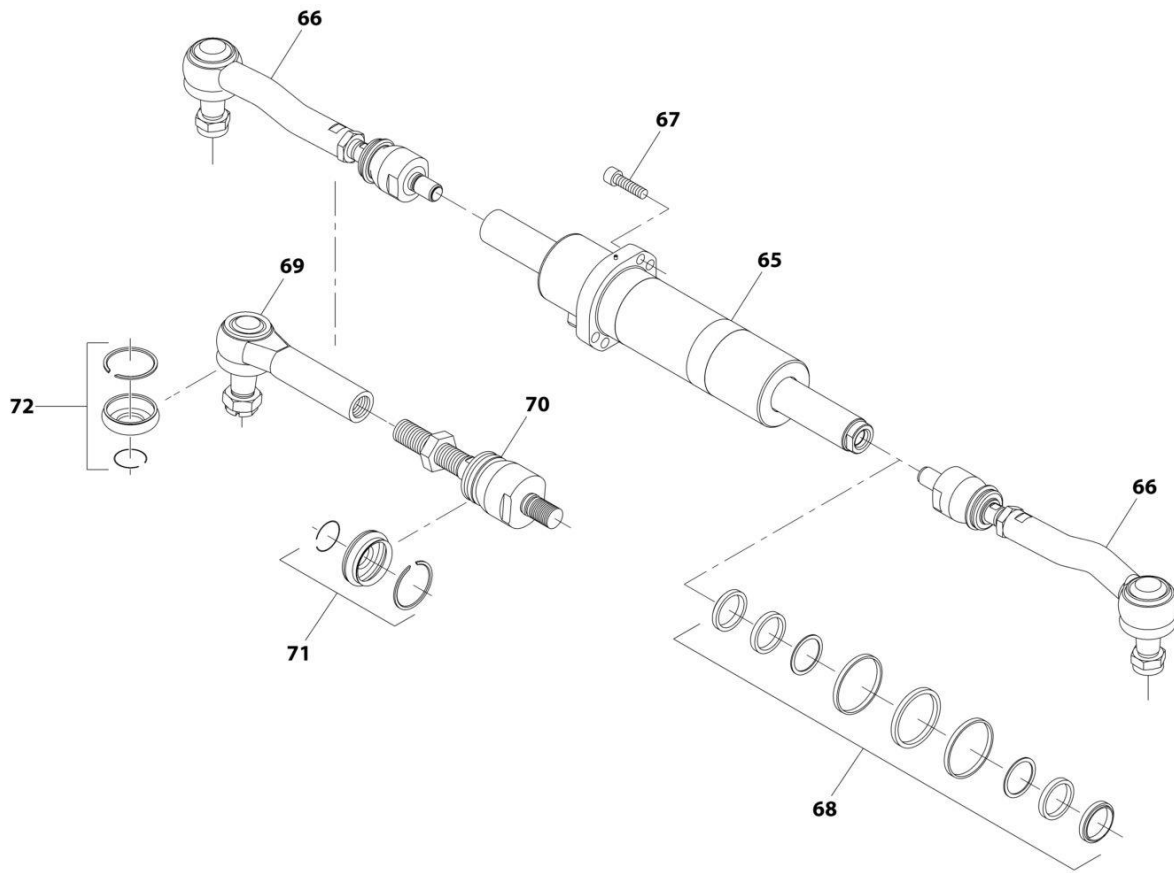
SECTION 5 - DRIVE TRAIN

FIGURE 5-13. REAR AXLE, HUB REDUCTION

ITEM	PART NUMBER	QTY	DESCRIPTION	REV
19	70021147	2	O-Ring	
20	91474512	1	Breather	
21	70024878	28	Bolt	
22	70029304	1	Axle Case	
23	70021151	2	Seal	
24	70029270	2	Universal Joint and Shaft	
25	70029271	2	Pivot Pin	
26	70024881	4	Grease Fitting	
27	80204117	4	Plug	
28	70025562	20	Bolt	
29	70021155	2	Seal	
30	70029272	2	Reduction Bushing	
31	70029273	2	Articulation	
32	70029274	2	Pivot Pin	
33	70029275	2	Reduction Bushing	
34	70029276	2	Seal	
35	70024883	16	Wheel Stud	
36	70026875	16	Nut	
37	91474507	2	O-Ring	
38	3983731	2	Locking Plate	
39	80204172	2	Nut	
40	70029277	2	Bolt	
41	70029278	2	Seal	
42	7028706	2	Magnetic Plug	
43	91514189	4	Bolt, Countersunk	
44	70029279	2	Bearing	
45	91474584	8	Nut	
46	70027315	8	Stud	
47	3984301	4	Bearing	
48	70029280	2	Wheel Hub	
49	70029281	2	Circlip	
50	70029282	2	O-Ring	
51	70029283	2	Circlip	
52	70029284	1	Axle Case	
53	70029285	2	Planet Gear Carrier Kit (See Separate Breakdown in this Section)	
54	7029432	2	Ring Gear Support Assembly (See Separate Breakdown in this Section)	
55	70027114	6	Kit, Planet Gear	
56	70029286	1	Steering Case Kit (LF, RR) (See Separate Breakdown in this Section)	
57	7028733	4	Steering Adjust Bolt Kit	
58	80204012	1	Plug	
59	70029287	1	Steering Case Kit (RF, LR) (See Separate Breakdown in this Section)	
60	70028389	1	Plug	
61	70029289	2	Joint Cross	
62	70029290	1	Joint Center Section	
63	70029291	2	Dust Excluder	
64	70029292	4	Spring	

SECTION 5 - DRIVE TRAIN

FIGURE 5-14. REAR AXLE, STEERING



ART_1007367300_4-D

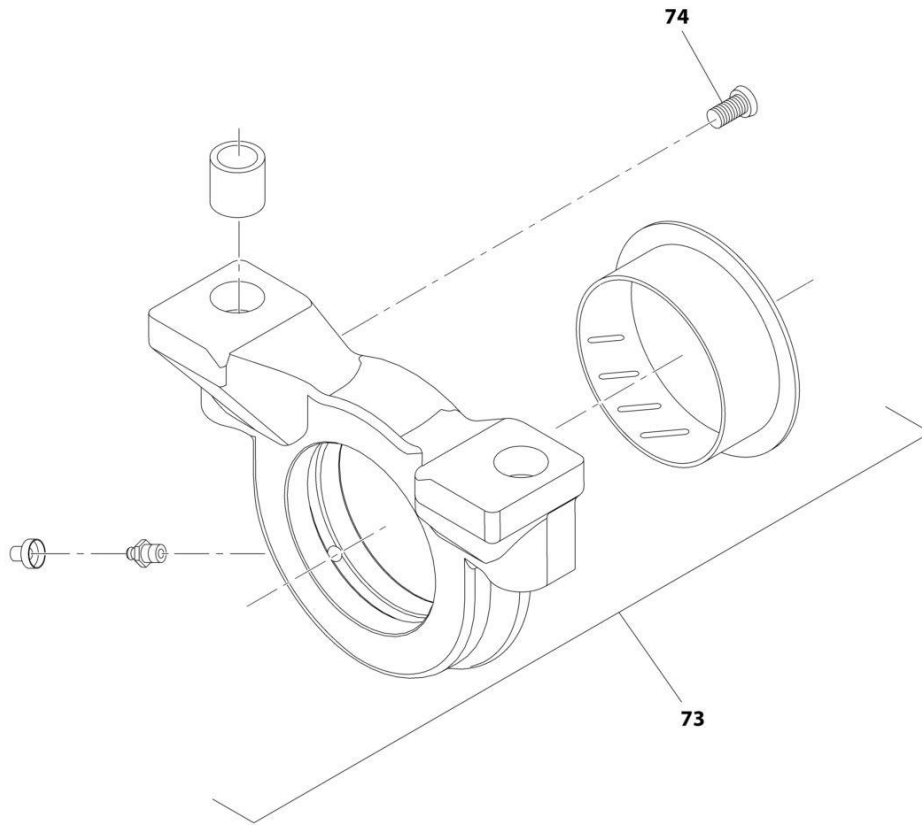
SECTION 5 - DRIVE TRAIN

FIGURE 5-14. REAR AXLE, STEERING

ITEM	PART NUMBER	QTY	DESCRIPTION	REV
65	70023035	1	Steer Cylinder	
66	70020302	2	Tie Rod	
67	70020269	4	Cylinder Bolt	
68	70023036	1	Seal Kit, Steer Cylinder	
69	70029300	1	Joint, 90 Degree	
70	70029301	1	Axle Joint	
71	70027866	1	Rubber Boot and Locking Ring Kit	
72	70027865	1	Rubber Boot and Locking Ring Kit	

SECTION 5 - DRIVE TRAIN

FIGURE 5-15. REAR AXLE, TRUNION



ART_1007367300_5-D

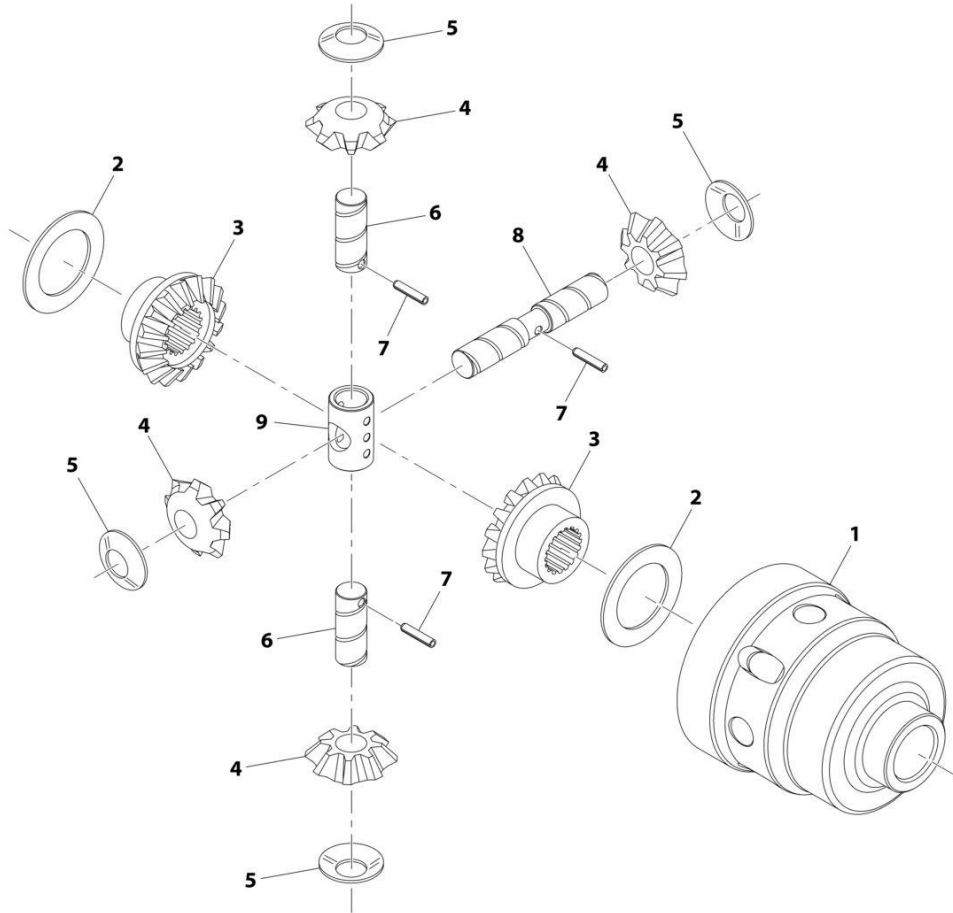
SECTION 5 - DRIVE TRAIN

FIGURE 5-15. REAR AXLE, TRUNION

ITEM	PART NUMBER	QTY	DESCRIPTION	REV
73	70021200	2	Support Assembly	
74	70028535	2	Bolt	

SECTION 5 - DRIVE TRAIN

FIGURE 5-16. DIFFERENTIAL KIT



ART_70029303

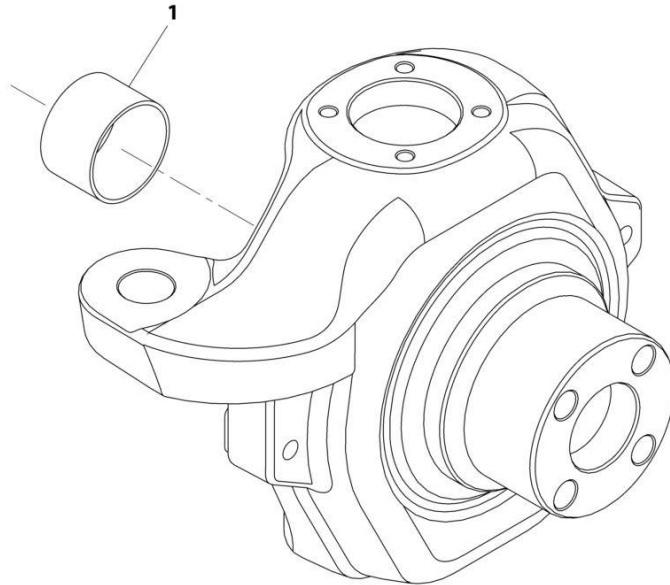
SECTION 5 - DRIVE TRAIN

FIGURE 5-16. DIFFERENTIAL KIT

ITEM	PART NUMBER	QTY	DESCRIPTION	REV
	70029303	Ref	Differential Kit	
1	70020346	1	Differential Carrier	
2	70029267	2	Friction Washer	
3	70021221	2	Differential Side Gear	
4	70020244	4	Differential Pinion	
5	70020245	4	Friction Washer	
6	70021929	2	Pin	
7	70020247	3	Dowel	
8	70021928	1	Pin	
9	70020249	1	Shaft Retainer	

SECTION 5 - DRIVE TRAIN

FIGURE 5-17. STEERING CASE KIT (LF/RR)



ART_70029286

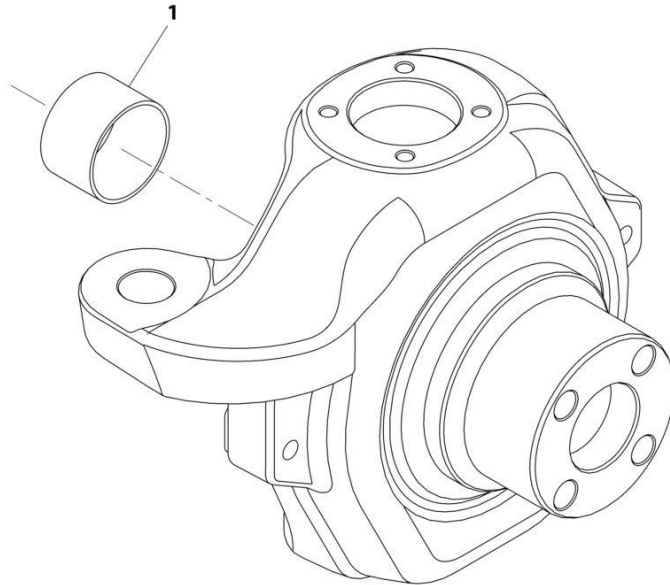
SECTION 5 - DRIVE TRAIN

FIGURE 5-17. STEERING CASE KIT (LF/RR)

ITEM	PART NUMBER	QTY	DESCRIPTION	REV
1	70029286	Ref	Steering Case Kit (LF, RR)	
	70021150	2	Thrust Bushing	

SECTION 5 - DRIVE TRAIN

FIGURE 5-18. STEERING CASE KIT (RF/LR)



ART_70029287

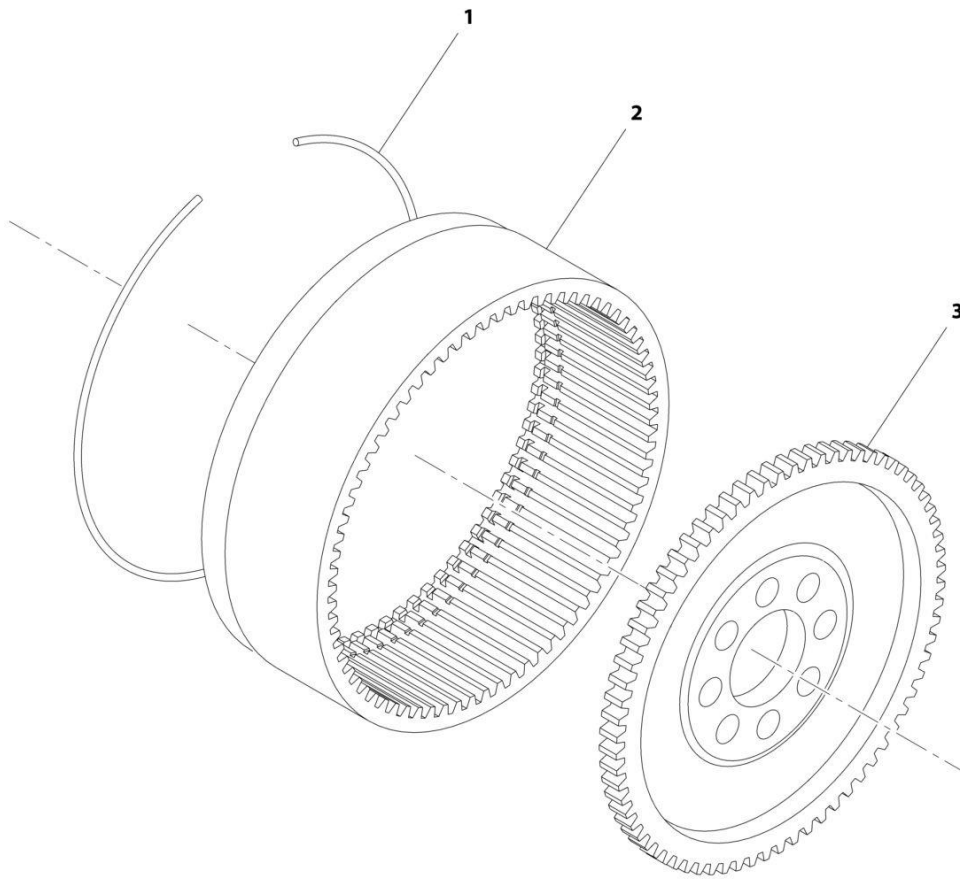
SECTION 5 - DRIVE TRAIN

FIGURE 5-18. STEERING CASE KIT (RF/LR)

ITEM	PART NUMBER	QTY	DESCRIPTION	REV
1	70029287	Ref	Steering Case Kit (RF, LR)	
	70021150	2	Thrust Bushing	

SECTION 5 - DRIVE TRAIN

FIGURE 5-19. RING GEAR SUPPORT KIT



ART_7029432

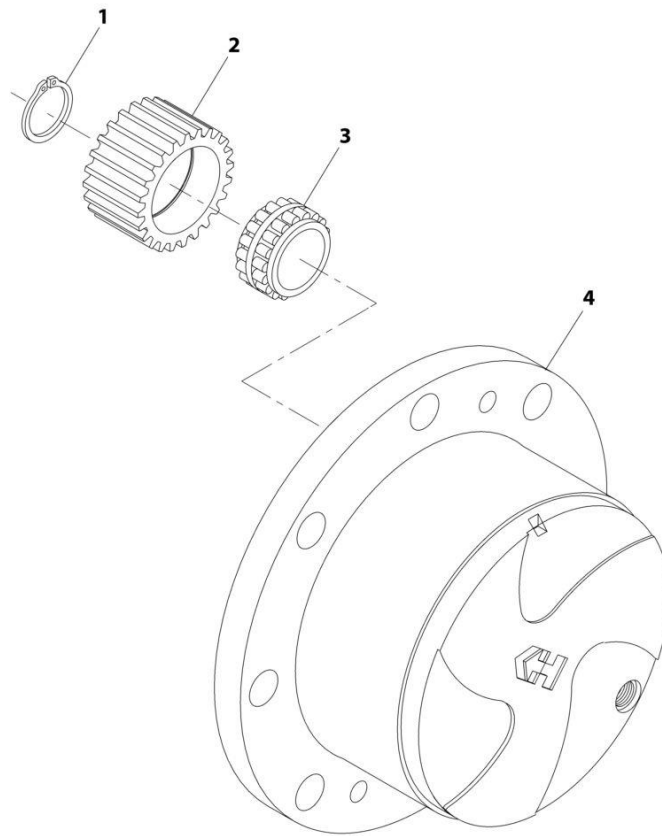
SECTION 5 - DRIVE TRAIN

FIGURE 5-19. RING GEAR SUPPORT KIT

ITEM	PART NUMBER	QTY	DESCRIPTION	REV
	7029432	Ref	Ring Gear Support Kit	
1	91474579	1	Circlip	
2	91474580	1	Ring Gear	
3	3983720	1	Ring Gear Support	

SECTION 5 - DRIVE TRAIN

FIGURE 5-20. PLANET GEAR CARRIER KIT



ART_70029285

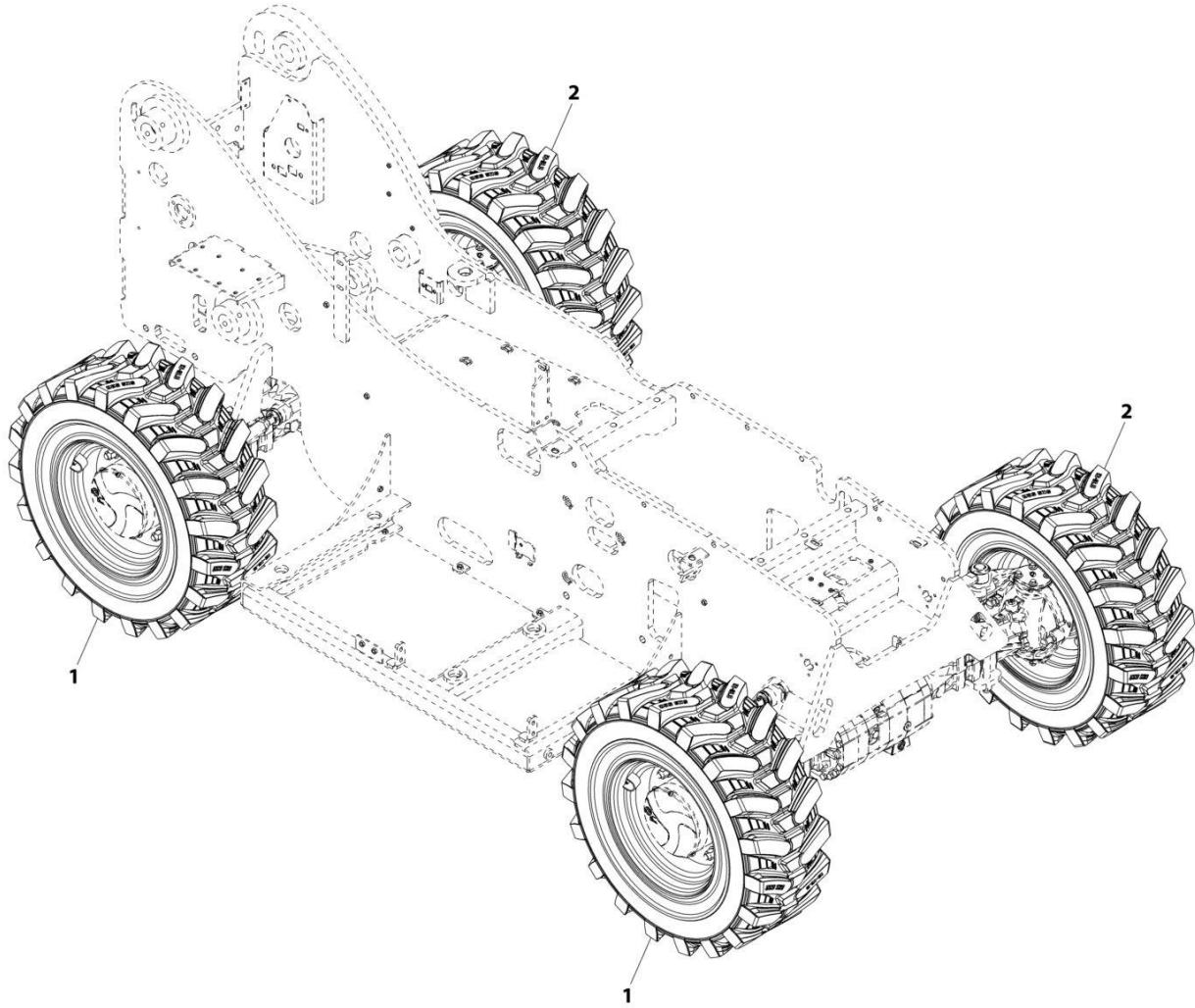
SECTION 5 - DRIVE TRAIN

FIGURE 5-20. PLANET GEAR CARRIER KIT

ITEM	PART NUMBER	QTY	DESCRIPTION	REV
	70029285	Ref	Planet Gear Carrier Kit	
1	91474585	3	Circlip	
2	70028473	6	Planet Gear	
3	70028474	6	Bearing	
4	70024888	1	Planet Gear Carrier	

SECTION 5 - DRIVE TRAIN

FIGURE 5-21. TIRE/WHEEL SET, CAMSO (AIR 12-16.5 - 12 PLY)



ART_1001236316-A

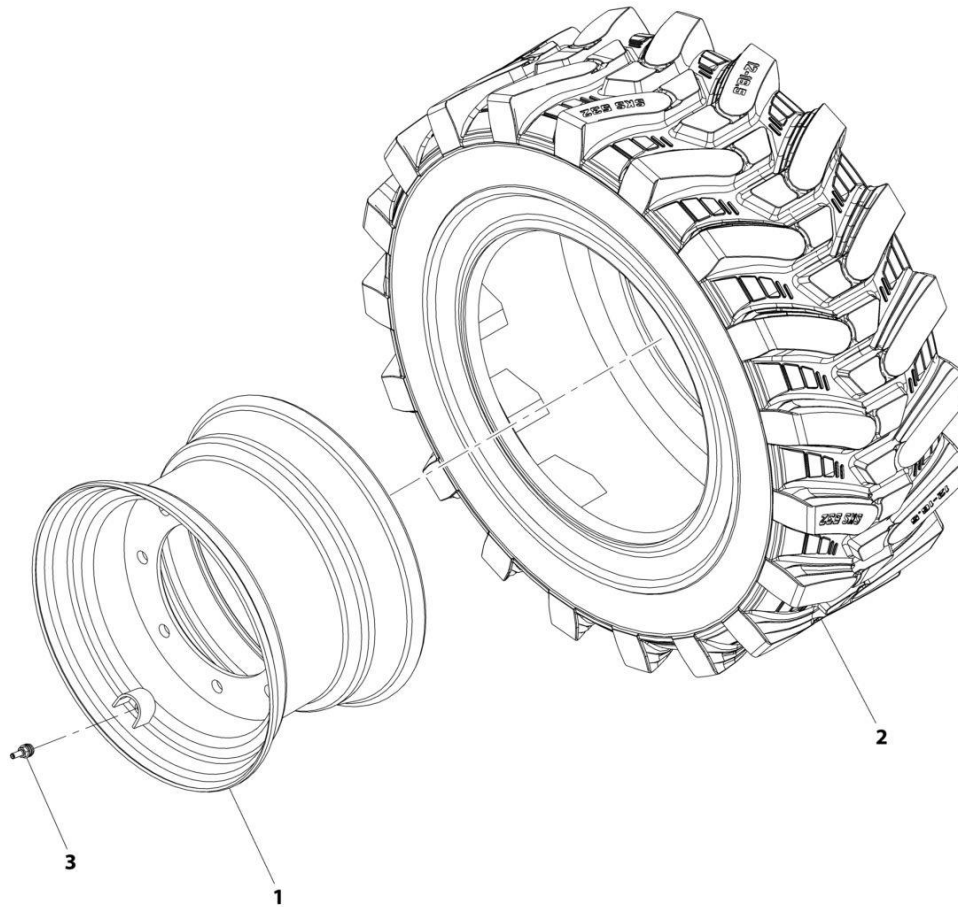
SECTION 5 - DRIVE TRAIN

FIGURE 5-21. TIRE/WHEEL SET, CAMSO (AIR 12-16.5 - 12 PLY)

ITEM	PART NUMBER	QTY	DESCRIPTION	REV
1	1001236316	Ref	Tire/Wheel Set, Camso (Air 12-16.5 - 12 PLY)	A
	1001236666	2	Right Tire/Wheel Assembly, Camso (Air 12-16.5 - 12 Ply) (See Separate Breakdown in this Section)	
2	1001236667	2	Left Tire/Wheel Assembly, Camso (Air 12-16.5 - 12 Ply) (See Separate Breakdown in this Section)	

SECTION 5 - DRIVE TRAIN

FIGURE 5-22. RIGHT TIRE/WHEEL ASSEMBLY, CAMSO (AIR 12-16.5 - 12 PLY)



ART_1001236666-A

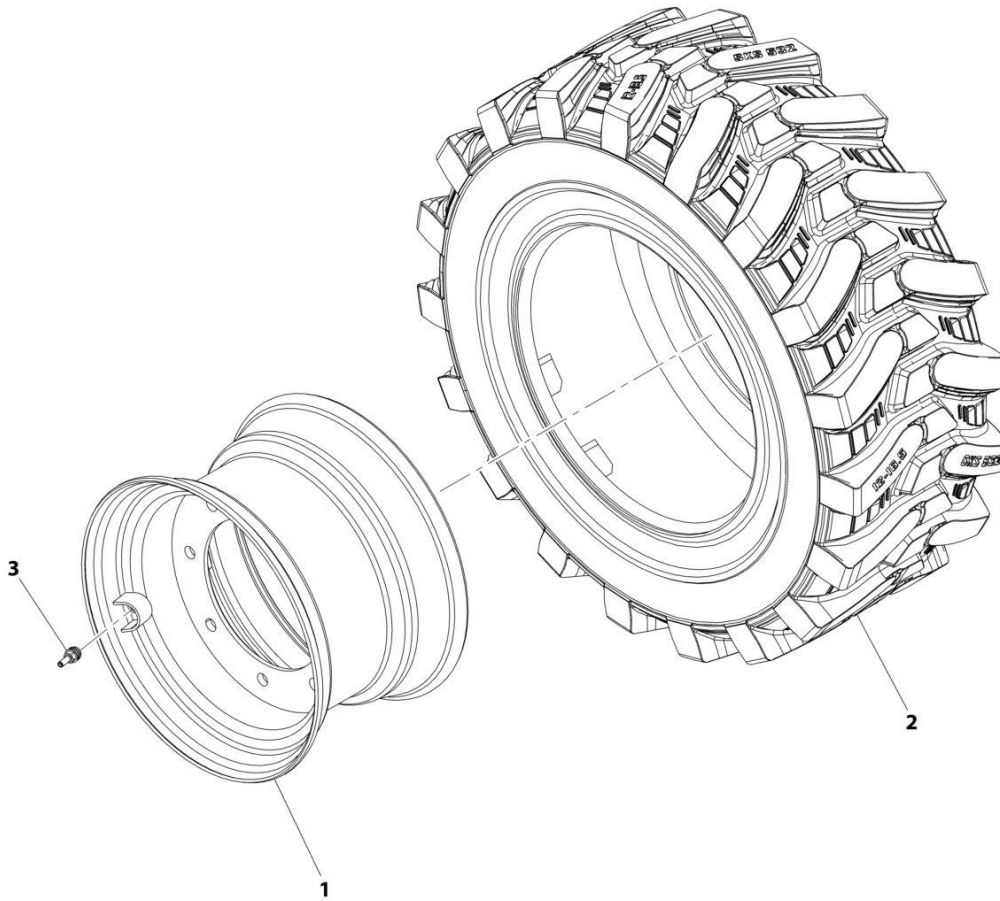
SECTION 5 - DRIVE TRAIN

FIGURE 5-22. RIGHT TIRE/WHEEL ASSEMBLY, CAMSO (AIR 12-16.5 - 12 PLY)

ITEM	PART NUMBER	QTY	DESCRIPTION	REV
	1001236666	Ref	Right Tire/Wheel Assembly, Camso (Air 12-16.5 - 12 PLY)	A
1	1001139975	1	Wheel, 16.5X9.75	
2	1001232351	1	Tire, 12-16.5 - 12 Ply	
3	4640163	1	Tire Valve	

SECTION 5 - DRIVE TRAIN

FIGURE 5-23. LEFT TIRE/WHEEL ASSEMBLY, CAMSO (AIR 12-16.5 - 12 PLY)



ART_1001236667-A

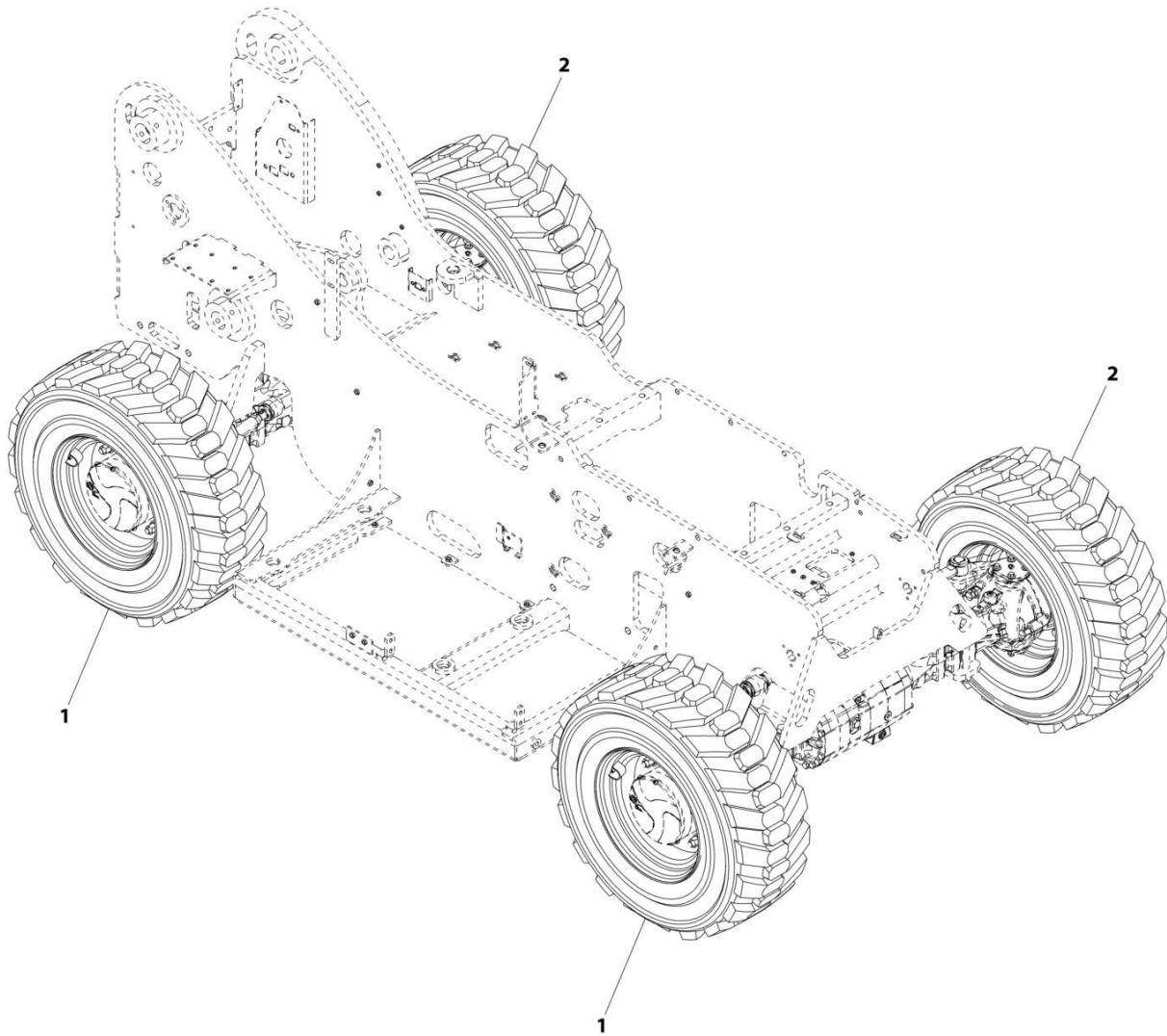
SECTION 5 - DRIVE TRAIN

FIGURE 5-23. LEFT TIRE/WHEEL ASSEMBLY, CAMSO (AIR 12-16.5 - 12 PLY)

ITEM	PART NUMBER	QTY	DESCRIPTION	REV
	1001236667	Ref	Left Tire/Wheel Assembly, Camso (Air 12-16.5 - 12 PLY)	A
1	1001139975	1	Wheel, 16.5X9.75	
2	1001232351	1	Tire, 12-16.5 - 12 Ply	
3	4640163	1	Tire Valve	

SECTION 5 - DRIVE TRAIN

FIGURE 5-24. TIRE/WHEEL SET, FIRESTONE (AIR 12-16.5 - 12 PLY)



ART_1001236320-A

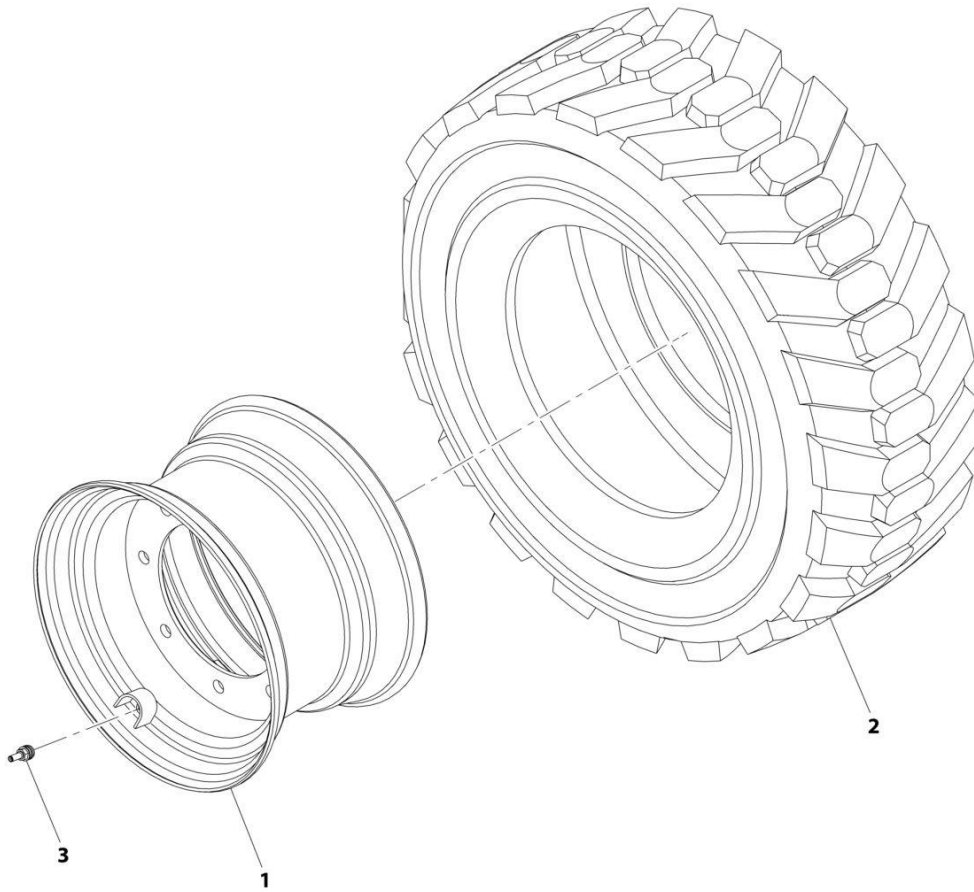
SECTION 5 - DRIVE TRAIN

FIGURE 5-24. TIRE/WHEEL SET, FIRESTONE (AIR 12-16.5 - 12 PLY)

ITEM	PART NUMBER	QTY	DESCRIPTION	REV
1	1001236320	Ref	Tire/Wheel Set, Firestone (Air 12-16.5 - 12 PLY)	A
	1001140684	2	Right Tire/Wheel Assembly, Firestone (Air 12-16.5 - 12 Ply) (See Separate Breakdown in this Section)	
2	1001140698	2	Left Tire/Wheel Assembly, Firestone (Air 12-16.5 - 12 Ply) (See Separate Breakdown in this Section)	

SECTION 5 - DRIVE TRAIN

FIGURE 5-25. RIGHT TIRE/WHEEL ASSEMBLY, FIRESTONE (AIR 12-16.5 - 12 PLY)



ART_1001140684-E

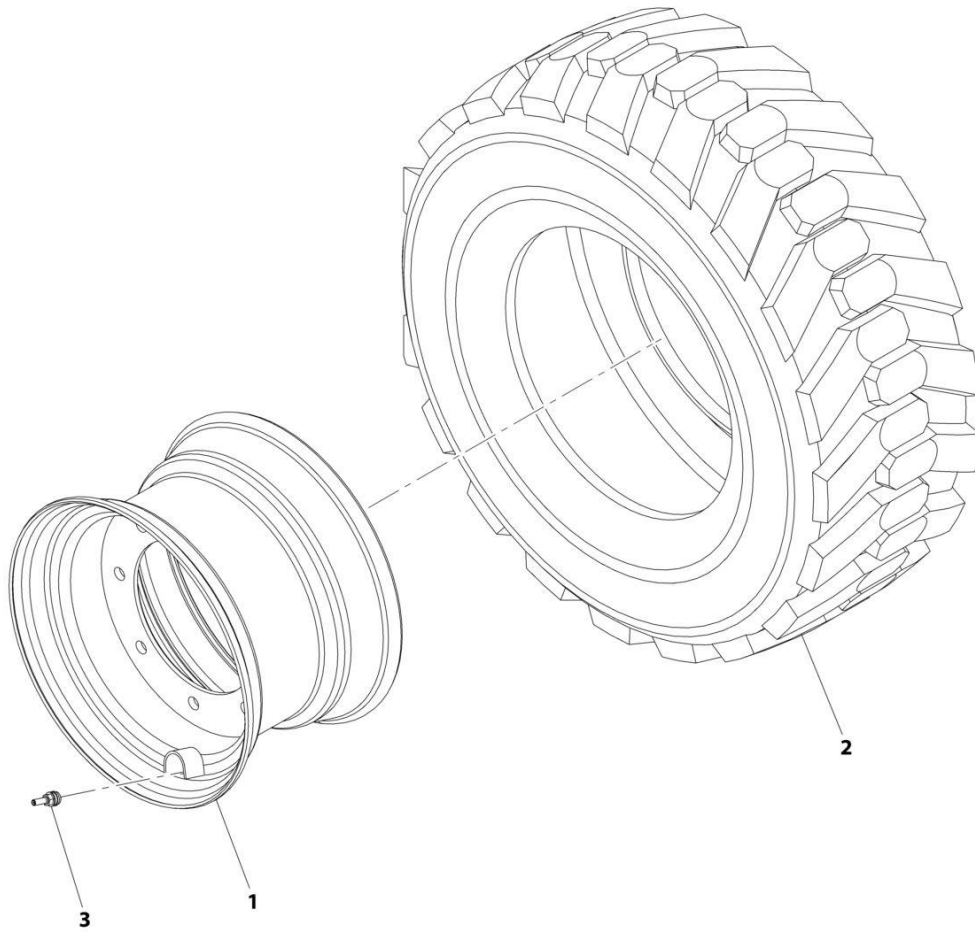
SECTION 5 - DRIVE TRAIN

FIGURE 5-25. RIGHT TIRE/WHEEL ASSEMBLY, FIRESTONE (AIR 12-16.5 - 12 PLY)

ITEM	PART NUMBER	QTY	DESCRIPTION	REV
	1001140684	Ref	Right Tire/Wheel Assembly, Firestone (Air 12-16.5 - 12 PLY)	E
1	1001139975	1	Wheel, 16.5X9.75	
2	1001081222	1	Tire, 12-16.5 NHS	
3	4640163	1	Tire Valve	

SECTION 5 - DRIVE TRAIN

FIGURE 5-26. LEFT TIRE/WHEEL ASSEMBLY, FIRESTONE (AIR 12-16.5 - 12 PLY)



ART_1001140698-F

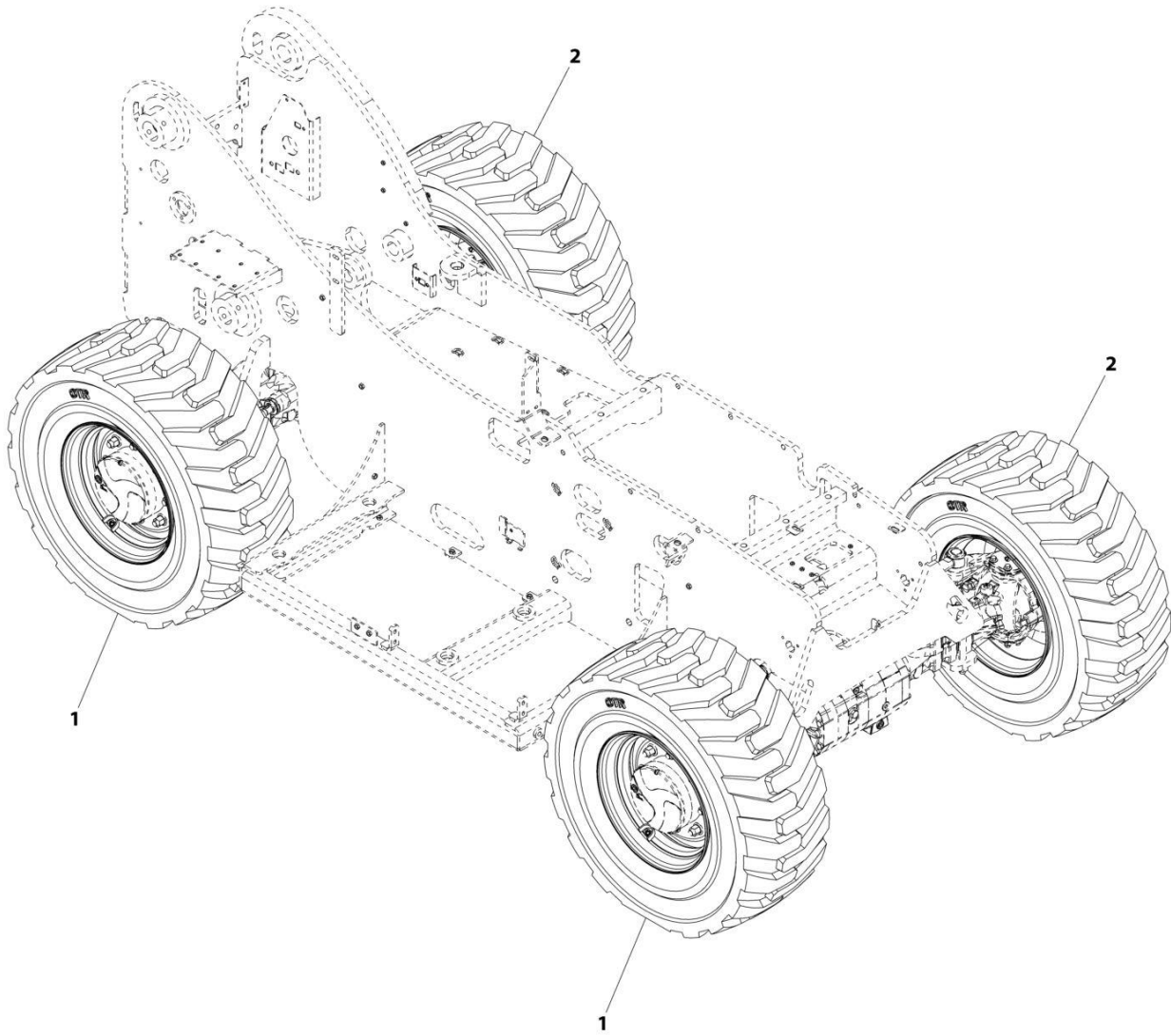
SECTION 5 - DRIVE TRAIN

FIGURE 5-26. LEFT TIRE/WHEEL ASSEMBLY, FIRESTONE (AIR 12-16.5 - 12 PLY)

ITEM	PART NUMBER	QTY	DESCRIPTION	REV
	1001140698	Ref	Left Tire/Wheel Assembly, Firestone (Air 12-16.5 - 12 PLY)	F
1	1001139975	1	Wheel, 16.5X9.75	
2	1001081222	1	Tire, 12-16.5 NHS	
3	4640163	1	Tire Valve	

SECTION 5 - DRIVE TRAIN

FIGURE 5-27. TIRE/WHEEL SET (AIR 14-17.5 - 12 PLY)



ART_1001236317-A

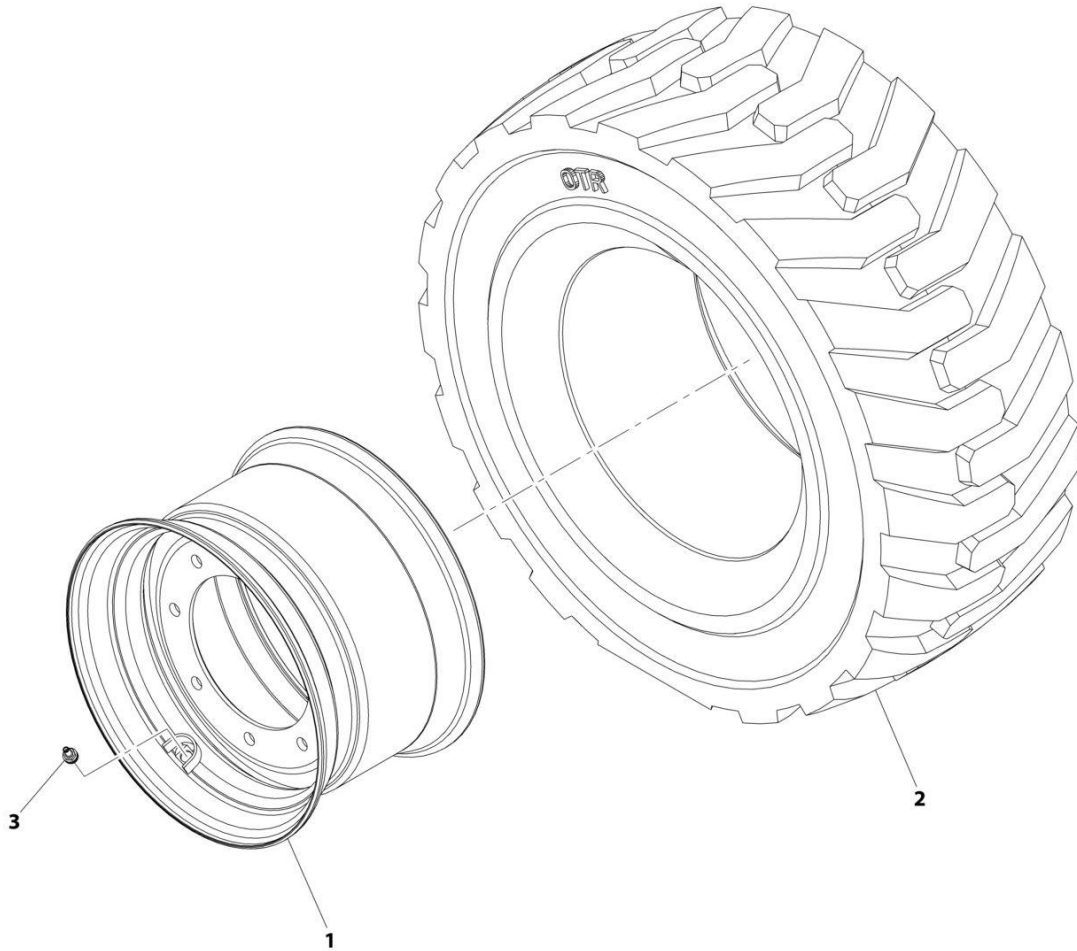
SECTION 5 - DRIVE TRAIN

FIGURE 5-27. TIRE/WHEEL SET (AIR 14-17.5 - 12 PLY)

ITEM	PART NUMBER	QTY	DESCRIPTION	REV
1	1001236317	Ref	Tire/Wheel Set (Air 14-17.5 - 12 PLY)	A
	1001140686	2	Right Tire/Wheel Assembly (Air 12-16.5 - 12 Ply) (See Separate Breakdown in this Section)	
2	1001140700	2	Left Tire/Wheel Assembly (Air 12-16.5 - 12 Ply) (See Separate Breakdown in this Section)	

SECTION 5 - DRIVE TRAIN

FIGURE 5-28. RIGHT TIRE/WHEEL ASSEMBLY (AIR 12-16.5 - 12 PLY)



ART_1001140686-F

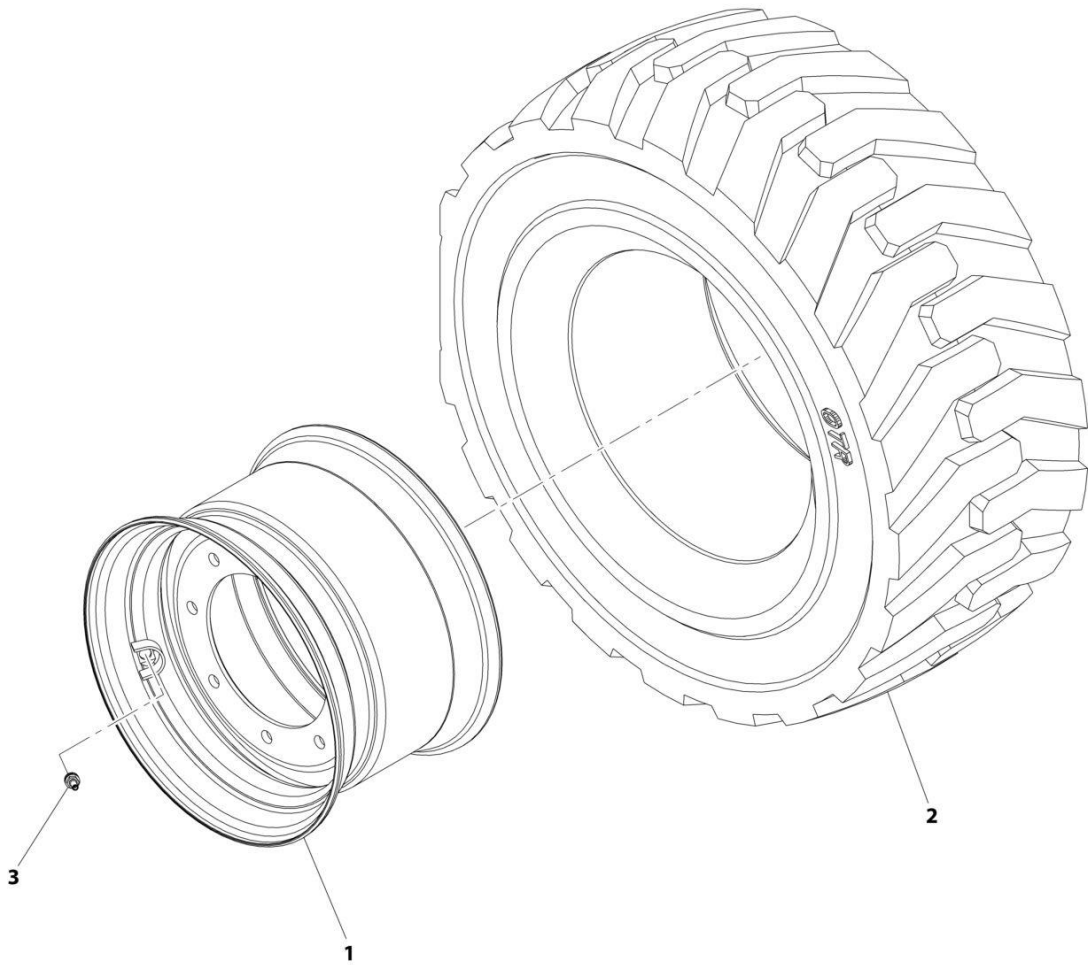
SECTION 5 - DRIVE TRAIN

FIGURE 5-28. RIGHT TIRE/WHEEL ASSEMBLY (AIR 12-16.5 - 12 PLY)

ITEM	PART NUMBER	QTY	DESCRIPTION	REV
	1001140686	Ref	Right Tire/Wheel Assembly (Air 12-16.5 - 12 PLY)	F
1	1001139974	1	Wheel, 17.5X10.5	
2	4520259	1	Tire, 14X17.5	
3	4640163	1	Tire Valve	

SECTION 5 - DRIVE TRAIN

FIGURE 5-29. LEFT TIRE/WHEEL ASSEMBLY (AIR 12-16.5 - 12 PLY)



ART_1001140700-F

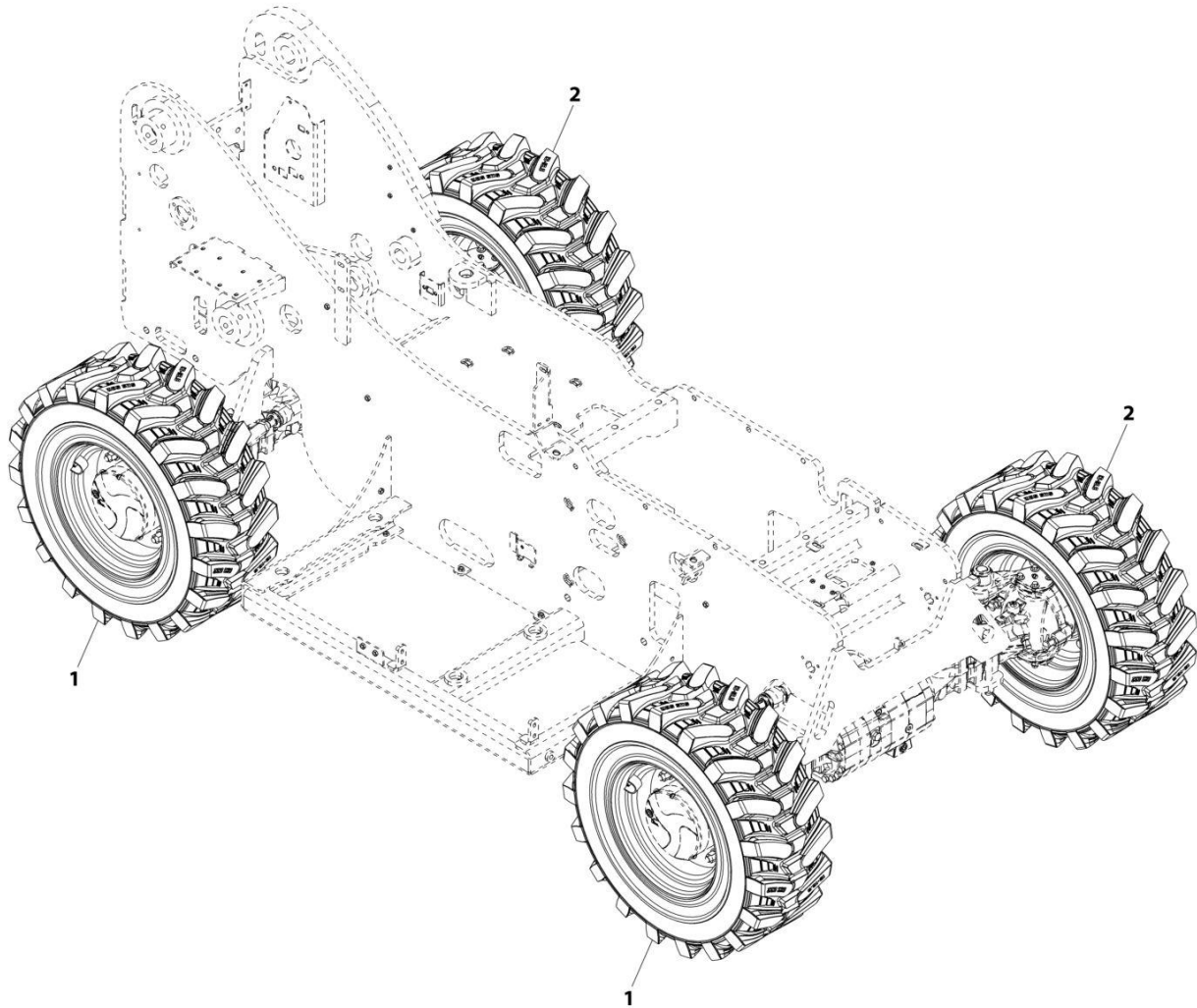
SECTION 5 - DRIVE TRAIN

FIGURE 5-29. LEFT TIRE/WHEEL ASSEMBLY (AIR 12-16.5 - 12 PLY)

ITEM	PART NUMBER	QTY	DESCRIPTION	REV
	1001140700	Ref	Left Tire/Wheel Assembly (Air 12-16.5 - 12 PLY)	F
1	1001139974	1	Wheel, 16.5X9.75	
2	4520259	1	Tire, 14X17.5	
3	4640163	1	Tire Valve	

SECTION 5 - DRIVE TRAIN

FIGURE 5-30. TIRE/WHEEL SET, CAMSO (FOAM 12-16.5 - 12 PLY)



ART_1001236319-A

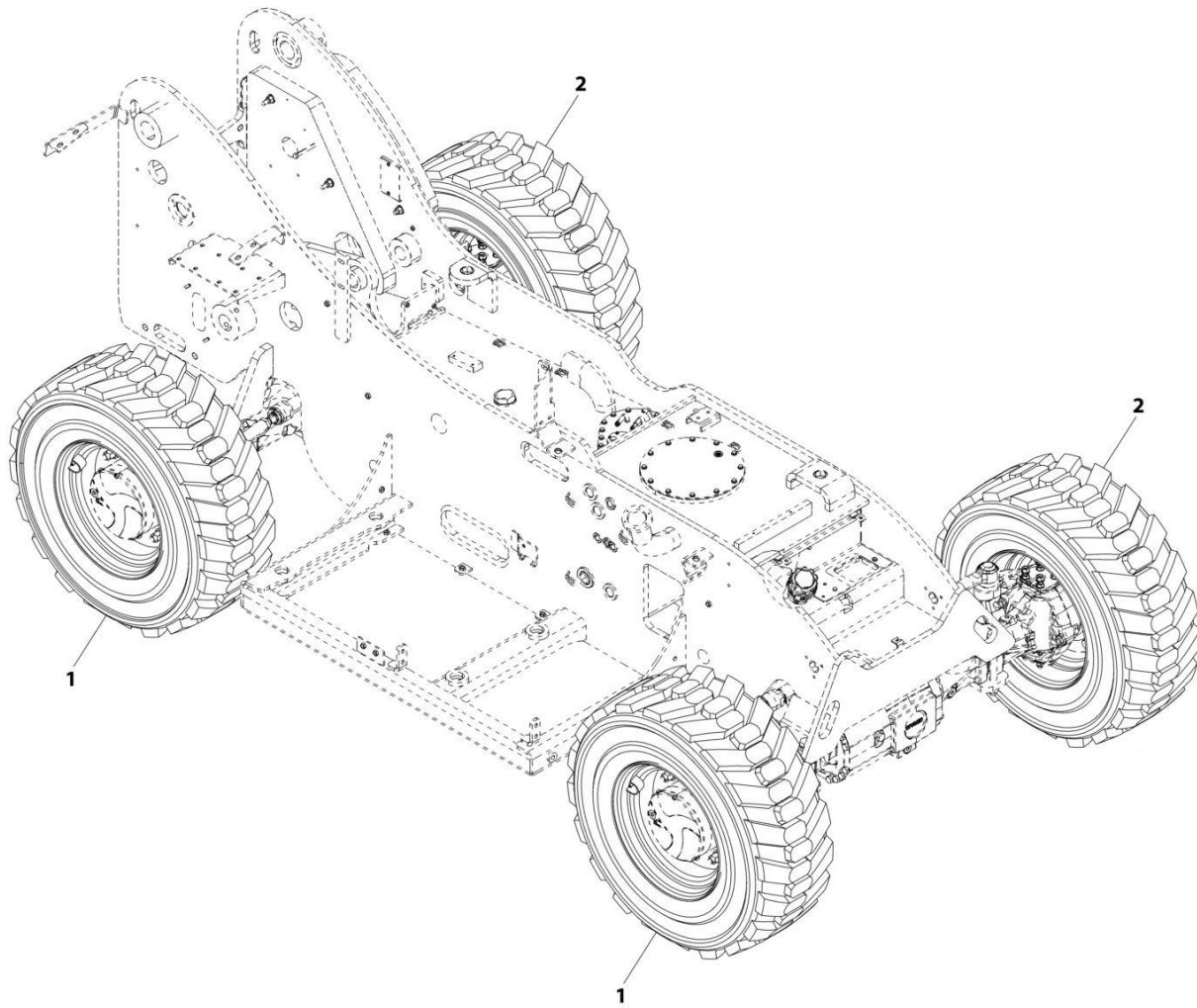
SECTION 5 - DRIVE TRAIN

FIGURE 5-30. TIRE/WHEEL SET, CAMSO (FOAM 12-16.5 - 12 PLY)

ITEM	PART NUMBER	QTY	DESCRIPTION	REV
	1001236319	Ref	Tire/Wheel Set, Camso (Foam 12-16.5 - 12 PLY)	A
1	1001236668	2	Wheel and Tire Assembly, Right, 12-16.5, Foam	
2	1001236669	2	Wheel and Tire Assembly, Left, 12-16.5, Foam	

SECTION 5 - DRIVE TRAIN

FIGURE 5-31. TIRE/WHEEL SET, FIRESTONE (FOAM 12-16.5 - 12 PLY)



ART_1001141323-A

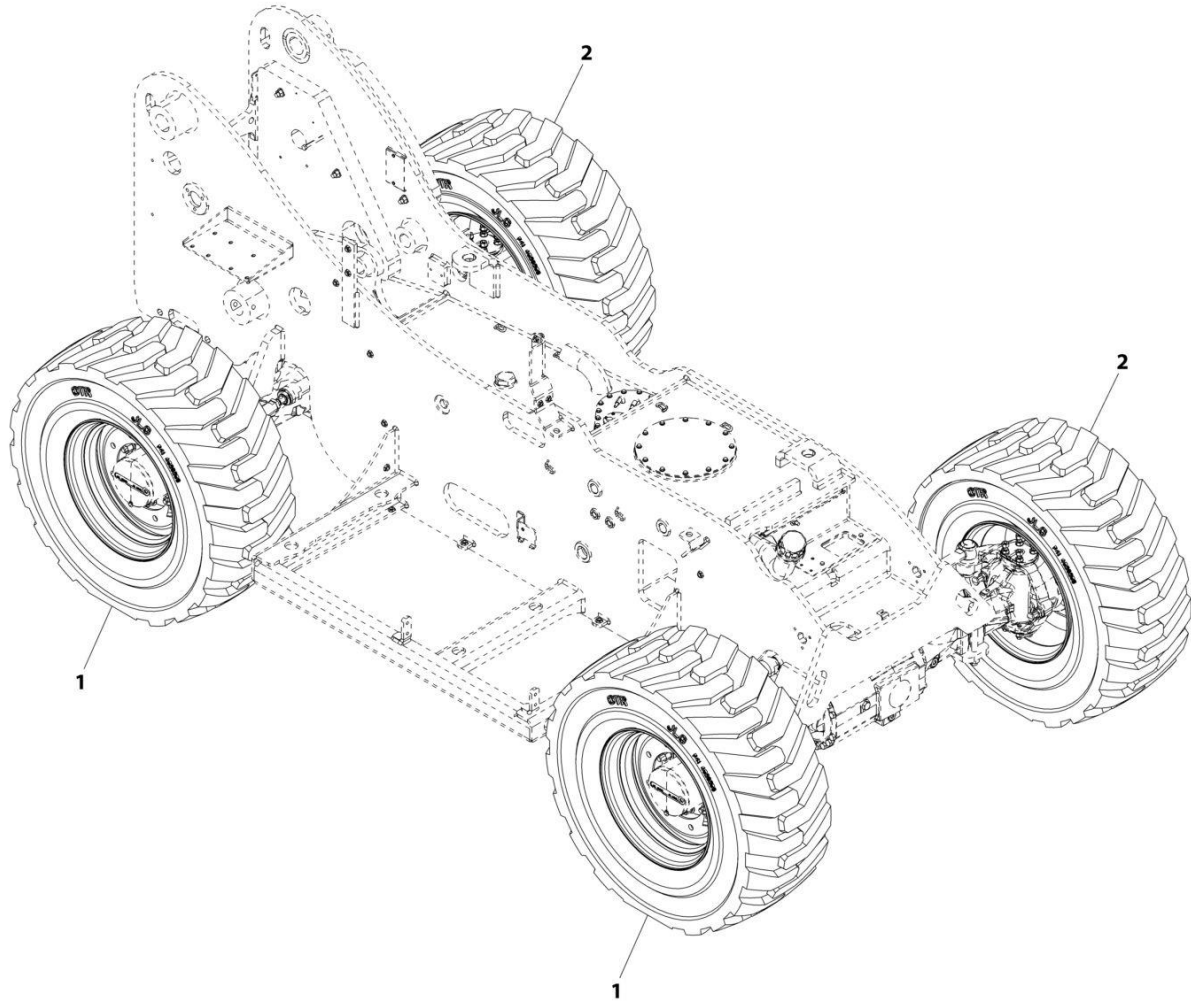
SECTION 5 - DRIVE TRAIN

FIGURE 5-31. TIRE/WHEEL SET, FIRESTONE (FOAM 12-16.5 - 12 PLY)

ITEM	PART NUMBER	QTY	DESCRIPTION	REV
	1001141323	Ref	Tire/Wheel Set, Firestone (Foam 12-16.5 - 12 PLY)	A
1	1001140701	2	Wheel and Tire Assembly, Right, 12-16.5, Foam	
2	1001140702	2	Wheel and Tire Assembly, Left, 12-16.5, Foam	

SECTION 5 - DRIVE TRAIN

FIGURE 5-32. TIRE/WHEEL SET (FOAM 12-16.5 - 14 PLY)



ART_1001141324-A

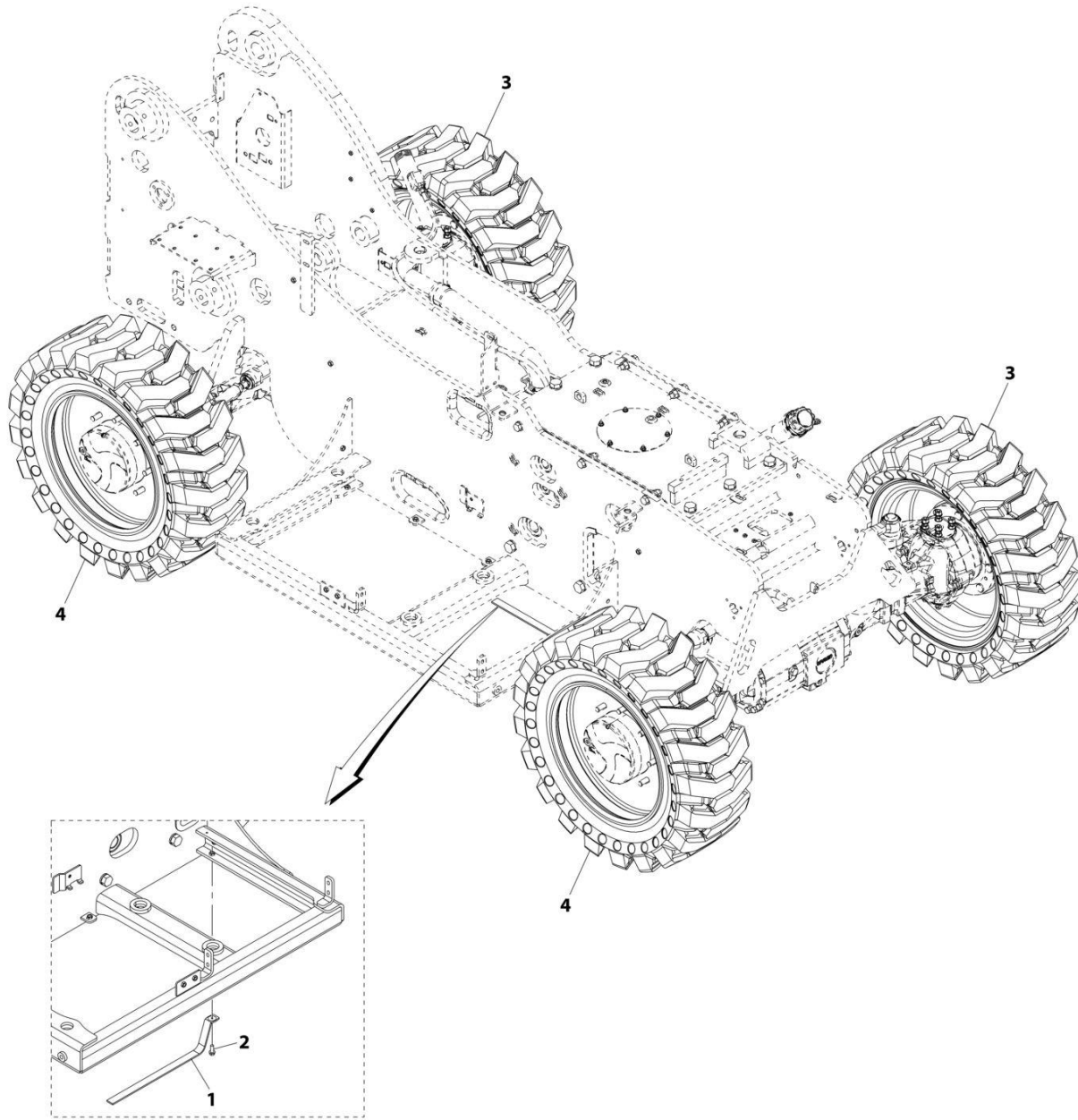
SECTION 5 - DRIVE TRAIN

FIGURE 5-32. TIRE/WHEEL SET (FOAM 12-16.5 - 14 PLY)

ITEM	PART NUMBER	QTY	DESCRIPTION	REV
	1001141324	Ref	Tire/Wheel Set (Foam 12-16.5 - 14 PLY)	A
1	1001140703	2	Wheel and Tire Assembly, Right, 14-17.5, Foam	
2	1001140704	2	Wheel and Tire Assembly, Left, 14-17.5, Foam	

SECTION 5 - DRIVE TRAIN

FIGURE 5-33. TIRE/WHEEL SET (SOLID 33X12-20 - NM)



ART_1001200945-A

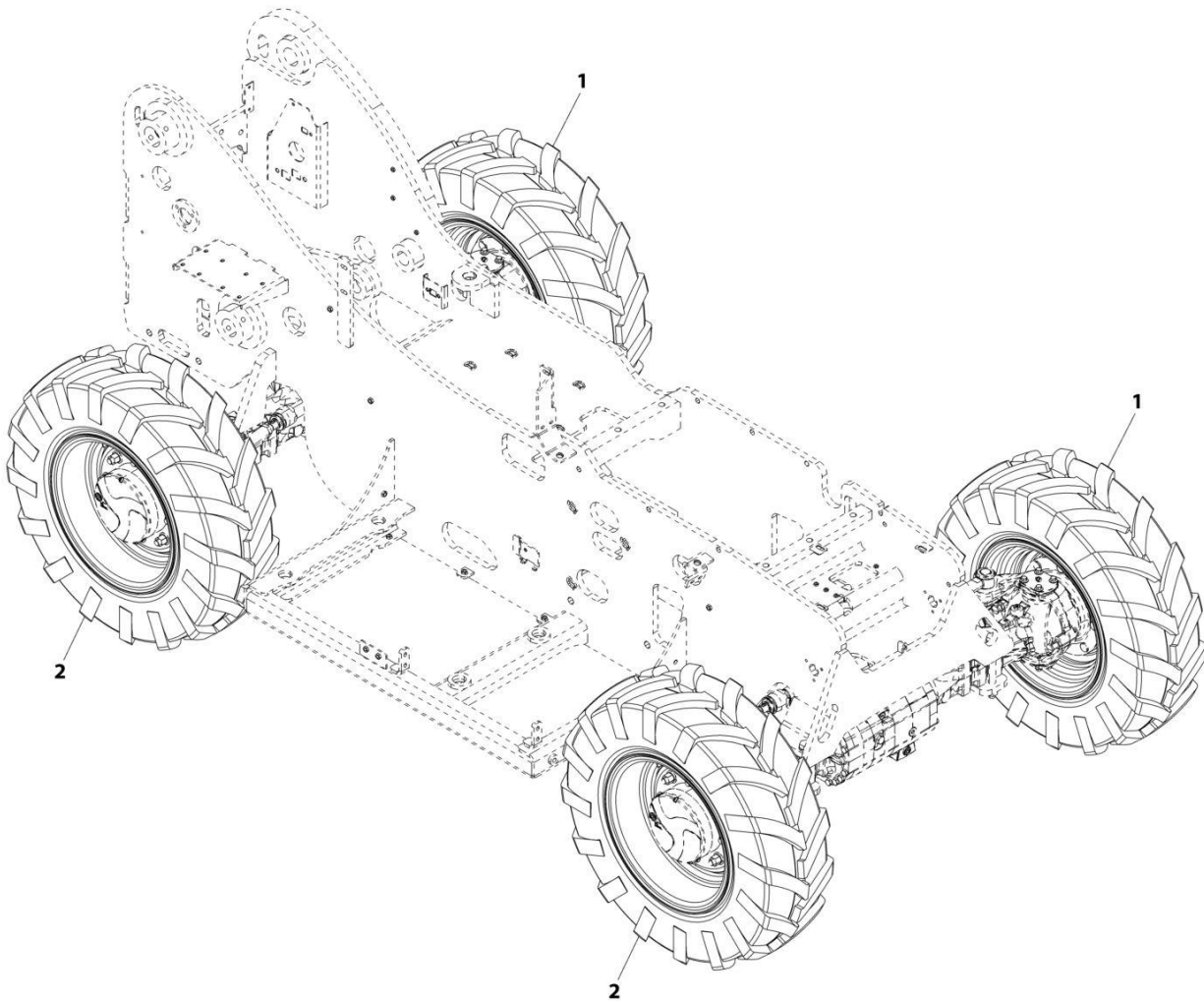
SECTION 5 - DRIVE TRAIN

FIGURE 5-33. TIRE/WHEEL SET (SOLID 33X12-20 - NM)

ITEM	PART NUMBER	QTY	DESCRIPTION	REV
	1001200945	Ref	Tire/Wheel Set (Solid 33X12-20 - NM)	A
1	4240084	1	Anti-Static Strap	
2	1001115871	1	Bolt, 1X0.375-16	
3	1001200796	2	Wheel and Tire Assembly, Left, Non-Marking	
4	1001200797	2	Wheel and Tire Assembly, Right, Non-Marking	

SECTION 5 - DRIVE TRAIN

FIGURE 5-34. TIRE/WHEEL SET, AG (AIR 10.5-18 - 16 PR)



ART_1001236321-A

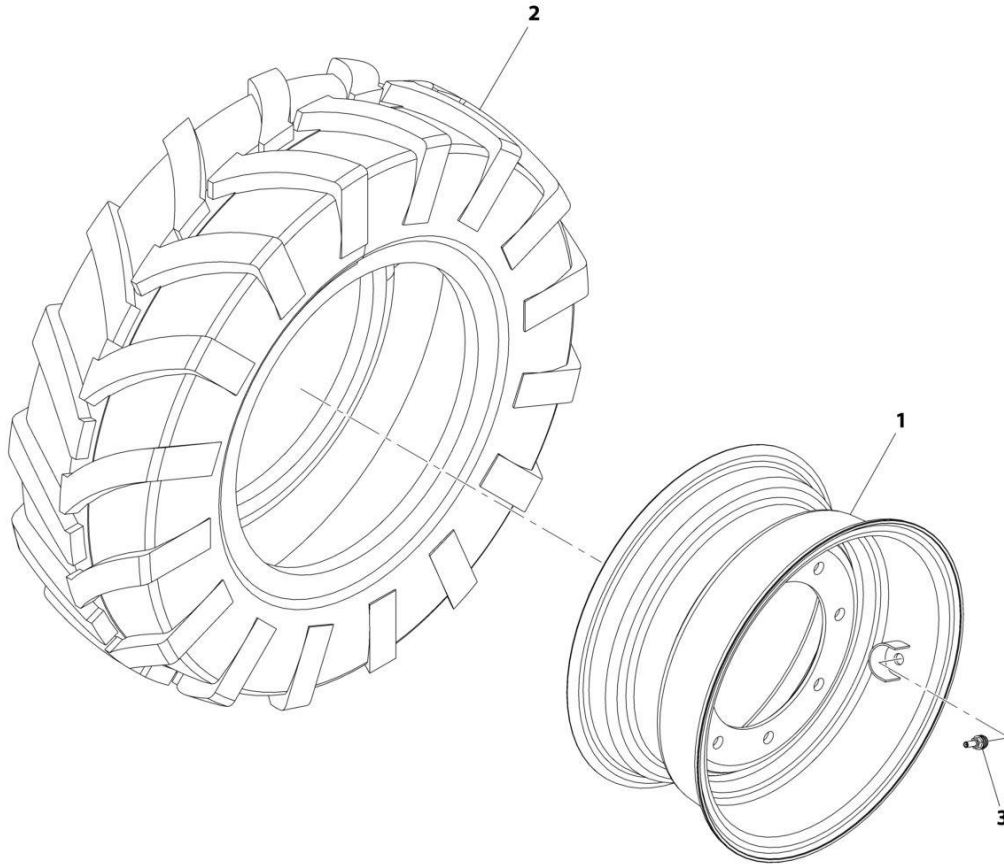
SECTION 5 - DRIVE TRAIN

FIGURE 5-34. TIRE/WHEEL SET, AG (AIR 10.5-18 - 16 PR)

ITEM	PART NUMBER	QTY	DESCRIPTION	REV
1	1001236321	Ref	Tire/Wheel Set, AG (Air 10.5-18 - 16 PR)	A
	1001143671	2	Right Tire/Wheel Assembly, AG (Air 10.5-18 - 16 PR) (See Separate Breakdown in this Section)	
2	1001143689	2	Left Tire/Wheel Assembly, AG (Air 10.5-18 - 16 PR) (See Separate Breakdown in this Section)	

SECTION 5 - DRIVE TRAIN

FIGURE 5-35. RIGHT TIRE/WHEEL ASSEMBLY, AG (AIR 10.5-18 - 16 PR)



ART_1001143671-E

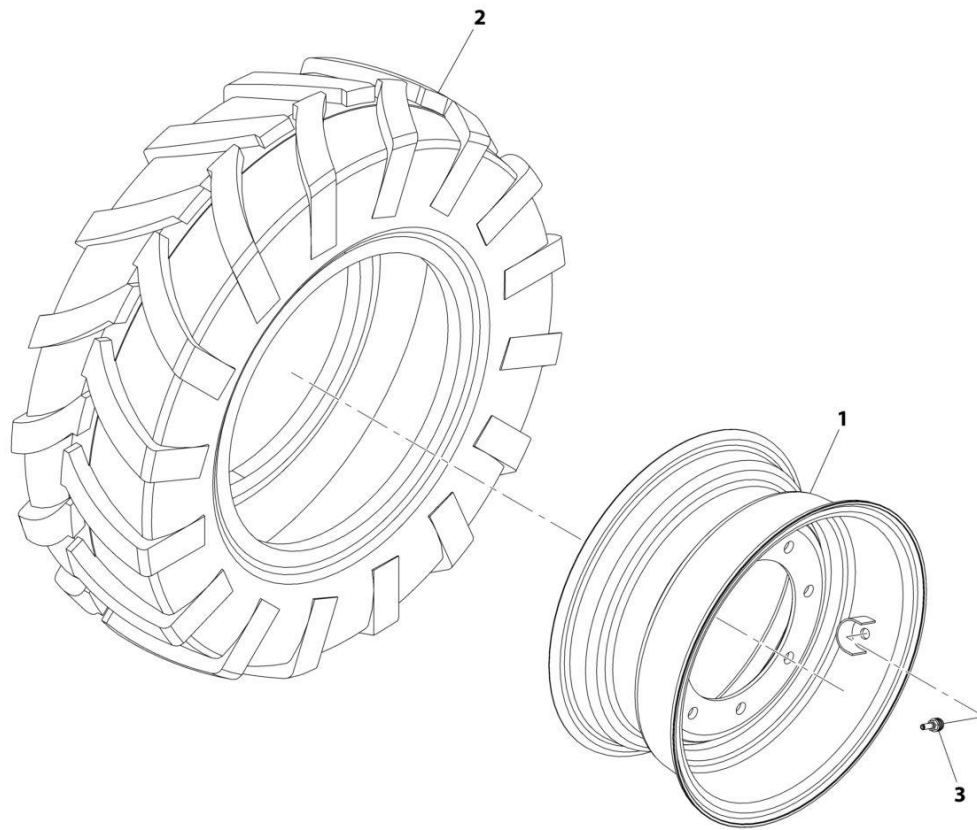
SECTION 5 - DRIVE TRAIN

FIGURE 5-35. RIGHT TIRE/WHEEL ASSEMBLY, AG (AIR 10.5-18 - 16 PR)

ITEM	PART NUMBER	QTY	DESCRIPTION	REV
	1001143671	Ref	Right Tire/Wheel Assembly, AG (Air 10.5-18 - 16 PR)	E
1	1001142101	1	Wheel, 18X9	
2	1001154229	1	Tire, 10.5X18	
3	4640163	1	Tire Valve	

SECTION 5 - DRIVE TRAIN

FIGURE 5-36. LEFT TIRE/WHEEL ASSEMBLY, AG (AIR 10.5-18 - 16 PR)



ART_1001143689-E

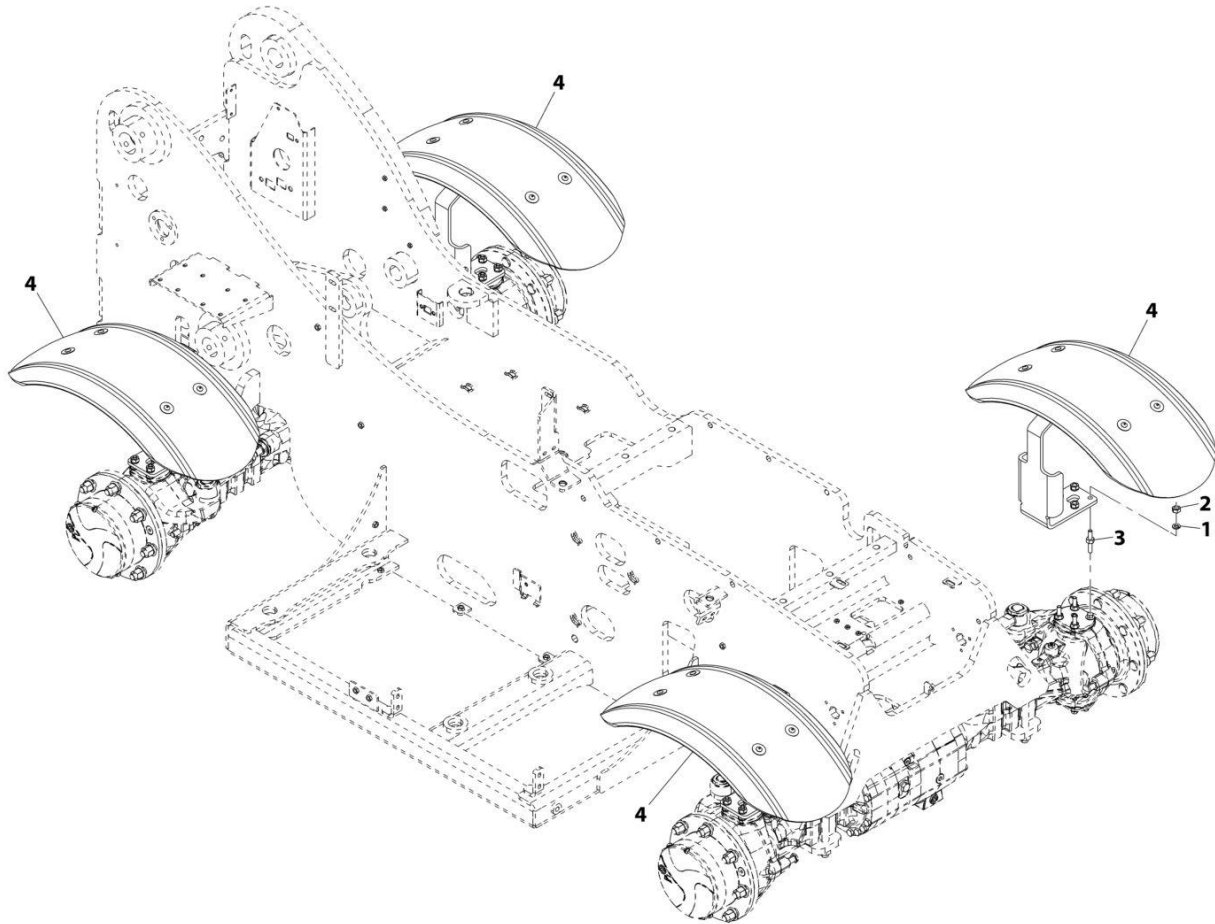
SECTION 5 - DRIVE TRAIN

FIGURE 5-36. LEFT TIRE/WHEEL ASSEMBLY, AG (AIR 10.5-18 - 16 PR)

ITEM	PART NUMBER	QTY	DESCRIPTION	REV
	1001143689	Ref	Left Tire/Wheel Assembly, AG (Air 10.5-18 - 16 PR)	E
1	1001142101	1	Wheel, 18X9	
2	1001154229	1	Tire, 10.5X18	
3	4640163	1	Tire Valve	

SECTION 5 - DRIVE TRAIN

FIGURE 5-37. FENDER INSTALLATION



ART_1001235015-A

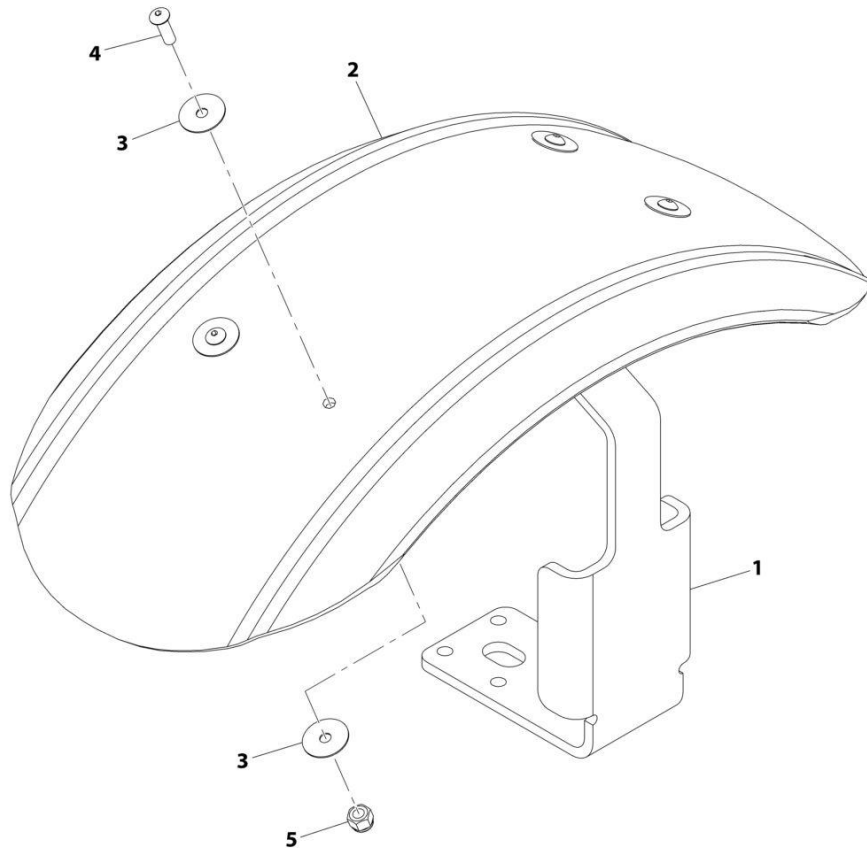
SECTION 5 - DRIVE TRAIN

FIGURE 5-37. FENDER INSTALLATION

ITEM	PART NUMBER	QTY	DESCRIPTION	REV
	1001235015	Ref	Fender Installation	A
1	83191010	16	Lockwasher, M12	
2	91513266	16	Nut, M12X1-1/4	
3	91514118	16	Stud	
4	1001235014	4	Fender Assembly (See Separate Breakdown in this Section)	

SECTION 5 - DRIVE TRAIN

FIGURE 5-38. FENDER ASSEMBLY



ART_1001235014-A

SECTION 5 - DRIVE TRAIN

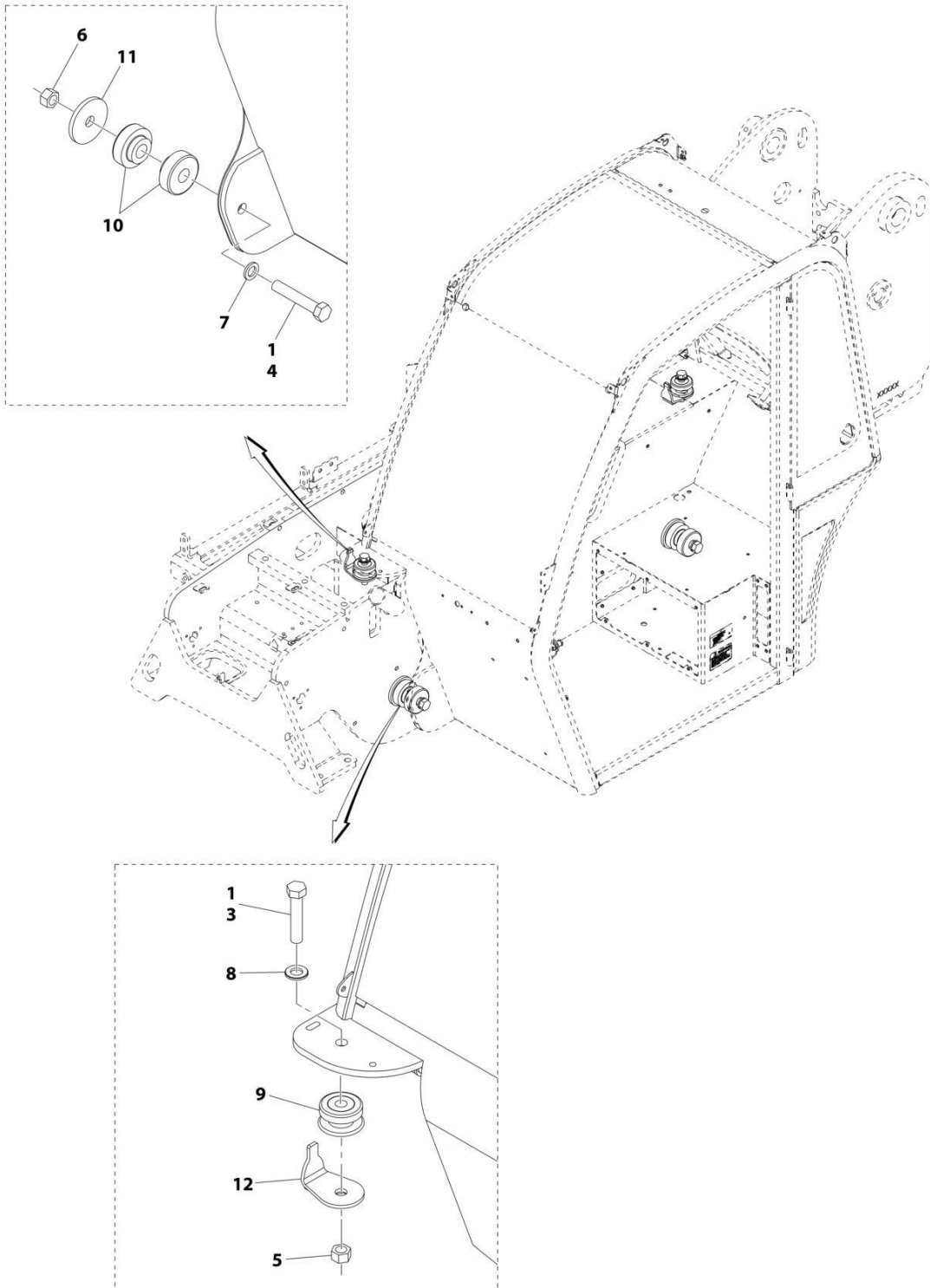
FIGURE 5-38. FENDER ASSEMBLY

ITEM	PART NUMBER	QTY	DESCRIPTION	REV
	1001235014	Ref	Fender Assembly	A
1	1001234973	1	Fender Mount	
2	1001080212	1	Wheel Fender	
3	8310246	8	Fender Washer, 3/8X0.048X1-1/2	
4	88261030	4	Socket HD Capscrew, 3/8-16X1-1/4	
5	88521206	4	Locknut, 3/8-16	

SECTION 6 - CAB

SECTION 6 - CAB

FIGURE 6-1. CAB INSTALLATION



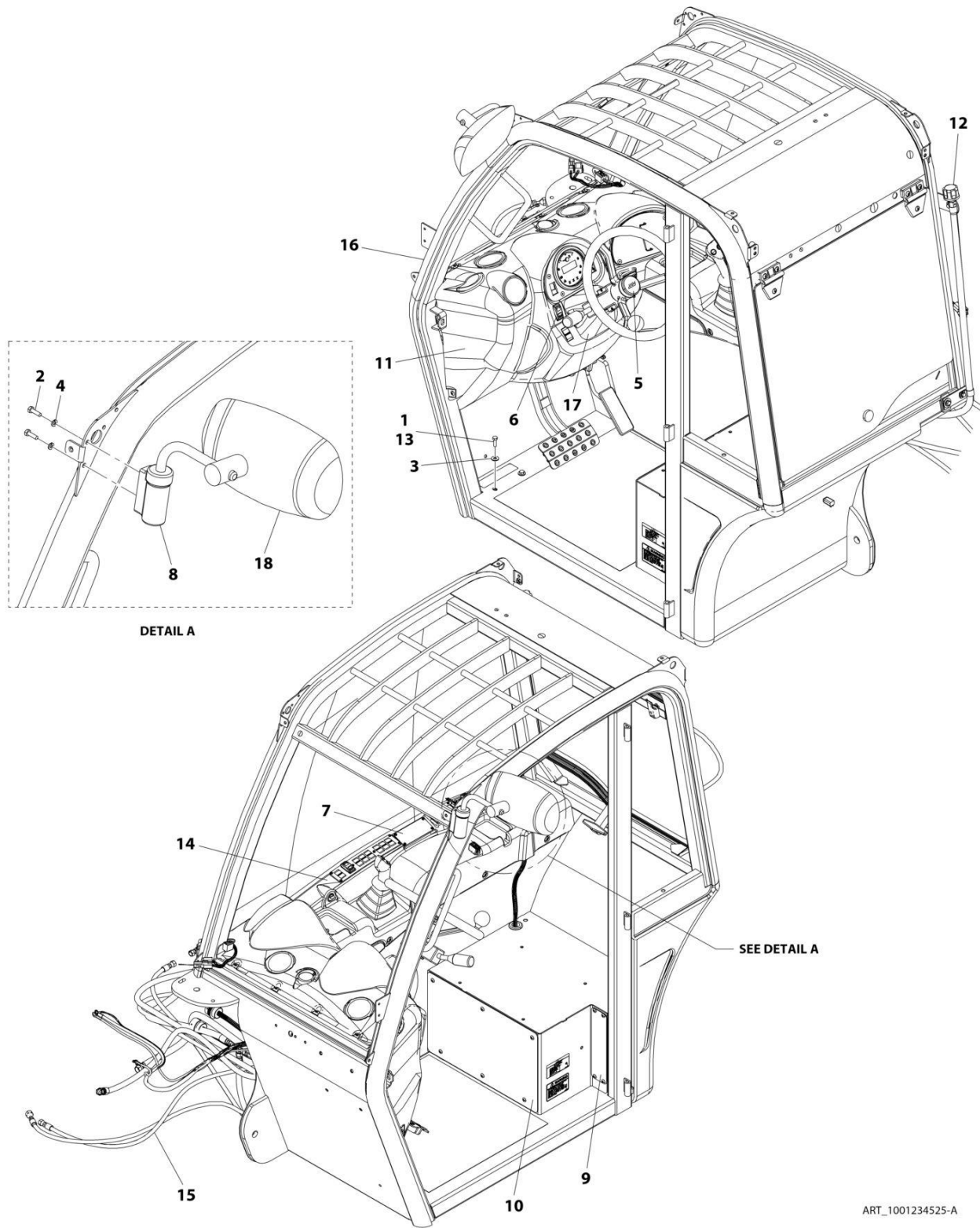
ART_1001210402-B

FIGURE 6-1. CAB INSTALLATION

ITEM	PART NUMBER	QTY	DESCRIPTION	REV
	1001210402	Ref	Cab Installation	B
1	0100019	AR	Compound, Locking	
3	0682230	2	Hex HD Capscrew, 3/4-10X3-3/4, GR8	
4	0682440	2	Hex HD Capscrew, 7/8-9X5, GR8	
5	3272201	2	Hex Nut, 3/4-10, GR8	
6	3272401	2	Hex Nut, 7/8-9, GR8	
7	4892400	2	Washer, 7/8	
8	90027473	2	Washer, 3/4	
9	91403097	2	Center Bonded Mount	
10	91403153	4	Shock Mount	
11	91403217	2	Rebound Washer	
12	1001080992	2	Washer	

SECTION 6 - CAB

FIGURE 6-2. OPEN CAB INSTALLATION (ANSI - FIXED STEERING)



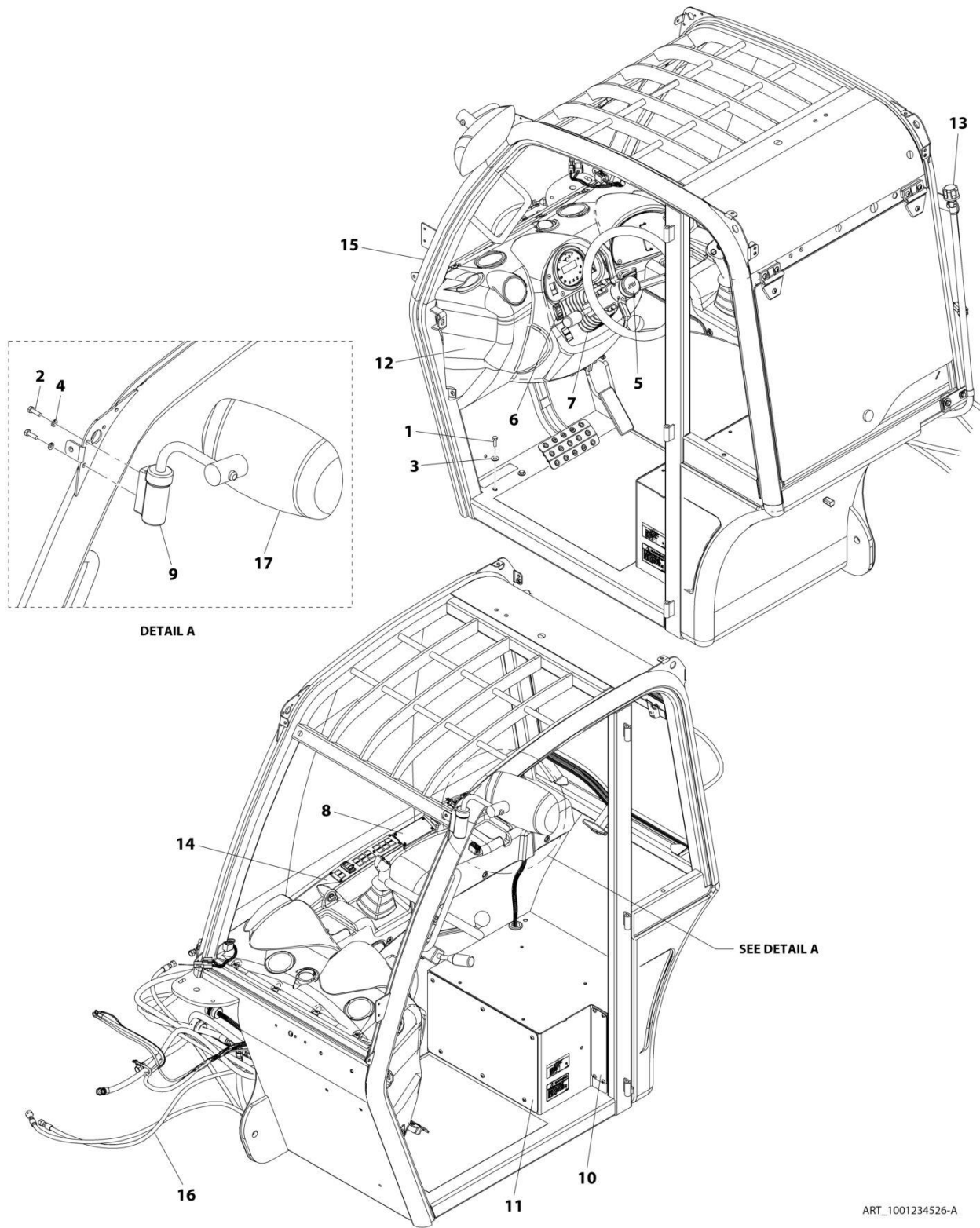
ART_1001234525-A

FIGURE 6-2. OPEN CAB INSTALLATION (ANSI - FIXED STEERING)

ITEM	PART NUMBER	QTY	DESCRIPTION	REV
	1001234525	Ref	Open Cab Installation (ANSI - Fixed Steering)	A
1	0641508	4	Hex HD Capscrew, 5/16-18X1, GR5	
2	0700610	2	Hex HD Capscrew, M6X20, GR8.8	
3	4751500	4	Washer, 5/16	
4	8307024	2	Washer, M6	
5	1001080742	Ref	Installation, JLG Common (See Separate Breakdown in this Section)	
6	1001080744	Ref	Installation, NA Common (See Separate Breakdown in this Section)	
7	1001080876	Ref	Installation, Control Cover (See Separate Breakdown in this Section)	
8	1001114675	1	Mirror Arm	
9	1001137600	Ref	Installation, Park Brake Valve (See Separate Breakdown in Control Section)	
10	1001137623	Ref	Installation, Seat Riser Cover (See Separate Breakdown in this Section)	
11	1001138582	Ref	Installation, Open Cab Common Components (See Separate Breakdown in this Section)	
12	1001182755	Ref	Installation, Hydraulic Tank Breather (See Separate Breakdown in Hydraulic Circuits Section)	
13	0100011	AR	Compound, Locking	
14	1001202007	Ref	Installation, Cab Common (See Separate Breakdown in this Section)	
15	1001235716	Ref	Installation, Cab Hydraulics (ANSI) (See Separate Breakdown in Hydraulic Circuits Section)	
16	1001208616	Ref	Installation, Open Cab Glass (See Separate Breakdown in this Section)	
17	1001221303	Ref	Installation, Fixed Steering Column (See Separate Breakdown in Control Section)	
18	8866514	1	Convex Mirror	

SECTION 6 - CAB

FIGURE 6-3. OPEN CAB INSTALLATION (ANSI - TILT STEERING)



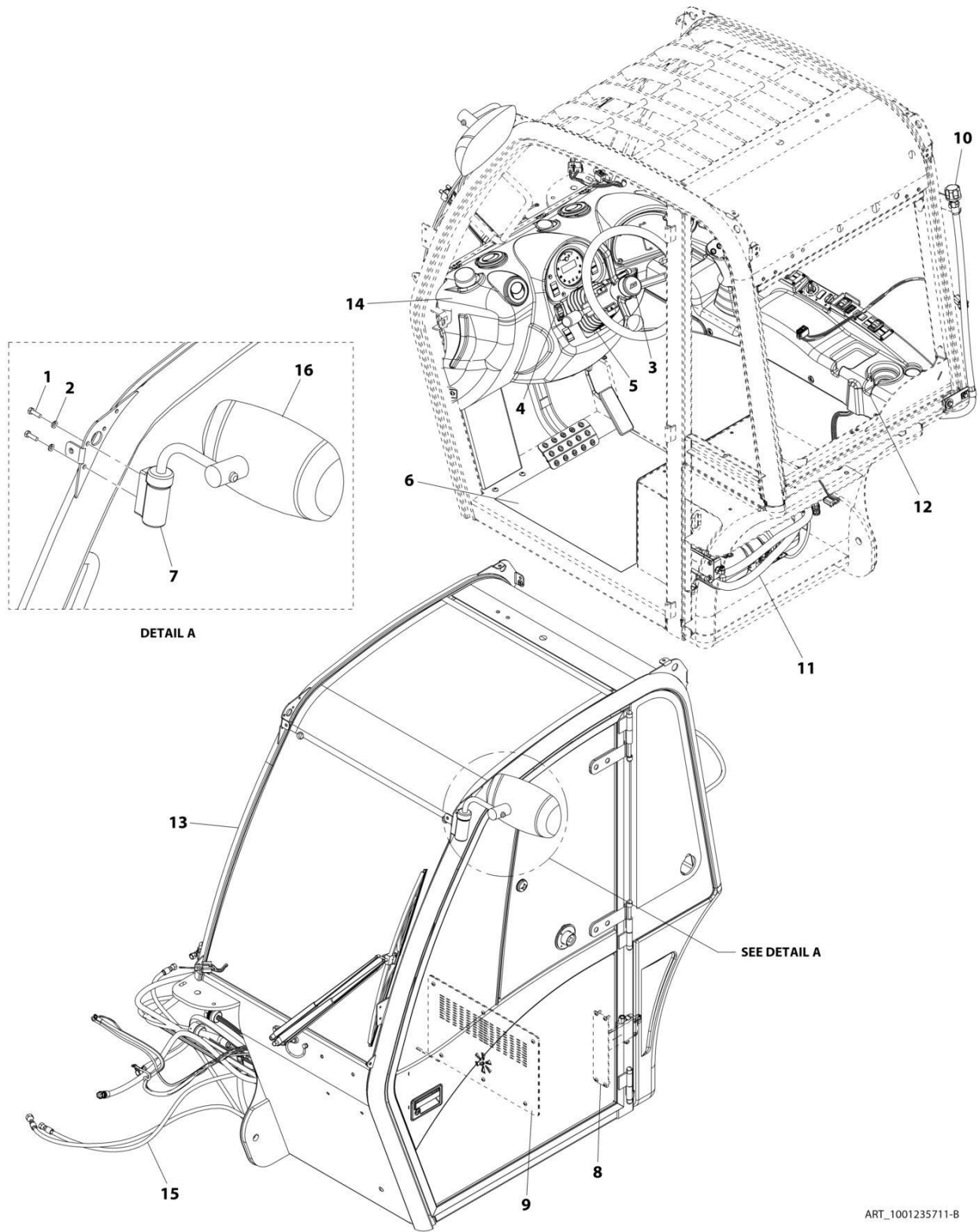
ART_1001234526-A

FIGURE 6-3. OPEN CAB INSTALLATION (ANSI - TILT STEERING)

ITEM	PART NUMBER	QTY	DESCRIPTION	REV
	1001234526	Ref	Open Cab Installation (ANSI - Tilt Steering)	A
1	0641508	4	Hex HD Capscrew, 5/16-18X1, GR5	
2	0700610	2	Hex HD Capscrew, M6X20, GR8.8	
3	4751500	4	Washer, 5/16	
4	8307024	2	Washer, M6	
5	1001080742	Ref	Installation, JLG Common (See Separate Breakdown in this Section)	
6	1001080744	Ref	Installation, NA Common (See Separate Breakdown in this Section)	
7	1001080809	Ref	Installation, Tilt Steering Column (See Separate Breakdown in Control Section)	
8	1001080876	Ref	Installation, Control Cover (See Separate Breakdown in this Section)	
9	1001114675	1	Mirror Arm	
10	1001137600	Ref	Installation, Park Brake Valve (See Separate Breakdown in Control Section)	
11	1001137623	Ref	Installation, Seat Riser Cover (See Separate Breakdown in this Section)	
12	1001138582	Ref	Installation, Open Cab Common Components (See Separate Breakdown in this Section)	
13	1001182755	Ref	Installation, Hydraulic Tank Breather (See Separate Breakdown in Hydraulic Circuits Section)	
14	1001202007	Ref	Installation, Cab Common (See Separate Breakdown in this Section)	
15	1001208616	Ref	Installation, Open Cab Glass (See Separate Breakdown in this Section)	
16	1001235716	Ref	Installation, Cab Hydraulics (ANSI) (See Separate Breakdown in Hydraulic Circuits Section)	
17	8866514	1	Convex Mirror	

SECTION 6 - CAB

FIGURE 6-4. ENCLOSED CAB INSTALLATION (ANSI - TILT STEERING) (HEAT)



ART_1001235711-B

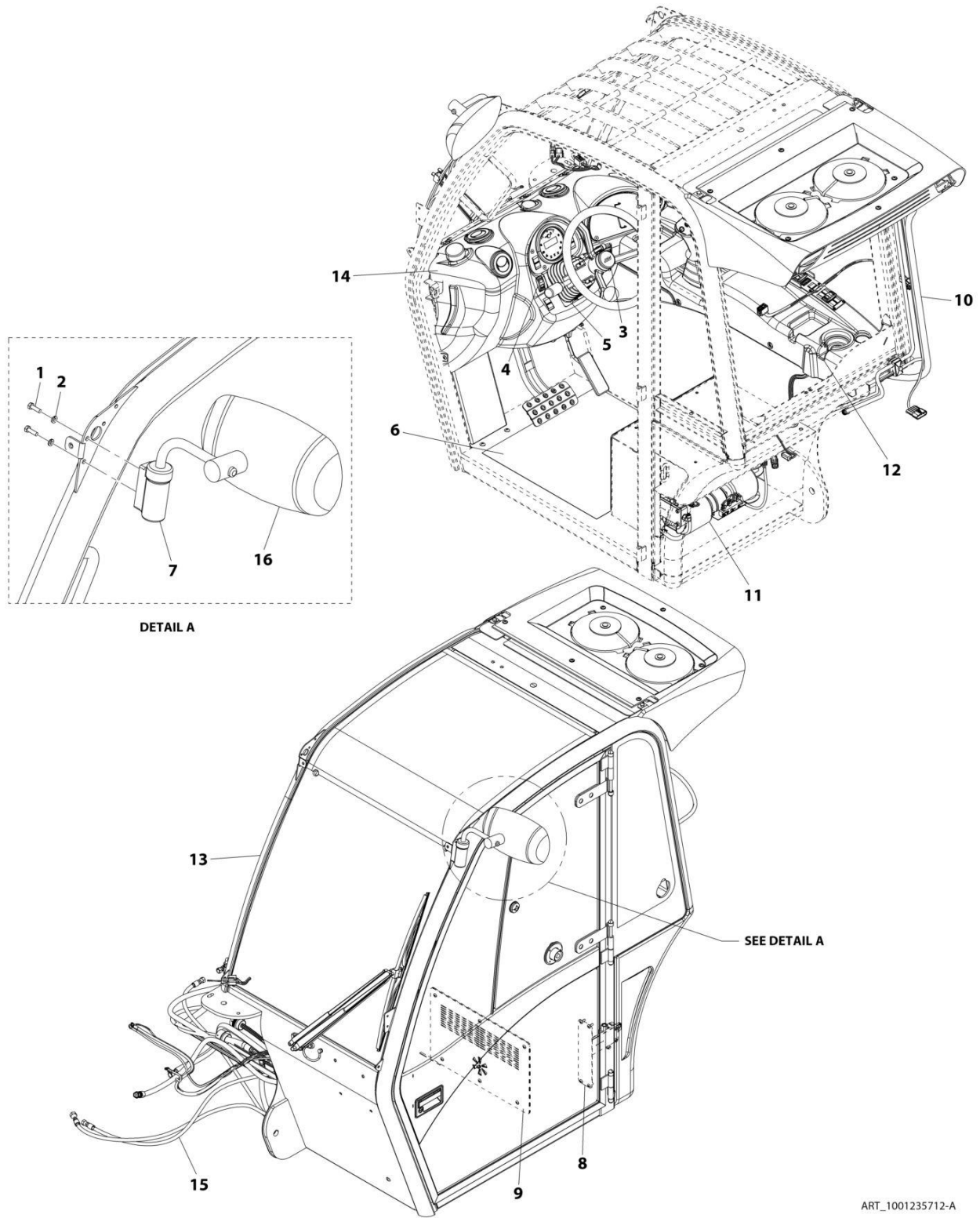
SECTION 6 - CAB

FIGURE 6-4. ENCLOSED CAB INSTALLATION (ANSI - TILT STEERING) (HEAT)

ITEM	PART NUMBER	QTY	DESCRIPTION	REV
	1001235711	Ref	Enclosed Cab Installation (ANSI - Tilt Steering) (Heat)	B
1	0700610	2	Hex HD Capscrew, M6X20, GR8.8	
2	8307024	2	Washer, M6	
3	1001080742	Ref	Installation, JLG Common (See Separate Breakdown in this Section)	
4	1001080744	Ref	Installation, NA Common (See Separate Breakdown in this Section)	
5	1001080809	Ref	Installation, Tilt Steering Column (See Separate Breakdown in Control Section)	
6	1001080847	1	Floor Skid Strip	
7	1001114675	1	Mirror Arm	
8	1001137600	Ref	Installation, Park Brake Valve (See Separate Breakdown in Control Section)	
9	1001137621	Ref	Installation, Seat Riser Cover HVAC (See Separate Breakdown in this Section)	
10	1001182755	Ref	Installation, Hydraulic Tank Breather (See Separate Breakdown in Hydraulic Circuits Section)	
11	1001193943	Ref	Installation, Heater (cab parts) (See Separate Breakdown in this Section)	
12	1001202007	Ref	Installation, Cab Common (See Separate Breakdown in this Section)	
13	1001208617	Ref	Installation, Enclosed Cab Glass (See Separate Breakdown in this Section)	
14	1001213757	Ref	Installation, Enclosed Cab Common Components (See Separate Breakdown in this Section)	
15	1001235716	Ref	Installation, Cab Hydraulics (ANSI) (See Separate Breakdown in Hydraulic Circuits Section)	
16	8866514	1	Mirror Head, Convex	

SECTION 6 - CAB

FIGURE 6-5. ENCLOSED CAB INSTALLATION (ANSI - TILT STEERING) (HEAT & A/C)



ART_1001235712-A

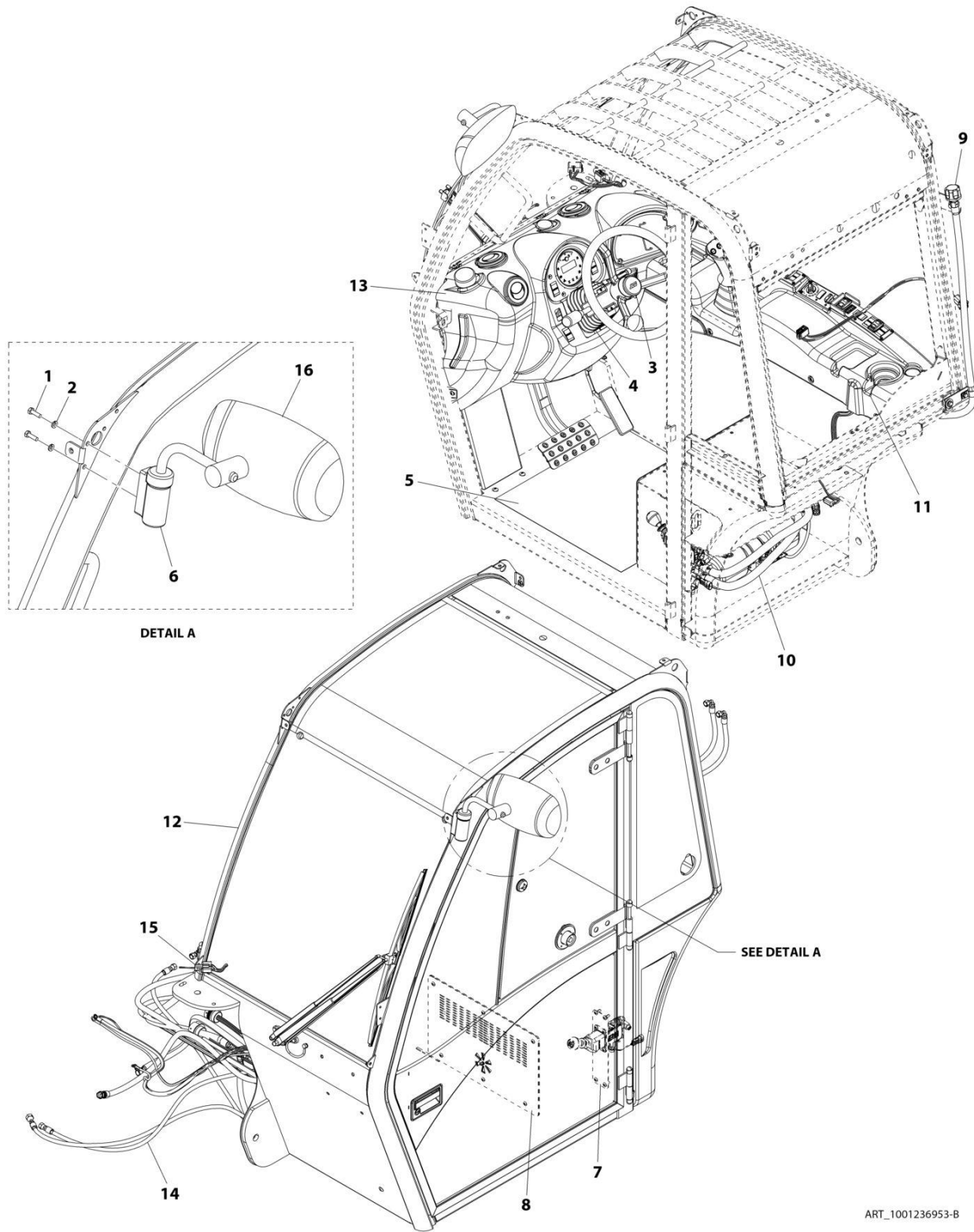
SECTION 6 - CAB

FIGURE 6-5. ENCLOSED CAB INSTALLATION (ANSI - TILT STEERING) (HEAT & A/C)

ITEM	PART NUMBER	QTY	DESCRIPTION	REV
	1001235712	Ref	Enclosed Cab Installation (ANSI - Tilt Steering) (Heat & A/C)	A
1	0700610	2	Hex HD Capscrew, M6X20, GR8.8	
2	8307024	2	Washer, M6	
3	1001080742	Ref	Installation, JLG Common (See Separate Breakdown in this Section)	
4	1001080744	Ref	Installation, NA Common (See Separate Breakdown in this Section)	
5	1001080809	Ref	Installation, Tilt Steering Column (See Separate Breakdown in Control Section)	
6	1001080847	1	Floor Skid Strip	
7	1001114675	1	Mirror Arm	
8	1001137600	Ref	Installation, Park Brake Valve (See Separate Breakdown in Control Section)	
9	1001137621	Ref	Installation, Seat Riser Cover HVAC (See Separate Breakdown in this Section)	
10	1001186376	Ref	Installation, Hydraulic Tank Breather (See Separate Breakdown in Hydraulic Circuits Section)	
11	1001193443	Ref	Installation, Heater and A/C (Cab Parts) (See Separate Breakdown in this Section)	
12	1001202007	Ref	Installation, Cab Common (See Separate Breakdown in this Section)	
13	1001208617	Ref	Installation, Enclosed Cab Glass (See Separate Breakdown in this Section)	
14	1001213757	Ref	Installation, Enclosed Cab Common Components (See Separate Breakdown in this Section)	
15	1001235716	Ref	Installation, Cab Hydraulics (ANSI) (See Separate Breakdown in Hydraulic Circuits Section)	
16	8866514	1	Convex Mirror	

SECTION 6 - CAB

FIGURE 6-6. ENCLOSED CAB INSTALLATION (LSI - TILT STEERING) (HEAT)



ART_1001236953-B

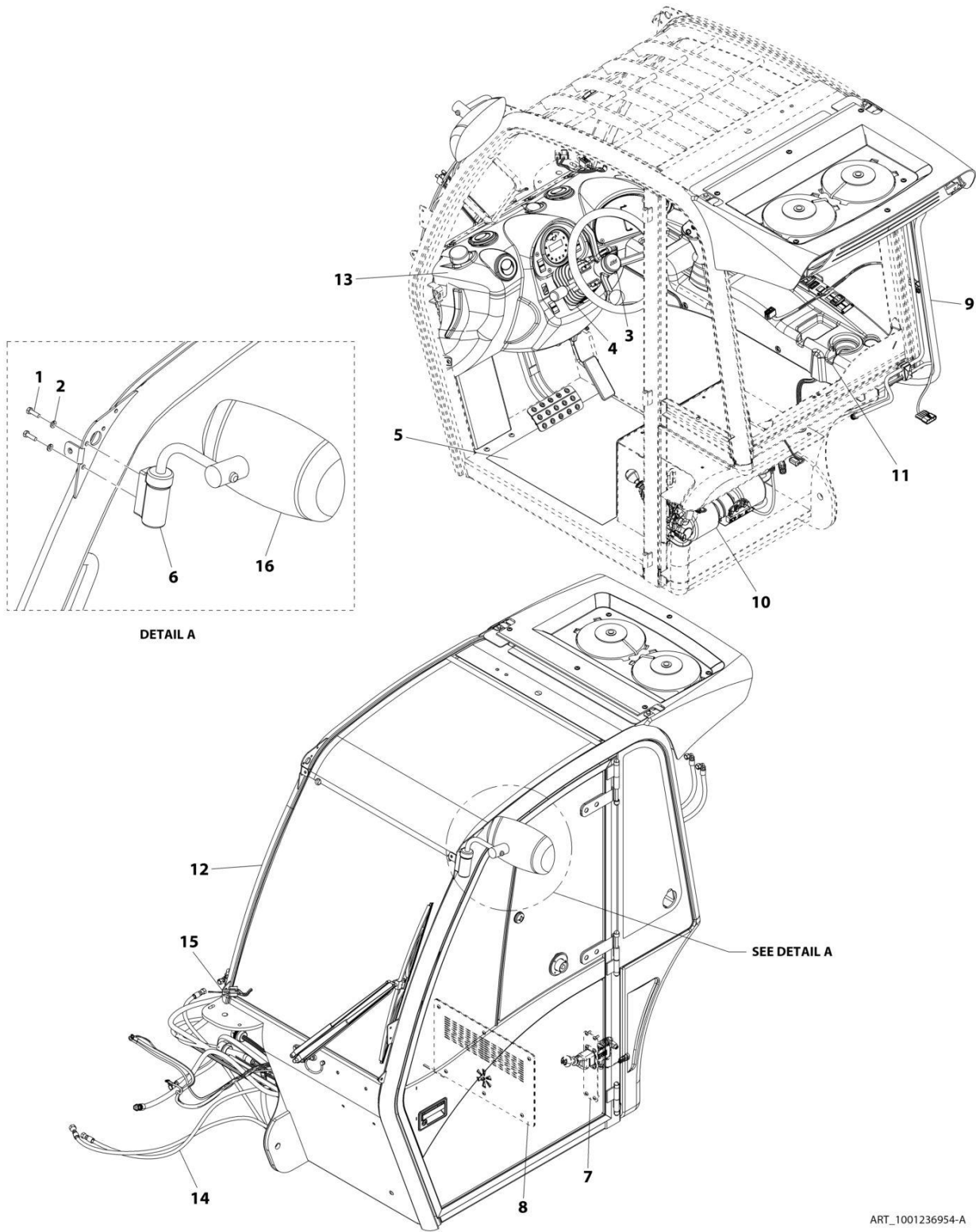
SECTION 6 - CAB

FIGURE 6-6. ENCLOSED CAB INSTALLATION (LSI - TILT STEERING) (HEAT)

ITEM	PART NUMBER	QTY	DESCRIPTION	REV
	1001236953	Ref	Enclosed Cab Installation (LSI - Tilt Steering) (Heat)	B
1	0700610	2	Hex HD Capscrew, M6X20, GR8.8	
2	8307024	2	Washer, M6	
3	1001080742	Ref	Installation, JLG Common (See Separate Breakdown in this Section)	
4	1001080809	Ref	Installation, Tilt Steering Column (See Separate Breakdown in Control Section)	
5	1001080847	1	Floor Skid Strip	
6	1001114675	1	Mirror Arm	
7	1001137602	Ref	Installation, Park Brake Valve (Euro) (See Separate Breakdown in Control Section)	
8	1001137621	Ref	Installation, Seat Riser Cover HVAC (See Separate Breakdown in this Section)	
9	1001182755	Ref	Installation, Hydraulic Tank Breather (See Separate Breakdown in Hydraulic Circuits Section)	
10	1001193943	Ref	Installation, Heater (cab parts) (See Separate Breakdown in this Section)	
11	1001202007	Ref	Installation, Cab Common (See Separate Breakdown in this Section)	
12	1001208617	Ref	Installation, Enclosed Cab Glass (See Separate Breakdown in this Section)	
13	1001213757	Ref	Installation, Enclosed Cab Common Components (See Separate Breakdown in this Section)	
14	1001236957	Ref	Installation, Cab Hydraulics (LSI) (See Separate Breakdown in Hydraulic Circuits Section)	
15	1001236959	Ref	Installation, NA Common Components (LSI) (See Separate Breakdown in this Section)	
16	8866514	1	Mirror Head, Convex	

SECTION 6 - CAB

FIGURE 6-7. ENCLOSED CAB INSTALLATION (LSI - TILT STEERING) (HEAT & A/C)



ART_1001236954-A

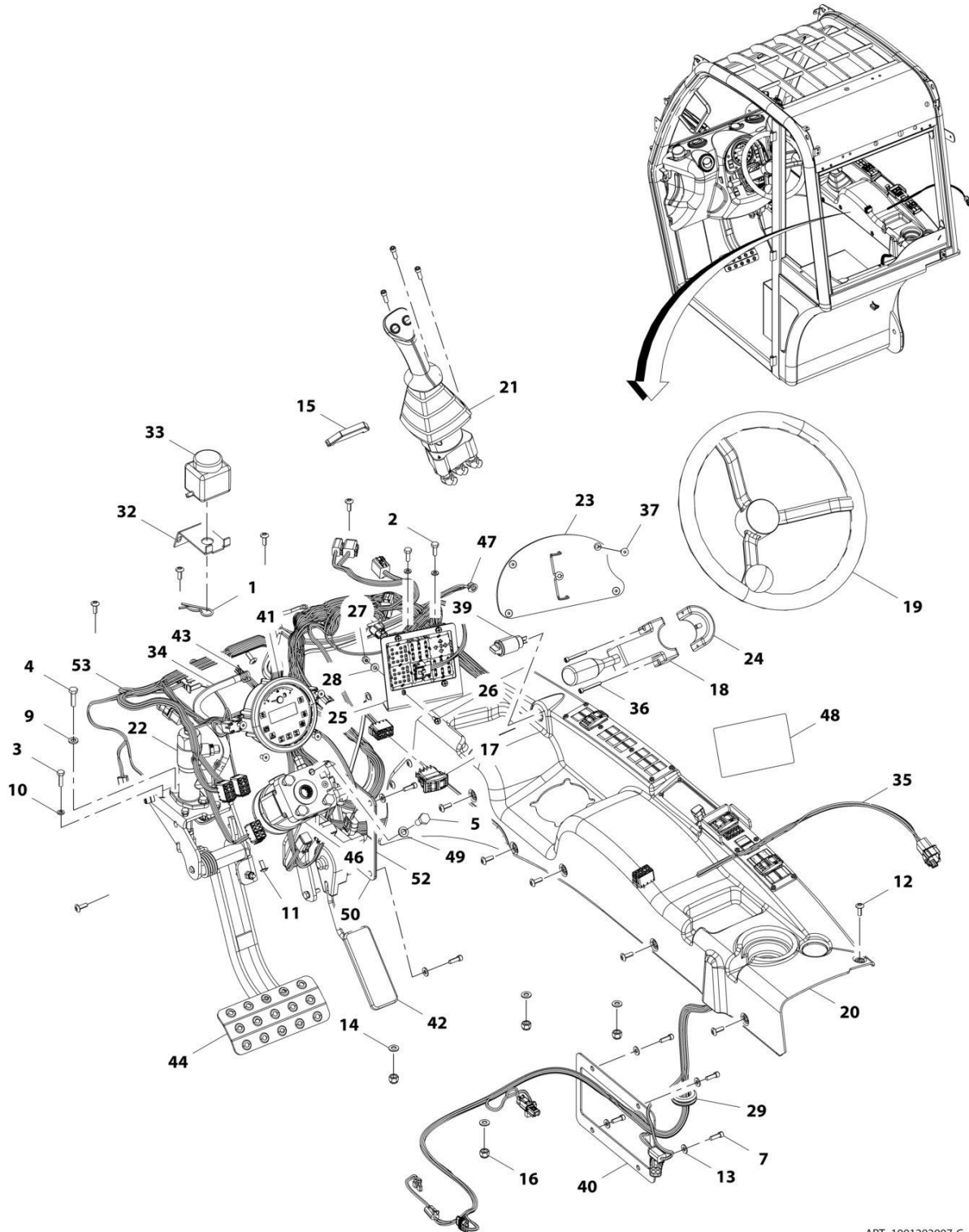
SECTION 6 - CAB

FIGURE 6-7. ENCLOSED CAB INSTALLATION (LSI - TILT STEERING) (HEAT & A/C)

ITEM	PART NUMBER	QTY	DESCRIPTION	REV
	1001236954	Ref	Enclosed Cab Installation (LSI - Tilt Steering) (Heat & A/C)	A
1	0700610	2	Hex HD Capscrew, M6X20, GR8.8	
2	8307024	2	Washer, M6	
3	1001080742	Ref	Installation, JLG Common (See Separate Breakdown in this Section)	
4	1001080809	Ref	Installation, Tilt Steering Column (See Separate Breakdown in Control Section)	
5	1001080847	1	Floor Skid Strip	
6	1001114675	1	Mirror Arm	
7	1001137602	Ref	Installation, Park Brake Valve (Euro) (See Separate Breakdown in Control Section)	
8	1001137621	Ref	Installation, Seat Riser Cover HVAC (See Separate Breakdown in this Section)	
9	1001186376	Ref	Installation, Hydraulic Tank Breather (See Separate Breakdown in Hydraulic Circuits Section)	
10	1001193443	Ref	Installation, Heater and A/C (Cab Parts) (See Separate Breakdown in this Section)	
11	1001202007	Ref	Installation, Cab Common (See Separate Breakdown in this Section)	
12	1001208617	Ref	Installation, Enclosed Cab Glass (See Separate Breakdown in this Section)	
13	1001213757	Ref	Installation, Enclosed Cab Common Components (See Separate Breakdown in this Section)	
14	1001236957	Ref	Installation, Cab Hydraulics (LSI) (See Separate Breakdown in Hydraulic Circuits Section)	
15	1001236959	Ref	Installation, NA Common Components (LSI) (See Separate Breakdown in this Section)	
16	8866514	1	Convex Mirror	

SECTION 6 - CAB

FIGURE 6-8. CAB COMMON INSTALLATION



ART_1001202007-G

FIGURE 6-8. CAB COMMON INSTALLATION

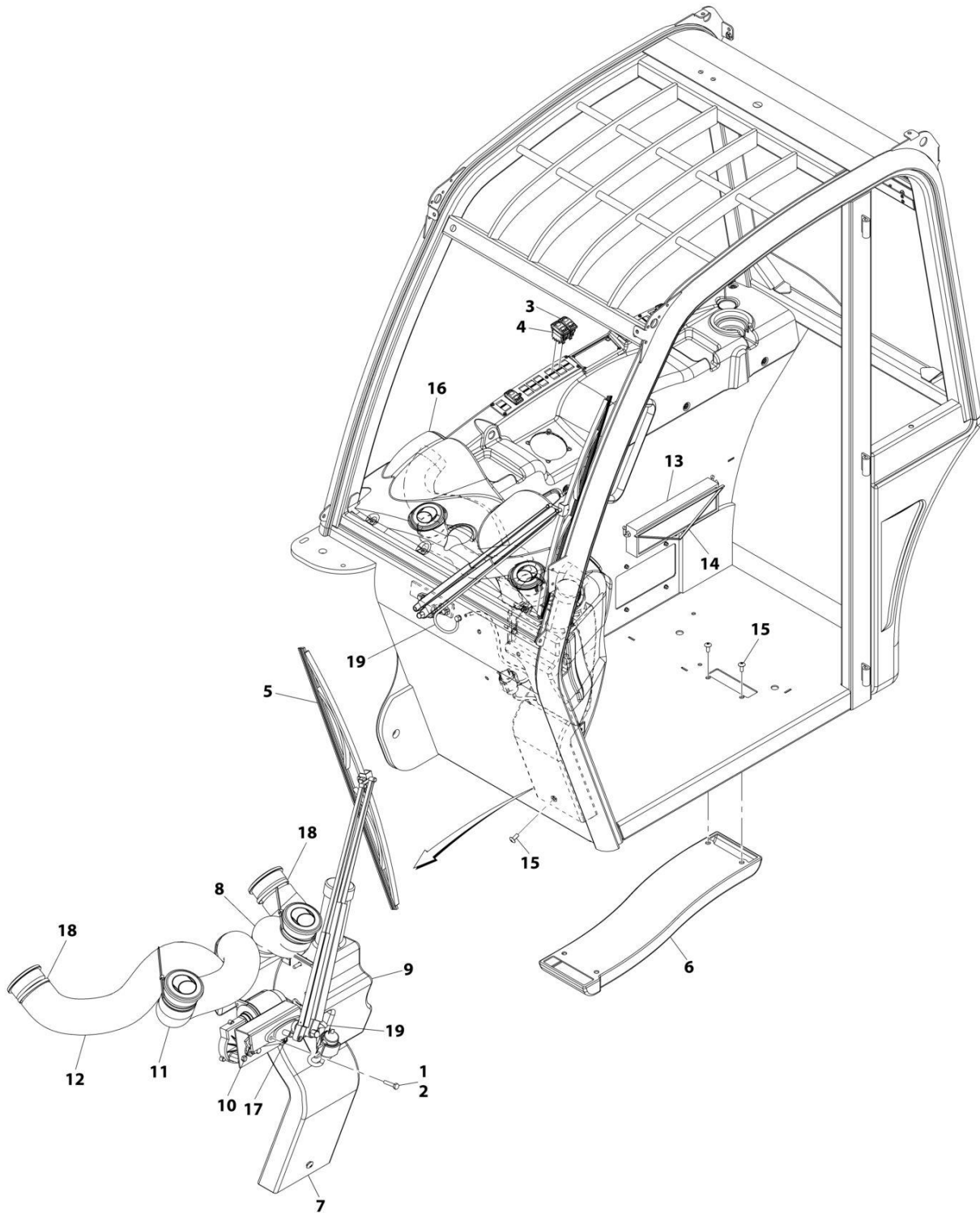
ITEM	PART NUMBER	QTY	DESCRIPTION	REV
	1001202007	Ref	Cab Common Installation	G
1	80325	1	Pin	
2	0641406	2	Bolt, 1/4-20X3/4	
3	0641408	7	Bolt, 1/4-20X1	
4	0641508	2	Bolt, 5/16-18X1	
5	0761012	4	Bolt, M10X25	
7	3931412	12	Screw	
9	4711500	2	Washer, 5/16	
10	4761400	9	Washer, Lock 1/4	
11	8035487	1	Screw	
12	8303034	15	Screw	
13	8307109	8	Washer	
14	8310053	4	Washer	
15	8466306	1	Gage, Tilt Angle	
16	88521205	4	Nut, Lock	
17	1001080371	1	Switch	
18	1001080380	1	Switch	
19	1001080462	1	Wheel, Steering	
20	1001080493	1	Console	
21	1001080500	1	Assembly, Hydraulic Controller (See Separate Breakdown in Controls Section)	
22	1001080559	1	Assembly, Master Cylinder Valve (See Separate Breakdown in Controls Section)	
23	1001239184	1	Chart, Load	
24	1001080900	1	Clamp	
25	1001080983	1	Bracket	
26	1001080986	4	Screw	
27	1001080987	4	Nut	
28	1001080988	4	Washer	
29	1001081049	1	Grommet	
32	1001081151	1	Bracket	
33	1001081152	1	Reservoir, Brake	
34	1001081153	1	Hose	
35	1001098235	1	Harness, Mode Select (See Separate Breakdown in Electrical Section)	
36	1001108079	2	Screw	
37	1001108194	8	Screw	
39	1001114867	1	Screw	
40	1001117158	1	Plate	
41	1001137657	1	Guage	
42	1001138639	1	Assembly, Accelerator Pedal (See Separate Breakdown in Controls Section)	
43	1001156087	2	Clamp	
44	1001189734	1	Installation, Brake Pedal (See Separate Breakdown in Controls Section)	
46	1001202006	1	Assembly, Steering Valve (See Separate Breakdown in Hydraulic Components Section)	
47	1001080418	1	Harness	
48	1001156577	1	Decal, Fuse	
49	4832000	1	Washer, Lock M10	
50	1001207837	1	Panel	

SECTION 6 - CAB

ITEM	PART NUMBER	QTY	DESCRIPTION	REV
52	1001208119	1	Plate	
53	1001208593	1	Harness, Cab (See Separate Breakdown in Electrical Section)	

SECTION 6 - CAB

FIGURE 6-9. CAB COMMON COMPONENTS, ENCLOSED



ART_1001213757-B

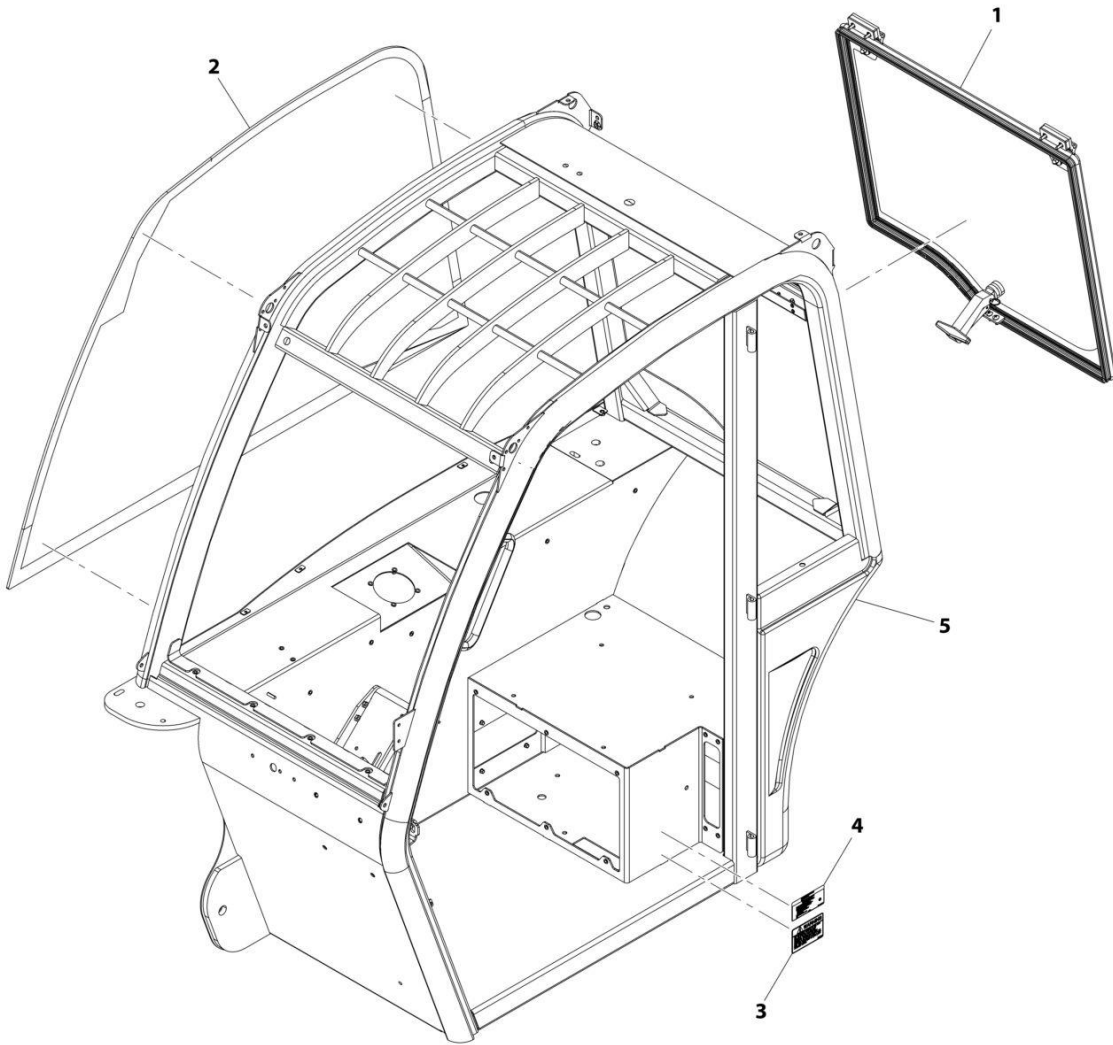
SECTION 6 - CAB

FIGURE 6-9. CAB COMMON COMPONENTS, ENCLOSED

ITEM	PART NUMBER	QTY	DESCRIPTION	REV
	1001213757	Ref	Cab Common Components, Enclosed	B
1	0100011	AR	Compound, Locking	
2	0651410	2	Hex HD Capscrew, 1/4-28X1-1/4	
3	1001080367	1	Front Windshield Washer Switch	
4	1001080368	1	Front Wiper Switch	
5	1001080499	1	Assembly, Front Wiper (See Separate Breakdown in this Section)	
6	1001080862	1	Lower Duct	
7	1001080863	1	Front Duct	
8	1001080931	2	Duct Hose	
9	1001080933	1	Installation, Washer Tank W/Pump (See Separate Breakdown in this Section)	
10	1001081306	1	Front Wiper Spacer	
11	1001081331	1	Duct Hose	
12	1001081332	1	Duct Hose	
13	1001081375	1	Cab Air Filter	
14	1001081376	1	Cab Air Filter Seal Ring	
15	1001108196	6	Screw	
16	1001137943	1	Installation, Dash Enclosed Cab (See Separate Breakdown in this Section)	
17	1001189653	1	Spacer	
18	01043892	8	Tie wrap	
19	82033997	408 mm	Window Washer Hose	

SECTION 6 - CAB

FIGURE 6-10. CAB GLASS INSTALLATION, OPEN



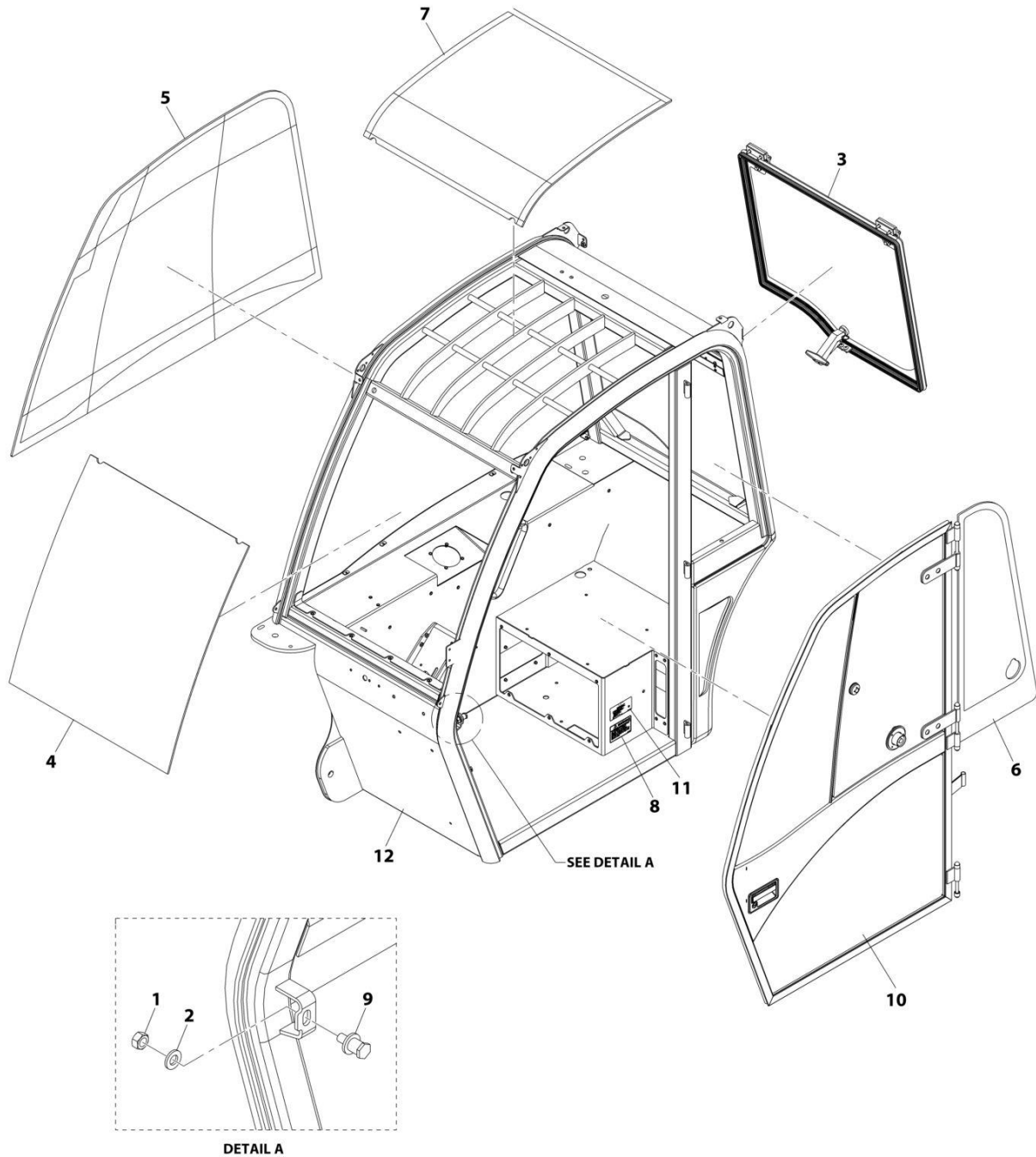
ART_1001208616-E

FIGURE 6-10. CAB GLASS INSTALLATION, OPEN

ITEM	PART NUMBER	QTY	DESCRIPTION	REV
	1001208616	Ref	Cab Glass Installation, Open	E
1	1001080796	1	Assembly, Rear Window (See Separate Breakdown in this Section)	
2	1001080798	1	Window, Right Side	
3	1001109365	1	Decal, ROPS Warning	
4	N.S.S.	1	SN Plate	
5	N.S.S.	1	Cab Weldment	

SECTION 6 - CAB

FIGURE 6-11. CAB GLASS INSTALLATION, ENCLOSED



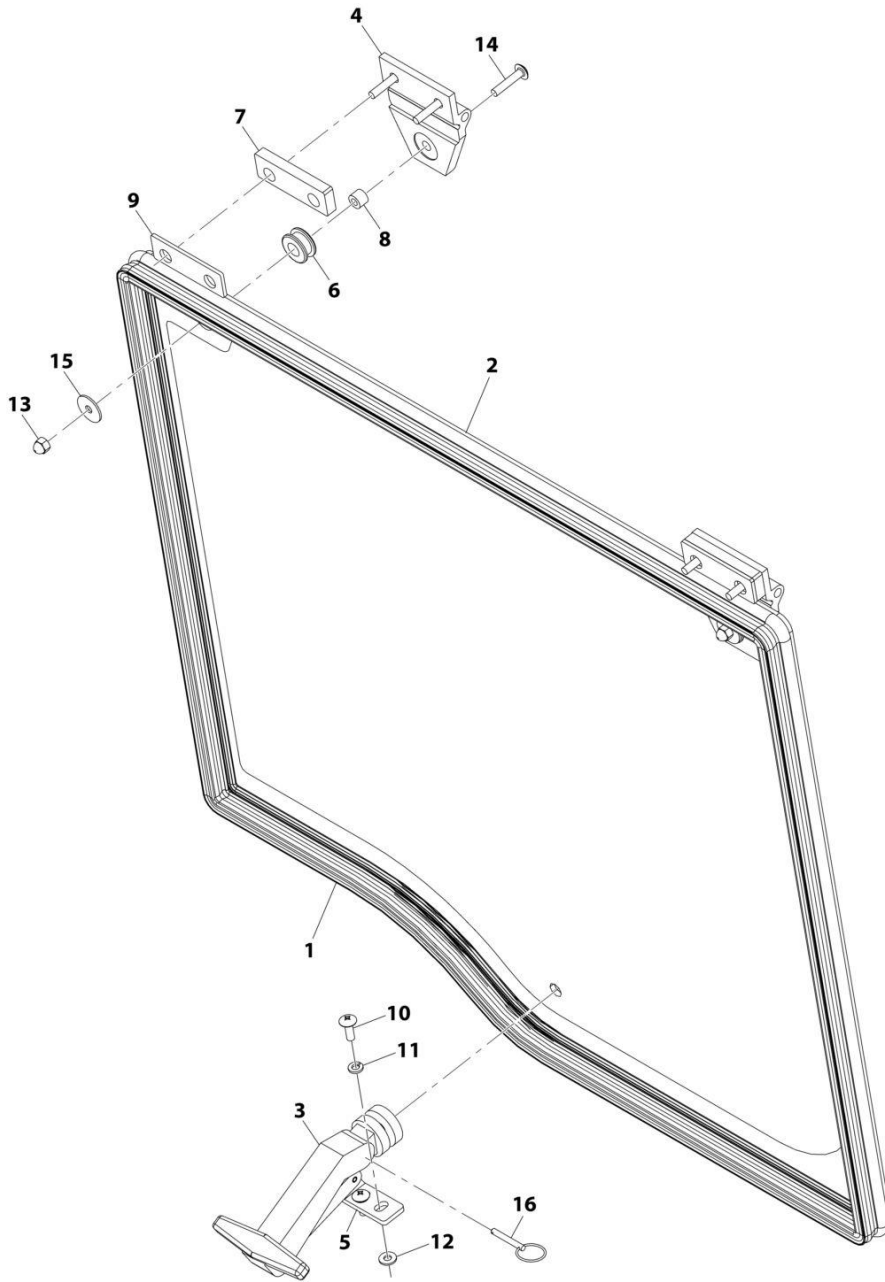
ART_1001208617-E

FIGURE 6-11. CAB GLASS INSTALLATION, ENCLOSED

ITEM	PART NUMBER	QTY	DESCRIPTION	REV
	1001208617	Ref	Cab Glass Installation, Enclosed	E
1	3291201	1	Nut, M12X1.75	
2	1001009126	1	Washer	
3	1001080796	1	Rear Window Assembly (See Separate Breakdown in this Section)	
4	1001080797	1	Front Glass	
5	1001080798	1	Right Side Glass	
6	1001080801	1	Left Rear Glass	
7	1001080821	1	Skylight Glass	
8	1001109365	1	ROPS Warning Decal	
9	1001109478	1	Striker Latch	
10	1001150596	1	Installation, Door Assembly (See Separate Breakdown in this Section)	
11	N.S.S.	1	SN Plate	
12	N.S.S.	1	Cab Weldment	

SECTION 6 - CAB

FIGURE 6-12. REAR WINDOW ASSEMBLY



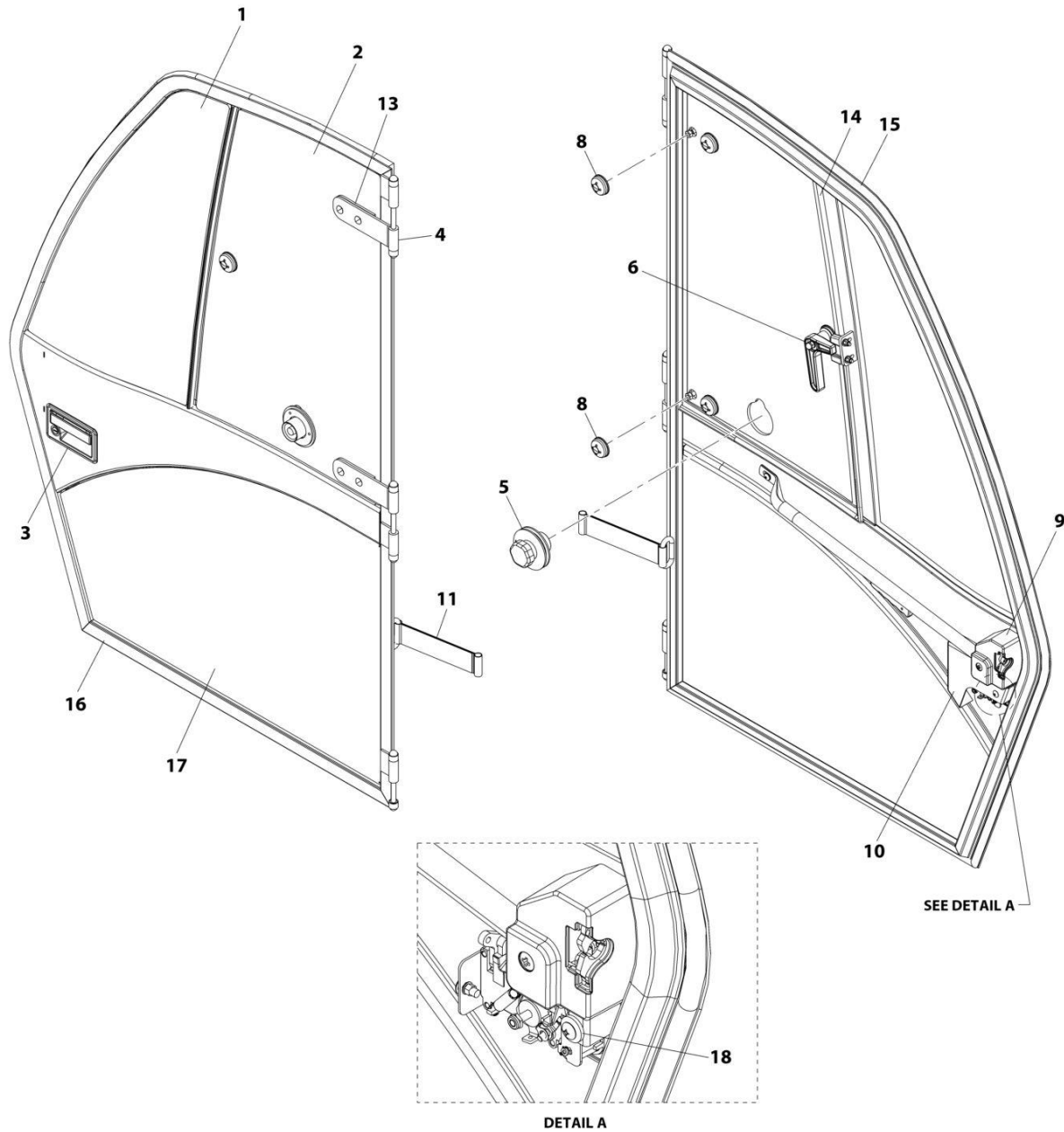
ART_1001080796-G

FIGURE 6-12. REAR WINDOW ASSEMBLY

ITEM	PART NUMBER	QTY	DESCRIPTION	REV
	1001080796	Ref	Rear Window Assembly	G
1	1001107997	1	Window Rear Seal	
2	1001080926	1	Rear Hinged Glass	
3	1001081280	1	T-Style Hold Open	
4	1001081281	2	Plastic Hinge	
5	1001081282	1	Rear Window Latch Bracket	
6	1001081283	2	Grommet	
7	1001081284	2	Hinge Seal	
8	1001081285	2	Bushing	
9	1001081289	2	Hinge Mounting Pad	
10	1001108161	2	Truss HD Screw, 1/4-20X3/4	
11	1001108547	2	Lockwasher, 1/4	
12	1001108548	2	Washer, 1/4	
13	1001108549	2	Nut, 1/4-20	
14	1001110067	6	Torx Screw, 1/4-20X1-1/4	
15	1001108552	2	Flat Washer, 1/4	
16	1001109417	1	Detent Ring Pin	

SECTION 6 - CAB

FIGURE 6-13. DOOR ASSEMBLY INSTALLATION



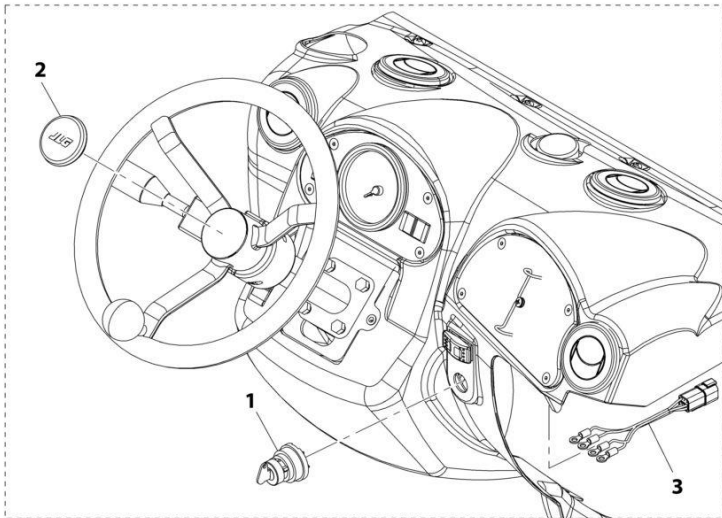
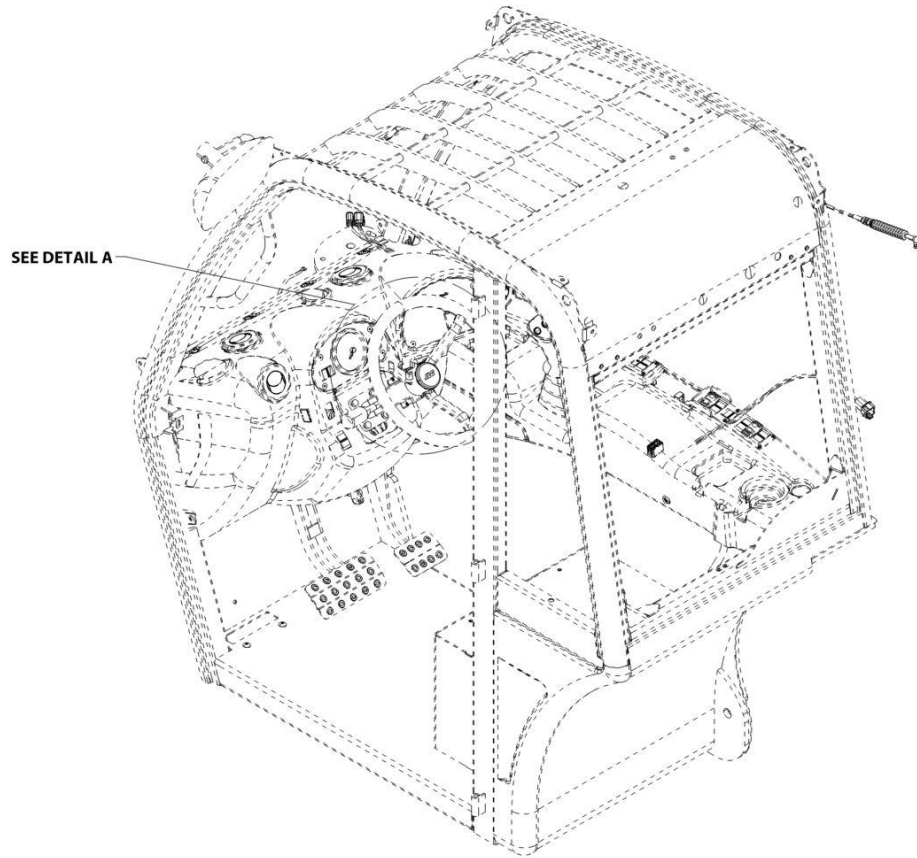
ART_1001150596-E

FIGURE 6-13. DOOR ASSEMBLY INSTALLATION

ITEM	PART NUMBER	QTY	DESCRIPTION	REV
	1001150596	Ref	Door Assembly Installation	E
1	1001081235	1	Fixed Door Glass	
2	1001081236	1	Hinged Door Glass	
3	1001081241	1	Latch, Paddle W/Key	
3	8342813	1	Key, (Set of Two)	
4	1001081242	2	Hinge	
5	1001081243	1	Window Lock Latch	
6	1001081244	1	Window Latch	
8	1001081246	5	Window Cap	
9	1001081247	1	Door Handle	
10	1001081248	1	Door Latch Cover	
11	1001081249	1	Door Restraint Strap	
13	1001081266	2	Spacer	
14	1001081268	1	Hinged Glass Seal	
15	1001081314	1	Door Seal	
16	1001080867JO	1	Door Frame	
17	1001081239	1	Cab Door Panel	
18	1001165585	1	Flat Washer	

SECTION 6 - CAB

FIGURE 6-14. JLG COMMON INSTALLATION



DETAIL A

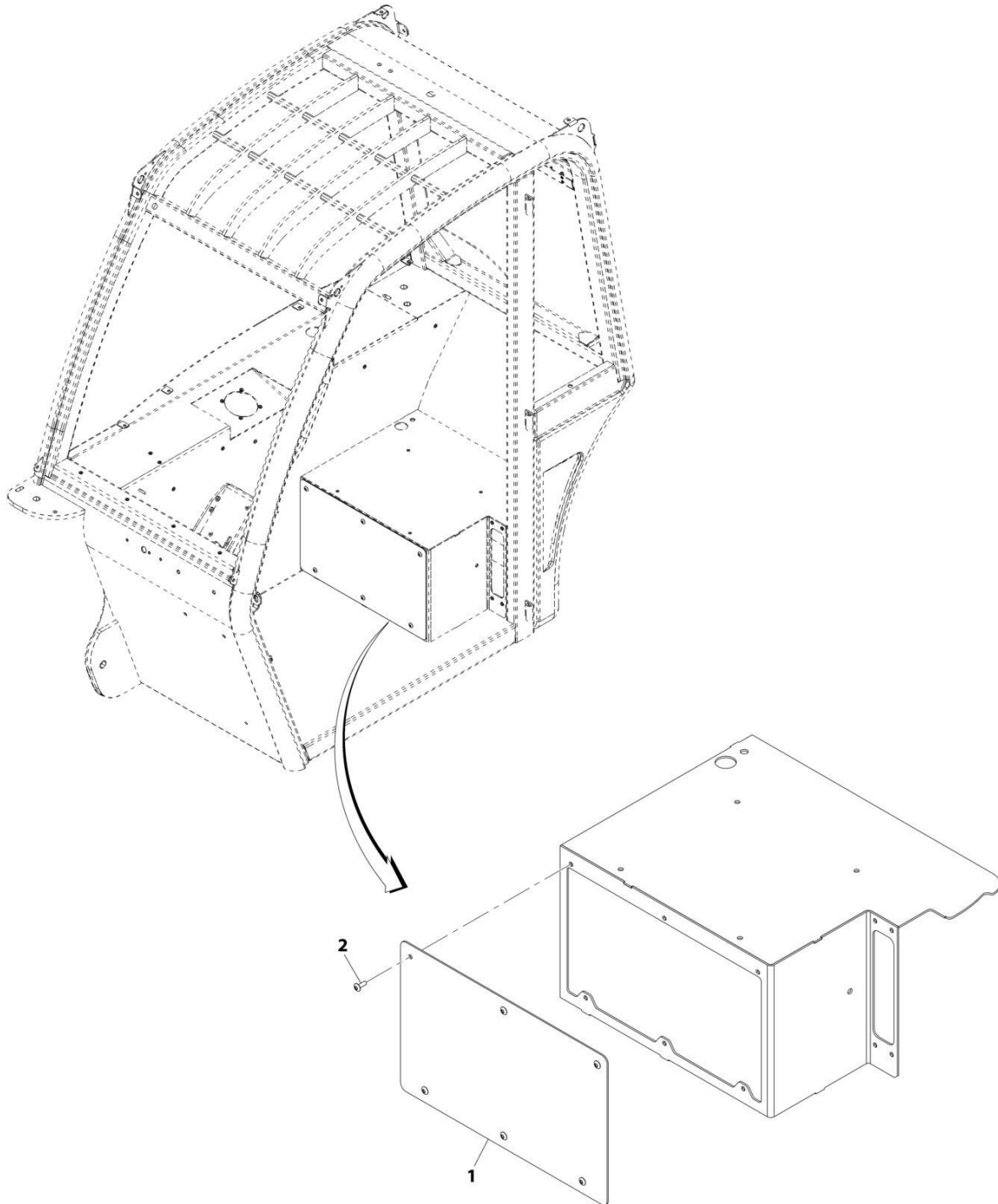
ART_1001080742-B

FIGURE 6-14. JLG COMMON INSTALLATION

ITEM	PART NUMBER	QTY	DESCRIPTION	REV
	1001080742	Ref	JLG Common Installation	B
1	1001080379	1	Ignition Switch	
2	1001080463	1	Center Cap	
3	1001100053	1	Start Switch Jumper Harness	

SECTION 6 - CAB

FIGURE 6-15. SEAT RISER COVER INSTALLATION



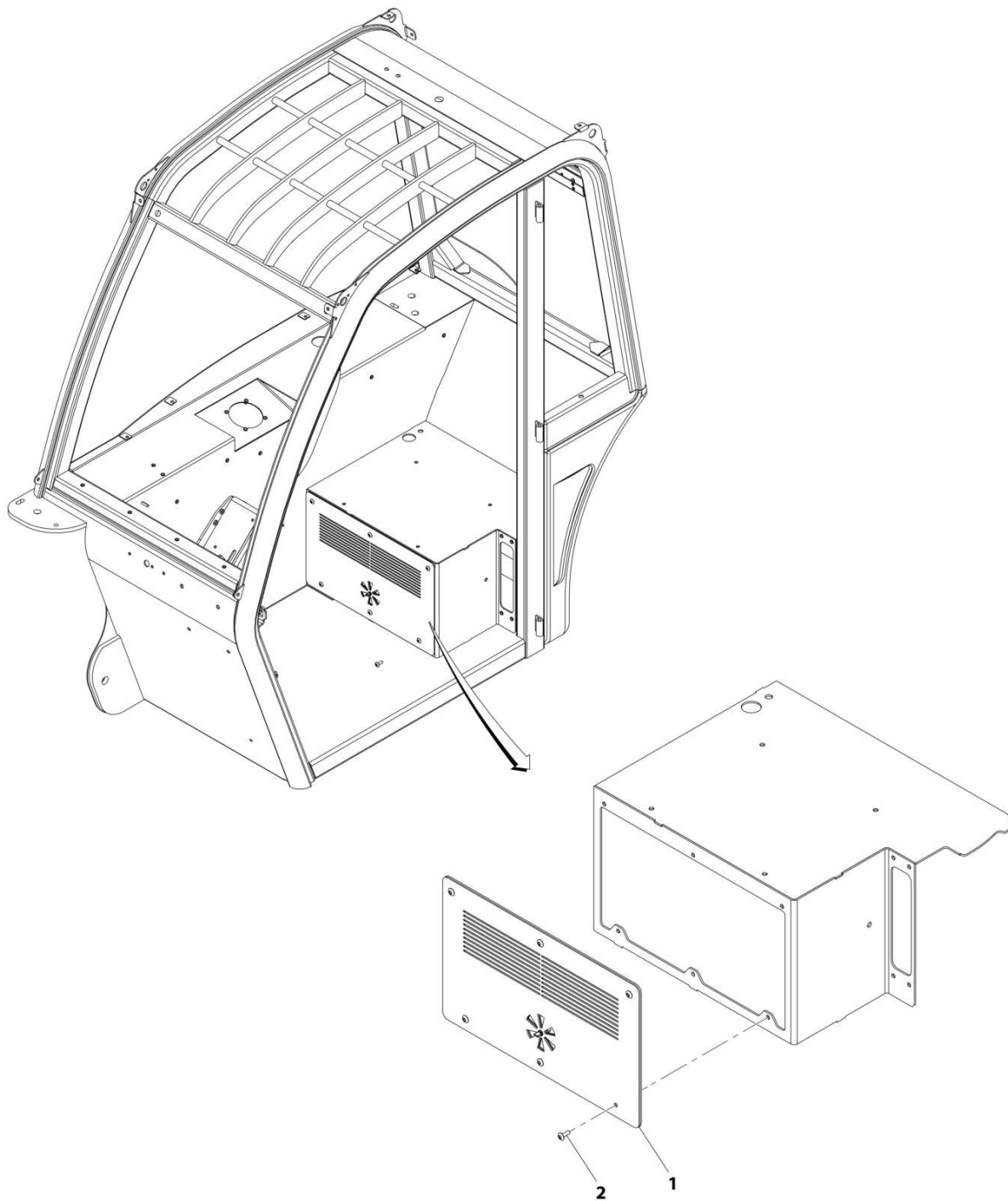
ART_1001137623-B

FIGURE 6-15. SEAT RISER COVER INSTALLATION

ITEM	PART NUMBER	QTY	DESCRIPTION	REV
	1001137623	Ref	Seat Riser Cover Installation	B
1	1001137574	1	Panel	
2	8303034	6	Screw	

SECTION 6 - CAB

FIGURE 6-16. SEAT RISER COVER INSTALLATION, HVAC



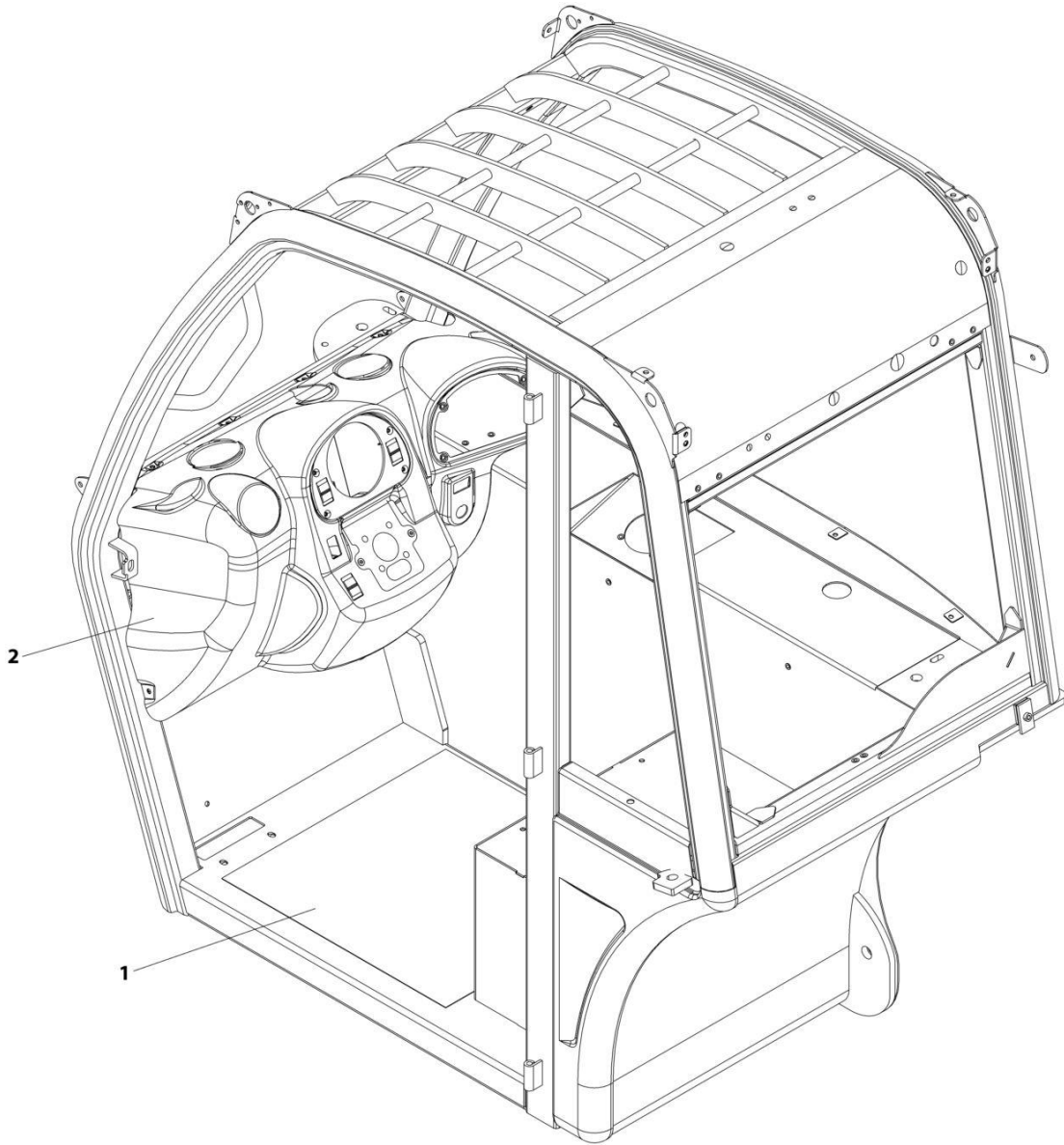
ART_1001137621-C

FIGURE 6-16. SEAT RISER COVER INSTALLATION, HVAC

ITEM	PART NUMBER	QTY	DESCRIPTION	REV
	1001137621	Ref	Seat Riser Cover Installation, HVAC	C
1	1001189948	1	HAVC Cover Panel	
2	8303034	6	Screw, 1/4-20X3/4	

SECTION 6 - CAB

FIGURE 6-17. OPEN CAB COMMON COMPONENTS INSTALLATION



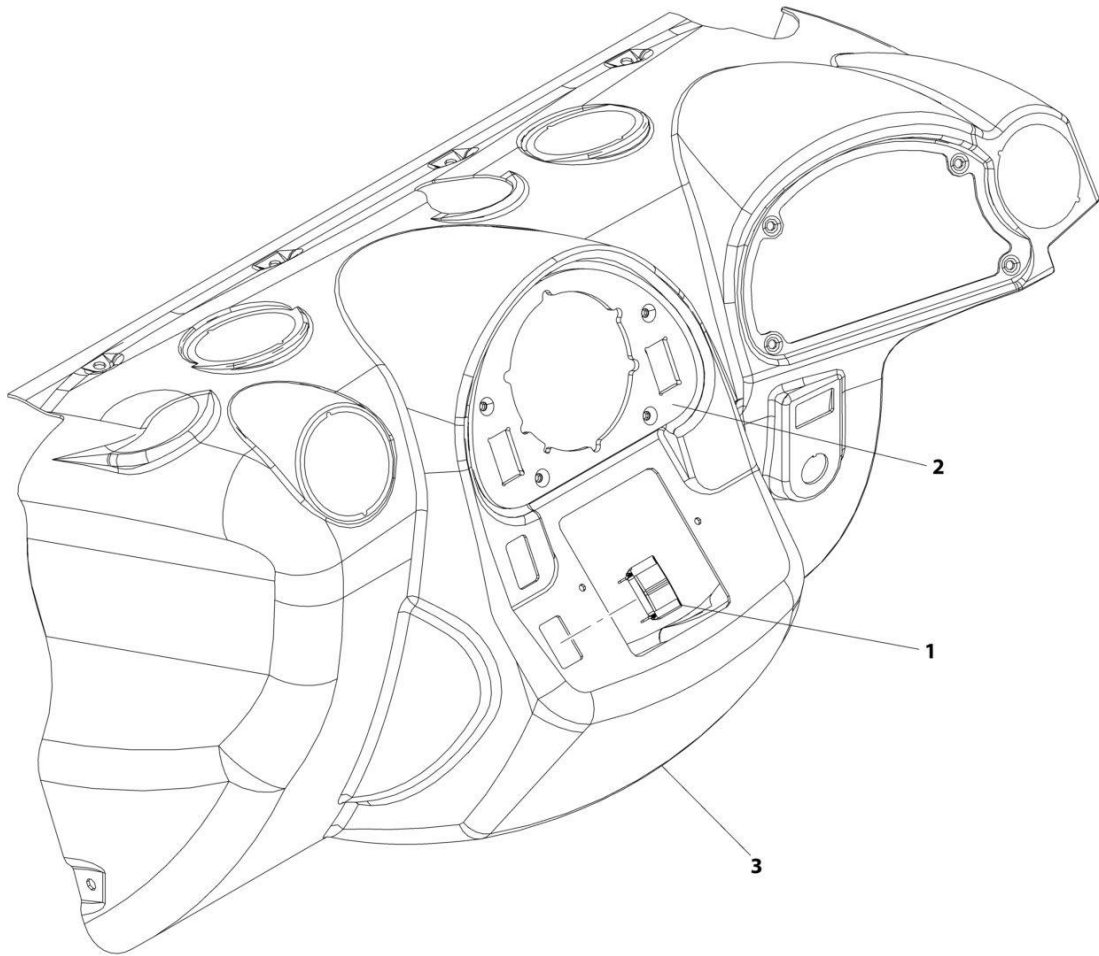
ART_1001138582-A

FIGURE 6-17. OPEN CAB COMMON COMPONENTS INSTALLATION

ITEM	PART NUMBER	QTY	DESCRIPTION	REV
	1001138582	Ref	Open Cab Common Components Installation	A
1	1001080847	1	Skid, Floor	
2	1001139481	1	Installation, Open Cab Dash (See Separate Breakdown in this Section)	

SECTION 6 - CAB

FIGURE 6-18. DASH INSTALLATION, OPEN CAB



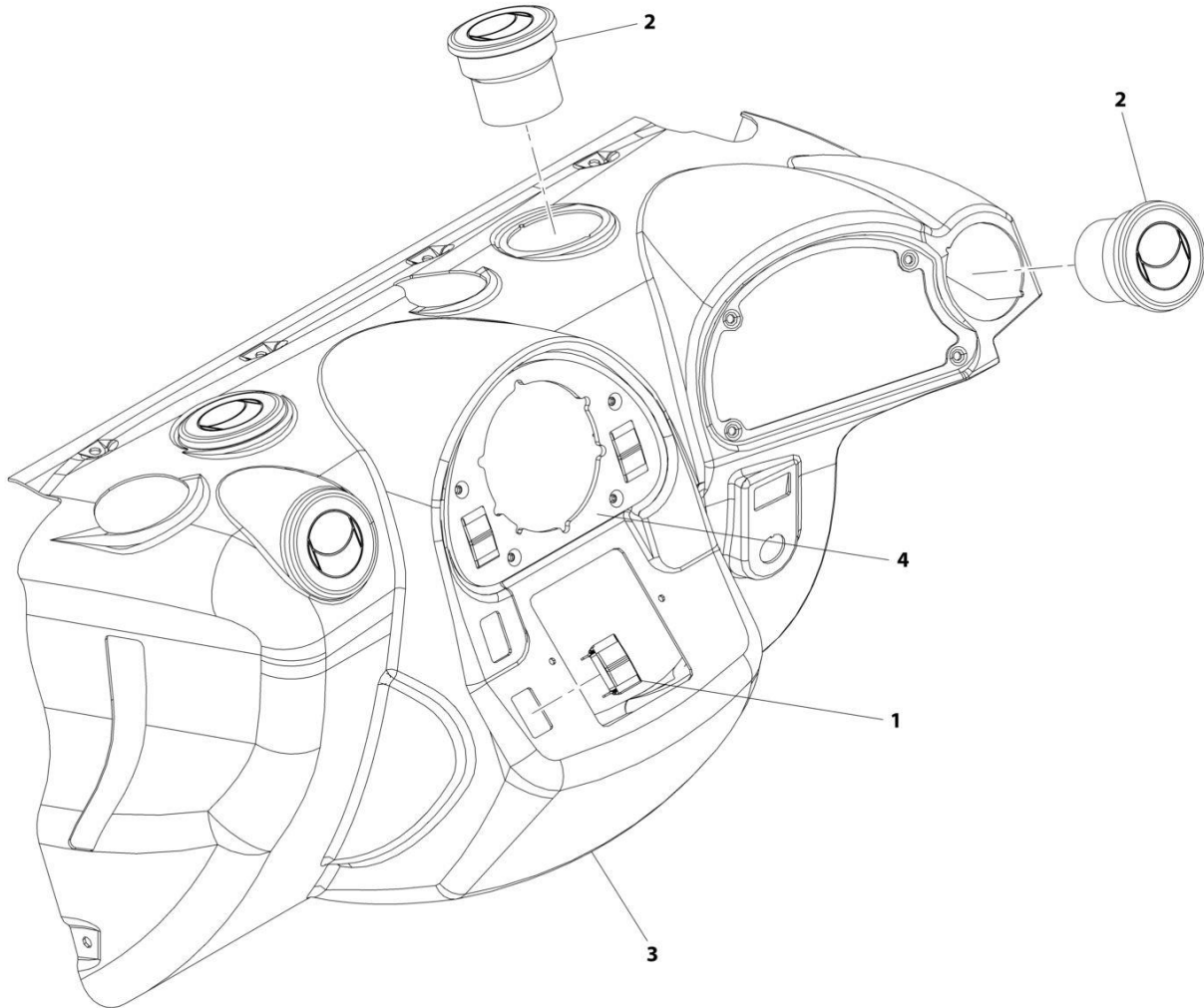
ART_1001139481-C

FIGURE 6-18. DASH INSTALLATION, OPEN CAB

ITEM	PART NUMBER	QTY	DESCRIPTION	REV
	1001139481	Ref	Dash Installation, Open Cab	C
1	1001080494	1	Switch Cover	
2	1001137985	1	Dash Mount	
3	1001153624	1	Cab Dash Cover	

SECTION 6 - CAB

FIGURE 6-19. DASH INSTALLATION, ENCLOSED CAB



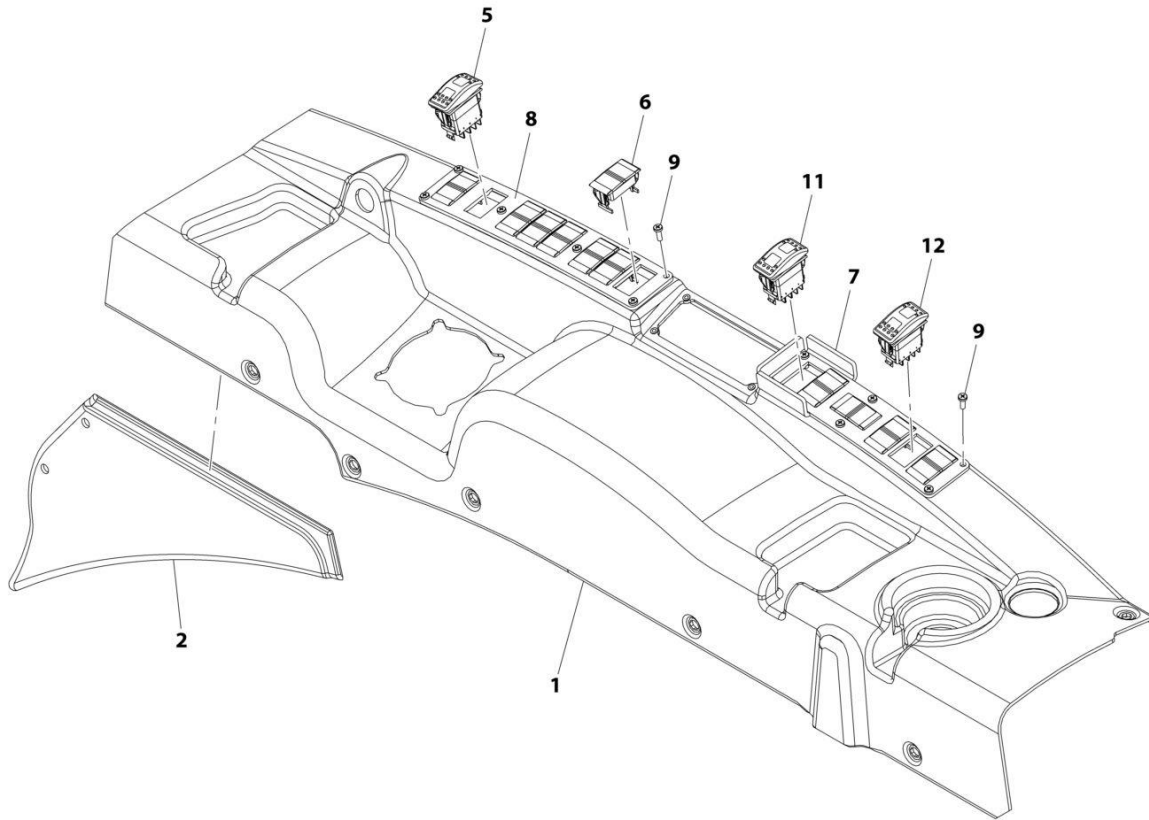
ART_1001137943-C

FIGURE 6-19. DASH INSTALLATION, ENCLOSED CAB

ITEM	PART NUMBER	QTY	DESCRIPTION	REV
	1001137943	Ref	Dash Installation, Enclosed Cab	C
1	1001080494	3	Cover Switch	
2	1001080848	4	Directional Vent	
3	1001153625	1	Cab Dash	
4	1001137985	1	Dash Mount	

SECTION 6 - CAB

FIGURE 6-20. RIGHT SIDE CONSOLE



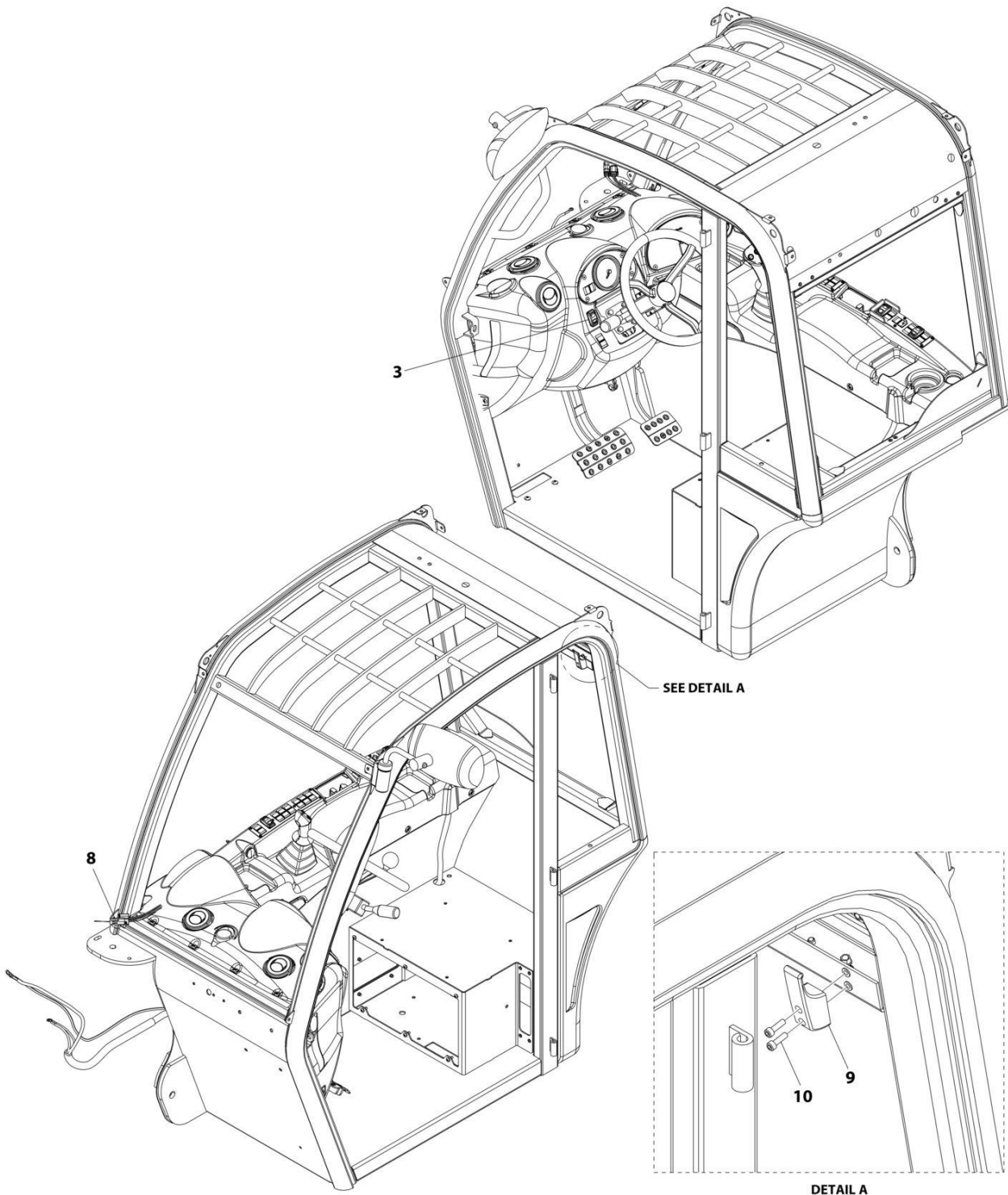
ART_1001080493-J

FIGURE 6-20. RIGHT SIDE CONSOLE

ITEM	PART NUMBER	QTY	DESCRIPTION	REV
	1001080493	Ref	Right Side Console	J
1	1001153627	1	Console	
2	1001153626	1	Lower Plastic Console	
5	1001080378	1	Steer Select Switch	
6	1001080494	11	Switch Cover	
7	1001080969	1	Switch Mount Panel, Six Gang	
8	1001080970	1	Switch Mount Panel, Eight Gang	
9	1001139011	12	Pan HD Screw, #8-32	
11	1001080978	1	Lift/Loader Joystick Pattern Switch	
12	1001104654	1	Auxiliary Hydraulics Pressure Relief Switch	

SECTION 6 - CAB

FIGURE 6-21. NA COMMON INSTALLATION



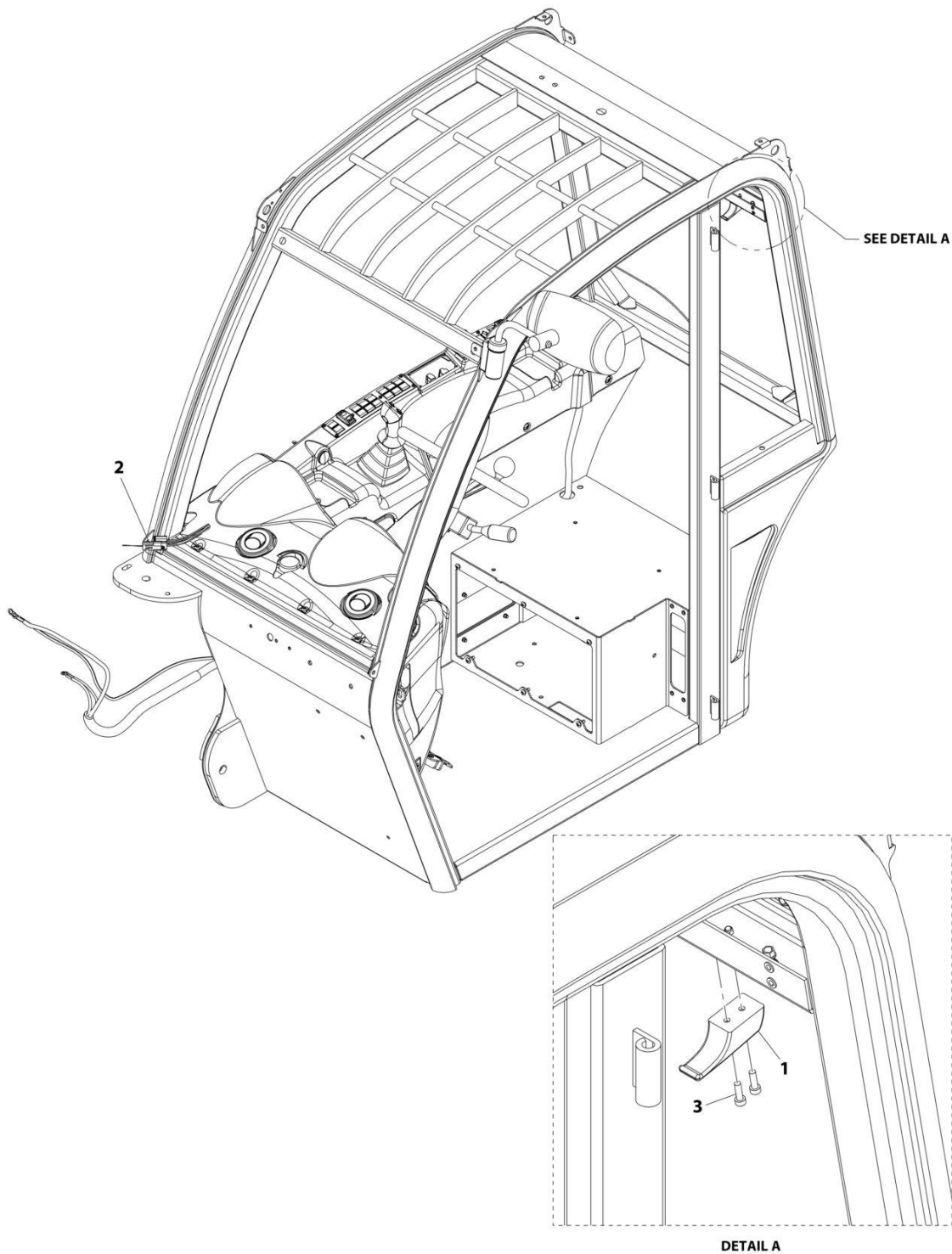
ART_1001080744-G

FIGURE 6-21. NA COMMON INSTALLATION

ITEM	PART NUMBER	QTY	DESCRIPTION	REV
	1001080744	Ref	NA Common Installation	G
3	1001080374	1	Switch	
8	1001100966	1	Jumper Harness	
9	1001080953	1	Hook	
10	3931010	2	Screw	

SECTION 6 - CAB

FIGURE 6-22. NA COMMON COMPONENTS INSTALLATION (LSI)



ART_1001236959-A

FIGURE 6-22. NA COMMON COMPONENTS INSTALLATION (LSI)

ITEM	PART NUMBER	QTY	DESCRIPTION	REV
	1001236959	Ref	NA Common Components Installation (LSI)	A
1	1001080953	1	Hook	
2	1001100966	1	Jumper Harness	
3	1001108155	2	Socket HD Capscrew, 10-24X5/8	

SECTION 6 - CAB

FIGURE 6-23. FRONT WIPER ASSEMBLY

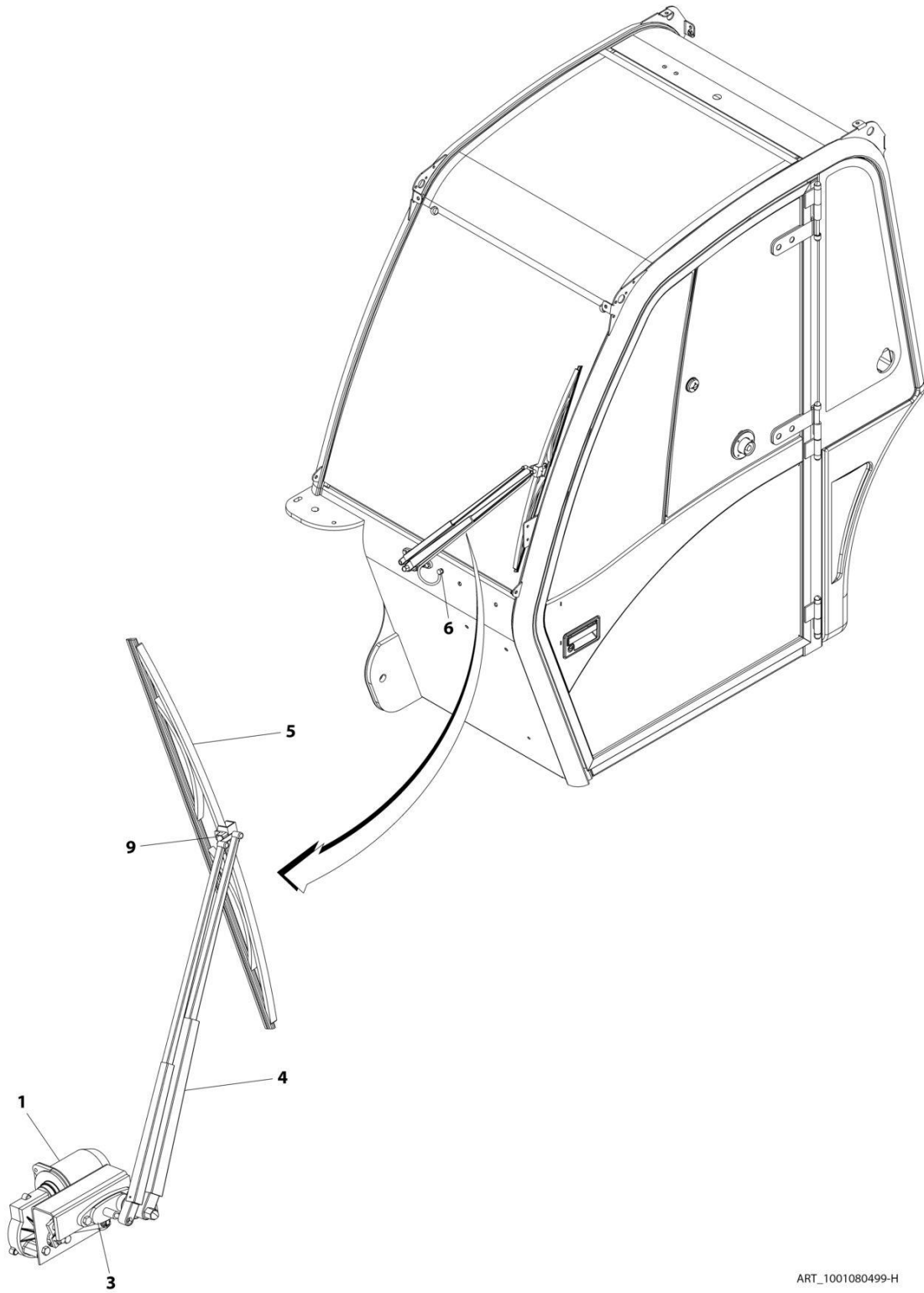
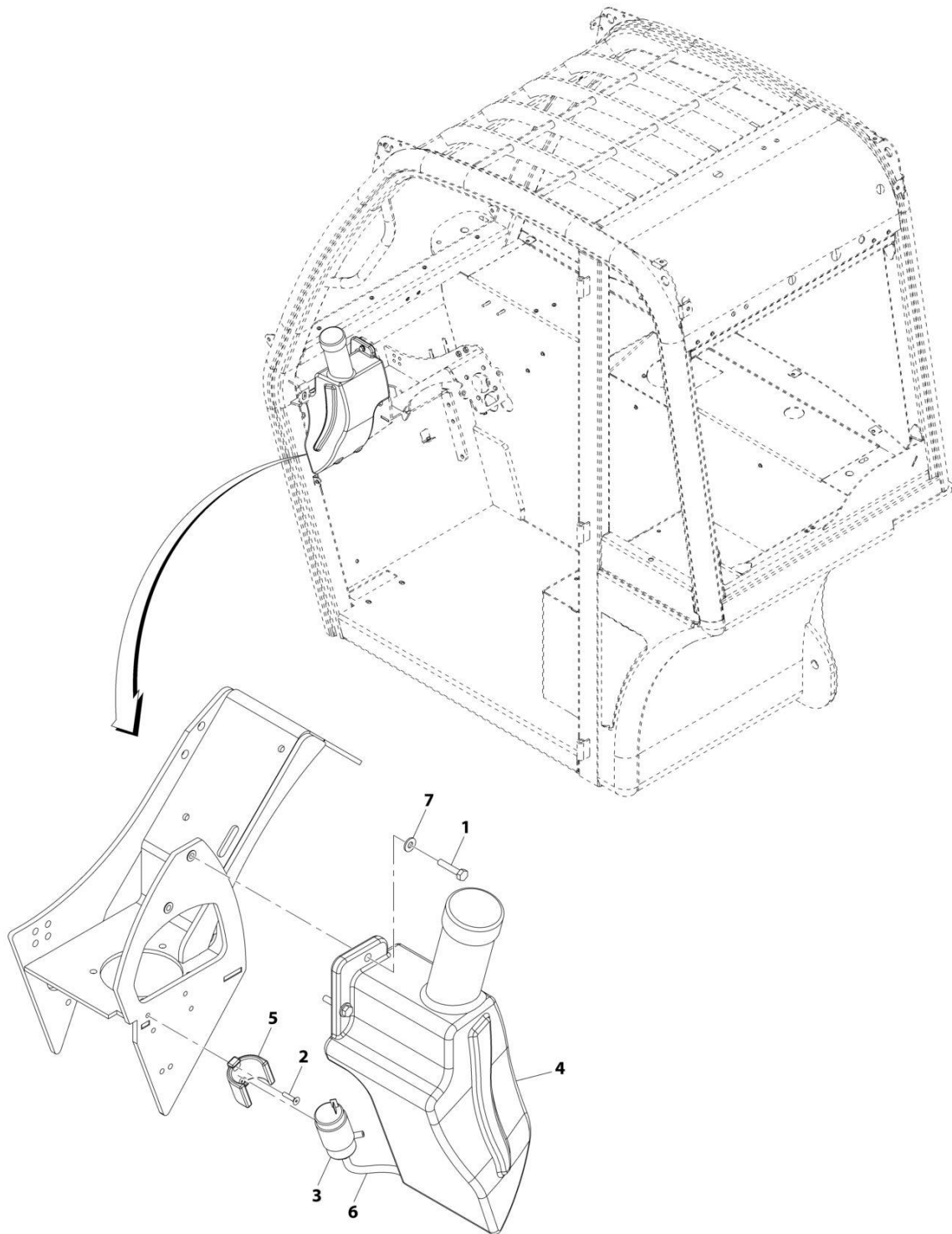


FIGURE 6-23. FRONT WIPER ASSEMBLY

ITEM	PART NUMBER	QTY	DESCRIPTION	REV
	1001080499	Ref	Front Wiper Assembly	H
1	1001080383	1	Front Wiper Motor	
3	1001081307	1	Adapter Kit	
4	1001081308	1	Wiper Arm	
5	1001081309	1	Wiper Blade	
6	1001081310	1	Wet Arm Adaptor	
9	1001081311	1	Wet Arm Kit	

SECTION 6 - CAB

FIGURE 6-24. WASHER TANK W/PUMP INSTALLATION



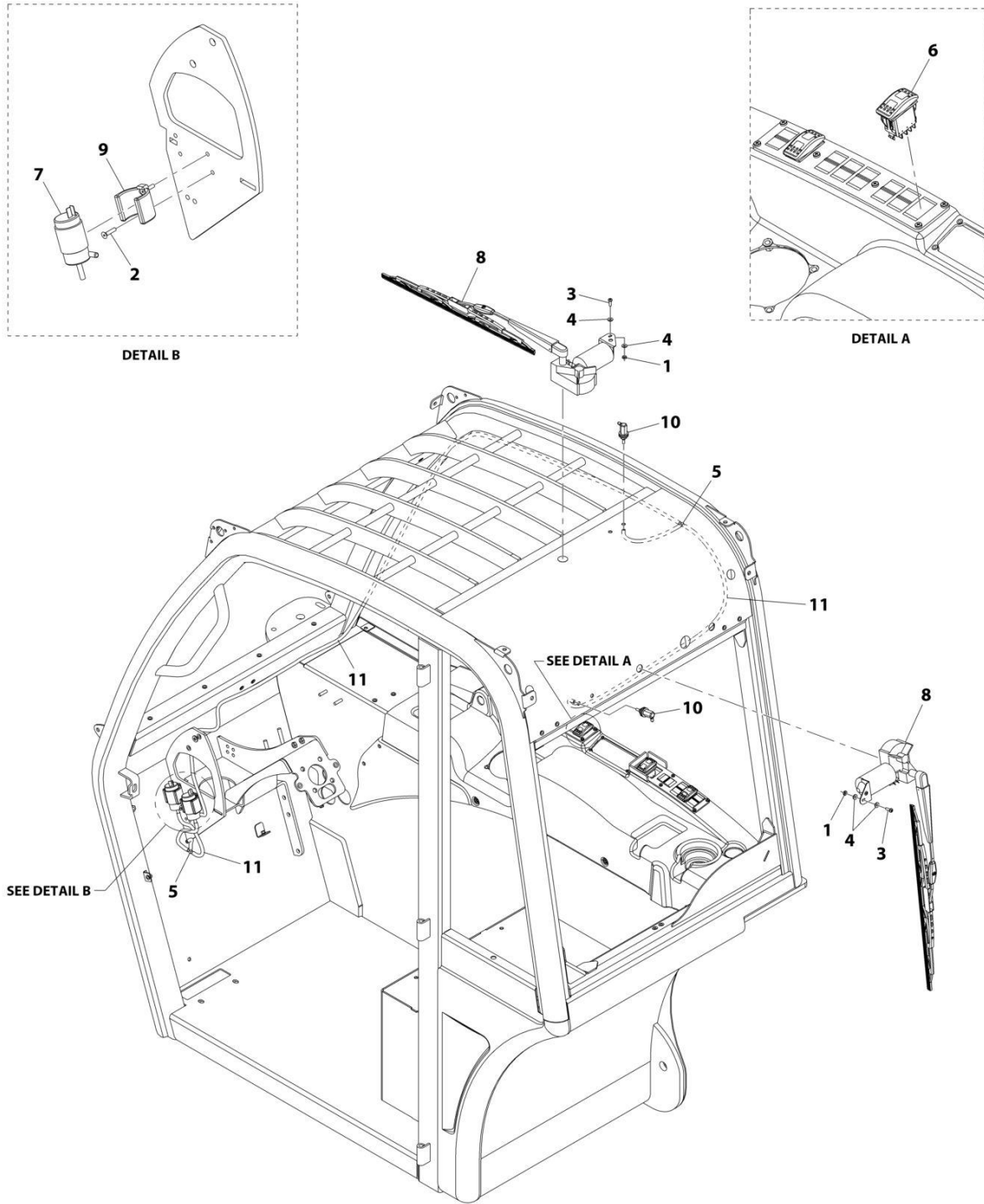
ART_1001080933-E

FIGURE 6-24. WASHER TANK W/PUMP INSTALLATION

ITEM	PART NUMBER	QTY	DESCRIPTION	REV
	1001080933	Ref	Washer Tank W/Pump Installation	E
1	0641410	2	Hex HD Capscrew, 1/4-20X1-1/4	
2	3900302	2	Stainless Steel Screw, #8	
3	1001080382	1	Washer Pump	
4	1001080824	1	Washer Fluid Tank Assembly (See Separate Breakdown in this Section)	
5	1001080932	1	Washer Pump Clamp	
6	82033997	5 in	Window Washer Hose	
7	4711400	2	Washer, 1/4	

SECTION 6 - CAB

FIGURE 6-25. ROOF/REAR WIPER INSTALLATION



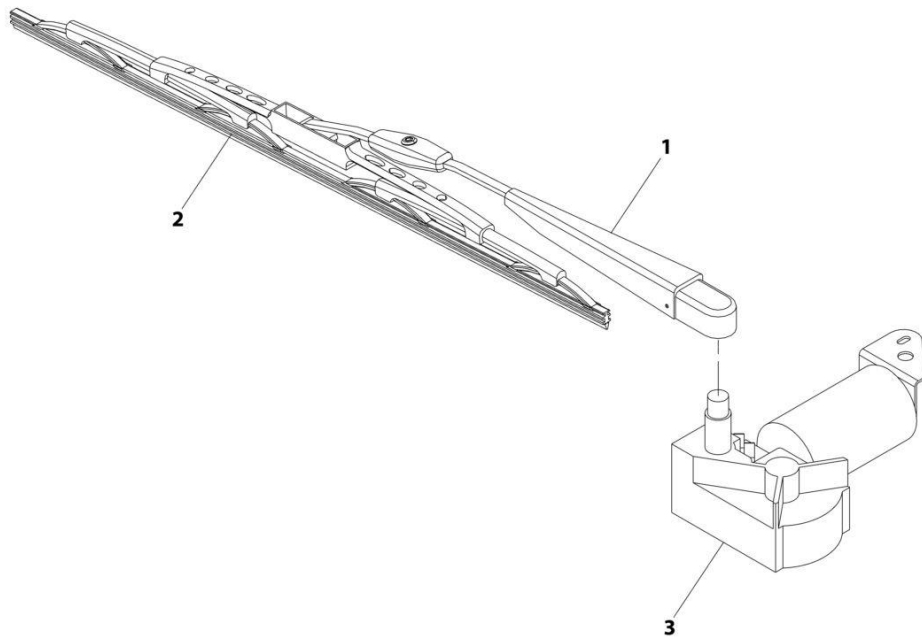
ART_1001080877-H

FIGURE 6-25. ROOF/REAR WIPER INSTALLATION

ITEM	PART NUMBER	QTY	DESCRIPTION	REV
	1001080877	Ref	Roof/Rear Wiper Installation	H
1	8305002	2	Nut, M10	
2	3900302	2	Socket HD Capscrew, GR8	
3	1001197099	2	Screw	
4	4740120	4	Nylon Washer	
5	1001008742	2	Tee Coupling	
6	1001080377	1	Rear/Roof Wiper Switch	
7	1001080382	1	Windshield Washer Pump	
8	1001179547	2	AUX Wiper Assembly (See Separate Breakdown in this Section)	
9	1001080932	1	Washer Pump Clamp	
10	1001080985	2	Spray Nozzle	
11	82033997	157 in	Hose	

SECTION 6 - CAB

FIGURE 6-26. AUX WIPER ASSEMBLY



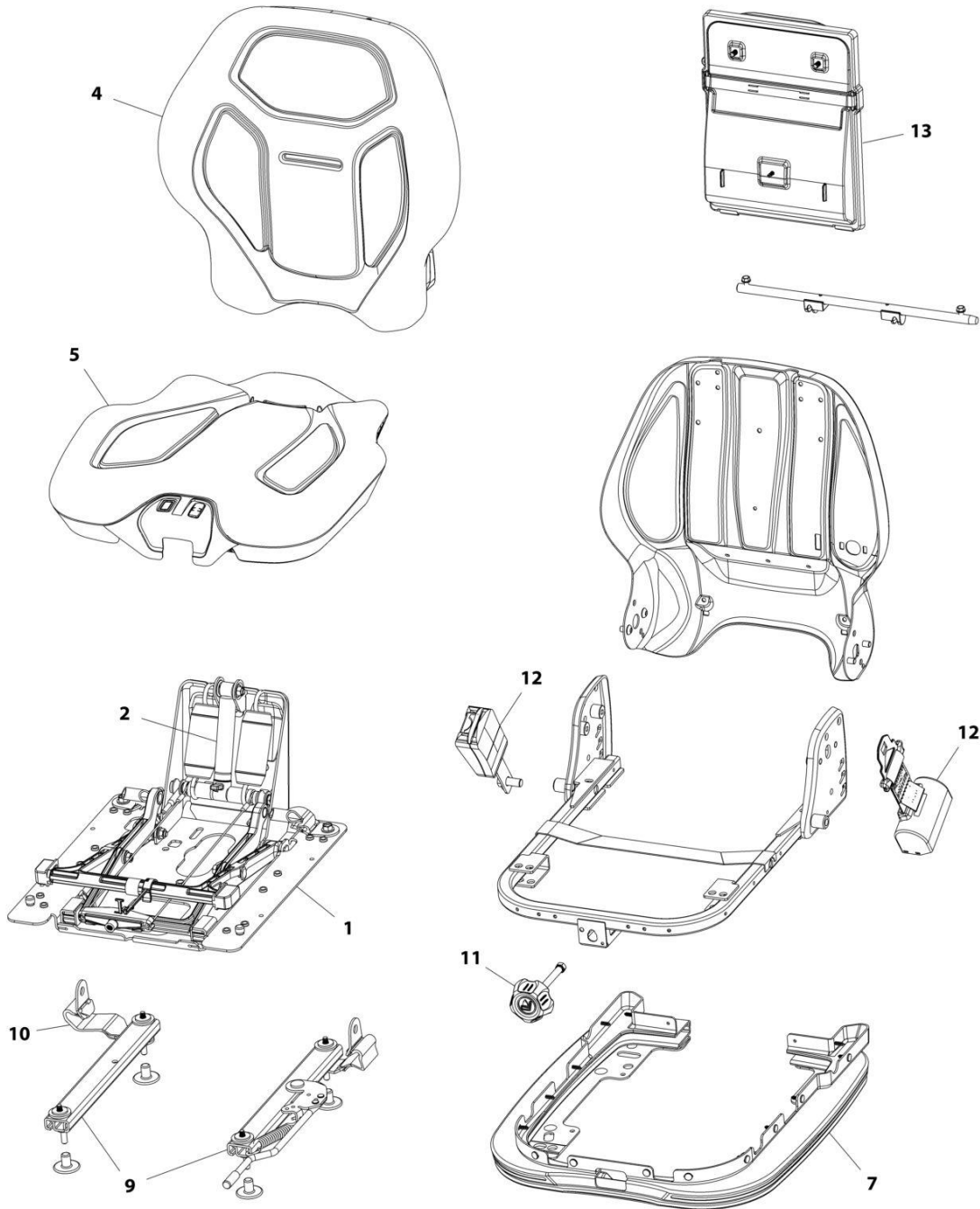
ART_1001179547-A

FIGURE 6-26. AUX WIPER ASSEMBLY

ITEM	PART NUMBER	QTY	DESCRIPTION	REV
	1001179547	Ref	AUX Wiper Assembly	A
1	1001179495	1	Wiper Link Assembly	
2	1001179496	1	Wiper	
3	1001179832	1	Motor	

SECTION 6 - CAB

FIGURE 6-27. SEAT



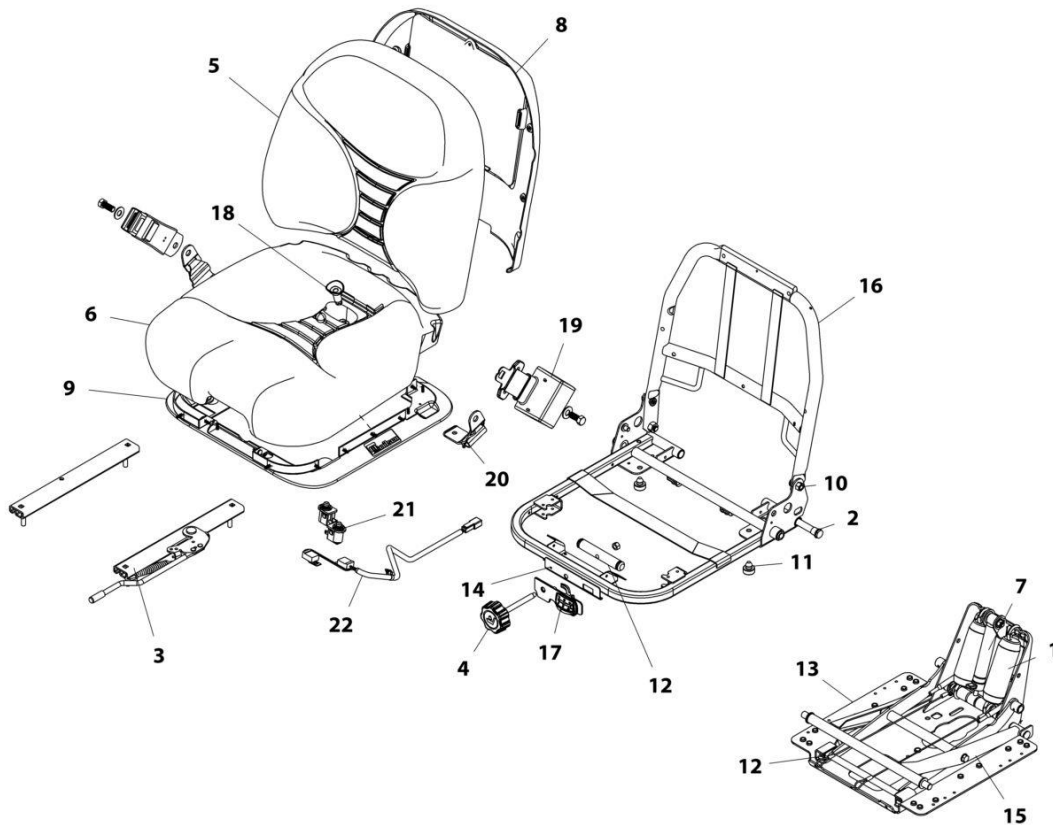
ART_1001197027-D

FIGURE 6-27. SEAT

ITEM	PART NUMBER	QTY	DESCRIPTION	REV
	1001197027	Ref	Seat	D
1	70027024	1	Suspension Assembly Kit	
2	70027025	1	Spring Saddle Assembly Kit	
4	70027026	1	Back Cushion Kit	
5	70027028	1	Seat Cushion Assembly Kit	
7	70027030	1	Boot Kit	
9	7026798	1	Adjuster Kit	
10	70027032	1	Tether Strap	
11	70027033	1	Weight Adjust Knob Kit	
12	70027034	2	Seat Belt Kit	
13	70027035	1	Document Box Kit	

SECTION 6 - CAB

FIGURE 6-28. SEAT, LSI



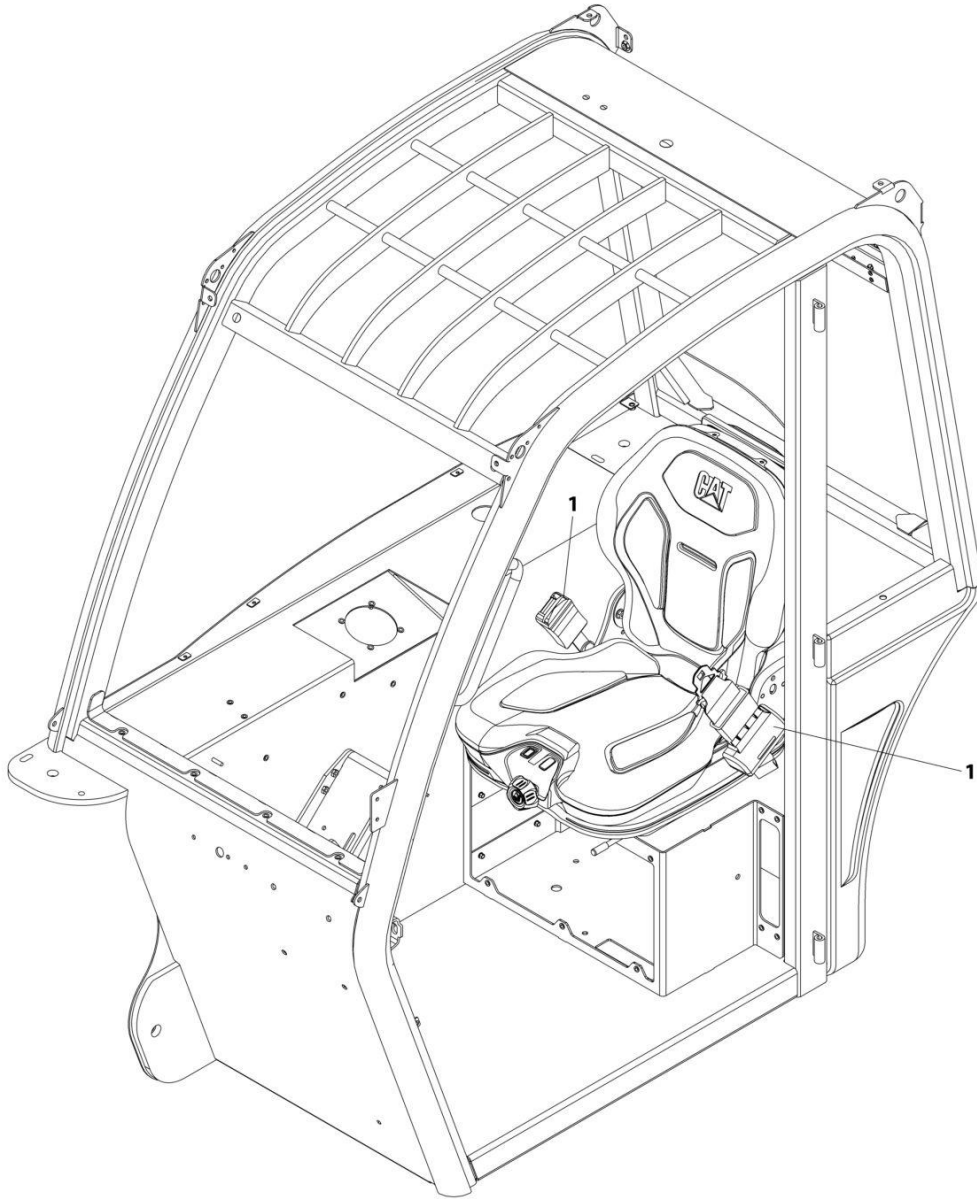
ART_1001142055-D

FIGURE 6-28. SEAT, LSI

ITEM	PART NUMBER	QTY	DESCRIPTION	REV
	1001142055	Ref	Seat, LSI	D
1	7026798	1	Slide Kit	
2	7026799	1	Knob Kit	
3	7026900	1	Back Cushion Kit	
4	7026901	1	Seat Cushion Kit	
5	7026905	1	Seat Belt Kit	
6	7026906	1	Tether Kit	
7	7026902	1	Back Panel Kit	
8	70023040	1	Shock Absorber Kit, (Not Shown), (Includes One Shock Absorber, Two Shock Pins And Two Hex Nuts)	
9	70023041	1	Spring and Saddle Kit, (Not Shown)	

SECTION 6 - CAB

FIGURE 6-29. SEAT BELT INSTALLATION (3 INCH)



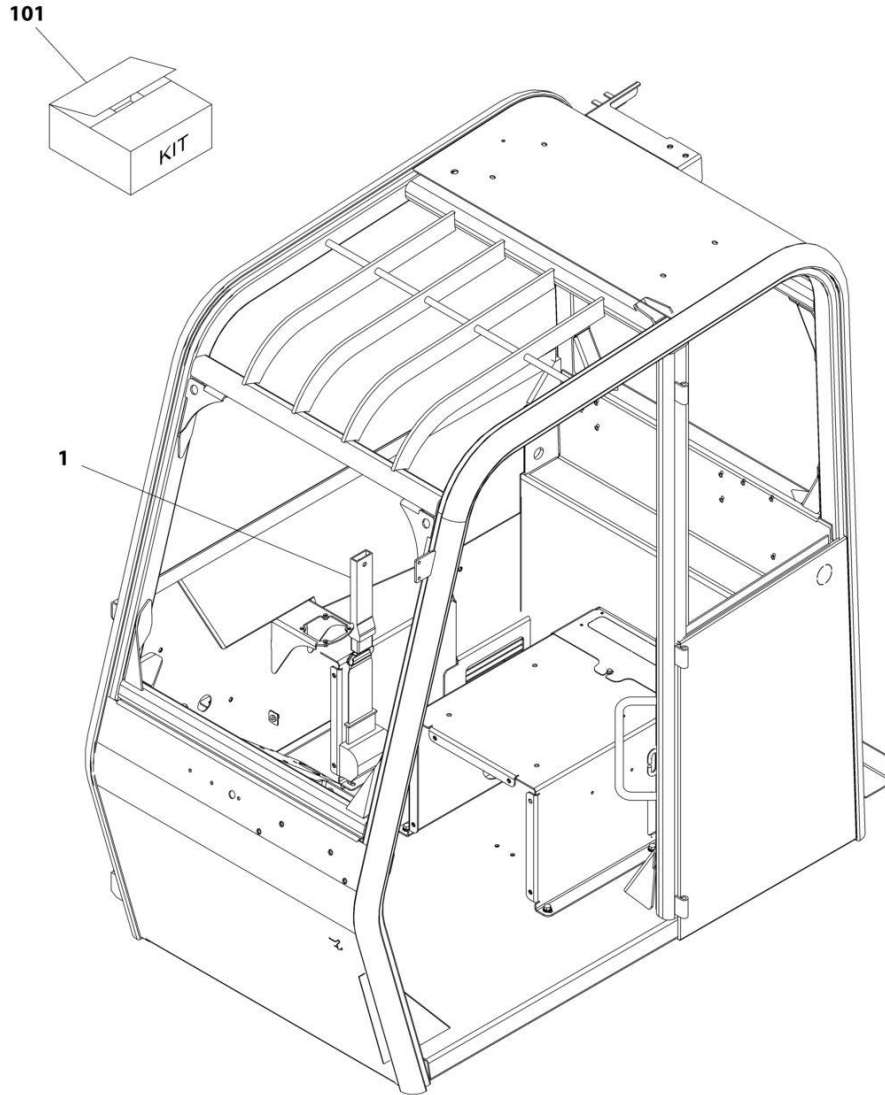
ART_1001233666-A

FIGURE 6-29. SEAT BELT INSTALLATION (3 INCH)

ITEM	PART NUMBER	QTY	DESCRIPTION	REV
1	1001233666	Ref	Seat Belt Installation (3 Inch)	A
	1001215778	1	Seat Belt	

SECTION 6 - CAB

FIGURE 6-30. SEAT BELT INSTALLATION, LSI (3 INCH)



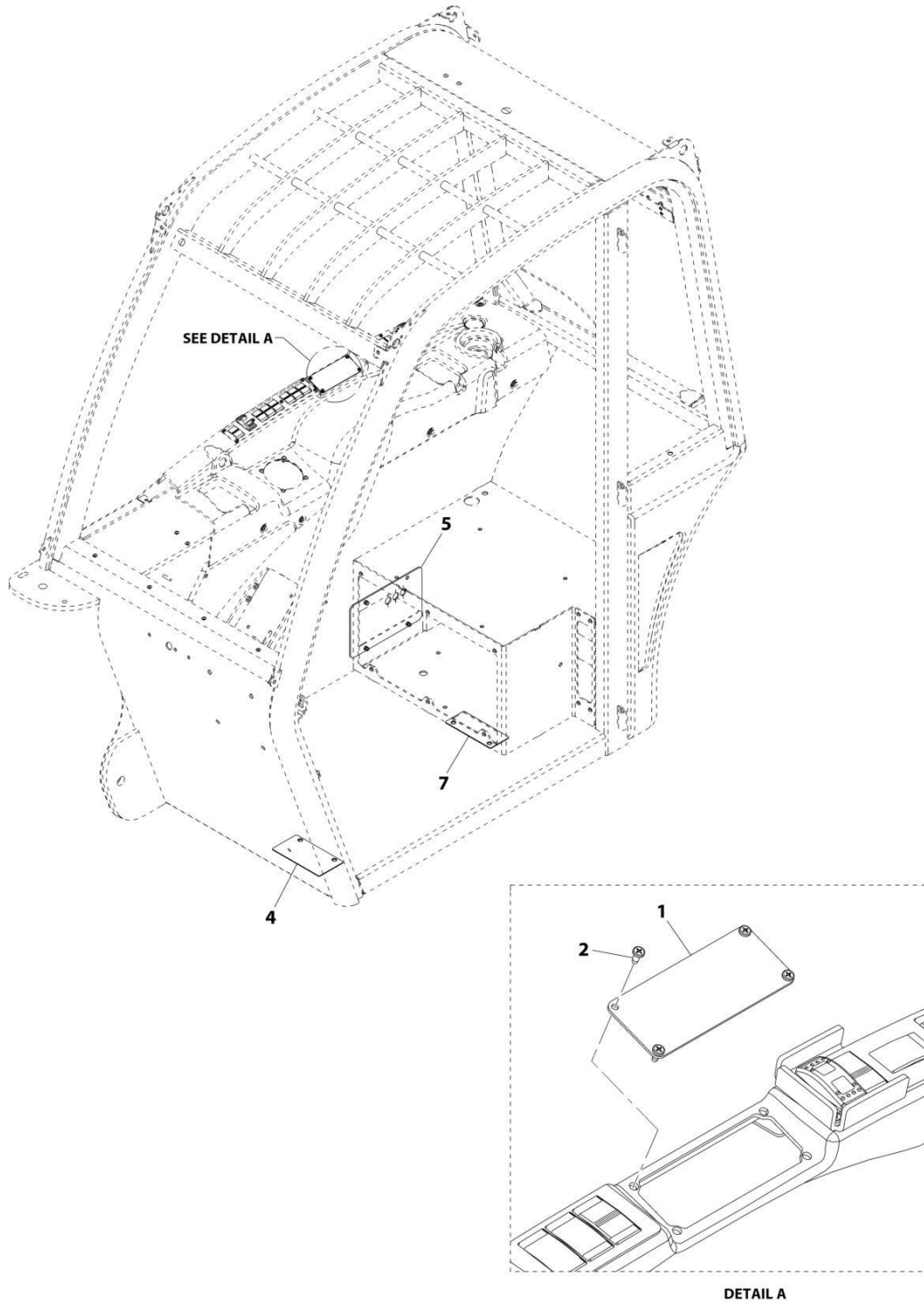
ART_91565064-A

FIGURE 6-30. SEAT BELT INSTALLATION, LSI (3 INCH)

ITEM	PART NUMBER	QTY	DESCRIPTION	REV
	91565064	Ref	Seat Belt Installation, LSI (3 Inch)	A
1	91563164	1	Seat Belt	
101	70023139	1	Kit, 3 Inch Seat Belt (includes female and retractor ends)	

SECTION 6 - CAB

FIGURE 6-31. CONTROL COVER INSTALLATION



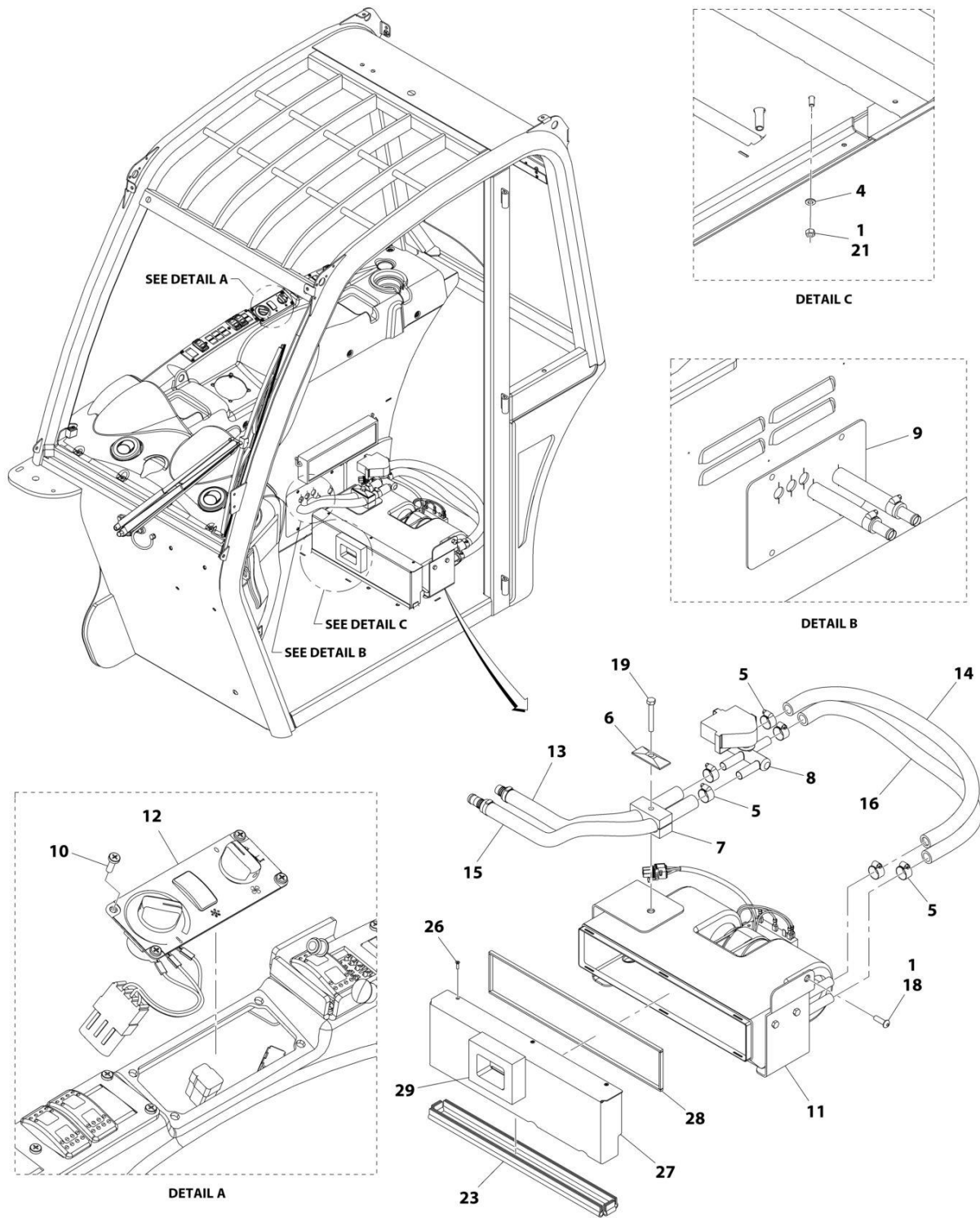
ART_1001080876-H

FIGURE 6-31. CONTROL COVER INSTALLATION

ITEM	PART NUMBER	QTY	DESCRIPTION	REV
	1001080876	Ref	Control Cover Installation	H
1	1001080852	1	Heater Control Cover	
2	1001137454	4	Pan HD Screw	
4	1001080974	1	Ductwork Panel	
5	1001080975	1	Parking Brake Release Valve Only Panel	
7	1001081023	1	Ductwork Panel	

SECTION 6 - CAB

FIGURE 6-32. HEATER INSTALLATION (CAB PARTS)



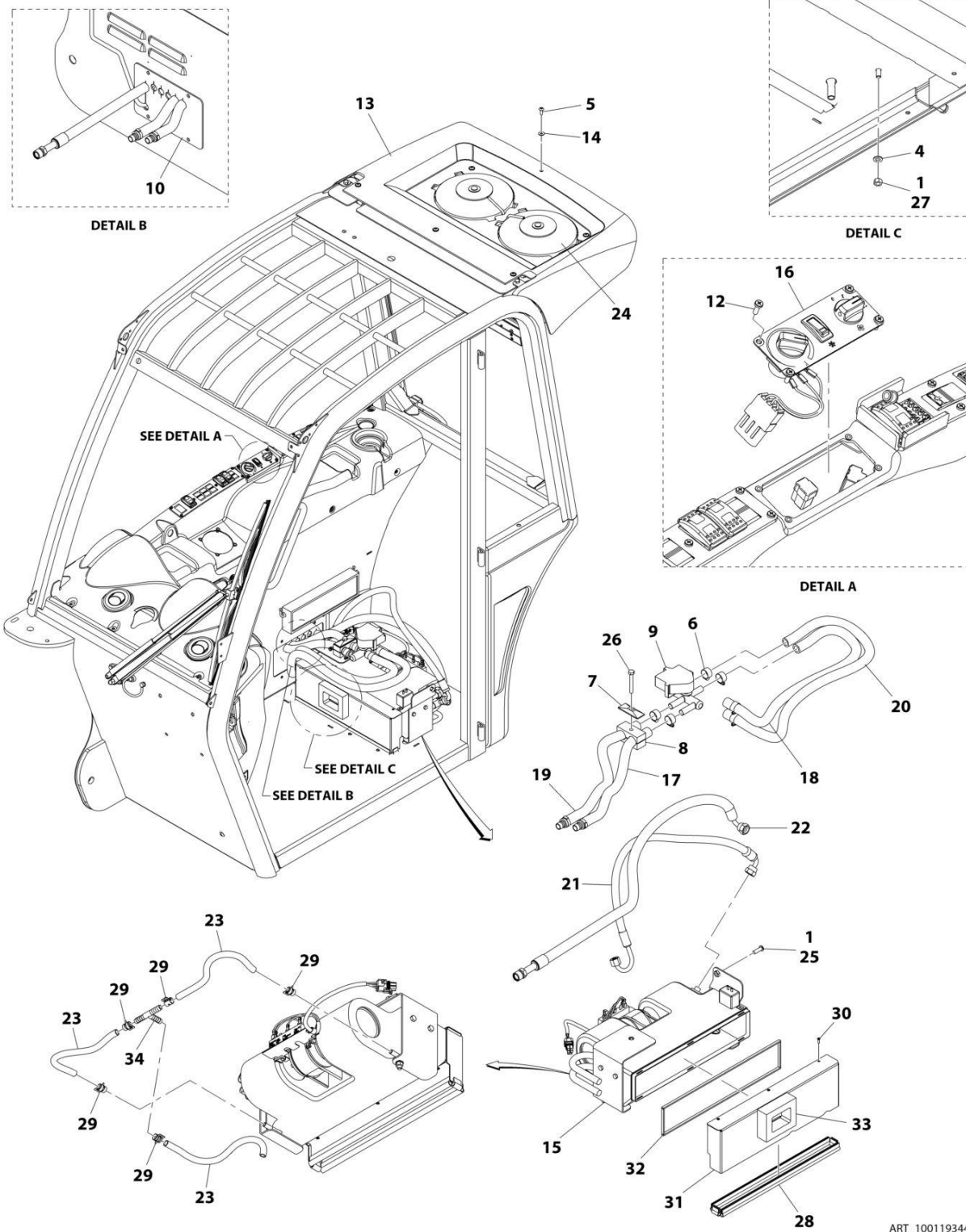
ART_1001193943-E

FIGURE 6-32. HEATER INSTALLATION (CAB PARTS)

ITEM	PART NUMBER	QTY	DESCRIPTION	REV
	1001193943	Ref	Heater Installation (cab parts)	E
1	0100011	AR	Loctite 242	
4	4811900	1	Washer, M8	
5	8410009	6	Gear Clamp	
6	77133137	1	Cover Plate	
7	77133279	1	Clamp	
8	80383231	1	Water Heater Valve	
9	1001080976	1	Parking Brake Release Valve And Heater Panel	
10	1001137454	4	Pan HD Screw	
11	1001193805	1	Assembly, Heater 3 Speed (See Separate Breakdown in this Section)	
12	1001193945	1	Heater Control Switch (See Separate Breakdown in Control Section)	
13	1001193973	1	Hose	
14	1001193974	1	Hose	
15	1001193975	1	Hose	
16	1001193976	1	Hose	
18	0630468	1	Hex HD Capscrew, 5/16-18X2, GR5	
19	0641518	1	Hex HD Capscrew, 5/16-18X2-1/4, GR5	
21	3311501	1	Hex Nut, 5/16-18, GR2	
23	1001110433	856 mm	Seal	
26	91413036	1	Screw, M6X12	
27	1001202939	1	Duct	
28	1001113047	970 mm	Adhesive Seal	
29	1001209966	1	Seal, Duct	

SECTION 6 - CAB

FIGURE 6-33. HEATER AND A/C INSTALLATION (CAB PARTS)



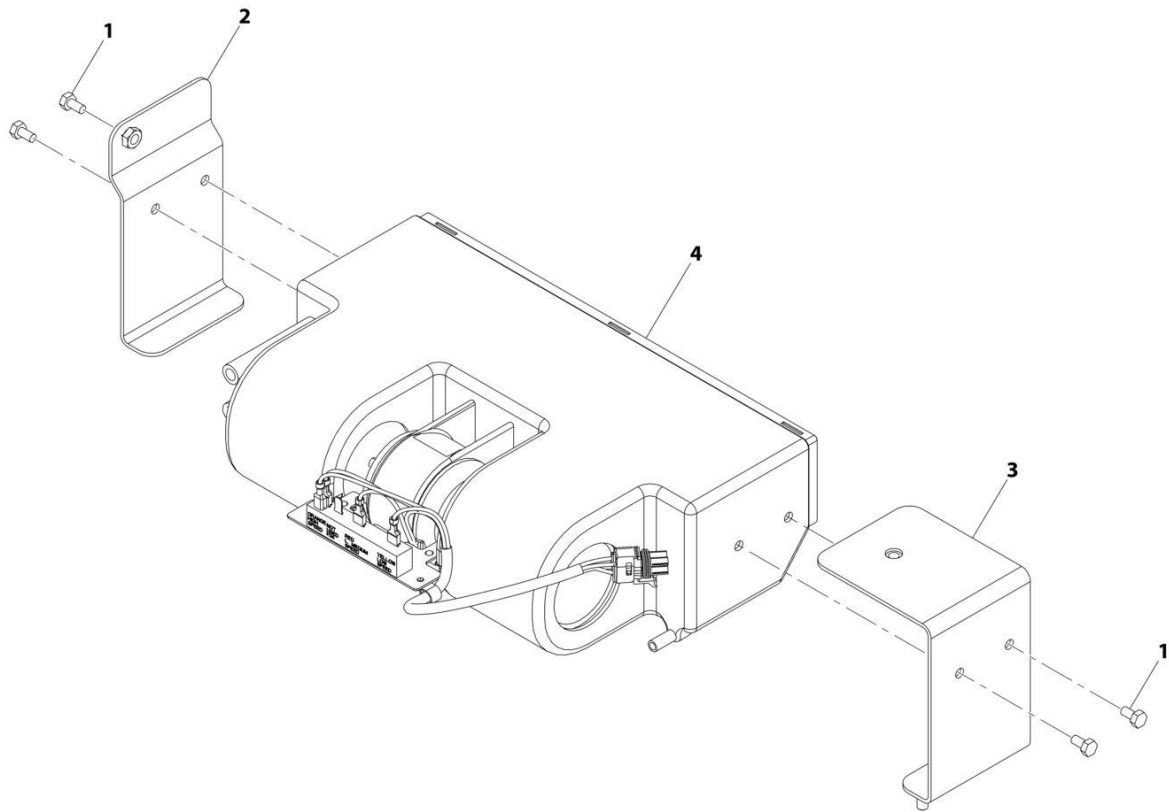
ART_1001193443-E

FIGURE 6-33. HEATER AND A/C INSTALLATION (CAB PARTS)

ITEM	PART NUMBER	QTY	DESCRIPTION	REV
	1001193443	Ref	Heater and A/C Installation (cab parts)	E
1	0100011	AR	Loctite 242	
4	4811900	1	Washer, M8	
5	8303034	6	Truss HD Screw, 1/4-20X0.75	
6	8410009	6	Gear Clamp	
7	77133137	1	Cover Plate	
8	77133279	1	Clamp	
9	80383231	1	Water Heater Valve	
10	1001220705	1	Parking Brake Release Valve, Heater and AC Panel	
12	1001139011	4	Pan HD Screw	
13	1001139801	1	Cover	
14	1001150509	6	Washer	
15	1001193432	1	Assembly, Heater and A/C, 3 Speed (See Separate Breakdown in This Section)	
16	1001193501	1	HVAC Control Switch (See Separate Breakdown in Control Section)	
17	1001193720	1	Hose	
18	1001193721	1	Hose	
19	1001193723	1	Hose	
20	1001193725	1	Hose	
21	1001193761	1	Hose	
22	1001193762	1	Hose	
23	1001195447	809 mm	Hose	
24	1001202352	1	AC Condenser Installation (See Separate Breakdown in this Section)	
25	0630468	1	Button HD Capscrew, 5/16-18X1	
26	0641518	1	Hex HD Capscrew, 5/16-18X2-1/4, GR5	
27	3311501	1	Hex Nut, 5/16-18, GR2	
28	1001110433	856 mm	Seal	
29	1001156087	5	Gear Clamp	
30	91413036	6	Screw, M6X12	
31	1001202939	1	Duct	
32	1001113047	970 mm	Adhesive Seal	
33	1001209966	1	Seal, Duct	
34	1001172953	1	Union Tee	

SECTION 6 - CAB

FIGURE 6-34. HEATER ASSEMBLY, 3 SPEED



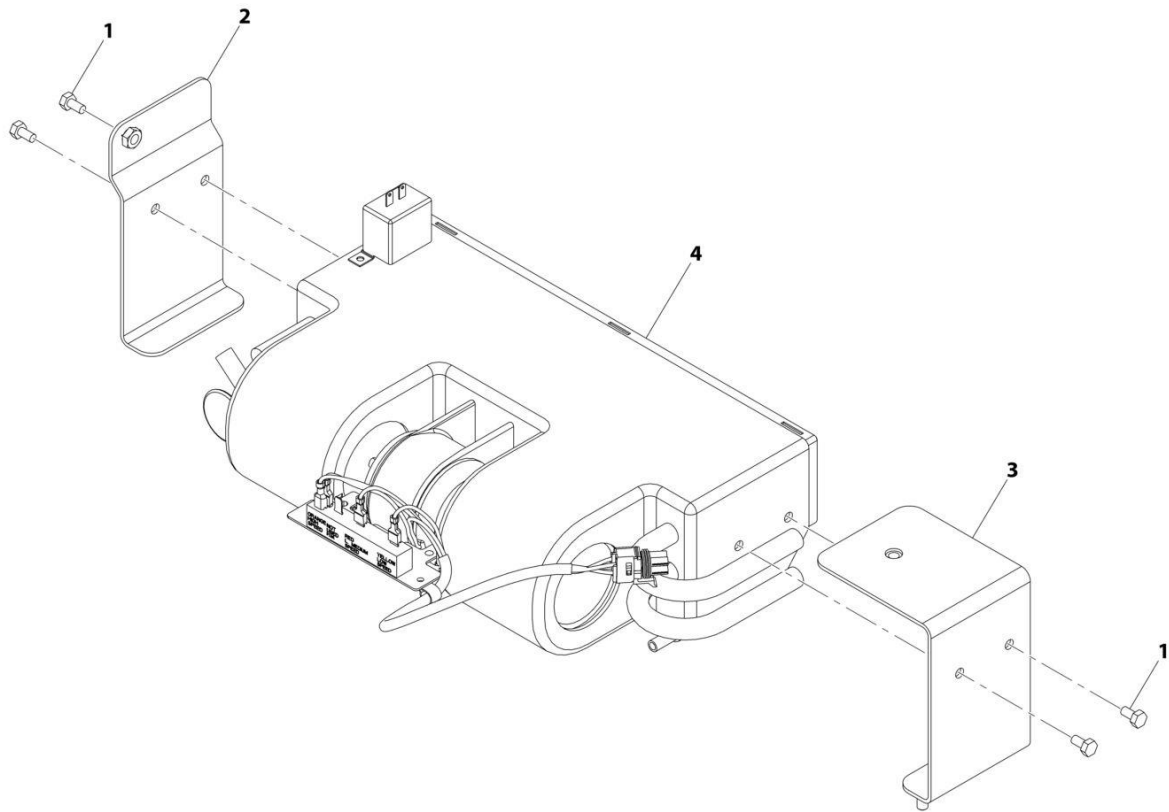
ART_1001193805-C

FIGURE 6-34. HEATER ASSEMBLY, 3 SPEED

ITEM	PART NUMBER	QTY	DESCRIPTION	REV
	1001193805	Ref	Heater Assembly, 3 Speed	C
1	0641404	4	Hex HD Capscrew, 1/4-20X1/2, GR5	
2	1001193528	1	Bracket	
3	1001193529	1	Bracket	
4	1001195348	1	Heater Assembly (See Separate breakdown in this Section)	

SECTION 6 - CAB

FIGURE 6-35. HEATER AND A/C ASSEMBLY, 3 SPEED



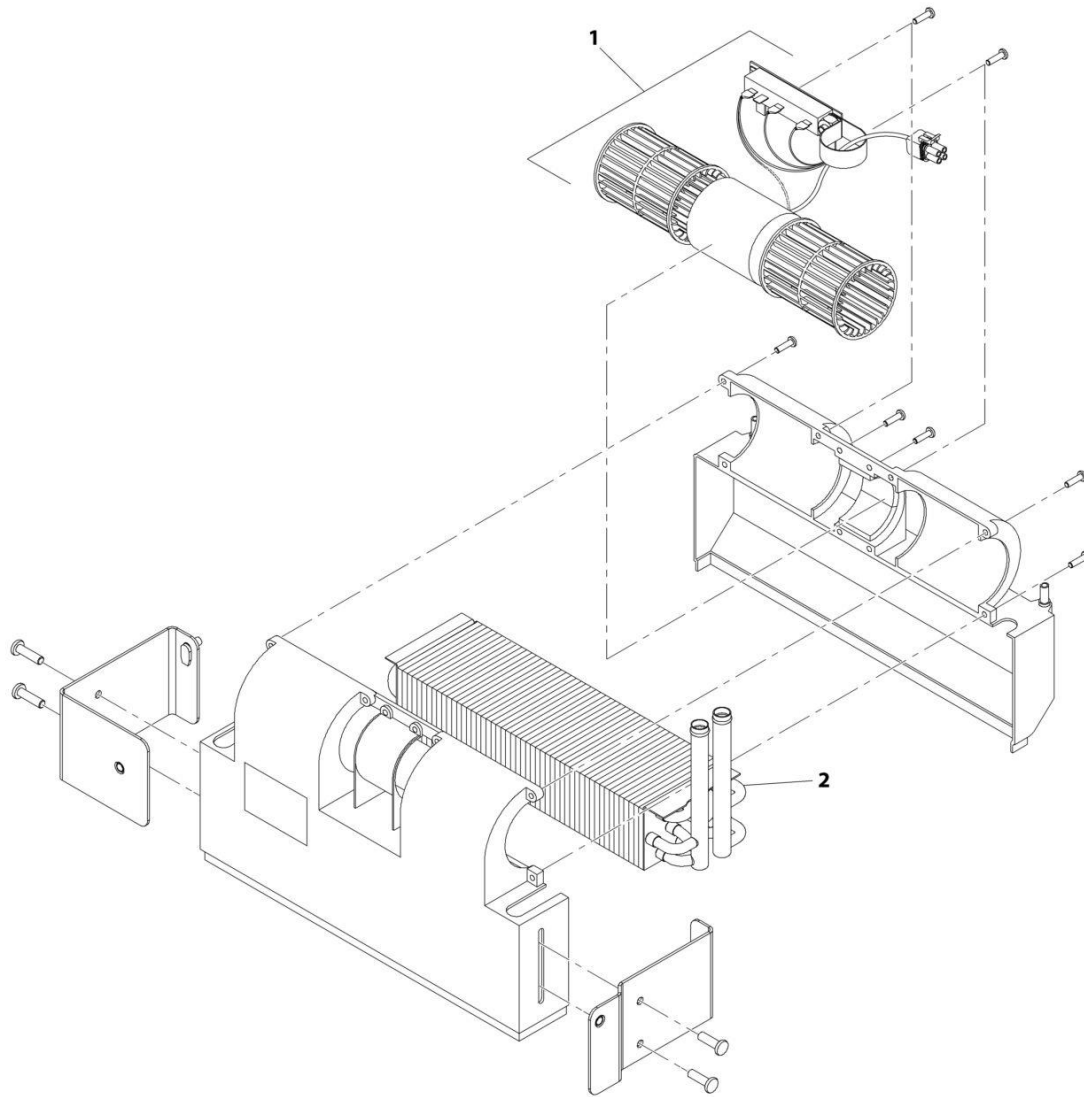
ART_1001193432-C

FIGURE 6-35. HEATER AND A/C ASSEMBLY, 3 SPEED

ITEM	PART NUMBER	QTY	DESCRIPTION	REV
	1001193432	Ref	Heater and A/C Assembly, 3 Speed	C
1	0641404	4	Hex HD Capscrew, 1/4-20X1/2, GR5	
2	1001193528	1	Bracket	
3	1001193529	1	Bracket	
4	1001195347	1	Assembly, Heater and A/C (See Separate breakdown in this Section)	

SECTION 6 - CAB

FIGURE 6-36. HEATER



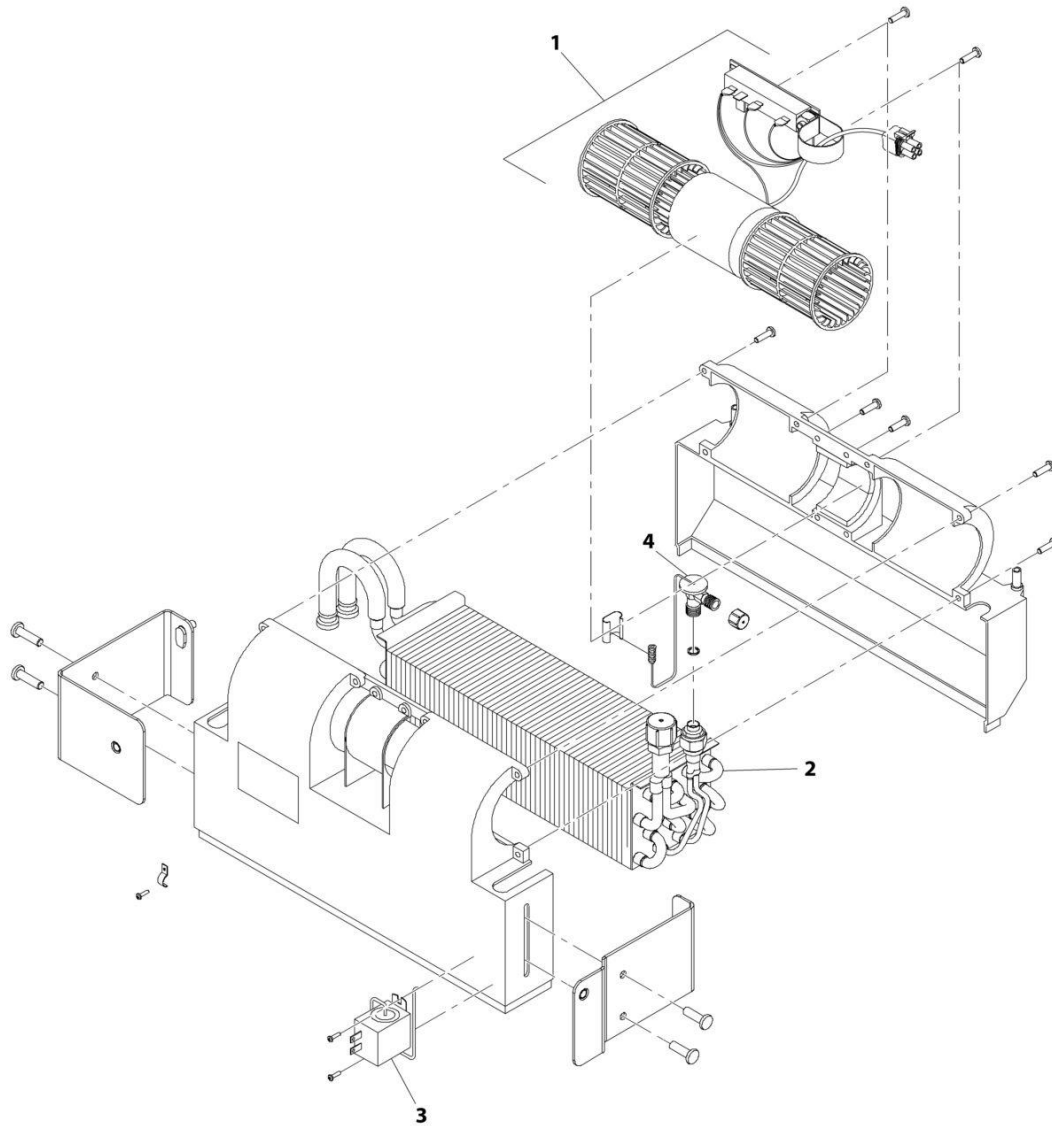
ART_1001195348-C

FIGURE 6-36. HEATER

ITEM	PART NUMBER	QTY	DESCRIPTION	REV
	1001195348	Ref	Heater	C
1	70022805	1	Blower Motor	
2	70025925	1	Heater Coil	

SECTION 6 - CAB

FIGURE 6-37. HEATER AND A/C



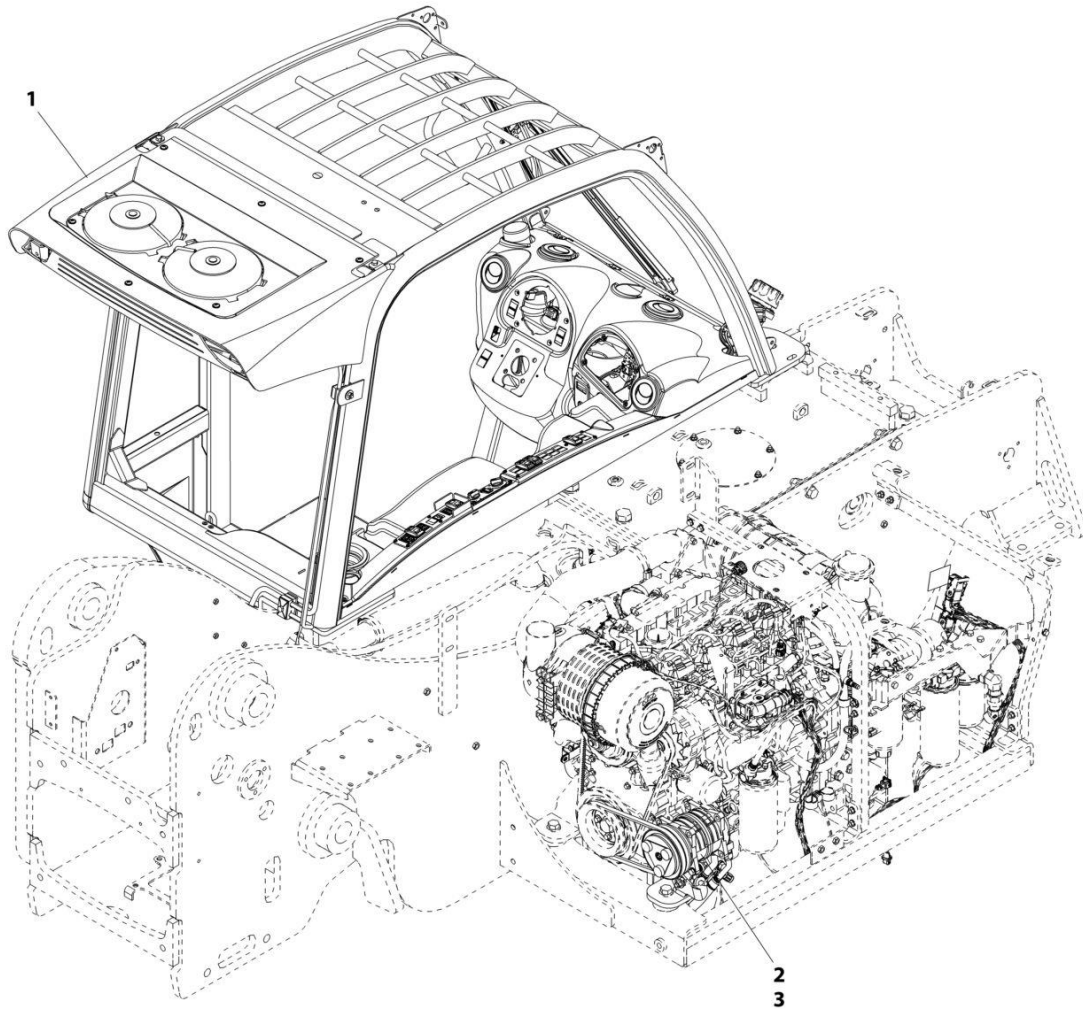
ART_1001195347-C

FIGURE 6-37. HEATER AND A/C

ITEM	PART NUMBER	QTY	DESCRIPTION	REV
	1001195347	Ref	Heater and A/C	C
1	70022805	1	Blower Motor	
2	70027632	1	Coil	
3	70024386	1	Thermostat	
4	91514272	1	Expansion Valve	

SECTION 6 - CAB

FIGURE 6-38. A/C KIT



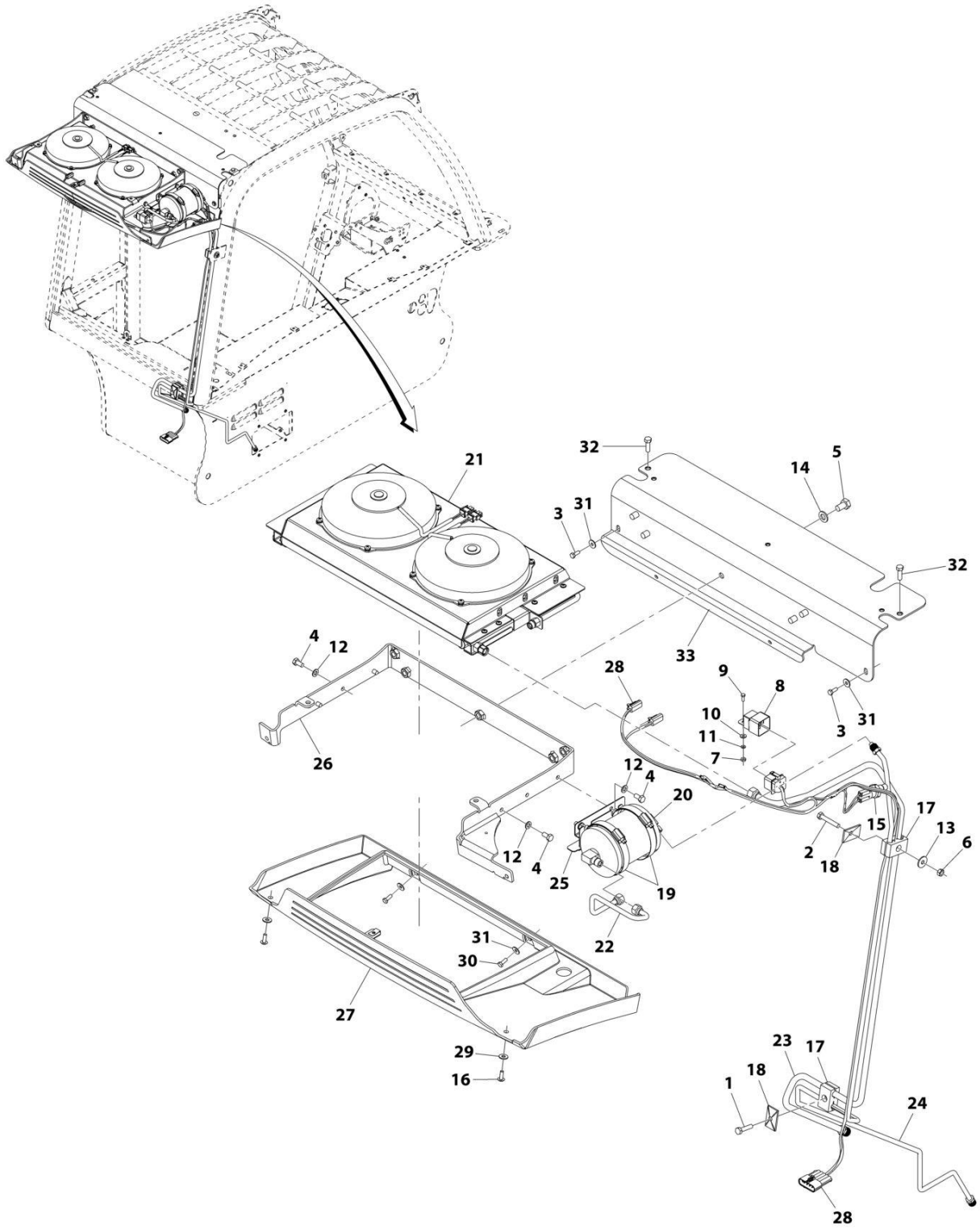
ART_1001202502-B

FIGURE 6-38. A/C KIT

ITEM	PART NUMBER	QTY	DESCRIPTION	REV
	1001202502	Ref	A/C Kit	B
1	1001193443	1	Installation, Heater and A/C (cab parts) (See Separate Breakdown in this Section)	
2	1001139688	1	Installation, A/C System (See Separate Breakdown in Frame and Attaching Parts Section)	
3	2300037	AR	Fluid, Refrigerant R-134a	

SECTION 6 - CAB

FIGURE 6-39. A/C CONDENSER INSTALLATION



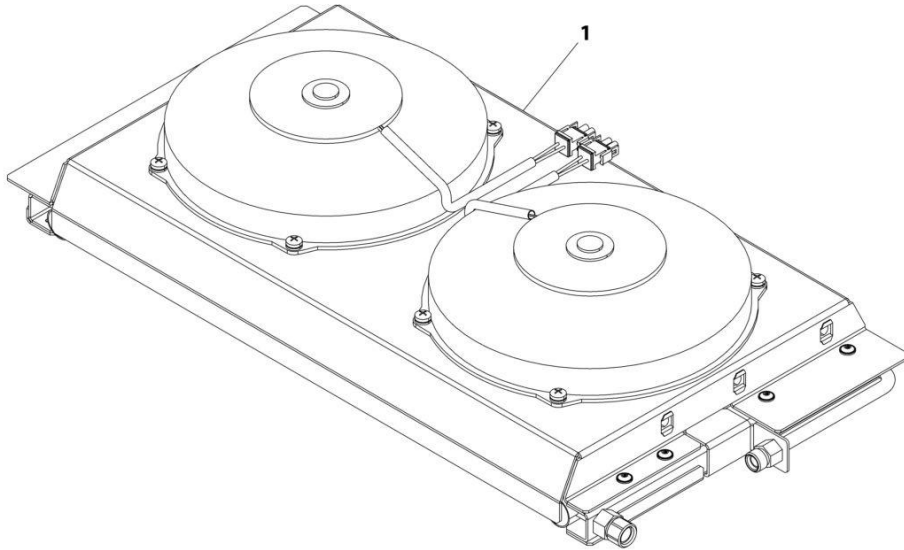
ART_1001202352-A

FIGURE 6-39. A/C CONDENSER INSTALLATION

ITEM	PART NUMBER	QTY	DESCRIPTION	REV
	1001202352	Ref	A/C Condenser Installation	A
1	0700815	1	Hex HD Capscrew, M8X35, GR8.8	
2	0700818	1	Hex HD Capscrew, M8X50, GR8.8	
3	0760608	2	Hex HD Capscrew, M6X16, GR8.8	
4	0760808	6	Hex HD Capscrew, M8X16, GR8.8	
5	0761210	5	Hex HD Capscrew, M12x20, GR8.8	
6	3290801	1	Hex Nut, M8X1.25	
7	3311001	1	Hex Nut	
8	3740080	1	Weather Proof Relay	
9	3900306	1	Hex HD Screw	
10	4711000	1	Washer	
11	4771000	1	Star Washer	
12	4811900	6	Washer, M8	
13	4811902	1	Washer, M8	
14	4812100	5	Washer, M12	
15	8223531	1	A/C Pressure Switch	
16	8303034	2	Truss HD Screw, 1/4-20X0.75	
17	8750042	2	Clamp Set	
18	8769123	2	Cover Plate	
19	10719267	2	Clamp	
20	1001126841	1	A/C Receiver Drier	
21	1001138262	1	A/C Condenser (See Separate Breakdown in this Section)	
22	1001138264	1	Condenser Outlet Tube	
23	1001138265	1	Condenser Supply Tube	
24	1001138266	1	Drier Outlet Tube	
25	1001138269	1	Drier Mount Bracket	
26	1001138345	1	Condenser Mount Bracket	
27	1001139803	1	Condenser Bottom Cover	
28	1001142236	1	Harness, Condenser Fan (See Separate Breakdown in Electrical Section)	
29	1001150479	2	Washer	
30	1001150508	2	Bolt, M6x18, GR8.8	
31	1001150509	4	Washer	
32	1001151088	2	Bolt, 5/16-18X1, GR5	
33	1001138263K	1	A/C Mount Bracket	

SECTION 6 - CAB

FIGURE 6-40. CONDENSER



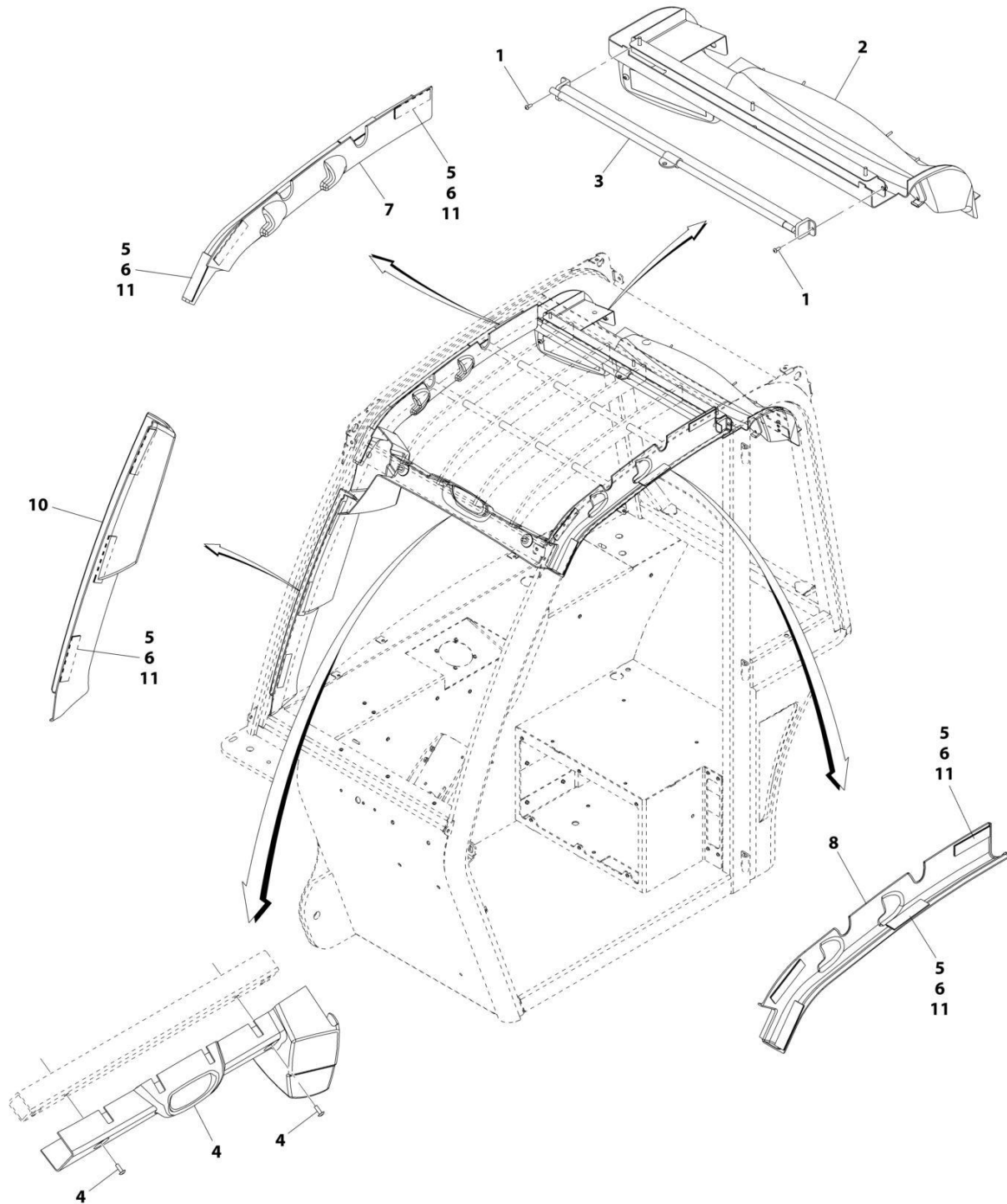
ART_1001138262-B

FIGURE 6-40. CONDENSER

ITEM	PART NUMBER	QTY	DESCRIPTION	REV
	1001138262	Ref	Condenser	B

SECTION 6 - CAB

FIGURE 6-41. OVERHEAD CONSOLE INSTALLATION



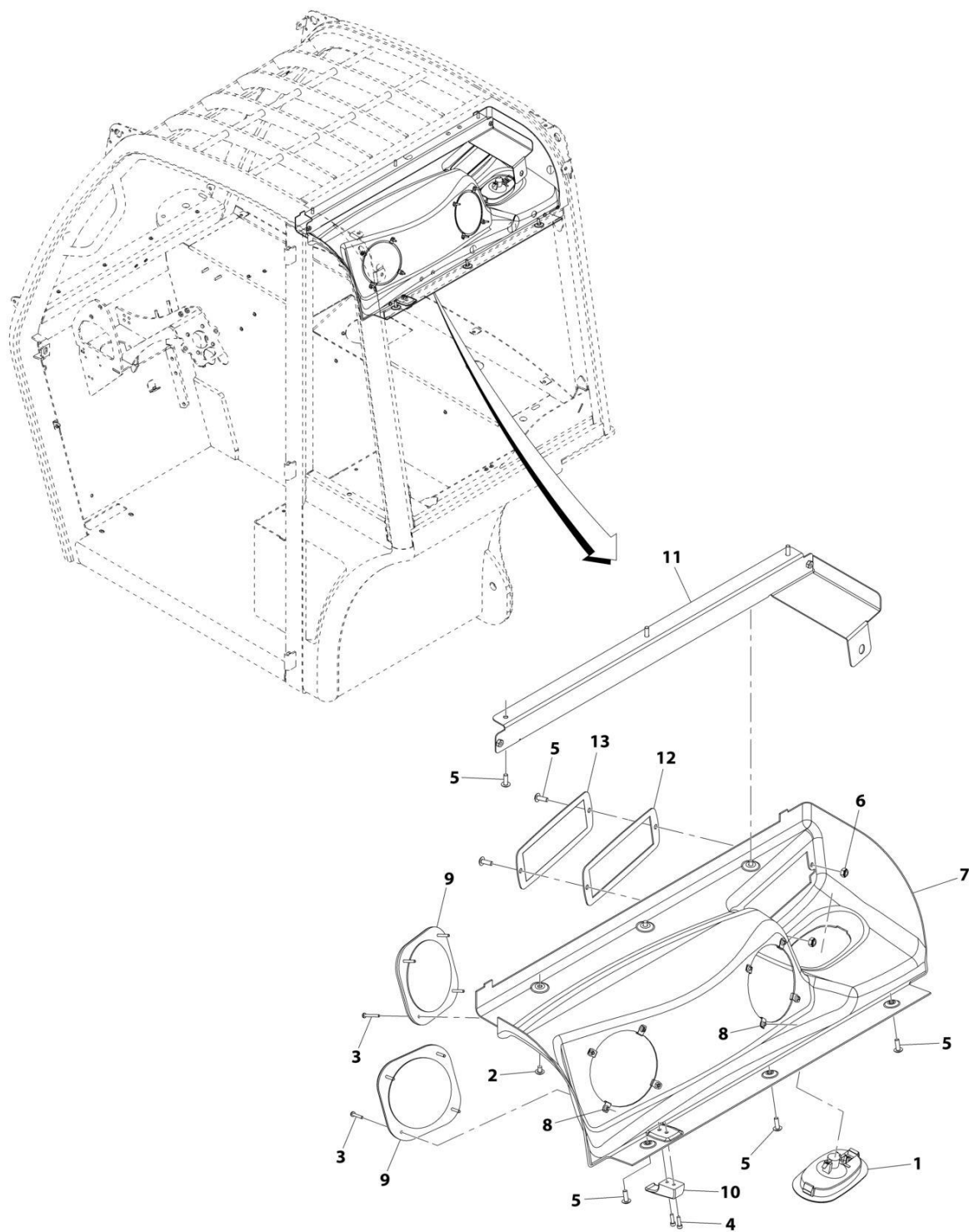
ART_1001081187-G

FIGURE 6-41. OVERHEAD CONSOLE INSTALLATION

ITEM	PART NUMBER	QTY	DESCRIPTION	REV
	1001081187	Ref	Overhead Console Installation	G
1	0630464	2	Button HD Screw, #10-24X1/2	
2	1001080945	1	Installation, Overhead Console (Open) (See Separate Breakdown in this Section)	
3	1001080952	1	Visor	
4	1001080957	1	Installation, Front FOPS (See Separate Breakdown in this Section)	
5	1001081161	11	Hook 1in Wide Tape	
6	1001081163	11	Loop 1in Wide Tape	
7	1001153634	1	In-Board ROPS Bar Cover	
8	1001153635	1	Out-Board ROPS Bar Cover	
10	1001153631	1	A-Pillar Cover	
11	1001112058	AR	Adhesive Strip	

SECTION 6 - CAB

FIGURE 6-42. OVERHEAD CONSOLE INSTALLATION (OPEN)



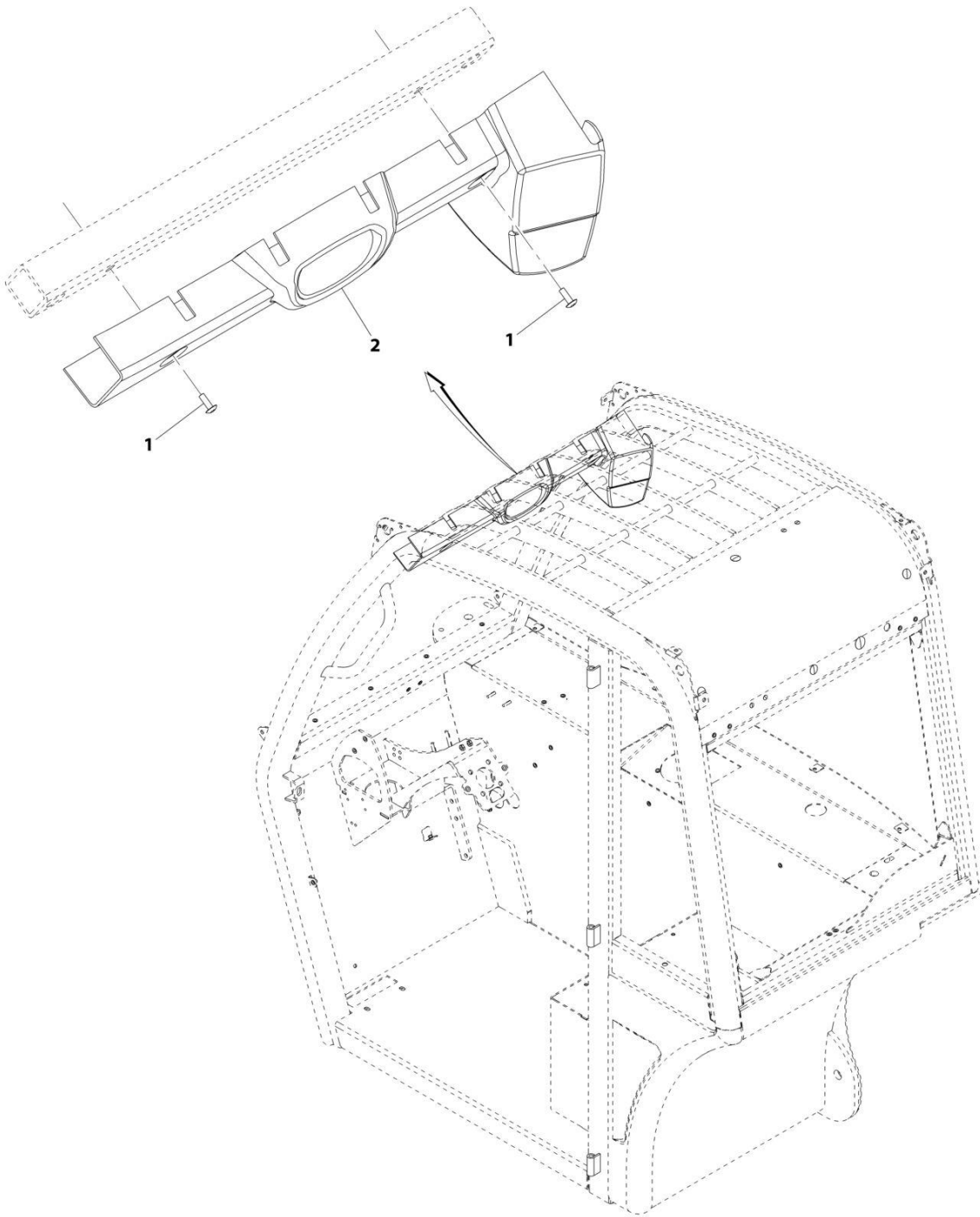
ART_1001080945-H

FIGURE 6-42. OVERHEAD CONSOLE INSTALLATION (OPEN)

ITEM	PART NUMBER	QTY	DESCRIPTION	REV
	1001080945	Ref	Overhead Console Installation (Open)	H
1	2920209	1	Dome Light Lamp	
1	70020795	1	Light Bulb	
2	1001108078	3	Truss HD Screw, 1/4-20X3/8	
3	1001108152	8	Screw, M4X30	
4	1001108155	2	Socket HD Capscrew, 10-24X5/8	
5	8303034	8	Truss HD Screw, 1/4-20X3/4	
6	88521304	2	Hex Locknut, 1/4-20	
7	1001080866	1	Overhead Console Cover	
8	1001080947	8	Nut, M4	
9	1001080951	2	Speaker Cover	
10	1001080953	1	Hook	
11	1001080954	1	Visor Mount Bracket	
12	1001080955	1	Radio Mount Plate	
13	1001080960	1	Radio Mount Outer Plate	

SECTION 6 - CAB

FIGURE 6-43. FRONT FOPS INSTALLATION



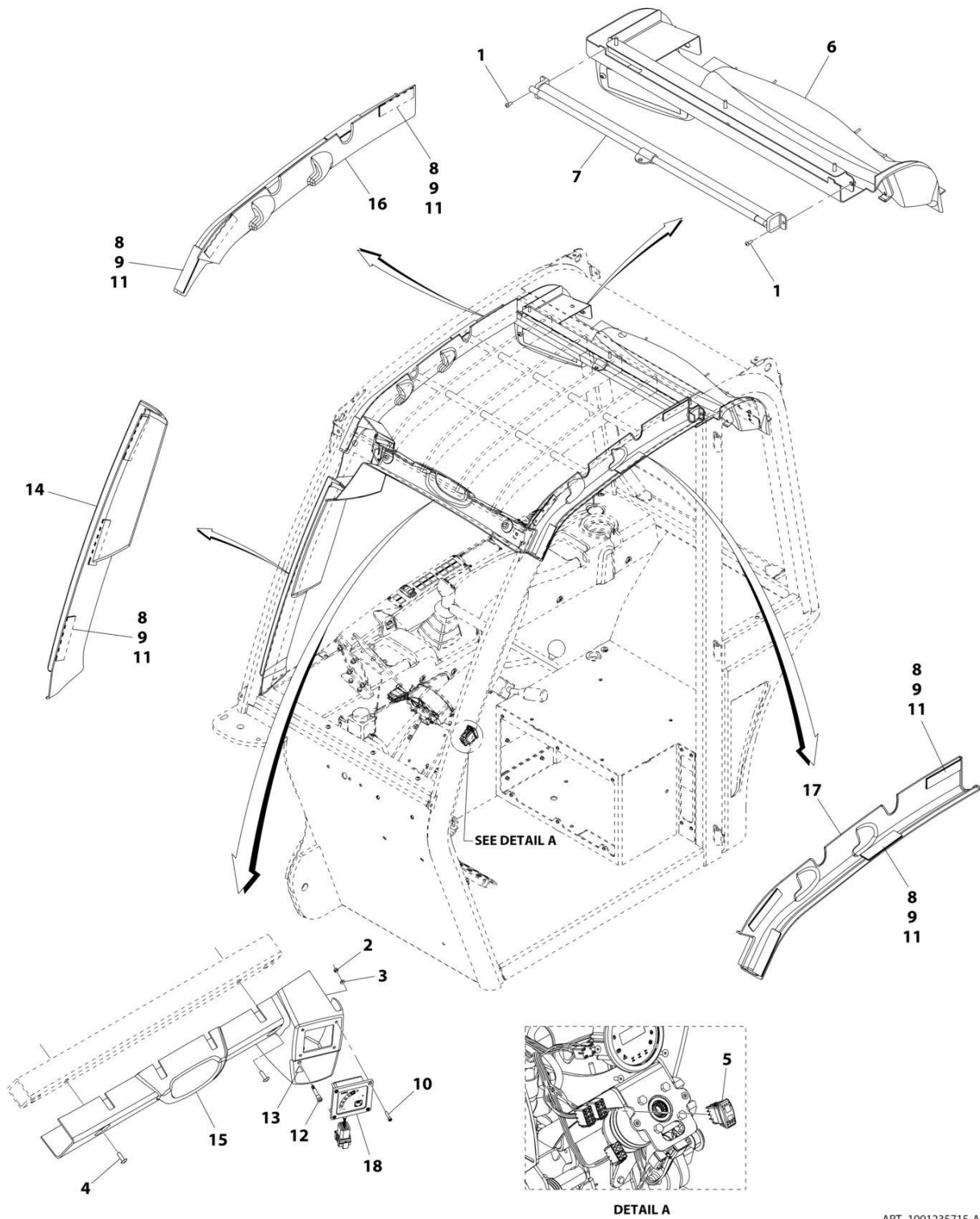
ART_1001080957-F

FIGURE 6-43. FRONT FOPS INSTALLATION

ITEM	PART NUMBER	QTY	DESCRIPTION	REV
	1001080957	Ref	Front FOPS Installation	F
1	8303034	2	Truss HD Screw, 1/4-20X3/4	
2	1001153630	1	Front FOPS Bar Cover	

SECTION 6 - CAB

FIGURE 6-44. OVERHEAD CONSOLE INSTALLATION (LSI)



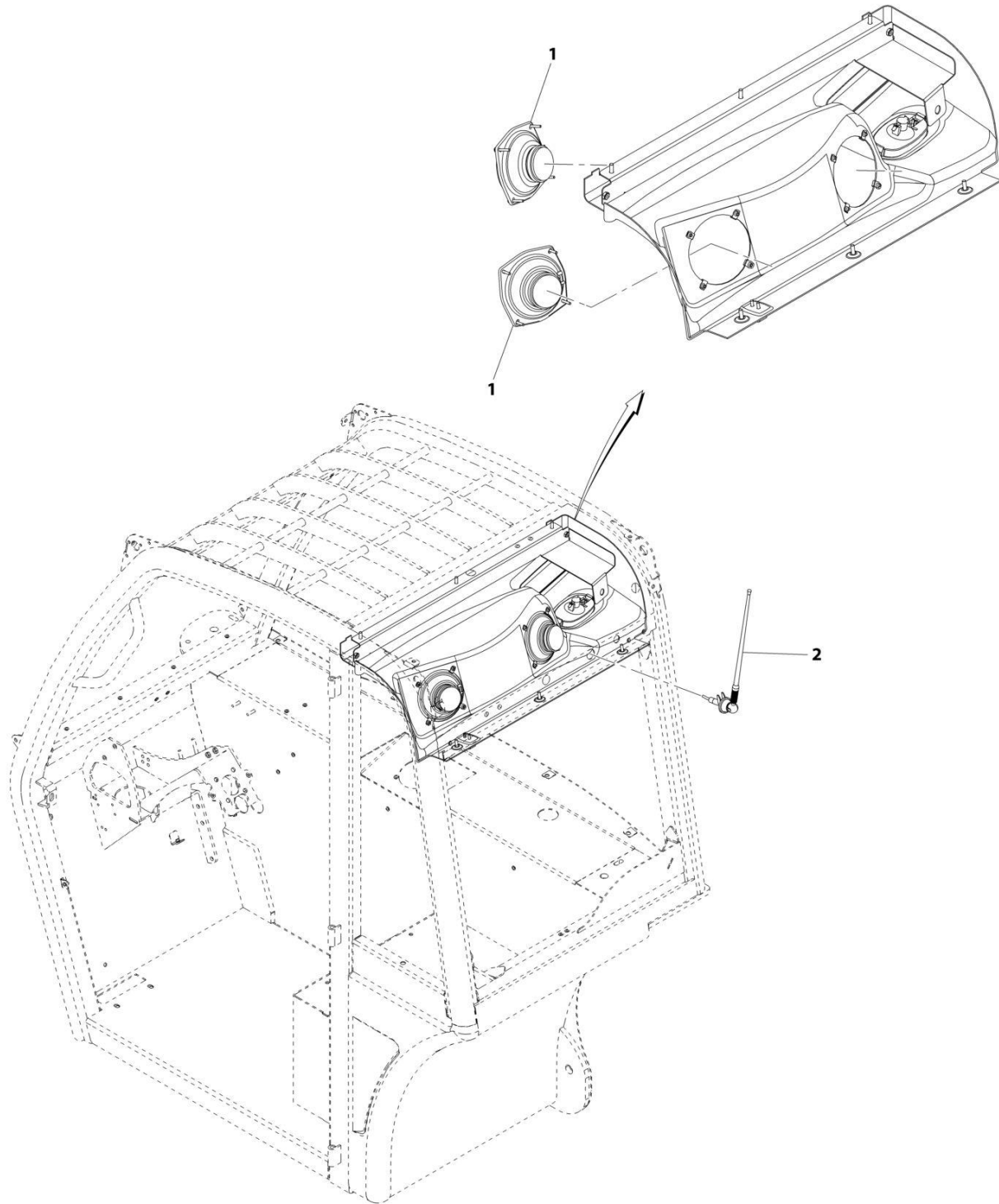
ART_1001235715-A

FIGURE 6-44. OVERHEAD CONSOLE INSTALLATION (LSI)

ITEM	PART NUMBER	QTY	DESCRIPTION	REV
	1001235715	Ref	Overhead Console Installation (LSI)	A
1	0630464	2	Button HD Screw, 10-24X1/2	
2	3290405	4	Hex Locknut, M4X0.7	
3	4811400	4	Washer, M4	
4	8303034	2	Screw, 1/4-20X0.75	
5	1001080373	1	LMI Override Switch	
6	1001080945	1	Installation, Overhead Console (See Separate Breakdown in this Section)	
7	1001080952	1	Visor	
8	1001081161	11	Hook 1in Wide Tape	
9	1001081163	11	Loop 1in Wide Tape	
10	1001110269	4	Screw, M4X20	
11	1001112058	AR	Adhesive Strip	
12	1001127397	1	LSI Light	
13	1001127546	1	LSI Decal	
14	1001153631	1	A-Pillar Cover	
15	1001153633	1	Front ROPS Bar Cover	
16	1001153634	1	In-Board ROPS Bar Cover	
17	1001153635	1	Out-Board ROPS Bar Cover	
18	1001192979	1	LSI Display	

SECTION 6 - CAB

FIGURE 6-45. RADIO READY PACKAGE INSTALLATION



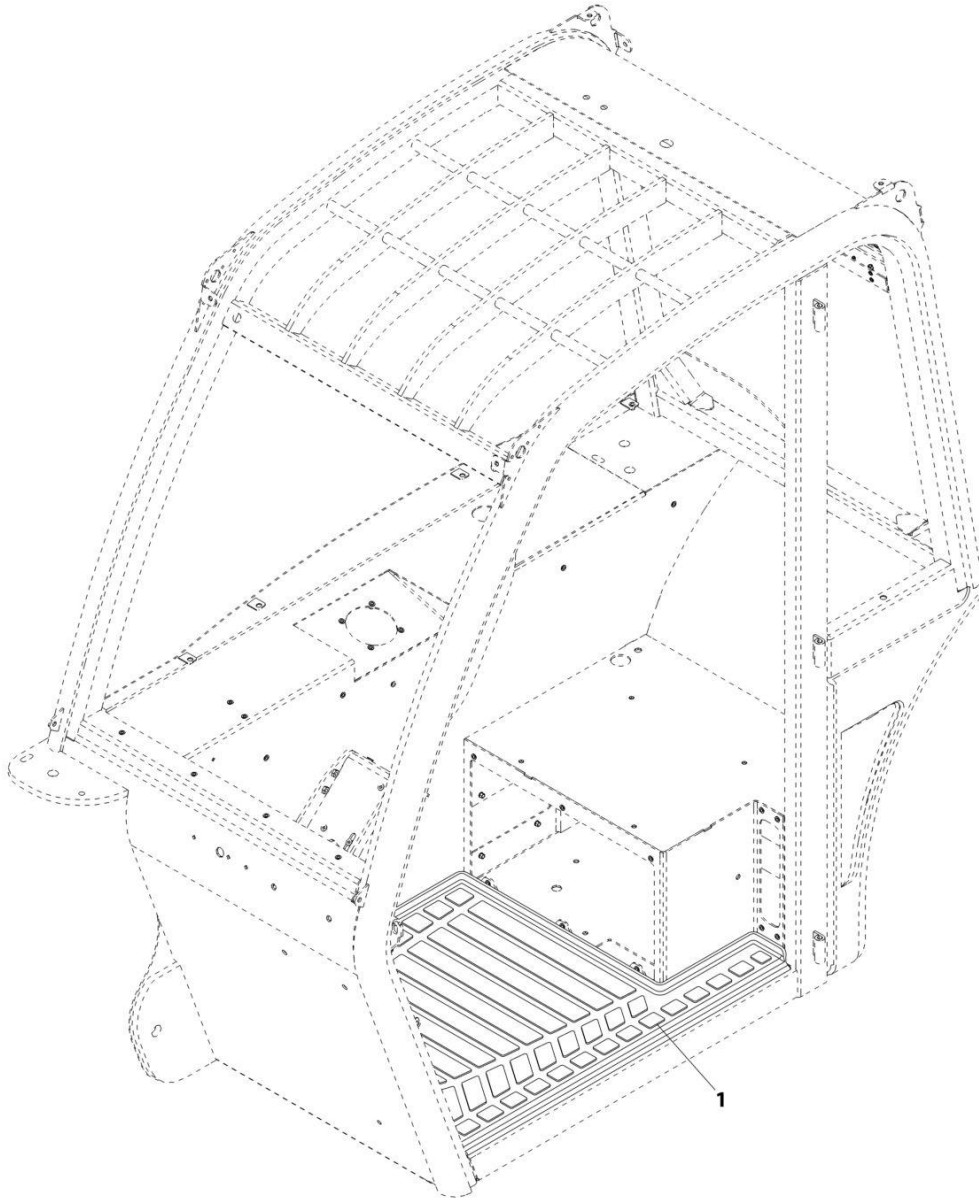
ART_1001080844-B

FIGURE 6-45. RADIO READY PACKAGE INSTALLATION

ITEM	PART NUMBER	QTY	DESCRIPTION	REV
	1001080844	Ref	Radio Ready Package Installation	B
1	1001080956	2	Speaker	
2	1001080959	1	Antenna	

SECTION 6 - CAB

FIGURE 6-46. FLOOR MAT INSTALLATION



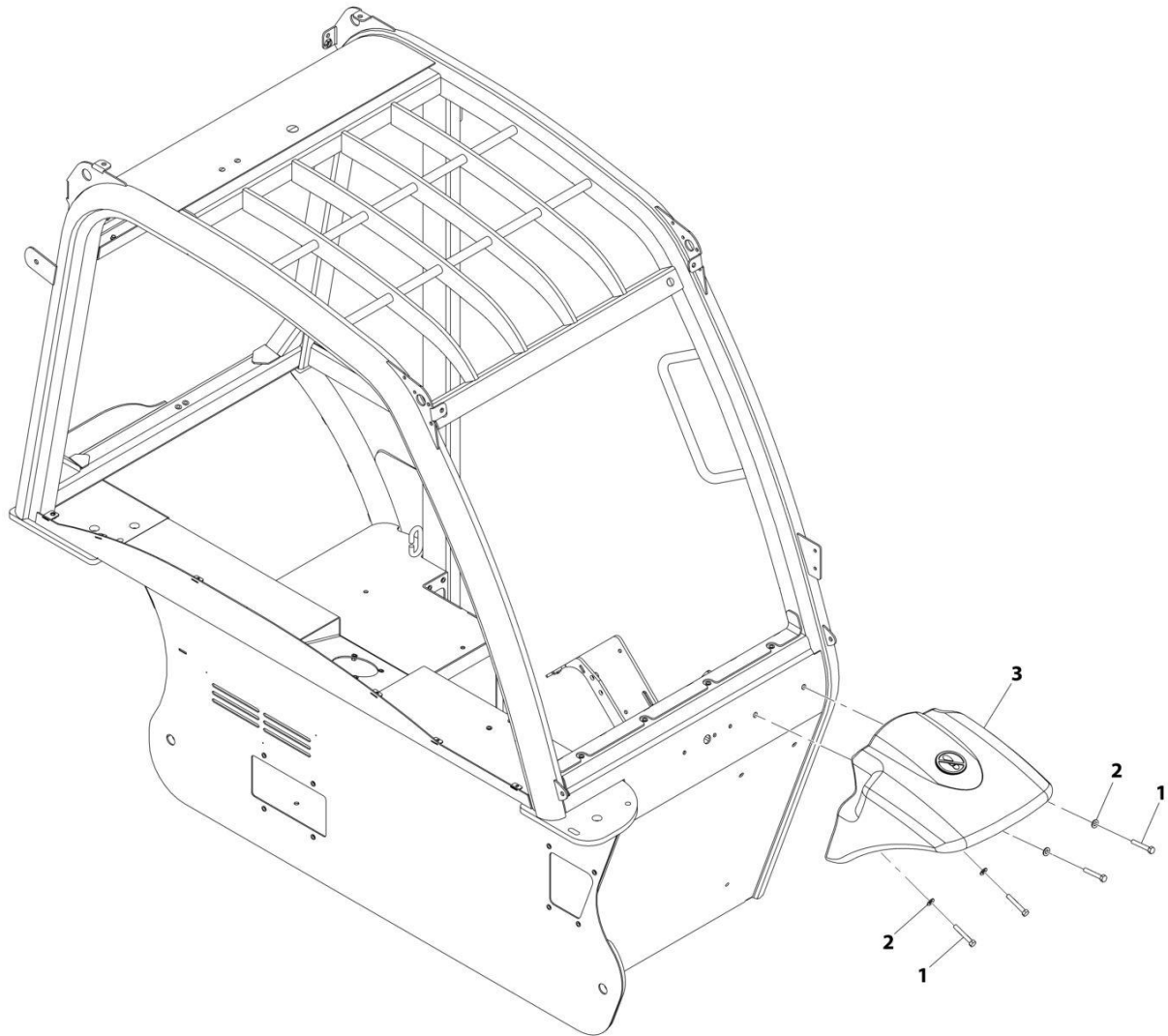
ART_1001080893-B

FIGURE 6-46. FLOOR MAT INSTALLATION

ITEM	PART NUMBER	QTY	DESCRIPTION	REV
1	1001080893	Ref	Floor Mat Installation	B
	1001080822	1	Floor, Cover	

SECTION 6 - CAB

FIGURE 6-47. CAB FENDER INSTALLATION



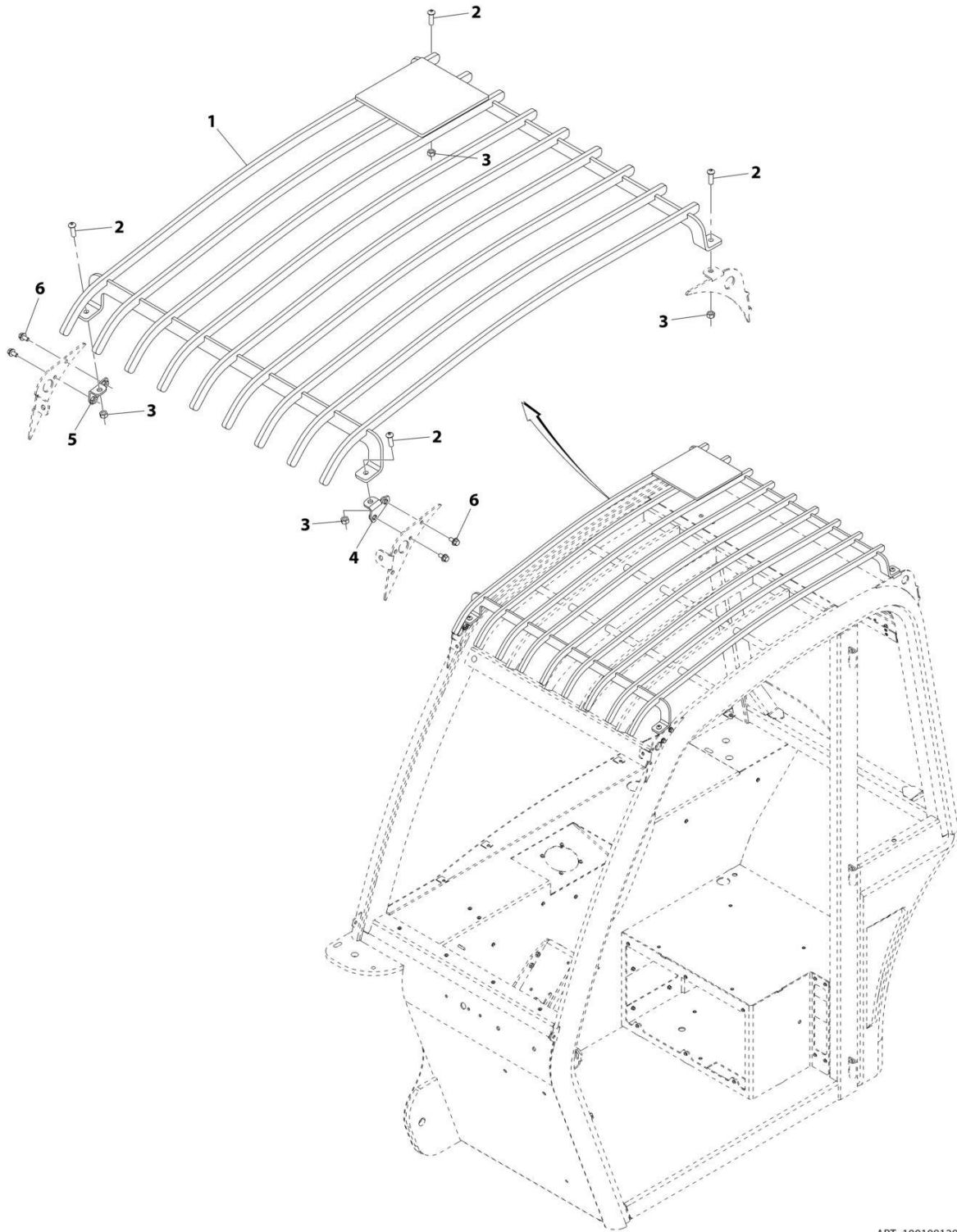
ART_1001097640-C

FIGURE 6-47. CAB FENDER INSTALLATION

ITEM	PART NUMBER	QTY	DESCRIPTION	REV
	1001097640	Ref	Cab Fender Installation	C
1	0641516	4	Hex HD Capscrew, 5/16-18X2	
2	4711500	4	Washer, 5/16	
3	1001080891	1	Front Fender	

SECTION 6 - CAB

FIGURE 6-48. CAB GUARD INSTALLATION (TOP)



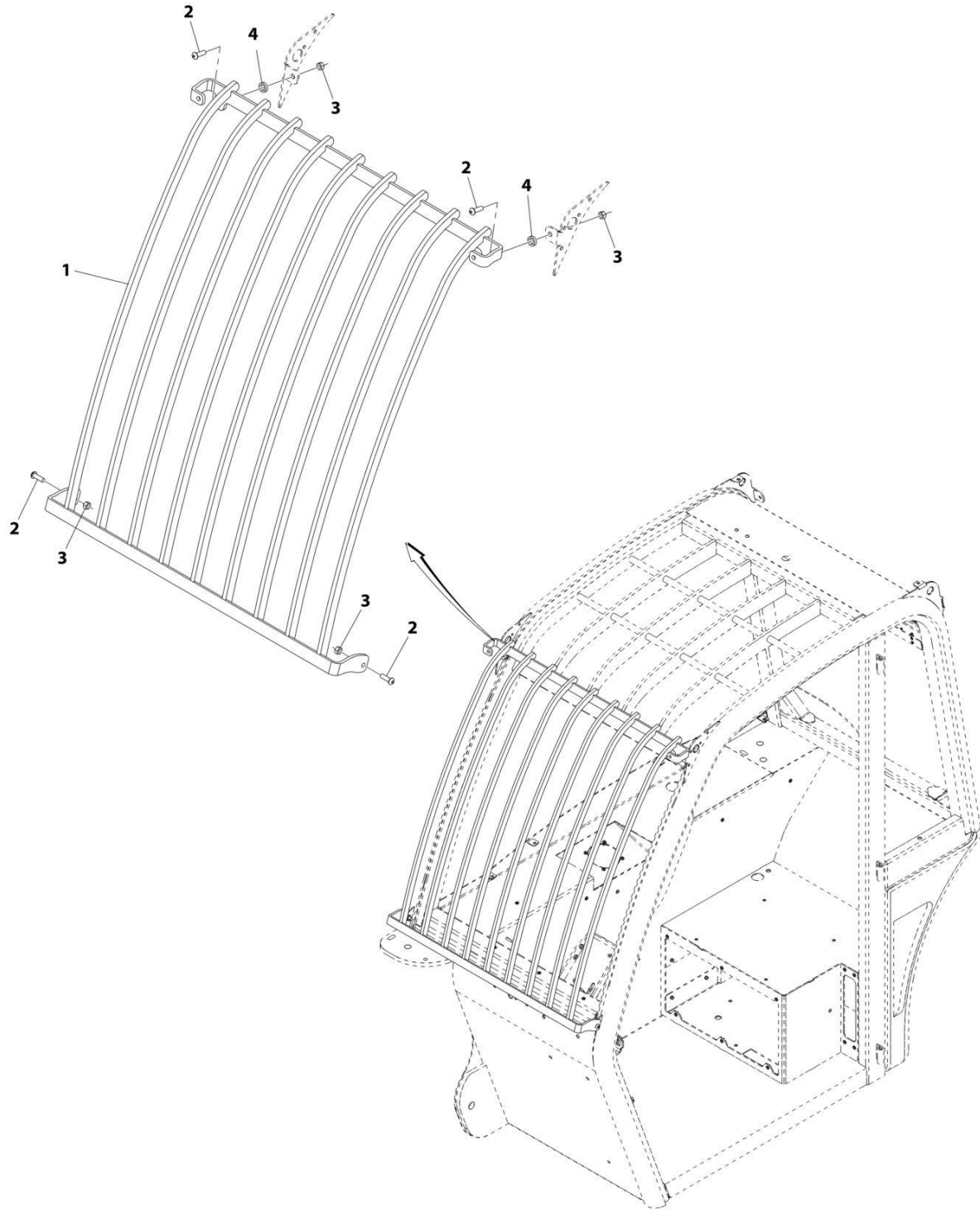
ART_1001081286-F

FIGURE 6-48. CAB GUARD INSTALLATION (TOP)

ITEM	PART NUMBER	QTY	DESCRIPTION	REV
	1001081286	Ref	Cab Guard Installation (Top)	F
1	1001189739	1	Upper Brick Guard	
2	0630468	4	Button HD Capscrew, 5/16-18X1	
3	1001108115	4	Hex Locknut, 5/16, GR8	
4	1001081296	1	Left Brick Guard Weldment	
5	1001081298	1	Right Brick Guard Weldment	
6	1001108242	4	Screw, 1/4-20X1/2, GR5	

SECTION 6 - CAB

FIGURE 6-49. CAB GUARD INSTALLATION (FRONT)



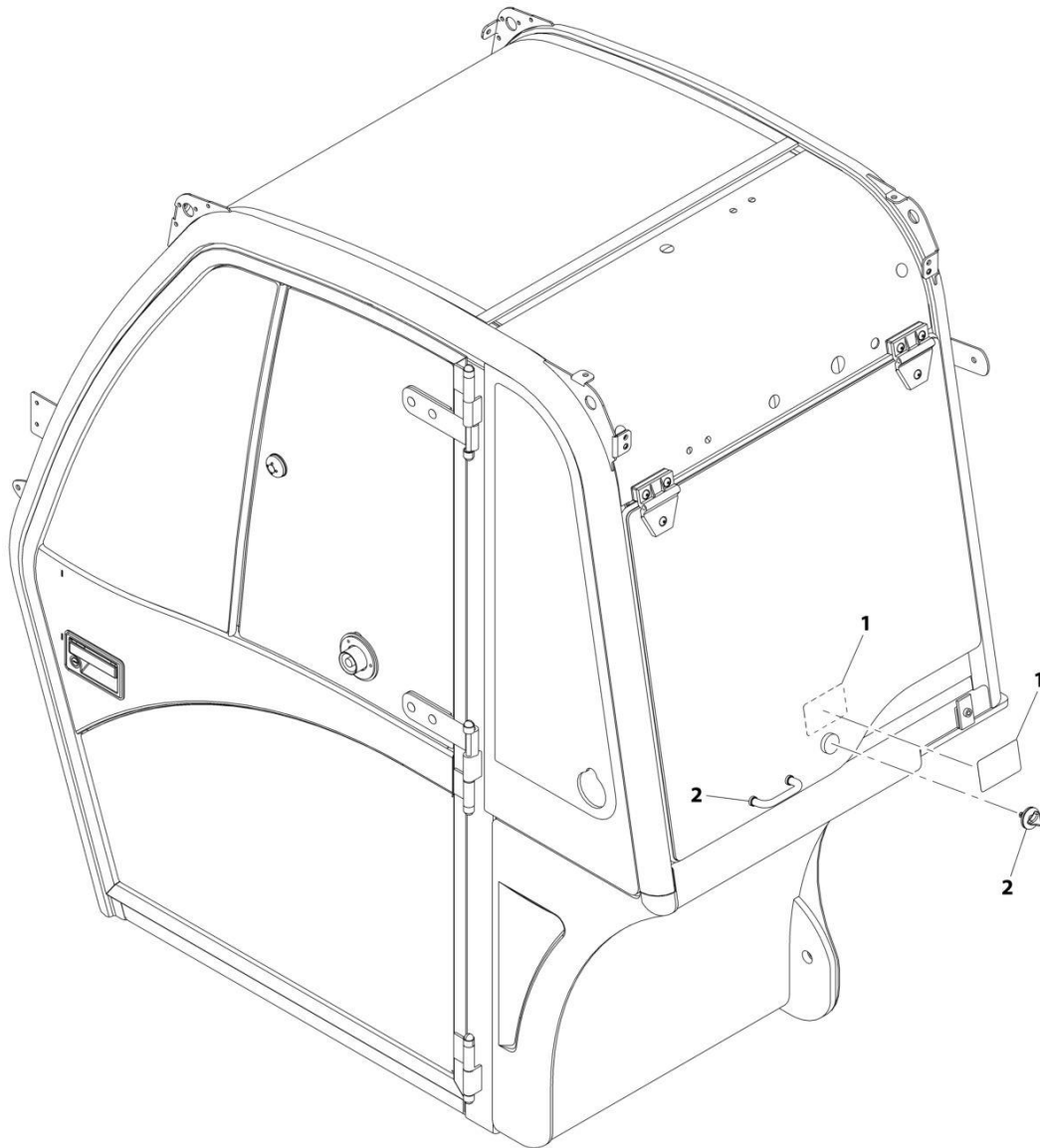
ART_1001081287-E

FIGURE 6-49. CAB GUARD INSTALLATION (FRONT)

ITEM	PART NUMBER	QTY	DESCRIPTION	REV
	1001081287	Ref	Cab Guard Installation (Front)	E
1	1001189753	1	Lower Brick Guard Shield	
2	0630468	4	Button HD Capscrew, 5/16-18X1	
3	1001108115	4	Hex Locknut, 5/16, GR8	
4	1001138703	2	Brick Guard Spacer	

SECTION 6 - CAB

FIGURE 6-50. REAR WINDOW ENTRY KIT INSTALLATION (ANSI)



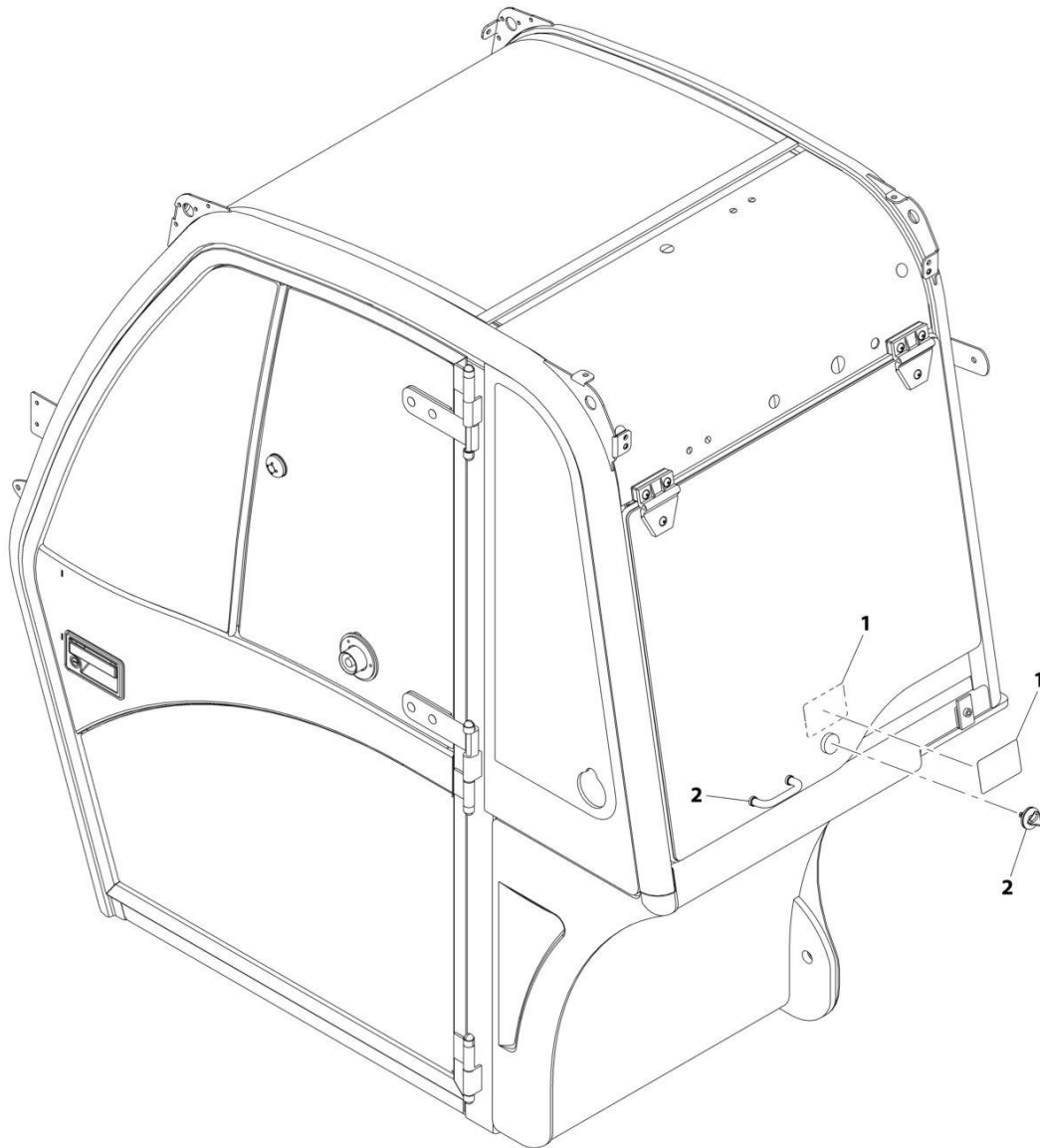
ART_1001162813-A

FIGURE 6-50. REAR WINDOW ENTRY KIT INSTALLATION (ANSI)

ITEM	PART NUMBER	QTY	DESCRIPTION	REV
	1001162813	Ref	Rear Window Entry Kit Installation (ANSI)	A
1	1001162814	2	Rear Window Exit Decal	
2	1001177469	1	Emergency Entry/Exit Window (See Separate Breakdown in this Section)	

SECTION 6 - CAB

FIGURE 6-51. REAR WINDOW ENTRY KIT INSTALLATION (ENGLISH/FRENCH)



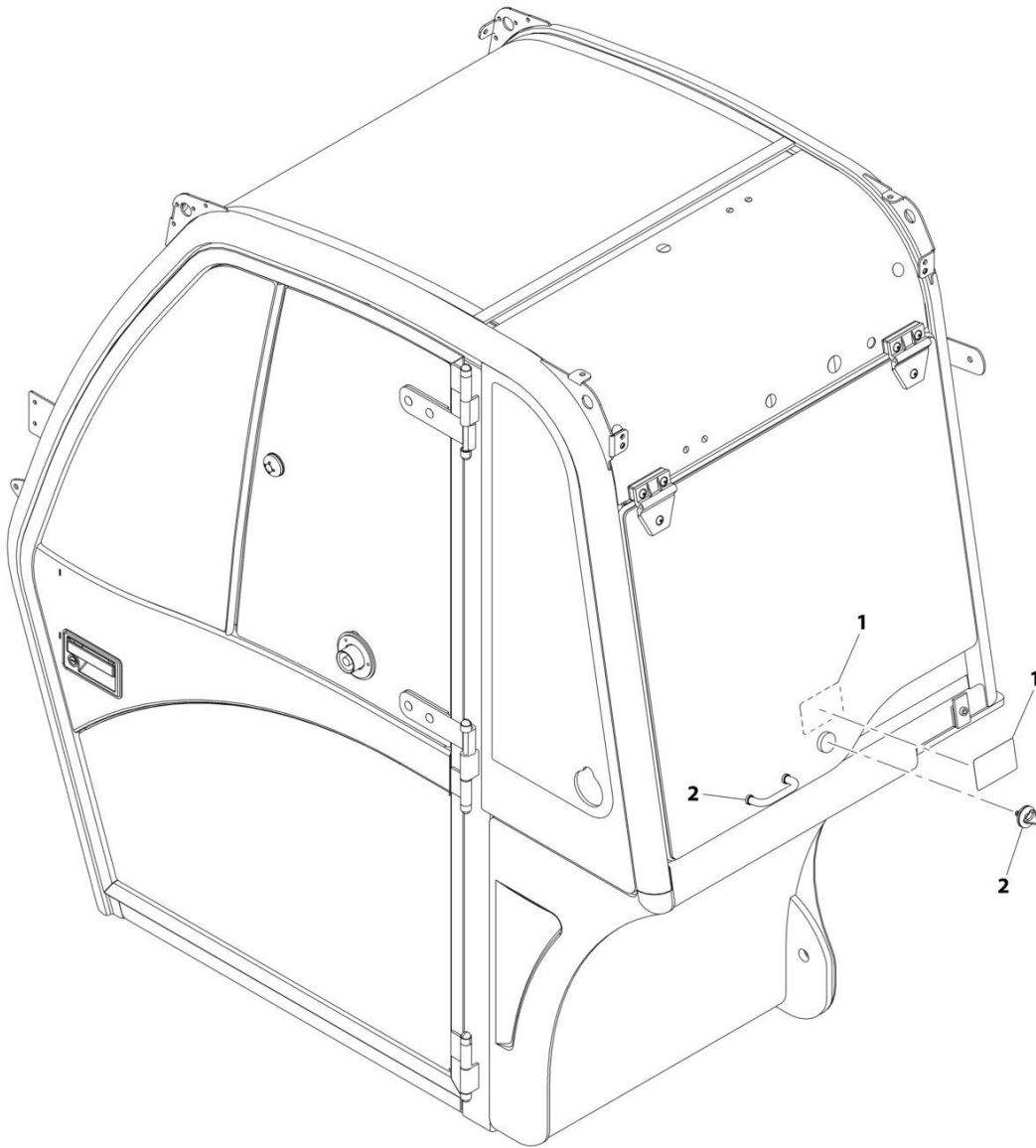
ART_1001177470-A

FIGURE 6-51. REAR WINDOW ENTRY KIT INSTALLATION (ENGLISH/FRENCH)

ITEM	PART NUMBER	QTY	DESCRIPTION	REV
	1001177470	Ref	Rear Window Entry Kit Installation (English/French)	A
1	1001162815	2	Rear Window Exit Decal	
2	1001177469	1	Emergency Entry/Exit Window (See Separate Breakdown in This Section)	

SECTION 6 - CAB

FIGURE 6-52. REAR WINDOW ENTRY KIT INSTALLATION (ISO)



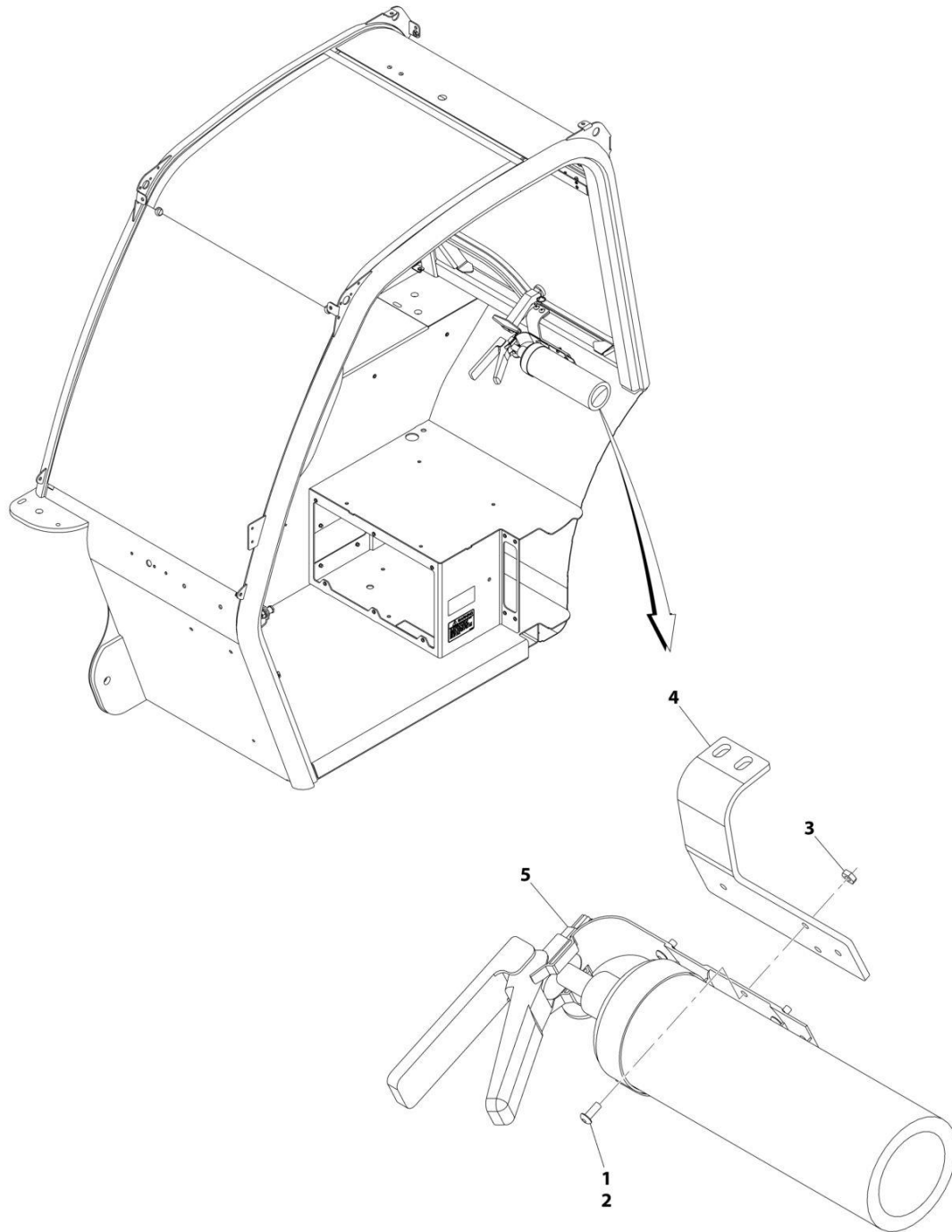
ART_1001177471-A

FIGURE 6-52. REAR WINDOW ENTRY KIT INSTALLATION (ISO)

ITEM	PART NUMBER	QTY	DESCRIPTION	REV
	1001177471	Ref	Rear Window Entry Kit Installation (ISO)	A
1	1001162816	2	Rear Window Exit Decal	
2	1001177469	1	Emergency Entry/Exit Window (See Separate Breakdown in This Section)	

SECTION 6 - CAB

FIGURE 6-53. FIRE EXTINGUISHER INSTALLATION



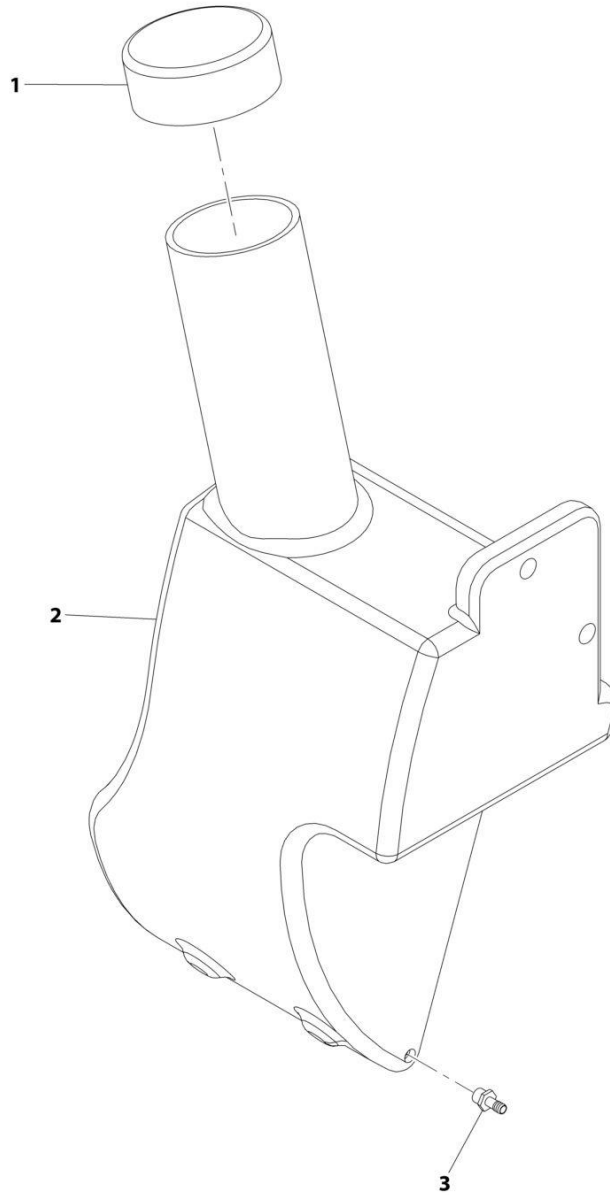
ART_1001162487-A

FIGURE 6-53. FIRE EXTINGUISHER INSTALLATION

ITEM	PART NUMBER	QTY	DESCRIPTION	REV
	1001162487	Ref	Fire Extinguisher Installation	A
1	0100011	AR	Loctite	
2	0630464	4	Button HD Screw, 10-24X1/2	
3	3311005	4	Hex Locknut, 10-24, GR2	
4	1001162486	1	Bracket	
5	1001099699	1	Fire Extinguisher	

SECTION 6 - CAB

FIGURE 6-54. WASHER FLUID TANK ASSEMBLY



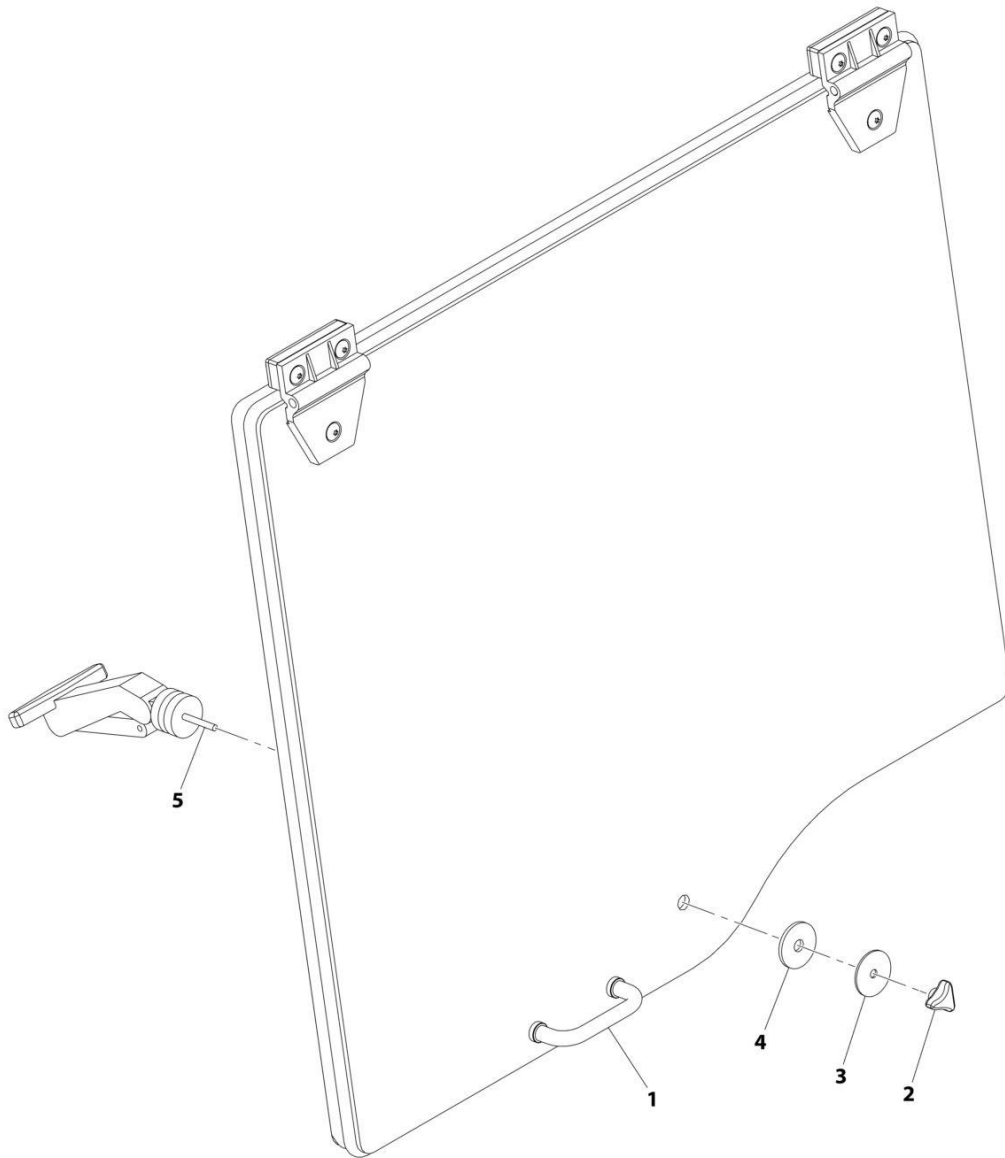
ART_1001080824-C

FIGURE 6-54. WASHER FLUID TANK ASSEMBLY

ITEM	PART NUMBER	QTY	DESCRIPTION	REV
	1001080824	Ref	Washer Fluid Tank Assembly	C
1	1001080872	1	Cap	
2	1001097319	1	Washer Fluid Tank	
3	1001081234	1	Fitting	

SECTION 6 - CAB

FIGURE 6-55. EMERGENCY ENTRY/EXIT WINDOW



ART_1001177469-A

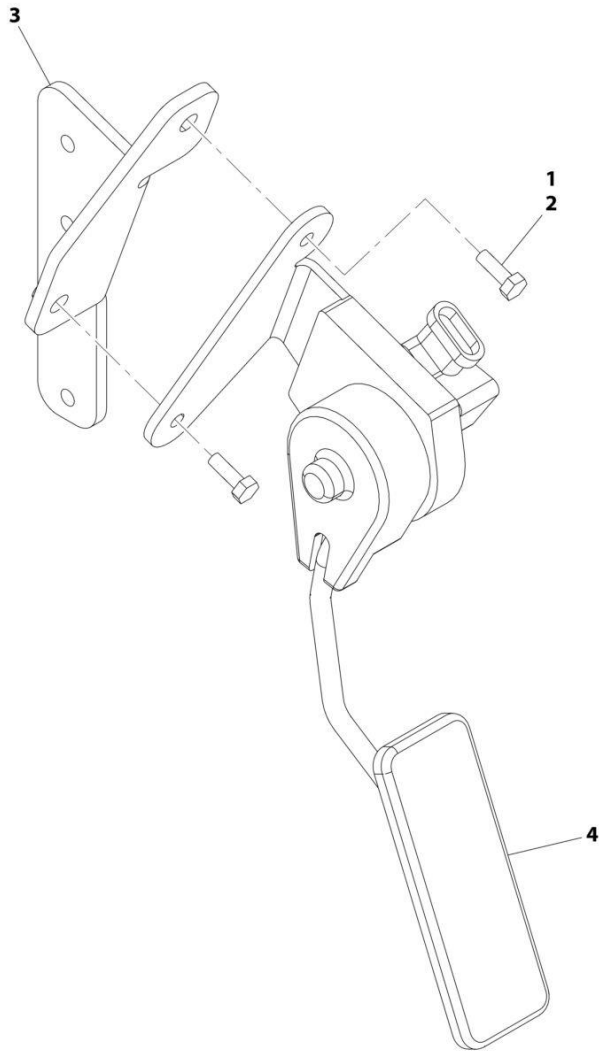
FIGURE 6-55. EMERGENCY ENTRY/EXIT WINDOW

ITEM	PART NUMBER	QTY	DESCRIPTION	REV
	1001177469	Ref	Emergency Entry/Exit Window	A
1	1001162829	1	Rear Window Entry Handle	
2	1001162830	1	Rear Window Entry Knob	
3	1001177636	1	Flat Washer	
4	1001177640	1	Washer, M10	
5	1001178811	1	Bolt	

SECTION 7 - CONTROLS

SECTION 7 - CONTROLS

FIGURE 7-1. ACCELERATOR PEDAL ASSEMBLY



ART_1001138639-C

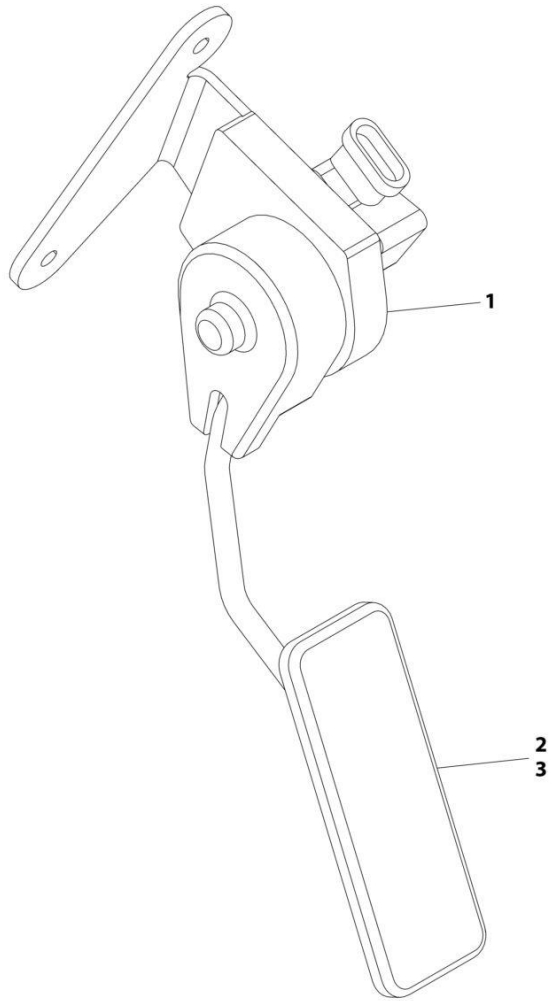
SECTION 7 - CONTROLS

FIGURE 7-1. ACCELERATOR PEDAL ASSEMBLY

ITEM	PART NUMBER	QTY	DESCRIPTION	REV
	1001138639	Ref	Accelerator Pedal Assembly	C
1	0100011	AR	Compound, Locking	
2	0641406	2	Bolt, 1/4-20X3/4	
3	1001138003	1	Bracket	
4	80383410	1	Accelerator Pedal (See Separate Breakdown this Section)	

SECTION 7 - CONTROLS

FIGURE 7-2. ACCELERATOR PEDAL



ART_80383410-A

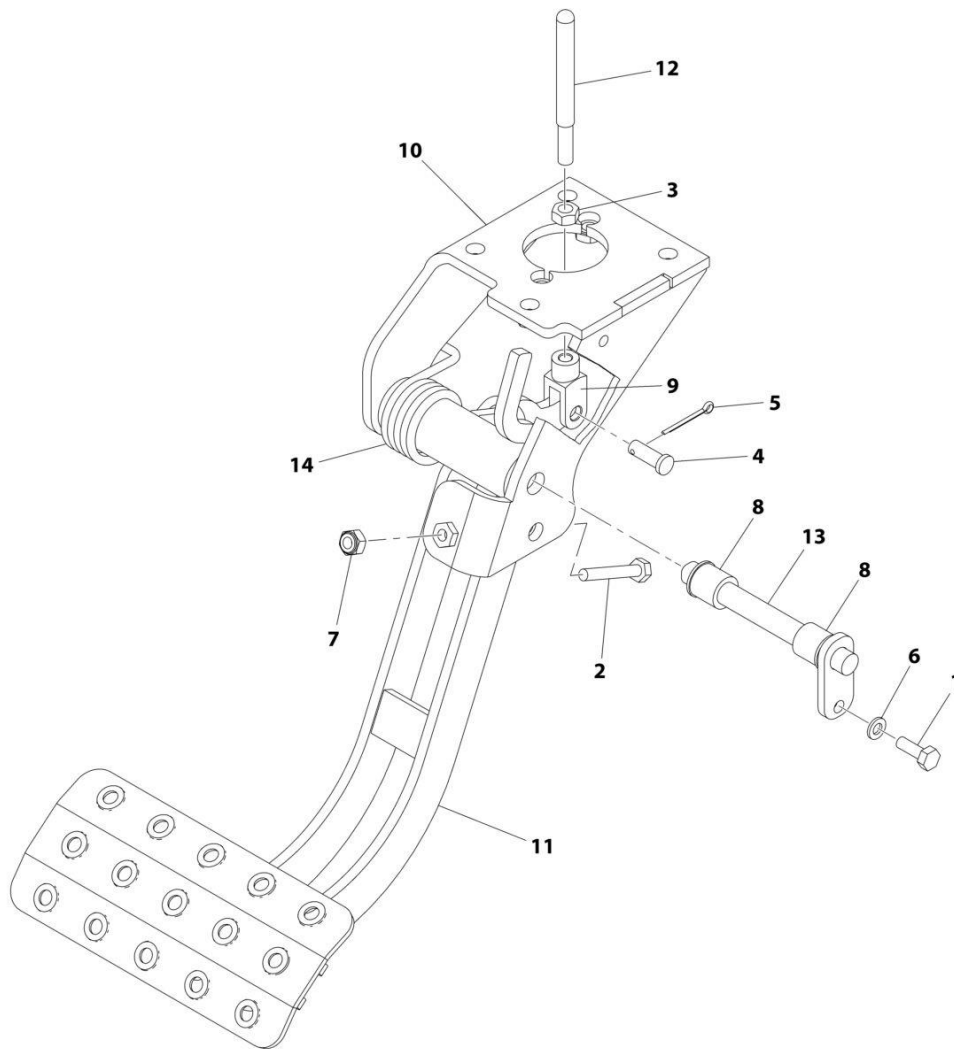
SECTION 7 - CONTROLS

FIGURE 7-2. ACCELERATOR PEDAL

ITEM	PART NUMBER	QTY	DESCRIPTION	REV
	80383410	Ref	Accelerator Pedal	A
1	70020551	1	Sensor Kit	
2	70023325	1	Pedal Kit	
3	7026481	1	Arm, Pedal	

SECTION 7 - CONTROLS

FIGURE 7-3. BRAKE PEDAL INSTALLATION



ART_1001189734-C

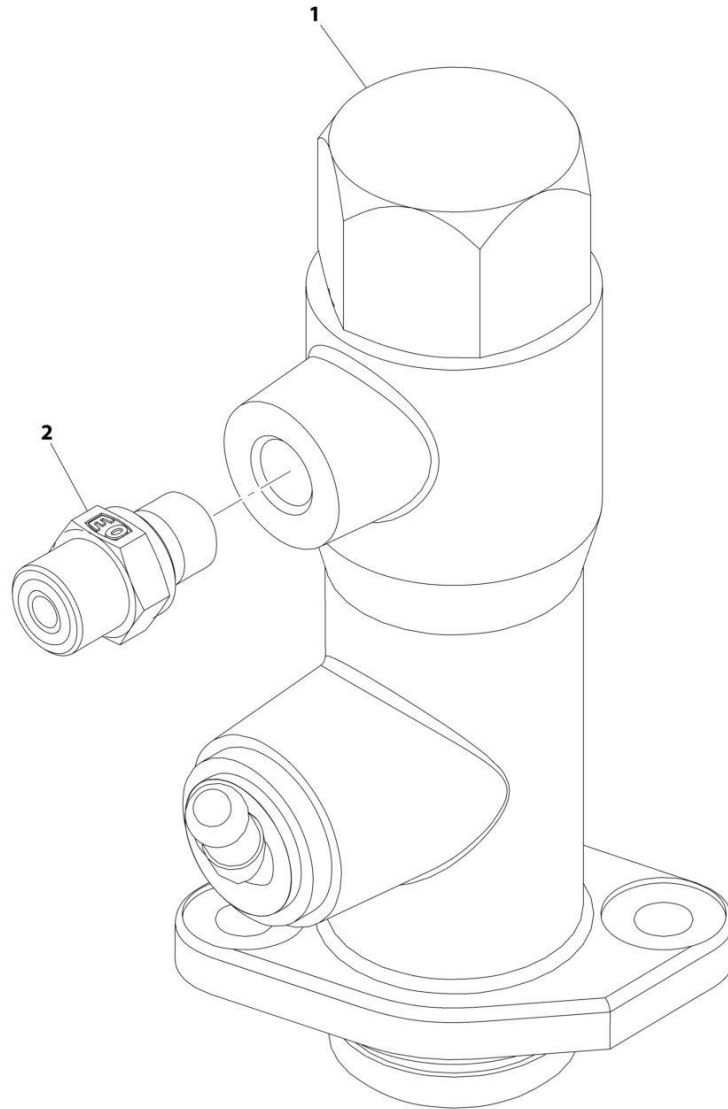
SECTION 7 - CONTROLS

FIGURE 7-3. BRAKE PEDAL INSTALLATION

ITEM	PART NUMBER	QTY	DESCRIPTION	REV
	1001189734	Ref	Brake Pedal Installation	C
1	0641406	1	Hex HD Capscrew, 1/4-20X3/4, GR5	
2	0681414	1	Hex HD Cap Screw, 1/4-20X1 3/4, GR8	
3	3290801	1	Nut, M8X1.25	
4	3430507	1	Clevis Pin	
5	3450304	1	Cotter Pin	
6	4761400	1	Lockwasher, 1/4	
7	88521304	1	Hex Locknut, 1/4-20	
8	1001189738	2	Bearing	
9	1001189743	1	Universal Clevis Yoke	
10	1001189745	1	Brake Support Mount	
11	1001189803	1	Brake Weldment Lever	
12	1001189839	1	Brake Push Rod	
13	1001189850	1	Brake Shaft Pin	
14	1001189733	1	Brake Spring	

SECTION 7 - CONTROLS

FIGURE 7-4. MASTER CYLINDER VALVE ASSEMBLY



ART_1001080559-C

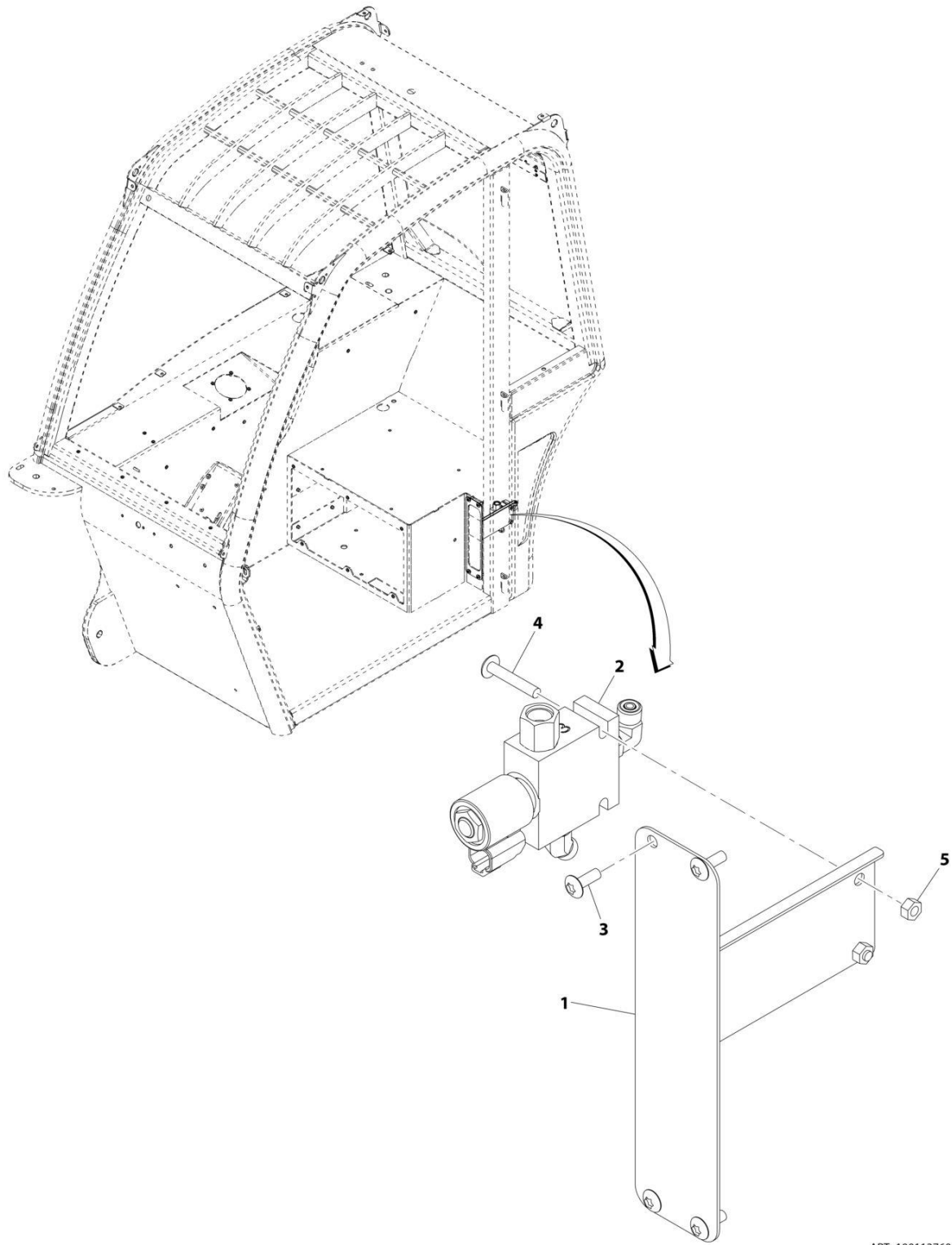
SECTION 7 - CONTROLS

FIGURE 7-4. MASTER CYLINDER VALVE ASSEMBLY

ITEM	PART NUMBER	QTY	DESCRIPTION	REV
1	1001080559	Ref	Master Cylinder Valve Assembly	C
	1001080262	1	Brake Master Cylinder Valve, (See Separate Breakdown in Hydraulic Components Section)	
2	2145004	1	Straight Fitting	

SECTION 7 - CONTROLS

FIGURE 7-5. PARK BRAKE VALVE INSTALLATION



ART_1001137600-C

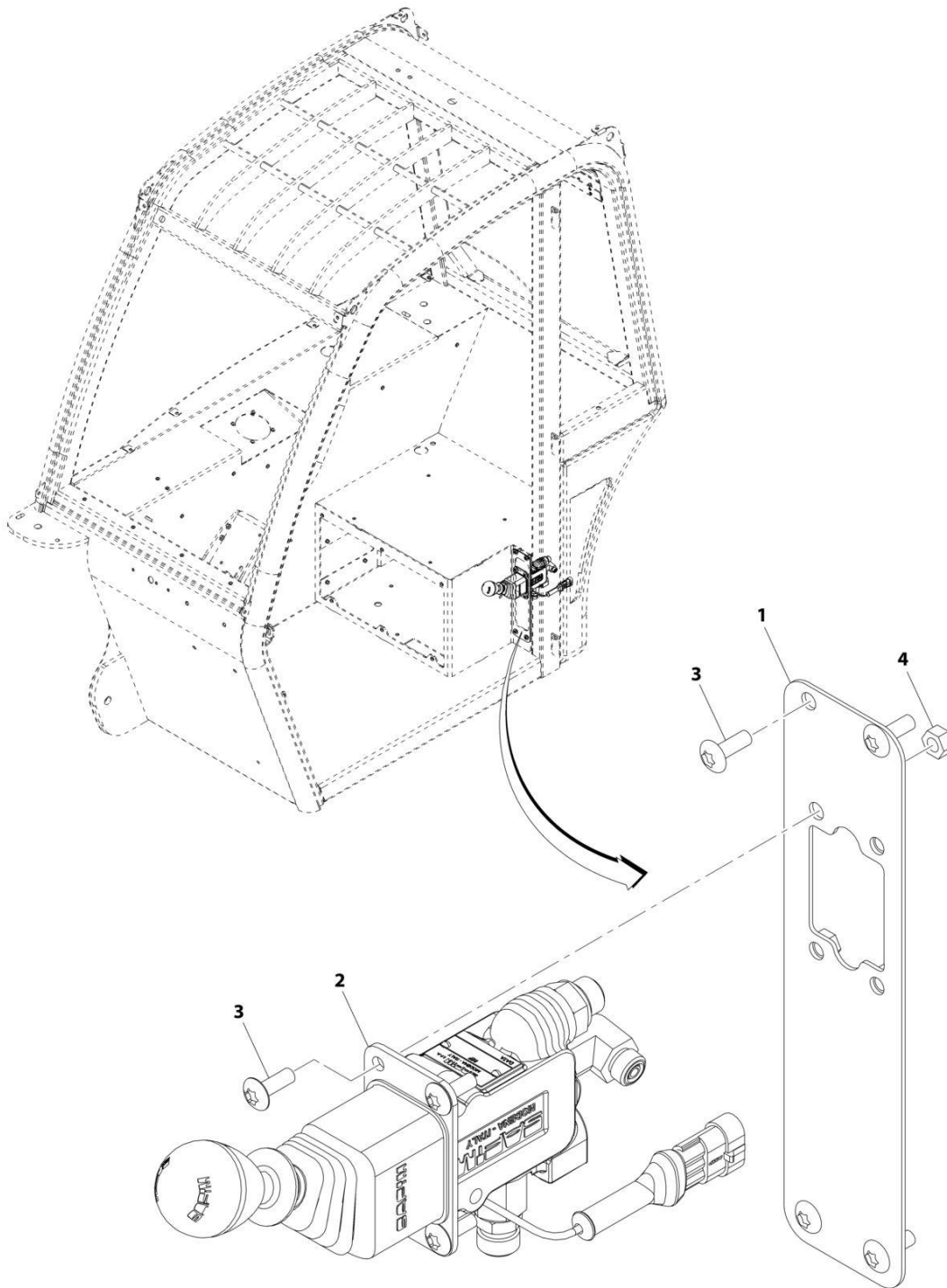
SECTION 7 - CONTROLS

FIGURE 7-5. PARK BRAKE VALVE INSTALLATION

ITEM	PART NUMBER	QTY	DESCRIPTION	REV
	1001137600	Ref	Park Brake Valve Installation	C
1	1001188496	1	Bracket	
2	1001080567	1	Assembly, Park Brake Valve (See Separate Breakdown in Hydraulic Circuits Section)	
3	8303034	4	Screw	
4	101977201	2	Screw	
5	3311405	2	Nut, Lock 1/4-20	

SECTION 7 - CONTROLS

FIGURE 7-6. PARK BRAKE VALVE INSTALLATION (EURO)



ART_1001137602-B

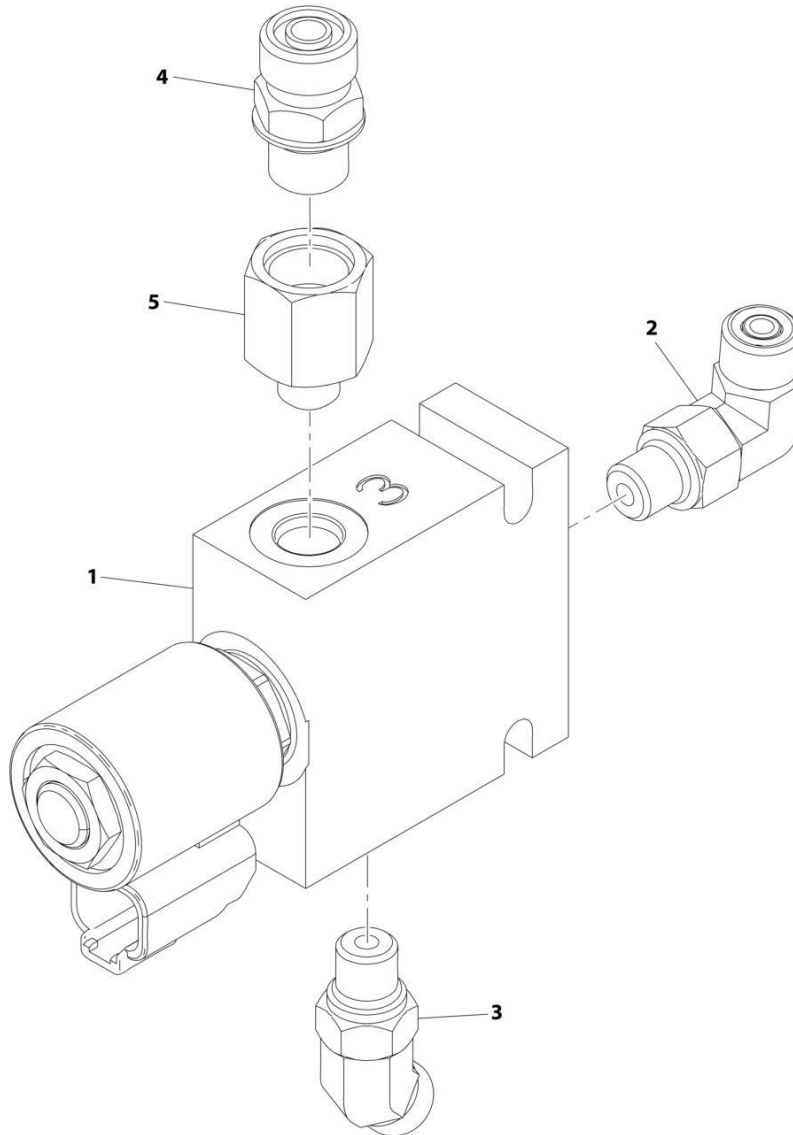
SECTION 7 - CONTROLS

FIGURE 7-6. PARK BRAKE VALVE INSTALLATION (EURO)

ITEM	PART NUMBER	QTY	DESCRIPTION	REV
	1001137602	Ref	Park Brake Valve Installation (Euro)	B
1	1001137998	1	Park Brake Valve Bracket	
2	1001080968	1	Park Brake Valve Assembly (Euro) (See Separate Breakdown this Section)	
3	8303034	8	Screw, 1/4-20X0.75	
4	3271405	4	Hex Locknut, 1/4-20, GR8	

SECTION 7 - CONTROLS

FIGURE 7-7. PARK BRAKE VALVE ASSEMBLY



ART_1001080567-A

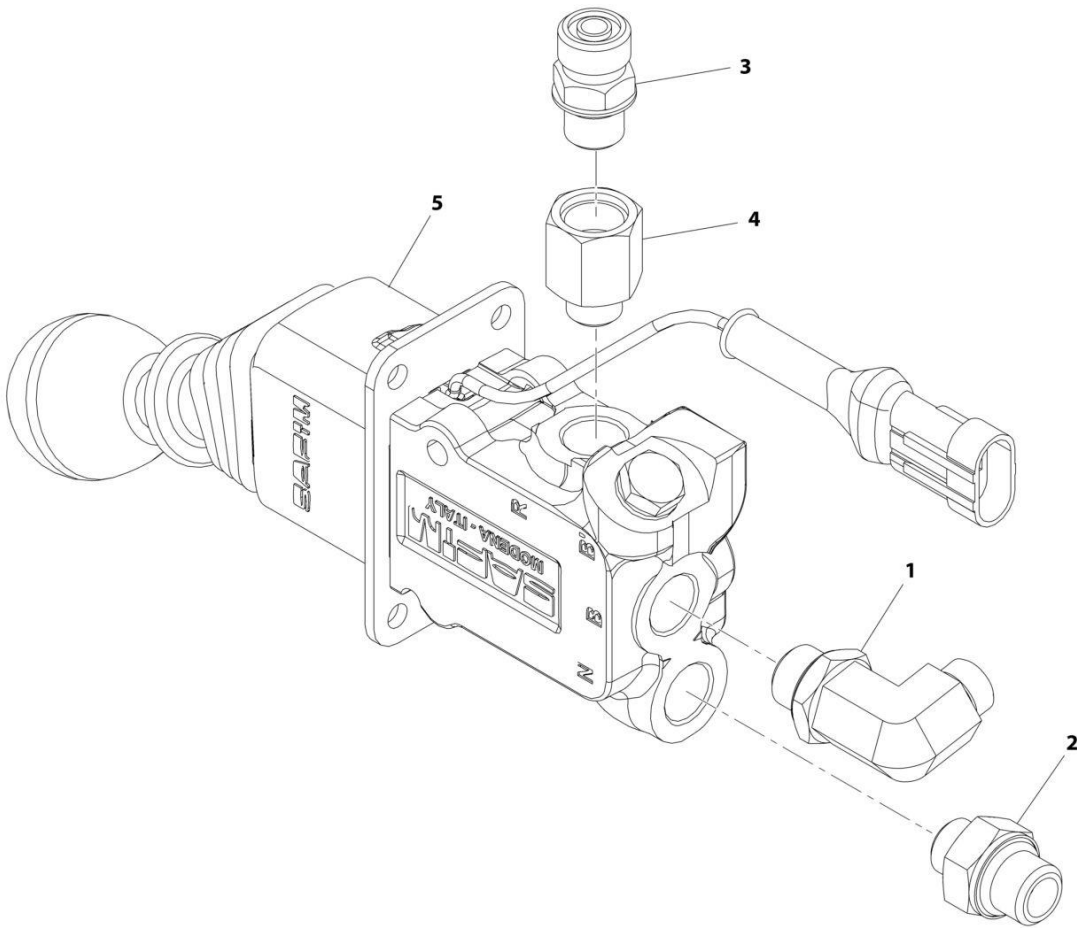
SECTION 7 - CONTROLS

FIGURE 7-7. PARK BRAKE VALVE ASSEMBLY

ITEM	PART NUMBER	QTY	DESCRIPTION	REV
	1001080567	Ref	Park Brake Valve Assembly	A
1	1001080359	1	Valve, Park Brake Release (See Separate Breakdown in Hydraulic Components Section)	
2	2130404	1	Fitting, 90 ORFS	
3	2150404	1	Fitting, 90 ORFS	
4	80333184	1	Fitting, Straight	
5	86561311	1	Fitting, Straight	

SECTION 7 - CONTROLS

FIGURE 7-8. PARK BRAKE VALVE ASSEMBLY (EURO)



ART_1001080968-B

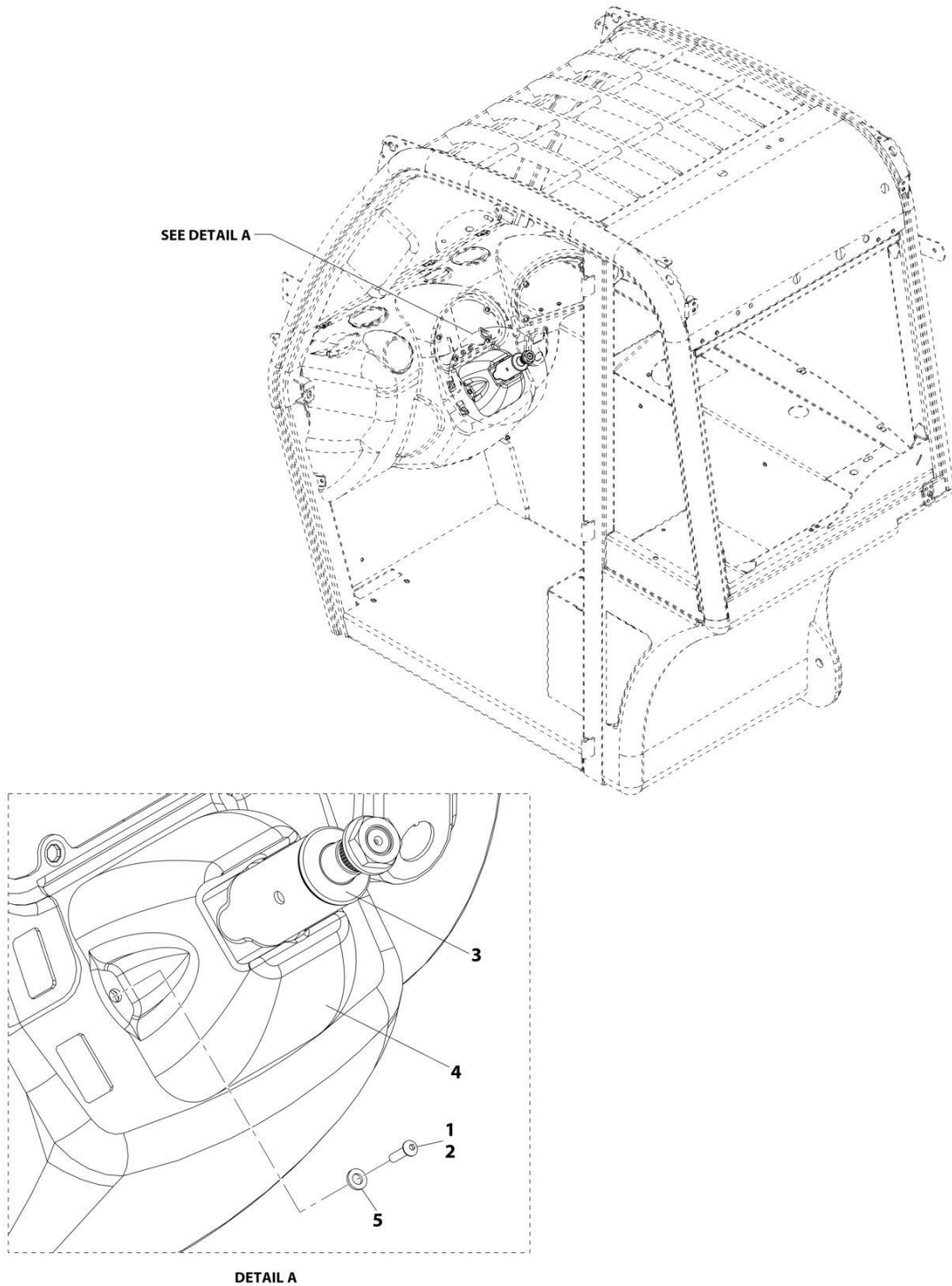
SECTION 7 - CONTROLS

FIGURE 7-8. PARK BRAKE VALVE ASSEMBLY (EURO)

ITEM	PART NUMBER	QTY	DESCRIPTION	REV
	1001080968	Ref	Park Brake Valve Assembly (Euro)	B
1	80233256	1	Elbow, 90	
2	80233257	1	Adapter, Connector	
3	80333184	1	Check Fitting	
4	1001098069	1	Fitting	
5	1001098153	1	Valve, Park Brake Release (Euro) (See Separate Breakdown in Hydraulic Components Section)	

SECTION 7 - CONTROLS

FIGURE 7-9. FIXED STEERING COLUMN INSTALLATION



ART_1001221303-A

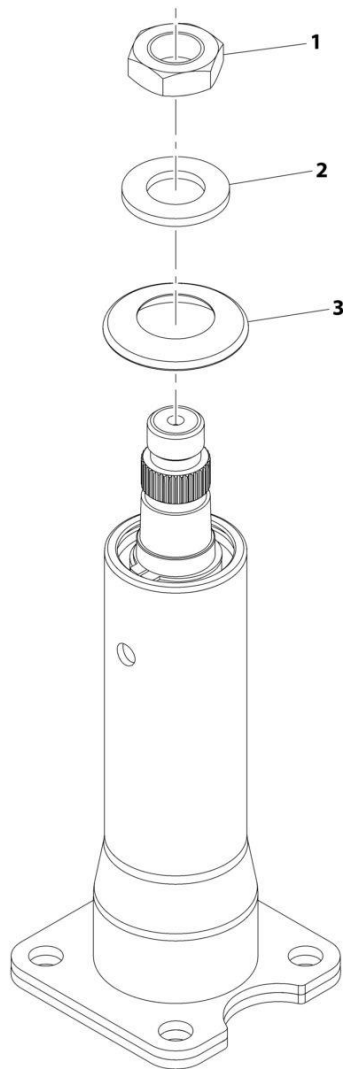
SECTION 7 - CONTROLS

FIGURE 7-9. FIXED STEERING COLUMN INSTALLATION

ITEM	PART NUMBER	QTY	DESCRIPTION	REV
	1001221303	Ref	Fixed Steering Column Installation	A
1	0100035	AR	Loctite 222	
2	0630518	2	Screw	
3	1001081223	1	Fixed Steering Column (See Separate Breakdown in this Section)	
4	1001153629	1	Steering Column Boot	
5	4811700001	2	Washer, M6	

SECTION 7 - CONTROLS

FIGURE 7-10. FIXED STEERING COLUMN



ART_1001081223-D

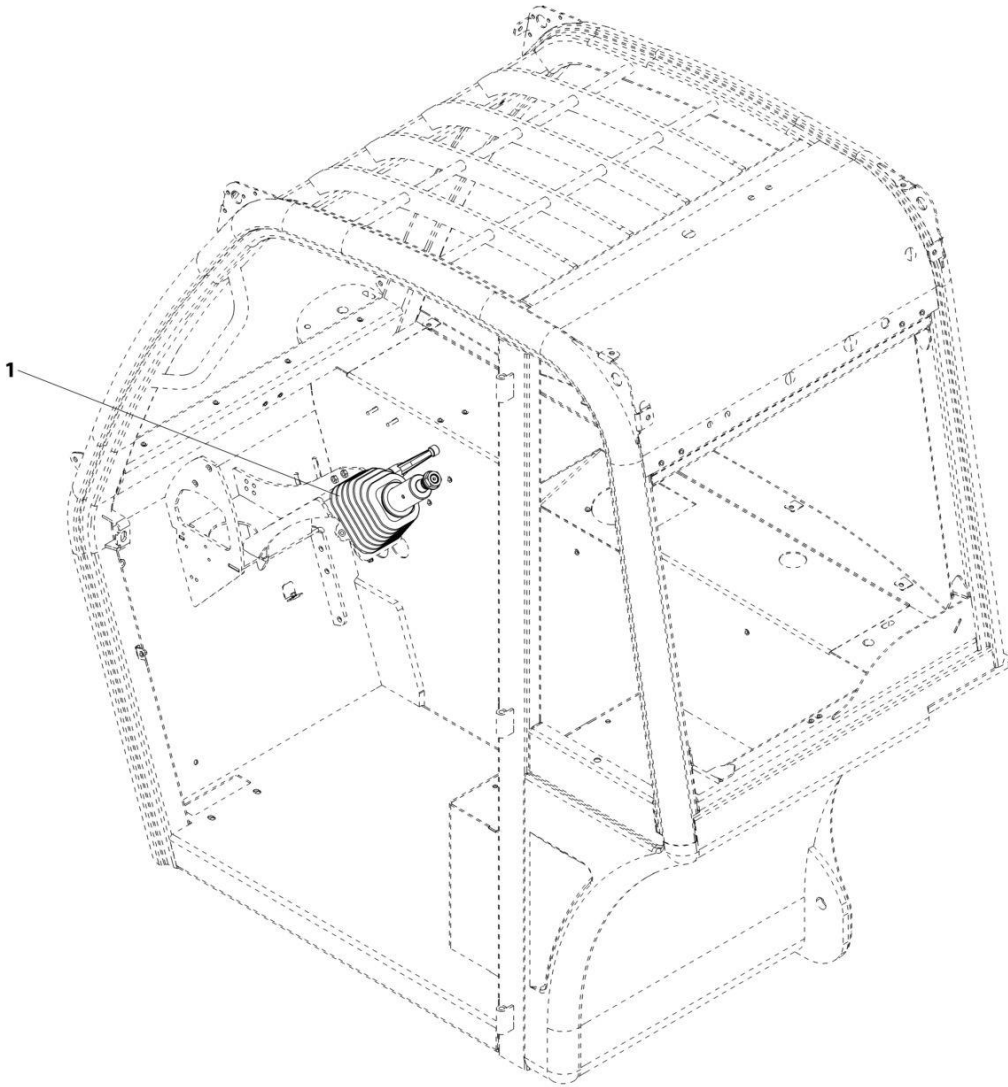
SECTION 7 - CONTROLS

FIGURE 7-10. FIXED STEERING COLUMN

ITEM	PART NUMBER	QTY	DESCRIPTION	REV
	1001081223	Ref	Fixed Steering Column	D
1	70020923	1	Nut, M18X.5	
2	70020924	1	Washer	
3	70020925	1	Rubber Cap	

SECTION 7 - CONTROLS

FIGURE 7-11. TILT STEERING COLUMN INSTALLATION



ART_1001080809-A

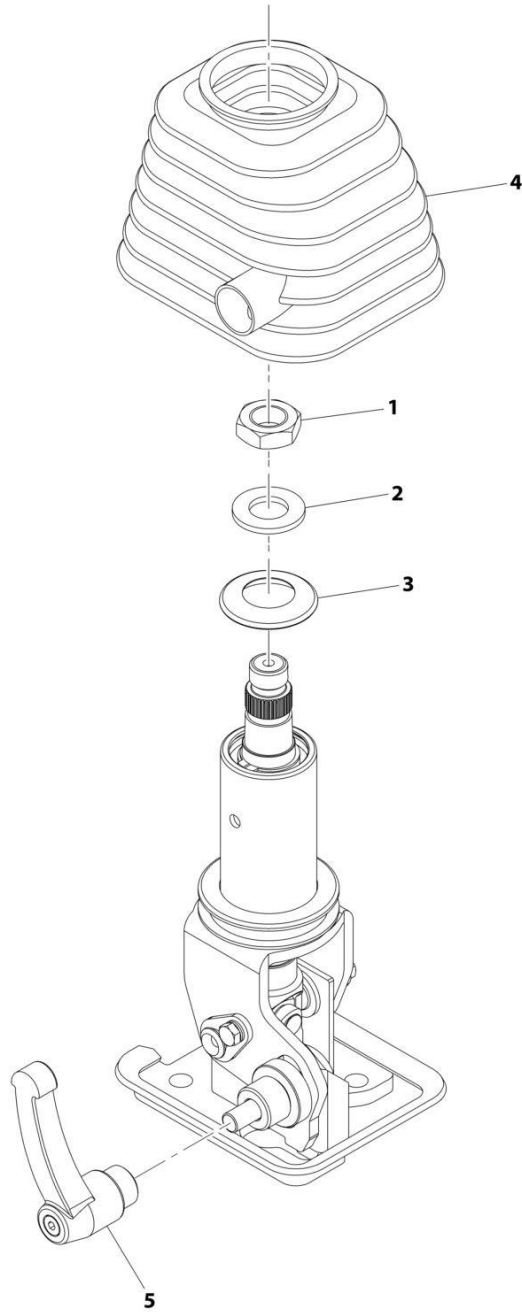
SECTION 7 - CONTROLS

FIGURE 7-11. TILT STEERING COLUMN INSTALLATION

ITEM	PART NUMBER	QTY	DESCRIPTION	REV
1	1001080809	Ref	Tilt Steering Column Installation	A
	1001080826	1	Tilt Steering Column (See Separate Breakdown in this Section)	

SECTION 7 - CONTROLS

FIGURE 7-12. TILT STEERING COLUMN



ART_1001080826-F

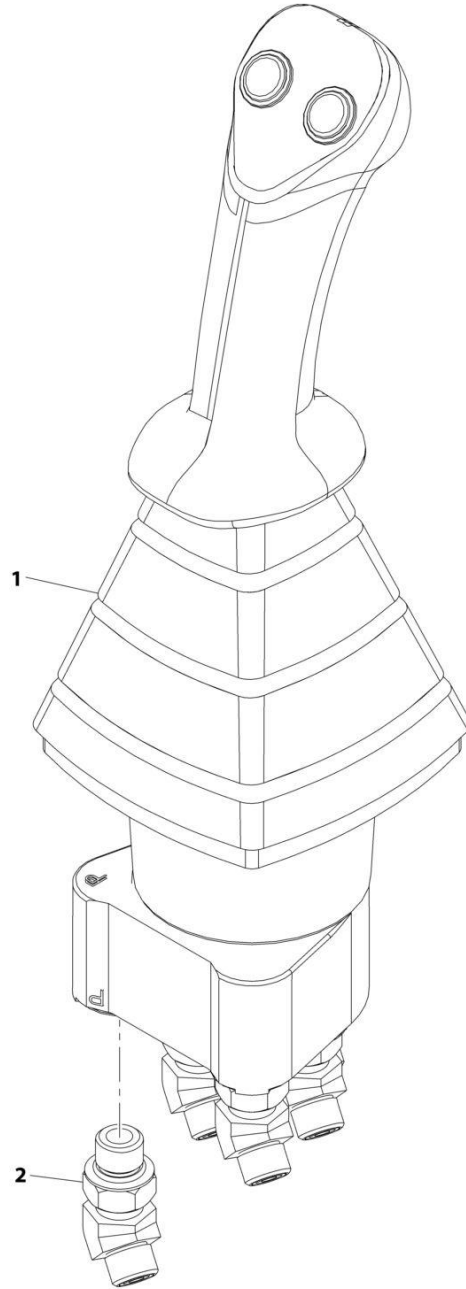
SECTION 7 - CONTROLS

FIGURE 7-12. TILT STEERING COLUMN

ITEM	PART NUMBER	QTY	DESCRIPTION	REV
	1001080826	Ref	Tilt Steering Column	F
1	70020923	1	Nut, M18-1-1/2	
2	70020924	1	Washer	
3	70020925	1	Rubber Cap	
4	70020926	1	Bellows	
5	70020927	1	Locking Handle	

SECTION 7 - CONTROLS

FIGURE 7-13. HYDRAULIC CONTROLLER ASSEMBLY



ART_1001080500-D

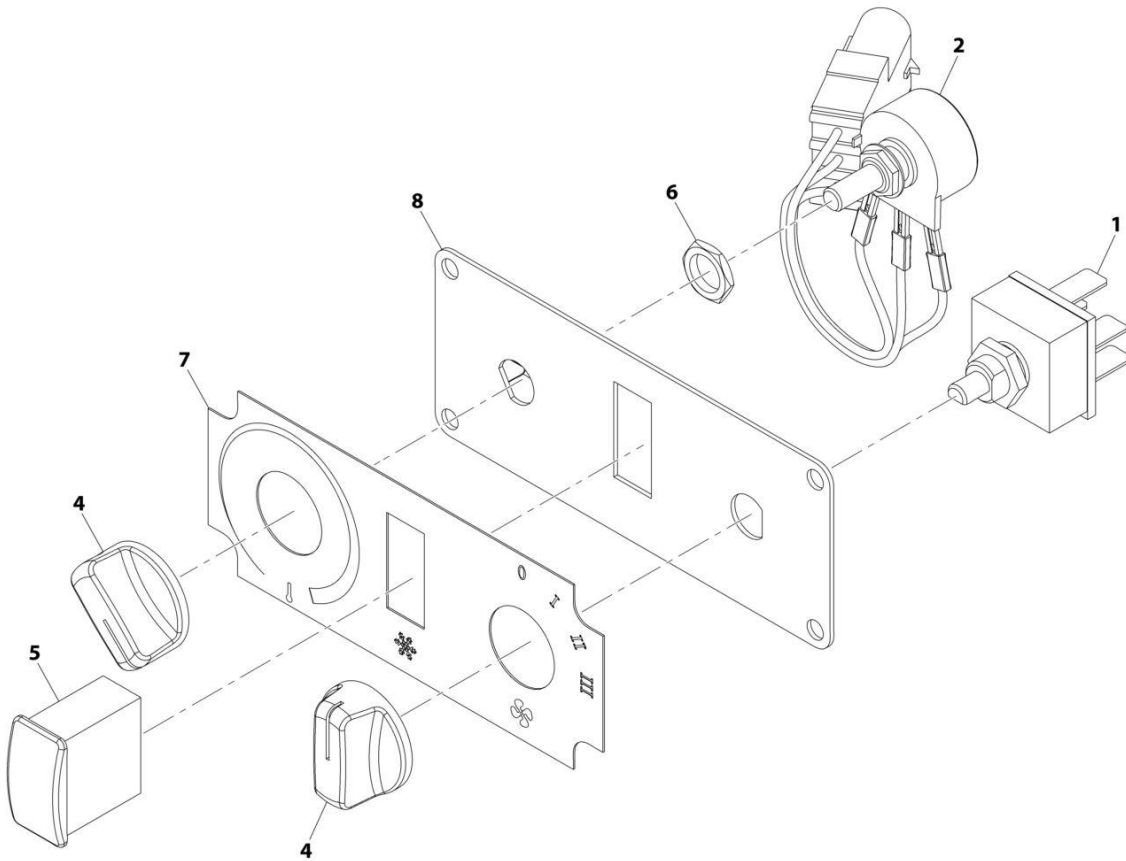
SECTION 7 - CONTROLS

FIGURE 7-13. HYDRAULIC CONTROLLER ASSEMBLY

ITEM	PART NUMBER	QTY	DESCRIPTION	REV
	1001080500	1	Hydraulic Controller Assembly	D
1	1001080256	1	Joystick (See Separate Breakdown in this Section)	
2	2150406	1	Fitting, 45 ORFS	

SECTION 7 - CONTROLS

FIGURE 7-14. HEATER CONTROL SWITCH



ART_1001193945-D

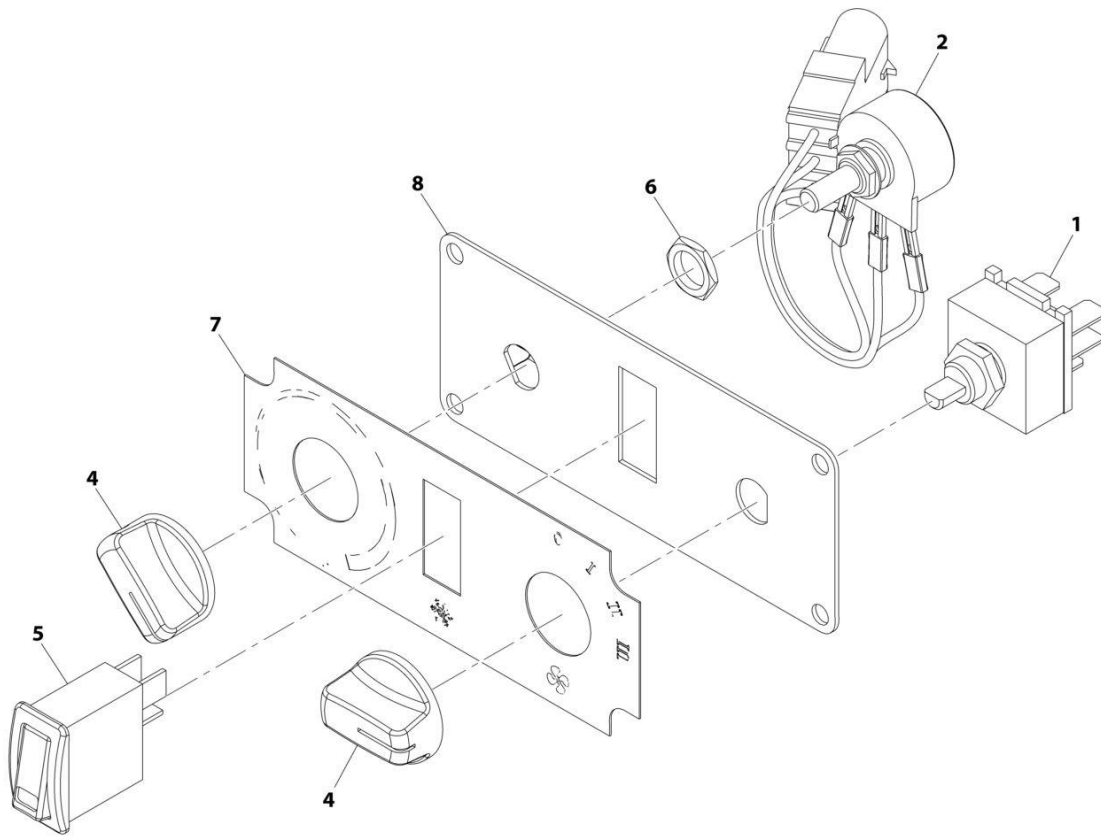
SECTION 7 - CONTROLS

FIGURE 7-14. HEATER CONTROL SWITCH

ITEM	PART NUMBER	QTY	DESCRIPTION	REV
	1001193945	Ref	Heater Control Switch	D
1	1001204362	1	Switch, Blower	
2	1001151643	1	Potentiometer	
4	1001204360	2	Positioning Knob	
5	1001204363	1	Rocker Switch	
6	1001204464	1	Jam Nut	
7	1001204469	1	Decal, Switch Panel	
8	1001204470	1	Plate, Switch Panel	

SECTION 7 - CONTROLS

FIGURE 7-15. HVAC CONTROL SWITCH



ART_1001193501-D

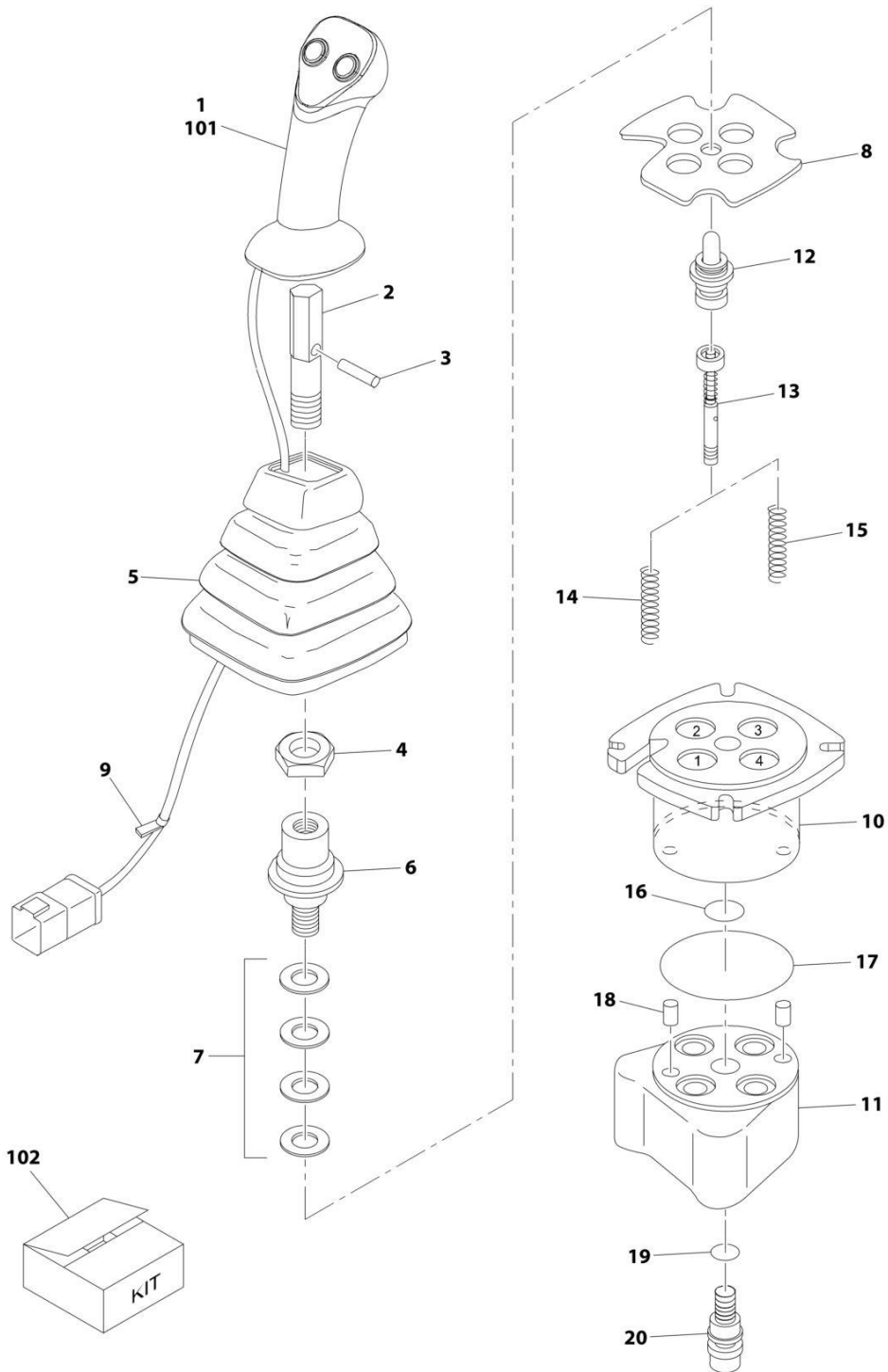
SECTION 7 - CONTROLS

FIGURE 7-15. HVAC CONTROL SWITCH

ITEM	PART NUMBER	QTY	DESCRIPTION	REV
	1001193501	Ref	HVAC Control Switch	D
1	1001204362	1	Switch, Blower	
2	1001151643	1	Potentiometer	
4	1001204360	2	Positioning Knob	
5	1001204385	1	Rocker Switch	
6	1001204464	1	Jam Nut	
7	1001204469	1	Decal, Switch Panel	
8	1001204470	1	Plate, Switch Panel	

SECTION 7 - CONTROLS

FIGURE 7-16. BOOM JOYSTICK



ART_1001080256-D

SECTION 7 - CONTROLS

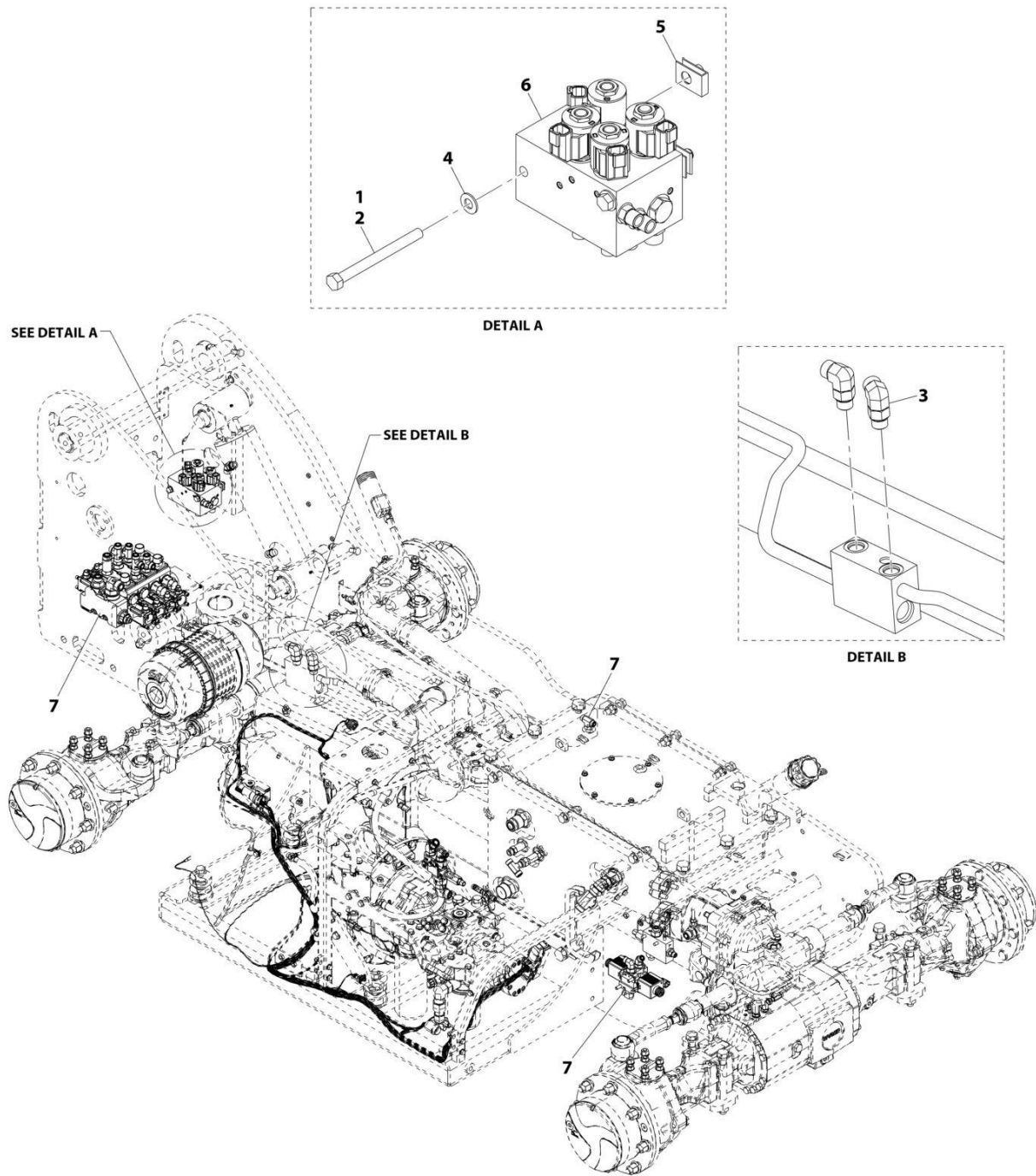
FIGURE 7-16. BOOM JOYSTICK

ITEM	PART NUMBER	QTY	DESCRIPTION	REV
	1001080256	Ref	Boom Joystick	D
1	70020769	1	Handle Assembly	
2	70020770	1	Straight Lever Kit	
3	N.S.S.	1	Straight Lever	
4	N.S.S.	1	Hex Nut	
5	70020771	1	Rubber Boot	
6	80264138	1	Cardan Kit	
7	N.S.S.	AR	Shim	
8	91404013	1	Retaining Plate	
9	80264139	1	Grommet Kit	
10	91404016	1	Upper Body	
11	N.S.S.	1	Lower Body	
12	91304025	2	Plunger And Guide Kit	
13	91514224	4	Regulating Unit	
14	91504028	1	Return Spring	
15	91504029	1	Return Spring	
16	Kit	1	O-Ring	
17	Kit	1	O-Ring	
18	Kit	2	Dowel Pin	
19	Kit	1	O-Ring	
20	Kit	1	Screw Assembly	
101	3931412	4	Socket HD Screw, 1/4-20X3/4	
102	91404326	1	Seal Kit, (Includes Items 16 Thru 20)	

SECTION 8 - HYDRAULIC CIRCUITS

SECTION 8 - HYDRAULIC CIRCUITS

FIGURE 8-1. VALVE INSTALLATION (ANSI)



ART_1001190784-D

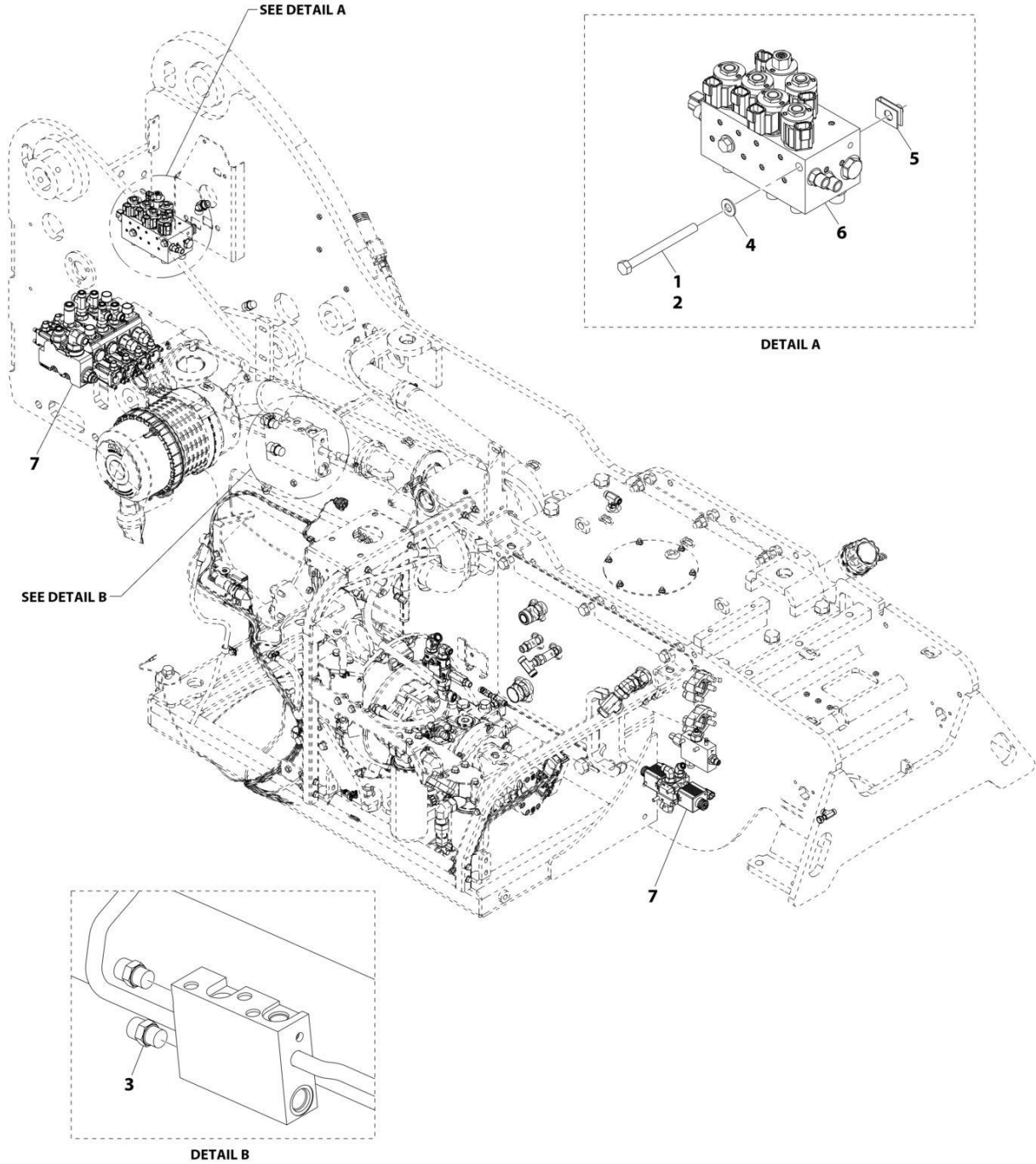
SECTION 8 - HYDRAULIC CIRCUITS

FIGURE 8-1. VALVE INSTALLATION (ANSI)

ITEM	PART NUMBER	QTY	DESCRIPTION	REV
	1001190784	Ref	Valve Installation (ANSI)	D
1	0100011	AR	Loctite 242	
2	0641634	2	Hex HD Capscrew, 3/8-16X4-1/4, GR5	
3	2131010	2	Elbow, 90	
4	4711600	2	Washer, 3/8	
5	88662523	2	Tinnerman Nut	
6	1001131099	1	Assembly, Pilot Select Valve (ANSI) (See Separate Breakdown in this Section)	
7	1001190692	1	Installation, Hydraulic Valve (See Separate Breakdown in this Section)	

SECTION 8 - HYDRAULIC CIRCUITS

FIGURE 8-2. VALVE INSTALLATION (CE)



ART_1001190694-D

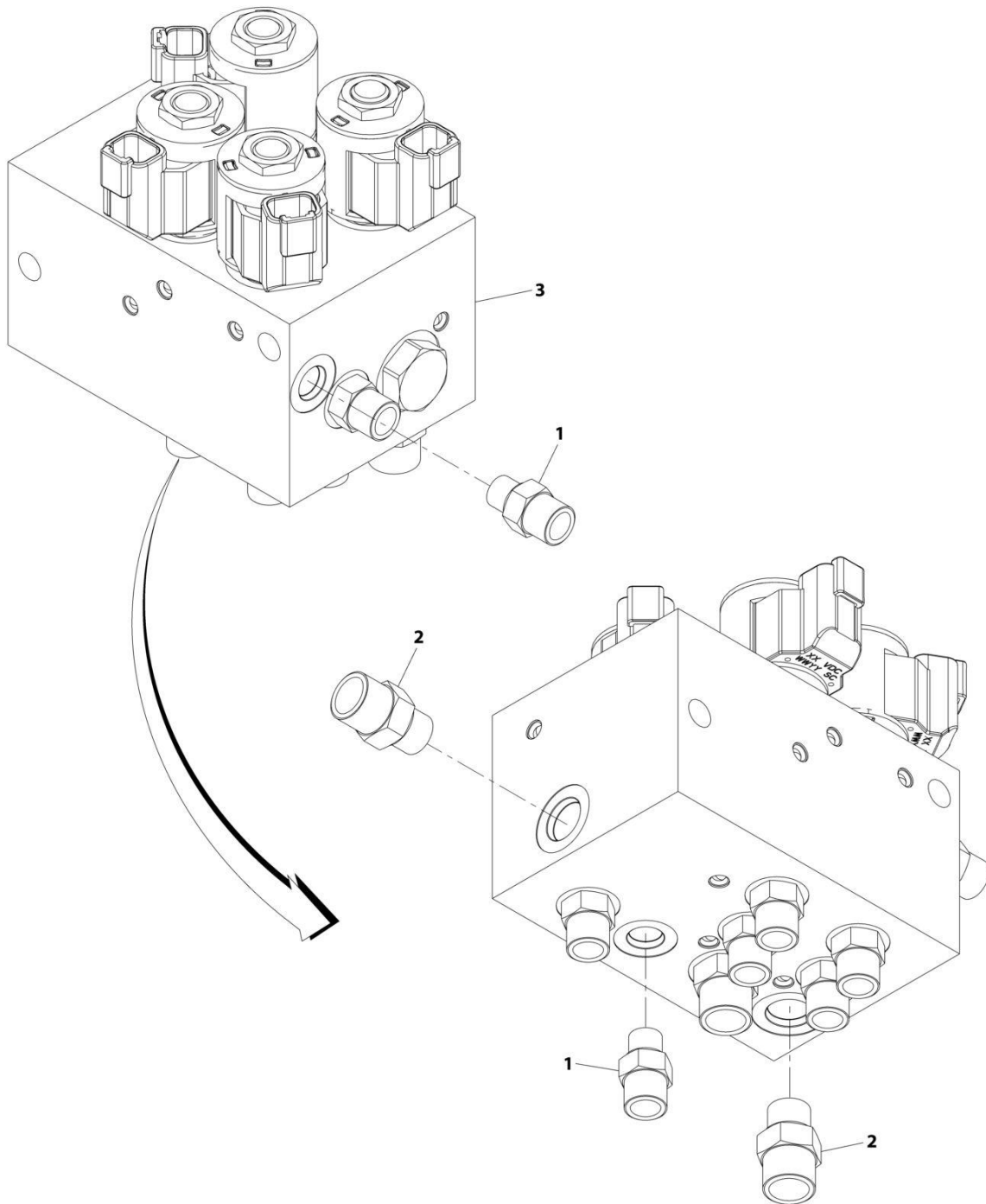
SECTION 8 - HYDRAULIC CIRCUITS

FIGURE 8-2. VALVE INSTALLATION (CE)

ITEM	PART NUMBER	QTY	DESCRIPTION	REV
	1001190694	Ref	Valve Installation (CE)	D
1	0100011	AR	Loctite 242	
2	0641634	2	Hex HD Capscrew, 3/8-16X4-1/4, GR5	
3	2111010	2	Adapter	
4	4711600	2	Washer, 3/8	
5	88662523	2	Tinnerman Nut	
6	1001131098	1	Assembly, Pilot Select Valve (CE) (See Separate Breakdown in this Section)	
7	1001190692	1	Installation, Hydraulic Valve (See Separate Breakdown in this Section)	

SECTION 8 - HYDRAULIC CIRCUITS

FIGURE 8-3. PILOT SELECT VALVE ASSEMBLY (ANSI)



ART_1001131099-A

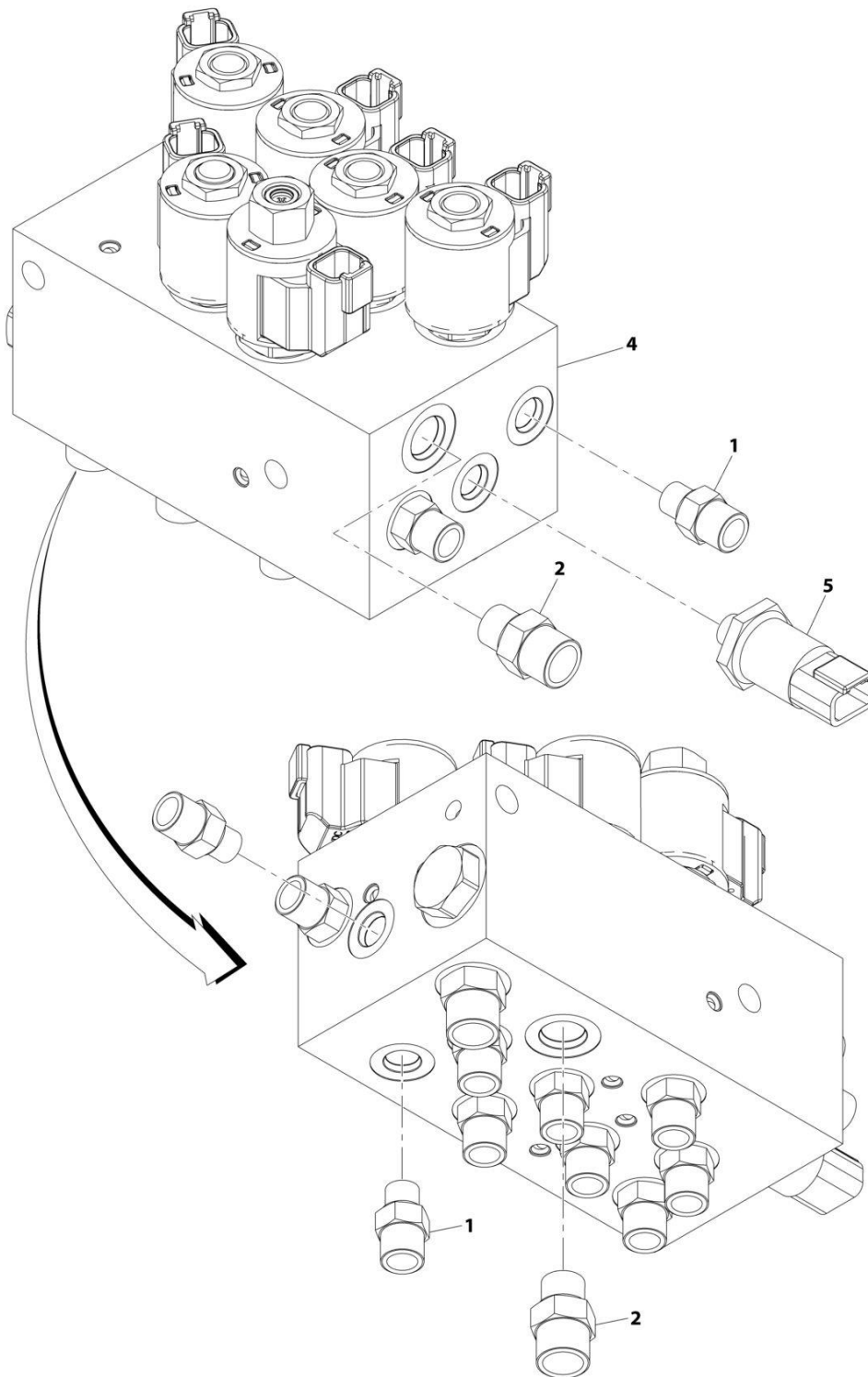
SECTION 8 - HYDRAULIC CIRCUITS

FIGURE 8-3. PILOT SELECT VALVE ASSEMBLY (ANSI)

ITEM	PART NUMBER	QTY	DESCRIPTION	REV
	1001131099	Ref	Pilot Select Valve Assembly (ANSI)	A
1	2110404	8	Adapter, Connector	
2	2110606	3	Adapter, Connector	
3	1001130178	1	Pilot Select Valve (ANSI) (See Separate Breakdown in this Section)	

SECTION 8 - HYDRAULIC CIRCUITS

FIGURE 8-4. PILOT SELECT VALVE ASSEMBLY (CE)



ART_1001131098-B

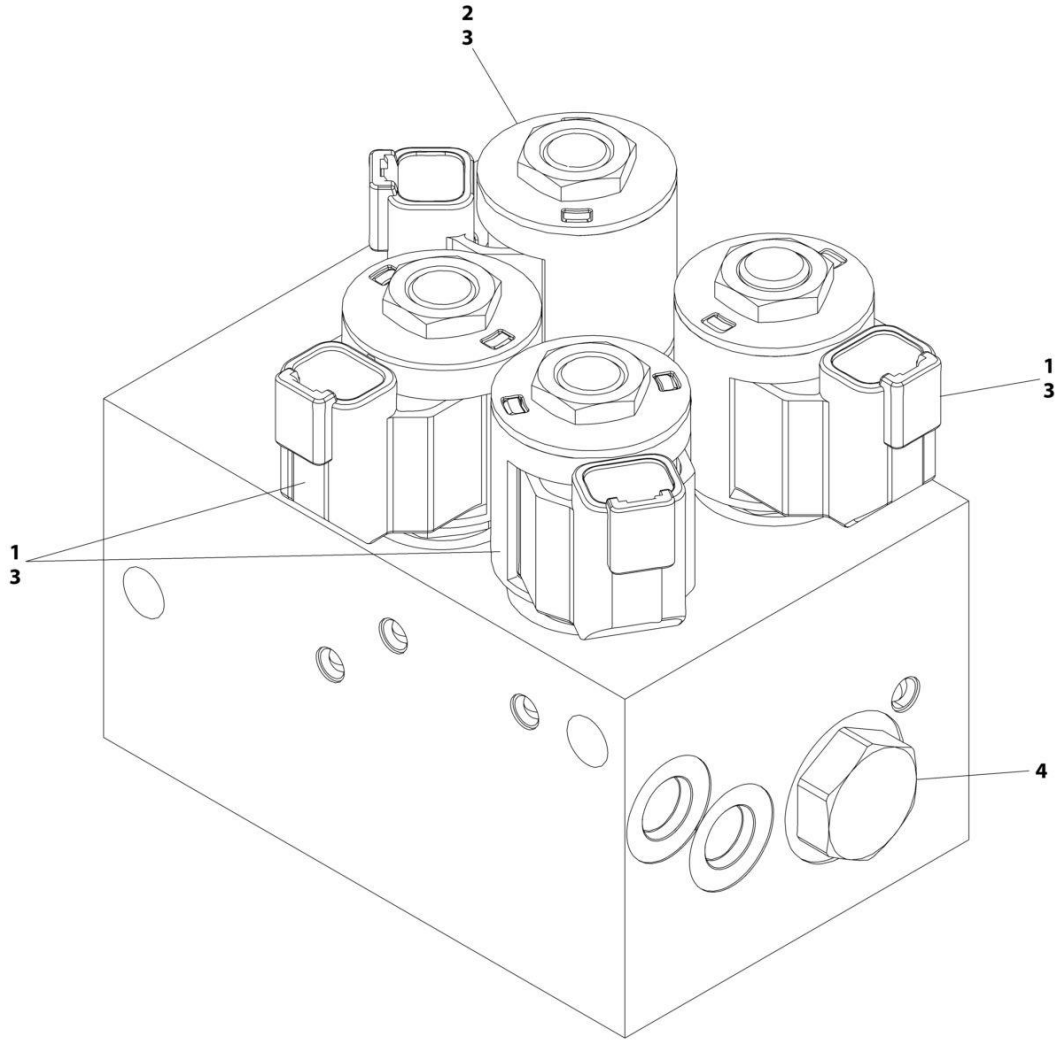
SECTION 8 - HYDRAULIC CIRCUITS

FIGURE 8-4. PILOT SELECT VALVE ASSEMBLY (CE)

ITEM	PART NUMBER	QTY	DESCRIPTION	REV
	1001131098	Ref	Pilot Select Valve Assembly (CE)	B
1	2110404	12	Straight Fitting	
2	2110606	3	Straight Fitting	
4	1001132342	1	Valve, Pilot Select (CE) (See Separate Breakdown in this Section)	
5	1001132795	1	Pressure Sensor	

SECTION 8 - HYDRAULIC CIRCUITS

FIGURE 8-5. PILOT SELECT VALVE (ANSI)



ART_1001130178-A

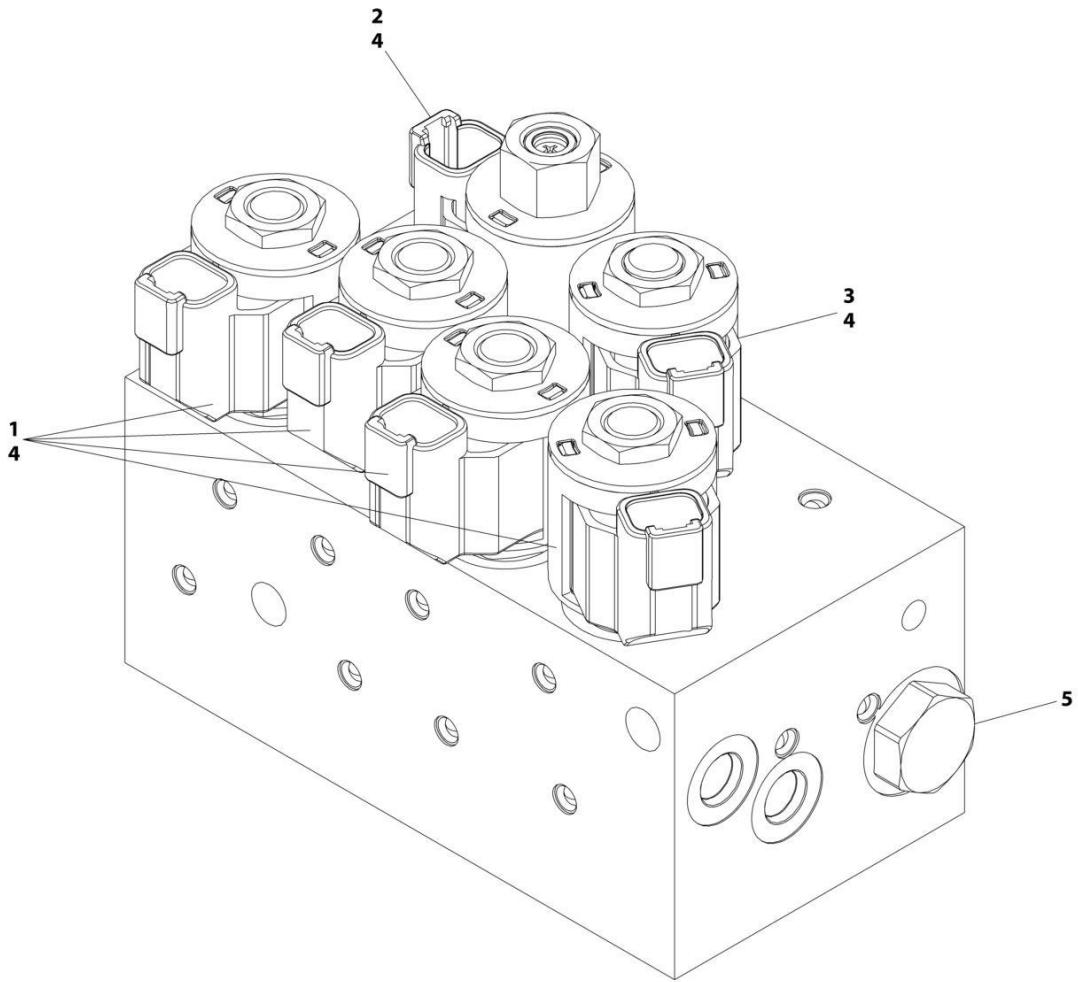
SECTION 8 - HYDRAULIC CIRCUITS

FIGURE 8-5. PILOT SELECT VALVE (ANSI)

ITEM	PART NUMBER	QTY	DESCRIPTION	REV
	1001130178	Ref	Pilot Select Valve (ANSI)	A
1	1101244	3	Directional Valve	
1	8033761	3	Seal Kit	
2	70023946	1	Directional Valve	
3	70002386	4	Coil	
4	10837580	1	Load Sense Check Valve	
4	7010543	1	Seal Kit	

SECTION 8 - HYDRAULIC CIRCUITS

FIGURE 8-6. PILOT SELECT VALVE (CE)



ART_1001132342-A

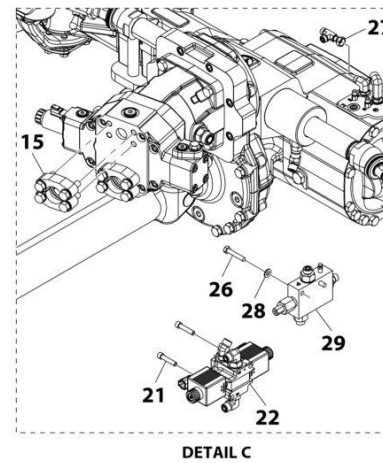
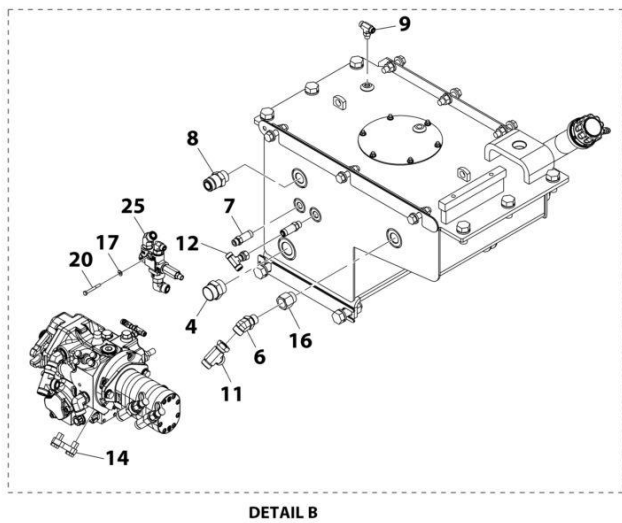
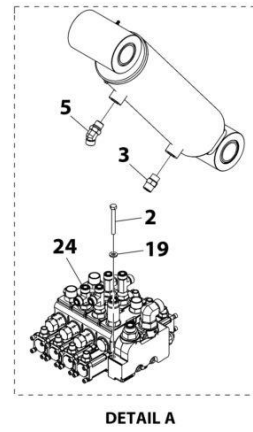
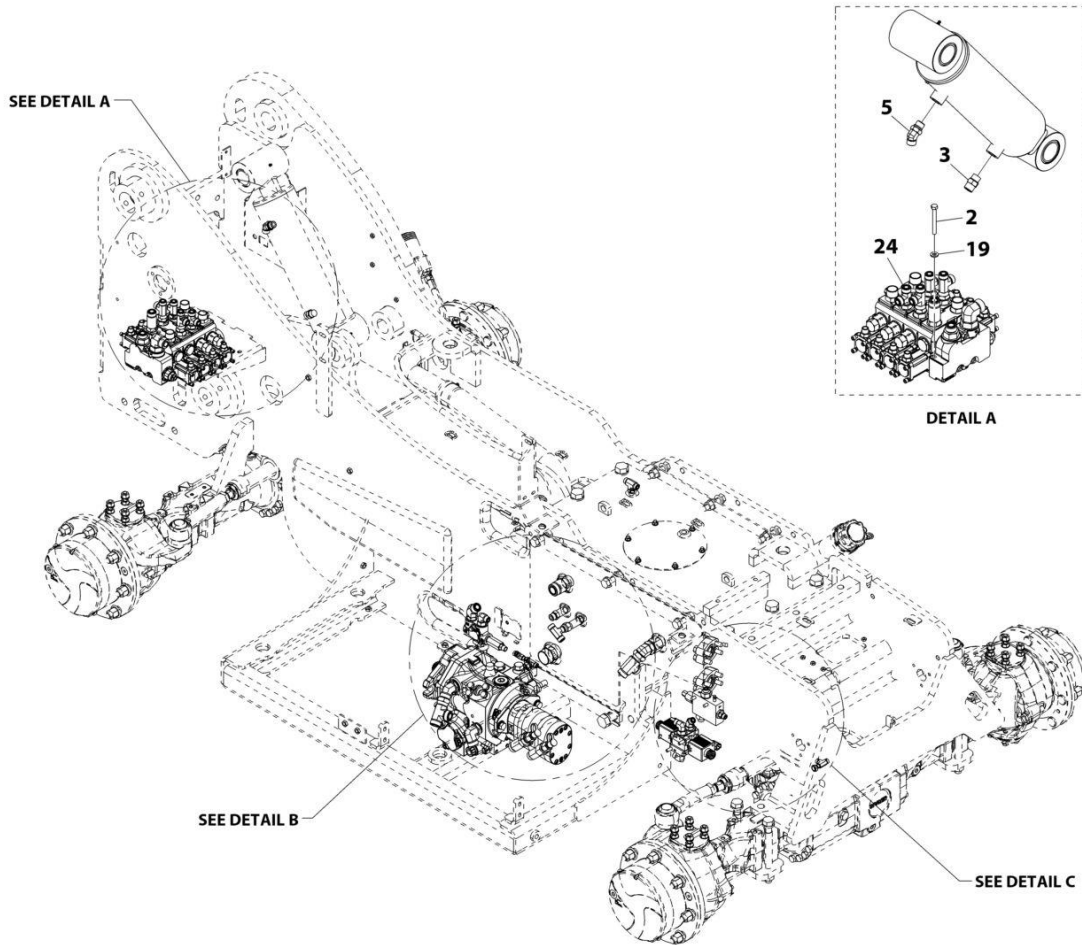
SECTION 8 - HYDRAULIC CIRCUITS

FIGURE 8-6. PILOT SELECT VALVE (CE)

ITEM	PART NUMBER	QTY	DESCRIPTION	REV
	1001132342	Ref	Pilot Select Valve (CE)	A
1	1101244	4	Directional Valve	
1	8033761	4	Seal Kit	
2	70023945	1	Proportional Valve	
3	70023946	1	Directional Valve	
4	70002386	6	Coil	
5	10837580	1	Load Sense Check Valve	
5	7010543	1	Seal Kit	
6	70002064	1	Orifice, 0.047 In	

SECTION 8 - HYDRAULIC CIRCUITS

FIGURE 8-7. HYDRAULIC VALVE INSTALLATION



ART_1001190692-D

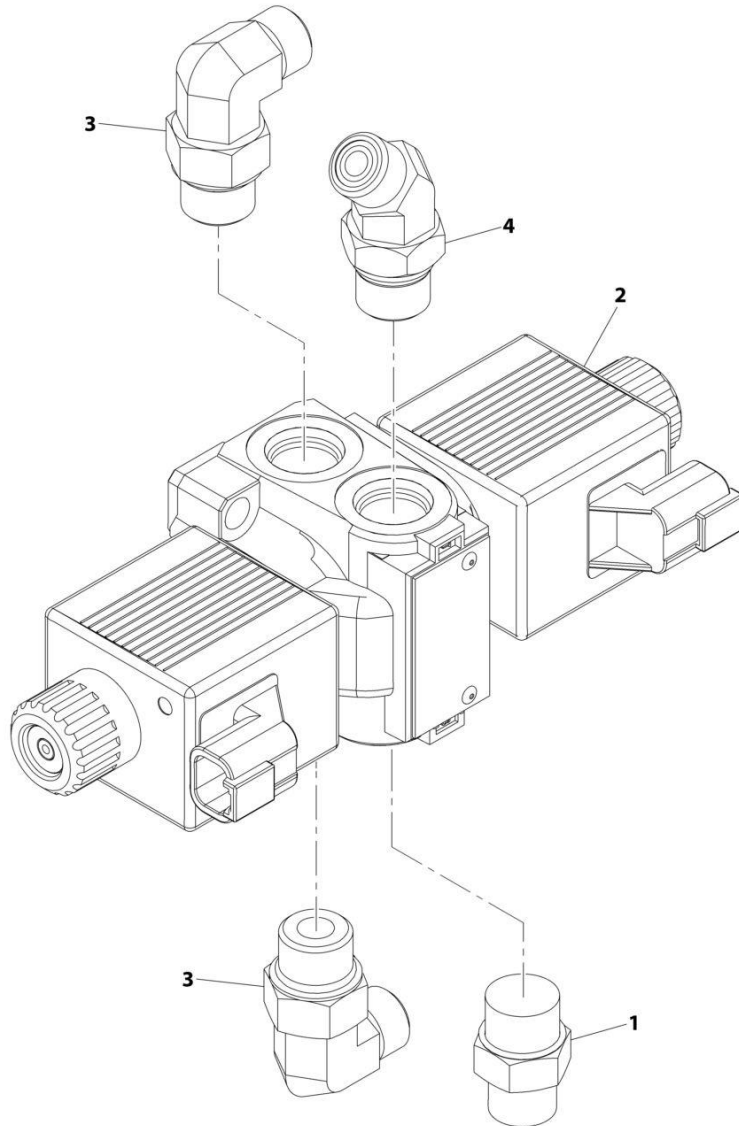
SECTION 8 - HYDRAULIC CIRCUITS

FIGURE 8-7. HYDRAULIC VALVE INSTALLATION

ITEM	PART NUMBER	QTY	DESCRIPTION	REV
	1001190692	Ref	Hydraulic Valve Installation	D
2	0641522	3	Hex HD Capscrew, 5/16-18X2-3/4, GR5	
3	2110808	1	Adapter	
4	2112020	1	Adapter	
5	2150808	1	Adapter	
6	2151212	1	Adapter, 45	
7	2170108	2	Adapter, Connector	
8	1001208854	1	Adapter, Connector	
9	2170406	1	Adapter, Run Tee	
11	2170712	1	Adapter, Run Tee	
12	2170808	1	Adapter, Branch Tee	
14	2171712	2	Flange Kit	
15	2171716	2	Flange Kit	
16	2220550	1	Adapter, Connector	
17	4711400	1	Washer, 1/4	
19	4891500	3	Washer, 5/16	
20	8303114	1	Hex HD Capscrew, 0.250-20X2.250, GR5	
21	88212229	2	Socket Hd Capscrew, 5/16-18X1-1/2	
22	1001080243	1	Assembly, Steering Select Valve (See Separate Breakdown in this Section)	
24	1001132338	1	Assembly, Main Control Valve (See Separate Breakdown in this Section)	
25	1001142155	1	Assembly, Priority Valve (See Separate Breakdown in this Section)	
26	0641514	2	Hex HD Capscrew, 5/16-18X1-3/4, GR5	
27	2170704	1	Swivel Tee	
28	4711500	2	Washer, 5/16	
29	1001080399	1	Assembly, Brake Valve (See Separate Breakdown in this Section)	

SECTION 8 - HYDRAULIC CIRCUITS

FIGURE 8-8. STEERING SELECT VALVE ASSEMBLY



ART_1001080243-F

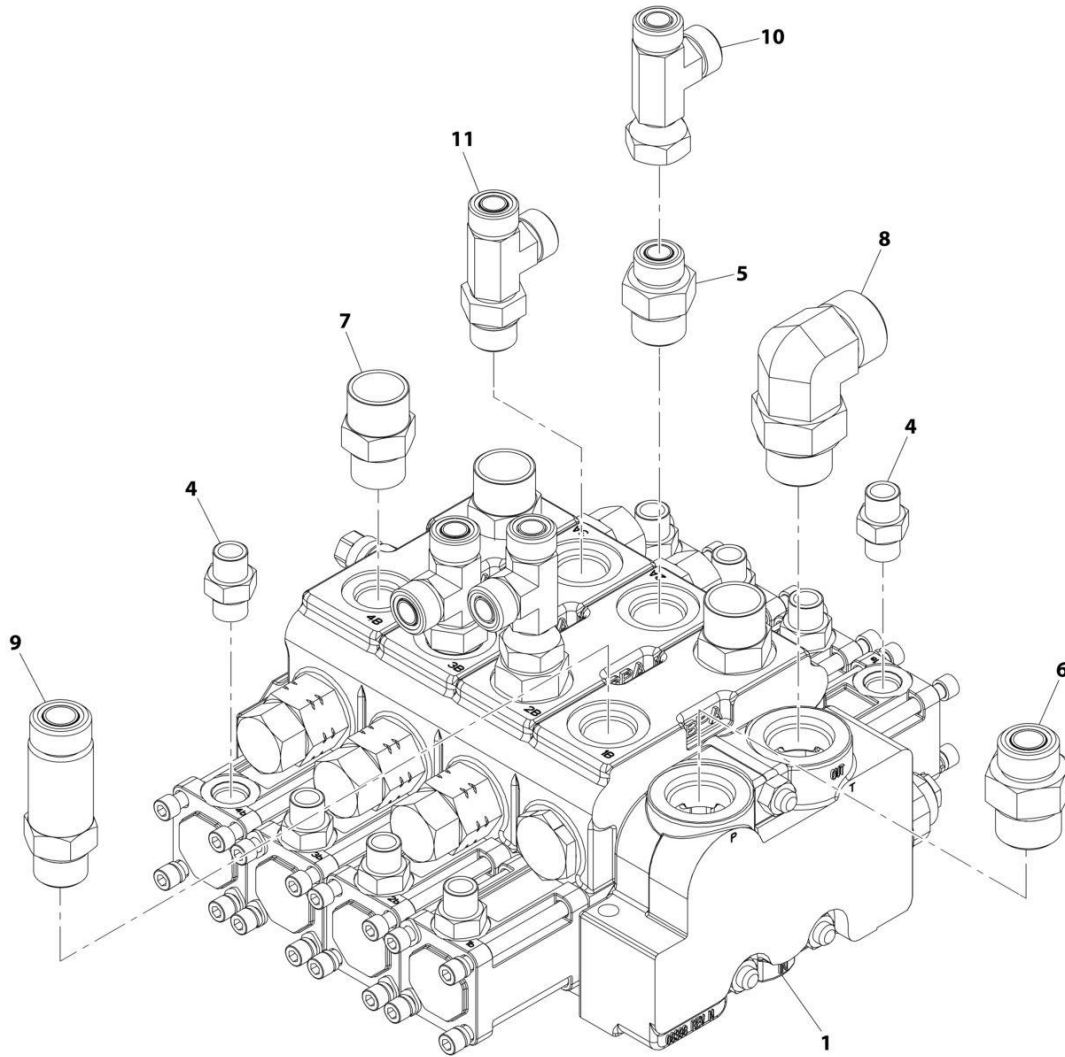
SECTION 8 - HYDRAULIC CIRCUITS

FIGURE 8-8. STEERING SELECT VALVE ASSEMBLY

ITEM	PART NUMBER	QTY	DESCRIPTION	REV
	1001080243	Ref	Steering Select Valve Assembly	F
1	2110608	1	Adapter	
2	1001153748	1	Steering Select Valve (See Separate Breakdown in Hydraulic Component Section)	
3	2130608	2	Adapter, 90	
4	2150608	1	Adapter, 45	

SECTION 8 - HYDRAULIC CIRCUITS

FIGURE 8-9. MAIN CONTROL VALVE ASSEMBLY



ART_1001132338-D

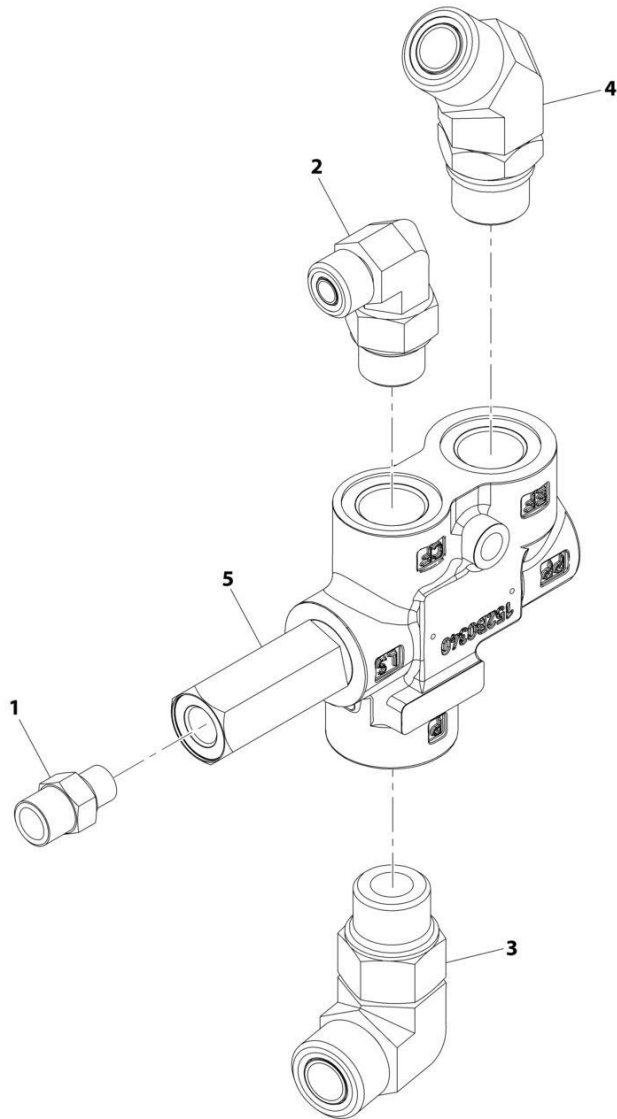
SECTION 8 - HYDRAULIC CIRCUITS

FIGURE 8-9. MAIN CONTROL VALVE ASSEMBLY

ITEM	PART NUMBER	QTY	DESCRIPTION	REV
	1001132338	Ref	Main Control Valve Assembly	D
1	1001080176	1	Valve, Main Control (W/Aux) (See Separate Breakdown in Hydraulic Component Section)	
4	2110406	8	Straight Fitting	
5	2110810	2	Adapter	
6	2111012	1	Adapter, Connector	
7	2111010	3	Adapter	
8	2131212	1	Adapter, 90	
9	2170110	1	Straight Fitting	
10	2170708	2	Swivel Tee	
11	2170308	2	Tee Fitting	

SECTION 8 - HYDRAULIC CIRCUITS

FIGURE 8-10. PRIORITY VALVE ASSEMBLY



ART_1001142155-A

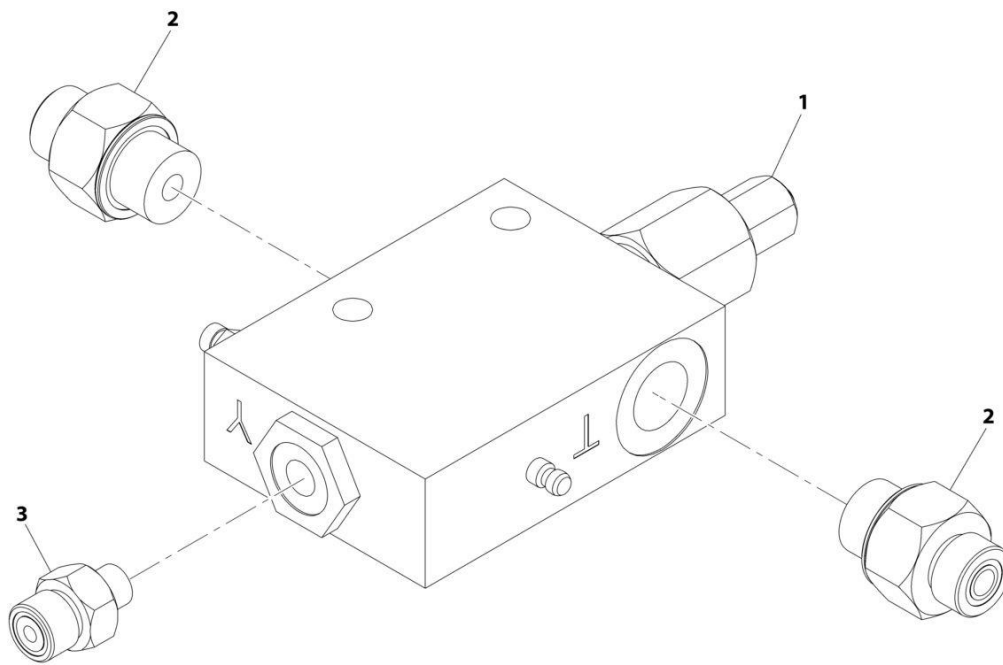
SECTION 8 - HYDRAULIC CIRCUITS

FIGURE 8-10. PRIORITY VALVE ASSEMBLY

ITEM	PART NUMBER	QTY	DESCRIPTION	REV
	1001142155	Ref	Priority Valve Assembly	A
1	2110404	1	Adapter, Connector	
2	2130608	1	Adapter, 90	
3	2131010	1	Adapter, 90	
4	2151010	1	Adapter, 45	
5	1001080143	1	Priority Valve	

SECTION 8 - HYDRAULIC CIRCUITS

FIGURE 8-11. BRAKE VALVE ASSEMBLY



ART_1001080399-D

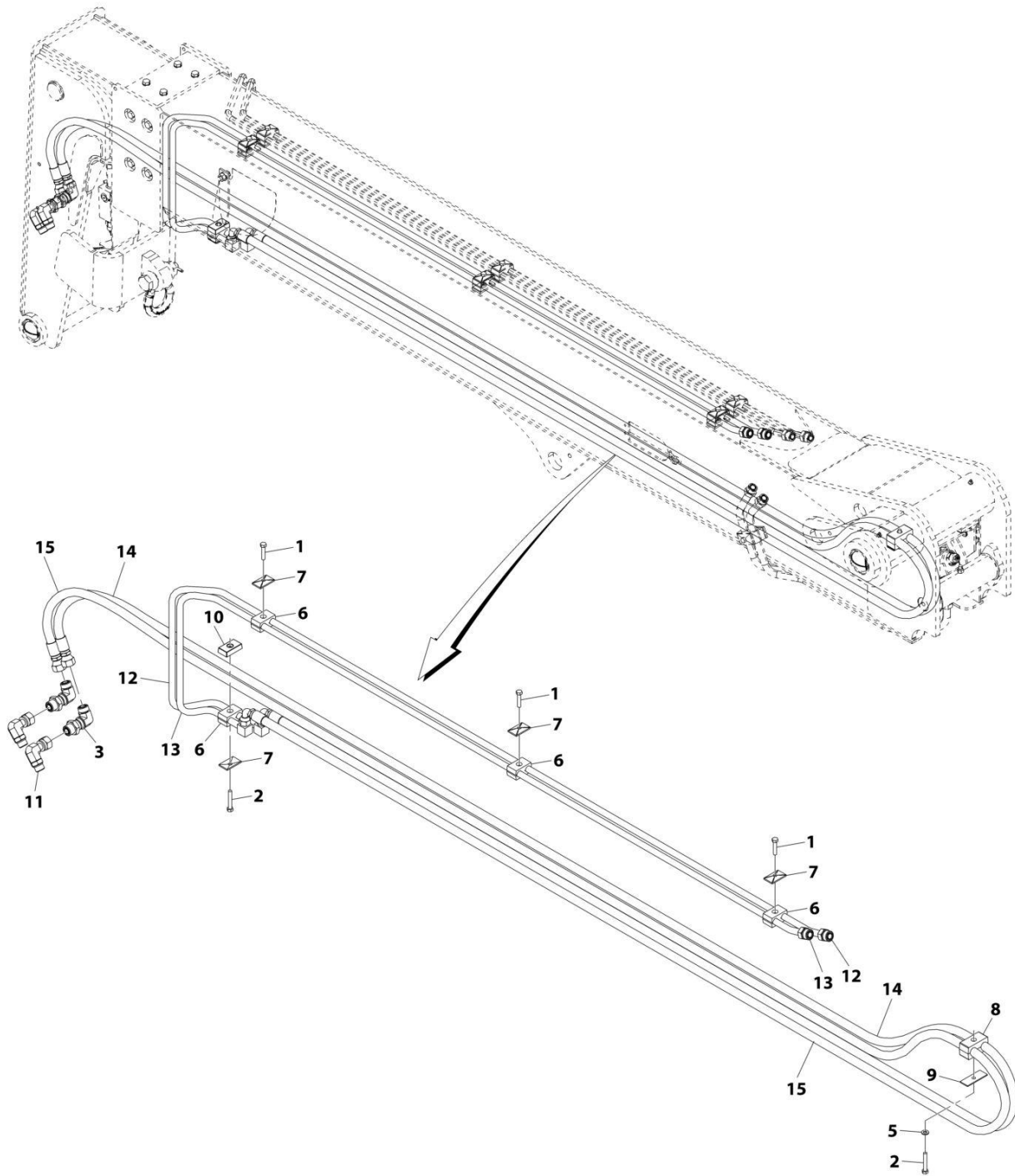
SECTION 8 - HYDRAULIC CIRCUITS

FIGURE 8-11. BRAKE VALVE ASSEMBLY

ITEM	PART NUMBER	QTY	DESCRIPTION	REV
	1001080399	Ref	Brake Valve Assembly	D
1	4641474	1	Brake Valve	
2	1001081333	2	Fitting	
3	1001081334	1	Fitting	

SECTION 8 - HYDRAULIC CIRCUITS

FIGURE 8-12. BOOM HYDRAULIC INSTALLATION



ART_1001237192-B

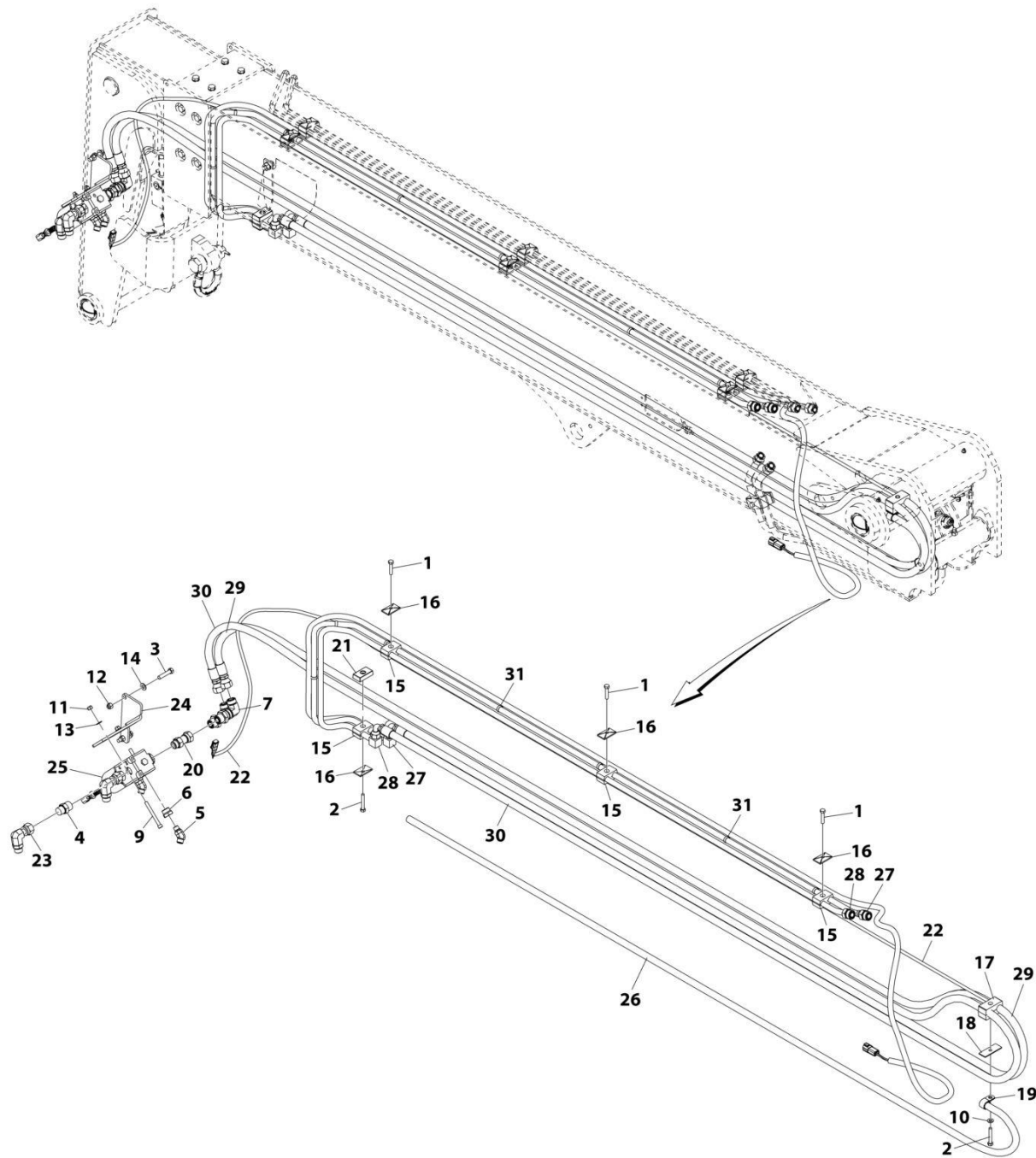
SECTION 8 - HYDRAULIC CIRCUITS

FIGURE 8-12. BOOM HYDRAULIC INSTALLATION

ITEM	PART NUMBER	QTY	DESCRIPTION	REV
	1001237192	Ref	Boom Hydraulic Installation	B
1	0641512	3	Hex HD Capscrew, 5/16-18X1-1/2, GR5	
2	0641516	2	Hex HD Capscrew, 5/16-18X2, GR5	
3	2221290	2	Elbow, 90	
5	4711500	1	Washer, 5/16	
6	8769122	4	Twin Clamp Set	
7	8769123	4	Twin Cover Plate	
8	77133136	1	Clamp	
9	77133137	1	Cover Plate	
10	1001080394	1	Twin Spacer	
11	1001090103	2	Fitting	
12	1001080207	1	Tube Assembly	
13	1001080208	1	Tube Assembly	
14	1001236782	1	Hose	
15	1001236783	1	Hose	

SECTION 8 - HYDRAULIC CIRCUITS

FIGURE 8-13. BOOM HYDRAULIC INSTALLATION, W/QS



ART_1001237214-B

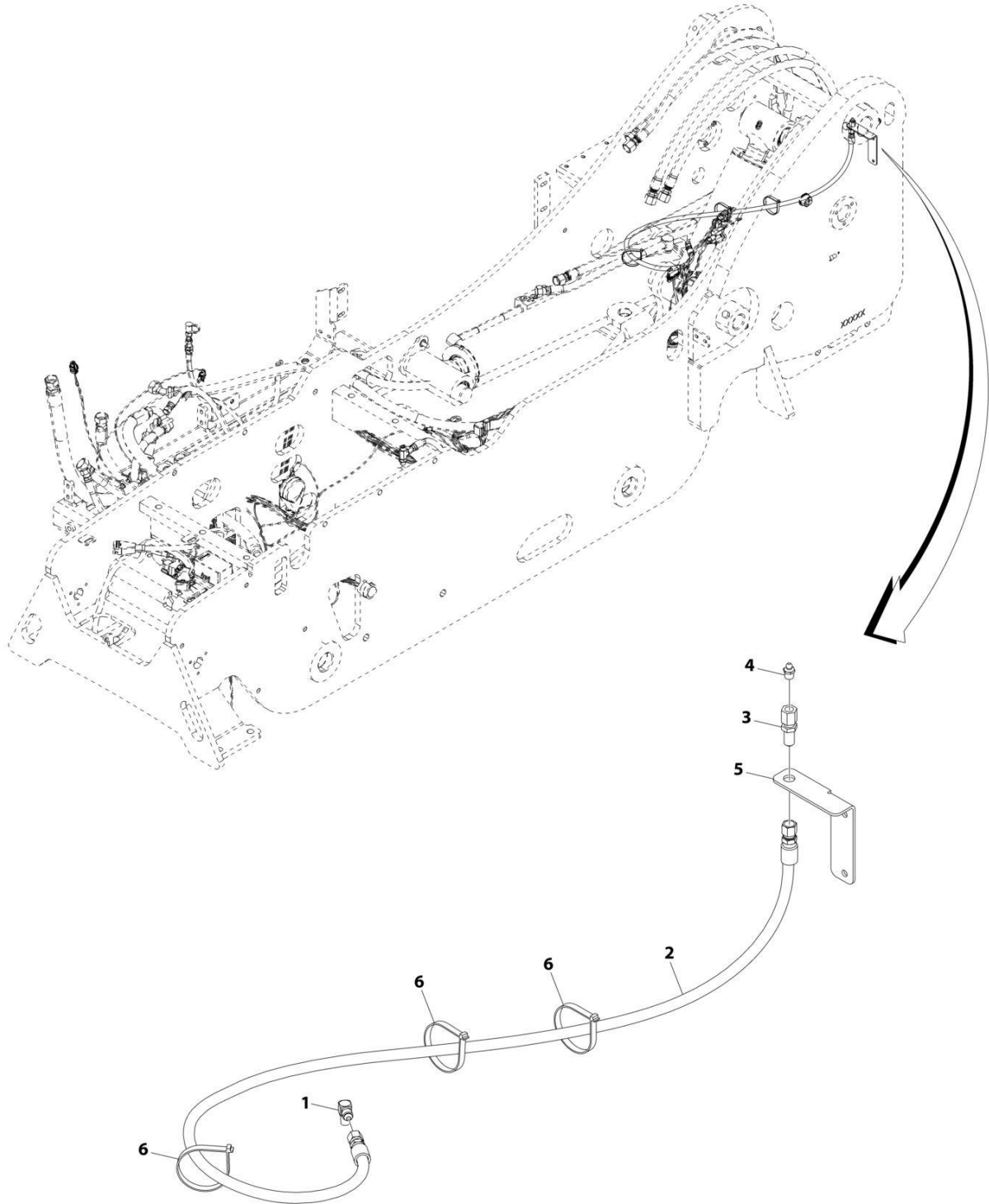
SECTION 8 - HYDRAULIC CIRCUITS

FIGURE 8-13. BOOM HYDRAULIC INSTALLATION, W/QS

ITEM	PART NUMBER	QTY	DESCRIPTION	REV
	1001237214	Ref	Boom Hydraulic Installation, W/QS	B
1	0641512	3	Hex HD Capscrew, 5/16-18X1-1/2, GR5	
2	0641516	2	Hex HD Capscrew, 5/16-18X2, GR5	
3	0641614	2	Hex HD Capscrew, 3/8-16X1-3/4, GR5	
4	2111010	2	Adapter	
5	2150606	2	Elbow, 45	
6	2220218	2	Adapter	
7	2221290	2	Elbow, 90	
9	3931548	2	Socket HD Capscrew, 5/16-18X3	
10	4711500	1	Washer, 5/16	
11	8305626	2	Hex Locknut, 5/16	
12	8305645	2	Hex Locknut, 3/8-16	
13	8307106	2	Plain Washer, 5/16	
14	8307110	2	Washer, 3/8	
15	8769122	4	Clamp Set	
16	8769123	4	Cover Plate	
17	77133136	1	Clamp Set	
18	77133137	1	Cover Plate	
19	91043147	1	Clamp	
20	1001001556	2	Adapter	
21	1001080394	1	Twin Line Clamp Spacer	
22	1001080397	1	Boom Aux Harness (See Separate Breakdown in Electrical Section)	
23	1001090103	2	Fitting	
24	1001100916	1	Bracket	
25	1001104477	1	Valve Divertor (See Separate Breakdown in this Section)	
26	1001232722	1	Hose	
27	1001080207	1	Tube Assembly	
28	1001080208	1	Tube Assembly	
29	1001236782	1	Hose	
30	1001236783	1	Hose	
31	90027187	AR	Cable Tie Strap	

SECTION 8 - HYDRAULIC CIRCUITS

FIGURE 8-14. REMOTE GREASE INSTALLATION



ART_1001236788-B

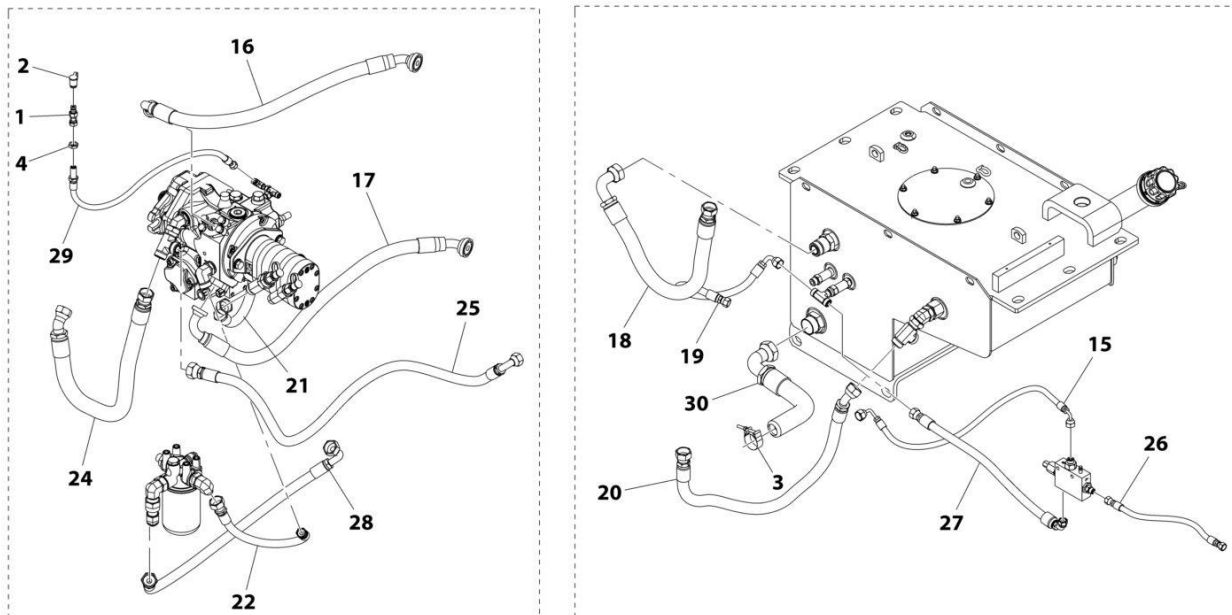
SECTION 8 - HYDRAULIC CIRCUITS

FIGURE 8-14. REMOTE GREASE INSTALLATION

ITEM	PART NUMBER	QTY	DESCRIPTION	REV
	1001236788	Ref	Remote Grease Installation	B
1	2220612	1	Elbow, 90	
2	1001081413	1	Hose Assembly	
3	80623016	1	Adapter	
4	8520001	1	Fitting	
5	1001236787	1	Bracket	
6	8584003	3	Cable Tie	

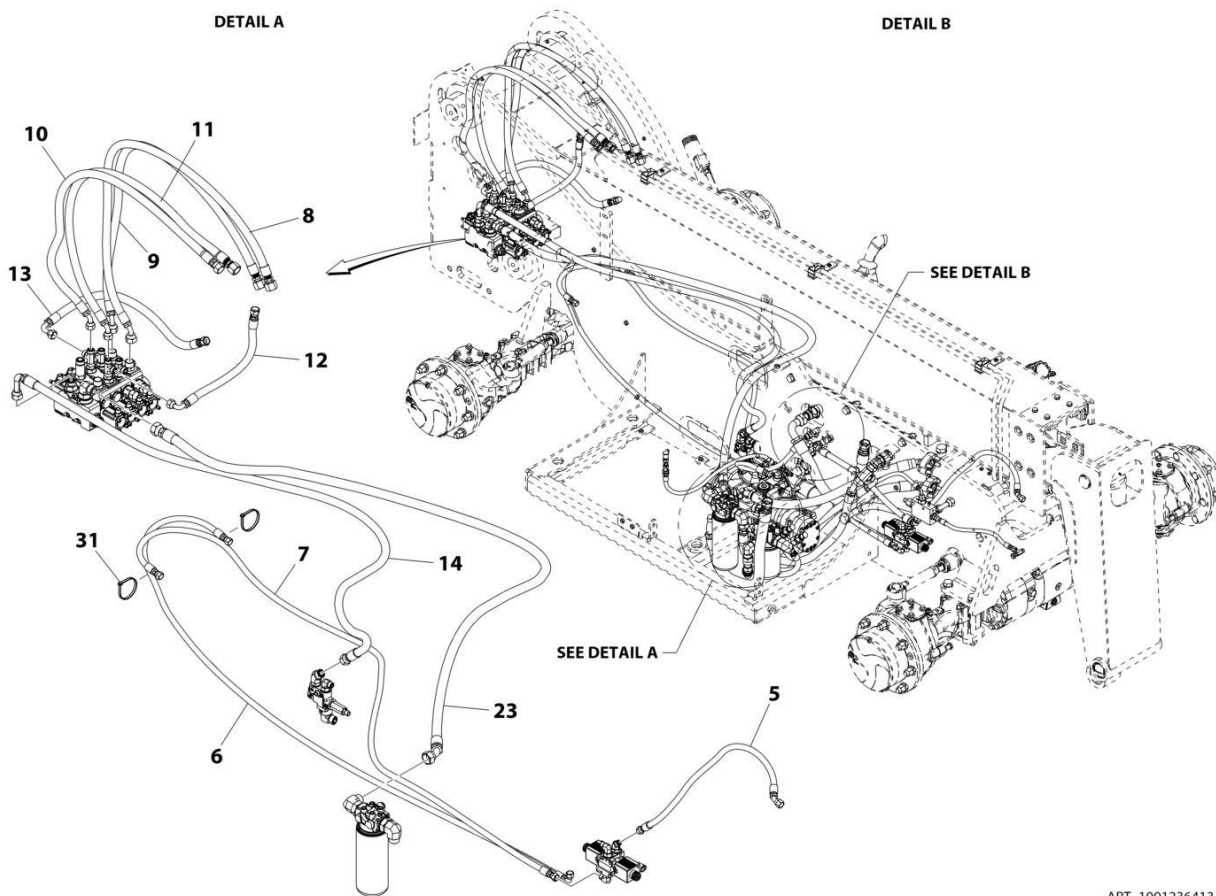
SECTION 8 - HYDRAULIC CIRCUITS

FIGURE 8-15. FRAME HYDRAULIC HOSE INSTALLATION



DETAIL A

DETAIL B



ART_1001236413-B

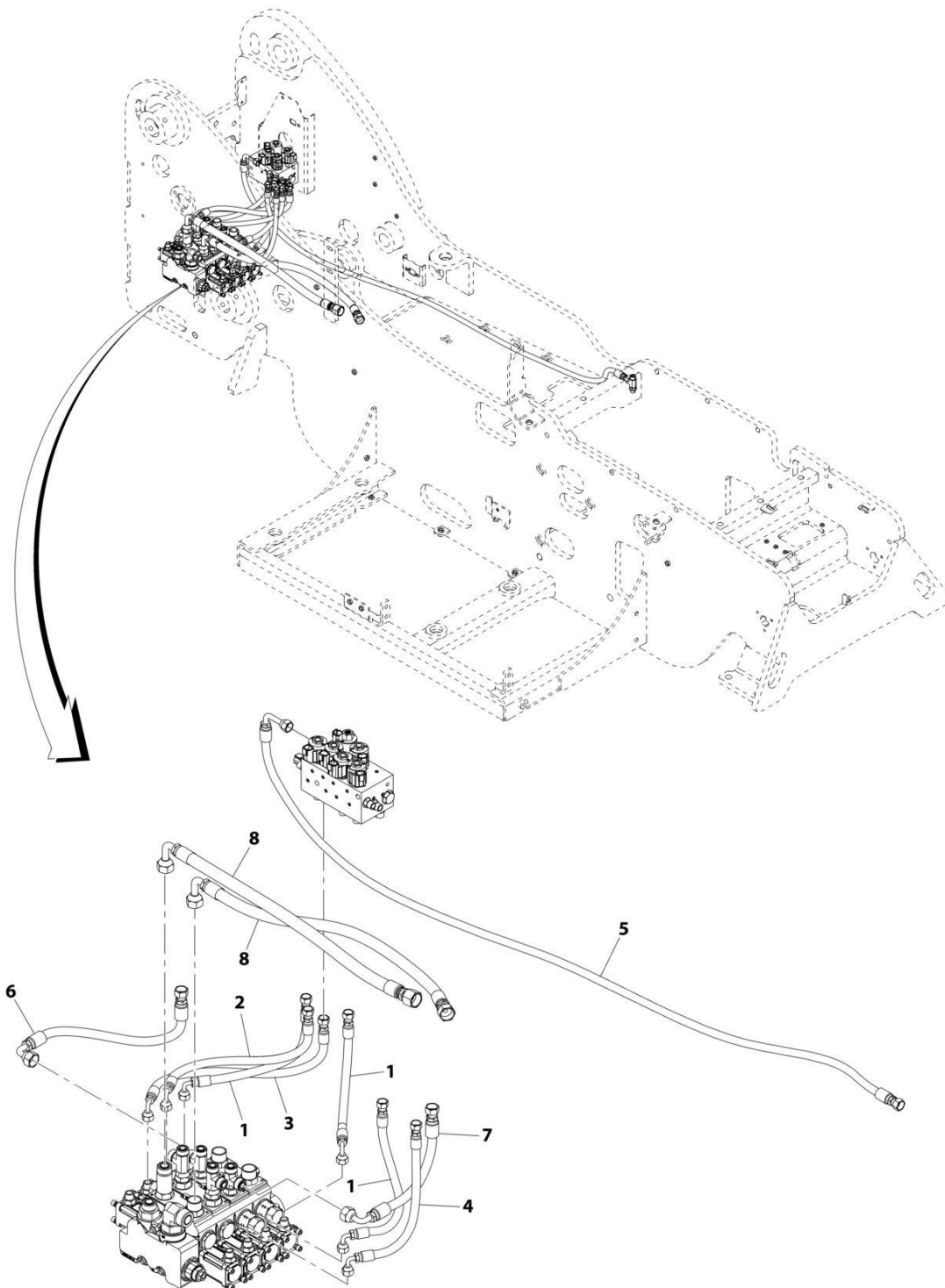
SECTION 8 - HYDRAULIC CIRCUITS

FIGURE 8-15. FRAME HYDRAULIC HOSE INSTALLATION

ITEM	PART NUMBER	QTY	DESCRIPTION	REV
	1001236413	Ref	Frame Hydraulic Hose Installation	B
1	2221229	1	Adapter, Diagnostic Nipple	
2	8430032	1	Dust Cap	
3	80633030	1	Clamp	
4	88662482	1	Locknut	
5	1001236418	1	Hose Assembly	
6	1001236419	1	Hose Assembly	
7	1001236420	1	Hose Assembly	
8	1001080293	1	Hose Assembly	
9	1001080309	1	Hose Assembly	
10	1001080437	1 in	Hose Assembly	
11	1001080438	1 in	Hose Assembly	
12	1001081347	1	Hose Assembly	
13	1001081348	1	Hose Assembly	
14	1001144697	1	Hose Assembly	
15	1001144763	1	Hose Assembly	
16	1001144749	1	Hose Assembly	
17	1001144750	1	Hose Assembly	
18	1001144751	1	Hose Assembly	
19	1001144753	1	Hose Assembly	
20	1001144754	1	Hose Assembly	
21	1001144755	1	Hose Assembly	
22	1001144757	1	Hose Assembly	
23	1001144759	1	Hose Assembly	
24	1001144760	1	Hose Assembly	
25	1001144761	1	Hose Assembly	
26	1001144764	1	Hose Assembly	
27	1001144737	1	Hose Assembly	
28	1001151288	1	Hose Assembly	
29	1001152967	1	Hose Assembly	
30	1001202141	1	Hose Assembly	
31	4240099	2	Strap, Tie	

SECTION 8 - HYDRAULIC CIRCUITS

FIGURE 8-16. HYDRAULIC HOSE INSTALLATION (ANSI)



ART_1001200567-B

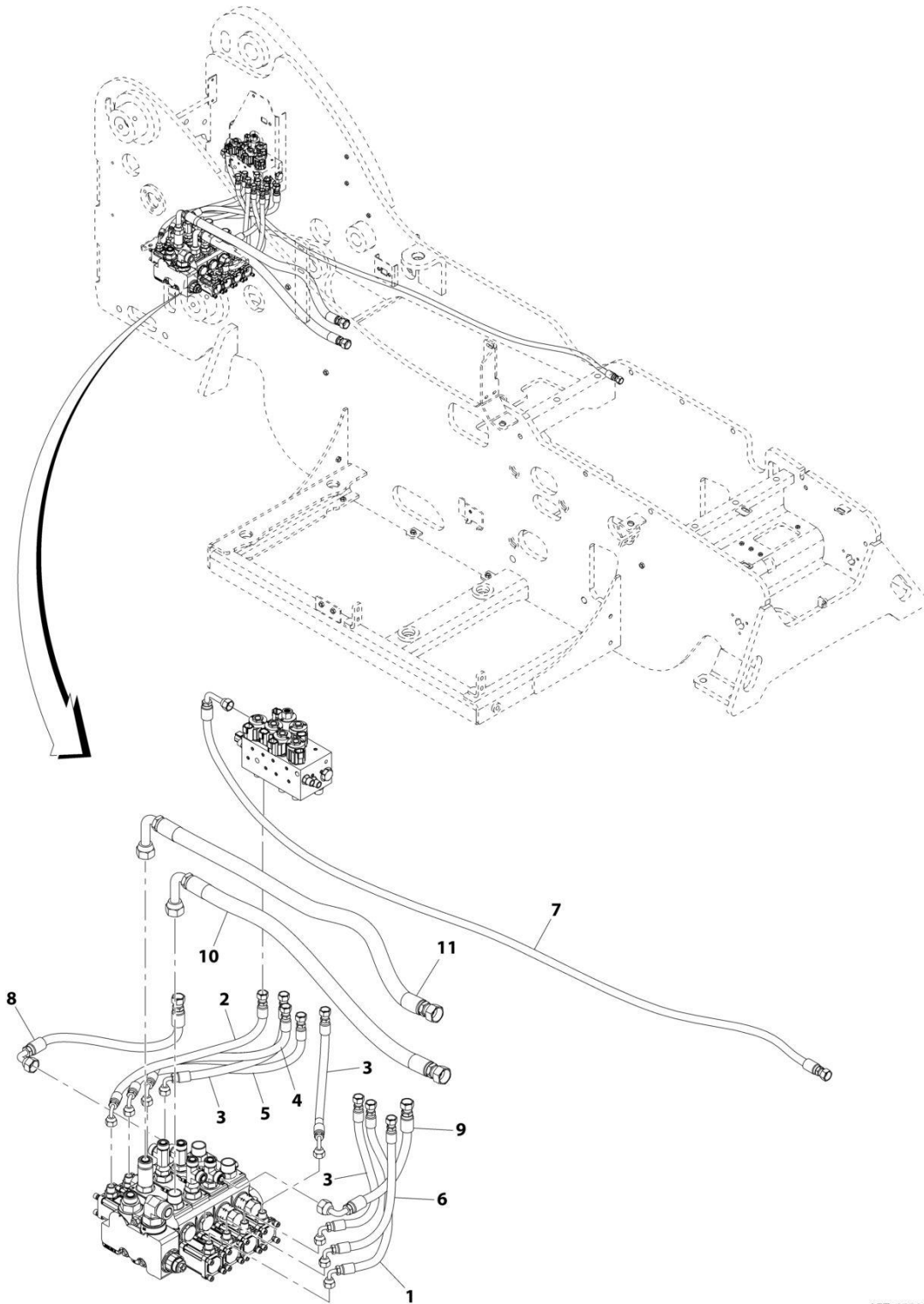
SECTION 8 - HYDRAULIC CIRCUITS

FIGURE 8-16. HYDRAULIC HOSE INSTALLATION (ANSI)

ITEM	PART NUMBER	QTY	DESCRIPTION	REV
	1001200567	Ref	Hydraulic Hose Installation (ANSI)	B
1	1001129889	3	Hose Assembly	
2	1001129891	1	Hose Assembly	
3	1001129893	1	Hose Assembly	
4	1001129894	1	Hose Assembly	
5	1001209089	1	Hose Assembly	
6	1001129925	1	Hose Assembly	
7	1001129926	1	Hose Assembly	
8	1001080279	2	Hose Assembly	

SECTION 8 - HYDRAULIC CIRCUITS

FIGURE 8-17. HYDRAULIC HOSE INSTALLATION (CE)



ART_1001201117-B

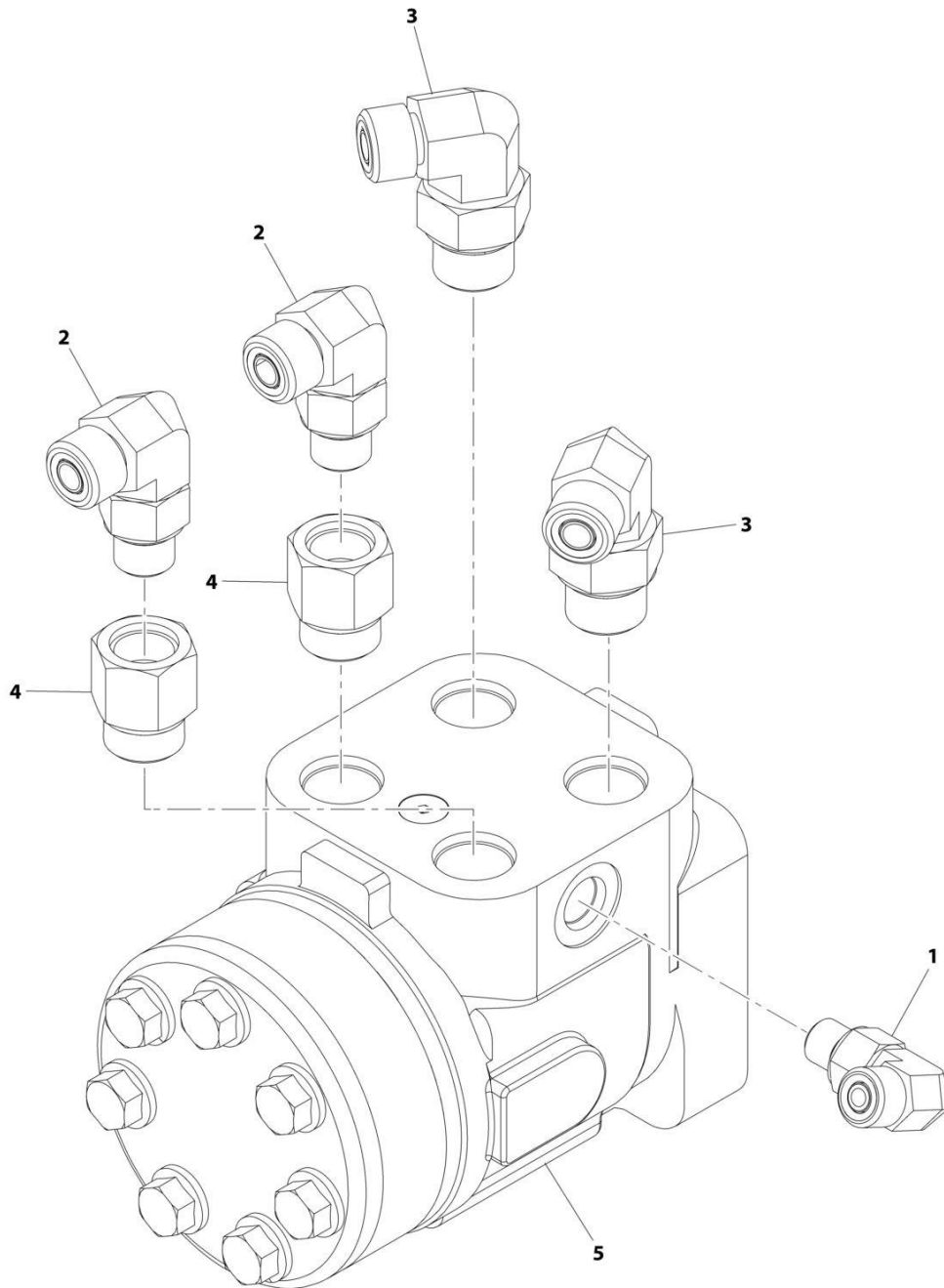
SECTION 8 - HYDRAULIC CIRCUITS

FIGURE 8-17. HYDRAULIC HOSE INSTALLATION (CE)

ITEM	PART NUMBER	QTY	DESCRIPTION	REV
	1001201117	Ref	Hydraulic Hose Installation (CE)	B
1	1001129887	1	Hose Assembly	
2	1001129888	1	Hose Assembly	
3	1001129889	3	Hose Assembly	
4	1001129891	1	Hose Assembly	
5	1001129893	1	Hose Assembly	
6	1001129894	1	Hose Assembly	
7	1001209089	1	Hose Assembly	
8	1001129925	1	Hose Assembly	
9	1001129926	1	Hose Assembly	
10	1001132411	1	Hose Assembly	
11	1001132412	1	Hose Assembly	

SECTION 8 - HYDRAULIC CIRCUITS

FIGURE 8-18. STEERING VALVE ASSEMBLY



ART_1001202006-A

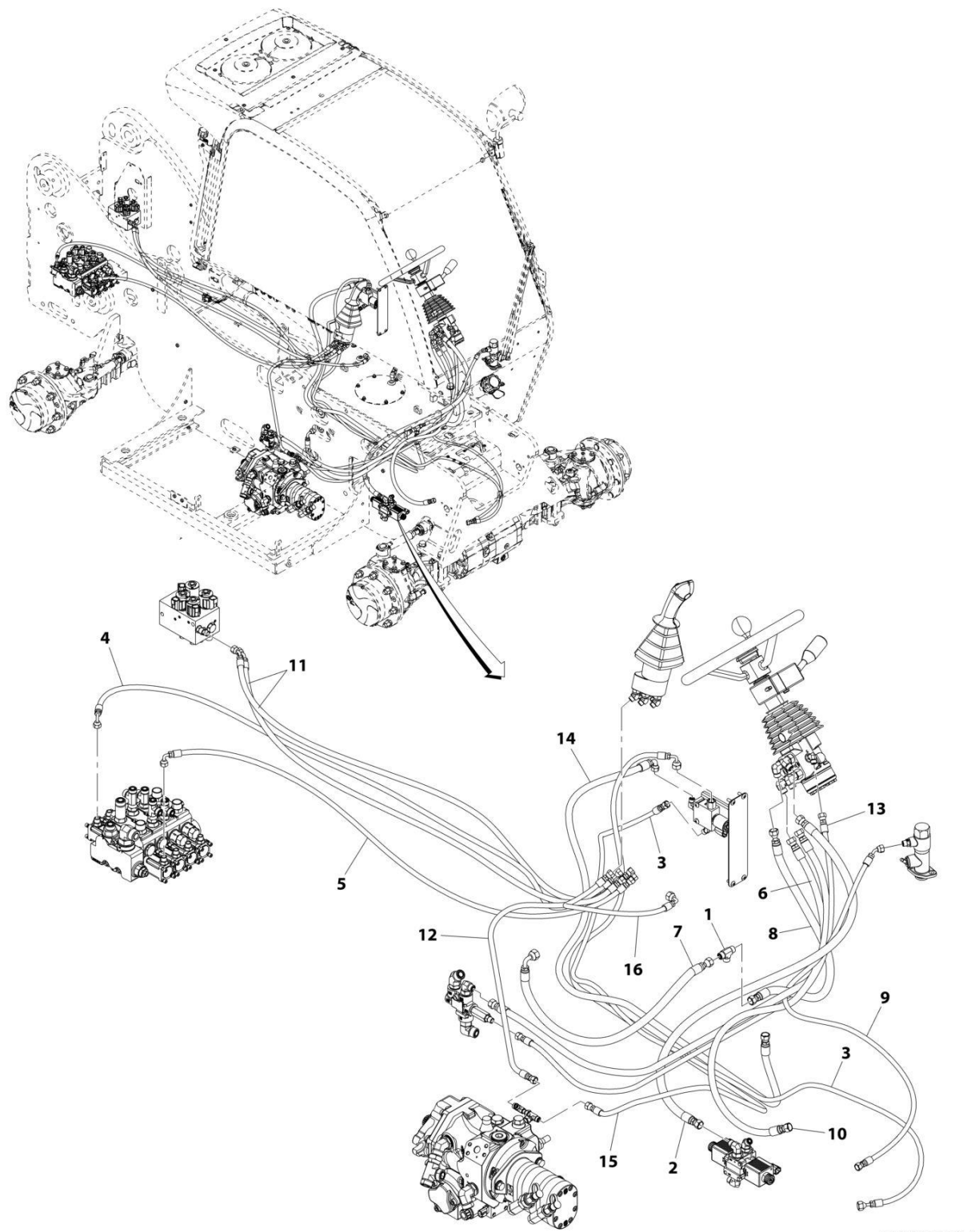
SECTION 8 - HYDRAULIC CIRCUITS

FIGURE 8-18. STEERING VALVE ASSEMBLY

ITEM	PART NUMBER	QTY	DESCRIPTION	REV
	1001202006	Ref	Steering Valve Assembly	A
1	2130404	1	Adapter, 90	
2	2130606	2	Adapter, 90	
3	2130608	2	Adapter, 90	
4	2220591	2	Adapter, Connector	
5	1001194017	1	Orbital Steering Valve	

SECTION 8 - HYDRAULIC CIRCUITS

FIGURE 8-19. CAB HYDRAULICS INSTALLATION, (ANSI)



ART_1001235716-A

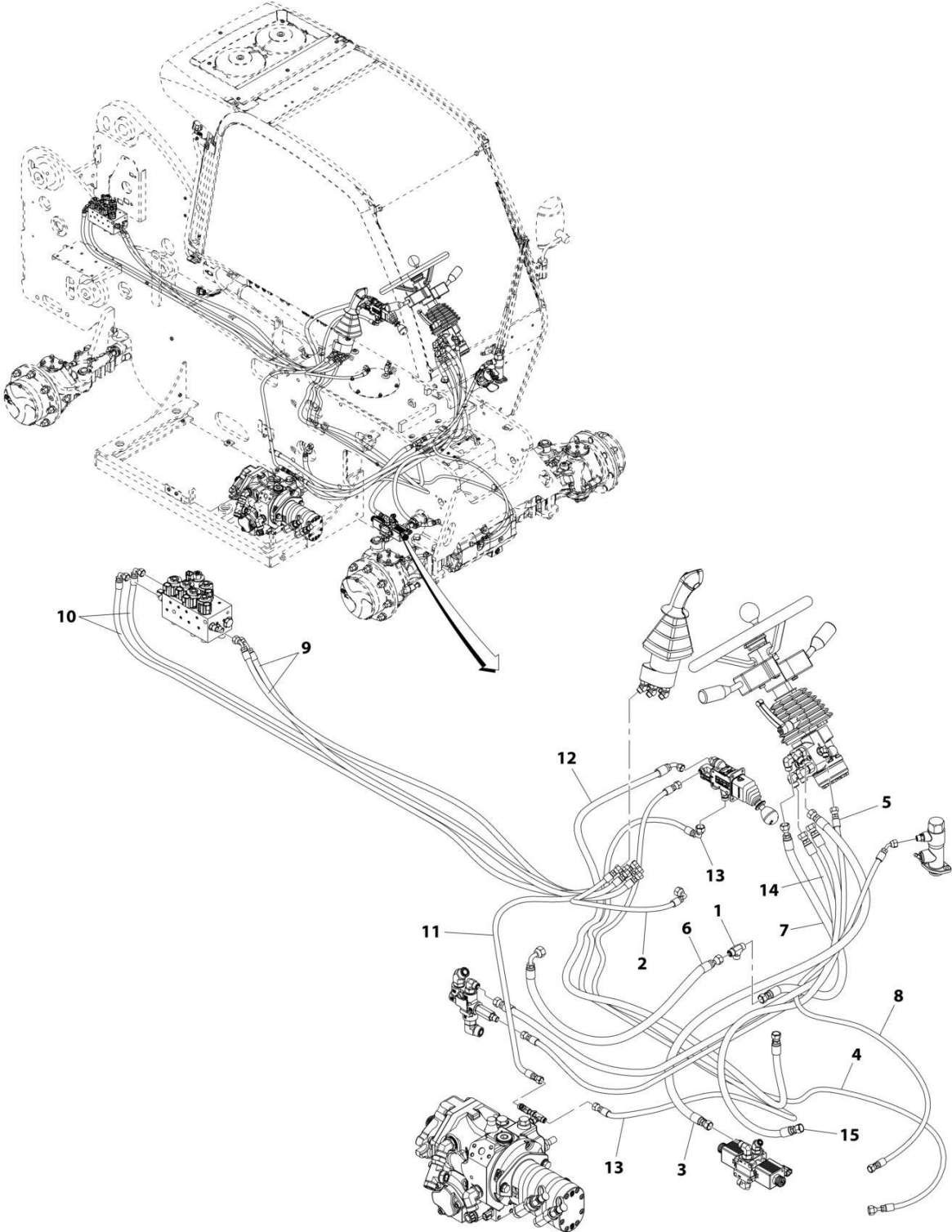
SECTION 8 - HYDRAULIC CIRCUITS

FIGURE 8-19. CAB HYDRAULICS INSTALLATION, (ANSI)

ITEM	PART NUMBER	QTY	DESCRIPTION	REV
	1001235716	Ref	Cab Hydraulics Installation, (ANSI)	A
1	2170506	1	Adapter, Run Tee	
2	1001080250	1	Hose Assembly	
3	1001080251	1	Hose Assembly	
4	1001080265	1	Hose Assembly	
5	1001080266	1	Hose Assembly	
6	1001209063	1	Hose Assembly	
7	1001080585	1	Hose Assembly	
8	1001080586	1	Hose Assembly	
9	1001106622	1	Hose Assembly	
10	1001236417	1	Hose Assembly	
11	1001129895	2	Hose Assembly	
12	1001144756	1	Hose Assembly	
13	1001080356	1	Hose Assembly	
14	1001145224	1	Hose Assembly	
15	1001145225	1	Hose Assembly	
16	1001202297	1	Hose Assembly	

SECTION 8 - HYDRAULIC CIRCUITS

FIGURE 8-20. CAB HYDRAULICS INSTALLATION (LSI)



ART_1001236957-B

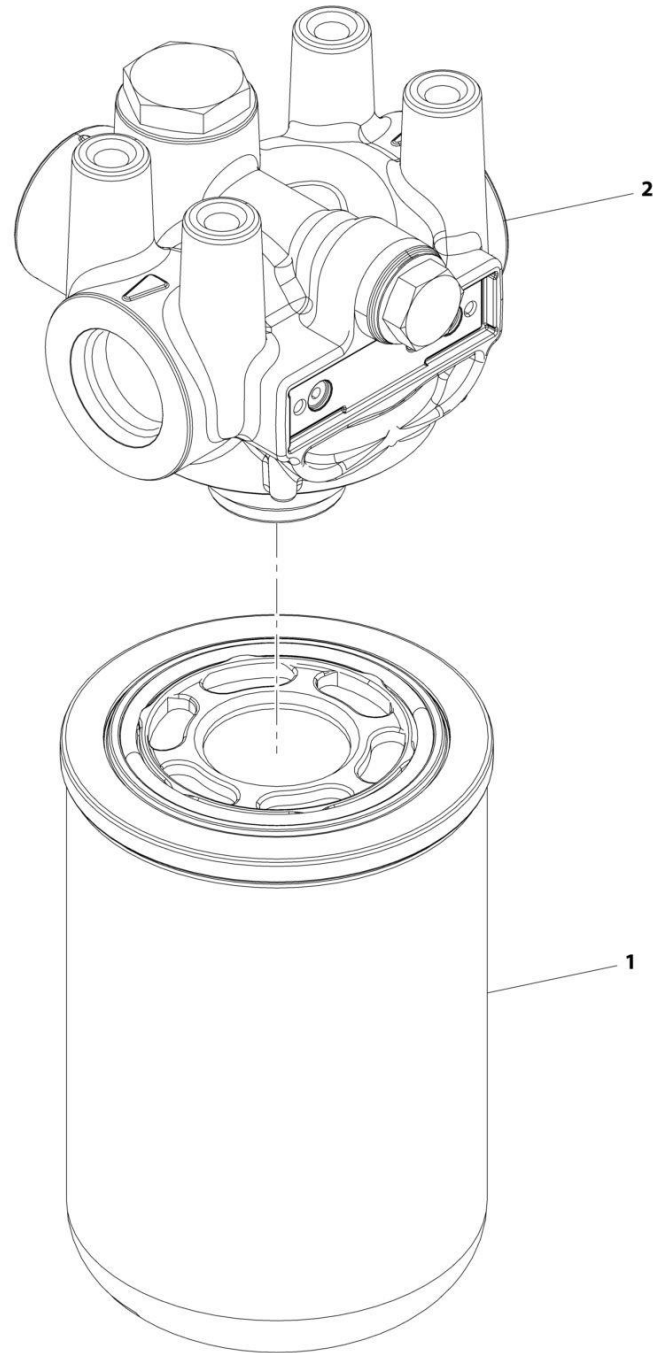
SECTION 8 - HYDRAULIC CIRCUITS

FIGURE 8-20. CAB HYDRAULICS INSTALLATION (LSI)

ITEM	PART NUMBER	QTY	DESCRIPTION	REV
	1001236957	Ref	Cab Hydraulics Installation (LSI)	B
1	2170506	1	Adapter, Run Tee	
2	1001202297	1	Hose Assembly	
3	1001080250	1	Hose Assembly	
4	1001080251	1	Hose Assembly	
5	1001080356	1	Hose Assembly	
6	1001080585	1	Hose Assembly	
7	1001080586	1	Hose Assembly	
8	1001106622	1	Hose Assembly	
9	1001129895	2	Hose Assembly	
10	1001129898	2	Hose Assembly	
11	1001144756	1	Hose Assembly	
12	1001145224	1	Hose Assembly	
13	1001145225	1	Hose Assembly	
14	1001209063	1	Hose Assembly	
15	1001236417	1	Hose Assembly	

SECTION 8 - HYDRAULIC CIRCUITS

FIGURE 8-21. IMPLEMENT PUMP FILTER ASSEMBLY



ART_1001141976-A

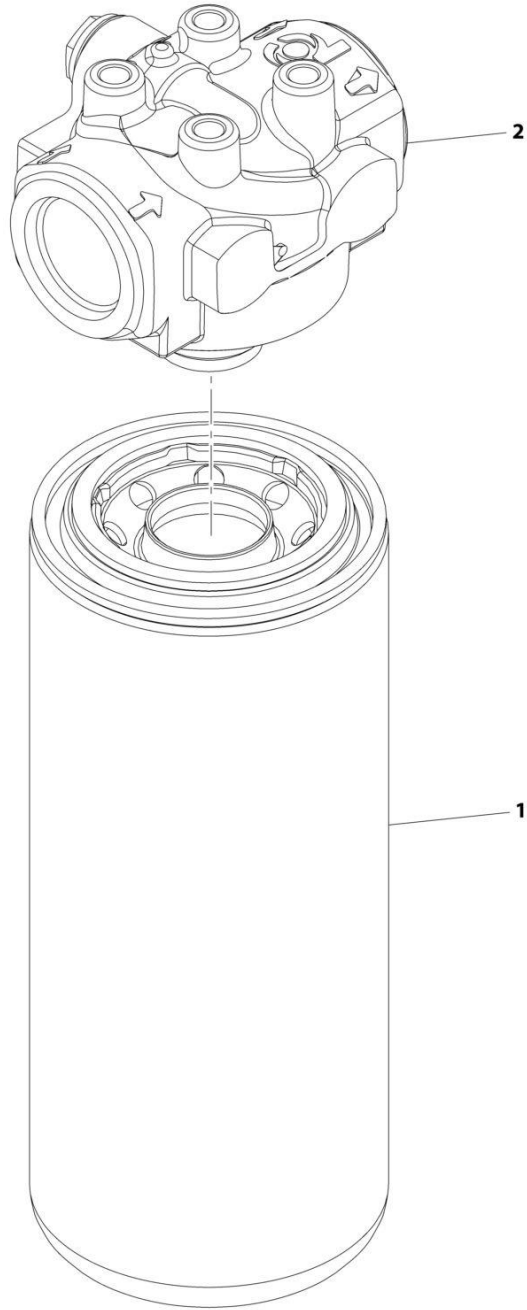
SECTION 8 - HYDRAULIC CIRCUITS

FIGURE 8-21. IMPLEMENT PUMP FILTER ASSEMBLY

ITEM	PART NUMBER	QTY	DESCRIPTION	REV
	1001141976	Ref	Implement Pump Filter Assembly	A
1	1001141461	1	Filter	
2	1001141462	1	Pump, Filter	

SECTION 8 - HYDRAULIC CIRCUITS

FIGURE 8-22. HYDRAULIC FILTER ASSEMBLY



ART_1001141975-A

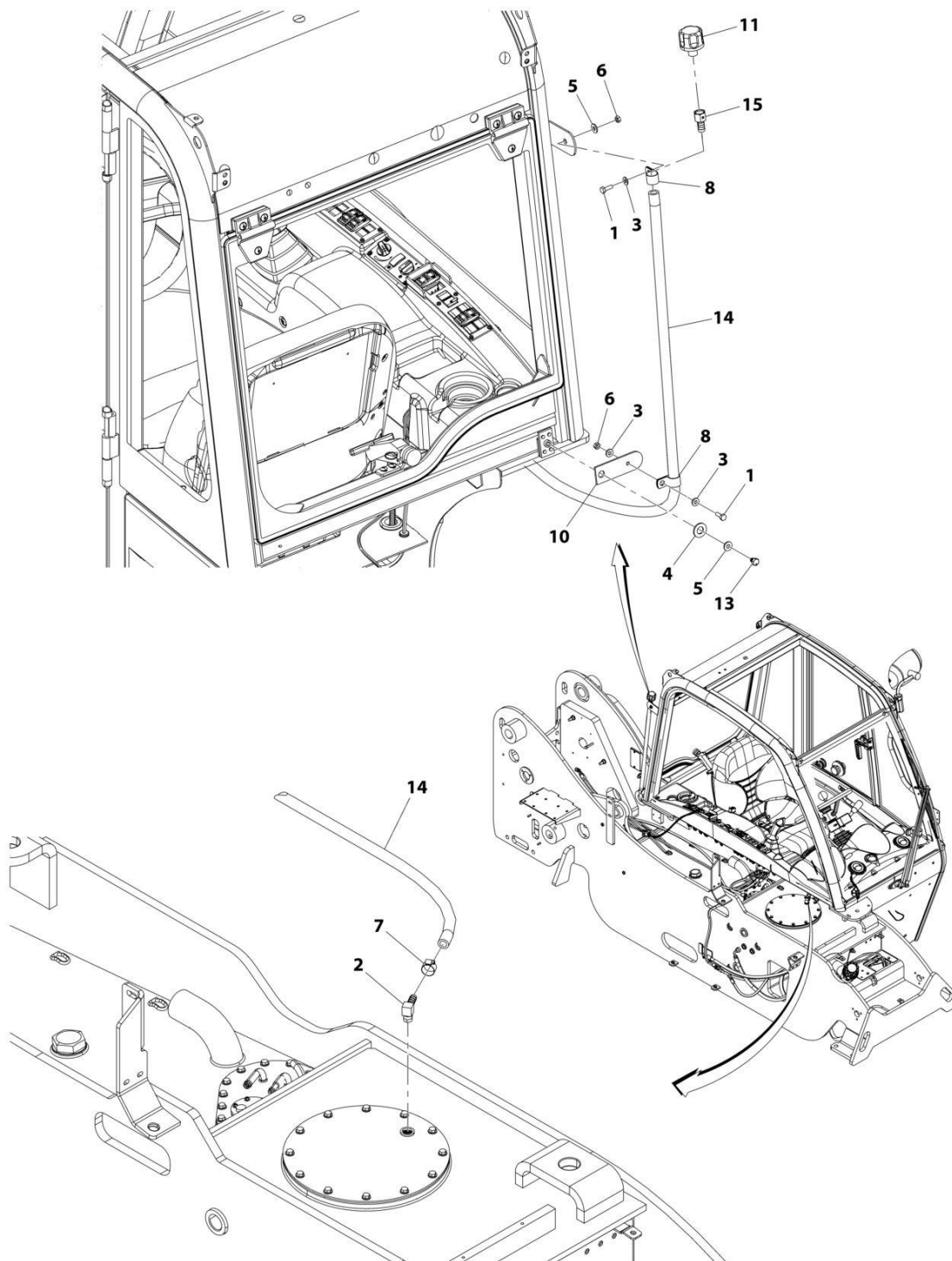
SECTION 8 - HYDRAULIC CIRCUITS

FIGURE 8-22. HYDRAULIC FILTER ASSEMBLY

ITEM	PART NUMBER	QTY	DESCRIPTION	REV
	1001141975	Ref	Hydraulic Filter Assembly	A
1	1001141459	1	Hydraulic Oil Filter Element	
2	1001141460	1	Head Filter	

SECTION 8 - HYDRAULIC CIRCUITS

FIGURE 8-23. HYDRAULIC TANK BREATHER INSTALLATION



ART_1001182755-C

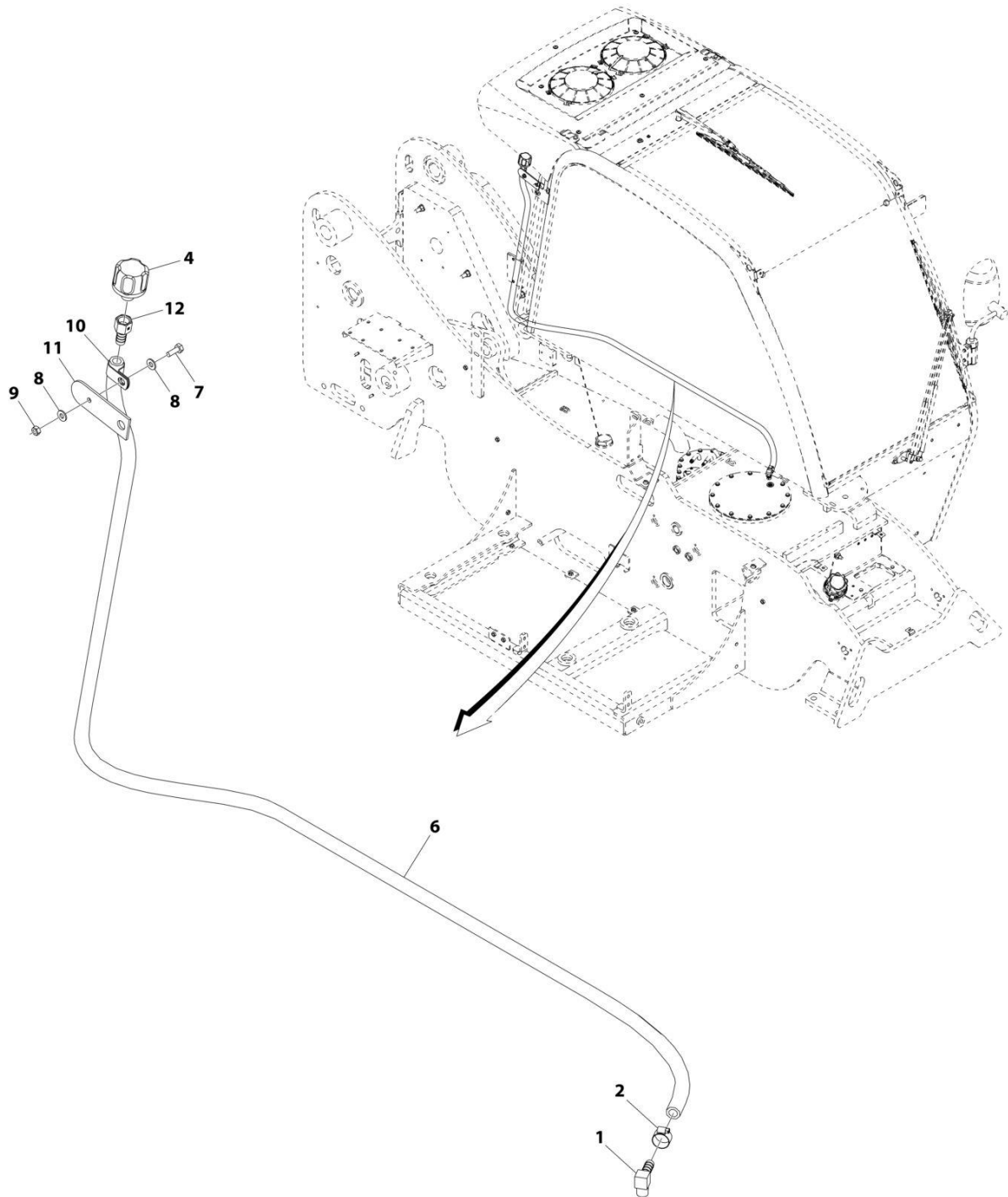
SECTION 8 - HYDRAULIC CIRCUITS

FIGURE 8-23. HYDRAULIC TANK BREATHER INSTALLATION

ITEM	PART NUMBER	QTY	DESCRIPTION	REV
	1001182755	Ref	Hydraulic Tank Breather Installation	C
1	0641406	2	Bolt, 1/4-20X3/4	
2	2221198	1	Fitting, 90	
3	4711400	3	Washer, 1/4	
4	4711900	1	Washer, 9/16	
5	4751400	2	Washer, 1/4	
6	8305004	2	Nut	
7	8405006	1	Clamp, Gear	
8	8406102	2	Clip	
10	1001182224	1	Bracket	
11	1001185024	1	Filter, Hydraulic Breather	
13	1001196601	1	Bolt	
14	1001154405	7	Hose	
15	1001232888	1	Fitting, Straight	

SECTION 8 - HYDRAULIC CIRCUITS

FIGURE 8-24. HYDRAULIC TANK BREATHER INSTALLTION (A/C)



ART_1001186376-B

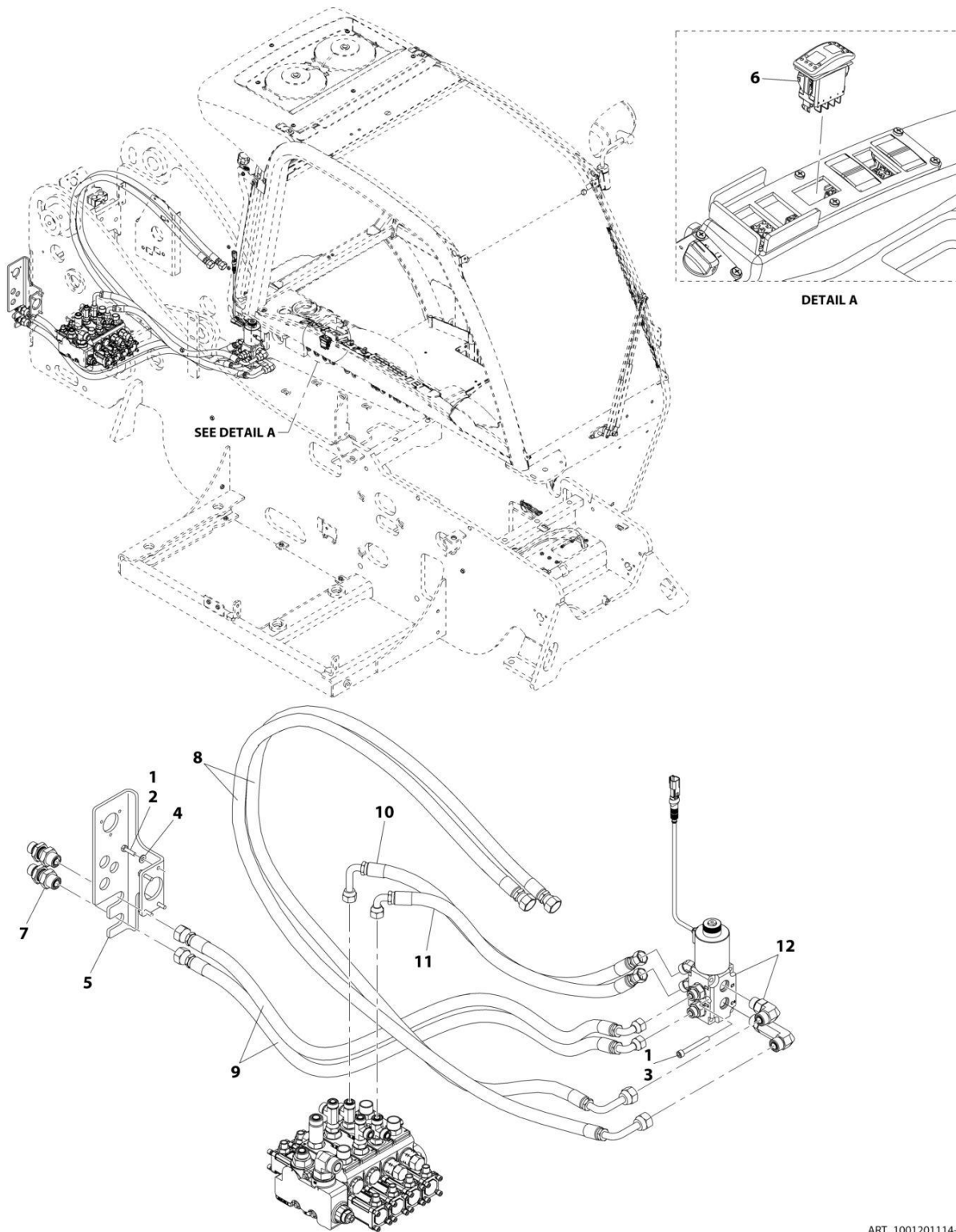
SECTION 8 - HYDRAULIC CIRCUITS

FIGURE 8-24. HYDRAULIC TANK BREATHER INSTALLTION (A/C)

ITEM	PART NUMBER	QTY	DESCRIPTION	REV
	1001186376	Ref	Hydraulic Tank Breather installtion (A/C)	B
1	2221198	1	Barbed Fitting, 90	
2	8405006	1	Gear Clamp	
4	1001185024	1	Air Breather	
6	1001154405	7	Fuel Line Hose, 1/2 In	
7	0641406	1	Hex HD Cap Screw, 1/4-20X3/4	
8	4711400	2	Narrow Washer, 1/4	
9	8305004	1	Hex Nut	
10	8406102	1	Wire Clip	
11	1001182224	1	Tank Breather Hose Bracket	
12	1001232888	1	Fitting	

SECTION 8 - HYDRAULIC CIRCUITS

FIGURE 8-25. REAR HYDRAULIC OUTLET INSTALLATION



ART_1001201114-A

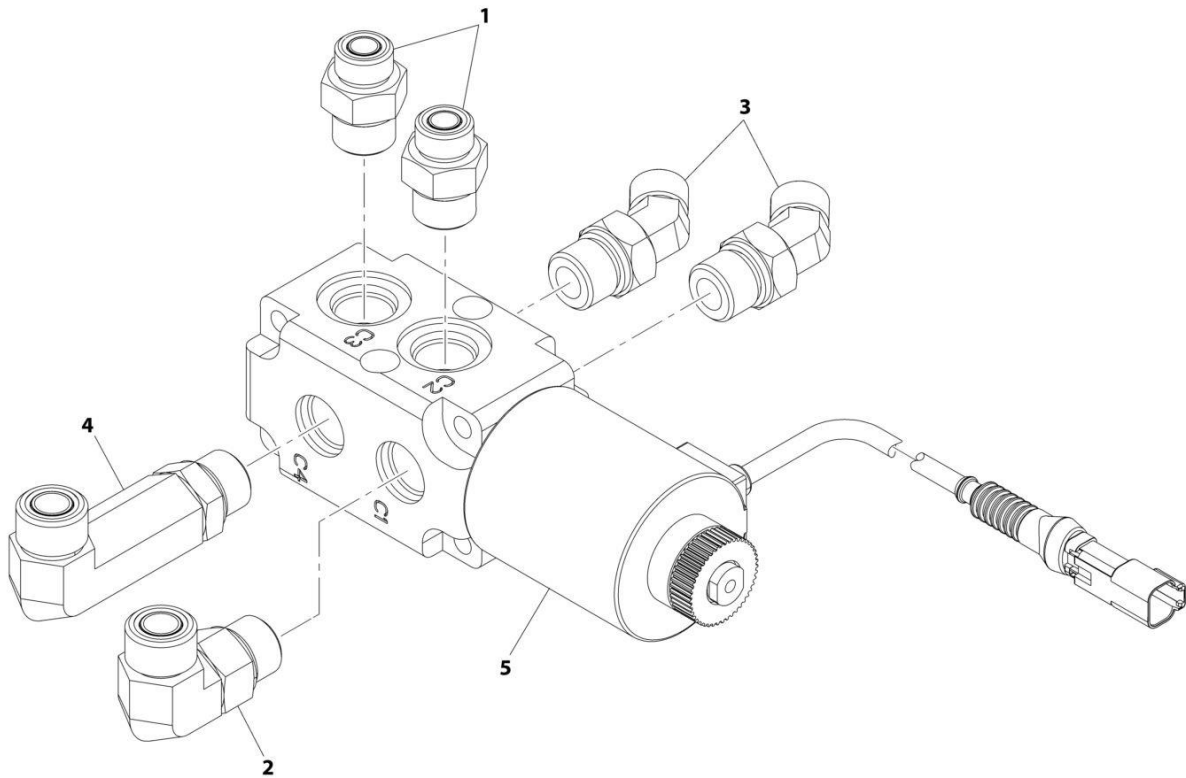
SECTION 8 - HYDRAULIC CIRCUITS

FIGURE 8-25. REAR HYDRAULIC OUTLET INSTALLATION

ITEM	PART NUMBER	QTY	DESCRIPTION	REV
	1001201114	Ref	Rear Hydraulic Outlet Installation	A
1	0100011	AR	Loctite 242	
2	0641408	4	Hex HD Capscrew, 1/4-20X1, GR5	
3	4031918	2	Hex Socket HD Capscrew, M8X70	
4	4711400	4	Washer, 1/4	
5	1001080240	1	Trailer Hitch Bracket	
6	1001080364	1	Front/Rear Auxiliary Hydraulic Switch	
7	1001101235	2	Adapter	
8	1001135799	2	Hose Assembly	
9	1001135801	2	Hose Assembly	
10	1001135803	1	Hose Assembly	
11	1001135805	1	Hose Assembly	
12	1001135807	1	Assembly, Rear Diverter Valve (See Separate Breakdown in this Section)	

SECTION 8 - HYDRAULIC CIRCUITS

FIGURE 8-26. REAR DIVERTER VALVE ASSEMBLY



ART_1001135807-A

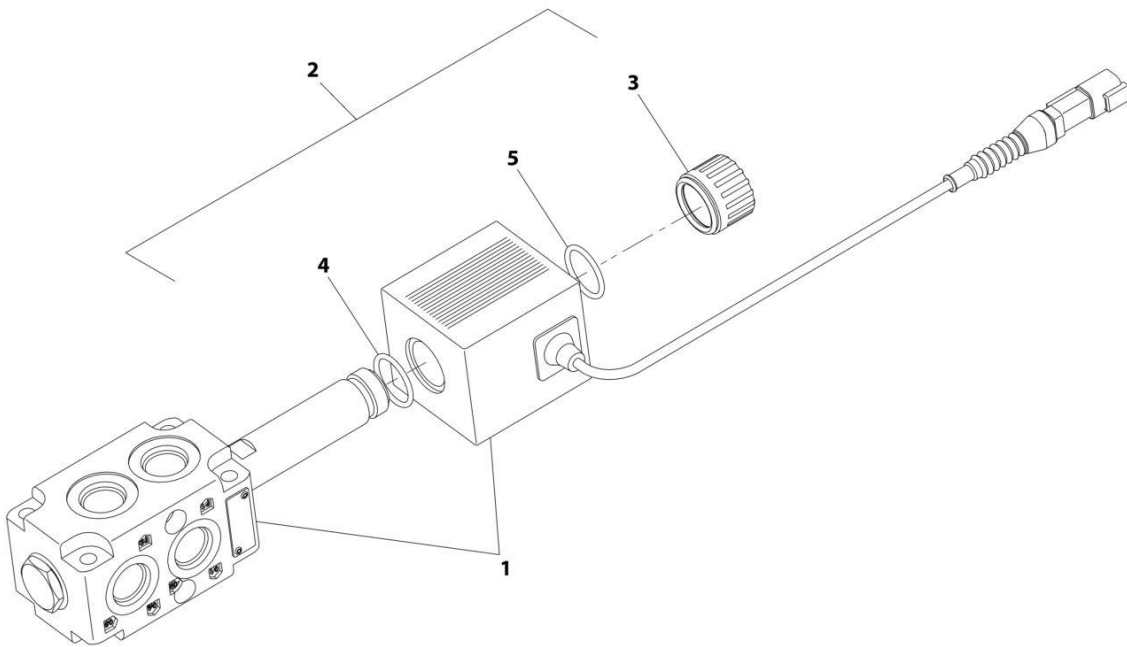
SECTION 8 - HYDRAULIC CIRCUITS

FIGURE 8-26. REAR DIVERTER VALVE ASSEMBLY

ITEM	PART NUMBER	QTY	DESCRIPTION	REV
	1001135807	Ref	Rear Diverter Valve Assembly	A
1	2110810	2	Adapter	
2	2131010	1	Adapter, 90	
3	2150810	2	Adapter, 45	
4	2170210	1	Adapter, 90	
5	1001104477	1	Divertor Valve (See Separate Breakdown in this Section)	

SECTION 8 - HYDRAULIC CIRCUITS

FIGURE 8-27. DIVERTOR VALVE



ART_1001104477-D

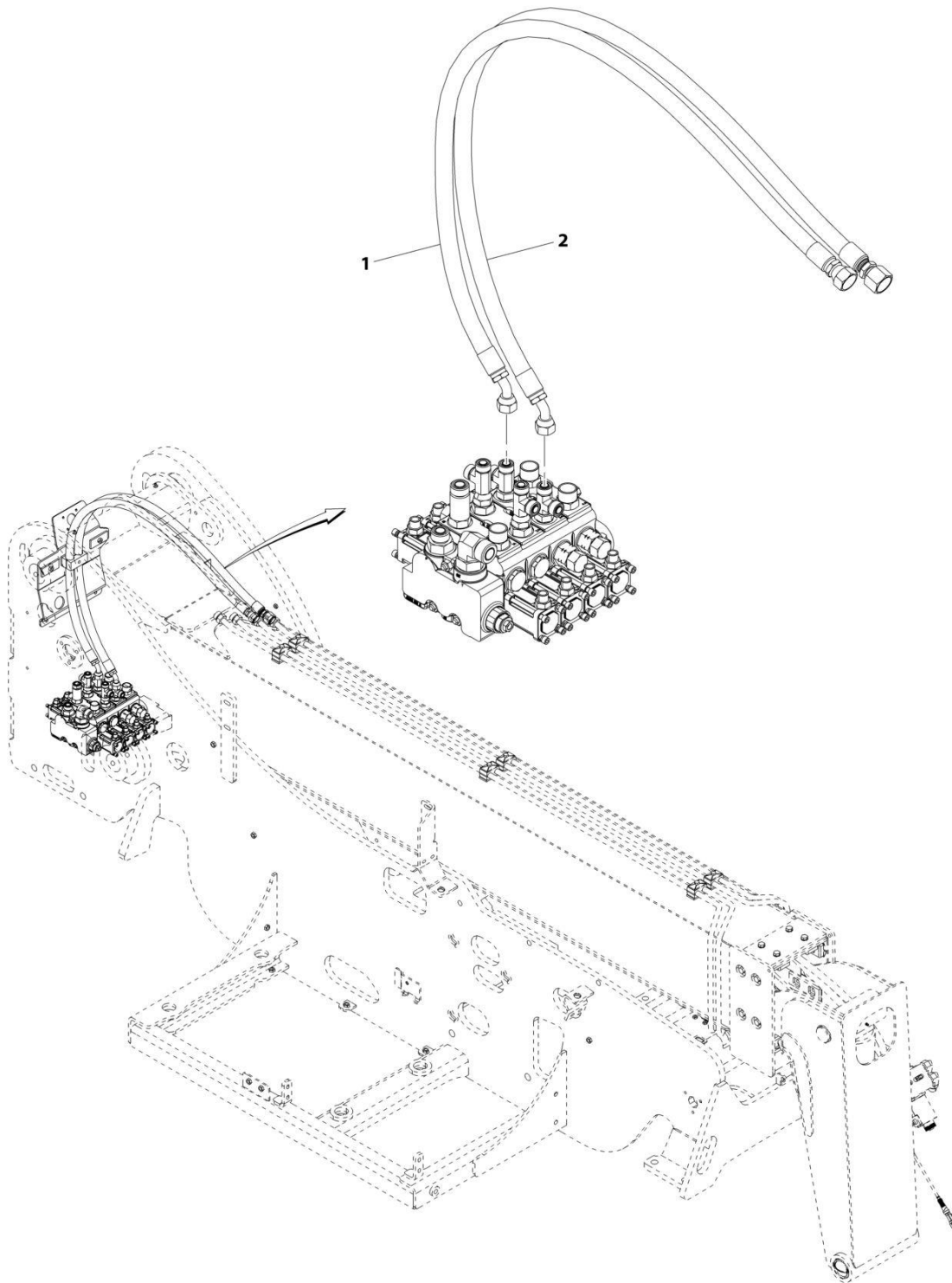
SECTION 8 - HYDRAULIC CIRCUITS

FIGURE 8-27. DIVERTOR VALVE

ITEM	PART NUMBER	QTY	DESCRIPTION	REV
	1001104477	Ref	Divertor Valve	D
1	70020764	1	Coil	
2	70021531	1	Kit, Retainer	
3	Kit	1	Nut	
4	Kit	1	O-Ring	
5	Kit	1	O-Ring	

SECTION 8 - HYDRAULIC CIRCUITS

FIGURE 8-28. BOOM AUX HOSE INSTALLATION



ART_1001201115-A

SECTION 8 - HYDRAULIC CIRCUITS

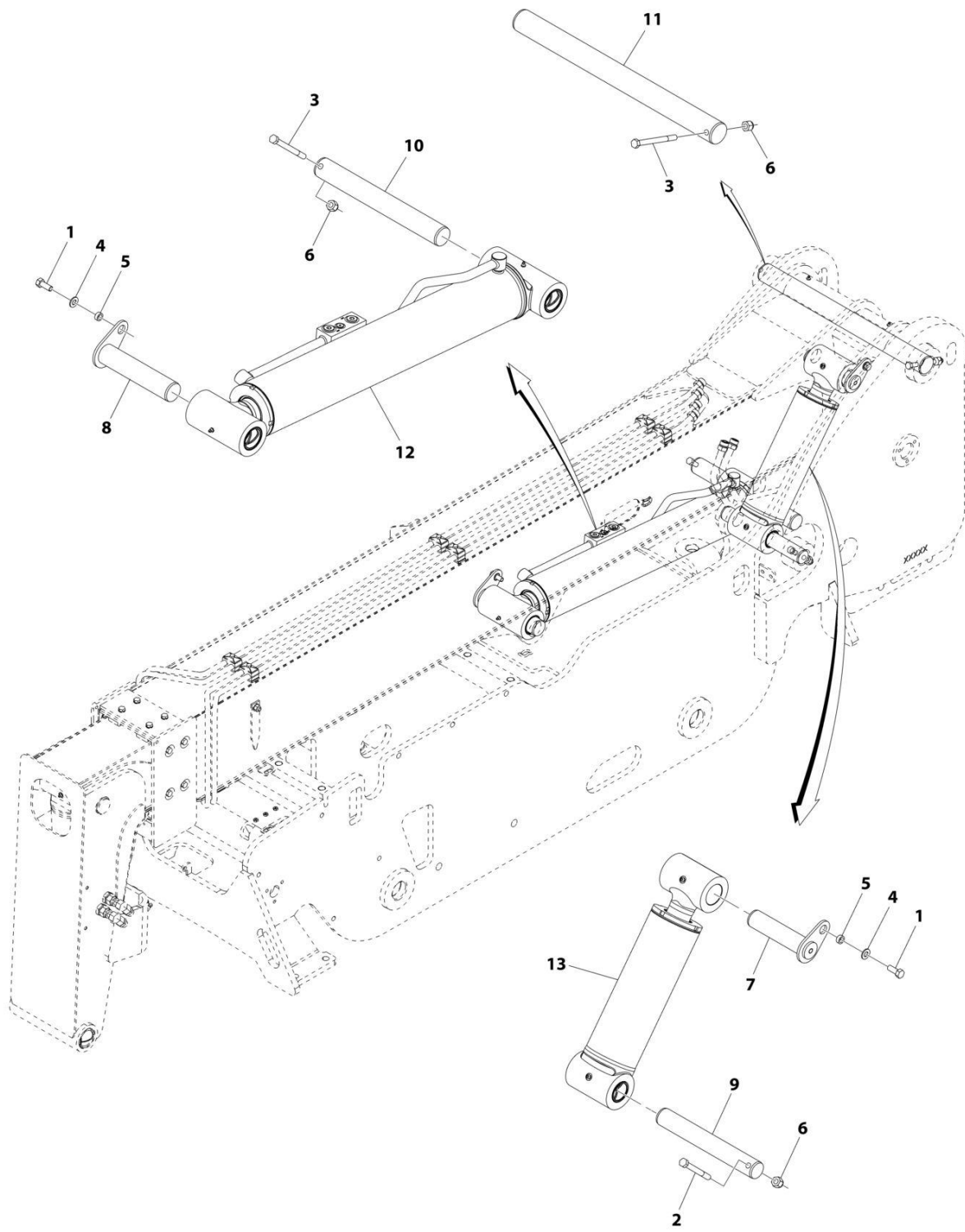
FIGURE 8-28. BOOM AUX HOSE INSTALLATION

ITEM	PART NUMBER	QTY	DESCRIPTION	REV
	1001201115	Ref	Boom Aux Hose Installation	A
1	1001080294	1	Hose Assembly	
2	1001080308	1	Hose Assembly	

SECTION 9 - HYDRAULIC COMPONENTS

SECTION 9 - HYDRAULIC COMPONENTS

FIGURE 9-1. BOOM CYLINDER INSTALLATION, ANSI



ART_1001204854-B

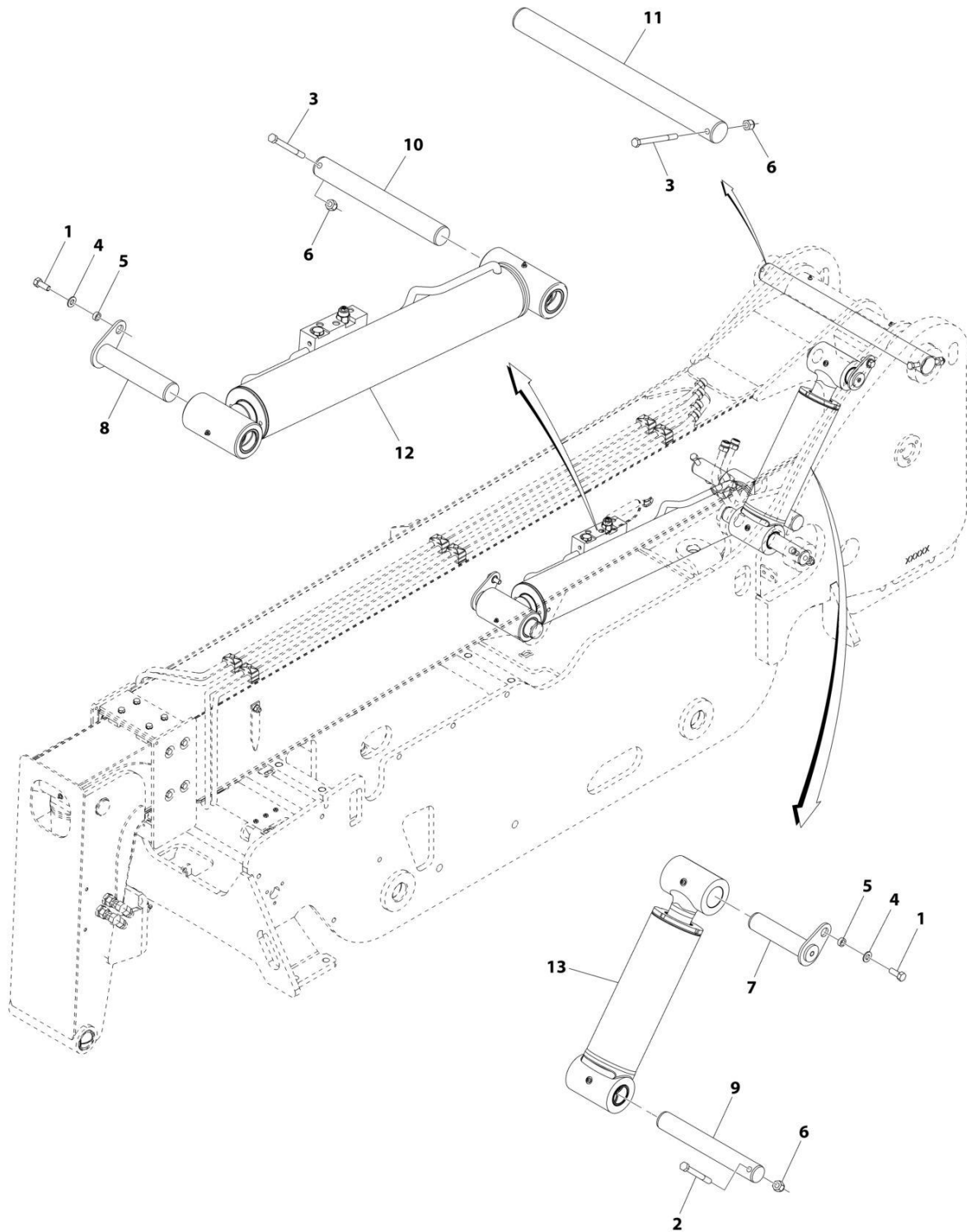
SECTION 9 - HYDRAULIC COMPONENTS

FIGURE 9-1. BOOM CYLINDER INSTALLATION, ANSI

ITEM	PART NUMBER	QTY	DESCRIPTION	REV
	1001204854	Ref	Boom Cylinder Installation (ANSI)	B
1	0641810	2	Hex HD Capscrew, 1/2-13X5/4	
2	0681836	1	Hex HD Capscrew, 1/2-13X9/2	
3	0681844	2	Hex HD Capscrew, 1/2-13X11/2	
4	4711800	2	Plain Washer, 1/2	
5	7139886	2	Pin Retention Spacer	
6	88521208	3	Locknut, 1/2-13	
7	1001080154	1	Cylinder Rod Pin	
8	1001080155	1	Cylinder Rod Pin	
9	1001080312	1	Cylinder Base Pin	
10	1001080313	1	Cylinder Base Pin	
11	1001080314	1	Boom Pivot Pin	
12	1001225578	1	Lift Cylinder (See Separate Breakdown in this Section)	
13	1001200580	1	Compensation Cylinder (See Separate Breakdown in this Section)	

SECTION 9 - HYDRAULIC COMPONENTS

FIGURE 9-2. BOOM CYLINDER INSTALLATION, CE



ART_1001204856-A

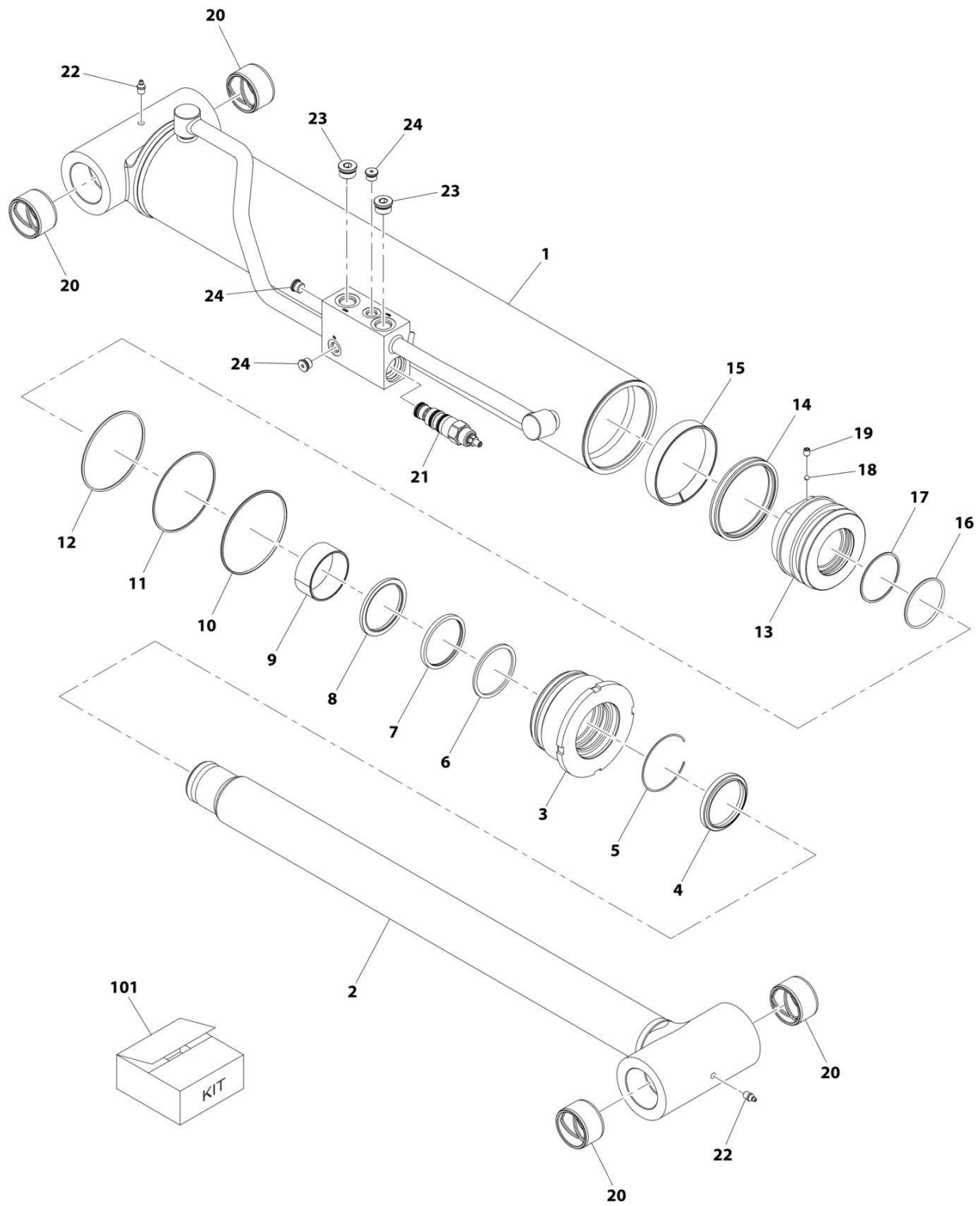
SECTION 9 - HYDRAULIC COMPONENTS

FIGURE 9-2. BOOM CYLINDER INSTALLATION, CE

ITEM	PART NUMBER	QTY	DESCRIPTION	REV
	1001204856	Ref	Boom Cylinder Installation (CE)	A
1	0641810	2	Hex HD Capscrew, 1/2-13X5/4	
2	0681836	1	Hex HD Capscrew, 1/2-13X9/2	
3	0681844	2	Hex HD Capscrew, 1/2-13X11/2	
4	4711800	2	Plain Washer, 1/2	
5	7139886	2	Pin Retention Spacer	
6	88521208	3	Locknut, 1/2-13	
7	1001080154	1	Cylinder Rod Pin	
8	1001080155	1	Cylinder Rod Pin	
9	1001080312	1	Cylinder Base Pin	
10	1001080313	1	Cylinder Base Pin	
11	1001080314	1	Boom Pivot Pin	
12	1001132210	1	Lift Cylinder Assembly (See Separate Breakdown in this Section)	
13	1001200580	1	Compensation Cylinder (See Separate Breakdown in this Section)	

SECTION 9 - HYDRAULIC COMPONENTS

FIGURE 9-3. LIFT CYLINDER, ANSI



ART_1001225578-B

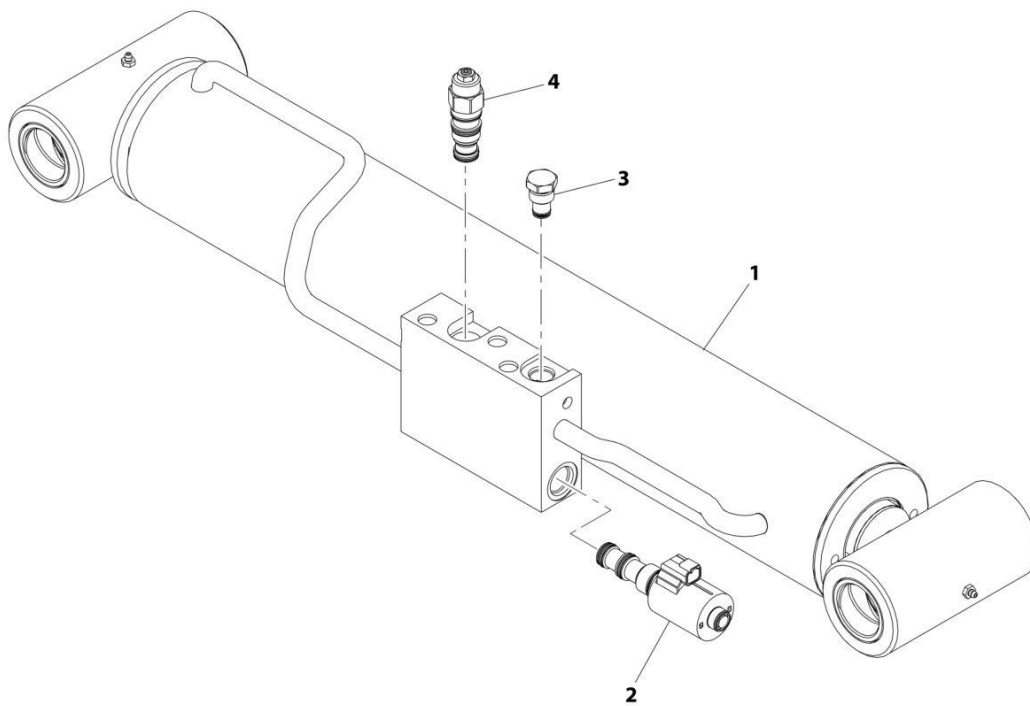
SECTION 9 - HYDRAULIC COMPONENTS

FIGURE 9-3. LIFT CYLINDER, ANSI

ITEM	PART NUMBER	QTY	DESCRIPTION	REV
	1001225578	Ref	Lift Cylinder, ANSI	B
1	70027260	1	Tube Assembly	
2	70027261	1	Rod Assembly	
3	70027256	1	Gland	
4	Kit	1	Dust Wiper	
5	70027259	1	Retain Ring	
6	Kit	1	Rod Seal	
7	Kit	1	Back-Up Ring	
8	Kit	1	Buffer Ring	
9	Kit	1	Dry Bearing	
10	Kit	1	O-Ring	
11	Kit	1	Back-Up Ring	
12	Kit	1	O-Ring	
13	70027257	1	Piston	
14	Kit	1	Piston Seal	
15	Kit	1	Wear Ring	
16	Kit	1	O-Ring	
17	Kit	1	Back-Up Ring	
18	70022564	1	Steel Ball	
19	70023369	1	Set Screw	
20	70027251	4	Bushing	
21	70028856	1	Counterbalance Valve	
22	70026308	2	Grease Nipple	
23	70005433	2	Hex Plug	
24	2220885	3	Hex Plug	
101	70027262	1	Seal Kit (includes items 4, 6 thru 12, 14 thru 17)	

SECTION 9 - HYDRAULIC COMPONENTS

FIGURE 9-4. LIFT CYLINDER ASSEMBLY, CE



ART_1001132210-A

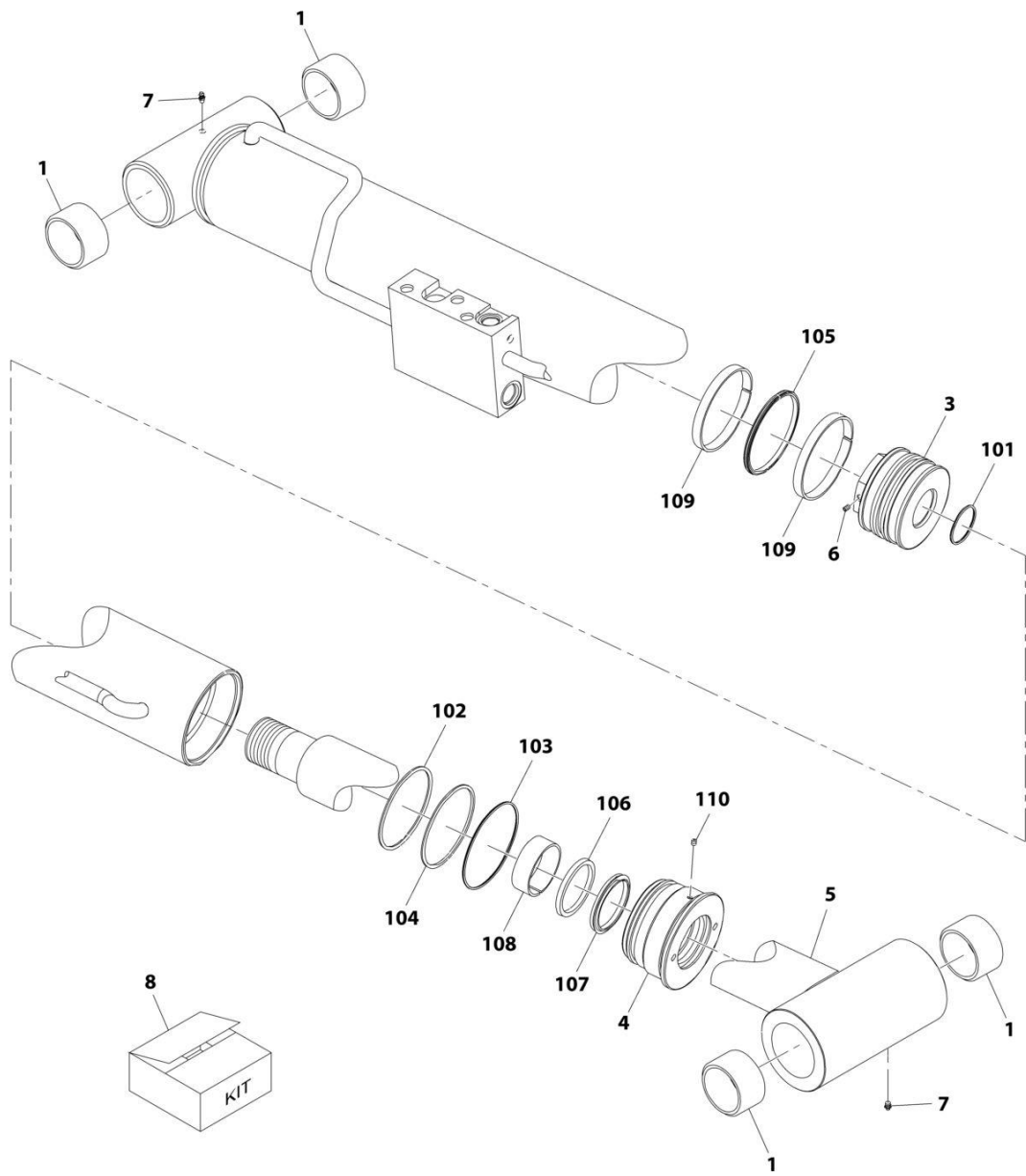
SECTION 9 - HYDRAULIC COMPONENTS

FIGURE 9-4. LIFT CYLINDER ASSEMBLY, CE

ITEM	PART NUMBER	QTY	DESCRIPTION	REV
	1001132210	Ref	Lift Cylinder Assembly, CE	A
1	1001132161	1	Lift Cylinder, CE (See Separate Breakdown in this Section)	
2	1001132207	1	Flow Control Valve	
3	1001132208	1	Check Valve	
4	1001132209	1	Counterbalance Valve	

SECTION 9 - HYDRAULIC COMPONENTS

FIGURE 9-5. LIFT CYLINDER, CE



ART_1001132161-A

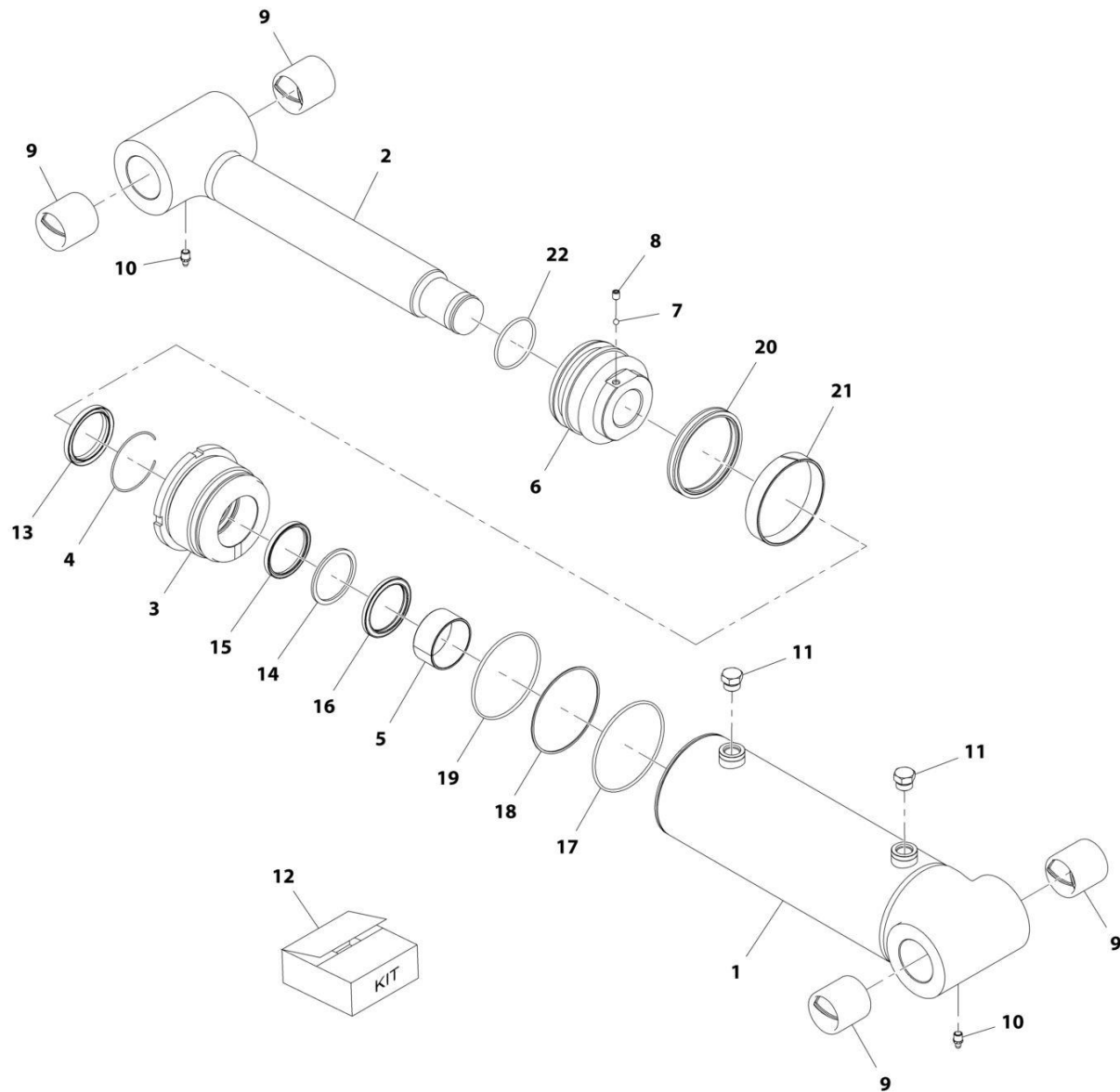
SECTION 9 - HYDRAULIC COMPONENTS

FIGURE 9-5. LIFT CYLINDER, CE

ITEM	PART NUMBER	QTY	DESCRIPTION	REV
	1001132161	Ref	Lift Cylinder, CE	A
1	70020370	4	Bushing	
3	70020372	1	Piston	
4	70020373	1	Head Gland	
5	70023974	1	Cylinder Rod	
6	8036629	3	Set Screw	
7	70020375	2	Grease Fitting	
8	70020377	1	Seal Kit	
101	Kit	1	O-Ring	
102	Kit	1	O-Ring	
103	Kit	1	O-Ring	
104	Kit	1	Backup Ring	
105	Kit	1	Piston Seal	
106	Kit	1	Rod Seal	
107	Kit	1	Rod Wiper	
108	Kit	1	Wearband	
109	Kit	2	Wearband	
110	Kit	2	Locking Insert	

SECTION 9 - HYDRAULIC COMPONENTS

FIGURE 9-6. COMPENSATION CYLINDER



ART_1001200580-B

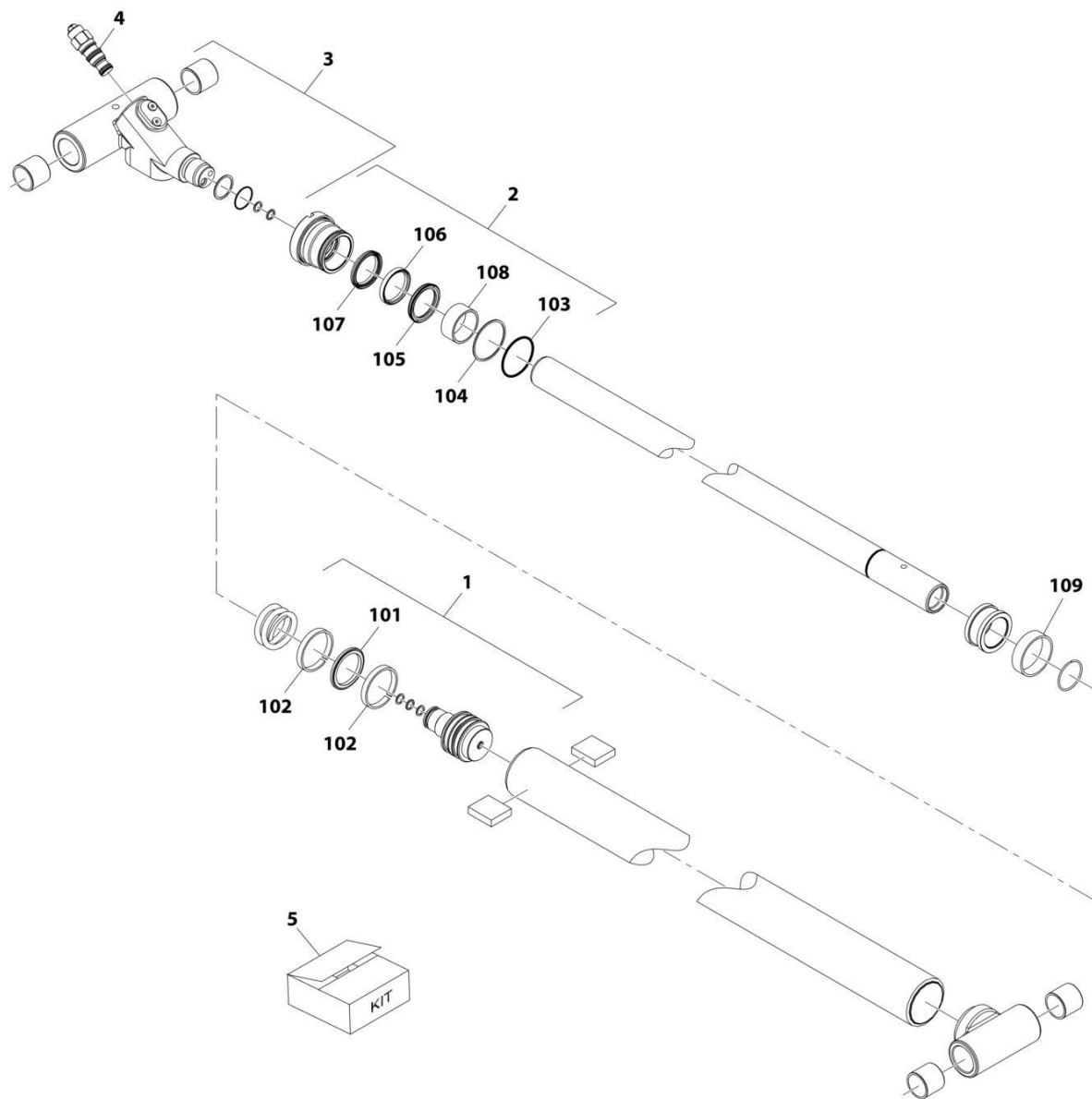
SECTION 9 - HYDRAULIC COMPONENTS

FIGURE 9-6. COMPENSATION CYLINDER

ITEM	PART NUMBER	QTY	DESCRIPTION	REV
	1001200580	Ref	Compensation Cylinder	B
1	70027246	1	Barrel Assembly	
2	70027247	1	Rod Assembly	
3	70027242	1	Gland	
4	70027244	1	Retain Ring	
5	70004637	1	Dry Bearing	
6	70027243	1	Piston	
7	70022564	1	Steel Ball	
8	70023369	1	Set Screw	
9	70027245	4	Bush	
10	70026308	2	Grease Nipple	
11	70023372	2	Hex Plug	
12	70027248	1	Seal Kit, (includes items 13 thru 22)	
13	Kit	1	Dust Wiper	
14	Kit	1	Rod Seal	
15	Kit	1	Back Up Ring	
16	Kit	1	Buffer Ring	
17	Kit	1	O-Ring	
18	Kit	1	Back Up Ring	
19	Kit	1	O-Ring	
20	Kit	1	Piston Seal	
21	Kit	1	Wear Ring	
22	Kit	1	O-Ring	

SECTION 9 - HYDRAULIC COMPONENTS

FIGURE 9-7. EXTEND/RETRACT CYLINDER



ART_1001201668-B

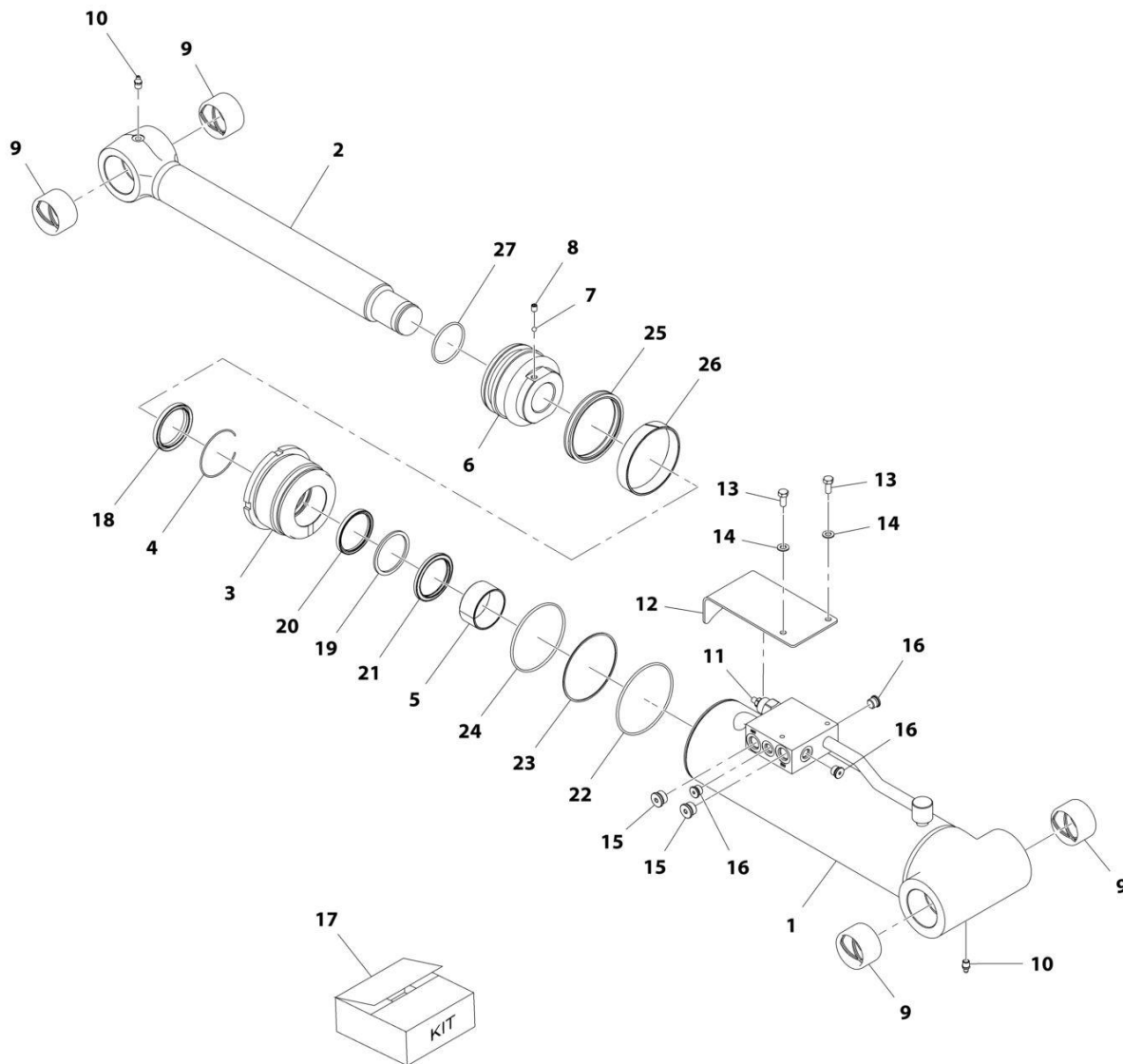
SECTION 9 - HYDRAULIC COMPONENTS

FIGURE 9-7. EXTEND/RETRACT CYLINDER

ITEM	PART NUMBER	QTY	DESCRIPTION	REV
	1001201668	Ref	Extend/Retract Cylinder	B
1	70027610	1	Piston Assembly, (Includes Items 101 & 102)	
2	70027611	1	Retainer Assembly, (Includes Items 103 Thru 108)	
3	70027612	1	Rod Assembly	
4	70020376	1	Counter Balance Valve	
5	70027638	1	Seal Kit, (Includes Items 101 Thru 109)	
101	Kit	1	Piston Seal	
102	Kit	2	Wear Ring	
103	Kit	1	O-Ring	
104	Kit	1	Back Up Ring	
105	Kit	1	Buffer Ring	
106	Kit	1	Rod Seal	
107	Kit	1	Wiper	
108	Kit	1	Bushing	
109	Kit	1	Wear Ring	

SECTION 9 - HYDRAULIC COMPONENTS

FIGURE 9-8. TILT CYLINDER



ART_1001200581-B

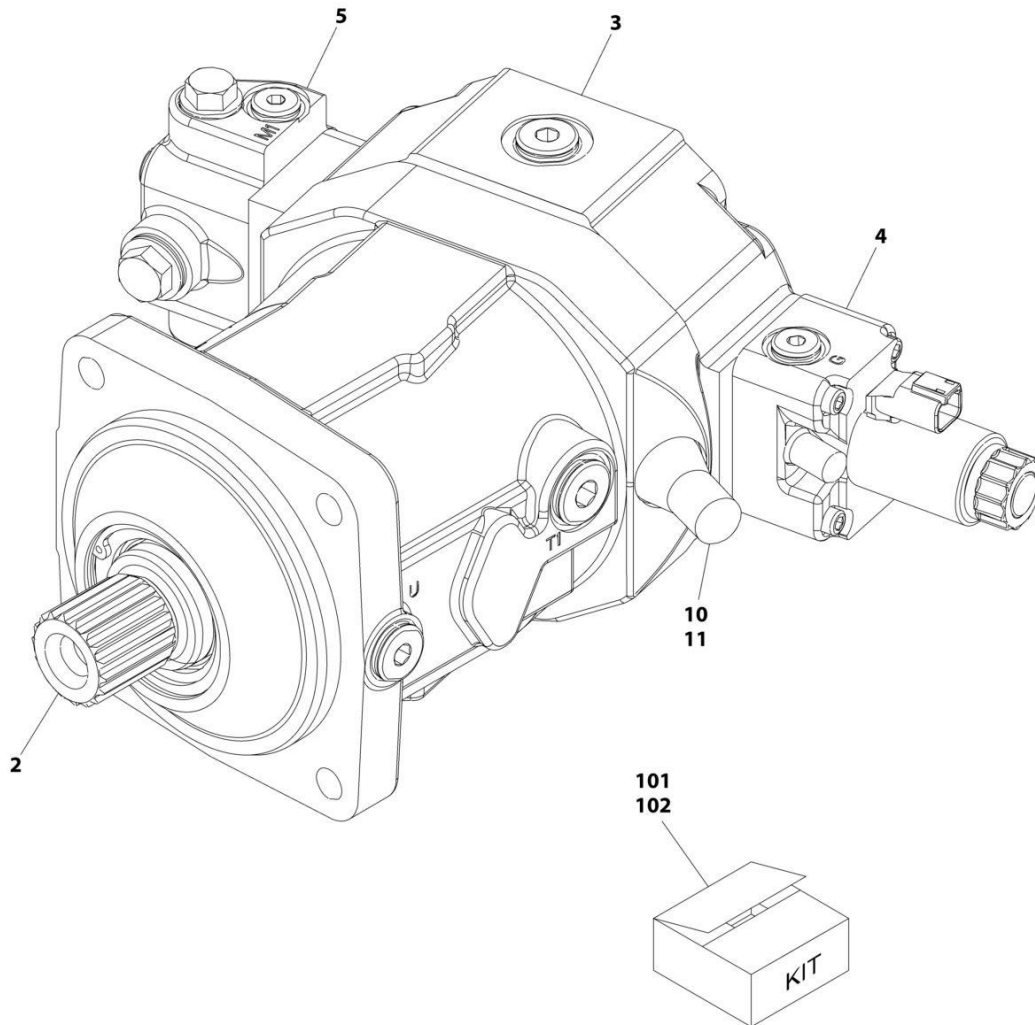
SECTION 9 - HYDRAULIC COMPONENTS

FIGURE 9-8. TILT CYLINDER

ITEM	PART NUMBER	QTY	DESCRIPTION	REV
	1001200581	Ref	Tilt Cylinder	B
1	70027252	1	Barrel Assembly	
2	70027253	1	Rod Assembly	
3	70027242	1	Gland	
4	70027244	1	Retain Ring	
5	70004637	1	Dry Bearing	
6	70027243	1	Piston	
7	70022564	1	Steel Ball	
8	70023369	1	Set Screw	
9	70027251	4	Bush	
10	70026308	2	Grease Nipple	
11	1001189888	1	Counter Balance Valve	
12	70027254	1	Cover	
13	70027249	2	Hex Bolt	
14	70027250	2	Washer	
15	70023373	2	Hex Socket Plug	
16	70023371	3	Hex Socket Plug	
17	70027255	1	Seal Kit	
18	Kit	1	Dust Wiper	
19	Kit	1	Rod Seal	
20	Kit	1	Back Up Ring	
21	Kit	1	Buffer Ring	
22	Kit	1	O-Ring	
23	Kit	1	Back Up Ring	
24	Kit	1	O-Ring	
25	Kit	1	Piston Seal	
26	Kit	1	Wear Ring	
27	Kit	1	O-Ring	

SECTION 9 - HYDRAULIC COMPONENTS

FIGURE 9-9. HYDROSTATIC MOTOR



ART_1001138823-B

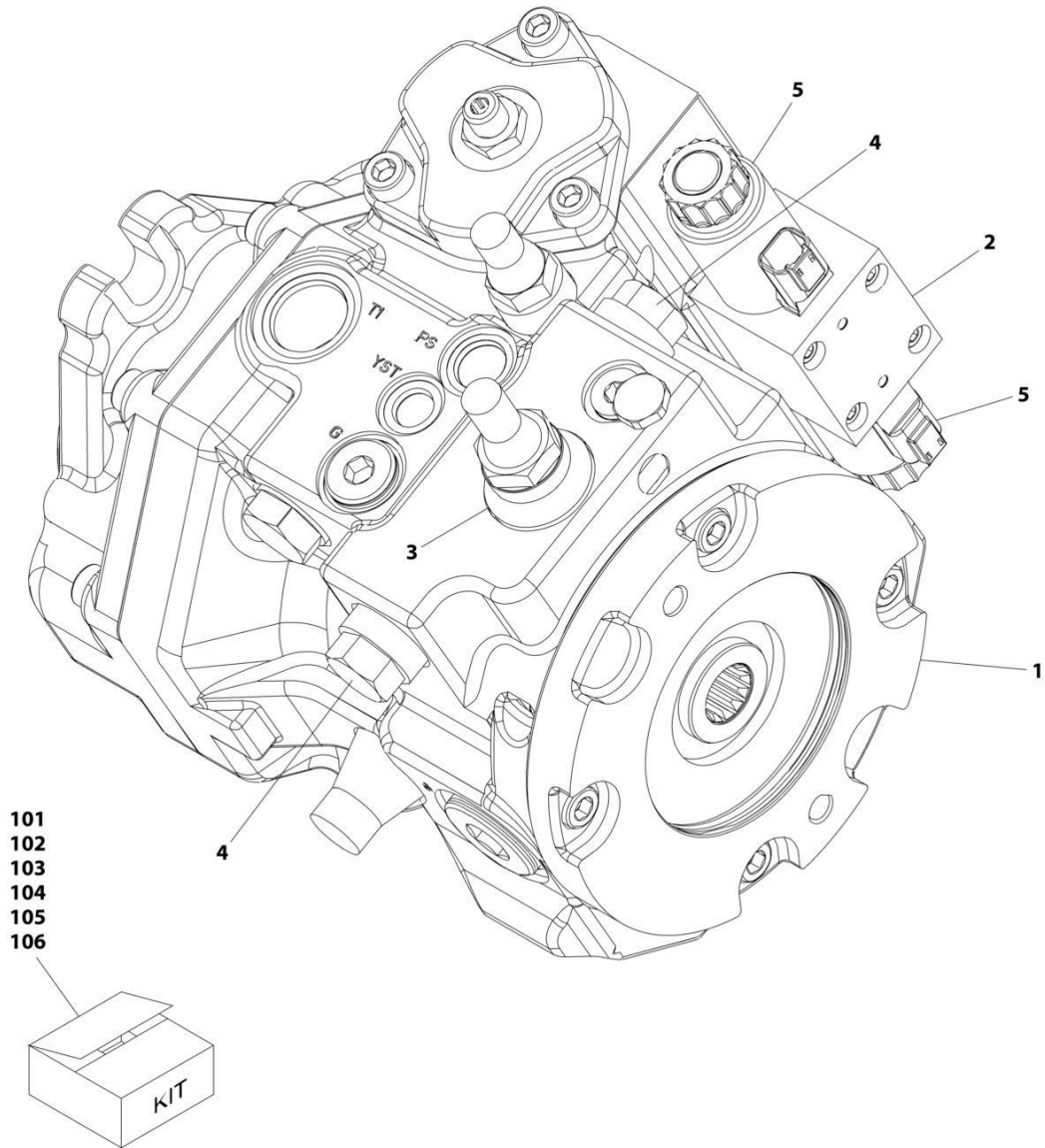
SECTION 9 - HYDRAULIC COMPONENTS

FIGURE 9-9. HYDROSTATIC MOTOR

ITEM	PART NUMBER	QTY	DESCRIPTION	REV
	1001138823	Ref	Hydrostatic Motor	B
2	70024933	1	Rotary Group	
3	70024934	1	Port Plate W/Accessories	
4	70024935	1	Control Part	
5	70024936	1	Flushing Valve W/Orifice	
10	70024938	1	Threaded Pin	
11	80334492	1	Sealing Nut	
101	70024939	1	Seal Kit	
102	70024937	1	Seal Kit, Rotary Group	

SECTION 9 - HYDRAULIC COMPONENTS

FIGURE 9-10. HYDROSTATIC PUMP



ART_1001138887-C

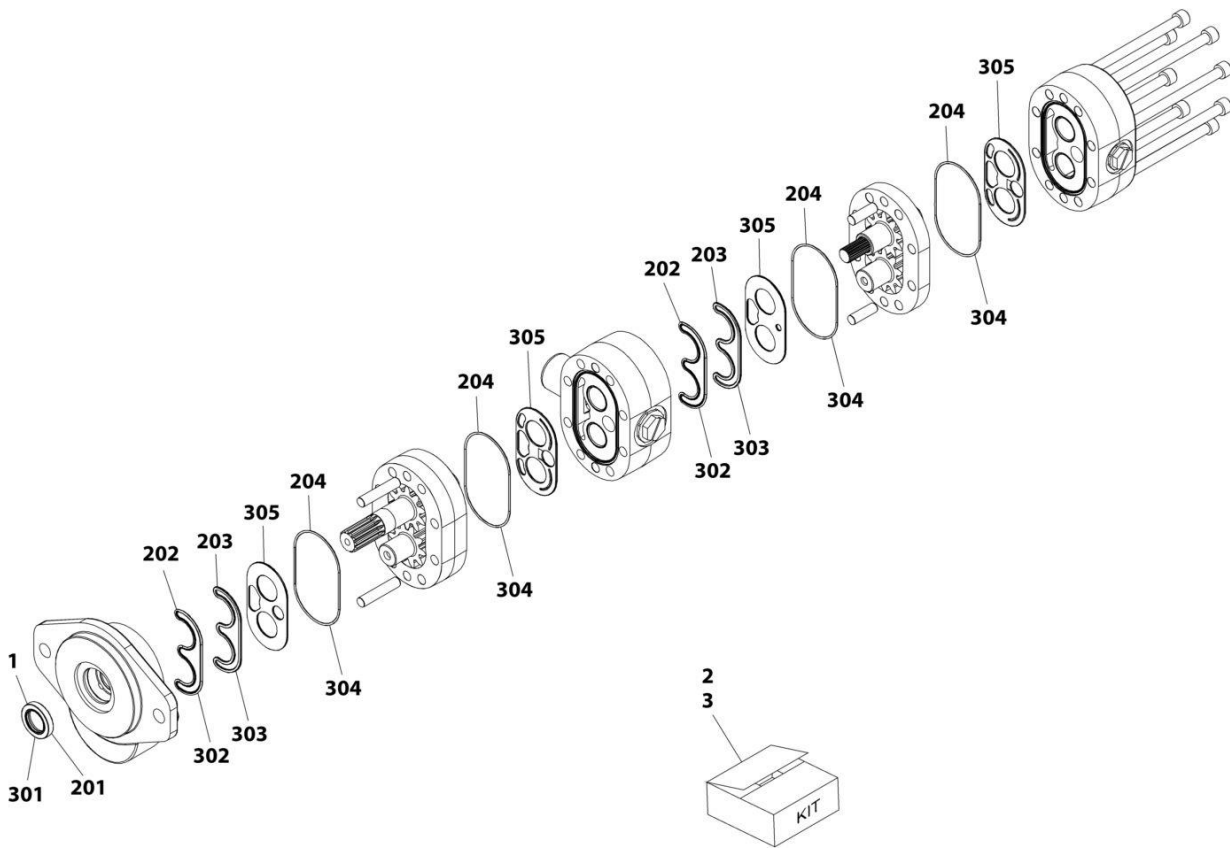
SECTION 9 - HYDRAULIC COMPONENTS

FIGURE 9-10. HYDROSTATIC PUMP

ITEM	PART NUMBER	QTY	DESCRIPTION	REV
	1001138887	Ref	Hydrostatic Pump	C
1	70024940	1	Charge Pump	
2	70024941	1	Control Module	
3	70024942	1	Control Cartridge W/Orifice	
4	70024945	2	Pressure Relief Valve	
5	70022726	2	Control Solenoid	
101	70024943	1	Seal Kit, (Includes Items 103 Thru 106)	
102	70024944	1	Seal Kit, Rotary Group, (Shaft Seal And Retaining Ring)	
103	70024947	1	Shaft Seal Kit	
104	70024948	1	Pump Seal Kit	
105	70024949	1	Charge Pump Seal Kit	
106	70024950	1	Control Seal Kit	

SECTION 9 - HYDRAULIC COMPONENTS

FIGURE 9-11. GEAR PUMP



ART_1001139997-B

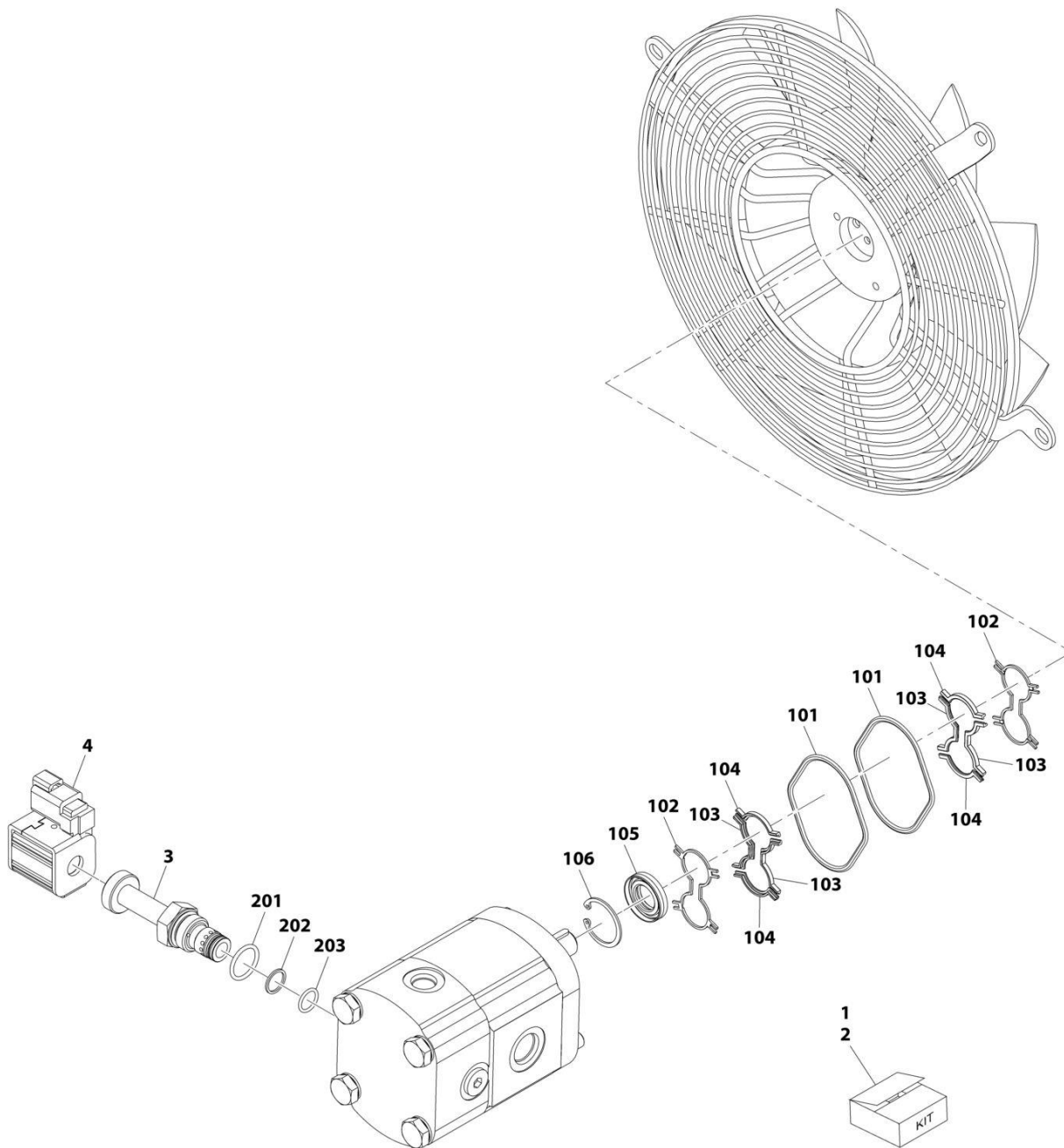
SECTION 9 - HYDRAULIC COMPONENTS

FIGURE 9-11. GEAR PUMP

ITEM	PART NUMBER	QTY	DESCRIPTION	REV
	100113997	Ref	Gear Pump	B
1	70024951	1	Shaft Seal Kit	
2	70024952	1	Unit Seal Kit, (includes items 201 thru 204)	
201	Kit	1	Shaft Seal	
202	Kit	2	Pre-Load Seal	
203	Kit	2	Load Seal	
204	Kit	4	Sealing Ring	
3	70024953	1	Minor Repair Kit, (includes items 301 thru 305)	
301	Kit	1	Shaft Seal	
302	Kit	2	Pre-Load Seal	
303	Kit	2	Load Seal	
304	Kit	4	Sealing Ring	
305	Kit	4	Wear Plates	

SECTION 9 - HYDRAULIC COMPONENTS

FIGURE 9-12. FAN MOTOR



ART_1001141779-C

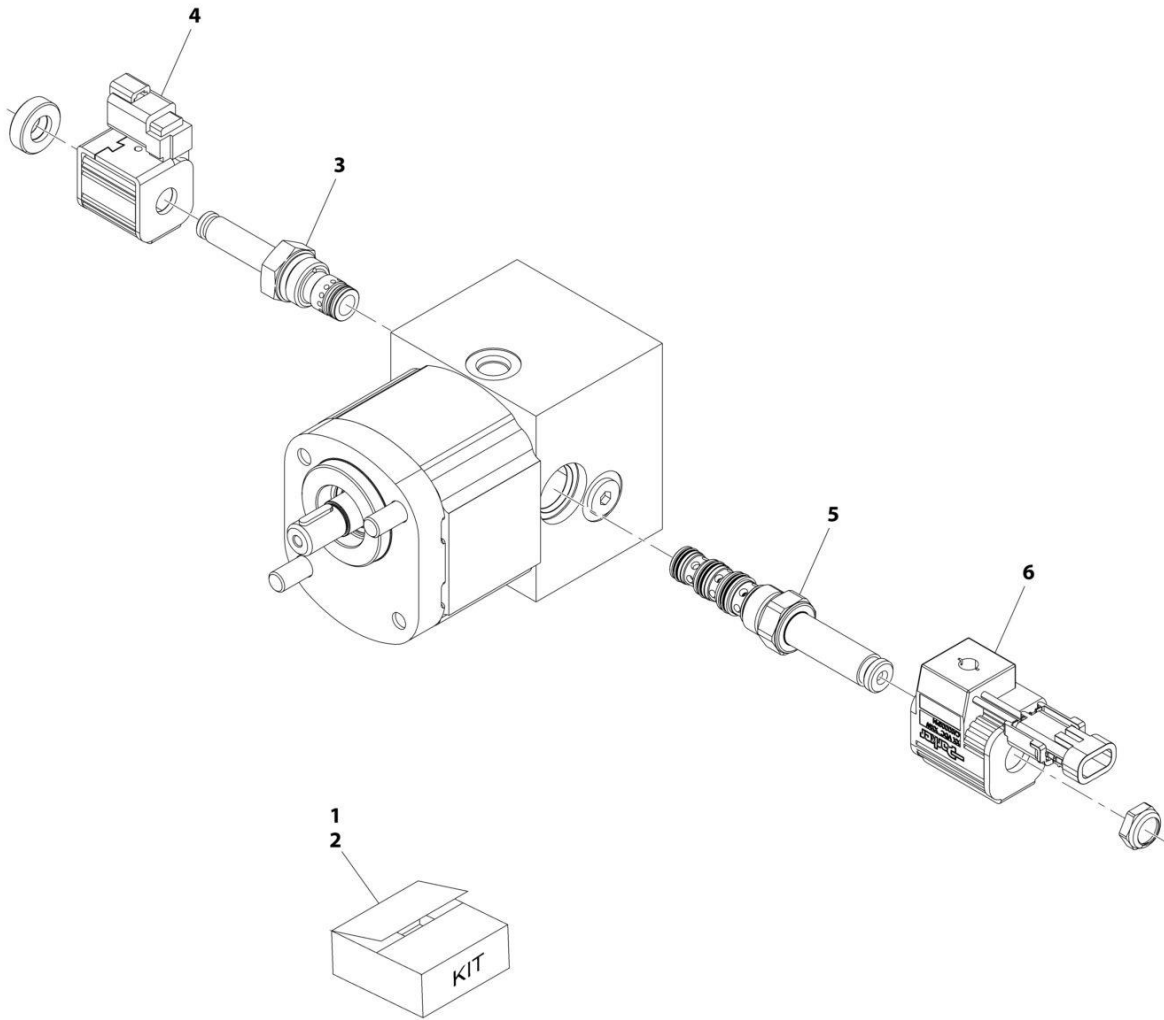
SECTION 9 - HYDRAULIC COMPONENTS

FIGURE 9-12. FAN MOTOR

ITEM	PART NUMBER	QTY	DESCRIPTION	REV
	1001141779	Ref	Fan Motor	C
1	70027400	1	Motor Seal Kit	
101	Kit	2	Seal	
102	Kit	2	Seal	
103	Kit	4	Seal	
104	Kit	4	Seal	
105	Kit	1	Seal	
106	Kit	1	Snap Ring	
2	70027401	1	Valve Seal Kit	
201	Kit	1	Seal	
202	Kit	1	Back-Up Ring	
203	Kit	1	Seal	
3	70027556	1	Proportional Valve	
4	70027557	1	Valve Coil	

SECTION 9 - HYDRAULIC COMPONENTS

FIGURE 9-13. FAN MOTOR, REVERSING



ART_1001141780-C

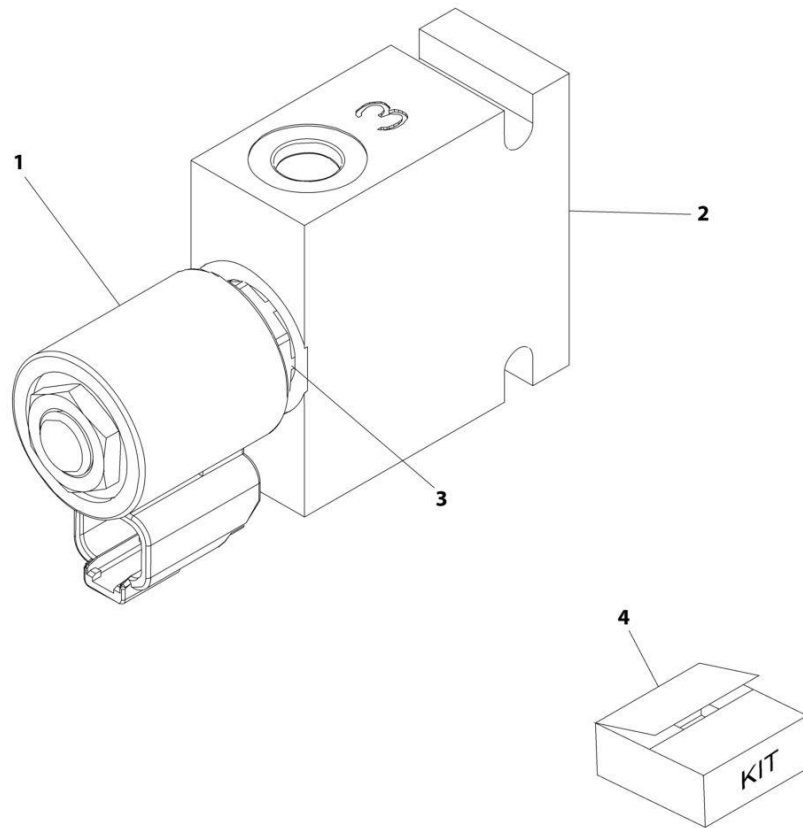
SECTION 9 - HYDRAULIC COMPONENTS

FIGURE 9-13. FAN MOTOR, REVERSING

ITEM	PART NUMBER	QTY	DESCRIPTION	REV
1	1001141780	Ref	Fan Motor	C
	70027400	1	Seal Kit, Motor	
	Kit	2	Seal	
	Kit	2	Seal	
	Kit	4	Seal	
	Kit	4	Seal	
	Kit	1	Seal	
	Kit	1	Snap Ring	
	2	70028239	1	
Kit		1	Seal, O-R	
Kit		1	Seal, O-R	
Kit		1	Seal, O-R	
Kit		1	Seal, O-R	
Kit		2	Seal, Bk-Up	
Kit		2	Seal, Bk-Up	
Kit		2	Seal, Bk-Up	
3	70027556	1	Proportional Valve	
4	70027557	1	Valve Coil	
5	70028240	1	Reversing Valve	
6	70028241	1	Valve Coil	

SECTION 9 - HYDRAULIC COMPONENTS

FIGURE 9-14. PARK BRAKE RELEASE VALVE



ART_1001080359-B

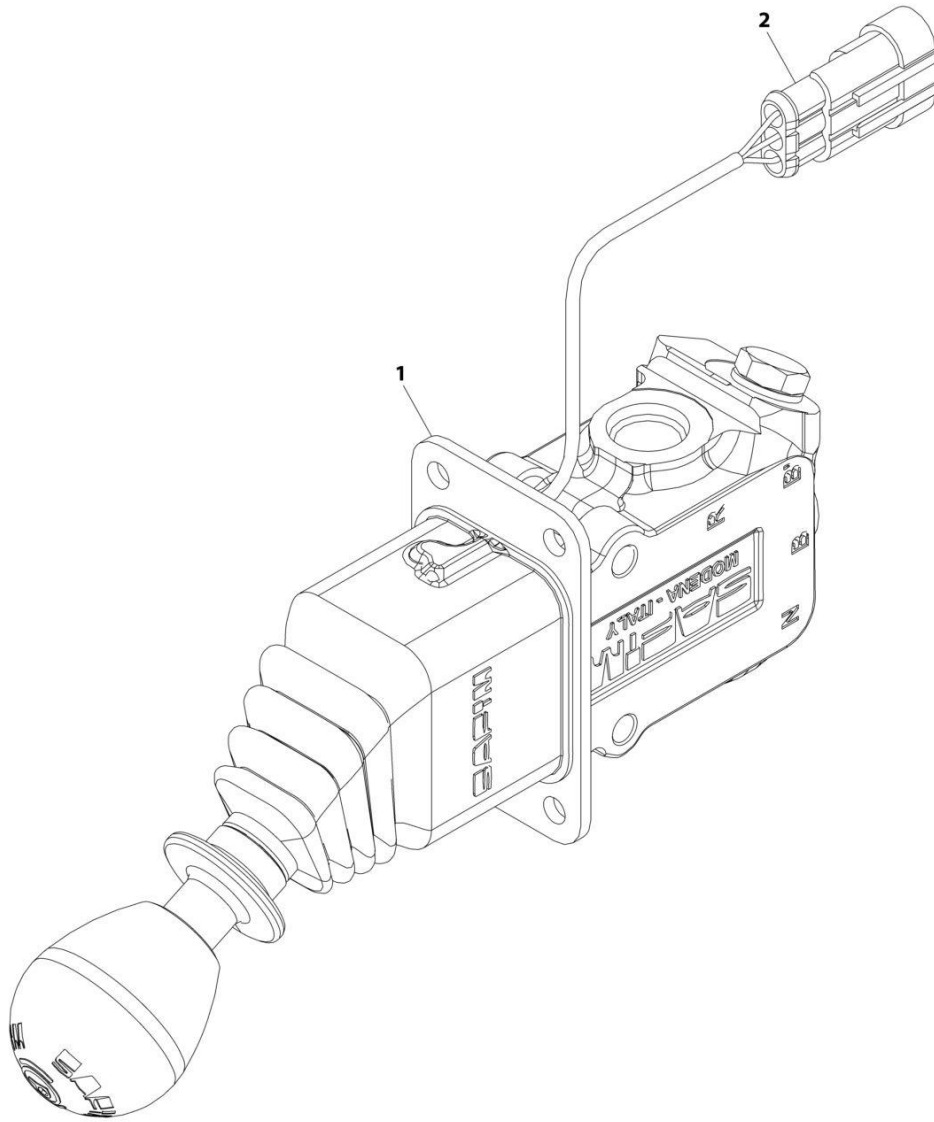
SECTION 9 - HYDRAULIC COMPONENTS

FIGURE 9-14. PARK BRAKE RELEASE VALVE

ITEM	PART NUMBER	QTY	DESCRIPTION	REV
	1001080359	Ref	Park Brake Release Valve	B
1	7012941	1	Cartridge	
2	70020871	1	Body	
3	7024872	1	Coil	
4	7010543	1	Seal Kit	

SECTION 9 - HYDRAULIC COMPONENTS

FIGURE 9-15. HYDRAULIC PARK BRAKE RELEASE VALVE



ART_1001098153-D

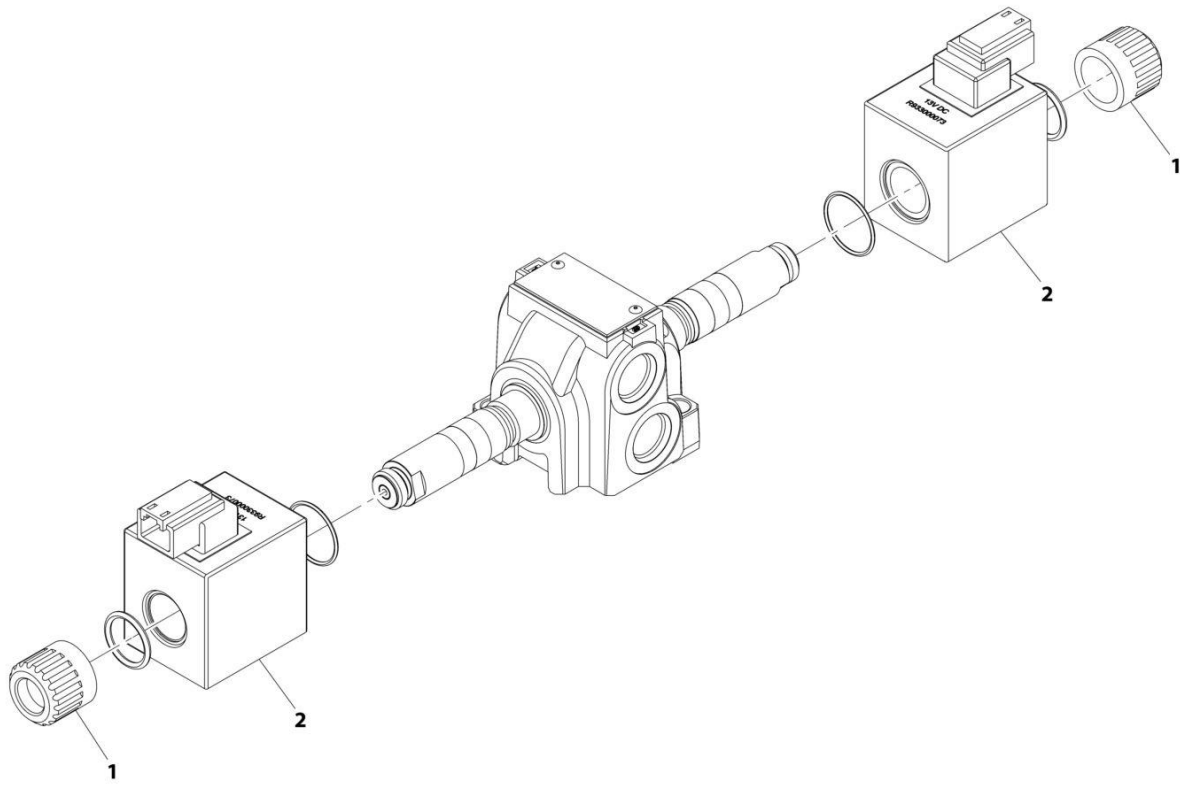
SECTION 9 - HYDRAULIC COMPONENTS

FIGURE 9-15. HYDRAULIC PARK BRAKE RELEASE VALVE

ITEM	PART NUMBER	QTY	DESCRIPTION	REV
	1001098153	Ref	Hydraulic Park Brake Release Valve - 4017RS	D
1	70020922	1	Kit, Seal	
2	70022847	1	Kit, Microswitch	

SECTION 9 - HYDRAULIC COMPONENTS

FIGURE 9-16. STEERING SELECT VALVE



ART_1001153748-C

SECTION 9 - HYDRAULIC COMPONENTS

FIGURE 9-16. STEERING SELECT VALVE

ITEM	PART NUMBER	QTY	DESCRIPTION	REV
	1001153748	Ref	Steering Select Valve	C
1	70020867	2	Nut, Coil	
2	70026582	2	Coil	

SECTION 9 - HYDRAULIC COMPONENTS

FIGURE 9-17. MAIN CONTROL VALVE (W/AUX)

INFORMATION IS NOT AVAILABLE AT THE TIME OF PUBLICATION

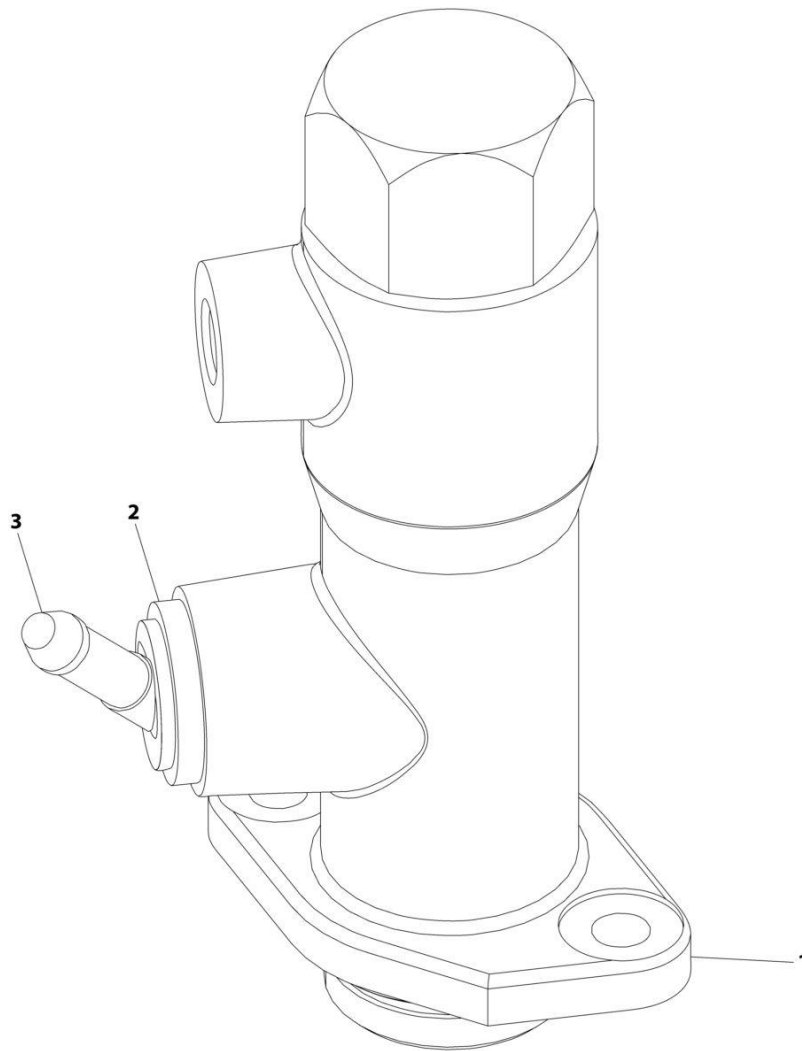
SECTION 9 - HYDRAULIC COMPONENTS

FIGURE 9-17. MAIN CONTROL VALVE (W/AUX)

ITEM	PART NUMBER	QTY	DESCRIPTION	REV
	1001080176	Ref	Main Control Valve (W/Aux)	D

SECTION 9 - HYDRAULIC COMPONENTS

FIGURE 9-18. BRAKE MASTER CYLINDER VALVE



ART_1001080262-C

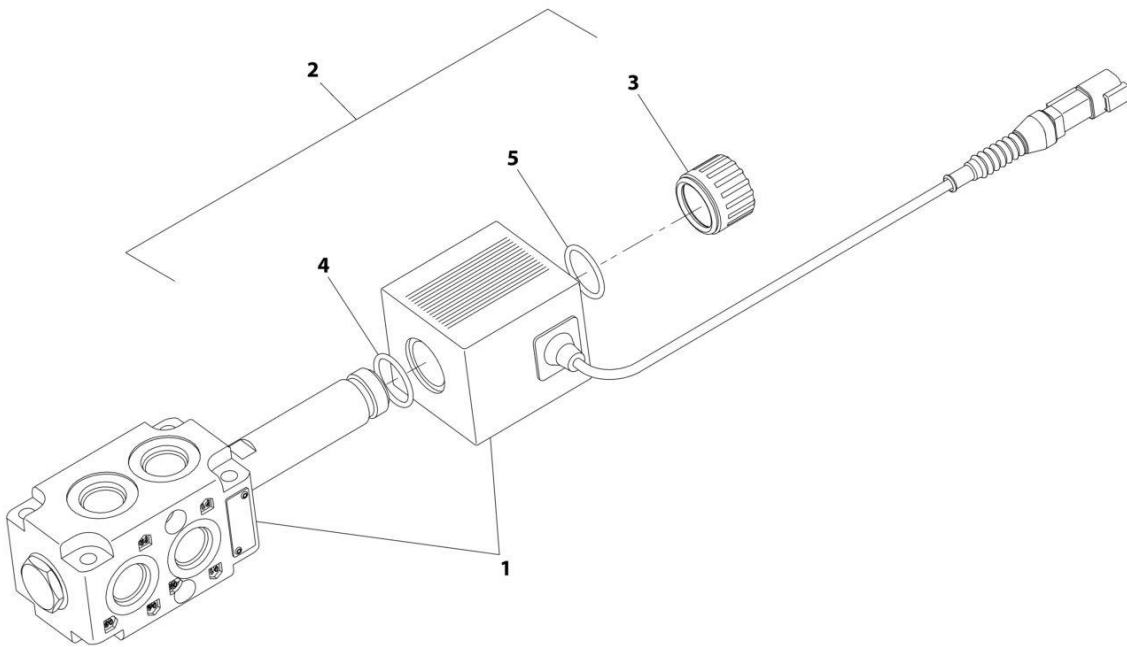
SECTION 9 - HYDRAULIC COMPONENTS

FIGURE 9-18. BRAKE MASTER CYLINDER VALVE

ITEM	PART NUMBER	QTY	DESCRIPTION	REV
	1001080262	Ref	Brake Master Cylinder Valve	C
1	70020919	1	Seal Kit	
2	70020920	1	Rubber Boot	
3	70021475	1	Fitting	

SECTION 9 - HYDRAULIC COMPONENTS

FIGURE 9-19. DIVERTOR VALVE



ART_1001104477-D

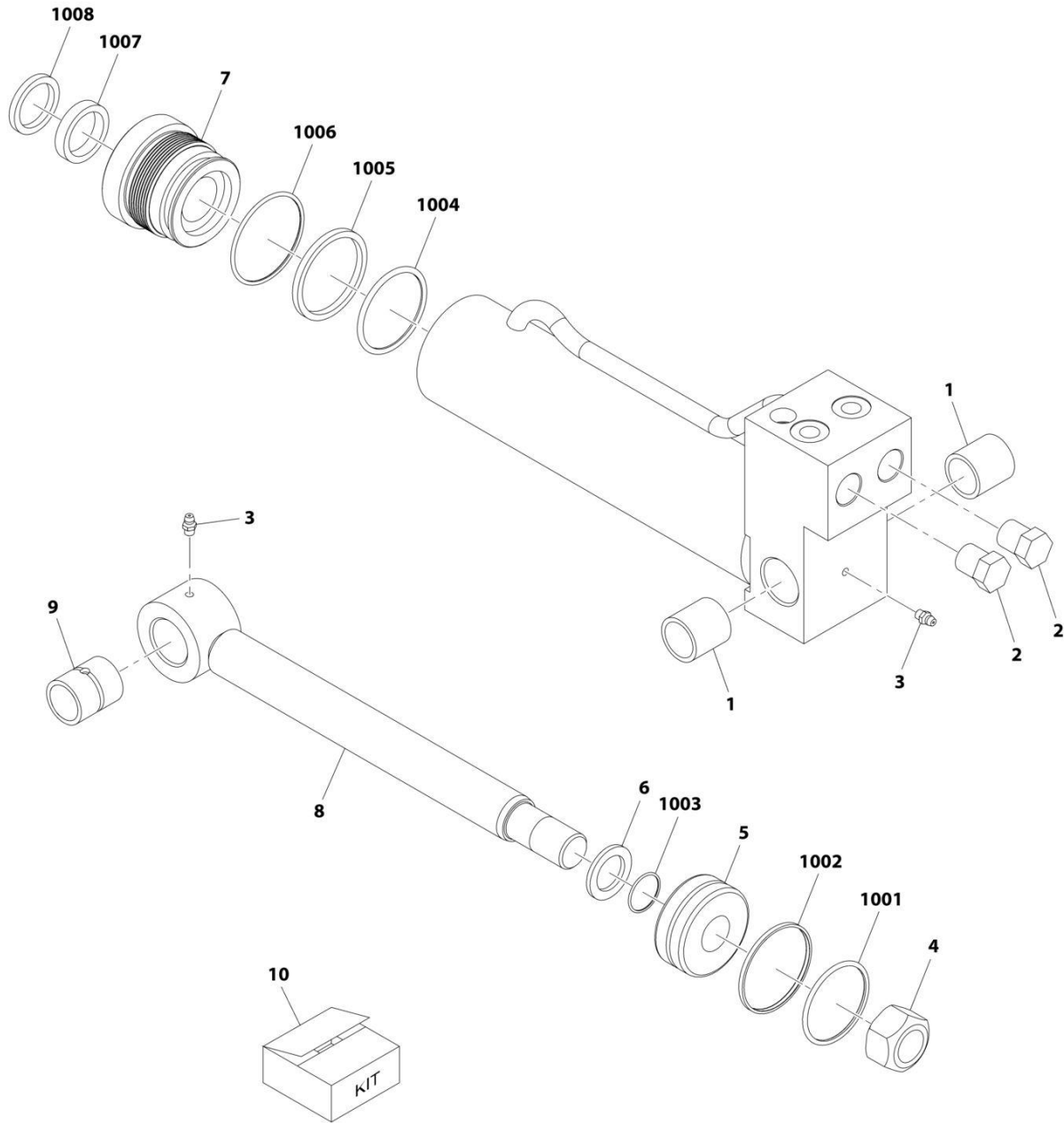
SECTION 9 - HYDRAULIC COMPONENTS

FIGURE 9-19. DIVERTOR VALVE

ITEM	PART NUMBER	QTY	DESCRIPTION	REV
	1001104477	Ref	Divertor Valve	D
1	70020764	1	Coil	
2	70021531	1	Kit, Retainer	
3	Kit	1	Nut	
4	Kit	1	O-Ring	
5	Kit	1	O-Ring	

SECTION 9 - HYDRAULIC COMPONENTS

FIGURE 9-20. SIDE TILT CARRIAGE CYLINDER



ART_70021363-A

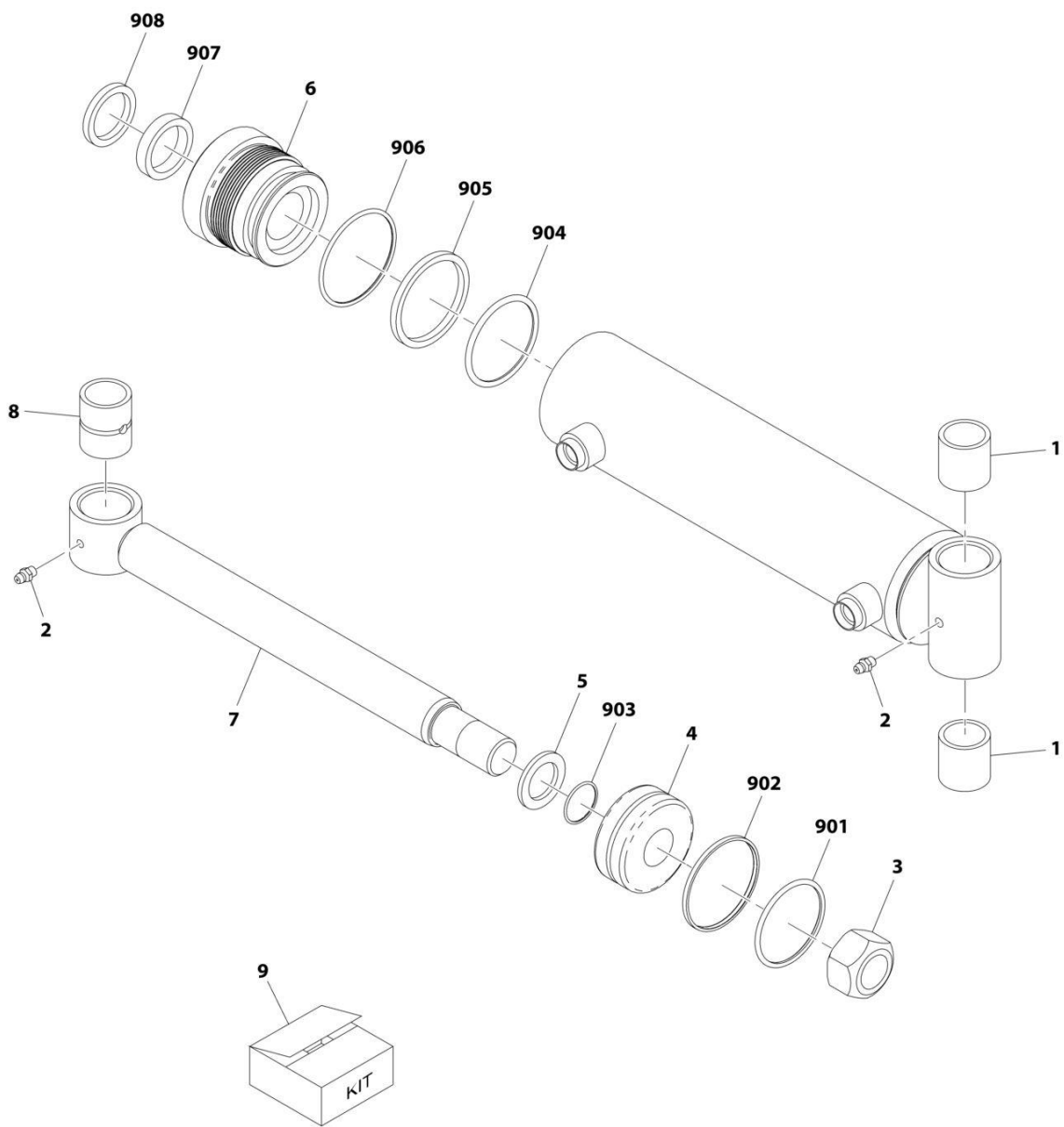
SECTION 9 - HYDRAULIC COMPONENTS

FIGURE 9-20. SIDE TILT CARRIAGE CYLINDER

ITEM	PART NUMBER	QTY	DESCRIPTION	REV
	70021363	Ref	Side Tilt Carriage Cylinder	A
1	70021448	2	Bushing	
2	70021464	2	Valve Cartridge	
3	90554045	2	Grease Fitting	
4	70021440	1	Nut	
5	70021451	1	Piston	
6	70021444	1	Washer	
7	70021446	1	Gland	
8	70029441	1	Rod	
9	70021447	1	Bushing	
10	70021452	1	Seal Kit, (includes items 1001 thru 1008)	
1001	Kit	1	Piston Ring	
1002	Kit	1	O-Ring	
1003	Kit	1	O-Ring	
1004	Kit	1	O-Ring	
1005	Kit	1	Back-Up Ring	
1006	Kit	1	O-Ring	
1007	Kit	1	Polypak, Type B	
1008	Kit	1	Rod Wiper	

SECTION 9 - HYDRAULIC COMPONENTS

FIGURE 9-21. UNIVERSAL SIDE SHIFT CYLINDER



ART_70022108-A

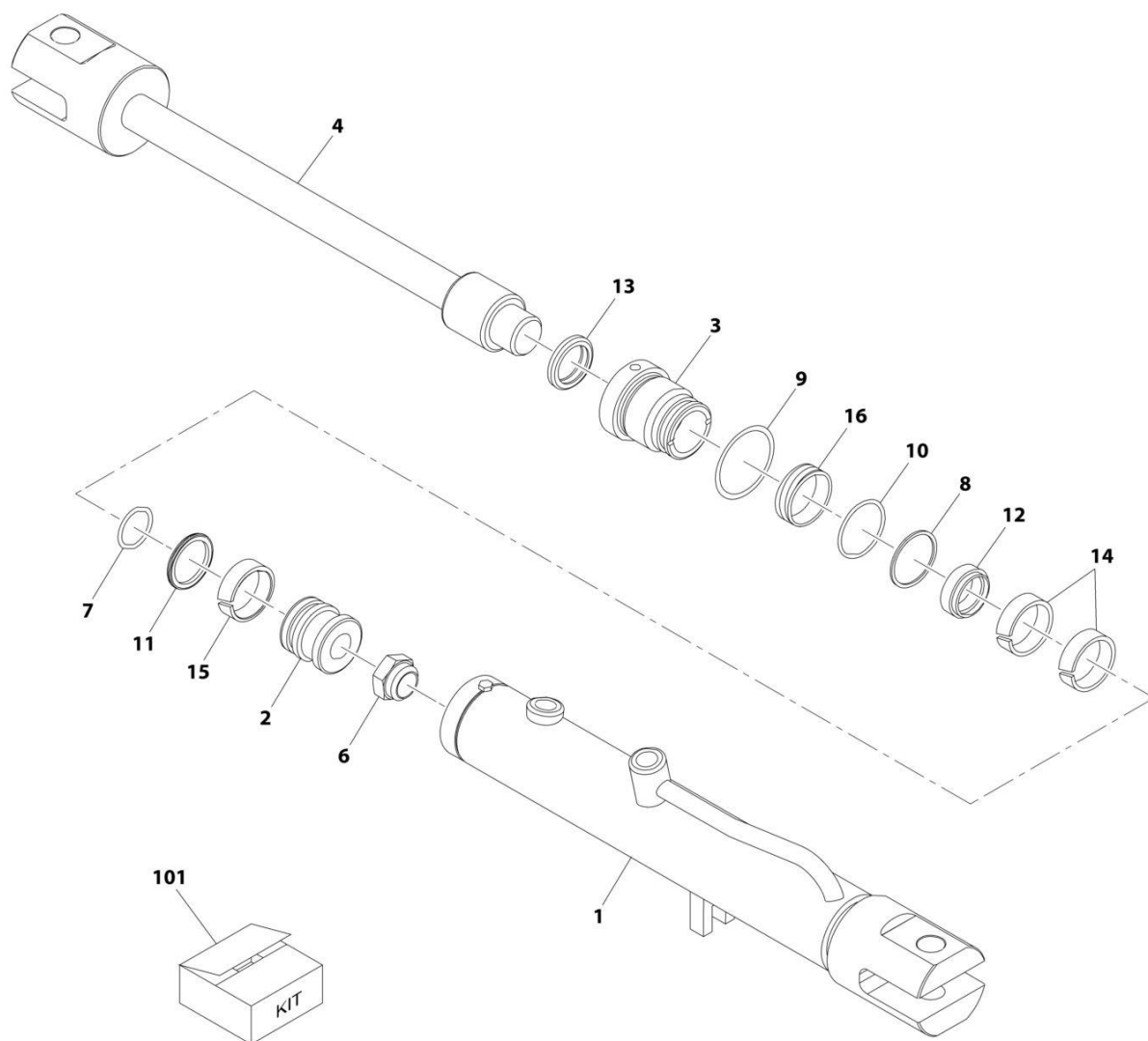
SECTION 9 - HYDRAULIC COMPONENTS

FIGURE 9-21. UNIVERSAL SIDE SHIFT CYLINDER

ITEM	PART NUMBER	QTY	DESCRIPTION	REV
	70022108	Ref	Universal Side Shift Cylinder	A
1	70021448	2	Bushing	
2	90554045	2	Grease Fitting	
3	70021440	1	Nut	
4	70021451	1	Piston	
5	70021444	1	Washer	
6	70021446	1	Gland	
7	70021462	1	Rod	
8	70021447	1	Bushing	
9	70021452	1	Seal Kit, (includes items 901 thru 908)	
901	Kit	1	O-Ring	
902	Kit	1	Back-up O-Ring	
903	Kit	1	O-Ring	
904	Kit	1	O-Ring	
905	Kit	1	O-Ring	
906	Kit	1	Seal	
907	Kit	1	O-Ring	
908	Kit	1	Seal	

SECTION 9 - HYDRAULIC COMPONENTS

FIGURE 9-22. FORK LOCKING CYLINDER



ART_1001080334-D

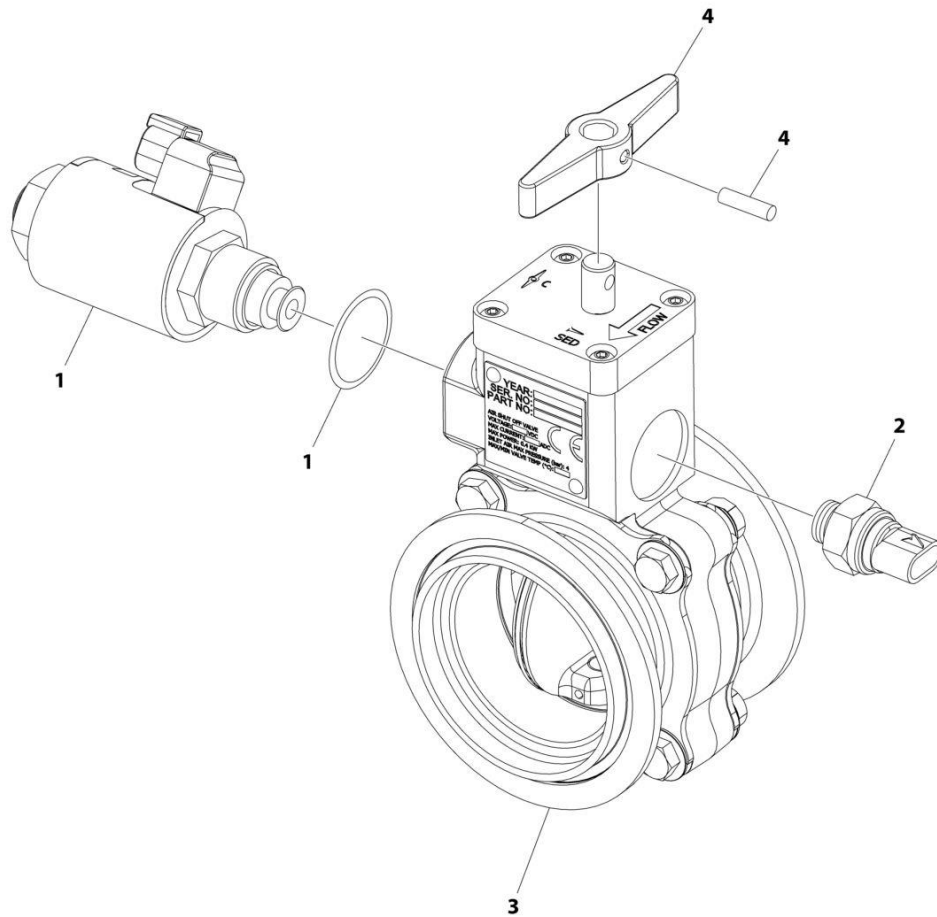
SECTION 9 - HYDRAULIC COMPONENTS

FIGURE 9-22. FORK LOCKING CYLINDER

ITEM	PART NUMBER	QTY	DESCRIPTION	REV
	1001080334	Ref	Fork Locking Cylinder	D
1	70021270	1	Case Assembly	
2	70021271	1	Piston	
3	70021272	1	Head Gland	
4	70021273	1	Rod	
6	70021275	1	Locknut	
7	Kit	1	O-Ring	
8	Kit	1	O-Ring	
9	Kit	1	O-Ring	
10	Kit	1	Back-Up Ring	
11	Kit	1	Diso-Pac	
12	Kit	1	Deep Z-Seal	
13	Kit	1	Rod Wiper	
14	Kit	2	Precision Wearband	
15	Kit	1	Precision Wearband	
16	Kit	1	Locking Insert	
101	70021276	1	Seal Kit, (includes items 7 thru 16)	

SECTION 9 - HYDRAULIC COMPONENTS

FIGURE 9-23. AIR SHUT OFF VALVE



ART_1001204032_C

SECTION 9 - HYDRAULIC COMPONENTS

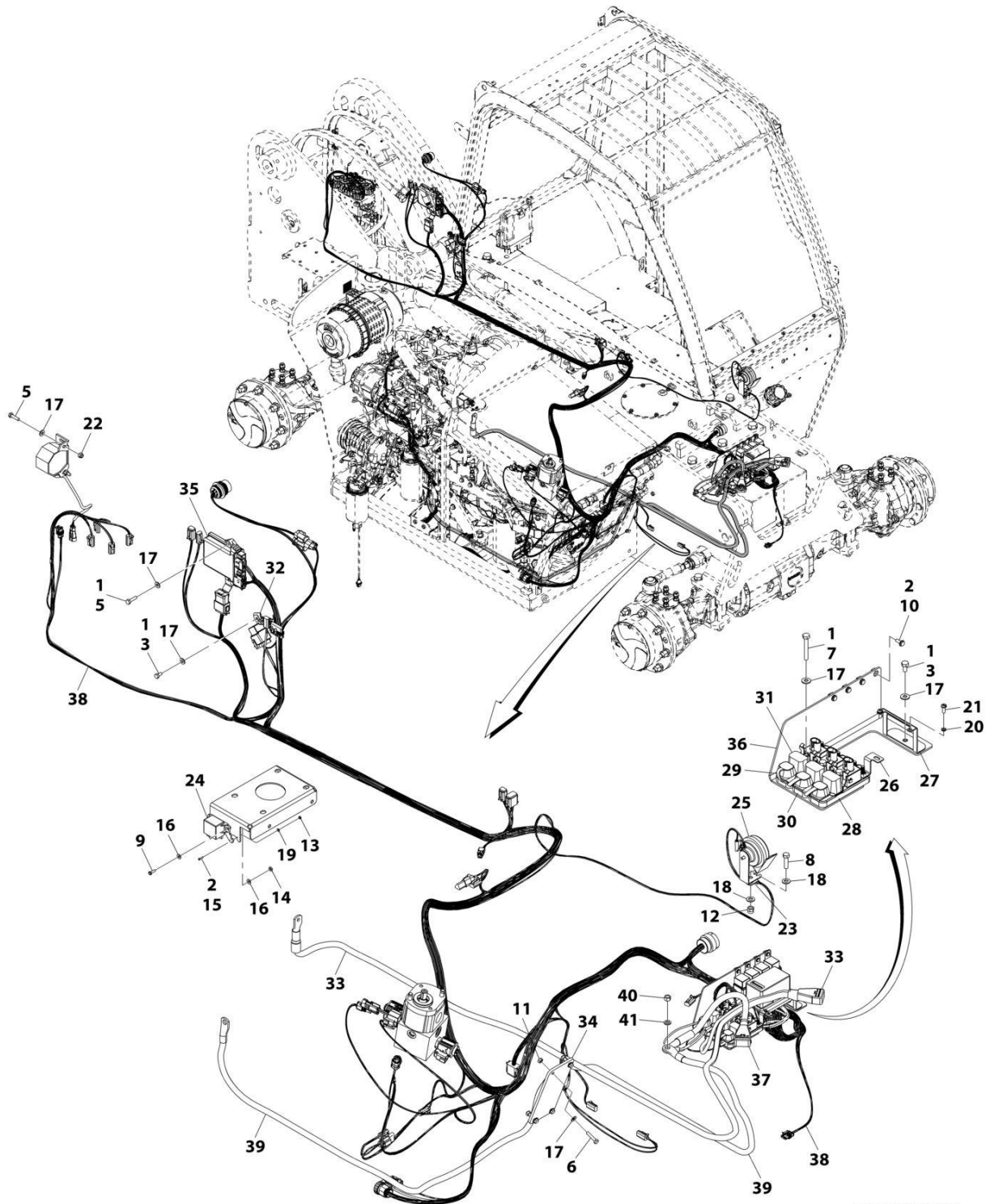
FIGURE 9-23. AIR SHUT OFF VALVE

ITEM	PART NUMBER	QTY	DESCRIPTION	REV
1	1001204032	Ref	Air Shut Off Valve	B
	70028514	1	Kit, Solenoid 12V	
	N.S.S.	1	Solenoid	
	N.S.S.	1	Coil, 12V	
	N.S.S.	1	O-Ring	
2	70028515	1	Kit, Switch	
	N.S.S.	1	Switch, Ball	
	N.S.S.	1	O-Ring	
3	70028516	1	Kit, Flange and Hardware	
	N.S.S.	1	Flange, Female	
	N.S.S.	1	Flange, Male	
	N.S.S.	4	Bolt	
	N.S.S.	8	Washer	
	N.S.S.	4	Locknut	
	N.S.S.	1	Pin	
4	70028517	1	Handle	
	N.S.S.	1	Handle, Reset	
	N.S.S.	1	Pin	

SECTION 10 - ELECTRICAL

SECTION 10 - ELECTRICAL

FIGURE 10-1. MAIN ELECTRICAL INSTALLATION



ART_1001200612-F

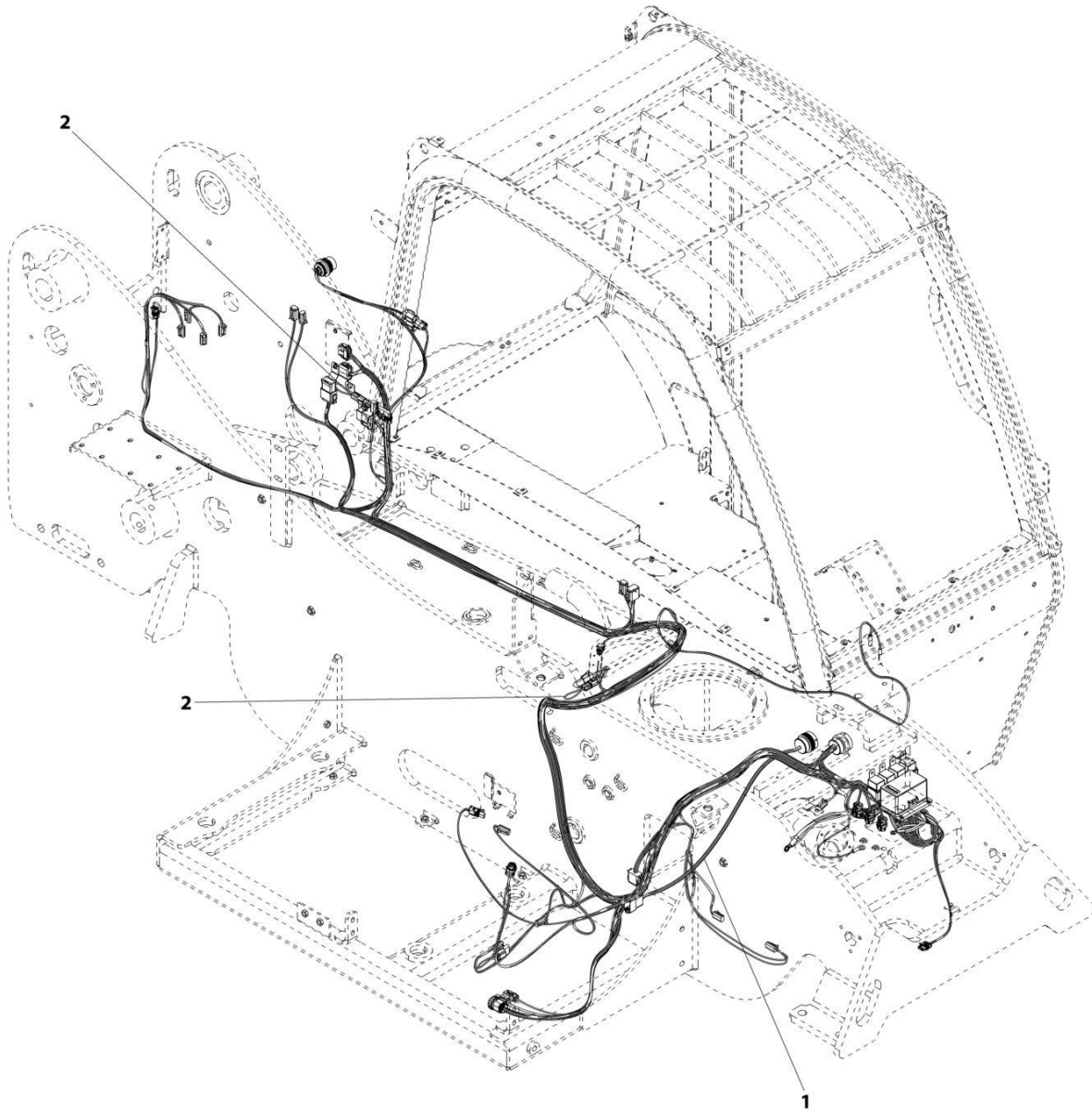
SECTION 10 - ELECTRICAL

FIGURE 10-1. MAIN ELECTRICAL INSTALLATION

ITEM	PART NUMBER	QTY	DESCRIPTION	REV
	1001200612	Ref	Main Electrical Installation	F
1	0100011	AR	Loctite 242	
2	0100035	AR	Loctite 222	
3	0641404	2	Hex HD Capscrew, 1/4-20X1/2, GR5	
5	0641408	4	Hex HD Capscrew, 1/4-20X1, GR5	
6	0641410	4	Hex HD Capscrew, 1/4-20X1-1/4	
7	0641415	3	Hex HD Capscrew, 1/4-20X1-7/8, GR5	
8	0641611	1	Hex HD Capscrew, 3/8-16X1-3/8, GR5	
9	0721005	2	Screw	
10	0791004	4	Screw	
11	3271405	4	Hex Locknut, 1/4-20, GR8	
12	3300143	1	Hex Locknut, 3/8-16	
13	3310401	3	Hex Nut, 4-40, GR2	
14	3311001	2	Hex Nut, 10-24, GR2	
15	3910408	3	Screw, 4-40X1/2	
16	4711000	4	Washer	
17	4711400	13	Washer, 1/4	
18	4711600	2	Washer, 3/8	
19	4750400	3	Washer, #4	
20	4761000	2	Lockwasher	
21	8303839	2	Screw, #10-32X1/2	
22	8305624	2	Nut	
23	8406003	1	Clip	
24	77383377	1	Starter Relay	
25	91143357	1	Horn	
26	1001080409	1	Bus Bar	
27	1001080410	1	Bracket	
28	1001080424	1	Yellow Power Module Relay	
29	1001092585	1	Bus Bar Insulator	
30	1001127589	1	Red Power Module Relay	
31	1001141066	1	Green Power Module Relay	
32	1001141581	1	Connector Mount	
33	1001149466	1	Positive Battery Cable	
34	1001156314	1	Plate	
35	1001196254	1	Control Module	
36	1001201252	1	Mount, Electrical Components	
37	1001080619	1	Negative Battery Cable	
38	1001140634	1	Frame Harness, (See Separate Breakdown in this Section)	
39	1001209102	1	Ground Cable	
40	3271601	1	Hex Nut, 3/8-16	
41	4761600	1	Lockwasher, 3/8	

SECTION 10 - ELECTRICAL

FIGURE 10-2. FRAME OPTIONS HARNESS INSTALLATION



ART_1001143556-C

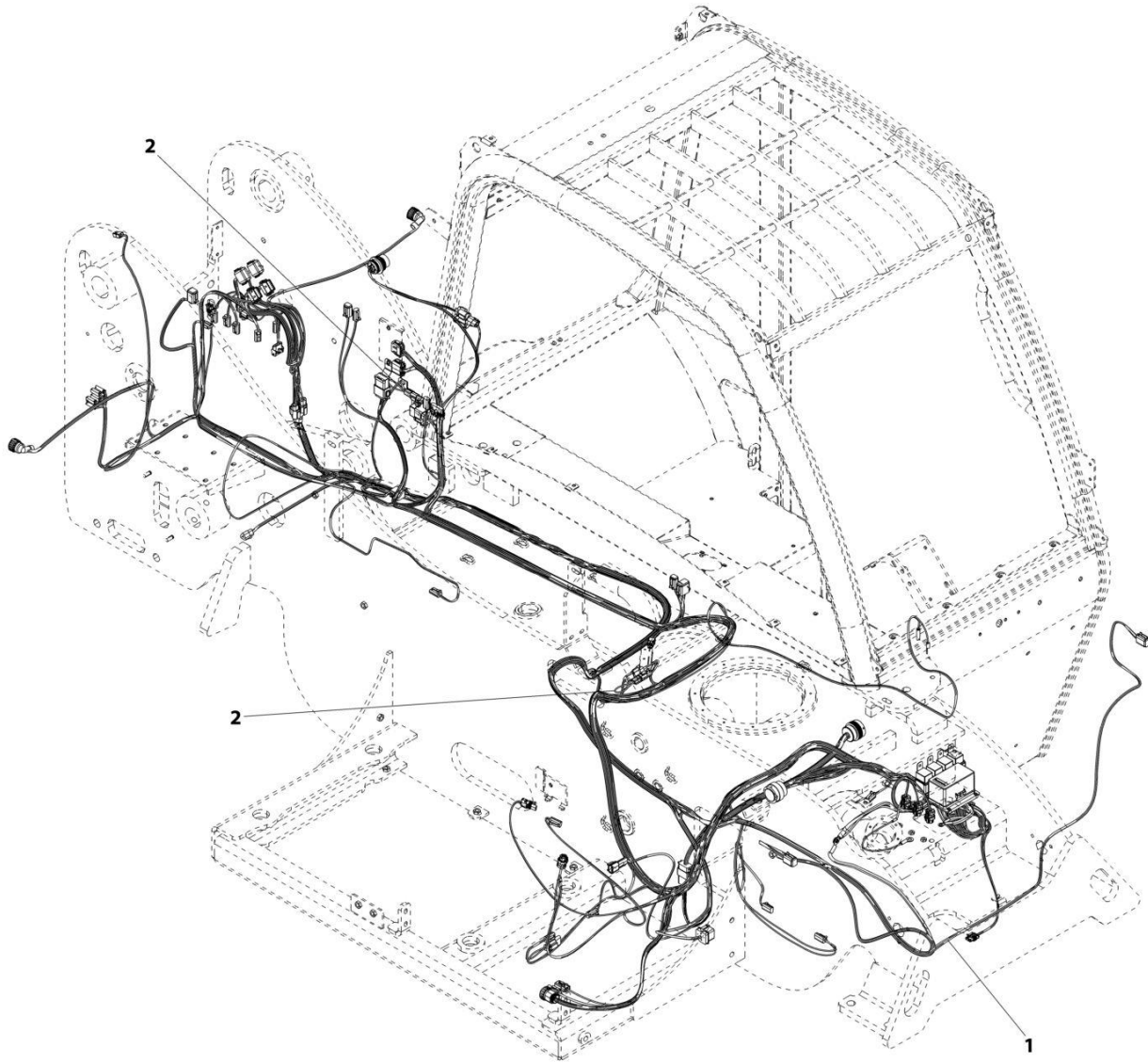
SECTION 10 - ELECTRICAL

FIGURE 10-2. FRAME OPTIONS HARNESS INSTALLATION

ITEM	PART NUMBER	QTY	DESCRIPTION	REV
	1001143556	Ref	Frame Options Harness Installation	C
1	1001142011	1	Frame Base Jumper Harness (See Separate Breakdown in this Section)	
2	1001122280	2	Function Jumper Harness (See Separate Breakdown in this Section)	

SECTION 10 - ELECTRICAL

FIGURE 10-3. FRAME OPTIONS HARNESS INSTALLATION (ANSI)



ART_1001143552-C

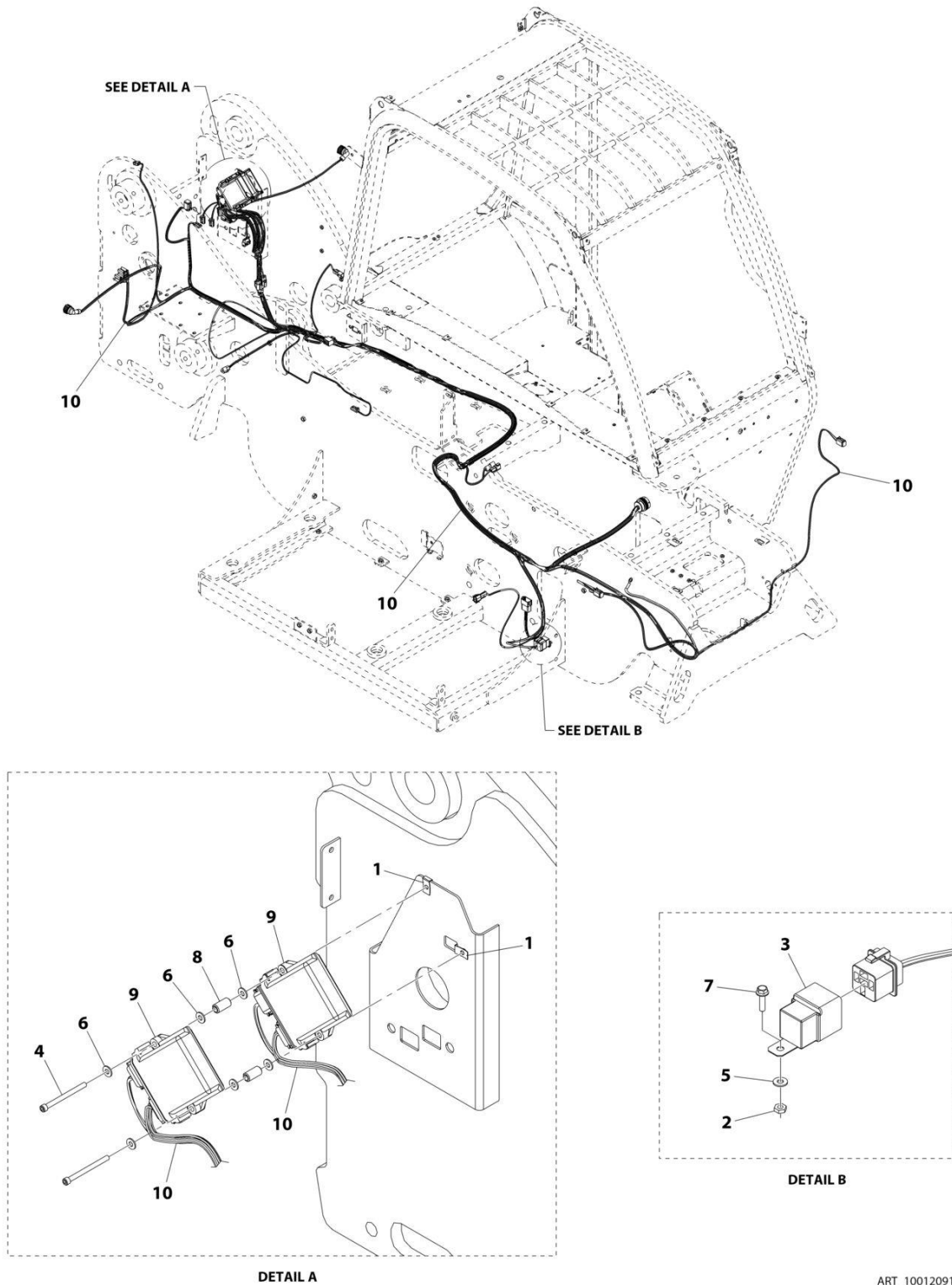
SECTION 10 - ELECTRICAL

FIGURE 10-3. FRAME OPTIONS HARNESS INSTALLATION (ANSI)

ITEM	PART NUMBER	QTY	DESCRIPTION	REV
	1001143552	Ref	Frame Options Harness Installation (ANSI)	C
1	1001140635	1	Frame Option Harness (See Separate Breakdown in this Section)	
2	1001122280	2	Function Jumper Harness (See Separate Breakdown in this Section)	

SECTION 10 - ELECTRICAL

FIGURE 10-4. FRAME OPTIONS HARNESS INSTALLATION (CE)



ART_1001209103-B

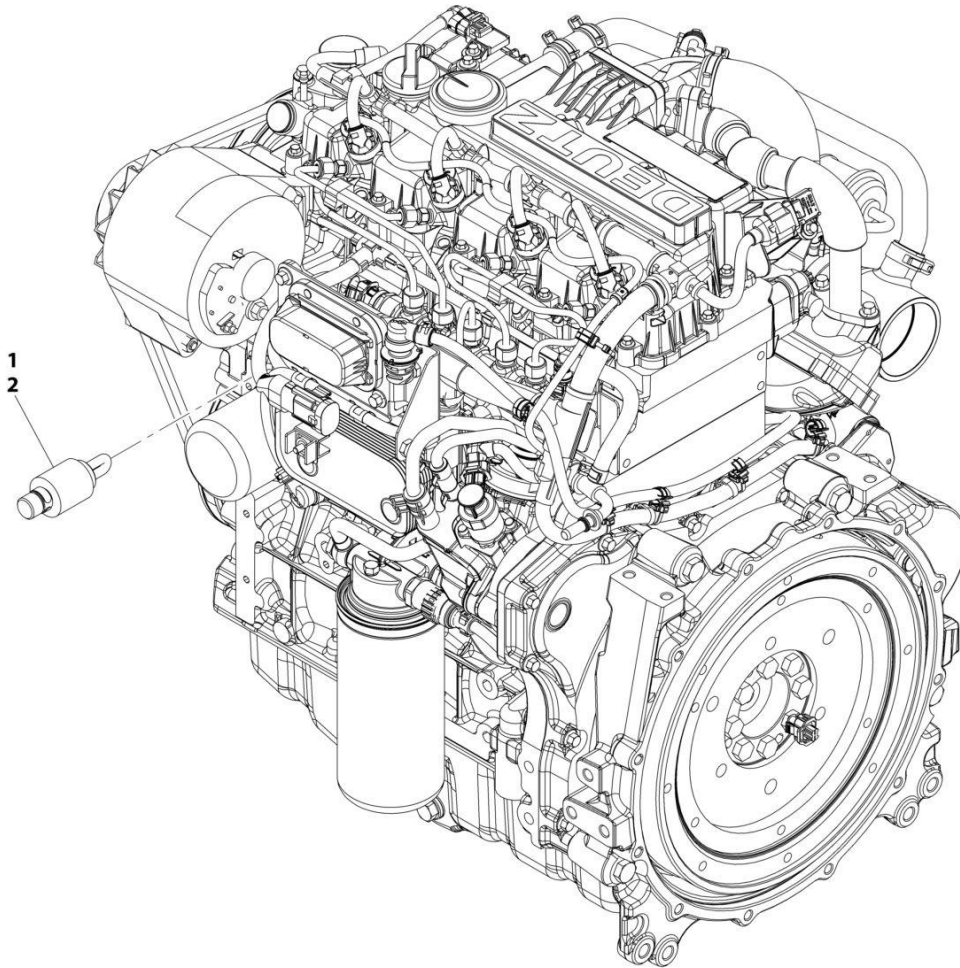
SECTION 10 - ELECTRICAL

FIGURE 10-4. FRAME OPTIONS HARNESS INSTALLATION (CE)

ITEM	PART NUMBER	QTY	DESCRIPTION	REV
	1001209103	Ref	Frame Options Harness Installation (CE)	B
1	3300454	2	Special Nut	
2	3311001	1	Hex Nut, 10-24, GR2	
3	3740080	1	Weather Proof Relay	
4	3931448	2	Socket HD Capscrew, 1/4-20X3	
5	4711000	1	Washer, #10	
6	4711400	6	Washer, 1/4	
7	77143016	1	Screw, #10-24X3/4	
8	88631566	2	Roll Pin	
9	1001226247	2	LSI Module	
10	1001140635	1	Frame Option Harness (See Separate Breakdown in this Section)	

SECTION 10 - ELECTRICAL

FIGURE 10-5. BLOCK HEATER INSTALLATION (ANSI)



ART_1001139683-B

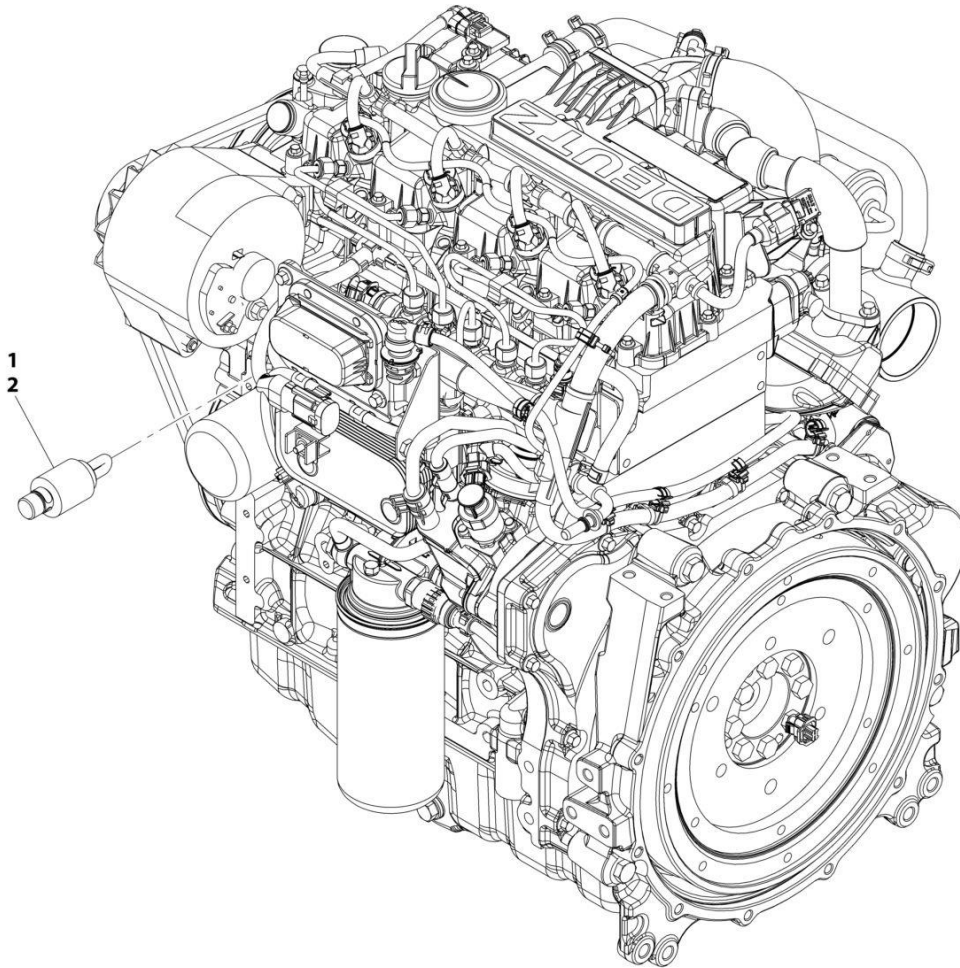
SECTION 10 - ELECTRICAL

FIGURE 10-5. BLOCK HEATER INSTALLATION (ANSI)

ITEM	PART NUMBER	QTY	DESCRIPTION	REV
	1001139683	Ref	Block Heater Installation (ANSI)	B
1	1001095650	AR	Loctite 243	
2	1001140312	1	Block Heater	

SECTION 10 - ELECTRICAL

FIGURE 10-6. BLOCK HEATER INSTALLATION (CE)



ART_1001159207-A

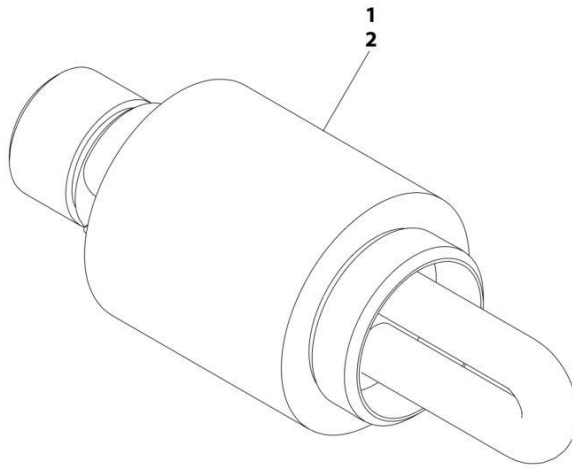
SECTION 10 - ELECTRICAL

FIGURE 10-6. BLOCK HEATER INSTALLATION (CE)

ITEM	PART NUMBER	QTY	DESCRIPTION	REV
	1001159207	Ref	Block Heater Installation (CE)	A
1	1001095650	AR	Locking Compound	
2	1001159206	1	Block Heater	

SECTION 10 - ELECTRICAL

FIGURE 10-7. BLOCK HEATER INSTALLATION (115V) (LS)



ART_1001159206-A

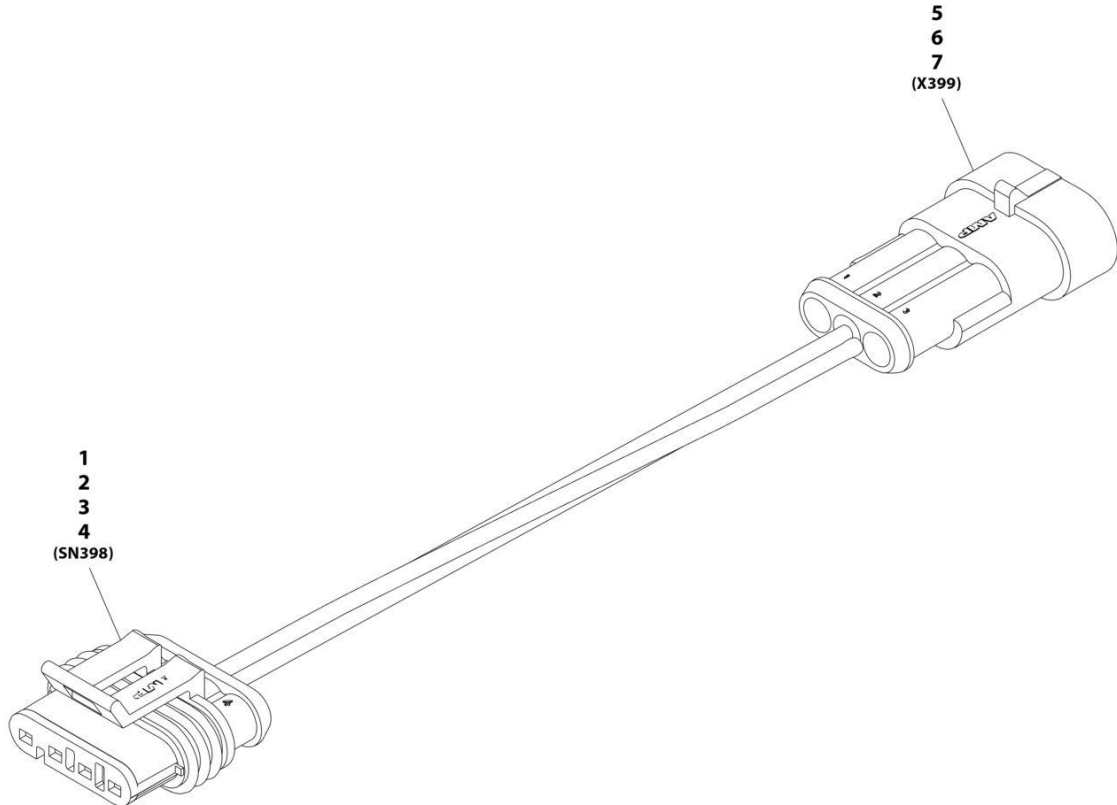
SECTION 10 - ELECTRICAL

FIGURE 10-7. BLOCK HEATER INSTALLATION (115V) (LS)

ITEM	PART NUMBER	QTY	DESCRIPTION	REV
	1001159206	Ref	Block Heater Installation (115V) (LS)	A
1	1001159204	1	Block Heater	
2	1001159205	1	Cable	

SECTION 10 - ELECTRICAL

FIGURE 10-8. SPEED SENSOR JUMPER HARNESS



ART_1001234992-B

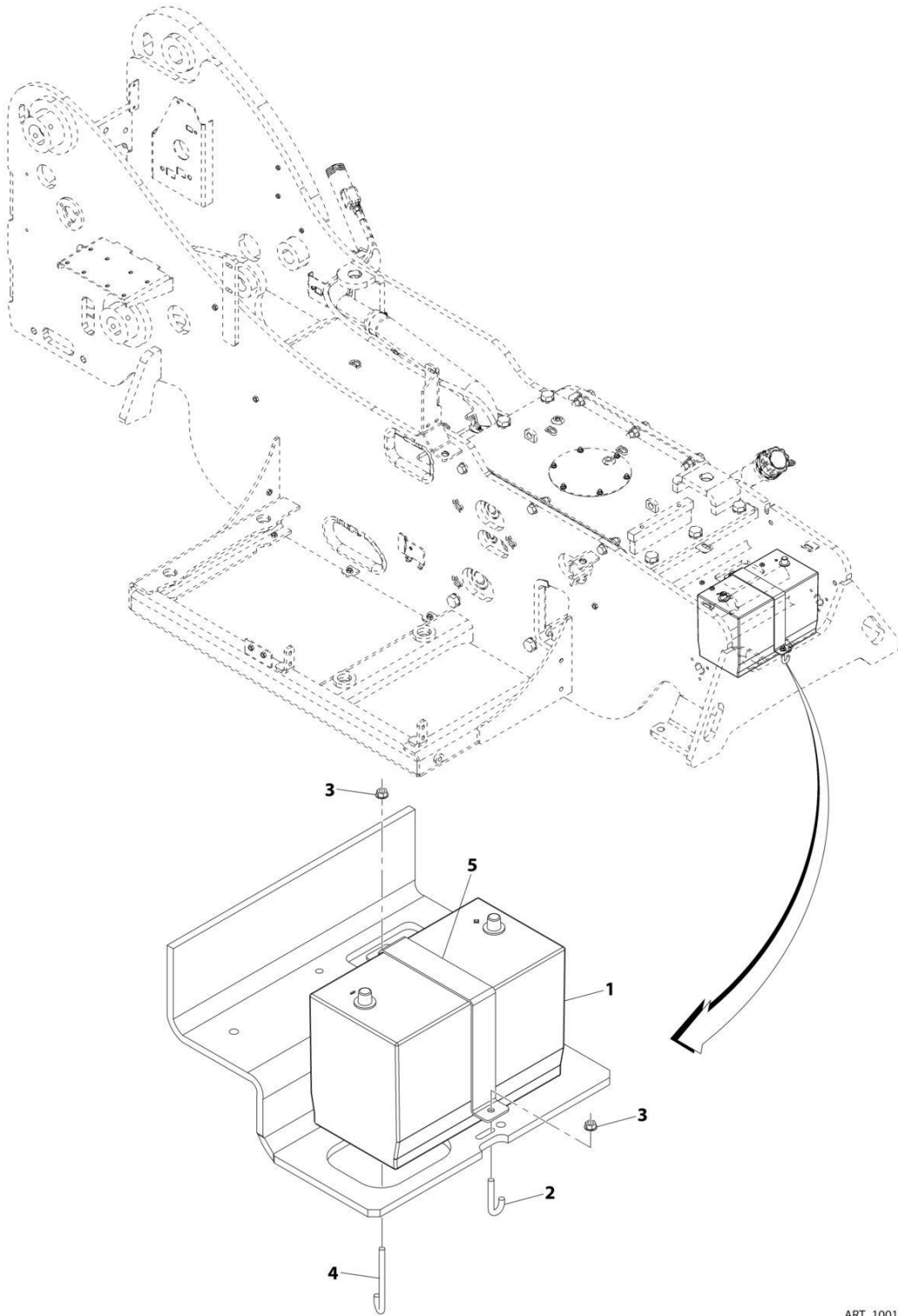
SECTION 10 - ELECTRICAL

FIGURE 10-8. SPEED SENSOR JUMPER HARNESS

ITEM	PART NUMBER	QTY	DESCRIPTION	REV
	1001234992	Ref	Speed Sensor Jumper Harness	B
1	1001103012	1	Connector	
2	1001107854	3	Terminal	
3	1001116698	1	Plug	
4	1001104498	3	Seal	
5	4461119	1	Connector	
6	1001104497	3	Terminal	
7	1001104498	3	Seal	

SECTION 10 - ELECTRICAL

FIGURE 10-9. BATTERY INSTALLATION



ART_1001200613-A

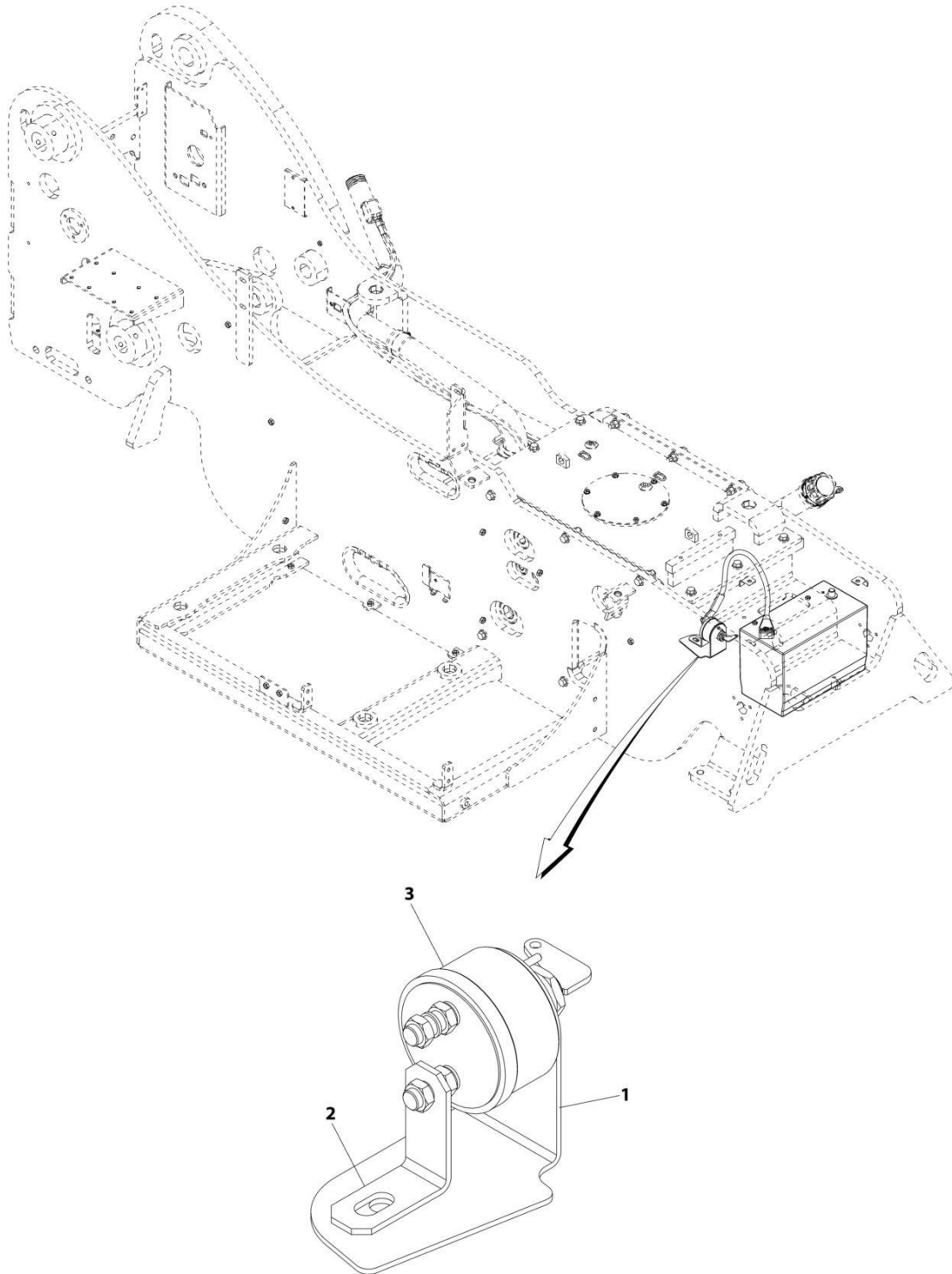
SECTION 10 - ELECTRICAL

FIGURE 10-9. BATTERY INSTALLATION

ITEM	PART NUMBER	QTY	DESCRIPTION	REV
	1001200613	Ref	Battery Installation	A
1	0400075	1	12V Battery	
2	0630455	1	J-Bolt	
3	3311508	2	Hex Nut, 5/16-18	
4	1001081123	1	J-Bolt	
5	1001112697	1	Plate	

SECTION 10 - ELECTRICAL

FIGURE 10-10. BATTERY DISCONNECT SWITCH INSTALLATION



ART_1001201826-A

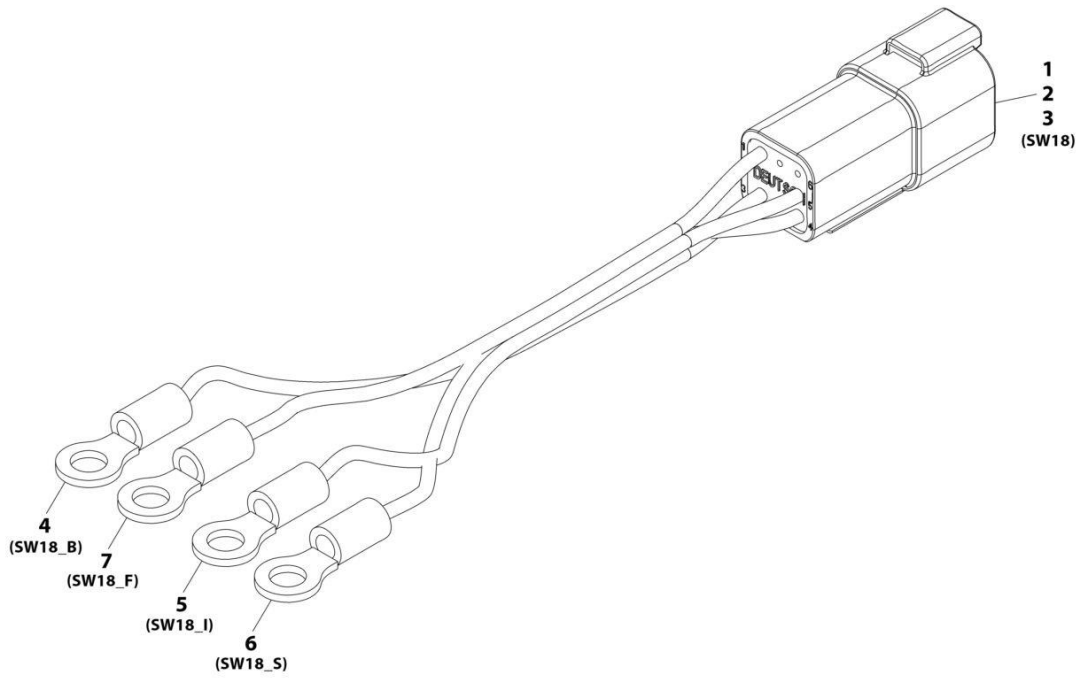
SECTION 10 - ELECTRICAL

FIGURE 10-10. BATTERY DISCONNECT SWITCH INSTALLATION

ITEM	PART NUMBER	QTY	DESCRIPTION	REV
	1001201826	Ref	Battery Disconnect Switch Installation	A
1	1001135845	1	Bracket	
2	1001135846	1	Bar	
3	1001192142	1	Switch	

SECTION 10 - ELECTRICAL

FIGURE 10-11. START SWITCH JUMPER HARNESS



ART_1001100053-B

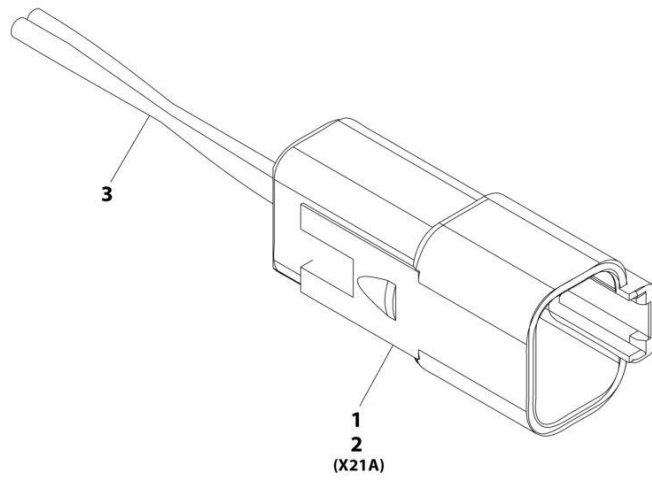
SECTION 10 - ELECTRICAL

FIGURE 10-11. START SWITCH JUMPER HARNESS

ITEM	PART NUMBER	QTY	DESCRIPTION	REV
	1001100053	Ref	Start Switch Jumper Harness	B
1	4460899	1	Connector	
2	4460464	4	Terminal	
3	4460466	2	Terminal	
4	4460042	1	Terminal Ring	
5	4460042	1	Terminal Ring	
6	4460042	1	Terminal Ring	
7	4460042	1	Terminal Ring	

SECTION 10 - ELECTRICAL

FIGURE 10-12. JUMPER HARNESS



ART_1001100966-B

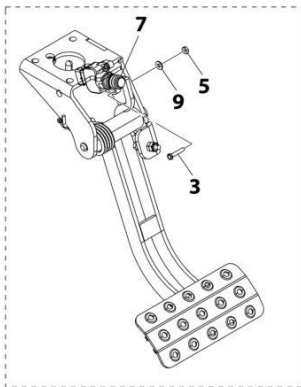
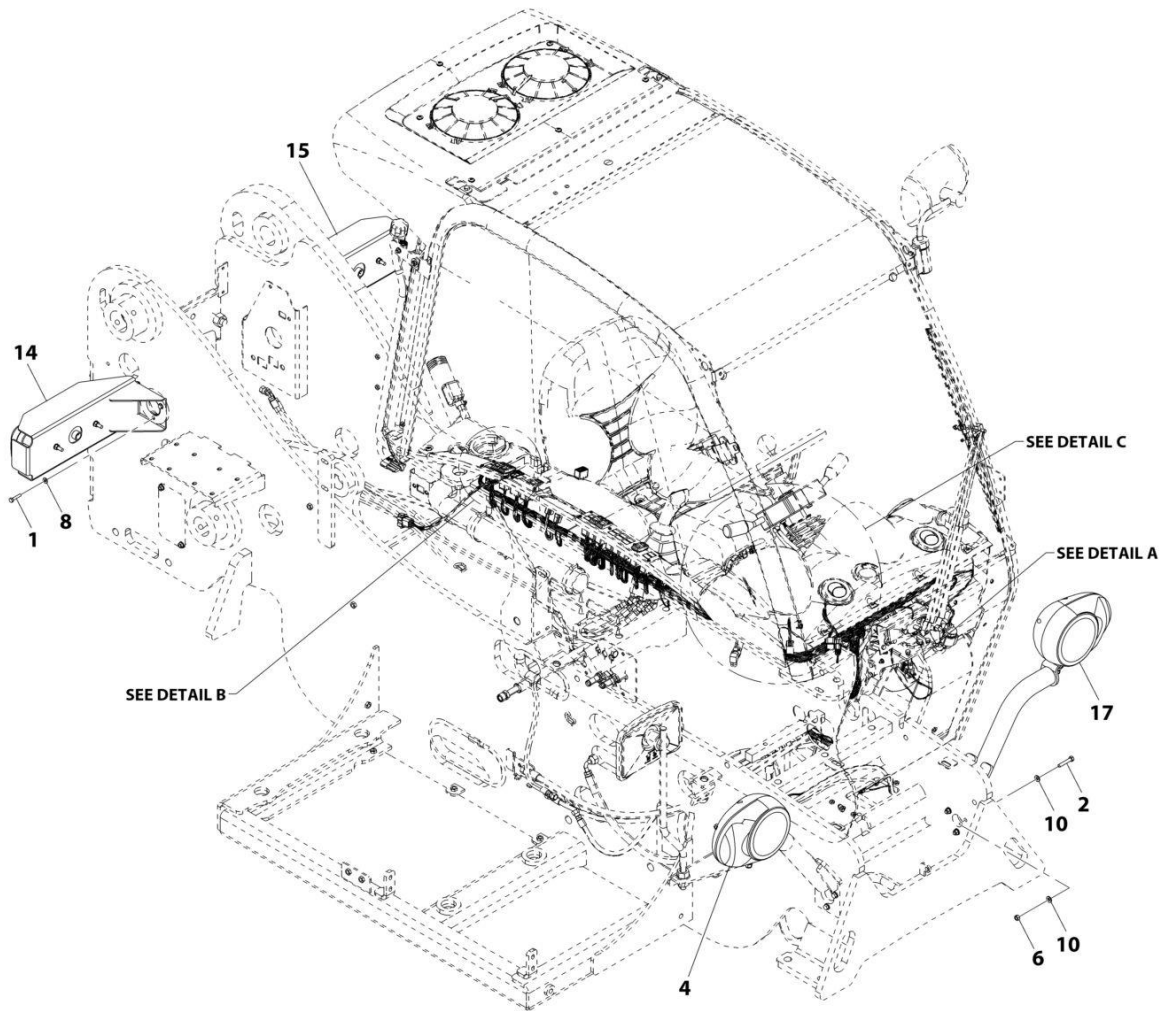
SECTION 10 - ELECTRICAL

FIGURE 10-12. JUMPER HARNESS

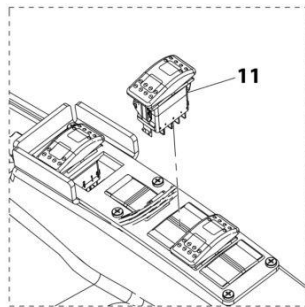
ITEM	PART NUMBER	QTY	DESCRIPTION	REV
	1001100966	Ref	Jumper Harness	B
1	4460464	4	Terminal	
2	4460932	1	Connector	
3	4920017	0.5 ft	Wire	

SECTION 10 - ELECTRICAL

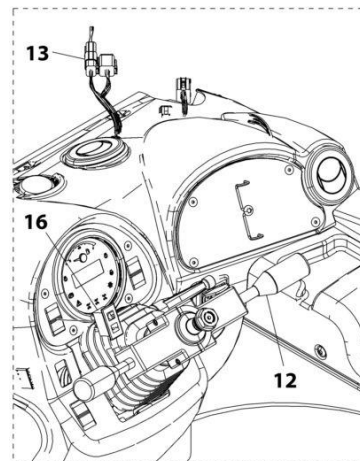
FIGURE 10-13. ROAD LIGHT INSTALLATION (ANSI)



DETAIL A



DETAIL B



DETAIL C

ART_1001233633-B

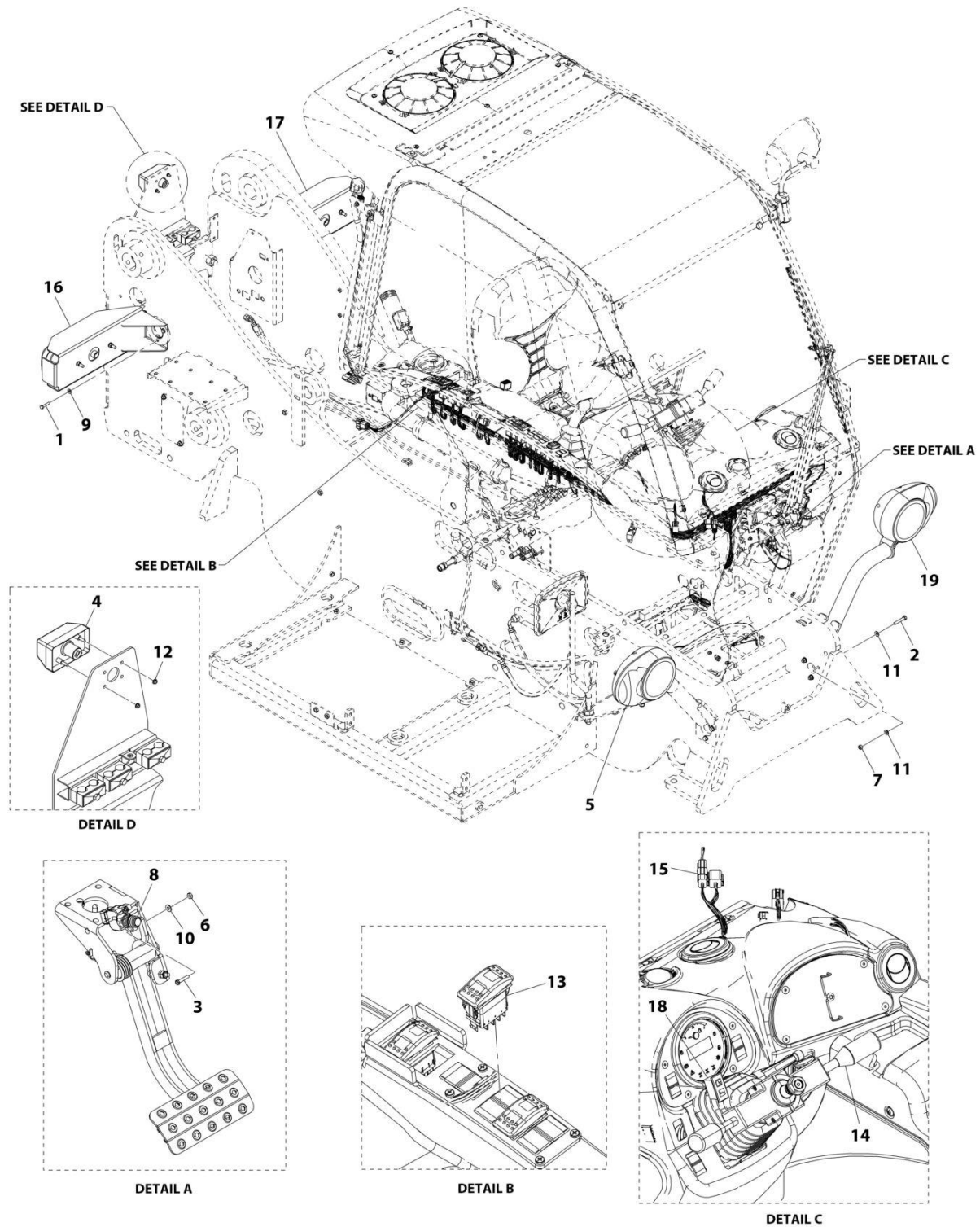
SECTION 10 - ELECTRICAL

FIGURE 10-13. ROAD LIGHT INSTALLATION (ANSI)

ITEM	PART NUMBER	QTY	DESCRIPTION	REV
	1001233633	Ref	Road Light Installation (ANSI)	B
1	0641410	6	Hex HD Capscrew, 1/4-20X1-1/4, GR5	
2	0641514	3	Hex HD Capscrew, 5/16-18X1-3/4, GR5	
3	0721008	2	Screw, 10-24X1	
4	2920208	1	RH Drive Light	
5	3311005	2	Hex Locknut	
6	3311505	3	Hex Locknut, 5/16-18, GR2	
7	4360658	1	Brake Light Switch	
8	4711400	6	Washer, 1/4	
9	4751000	2	Washer, M10	
10	4891500	6	Washer, 5/16	
11	1001080370	1	Hazard Light Switch	
12	1001080381	1	Turn Signal-Headlight Switch	
13	1001100965	1	Jumper Harness	
14	1001101533	1	RH Tail Light Installation (See Separate Breakdown in this Section)	
15	1001101534	1	LH Tail Light Installation (See Separate Breakdown in this Section)	
16	1001139937	1	Turn/High Beam Indicator	
17	1001190709	1	LH Drive Light Installation (See Separate Breakdown in this Section)	

SECTION 10 - ELECTRICAL

FIGURE 10-14. ROAD LIGHT INSTALLATION (LSI)



ART_1001236676-A

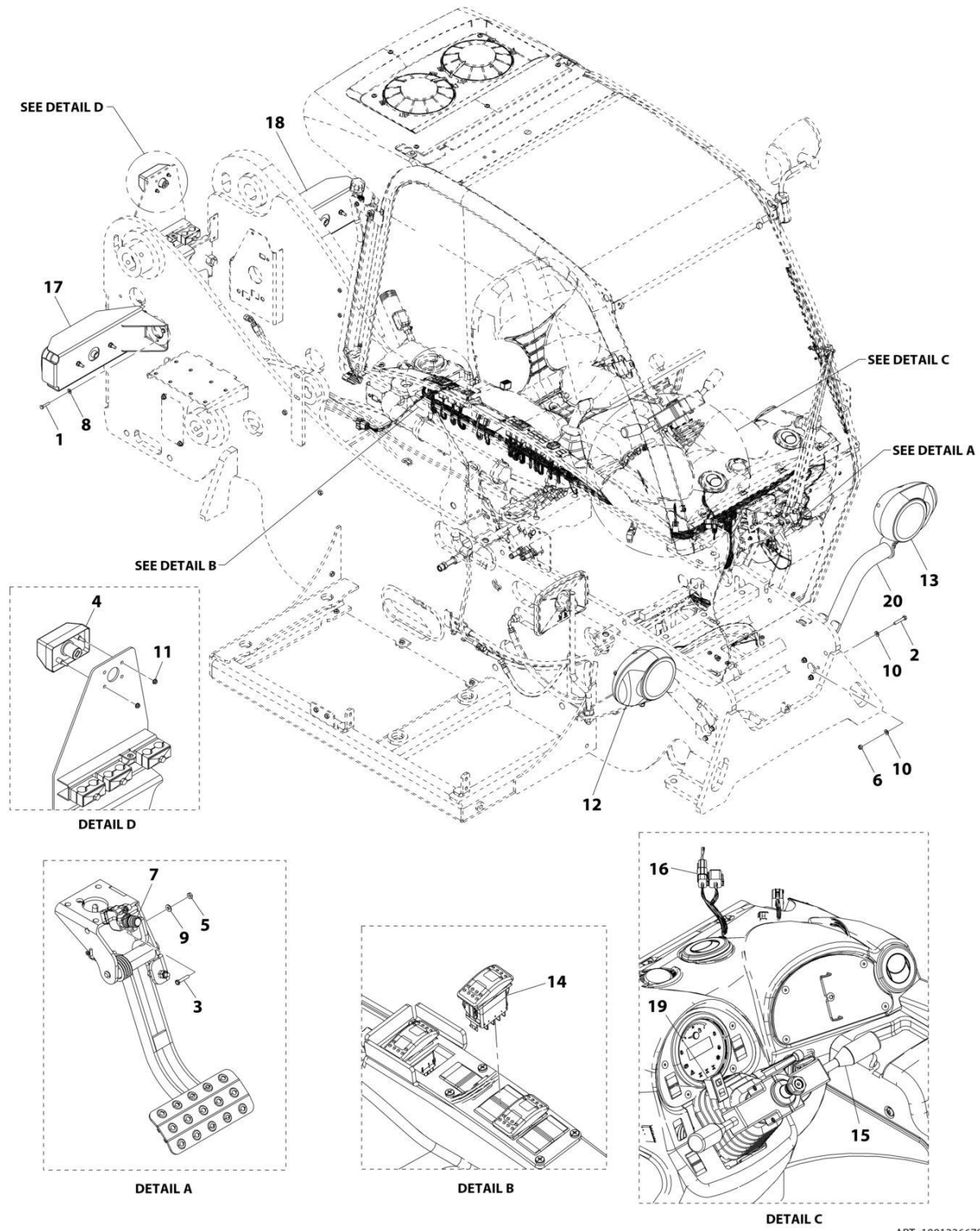
SECTION 10 - ELECTRICAL

FIGURE 10-14. ROAD LIGHT INSTALLATION (LSI)

ITEM	PART NUMBER	QTY	DESCRIPTION	REV
	1001236676	Ref	Road Light Installation (LSI)	A
1	0641410	6	Hex HD Capscrew, 1/4-20X1-1/4, GR5	
2	0641514	3	Hex HD Capscrew, 5/16-18X1-3/4, GR5	
3	0721008	2	Screw, #10-24X1	
4	2920204	1	License Plate Light	
5	2920208	1	RH Drive Light	
6	3311005	2	Hex Locknut	
7	3311505	3	Hex Locknut, 5/16-18, GR2	
8	4360658	1	Brake Light Switch	
9	4711400	6	Washer, 1/4	
10	4751000	2	Washer, M10	
11	4891500	6	Washer, 5/16	
12	5220500	2	Ripp Nut, M5	
13	1001080370	1	Hazard Light Switch	
14	1001080381	1	Turn Signal-Headlight Switch	
15	1001100965	1	Jumper Harness	
16	1001101533	1	RH Tail Light Installation (See Separate Breakdown in this Section)	
17	1001101534	1	LH Tail Light Installation (See Separate Breakdown in this Section)	
18	1001139937	1	Turn/High Beam Indicator	
19	1001190709	1	LH Drive Light Installation (See Separate Breakdown in this Section)	

SECTION 10 - ELECTRICAL

FIGURE 10-15. ROAD LIGHT INSTALLATION (LHDIP)



ART_1001236678-A

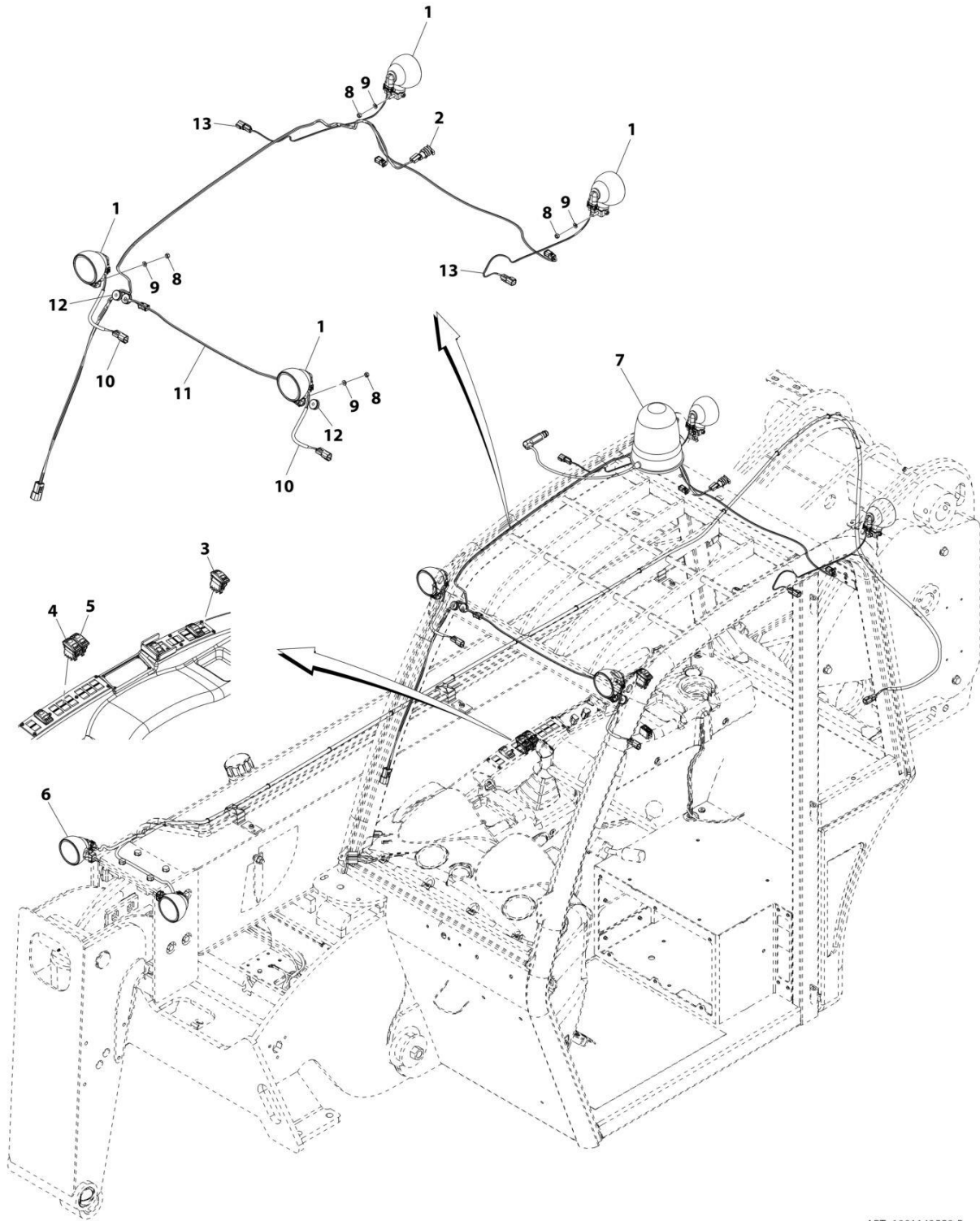
SECTION 10 - ELECTRICAL

FIGURE 10-15. ROAD LIGHT INSTALLATION (LH DIP)

ITEM	PART NUMBER	QTY	DESCRIPTION	REV
	1001236678	Ref	Road Light Installation (LH Dip)	A
1	0641410	6	Hex HD Capscrew, 1/4-20X1-1/4, GR5	
2	0641514	3	Hex HD Capscrew, 5/16-18X1-3/4, GR5,	
3	0721008	2	Screw, #10-24X1	
4	2920204	1	License Plate Light	
5	3311005	2	Hex Locknut	
6	3311505	3	Hex Locknut, 5/16-18, GR2	
7	4360658	1	Brake Light Switch	
8	4711400	6	Brake Light Switch	
9	4751000	2	Washer, M10	
10	4891500	6	Washer, 5/16	
11	5220500	2	Ripp Nut, M5	
12	1001002778	1	RH Drive Light	
13	1001002779	1	LH Drive Light	
14	1001080370	1	Hazard Light Switch	
15	1001080381	1	Turn Signal-Headlight Switch	
16	1001100965	1	Jumper Harness (See Separate Breakdown in this Section)	
17	1001101533	1	RH Tail Light Installation (See Separate Breakdown in this Section)	
18	1001101534	1	LH Tail Light Installation (See Separate Breakdown in this Section)	
19	1001139937	1	Turn/High Beam Indicator	
20	1001190640	1	Bracket	

SECTION 10 - ELECTRICAL

FIGURE 10-16. WORK LIGHT INSTALLATION



ART_1001143558-B

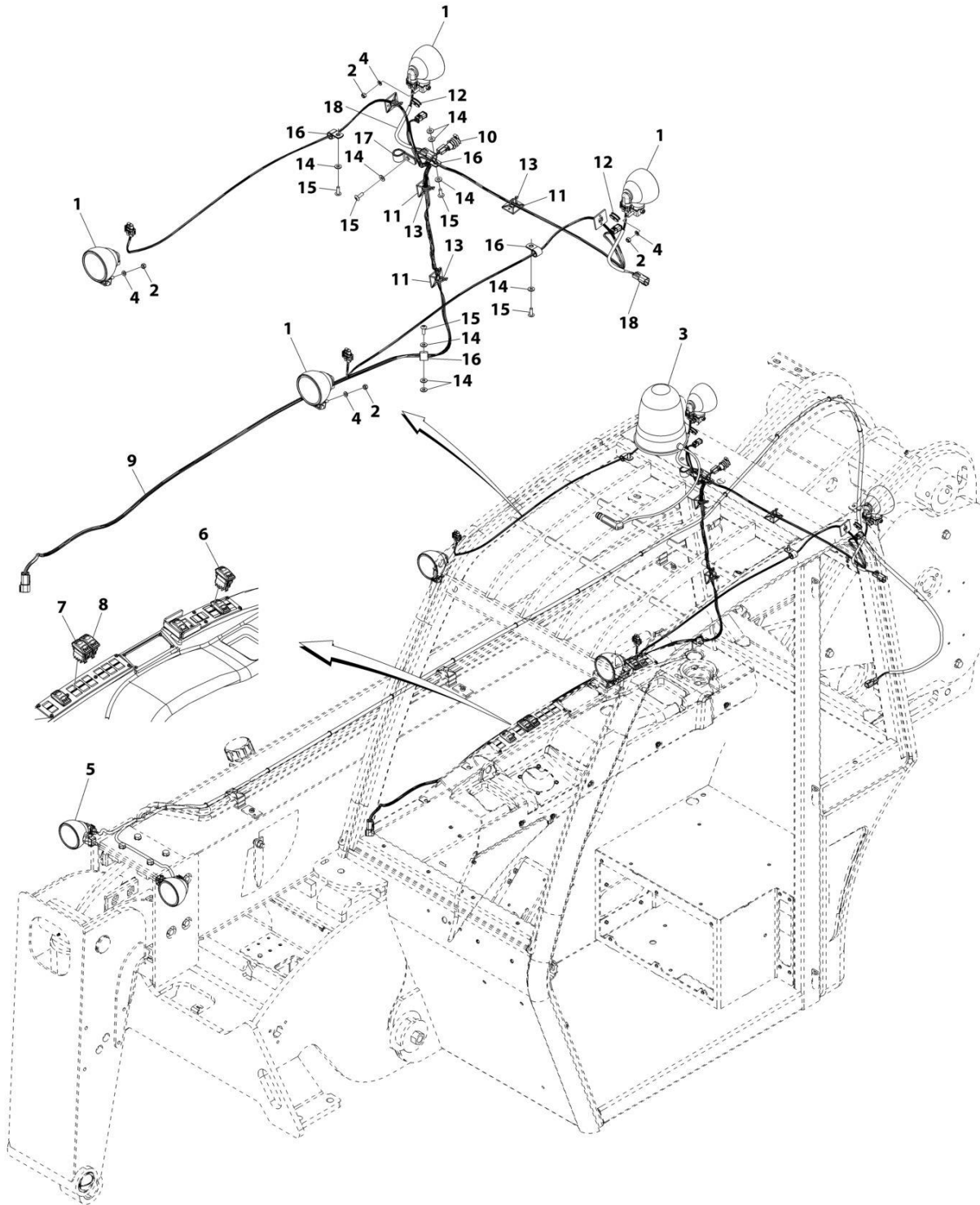
SECTION 10 - ELECTRICAL

FIGURE 10-16. WORK LIGHT INSTALLATION

ITEM	PART NUMBER	QTY	DESCRIPTION	REV
	1001143558	Ref	Work Light Installation	B
1	2920206	4	Light	
2	4461174	1	12V Terminal	
3	1001080365	1	Beacon Light Switch	
4	1001080369	1	Front Work Light Switch	
5	1001080376	1	Rear Work Light Switch	
6	1001080669	1	Boom Work Light, (See Separate Breakdown in this Section)	
7	1001217623	1	Beacon Light	
8	1001108127	4	Hex Locknut, M6X1	
9	1001108129	4	Washer, M6	
10	1001109565	2	Boom Worklight Jumper Harness (Short) (See Separate Breakdown in Electrical Section)	
11	1001109566	1	Proximity Sensor Harness (See Separate Breakdown in Electrical Section)	
12	1001111341	4	Grommet	
13	1001142981	2	Boom Worklight Jumper Harness (Long) (See Separate Breakdown in Electrical Section)	

SECTION 10 - ELECTRICAL

FIGURE 10-17. WORK LIGHT INSTALLATION (OPEN CAB)



ART_1001113154-C

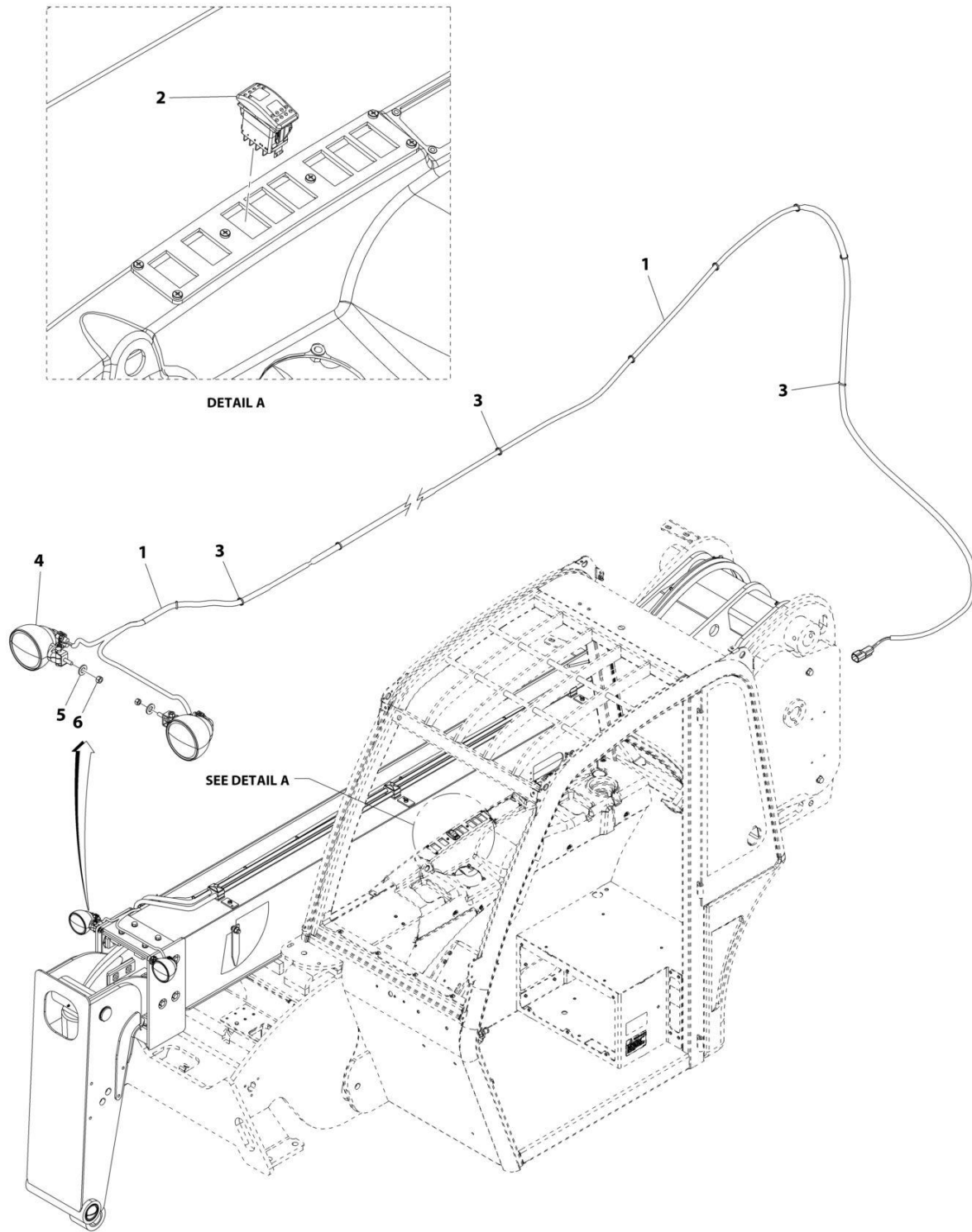
SECTION 10 - ELECTRICAL

FIGURE 10-17. WORK LIGHT INSTALLATION (OPEN CAB)

ITEM	PART NUMBER	QTY	DESCRIPTION	REV
	1001113154	Ref	Work Light Installation (Open Cab)	C
1	2920206	4	Light	
2	3290605	4	Hex Locknut, M6X1	
3	1001217623	1	Beacon Light	
4	4811700	4	Washer, M6	
5	1001080669	1	Boom Work Light (See Separate Breakdown in this Section)	
6	1001080365	1	Beacon Light Switch	
7	1001080369	1	Front Work Light Switch	
8	1001080376	1	Rear Work Light Switch	
9	1001111156	1	Cab Worklight Harness (See Separate Breakdown in Electrical Section)	
10	4461174	1	12V Terminal	
11	4460488	5	Mounting Base	
12	1001111341	2	Grommet	
13	8881802	9	Tie Strap	
14	4711400	9	Washer, 1/4	
15	8303034	5	Screw, 1/4-20X3/4	
16	85941016	4	1/2In Clamp	
17	85941017	1	P-Clamp	
18	1001109565	2	Boom Worklight Jumper Harness (Short) (See Separate Breakdown in Electrical Section)	

SECTION 10 - ELECTRICAL

FIGURE 10-18. BOOM WORK LIGHT



ART_1001080669-D

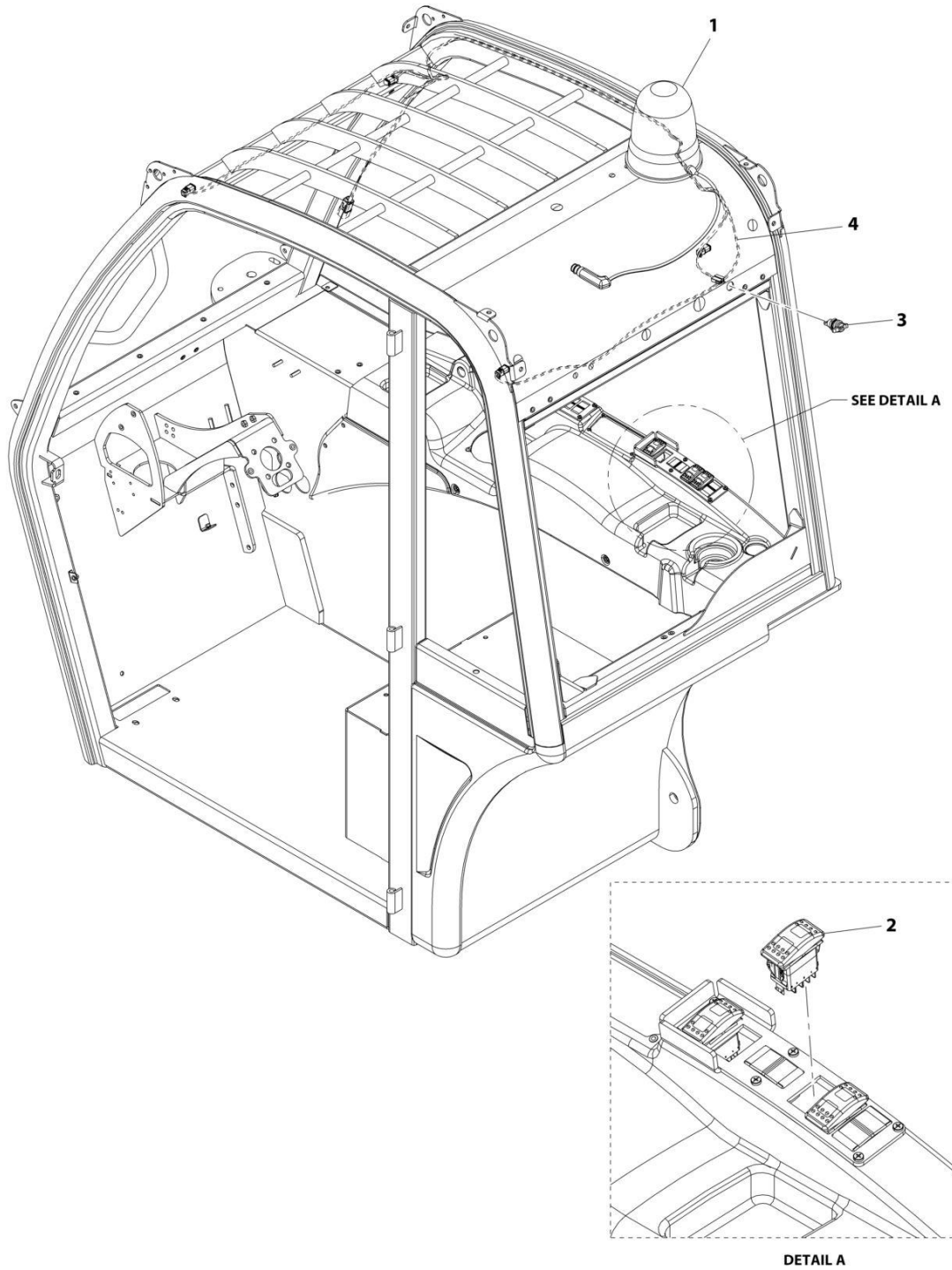
SECTION 10 - ELECTRICAL

FIGURE 10-18. BOOM WORK LIGHT

ITEM	PART NUMBER	QTY	DESCRIPTION	REV
	1001080669	Ref	Boom Work Light	D
1	1001080656	1	Boom Worklights Harness (See Separate Breakdown in this Section)	
2	1001080366	1	Boom Work Light Switch	
3	4240032	14	Tie Strap	
4	2920206	2	Light	
5	4831700	2	Lockwasher, M6	
6	3290601	2	Hex Nut, M6X1	

SECTION 10 - ELECTRICAL

FIGURE 10-19. BEACON INSTALLATION



ART_1001103139-D

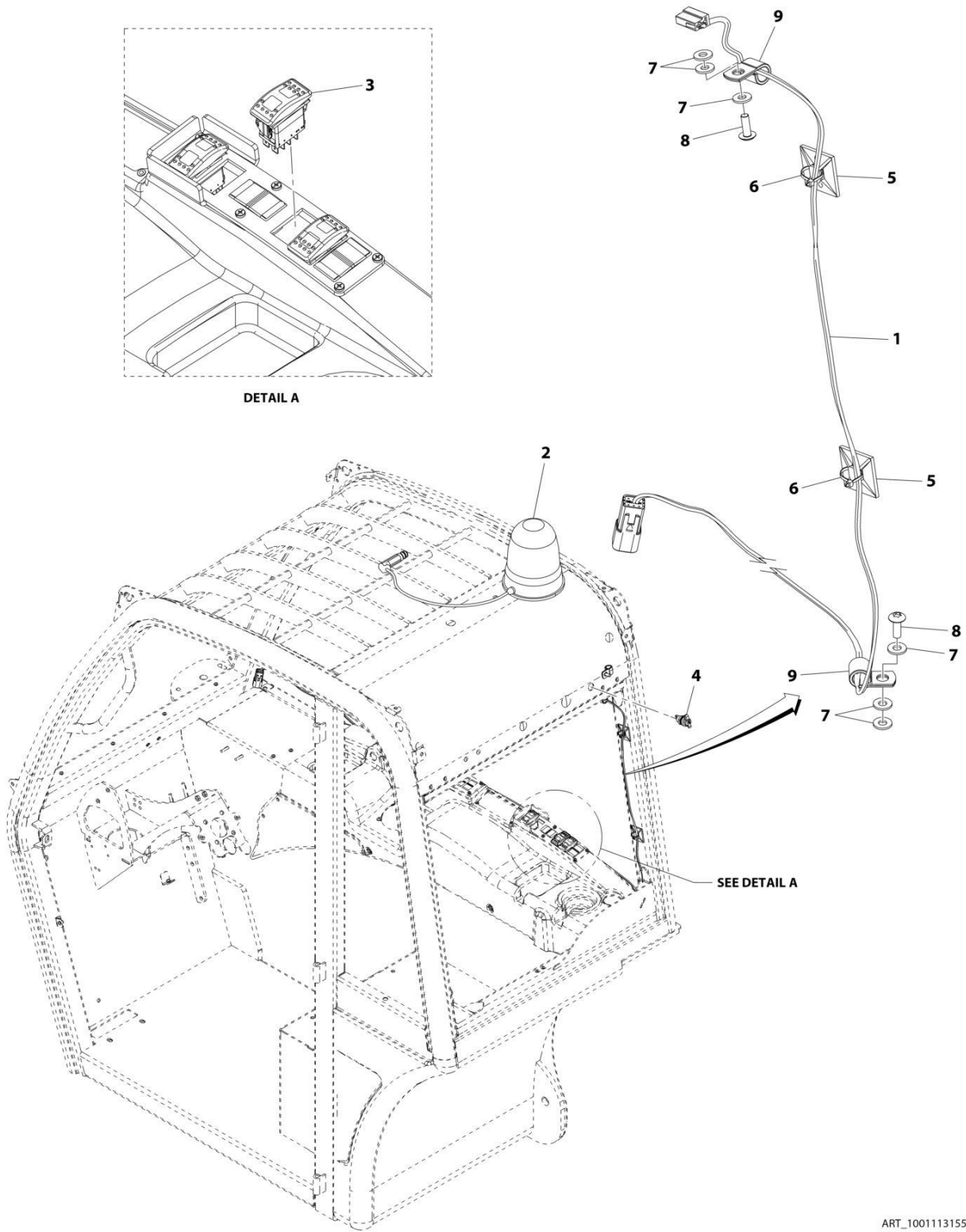
SECTION 10 - ELECTRICAL

FIGURE 10-19. BEACON INSTALLATION

ITEM	PART NUMBER	QTY	DESCRIPTION	REV
	1001103139	Ref	Beacon Installation	D
1	1001217623	1	Beacon Light	
2	1001080365	1	Beacon Light Switch	
3	4461174	1	12V Terminal	
4	1001109566	1	Proximity Sensor Harness (See Separate Breakdown in Electrical Section)	

SECTION 10 - ELECTRICAL

FIGURE 10-20. BEACON INSTALLATION (OPEN CAB)



ART_1001113155-B

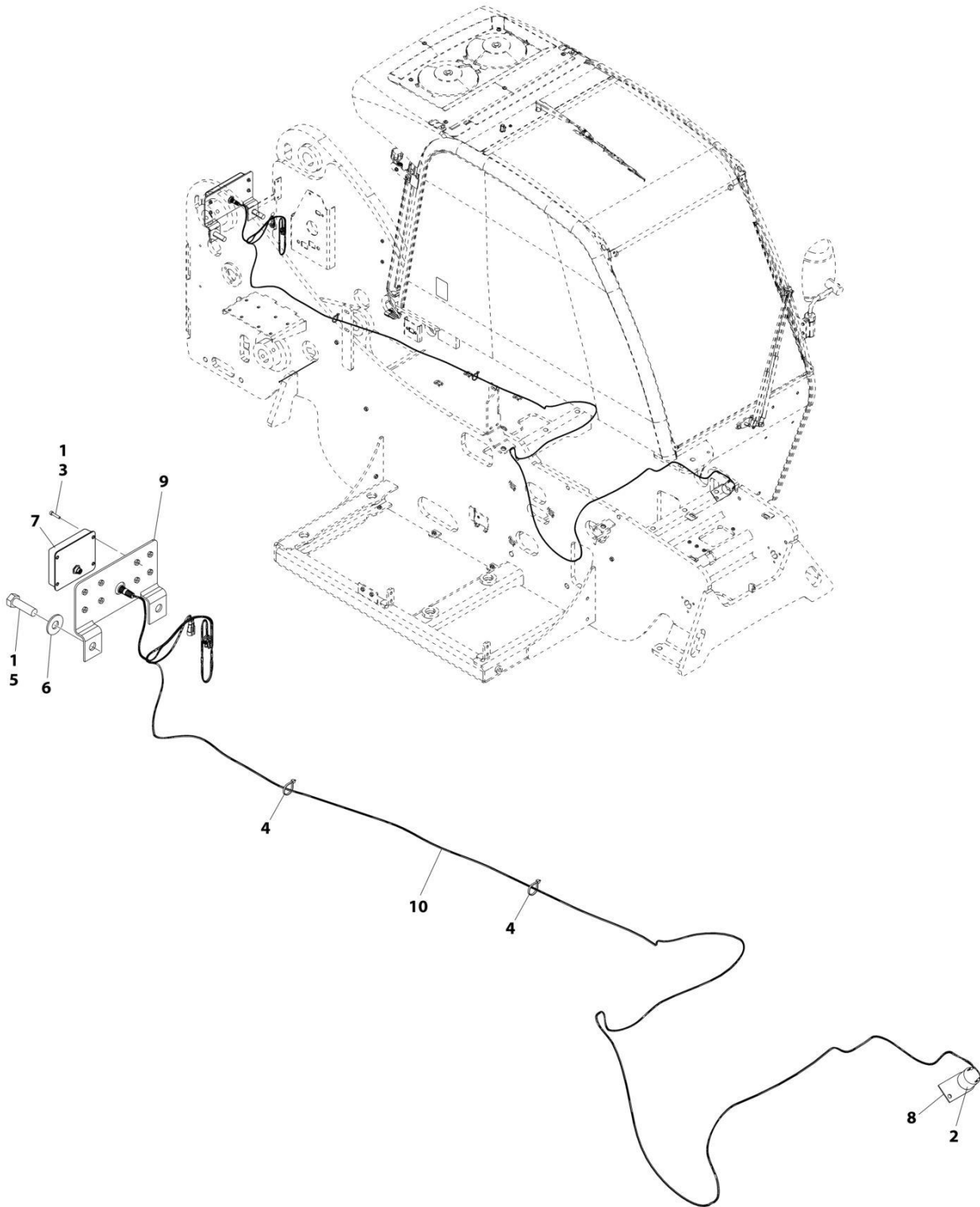
SECTION 10 - ELECTRICAL

FIGURE 10-20. BEACON INSTALLATION (OPEN CAB)

ITEM	PART NUMBER	QTY	DESCRIPTION	REV
	1001113155	Ref	Beacon Installation (Open Cab)	B
1	1001110723	1	Open Cab Worklight Harness (See Separate Breakdown in Electrical Section)	
2	1001217623	1	Beacon Light	
3	1001080365	1	Beacon Light Switch	
4	4461174	1	12V Terminal	
5	4460488	2	Mounting Base	
6	8881802	AR	Tie Strap	
7	4711400	7	Washer, 1/4	
8	8303034	3	Screw, 1/4-20X3/4	
9	85941016	3	Clamp	

SECTION 10 - ELECTRICAL

FIGURE 10-21. REVERSE SENSING SYSTEM INSTALLATION



ART_1001201151-E

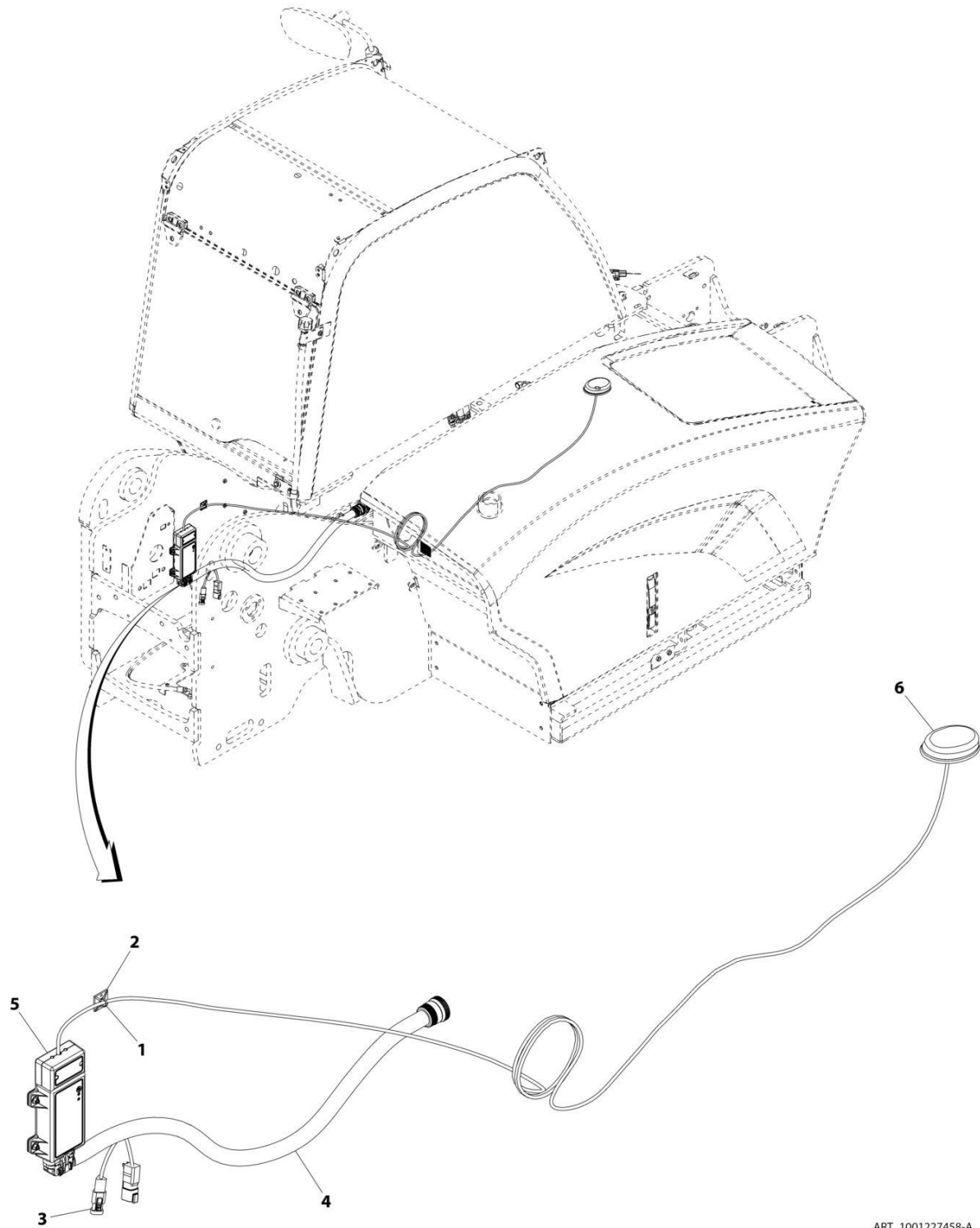
SECTION 10 - ELECTRICAL

FIGURE 10-21. REVERSE SENSING SYSTEM INSTALLATION

ITEM	PART NUMBER	QTY	DESCRIPTION	REV
	1001201151	Ref	Reverse Sensing System Installation	E
1	0100011	AR	Loctite 242	
2	0140011	1	Audible Signal Device	
3	3931012	4	Soc Hd Capscrew, #10-24 X 3/4	
4	4240033	AR	Cable Tie Strap	
5	0682220	2	Hex HD Capscrew, 3/4-10X2-1/2, GR8	
6	4752200	2	Washer, 3/4	
7	1001189997	Ref	Reverse Sensor Object, (no longer available, use 1001247421 for replacement)	
7	1001247421	1	Reverse Sensor Object	
8	1001182662	1	Audible Alarm Bracket	
9	1001184685	1	Backup Sensor Mounting Bracket	
10	1001190914	1	Reverse Sensor Harness (See Separate Breakdown in this Section)	

SECTION 10 - ELECTRICAL

FIGURE 10-22. CLEARSKY INSTALLATION



ART_1001227458-A

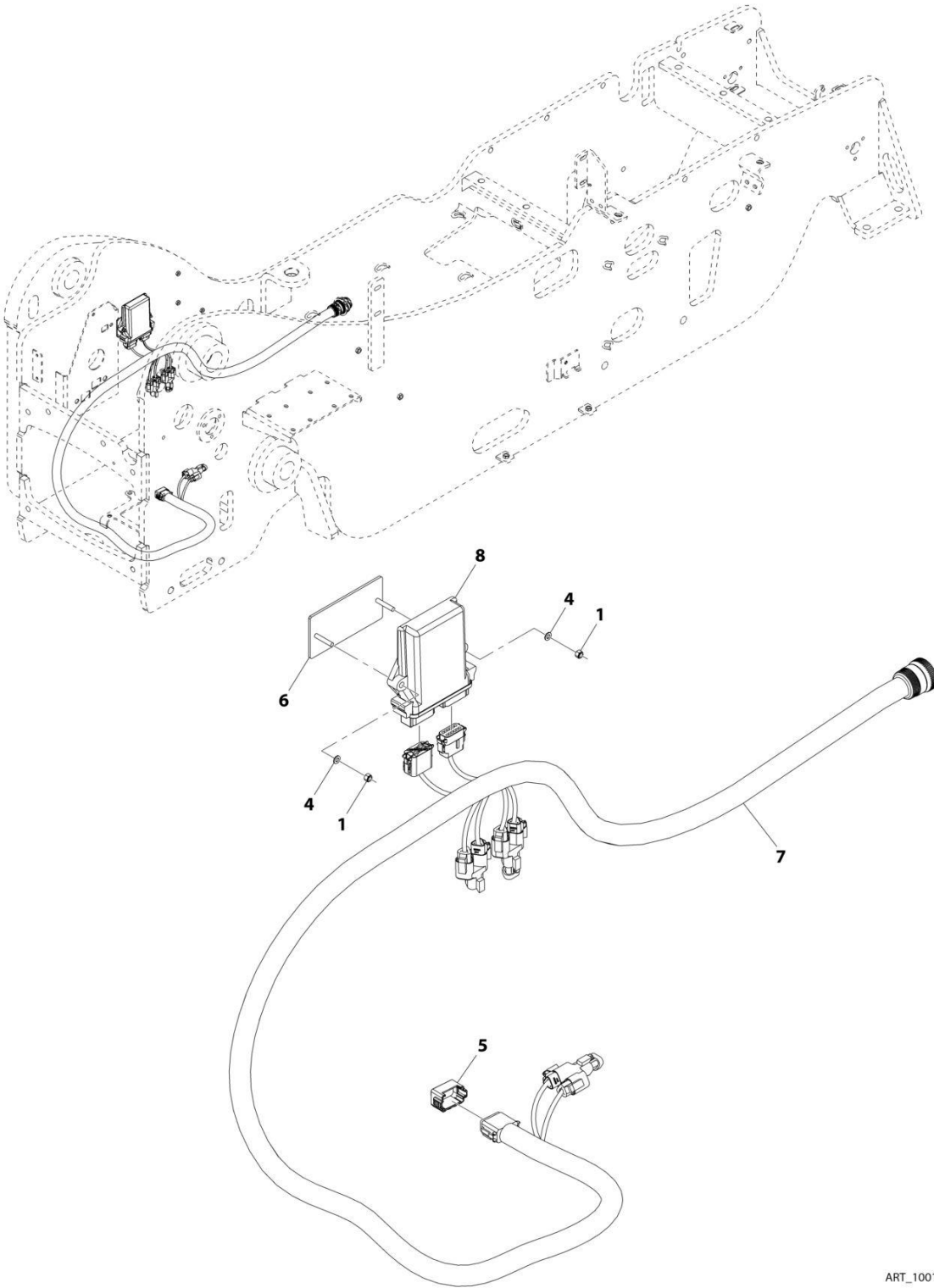
SECTION 10 - ELECTRICAL

FIGURE 10-22. CLEARSKY INSTALLATION

ITEM	PART NUMBER	QTY	DESCRIPTION	REV
	1001227458	Ref	Clearsky Installation	A
1	4240032	AR	Tie Strap	
2	4460234	AR	Terminal, Mount Cable Tie	
3	1001116815	1	Connector, Plug 3-Pin	
4	1001226739	1	Clearsky Harness (See Separate Breakdown in this Section)	
5	1001226796	1	Module	
6	1001226799	1	Antenna	

SECTION 10 - ELECTRICAL

FIGURE 10-23. TELEMATICS, CUSTOMER-SUPPLIED



ART_1001228593-A

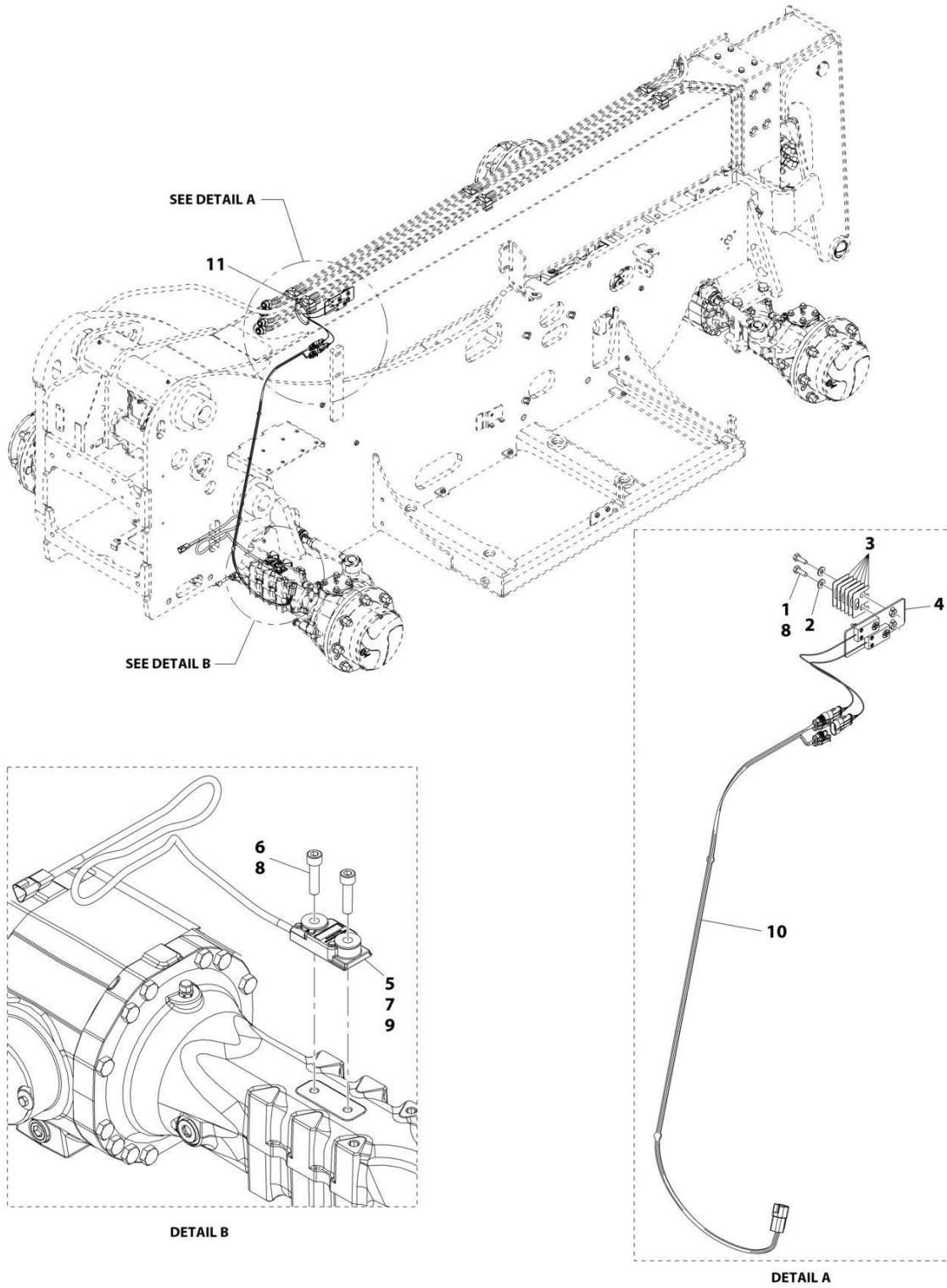
SECTION 10 - ELECTRICAL

FIGURE 10-23. TELEMATICS, CUSTOMER-SUPPLIED

ITEM	PART NUMBER	QTY	DESCRIPTION	REV
	1001228593	1	Telematics Installation	A
1	3290505	2	Hex Locknut, M5X8	
2	4240032	AR	Tie Strap	
3	4460234	AR	Terminal, Mount Cable Tie	
4	4811600	2	Washer, 5mm	
5	1001215898	1	Dust Cap Connector	
6	1001219082	1	Control Mount Bracket	
7	1001226831	1	Telematics Gateway Harness (See Separate Breakdown in this Section)	
8	1001229458	1	Gateway Controller	

SECTION 10 - ELECTRICAL

FIGURE 10-24. BOOM SENSOR INSTALLATION



ART_1001236302-A

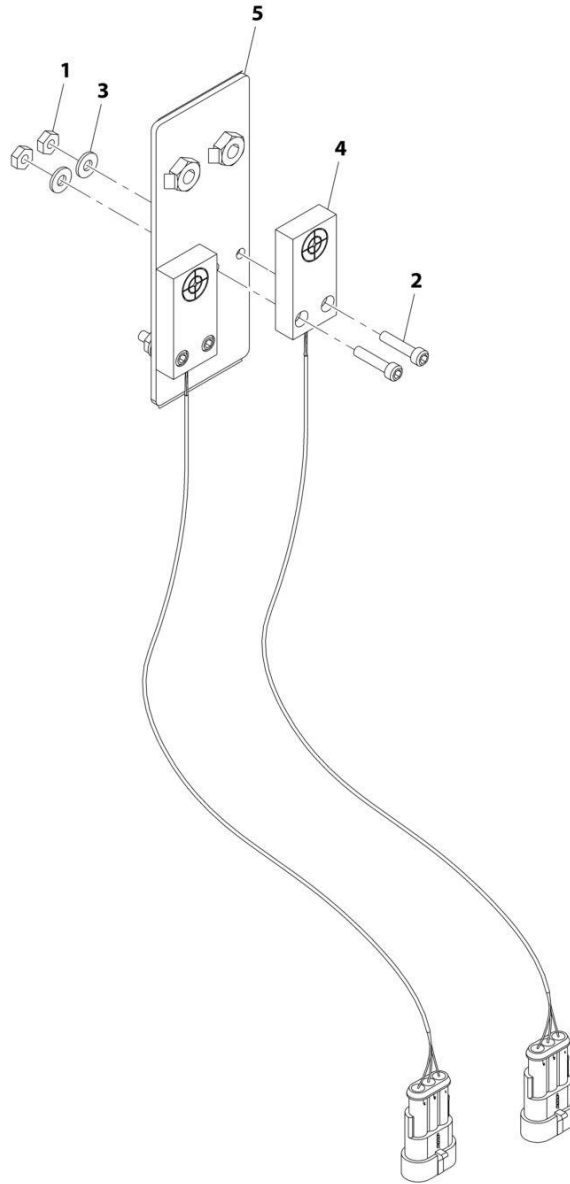
SECTION 10 - ELECTRICAL

FIGURE 10-24. BOOM SENSOR INSTALLATION

ITEM	PART NUMBER	QTY	DESCRIPTION	REV
	1001236302	Ref	Boom Sensor Installation	A
1	0641406	2	Bolt, 1/4-20X3/4	
2	4711400	2	Washer, 1/4	
3	1001121953	6	Shim	
4	1001236272	1	Installation, Boom Sensor Assembly (See Separate Breakdown in this Section)	
5	1001160730	1	Rear Axle LSI Sensor	
6	5272012	2	Bolt M10X40	
7	1001125465	AR	Loctite 7063	
8	1001129425	AR	Loctite 2460	
9	1001116128	AR	Seal	
10	1001129801	1	Boom Sensor Harness (See Separate Breakdown in this Section)	
11	8584003	AR	Tie Wrap	

SECTION 10 - ELECTRICAL

FIGURE 10-25. BOOM SENSOR ASSEMBLY INSTALLATION



ART_1001236272-A

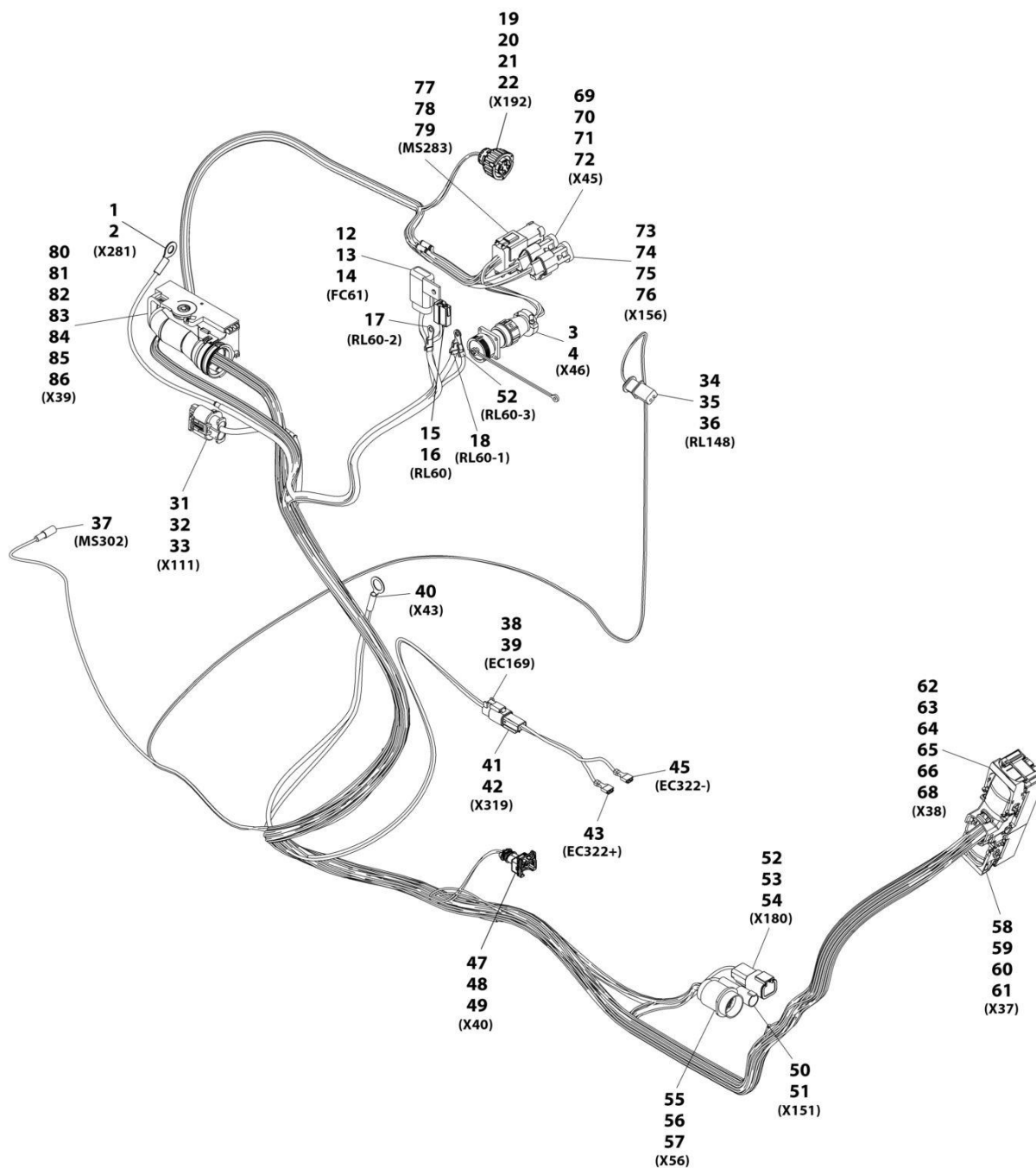
SECTION 10 - ELECTRICAL

FIGURE 10-25. BOOM SENSOR ASSEMBLY INSTALLATION

ITEM	PART NUMBER	QTY	DESCRIPTION	REV
	1001236272	Ref	Boom Sensor Assembly Installation	A
1	3310805	4	Hex Locknut, 8-32, GR2	
2	3930812	4	Socket HD Capscrew, 8-32X3/4	
3	4750800	4	Washer, M8	
4	1001121021	2	Proximity Sensor	
5	1001236337	1	Bracket	

SECTION 10 - ELECTRICAL

FIGURE 10-26. ENGINE HARNESS



ART_1001156229-F

SECTION 10 - ELECTRICAL

FIGURE 10-26. ENGINE HARNESS

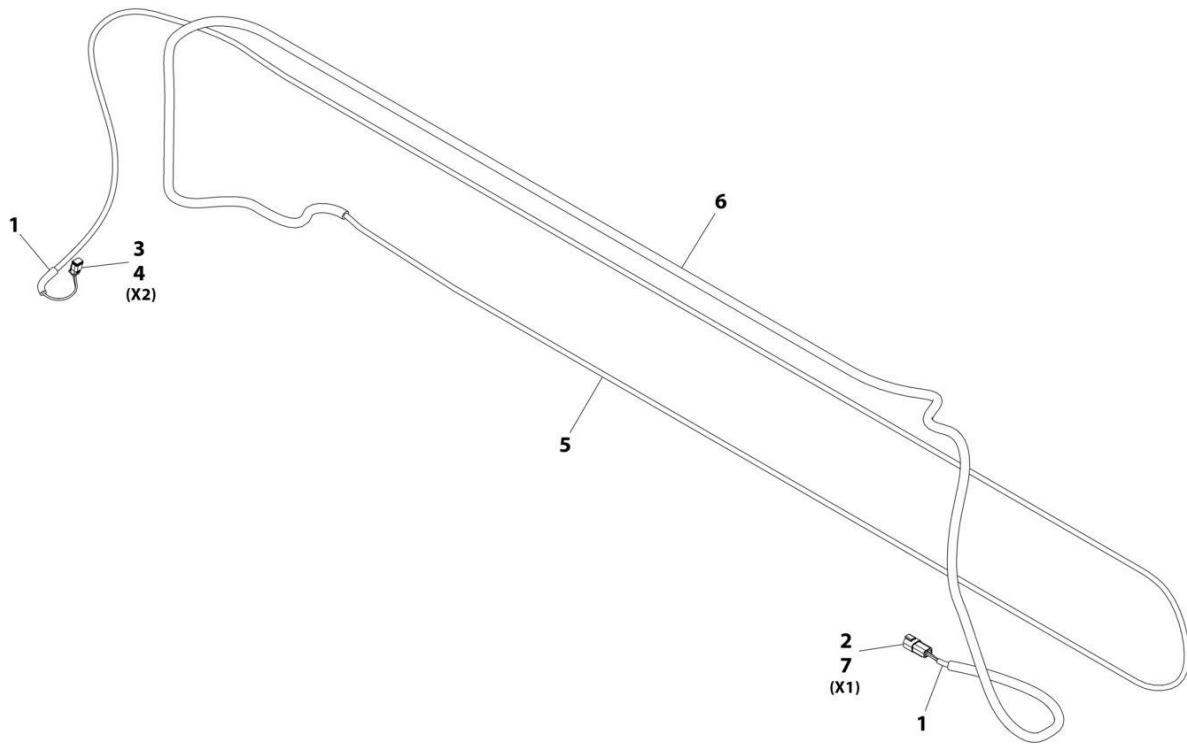
ITEM	PART NUMBER	QTY	DESCRIPTION	REV
	1001156229	1	Engine Harness	F
1	8220045	1	Terminal Ring	
2	4923287	1	Fuse	
3	2902443	1	Connector	
4	4461071	6	Terminal	
12	1001117022	1	Connector	
13	1001116734	1	Terminal	
14	1001116733	1	Terminal	
15	4460994	1	Connector	
16	1001116720	2	Terminal	
17	1001254187	1	Terminal Ring	
18	1001254187	1	Terminal Ring	
19	1001133714	1	Connector	
20	1001133715	3	Terminal	
21	1001135650	3	Seal	
22	1001135651	1	Plug	
31	1001142938	1	Connector	
32	1001142940	2	Terminal	
33	1001142941	2	Seal	
34	1001138110	1	Connector	
35	1001138111	2	Terminal	
36	1001138113	2	Seal	
37	1001117125	1	Connector	
38	4460891	1	Connector	
39	4460942	2	Terminal	
40	1001130900	1	Terminal Ring	
41	4460897	1	Connector	
42	4460941	2	Terminal	
43	8220051	1	Connector	
45	8220051	1	Connector	
47	1001116983	1	Connector	
48	1001116706	2	Terminal	
49	1001137578	2	Seal	
50	1001116967	1	Connector	
51	91143339	1	Terminal	
52	1001254186	1	Ring Terminal	
55	1001116990	1	Connector	
56	1001118380	14	Terminal	
57	1001118391	2	Plug	
58	1001133957	1	Connector	
59	1001126351	13	Terminal	
60	1001230934	15	Terminal	
61	1001230935	2	Plug	
62	1001133956	1	Connector	
63	1001182361	6	Terminal	
64	1001230934	22	Terminal	
65	1001126351	2	Terminal	
66	1001230935	6	Plug	
68	1001182365	6	Seal	
69	4461095	1	Connector	

SECTION 10 - ELECTRICAL

ITEM	PART NUMBER	QTY	DESCRIPTION	REV
70	4460465	2	Terminal	
71	4460466	1	Plug	
72	4461070	1	Cap	
73	4461095	1	Connector	
74	4460465	2	Terminal	
75	4460466	1	Plug	
76	4461070	1	Cap	
77	4460933	1	Connector	
78	4460465	12	Terminal	
79	1001119020	1	Buss Bar	
80	1001126362	1	Connector	
81	1001126363	28	Terminal	
82	1001126365	2	Terminal	
83	4461008	4	Plug	
84	1001126364	28	Seal	
85	4461054	2	Seal	
86	1001126391	1	Plug	

SECTION 10 - ELECTRICAL

FIGURE 10-27. BOOM AUX HARNESS



ART_1001080397-B

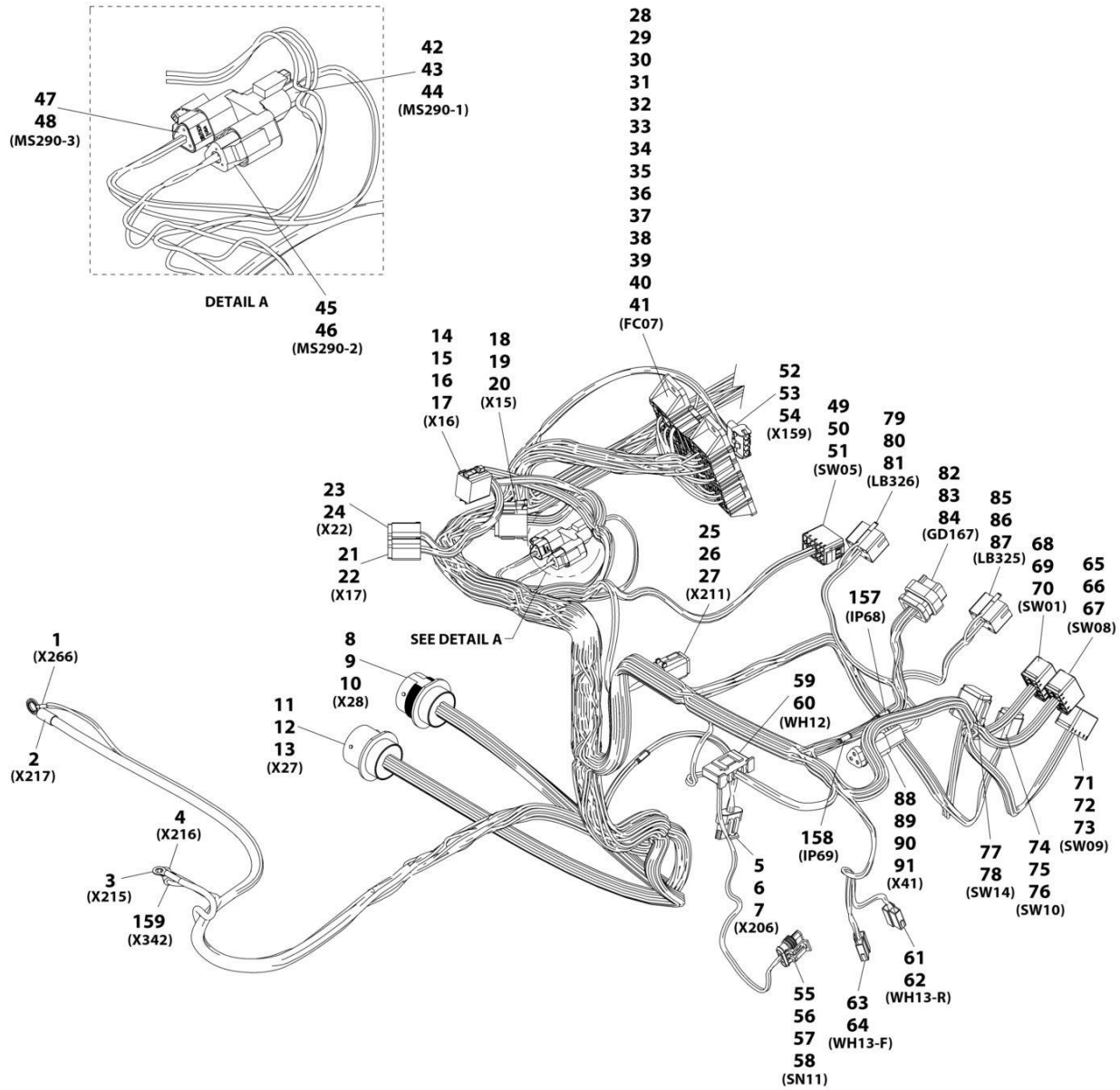
SECTION 10 - ELECTRICAL

FIGURE 10-27. BOOM AUX HARNESS

ITEM	PART NUMBER	QTY	DESCRIPTION	REV
	1001080397	Ref	Boom Aux Harness	B
1	2820171	0.25 ft	Heat Shrink, Insulate	
2	4460464	4	Terminal	
3	4460465	2	Terminal	
4	4460891	1	Connector	
5	4923141	34.83 ft	Wire, 4 Conductor 16 Ga Cable	
6	1001220853	14 ft	Loom, 3/8	
7	4460932	1	Connector	

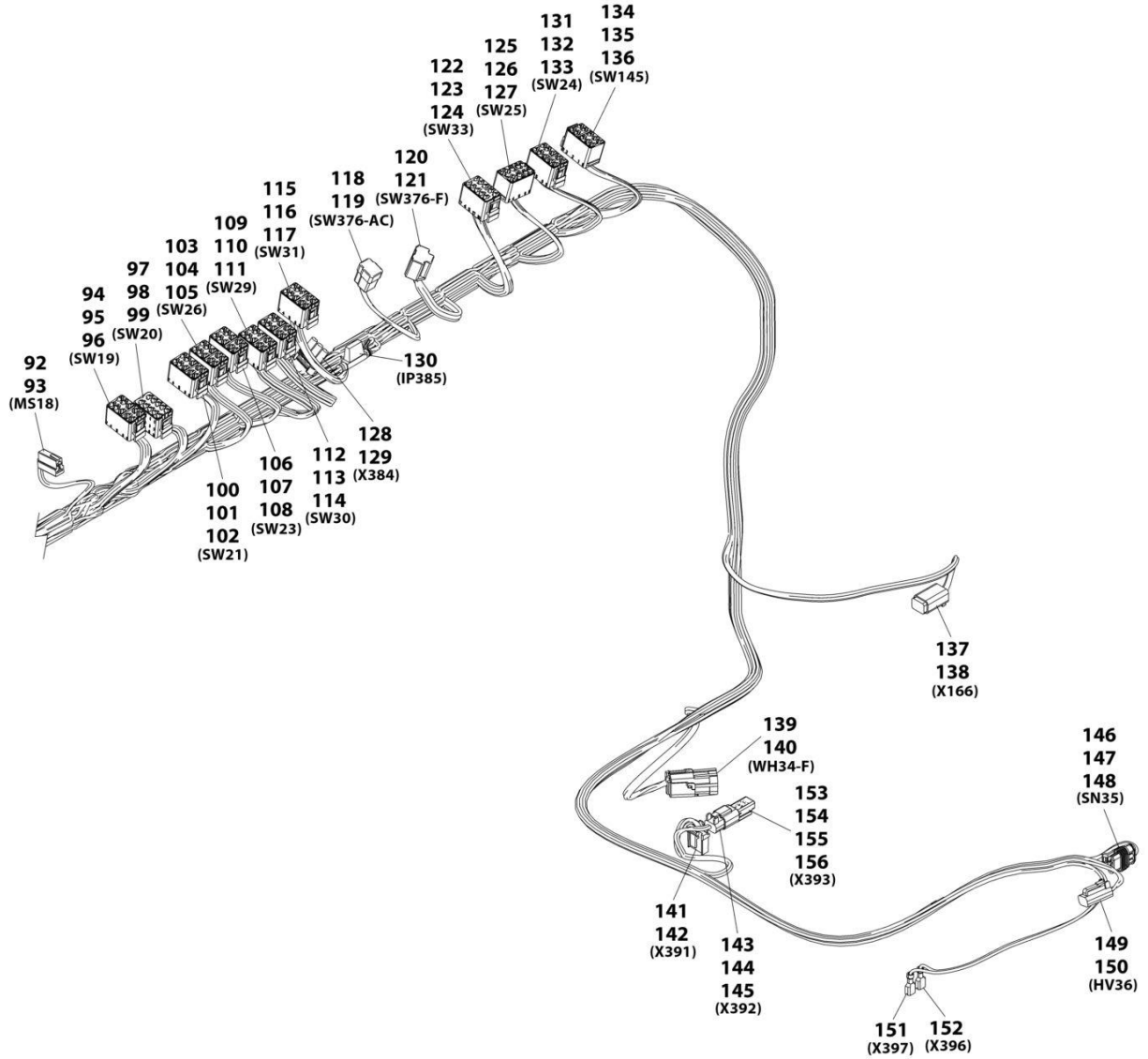
SECTION 10 - ELECTRICAL

FIGURE 10-28. CAB HARNESS



ART_1001208593_1-G

SECTION 10 - ELECTRICAL



ART_1001208593_2-G

SECTION 10 - ELECTRICAL

FIGURE 10-28. CAB HARNESS

ITEM	PART NUMBER	QTY	DESCRIPTION	REV
	1001208593	Ref	Cab Harness	G
1	4460019	1	Terminal Ring	
2	8220115	1	Terminal Ring	
3	1001117106	1	Terminal Ring	
4	4460043	1	Terminal Ring	
5	1001117064	NLA	Connector, (no longer available, use 1001230931 for replacement)	
5	1001230931	1	Connector	
6	91554014	NLA	Terminal, (no longer available, use 1001116748 for replacement)	
6	1001116748	5	Terminal	
7	1001128128	1	Plug	
8	1001111961	1	Connector	
9	4460465	28	Terminal	
10	4460466	3	Plug	
11	1001116920	1	Connector	
12	4460464	29	Terminal	
13	4460466	2	Plug	
14	4460851	1	Connector	
15	4460465	4	Terminal	
16	4460942	2	Terminal	
17	4460466	2	Plug	
18	4460933	1	Connector	
19	4460465	11	Terminal	
20	4460466	1	Plug	
21	4460884	1	Connector	
22	4460465	4	Terminal	
23	4460894	1	Connector	
24	4460465	6	Terminal	
25	4460894	1	Connector	
26	4460465	3	Terminal	
27	4460466	3	Plug	
28	1001080763	1	Connector	
29	1001116710	30	Terminal	
30	1001116712	16	Terminal	
31	1001116711	4	Terminal	
32	1001116735	5	Terminal	
33	4460419	1	Terminal	
34	80983191	3	Fuse, 10 AMP	
35	8229242	2	Fuse, 5 AMP	
36	8229244	4	Fuse, 15 AMP	
37	8229246	2	Fuse, 20 AMP	
38	8229245	1	Fuse, 30 AMP	
39	8229243	6	Fuse, 7.5 AMP	
40	1001095704	2	Realy, 35 AMP	
41	1001100781	1	Realy, 10 AMP	
42	1001116812	1	Connector	
43	4460945	1	Terminal, 3 Way "T" Receptacle	
44	4460465	3	Terminal	
45	4460539	1	Connector	
46	4460465	3	Terminal	
47	1001116812	1	Connector	

SECTION 10 - ELECTRICAL

ITEM	PART NUMBER	QTY	DESCRIPTION	REV
48	4460465	3	Terminal	
49	1001117081	1	Connector	
50	1001118385	2	Terminal	
51	1001116723	4	Terminal	
52	4460761	1	Connector	
53	4460267	3	Terminal	
54	4460705	2	Terminal	
55	1001103012	1	Connector	
56	1001107854	2	Terminal	
57	1001116698	2	Plug	
58	1001104498	2	Seal	
59	1001127066	1	Connector	
60	1001118385	4	Terminal	
61	4460994	1	Connector	
62	1001118385	2	Terminal	
63	4460994	1	Connector	
64	1001118385	3	Terminal	
65	1001117081	1	Connector	
66	1001118385	3	Terminal	
67	1001116723	8	Terminal	
68	1001117081	1	Connector	
69	1001116723	6	Terminal	
70	1001118385	1	Terminal	
71	1001117081	1	Connector	
72	1001118385	4	Terminal	
73	1001116723	4	Terminal	
74	4460894	1	Connector	
75	4460465	5	Terminal	
76	4460466	1	Plug	
77	4460930	1	Connector	
78	4460465	8	Terminal	
79	1001117119	1	Connector	
80	1001118385	2	Terminal	
81	1001116723	4	Terminal	
82	4460872	1	Connector	
83	4460871	13	Terminal	
84	4460905	2	Plug	
85	1001117119	1	Connector	
86	1001116723	6	Terminal	
87	1001118385	1	Terminal	
88	4460536	1	Connector	
89	1001116815	1	Terminal	
90	4460464	2	Terminal	
91	4460466	1	Terminal	
92	4460994	1	Connector	
93	1001118385	2	Terminal	
94	1001117081	1	Connector	
95	1001118385	4	Terminal	
96	1001116723	6	Terminal	
97	1001117082	1	Connector	
98	1001118385	3	Terminal	

SECTION 10 - ELECTRICAL

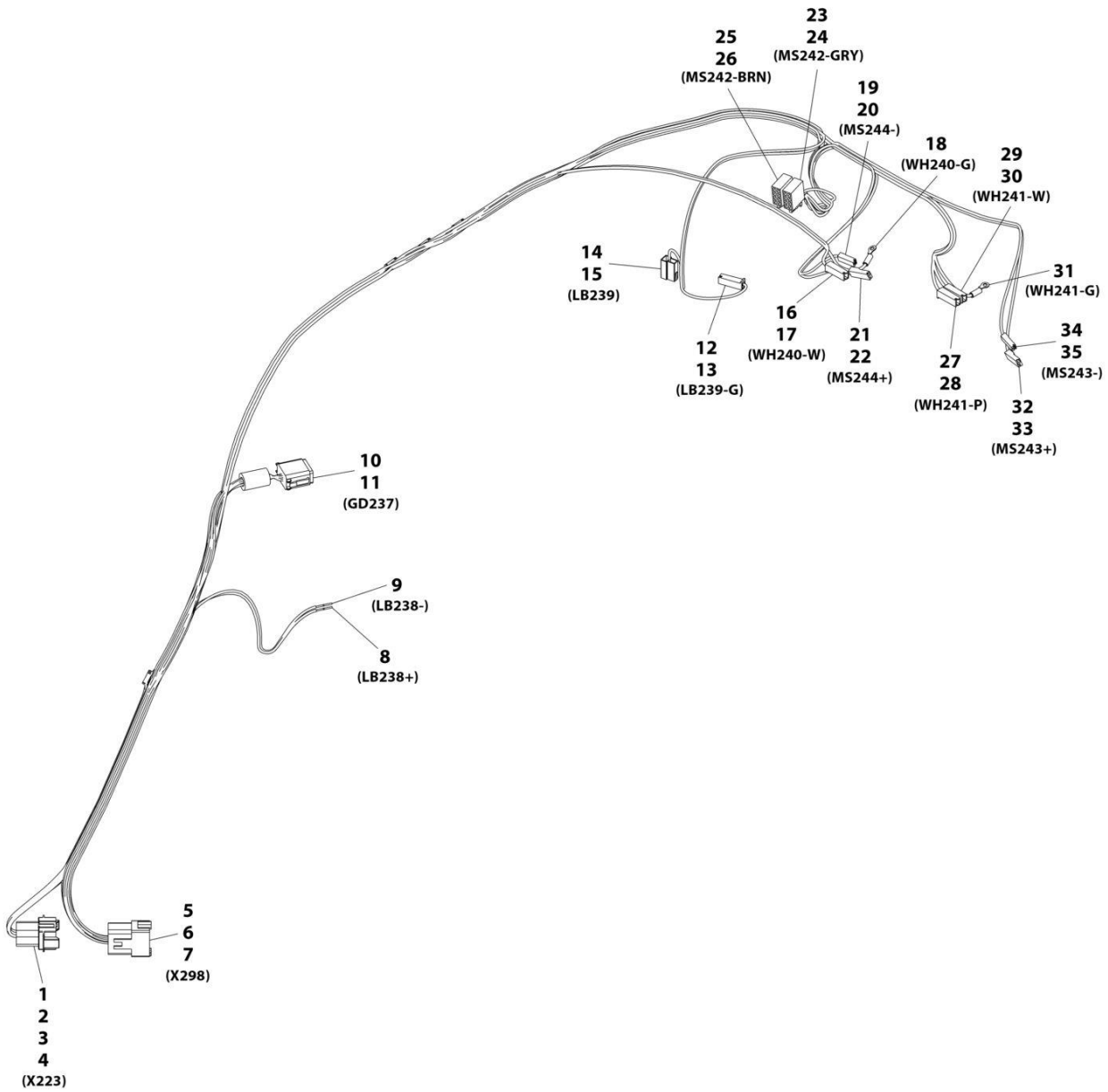
ITEM	PART NUMBER	QTY	DESCRIPTION	REV
99	1001116723	8	Terminal	
100	1001117081	1	Connector	
101	1001118385	2	Terminal	
102	1001116723	4	Terminal	
103	1001117081	1	Connector	
104	1001118385	2	Terminal	
105	1001116723	4	Terminal	
106	1001117081	1	Connector	
107	1001118385	2	Terminal	
108	1001116723	4	Terminal	
109	1001117081	1	Connector	
110	1001118385	5	Terminal	
111	1001116723	6	Terminal	
112	1001117081	1	Connector	
113	1001118385	4	Terminal	
114	1001116723	6	Terminal	
115	1001117081	1	Connector	
116	1001118385	6	Terminal	
117	1001116723	2	Terminal	
118	1001117059	1	Connector	
119	1001116736	3	Terminal	
120	1001117080	1	Connector	
121	1001116723	5	Terminal	
122	1001117079	1	Connector	
123	1001118385	4	Terminal	
124	1001116723	8	Terminal	
125	1001117081	1	Connector	
126	1001116723	4	Terminal	
127	1001118385	1	Terminal	
128	4460459	1	Connector	
129	4460457	3	Terminal	
130	2400060	1	Fuse Holder	
131	1001117081	1	Connector	
132	1001118385	3	Terminal	
133	1001116723	2	Terminal	
134	1001117081	1	Connector	
135	1001118385	3	Terminal	
136	1001116723	6	Terminal	
137	4460884	1	Connector	
138	4460465	4	Terminal	
139	80963062	1	Connector	
140	4460475	4	Terminal	
141	1001197624	1	Connector	
142	1001197714	3	Terminal	
143	4460891	1	Connector	
144	4460897	1	Terminal	
145	4460465	2	Terminal	
146	4461262	1	Connector	
147	1001107854	3	Terminal	
148	1001104498	3	Seal	
149	4460891	1	Connector	

SECTION 10 - ELECTRICAL

ITEM	PART NUMBER	QTY	DESCRIPTION	REV
150	4460465	2	Terminal	
151	8220051	1	Connector	
152	8220051	1	Connector	
153	4460897	1	Connector	
154	1001218381	1	Resistor	
155	1001135350	1	Cap	
156	4460464	2	Plug	
157	3990013	1	Diode, 4 AMP	
158	3990013	1	Diode, 4 AMP	
159	4460043	1	Terminal Ring	

SECTION 10 - ELECTRICAL

FIGURE 10-29. CAB ROOF HARNESS



ART_1001142010-C

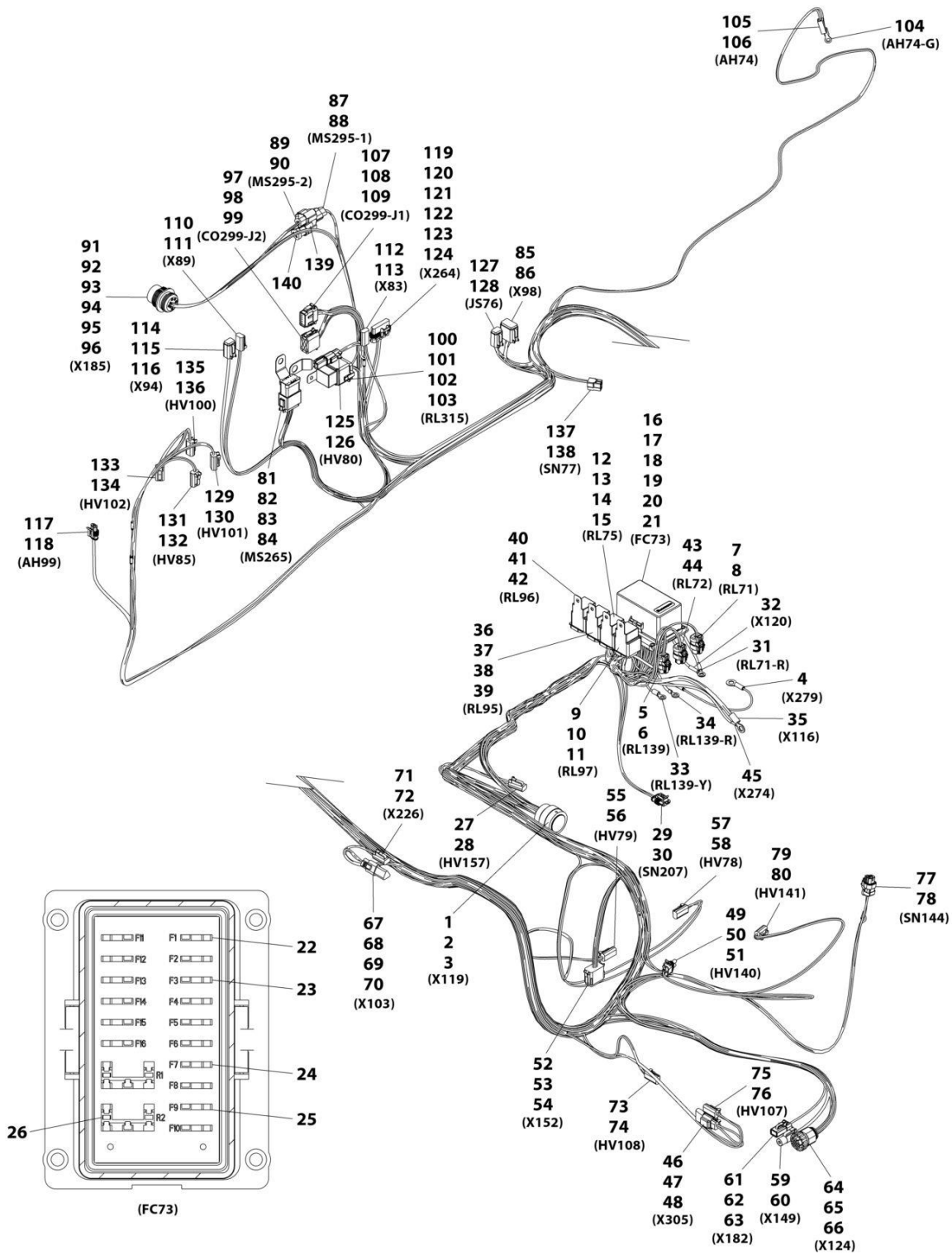
SECTION 10 - ELECTRICAL

FIGURE 10-29. CAB ROOF HARNESS

ITEM	PART NUMBER	QTY	DESCRIPTION	REV
	1001142010	Ref	Cab Roof Harness	C
1	1001116813	1	Connector	
2	4460464	3	Terminal	
3	4460941	3	Terminal	
4	4460466	2	Plug	
5	4460970	1	Connector	
6	4460464	11	Terminal	
7	4460466	1	Plug	
8	1001118387	1	Terminal, Ring	
9	1001118387	1	Terminal, Ring	
10	4460930	1	Connector	
11	4460465	9	Terminal	
12	4460260	1	Connector	
13	4460259	1	Terminal	
14	4460994	1	Connector	
15	1001118385	1	Terminal	
16	4460260	1	Connector	
17	4460259	1	Terminal	
18	8220007	1	Terminal, Ring	
19	1001117002	1	Connector	
20	1001116705	1	Terminal	
21	1001116982	1	Connector	
22	1001118379	1	Terminal	
23	1001116985	1	Connector	
24	1001116710	3	Terminal	
25	1001116984	1	Connector	
26	1001116710	4	Terminal	
27	4460260	1	Connector	
28	4460259	1	Terminal	
29	4460260	1	Connector	
30	4460259	1	Terminal	
31	8220007	1	Terminal, Ring	
32	1001116982	1	Connector	
33	1001118379	1	Terminal	
34	1001117002	1	Connector	
35	1001116705	1	Terminal	

SECTION 10 - ELECTRICAL

FIGURE 10-30. FRAME HARNESS



ART_1001140634-F

SECTION 10 - ELECTRICAL

FIGURE 10-30. FRAME HARNESS

ITEM	PART NUMBER	QTY	DESCRIPTION	REV
	1001140634	Ref	Frame Harness	F
1	1001116921	1	Connector	
2	4460465	29	Terminal	
3	4460466	2	Plug	
4	8220045	1	Terminal, Ring	
5	1001116953	1	Connector	
6	4460465	2	Terminal	
7	1001116952	1	Connector	
8	4460465	2	Terminal	
9	4460374	1	Connector	
10	1001116733	5	Terminal	
11	3740080	1	Relay	
12	4460374	1	Connector	
13	1001116733	4	Terminal	
14	1001128128	1	Plug	
15	3740080	1	Relay	
16	1001080361	1	Connector	
17	1001116726	22	Terminal	
18	1001116725	8	Terminal	
19	1001116727	2	Plug	
20	8220081	22	Seal	
21	8220089	8	Seal	
22	8229244	5	Fuse, 15 AMP	
23	8229242	4	Fuse, 5 AMP	
24	80983191	1	Fuse, 15 AMP	
25	80983191	6	Fuse, 10 AMP	
26	1001095704	2	Relay, 35 AMP	
27	4460891	1	Connector	
28	4460465	2	Terminal	
29	4461262	1	Connector	
30	1001107854	3	Terminal	
31	1001117106	1	Terminal, Ring	
32	1001117106	1	Terminal, Ring	
33	4460043	1	Terminal, Ring	
34	4460312	1	Terminal, Ring	
35	8220115	1	Terminal, Ring	
36	4460374	1	Connector	
37	1001116733	4	Terminal	
38	1001128128	1	Plug	
39	3740080	1	Relay	
40	4460374	1	Connector	
41	1001116733	5	Terminal	
42	3740080	1	Relay	
43	1001116950	1	Connector	
44	4460465	2	Terminal	
45	4460019	1	Terminal, Ring	
46	4460891	1	Connector	
47	1001116816	1	Connector, DT 2 Pin Receptacle With Diode	
48	4460465	2	Terminal	
49	4460742	1	Connector	

SECTION 10 - ELECTRICAL

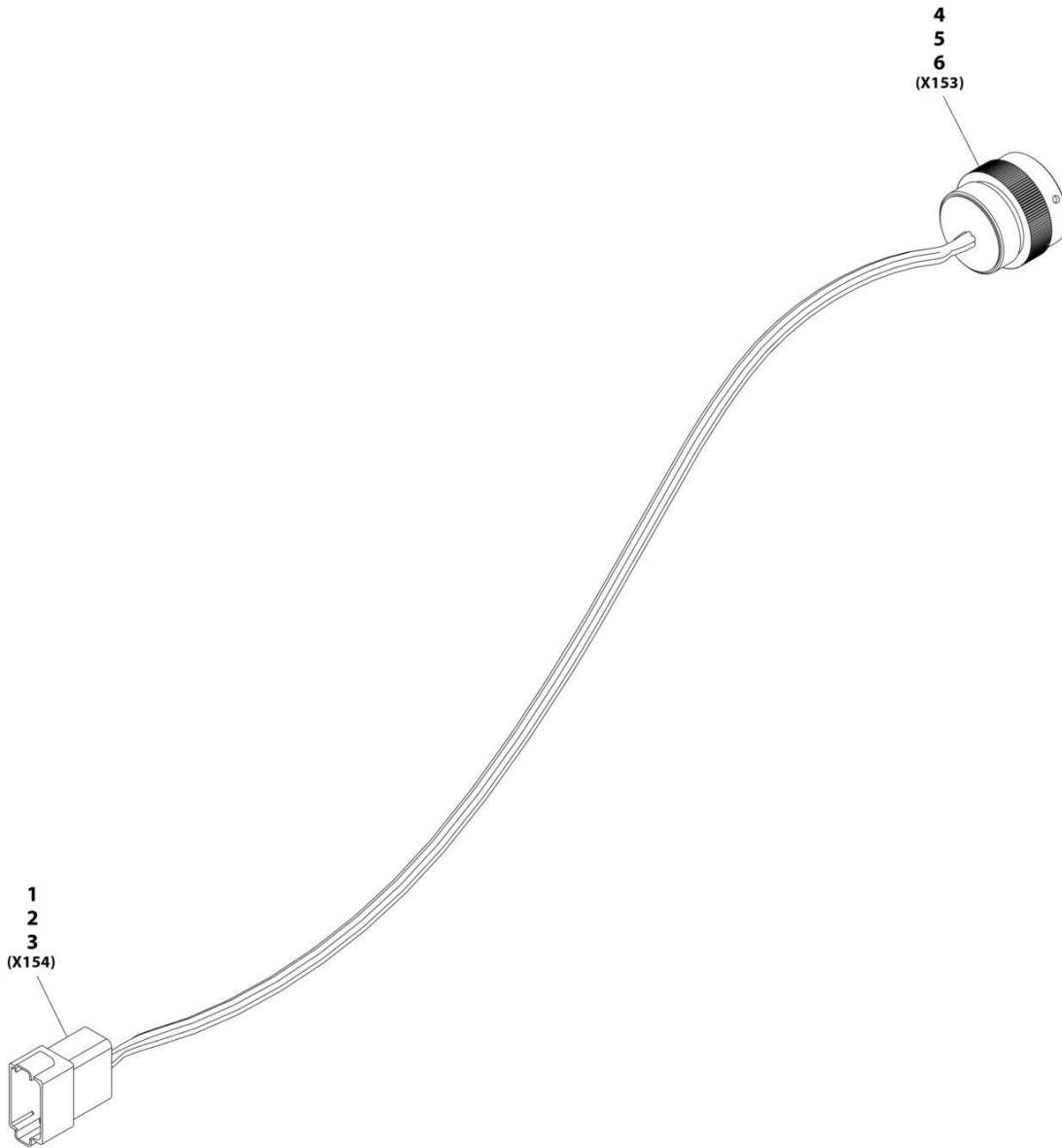
ITEM	PART NUMBER	QTY	DESCRIPTION	REV
50	4460457	2	Terminal	
51	8220081	2	Seal	
52	4460933	1	Connector	
53	4460465	9	Terminal	
54	4460466	3	Plug	
55	4460891	1	Connector	
56	4460465	2	Terminal	
57	4460891	1	Connector	
58	4460465	2	Terminal	
59	1001116966	1	Connector	
60	91143340	1	Terminal	
61	4461018	1	Connector	
62	4460509	1	Terminal	
63	4460466	1	Plug	
64	1001116977	1	Connector	
65	1001118381	14	Terminal	
66	1001118391	2	Plug	
67	4460539	1	Connector	
68	4460536	1	Terminal	
69	4460466	4	Plug	
70	4460465	2	Terminal	
71	4460891	1	Connector	
72	4460465	2	Terminal	
73	4460891	1	Connector	
74	4460465	2	Terminal	
75	4460891	1	Connector	
76	4460465	2	Terminal	
77	1001116950	1	Connector	
78	4460465	2	Terminal	
79	4460891	1	Connector	
80	4460465	2	Terminal	
81	4460933	1	Connector	
82	1001119020	1	Connector, 3X4 Bussbar	
83	1001120328	1	Mount	
84	4460465	12	Terminal	
85	4460930	1	Connector	
86	4460465	8	Terminal	
87	1001116812	1	Connector	
88	4460465	3	Terminal	
89	4460539	1	Connector	
90	4460465	3	Terminal	
91	1001112612	1	Connector	
92	1001106736	1	Dust, Cap	
93	4460497	1	Nut	
94	4460496	1	Lock Washer	
95	4460464	6	Terminal	
96	4460466	3	Plug	
97	1001116774	1	Connector	
98	1001126008	10	Terminal	
99	4460518	3	Plug	
100	4460374	1	Connector	

SECTION 10 - ELECTRICAL

ITEM	PART NUMBER	QTY	DESCRIPTION	REV
101	3740080	1	Relay	
102	1001116733	4	Terminal	
103	1001128128	1	Plug	
104	4460043	1	Terminal, Ring	
105	4460260	1	Connector	
106	4460259	1	Terminal	
107	1001116808	1	Connector	
108	1001126008	9	Terminal	
109	4460518	3	Plug	
110	4460891	1	Connector	
111	4460465	2	Terminal	
112	4460891	1	Connector	
113	4460465	2	Terminal	
114	4460884	1	Connector	
115	4460465	2	Terminal	
116	4460466	2	Plug	
117	4461118	1	Connector	
118	1001107854	2	Terminal	
119	1001121726	1	Connector	
120	8220125	2	Terminal	
121	1001116747	2	Terminal	
122	4460748	1	Plug	
123	8220089	2	Seal	
124	4460458	2	Seal	
125	4460891	1	Connector	
126	4460465	2	Terminal	
127	4460884	1	Connector	
128	4460465	4	Terminal	
129	4460891	1	Connector	
130	4460465	2	Terminal	
131	4460891	1	Connector	
132	4460465	2	Terminal	
133	4460891	1	Connector	
134	4460465	2	Terminal	
135	4460891	1	Connector	
136	4460465	2	Terminal	
137	1001116948	1	Connector	
138	1001118385	2	Terminal	
139	4460945	1	Terminal, 3 Way "T" Receptacle	
140	1001116815	1	Connector, 3 Pin	

SECTION 10 - ELECTRICAL

FIGURE 10-31. FRAME BASE JUMPER HARNESS



ART_1001142011-A

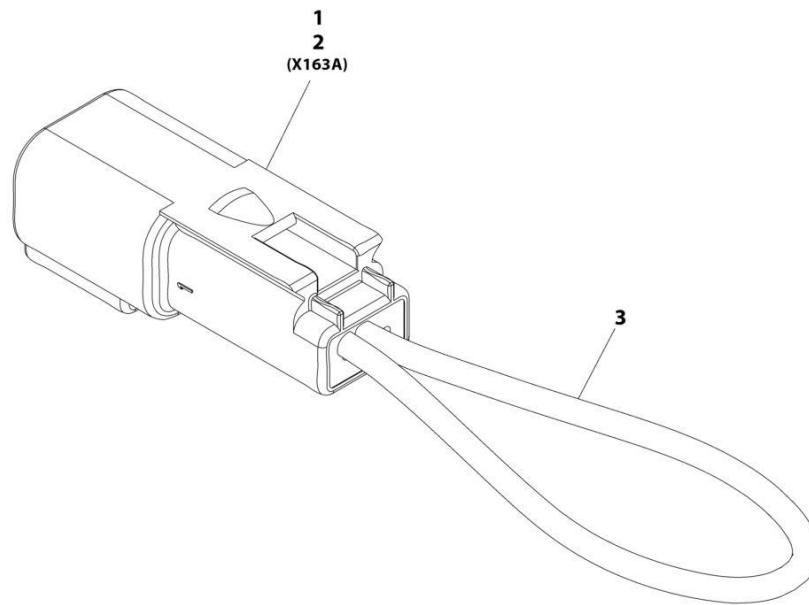
SECTION 10 - ELECTRICAL

FIGURE 10-31. FRAME BASE JUMPER HARNESS

ITEM	PART NUMBER	QTY	DESCRIPTION	REV
	1001142011	Ref	Frame Base Jumper Harness	A
1	4460970	1	Connector	
2	4460464	6	Terminal	
3	4460466	6	Plug	
4	1001121960	1	Connector	
5	4460464	6	Terminal	
6	4460466	25	Plug	

SECTION 10 - ELECTRICAL

FIGURE 10-32. FUNCTION JUMPER HARNESS



ART_1001122280-B

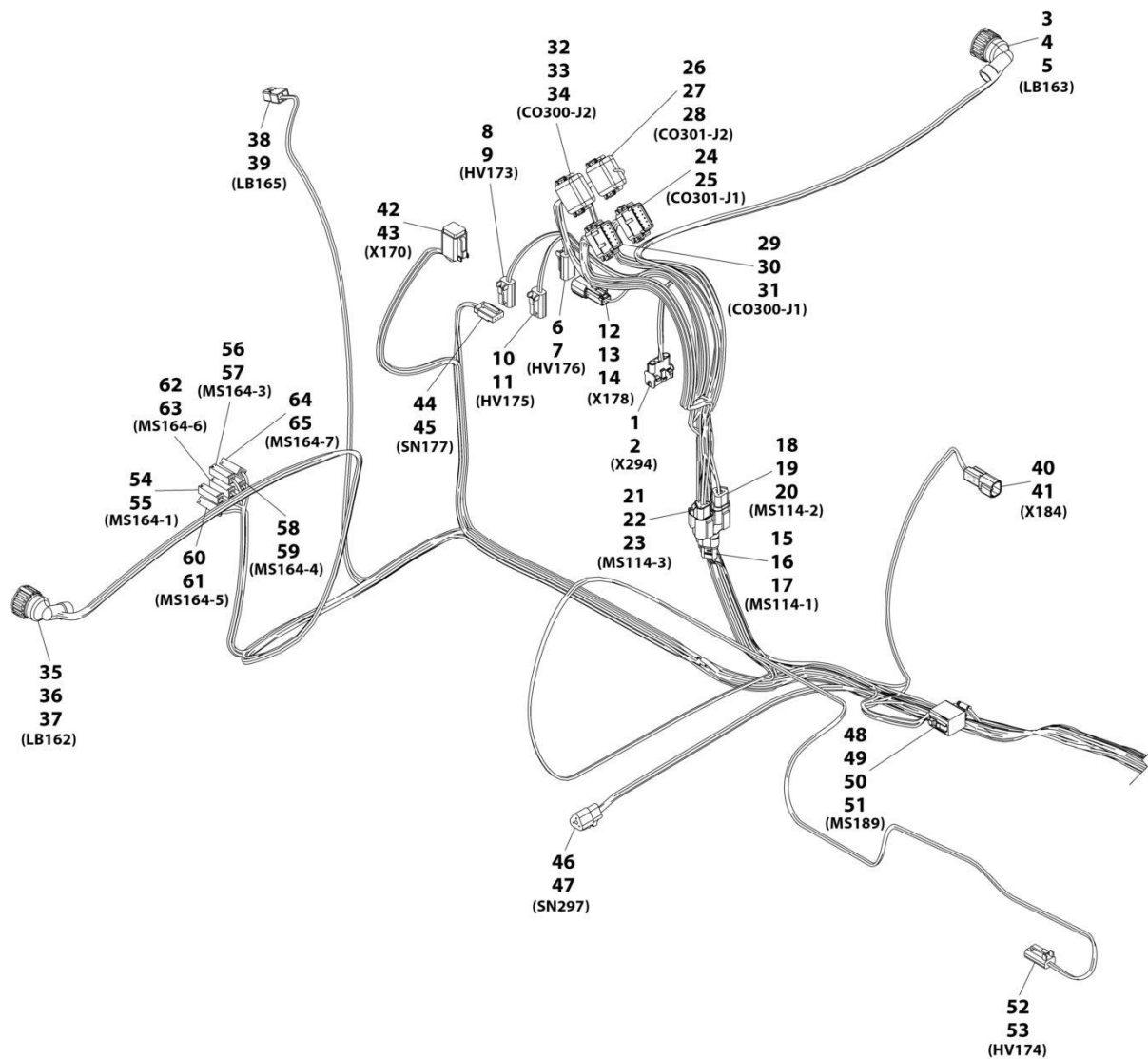
SECTION 10 - ELECTRICAL

FIGURE 10-32. FUNCTION JUMPER HARNESS

ITEM	PART NUMBER	QTY	DESCRIPTION	REV
	1001122280	Ref	Function Jumper Harness	B
1	4460464	2	Terminal	
2	4460897	1	Connector	
3	4920017	118 mm	Wire, 16 GA	

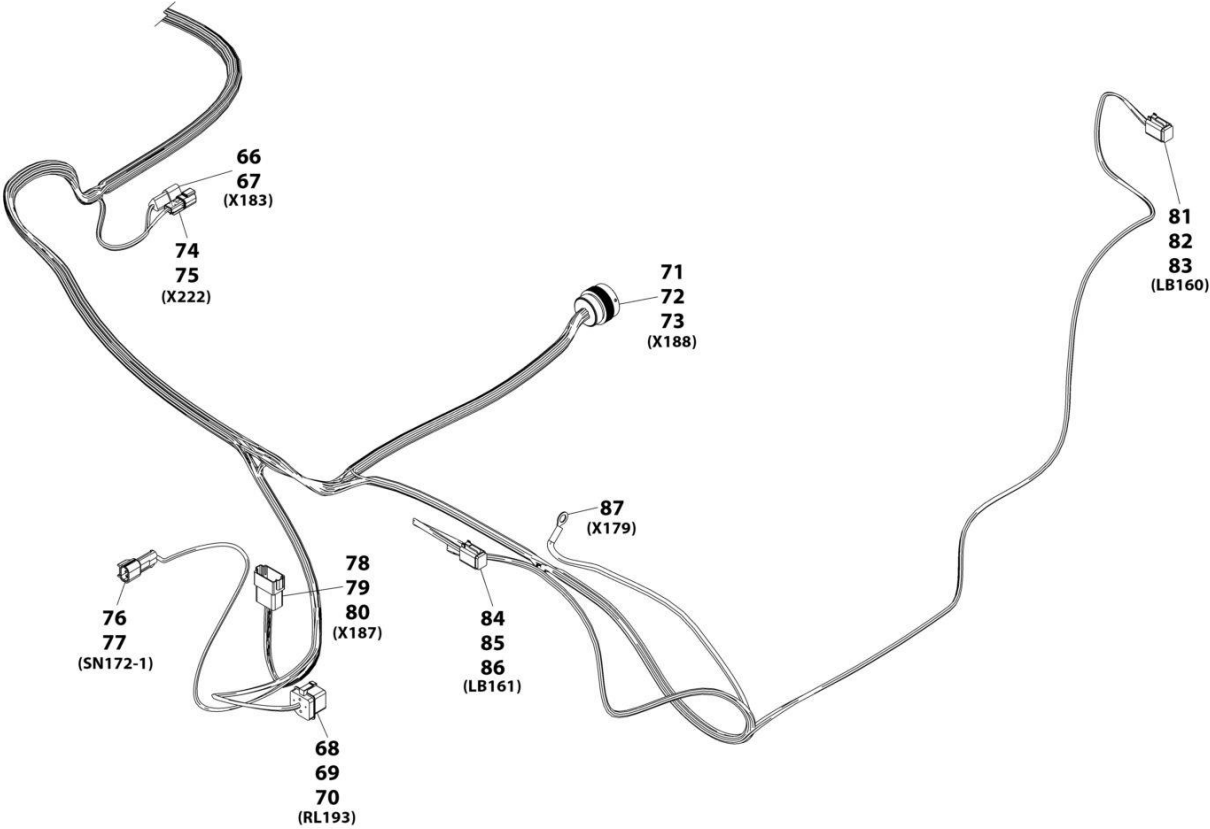
SECTION 10 - ELECTRICAL

FIGURE 10-33. FRAME OPTION HARNESS



ART_1001140635_1-D

SECTION 10 - ELECTRICAL



ART_1001140635_2-D

SECTION 10 - ELECTRICAL

FIGURE 10-33. FRAME OPTION HARNESS

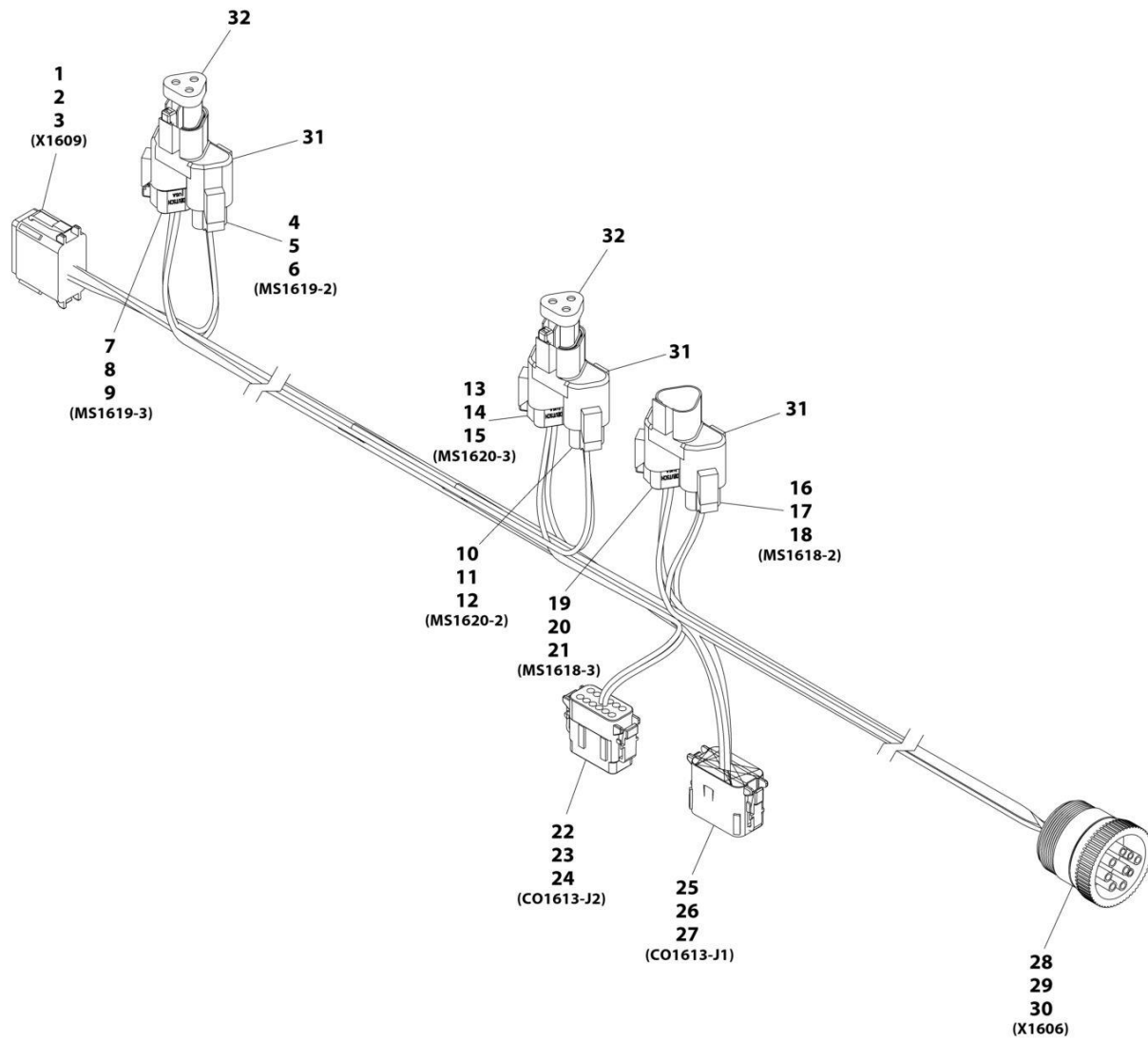
ITEM	PART NUMBER	QTY	DESCRIPTION	REV
	1001140635	Ref	Frame Option Harness	D
1	4460761	1	Connector	
2	4460227	4	Terminal	
3	1001116996	1	Connector	
4	1001118392	5	Terminal	
5	4461008	2	Plug	
6	4460891	1	Connector	
7	4460465	2	Terminal	
8	4460891	1	Connector	
9	4460465	2	Terminal	
10	4460891	1	Connector	
11	4460465	2	Terminal	
12	4460897	1	Connector	
13	4460464	1	Terminal	
14	4460466	1	Plug	
15	1001116812	1	Connector	
16	4460945	1	Terminal, 3 Way "T" Receptacle	
17	4460465	3	Terminal	
18	4460539	1	Connector	
19	4460465	2	Terminal	
20	4460466	1	Plug	
21	1001116812	1	Connector	
22	4460465	2	Terminal	
23	4460466	1	Plug	
24	1001116808	1	Connector	
25	1001126008	12	Terminal	
26	1001116774	1	Connector	
27	1001126008	8	Terminal	
28	4460518	4	Plug	
29	1001116808	1	Connector	
30	1001126008	7	Terminal	
31	4460518	5	Plug	
32	1001116774	1	Connector	
33	1001126008	5	Terminal	
34	4460518	7	Plug	
35	1001116996	1	Connector	
36	1001118392	5	Terminal	
37	4461008	2	Plug	
38	1001117133	1	Connector	
39	1001118385	2	Terminal	
40	4460897	1	Connector	
41	4460464	2	Terminal	
42	4460894	1	Connector	
43	4460465	6	Terminal	
44	4460911	1	Connector	
45	1001126008	3	Terminal	
46	4460539	1	Connector	
47	4460465	4	Terminal	
48	4460851	1	Connector	
49	4460852	1	Connector, 8 Pin	

SECTION 10 - ELECTRICAL

ITEM	PART NUMBER	QTY	DESCRIPTION	REV
50	4460465	7	Terminal	
51	4460466	1	Plug	
52	4460891	1	Connector	
53	4460465	2	Terminal	
54	4460260	1	Connector	
55	4460259	1	Terminal	
56	4460260	1	Connector	
57	4460259	1	Terminal	
58	4460260	1	Connector	
59	4460259	1	Terminal	
60	4460260	1	Connector	
61	4460259	1	Terminal	
62	4460260	1	Connector	
63	4460259	1	Terminal	
64	4460260	1	Connector	
65	4460259	1	Terminal	
66	4460536	1	Connector	
67	4460464	3	Terminal	
68	4460374	1	Connector	
69	1001116733	4	Terminal	
70	1001128128	1	Plug	
71	1001121960	1	Connector	
72	4460464	28	Terminal	
73	4460466	3	Plug	
74	4460897	1	Connector	
75	4460464	2	Terminal	
76	1001117026	1	Connector	
77	1001116729	2	Terminal	
78	4460970	1	Connector	
79	4460464	9	Terminal	
80	4460466	3	Plug	
81	4460894	1	Connector	
82	4460465	5	Terminal	
83	4460466	1	Plug	
84	4460894	1	Connector	
85	4460465	5	Terminal	
86	4460466	1	Plug	
87	8220164	1	Terminal, Ring	

SECTION 10 - ELECTRICAL

FIGURE 10-34. TELEMATICS GATEWAY HARNESS



ART_1001226831-A

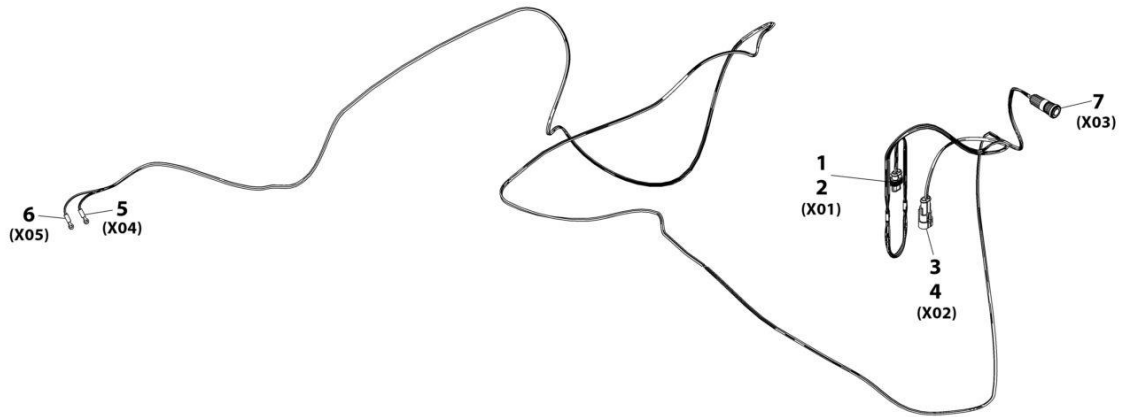
SECTION 10 - ELECTRICAL

FIGURE 10-34. TELEMATICS GATEWAY HARNESS

ITEM	PART NUMBER	QTY	DESCRIPTION	REV
	1001226831	Ref	Telematics Gateway Harness	A
1	4460933	1	Connector	
2	1001116692	5	Terminal	
3	4460466	7	Plug	
4	4460539	1	Connector	
5	4460465	2	Terminal	
6	4460466	1	Plug	
7	1001116812	1	Connector	
8	4460465	2	Terminal	
9	4460466	1	Plug	
10	4460539	1	Connector	
11	4460465	2	Terminal	
12	4460466	1	Plug	
13	1001116812	1	Connector	
14	4460465	2	Terminal	
15	4460466	1	Plug	
16	4460539	1	Connector	
17	4460465	2	Terminal	
18	4460466	1	Plug	
19	1001116812	1	Connector	
20	4460465	2	Terminal	
21	4460466	1	Plug	
22	1001116808	1	Connector	
23	1001116694	2	Terminal	
24	4460518	10	Plug	
25	1001116774	1	Connector	
26	1001116694	4	Terminal	
27	4460518	8	Plug	
28	1001112796	1	Connector	
29	1001116692	5	Terminal	
30	4460466	3	Plug	
31	4460945	3	Terminal, 3 Way "T" Receptacle	
32	1001116815	2	Connector, Plug 3-Pin	

SECTION 10 - ELECTRICAL

FIGURE 10-35. REVERSE SENSOR HARNESS



ART_1001190914-B

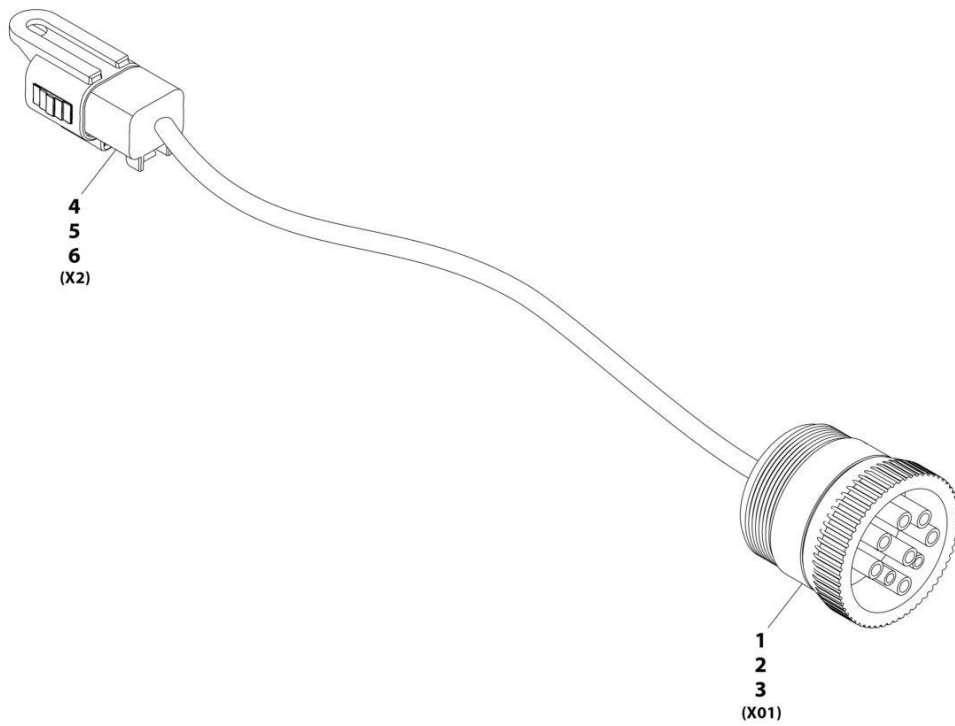
SECTION 10 - ELECTRICAL

FIGURE 10-35. REVERSE SENSOR HARNESS

ITEM	PART NUMBER	QTY	DESCRIPTION	REV
	1001190914	Ref	Reverse Sensor Harness	B
1	4461118	1	Connector	
2	1001107854	2	Terminal	
3	4461227	1	Connector	
4	1001104497	2	Terminal	
5	1001098122	1	Terminal, Ring	
6	1001098122	1	Terminal, Ring	
7	1001175733	1	Connector	

SECTION 10 - ELECTRICAL

FIGURE 10-36. TELEMATICS READY HARNESS



ART_1001196461-A

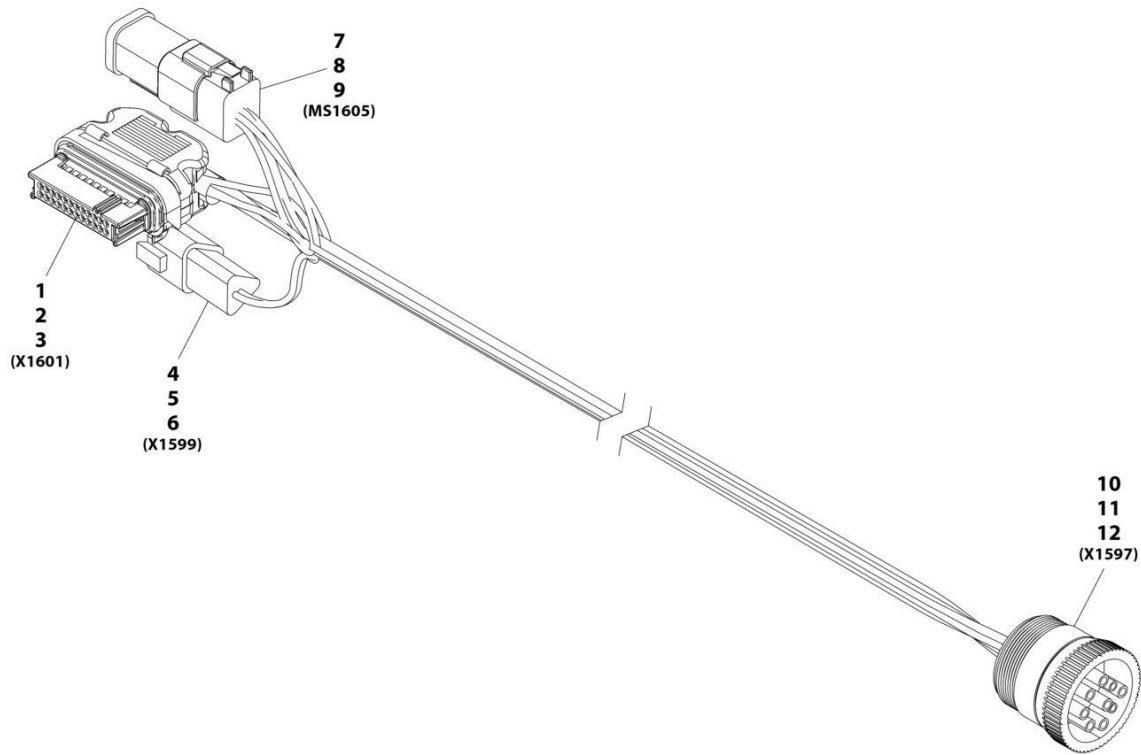
SECTION 10 - ELECTRICAL

FIGURE 10-36. TELEMATICS READY HARNESS

ITEM	PART NUMBER	QTY	DESCRIPTION	REV
	1001196461	Ref	Telematics Ready Harness	A
1	1001112796	1	Connector	
2	4460465	3	Terminal	
3	4460466	6	Plug	
4	4460884	1	Connector	
5	4460465	3	Terminal	
6	4460466	1	Plug	

SECTION 10 - ELECTRICAL

FIGURE 10-37. CLEARSKY HARNESS



ART_1001226739-A

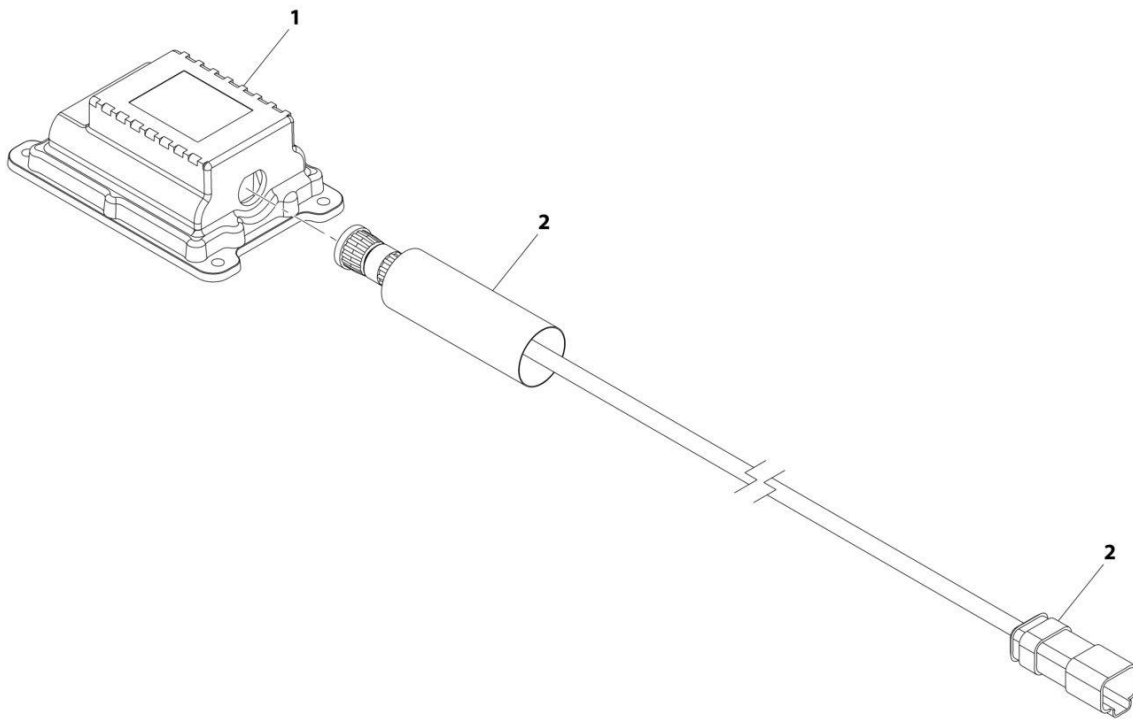
SECTION 10 - ELECTRICAL

FIGURE 10-37. CLEARSKY HARNESS

ITEM	PART NUMBER	QTY	DESCRIPTION	REV
	1001226739	Ref	Clearsky Harness	A
1	1001226636	1	Connector	
2	1001116731	16	Plug	
3	1001226637	8	Terminal	
4	1001144147	1	Connector	
5	4460464	2	Terminal	
6	4460466	1	Plug	
7	4460894	1	Connector	
8	4460465	6	Terminal	
9	1001226541	1	Connector, DT 6 Pin 2X3 Busbar	
10	1001112796	1	Connector	
11	4460465	8	Terminal	
12	4460466	1	Plug	

SECTION 10 - ELECTRICAL

FIGURE 10-38. CLEARSKY INSTALLATION 3-WIRE (ANSI)



ART_1001229107-C

SECTION 10 - ELECTRICAL

FIGURE 10-38. CLEARSKY INSTALLATION 3-WIRE (ANSI)

ITEM	PART NUMBER	QTY	DESCRIPTION	REV
	1001229107	Ref	Clearsky Installation 3-Wire	C
1	1001226328	1	Module, 3W TCU	
2	1001227066	1	Telematics Harness (See Separate Breakdown in this Section)	

SECTION 10 - ELECTRICAL

FIGURE 10-39. BOOM SENSOR HARNESS



ART_1001129801-A

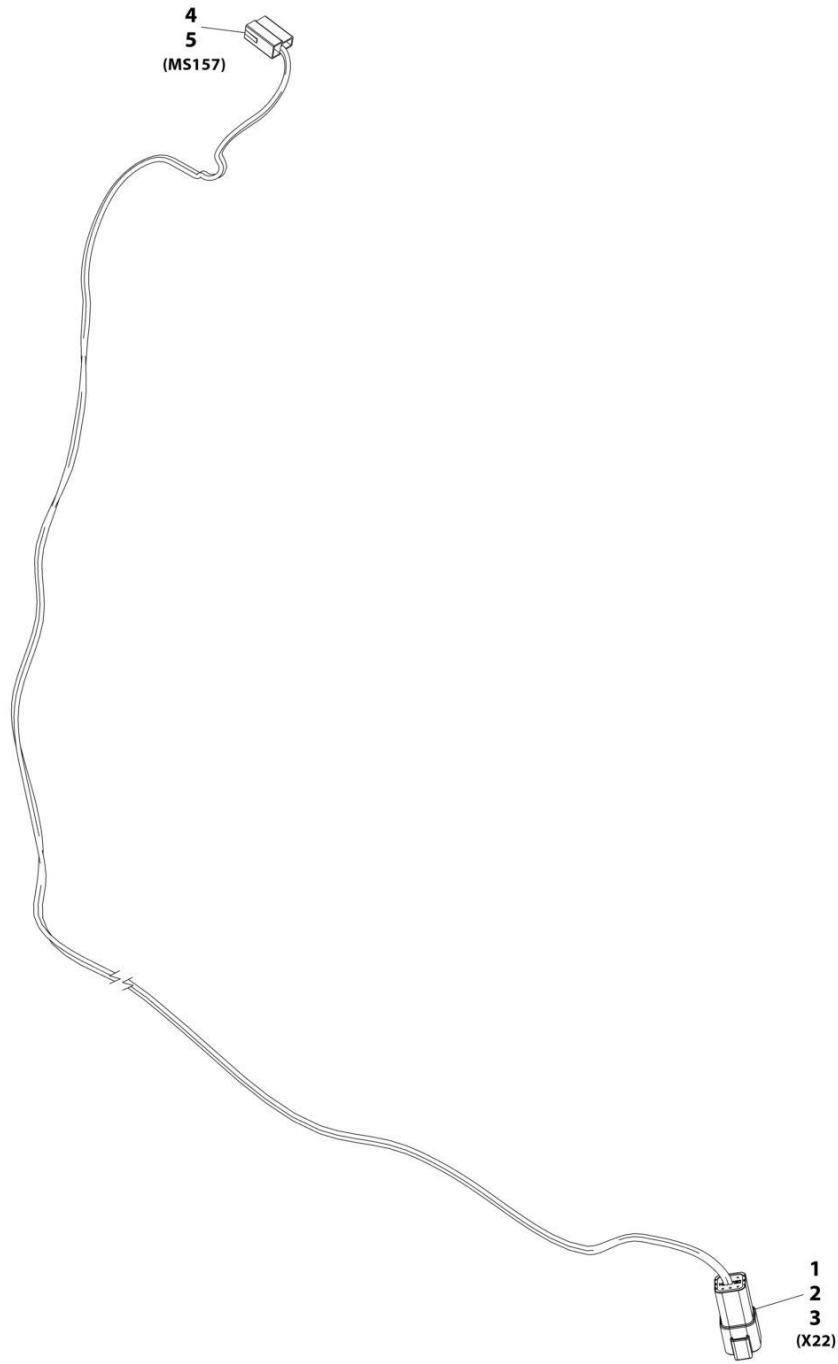
SECTION 10 - ELECTRICAL

FIGURE 10-39. BOOM SENSOR HARNESS

ITEM	PART NUMBER	QTY	DESCRIPTION	REV
	1001129801	Ref	Boom Sensor Harness	A
1	4460899	1	Connector	
2	4460464	6	Terminal	
3	4461262	1	Connector	
4	1001107854	3	Terminal	
5	4461262	1	Connector	
6	1001107854	3	Terminal	

SECTION 10 - ELECTRICAL

FIGURE 10-40. OPEN CAB WORKLIGHT HARNESS



ART_1001110723-B

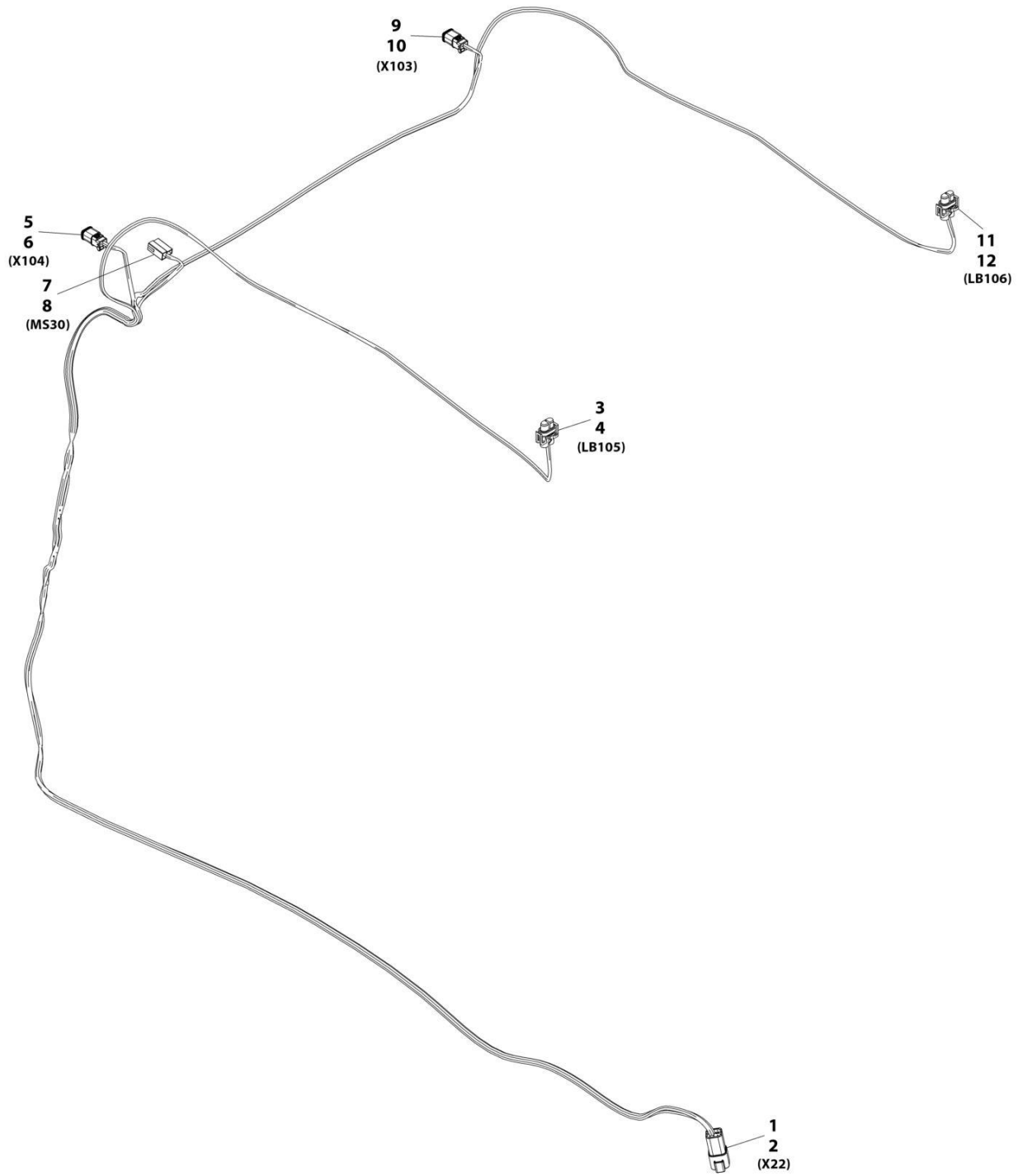
SECTION 10 - ELECTRICAL

FIGURE 10-40. OPEN CAB WORKLIGHT HARNESS

ITEM	PART NUMBER	QTY	DESCRIPTION	REV
	1001110723	Ref	Open Cab Worklight Harness	B
1	4460899	1	Connector	
2	4460466	4	Plug	
3	4460464	2	Terminal	
4	4460994	1	Connector	
5	1001104519	2	Terminal	

SECTION 10 - ELECTRICAL

FIGURE 10-41. CAB WORKLIGHT HARNESS



ART_1001111156-C

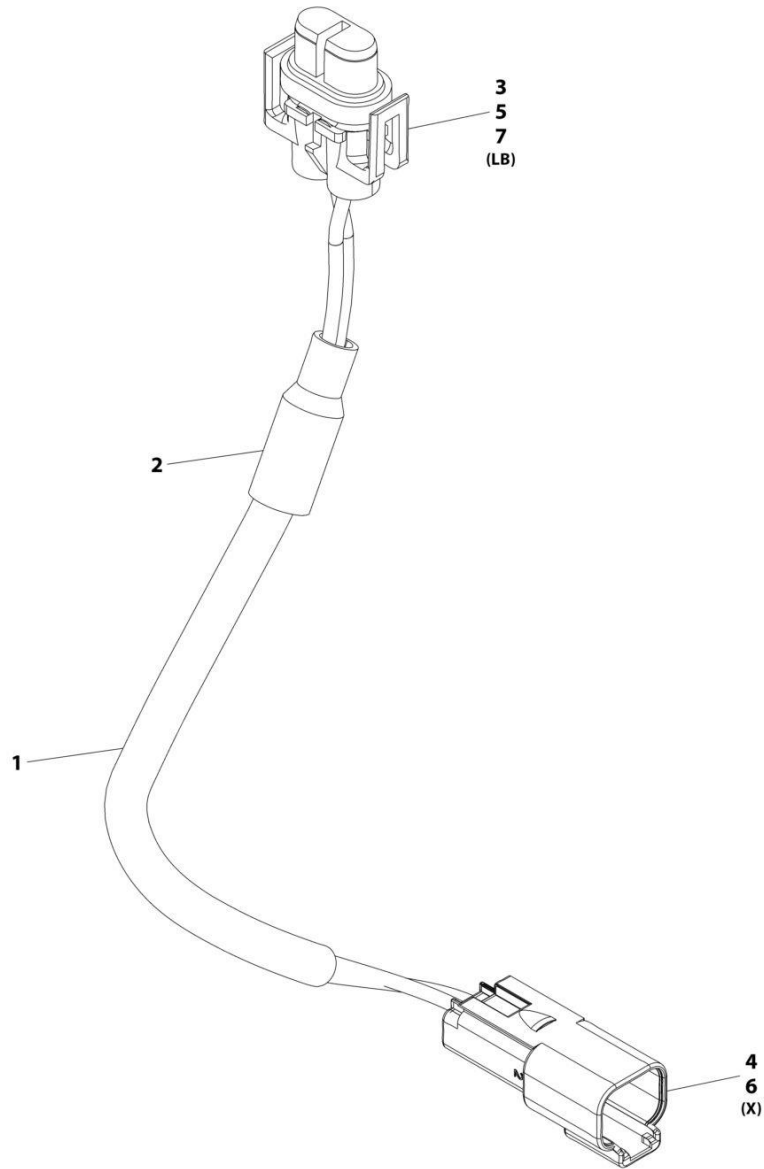
SECTION 10 - ELECTRICAL

FIGURE 10-41. CAB WORKLIGHT HARNESS

ITEM	PART NUMBER	QTY	DESCRIPTION	REV
	1001111156	Ref	Cab Worklight Harness	C
1	4460899	1	Connector	
2	4460464	6	Terminal	
3	4461115	1	Connector	
4	4460746	2	Terminal	
5	4460891	1	Connector	
6	4460465	2	Terminal	
7	4460994	1	Connector	
8	1001104519	2	Terminal	
9	4460891	1	Connector	
10	4460465	2	Terminal	
11	4461115	1	Connector	
12	4460746	2	Terminal	

SECTION 10 - ELECTRICAL

FIGURE 10-42. BOOM WORKLIGHT JUMPER HARNESS (LONG)



ART_1001142981-B

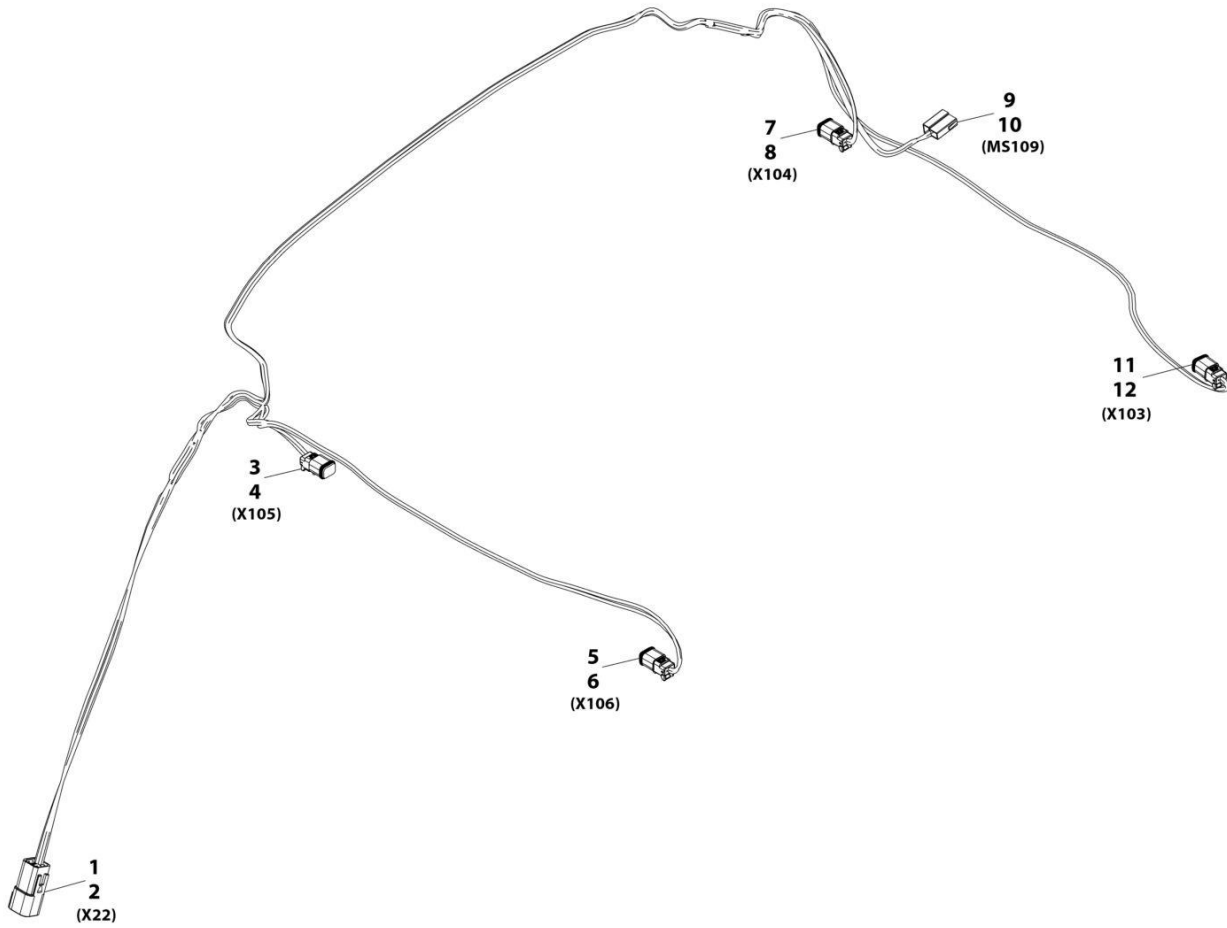
SECTION 10 - ELECTRICAL

FIGURE 10-42. BOOM WORKLIGHT JUMPER HARNESS (LONG)

ITEM	PART NUMBER	QTY	DESCRIPTION	REV
	1001142981	Ref	Boom Worklight Jumper Harness (Long)	B
1	1060680	2 ft	Cable	
2	2820019	0.12 ft	Insulate, Tubing Shrink	
3	4460458	2	Seal	
4	4460464	2	Terminal	
5	4460746	2	Terminal	
6	4460897	1	Connector	
7	4461115	1	Connector	

SECTION 10 - ELECTRICAL

FIGURE 10-43. PROXIMITY SENSOR HARNESS



ART_1001109566-B

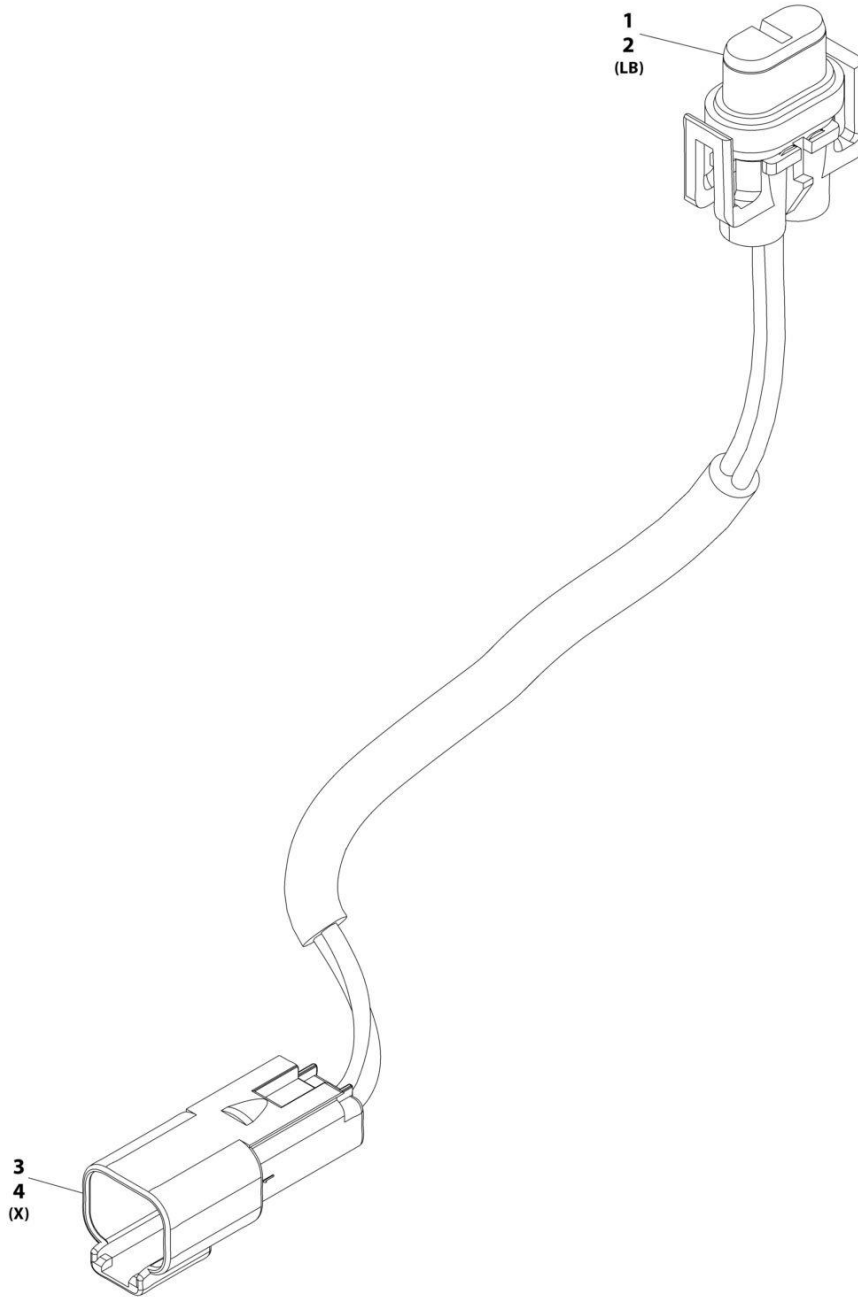
SECTION 10 - ELECTRICAL

FIGURE 10-43. PROXIMITY SENSOR HARNESS

ITEM	PART NUMBER	QTY	DESCRIPTION	REV
	1001109566	Ref	Proximity Sensor Harness	B
1	4460899	1	Connector	
2	4460464	6	Terminal	
3	4460891	1	Connector	
4	4460465	2	Terminal	
5	4460891	1	Connector	
6	4460465	2	Terminal	
7	4460891	1	Connector	
8	4460465	2	Terminal	
9	4460994	1	Connector	
10	1001104519	2	Terminal	
11	4460891	1	Connector	
12	4460465	2	Terminal	

SECTION 10 - ELECTRICAL

FIGURE 10-44. BOOM WORKLIGHT JUMPER HARNESS (SHORT)



ART_1001109565-E

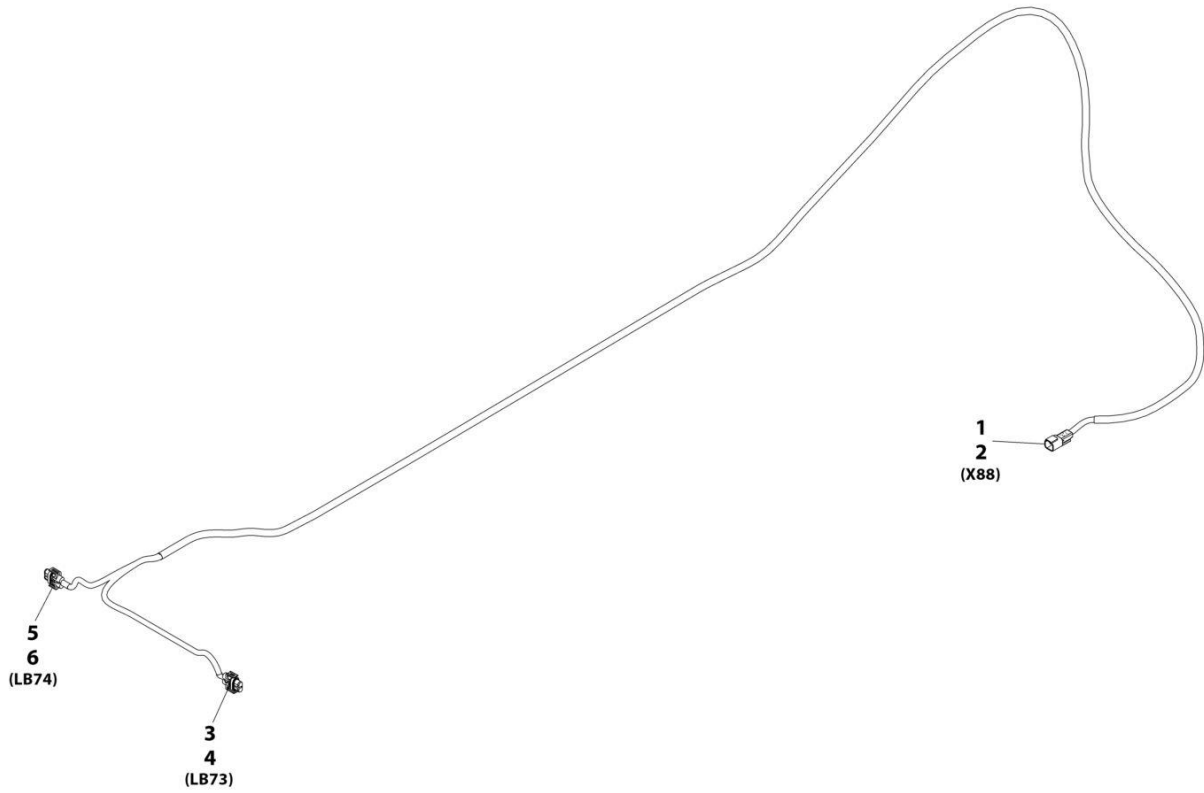
SECTION 10 - ELECTRICAL

FIGURE 10-44. BOOM WORKLIGHT JUMPER HARNESS (SHORT)

ITEM	PART NUMBER	QTY	DESCRIPTION	REV
	1001109565	Ref	Boom Worklight Jumper Harness (Short)	E
1	4461115	1	Connector	
2	4460746	2	Terminal	
3	4460897	1	Connector	
4	4460464	2	Terminal	

SECTION 10 - ELECTRICAL

FIGURE 10-45. BOOM WORKLIGHTS HARNESS



ART_1001080656-C

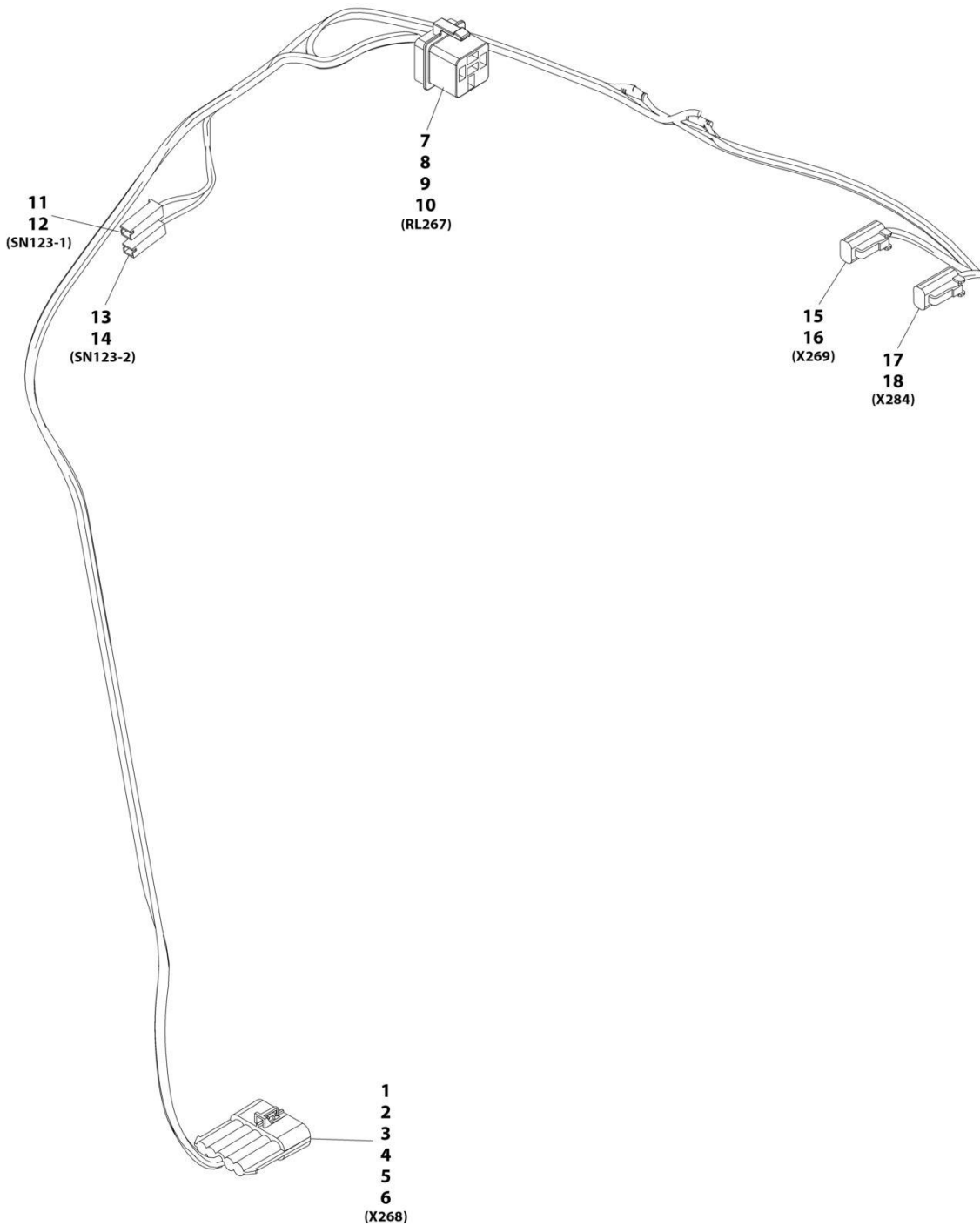
SECTION 10 - ELECTRICAL

FIGURE 10-45. BOOM WORKLIGHTS HARNESS

ITEM	PART NUMBER	QTY	DESCRIPTION	REV
	1001080656	Ref	Boom Worklights Harness	C
1	4460897	1	Connector	
2	4460464	2	Terminal	
3	4461115	1	Connector	
4	4460746	2	Terminal	
5	4461115	1	Connector	
6	4460746	2	Terminal	

SECTION 10 - ELECTRICAL

FIGURE 10-46. CONDENSOR FAN HARNESS



ART_1001142236-B

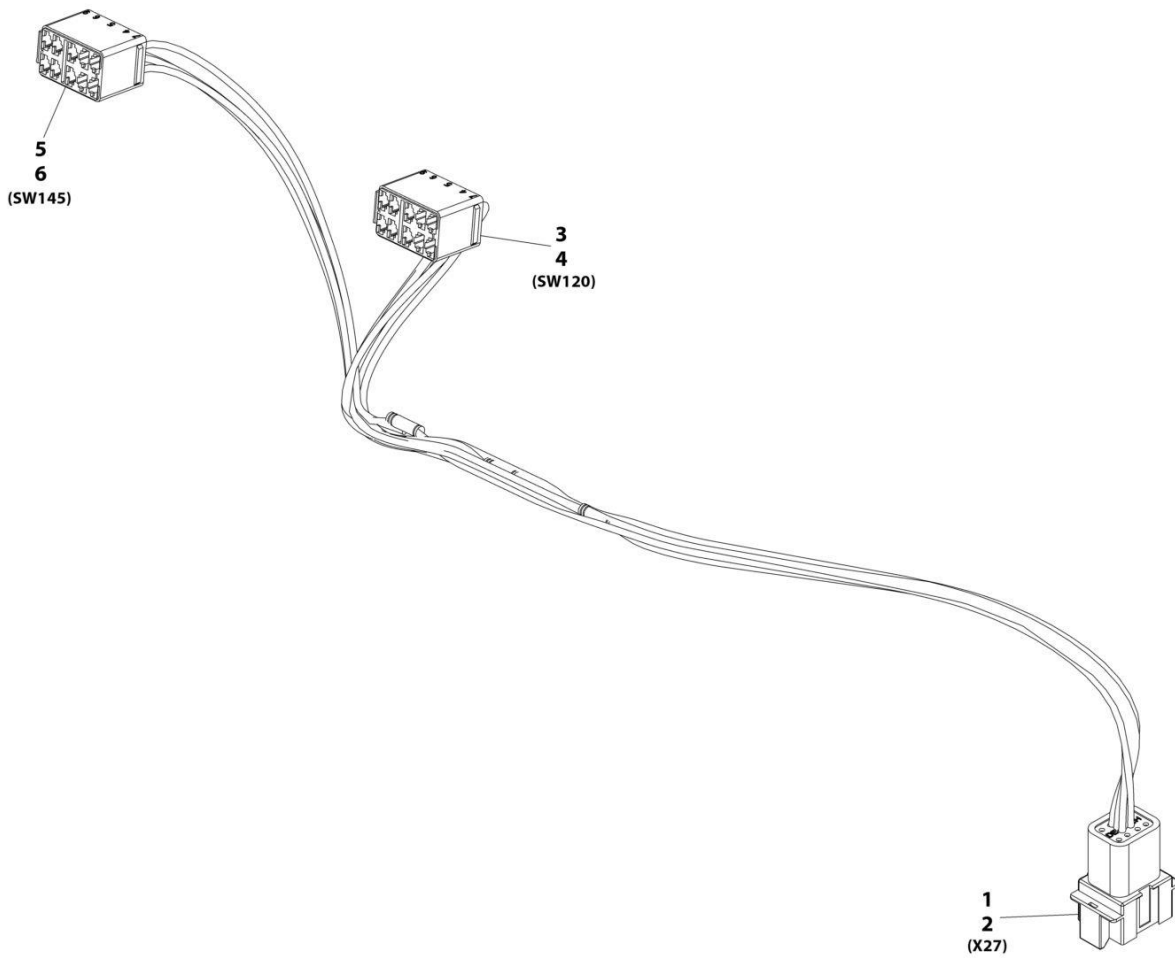
SECTION 10 - ELECTRICAL

FIGURE 10-46. CONDENSOR FAN HARNESS

ITEM	PART NUMBER	QTY	DESCRIPTION	REV
	1001142236	Ref	Condensator Fan Harness	B
1	1001121727	1	Connector	
2	8220162	2	Terminal	
3	1001116729	2	Terminal	
4	1001116727	1	Plug	
5	8220089	2	Seal	
6	4460458	2	Seal	
7	4460374	1	Connector	
8	1001116734	2	Terminal	
9	1001116733	2	Terminal	
10	1001128128	1	Plug	
11	4460260	1	Connector	
12	4460259	1	Terminal	
13	4460260	1	Connector	
14	4460259	1	Terminal	
15	4460891	1	Connector	
16	4460942	2	Terminal	
17	4460891	1	Connector	
18	4460942	2	Terminal	

SECTION 10 - ELECTRICAL

FIGURE 10-47. MODE SELECT HARNESS



ART_1001098235-D

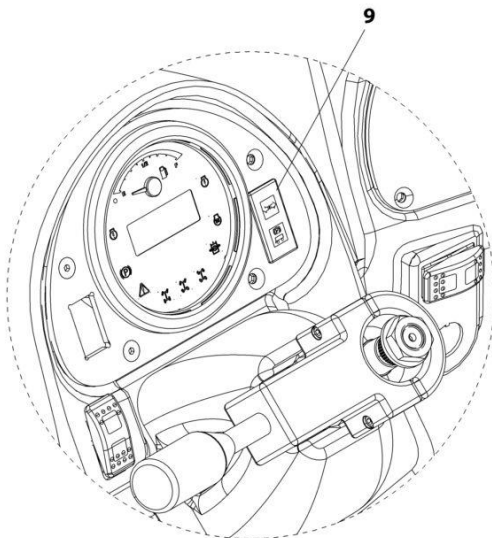
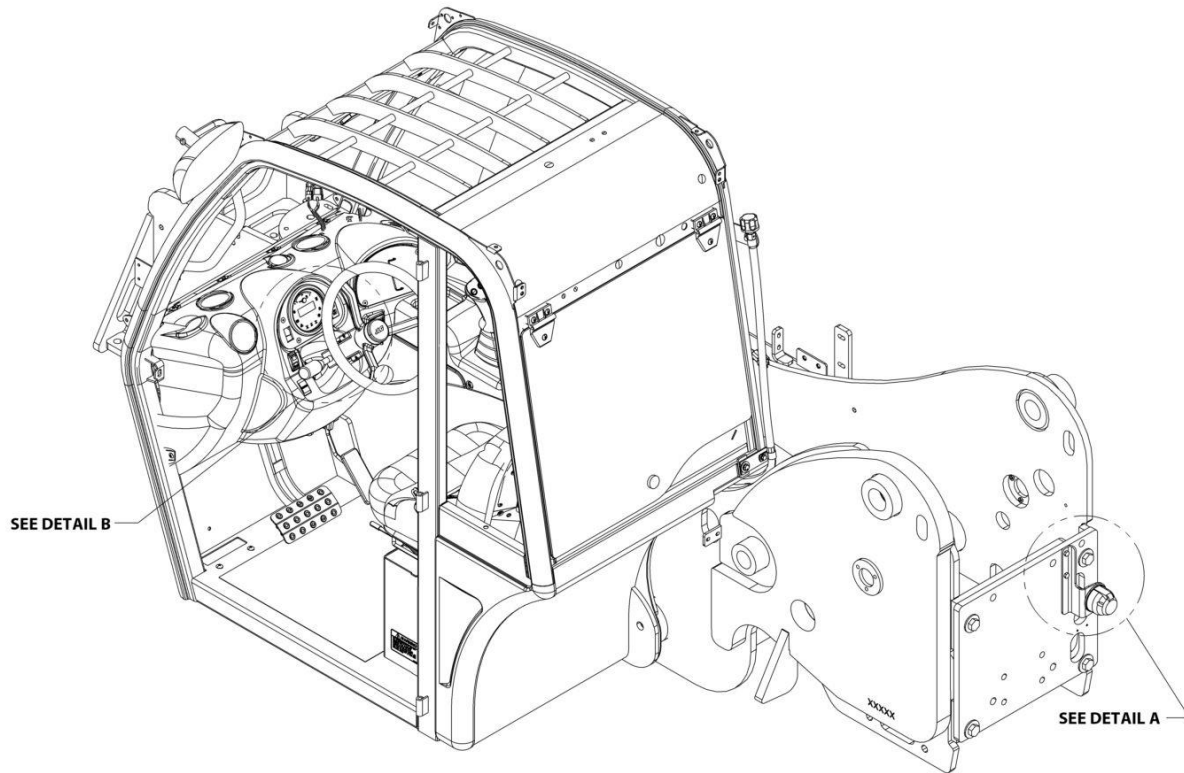
SECTION 10 - ELECTRICAL

FIGURE 10-47. MODE SELECT HARNESS

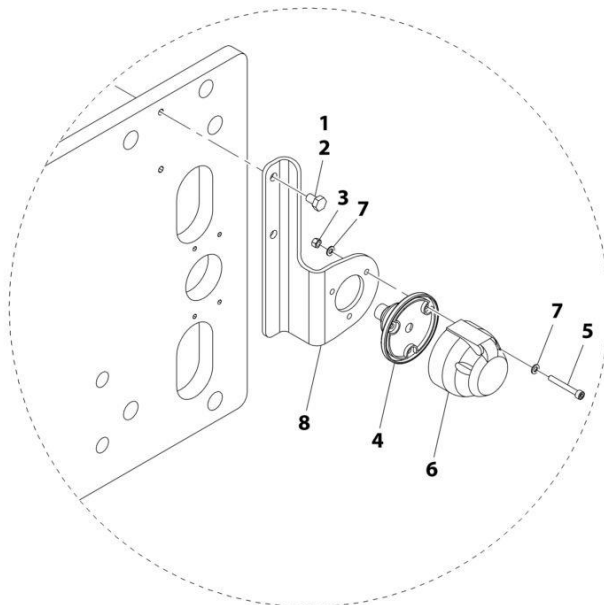
ITEM	PART NUMBER	QTY	DESCRIPTION	REV
	1001098235	Ref	Mode Select Harness	D
1	4460931	1	Connector	
2	4460464	8	Terminal	
3	1001117081	1	Connector	
4	1001104519	7	Terminal	
5	1001117081	1	Connector	
6	1001104519	4	Terminal	

SECTION 10 - ELECTRICAL

FIGURE 10-48. TRAILER PLUG INSTALLATION (7 PIN)



DETAIL B



DETAIL A

ART_1001200850-A

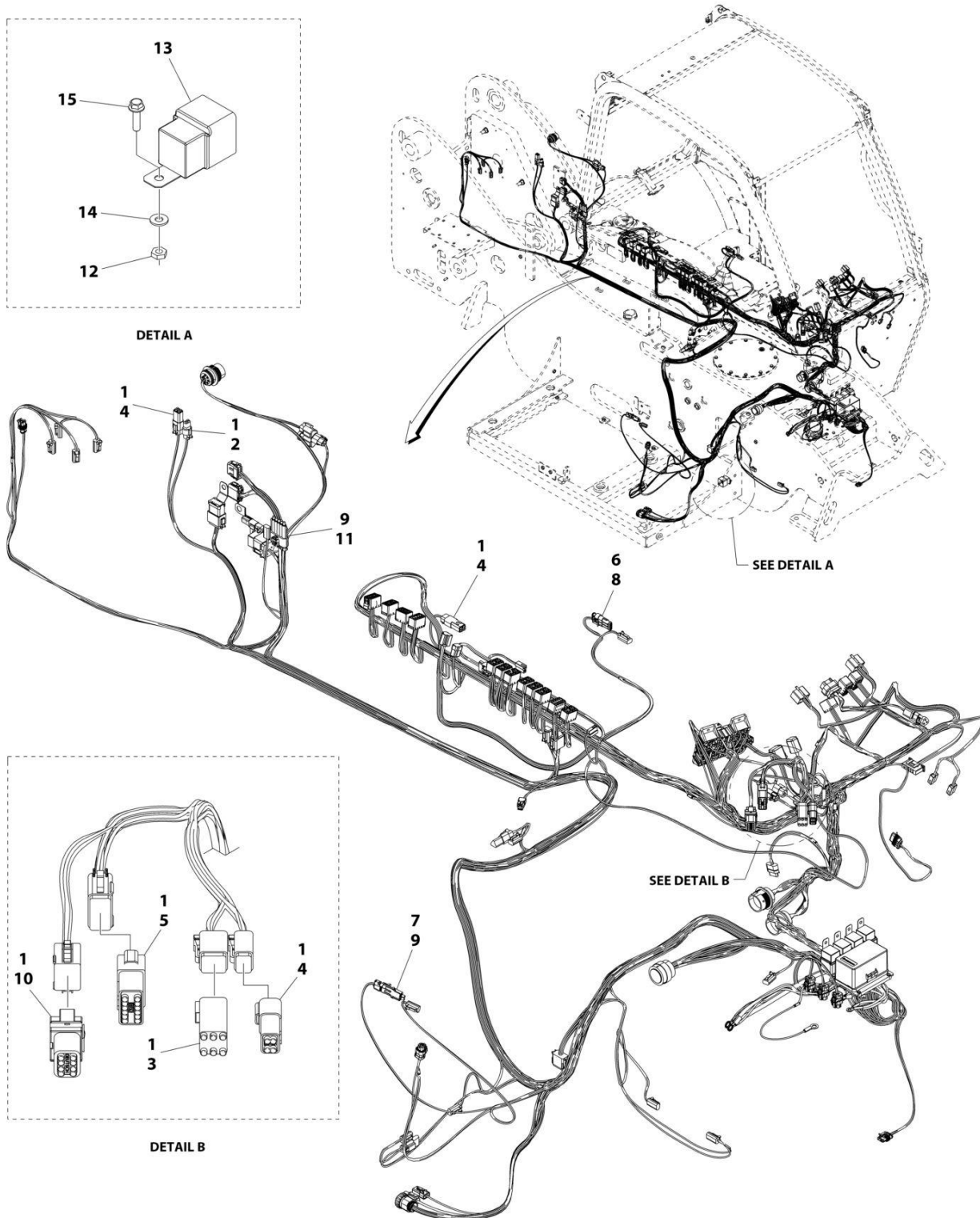
SECTION 10 - ELECTRICAL

FIGURE 10-48. TRAILER PLUG INSTALLATION (7 PIN)

ITEM	PART NUMBER	QTY	DESCRIPTION	REV
	1001200850	Ref	Trailer Plug Installation (7 Pin)	A
1	0100011	AR	Loctite 242	
2	0760806	2	Hex HD Capscrew, M8X12, GR8.8	
3	3290507	3	Hex Locknut, M5X0.8	
4	3960600	1	Trailer Plug Gasket	
5	4031612	3	Hex HD Capscrew, M5X40	
6	4461021	1	Trailer Plug	
7	4811600	6	Washer, M5	
8	1001080686	1	Trailer Plug Bracket	
9	1001139938	1	Trailer Indicator	

SECTION 10 - ELECTRICAL

FIGURE 10-49. ELECTRICAL HARNESS CAPS INSTALLATION



ART_1001150705-C

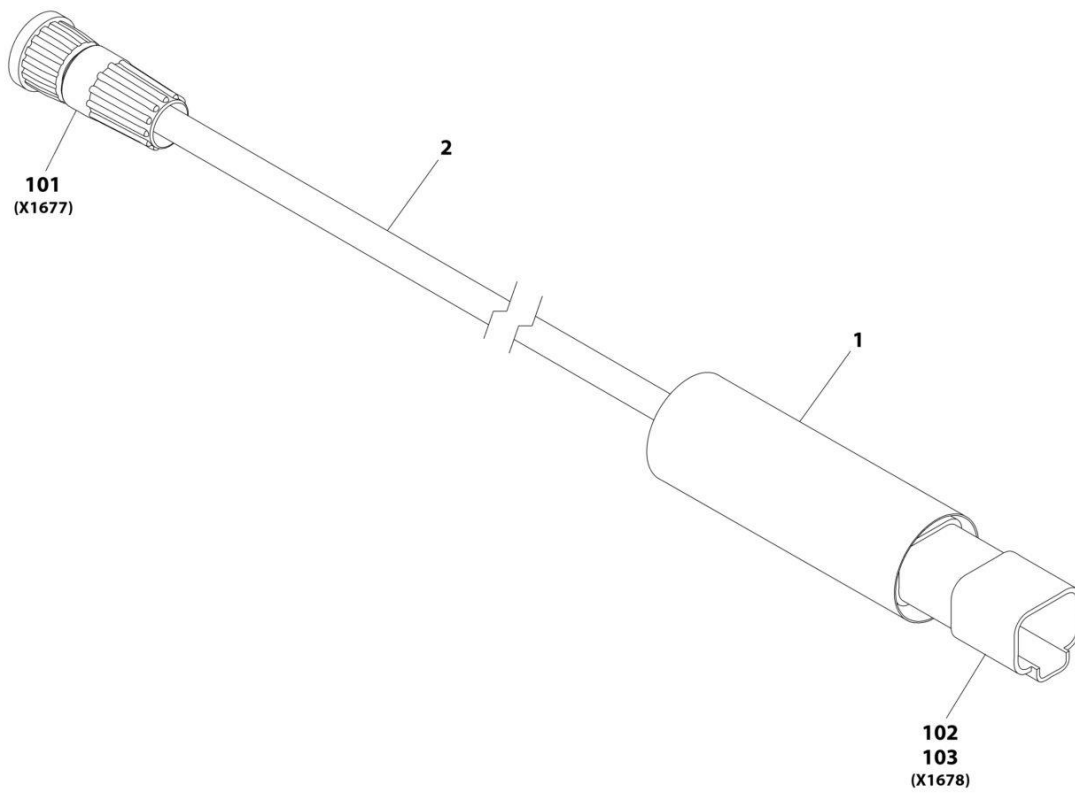
SECTION 10 - ELECTRICAL

FIGURE 10-49. ELECTRICAL HARNESS CAPS INSTALLATION

ITEM	PART NUMBER	QTY	DESCRIPTION	REV
	1001150705	Ref	Electrical Harness Caps Installation	C
1	4460466	40	Terminal Plug	
2	4460897	1	Terminal, 2 Position Receptacle	
3	4460899	1	Connector	
4	4460932	3	Connector	
5	4460970	1	Connector	
6	4461119	1	Connector	
7	80963058	1	Connector	
8	1001116698	3	Plug	
9	1001116727	7	Plug	
10	1001116813	1	Connector	
11	1001121727	1	Connector	
12	3311001	1	Hex Nut, 10-24, Gr2	
13	3740080	1	Relay	
14	4711000	1	Washer, M10	
15	77143016	1	Screw, 10-24X3/4	

SECTION 10 - ELECTRICAL

FIGURE 10-50. TELEMATICS HARNESS



ART_1001227066-A

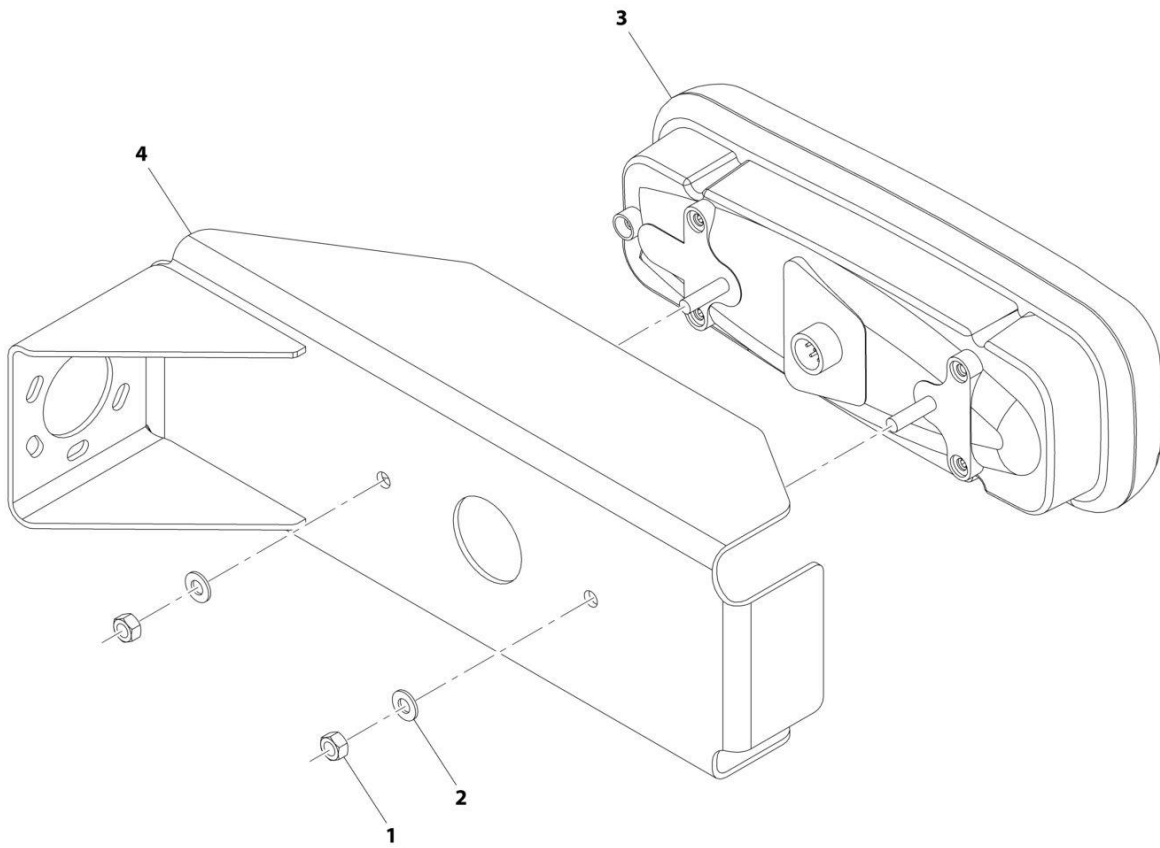
SECTION 10 - ELECTRICAL

FIGURE 10-50. TELEMATICS HARNESS

ITEM	PART NUMBER	QTY	DESCRIPTION	REV
	1001227066	Ref	Telematics Harness	A
1	1001226400	0.33 ft	Insulate, Heat Shrink	
2	1001227068	3.3 ft	Cable	
101	1001227266	1	Connector	
102	1001129407	1	Connector	
103	4460464	4	Terminal	

SECTION 10 - ELECTRICAL

FIGURE 10-51. RH TAIL LIGHT INSTALLATION



ART_1001101533-D

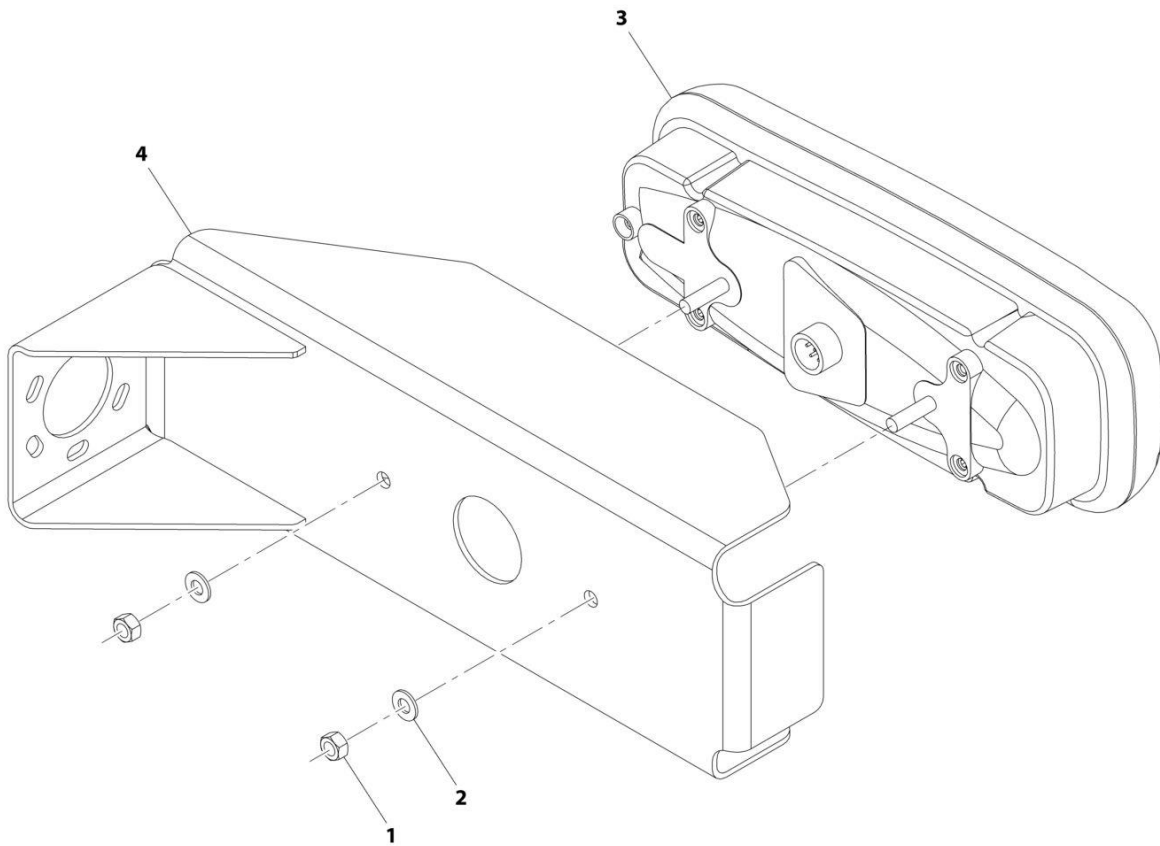
SECTION 10 - ELECTRICAL

FIGURE 10-51. RH TAIL LIGHT INSTALLATION

ITEM	PART NUMBER	QTY	DESCRIPTION	REV
	1001101533	Ref	RH Tail Light Installation	D
1	3290807	2	Hex Locknut, M8X1.25	
2	4811900	2	Washer, M8	
3	8001989	1	RH Tail Light	
4	1001081322	1	Bracket	

SECTION 10 - ELECTRICAL

FIGURE 10-52. LH TAIL LIGHT INSTALLATION



ART_1001101534-C

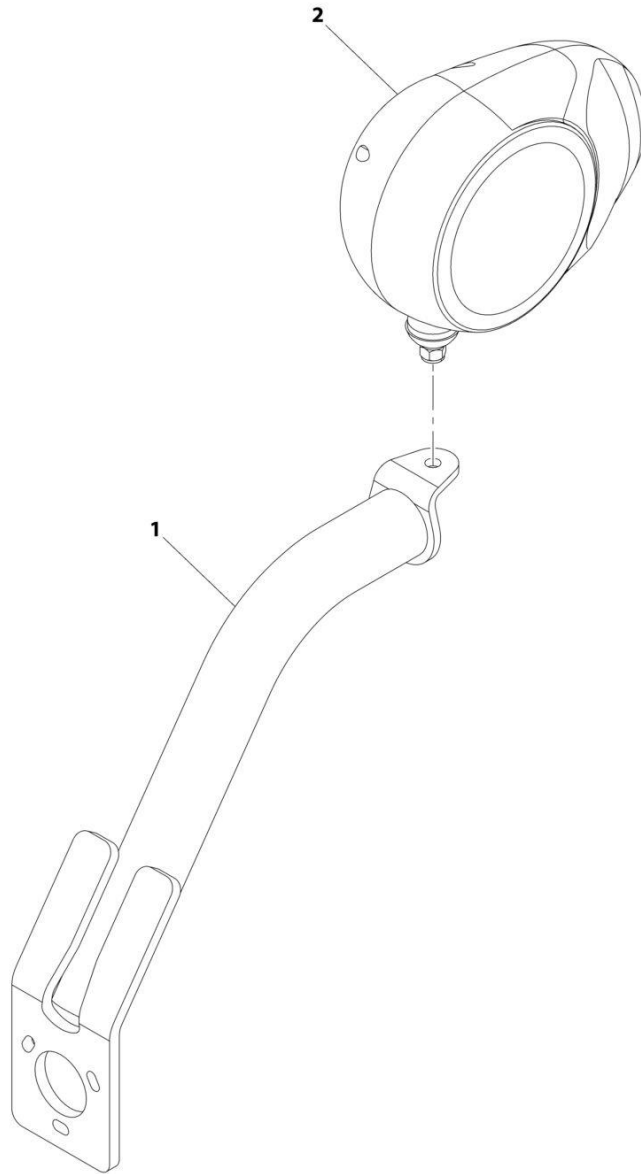
SECTION 10 - ELECTRICAL

FIGURE 10-52. LH TAIL LIGHT INSTALLATION

ITEM	PART NUMBER	QTY	DESCRIPTION	REV
	1001101534	Ref	LH Tail Light Installation	C
1	3290807	2	Hex Locknut, M8X1.25	
2	4811900	2	Washer, M8	
3	8001991	1	LH Tail Light	
4	1001081322	1	Bracket	

SECTION 10 - ELECTRICAL

FIGURE 10-53. LH DRIVE LIGHT INSTALLATION



ART_1001190709-A

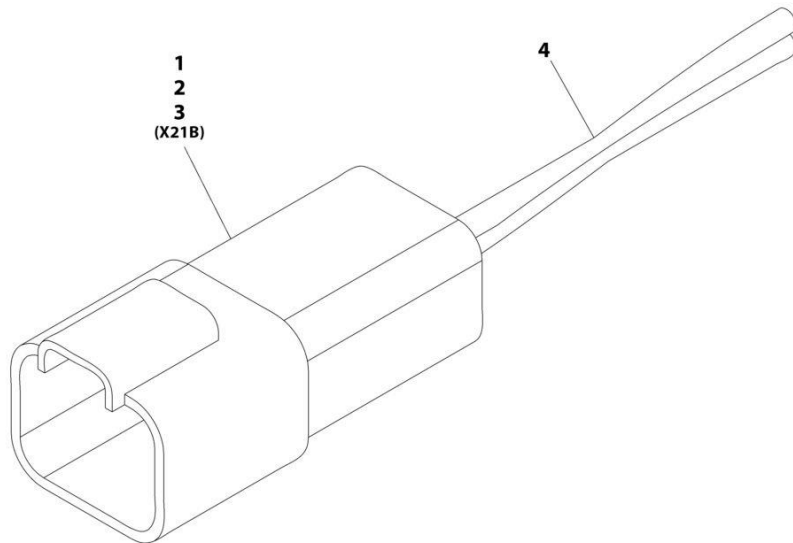
SECTION 10 - ELECTRICAL

FIGURE 10-53. LH DRIVE LIGHT INSTALLATION

ITEM	PART NUMBER	QTY	DESCRIPTION	REV
	1001190709	Ref	LH Drive Light Installation	A
1	1001190640	1	Bracket	
2	2920207	1	LH Drive Light	

SECTION 10 - ELECTRICAL

FIGURE 10-54. JUMPER HARNESS



ART_1001100965-B

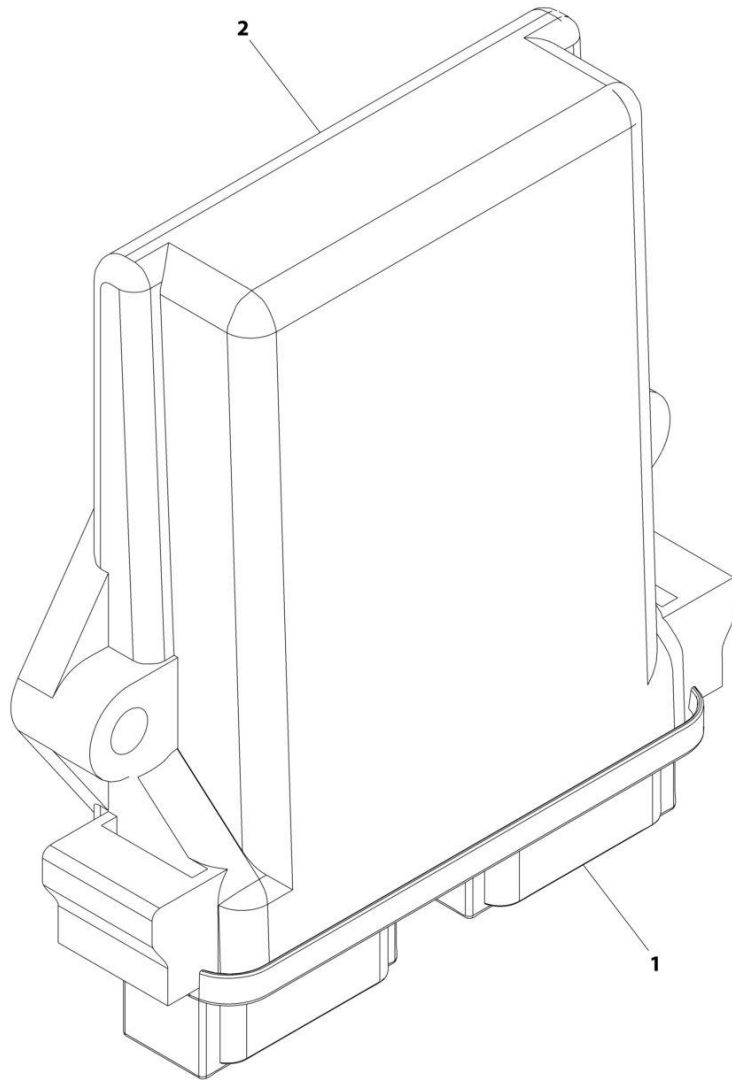
SECTION 10 - ELECTRICAL

FIGURE 10-54. JUMPER HARNESS

ITEM	PART NUMBER	QTY	DESCRIPTION	REV
	1001100965	Ref	Jumper Harness	B
1	4460464	2	Terminal	
2	4460466	2	Terminal	
3	4460932	1	Connector	
4	4920017	0.25 ft	Wire, 16 GA	

SECTION 10 - ELECTRICAL

FIGURE 10-55. GATEWAY CONTROLLER



ART_1001229458-B

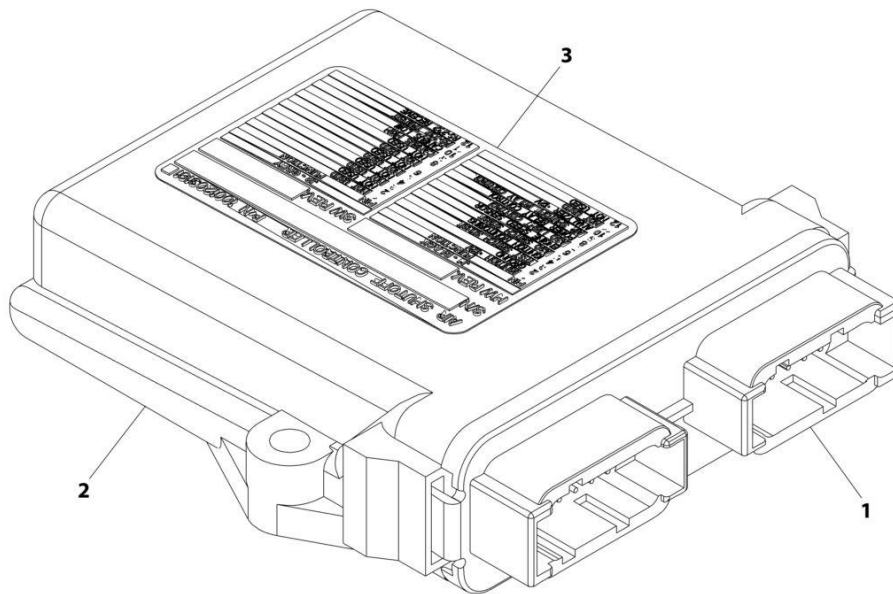
SECTION 10 - ELECTRICAL

FIGURE 10-55. GATEWAY CONTROLLER

ITEM	PART NUMBER	QTY	DESCRIPTION	REV
	1001229458	Ref	Gateway Controller	B
1	1001100828	1	PC Board	
2	1001100829	1	Box, Circuit Card	
3	1001229457	1	Software, Gateway (not shown)	

SECTION 10 - ELECTRICAL

FIGURE 10-56. CONTROL ACCESSORY



ART_1001203181-C

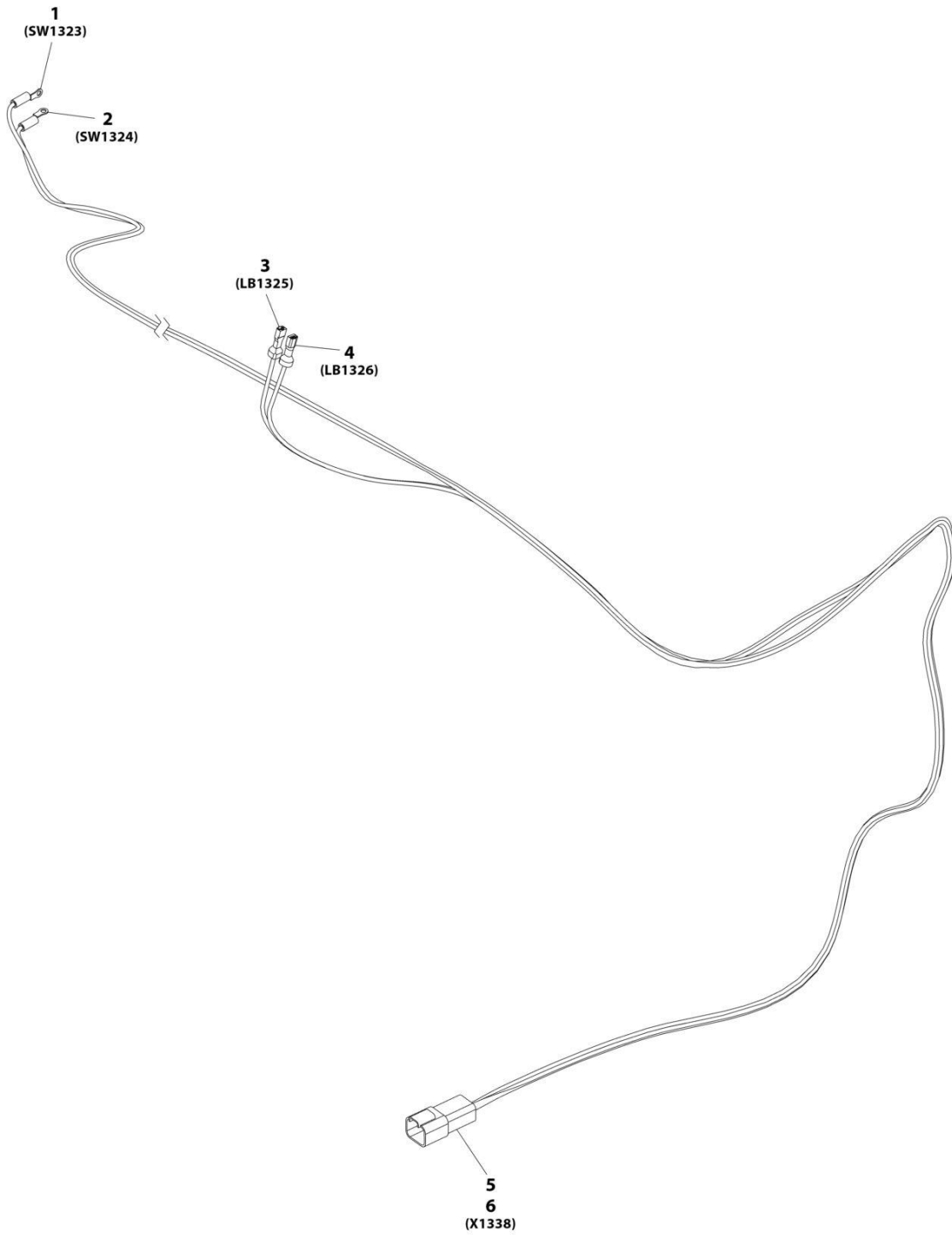
SECTION 10 - ELECTRICAL

FIGURE 10-56. CONTROL ACCESSORY

ITEM	PART NUMBER	QTY	DESCRIPTION	REV
	1001203181	Ref	Control Accessory	C
1	1001215630	1	PC Board	
2	0861493	1	Box, Circuit Card	
3	1001215631	1	Decal	
4	1001215632	1	Software (not shown)	

SECTION 10 - ELECTRICAL

FIGURE 10-57. HARNESS, POSI AIR SHUT OFF, SC CAB



ART_1001233213-B

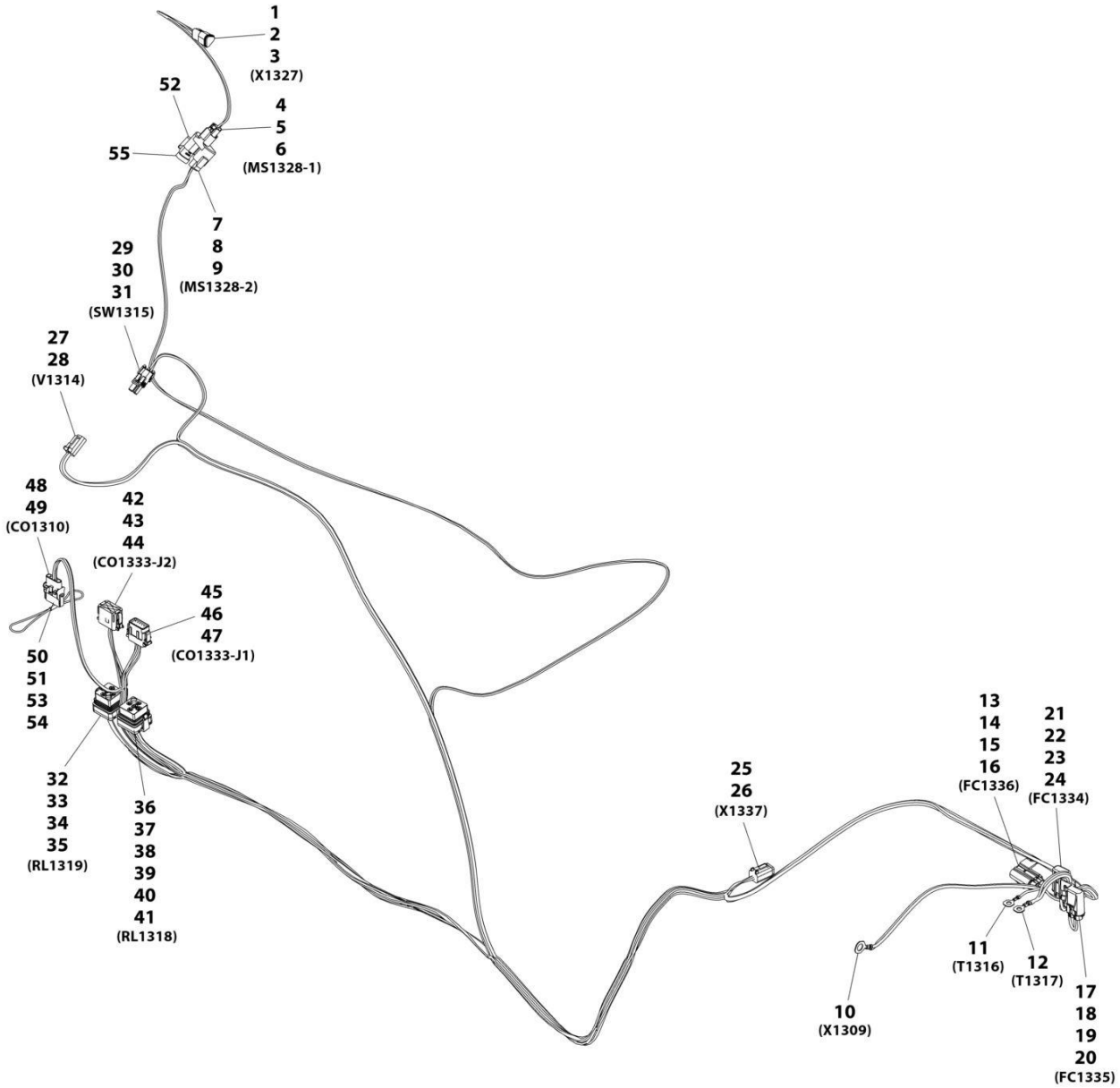
SECTION 10 - ELECTRICAL

FIGURE 10-57. HARNESS, POSI AIR SHUT OFF, SC CAB

ITEM	PART NUMBER	QTY	DESCRIPTION	REV
	1001233213	Ref	Harness, POSI Air Shut Off Valve	B
1	8220035	1	Terminal, Ring	
2	8220035	1	Terminal, Ring	
3	8220108	1	Connector,, Female	
4	8220108	1	Connector, Female	
5	4460932	1	Connector	
6	4460464	1	Pin	

SECTION 10 - ELECTRICAL

FIGURE 10-58. HARNESS, POSI AIR SHUTOFF, SC FRAME



ART_1001233235-B

SECTION 10 - ELECTRICAL

FIGURE 10-58. HARNESS, POSI AIR SHUTOFF, SC FRAME

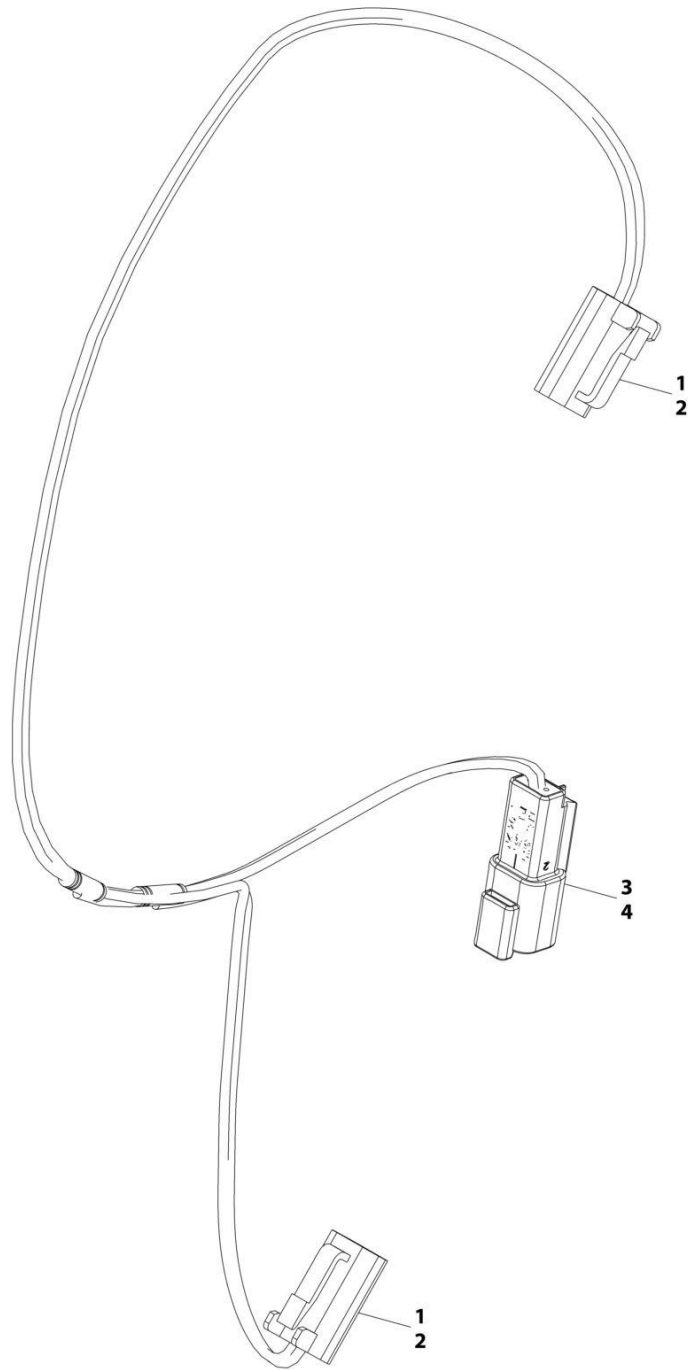
ITEM	PART NUMBER	QTY	DESCRIPTION	REV
	1001233235	Ref	AIR SHUT OFF VALVE FRAME HARNESS	B
1	1001116812	1	CONNECTOR	
2	4460465	2	TERMINAL	
3	4460466	1	PLUG	
4	1001116812	1	CONNECTOR	
5	4460465	2	TERMINAL	
6	4460466	1	PLUG	
7	4460539	1	CONNECTOR	
8	4460465	1	TERMINAL	
9	4460466	1	PLUG	
10	1001187079	1	TERMINAL RING	
11	1001207171	1	TERMINAL RING	
12	1001189077	1	TERMINAL RING	
13	1001231397	1	CONNECTOR	
14	8229261	1	FUSE	
15	1001231400	2	TERMINAL	
16	1001231403	2	SEAL	
17	1001231397	1	CONNECTOR	
18	8229234	1	FUSE	
19	1001231400	2	TERMINAL	
20	1001231403	2	SEAL	
21	1001231397	1	CONNECTOR	
22	8229235	1	FUSE	
23	1001231401	2	TERMINAL	
24	1001231402	2	SEAL	
25	4460884	1	CONNECTOR	
26	4460465	4	TERMINAL	
27	4460891	1	CONNECTOR	
28	1001157890	2	TERMINAL	
29	4460742	1	CONNECTOR	
30	4460475	2	TERMINAL	
31	4460458	2	SEAL	
32	1001231398	1	CONNECTOR	
33	1001231400	4	TERMINAL	
34	1001231406	1	PLUG	
35	1001231404	4	SEAL	
36	1001231398	1	CONNECTOR	
37	1001231401	2	TERMINAL	
38	1001231400	2	TERMINAL	
39	1001231401	1	PLUG	
40	1001231402	2	SEAL	
41	1001231404	2	SEAL	
42	1001116774	1	CONNECTOR	
43	1001126008	4	TERMINAL	
44	4460518	8	PLUG	
45	1001116808	1	CONNECTOR	
46	1001126008	9	TERMINAL	
47	4460518	3	PLUG	
48	4460761	1	CONNECTOR	
49	1001118378	4	TERMINAL	

SECTION 10 - ELECTRICAL

ITEM	PART NUMBER	QTY	DESCRIPTION	REV
50	4460321	1	PLUG	
51	4460809	4	TERMINAL	
52	4460945	1	TERMINAL	
53	1001143551	1	SEAL	
54	1001218358	1	LANYARD, ROPE	
55	1001116815	1	PLUG	

SECTION 10 - ELECTRICAL

FIGURE 10-59. VALVE JUMPER HARNESS



ART_1001209009-B

SECTION 10 - ELECTRICAL

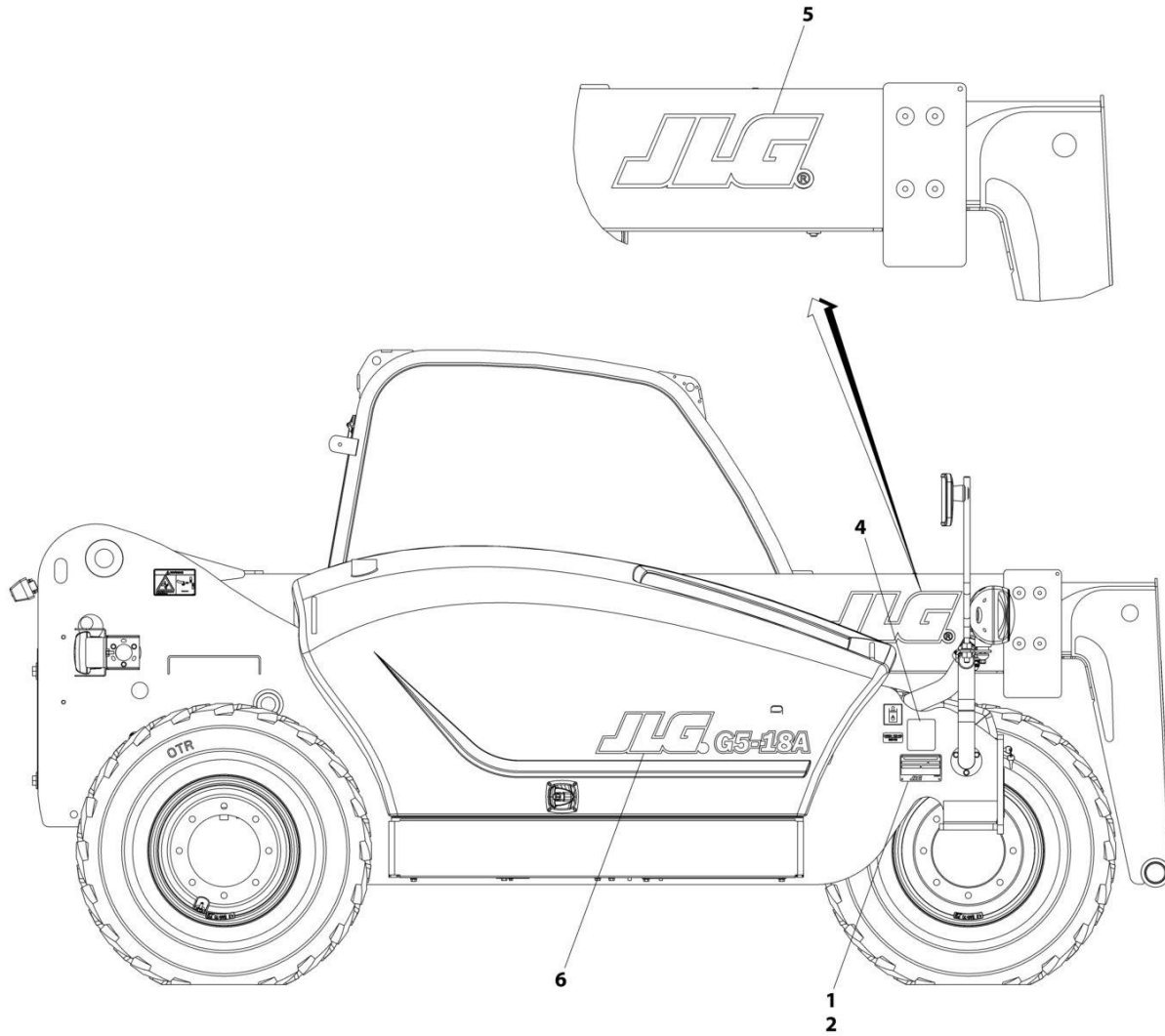
FIGURE 10-59. VALVE JUMPER HARNESS

ITEM	PART NUMBER	QTY	DESCRIPTION	REV
	1001209009	Ref	Valve Jumper Harness	B
1	4460891	1	Connector, (includes rear seal)	
2	4460465	2	Terminal	
3	4460891	1	Connector, (includes rear seal)	
4	4460465	2	Terminal	
5	4460897	1	Connector, (includes rear seal)	
6	4460464	2	Terminal	

SECTION 11 - DECALS

SECTION 11 - DECALS

FIGURE 11-1. DECAL INSTALLATION



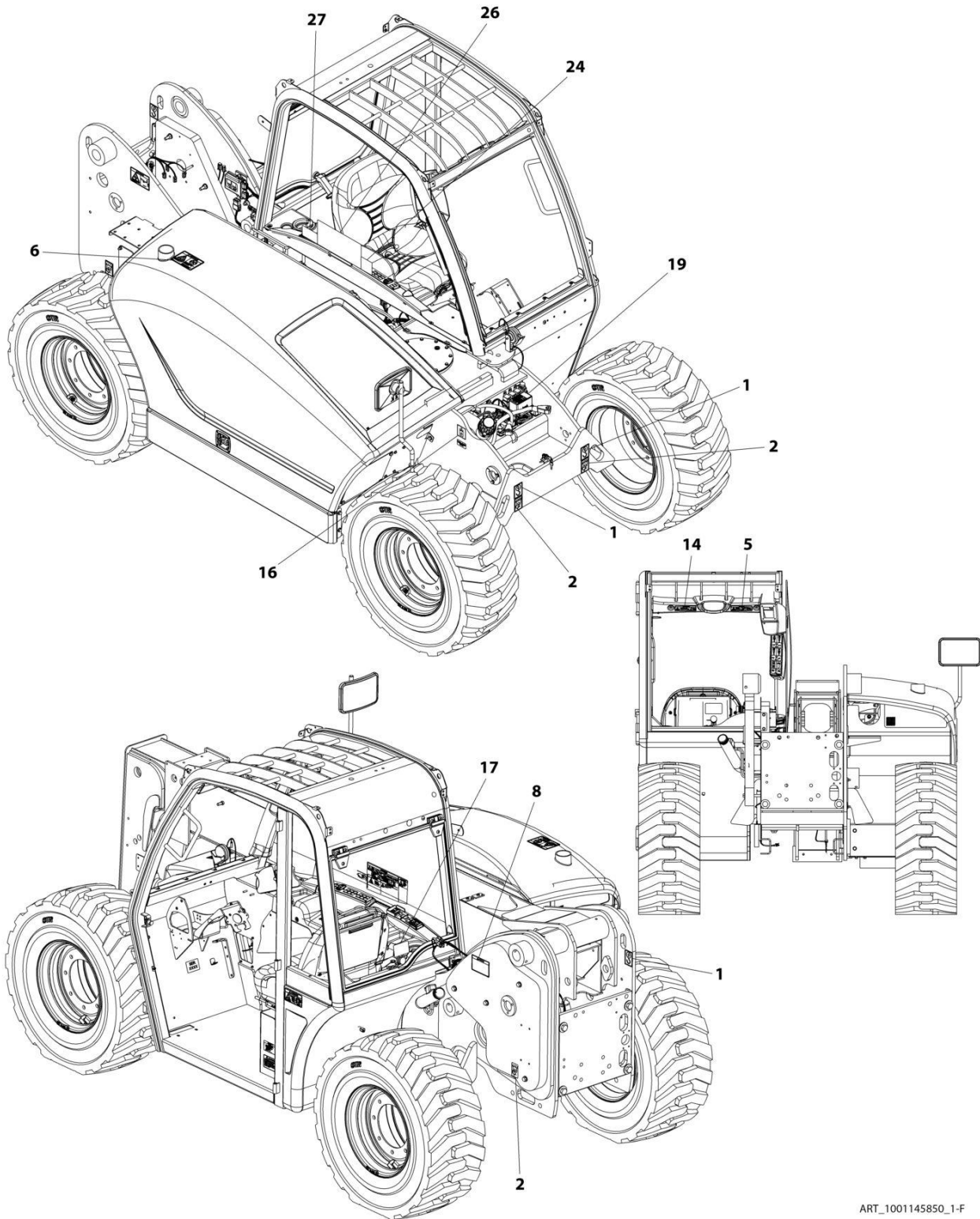
ART_1001148091-F

FIGURE 11-1. DECAL INSTALLATION

ITEM	PART NUMBER	QTY	DESCRIPTION	REV
	1001148091	Ref	Decal Installation	F
1	2080057	4	Fastener	
2	N.S.S.	1	SN Plate	
4	1001131271	1	Decal, Patent Telehandlers	
5	1001151781	2	Decal, JLG	
6	1001151782	1	Decal, JLG	

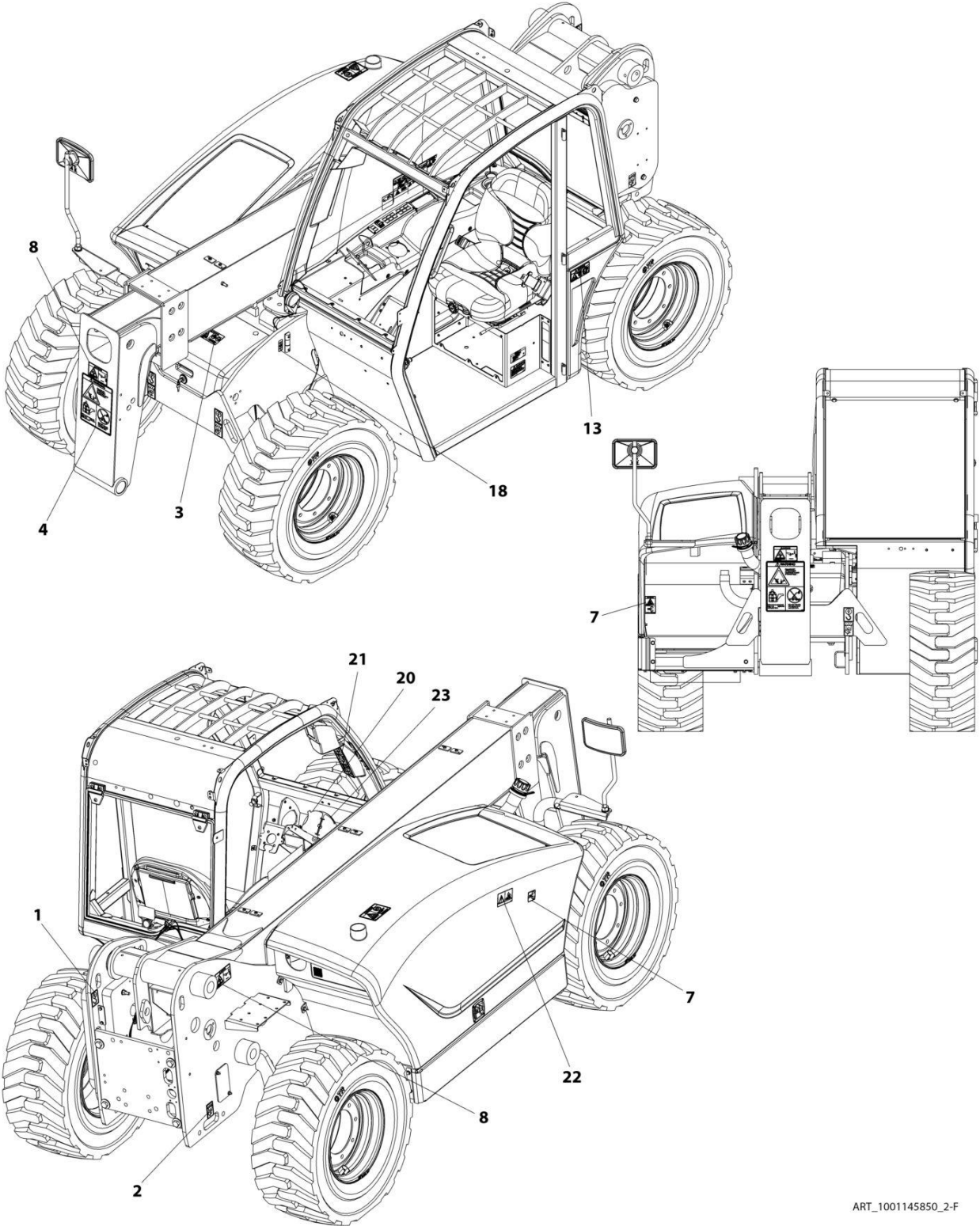
SECTION 11 - DECALS

FIGURE 11-2. DECAL INSTALLATION, (ANSI)



ART_1001145850_1-F

SECTION 11 - DECALS



ART_1001145850_2-F

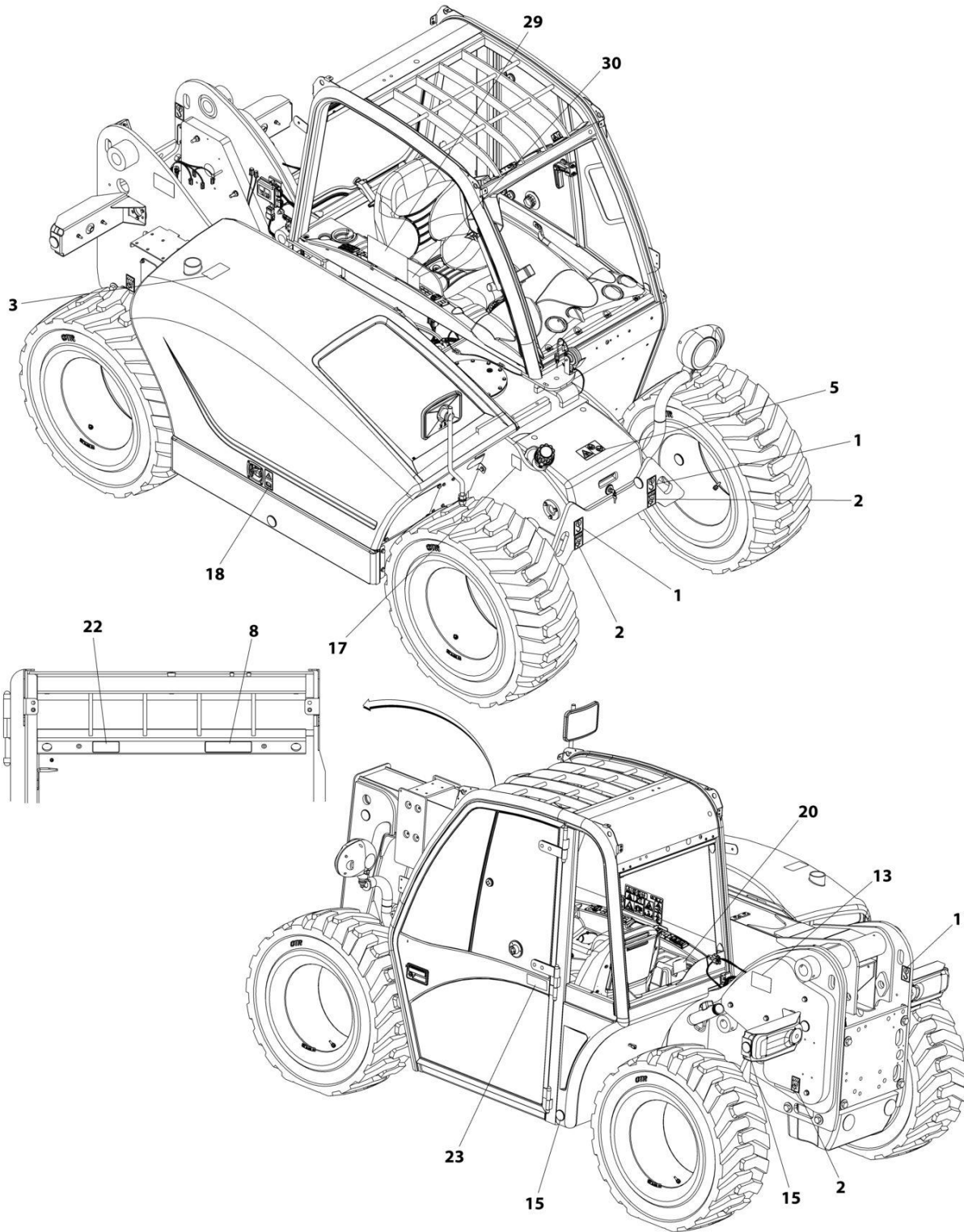
SECTION 11 - DECALS

FIGURE 11-2. DECAL INSTALLATION, (ANSI)

ITEM	PART NUMBER	QTY	DESCRIPTION	REV
	1001145850	Ref	Decal Installation	F
1	1701500	4	Decal, Lift	
2	1702300	4	Decal, Tie Down	
3	1706296	1	Decal, Battery Warning	
4	1706298	1	Decal, Attachment Falling Off Warning	
5	1706299	1	Decal, Contacting Power Lines Warning	
6	1706300	1	Decal, Ether Warning	
7	1706301	2	Decal, Keep Clear of Rotating Parts Warning	
8	1706302	3	Decal, Pinch Point Boom Holes	
13	1706768	1	Decal, Vehicle Roll Away	
14	1706850	1	Decal, Crush Hazard Warning	
16	4100181	1	Decal, Hydraulic Oil Fill	
17	8005870	1	Decal, Emergency Exit	
18	91563220	1	Decal, Oil Level	
19	1001156576	1	Decal, Fuse Cover	
20	1001100107	1	Decal, Lube Chart	
21	1001101071	1	Decal, Instructional Joystick	
22	1001139578	1	Decal, Hot Fluid Warning	
23	1001146038	1	Decal, Maintenance Chart	
24	1001200101	1	Decal, Manual	
25	1001223453	1	Decal, ICES	
26	1707078	1	Decal, Warning	
27	1001231801	1	Decal, Warning Prop 65 Diesel	

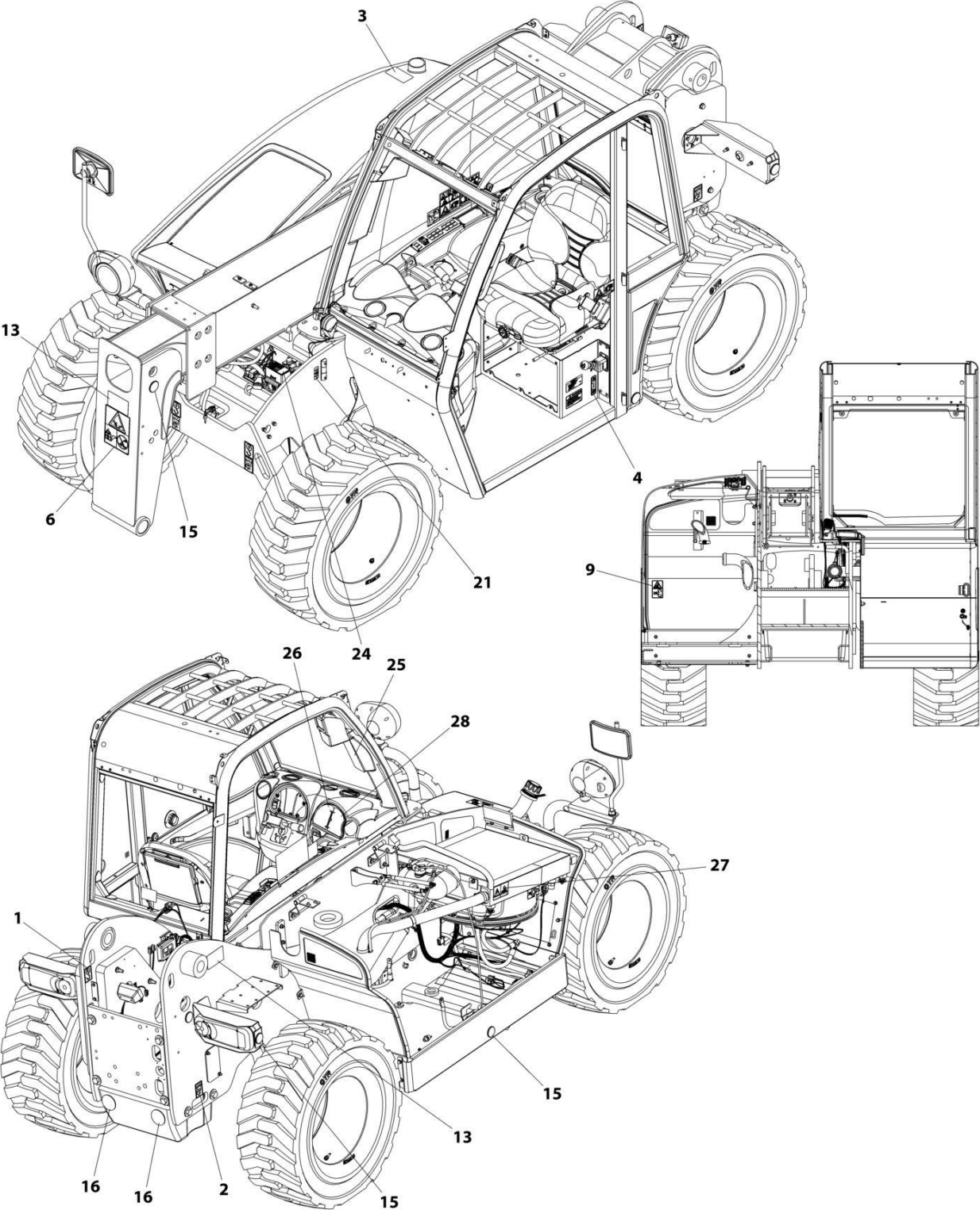
SECTION 11 - DECALS

FIGURE 11-3. DECAL INSTALLATION, (ISO)



ART_1001147650_1-D

SECTION 11 - DECALS



ART_1001147650_2-D

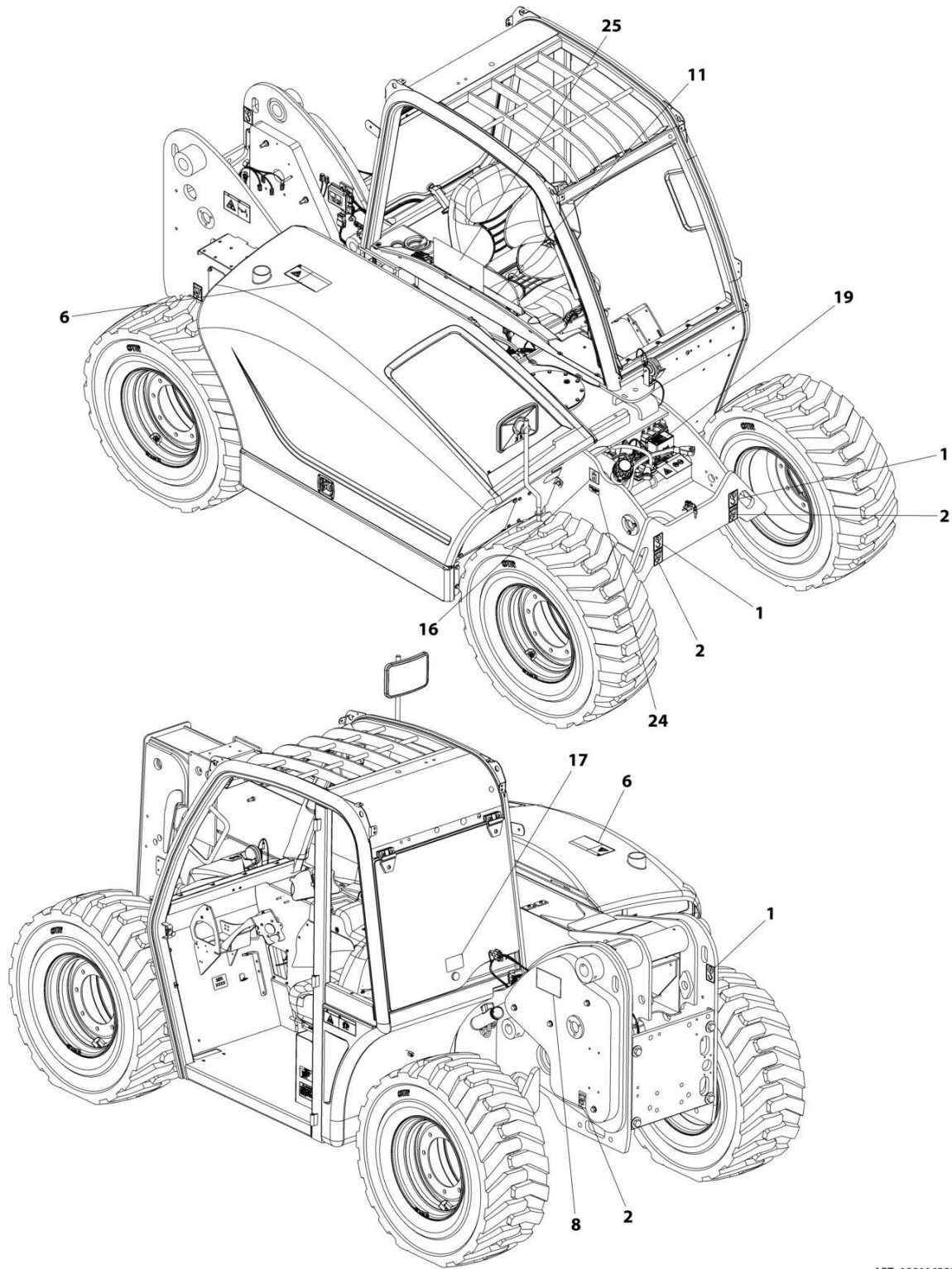
SECTION 11 - DECALS

FIGURE 11-3. DECAL INSTALLATION, (ISO)

ITEM	PART NUMBER	QTY	DESCRIPTION	REV
	1001147650	Ref	Decal Installation, (ISO)	D
1	1701500	4	Decal, Lift	
2	1702300	4	Decal, Tie Down	
3	1706098	1	Decal, Ether Start Warning	
4	1706209	1	Decal, Park Brake	
5	1706281	1	Decal, Battery Warning	
6	1706282	1	Decal, Carry Personnel	
8	1706284	1	Decal, Electrocution Hazard	
9	1706285	2	Decal, Moving Parts	
13	1706292	3	Decal, Pinch Point	
15	3700016	6	Reflector	
16	3931579	2	Reflector	
17	4100181	1	Decal, Hydraulic Oil Fill	
18	8005670	1	Decal, Read Operators Manual	
20	8005870	1	Decal, Emergency Exit	
21	91563220	1	Decal, Oil Level	
22	1001092877	1	Decal, Crush Hazard Warning	
23	1001092878	1	Decal, No Riders	
24	1001156576	1	Decal, Fuse Cover	
25	1001100107	1	Lube Chart	
26	1001101071	1	Decal, Joystick	
27	1001139942	1	Decal, Hot Fluid Warning	
28	1001150347	1	Decal, Maintenance Chart	
29	1001101895	1	Decal, Warning	
30	1001200101	1	Decal, Manual Location	

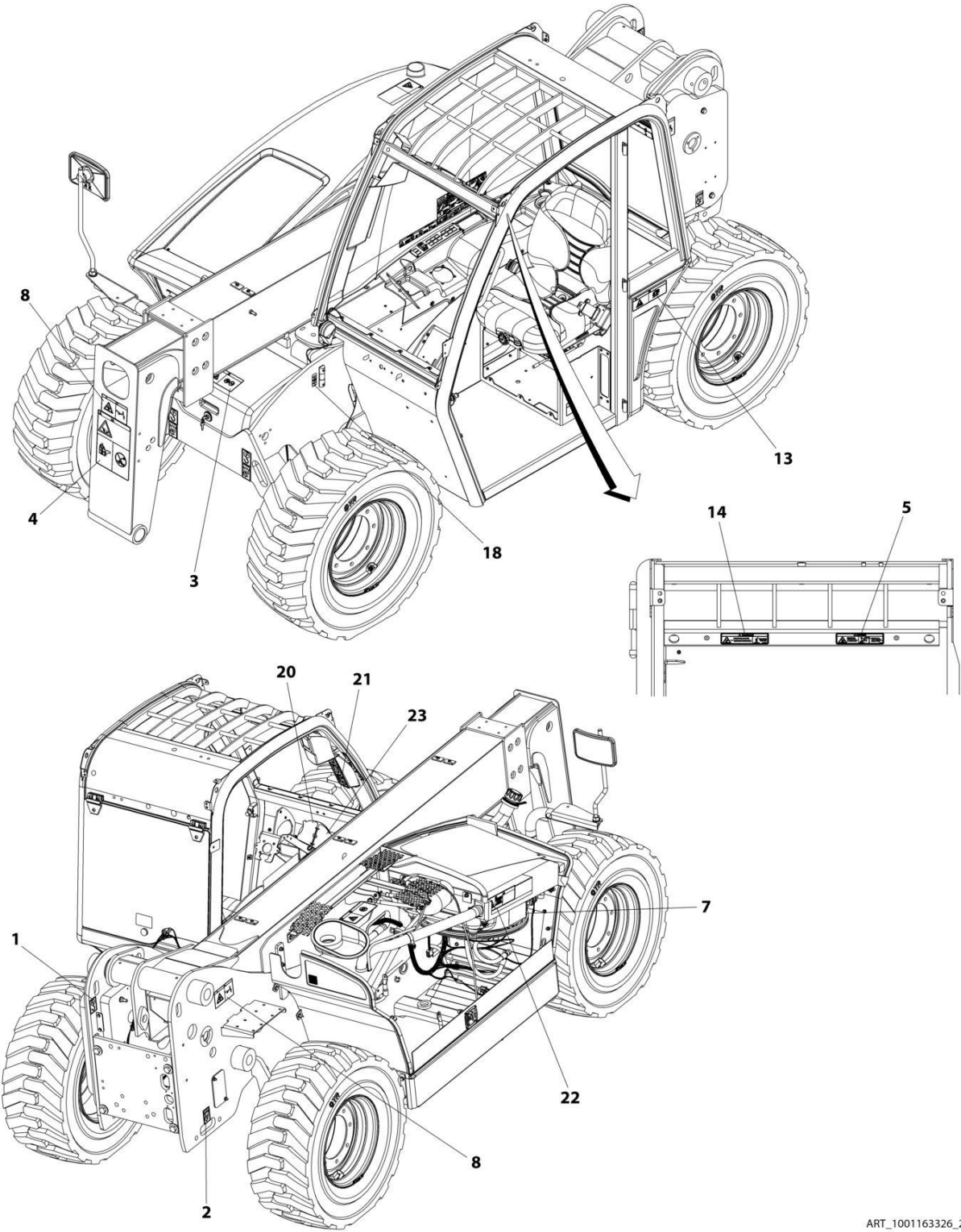
SECTION 11 - DECALS

FIGURE 11-4. DECAL INSTALLATION (ENGLISH/FRENCH)



ART_1001163326_1-C

SECTION 11 - DECALS



ART_1001163326_2-C

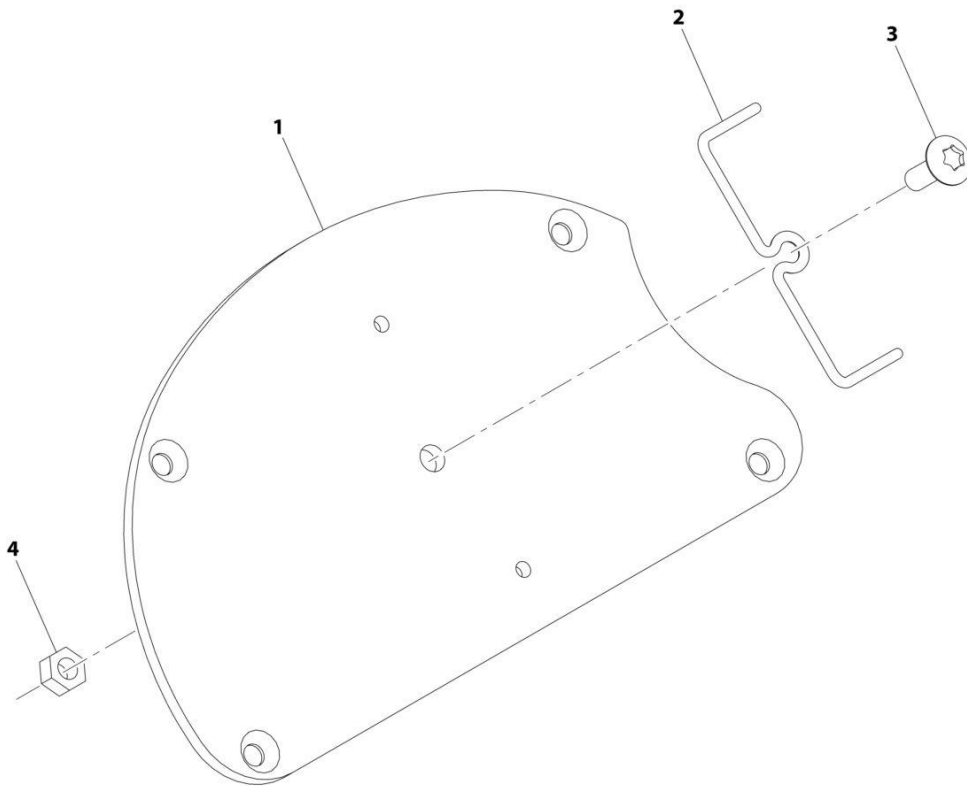
SECTION 11 - DECALS

FIGURE 11-4. DECAL INSTALLATION (ENGLISH/FRENCH)

ITEM	PART NUMBER	QTY	DESCRIPTION	REV
	1001163326	Ref	Decal Installation (ENGLISH/FRENCH)	C
1	1701500	4	Decal, Lift	
2	1702300	4	Decal, Tie Down	
3	1001163174	1	Decal, Battery Warning	
4	1001163206	1	Decal, Carry Personnel	
5	1001163210	1	Decal, Electrocuting Hazard	
6	1001163212	1	Decal, Warning No Either	
7	1001163222	2	Decal, Moving Parts	
8	1001163223	3	Decal, Pinch Point	
11	1001163285	1	Decal, Warning Tip Over	
13	1001163300	1	Decal, No Riders	
14	1001163304	1	Decal, Warning Crushing Hazard	
16	4100181	1	Decal, Hydraulic Oil Fill	
17	8005870	1	Decal, Emergency Exit	
18	91563220	1	Decal, Oil Level	
19	1001156576	1	Decal, Fuse Cover	
20	1001100107	1	Decal, Lube Chart	
21	1001101071	1	Decal, Instructional Joystick	
22	1001163323	1	Decal, Warning Hot Fluid	
23	1001146038	1	Decal, Maintenance Chart	
24	1001223453	1	Decal, ICES	
25	1001233558	1	Decal, Warning/Danger	

SECTION 11 - DECALS

FIGURE 11-5. LOAD CHART MOUNT



ART_1001239184-A

FIGURE 11-5. LOAD CHART MOUNT

ITEM	PART NUMBER	QTY	DESCRIPTION	REV
	1001239184	Ref	Load Chart Mount	A
1	1001081301	1	Panel, Load Chart	
2	1001081302	1	Holder, Wire	
3	8303034	1	Truss HD Screw, 1/4-20X0.75	
4	3311405	1	Nut, 1/4-20	

SECTION 11 - DECALS

FIGURE 11-6. CAPACITY CHART



ART_1001102000-G

FIGURE 11-6. CAPACITY CHART

ITEM	PART NUMBER	QTY	DESCRIPTION	REV
1	1001102000	Ref	Capacity Chart	G

SECTION 11 - DECALS

FIGURE 11-7. CAPACITY CHART (UNIVERSAL QUICK SWITCH)



ART_1001126677-E

SECTION 11 - DECALS

FIGURE 11-7. CAPACITY CHART (UNIVERSAL QUICK SWITCH)

ITEM	PART NUMBER	QTY	DESCRIPTION	REV
1	1001126677	Ref	Capacity Chart (Universal Quick Switch)	E

SECTION 11 - DECALS

FIGURE 11-8. CAPACITY CHART - METRIC



ART_100117326-F

FIGURE 11-8. CAPACITY CHART - METRIC

ITEM	PART NUMBER	QTY	DESCRIPTION	REV
1	1001117326	Ref	Capacity Chart - Metric	F

SECTION 11 - DECALS

FIGURE 11-9. CAPACITY CHART (UNIVERSAL QUICK SWITCH - METRIC)



ART_1001126685-D

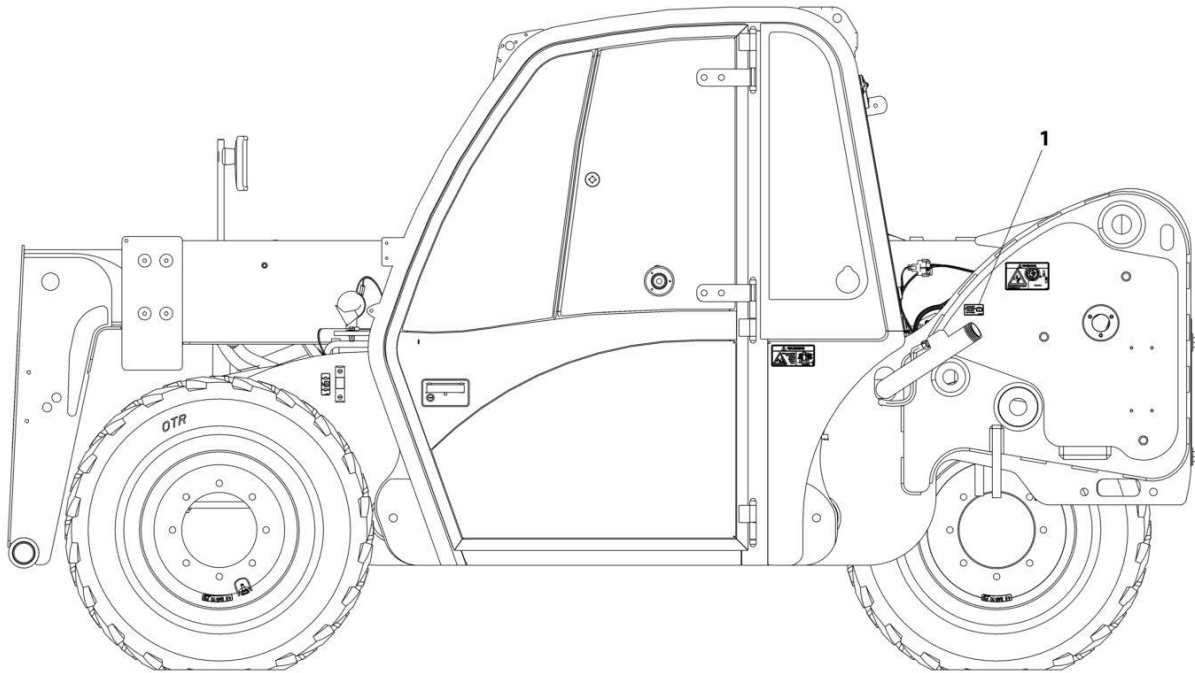
SECTION 11 - DECALS

FIGURE 11-9. CAPACITY CHART (UNIVERSAL QUICK SWITCH - METRIC)

ITEM	PART NUMBER	QTY	DESCRIPTION	REV
1	1001126685	Ref	Capacity Chart (Universal Quick Switch - Metric)	D

SECTION 11 - DECALS

FIGURE 11-10. MACHINE DECAL (ULS - ANSI)



ART_1001150461-A

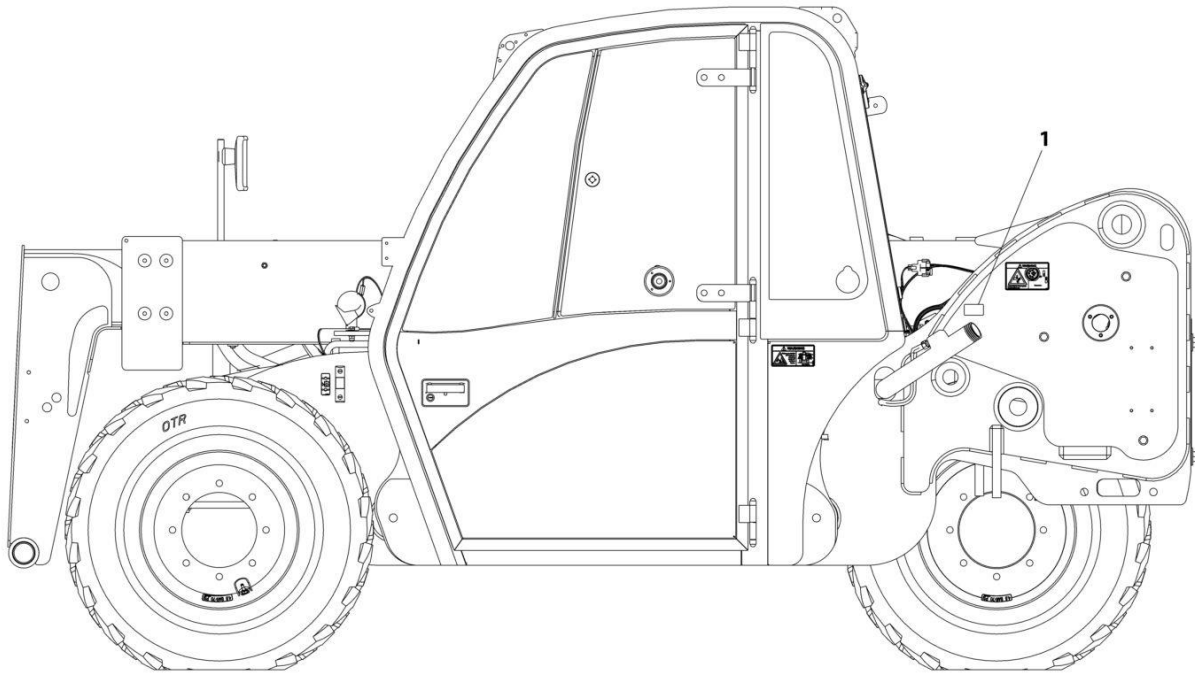
SECTION 11 - DECALS

FIGURE 11-10. MACHINE DECAL (ULS - ANSI)

ITEM	PART NUMBER	QTY	DESCRIPTION	REV
1	1001150461	Ref	Machine Decal (ULS - ANSI)	A
	1001125387	1	Decal, Ultra Low Sulfur Fuel	

SECTION 11 - DECALS

FIGURE 11-11. MACHINE DECAL (ULS - ISO)



ART_1001150462-A

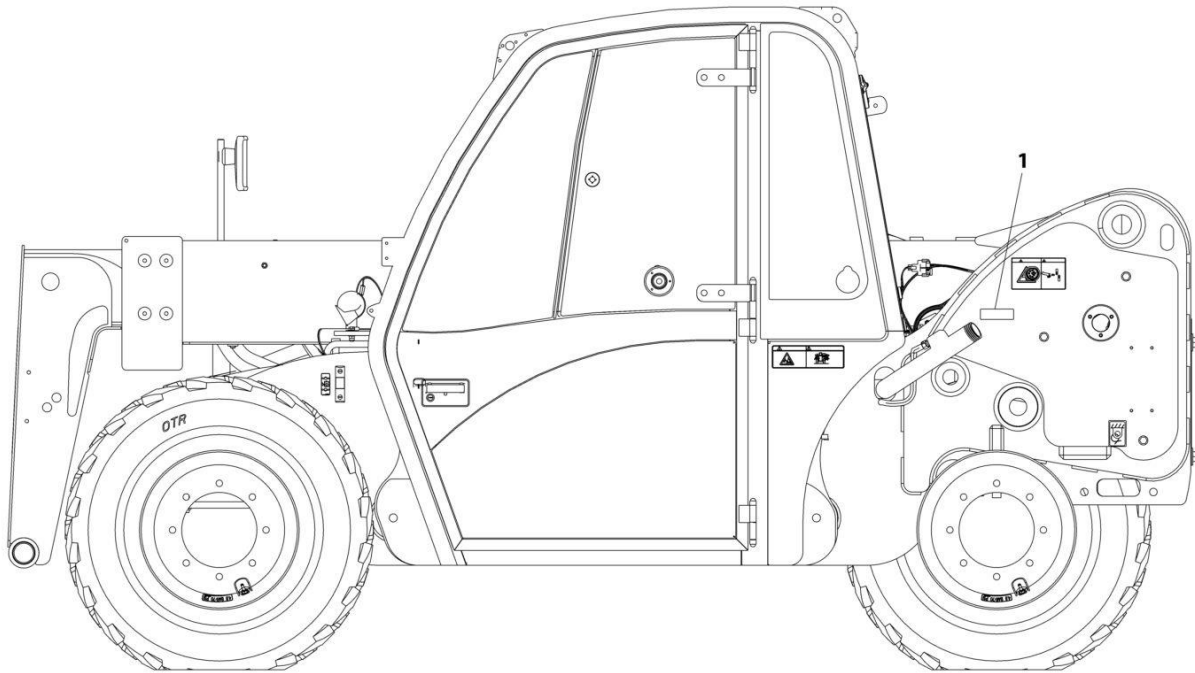
SECTION 11 - DECALS

FIGURE 11-11. MACHINE DECAL (ULS - ISO)

ITEM	PART NUMBER	QTY	DESCRIPTION	REV
1	1001150462	Ref	Machine Decal (ULS - ISO)	A
	1001139654	1	Decal, Ultra Low Sulfur Fuel	

SECTION 11 - DECALS

FIGURE 11-12. MACHINE DECAL (ULS - ENGLISH/FRENCH)



ART_1001163751-A

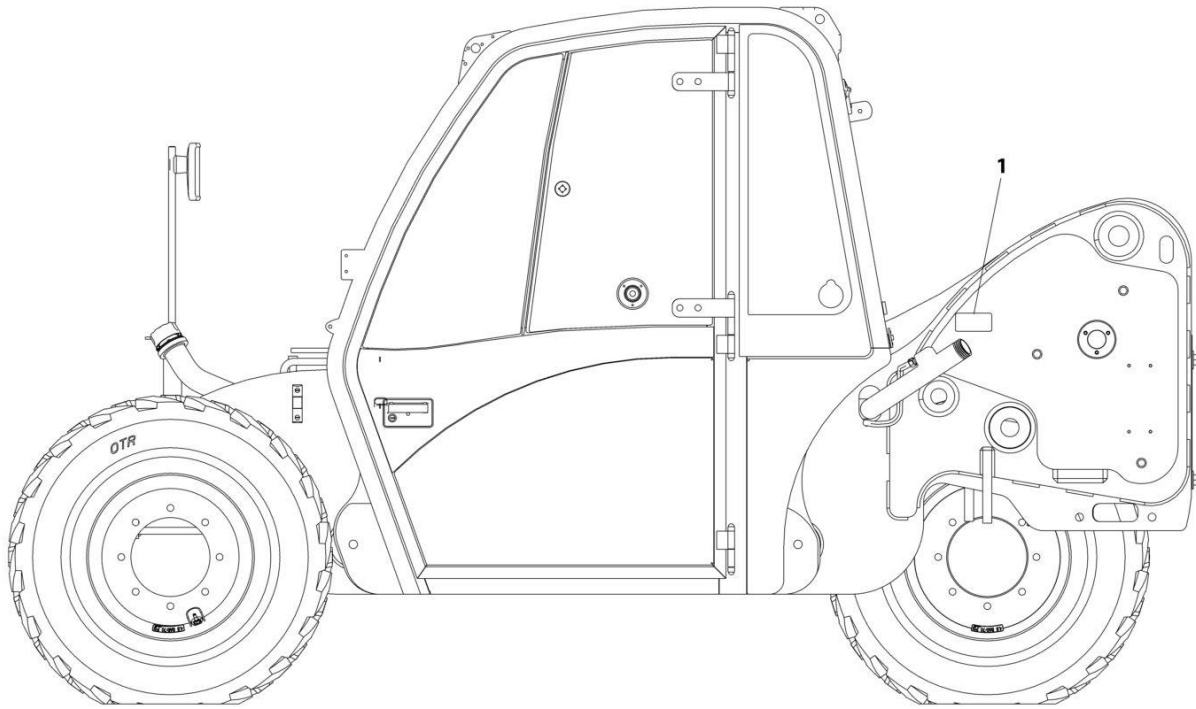
SECTION 11 - DECALS

FIGURE 11-12. MACHINE DECAL (ULS - ENGLISH/FRENCH)

ITEM	PART NUMBER	QTY	DESCRIPTION	REV
1	1001163751	Ref	Machine Decal (ULS - English/French)	A
	1001163355	1	Decal, Ultra Low Sulfur Fuel	

SECTION 11 - DECALS

FIGURE 11-13. MACHINE DECAL (LS)



ART_1001150642-A

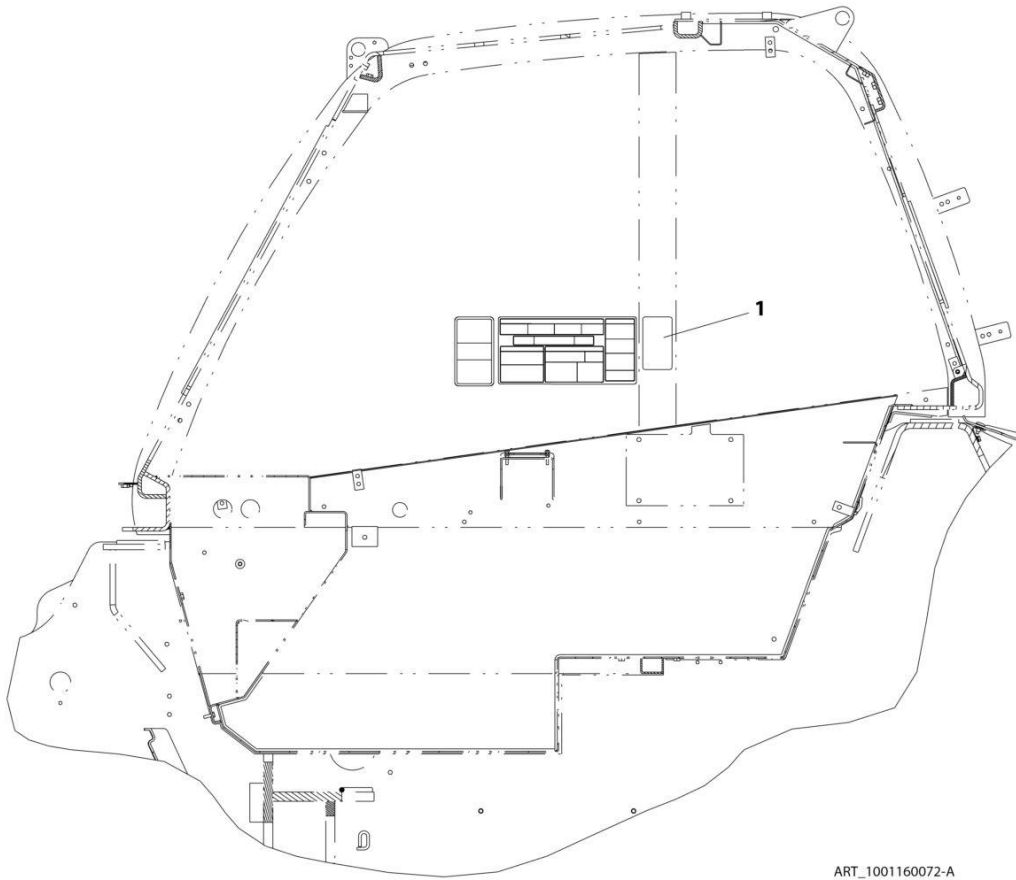
SECTION 11 - DECALS

FIGURE 11-13. MACHINE DECAL (LS)

ITEM	PART NUMBER	QTY	DESCRIPTION	REV
1	1001150642	Ref	Machine Decal (LS)	A
	1001143852	1	Decal, Export	

SECTION 11 - DECALS

FIGURE 11-14. REVERSE SENSOR SYSTEM DECAL (ENGLISH)



ART_1001160072-A

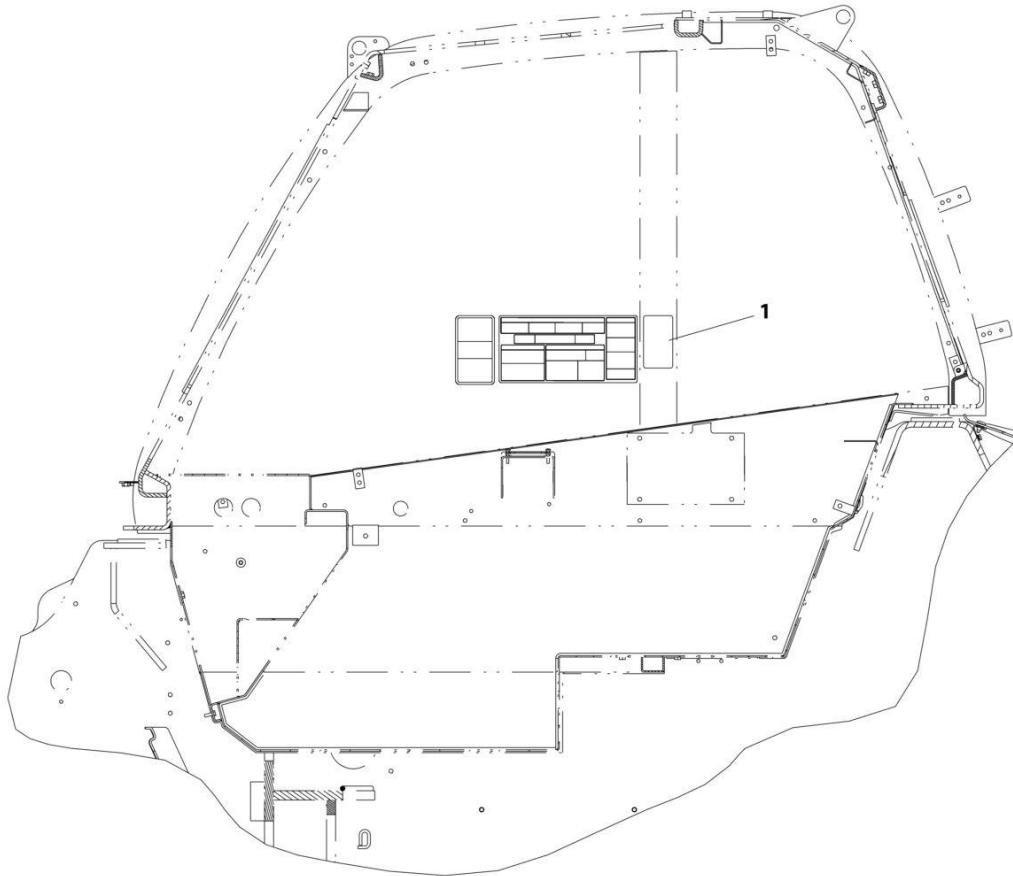
SECTION 11 - DECALS

FIGURE 11-14. REVERSE SENSOR SYSTEM DECAL (ENGLISH)

ITEM	PART NUMBER	QTY	DESCRIPTION	REV
1	1001160072	1	Reverse Sensor System Decal (English)	A

SECTION 11 - DECALS

FIGURE 11-15. REVERSE SENSING SYSTEM DECAL, (ENGLISH/FRENCH)



ART_1001160945-A

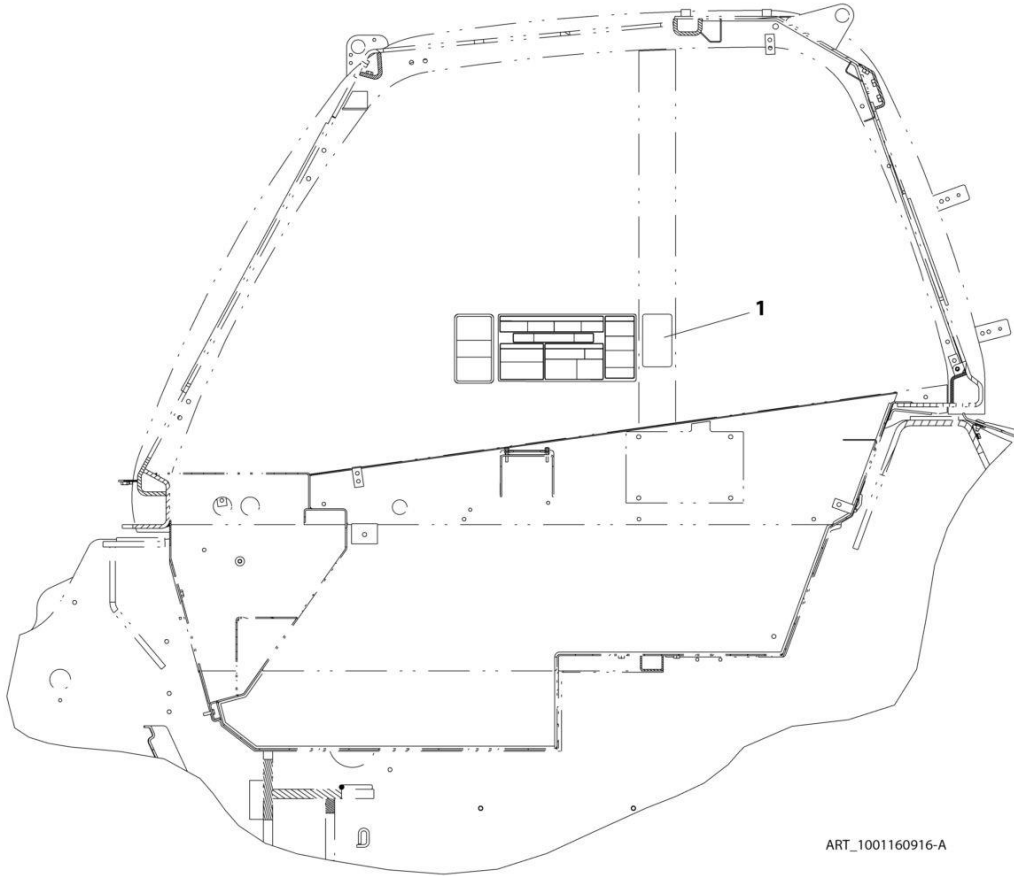
SECTION 11 - DECALS

FIGURE 11-15. REVERSE SENSING SYSTEM DECAL, (ENGLISH/FRENCH)

ITEM	PART NUMBER	QTY	DESCRIPTION	REV
1	1001160945	1	Reverse Sensor System Decal (ENGLISH/FRENCH)	A

SECTION 11 - DECALS

FIGURE 11-16. REVERSE SENSING SYSTEM DECAL (ISO)



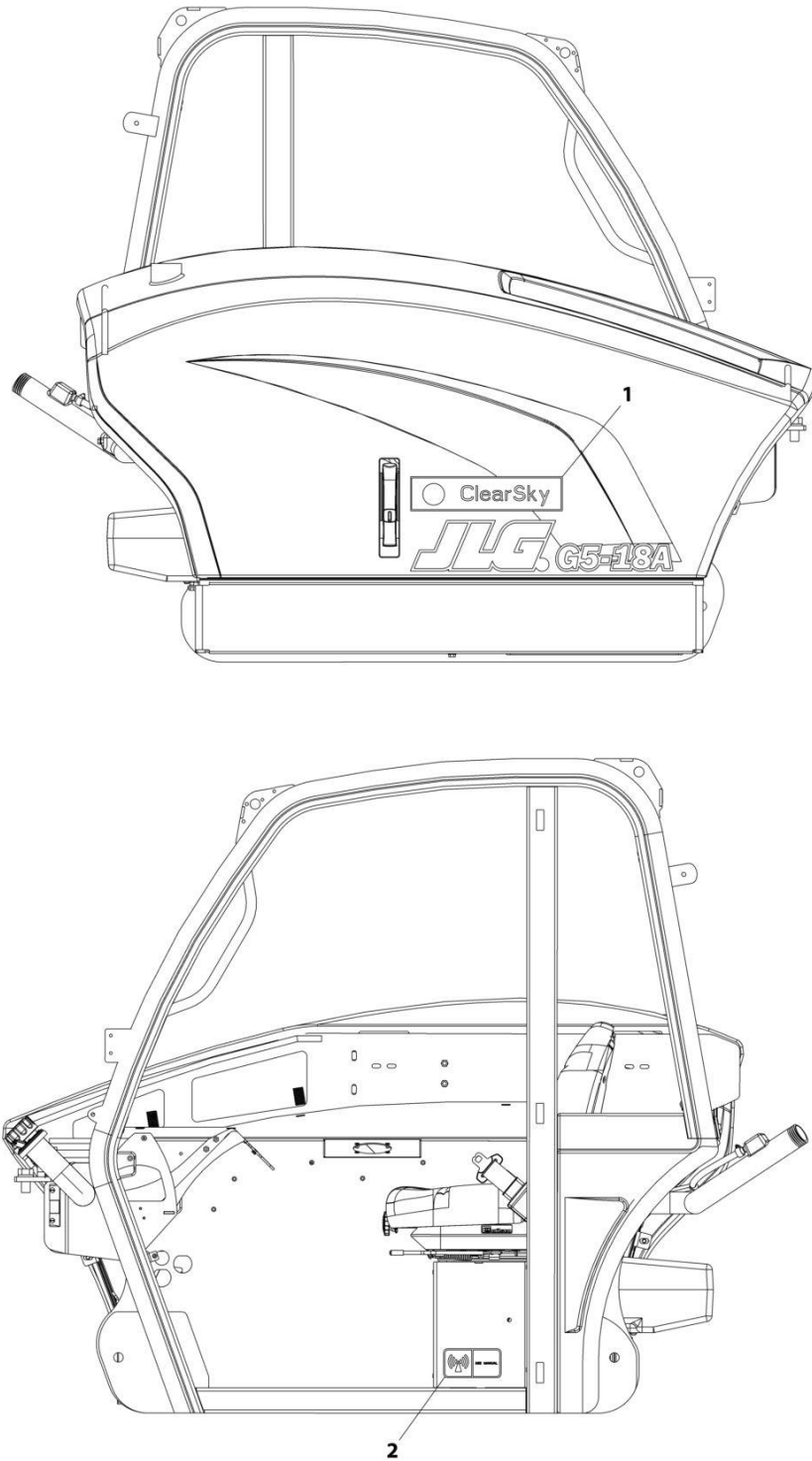
SECTION 11 - DECALS

FIGURE 11-16. REVERSE SENSING SYSTEM DECAL (ISO)

ITEM	PART NUMBER	QTY	DESCRIPTION	REV
1	1001160916	1	Reverse Sensor System Decal (ISO)	A

SECTION 11 - DECALS

FIGURE 11-17. CLEARSKY DECAL INSTALLATION



ART_1001229461-A

SECTION 11 - DECALS

FIGURE 11-17. CLEARSKY DECAL INSTALLATION

ITEM	PART NUMBER	QTY	DESCRIPTION	REV
	1001229461	Ref	Clearsky Decal Installation	A
1	1001116208	1	Decal, Clearsky	
2	1001120989	1	Decal, Radio Frequency	

SECTION 12 - RECOMMENDED SPARE PARTS

SECTION 12 - RECOMMENDED SPARE PARTS

SECTION 12 - RECOMMENDED SPARE PARTS

FIGURE 12-1. RECOMENDED SPARE PARTS

ITEM	PART NUMBER	QTY	DESCRIPTION	REV
	Note	Ref	Note: The following list will service fleets of machines (built to current production per date on the front cover) with repair parts which can be installed in the field. Parts from the list should be replaced when inventory is depleted to keep service parts stock supplied. For further information, contact your JLG dealer or the JLG Industries Parts Department.	
		Ref	Boom	
	1001236782	1	Boom Hose, (Tilt), (Aux), (Aux w/Hydraulic Quick Coupler)	
	1001236783	1	Boom Hose, (Tilt), (Aux), (Aux w/Hydraulic Quick Coupler)	
	7082362	2	Spacer, 0.134	
	7126182	2	Spacer, 0.0747	
	7300518	6	Spacer, 0.0747	
	1001096584	1	Shim, 0.0359	
	1001096585	1	Shim, 0.0359	
	7300032	8	Wear Pad, 15.88	
	7300034	4	Wear Pad, 15.9	
	1001080391	2	Wear Pad Spacer, 1.00	
		Ref	Engine	
	1001080707	1	Fuel Cap Assy	
	1001141459	1	Hydraulic Oil Filter Element	
	1001148423	1	Fan	
	1001136834	1	Deaeration Tank Cap	
	70024190	1	Air Filter Primary Element	
	70024191	1	Air Filter Secondary Element	
	1001144359	1	Belt, Air Conditioning	
		Ref	Drive Train	
	91474512	1	Breather	
	70028389	1	Plug, Front/Rear Hub	
	70028388	1	Plug, Front/Rear Hub Magnetic	
	80204117	4	Plug, Rear Hub	
		Ref	Hydraulic	
	1001193473	1	Hydraulic Tank Cover Gasket	
	1001187150	1	Hydraulic Cap Assy	
	1001080256	1	Boom Joystick	
	70020769	1	Boom Joystick Handle Assy	
	70027248	1	Seal Kit, Comp. Cylinder	
	70027638	1	Seal Kit, Extend/Retract Cylinder	
	70027255	1	Seal Kit, Tilt Cylinder	
	70027262	1	Seal Kit, Lift Cylinder	
	70020377	1	Seal Kit, Lift Cylinder (CE)	
	70021276	1	Seal Kit, Fork Locking Cylinder	
	70021452	1	Seal Kit, Side Tilt Carriage Cylinder and Universal Side Shift Cylinder	
	70020922	1	Seal Kit, Park Brake Release Valve	
	70020919	1	Seal Kit, Brake Valve Master Cylinder	
	70020370	4	Bushings, Lift Cylinder (CE)	
	70027251	4	Bushings, Tilt/Lift Cylinder	
	70020390	4	Bushings, Comp Cylinder	
		Ref	Electrical	
	0400075	1	12V Battery	

SECTION 12 - RECOMMENDED SPARE PARTS

ITEM	PART NUMBER	QTY	DESCRIPTION	REV
	91143357	1	Horn	
	1001099810	1	Back Up Alarm	
		Ref	Misc.	
	8342813	1	Exterior Door Key	
	1001102157	4	Padlock	
	31211321	1	Operation and Safety Manual	
	31211325	1	Service Manual	

SECTION 12 - RECOMMENDED SPARE PARTS

PART NUMBER INDEX

SECTION 12 - RECOMMENDED SPARE PARTS

0100011.....25, 27, 39, 43, 45, 47, 49, 51, 55, 87, 149, 255, 271, 317, 319, 359, 367, 401, 403, 449, 507, 547, 611	0682220 23, 35, 45, 47, 49, 51, 55, 547	100106166285, 123	1001080391.....74, 680
0100019.....23, 25, 253	0682230253	100106189185, 123	1001080394.74, 423, 425
0100020.....29	0682264173	100106189285	1001080397.....425, 561
0100035.....29, 383, 507	068241425	100106189385	1001080399.....413, 421
0100081.....17, 141, 143	068242425	100106211785	1001080409.....507
0100090.....19	0682440253	1001062773155	1001080410.....507
0100093.....31	069202025	100108005074	1001080418.....267
01043892.....271	0700610 255, 257, 259, 261, 263, 265	100108011674	1001080424.....507
0140011.....547	070061589	100108011774	1001080437.....429
0400075.....523, 680	0700815331	100108012474	1001080438.....429
0630383.....39	0700818331	1001080143419	1001080462.....267
0630399.....25	0700818331	100108015274	1001080463.....281
0630455.....523	070101474	1001080154459, 461	1001080493.....267, 293
0630464.....335, 341, 359	070101589	1001080155459, 461	1001080494.....289, 291, 293
0630468.....317, 319, 349, 351	070101874	1001080176417, 491	1001080499.....271, 299
0630518.....383	070102785	100108020374	1001080500.....267, 391
0641404.....321, 323, 507	072060629	100108020474	1001080559.....267, 373
0641406.....267, 367, 371, 445, 447, 553	0721005507	100108020574	1001080565.....79
0641408.....267, 449, 507	0721008 531, 533, 535	100108020674	1001080567.....375, 379
0641410.....301, 507, 531, 533, 535	0760508129	1001080207423, 425	1001080571.....31
0641415.....507	076060789	1001080208423, 425	1001080573.....25
0641505.....17	076060889, 331	1001080212249	1001080585.....437, 439
0641506.....25	0760806611	1001080240449	1001080586.....437, 439
0641508.....255, 257, 267	0760808 129, 149, 331	1001080243413, 415	1001080619.....507
0641509.....17	076081075, 141, 143	1001080250437, 439	1001080656.....541, 605
0641512.....74, 423, 425	0760814169	1001080251437, 439	1001080669.....537, 539, 541
0641514 33, 74, 413, 531, 533, 535	0760828163	1001080256391, 397, 680	1001080686.....611
0641516 17, 74, 165, 167, 347, 423, 425	076101074, 129, 145	1001080262373, 493	1001080707.....31, 680
0641518317, 319	076101277, 145, 267	1001080265437	1001080742.....255, 257, 259, 261, 263, 265, 281
0641522.....413	0761014145	1001080266437	1001080744.....255, 257, 259, 261, 295
0641532.....167	076101689	1001080279431	1001080763.....564
0641605.....17	0761210129, 331	1001080293429	1001080789.....135
0641607.....59, 61	0761214161	1001080294455	1001080796.....273, 275, 277
0641608.....17, 79	0761216175	1001080308455	1001080797.....275
0641610.....25	077161949	1001080309429	1001080798.....273, 275
0641611.....507	0791004507	1001080312459, 461	1001080801.....275
0641612.....17	079140417	1001080313459, 461	1001080809.....257, 259, 261, 263, 265, 387
0641614.....425	079160717	1001080314459, 461	1001080821.....275
0641628.....74	0811408145	100108033379, 81	1001080822.....345
0641634.....401, 403	0811510149	100108033481, 501	1001080824.....301, 361
0641810.....459, 461	0861493627	1001080356437, 439	1001080826.....387, 389
0641832.....121	090308345, 47	1001080359379, 485	1001080844.....343
0642014.....129	100100142231	1001080361571	1001080847.....259, 261, 263, 265, 287
0642032.....93, 95	100100155674, 425	1001080364449	1001080848.....291
0642212.....43	1001002778535	1001080365537, 539, 543, 545	1001080852.....315
0651410.....271	1001002779535	1001080366541	1001080861.....23
0681414371	100100329985	1001080367271	1001080862.....271
0681506.....141, 143	100100347497	1001080368271	1001080863.....271
0681510.....157	100100347597	1001080369537, 539	1001080866.....337
0681608.....141, 143, 159, 165, 167	1001003680145	1001080370531, 533, 535	1001080867JO.....279
0681610.....159	100100380377	1001080371267	1001080872.....361
0681614.....135	100100843635, 37	1001080373341	1001080876.....255, 257, 315
0681832.....79, 83	100100847537	1001080374295	1001080877.....303
0681836.....459, 461	100100847985, 123	100108037579, 121	1001080891.....347
0681844.....459, 461	1001008742303	1001080376537, 539	1001080893.....345
0682018.....47, 55	100100897985	1001080377303	1001080900.....267
	100100906237	1001080378293	1001080926.....277
	100100909485, 123	1001080379281	1001080931.....271
	1001009126275	1001080380267	
	1001009163145	1001080381531, 533, 535	
	100101083837	1001080382301, 303	
	100105565285	1001080383299	
	100106163385, 123		
	100106165985		
	100106166085, 123		

SECTION 12 - RECOMMENDED SPARE PARTS

1001080932 301, 303	1001081302 653	1001101533 531, 533,	1001113047 317, 319
1001080933 271, 301	1001081306 271	535, 617	1001113154 539
1001080945 335, 337,	1001081307 299	1001101534 531, 533,	1001113155 545
341	1001081308 299	535, 619	1001114675 255, 257,
1001080947 337	1001081309 299	1001101895 646	259, 261, 263, 265
1001080951 337	1001081310 299	1001102000 655	1001114867 267
1001080952 335, 341	1001081311 299	1001102157 21, 681	1001115871 239
1001080953 295, 297,	1001081314 279	1001102323 105	1001116128 553
337	1001081322 617, 619	1001102324 103	1001116208 677
1001080954 337	1001081331 271	1001102327 107	1001116692 583
1001080955 337	1001081332 271	1001102331 97	1001116694 583
1001080956 343	1001081333 175, 191,	1001102332 109	1001116698 521, 565,
1001080957 335, 339	421	1001103012 521, 565	613
1001080959 343	1001081334 421	1001103139 543	1001116705 569
1001080960 337	1001081347 429	1001104009 99	1001116706 557
1001080968 377, 381	1001081348 429	1001104025 101	1001116710 564, 569
1001080969 293	1001081364 25	1001104435 93	1001116711 564
1001080970 293	1001081375 271	1001104477 425, 451,	1001116712 564
1001080974 315	1001081376 271	453, 495	1001116720 557
1001080975 315	1001081413 427	1001104497 521, 585	1001116723 565, 566
1001080976 317	1001090103 423, 425	1001104498 521, 565,	1001116725 571
1001080978 293	1001090344 17	566	1001116726 571
1001080983 267	1001092585 507	1001104519 595, 597,	1001116727 571, 607,
1001080985 303	1001092877 646	601, 609	613
1001080986 267	1001092878 646	1001104654 293	1001116729 581, 607
1001080987 267	1001093171 117	1001105990 175	1001116731 589
1001080988 267	1001095650 89, 515, 517	1001106622 437, 439	1001116733 557, 571,
1001080992 253	1001095704 564, 571	1001106736 572	573, 581, 607
1001081023 315	1001096584 74, 680	1001107854 521, 565,	1001116734 557, 607
1001081049 267	1001096585 74, 680	566, 571, 573, 585, 593	1001116735 564
1001081071 173	1001096730 79	1001107997 277	1001116736 566
1001081123 523	1001097159 19	1001108078 337	1001116747 573
1001081151 267	1001097160 17, 165, 167	1001108079 267	1001116748 564
1001081152 267	1001097205 117	1001108115 349, 351	1001116774 572, 580,
1001081153 267	1001097252 79	1001108127 537	583, 631
1001081161 335, 341	1001097255 79	1001108129 537	1001116808 573, 580,
1001081163 335, 341	1001097319 361	1001108152 337	583, 631
1001081187 335	1001097628 79	1001108155 297, 337	1001116812 564, 572,
1001081222 223, 225	1001097640 347	1001108161 277	580, 583, 631
1001081223 383, 385	1001097728 79, 83, 121	1001108194 267	1001116813 569, 613
1001081234 361	1001097729 79, 83, 121	1001108196 271	1001116815 549, 565,
1001081235 279	1001098069 381	1001108242 349	573, 583, 632
1001081236 279	1001098122 585	1001108547 277	1001116816 571
1001081239 279	1001098153 381, 487	1001108548 277	1001116920 564
1001081241 279	1001098235 267, 609	1001108549 277	1001116921 571
1001081242 279	1001099457 115	1001108552 277	1001116948 573
1001081243 279	1001099458 113	1001109365 273, 275	1001116950 571, 572
1001081244 279	1001099699 359	1001109417 277	1001116952 571
1001081246 279	1001099783 74	1001109478 275	1001116953 571
1001081247 279	1001099810 681	1001109565 537, 539,	1001116966 572
1001081248 279	1001099887 63	603	1001116967 557
1001081249 279	1001100053 281, 527	1001109566 537, 543,	1001116977 572
1001081266 279	1001100107 642, 646,	601	1001116982 569
1001081268 279	650	1001110067 277	1001116983 557
1001081280 277	1001100781 564	1001110269 341	1001116984 569
1001081281 277	1001100828 625	1001110433 317, 319	1001116985 569
1001081282 277	1001100829 625	1001110723 545, 595	1001116990 557
1001081283 277	1001100916 425	1001110849 51, 53	1001116996 580
1001081284 277	1001100965 531, 533,	1001111156 539, 597	1001117002 569
1001081285 277	535, 623	1001111341 537, 539	1001117022 557
1001081286 349	1001100966 295, 297,	1001111961 564	1001117026 581
1001081287 351	529	1001112058 335, 341	1001117059 566
1001081289 277	1001101071 642, 646,	1001112612 572	1001117064 564
1001081296 349	650	1001112697 523	1001117079 566
1001081298 349	1001101185 83	1001112796 583, 587,	1001117080 566
1001081299K 17	1001101235 449	589	1001117081 565, 566,
1001081301 653	1001101451 149	1001113038 95	609

SECTION 12 - RECOMMENDED SPARE PARTS

1001117082 565	1001130338 71	1001138823 175, 475	1001141834 145
1001117106 564, 571	1001130900 557	1001138827 145	1001141881 145
1001117119 565	1001131098 403, 407	1001138877 141, 143, 145	1001141896 145
1001117125 557	1001131099 401, 405	1001138887 161, 477	1001141944 145
1001117133 580	1001131271 639	1001138888 145	1001141975 443
1001117158 267	1001131818 135	1001139011 293, 319	1001141976 441
1001117326 659	1001132161 465, 467	1001139042 87	1001142010 569
1001117498 83, 85	1001132168 19	1001139043 87	1001142011 509, 575
1001118378 631	1001132207 465	1001139155 149	1001142055 309
1001118379 569	1001132208 465	1001139177 87	1001142101 243, 245
1001118380 557	1001132209 465	1001139481 287, 289	1001142155 413, 419
1001118381 572	1001132210 461, 465	1001139578 642	1001142236 331, 607
1001118385 565, 566, 569, 573, 580	1001132338 413, 417	1001139654 665	1001142242 129
1001118387 569	1001132342 407, 411	1001139668 139	1001142259 149, 151
1001118391 557, 572	1001132411 433	1001139681 157	1001142265 17
1001118392 580	1001132412 433	1001139682 159	1001142267 17
1001119020 558, 572	1001132795 407	1001139683 515	1001142680 25
1001119721 161	1001133714 557	1001139684 133, 135, 163	1001142938 557
1001119727 159	1001133715 557	1001139688 135, 329	1001142940 557
1001120328 572	1001133822 165, 167	1001139801 319	1001142941 557
1001120989 677	1001133956 557	1001139803 331	1001142981 537, 599
1001121021 555	1001133957 557	1001139807 531, 533, 535	1001143041 141, 143
1001121514 147	1001135350 567	1001139938 611	1001143142 17
1001121726 573	1001135650 557	1001139942 646	1001143201 149
1001121727 607, 613	1001135651 557	1001139974 229, 231	1001143216 157
1001121953 553	1001135799 449	1001139975 217, 219, 223, 225	1001143254 163
1001121960 575, 581	1001135801 449	1001139997 161, 479	1001143255 163
1001122280 509, 511, 577	1001135803 449	1001140312 515	1001143304 157, 159
1001125387 663	1001135805 449	1001140634 507, 571	1001143467 163
1001125465 553	1001135807 449, 451	1001140635 511, 513, 580	1001143468 163
1001126008 572, 573, 580, 631	1001135845 525	1001140671 159	1001143551 632
1001126351 557	1001135846 525	1001140684 221, 223	1001143552 511
1001126362 558	1001136095 137	1001140686 227, 229	1001143556 509
1001126363 558	1001136834 145, 680	1001140698 221, 225	1001143558 537
1001126364 558	1001136975 129, 165, 167	1001140700 227, 231	1001143640 131, 133
1001126365 558	1001137106 121	1001140701 235	1001143641 129
1001126391 558	1001137454 315, 317	1001140702 235	1001143642 129
1001126677 657	1001137574 283	1001140703 237	1001143643 129
1001126685 661	1001137578 557	1001140704 237	1001143671 241, 243
1001126841 331	1001137600 255, 257, 259, 261, 375	1001141019 159	1001143677 133
1001127066 565	1001137602 263, 265, 377	1001141066 507	1001143678 131
1001127397 341	1001137621 259, 261, 263, 265, 285	1001141287 165, 167	1001143689 241, 245
1001127546 341	1001137623 255, 257, 283	1001141310 149	1001143801 129
1001127589 507	1001137657 267	1001141323 235	1001143815 135
1001127967 145	1001137943 271, 291	1001141324 237	1001143816 135
1001128128 564, 571, 573, 581, 607	1001137985 289, 291	1001141459 443, 680	1001143839 129
1001128144 145	1001137998 377	1001141460 443	1001143852 669
1001128478 145	1001138003 367	1001141461 441	1001144015 153
1001129407 615	1001138110 557	1001141462 441	1001144147 589
1001129425 553	1001138111 557	1001141551 157	1001144255 175
1001129801 553, 593	1001138113 557	1001141581 507	1001144359 135, 680
1001129887 433	1001138262 331, 333	1001141591 165, 167	1001144367 145
1001129888 433	1001138263K 331	1001141717 129	1001144368 145
1001129889 431, 433	1001138264 331	1001141779 141, 481	1001144369 17
1001129891 431, 433	1001138265 331	1001141780 143, 483	1001144373 135
1001129893 431, 433	1001138266 331	1001141786 145	1001144378 135
1001129894 431, 433	1001138269 331	1001141787 145, 147	1001144474 33
1001129895 437, 439	1001138345 331	1001141788 147	1001144692 141
1001129898 439	1001138582 255, 257, 287	1001141789 147	1001144693 141
1001129925 431, 433	1001138639 267, 367	1001141791 147	1001144694 143
1001129926 431, 433	1001138703 351	1001141796 145	1001144695 143
1001130178 405, 409		1001141801 145	1001144697 429
1001130220 41			1001144737 429
			1001144749 429
			1001144750 429
			1001144751 429
			1001144753 429

SECTION 12 - RECOMMENDED SPARE PARTS

1001144754.....429	1001156087.....145, 267, 319	1001177640.....363	1001192979.....341
1001144755.....429	1001156229.....129, 557	1001178059.....123	1001193316.....25
1001144756.....437, 439	1001156314.....507	1001178811.....363	1001193351.....25, 27
1001144757.....429	1001156315.....17	1001179495.....305	1001193423.....19
1001144759.....429	1001156576.....642, 646, 650	1001179496.....305	1001193432.....319, 323
1001144760.....429	1001156577.....267	1001179547.....303, 305	1001193443.....261, 265, 319, 329
1001144761.....429	1001156849.....135	1001179832.....305	1001193470.....27
1001144763.....429	1001157075.....145	1001182224.....445, 447	1001193473.....27, 680
1001144764.....429	1001157088.....163	1001182361.....557	1001193501.....319, 395
1001145204.....143	1001157890.....631	1001182662.....547	1001193528.....321, 323
1001145224.....437, 439	1001158318.....17	1001182755.....255, 257, 259, 263, 445	1001193529.....321, 323
1001145225.....437, 439	1001158329.....121	1001184685.....547	1001193720.....319
1001145710.....141, 143	1001158330.....123	1001185024.....445, 447	1001193721.....319
1001145850.....642	1001158331.....123	1001186376.....261, 265, 447	1001193723.....319
1001145871.....145	1001158336.....123	1001187079.....631	1001193752.....149
1001146038.....642, 650	1001158352.....121, 123	1001187150.....27, 680	1001193761.....319
1001146575.....165, 167	1001158428.....17	1001187150.....27, 680	1001193762.....319
1001146830.....89	1001159204.....519	1001187820.....77	1001193805.....317, 321
1001146831.....89	1001159205.....519	1001187821.....77	1001193943.....259, 263, 317
1001146832.....89	1001159206.....517, 519	1001187847.....77	1001193945.....317, 393
1001146887.....89	1001159207.....517	1001187848.....77	1001193973.....317
1001146888.....89	1001160072.....671	1001188496.....375	1001193974.....317
1001147071.....135	1001160078.....17	1001189077.....631	1001193975.....317
1001147650.....646	1001160730.....553	1001189653.....271	1001193976.....317
1001148091.....639	1001160916.....675	1001189733.....371	1001194017.....435
1001148423.....145, 680	1001160926.....121	1001189734.....267, 371	1001194099.....29
1001148483.....25	1001160945.....673	1001189738.....371	1001194100.....25, 29
1001149466.....507	1001161604.....123	1001189739.....349	1001194100.....25, 29
1001149810.....17	1001161606.....123	1001189743.....371	1001195347.....323, 327
1001149811.....17	1001161607.....123	1001189745.....371	1001195348.....321, 325
1001149828.....129	1001161759.....121	1001189753.....351	1001195447.....319
1001150347.....646	1001162486.....359	1001189803.....371	1001195884.....27
1001150461.....663	1001162487.....359	1001189839.....371	1001196254.....507
1001150462.....665	1001162813.....353	1001189850.....371	1001196461.....587
1001150479.....331	1001162814.....353	1001189888.....473	1001196601.....445
1001150508.....331	1001162815.....355	1001189948.....285	1001197027.....307
1001150509.....319, 331	1001162816.....357	1001189997.....547	1001197099.....303
1001150596.....275, 279	1001162829.....363	1001190250.....77	1001197401.....17
1001150642.....669	1001162830.....363	1001190264.....77	1001197490.....43
1001150705.....613	1001162898.....119	1001190639.....33	1001197624.....566
1001151088.....331	1001163174.....650	1001190640.....535, 621	1001197714.....566
1001151183.....41	1001163206.....650	1001190692.....401, 403, 413	1001197965.....29
1001151264.....161	1001163210.....650	1001190694.....403	1001198349.....41
1001151288.....429	1001163212.....650	1001190709.....531, 533, 621	1001198730.....25
1001151643.....393, 395	1001163222.....650	1001190728.....19	1001200101.....642, 646
1001151781.....639	1001163223.....650	1001190743.....17, 19	1001200247.....41
1001151782.....639	1001163285.....650	1001190754.....19	1001200378.....45, 47, 49, 51, 55
1001152967.....429	1001163300.....650	1001190762.....17	1001200393.....77
1001153277.....89	1001163304.....650	1001190784.....401	1001200567.....431
1001153410.....159	1001163323.....650	1001190788.....17	1001200580.....459, 461, 469
1001153411.....159	1001163326.....650	1001190821.....129, 161	1001200581.....74, 473
1001153412.....159	1001163355.....667	1001190914.....547, 585	1001200598.....43
1001153413.....159	1001163751.....667	1001191635.....33	1001200599.....45
1001153624.....289	1001165200.....129	1001191640.....17	1001200600.....47
1001153625.....291	1001165202.....165, 167	1001191643.....19	1001200601.....49
1001153626.....293	1001165203.....165, 167	1001191820.....17	1001200602.....51
1001153627.....293	1001165585.....279	1001191830.....141, 143	1001200603.....55
1001153629.....383	1001172953.....319	1001192022.....19	1001200612.....507
1001153630.....339	1001174104.....77	1001192128.....141	1001200613.....523
1001153631.....335, 341	1001175733.....585	1001192129.....143	1001200682.....25
1001153633.....341	1001177469.....353, 355, 357, 363	1001192142.....525	1001200683.....25
1001153634.....335, 341	1001177470.....355	1001192255.....17	1001200684.....25
1001153635.....335, 341	1001177471.....357	1001192256.....141, 143	1001200685.....25
1001153748.....415, 489	1001177636.....363		
1001154229.....243, 245			
1001154405.....445, 447			

SECTION 12 - RECOMMENDED SPARE PARTS

1001200796 239	1001209103 513	1001232888 445, 447	1001247559 129
1001200797 239	1001209966 317, 319	1001233213 169, 629	1001254186 557
1001200850 611	1001210326 77	1001233235 169, 631	1001254187 557
1001200851 35	1001210402 253	1001233451 129	1007367100 175, 177
1001200925 25	1001213757 259, 261, 263, 265, 271	1001233503 129	1007367300 191, 193
1001200928 33	1001213955 167	1001233558 650	101977201 375
1001200945 239	1001213994 167	1001233572 59	1060628 39
1001201083 23	1001215630 627	1001233633 531	1060680 599
1001201114 449	1001215631 627	1001233660 67, 69, 71	10719267 331
1001201115 455	1001215632 627	1001233661 67	10837580 409, 411
1001201117 433	1001215778 311	1001233662 69	1101244 409, 411
1001201151 547	1001215898 551	1001233666 311	1271599 63
1001201252 507	1001215941 169	1001233720 71, 74	1321716 163
1001201526 39	1001217623 537, 539, 543, 545	1001233723 173, 175	14404793 74
1001201527 39	1001218358 632	1001233724 173, 191	1701500 642, 646, 650
1001201538 165	1001218381 567	1001233725 173	1702300 642, 646, 650
1001201659 63	1001219082 169, 551	1001233784 169	1706098 646
1001201668 74, 471	1001220705 319	1001234525 255	1706209 646
1001201826 525	1001220853 561	1001234526 257	1706281 646
1001202006 267, 435	1001221303 255, 383	1001234973 249	1706282 646
1001202007 255, 257, 259, 261, 263, 265, 267	10012223453 642, 650	1001234992 175, 521	1706284 646
1001202141 429	10012225578 459, 463	1001235014 247, 249	1706285 646
1001202247 169	10012226247 513	1001235015 247	1706292 646
1001202297 437, 439	1001226328 591	1001235711 259	1706296 642
1001202352 319, 331	1001226400 615	1001235712 261	1706298 642
1001202502 329	1001226541 589	1001235715 341	1706299 642
1001202939 317, 319	1001226636 589	1001235716 255, 257, 259, 261, 437	1706300 642
1001203181 169, 627	1001226637 589	1001236272 553, 555	1706301 642
1001204032 169, 503	1001226739 549, 589	1001236302 553	1706302 642
1001204045 75	1001226796 549	1001236316 215	1706850 642
1001204047 75	1001226799 549	1001236317 227	1707078 642
1001204360 393, 395	1001226831 551, 583	1001236319 233	1784861 63
1001204362 393, 395	1001227066 591, 615	1001236320 221	2080057 639
1001204363 393	1001227068 615	1001236321 241	2110404 405, 407, 419
1001204385 395	1001227077 169	1001236337 555	2110406 417
1001204464 393, 395	1001227091 135	1001236413 429	2110606 405, 407
1001204469 393, 395	1001227266 615	1001236417 429	2110608 415
1001204470 393, 395	1001227458 549	1001236418 429	2110808 143, 413
1001204674 169	1001227964 169	1001236419 429	2110810 417, 451
1001204676 169	1001228273 169	1001236420 429	2111010 403, 417, 425
1001204677 169	1001228447 71	1001236666 215, 217	2111012 417
1001204678 169	1001228593 551	1001236667 215, 219	2111212 145
1001204679 169	1001228643 169	1001236668 233	2112020 413
1001204854 459	1001228975 129	1001236669 233	2130404 81, 379, 435
1001204856 461	1001229107 591	1001236676 533	2130604 121
1001205397 169	1001229457 625	1001236678 535	2130606 121, 141, 143, 435
1001206603 169	1001229458 551, 625	1001236782 71, 423, 425, 680	2130608 121, 415, 419, 435
1001207171 631	1001229461 677	1001236783 71, 423, 425, 680	2130808 141, 143
1001207768 121	1001230503 169	1001236787 427	2131008 74
1001207837 267	1001230931 564	1001236788 427	2131010 401, 419, 451
1001207923 125	1001230934 557	1001236953 263	2131212 145, 417
1001207924 125	1001230935 557	1001236954 265	2144611 161
1001207925 125	1001231397 631	1001236957 263, 265, 439	2145004 373
1001207926 121, 125	1001231398 631	1001236959 263, 265, 297	2150404 379
1001208119 268	1001231400 631	1001237192 67, 423	2150406 391
1001208593 268, 564	1001231401 631	1001237214 69, 425	2150606 425
1001208616 255, 257, 273	1001231402 631	1001238317 75	2150608 121, 415
1001208617 259, 261, 263, 265, 275	1001231403 631	1001239184 267, 653	2150808 413
1001208759 35	1001231404 631	1001239539 169	2150810 451
1001208854 413	1001231406 631	1001239965 61	2151010 419
1001209009 121, 635	1001231801 642	1001239966 61	2151212 413
1001209063 437, 439	1001232351 217, 219	1001247421 547	2160002 79
1001209089 431, 433	1001232716J 15		2160016 77
1001209102 507	1001232719 59		2170108 413
	1001232722 425		

SECTION 12 - RECOMMENDED SPARE PARTS

2170110417	3311001 331, 507, 513, 613	4460374.....571, 572, 581, 607	4460942 557, 564, 607
2170112415	3311005 359, 531, 533, 535	4460419.....564	4460945 564, 573, 580, 583, 632
2170210451	3311405375, 653	4460457.....566, 572	4460970 569, 575, 581, 613
2170308417	3311501 39, 317, 319	4460458.....573, 599, 607, 631	4460994 557, 565, 569, 595, 597, 601
2170406413	331150227	4460459.....566	4461008558, 580
2170410161	3311505 33, 165, 167, 531, 533, 535	4460464.....527, 529, 561, 564, 565, 567, 569, 572, 575, 577, 580, 581, 589, 593, 595, 597, 599, 601, 603, 605, 609, 615, 623, 629, 635	4461018572
2170412161	3311508523	4460465.....558, 561, 564, 565, 566, 567, 569, 571, 572, 573, 580, 581, 583, 587, 589, 597, 601, 631, 635	4461021611
2170506 437, 439	331160825	4460466.....527, 558, 564, 565, 569, 571, 572, 573, 575, 580, 581, 583, 587, 589, 595, 613, 623, 631	4461054558
2170704 161, 413	331170574	4460475.....566, 631	4461070558
2170708417	334094317	4460488.....539, 545	4461071557
2170712 161, 413	339141081, 123	4460496.....572	4461095557, 558
2170804161	342327593, 95	4460497.....572	4461115 597, 599, 603, 605
2170808413	3430507371	4460509.....572	4461118573, 585
2171712413	3450304371	4460518.....572, 573, 580, 583, 631	4461119521, 613
2171716413	3576766173	4460536.....565, 572, 581	4461174 537, 539, 543, 545
2220218425	3700016646	4460539.....564, 572, 580, 583, 631	4461227585
222023927	3740080 331, 513, 571, 573, 613	4460705.....565	4461262 566, 571, 593
2220251 165, 167	3790152169	4460742.....571, 631	4520259229, 231
2220313 165, 167	3900302301, 303	4460746.....597, 599, 603, 605	4640163 217, 219, 223, 225, 229, 231, 243, 245
2220550413	3900306331	4460748.....573	4641474421
2220591435	390039374	4460761.....565, 580, 631	4711000 331, 507, 513, 613
2220612427	3910408507	4460809.....632	4711400 87, 301, 413, 445, 447, 449, 507, 513, 531, 533, 535, 539, 545, 553
2220885463	3930812555	4460851.....564, 580	4711500 17, 25, 27, 39, 75, 141, 143, 157, 267, 347, 413, 423, 425
2221198 445, 447	3931010295	4460852.....580	4711600 .. 17, 25, 79, 141, 143, 159, 165, 167, 401, 403, 507
2221229429	3931012547	4460871.....565	471170074
2221257161	3931412267, 397	4460872.....565	4711800459, 461
2221285175	393141625	4460884.....564, 566, 573, 587, 631	4711900445
2221290 423, 425	3931448513	4460891.....557, 561, 566, 571, 572, 573, 580, 581, 597, 601, 607, 631, 635	4712000 47, 51, 55
2300037329	3931548425	4460897.....557, 566, 567, 577, 580, 581, 599, 603, 605, 613, 635	471220033, 35
2340037111	3931556121	4460905.....565	4740120303
2400060566	3931572121	4460911.....580	4740281145
2620052 55, 57	3931579646	4460930.....565, 569, 572	4750400507
2820019599	394457445, 49	4460931.....609	475060029
2820171561	3951814123	4460932.....529, 561, 613, 623, 629	4750800555
2902443557	3960600611	4460933.....558, 564, 572, 583	4751000 531, 533, 535
2920204 533, 535	3983720211	4460941.....557, 569	4751400445
2920206 537, 539, 541	3983731183, 199		4751500255, 257
2920207621	3984301 181, 183, 199		475160059, 61
2920208 531, 533	3990013567		4752200 23, 43, 45, 47, 49, 51, 55, 547
2920209337	4031612611		4761000507
31211321681	4031918449		4761400267, 371
31211325681	4040291173		476160079, 507
3271405 377, 507	4100181 642, 646, 650		476220033
3271501 17, 141, 143, 157	410526274		4771000331
3271601 17, 135, 141, 143, 145, 159, 507	4240032 541, 549, 551		480453349
3272201 33, 173, 253	4240033547		480592149
3272401 25, 253	4240084239		4811400341
328200125	4240099429		4811600 129, 169, 551, 611
3290405341	4360658 531, 533, 535		4811700 19, 89, 539
3290505 169, 551	4460019564, 571		4811700001383
3290507611	4460042527		
3290601 89, 541	4460043 564, 567, 571, 573		
3290605 19, 539	4460227580		
3290801 141, 143, 331, 371	4460234549, 551		
3290807 617, 619	4460259 569, 573, 581, 607		
329100785	4460260 569, 573, 581, 607		
3291201275	4460267565		
3300143507	4460312571		
3300240 93, 95	4460321632		
330043087			
3300454513			
3310401507			
3310805555			

SECTION 12 - RECOMMENDED SPARE PARTS

4811900.....75, 129, 141, 143, 149, 169, 317, 319, 331, 617, 619	70020290 187	70021361 107	70024863 181
4811902 331	70020291 187	70021362 107	70024864 181
4812000...74, 77, 89, 129, 135, 145	70020292 187	70021363 97, 99, 107, 497	70024866 181, 197
4812002 77	70020293 187	70021364 107	70024873 181
4812100.....129, 131, 133, 135, 161, 331	70020295 187	70021365 107	70024874 181
4812300 49	70020296 187	70021366 107	70024875 181
4831700 541	70020297 187	70021367 107	70024878 183, 199
4832000 267	70020298 187	70021368 107	70024881 183, 199
4891400 145	70020301 189	70021369 107	70024883 183, 199
4891500.....33, 165, 167, 413, 531, 533, 535	70020302 189, 201	70021370 107	70024888 213
4891600 25	70020303 197	70021377 107	70024897 187
4891700 135	70020346 205	70021387 107	70024927 181, 197
4892000 25, 129	70020370 467, 680	70021397 101	70024929 181, 197
4892200 173	70020372 467	70021399 107	70024933 475
4892400 25, 253	70020373 467	70021415 101	70024934 475
4920017 529, 577, 623	70020375 467	70021440 497, 499	70024935 475
4923141 561	70020376 471	70021444 497, 499	70024936 475
4923287 557	70020377 467, 680	70021446 497, 499	70024937 475
5220500 533, 535	70020390 680	70021447 97, 99, 101, 497, 499	70024938 475
5241000 85	70020551 369	70021448 97, 99, 101, 497, 499	70024939 475
5272012 553	70020555 117	70021451 497, 499	70024940 477
70002064 411	70020560 107	70021452 497, 499, 680	70024941 477
70002386 409, 411	70020562 107	70021462 499	70024942 477
70004637 469, 473	70020764 453, 495	70021464 97, 99, 497	70024943 477
70005433 463	70020769 397, 680	70021475 493	70024944 477
70020230 181	70020770 397	70021531 453, 495	70024945 477
70020231 181	70020771 397	70021928 181, 205	70024947 477
70020232 181	70020795 337	70021929 181, 205	70024948 477
70020233 197	70020867 489	70021939 181	70024949 477
70020234 181, 197	70020871 485	70021940 187	70024950 477
70020235 181	70020919 493, 680	70021941 187	70024951 479
70020240 181, 197	70020920 493	70021942 187	70024952 479
70020243 181	70020922 487, 680	70022097 99, 101	70024953 479
70020244 181, 205	70020923 385, 389	70022102 99, 101	70025562 183, 199
70020245 181, 205	70020924 385, 389	70022103 99, 101	70025925 325
70020247 181, 187, 205	70020925 385, 389	70022104 99, 101	70026263 187
70020249 181, 205	70020926 389	70022105 97, 99, 101	70026308 ... 463, 469, 473
70020250 181	70020927 389	70022106 97, 99	70026582 489
70020251 181, 197	70021076 197	70022107 101	70026875 183, 199
70020252 181	70021147 ... 179, 183, 199	70022108 101, 499	70027024 307
70020253 181	70021150 ... 183, 207, 209	70022110 101	70027025 307
70020255 181	70021151 183, 199	70022111 101	70027026 307
70020256 181	70021155 183, 199	70022112 101	70027028 307
70020257 181	70021196 197	70022564 ... 463, 469, 473	70027030 307
70020258 181	70021200 203	70022726 477	70027032 307
70020259 181	70021221 205	70022805 325, 327	70027033 307
70020260 181	70021270 501	70022818 57	70027034 307
70020261 181	70021271 501	70022847 487	70027035 307
70020262 181	70021272 501	70023035 189, 201	70027114 183, 199
70020263 181	70021273 501	70023036 189, 201	70027176 53, 57
70020265 181	70021275 501	70023040 309	70027177 53
70020266 181	70021276 501, 680	70023041 309	70027178 53
70020267 181	70021338 97, 99, 101	70023139 313	70027242 469, 473
70020269 ... 181, 189, 201	70021342 97, 107	70023325 369	70027243 469, 473
70020271 181	70021343 97, 99	70023369 ... 463, 469, 473	70027244 469, 473
70020273 187	70021345 97, 99	70023371 473	70027245 469
70020276 187	70021346 97, 99	70023372 469	70027246 469
70020280 187	70021347 97, 99	70023373 473	70027247 469
70020282 187	70021348 97, 99	70023945 411	70027248 469, 680
70020284 187	70021349 97, 99, 101	70023946 409, 411	70027250 473
70020285 187	70021350 97, 99, 101	70023974 467	70027251 ... 463, 473, 680
70020288 197	70021351 97, 99, 101	70024190 680	70027252 473
	70021356 107	70024191 680	70027253 473
	70021357 107	70024386 327	70027254 473
	70021358 107	70024528 187	70027255 473, 680
	70021359 107		70027256 463
	70021360 107		

SECTION 12 - RECOMMENDED SPARE PARTS

70027257	463	70029296	187	80204172	183, 199	8310160	74
70027259	463	70029297	187	80204178	181	8310246	249
70027260	463	70029298	187	80204213	197	8310297	129, 131, 133, 135
70027261	463	70029299	187	80204281	187	8310420	149
70027262	463, 680	70029300	189, 201	80233256	381	8310748	135
70027315	183, 199	70029301	189, 201	80233257	381	83191010	247
70027400	481, 483	70029302	197	80264138	397	83201102	51
70027401	481	70029303	197, 205	80264139	397	8342813	21, 279, 681
70027556	481, 483	70029304	199	80325	267	8360005	163
70027557	481, 483	70029441	497	80333184	379, 381	8405006	25, 445, 447
70027591	155	70050641	101	80334492	475	8405101	169
70027592	155	7010543	409, 411, 485	8033761	409, 411	8405102	145, 147
70027610	471	7012941	485	8035487	267	8405104	145
70027611	471	7024872	485	8036629	467	8405201	145
70027612	471	7026481	369	80383231	317, 319	8405204	159
70027632	327	7026798	307, 309	80383410	367, 369	8406003	507
70027638	471, 680	7026799	309	80623016	427	8406102	445, 447
70027859	181	7026900	309	806253	39	8406112	129
70027862	187	7026901	309	806264	39	8410001	141, 143
70027865	189, 201	7026902	309	80633030	429	8410009	163, 317, 319
70027866	189, 201	7026905	309	80673023	129	8410011	149, 157, 169
70027989	101	7026906	309	80963058	613	8420227	145
70028239	483	7028706	179, 183, 187, 195, 199	80963062	566	8420236	145
70028240	483	7028733	183, 199	80983191	564, 571	8430032	161, 429
70028241	483	7028733	183, 199	82033997	271, 301, 303	8430068	165, 167
70028388	181, 680	7029432	183, 199, 211	8220007	569	8430082	161
70028389 ...	181, 199, 680	7029520	117	8220035	629	8466306	267
70028473	213	7029521	117	8220045	557, 571	84712749	163
70028474	213	7029690	97, 99, 101	8220051	557, 567	8520001	427
70028514	503	7029691	97, 99	8220081	571, 572	8520012	74
70028515	503	7029692	97, 107	8220089	571, 573, 607	8520031	74
70028516	503	7029700	97, 99	8220108	629	8584003	427, 553
70028517	503	7029705	97, 99	8220115	564, 571	85941016	539, 545
70028535	203	7029711	97, 99, 101, 107	8220125	573	85941017	539
70028856	463	7029713	97, 99	8220162	607	8642207	74
70028884	187	7029714	101, 107	8220164	581	8642224	74
70029265	179, 195	7075611	74	8223531	331	86561311	379
70029266	181	7082362	74, 680	8229234	631	86883327	25
70029267	181, 205	7126182	74, 680	8229235	631	8750042	331
70029268	181	7126662	74	8229242	564, 571	8769122	74, 79, 423, 425
70029269	183	7139886	459, 461	8229243	564	8769123	74, 79, 331, 423, 425
70029270	183, 199	7300032	74, 680	8229244	564, 571	8770241	175
70029271	183, 199	7300034	74, 680	8229245	564	8770248	161
70029272	183, 199	7300518	74, 680	8229246	564	8770296	161
70029273	183, 199	77133136	75, 423, 425	8229261	631	88212229	413
70029274	183, 199	77133137	75, 317, 319, 423, 425	8275212	159	88261026	145
70029275	183, 199	77133279	317, 319	8303034	267, 283, 285, 319, 331, 337, 339, 341, 375, 377, 539, 545, 653	88261030	249
70029276	183, 199	77143016	513, 613	8303114	413	88501010	47, 51, 55
70029277	183, 199	77383377	507	8303739	79	88501012	35, 45, 47
70029278	183, 199	8001888	81	8303839	507	88521205	267
70029279	183, 199	8001989	617	8303839	507	88521206	249
70029280	183, 199	8001991	619	8305002	303	88521208	79, 83, 121, 459, 461
70029281	183, 199	8002110	81	8305004	445, 447	88521304	337, 371
70029282	183, 199	8002789	47	8305038	135	88631566	513
70029283	183, 199	8005670	646	8305624	507	88662480	161
70029284	183, 199	8005671	63	8305626	121, 425	88662482	429
70029285 ...	183, 199, 213	8005870	642, 646, 650	8305626	121, 425	88662523	401, 403
70029286 ...	183, 199, 207	8010200	45	8305645	74, 425	8866514	255, 257, 259, 261, 263, 265
70029287 ...	183, 199, 209	8010204	45, 47	8307024	255, 257, 259, 261, 263, 265	88671001	74
70029288	183	8010234	47	8307106	121, 425	8880219-OM	173
70029289	183, 199	80204012	183, 199	8307109	267	8880220	173
70029290	183, 199	80204065	183	8307110	425	8880221	173
70029291	184, 199	80204111	187	8307222	163	8881802	539, 545
70029292	184, 199	80204117 ..	183, 187, 199, 680	8307904	74		
70029293	187	80204147	181	8310053	267		
70029294	187						
70029295	187						

SECTION 12 - RECOMMENDED SPARE PARTS

8904001.....	145	90554076.....	107	91404016.....	397	91513266.....	247
90027187.....	425	90554080.....	117	91404326.....	397	91514117.....	183
90027473.....	253	909304.....	63	91413036.....	317, 319	91514118.....	247
90028488.....	17	91043147.....	425	91474507.....	183, 199	91514188 ...	179, 183, 195
90200003.....	93, 95	91143339.....	557	91474512...181, 183, 199,		91514189.....	183, 199
90554016.....	97, 99	91143340.....	572	680		91514224.....	397
90554017.....	97, 99, 101,	91143357.....	507, 681	91474532.....	197	91514272.....	327
107		91304025.....	397	91474579.....	211	91554014.....	564
90554020.....	97, 99, 101	91403097.....	253	91474580.....	211	91563136.....	27
90554042.....	97, 99, 101	91403153.....	253	91474584.....	183, 199	91563164.....	313
90554045.....	497, 499	91403217.....	253	91474585.....	213	91563220 ...	642, 646, 650
90554062.....	107	91403412.....	173	91504028.....	397	91565064.....	313
90554065.....	97, 99, 107	91404013.....	397	91504029.....	397		



31211319



An Oshkosh Corporation Company

Corporate Office
JLG Industries, Inc.
1 JLG Drive
McConnellsburg, PA 17233-9533 USA
☎ **(717) 485-5161 (Corporate)**
☎ **(877) 554-5438 (Customer Support)**
📠 **(717) 485-6417**

Visit our website for JLG Worldwide Locations.
www.jlg.com