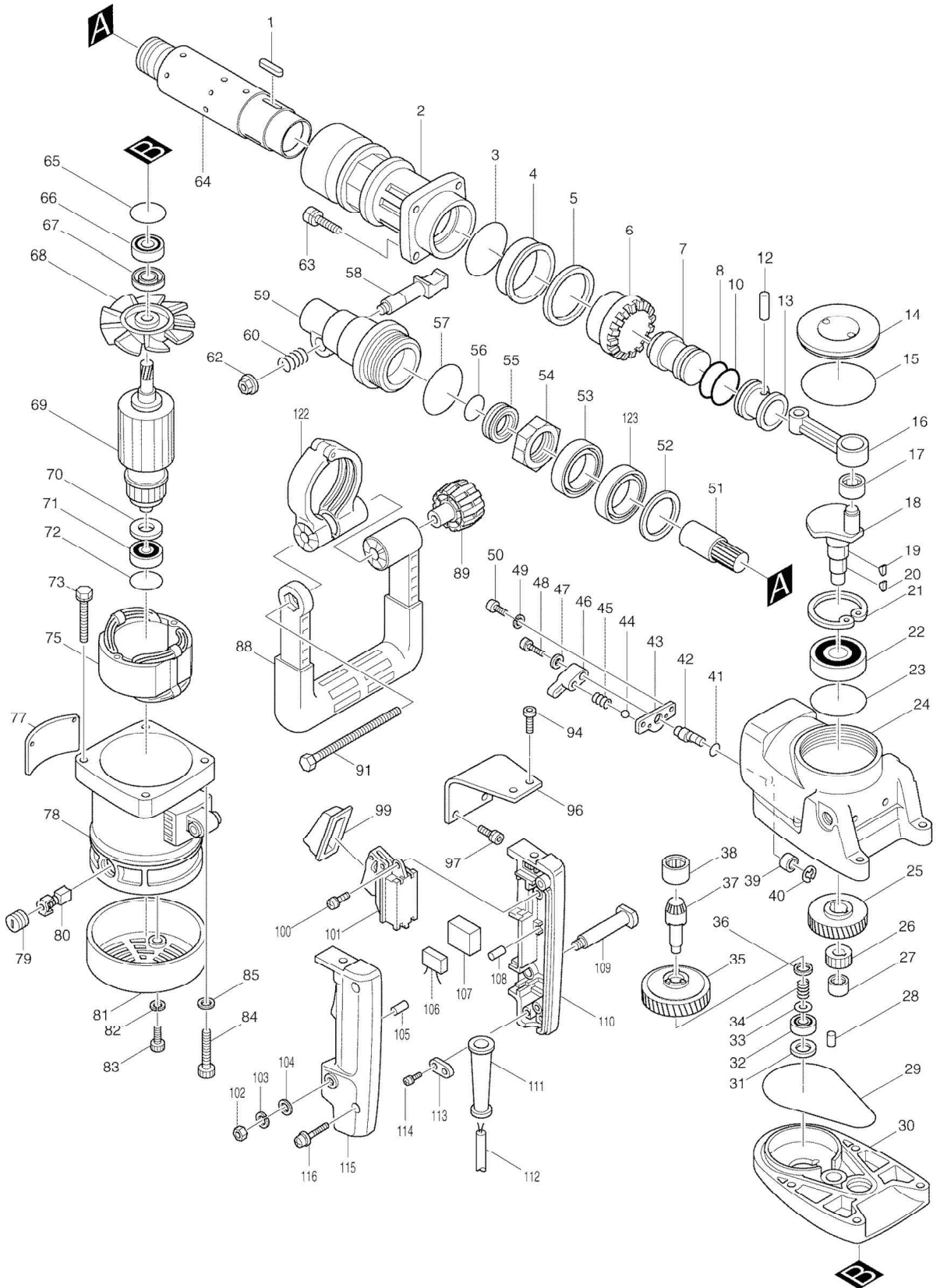




Click Here To View
Item at

www.GapPower.com

*Sales • Rentals
Parts & Service*





Parts Breakdown

HR5000

Products with multiple versions are listed in subsiding order with the newest version on top not indented

| <u>Fig #</u> | <u>Part ID</u> | <u>Part Name</u> | <u>Quantity</u> |
|--------------|----------------|-------------------------------|-----------------|
| 1 | 254231-5 | KEY 4, HR3851 | 3 |
| 2 | 316068-9 | BARREL, HR5000 | 1 |
| 3 | 213707-1 | O RING 65, HM1100C | 1 |
| 4 | 214653-1 | P. BEARING 52, HR5000 | 1 |
| 5 | 267044-5 | F. WASHER 52, HR5000 | 1 |
| 6 | 221380-3 | SPIRAL B. GEAR 41, HR5000 | 1 |
| 7 | 323751-1 | STRIKER, HR5000, T2 | 1 |
| | 322155-4 | STRIKER, HR5000, T1 | |
| 8 | 213481-1 | O-RING 32, HR5000, T2 | 1 |
| | 412049-2 | PISTON RING 40, HM1211B | |
| 10 | 213481-1 | O-RING 32, HR5000, T2 | 1 |
| | 412049-2 | PISTON RING 40, HM1211B | |
| 12 | 256120-0 | PIN 10, HM1211 | 1 |
| 13 | 323750-3 | PISTON, HR5000, T2 | 1 |
| | 321441-0 | PISTON, HM1211 | |
| 14 | 150046-7 | CRANK CAP, HR5000 | 1 |
| 15 | 213754-2 | O RING 71, HR5000 | 1 |
| 16 | 315419-3 | CONNECTING ROD, HR5000 | 1 |
| 17 | 212208-6 | N. BEARING 1516, HR5000 | 1 |
| 18 | 153176-3 | CRANKSHAFT, HR5000 | 1 |
| 19 | 254001-2 | WOODRUFF KEY 4, LS1016L | 2 |
| 21 | 962251-2 | RETAINING RING R-52, HR5000 | 1 |
| 22 | 211327-5 | BALL BEARING 63604LLU, HR5000 | 1 |
| | 211314-4 | BALL BEARING 6304, HM1211, T1 | |
| 23 | 213656-2 | O RING 53, AN451 | 1 |
| 24 | 158573-8 | CRANK HOUSING, HR5000 | 1 |
| | 157868-6 | CRANK HOUSING, HR5000 | |
| 25 | 221761-1 | H. GEAR 41, HR5000 | 1 |
| 26 | 221957-4 | S. GEAR 24, HR5000 | 1 |
| 27 | 212113-7 | N. BEARING 1212, LS1440 | 1 |
| 28 | 263005-3 | RUBBER PIN 6, LS1016L | 1 |
| 29 | 421690-0 | SEAL RING, HR5000 | 1 |
| | 213906-5 | O RING 113, HR5000-T1 | |
| 30 | 157867-8 | GEAR HOUSING, HR5000 | 1 |
| 31 | 253787-5 | F. WASHER 16, 2030N | 1 |
| 32 | 210004-6 | BALL BEARING 638, HR5000 | 1 |
| 33 | 253865-1 | F. WASHER 8, HR5000 | 1 |
| 34 | 231446-1 | COMP. SPRING 12, HR5000 | 1 |
| 35 | 150009-3 | TORQUE LIMITER, HR5000 | 1 |
| | 134499-8 | TORQUE LIMITER ASS'Y | |
| 36 | 253310-6 | T. WASHER 10, HR5000 | 1 |
| 37 | 153174-7 | GEAR, 6043D | 1 |
| 38 | 212359-5 | N. BEARING 2216, HR3851 | 1 |
| 39 | 212011-5 | N.BEARING 609, JS1600 | 1 |
| 40 | 961011-9 | STOP RING E-4, LS1016L | 1 |
| 41 | 213055-8 | O RING 10, HR3851 | 1 |
| 42 | 322187-1 | CHANGE SHAFT, HR5000 | 1 |
| 43 | 342786-3 | PLATE, HR3851 | 1 |
| 44 | 216002-8 | STEEL BALL 4.8, WT01W | 1 |
| 45 | 231317-2 | COMP. SPRING 3, HR3851 | 1 |
| 46 | 410331-3 | CHANGE LEVER, HR3851 | 1 |
| 47 | 941052-1 | F. WASHER 4, 9218SB | 1 |
| 48 | 922126-7 | H.S.H. BOLT M4X16, 4330DWA | 1 |
| 49 | 942101-7 | SPRING WASHER 5, 9005B | 2 |
| 50 | 922212-4 | H.S.H. BOLT M5X12, HR3851 | 2 |
| 51 | 322156-2 | IMPACT BOLT, HR5000 | 1 |
| 52 | 267043-7 | F. WASHER 43, HR5000 | 1 |
| 53 | 211469-5 | BALL BEARING 6907, HR5000 | 1 |



Parts Breakdown

HR5000

| | | | |
|-----|----------|--------------------------------|---|
| 54 | 252119-3 | NUT M34, 8-41,HR5000 | 1 |
| 55 | 213428-5 | X-RING 28, HR5000 | 1 |
| | 213420-1 | X RING 28, HR5000-T1 | |
| 56 | 213411-2 | O RING 27, HR3851 | 1 |
| 57 | 213663-5 | O RING 55, HR5000 | 1 |
| 58 | 331132-5 | TOOL RETAINER, HR5000 | 1 |
| 59 | 322203-9 | TOOL HOLDER, HR5000 | 1 |
| 60 | 231281-7 | COMP. SPRING 15, HM1500 | 1 |
| 62 | 252046-4 | HEX NUT M8-13, HR5000 | 1 |
| 63 | 922451-6 | H.S.H. BOLT M8X30, JS3200 | 4 |
| 64 | 152396-6 | CYLINDER LINER, HR5000 | 1 |
| 65 | 213459-4 | O RING 32, 5007F | 1 |
| 66 | 211129-9 | BALL BEARING 6201DDW, GA4030 | 1 |
| 67 | 213160-1 | OIL SEAL 14, HR3851 | 1 |
| 68 | 241634-2 | FAN 94, HR3851 | 1 |
| 69 | 514886-1 | ARMATURE ASSY 115V, HR5000 | 1 |
| 70 | 681635-2 | INSULATION WASHER, HM1211B | 1 |
| | 681624-7 | INS. WASHER, HM1800,T1 | |
| 71 | 211087-9 | B. BEARING 6200DDW, 4114 | 1 |
| | 211066-7 | B. BEARING 6200LLB, BO4552 | |
| 72 | 213406-5 | O RING 30, HR5000 | 1 |
| 73 | 265346-3 | HEX BOLT M5X55, HR5000 | 2 |
| 75 | 524831-8 | FIELD ,HR5000 | 1 |
| 76 | 953106-2 | RIVET 0-5, HM1500 | 4 |
| 77 | 855983-7 | NAME PLATE, HR5000 | 1 |
| 78 | 159054-5 | MOTOR HOUSING, HR5000 | 1 |
| 79 | 643650-4 | BRUSH HOLDER CAP, 5007F | 2 |
| 80 | CB155 | CARBON BRUSH SET, 194987-7 | 1 |
| | 194987-7 | CARBON BRUSH SET, 194987-7 | |
| | 181048-2 | CARBON BRUSH 155, HR5000 | |
| 81 | 284055-5 | REAR COVER, HR3851 | 1 |
| 82 | 942101-7 | SPRING WASHER 5, 9005B | 2 |
| 83 | 922221-3 | HEX BOLT M5X16, 6906 | 2 |
| | 922222-1 | H.S.H. BOLT M5X16, HM1211B | |
| 84 | 922376-4 | H.S.H. BOLT M6X55, HR5000 | 4 |
| 85 | 941151-9 | F. WASHER 6, 5007NB | 4 |
| | 416061-4 | SIDE HANDLE, HR5000 | |
| | 134887-9 | SIDE HANDLE ASSY, HR5000 | |
| | 152343-7 | SIDE HANDLE CPL.,HR5000 | |
| 89 | 252640-2 | WING NUT M8, HM1214C & HM1203C | 1 |
| | 259020-3 | WING NUT M10, HR5000,T1 | |
| 91 | 265439-6 | HEX BOLT M8X150, HM1100C | 1 |
| | 265902-9 | SET BOLT M10X20, HR5000,T1 | |
| 94 | 922316-2 | HEX BOLT M6X14, HR3851 | 2 |
| 96 | 343754-9 | CUSHION PLATE, HR3851 (T2) | 2 |
| 97 | 265914-2 | H.S.H.BOLT M6X25, HM1211B | 2 |
| 99 | 421265-5 | DUST COVER, HR3851 | 1 |
| 100 | 911129-6 | P.H. SCREW M4X16, HR5000 | 1 |
| 101 | 651145-3 | SWITCH, HM1211B | 1 |
| 102 | 931302-2 | HEX NUT M6, HR2400 | 1 |
| 103 | 942151-2 | SPRING WASHER 6, 5007NB | 1 |
| 104 | 941151-9 | F. WASHER 6, 5007NB | 1 |
| 105 | 263002-9 | RUBBER PIN 4, 5007MG | 1 |
| 109 | 321210-9 | HANDLE SHAFT, HR3851 | 1 |
| 110 | 182077-8 | HANDLE SET, HR5000 | 1 |
| 111 | 682568-4 | CORD GUARD, HR5000 | 1 |
| | 682505-8 | CORD GUARD, 5007F | |
| 112 | 664276-9 | CORD (2X16X16 SJ), HR5000 | 1 |
| 113 | 687001-1 | STRAIN RELIEF, 6013BR | 1 |
| 114 | 911133-5 | P.H. SCREW M4X18, N9501B | 2 |
| 115 | 182077-8 | HANDLE SET, HR5000 | 1 |



Parts Breakdown

HR5000

| | | | |
|-----|----------|---------------------------------|---|
| 116 | 911243-8 | P.H. SCREW M5X25, GA7911 | 2 |
| 117 | 262051-3 | RUBBER RING, HR3851 | 2 |
| 118 | 262052-1 | RUBBER RING 9, HR3851 | 2 |
| 119 | 257636-8 | SLEEVE 6, HR3851 | 2 |
| 120 | 151768-2 | SIDE HANDLE 62 CPL.,HR5000 | 1 |
| | 416480-4 | UPPER HANDLE BASE,HR5000,T3 | |
| | 416060-6 | UPPER HANDLE BASE, HR5000,T2 | |
| | 414774-1 | HANDLE BASE, HR5000,T1 | |
| 121 | 151768-2 | SIDE HANDLE 62 CPL.,HR5000 | 1 |
| | 416481-2 | LOWER HANDLE BASE,HR5000,T3 | |
| | 416089-2 | LOWER HANDLE BASE, HR5000,T2 | |
| 122 | 151768-2 | SIDE HANDLE 62 CPL.,HR5000 | 1 |
| | 344617-2 | HANDLE SPRING 62,HR5000,T2 | |
| | 344387-3 | HANDLE SPRING 62, HR5000,T1 | |
| 123 | 211469-5 | BALL BEARING 6907, HR5000 | 1 |
| | 150589-9 | PLASTIC TOOL CASE,HR3851,HR5000 | 1 |
| | 783202-0 | HEX WRENCH 4, 2107F | 1 |
| | 273472-4 | GRIP 32, HR3851 | 1 |
| | 134887-9 | SIDE HANDLE ASS'Y, HR5000 | 1 |
| | 134797-0 | SIDE HANDLE ASSEMBLY, HR5000,T2 | |
| | 810246-8 | N/A | 1 |