

GH2T

GANTRY SERIES



SUMNER

Sumner Manufacturing Co., Inc.

All New 2-Ton Aluminum Gantry



- ✓ Available in 8', 10', 12' & 15' or 3 m, 4 m & 5 m beam lengths
- ✓ 2 Metric Ton (4,400 lb) Capacity
- ✓ Lightweight & Extremely Portable
- ✓ Quick Two-Person Assembly
- ✓ Adjustable Span
- ✓ Minimum Pieces – 2 A-Frames with 8" casters, Trolley, Cross Beam and attaching hardware
- ✓ Aluminum Frames & Beam
- ✓ Anodized frame
- ✓ 8" Locking Casters
- ✓ Quick Height Adjustment
- ✓ Pinch Point Free

Innovative Mast Height Adjustment

1



Adjust mast lifting handle with plunger pin to comfortable lifting position



8' (2.4 m) Beam
Chain hoist not included

2



Lift mast and remove quick-action mast locking pin – no bolts!

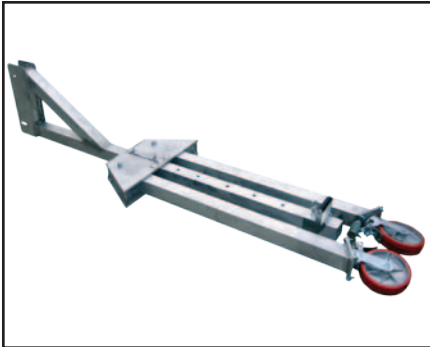
3



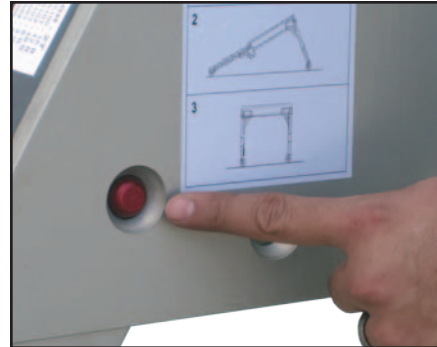
When lifting handle is next to frame, mast holes are aligned for locking pin

Adjust height in 6" (15 cm) increments

GH-2T UNIQUE FEATURES



A-frame legs lock in closed position – no bolts



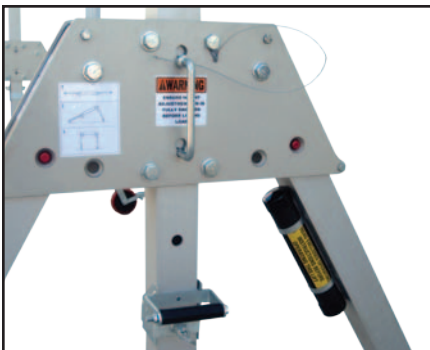
Push button leg lock release & locking



A-Frame legs lock in closed or opened position



No pinch points – spacer prevents pinched fingers



Tool-free A-Frame operation ... with instructions tube



Casters can be locked at 90 degree angle for easy transport



8" caster with foot brake & four 90 degree locking positions



Beam span adjustment on 10 ft (3 m) lengths & longer

GANTRY ASSEMBLY

The Sumner GH2T Gantry can be assembled in minutes with just two people and two wrenches. The leverage design eliminates the need for fork lifts or other lifting devices. The all aluminum frame resists corrosion and is light weight.



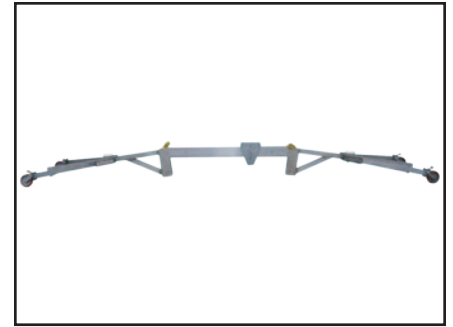
1 Open "A" frame

2 Lay out beam & "A" frames



3 Attach with one bolt to each "A" frame

4 Ready to lift



5 Raise one frame

6 Raised frame

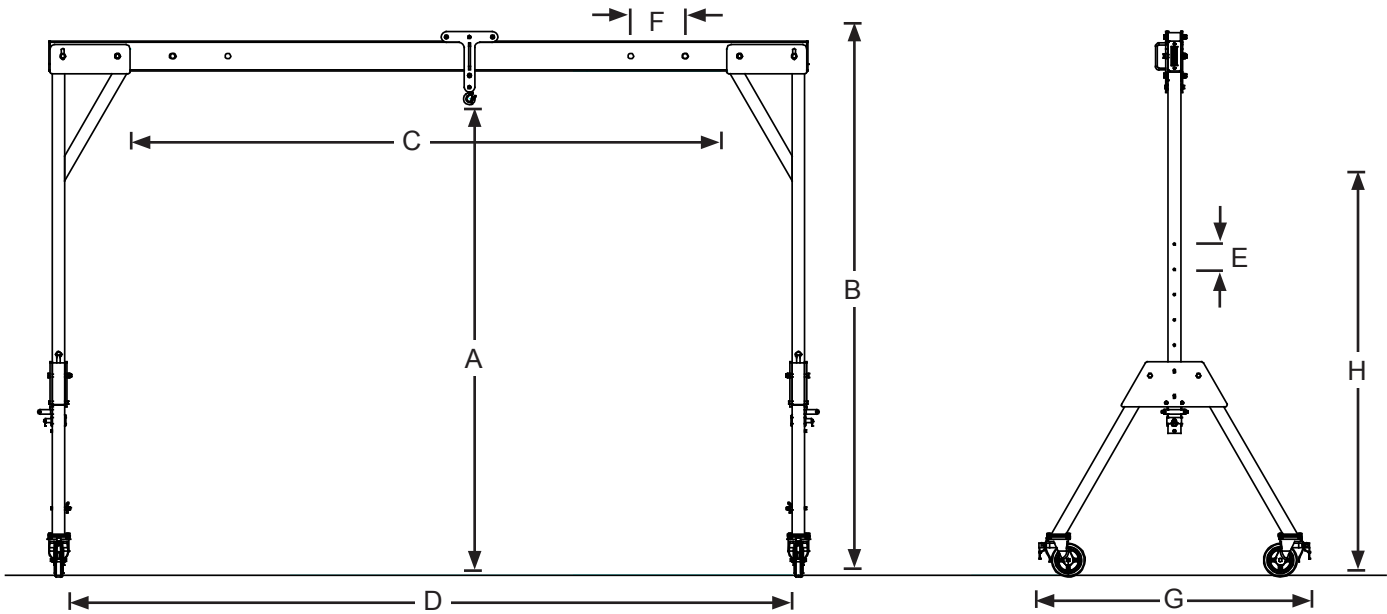


7 Raise 2nd "A" frame

8 Attach 2nd bolts & tighten all



GH2T Gantry Lift Dimensions

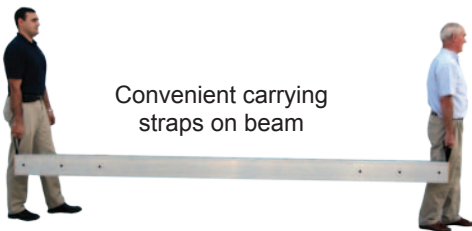


Part No.	Gantry Model	A Max/Min Height To Lifting Eye	B Max Height To Top Of Trolley	C Max Working Span	D Span Between Wheels	E Height Adjustment	F Span Adjustment*	G Max Width Of "A" Frame	H Stored Height of "A" Frame
785100	GH2T-15 (15' Beam)	114"		142" (360.68 cm)	15' 1" (459.74 cm)				
785101	GH2T-12 (12' Beam)	(289.56 cm)	128.5"	106" (269.24 cm)	12' (365.76 cm)	6"	13"	60.625"	100"
785102	GH2T-10 (10' Beam)	84"	(326.39 cm)	82" (208.28 cm)	10' (304.8 cm)	(15.24 cm)	(33.02 cm)	(153.98 cm)	(254 cm)
785103	GH2T-8 (8' Beam)	(213.36 cm)		58" (147.32 cm)	8' (243.84 cm)				

GH2T Gantry comes with 2 A-Frames with 8" casters, Trolley, Cross Beam and attaching hardware.

*15" beam has 3 adjustment positions.
8" beam has none.

Gantry Part No.	Gantry Model	Weight		Beam Part No.	Beam Model	Weight	
		lbs	kg			lbs	kg
785100	GH2T-15 (15' Beam)	323.0	146.5	785150	15'	82.0	37.1
785101	GH2T-12 (12' Beam)	307.0	139.2	785151	12'	65.6	29.7
785102	GH2T-10 (10' Beam)	296.0	134.2	785152	10'	54.7	24.8
785103	GH2T-8 (8' Beam)	285.0	129.2	785153	8'	47.7	21.6



Convenient carrying straps on beam



Set screw holds trolley in place

Large positioning handle on trolley



SUMNER
Sumner Manufacturing Co., Inc.
www.sumner.com

Sumner - U.S.

7514 Alabonson Road
Houston, TX 77088
Ph: 281-999-6900
Fax: 281-999-6966

Sumner Canada

75 Saltsman Drive, Unit 5
Cambridge, Ontario N3H 4R7
Ph: 519-653-5300
Fax: 519-653-5305

Sumner U.K.

Unit 16A, Blackpole Trading Estate East
Blackpole Road
Worcester WR3 8SG
Ph: (44) 01905 458333
Fax: (44) 01905 458222

Sumner Netherlands

Kinsiusstraat 28
3882 VJ Putten
Ph: (31) 0 6 1314 7979
Fax: (44) 01905 458222

DISTRIBUTED BY: