

PULLMAN-HOLT

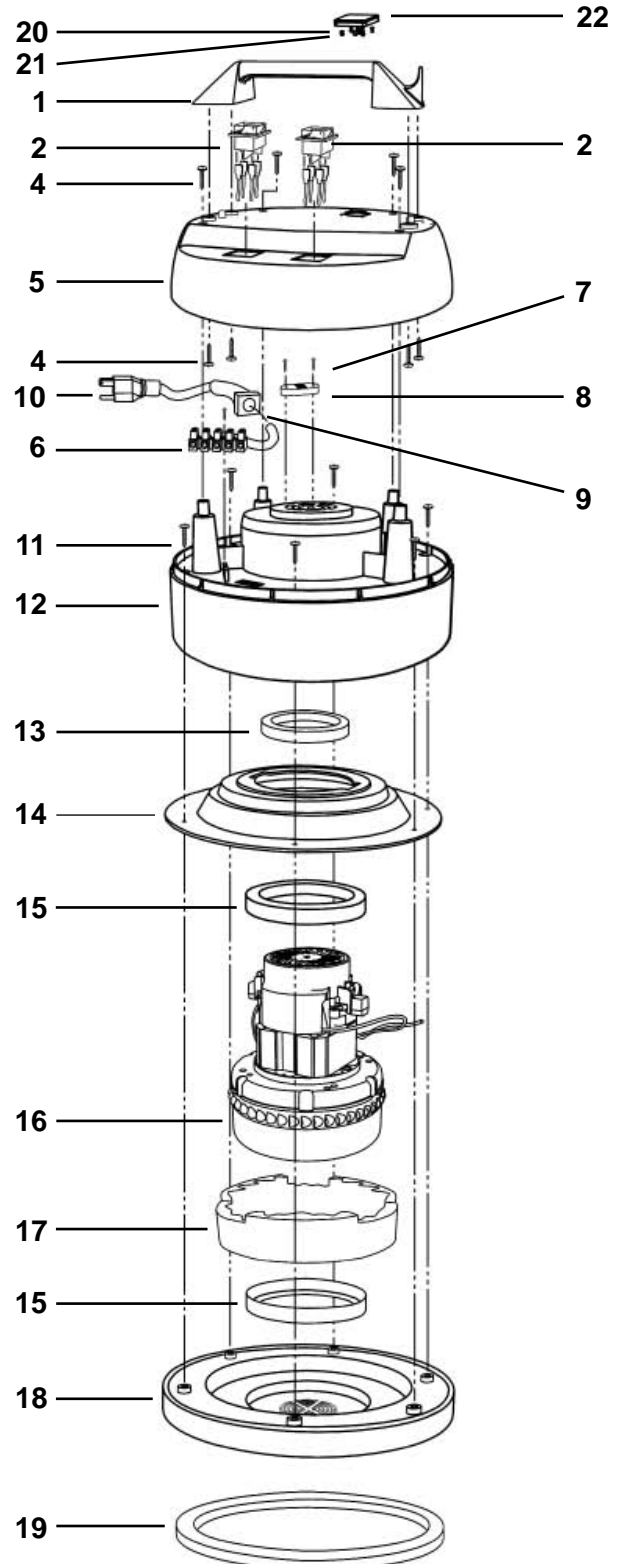
REPLACEMENT PARTS LIST

Save for future reference

45-20POV Pump Out Vacuum

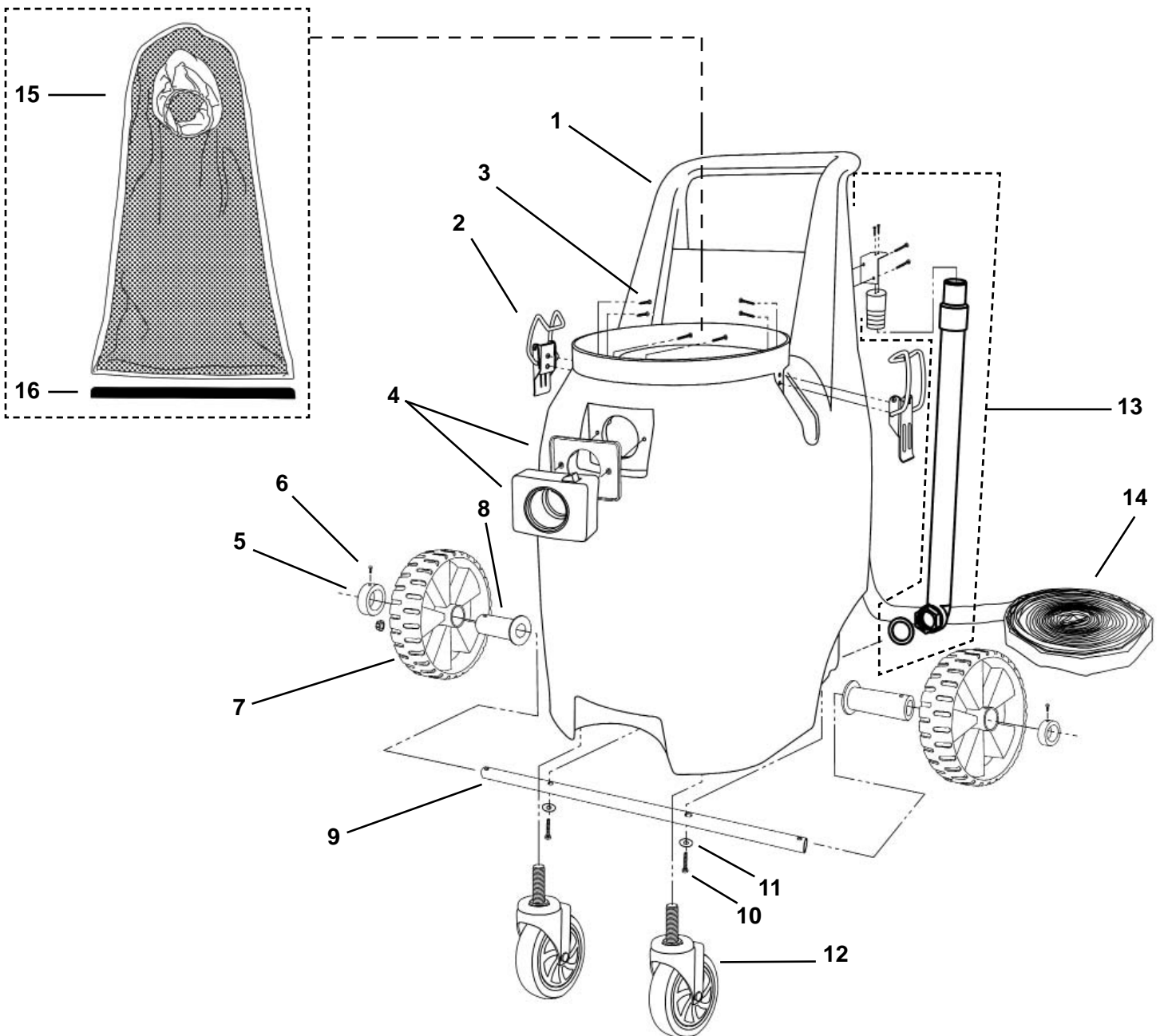
Motorhead Assembly

Ref.	Part No.	Description	Qty
1	B160644	Top Handle	1
2	B701881	Switch	2
4	B160646	Screw 4.8 x 15mm	8
5	B160647	Dome	1
6	B160648	Terminal Strip	1
7	B701892	Screw 2.9 x 19mm	3
8	B701893	Cord Restraint	1
9	B160649	Rubber Strain Relief	1
10	B701894	Cord Set	1
11	B702390	Screw 4.8 x 19mm	6
12	B160650	Blower Chamber	1
13	B701897	Motor Cooling Gasket	1
14	B701896	Top Motor Adaptor	1
15	B701898	Motor Housing Gasket	2
16	B527297	Motor 120 volt	1
17	B701883	Foam	1
18	B701900	Can Cap	1
19	B701901	Gasket Can Cap	1
20	B100442	Screw	4
21	B100443	Lock Nut	4
22	B100444	Pump Outlet	1



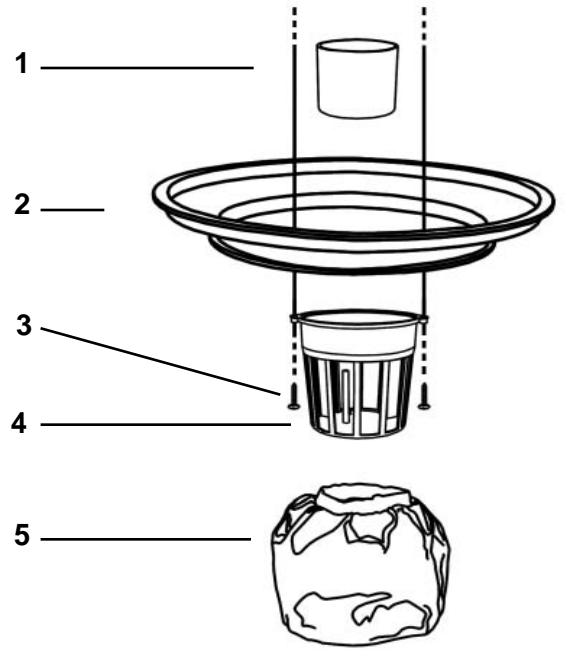
TANK ASSEMBLY

Ref.	Part No.	Description	Qty	Ref.	Part No.	Description	Qty
1	B100451	20 Gallon POV Tank	1	9	B260904	Axle	1
2	B100464	Clamp	2	10	B260905	Axle Mounting Screw	2
3	B703715	Stainless Steel Screw	4	11	B260906	Washer	2
4	B701889	Hose Inlet w/Gasket	1	12	B260880	Caster Complete	2
5	B260900	Wheel Retainer	2	13	B260879	Drain Hose Assembly	1
6	B260901	Wheel Retainer Screw	2	14	B100452	Pump Out Hose	1
7	B260881	Wheel	2	15	B100448	Mesh Filter Bag	1
8	B260903	Wheel Bearing	2	16	B100449	Bag Clip	1



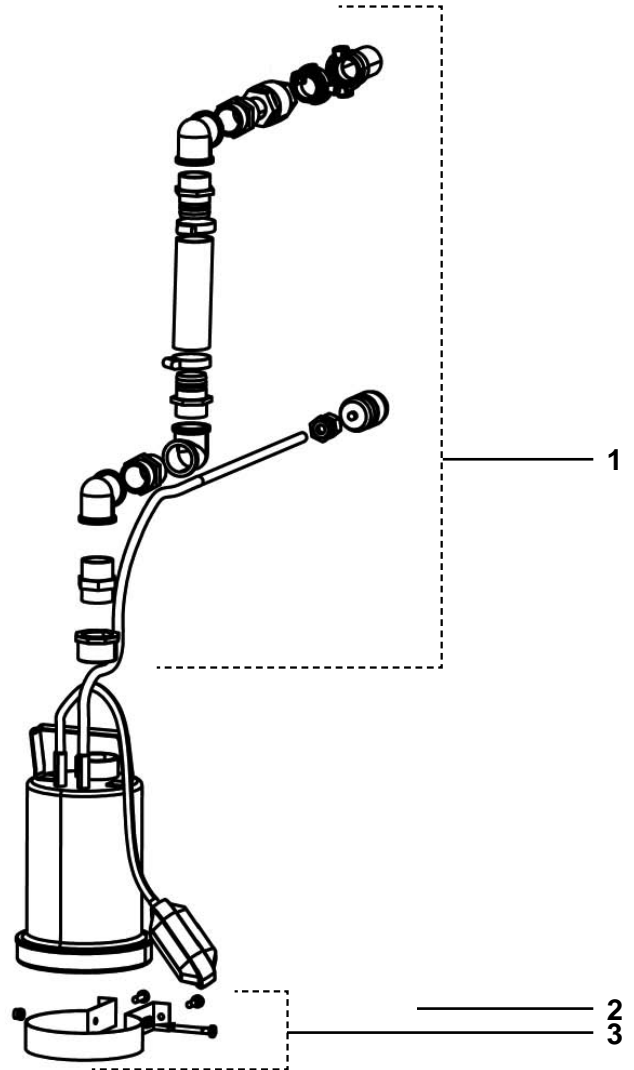
Filter Assembly

Ref.	Part No.	Description	Qty
1	B703054	Float	1
2	B701885	Filter Ring	1
3	B160646	Screw 4.8 x 15mm	2
4	B701903	Float Cage	1
5	B703966	Mesh Secondary Bag	1



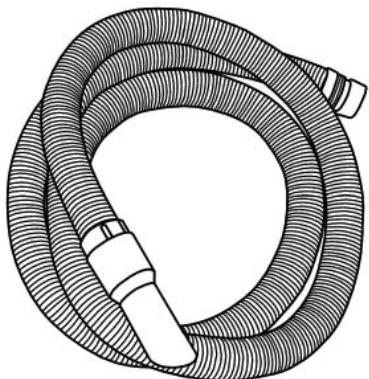
Pump Assembly

Ref.	Part No.	Description	Qty
1	B100445	Pump Plumbing Package	1
2	B100446	Pump 120V/500W	1
3	B100447	Pump Clamp Ring Assembly	1



Accessories

Part No.	Description	Qty
B100453	20' Crushproof Hose w/ends	1



NOTES:

PULLMAN-HOLT

10702 N. 46th Street • Tampa, FL 33617
(813) 971-2223 • Fax (813) 971-6090
www.pullman-holt.com