

1932R

ELECTRIC SCISSOR LIFT



Performance

Platform Height–Elevated	19 ft	5.8 m
Platform Capacity	550 lb	250 kg
Capacity on Platform Extension	250 lb	113 kg
Lift/Lower Time	25/26 seconds	
Maximum Drive Height	Fully Elevated	
Weight*	2,700 lb	1,225 kg
Ground Bearing Pressure	101 psi	766 kg/cm ²
Drive Speed–Elevated	0.5 mph	0.8 km/h
Drive Speed–Lowered	2 mph	3.2 km/h
Gradeability	25%	
Turning Radius (Inside)	Zero	Zero
Turning Radius (Outside)	66 in.	1.68 m

* Certain options or country standards will increase weight.

Standard Specifications

Power Source

Batteries	4 x 6V 220 amp-hr
Charger	20 amp (Universal Algorithm)
Drive	Hydraulic Front-wheel

Hydraulic Reservoir

• Capacity	4.5 gal.	17 L
• Pump	Fixed Displacement Gear	

Tires

• Tire Size/Type (Non-Marking)	12.7 x 1.37 in.	323 x 35 mm
--------------------------------	-----------------	-------------

Brakes

- Multi-Disc Friction

Standard Features

- Proportional Controls
- Battery Condition Indicator
- 110V-AC Receptacle in Platform
- All Motion Alarm
- 20 Amp Automatic SCR Charger
- Horn
- Hourmeter
- Tilt Alarm and Light
- Lanyard Attach Points
- Moveable, Removable Platform Control
- Nickel Plated Pins
- Lubrication Free Scissor Arm Bushings
- Scissor Maintenance Prop
- Active Pothole Protection System
- Lifting and Tie Down Points
- Fork Lift Pockets
- 34 in. (86 cm) Foot-Actuated Deck Extension
- Steel Swing-Out Doors
- Variable Tilt Window
- Manual Descent Cable
- Diamond Tread Steel Deck
- Greaseless Kingpin Joints
- Analyzer Port for Diagnostics
- Dynamic Braking
- Removable Ladder



Accessories & Options

- Flashing Amber Beacon
- 220 Amp-Hour AGM Batteries
- MDI (Ground)
- Self-Closing Gate
- Anti-Vandalism Package for Ground Controls and Platform Controls
- Eagle Performance Charger
- 1,000W-AC Inverter
- Ambient Noise Alarm

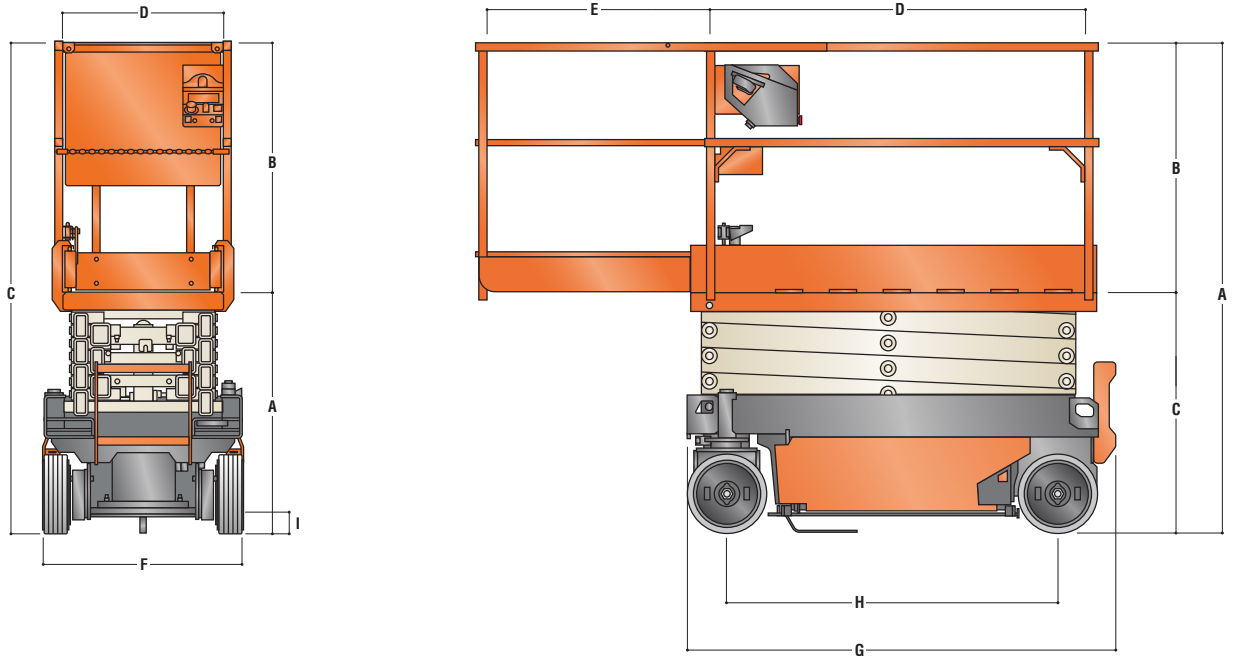
1932R

ELECTRIC SCISSOR LIFT



Dimensions

All dimensions are approximate.



A. Platform Height—Lowered	38.6 in.	0.981 m
B. Platform Railing Height	39.9 in.	1.014 m
C. Overall Height	78.5 in.	1.99 m
D. Platform Size	25.4 in. x 62.7 in.	0.64 m x 1.59 m
E. Platform Extension	34 in.	0.862 m

F. Overall Width	32 in.	81 cm
G. Overall Length	68.7 in.	1.74 m
H. Wheelbase	53 in.	1.34 m
I. Ground Clearance	2.8 in.	7 cm

The JLG "1 & 5" Warranty

JLG Industries, Inc. backs its products with its exclusive "1 & 5" Warranty. We provide coverage on all products for one (1) full year, and cover all specified major structural components for five (5) years. Due to continuous product improvements, we reserve the right to make specification and/or equipment changes without prior notification. This machine meets or exceeds applicable OSHA Regulations in 29 CFR 1910.67, 29 CFR 1926.453, ANSI A92.6, and CSA Standard CAN3-B354.2-M82, as originally manufactured for intended applications.

Part No.: 3131505
Printed in USA



JLG Industries, Inc.
1 JLG Drive
McConnellsburg, PA 17233-9533
Telephone 717-485-5161
Toll-free in US 877-JLG-LIFT
Fax 717-485-6417
www.jlg.com

An Oshkosh Corporation Company