



Click Here To View  
Item at

[www.GapPower.com](http://www.GapPower.com)

*Sales • Rentals  
Parts & Service*

# **Tanaka** Illustrated Parts Manual

Model Number:

**TLE-600**

**WALK BEHIND EDGER**

P/N 40163

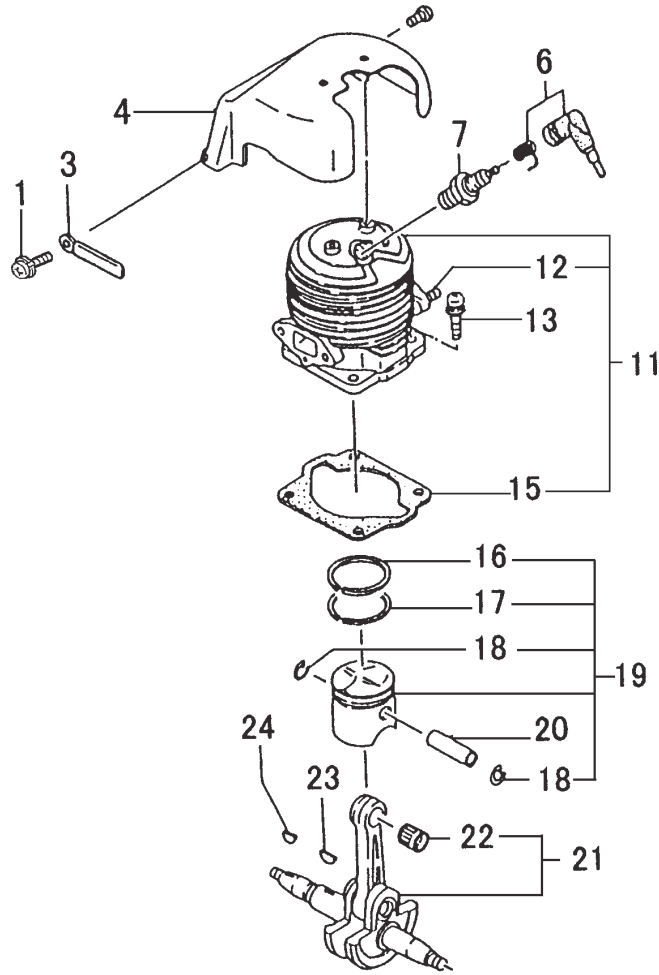
Rev 000

Date 5-15-07



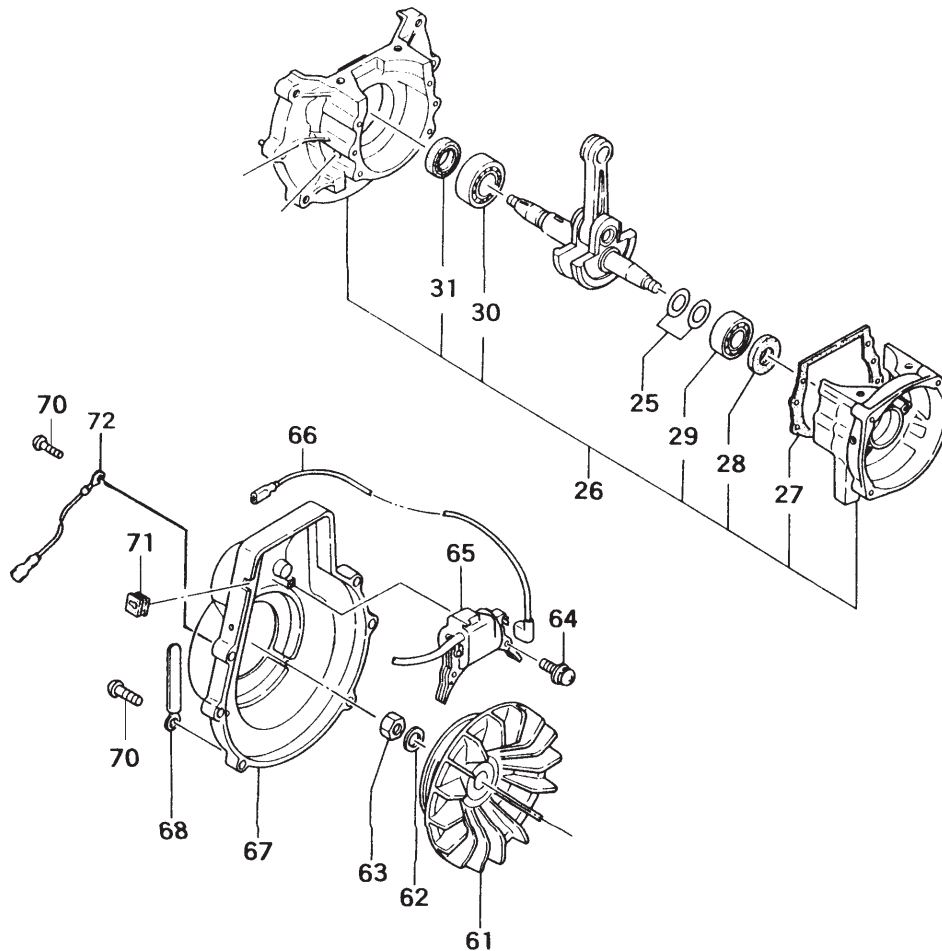
Nikko Tanaka Engineering U.S.A.,Ltd. • 1028 4<sup>th</sup> Street SW, Bldg B • Auburn, WA 98001 • Phone: (253) 333-1200 • Fax: (253) 333-1212

### CYLINDER, PISTON & CRANKSHAFT • FIGURE 1

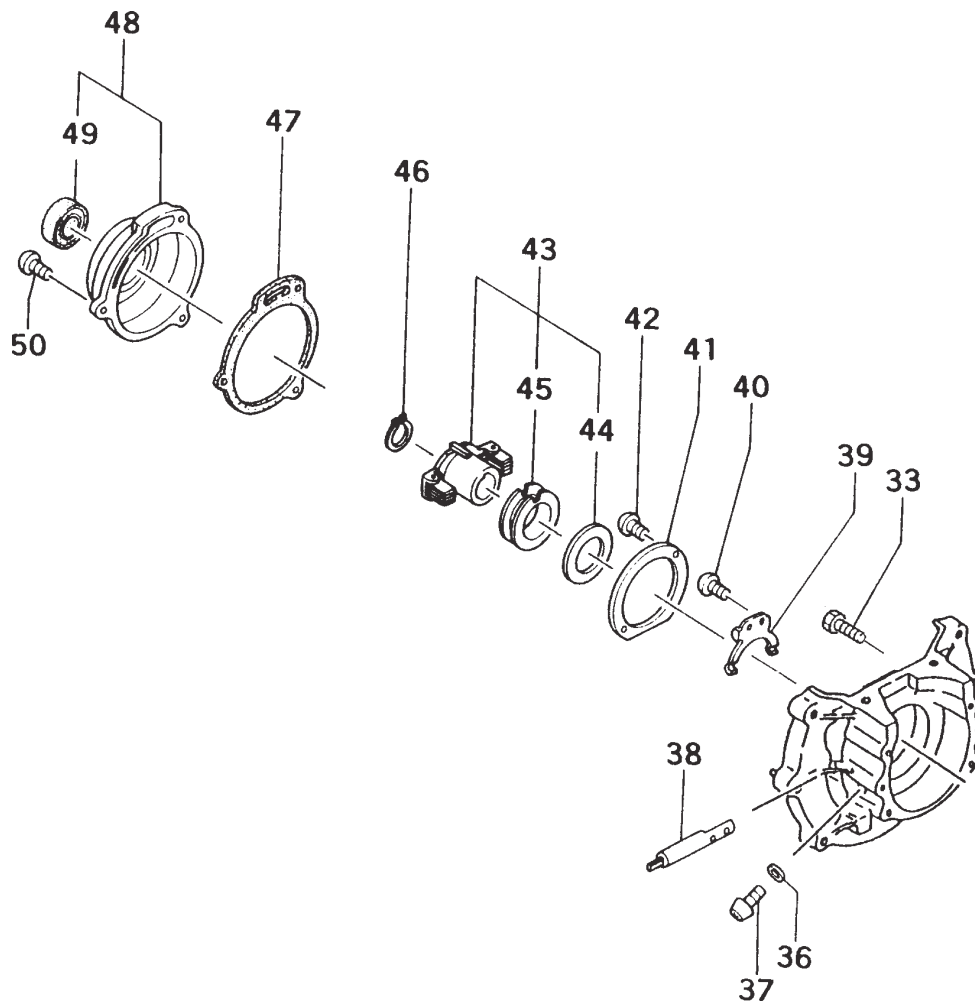


| ITEM | PART NUMBER | DESCRIPTION             | QTY | COMMENTS                    |
|------|-------------|-------------------------|-----|-----------------------------|
| 1-1  | 99413050121 | SCREW 5x12/P            | 3   |                             |
| 1-3  | 19805015800 | CLAMP,CORD              | 1   |                             |
| 1-4  | 01610244200 | COVER,CYLINDER          | 1   |                             |
| 1-6  | 15701570900 | CAP,SPARK PLUG,ASSEMBLY | 1   |                             |
| 1-7  | 01802233200 | PLUG,SPARK              | 1   |                             |
| 1-11 | 0011026690  | CYLINDER SET            | 1   | Includes gasket             |
| 1-12 | 1000422U22  | STUD,6x30               | 2   |                             |
| 1-13 | 99461060184 | BOLT,HEX,6x18S          | 4   |                             |
| 1-15 | 0171026621  | GASKET,CYLINDER         | 1   |                             |
| 1-16 | 04010100200 | RING,PISTON,TOP         | 1   |                             |
| 1-17 | 04110100201 | RING,PISTON             | 1   |                             |
| 1-18 | 03902000201 | CIRCLIP,PISTON PIN      | 2   |                             |
| 1-19 | 0301026690  | PISTON SET              | 1   | Includes rings and circlips |
| 1-20 | 03710100200 | PIN,PISTON,10X35        | 1   |                             |
| 1-21 | 0461024380  | CRANKSHAFT              | 1   |                             |
| 1-22 | 99962101004 | BEARING,NEEDLE,F1010B   | 1   |                             |
| 1-23 | 06810100200 | KEY,WOODRUFF,3X13X4.5   | 1   |                             |
| 1-24 | 06802000200 | KEY,WOODRUFF,3X13X5     | 1   |                             |

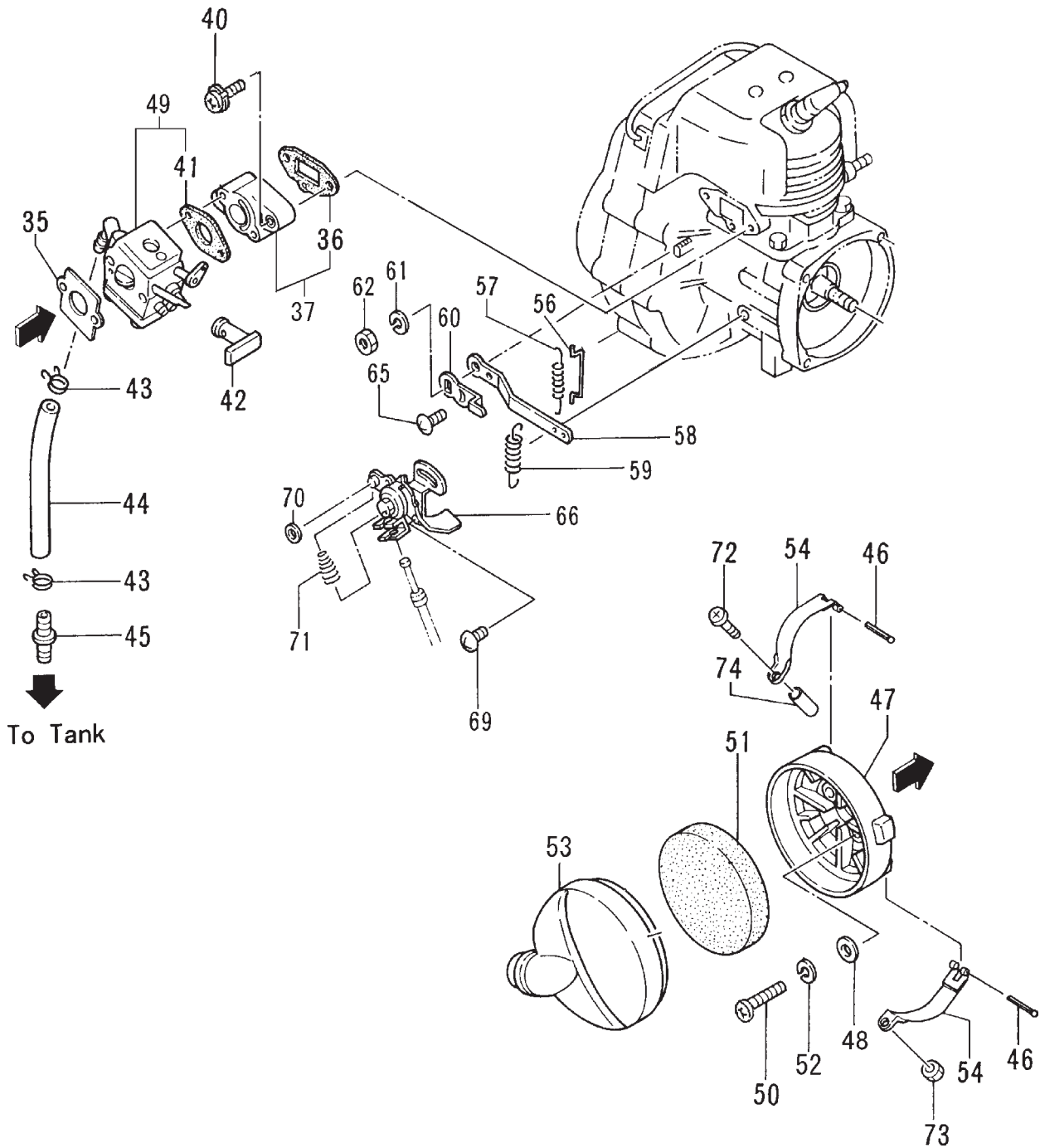
### CRANKCASE, FLYWHEEL & IGNITION • FIGURE 2



| ITEM | PART NUMBER | DESCRIPTION            | QTY | COMMENTS                            |
|------|-------------|------------------------|-----|-------------------------------------|
| 2-25 | 07102007210 | SHIM,15.2X20X.10       | 1   |                                     |
| 2-25 | 07102007220 | SHIM,15.2X20X.15       | 1   |                                     |
| 2-25 | 07111600230 | SHIM,16X21X.20         | 1   |                                     |
| 2-25 | 07111600240 | SHIM,16X21X.30         | 1   |                                     |
| 2-26 | 0721026690  | CRANKCASE ASSY         | 1   | Includes bearings, seals and gasket |
| 2-27 | 0901020021  | GASKET,CRANKCASE       | 1   |                                     |
| 2-28 | 99966153000 | SEAL,OIL,#15307        | 1   |                                     |
| 2-29 | 99961620200 | BEARING,BALL,#6202     | 1   |                                     |
| 2-30 | 99961620300 | BEARING,BALL,#6203     | 1   |                                     |
| 2-31 | 99966173066 | OIL SEAL,UE17307       | 1   |                                     |
| 2-61 | 15521714801 | ROTOR,MAGNETO          | 1   |                                     |
| 2-62 | 99201100011 | WASHER,10              | 1   |                                     |
| 2-63 | 99109100001 | NUT,10 L.H.            | 1   |                                     |
| 2-64 | 99416040226 | SCREW,WS,4X22          | 2   |                                     |
| 2-65 | 16721954800 | COIL,IGNITION          | 1   |                                     |
| 2-66 | 1780136M800 | CORD,STOP              | 1   |                                     |
| 2-67 | 11210246200 | CASE,FAN               | 1   |                                     |
| 2-68 | 19810246800 | CLAMP,CORD             | 1   |                                     |
| 2-70 | 99414060301 | SCREW,6X30/S           | 4   |                                     |
| 2-71 | 20210200201 | GROMMET,SECONDARY CORD | 1   |                                     |
| 2-72 | 27404037800 | CORD,EARTH             | 1   |                                     |

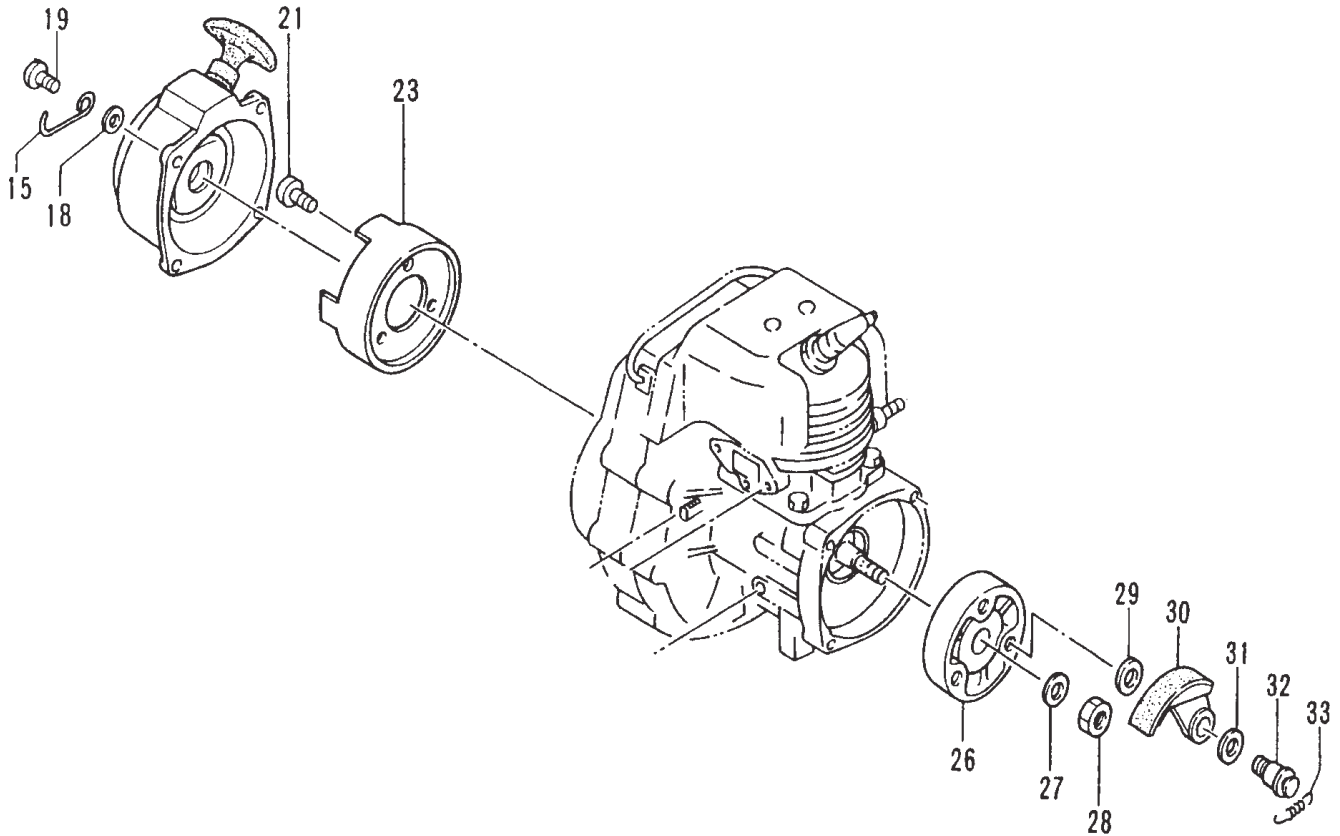


| ITEM | PART NUMBER | DESCRIPTION           | QTY | COMMENTS |
|------|-------------|-----------------------|-----|----------|
| 3-33 | 99461060304 | BOLT,HEX,6x30/S       | 4   |          |
| 3-36 | 72701040201 | GASKET,DRAIN          | 1   |          |
| 3-37 | 99011060102 | SCREW,6X10            | 1   |          |
| 3-38 | 36910250203 | SHAFT,GOVERNOR        | 1   |          |
| 3-39 | 36710250210 | FORK,GOVERNOR SHAFT   | 1   |          |
| 3-40 | 99011030061 | SCREW,3X6             | 2   |          |
| 3-41 | 32910250201 | PARTITION,OIL         | 1   |          |
| 3-42 | 99011040081 | SCREW,4X8             | 2   |          |
| 3-43 | 1141025000  | GOVERNOR ASSY         | 1   |          |
| 3-44 | 38810250210 | PLATE,GOVERNOR        | 1   |          |
| 3-45 | 38910250210 | SLEEVE,GOVERNOR       | 1   |          |
| 3-46 | 99350015002 | RING,STOP,C-15 EX     | 1   |          |
| 3-47 | 38510250202 | GASKET,GOVERNOR COVER | 1   |          |
| 3-48 | 38410243900 | COVER,GOVERNOR ASS'Y  | 1   |          |
| 3-49 | 99966152564 | SEAL,OIL,UD15257      | 1   |          |
| 3-50 | 99011040101 | SCREW,4X10            | 3   |          |



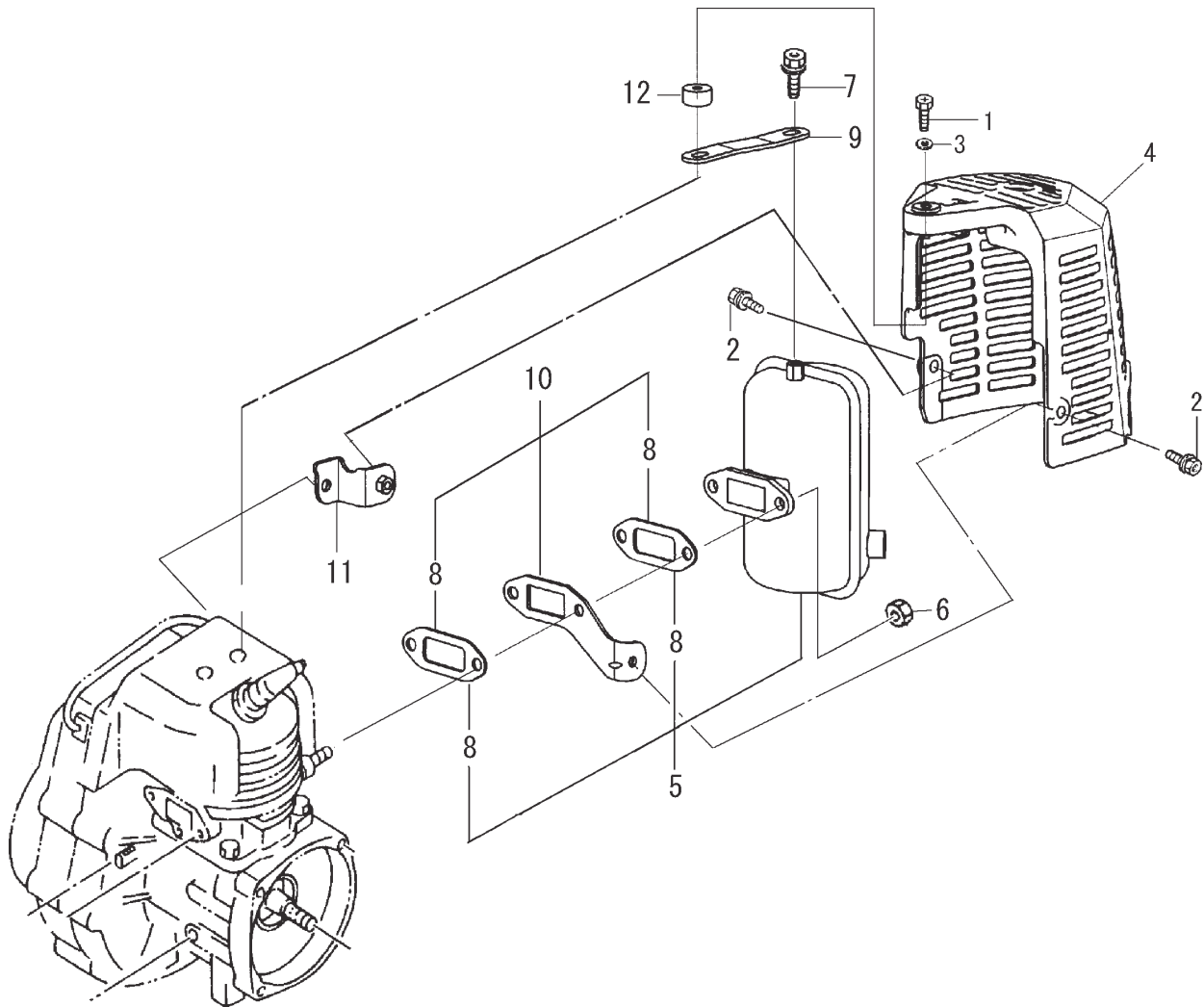
### CARBURETOR, THROTTLE LINKAGE & AIR CLEANER • FIGURE 4

| ITEM | PART NUMBER | DESCRIPTION            | QTY | COMMENTS        |
|------|-------------|------------------------|-----|-----------------|
| 4-35 | 43105015201 | GASKET,CLEANER         | 1   |                 |
| 4-36 | 40310244201 | GASKET,INTAKE MANIFOLD | 1   |                 |
| 4-37 | 4041026290  | INSULATOR SET          | 1   | Includes gasket |
| 4-40 | 99464050254 | BOLT,HEX HOLE,5X25WS   | 2   |                 |
| 4-41 | 4020174020  | GASKET,CARBURETOR      | 1   |                 |
| 4-42 | 49504200200 | LEVER,CHOKE            | 1   |                 |
| 4-43 | 68000206200 | CLIP,5.5               | 2   |                 |
| 4-44 | 70053005195 | PIPE,FUEL,3X5X195      | 1   |                 |
| 4-45 | 49732350200 | JOINT,PIPE             | 1   |                 |
| 4-46 | 99324025161 | PIN,SPRING,2.5X16      | 2   |                 |
| 4-47 | 42310246201 | BODY,CLEANER           | 1   |                 |
| 4-48 | 99200050011 | WASHER,SMALL,5         | 2   | Includes gasket |
| 4-49 | 4551026690  | CARBURETOR SET         | 1   |                 |
| 4-50 | 99011050651 | SCREW,5X65             | 2   |                 |
| 4-51 | 44402401201 | ELEMENT,CLEANER A      | 1   |                 |
| 4-52 | 99210050012 | WASHER,S,5             | 2   |                 |
| 4-53 | 42410246200 | CAP,CLEANER            | 1   |                 |
| 4-54 | 43910246200 | BAND,CLEANER           | 2   |                 |
| 4-56 | 49010244200 | ROD,THROTTLE           | 1   |                 |
| 4-57 | 37612121200 | SPRING,GOVERNOR ROD    | 1   |                 |
| 4-58 | 37710244200 | LEVER,GOVERNOR OUTER   | 1   |                 |
| 4-59 | 37410244200 | SPRING,GOVERNOR        | 1   |                 |
| 4-60 | 37210250201 | LEVER,GOVERNOR SPRING  | 1   |                 |
| 4-61 | 99210060012 | WASHER,S,6             | 1   |                 |
| 4-62 | 99101060013 | NUT,6                  | 1   |                 |
| 4-65 | 99415040081 | SCREW,4X8              | 1   |                 |
| 4-66 | 83010250903 | LEVER,CONTROL,ASS'Y    | 1   |                 |
| 4-69 | 99416050101 | SCREW,WS,5X10          | 2   |                 |
| 4-70 | 70017512003 | RETAINER               | 1   |                 |
| 4-71 | 90210243200 | SPRING,WIRE,RETURN     | 1   |                 |
| 4-72 | 99011050351 | SCREW,5X35             | 1   |                 |
| 4-73 | 99101050011 | NUT,5                  | 1   |                 |
| 4-74 | 47010246200 | COLLAR                 | 1   |                 |

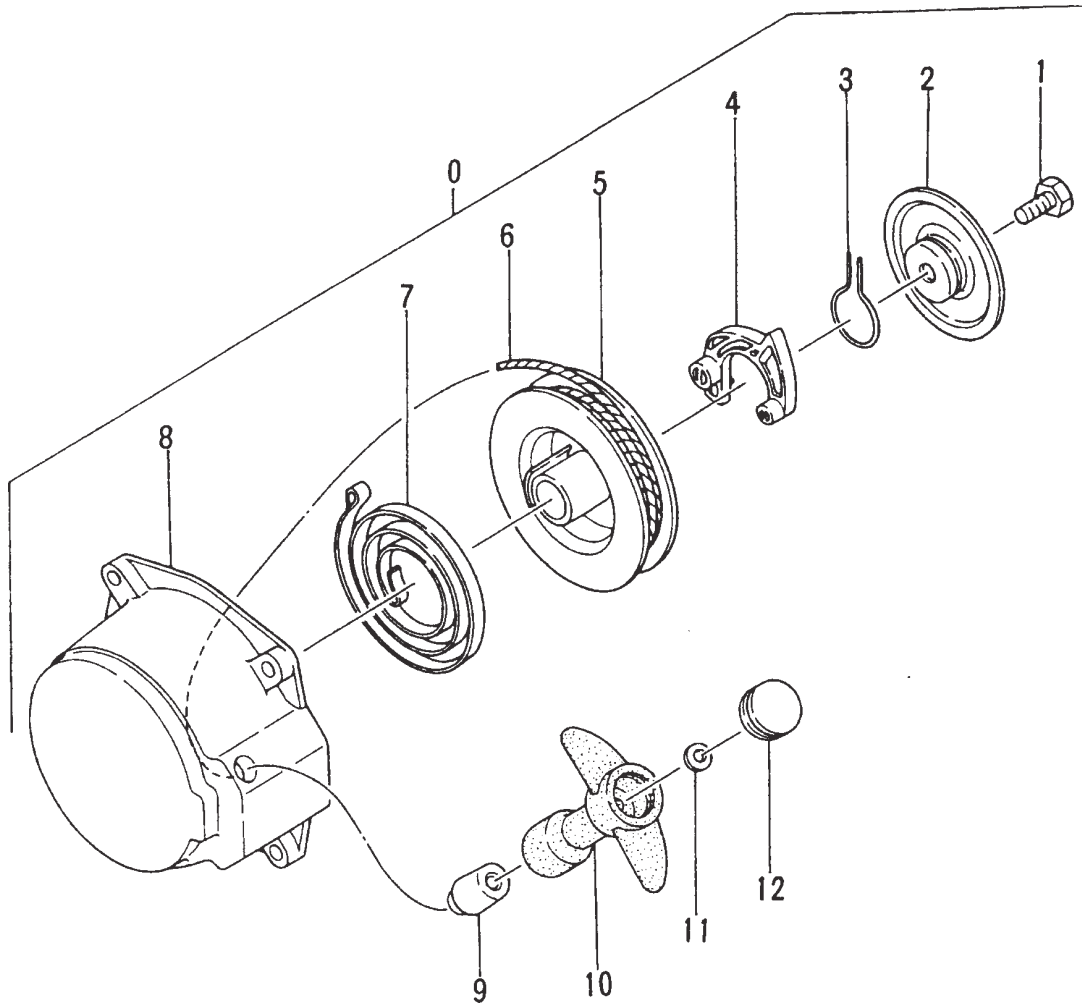


| ITEM | PART NUMBER | DESCRIPTION      | QTY | COMMENTS |
|------|-------------|------------------|-----|----------|
| 5-15 | 46133111200 | CLAMP            | 1   |          |
| 5-18 | 99201050011 | WASHER,5         | 1   |          |
| 5-19 | 99415050201 | SCREW,5x20       | 4   |          |
| 5-21 | 99414060201 | SCREW,6x20       | 3   |          |
| 5-23 | 79810246200 | PULLEY,STARTER   | 1   |          |
| 5-26 | 34710243200 | FLANGE,CLUTCH    | 1   |          |
| 5-27 | 99201100011 | WASHER,10        | 1   |          |
| 5-28 | 99115100001 | NUT,LH,10        | 1   |          |
| 5-29 | 35910112203 | WASHER,CLUTCH B  | 3   |          |
| 5-30 | 29010112802 | ARM,CLUTCH       | 3   |          |
| 5-31 | 35810112201 | WASHER,CLUTCH    | 3   |          |
| 5-32 | 35710112204 | BOLT,CLUTCH STEP | 3   |          |
| 5-33 | 34210205220 | SPRING,CLUTCH    | 3   |          |

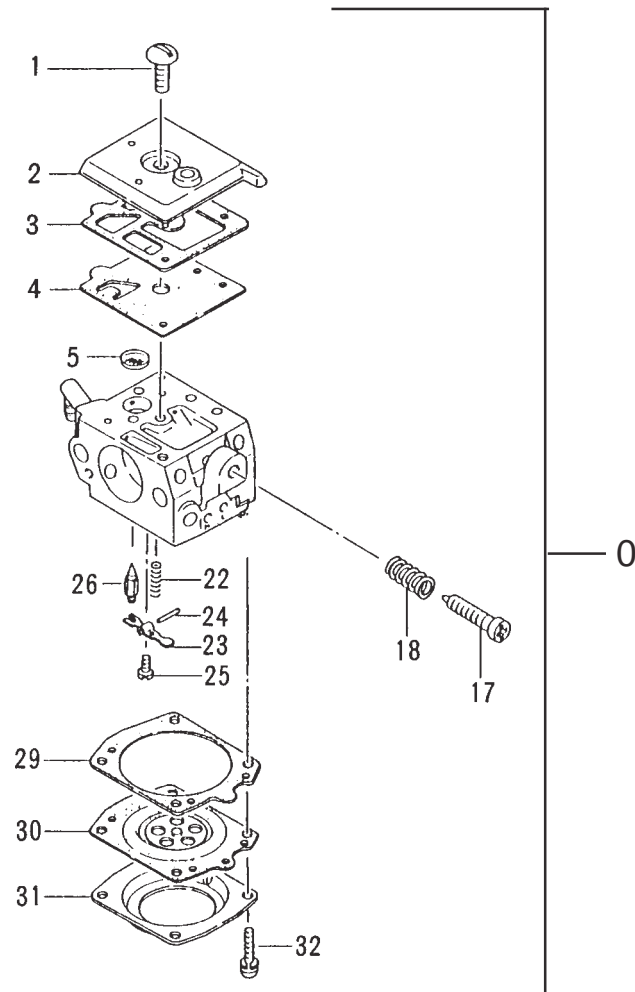




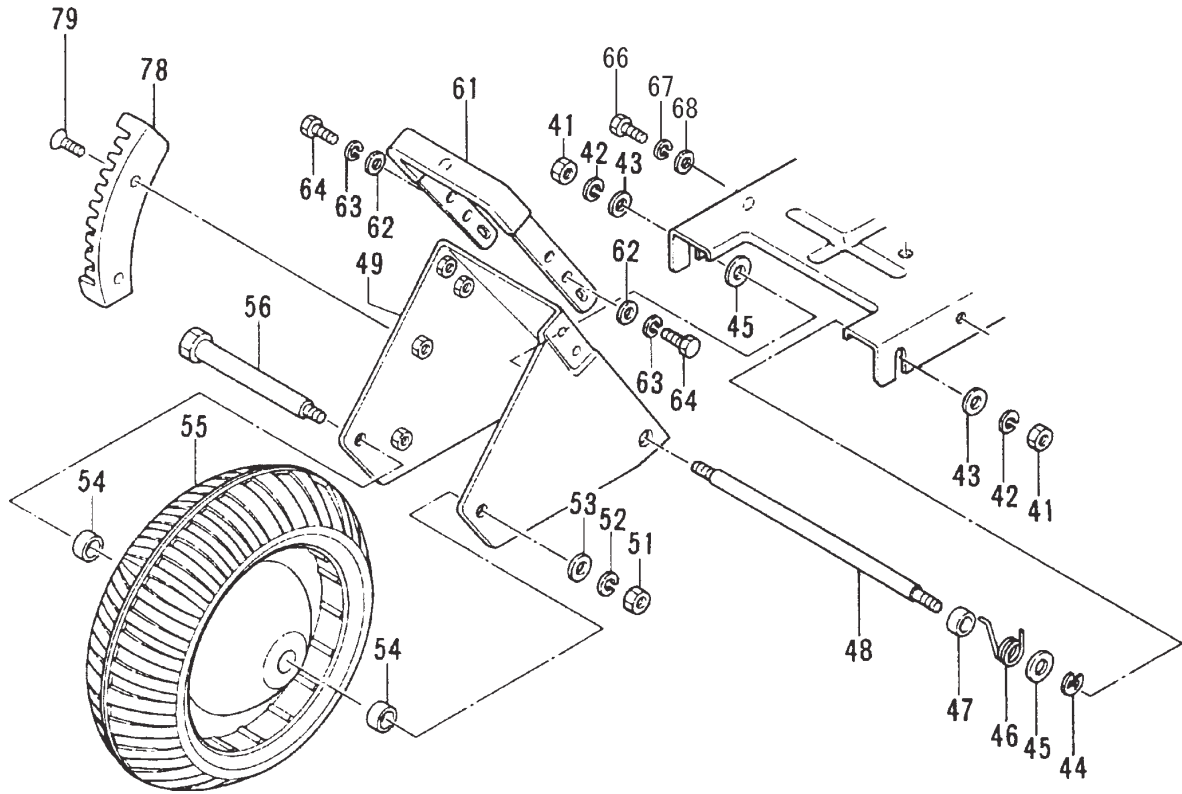
| ITEM | PART NUMBER | DESCRIPTION         | QTY | COMMENTS                          |
|------|-------------|---------------------|-----|-----------------------------------|
| 6-1  | 99461050304 | BOLT,HEX,5X30S      | 1   |                                   |
| 6-2  | 99463050164 | BOLT,HEX,5X16,PS    | 2   |                                   |
| 6-3  | 99201050011 | WASHER,5            | 1   |                                   |
| 6-4  | 7381026620  | PROTECTOR,MUFFLER   | 1   |                                   |
| 6-5  | 7041026690  | MUFFLER SET         | 1   | Includes #10 bracket & #8 gaskets |
| 6-6  | 99440060011 | NUT,SPRING 6        | 2   |                                   |
| 6-7  | 99460050104 | BOLT,HEX 5x10W      | 1   |                                   |
| 6-8  | 7371024220  | GASKET,MUFFLER      | 2   |                                   |
| 6-9  | 73310205210 | STAY,MUFFLER        | 1   |                                   |
| 6-10 | 7291026690  | BRACKET,MUFFLER SET | 1   | Includes #8 gaskets               |
| 6-11 | 7601026680  | BRACKET,MUFFLER B   | 1   |                                   |
| 6-12 | 6490725020  | COLLAR,TANK         | 1   |                                   |



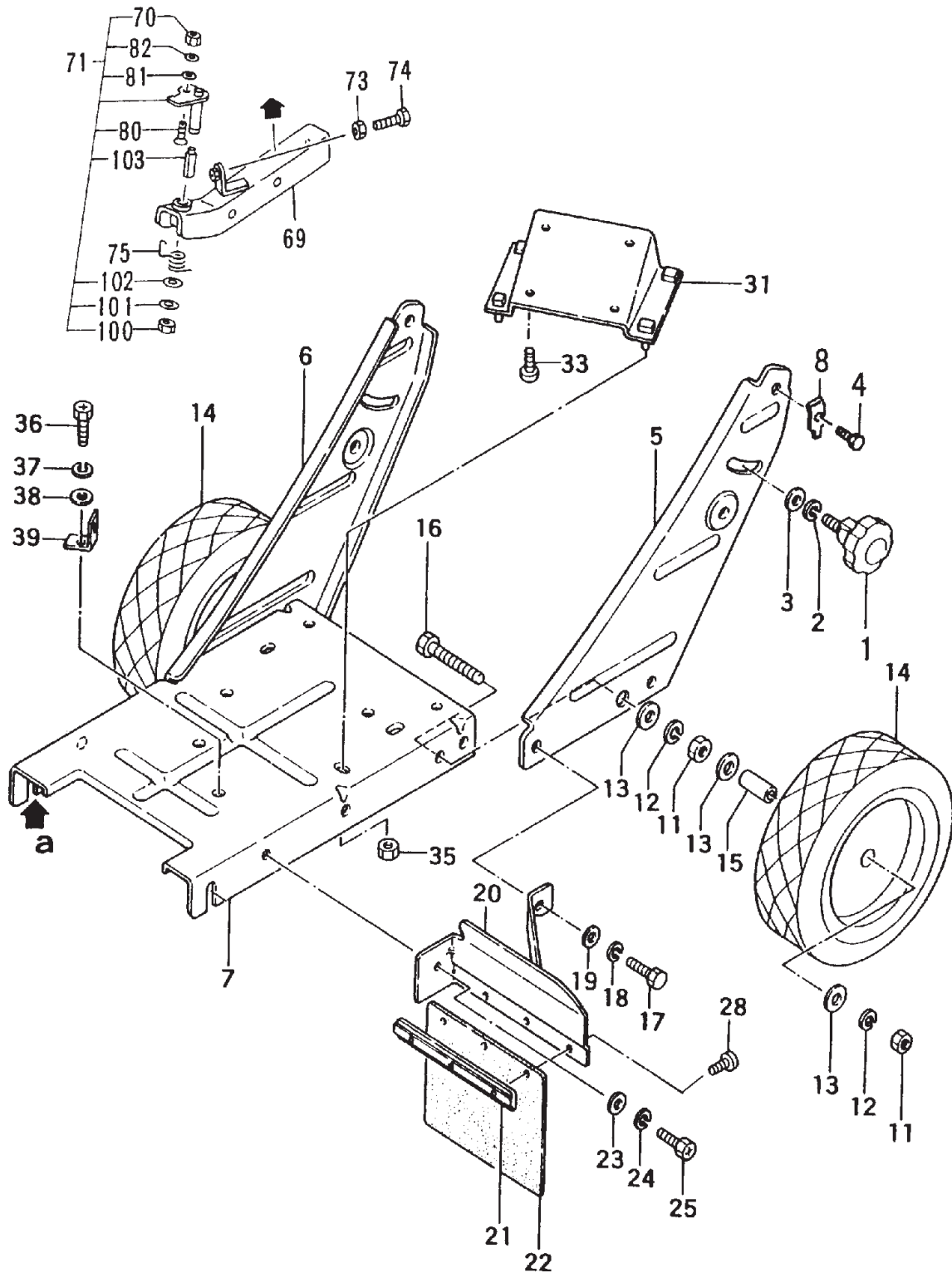
| ITEM | PART NUMBER | DESCRIPTION          | QTY | COMMENTS |
|------|-------------|----------------------|-----|----------|
| 7-0  | 76210246900 | STARTER,RECOIL ASS'Y | 1   |          |
| 7-1  | 99021060121 | BOLT,6X12            | 1   |          |
| 7-2  | 83710205200 | PLATE,FRICION        | 1   |          |
| 7-3  | 8361020520  | SPRING,FRICION       | 1   |          |
| 7-4  | 78810243200 | PAWL,STARTER         | 1   |          |
| 7-5  | 77410246800 | PULLEY,STARTER       | 1   |          |
| 7-6  | 78310205200 | ROPE,STARTER         | 1   |          |
| 7-7  | 77910205200 | SPRING,RECOIL        | 1   |          |
| 7-8  | 77210246200 | BODY,RECOIL STARTER  | 1   |          |
| 7-9  | 78010108200 | GUIDE,ROPE           | 1   |          |
| 7-10 | 78510118200 | HANDLE,STARTER       | 1   |          |
| 7-11 | 79510243200 | STOPPER,ROPE         | 1   |          |
| 7-12 | 83510246200 | CAP,STARTER HANDLE   | 1   |          |



| ITEM | PART NUMBER | DESCRIPTION           | QTY | COMMENTS                             |
|------|-------------|-----------------------|-----|--------------------------------------|
| 8-0  | 4551026690  | CARBURETOR SET        | 1   | Includes gasket                      |
| 8-1  | 51425001200 | SCREW, SET            | 1   |                                      |
| 8-2  | 57525012200 | BODY, PUMP            | 1   |                                      |
| 8-3  | ~ ~ ~       | GASKET, PUMP          | 1   | ~ Included in 650.25012.910 Carb Kit |
| 8-4  | ~ ~ ~       | DIAPHRAGM, PUMP       | 1   | (not available individually)         |
| 8-5  | 57825007200 | SCREEN, INLET         | 1   |                                      |
| 8-17 | 46225006200 | SCREW, IDLE ADJUST    | 1   |                                      |
| 8-18 | 46325012200 | SPRING, IDLE ADJUST   | 1   |                                      |
| 8-22 | 4772508820  | VALVE, SPRING         | 1   |                                      |
| 8-23 | 47325012200 | LEVER, CONTROL        | 1   |                                      |
| 8-24 | 60525001200 | PIN, HINGE            | 1   |                                      |
| 8-25 | 54625001200 | SCREW, SET, HINGE PIN | 1   |                                      |
| 8-26 | 6032501220  | NEEDLE VALVE          | 1   |                                      |
| 8-29 | ~ ~ ~       | GASKET, DIAPHRAGM     | 1   |                                      |
| 8-30 | ~ ~ ~       | DIAPHRAGM, METERING   | 1   |                                      |
| 8-31 | 47625012201 | COVER, DIAPHRAGM      | 1   |                                      |
| 8-32 | 54825012200 | SCREW, SET            | 4   |                                      |



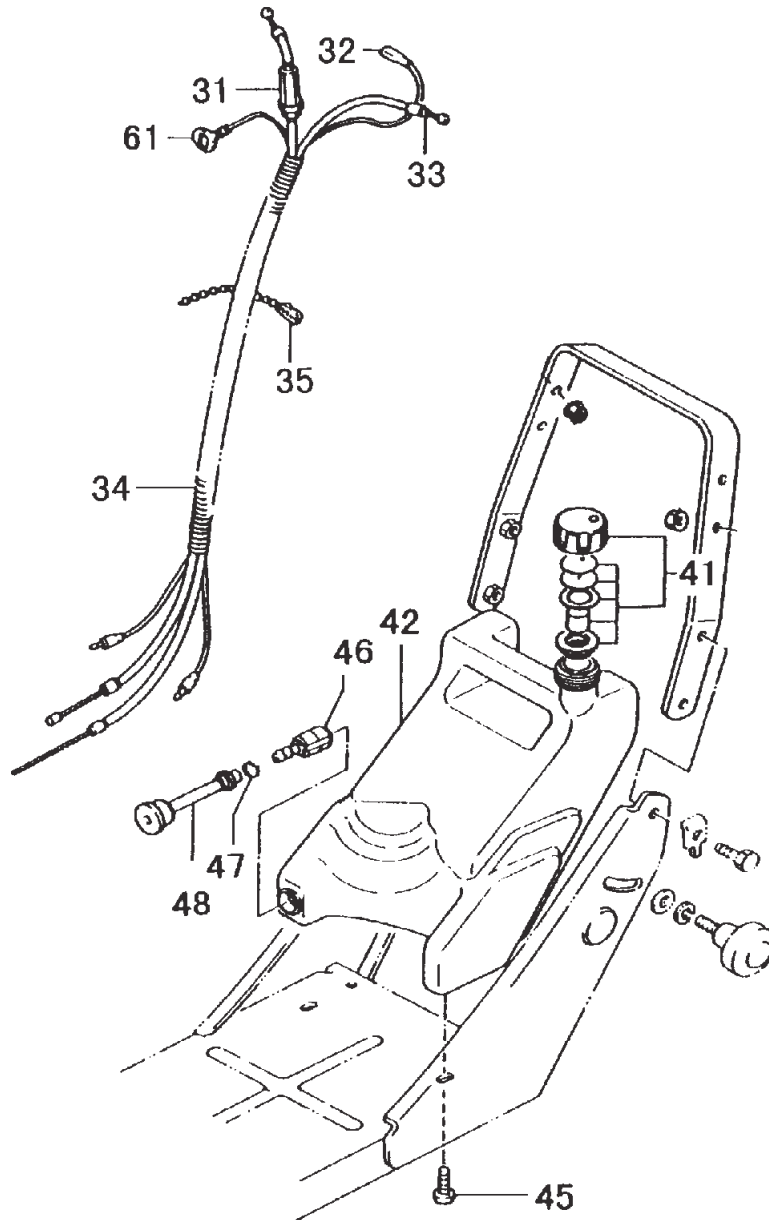
| ITEM | PART NUMBER | DESCRIPTION         | QTY | COMMENTS |
|------|-------------|---------------------|-----|----------|
| 9-41 | 99101080011 | NUT,8               | 2   |          |
| 9-42 | 99210080012 | WASHER,S,8          | 2   |          |
| 9-43 | 99201080011 | WASHER,8            | 2   |          |
| 9-44 | 99355100001 | RING,STOP,10        | 1   |          |
| 9-45 | 48333111200 | WASHER              | 2   |          |
| 9-46 | 19633111200 | SPRING,FENDER,FRONT | 1   |          |
| 9-47 | 32133111200 | SPACER,B            | 1   |          |
| 9-48 | 29233111200 | SHAFT,CENTER        | 1   |          |
| 9-49 | 19533111801 | FENDER,FRONT        | 1   |          |
| 9-51 | 99101080011 | NUT,8               | 1   |          |
| 9-52 | 99210080012 | WASHER,S,8          | 1   |          |
| 9-53 | 99201080011 | WASHER,8            | 1   |          |
| 9-54 | 32033111200 | SPACER              | 2   |          |
| 9-55 | 43033111800 | WHEEL,FRONT,8"      | 1   |          |
| 9-56 | 29033111200 | SHAFT,FRONT         | 1   |          |
| 9-61 | 19733111200 | HANDLE,CARRYING     | 1   |          |
| 9-62 | 99201060011 | WASHER,6            | 4   |          |
| 9-63 | 99210060012 | WASHER,S,6          | 4   |          |
| 9-64 | 99021060201 | BOLT,6X20           | 4   |          |
| 9-66 | 99021080201 | BOLT,8X20           | 1   |          |
| 9-67 | 99210080012 | WASHER,S,8          | 1   |          |
| 9-68 | 99201080011 | WASHER,8            | 1   |          |
| 9-78 | 47533111200 | PLATE,ADJUST        | 1   |          |
| 9-79 | 99012080121 | SCREW,8X12 F.H.     | 2   |          |



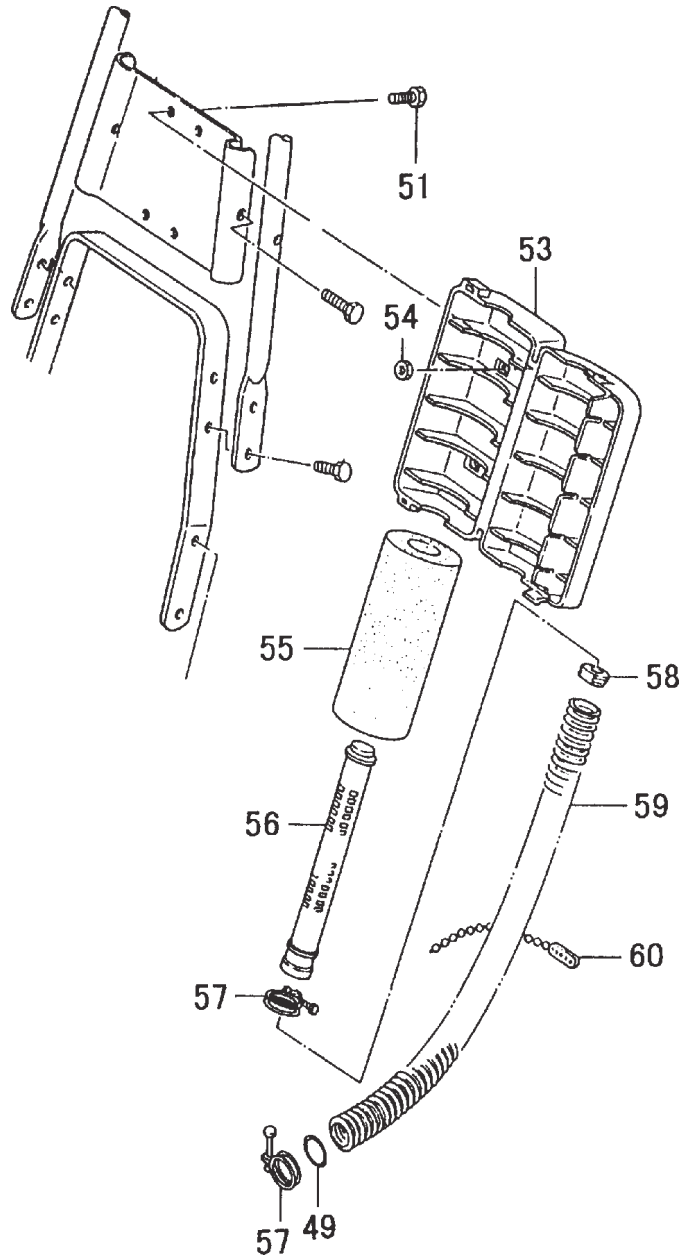
### ENGINE BED & REAR WHEELS • FIGURE 10

| ITEM   | PART NUMBER | DESCRIPTION         | QTY | COMMENTS |
|--------|-------------|---------------------|-----|----------|
| 10-1   | 21033110800 | HANDLE,LOCK         | 2   |          |
| 10-2   | 99210080012 | WASHER,S,8          | 2   |          |
| 10-3   | 99201080011 | WASHER,8            | 2   |          |
| 10-4   | 99021080201 | BOLT,8X20           | 2   |          |
| 10-5   | 16733110210 | HOLDER,HANDLE A     | 1   |          |
| 10-6   | 16833110210 | HANDLE,HOLDER B     | 1   |          |
| 10-7   | 0023311180  | BASE,ENGINE         | 1   |          |
| 10-8   | 16933111200 | WASHER,LOCK TAB     | 2   |          |
| 10-11  | 99101100011 | NUT,10              | 4   |          |
| 10-12  | 99210100012 | WASHER,S,10         | 4   |          |
| 10-13  | 99201100011 | WASHER,10           | 6   |          |
| 10-14  | 43133110801 | WHEEL,REAR,8"       | 2   |          |
| 10-15  | 29433111200 | COLLAR              | 2   |          |
| 10-16  | 99021100701 | BOLT,HEX.HOLE,10X70 | 2   |          |
| 10-17  | 99021080201 | BOLT,8X20           | 4   |          |
| 10-18  | 99210080012 | WASHER,S,8          | 4   |          |
| 10-19  | 99201080011 | WASHER,8            | 4   |          |
| 10-20  | 49533111810 | BRACKET,MUD FLAP    | 1   |          |
| 10-21  | 49633111200 | HOLDER,MUD FLAP     | 1   |          |
| 10-22  | 50033111200 | FLAP,MUD            | 1   |          |
| 10-23  | 99201060011 | WASHER,6            | 1   |          |
| 10-24  | 99210060012 | WASHER,S,6          | 1   |          |
| 10-25  | 99023060121 | BOLT,PLUS,6X12      | 1   |          |
| 10-28  | 99415040121 | SCREW,PS,4X12       | 3   |          |
| 10-31  | 00533110800 | BED,ENGINE          | 1   |          |
| 10-33  | 99414060161 | SCREW,S,6X16        | 4   |          |
| 10-35  | 99182060001 | NUT,FLANGE,6        | 4   |          |
| 10-36  | 99023060161 | BOLT,6X16 PLUS      | 1   |          |
| 10-37  | 99210060012 | WASHER,S,6          | 1   |          |
| 10-38  | 99201060011 | WASHER,6            | 1   |          |
| 10-39  | 33933111200 | STAY,CLUTCH CASE    | 1   |          |
| 10-69  | 48133111800 | STAY,ADJUST         | 1   |          |
| 10-70  | 99182060001 | NUT,FLANGE,6        | 1   |          |
| 10-71  | 4853311191  | PLATE,LOCK          | 1   |          |
| 10-73  | 99101060013 | NUT,6               | 1   |          |
| 10-74  | 8943311120  | RECEIVER,OUTER      | 1   |          |
| 10-75  | 4873311121  | SPRING,LOCK PLATE   | 1   |          |
| 10-80  | 90433111210 | BOLT,SPECIAL        | 1   |          |
| 10-81  | 87132367200 | WASHER,SPECIAL      | 1   |          |
| 10-82  | 99201060011 | WASHER,6            | 1   |          |
| 10-100 | 99174080003 | U-NUT,8             | 1   |          |
| 10-101 | 99201080011 | WASHER,8            | 1   |          |
| 10-102 | 30736100200 | LEVER,WASHER ENGAGE | 1   |          |
| 10-103 | 4673311120  | COLLAR              | 1   |          |

FUEL TANK & CONTROL WIRES • FIGURE 11

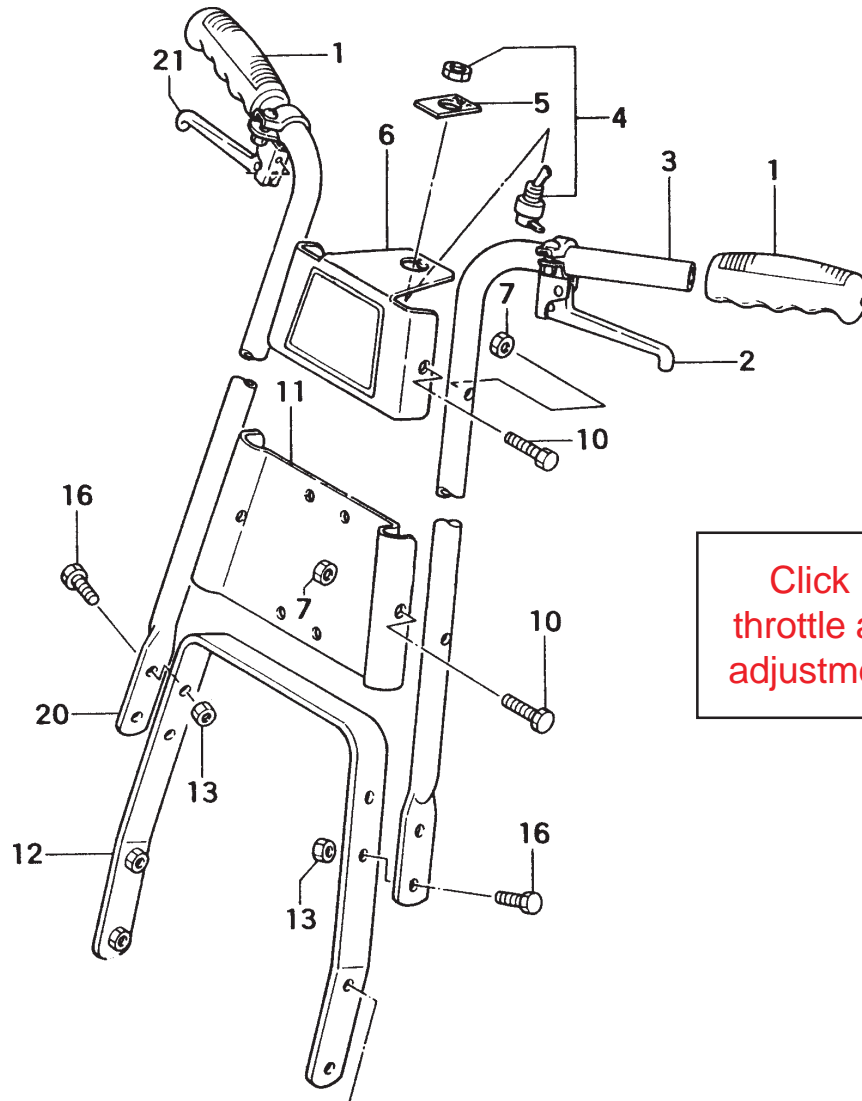


| ITEM  | PART NUMBER | DESCRIPTION              | QTY | COMMENTS |
|-------|-------------|--------------------------|-----|----------|
| 11-31 | 8851026680  | WIRE,THROTTLE,TLE-600    | 1   |          |
| 11-32 | 17810243800 | CORD,STOP                | 1   |          |
| 11-33 | 4803312790  | WIRE,HEIGHT ADJUST       | 1   |          |
| 11-34 | 16413085010 | TUBE,PROTECTION,13X850   | 1   |          |
| 11-35 | 4603311120  | CLAMP,B                  | 1   |          |
| 11-41 | 5953312490  | CAP,TANK TLE             | 1   |          |
| 11-42 | 5913312390  | TANK W/CAP,TLE           | 1   |          |
| 11-42 | 5913312F80  | TANK, FUEL, WHITE WO/CAP | 1   | ~E111601 |
| 11-45 | 99415060121 | SCREW,6X12               | 4   |          |
| 11-46 | 67501630900 | FILTER,FUEL              | 1   |          |
| 11-47 | 68004019210 | CLIP,7                   | 1   |          |
| 11-48 | 67810246200 | PIPE,FUEL                | 1   |          |
| 11-61 | 17733111800 | CORD,EARTH,B             | 1   |          |



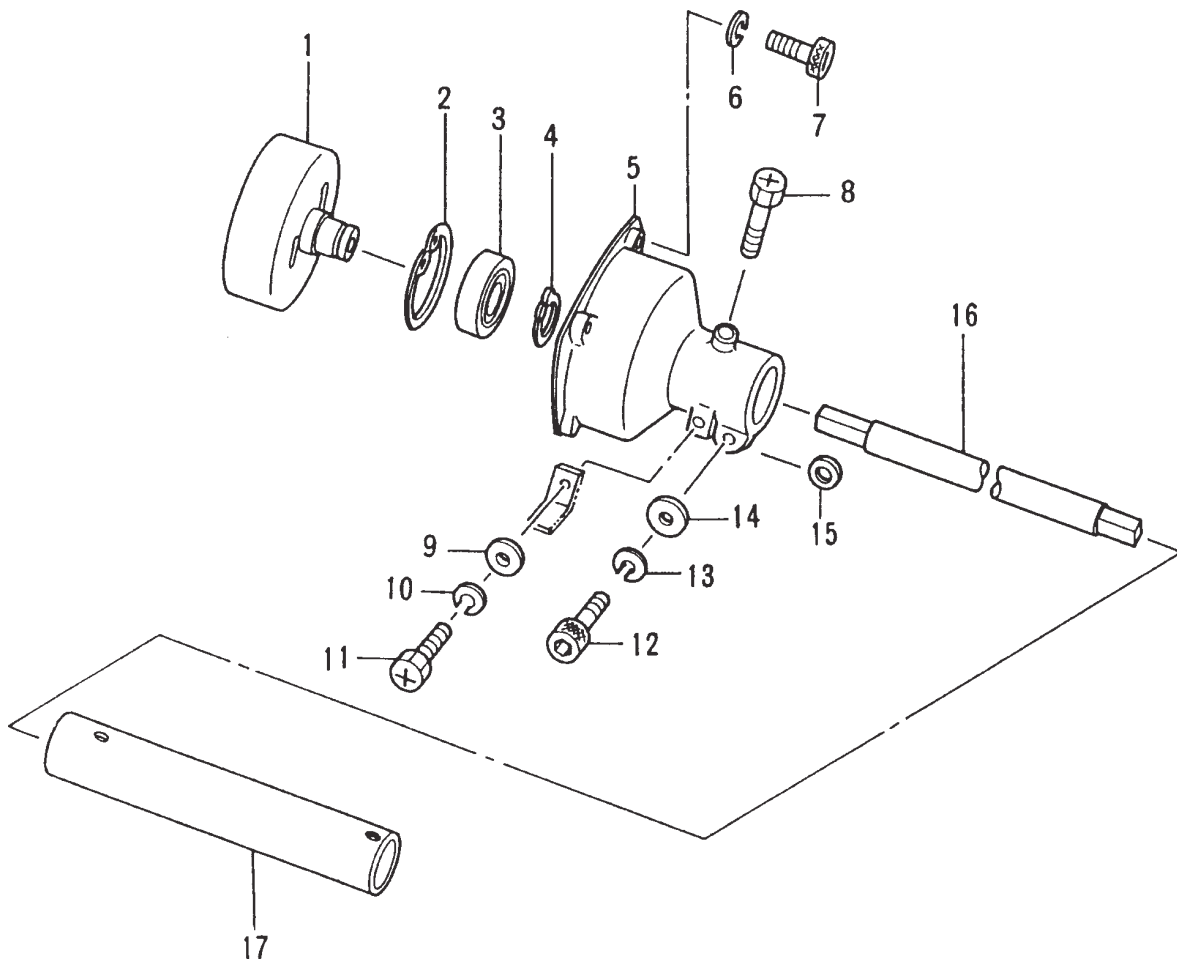
| ITEM  | PART NUMBER | DESCRIPTION      | QTY | COMMENTS |
|-------|-------------|------------------|-----|----------|
| 12-49 | 99967042003 | O-RING,P-42      | 1   |          |
| 12-51 | 99415050141 | SCREW,5X14/PS    | 4   |          |
| 12-53 | 42333111201 | BODY,CLEANER     | 1   |          |
| 12-54 | 99101050011 | NUT,5            | 4   |          |
| 12-55 | 44405015200 | ELEMENT,CLEANER  | 1   |          |
| 12-56 | 42505015200 | CORE,CLEANER     | 1   |          |
| 12-57 | 46633111200 | BAND,WIRE 36     | 2   |          |
| 12-58 | 46233110200 | PIPE,RUBBER,15   | 1   |          |
| 12-59 | 16432055000 | HOSE,CLEANER     | 1   |          |
| 12-60 | 45933111900 | CLAMP,HOSE ASS'Y | 1   |          |



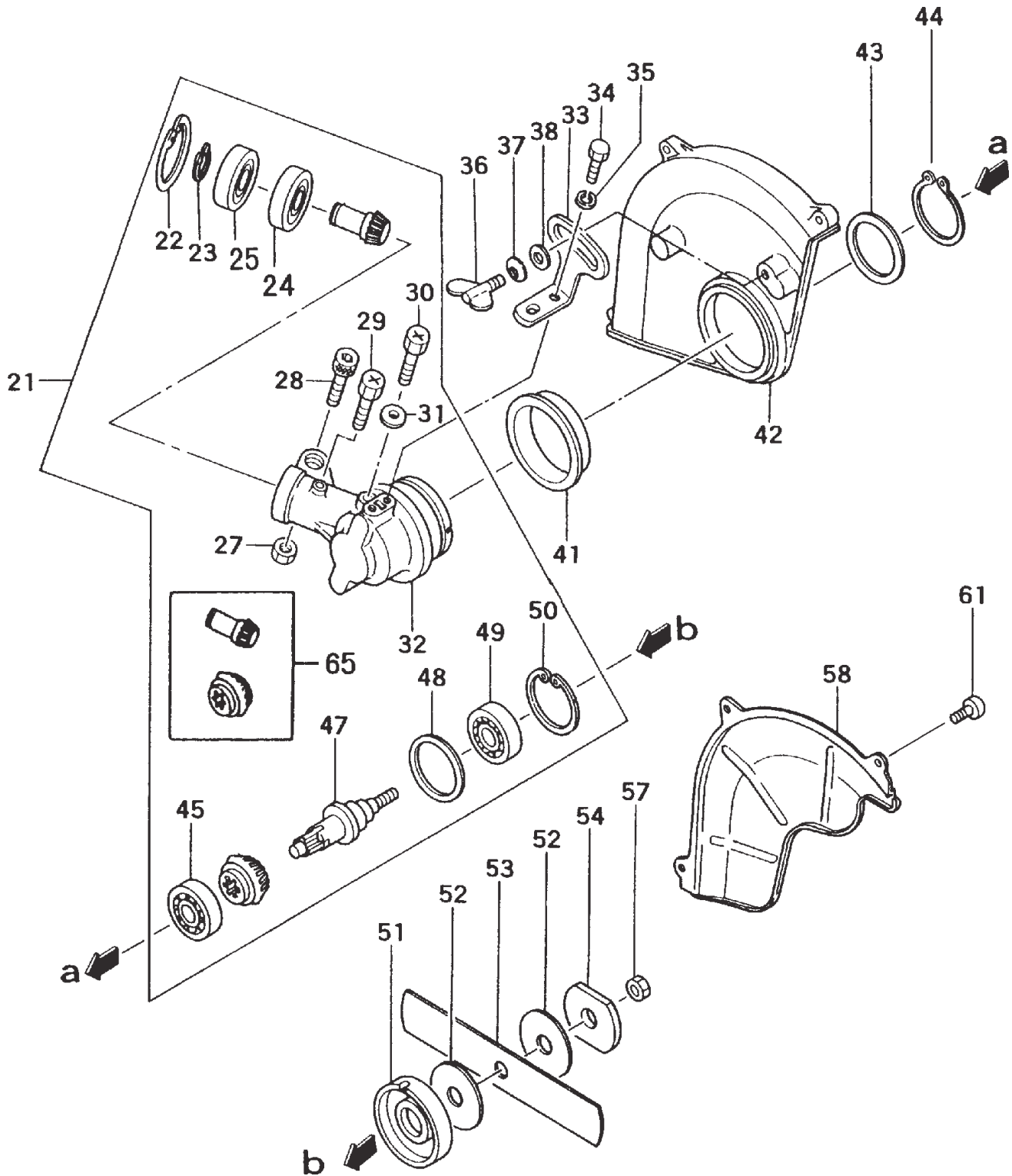


Click here for  
throttle and height  
adjustment cables

| ITEM  | PART NUMBER | DESCRIPTION          | QTY | COMMENTS |
|-------|-------------|----------------------|-----|----------|
| 13-1  | 16533111200 | GRIP,HANDLE          | 2   |          |
| 13-2  | 4723311190  | LEVER,ADJUST,ASS'Y   | 1   |          |
| 13-3  | 15933111200 | HANDLE,LEFT          | 1   |          |
| 13-4  | 16201570900 | SWITCH,STOP,ASS'Y    | 1   |          |
| 13-5  | 18301300200 | NAME PLATE,SWITCH    | 1   |          |
| 13-6  | 64033111200 | PLATE,STOP SWITCH    | 1   |          |
| 13-7  | 99182060001 | NUT,FLANGE,6         | 4   |          |
| 13-10 | 99021060351 | BOLT,6X35            | 4   |          |
| 13-11 | 45433111200 | HOLDER,CLEANER BODY  | 1   |          |
| 13-12 | 15533111800 | HANDLE,A             | 1   |          |
| 13-13 | 99182060001 | NUT,FLANGE,6         | 4   |          |
| 13-16 | 99023060181 | BOLT,PLUS,6X18       | 4   |          |
| 13-20 | 15833111200 | HANDLE,RIGHT         | 1   |          |
| 13-21 | 1623311190  | LEVER,THROTTLE ASS'Y | 1   |          |



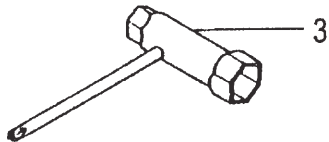
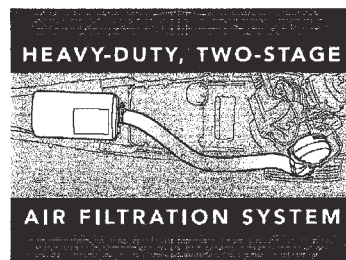
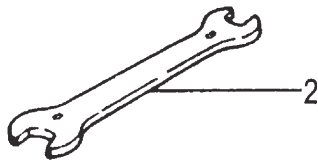
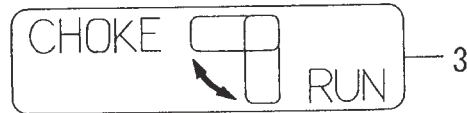
| ITEM  | PART NUMBER | DESCRIPTION          | QTY | COMMENTS |
|-------|-------------|----------------------|-----|----------|
| 14-1  | 33233110801 | DRUM,CLUTCH          | 1   |          |
| 14-2  | 99351040002 | RING,STOP,C40        | 1   |          |
| 14-3  | 99961620304 | BEARING,BALL,#6203DD | 1   |          |
| 14-4  | 99350017002 | RING,STOP,C17 EX     | 1   |          |
| 14-5  | 33133110200 | CASE,CLUTCH          | 1   |          |
| 14-6  | 99210050062 | WASHER,S,5           | 4   |          |
| 14-7  | 99051050253 | BOLT,HEX,5X25        | 4   |          |
| 14-8  | 99023060121 | BOLT,PLUS,6X12       | 1   |          |
| 14-9  | 99201060011 | WASHER,6             | 1   |          |
| 14-10 | 99210060012 | WASHER,S,6           | 1   |          |
| 14-11 | 99023060161 | BOLT,6X16 PLUS       | 1   |          |
| 14-12 | 99051060303 | BOLT,HEX.HOLE,6X30   | 1   |          |
| 14-13 | 99210060062 | WASHER,S,6           | 1   |          |
| 14-14 | 99201060061 | WASHER,6             | 1   |          |
| 14-15 | 33833110200 | WASHER,CLUTCH CASE   | 1   |          |
| 14-16 | 34333111200 | SHAFT,DRIVE          | 1   |          |
| 14-17 | 34133111200 | PIPE,DRIVE SHAFT     | 1   |          |



### GEAR CASE, SAFETY GUARD & BLADE • FIGURE 15

| ITEM  | PART NUMBER | DESCRIPTION          | QTY | COMMENTS |
|-------|-------------|----------------------|-----|----------|
| 15-21 | 30033111900 | CASE,GEAR ASS'Y      | 1   |          |
| 15-22 | 99351032002 | RING,STOP,C-32 IN    | 1   |          |
| 15-23 | 99350015002 | RING,STOP,C-15 EX    | 1   |          |
| 15-24 | 99961600200 | BEARING,BALL,#6002   | 1   |          |
| 15-25 | 99961600202 | BEARING,BALL,#6002Z  | 1   |          |
| 15-27 | 99101080013 | NUT,8                | 1   |          |
| 15-28 | 99051080303 | BOLT,HEX.HOLE,8X30   | 1   |          |
| 15-29 | 99023060121 | BOLT,PLUS,6X12       | 1   |          |
| 15-30 | 99023080121 | BOLT,P,8X12          | 1   |          |
| 15-31 | 31612101200 | GASKET,DRAIN PLUG    | 1   |          |
| 15-32 | 30033110210 | CASE,GEAR            | 1   |          |
| 15-33 | 44333111202 | STAY,SIDE COVER      | 1   |          |
| 15-34 | 99021060151 | BOLT,6X15            | 2   |          |
| 15-35 | 99210060012 | WASHER,S,6           | 2   |          |
| 15-36 | 99060080201 | BOLT,WING,8X20       | 1   |          |
| 15-37 | 99205080030 | WASHER,8             | 1   |          |
| 15-38 | 99201080011 | WASHER,8             | 1   |          |
| 15-41 | 44533110200 | HOLDER,SAFETY COVER  | 1   |          |
| 15-42 | 44133110210 | COVER,SAFETY         | 1   |          |
| 15-43 | 14133110200 | WASHER,SAFETY COVER  | 1   |          |
| 15-44 | 99350065002 | RING,STOP,EX,C-65    | 1   |          |
| 15-45 | 99961620100 | BEARING,BALL,#6201   | 1   |          |
| 15-47 | 30433110210 | SHAFT,GEAR           | 1   |          |
| 15-48 | 38233110200 | HOLDER,BEARING       | 1   |          |
| 15-49 | 99961620504 | BEARING,BALL,#6205DD | 1   |          |
| 15-50 | 99351052002 | RING,STOP,C-52 IN    | 1   |          |
| 15-51 | 31033110200 | HOLDER,CUTTER        | 1   |          |
| 15-52 | 31433111200 | WASHER,HOLDER        | 2   |          |
| 15-53 | 43533110200 | BLADE,TLE-500/550    | 1   |          |
| 15-54 | 31133110202 | CAP,CUTTER HOLDER    | 1   |          |
| 15-57 | 99111120011 | NUT,12               | 1   |          |
| 15-58 | 4423311020  | COVER,SIDE           | 1   |          |
| 15-61 | 99415050121 | SCREW,5X12/PS        | 3   |          |
| 15-65 | 30133111000 | SET,GEAR/PINION      | 1   |          |

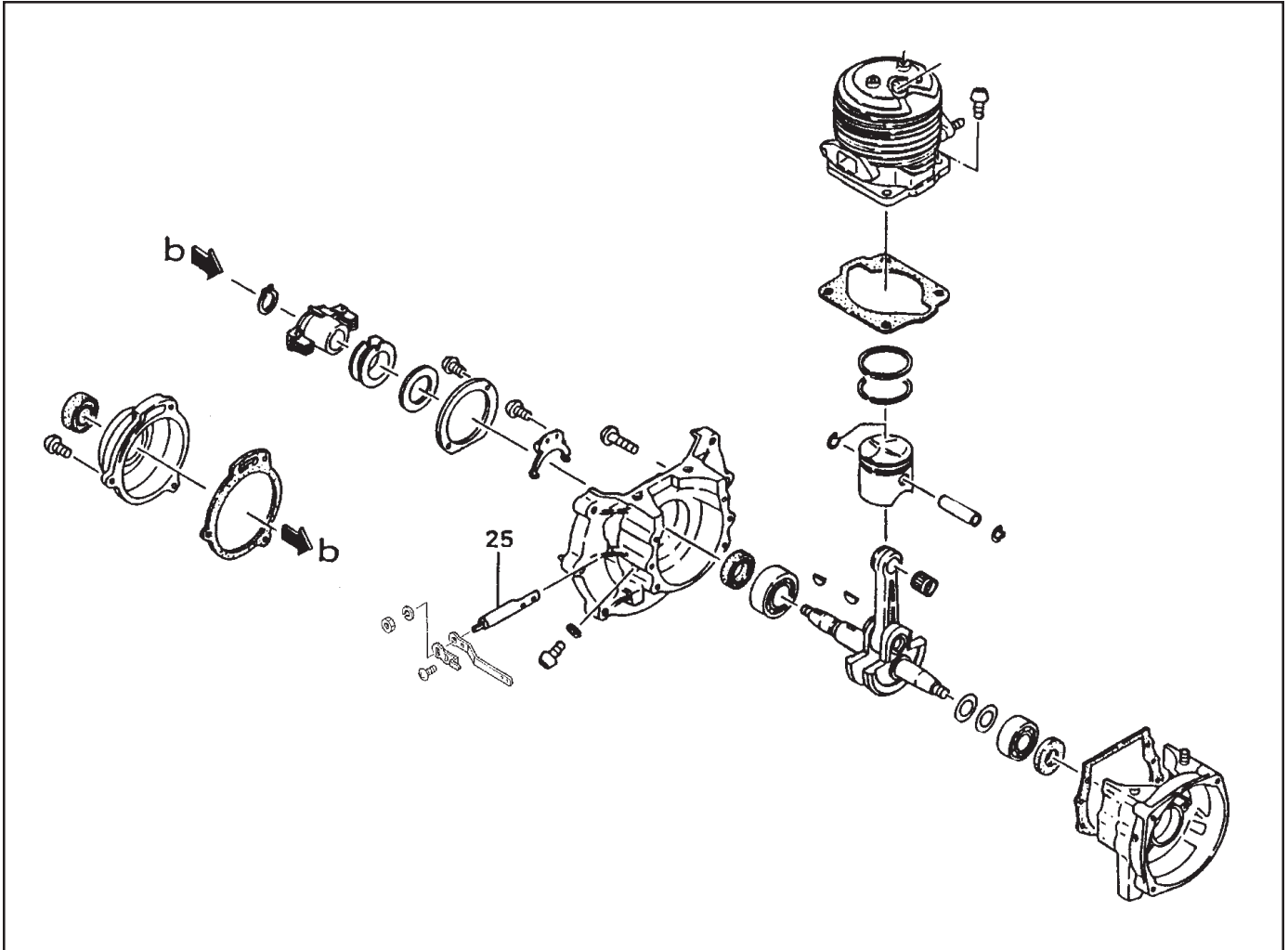
**DANGER** KEEP HANDS AND FEET AWAY — 2

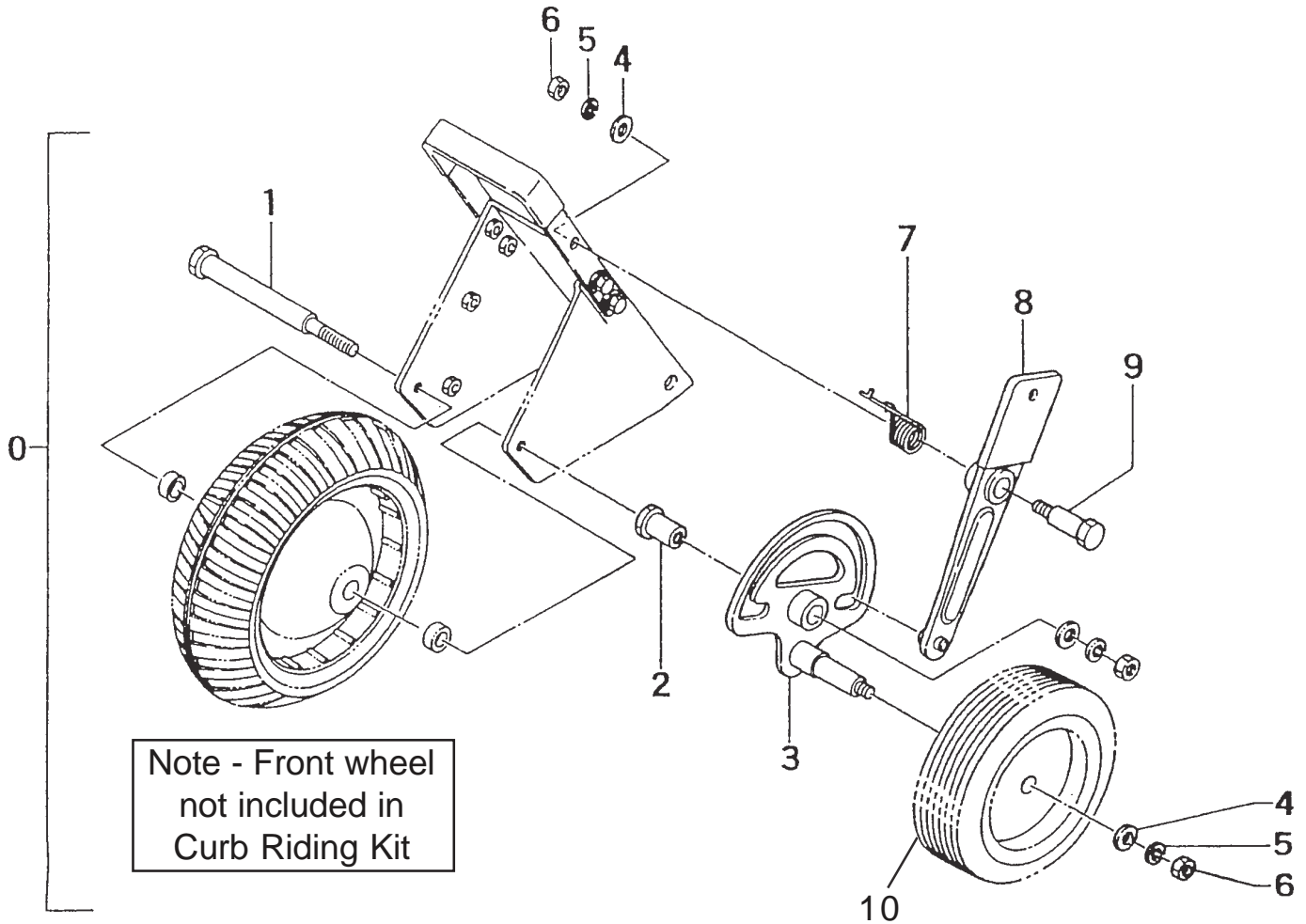


| ITEM | PART NUMBER | DESCRIPTION    | QTY | COMMENTS |
|------|-------------|----------------|-----|----------|
| 16-1 | 75233900200 | BAR, LOCKING   | 1   |          |
| 16-2 | 81020000200 | SPANNER, 13X17 | 1   |          |
| 16-3 | 03629331501 | SPANNER, COMBI | 1   |          |

| ITEM | PART NUMBER | DESCRIPTION                | QTY | COMMENTS |
|------|-------------|----------------------------|-----|----------|
| 17-1 | 9063312720  | DECAL, TLE-600             | 1   |          |
| 17-2 | 91933111201 | DECAL, CAUTION             | 1   |          |
| 17-3 | 90810246200 | DECAL, CHOKE               | 1   |          |
| 17-4 | 9083312720  | DECAL, AIR FILTER, TLE-600 | 1   |          |
| 17-6 | 91833117200 | DECAL, CAUTION             | 1   |          |

### Illustrated contents of SB-600 Short Block





| ITEM | PART NUMBER | DESCRIPTION          | QTY | COMMENTS |
|------|-------------|----------------------|-----|----------|
| 0    | 748011      | CURB KIT,TLE-550,600 | 1   |          |
| 1    | 28933111200 | SHAFT,FRONT          | 1   |          |
| 2    | 21833110200 | NUT,SPECIAL          | 1   |          |
| 3    | 22033110800 | HOLDER,WHEEL         | 1   |          |
| 4    | 99201080011 | WASHER,8             | 2   |          |
| 5    | 99210080012 | WASHER,S,8           | 2   |          |
| 6    | 99101080011 | NUT,8                | 2   |          |
| 7    | 22533111200 | SPRING,STOPPER       | 1   |          |
| 8    | 22333110800 | STAY,STOPPER         | 1   |          |
| 9    | 22633111200 | BOLT,SPECIAL         | 1   |          |
| 10   | 1203729480  | WHEEL,6"             | 1   |          |

## FORWARD

This attachment is designed for TANAKA lawn edger, model TLE-550 to make curb-ride edging job easy (CR-KIT) and efficient. (Fig.1)

### HOW TO INSTALL

(During installation, be careful not to hurt yourself with blades)

1. Replace original front shaft with one for curb-riding assembly.
2. Tighten the re-installed shaft with special nut. (Fig.2)
3. Put grease on and around special nut, then mount wheel holder on the special nut. Install washer, spring washer and nut on front shaft and tighten them firmly. (Fig.3)
4. Install special bolt, stopper stay and stopper spring and fix them with 8 mm washers and nut. (Fig.4)

**NOTE:** When installed, make sure the stopper stay pin is located in the radius slot of wheel holder.

5. Make sure shorter end of stopper spring is attached on front fender and the other end on stopper stay as shown in Fig.5.
6. Install curb-riding wheel on shaft holding the shaft and tire at the most front for easier installation (convex side should face front wheel side). Then, place washer, spring washer and nut on the shaft and tighten the nut securely. (Fig.5)

### HOW TO OPERATE

1. When you make a curb-riding cut, let curb-riding wheel down by moving stopper stay upwards. (Fig.6) If this is not enough, lift up carrying handle to help move curb-riding wheel down.
2. When you do not use curb-riding wheel, move stopper stay upwards and lift wheel to lock into place. (Fig.6)

**NOTE:** If stopper stay pin is not locked in place, the curb wheel will not work. If the curb wheel does not roll smoothly, apply some grease to the axle.

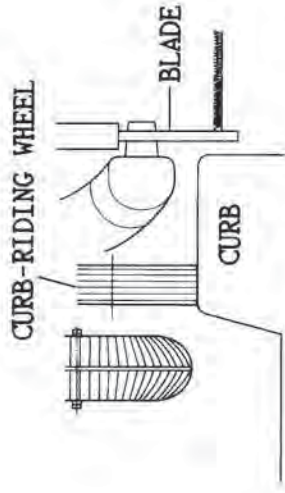


FIG.1

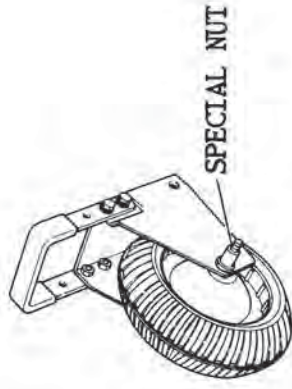


FIG.2

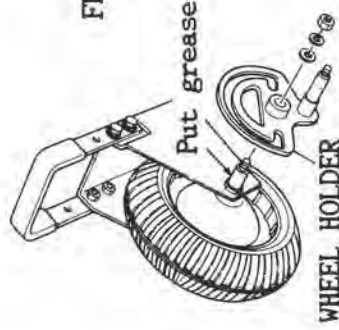


FIG.3

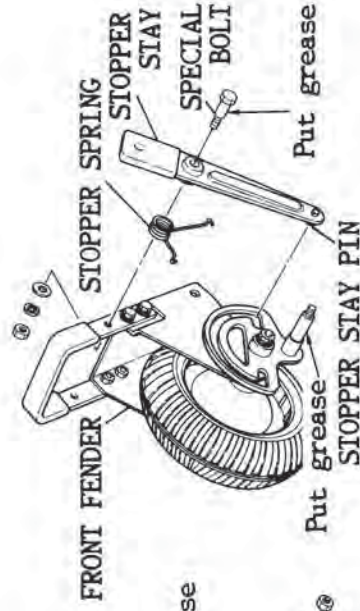


FIG.4

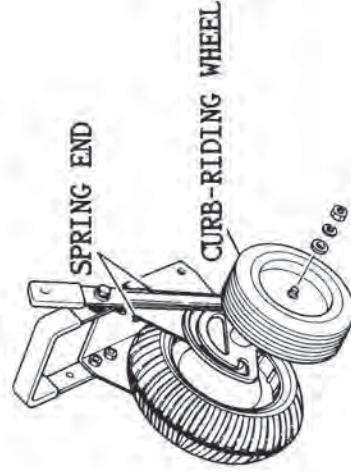
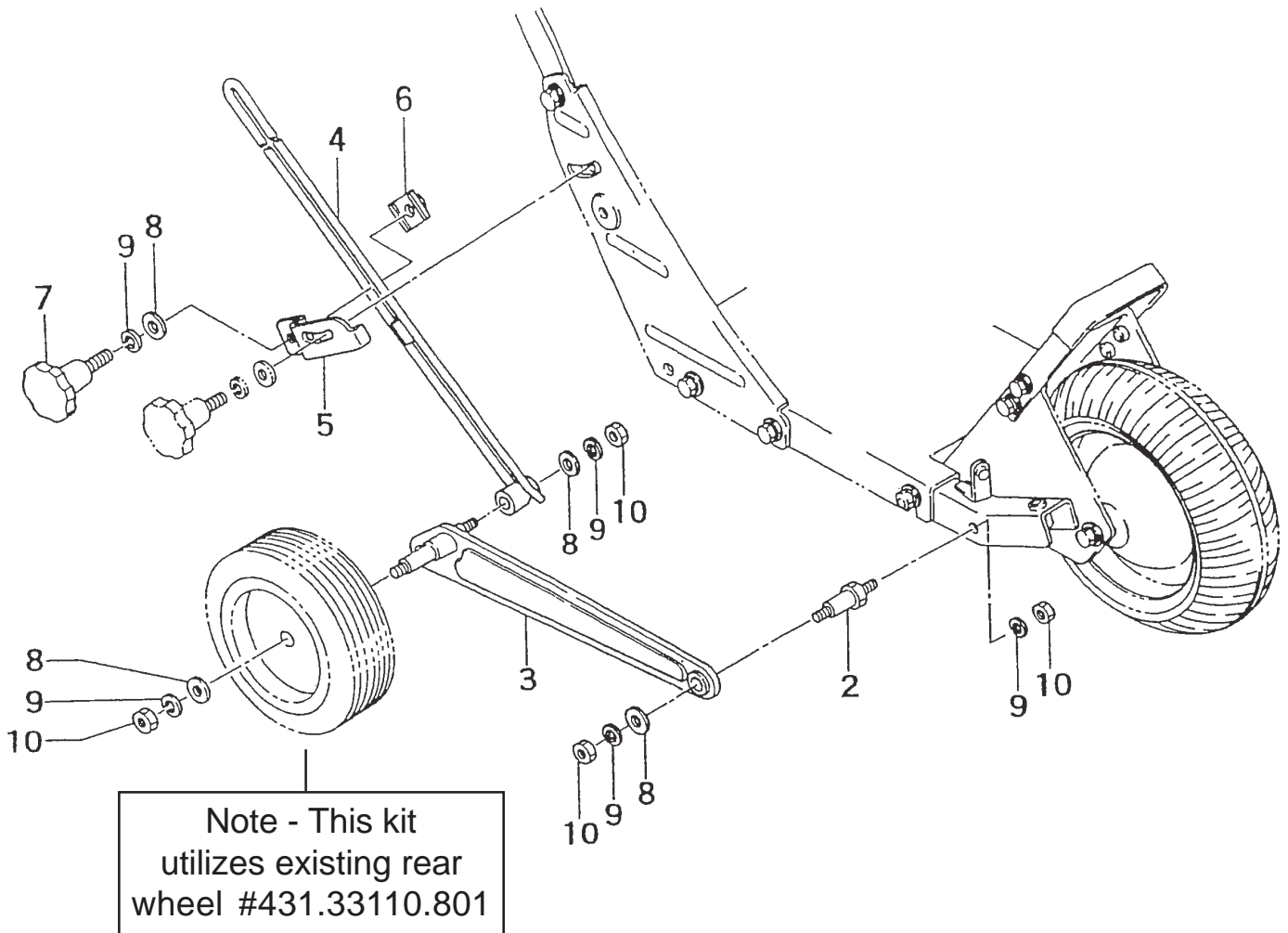


FIG.5



FIG.6





| ITEM | PART NUMBER | DESCRIPTION          | QTY | COMMENTS |
|------|-------------|----------------------|-----|----------|
| 0    | 748012      | CURB KIT,TLE-550,600 | 1   |          |
| 2    | 3803311200  | BOLT,SPECIAL         | 1   |          |
| 3    | 20033110800 | BRACKET,WHEEL        | 1   |          |
| 4    | 20533110800 | ADJUSTER,WHEEL       | 1   |          |
| 5    | 20833111200 | HOLDER,ADJUSTER      | 1   |          |
| 6    | 20933111800 | METAL,HOLDER         | 1   |          |
| 7    | 21033110800 | HANDLE,LOCK          | 1   |          |
| 8    | 99201080011 | WASHER,8             | 4   |          |
| 9    | 99210080012 | WASHER,S,8           | 5   |          |
| 10   | 99101080011 | NUT,8                | 4   |          |

## FORWARD

This attachment is designed for Yanaka lawn edger, model TLE-550 to make curb-riding job easy and efficient. This TLE-DW-KIT or drop wheel kit works up to 10 inch curb high with adjustable drop wheel. (Fig.1)

## HOW TO INSTALL

1. Remove right side rear wheel (viewed from operating position) and its wheel shaft using a 17 mm spanner. (Fig.2)
2. Attach special bolt to adjust stay firmly using 8 mm washers and nut provided and apply some grease around the bolt. (Fig.3)
3. Install wheel bracket onto the greased bolt using 8 mm washers and nut provided. (Fig.3)
4. Install adjust holder to handle holder B using fitting knob and washers. (Fig.5)
5. Reinstall dismounted rear wheel onto mounting shaft of wheel bracket (Fig.5), then set wheel adjuster onto the shaft of wheel bracket from the opposite side of handle holder B using 8 mm washers and nut provided. (Fig.4)
6. Mount adjuster holder to handle holder B using washer, lock washer, and fitting knob. Mount wheel adjuster to the adjuster holder using the fitting knob. (Fig.5)
7. Mount holder metal on wheel adjuster with fitting knob while holding wheel adjuster against adjuster holder. (Fig.5)

## HOW TO OPERATE

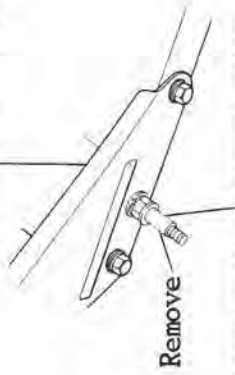
1. Loosen fitting knob by turning counterclockwise and adjust height of mounted drop wheel according to curb height. Then fix it strongly by turning the knob clockwise.

**NOTE:** Before operation recheck fixing knob for security. Also during operation see if it is not loose from time to time.

## CAUTION !

1. When loading, unloading or transporting the machine, the drop wheel should be in the upward position so that the edger frame is level. (Fig.6)
2. Periodically apply grease to all moving parts.

HANDLE HOLDER B



RIGHT SIDE OF WHEEL SHAFT

FIG.2

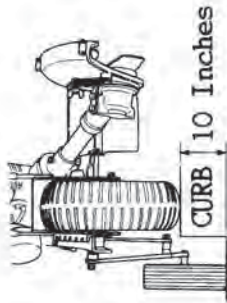


FIG.1

WHEEL BRACKET

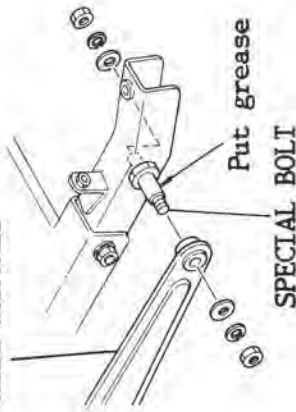
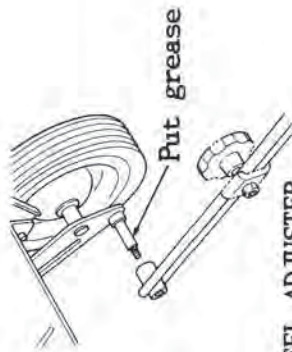


FIG.3



WHEEL ADJUSTER

FIG.4

WHEEL ADJUSTER

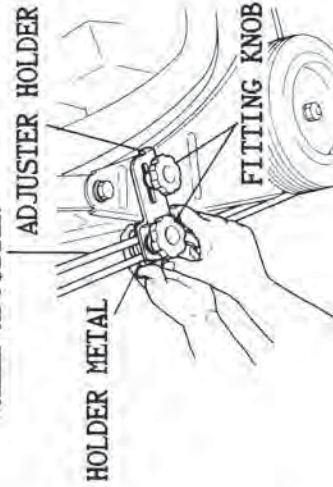


FIG.5

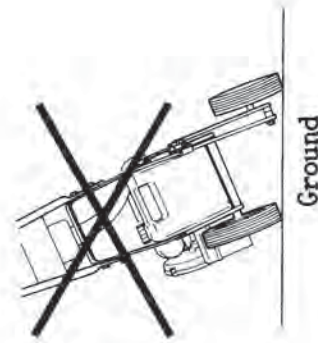


FIG.6