



Click Here To View
Item at

www.GapPower.com

*Sales • Rentals
Parts & Service*

Parts



Ultra 395/495/595™ Ultra Max II 490/495/595™

309675T

EN

3300 psi (228 bar, 22.8 MPa) Maximum Working Pressure

120 VAC

Type	Stand	Series	Lo-boy	Series	Hi-boy	Series
Ultra 395™	233960	B	233961	B	233962	B
Ultra 495™	233966	A	233967	A	233968	A
Ultra 595™			234490	A	234435	A
Ultra Max II 490™	249911	B	249913	B	249914	B
Ultra Max II 495™	249915	B	249916	B	249917	B
Ultra Max II 595™			249918	B	249919	B

Related manuals



..... 309365
..... 309665



..... 309250



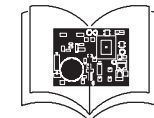
..... 309639



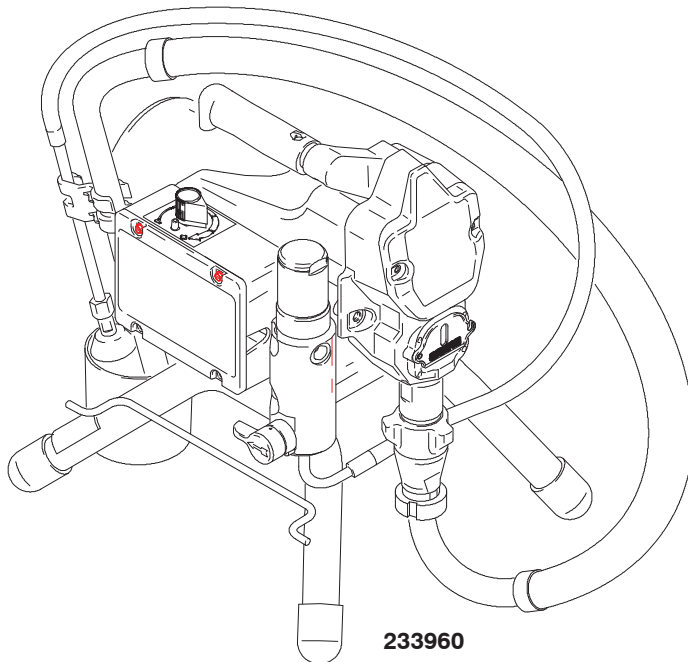
..... 309640



..... 309674



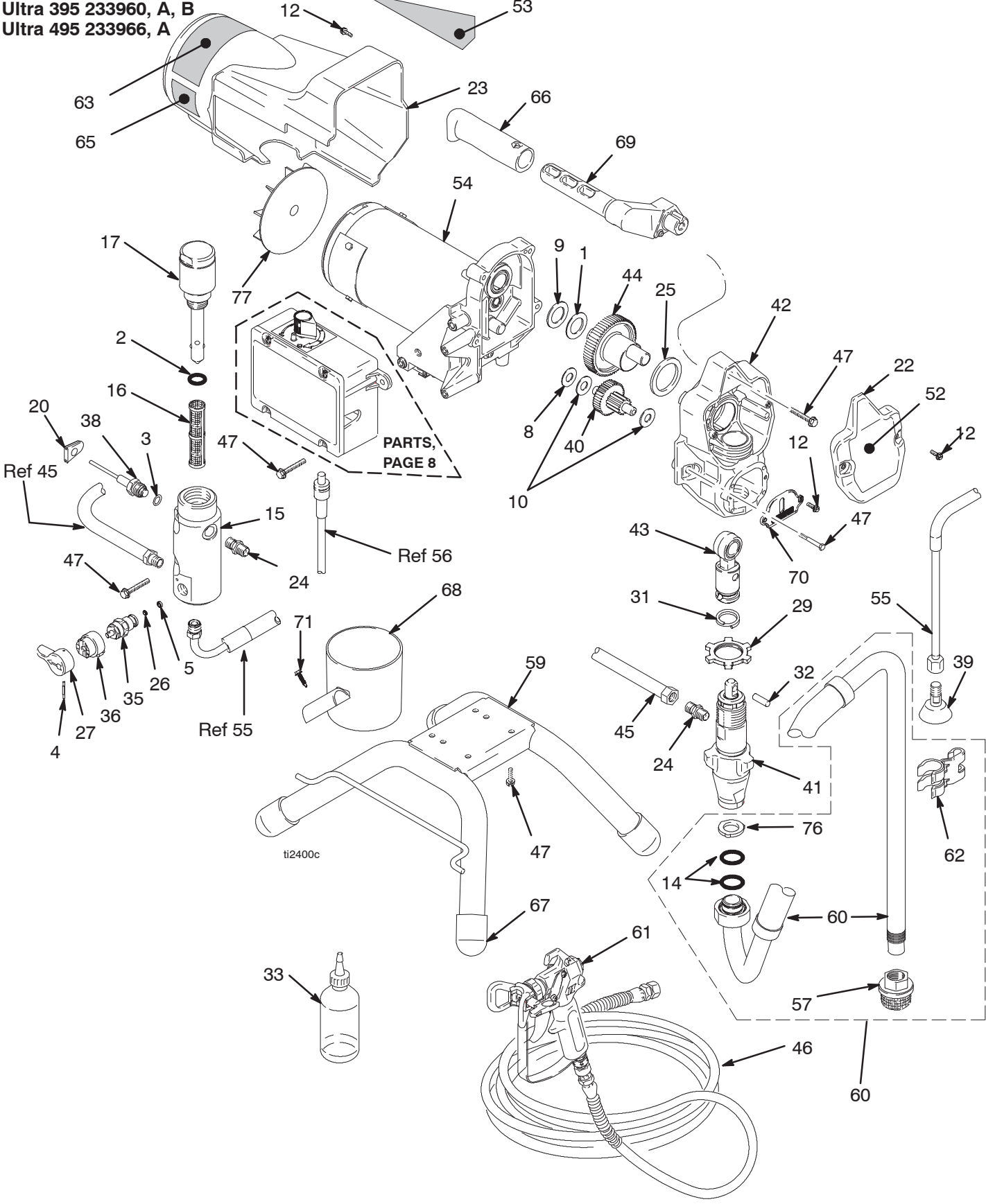
..... 309709



ti2399

Parts Drawing - Ultra Sprayers

Ultra 395 233960, A, B
 Ultra 495 233966, A



Parts List - Sprayer

Ultra 395: 233960, A, B

Ultra 495: 233966, A

Ref

Ref No.	Part No.	Description	Qty	Ref No.	Part No.	Description	Qty
1	107434	BEARING, thrust	1	45	287003	HOSE, cpld	1
2	117828	PACKING, o-ring	1	46	240794	HOSE, cpld, 1/4 in. x 50 ft	1
3	111457	PACKING, o-ring	1	47	117493	SCREW, mach, hex washer hd	11
4	111600	PIN, grooved	1	52		LABEL, front, Graco	
5	111699	GASKET, seat, valve	1		15K395	Ultra 395	1
8	116073	WASHER, thrust	1		15B255	Ultra 495	1
9	116074	WASHER, thrust	1	53		LABEL, side, Graco	1
10	116079	BEARING, thrust	2		15K392	Ultra 395	1
12	117501	SCREW, mach, hex washer hd	6		15B495	Ultra 495	1
14	117559	O-RING	2	54		MOTOR, 120V	
15	15G455	MANIFOLD, fluid	1		287014*‡	Ultra 395	1
16	246384†	FILTER, fluid, 60 mesh	1			includes 77	
17	287167	CAP, manifold (Model 233966)	1		287015*	Ultra 495	1
	287902	CAP, manifold (Model 233960)	1			includes 77	
20	15B120	GROMMET, transducer	1	55	246381	HOSE, drain, ST stand	1
22	287058	COVER, front, Graco, paint	1			includes 39, 62	
23	287056	SHIELD, motor, painted	1	57	246385	STRAINER, 7/8-14 unf	1
24	162453	NIPPLE, (1/4 npsm x 1/4 npt)	2	59	15E823	FRAME, standmount	1
25	180131	BEARING, thrust	1	60	246386	KIT, hose suction	1
26	187615	SEAT, valve	1			includes 14, 57, 62, 76	
27	187625	HANDLE, valve, drain	1	61	246220	GUN, Contractor II	1
29	195150	NUT, jam, pump	1			Manual 309639	
31	196750	SPRING, retaining	1	62	276888	CLIP, drain line	1
32	196762	PIN, straight	1	63	15B516▲	LABEL, danger	1
33	206994	FLUID, TSL	1	65	195833▲	LABEL, warning	1
35	235014	VALVE, drain	1	66	116139	GRIP, handle	1
		includes 5, 26		67	15G857	CAP, leg	4
36	224807	BASE, valve	1	68	287903	CUP, suction/drain	1
38	243222	TRANSDUCER, pressure control	1	69	287072	HANDLE, sprayer	1
		includes 3				includes 47, 66	
39	241920	DEFLECTOR, threaded	1	70	15B589	COVER, pump rod	1
40	287057	GEAR, reducer	1	71	115723	SCREW, drill, hex washer head	1
		includes 8, 10		76	115099	WASHER, hose	1
41	246428	PUMP, displacement, ST	1	77	239912	FAN, motor	1
		includes 32					
42	287055	HOUSING, drive	1				
		includes 12, 70					
43	287053	ROD, connecting	1				
		includes 31, 32					
44	287054	GEAR, crankshaft	1				
		includes 1, 9, 25					

▲Extra Danger and Warning tags and labels available free.

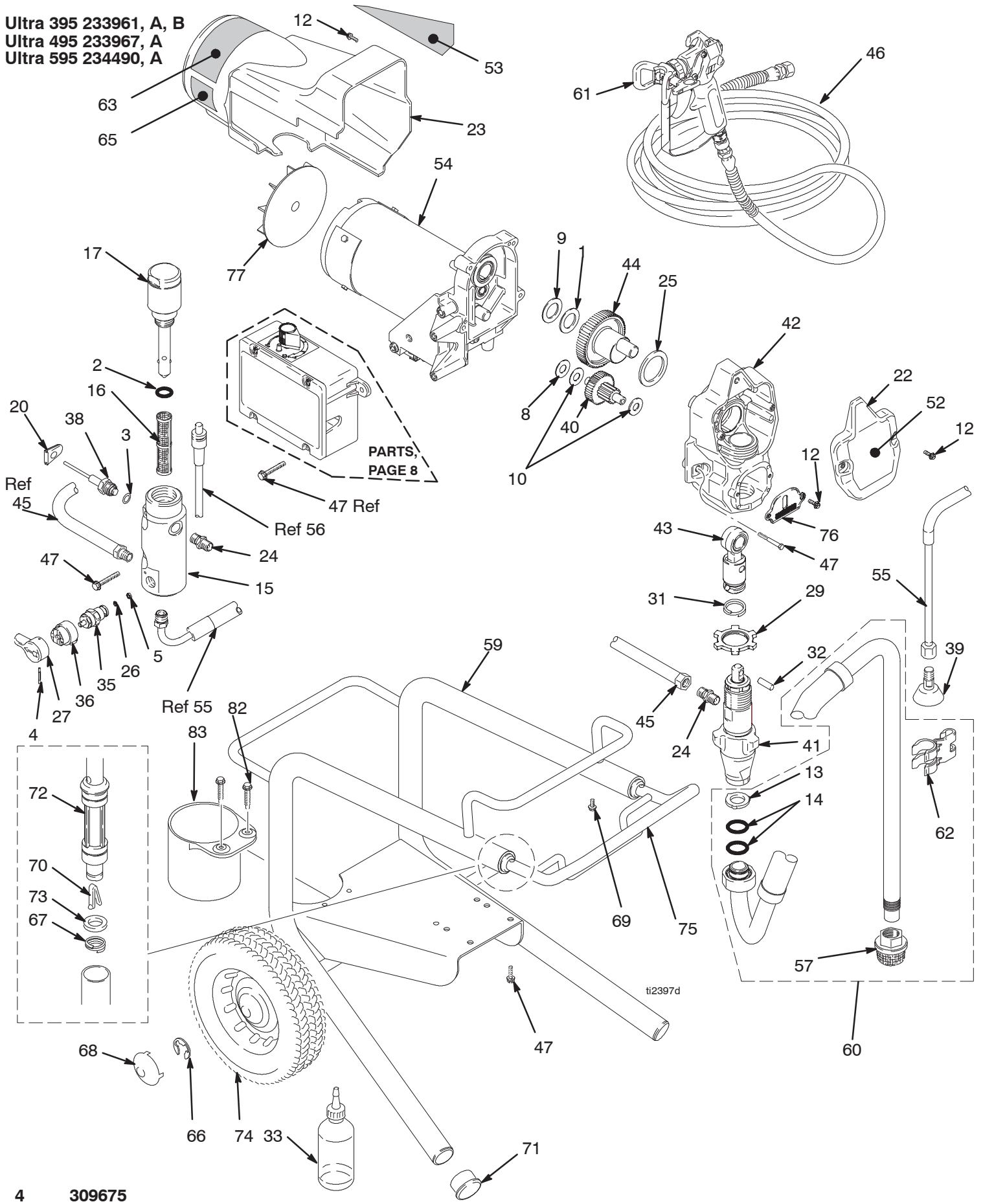
* Motor Brush Kit 287735 is available for Series A (no mark)

‡ Motor Brush Kit 236967 is available for Series B

† Other filters available: 246382, 100 mesh; 246383, 200 mesh; 246425, 30 mesh

Parts Drawing - Sprayer

Ultra 395 233961, A, B
 Ultra 495 233967, A
 Ultra 595 234490, A



Parts List - Sprayer

Ultra 395: 233961, A, B

Ultra 495: 233967, A

Ultra 595: 234490, A

Ref	No.	Part No.	Description	Qty	Ref	No.	Part No.	Description	Qty
	1	107434	BEARING, thrust	1	52			LABEL, front, Graco	
	2	117828	PACKING, o-ring	1		15K395		Ultra 395	1
	3	111457	PACKING, o-ring	1		15B255		Ultra 495	1
	4	111600	PIN, grooved	1		15D161		Ultra 595	1
	5	111699	GASKET, seat, valve	1	53			LABEL, side, Graco	
	8	116073	WASHER, thrust	1		15K392		Ultra 395	1
	9	116074	WASHER, thrust	1		15B495		Ultra 495	1
	10	116079	BEARING, thrust	2		15D165		Ultra 595	1
	12	117501	SCREW, mach, hex washer hd	6	54			MOTOR, 120V	
	13	115099	WASHER, hose	1				includes 77	
	14	117559	O-RING	2		287014*‡		Ultra 395	1
	15	15G455	MANIFOLD, ST Pro	1		287015*		Ultra 495	1
	16	246384†	FILTER, fluid, 60 mesh	1		248184*		Ultra 595	1
	17	287167	CAP, manifold	1	55	246381		HOSE, drain, ST stand	1
	20	15B120	GROMMET, transducer	1				includes 39, 62	
	22	287058	COVER, front, Graco, paint	1	57	246385		STRAINER, 7/8-14 unf	1
			includes 12		59	246250		FRAME, cart, LO	1
	23	287056	SHIELD, motor, painted	1	60	246386		KIT, hose suction	1
			includes 12, 63, 65					includes 14, 57, 62, 13	
	24	162453	NIPPLE, (1/4 npsm x 1/4 npt)	2	61	246220		GUN, Contractor II	1
	25	180131	BEARING, thrust	1				Manual 309639	
	26	187615	SEAT, valve	1	62	276888		CLIP, drain line	1
	27	187625	HANDLE, valve, drain	1	63▲	15B516		LABEL, danger	1
	29	195150	NUT, jam, pump	1	65▲	195833		LABEL, warning	1
	31	196750	SPRING, retaining	1	66	15B999		CLIP, retaining	2
	32	196762	PIN, straight	1	67	103117		RING, retaining	2
	33	206994	FLUID, TSL	1	68	104811		CAP, hub	2
	35	235014	VALVE, drain	1	69	109032		SCREW, pan hd	4
			includes 5, 26		70	178565		BUTTON, snap	2
	36	224807	BASE, valve	1	71	107310		PLUG, tubing	2
	38	243222	TRANSDUCER, pressure control	1	72	195501		SLEEVE, cart	2
			includes 3		73	195673		WASHER	2
	39	241920	DEFLECTOR, threaded	1	74	195766		WHEEL, semi pneumatic	2
	40	287057	GEAR, reducer	1	75	243205		HANDLE, assembly	1
			includes 8, 10		76	15B589		COVER, pump rod	1
	41	246428	PUMP, displacement, ST	1	77			FAN, motor	
	42	287055	HOUSING, drive	1		239912		Ultra 395/495	1
			includes 12, 47, 76			289189		Ultra 595	1
	43	287053	ROD, connecting	1	82	115723		SCREW, drill	2
			includes 31, 32		83	15B870		CUP, suction/drain	1
	44		GEAR, crankshaft						
			includes 1, 9, 25						
		287054	Ultra 395/495	1					
		248231	Ultra 595	1					
	45	287003	HOSE, cpld	1					
	46	240794	HOSE, cpld, 1/4 in. x 50 ft	1					
	47	117493	SCREW, mach, hex washer hd	10					

▲Extra Danger and Warning tags and labels available free.

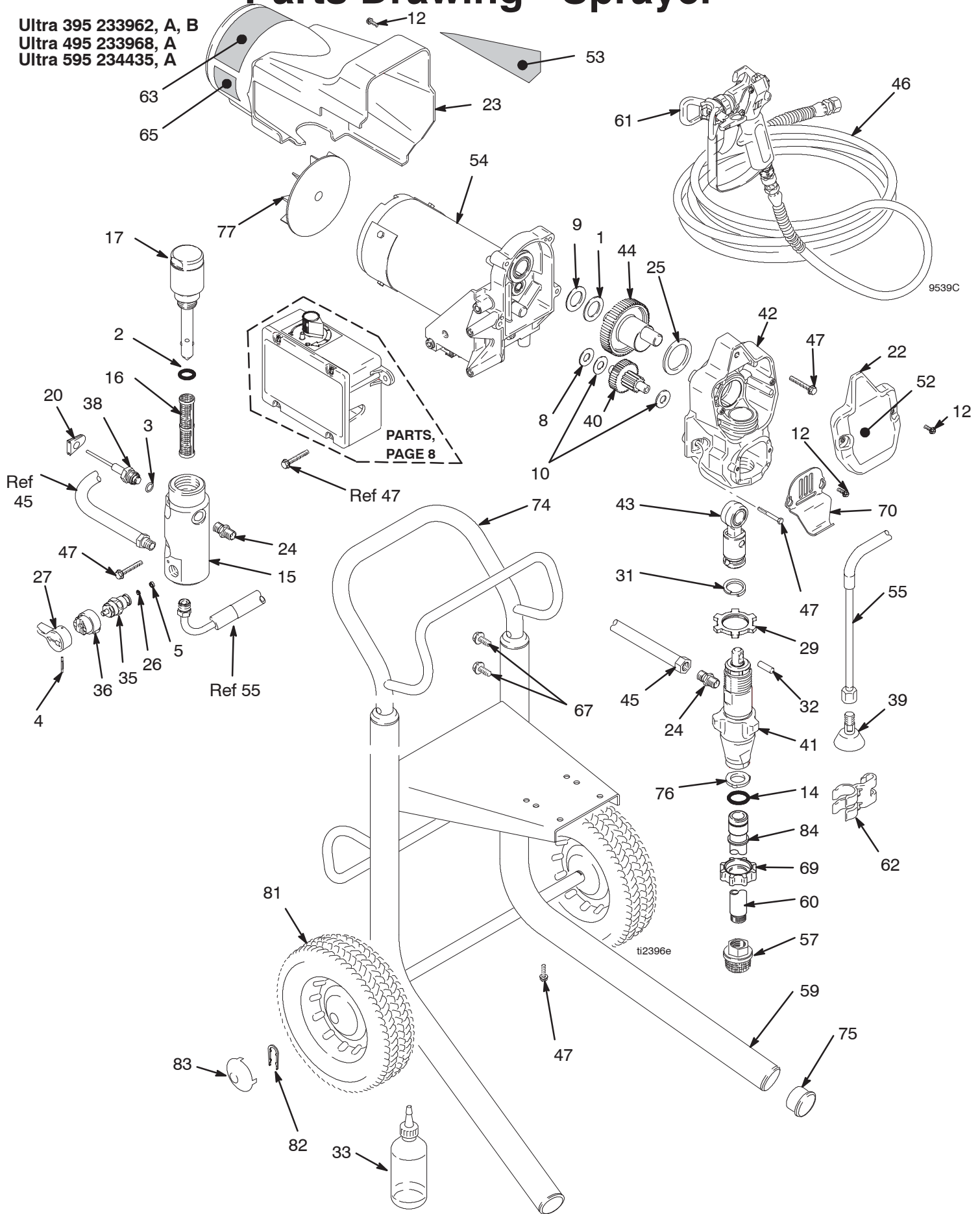
* Motor Brush Kit 287735 is available for Series A (no mark)

‡ Motor Brush Kit 236967 is available for Series B

† Other filters available: 246382, 100 mesh; 246383, 200 mesh; 246425, 30 mesh

Parts Drawing - Sprayer

Ultra 395 233962, A, B
 Ultra 495 233968, A
 Ultra 595 234435, A



Parts List - Sprayer

Ultra 395: 233962, A, B

Ultra 495: 233968, A

Ultra 595: 234435, A

Ref

Ref No.	Part No.	Description	Qty	Ref No.	Part No.	Description	Qty
1	107434	BEARING, thrust	1	47	117493	SCREW, mach, hex washer hd	10
2	117828	PACKING, o-ring	1	52		LABEL, front, Graco	
3	111457	PACKING, o-ring	1		15K395	Ultra 395	1
4	111600	PIN, grooved	1		15B255	Ultra 495	1
5	111699	GASKET, seat, valve	1		15D161	Ultra 595	1
8	116073	WASHER, thrust	1	53		LABEL, side, Graco	1
9	116074	WASHER, thrust	1		15K392	Ultra 395	1
10	116079	BEARING, thrust	2		15B495	Ultra 495	1
12	117501	SCREW, mach, hex washer hd	6		15D165	Ultra 595	1
14	103413	O-RING	1	54		MOTOR, 120V	
15	15G455	MANIFOLD, ST Pro	1			includes 77	
16	246384†	FILTER, fluid, 60 mesh	1		287014*‡	Ultra 395	1
17	287167	CAP, manifold	1		287015*	Ultra 495	1
20	15B120	GROMMET, transducer	1		248184*	Ultra 595	1
22	287058	COVER, front, Graco, paint	1	55	244240	HOSE, drain	1
		includes 12				includes 39	
23	287056	SHIELD, motor, painted	1	57	246385	STRAINER, 7/8-14 unf	1
		includes 12, 63, 65		59	245984	FRAME, cart, HI	1
24	162453	NIPPLE, (1/4 npsm x 1/4 npt)	2	60	246387	TUBE, suction	1
25	180131	BEARING, thrust	1			includes 14, 57, 69, 84	
26	187615	SEAT, valve	1	61	246220	GUN, Contractor II	1
27	187625	HANDLE, valve, drain	1			Manual 309639	
29	195150	NUT, jam, pump	1	62	276888	CLIP, drain line	1
31	196750	SPRING, retaining	1	63▲	15B516	LABEL, danger	1
32	196762	PIN, straight	1	65▲	195833	LABEL, warning	1
33	206994	FLUID, TSL	1	67	109032	SCREW, pan hd	4
35	235014	VALVE, drain	1	69	15E813	NUT, jam	1
		includes 5, 26		70	15C146	HOOK, pail	1
36	224807	BASE, valve	1	74	287489	HANDLE	1
38	243222	TRANSDUCER, pressure control	1	75	108691	PLUG, tubing	2
		includes 3		76	115099	WASHER, hose	1
39	241920	DEFLECTOR, threaded	1	77		FAN, motor	
40	287057	GEAR, reducer	1		239912	F395/495	1
		includes 8, 10			248189	595	1
41	246428	PUMP, displacement, ST	1	81	106062	WHEEL	2
42	287055	HOUSING, drive	1	82	15B999	CLIP, retaining	2
		includes 12, 47		83	104811	CAP, hub	2
43	287053	ROD, connecting	1	84	15B652	WASHER, suction	1
		includes 31, 32					
44		GEAR, crankshaft	1				
		includes 1, 9, 25					
	287054	Ultra 395/495	1				
	248231	Ultra 595	1				
45	287003	HOSE, cpld	1				
46	240794	HOSE, cpld, 1/4 in. x 50 ft	1				

▲Extra Danger and Warning tags and labels available free.

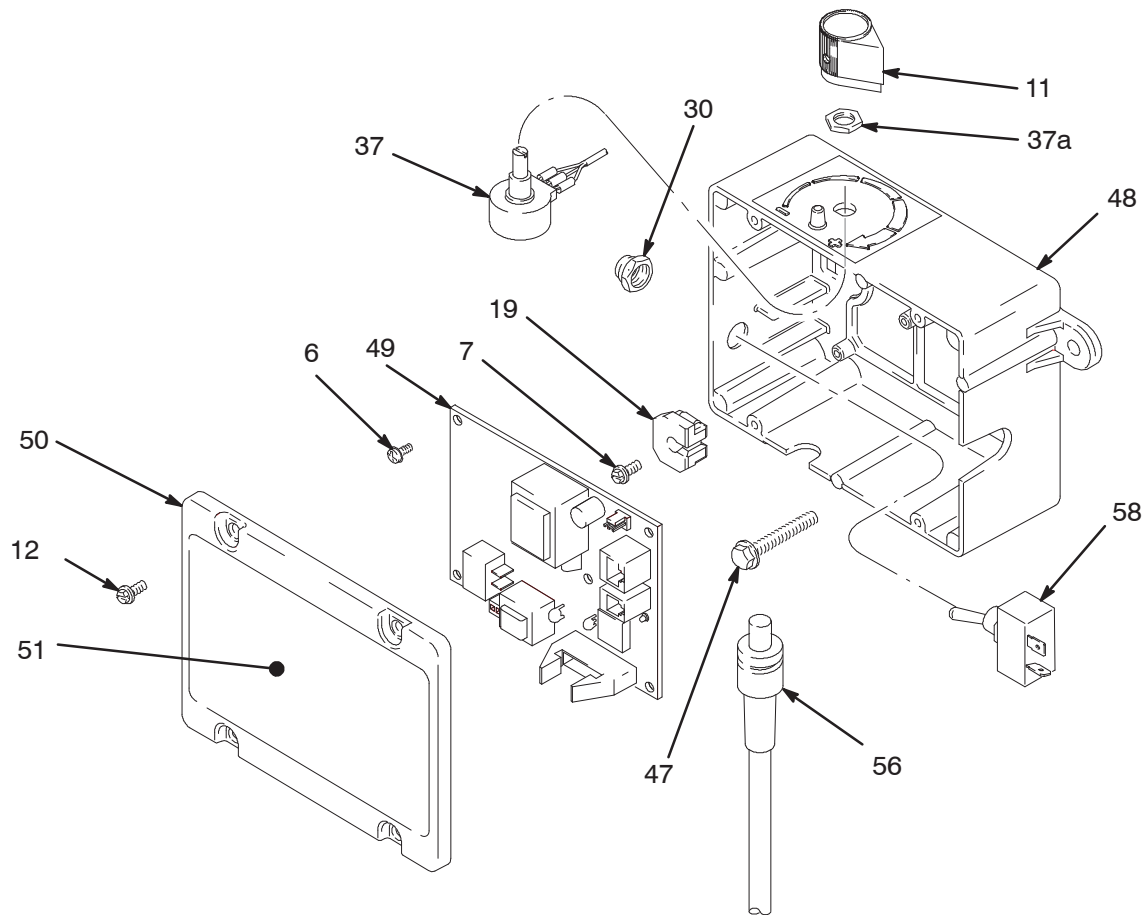
* Motor Brush Kit 287735 is available for Series A (no mark)

‡ Motor Brush Kit 236967 is available for Series B

† Other filters available: 246382, 100 mesh; 246383, 200 mesh; 246425, 30 mesh

Parts Drawing - Sprayer

Ultra 395/495/595



9537b

Parts List - Sprayer

Ultra 395/495/595

REF NO.	PART NO.	DESCRIPTION	QTY	REF NO.	PART NO.	DESCRIPTION	QTY
6	115494	SCREW, mach, phillips, pan hd	6	49		CONTROL, board, 120V ST	1
7	115498	SCREW, mch, slot/hex, wash hd	1		246379	Ultra 395/495	1
11	116167	KNOB, potentiometer	1		248179	Ultra 595	1
12	117501	SCREW, mach, hex washer hd	4	50	276882	COVER, control	1
19	15B118	BUSHING, motor wire	1	51	15K393	LABEL, control, Graco	1
30	195428	BOOT, toggle	1	56		CORD, power	1
37	256219	POTENTIOMETER, assembly	1		15J743	Ultra 395/495, Stand	1
47	117493	SCREW, mach, hex washer hd	2		15D029	Ultra 595, Lo-boy and Hi-boy	1
48		BOX, control, ST		58	195429	SWITCH, toggle	1
	276868	Ultra 395/495	1				
	15D313	Ultra 595	1				

Wiring Diagram

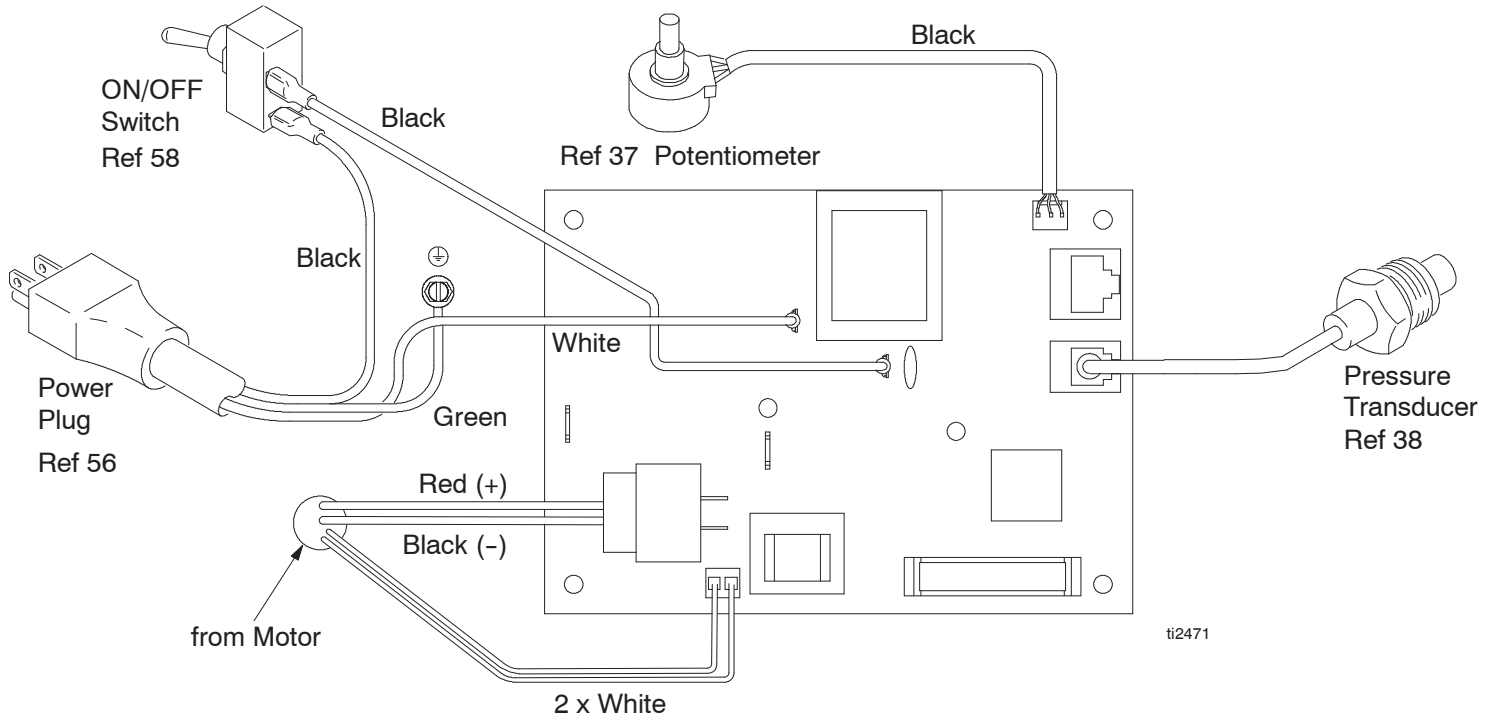
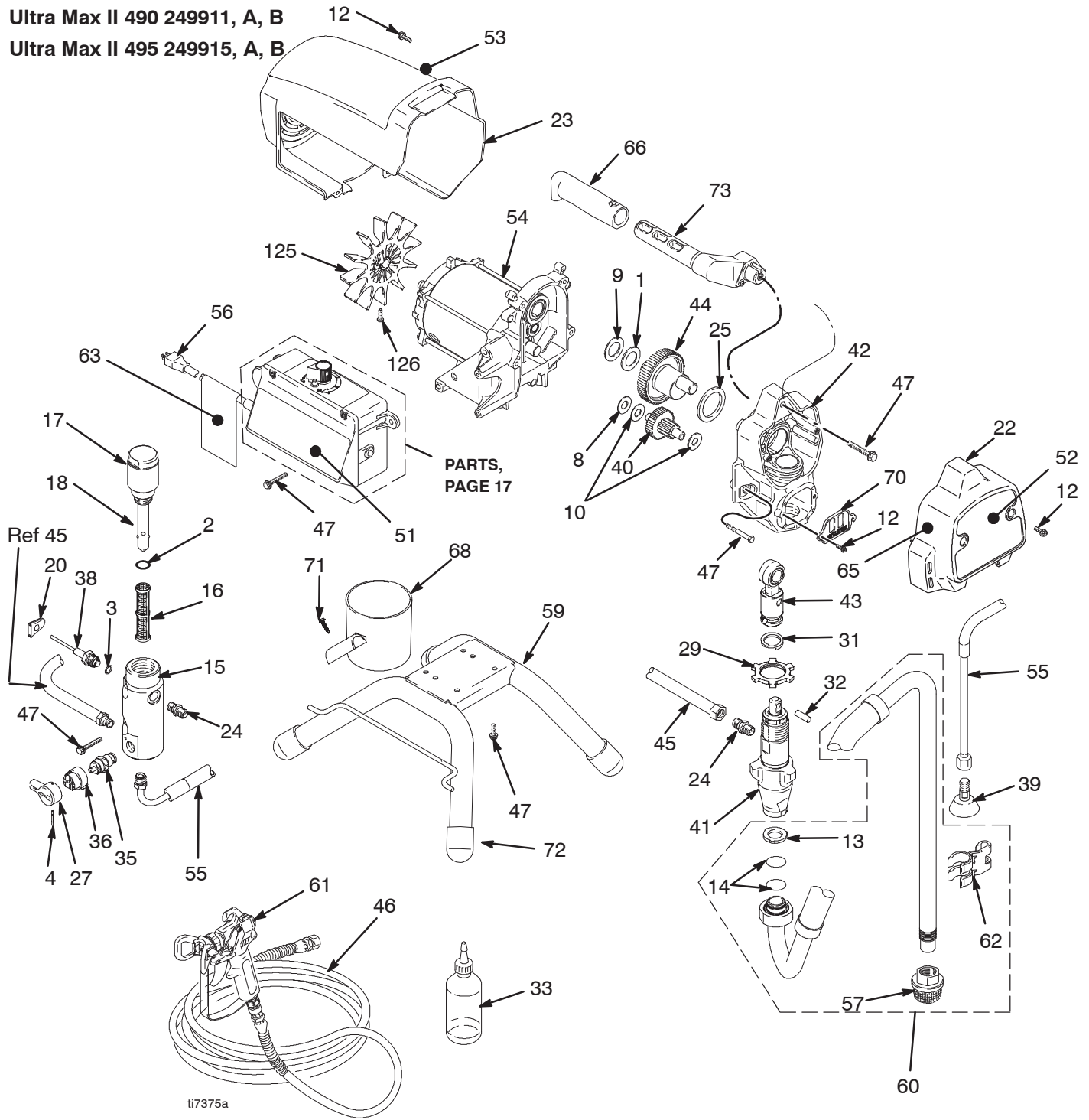


Fig. 1

Parts Drawing - Ultra Max II Sprayers

Ultra Max II 490 249911, A, B
Ultra Max II 495 249915, A, B



Parts List - Sprayer

Ultra Max II 490: 249911, A, B

Ultra Max II 495: 249915, A, B

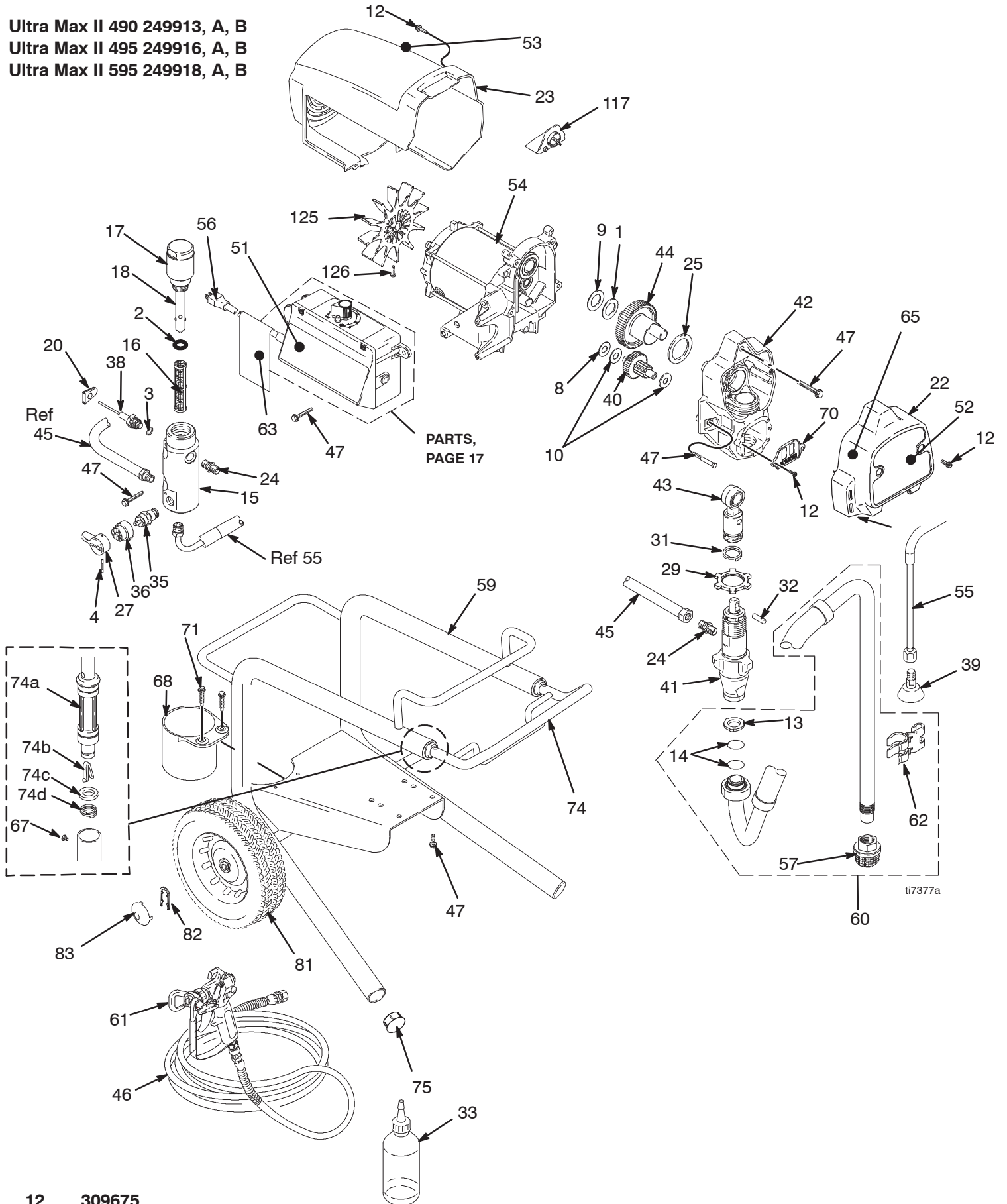
Ref No.	Part No.	Description	Qty	Ref No.	Part No.	Description	Qty
1	107434	BEARING, thrust	1	44	287054	GEAR, crankshaft	1
2	117828	PACKING, o-ring	1			includes 1, 9, 25	
3	111457	PACKING, o-ring	1	45	287003	HOSE, cpld	1
4	111600	PIN, grooved	1	46	240794	HOSE, cpld, 1/4 in. x 50 ft	1
8	116073	WASHER, thrust	1	47	117493	SCREW, mach, hex washer hd	13
9	116074	WASHER, thrust	1	51	15K383	LABEL, Ultra Max II Smart Control	1
10	116079	BEARING, thrust	2	52		LABEL, front, Graco	
12	117501	SCREW, mach, hex washer hd	8		15K376	490	1
13	115099	WASHER, hose	1		15K371	495	1
14	117559	O-RING	2	53		LABEL, side, Graco	1
15	15G455	MANIFOLD, ST Pro	1		15K376	490	1
16	246384†	FILTER, fluid, 60 mesh	1		15K377	495	1
17	287902	KIT, repair, filter cap, includes 18	1	54	287805	MOTOR, 120V, includes 125, 126	1
18		INSERT, filter	1	55	246381	HOSE, drain, ST stand	1
20	15B120	GROMMET, transducer	1			includes 39, 62	
22	287901	COVER, front, Graco, paint	1	56	15J743	CORD, power, 490/495 Stand	1
		includes 12, 65		57	246385	STRAINER, 7/8-14 unf	1
23	287900	SHIELD, motor, painted, includes 12	1	59	15E823	FRAME, standmount	1
24	162453	NIPPLE, (1/4 npsm x 1/4 npt)	2	60	246386	KIT, hose suction	1
25	180131	BEARING, thrust	1			includes 13, 14, 57, 62	
27	187625	HANDLE, valve, drain	1	61	246220	GUN, includes manual 309639	1
29	195150	NUT, jam, pump	1	62	276888	CLIP, drain line	1
31	196750	SPRING, retaining	1	63	15H085▲	LABEL, danger	1
32	196762	PIN, straight	1	65	195793▲	LABEL, warning	1
33	206994	FLUID, TSL	1	66	116139	GRIP, handle	1
34▲	222385	TAG Warning (not shown)	1	68	287903	CUP, suction/drain	1
35	235014	VALVE, drain	1	70	15B589	COVER, pump rod	1
		includes 5, 26		71	115723	SCREW, drill, hex washer head	1
36	224807	BASE, valve	1	72	15G857	CAP, leg	4
38	243222	TRANSDUCER, pressure control	1	73	276864	HANDLE, sprayer	1
		includes 3				includes 47, 66	
39	241920	DEFLECTOR, threaded	1	125	15D088	FAN, motor	1
40	287057	GEAR, reducer	1	126	115477	SCREW	1
		includes 8, 10					
41	246428	PUMP, displacement, ST	1				
		includes 32					
42	287899	HOUSING, drive	1				
		includes 12, 70					
43	287053	ROD, connecting	1				
		includes 31, 32					

▲ Extra Danger and Warning tags and labels available free.

† Other filters available: 246382, 100 mesh; 246383, 200 mesh; 246425, 30 mesh

Parts Drawing - Sprayer

Ultra Max II 490 249913, A, B
Ultra Max II 495 249916, A, B
Ultra Max II 595 249918, A, B



Parts List - Sprayer

Ultra Max II 490: 249913, A, B

Ultra Max II 495: 249916, A, B

Ultra Max II 595: 249918, A, B

Ref

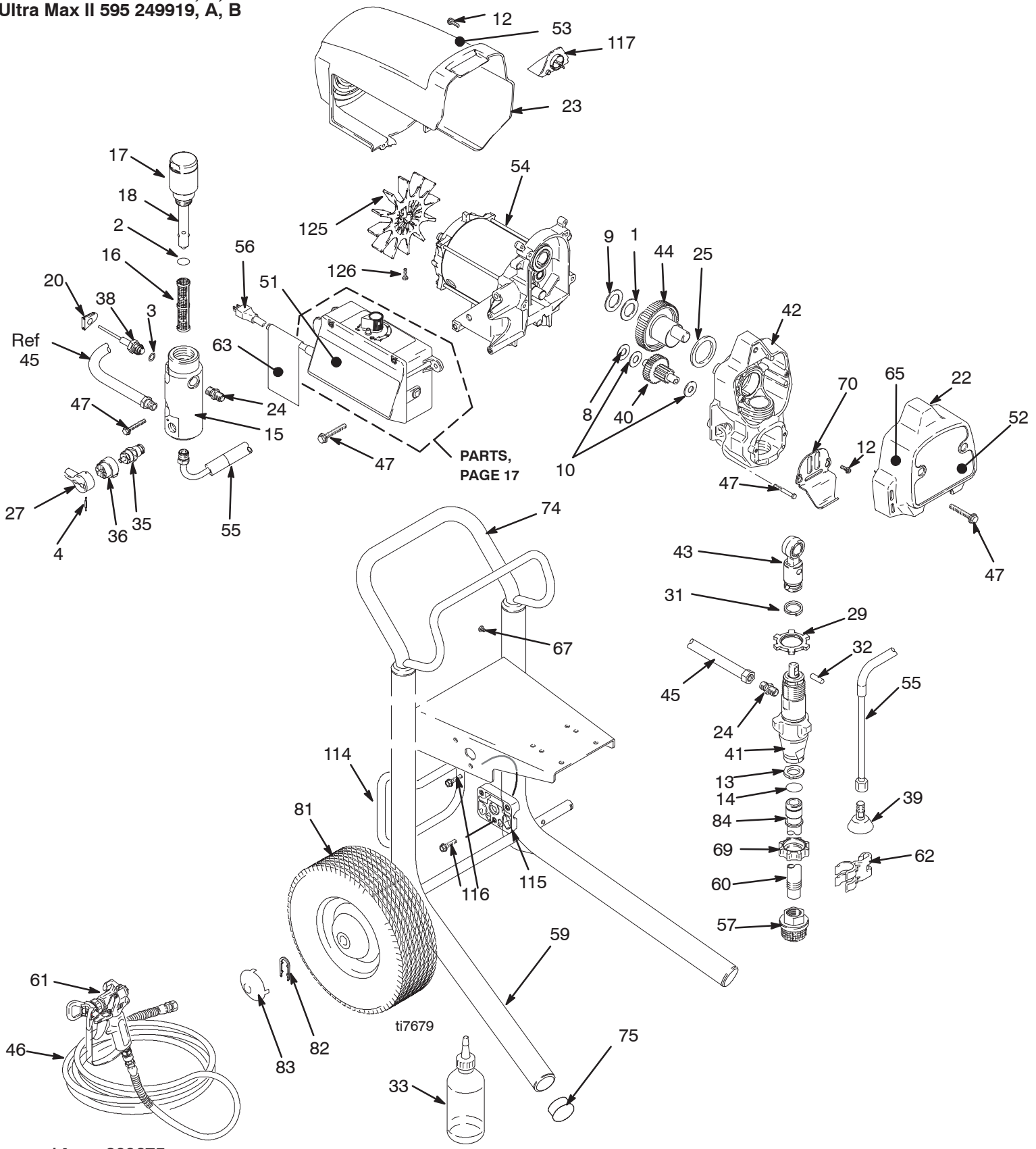
Ref No.	Part No.	Description	Qty	Ref No.	Part No.	Description	Qty
1	107434	BEARING, thrust	1	52		LABEL, front, Graco	
2	117828	PACKING, o-ring	1		15K376	490	1
3	111457	PACKING, o-ring	1		15K371	495	1
4	111600	PIN, grooved	1		15K370	595	1
8	116073	WASHER, thrust	1	53		LABEL, side, Graco	
9	116074	WASHER, thrust	1		15K376	490	1
10	116079	BEARING, thrust	2		15K377	495	1
12	117501	SCREW, mach, hex washer hd	8		15K378	595	1
13	115099	WASHER, hose	1	54		MOTOR, 120V	
14	117559	O-RING	2			includes 125, 126	
15	15G455	MANIFOLD, ST Pro	1		287805	490/495	1
16	246384†	FILTER, fluid, 60 mesh	1		287807	595	1
17	287902	KIT, repair, filter cap, includes 18	1	55	246381	HOSE, drain, ST stand	1
18		INSERT, filter	1			includes 39, 62	
20	15B120	GROMMET, transducer	1	56	15J743	CORD, power, 490/495 (Lo/Hi Boy)	1
22	287901	COVER, front, Graco, paint	1		15D029	CORD, power, 595	1
		includes 12, 65		57	246385	STRAINER, 7/8-14 unf	1
23	287900	SHIELD, motor, painted	1	59	246250	FRAME, cart, LO	1
		includes 12		60	246386	KIT, hose suction	1
24	162453	NIPPLE, (1/4 npsm x 1/4 npt)	2			includes 13, 14, 57, 62	
25	180131	BEARING, thrust	1	61	246220	GUN, includes manual 309639	1
27	187625	HANDLE, valve, drain	1	62	276888	CLIP, drain line	1
29	195150	NUT, jam, pump	1	63▲	15H085	LABEL, danger	1
31	196750	SPRING	1	65▲	195793	LABEL, warning	1
32	196762	PIN, straight	1	67	109032	SCREW, pan hd	4
33	206994	FLUID, TSL	1	68	15B870	CUP, suction/drain	1
34▲	222385	TAG, warning (not shown)	1	70	15B589	COVER, pump rod	1
35	235014	VALVE, drain	1	71	115723	SCREW, drill	2
		includes 5, 26		74	287488	HANDLE, assembly	1
36	224807	BASE, valve	1	74a	195501	SLEEVE, cart	2
38	243222	TRANSDUCER, pressure control	1	74b	178565	BUTTON, snap	2
		includes 3		74c	195673	WASHER	2
39	241920	DEFLECTOR, threaded	1	74d	103117	RING, retaining	2
40	287057	GEAR, reducer	1	75	107310	PLUG, tubing	2
		includes 8, 10		81	195766	WHEEL, semi pneumatic	2
41	246428	PUMP, displacement, ST	1	82	15B999	CLIP, retaining	2
42	287899	HOUSING, drive	1	83	104811	CAP, hub	2
		includes 12, 47, 76		117	15G447	PLUG, hole	1
43	287053	ROD, connecting	1	125	15D088	FAN, motor	1
		includes 31, 32		126	115477	SCREW	1
44		GEAR, crankshaft					
		includes 1, 9, 25					
	287054	490/495	1				
	248231	595	1				
45	287003	HOSE, cpld	1				
46	240794	HOSE, cpld, 1/4 in. x 50 ft	1				
47	117493	SCREW, mach, hex washer hd	12				
51	15G827	LABEL, Ultra Max II Smart Control	1				

▲ Extra Danger and Warning tags and labels available free.

† Other filters available: 246382, 100 mesh; 246383, 200 mesh; 246425, 30 mesh

Parts Drawing - Sprayer

Ultra Max II 490 249914, A, B
 Ultra Max II 495 249917, A, B
 Ultra Max II 595 249919, A, B



Parts List - Sprayer

Ultra Max II 490: 249914, A

Ultra Max II 495: 249917, A

Ultra Max II 595: 249919, A

Ref

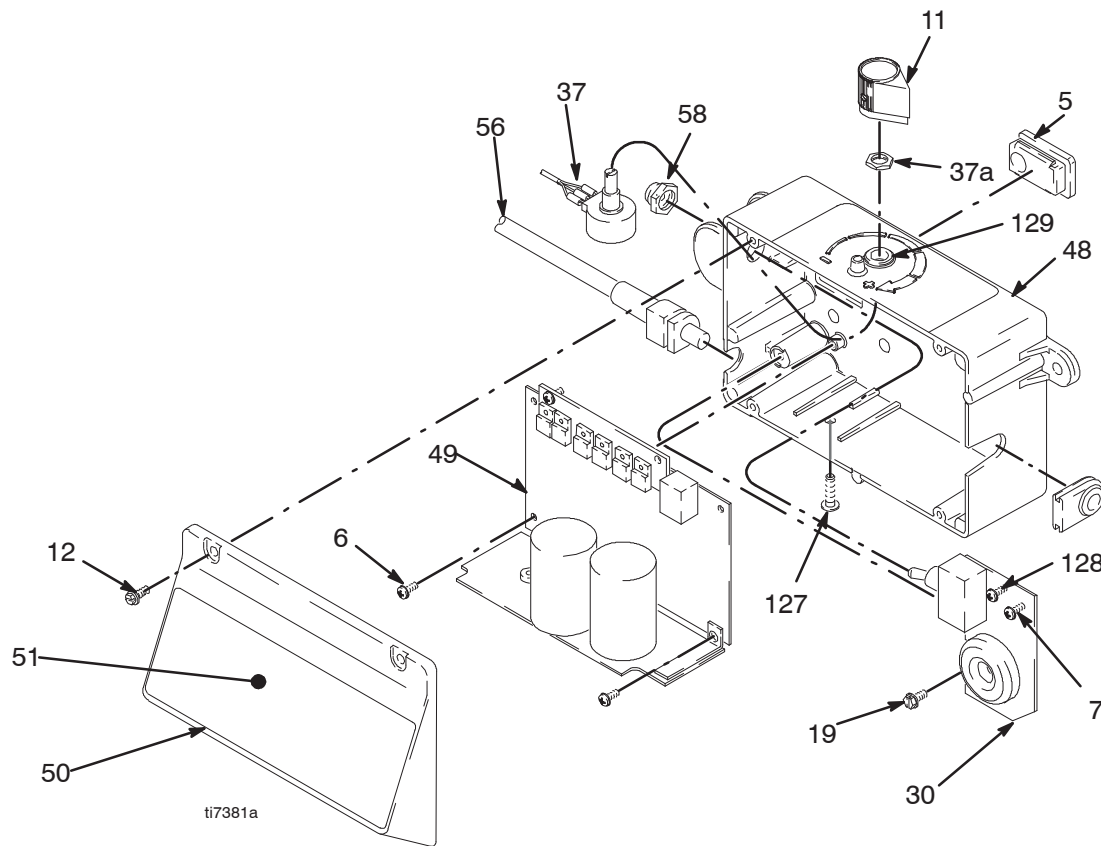
Ref No.	Part No.	Description	Qty	Ref No.	Part No.	Description	Qty
1	107434	BEARING, thrust	1	47	117493	SCREW, mach, hex washer hd	12
2	117828	PACKING, o-ring	1	51▲	15G827	LABEL, Ultra Max II Smart Control	1
3	111457	PACKING, o-ring	1	52		LABEL, front, Graco	
4	111600	PIN, grooved	1		15K372	490	1
8	116073	WASHER, thrust	1		15K371	495	1
9	116074	WASHER, thrust	1		15K370	595	1
10	116079	BEARING, thrust	2	53		LABEL, side, Graco	1
12	117501	SCREW, mach, hex washer hd	8		15K376	490	1
13*	115099	WASHER, hose	1		15K377	495	1
14*	103413	O-RING	1		15K378	595	1
15	15G455	MANIFOLD, ST Pro	1	54		MOTOR, 120V	
16	246384†	FILTER, fluid, 60 mesh	1			includes 125, 126	
17	287902	KIT, repair, filter cap, includes 18	1		287805	490/495	1
18		INSERT, filter	1		287807	595	1
20	15B120	GROMMET, transducer	1	55	244240	HOSE, drain	1
22	287901	COVER, front, Graco, paint	1			includes 39	
23	287900	SHIELD, motor, painted	1	56	15J743	CORD, power, 490/495 (Lo/Hi Boy)	1
		includes 12			15D029	CORD, power, 595	1
24	162453	NIPPLE, (1/4 npsm x 1/4 npt)	2	57*	246385	STRAINER, 7/8-14 unf	1
25	180131	BEARING, thrust	1	59	287779	FRAME, cart, HI	1
27	187625	HANDLE, valve, drain	1	60*	15B506	TUBE, suction	1
29	195150	NUT, jam, pump	1	61	246220	GUN, includes manual 309639	1
31	196750	SPRING, retaining	1	62	276888	CLIP, drain line	1
32	196762	PIN, straight	1	63▲	15H085	LABEL, danger	1
33	206994	FLUID, TSL	1	65▲	195793	LABEL, warning	1
34▲	222385	TAG, warning (not shown)	1	67	109032	SCREW, pan hd	4
35	235014	VALVE, drain	1	69*	15E813	NUT, jam	1
		includes 5, 26		70	15C146	HOOK, pail	1
36	224807	BASE, valve	1	74	287489	HANDLE	1
38	243222	TRANSDUCER, pressure control	1	75	108691	PLUG, tubing	2
		includes 3		81	106062	WHEEL	2
39	241920	DEFLECTOR, threaded	1	82	15B999	CLIP, retaining	2
40	287057	GEAR, reducer	1	83	104811	CAP, hub	2
		includes 8, 10		84*	15B652	WASHER, suction	1
41	246428	PUMP, displacement, ST	1	114	15D281	HANGER, stand	1
42	287899	HOUSING, drive	1	115	15C982	CAM, cart	2
		includes 12, 47		116	114531	SCREW, mch, hex	4
43	287053	ROD, connecting	1	117	15G447	PLUG, tubing	2
		includes 31, 32		125	15D088	FAN, motor	1
44		GEAR, crankshaft	1	126	115477	SCREW	1
		includes 1, 9, 25					
	287054	490/495	1				
	248231	595	1				
45	287003	HOSE, cpld	1				
46	240794	HOSE, cpld, 1/4 in. x 50 ft	1				

▲ Extra Danger and Warning tags and labels available free.

† Other filters available: 246382, 100 mesh; 246383, 200 mesh; 246425, 30 mesh

* Included in Kit 246387

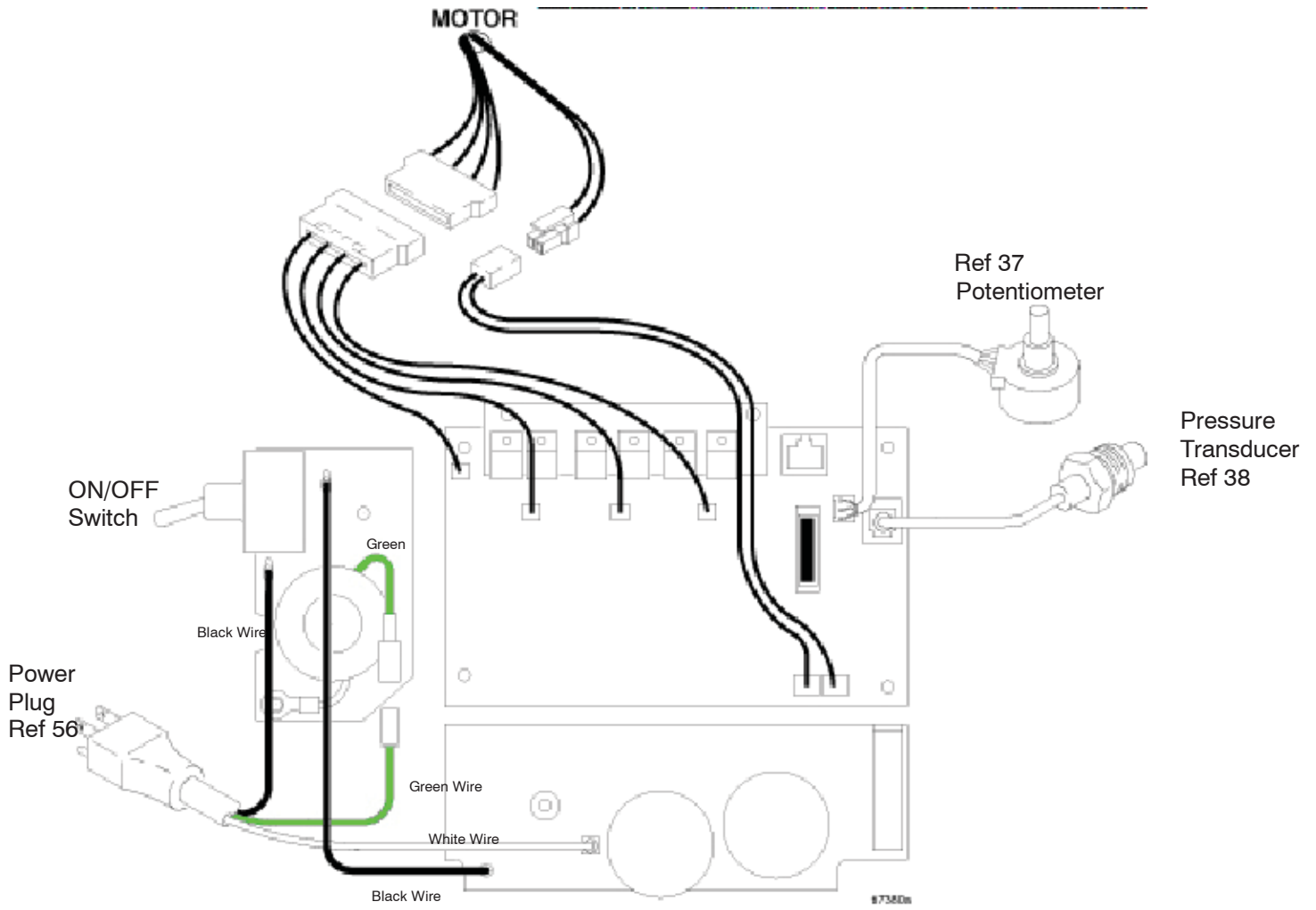
Parts Drawing - Sprayer



Parts List - Sprayer

REF NO.	PART NO.	DESCRIPTION	QTY	REF NO.	PART NO.	DESCRIPTION	QTY
5	15G562	BUSHING, control box	1	48		BOX, control, ST (includes 11, 30, 37, 49, 58)	
6	115494	SCREW, mach, phillips, pan hd	5		287905	Ultra Max II 490/495, models 249911, 239913, 249914, 249915, 249916 and 249917	1
7	15H176	SCREW	1		287906	Ultra Max II 595, model 249918 and 249919	1
11	116167	KNOB, potentiometer	1	49	287909	KIT, control board, 120V ST	1
12	117501	SCREW, mach, hex washer hd	4	50	277229	COVER, control	1
19	115498	SCREW, mch, slot, hex, wash hd	1	51▲	15K383	LABEL, Ultra Max II Smart Control	1
30	287911	BOARD, filter, 120V GFI	1	56	253366	CORD, power, 490/495	
37	236352	POTENTIOMETER, adjust, pressure includes 37a	1		253367	CORD, power, Lo/Hi-boy 490/495	1
37a	112382	NUT, potentiometer	1		253371	CORD, power, 595	1
				58	195428	BOOT, toggle	1
				127	120165	SCREW, mach, phillips, pan hd	1
				128	120313	SCREW	1
				129	158674	O-RING	1

Wiring Diagram



TO PLACE AN ORDER OR FOR SERVICE, contact your Graco distributor, or call this number to identify the distributor near you: **1-800-690-2894 Toll Free**

All written and visual data contained in this document reflects the latest product information available at the time of publication. Graco reserves the right to make changes at any time without notice.

For patent information, see www.graco.com/patents.
Original instructions. This manual contains English. MM 309675

Graco Headquarters: Minneapolis

International Offices: Belgium, Korea, China, Japan

GRACO INC. AND SUBSIDIARIES P.O. BOX 1441 MINNEAPOLIS, MN 55440-1441 USA
Copyright 2011, Graco Inc. All Graco manufacturing locations are registered to ISO 9001

<http://www.graco.com>

Revised May 2013