



Click Here To View  
Item at

[www.GapPower.com](http://www.GapPower.com)

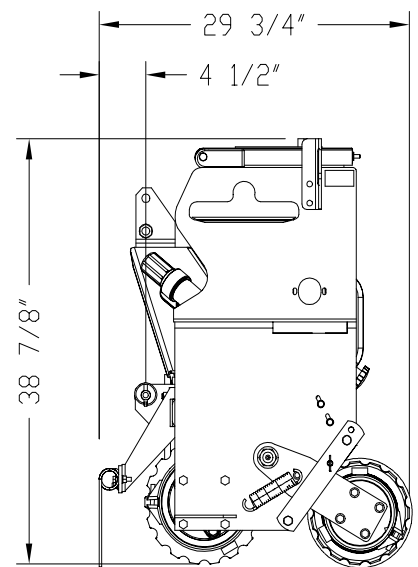
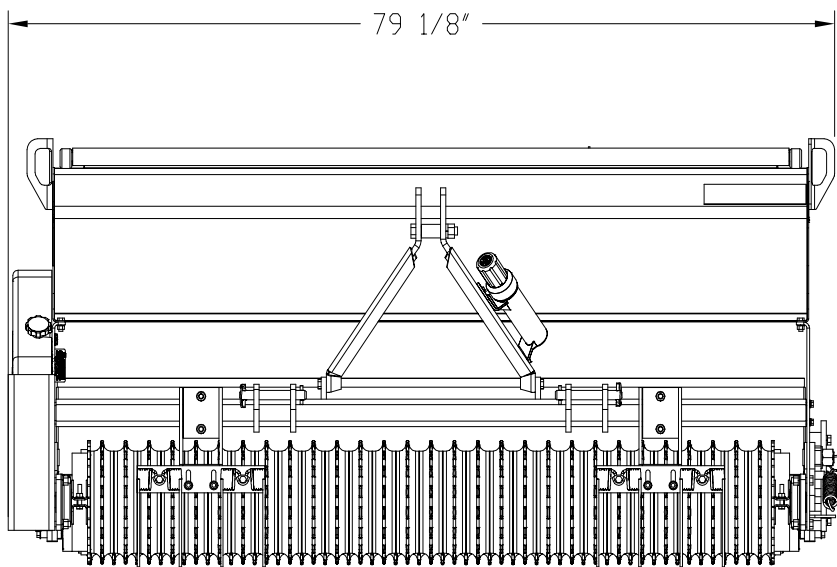
*Sales • Rentals  
Parts & Service*

# Specifications & Capacities

## Primary Seeders

### PS1572 Model

	PS1572
Seeding Width (Broadcast)	70 1/2"
Overall Width	79 1/8"
Overall Height	38 7/8"
Overall Length	2943/4"
Empty Weight	1165#
Seedbox Capacity	1 Bushel/Foot (6 bushel)
3-Point Tractor Hitch	Category 1; Quick-Hitch Adaptable
Main Seedbox Construction	Continuous welded for water tight construction
Lid construction	Heavy duty precision fit with seed splash guard
Ground Drive Metering	Driven from right side of front roller with #40 Roller chain
Seed Cup Drive	Chain Driven from right side of front roller
Seed Cup Agitation	Chain driven paddle type agitators above seed cups
Seed Cups	10 Fluted cups for Accurate Metering
Seed Settings	Wide range of calibration
Seed Drop	Wind guarded
Track Removers	Double torsion spring height adjustable and replaceable Two each
Bed Forming Front Packer Rollers	12" OD notched, cast iron, 29 each with free floating mounting tube and 1 1/2" sealed greaseable bearings
Rear Packer Rollers	9 1/2" OD notched, cast iron, 30 each with free floating mounting tube and 1" greaseable bearing mounted on pivoting spring loaded arms



21496

*Designs, specifications, features and information are subject to change without notice.*