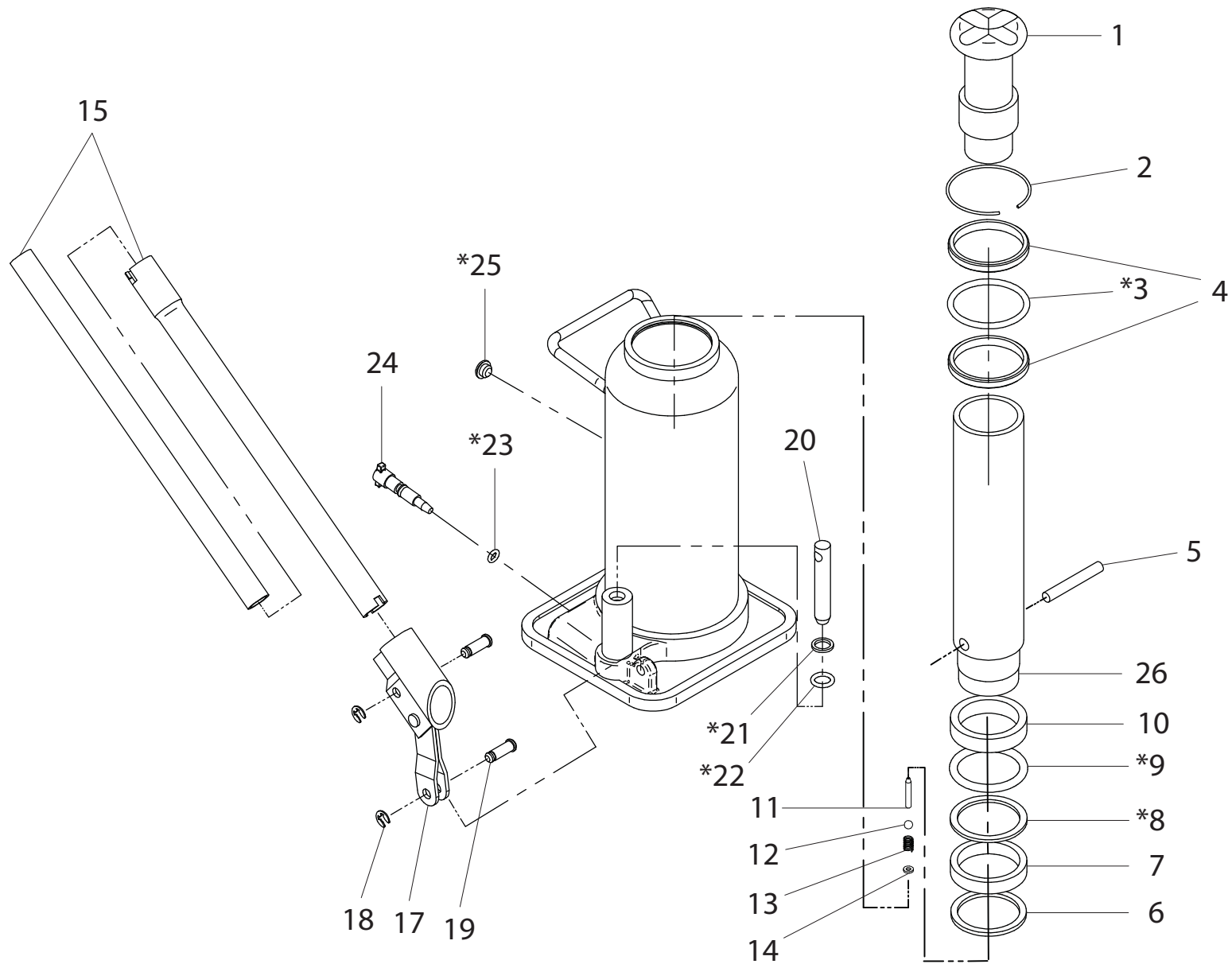




Click Here To View
Item at

www.GapPower.com

*Sales • Rentals
Parts & Service*



REPLACEMENT
PARTS

MODEL NO.
76520A

CAPACITY
20 TON

DESCRIPTION
Bottle Jack



INDEX NO.	DESCRIPTION	PART NO.	REQ'D NO.
1	Extension Screw Assembly	621201	1
2	Snap Ring	621202	1
*3	O-Ring, Ram Wiper	621203	1
4	Upper Bearing	621204	2
5	Limit Pin	621206	1
6	Ram Bearing (A)	621207	1
7	Nylon Spacer	621208	1
*8	Back-up Ring	621209	1
*9	O-Ring, Ram, M6 x 47	621210	1
10	Ram Bearing (B)	621211	1
11	Valve Pin	621212	1
12	Check Ball, 1/4" Dia.	621213	1
13	Spring	621214	1
14	Retainer	621215	1
15	Two Piece Handle	621216	1
17	Lever Linkage Assembly	621218	1
18	Retaining Ring, 8mm	621219	2
19	Pin Link	621220	2
20	Pump Plunger	621221	1
*21	Back-up Ring	621222	1
*22	O-Ring M3 x 12	621223	1
*23	O-Ring, M2.4 x 6.3	621224	1
24	Release Valve	621225	1
*25	Oil Filler Plug	603192	1
26	Ram	621227	1
	Repair Kit	621253	

* Designates parts included in repair kit #621253.

REPLACEMENT
PARTS

MODEL NO.
76520A

CAPACITY
20 TON

DESCRIPTION
Bottle Jack

