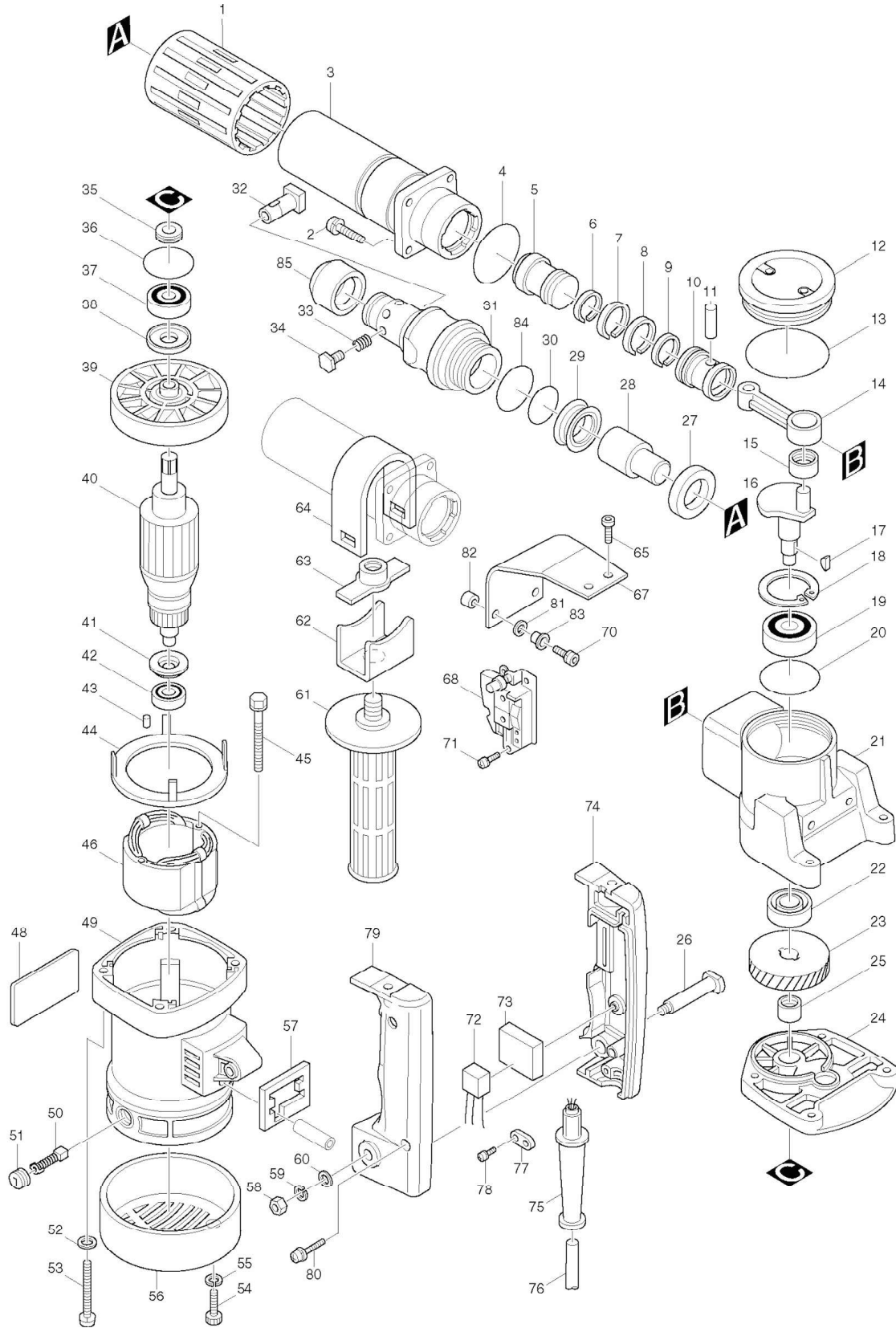




[Click Here To View](#)
[Item at](#)

www.GapPower.com

*Sales • Rentals
Parts & Service*





Parts Breakdown

HM0810B

Products with multiple versions are listed in subsiding order with the newest version on top not indented

<u>Fig #</u>	<u>Part ID</u>	<u>Part Name</u>	<u>Quantity</u>
1	421541-7	BARREL COVER, HM0810B	1
	421196-8	BARREL COVER, HM0810B,T1	
2	922341-3	H.S.H. BOLT M6X25, HM1100C	4
3	151457-9	BARREL COMPLETE, HM0810B	1
	151413-9	BARREL CPL.,HM0810B	
4	213554-0	O RING, HR2511	1
5	321929-0	STRIKER, HM0810B	1
6	412073-5	INNER RING 26, HM0810B	1
7	412053-1	PISTON RING 30, HM0810B	1
9	321514-9	INNER RING 26, HM0810B	1
10	321958-3	PISTON, HM0810B	1
11	256165-8	PIN 8, HM0810B	1
12	155977-5	CRANK CAP CPL., HM0810B-T2	1
13	213654-6	O RING 60, HR3851	1
14	312956-8	ROD, HR3851	1
15	212108-0	N. BEARING 1212, HR3851	1
16	321954-1	CRANK SHAFT, HM0810B	1
17	254001-2	WOODRUFF KEY 4, LS1016L	1
18	962203-3	RETAINING RING R-47, HM0810B	1
19	211279-0	BALL BEARING 6303LLU, HM0810B	1
	211264-3	BALL BEARING 6303, HM0810B,T1	
20	213606-7	O RING 48, HR2511	1
21	157627-8	CRANK H. COMPL, HM0810B	1
22	213260-7	OIL SEAL 17, HM0810B	1
23	221669-9	HELICAL GEAR 41, HM0810B	1
24	157628-6	GEAR HOUSING, HM0810B	1
25	212102-2	N. BEARING 1210, HM0810B	1
26	321210-9	HANDLE SHAFT, HR3851	1
27	253955-0	F. WASHER 24, HM0810B	1
28	324162-3	IMPACT BOLT, HM0810B	1
	322324-7	IMPACT BOLT, HM0810B	
29	213428-5	X-RING 28, HR5000	1
	213420-1	X RING 28, HR5000-T1	
30	213411-2	O RING 27, HR3851	1
31	193005-8	TOOL HOLDER, HM0810B	1
	323790-1	TOOL HOLDER, HM0810B-T2	
	322323-9	TOOL HOLDER, HM0810B, T1	
32	331301-8	TOOL RETAINER, HM0810B	1
33	231375-8	COMP. SPRING 15, HR3851	1
34	265321-9	HEX BOLT M8X12, HM0810B-T2	1
35	331194-3	SEAL, HM0810B	1
36	213459-4	O RING 32, 5007F	1
37	211106-1	B. BEARING 6201LLB, 9227C	1
	211144-3	BALL BEARING 6201LLB,9035	
	211106-1	B. BEARING 6201LLB, 9227C	
38	213102-5	DUST SEAL 12, 5007F	1
39	241827-1	FAN 82, HM0810B	1
40	516146-7	ARMATURE ASS'Y, HM0810B	1
41	681625-5	INS. WASHER, 5007F	1
42	211031-6	BALL BEARING 608LLB, 9227C	1
43	263014-2	RUBBER PIN 4, 9217SPC	1
44	410509-8	BAFFLE PLATE, HM0810B	1
45	265345-5	HEX. BOLT M5X60, HM0810B	2
46	522506-3	FIELD ASS'Y 115V, HM0810B	1
48	897957-2	N/A	1
	856541-2	NAME PLATE, HM0810B	
49	159634-7	MOTOR HOUSING, HM0810B	1
	157629-4	MOTOR HOUSISNG, HM0810B	



Parts Breakdown

HM0810B

50	CB105 194975-4 181038-5	CARBON BRUSH SET, 194975-4 CARBON BRUSH SET, 194975-4 A.C.CARBON BRUSH CB-105, HM0810B	1
51	643600-9	BRUSH CAP 6-10, 9005B	2
52	941151-9	F. WASHER 6, 5007NB	4
53	922371-4	H.S.H. BOLT M6X50, HM1211	4
54	922226-3	H. S. H. BOLT M5X18, LS1016L	2
55	942101-7	SPRING WASHER 5, 9005B	2
56	284059-7	REAR COVER, HM0810B	1
57	423257-0 413020-9	SPONGE 38.5-46, HM0810B SPONGE 38.5-46, HR3851, T1	1
58	931302-2	HEX NUT M6, HR2400	1
59	942151-2	SPRING WASHER 6, 5007NB	1
60	941151-9	F. WASHER 6, 5007NB	1
61	273457-0	GRIP 32, HM0810B	1
62	341922-8	GRIP BASE, HM0810B	1
63	321497-3	CLAMP NUT, HM0810B	1
64	341914-7	GRIP CLAMP, HM0810B	1
65	922316-2	HEX BOLT M6X14, HR3851	2
67	343753-1	CUSHION PLATE, HM0810B	2
68	651051-2	SWITCH, HM0810B	1
70	265914-2	H.S.H.BOLT M6X25, HM1211B	2
71	911109-2	P.H. SCREW M4X8, HR2210	2
74	182590-6 181816-3	HANDLE SET, HM0810B HANDLE SET, HM0810B	1
75	682567-6 682503-2	CORD GUARD 8, HM0810B CORD GUARD 8-90, 9903	1
76	660254-7 660023-6	N/A CORD (2X18X16 SJ), HR2010	1
77	687002-9	STRAIN RELIEF, HK1810	1
78	911133-5	P.H. SCREW M4X18, N9501B	2
79	182590-6 181816-3	HANDLE SET, HM0810B HANDLE SET, HM0810B	1
80	911243-8	P.H. SCREW M5X25, GA7911	1
81	262051-3	RUBBER RING, HR3851	2
82	262052-1	RUBBER RING 9, HR3851	2
83	257636-8	SLEEVE 6, HR3851	2
84	213508-7	O RING 38, HM0810B	1
85	421596-2	CAP, HM0810B	1
	267203-1	FLAT WASHER 43, HM0810B	1
	150878-2	N/A	
	150589-9	PLASTIC TOOL CASE, HR3851, HR5000	
	150598-8	PLASTIC CASE, HM0810B	
	783202-0	HEX WRENCH 4, 2107F	1
	810244-2	N/A	1