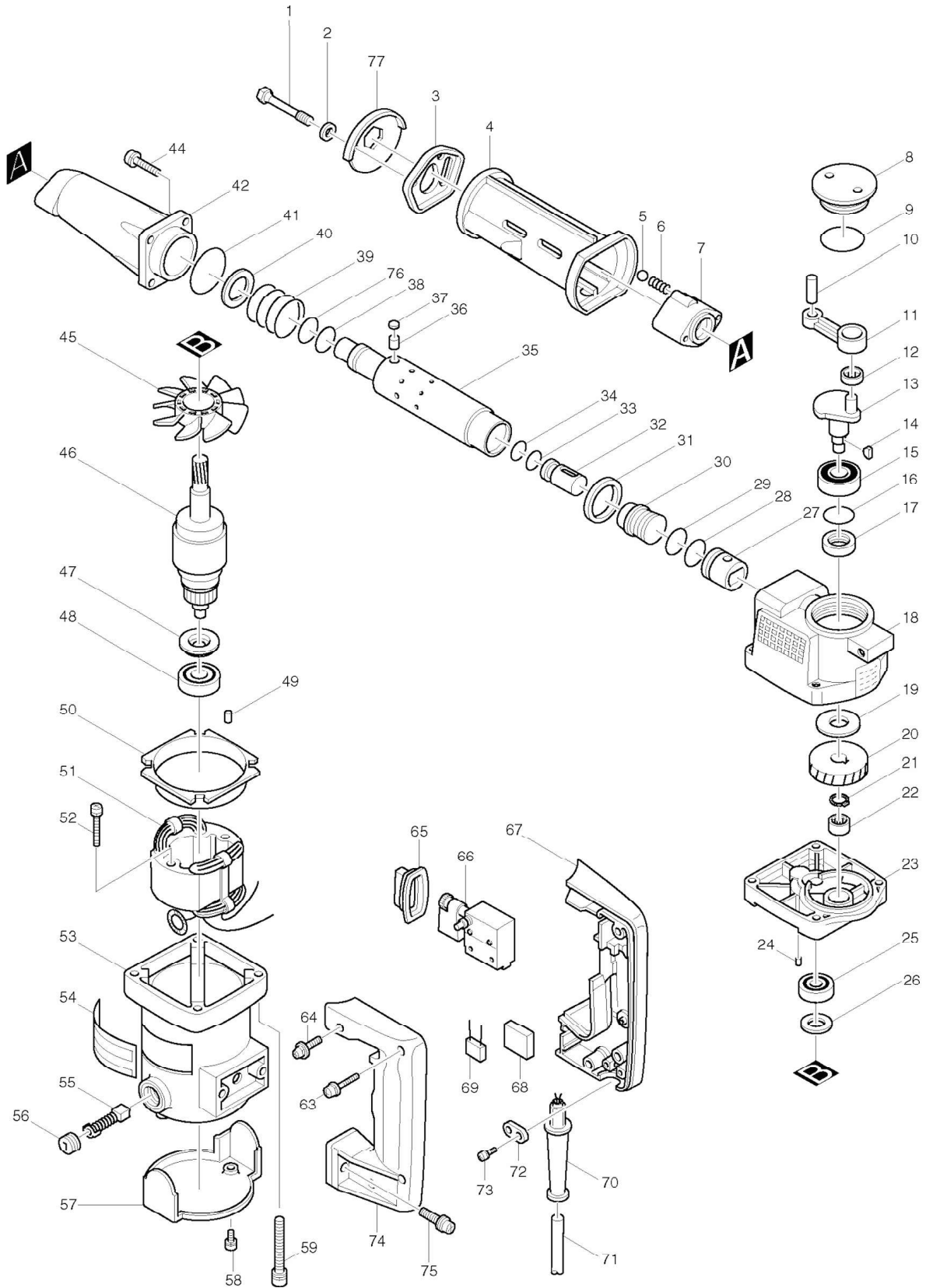




Click Here To View  
Item at

[www.GapPower.com](http://www.GapPower.com)

*Sales • Rentals  
Parts & Service*





## Parts Breakdown

HK1810

Products with multiple versions are listed in subsiding order with the newest version on top not indented

<u>Fig #</u>	<u>Part ID</u>	<u>Part Name</u>	<u>Quantity</u>
1	265393-4	HEX BOLT M6X49, HK1810	2
2	267017-8	F. WASHER, JS8000	2
3	342910-8	TOOL RETAINER, HK1800	1
4	414175-3	BARREL COVER, HK1810	1
5	216011-7	STEEL BALL 5.6, LXDT08	1
6	231403-9	COMP. SPRING 3, HK1800L	1
7	321859-5	TOOL HOLDER, HK1800L	1
8	410734-1	CRANK CAP, HK1810	1
9	213554-0	O RING, HR2511	1
10	256099-5	PIN 6, HR2811F	1
11	315146-2	ROD, HR2511	1
12	212017-3	N. BEARING 810, JN1600	1
	212025-4	.N. BEARING 810, HR2511	
13	321855-3	CRANKSHAFT, HK1800L	1
14	254031-3	WOODRUFF KEY 3, 6801DBV	1
15	211232-6	BALL BEARING 6002LLU, HK0500	1
	211201-7	B. BEARING 6002LLB, 6510LVR	
16	213459-4	O RING 32, 5007F	1
17	213219-4	OIL SEAL 15, HK1800L	1
18	157873-3	CRANKHOUSING, HK1800	1
19	253887-1	F. WASHER 15, HK1810	1
20	221745-9	H. GEAR 36, HK1800	1
21	961052-5	RETAINING RING S-12, LS1016L	1
22	212052-1	N. BEARING 1010, 5007F	1
23	157782-6	GEAR HOUSING, HK1800	1
24	263005-3	RUBBER PIN 6, LS1016L	1
25	211101-1	BALL BEARING 6001LLB,9218PB	1
26	253748-5	F. WASHER 12, HK1810	1
27	321685-2	PISTON, HR2511	1
28	213308-5	O RING 19, HK1810	1
30	321854-5	STRIKER, HK1800	1
31	257117-2	RING 28, HK1800	1
32	324680-1	IMPACT BOLT, HK1800	1
	321856-1	IMPACT BOLT, HK1800	
33	213111-4	O RING 12, HK1800	1
35	321857-9	CYLINDER LINER 24, HK1810	1
36	256156-9	PIN 6, HK1800	2
37	423122-3	CUSHION PLATE, HK1800	2
38	213309-3	O RING 19, HK1800	1
39	231395-2	COMP. SPRING 24, HK1800	1
40	267026-7	F. WASHER 25, HK1800	1
41	213512-6	O RING 39, HK1800	1
42	315838-3	BARREL, HK1800 (T1)	1
44	922341-3	H.S.H. BOLT M6X25, HM1100C	4
45	241820-5	FAN 67, HR1821	1
46	512851-4	ARMATURE, HK1810	1
47	681625-5	INS. WASHER, 5007F	1
48	211033-2	B. BEARING 608LB, 5007F	1
49	263014-2	RUBBER PIN 4, 9217SPC	1
50	410578-9	BAFFLE PLATE, HK1810	1
51	622566-6	FIELD, HR1821	1
	522651-4	FIELD ASS'Y	
52	911265-8	P.H. SCREW M5X40, HK1810	2
53	157553-1	MOTOR HOUSING, HK1800	1
54	855557-4	NAME PLATE, HK1810	1
55	CB105	CARBON BRUSH SET, 194975-4	1
	194975-4	CARBON BRUSH SET, 194975-4	
	181038-5	A.C.CARBON BRUSH CB-105, HM0810B	



## Parts Breakdown

HK1810

56	643600-9	BRUSH CAP 6-10, 9005B	2
57	343390-1	REAR COVER, HK1800	1
58	911211-1	P.H. SCREW M5X12, HM1500B	2
59	266252-5 265923-1	H.S.H BOLT M6X45, HK1800 H.S.H. BOLT M6X45, HK1810	4
61	941152-7	F. WASHER 6, HM1500	4
63	911243-8	P.H. SCREW M5X25, GA7911	3
64	911328-0	P.H. SCREW M6X18, HR2511	2
65	421145-5	DUST COVER, HR2511	1
66	651257-2 651345-5	SWITCH, HK1810 SWITCH, HK1810	1
67	181562-8	HANDLE SET, HR2511	1
70	682567-6 682503-2	CORD GUARD 8, HM0810B CORD GUARD 8-90, 9903	1
71	660023-6	CORD (2X18X16 SJ), HR2010	1
72	687002-9	STRAIN RELIEF, HK1810	1
73	911133-5	P.H. SCREW M4X18, N9501B	2
74	181562-8	HANDLE SET, HR2511	1
75	911343-4	P.H. SCREW M6X25, HR2511	2
76	213309-3	O RING 19, HK1800	1
77	421336-8	DUST COVER, HK1800	1
	B-07347 798264-5	2 SCALING CHISEL, HK1810 2 SCALING CHISEL, HK1800	1
	B-06921 798266-1	BULL POINT, HK1810 BULL POINT, HK1800	1
	150640-5	PLASTIC TOOL CASE, HK1810	1
	423154-0	DUST COVER, HK1810	5
	819063-3	MAKITA LABEL, DA3010F	1
	810230-3	N/A	1