



Click Here To View  
Item at

[www.GapPower.com](http://www.GapPower.com)

*Sales • Rentals  
Parts & Service*



# Illustrated Parts Manual

## **Models** **800S** **860SJ**

USA Built Machines  
S/N 0300140000 to Present  
China Built Machines  
S/N B300000100 to Present

**P/N**  
**3121270**

April 2, 2013

**ANSI**

**CE**



An Oshkosh Corporation Company



## REVISION LOG

April 21, 2011 - Original Issue Of Manual (Edited to B/M 0010575 Revision 124)

July 22, 2011 - Revised Manual (Edited to B/M 0010575 Revision 127)

October 14, 2011 - Revised Manual (Edited to B/M 0010575 Revision D)

January 10, 2012 - Revised Manual (Edited to B/M 0010575 Revision D)

June 15, 2012 - Revised Manual (Edited to B/M 0010575 Revision E)

August 2, 2012 - Revised Manual (Edited to B/M 0010575 Revision E)

January 4, 2013 - Revised Manual (Edited to B/M 0010575 Revision E)

April 2, 2013 - Revised Manual (Edited to B/M 0010575 Revision E)



# REVISION LOG

# TABLE OF CONTENTS

FIGURE NO.	TITLE	PAGE NO.
<b>SECTION 1 - FRAME .....1-1</b>		
1-1	AXLE AND STEERING INSTALLATION WITHOUT TOW PACKAGE.....	1-2
1-2	AXLE AND STEERING INSTALLATION WITH TOW PACKAGE.....	1-6
1-3	TIRE AND WHEEL DRIVE INSTALLATIONS.....	1-10
1-4	DRIVE HUB/BRAKE ASSEMBLY.....	1-14
1-5	DRIVE MOTOR ASSEMBLY (5 BOLT ASSEMBLY).....	1-18
1-6	FRAME VALVES & SHIELDS INSTALLATIONS.....	1-22
1-7	TOW PACKAGE INSTALLATION.....	1-24
<b>SECTION 2 - TURNTABLE.....2-1</b>		
2-1	CONTROL VALVES INSTALLATIONS.....	2-2
2-2	MAIN CONTROL VALVE ASSEMBLY.....	2-6
2-3	TURNTABLE AND SWING DRIVE INSTALLATION.....	2-8
2-4	SWING MOTOR/HUB ASSEMBLY.....	2-10
2-5	CATERPILLAR ENGINE INSTALLATION.....	2-14
2-6	DEUTZ ENGINE INSTALLATION.....	2-22
2-7	GM ENGINE INSTALLATION.....	2-32
2-8	PISTON PUMP ASSEMBLY.....	2-38
2-9	LOAD SENSING PUMP ASSEMBLY.....	2-42
2-10	TANK INSTALLATIONS.....	2-46
2-11	LP TANK INSTALLATIONS (GM ENGINE MACHINES ONLY).....	2-50
2-12	ROTARY COUPLING INSTALLATION.....	2-52
2-13	GROUND CONTROL BOX ASSEMBLY.....	2-54
2-14	LIMIT SWITCHES, LIGHTS & ALARM INSTALLATIONS.....	2-58
2-15	HOODS INSTALLATION (ABS).....	2-62
2-16	HOODS INSTALLATION (STEEL).....	2-68
2-17	ENGINE TRAY JACK INSTALLATION (OPTIONAL).....	2-74
2-18	2500W GENERATOR INSTALLATION - CATERPILLAR MACHINES (OPTIONAL).....	2-76
2-19	2500W GENERATOR INSTALLATION - DEUTZ MACHINES (OPTIONAL).....	2-80
2-20	2500W GENERATOR INSTALLATION - GM MACHINES (OPTIONAL).....	2-84
2-21	7500W SKYPOWER GENERATOR INSTALLATION - CATERPILLAR & DEUTZ ENGINES.....	2-88
2-22	7500W SKYPOWER GENERATOR INSTALLATION - GM ENGINES.....	2-96
<b>SECTION 3 - BOOM.....3-1</b>		
3-1	TOWER BOOM, UPRIGHT AND CYLINDERS INSTALLATION.....	3-2
3-2	MAIN BOOM INSTALLATION - 800S.....	3-6
3-3	MAIN BOOM INSTALLATION - 860SJ.....	3-10
3-4	MAIN BOOM ASSEMBLIES.....	3-14
3-5	ROTATOR ASSEMBLIES.....	3-18
3-6	PLATFORM SUPPORT & CONTROL VALVES INSTALLATIONS.....	3-22
3-7	BOOM CABLE CLAMPS INSTALLATIONS.....	3-28
<b>SECTION 4 - PLATFORM.....4-1</b>		
4-1	PLATFORM ASSEMBLIES.....	4-2
4-2	PLATFORM COMPONENTS INSTALLATION (FALL ARREST PLATFORM).....	4-8
4-3	PLATFORM CONSOLE ASSEMBLY.....	4-10
4-4	CONTROLLER ASSEMBLY (LIFT AND SWING).....	4-16
4-5	CONTROLLER ASSEMBLY (DRIVE AND STEER).....	4-20
4-6	SOFT TOUCH SYSTEM INSTALLATION (OPTIONAL).....	4-24
4-7	PLATFORM BUMPER PADDING INSTALLATION (OPTIONAL).....	4-26

# TABLE OF CONTENTS

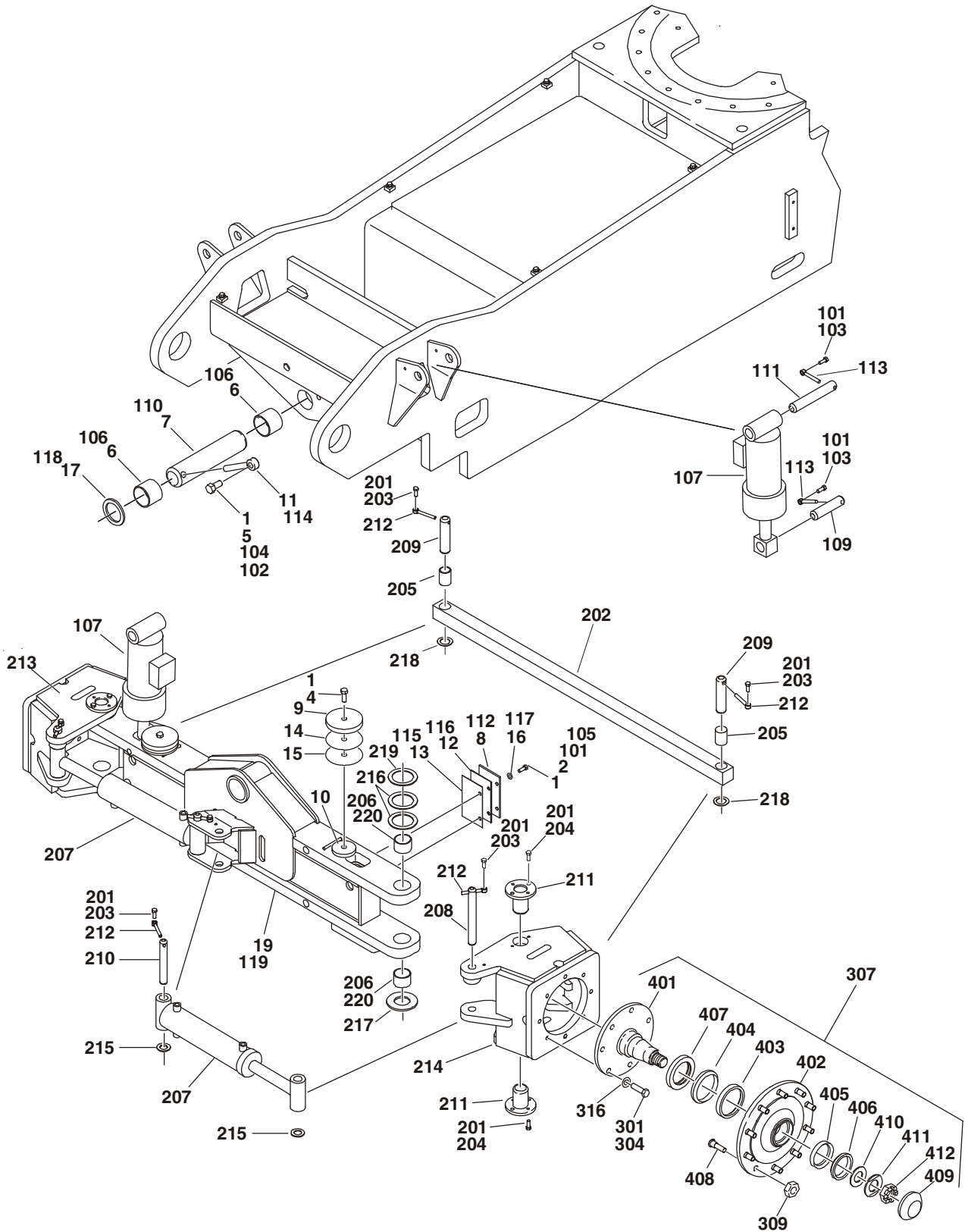
FIGURE NO.	TITLE	PAGE NO.
<b>SECTION 5 - CYLINDER</b>		<b>.5-1</b>
5-1	AXLE LOCKOUT CYLINDER ASSEMBLY	.5-2
5-2	LIFT CYLINDER ASSEMBLY - JIB (860SJ ONLY)	.5-4
5-3	LIFT CYLINDER ASSEMBLY - MAIN BOOM	.5-6
5-4	PLATFORM LEVEL CYLINDER ASSEMBLY	.5-10
5-5	STEER CYLINDER ASSEMBLY (USA BUILT MACHINES S/N 0300140000 TO S/N 0300142666)	.5-12
5-6	STEER CYLINDER ASSEMBLY (USA BUILT MACHINES S/N 03000142666 TO PRESENT ONLY & CHINA BUILT MACHINES S/N B300000100 TO PRESENT ONLY)	.5-14
5-7	TELESCOPE CYLINDER ASSEMBLY	.5-16
<b>SECTION 6 - HYDRAULIC</b>		<b>.6-1</b>
6-1	AXLE LOCKOUT HYDRAULIC DIAGRAM	.6-2
6-2	DRIVE HYDRAULIC DIAGRAM - 2WD	.6-4
6-3	DRIVE HYDRAULIC DIAGRAM - 4WD	.6-8
6-4	MANUAL DESCENT HYDRAULIC DIAGRAM (OPTIONAL)	.6-12
6-5	STANDARD HYDRAULIC DIAGRAM	.6-14
6-6	HYDRAULIC DIAGRAM LIST	.6-18
<b>SECTION 7 - ELECTRICAL</b>		<b>.7-1</b>
7-1	ELECTRICAL DIAGRAM LIST	.7-2
7-2	HARNESS COMPONENTS INSTALLATION	.7-4
<b>SECTION 8 - DECALS</b>		<b>.8-1</b>
8-1	DECAL INSTALLATION (ANSI SPEC)	.8-2
8-2	DECAL INSTALLATION (COUNTRY SPEC)	.8-6
8-3	DECAL INSTALLATION (AUSTRALIAN & CE SPEC)	.8-12
<b>SECTION 9 - RECOMMENDED SERVICE PARTS STOCK</b>		<b>.9-1</b>
<b>SECTION 10 - SPECIAL OPTIONS</b>		<b>.10-1</b>
10-1	SPECIAL OPTIONS LIST	.10-2
<b>SECTION 11 - PARTS NUMBER INDEX</b>		<b>.11-1</b>

# **SECTION 1**

## **FRAME**

# SECTION 1 FRAME

## FIGURE 1-1. AXLE AND STEERING INSTALLATION WITHOUT TOW PACKAGE



## SECTION 1 FRAME

**FIGURE 1-1. AXLE AND STEERING INSTALLATION WITHOUT TOW PACKAGE**

ITEM #	PART NUMBER	QTY.	DESCRIPTION	REV.
	0258286	Ref.	<b>FIXED AXLE INSTALLATION</b>	C
1	0100011	A/R	Compound, Locking	
2	0681608	4	Bolt 3/8in-16NC x 1in (Grade 8)	
3	Not Used			
4	0641820	2	Bolt 1/2in-13NC x 2-1/2in	
5	0642212	1	Bolt 3/4in-10NC x 1-1/2in	
6	0962102	2	Bushing, Garmax	
7	3422703	1	Pin, Axle Pivot	
8	3538047	2	Shim, Wear	
9	3539877	2	Plate, Stop	
10	3539878	2	Plate, Stop	
11	3841287	1	Keeper, Pin	
12	4070878	A/R	Shim 1/16in	
13	4070879	A/R	Shim 1/8in	
14	4070944	A/R	Shim 1/16in	
15	4070945	A/R	Shim 1/4in	
16	4711600	4	Flatwasher 3/8in Narrow	
17	4740472	1	Washer, Special	
18	Not Used			
19	4845658	1	Axle Weldment	
	0274571	Ref.	<b>OSCILLATING AXLE INSTALLATION</b>	C
101	0100011	A/R	Compound, Locking	
102	0100019	A/R	Compound, Locking	
103	0641608	4	Bolt 3/8in-16NC x1in	
104	0642212	1	Bolt 3/4in-10NC x 1-1/2in	
105	0681608	4	Bolt 3/8in-16NC x1in (Grade 8)	
106	0962102	2	Bushing, Garmax	
107	1683078	2	Lockout Cylinder Assembly (See Section 5 for Breakdown)	
108	Not Used			
109	3422702	2	Pin	
110	3422703	1	Pin, Main Pivot	
111	3422755	2	Pin	
112	3538047	2	Shim, Axle Wear	
113	3841143	4	Shaft, Keeper 3/8in Dia x 3in	
114	3841287	1	Shaft, Keeper 3/8in Dia x 6in	
115	4070878	2	Shim, Axle Wear	
116	4070879	2	Shim, Axle Wear	
117	4711600	4	Flatwasher 3/8in Narrow	
118	4740472	1	Washer, Special	
119	4845658	1	Axle Weldment	

# SECTION 1 FRAME

**FIGURE 1-1. AXLE AND STEERING INSTALLATION WITHOUT TOW PACKAGE (CONTINUED)**

ITEM #	PART NUMBER	QTY.	DESCRIPTION	REV.
	0272003	Ref.	<b>STEERING INSTALLATIONS (2WS)</b>	E
		Ref.		
			<b>Note: Before ordering king pin kit, verify that machines is equipped with the original components (king pin with 4 bolt holes) or service kit components (king pin with 8 bolt holes). - If the king pin hole in the axle measurement exceeds 2.252in OD or is elongated, use King Pin Kit p/n 1001137261.</b>	
201	0100011	A/R	Compound, Locking	
202	0362726	1	Tie-Rod	
203	0641608	6	Bolt 3/8in-16NC x 1in	
204	0641810	16	Bolt 1/2in-13NC x 1-1/4in	
205	0962152	2	Bearing	
206		4	Bearing Options:	
	0962448		Bearing, Garmax - Composite (USA Built Machines S/N 0300140000 to S/N 0300150055 Only & China Built Machines S/N B300000100 to S/N B300000282 Only)	
	1001112651		Bearing, Bronze Limited - Aluminum/Bronze (USA Built Machines S/N 0300150055 to Present Only & China Built Machines S/N B300000282 to Present Only)	
207		2	Steer Cylinder Assembly Options (See Section 5 for Breakdown):	
	1683740		USA Built Machines S/N 0300140000 to S/N 0300142666 Only	
	1001097243		USA Built Machines S/N 0300142666 to Present Only & China Built Machines S/N B300000100 to Present Only	
208	3422701	2	Pin, Steer, Spindle Attach	
209	3422702	2	Pin, Tie-Rod	
210	3422754	2	Pin, Attach	
211	3422849	4	Kingpin	
212	3841143	6	Shaft, Keeper 3/8in x 3in	
213	4130389	1	Spindle Weldment (RH)	
214	4130390	1	Spindle Weldment (LH)	
215	4740111	4	Washer, Special	
216	4740256	A/R	Washer, Thrust	
217	4740463	2	Washer, Special	
218	4740473	2	Washer, Thrust	
219	1001103810	2	Washer, Thrust	
220	3020029	A/R	Grease, Bearing	
	0273378	Ref.	<b>HUB INSTALLATION (2WD ONLY)</b>	E
301	0100011	A/R	Compound, Locking	
302 to 303	Not Used			
304	0682016	16	Bolt 5/8in-16NC x 2in (Grade 8)	
305 to 306	Not Used			
307	2780229	2	Hub Assembly (See Items 401-412 for Breakdown)	
308	Not Used			
309	3300007	20	Lugnut	
310 to 315	Not Used			
316	4892000	16	Flatwasher, Hardened 5/8in	

## SECTION 1 FRAME

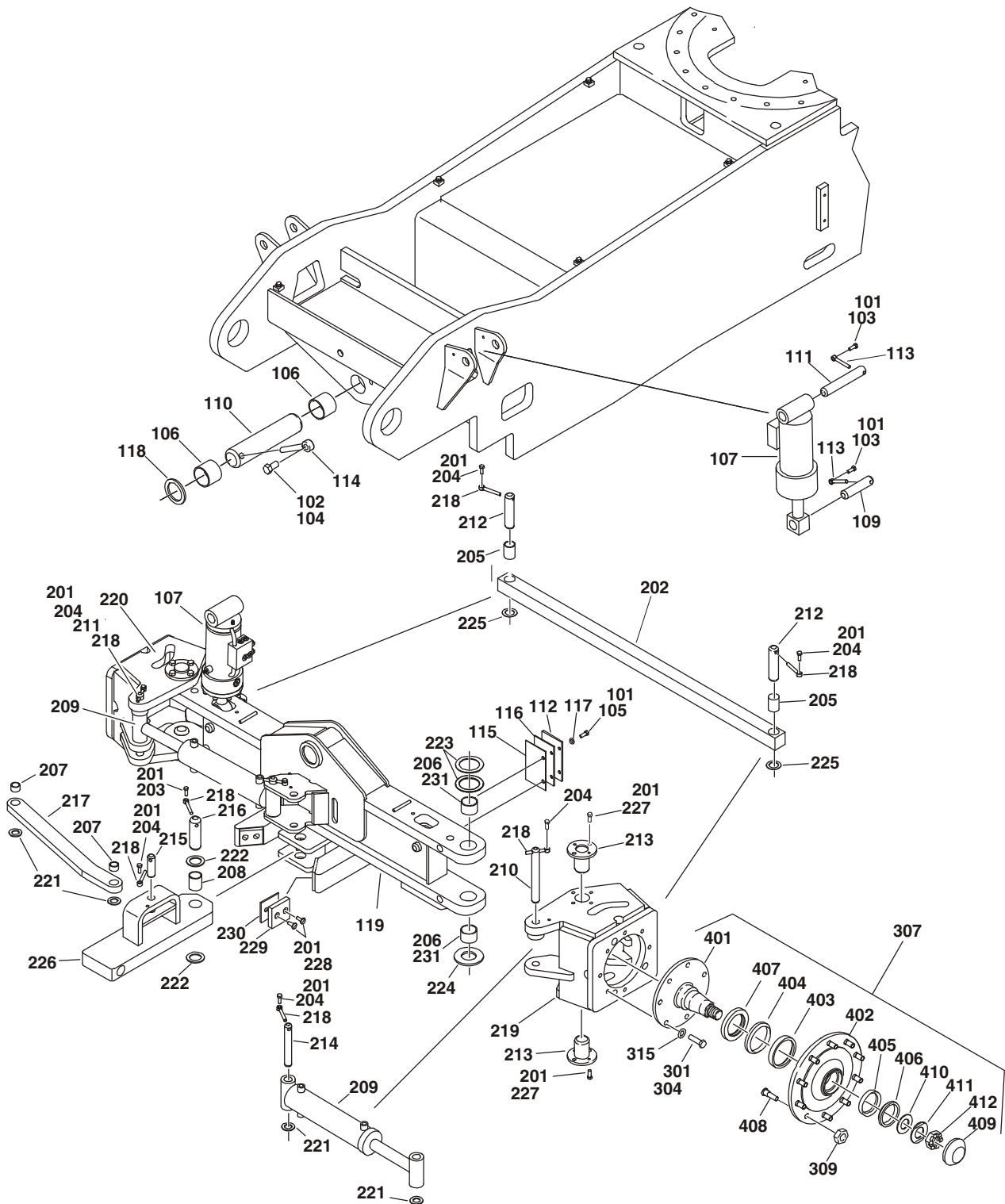
**FIGURE 1-1. AXLE AND STEERING INSTALLATION WITHOUT TOW PACKAGE (CONTINUED)**

ITEM #	PART NUMBER	QTY.	DESCRIPTION	REV.
	2780229	Ref.	<b>HUB ASSEMBLY (2WD ONLY)</b>	A
401	7017052	2	Spindle (1 per Assembly)	
402	7017053	2	Housing (1 per Assembly)	
403	7010404	2	Cup, Bearing - Inner (1 per Assembly)	
404	7010405	2	Cone, Bearing - Inner (1 per Assembly)	
405	7017056	2	Cup, Bearing - Outer (1 per Assembly)	
406	7017055	2	Cone, Bearing - Outer (1 per Assembly)	
407	7010406	2	Seal, Lip (1 per Assembly)	
408	7000265	20	Stud (10 per Assembly)	
409	7017054	2	Dust Cap (1 per Assembly)	
410	7017051	2	Washer, Special (1 per Assembly)	
411	7017057	2	Washer, Tanged (1 per Assembly)	
412	7017058	2	Nut, Bearing (1 per Assembly)	



# SECTION 1 FRAME

## FIGURE 1-2. AXLE AND STEERING INSTALLATION WITH TOW PACKAGE



## SECTION 1 FRAME

**FIGURE 1-2. AXLE AND STEERING INSTALLATION WITH TOW PACKAGE**

ITEM #	PART NUMBER	QTY.	DESCRIPTION	REV.
	0274572	Ref.	<b>OSCILLATING AXLE INSTALLATION</b>	C
101	0100011	A/R	Compound, Locking	
102	0100019	A/R	Compound, Locking	
103	0641608	4	Bolt 3/8in-16NC x1in	
104	0642212	1	Bolt 3/4in-10NC x 1-1/2in	
105	0681608	4	Bolt 3/8in-16NC x1in (Grade 8)	
106	0962102	2	Bushing, Garmax	
107	1683078	2	Lockout Cylinder Assembly (See Section 5 for Breakdown)	
108	Not Used			
109	3422702	2	Pin	
110	3422703	1	Pin, Main Pivot	
111	3422755	2	Pin	
112	3538047	2	Shim, Axle Wear	
113	3841143	4	Shaft, Keeper 3/8in Dia x 3in	
114	3841287	1	Shaft, Keeper 3/8in Dia x 6in	
115	4070878	2	Shim, Axle Wear	
116	4070879	2	Shim, Axle Wear	
117	4711600	4	Flatwasher 3/8in Narrow	
118	4740472	1	Washer, Special	
119	4846413	1	Axle Weldment	
	0271352	Ref.	<b>STEERING INSTALLATION</b>	H
		Ref.	<b>Note: Before ordering king pin kit, verify that machines is equipped with the original components (king pin with 4 bolt holes) or service kit components (king pin with 8 bolt holes). - If the king pin hole in the axle measurement exceeds 2.252in OD or is elongated, use King Pin Kit p/n 1001137261.</b>	
201	0100011	A/R	Compound, Locking	
202	0362726	1	Tie-Rod	
203	0641508	1	Bolt 5/16in- 18NC x 1in	
204	0641608	7	Bolt 3/8in-16NC x 1in	
205	0962152	2	Bearing, Garmax	
206	0962448	4	Bearing Options: Bearing, Garmax - Composite (USA Built Machines S/N 0300140000 to S/N 0300150055 Only & China Built Machines S/N B300000100 to S/N B300000282 Only)	
	1001112651		Bearing, Bronze Limited - Aluminum/Bronze (USA Built Machines S/N 0300150055to Present Only & China Built Machines S/N B300000282 to Present Only)	
207	0962292	2	Bearing, Garmax	
208	0962348	1	Bearing, Garmax	
209	1683740	2	Steer Cylinder Assembly Options (See Section 5 for Breakdown): USA Built Machines S/N 0300140000 to S/N 0300142666 Only	
	1001097243		USA Built Machines S/N 0300142666 to Present Only China Built Machines S/N B300000100 to Present Only	
210	3422567	1	Pin, Steer Spindle Attach (RH)	
211	3422701	1	Pin, Steer Spindle Attach (LH)	
212	3422702	2	Pin, Tie-Rod	

# SECTION 1 FRAME

**FIGURE 1-2. AXLE AND STEERING INSTALLATION WITH TOW PACKAGE (CONTINUED)**

ITEM #	PART NUMBER	QTY.	DESCRIPTION	REV.
213	3422972	4	Kingpin	
214	3422754	2	Pin, Attach	
215	3422813	1	Pin	
216	3422848	1	Pin, Hitch	
217	2573001	1	Link, Connecting	
218	3841143	8	Shaft, Keeper 3/8in x 3in	
219	4130390	1	Spindle Weldment (LH)	
220	4130388	1	Spindle Weldment (RH)	
221	4740111	6	Washer, Special	
222	4740155	2	Washer, Thrust	
223	4740256	4	Washer, Thrust	
224	4740463	2	Washer, Thrust	
225	4740473	2	Washer, Special	
226	4846935	1	Bar, Pivot	
227	0641810	16	Bolt 1/2in-13NC x 1-1/4in	
228	0741609	4	Screw 3/8in-16NC x 1-1/4in	
229	3340966	2	Pad, Stop	
230	4071059	4	Shim	
231	3020029	A/R	Grease, Bearing	
	0273378	Ref.	<b>HUB INSTALLATION (2WD ONLY)</b>	E
301	0100011	A/R	Compound, Locking	
302 to 303	Not Used			
304	0682016	16	Bolt 5/8in-16NC x 2in (Grade 8)	
305 to 306	Not Used			
307	2780229	2	Hub Assembly (See Items 401-412 for Breakdown)	
308	Not Used			
309	3300007	20	Lugnut	
310 to 314	Not Used			
315	4892000	16	Flatwasher, Hardened 5/8in	
	2780229	Ref.	<b>HUB ASSEMBLY (2WD ONLY)</b>	A
401	7017052	2	Spindle (1 per Assembly)	
402	7017053	2	Housing (1 per Assembly)	
403	7010404	2	Cup, Bearing - Inner (1 per Assembly)	
404	7010405	2	Cone, Bearing - Inner (1 per Assembly)	
405	7017056	2	Cup, Bearing - Outer (1 per Assembly)	
406	7017055	2	Cone, Bearing - Outer (1 per Assembly)	
407	7010406	2	Seal, Lip (1 per Assembly)	
408	7000265	20	Stud (10 per Assembly)	
409	7017054	2	Dust Cap (1 per Assembly)	
410	7017051	2	Washer, Special (1 per Assembly)	
411	7017057	2	Washer, Tanged (1 per Assembly)	
412	7017058	2	Nut, Bearing (1 per Assembly)	

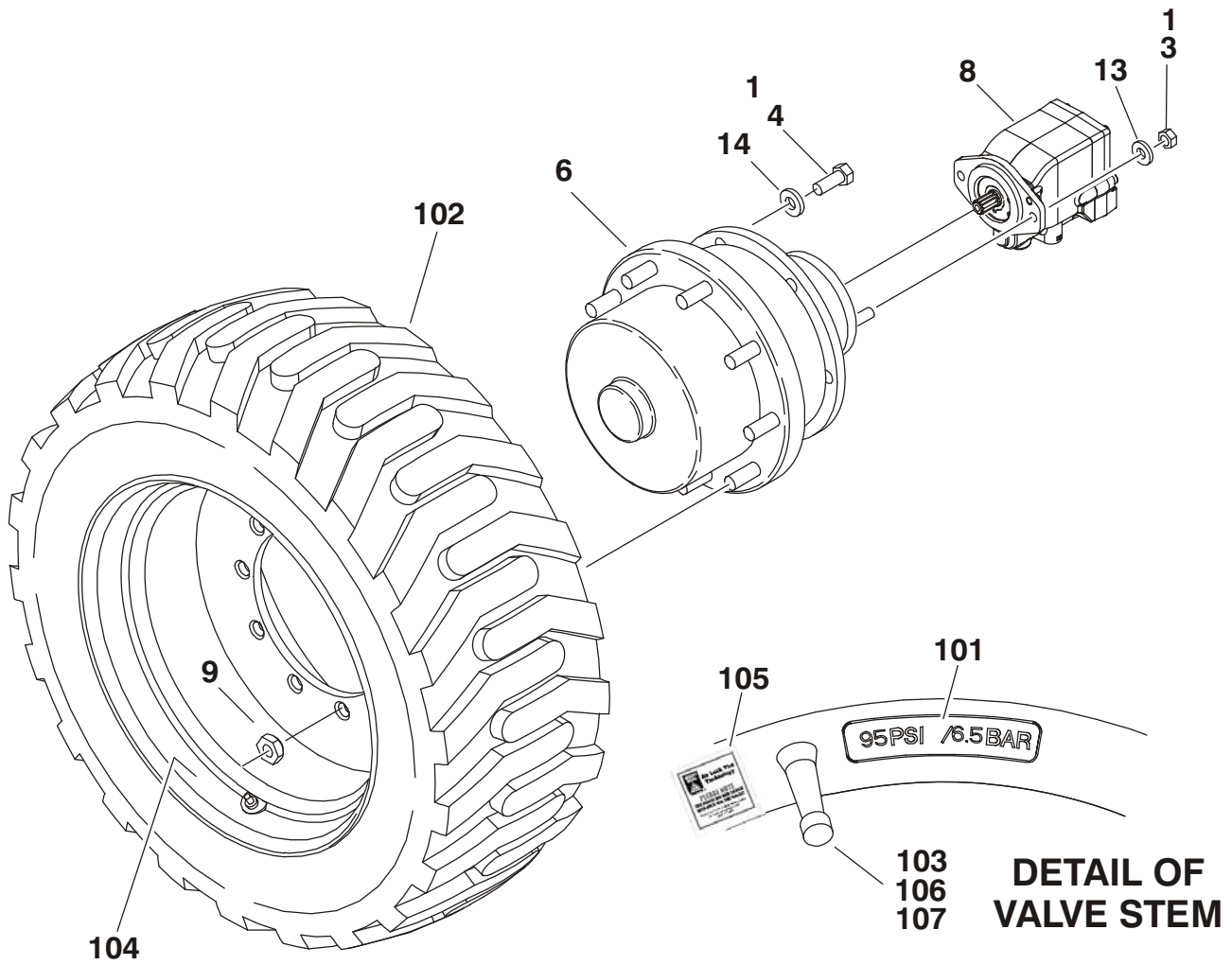
**SECTION 1 FRAME**

**FIGURE 1-2. AXLE AND STEERING INSTALLATION WITH TOW PACKAGE (CONTINUED)**

ITEM #	PART NUMBER	QTY.	DESCRIPTION	REV.

# SECTION 1 FRAME

## FIGURE 1-3. TIRE AND WHEEL DRIVE INSTALLATIONS



## SECTION 1 FRAME

### FIGURE 1-3. TIRE AND WHEEL DRIVE INSTALLATIONS

ITEM #	PART NUMBER	QTY.	DESCRIPTION	REV.
		Ref.	<b>WHEEL DRIVE INSTALLATION</b>	
	0273378	Ref.	<b>2WD</b>	E
	0273704	Ref.	<b>4WD</b>	D
		Ref.	<b>Note: 2WD Qty Shown. For 4WD, Double Qty Shown.</b>	
1	0100011	A/R	Compound, Locking	
2	Not Used			
3	3311801	4	Nut 1/2in-13 NC	
4	0682016	16	Bolt 5/8in-11NC x 2in (Grade 8)	
5	2300016	A/R	Fluid, Hydraulic (Not Shown)	
6	2780272	2	Drive Hub Assembly (See Figure 1-4 for Breakdown)	
7	3020008	A/R	Lubricant (Not Shown)	
8		2	Drive Motor Assembly Options:	
	3160347	2	2WD Rear (See Figure 1-5 for Breakdown)	
	3160348	4	4WD Front & Rear (See Figure 1-5 for Breakdown)	
9	3300007	20	Nut, Wheel	
10 to 12	Not Used			
13	4891800	4	Flatwasher, 1/2in Hardened	
14	4892000	16	Flatwasher 5/8in Hardened	
		Ref.	<b>TIRE AND WHEEL INSTALLATIONS</b>	
	0270885	Ref.	<b>15-625 NHS Pneumatic (Available on All Specs Except Australian &amp; CE Specs)</b>	C
	0272322	Ref.	<b>15-625 NHS Pneumatic W/Sealant (Available on ANSI Specs Only)</b>	C
	0270886	Ref.	<b>15-625 NHS Foam-Filled (Available on All Specs)</b>	C
	0270888	Ref.	<b>18-625 NHS Foam-Filled (Available on All Specs)</b>	C
	0271083	2	15-625 NHS Pneumatic Left Side	
	0271084	2	15-625 NHS Pneumatic Right Side	
	0272334	2	15-625 NHS Pneumatic W/Sealant Left Side	
	0272333	2	15-625 NHS Pneumatic W/Sealant Right Side	
	0271085	2	15-625 NHS Foam-Filled Left Side	
	0271086	2	15-625 NHS Foam-Filled Right Side	
	0271090	2	18-625 NHS Foam-Filled Left Side	
	0271091	2	18-625 NHS Foam-Filled Right Side	
		Ref.	<b>Note: Assemblies may require ballast/foam filling to manufacturer's specifications prior to installing on a machine. Refer to Operation &amp; Safety or Service &amp; Maintenance Manuals. Purchase individual tire and/or rim only if able to foam fill tire &amp; wheel assembly, otherwise, purchase complete assembly.</b>	
101	1702701	1	Decal - 95 PSI/6.5 Bar (15-625 Tires) (Pneumatic Only)	
102		1	Tire Options:	
	4520252		15-625 Tire	
	4520253		18-625 Tire	
103	4640113	1	Valve, Air	
104		1	Rim, Wheel Options:	
	4860224		13 x 24.5 Rim (Use with 15-625 Tires)	
	4860225		15 x 24.5 Rim (Use with 18-625 Tires)	

# SECTION 1 FRAME

## FIGURE 1-3. TIRE AND WHEEL DRIVE INSTALLATIONS (CONTINUED)

ITEM #	PART NUMBER	QTY.	DESCRIPTION	REV.
105	1705364	A/R	Decal - Tire Sealant (W/Sealant Only)	
106	1300019	A/R	Chemical, Tire Sealant (Green) (W/Sealant Only)	
107	1120552	A/R	Cap, Valve Stem (Green) (W/Sealant Only)	

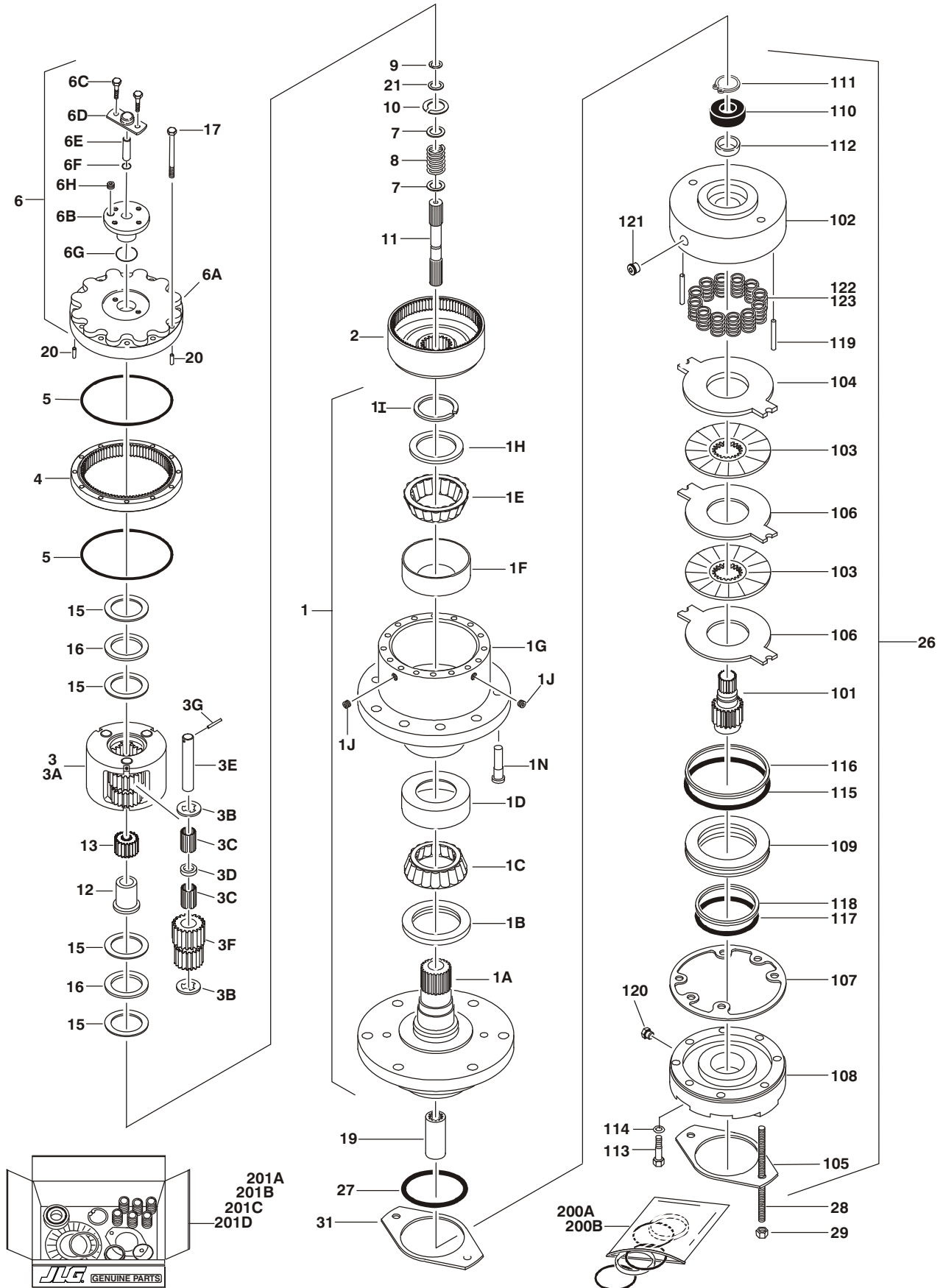
**FIGURE 1-3. TIRE AND WHEEL DRIVE INSTALLATIONS (CONTINUED)**

ITEM #	PART NUMBER	QTY.	DESCRIPTION	REV.



# SECTION 1 FRAME

## FIGURE 1-4. DRIVE HUB/BRAKE ASSEMBLY



## SECTION 1 FRAME

**FIGURE 1-4. DRIVE HUB/BRAKE ASSEMBLY**

ITEM #	PART NUMBER	QTY.	DESCRIPTION	REV.
	2780272	Ref.	<b>DRIVE HUB/BRAKE ASSEMBLY</b>	B
	2780227	Ref.	Hub Assembly	B
1	See Note	1	Spindle/Housing Assembly <b>(Note: Not Available - Purchase Individual Components.)</b>	
1A	7010464	1	Spindle	
1B	7000236	1	Seal	
1C	7000273	1	Cone, Bearing	
1D	7000272	1	Cup, Bearing	
1E	7000275	1	Cone, Bearing	
1F	7000274	1	Cup, Bearing	
1G	7017033	1	Housing	
1H	7000239	1	Washer, Thrust	
1I	7000240	1	Ring, Retaining	
1J	7001928	1	Plug, Pipe	
1K	Not Used			
1L	Not Used			
1M	Not Used			
1N	7000265	10	Stud, Wheel	
2	7024782	1	Gear, Ring	
3	See Note	1	Carrier Assembly <b>(Note: Not Available - Purchase Individual Components.)</b>	
3A	7024147	1	Carrier	
3B	7001901	6	Thrustwasher, Tanged	
3C	7001902	96	Bearing, Needle	
3D	7001903	3	Spacer, Thrust	
3E	7024146	3	Shaft, Planet	
3F	7024148	3	Gear, Cluster	
3G	7001906	3	Rollpin	
4	7024151	1	Gear, Internal	
5	7000224	1	O-Ring	
6	See Note	1	Cover Assembly <b>(Note: Not Available - Purchase Individual Components.)</b>	
6A	7024155	1	Cover	
6B	7024783	1	Cap	
6C	7000220	4	Bolt 1/4in-20NC x 3/4in	
6D	7000231	1	Cap, Disengage	
6E	7000235	1	Rod, Disengage	
6F	7000213	1	O-Ring	
6G	7000238	1	O-Ring	
6H	7017048	1	Plug, Pipe	
7	7000282	2	Thrustwasher	
8	7000283	1	O-Ring	
9	7000284	1	Ring, Retaining	
10	7000285	1	Ring, Retaining	
11	7024781	1	Shaft, Input	
12	7024154	1	Spacer, Input	
13	7024149	1	Gear, Sun	
14	Not Used			

# SECTION 1 FRAME

**FIGURE 1-4. DRIVE HUB/BRAKE ASSEMBLY (CONTINUED)**

ITEM #	PART NUMBER	QTY.	DESCRIPTION	REV.
15	7000287	4	Thrustwasher	
16	7000288	2	Thrustwasher	
17	7000289	12	Bolt 3/8in-16NC x 2-1/2in (Grade 8)	
18	Not Used			
19	7000290	1	Coupling	
20	7017047	2	Pin, Dowel	
21	7017050	1	Thrustwasher	
22 to 25	Not Used			
26	7024182	1	Brake Assembly (Includes Items 101-123)	
27	7024763	2	O-Ring	
28	7024717	2	Stud 1/2in-13NC x 4-5/8in	
29	7024718	2	Nut 1/2in-13NC	
30	Not Used			
31	7000731	1	Gasket	
	7024182	Ref.	<b>BRAKE ASSEMBLY</b>	
101	7024189	1	Shaft	
102	See Note	1	Housing ( <b>Note: Not Available - Purchase Complete Assy.</b> )	
103	Use 7024193	2	Plate, Friction	
104	Use 7024193	1	Plate, Pressure	
105	7000731	1	Gasket	
106	Use 7024193	2	Plate, Outer	
107	See Note	1	Gasket ( <b>Note: Use Items 200B, 201C or 201D</b> )	
108	7024191	1	Cylinder	
109	7024192	1	Piston	
110	Use 7024197	1	Bearing, Ball	
111	Use 7024197	1	Ring, Retaining	
112	Use 7024197	1	Seal, Shaft	
113	See Note	6	Capscrew ( <b>Note: Not Available for Purchase.</b> )	
114	See Note	6	Lockwasher ( <b>Note: Not Available for Purchase.</b> )	
115	Use 7024194	1	O-Ring	
116	Use 7024194	1	Ring, Back-up	
117	Use 7024194	1	O-Ring	
118	Use 7024194	1	Ring, Back-up	
119	7024190	2	Pin, Dowel	
120	See Note	1	Plug ( <b>Note: Not Available for Purchase.</b> )	
121	See Note	2	Plug ( <b>Note: Not Available for Purchase.</b> )	
122	Use 7024196	10	Spring Kit (Natural)	
123	Use 7024196	2	Spring Kit (Blue)	
		Ref.	<b>KIT OPTIONS:</b>	
200		A/R	Seal Kit Options:	
200A	7017068	1	Seal Kit - Hub (Includes Items 1B,5,6F,6G & 8)	
200B	7024194	1	Seal Kit - 7024182 Brake (Includes Items 105, 107 & 215-218)	

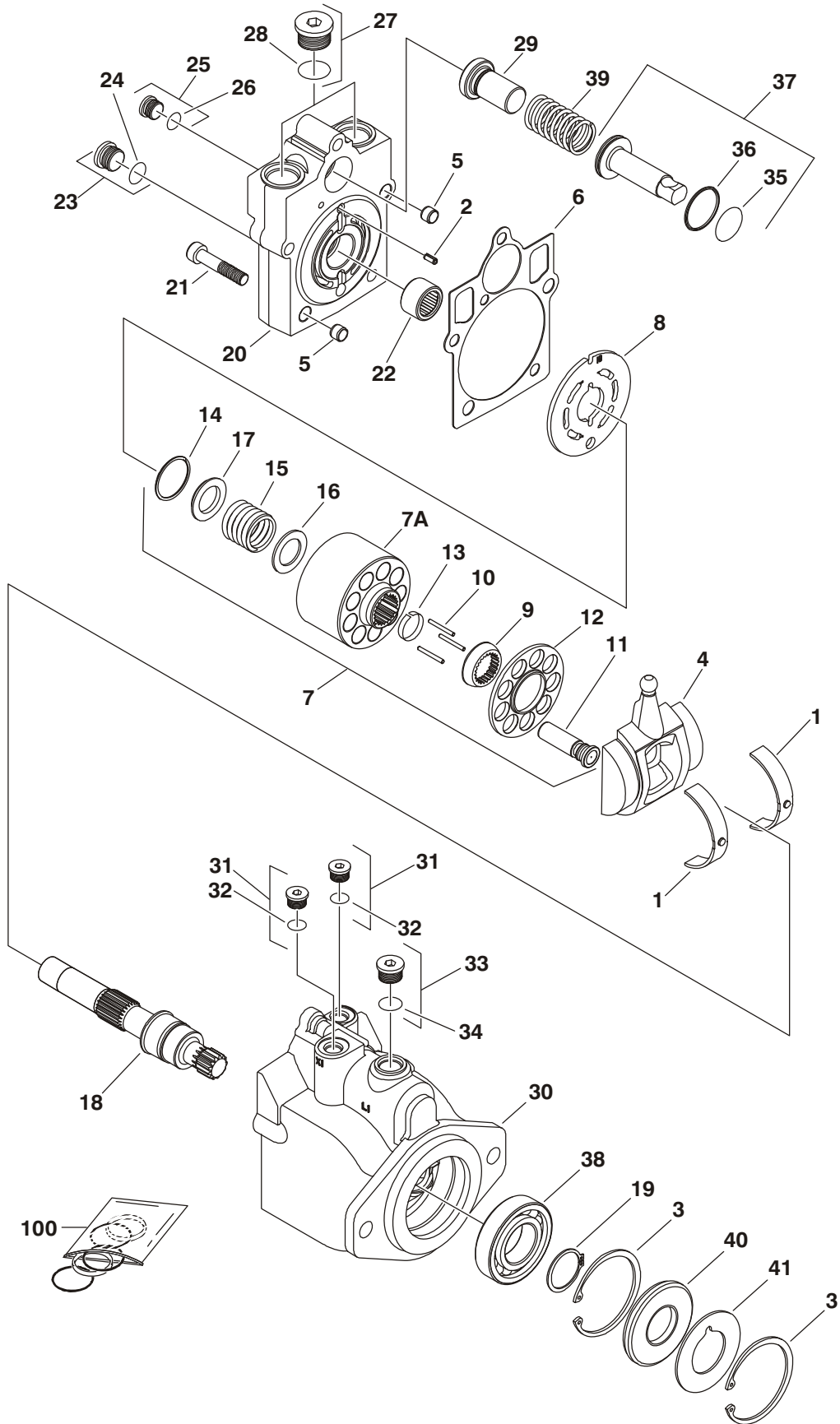
## SECTION 1 FRAME

**FIGURE 1-4. DRIVE HUB/BRAKE ASSEMBLY (CONTINUED)**

ITEM #	PART NUMBER	QTY.	DESCRIPTION	REV.
201		A/R	Repair Kit Options:	
201A	Use 7024196	1	Spring Kit - 7024182 Brake (Includes 12 Natural Colored Springs) (was p/n 7024195) <b>Note: Spring Kit no Longer Available, Purchase Kit p/n 7024196.</b>	
201B	7024196	1	Spring Kit - 7024182 Brake (Includes 12 Natural & 2 Blue Colored Springs)	
201C	7024193	1	Friction Disc Kit - 7024182 Brake (Includes Items 103, 104, 106 & 107)	
201D	7024197	1	Bearing Kit - 7024182 Brake (Includes Items 107 & 110-112)	

# SECTION 1 FRAME

## FIGURE 1-5. DRIVE MOTOR ASSEMBLY (5 BOLT ASSEMBLY)



## SECTION 1 FRAME

**FIGURE 1-5. DRIVE MOTOR ASSEMBLY (5 BOLT ASSEMBLY)**

ITEM #	PART NUMBER	QTY.	DESCRIPTION	REV.
		Ref.	<b>DRIVE MOTOR ASSEMBLIES:</b>	
	3160347	Ref.	<b>2WD</b>	B
	3160348	Ref.	<b>4WD</b>	B
1	7022302	2	Bearing, Journal	
2	7007446	1	Pin	
3	7007438	2	Ring, Retaining	
4		1	Swashplate Options:	
	70000794		2WD	
	7022305		4WD	
5	See Note	2	<b>Pin (Note: Not Available for Purchase.)</b>	
6	Use 7022328	1	Gasket	
7		1	Cylinder Block Kit (Includes Items 7A & 9-17)	
	7027740		2WD	
	7023907		4WD	
7A	See Note	1	<b>Block, Cylinder (Note: Not Available - Purchase Complete Cylinder Block Kit.)</b>	
8		1	Plate, Valve Options:	
	7024862		2WD	
	7023908		4WD	
9		1	Guide, Slipper Retainer Options:	
	See Note		2WD <b>(Note: Not Available for Purchase.)</b>	
	7021277		4WD	
10	7021275	3	Pin, Slipper Hold Down	
11	See Note	9	<b>Piston Assembly (Note: Not Available - Purchase Complete Assy.)</b>	
12		1	Retainer, Slipper Options:	
	See Note		2WD <b>(Note: Not Available for Purchase.)</b>	
	7022310		4WD	
13		1	Retainer, Hold Down Pin Options:	
	Not Required		2WD	
	7021276		4WD	
14	7022311	1	Ring, Retaining	
15		1	Spring Options:	
	7024867		2WD	
	7022312		4WD	
16		1	Washer Options:	
	7022313		2WD	
	7024868		4WD	
17	7022314	1	Retainer, Spring	
18	7023910	1	Shaft	
19	7007439	1	Ring, Retaining	
20		1	Cap, End - Axial Options:	
	70000795		2WD	
	70000797		4WD	
21	7022368	5	Screw	
22	7021249	1	Bearing, Needle	
23	2220886	1	Plug (Includes Item 24)	
24	Use 7022328	1	O-Ring	

# SECTION 1 FRAME

**FIGURE 1-5. DRIVE MOTOR ASSEMBLY (5 BOLT ASSEMBLY) (CONTINUED)**

ITEM #	PART NUMBER	QTY.	DESCRIPTION	REV.
25	2220883	1	Plug (Includes Item 26)	
26	Use 7022328	1	O-Ring	
27	2220888	2	Plug (Includes Item 28)	
28	Use 7022328	2	O-Ring	
29		1	Seat, Spring Options:	
	7027741		2WD	
	7022372		4WD	
30	See Note	1	Housing ( <b>Note: Not Available - Purchase Complete Assy.</b> )	
31	2220883	2	Plug (Items Item 32)	
32	Use 7022328	2	O-Ring	
33	2220886	1	Plug (Items Item 34)	
34	Use 7022328	1	O-Ring	
35	Use 7022328	1	O-Ring	
36	Use 7022328	1	Ring, Seal	
37		1	Piston, Servo Options (Includes Items 35 & 36):	
	7024871		2WD	
	7024854		4WD	
38	7007437	1	Bearing	
39	7022326	1	Spring	
40	Use 7022328	1	Seal, Lip	
41	7022371	1	Washer, Support	
		Ref.	<b>KIT OPTIONS:</b>	
100	7022328	1	Seal Kit (Includes Items 6,24,26,28,32,34,35,36 and 40)	

**SECTION 1 FRAME**

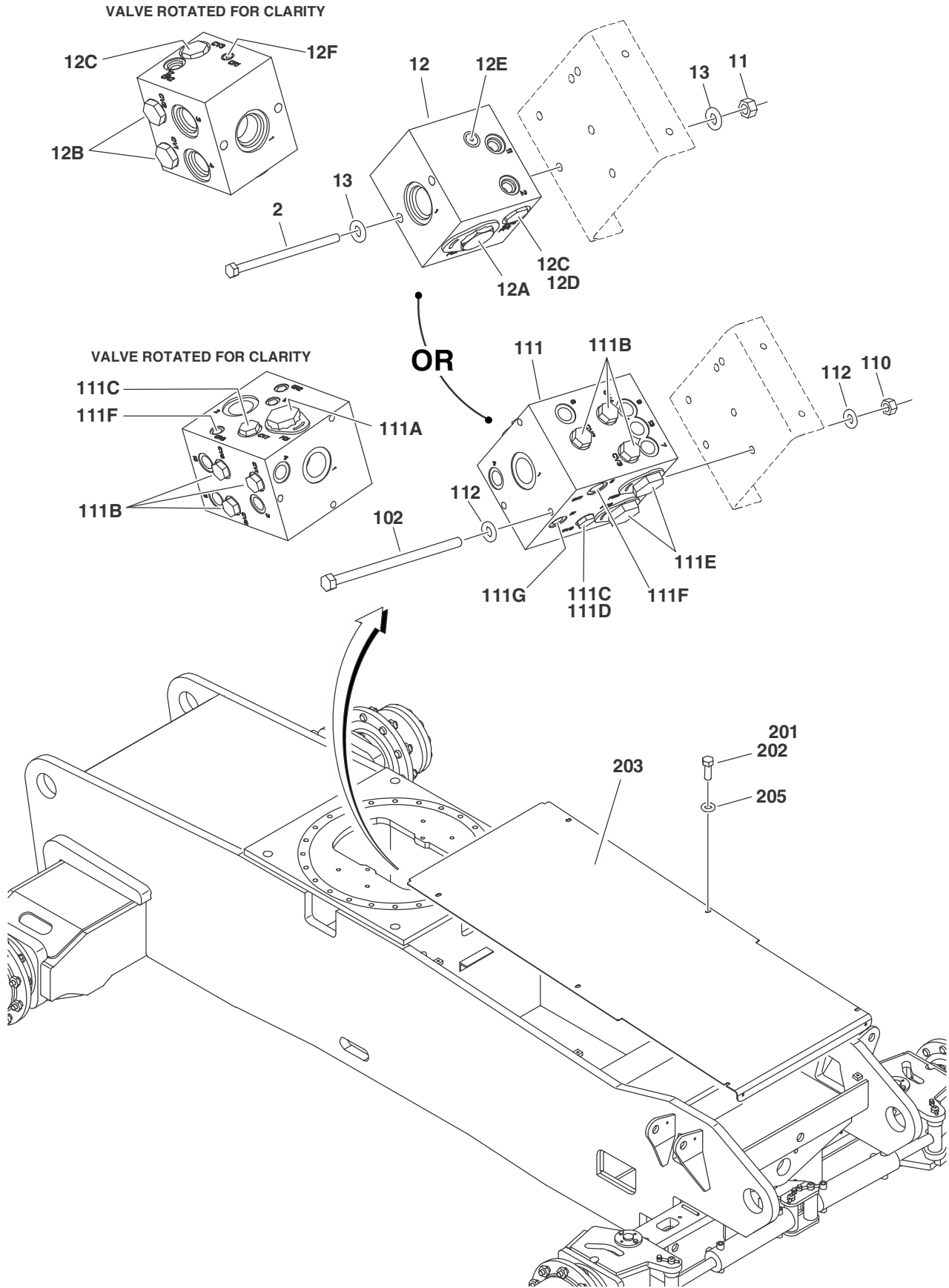
**FIGURE 1-5. DRIVE MOTOR ASSEMBLY (5 BOLT ASSEMBLY) (CONTINUED)**

ITEM #	PART NUMBER	QTY.	DESCRIPTION	REV.



# SECTION 1 FRAME

## FIGURE 1-6. FRAME VALVES & SHIELDS INSTALLATIONS



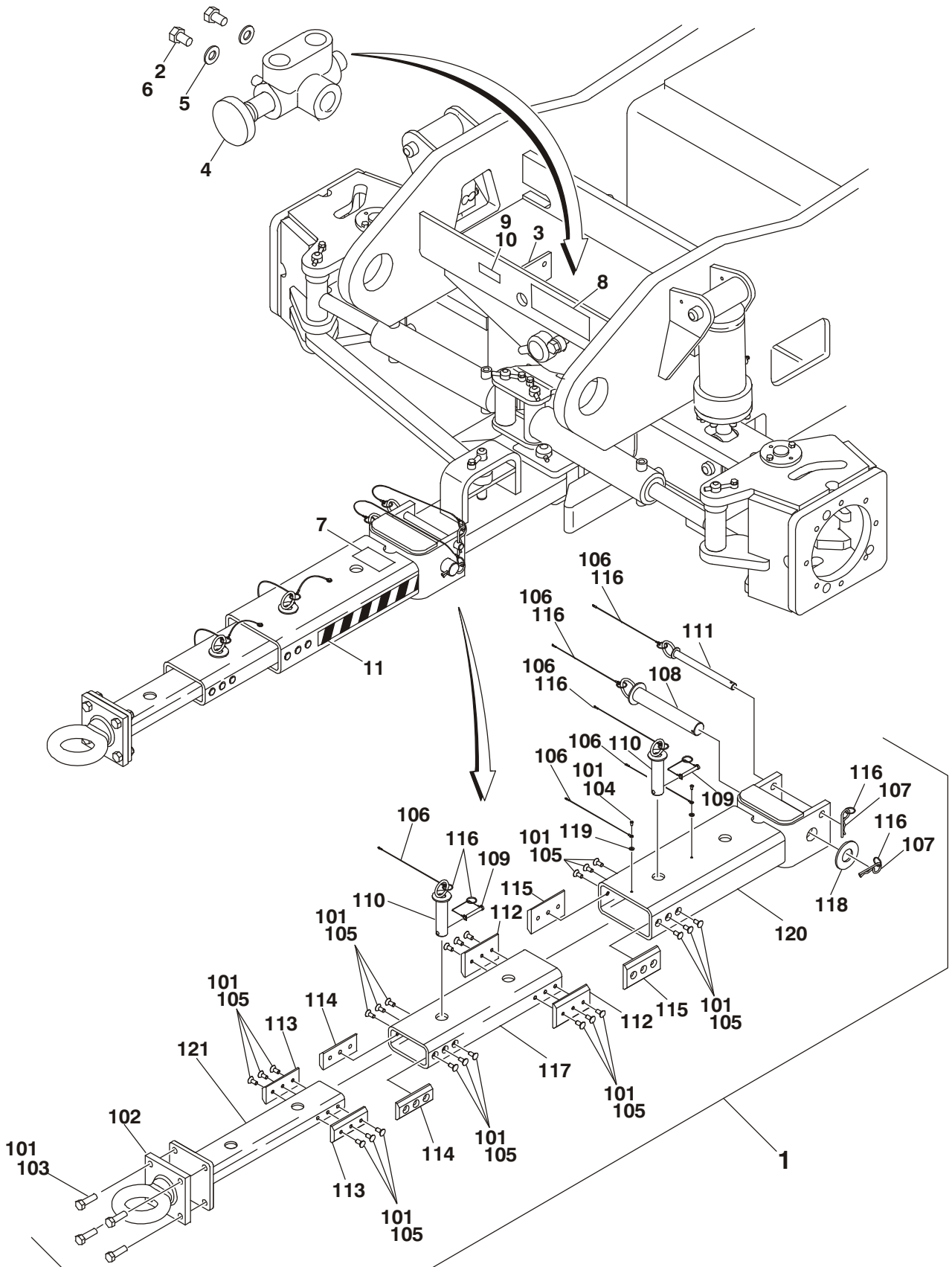
## SECTION 1 FRAME

**FIGURE 1-6. FRAME VALVES & SHIELDS INSTALLATIONS**

ITEM #	PART NUMBER	QTY.	DESCRIPTION	REV.
	0273378	Ref.	<b>DRIVE VALVES INSTALLATION - 2WD</b>	E
1	Not Used			
2	0641542	2	Bolt 5/16in-18NC x 5-1/4in	
3 to 10	Not Used			
11	3311505	2	Locknut 5/16in-18NC	
12	100109870	1	Flow Divider Valve Assembly	A
12A	7023933	1	Cartridge, Flow Divider	
	7021625	1	Seal Kit - 7023933 Cartridge	
	70000781	1	Lockdown Kit	
12B	7022397	2	Cartridge, Check	
	7022399	2	Seal Kit - 7022397 Cartridge	
12C	70002390	2	Cartridge, Check	
	7022399	2	Seal Kit - 70002390 Cartridge	
12D	7024881	1	Piston, Pilot	
12E	7017406	1	Plug	
12F	7024844	1	Plug	
	7017492	1	Orifice	
13	4711500	4	Flatwasher 5/16in Narrow	
	0273704	Ref.	<b>DRIVE VALVES INSTALLATION - 4WD</b>	D
101	Not Used			
102	0641560	3	Bolt 5/16in-18NC x 7-1/2in	
103 to 109	Not Used			
110	3311505	3	Locknut 5/16in-18NC	
111	4641303	1	Flow Divider Valve Assembly	
111A	7023933	1	Cartridge, Flow Divider	
	7021625	1	Seal Kit - 7023933 Cartridge	
111B	7022397	6	Cartridge, Check	
	7022399	6	Seal Kit - 7022397 Cartridge	
111C	7021639	2	Cartridge, Check Valves	
	2900756	2	Seal Kit - 7022398 Cartridge	
111D	7024881	1	Piston, Pilot	
111E	7023917	2	Cartridge, Flow Divider	
	7021625	2	Seal Kit - 7023917 Cartridge	
111F	70003935	2	Orifice	
111G	70003936	1	Orifice	
112	4711500	6	Flatwasher 5/16in Narrow	
	0274267	Ref.	<b>FRAME SHIELDS INSTALLATIONS</b>	A
201	0100011	6	Compound, Locking	
202	0641608	6	Bolt, 3/8in - 16NC x 1in	
203	3575718	1	Plate, Cover Front	
204	Not Used			
205	4751600	6	Flatwasher 3/8in	

# SECTION 1 FRAME

## FIGURE 1-7. TOW PACKAGE INSTALLATION



## SECTION 1 FRAME

**FIGURE 1-7. TOW PACKAGE INSTALLATION**

ITEM #	PART NUMBER	QTY.	DESCRIPTION	REV.
	0271354	Ref.	<b>TOW BAR INSTALLATION</b>	E
1	0250528	1	Tow Bar Assembly (See Items 101-121 for Breakdown)	
2	0641504	2	Bolt 5/16in-18NC x 1/2in	
3	3539662	1	Plate, Valve Mounting	
4	4640261	1	Valve, Select	
5	4711500	2	Flatwasher 5/16in	
6	0100011	A/R	Compound, Locking	
7	1704578	2	Decal - Crushing	
8	1705090	1	Decal - Towing Instructions	
9	3250872	1	Nameplate - Steer/Tow Select Valve	
10	3820001	4	Rivet	
11	4420051	A/R	Tape, Safety	
	0270528	Ref.	<b>TOW BAR ASSEMBLY</b>	A
101	0100011	A/R	Compound, Locking	
102	0362910	1	Pintle, Draw Eye	
103	0642010	4	Bolt 5/8in-11NC x 1-1/4in	
104	0721004	2	Screw, Hex Machine	
105	0741607	24	Screw, Countersunk 3/8in-16NC x 7/8in	
106	1060584	6	Cable, Lanyard	
107	3420372	2	Pin, Cotter	
108	3420447	1	Pin, Towing	
109	3421565	2	Pin, Snap	
110	3422841	2	Pin	
111	3422847	1	Pin	
112	3572009	2	Plate, Slide Stop	
113	3572010	2	Plate, Slide Stop	
114	3572011	2	Plate, Slide Stop	
115	3572012	2	Plate, Slide Stop	
116	3760170	8	Ring, Split	
117	4568133	1	Tube, Tow Bar	
118	4740036	1	Flatwasher	
119	4751000	2	Flatwasher #10	
120	4846295	1	Tow Bar Attach Weldment	
121	4846296	1	Pintle Attach Weldment	

# SECTION 1 FRAME

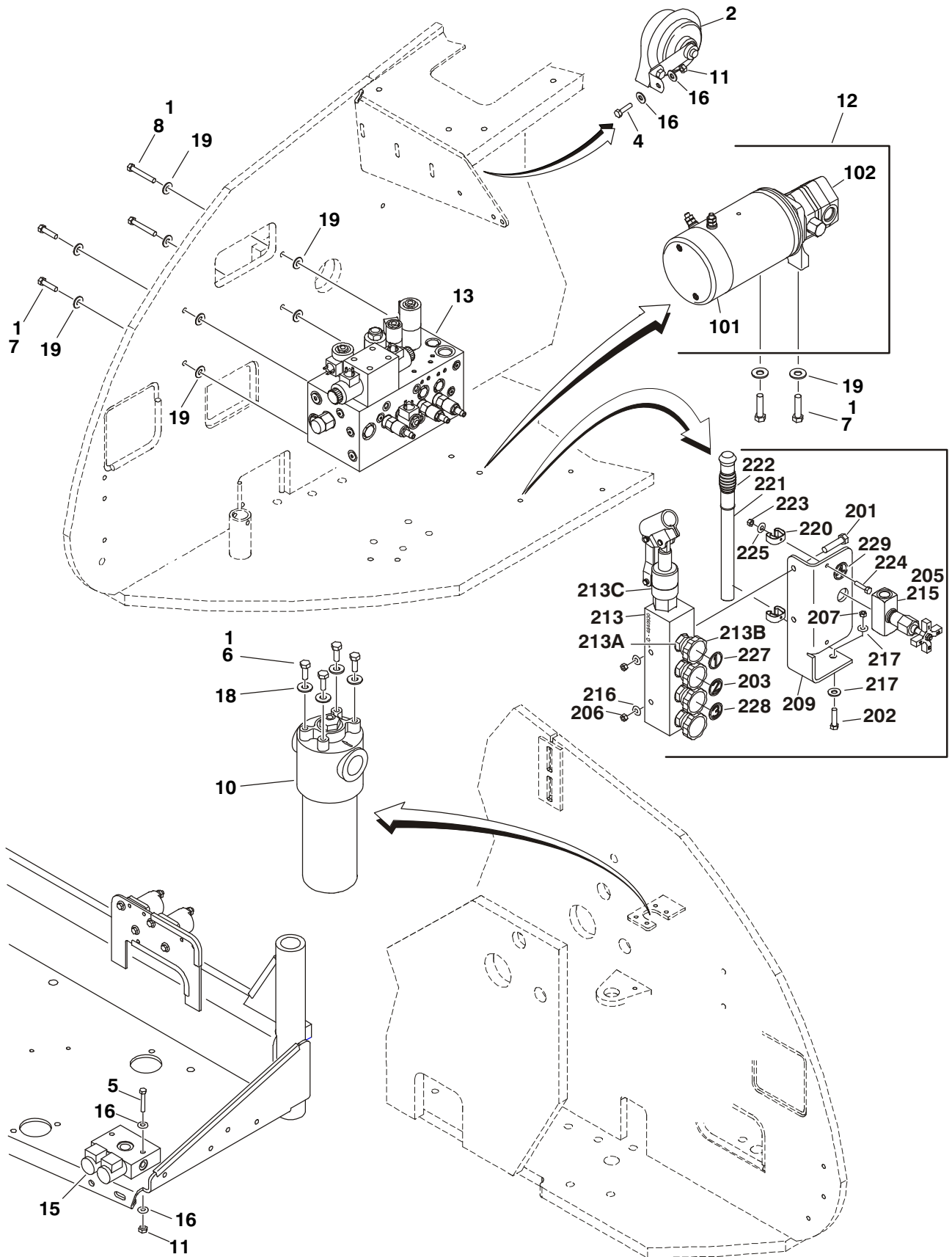
## FIGURE 1-7. TOW PACKAGE INSTALLATION (CONTINUED)

ITEM #	PART NUMBER	QTY.	DESCRIPTION	REV.

# **SECTION 2 TURNTABLE**

# SECTION 2 TURNTABLE

## FIGURE 2-1. CONTROL VALVES INSTALLATIONS



# SECTION 2 TURNTABLE

**FIGURE 2-1. CONTROL VALVES INSTALLATIONS**

ITEM #	PART NUMBER	QTY.	DESCRIPTION	REV.
		Ref.	<b>VALVES INSTALLATIONS</b>	
	0274644	Ref.	<b>800S</b>	H
	0274645	Ref.	<b>860SJ</b>	G
1	0100011	A/R	Compound, Locking	
2	0140001	1	Horn	
3	Not Used			
4	0641408	1	Bolt 1/4in-20NC x 1in	
5	0641418	2	Bolt 1/4in-20NC x 2-1/4in	
6		A/R	Bolt Options:	
	0641408	3	Bolt 1/4in-20NC x 1in	
	0641606	4	Bolt 3/8in-16NC x 3/4in	
7	0641612	4	Bolt 3/8in-16NC x 1-1/2in	
8		2	Bolt Options:	
	0641612		800S - Bolt 3/8in-16NC x 1-1/2in	
	0641620		860SJ - Bolt 3/8in-16NC x 2-1/2in	
9	Not Used			
10		A/R	Hydraulic Pressure Filter Assembly Options:	
			USA Built Machines S/N 0300140000 to S/N 0300141319 Only	
	2120209	1	Hydraulic Pressure Filter Assembly	
	2120210	1	Element, Filter	
	7020020	1	Manual Indicator	
	70000934	1	O-Ring Filter Bowl	
			USA Built Machines S/N 0300141319 to Present Only & China Built Machines S/N B300000100 to Present Only	
	1001108617	1	Hydraulic Pressure Filter Assembly	
	70002231	1	Element, Filter	
11	3311405	3	Locknut 1/4in-20NC	
12	3600424	1	Auxiliary Pump Assembly (See Items 101 & 102 for Breakdown)	
13	4641432	1	Main Control Assembly (See Figure 2-2 for Breakdown)	
14	Not Used			
15	4641317	1	Dual Select Valve Assembly	C
	7012944	2	Coil	
	7012941	2	Cartridge Less Coil	
	7010543	2	Seal Kit - 7012941 Valve (1 Per Cartridge)	
16	4711400	14	Flatwasher 1/4in Narrow	
17	Not Used			
18		A/R	Flatwasher Options:	
	4711400	3	Flatwasher 1/4in Narrow	
	4711600	4	Flatwasher 3/8in Narrow	
19	4751600	10	Flatwasher 3/8in	
	3600424	Ref.	<b>AUXILIARY PUMP ASSEMBLY</b>	B
101	70001056	1	Motor Kit	
	7011062	1	Bracket, Motor/Pump	
	7011016	1	Coupling	
	7029592	2	Setscrew	



## SECTION 2 TURNTABLE

**FIGURE 2-1. CONTROL VALVES INSTALLATIONS (CONTINUED)**

ITEM #	PART NUMBER	QTY.	DESCRIPTION	REV.
102	7029593	1	Pump Kit	
	7011016	1	Coupling	
	7011044	1	Gasket	
	7011048	4	Flatwasher	
	7011043	4	Screw	
	0272750	Ref.	<b>MANUAL DESCENT INSTALLATION (OPTIONAL)</b>	A
201	0641420	2	Bolt 1/4in-20NC x 2-1/2in	
202	0641514	2	Bolt 5/16in-18NC x 1-3/4in	
203	1702927	1	Decal - #2	
204	1705589	1	Decal - Manual Descent (Not Shown - Located on Hydraulic Tank)	
205	2900062	1	Kit, Valve Mounting	
206	3311405	2	Locknut 1/4in-20NC	
207	3311505	2	Locknut 5/16in-18NC	
208	Not Used			
209	3574179	1	Plate, Valve Mounting	
210 to 212	Not Used			
213	4640930	1	Manifold, Manual Descent Assembly	
213A		A/R	Cartridge, Needle Options:	
	Use 4640902	4	Cartridge, Needle (was p/n 7012954) (Original Equipment)	
	7012953	4	Seal, Kit - 7012954 Cartridge	
	4640902	4	Cartridge, Needle (Service Replacement)	
	7012953	4	Seal, Kit - 4640902 Cartridge	
213B	7012961	4	Knob	
213C		A/R	Cartridge, Pump Options:	
	Use 70004019	1	Cartridge, Pump (was p/n 7012694) (Original Equipment)	
	7012699	1	Seal, Kit - 7012694 Cartridge	
	70004019	1	Cartridge, Pump (Service Replacement)	
	Use 7017496	1	Seal, Kit - 70004019 Cartridge (was p/n 2900756)	
214	Not Used			
215	4641263	1	Valve, Metering	
216	4751400	2	Flatwasher 1/4in (Wide)	
217	4751500	4	Flatwasher 5/16in (Wide)	
218 to 219	Not Used			
220	1380136	2	Clip, Gripper	
221	2560122	1	Handle	
222	2560123	1	Handle, Grip	
223	3311005	2	Locknut #10-24NC	
224	3911008	2	Screw	
225	4751000	2	Flatwasher #10	
226	1702901	1	Decal - Manual Descent (Not Shown - Located on hood)	
227	1702903	1	Decal - #1	
228	1702924	1	Decal - #3	
229	1702925	1	Decal - #4	

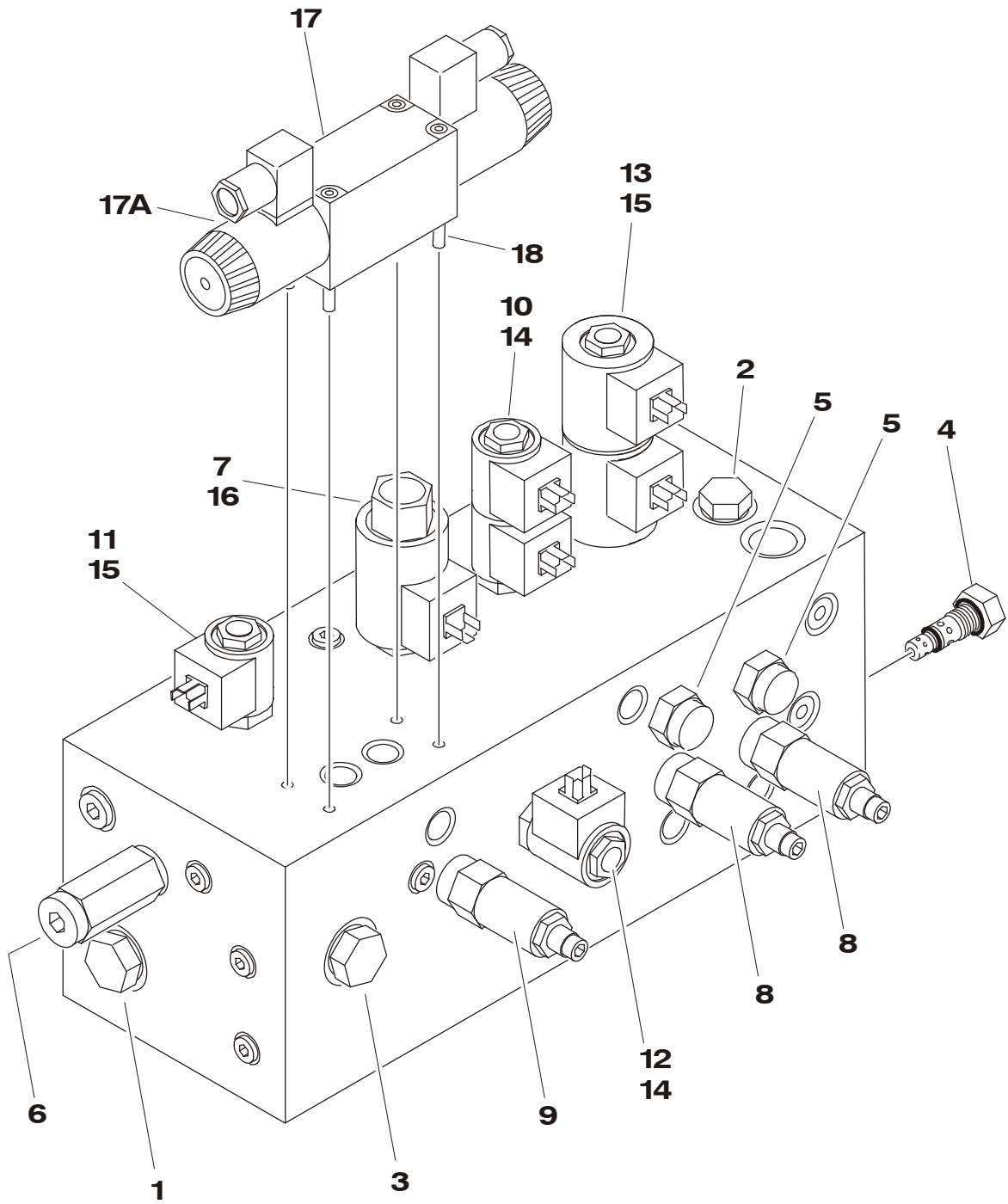
# SECTION 2 TURNTABLE

FIGURE 2-1. CONTROL VALVES INSTALLATIONS (CONTINUED)

ITEM #	PART NUMBER	QTY.	DESCRIPTION	REV.

# SECTION 2 TURNTABLE

## FIGURE 2-2. MAIN CONTROL VALVE ASSEMBLY



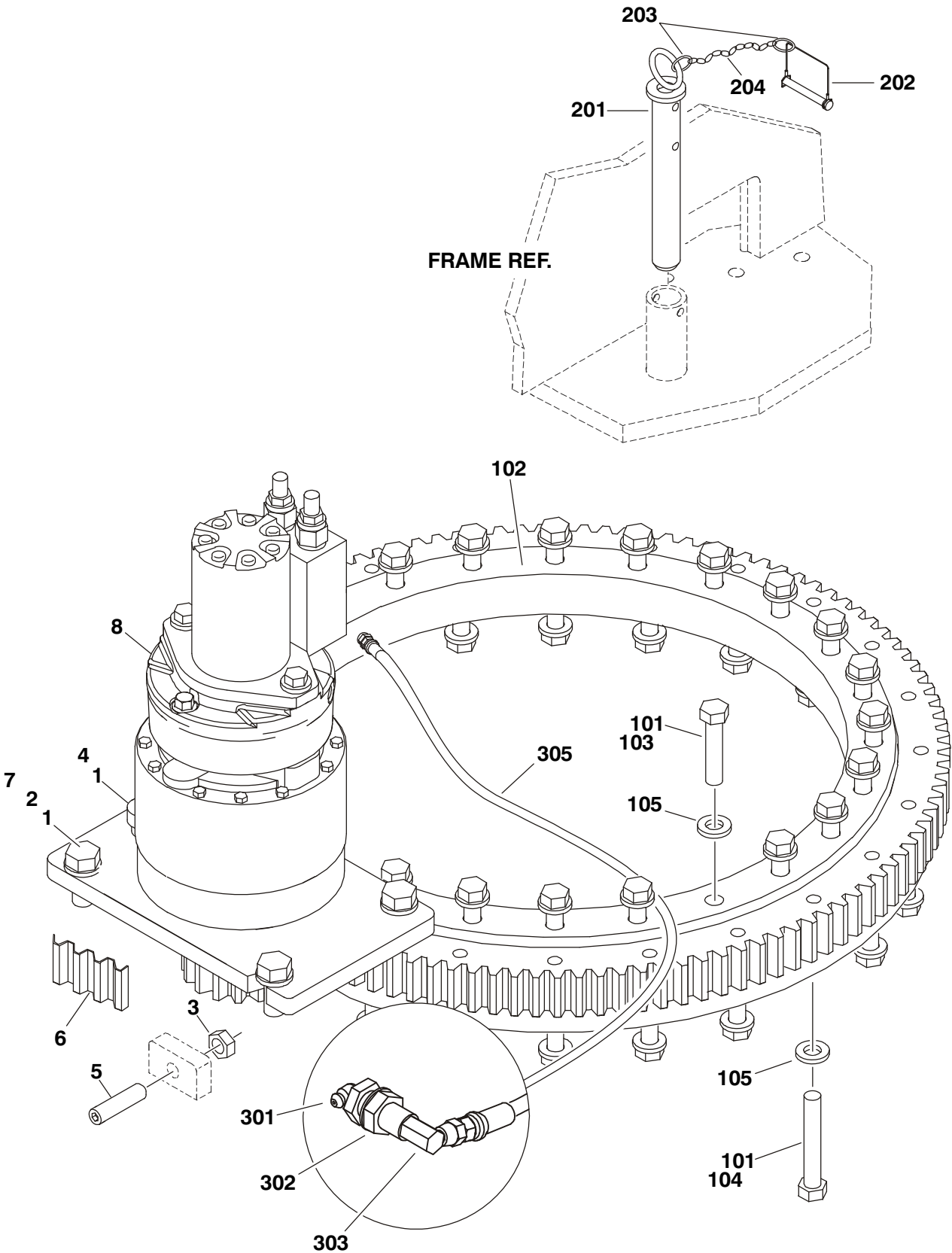
## SECTION 2 TURNTABLE

**FIGURE 2-2. MAIN CONTROL VALVE ASSEMBLY**

ITEM #	PART NUMBER	QTY.	DESCRIPTION	REV.
	4641432	Ref.	<b>MAIN CONTROL VALVE ASSEMBLY</b>	A
1	7023918	1	Cartridge, Check Valve	
	7023919	1	Seal Kit - 7023918 Cartridge	
2	7012975	1	Cartridge, Check Valve	
	Use 7012967	1	Seal Kit - 7012975 Cartridge (was p/n 7012540)	
3	7023985	1	Cartridge, Check Valve	
	7017496	1	Seal Kit - 7023985 Cartridge	
4	7023986	1	Cartridge, Flow Regulator (Steer)	
	7010545	1	Seal Kit - 7023986 Cartridge	
5	Use 10837580	2	Cartridge, Load Sensing (Steer & Swing) (was p/n 7010542)	
	7010543	2	Seal Kit - 7010542 Cartridge	
6	7023987	1	Cartridge, Pilot	
	7012942	1	Seal Kit - 7023987 Cartridge	
7	7023921	1	Cartridge, Proportional Flow (Tele)	
	7012925	1	Seal Kit - 7023921 Cartridge	
8	7017422	2	Cartridge, Relief Valve (Steer & Swing)	
	7012998	2	Seal Kit - 7017422 Cartridge	
9	7017489	1	Cartridge, Relief Valve (Tele Out Relief)	
	7012998	1	Seal Kit - 7017489 Cartridge	
10	7023922	1	Cartridge, Solenoid (Swing)	
	7017402	1	Seal Kit - 7023922 Cartridge	
11	7023923	1	Cartridge, Solenoid (Main Dump)	
	7023919	1	Seal Kit - 7023923 Cartridge	
12	7021612	1	Cartridge, Solenoid (Lift Up Dump)	
	Use 7010543	1	Seal Kit - 7021612 Cartridge (was p/n 7012907)	
13	7023925	1	Cartridge, Solenoid (Steer Direction)	
	7012903	1	Seal Kit - 7023925 Cartridge	
14	7012944	3	Coil	
15	7012943	3	Coil	
16	7017451	1	Coil	
17	70000579	1	Control Valve Assembly (Tele Direction)	
	70000583	1	Seal Kit	
17A	70000582	1	Coil	
	70000580	1	Nut, Coil	
18	See Note	4	Capscrew <b>(Note: Not Available for Purchase.)</b>	

# SECTION 2 TURNTABLE

## FIGURE 2-3. TURNTABLE AND SWING DRIVE INSTALLATION



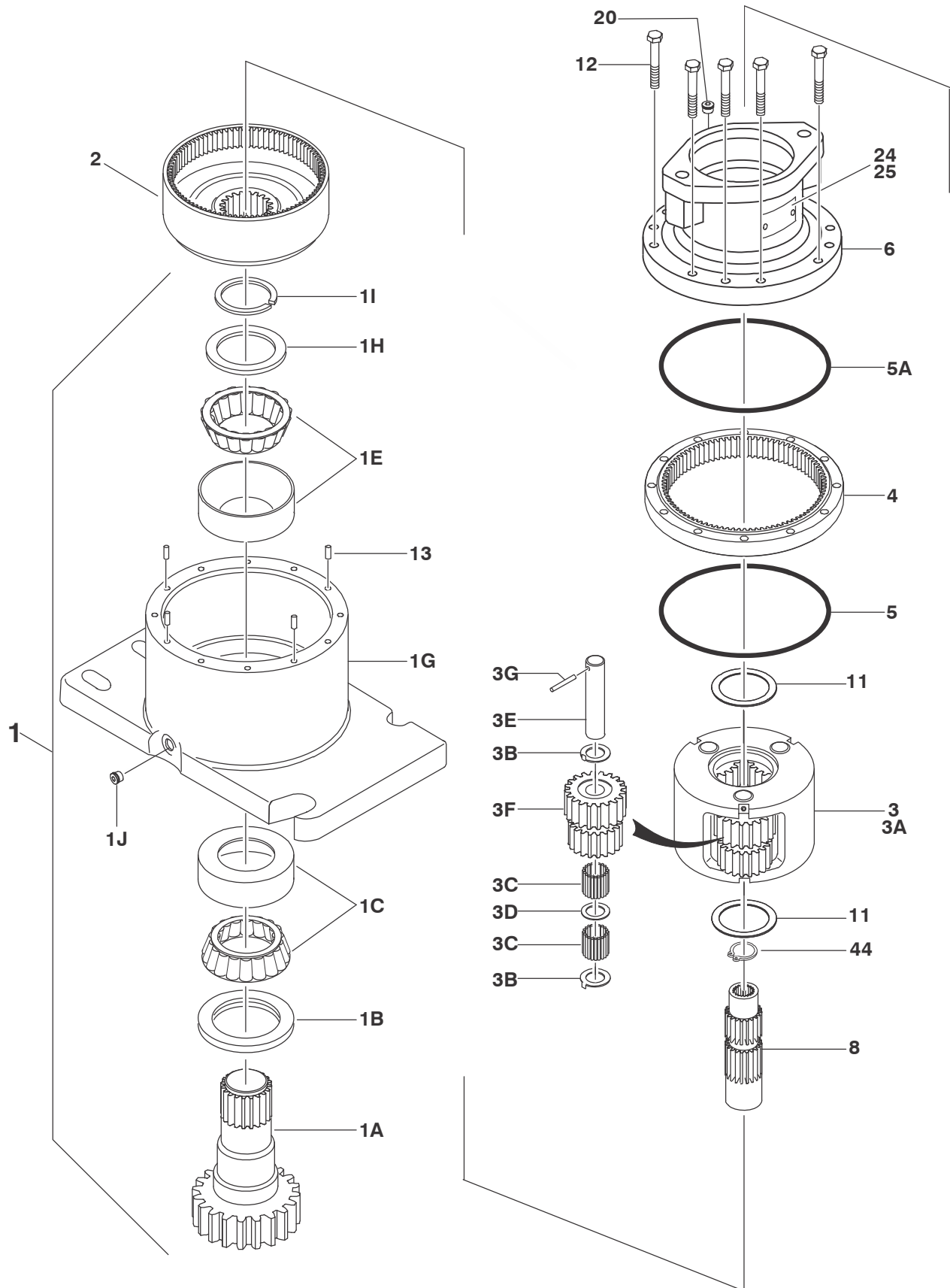
## SECTION 2 TURNTABLE

**FIGURE 2-3. TURNTABLE AND SWING DRIVE INSTALLATION**

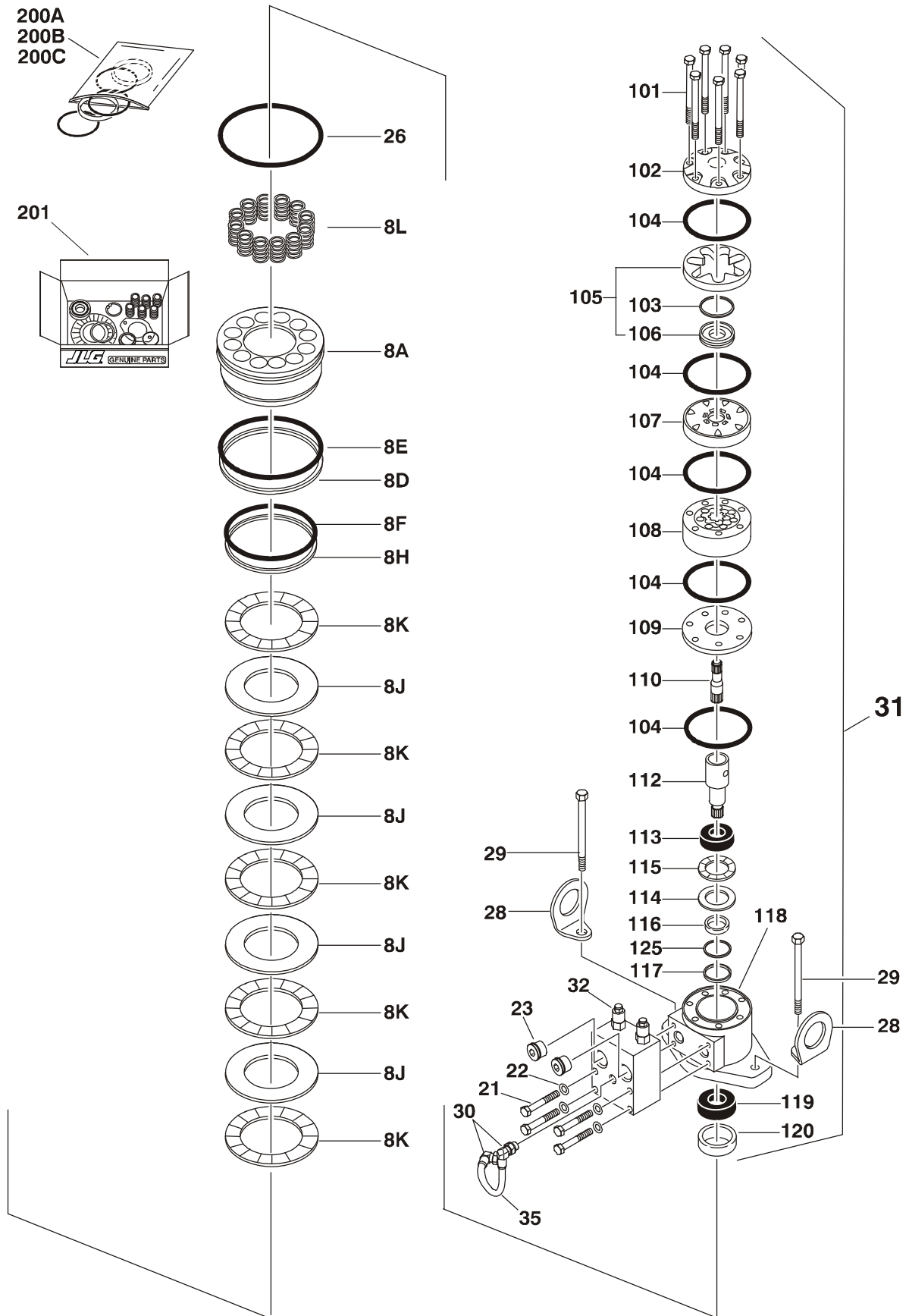
ITEM #	PART NUMBER	QTY.	DESCRIPTION	REV.
		Ref.	<b>TURNTABLE WELDMENT</b>	
	4620130		800S	
	4620131		860SJ	
	1001094899	Ref.	<b>SWING DRIVE INSTALLATION</b>	B
1	0100019	A/R	Compound, Locking	
2	0682216	4	Bolt 3/4in-10NC x 2in (Grade 8)	
3	3312002	1	Nut, Jam 3/4in-10NC	
4	3900293	1	Bolt, Shoulder	
5	3952020	2	Setscrew 5/8in-11NC x 2-1/2in	
6	4071009	1	Shim	
7	4740057	4	Washer, Hardened 3/4in	
8	1001101060	1	Swing Motor/Swing Hub Assembly (See Figure 2-4 for Break-down)	
	0271002	Ref.	<b>SWING BEARING INSTALLATION</b>	E
101	0100019	A/R	Compound, Locking	
102	0440244	1	Bearing, Turntable	
103	0682023	24	Bolt 5/8in - 11NC x 2-7/8in (Grade 8)	
104	0682032	24	Bolt 5/8in - 11NC x 4in (Grade 8)	
105	4892000	48	Flatwasher, Hardened	
	0259147	Ref.	<b>TURNTABLE LOCK INSTALLATION</b>	B
201	4844958	1	Pin	
202	3421565	1	Pin, Snap	
203	3760170	2	Ring, Quick Release	
204	1260017	9in/23cm	Chain	
	0271496	Ref.	<b>REMOTE BEARING LUBE INSTALLATION</b>	B
301	2160001	1	Fitting, Grease	
302	2180344	1	Fitting, Bulkhead	
303	2220063	1	Fitting, 90°	
304	Not Used			
305	2751032	1	Hose, Grease	

# SECTION 2 TURNTABLE

FIGURE 2-4. SWING MOTOR/HUB ASSEMBLY



# SECTION 2 TURNTABLE





## SECTION 2 TURNTABLE

FIGURE 2-4. SWING MOTOR/HUB ASSEMBLY

ITEM #	PART NUMBER	QTY.	DESCRIPTION	REV.
	1001101060	Ref.	<b>SWING MOTOR/HUB ASSEMBLY</b>	A
1	See Note	1	Housing/Shaft Assembly ( <b>Note: Not Available - Purchase Individual Components.</b> )	
1A	7010492	1	Shaft, Output	
1B	7000228	1	Seal, Lip	
1C	7000255	1	Bearing Kit (Includes Cup & Cone)	
1D	Not Used			
1E	7000257	1	Bearing Kit (Includes Cup & Cone)	
1F	Not Used			
1G	7024762	1	Housing	
1H	7007633	1	Washer, Thrust	
1I	7000229	1	Ring, Retaining	
1J	7017072	1	Plug, Pipe	
2	7000246	1	Gear, Internal	
3	80424002	1	Carrier Assembly	
3A	7001931	1	Carrier	
3B	7001985	6	Washer, Tanged	
3C	7001909	84	Bearing, Needle	
3D	7000263	3	Washer, Thrust	
3E	7001911	3	Shaft, Planet	
3F	7001912	3	Gear, Cluster	
3G	7010474	3	Rollpin	
4	7000248	1	Gear, Ring	
5	7000230	1	O-Ring	
5A	7017070	1	O-Ring	
6	Use 1001101060	1	Housing, Brake ( <b>Note: Not Available - Purchase Complete Assy.</b> )	
7	Not Used			
8	70002065	1	Gear, Sun	
8A	70000782	1	Piston	
8B to 8C	Not Used			
8D	70002070	1	O-Ring	
8E	70002071	1	Ring, Back-up	
8F	70002073	1	O-Ring	
8G	Not Used			
8H	70002072	1	Ring, Back-up	
8I	Not Used			
8J	70002067	4	Disc, Rotor	
8K	70002068	5	Disc, Stator	
8L	70002066	14	Spring	
9 to 10	Not Used			
11	7000253	2	Washer, Thrust	
12	7000217	12	Bolt 3/8in-16NC x 2-1/4in (Grade 8)	
13	7017080	4	Pin, Dowel	
14 to 19	Not Used			
20	7017072	1	Plug, Pipe	
21	7024704	4	Bolt 5/16in-18NC x 2in (Grade 8)	
22	See Note	4	Lockwasher ( <b>Note: Not Available for Purchase.</b> )	

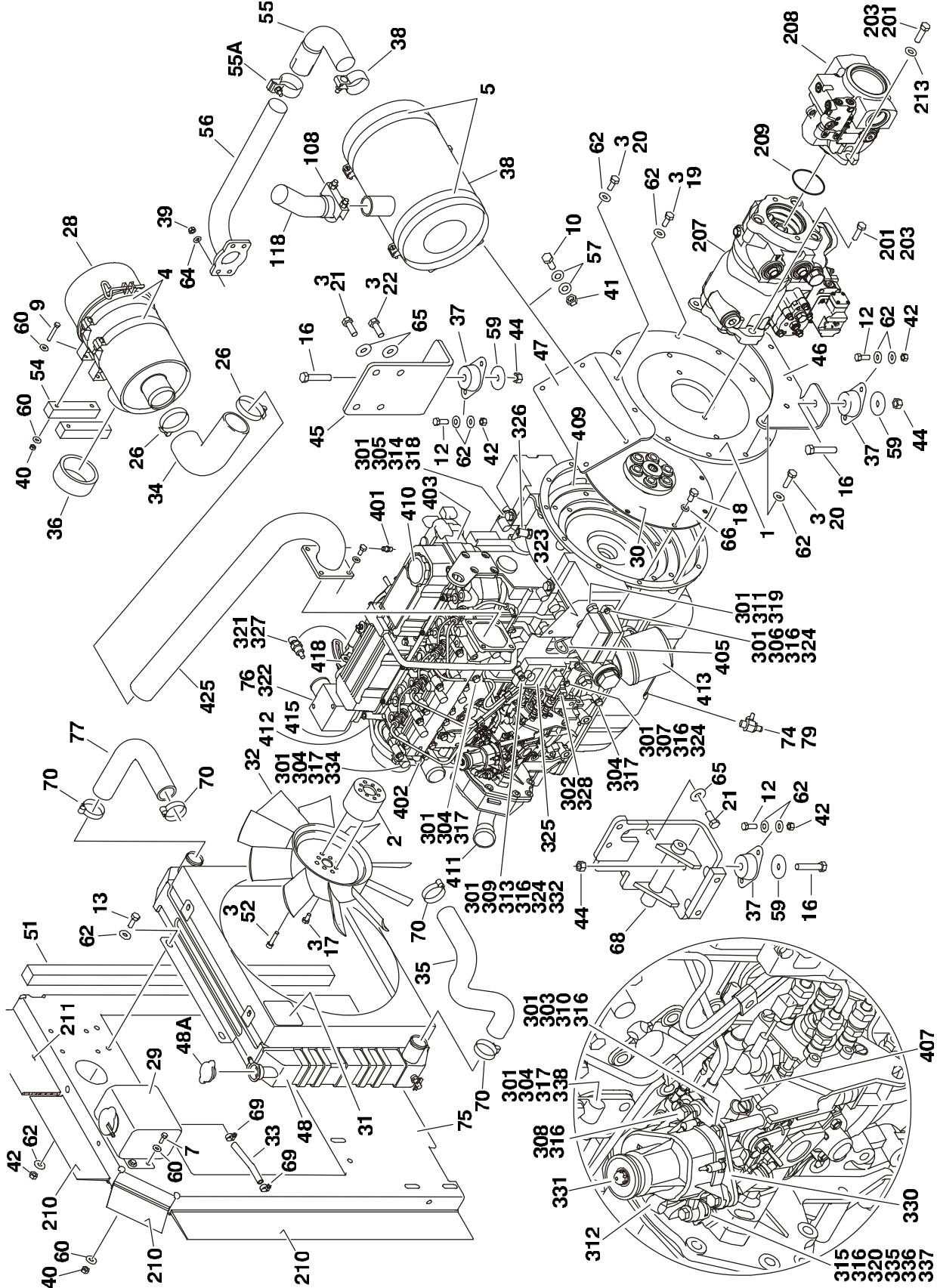
## SECTION 2 TURNTABLE

**FIGURE 2-4. SWING MOTOR/HUB ASSEMBLY (CONTINUED)**

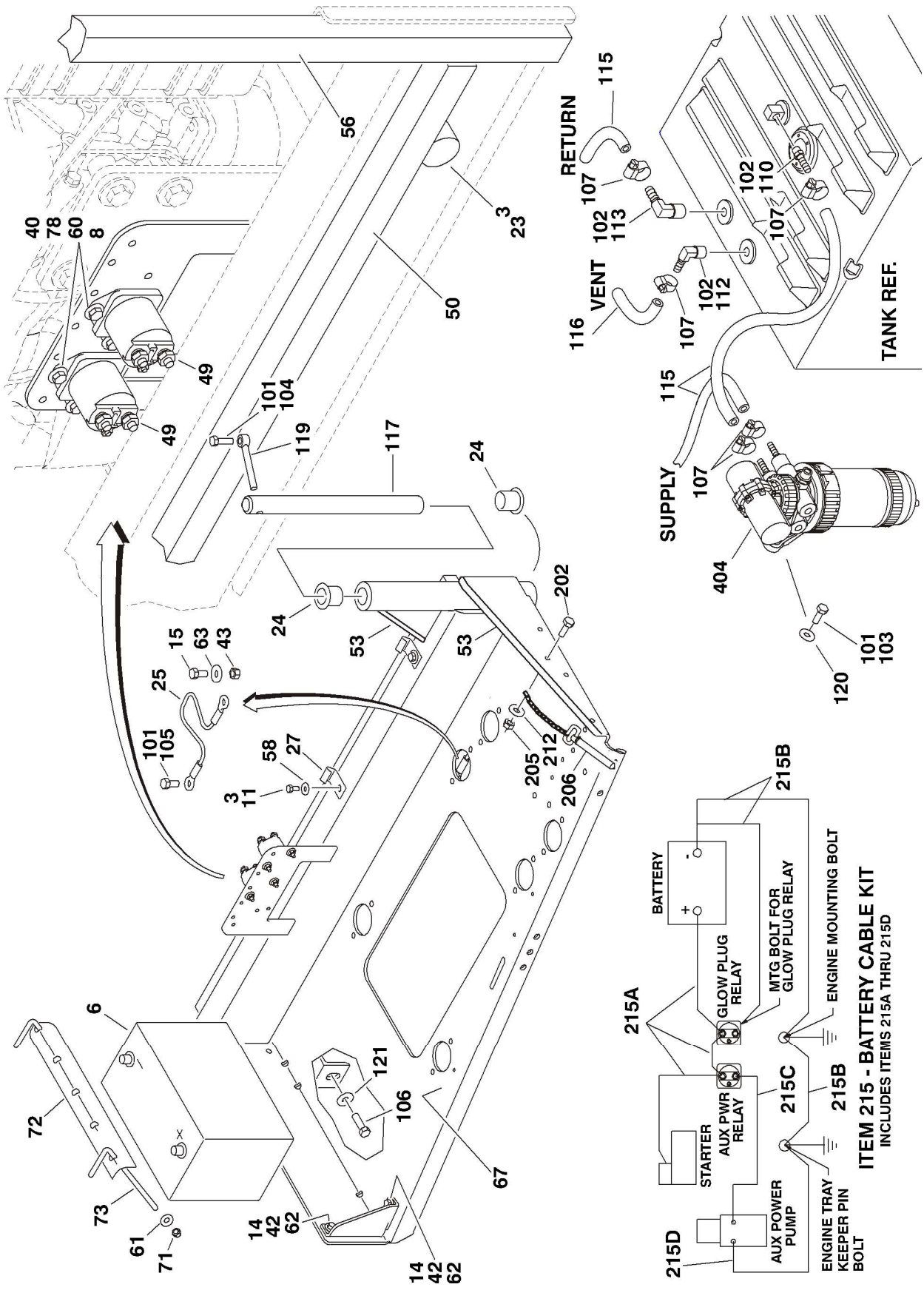
ITEM #	PART NUMBER	QTY.	DESCRIPTION	REV.
23	7017023	2	Plug, Pipe	
24	See Note	1	Plate, ID <b>(Note: Not Available for Purchase.)</b>	
25	7000281	2	Screw, Drive	
26	7024763	1	O-Ring	
27	Not Used			
28	See Note	2	Lug, Lifting <b>(Note: Not Available for Purchase.)</b>	
29	70002069	2	Bolt 1/2in-13NC x 2in (Grade 8)	
30	7017085	2	Elbow	
31	70002075	1	Motor Assembly (See Items 101-125 for Breakdown)	
32	7024784	1	Valve Assembly - Complete (No Serviceable Parts)	
33 to 34	Not Used			
35	70002074	1	Tube	
36 to 43	Not Used			
44	7017028	1	Ring, Internal Retaining	
	70002075	Ref.	<b>MOTOR ASSEMBLY</b>	
101	7024454	5	Bolt	
102	7004035	1	Cover, End	
103	7023318	1	Seal, Commutator	
104	7004036	5	Seal, Ring	
105	7024453	1	Commutator and Ring Assembly	
106	Use 7024453	1	Ring	
107	7024379	1	Manifold	
108	7024455	1	Rotor Set	
109	7024380	1	Plate, Wear	
110	7024456	1	Link, Drive	
111	Not Used			
112	7024458	1	Shaft, Coupling	
113	7024381	1	Bearing, Inner	
114	7004043	1	Washer, Thrust	
115	7004044	1	Bearing, Thrust	
116	7004049	1	Seal, Inner	
117	7004045	1	Washer, Back-up	
118	7024457	1	Housing	
119	7024390	1	Bearing, Outer	
120	7004047	1	Seal	
121 to 124	Not Used			
125	80424043	1	Washer, Back-up	
		Ref.	<b>KIT OPTIONS:</b>	
200		1	Seal Kit Options:	
200A	7024100		Swing Hub (Includes Items 1B, 1I, 5, 5A & 11)	
200B	70002086		Swing Brake (Includes Items 8D, 8E, 8F, 8H & 26)	
200C	7024396		Swing Motor (Includes Items 103, 104, 116, 117, 120 & 125)	
201	70002085	1	Disc Kit - Swing Brake (Includes Items 8J & 8K)	

# SECTION 2 TURNTABLE

FIGURE 2-5. CATERPILLAR ENGINE INSTALLATION



# SECTION 2 TURNTABLE



## SECTION 2 TURNTABLE

FIGURE 2-5. CATERPILLAR ENGINE INSTALLATION

ITEM #	PART NUMBER	QTY.	DESCRIPTION	REV.
	1001109065	Ref.	<b>CATERPILLAR TIER IVi ENGINE ASSEMBLY</b>	D
1	0080181	1	Adaptor, Pump Mounting Plate	
2	0080243	1	Adaptor, Fan Spacer	
3	0100011	A/R	Compound, Locking	
4	0340041	2	Band, Mounting	
5	0340046	2	Band, Muffler	
6	0400075	1	Battery	
7	0641406	4	Bolt 1/4in-20NC x 3/4in	
8	0641407	4	Bolt 1/4in-20NC x 7/8in	
9	0701414	4	Bolt 1/4in-20NC x 3/4in	
10	0641507	4	Bolt 5/16in-18NC x 7/8in	
11	0641606	2	Bolt 3/8in-16NC x 3/4in	
12	0641608	8	Bolt 3/8in-16NC x 1in	
13	0641609	4	Bolt 3/8in-16NC x 1-1/8in	
14	0641610	4	Bolt 3/8in-16NC x 1-1/4in	
15	0641808	1	Bolt 1/2in-13NC x 1in	
16	0641820	4	Bolt 1/2in-13NC x 2-1/2in	
17	0700808	4	Bolt M8 x 16mm	
18	0701010	8	Bolt M10 x 20mm	
19	0701012	4	Bolt M10 x 25mm	
20	0701015	8	Bolt M10 x 35mm	
21	0711214	5	Bolt M12 x 30mm	
22	0771212	3	Bolt M12 x 25mm	
23	0940070	1	Bumper, Rubber	
24	0961986	2	Bearing, Flange	
25	1060637	1	Lanyard	
26	1320016	2	Clamp, Hose	
27	1320223	4	J-Clip 1/2in	
28	1340060	1	Air Cleaner Assembly	
	7012664	1	Element, Air Cleaner	
29	1580011	1	Container, Coolant Overflow	
30	1660239	1	Coupling, Pump	
31	1703162	2	Decal - Fan Blade	
32	2060025	1	Fan	
33	2720058	.33ft	Hose	
34	2720434	1	Elbow, Rubber	
35	2720509	1	Hose, Radiator (Bottom)	
36	2720515	1	Seal, Air Cleaner	
37	3200406	4	Mount, Engine	
38		1	Muffler Options:	
	3220113		Spark Arresting Muffler	
	70001017	1	Clamp	
	1001107116		Catalytic Muffler	
	70002705	1	Clamp	
	70002706	1	Plug, Brass	
39	3290801	4	Nut M8 x 1.25	
40	3311405	12	Locknut 1/4in-20NC	
41	3311505	4	Locknut 5/16in-18NC	

## SECTION 2 TURNTABLE

**FIGURE 2-5. CATERPILLAR ENGINE INSTALLATION (CONTINUED)**

ITEM #	PART NUMBER	QTY.	DESCRIPTION	REV.
42	3311605	A/R	Locknut 3/8in-16NC	
43	3311801	1	Nut 1/2in-13NC	
44	3311805	4	Locknut 1/2in-13NC	
45	3574206	1	Plate, Motor Mount	
46	3574207	1	Plate, Engine Mount (Rear)	
47	3574208	1	Bracket, Muffler	
48	3620047	1	Radiator	
48A	7027412	1	Cap	
49	3740067	3	Relay, Solenoid Assembly	
50	3960468	1	Seal, Foam Gasket	
51	3960469	1	Seal, Foam Gasket	
52	4031911	4	Bolt Metric M8 x 35mm	
53	4060805	2ft/0.7mm	Flex-Trim 1/4in	
54	4220191	2	Block, Spacer	
55	4567073	1	Tube, Exhaust	
55A	70001017	1	Clamp	
56	4568721	1	Exhaust Tube Weldment	
57	4711500	8	Flatwasher 5/16in (Narrow)	
58	4711600	2	Flatwasher 3/8in (Narrow)	
59	4740274	4	Washer, Snubbing	
60	4751400	24	Flatwasher 1/4in	
61	4751500	2	Flatwasher 5/16in	
62	4751600	44	Flatwasher 3/8in	
63	4751800	1	Flatwasher	
64	4811900	4	Flatwasher M8	
65	4812100	8	Flatwasher 12m	
66	4832000	8	Lockwasher M10	
67	4846790	1	Tray Engine	
68	4846805	1	Mount, Engine/Generator - Left	
69	8405009	2	Clamp, Hose	
70	8405104	4	Clamp, Hose	
71	88521205	2	Locknut, Nylon Insert 5/16in-18NC	
72	91401281	1	Hold-down, Battery	
73	1001093382	2	Bolt, Battery Hold-down	
74		1	Valve, Oil Drain Options:	
	Use 4640750		USA Built Machines S/N 0300140000 to S/N 0300141103 Only (was p/n 1001105833)	
	4640750		USA Built Machines S/N 0300141103 to Present Only & China Built Machines S/N B300000100 to Present Only	
75	1001109595	1	Plate, Radiator Mounting	
76	1001112077	1	Caterpillar Tier IVi Engine Assembly	
77	1001107705	1	Hose, Radiator (Top)	
78	4791400	4	Starwasher 1/4in	
79	0100020	A/R	Sealant, Pipe (USA Built Machines S/N 0300141103 to Present Only & China Built Machines S/N B300000100 to Present Only)	

## SECTION 2 TURNTABLE

**FIGURE 2-5. CATERPILLAR ENGINE INSTALLATION (CONTINUED)**

ITEM #	PART NUMBER	QTY.	DESCRIPTION	REV.
		Ref.	<b>CATERPILLAR TIER IVi ENGINE INSTALLATIONS</b>	
	100110212	Ref.	<b>Machines Without Arctic Package</b>	D
	100110213	Ref.	<b>Machines With Arctic Package</b>	C
101	0100011	A/R	Compound, Locking	
102	0100020	A/R	Sealant, Thread	
103	0641608	2	Bolt 3/8in-16NC x 1in	
104	0641610	1	Bolt 3/8in-16NC x 1-1/4in	
105	0641808	1	Bolt 1/2in-13NC x 1in	
106	0642010	1	Bolt 5/8in-11NC x 1-1/4in	
107	1320022	7	Clamp, Hose	
108	1320176	1	Clamp	
109	1701505	1	Decal - Diesel (Not Shown - Located on Hood)	
110	2180348	1	Fitting, Barbed	
111	2200222	1	Plug, Pipe (Not Shown - Located in Bottom of Fuel Tank)	
112	2220313	1	Fitting,90°	
113	2221176	1	Fitting,90°	
114		2.63gl/9.96Li	Anti-Freeze Options (Not Shown):	
	2300004		Without Arctic Package	
	2300041		With Arctic Package	
115	2720058	30ft/9.1m	Hose	
116	2750532	6ft./1.8m	Hose 3/8in	
117	3422446	1	Pin, Pivot	
118	3460544	1	Pipe, Exhaust	
119	3841143	1	Keeper, Pin	
120	4711600	2	Flatwasher 3/8in Narrow	
121	4752000	1	Flatwasher 5/8in	
122	Not Used			
		Ref.	<b>Note: Arctic Package Items 123 - 126 Not Shown - Used on Arctic Machines Only</b>	
123	1060625	1	Cable, Immersion Heater (Located on bottom of Hydraulic Oil Tank)	
124	1320223	1	Clamp	
125	1702943	1	Decal - Hydraulic Tank Heater (Located on bottom of Hydraulic Oil Tank)	
126	2580050	1	Heater, Hydraulic Tank (Located on bottom of Hydraulic Oil Tank)	
		Ref.	<b>CATERPILLAR TIER IVi ENGINE W/PUMPS ASSEMBLIES</b>	
	1001110206	Ref.	<b>Machines Without Arctic Package</b>	B
	1001110205	Ref.	<b>Machines With Arctic Package</b>	C
201	0100011	A/R	Compound, Locking	
202	0641407	1	Bolt 1/4in-20NC x 7/8in	
203	0641812	4	Bolt 1/2in-13NC x 1-1/2in	
204		2.5gal/9.4Li	Motor Oil Options (Not Shown):	
	3020016		Without Arctic Package - Motor Oil 15W-40	
	3020044		With Arctic Package - Motor Oil 0W-40	
205	3311405	1	Locknut 1/4in-20NC	
206	3422532	1	Pin, Hitch	

## SECTION 2 TURNTABLE

**FIGURE 2-5. CATERPILLAR ENGINE INSTALLATION (CONTINUED)**

ITEM #	PART NUMBER	QTY.	DESCRIPTION	REV.
207	3600410	1	Piston Pump Assembly (See Figure 2-8 for Breakdown)	
208	3600411	1	Load Sensing Pump Assembly with Fittings (See Figure 2-9 for Breakdown)	
209	3790044	1	O-Ring	
210	3960548	42in/1m	Seal, Hood	
211	3960549	1ft/0.3mm	Seal	
212	4751400	1	Flatwasher 1/4in	
213	4891800	2	Flatwasher 1/2in Hardened	
214	Not Used			
215	1001112762	1	Battery Cable Kit	B
215A	7027028	1	Cable, Battery (Red)	
215B	7027029	1	Cable, Battery (Black)	
215C	7027030	1	Cable (Red)	
215D	7027031	1	Cable (Black)	
		Ref.	<b>Note: Arctic Package Items 216 - 226 Not Shown - Used on Arctic Machines Only</b>	
216	0641608	2	Bolt 3/8in-16NC x 1in	
217	1060626	1	Cord, 3-Way Extension (Located on Left Front of Engine)	
218	1320223	2	Clamp	
219	1702941	1	Decal - Battery Heater (Located on Battery Heater)	
220	1702942	1	Decal - Engine Block Heater (Located on Right Side of Engine)	
221	1702944	1	Decal - Heater Cord (Located on Left Front of Engine)	
222	2580024	1	Heater, Battery (Located on Battery)	
223	2580055	1	Heater, Block (Located on Left Side of Engine)	
224	3311605	2	Locknut 3/8in-16NC	
225	3980007	1	Seat, Battery (Located Under Battery)	
226	4751600	2	Flatwasher 3/8in Wide	
	1001112077	Ref.	<b>CATERPILLAR TIER IVi ENGINE W/ECM ASSEMBLY</b>	E
301	0100011	A/R	Compound, Locking	
302	0100020	A/R	Sealant, Thread	
303	0700620	1	Bolt M6 x 60mm	
304	0700808	5	Bolt M8 x 16mm	
305	0701010	2	Bolt M10 x 20mm	
306	0760606	2	Bolt M6 x 12mm	
307	0760610	2	Bolt M6 x 20mm	
308		3	Bolt M6 x 25mm Options: USA Built Machines S/N 0300140000 to S/N 0300141319 Only USA Built Machines S/N 0300141319 to Present Only & China Built Machines S/N B300000100 to Present Only	
	0760612			
	4031709			
309	8303541	1	Screw M6 x 35mm	
310	0700616	2	Bolt M6 x 40mm	
311	0761210	2	Bolt M12 x 20mm	
312	8406009	1	Clamp, Cable	
313	1320224	1	Clamp, Cable	
314	8406105	2	Clip, Tube	
315	3290507	1	Locknut M5	
316	4811700	12	Flatwasher 6mm	
317	4811900	5	Flatwasher 8mm	



## SECTION 2 TURNTABLE

**FIGURE 2-5. CATERPILLAR ENGINE INSTALLATION (CONTINUED)**

ITEM #	PART NUMBER	QTY.	DESCRIPTION	REV.
318	4812000	2	Flatwasher 10mm	
319	4812100	2	Flatwasher 12mm	
320	4811600	1	Flatwasher 5mm	
321	1001097553	1	Washer, Coolant Sensor	
322	1001109064	1	Caterpillar Tier IVi Engine Assembly	
323	1001112057	1	Bracket	
324	1001112059	5	Bumper	
325	1001112067	1	Module, ECM	
326	1001112068	1	Sensor, Speed	
327	1001112069	1	Sensor, Temperature	
328	1001112070	1	Switch, Oil Pressure	
329	1001112071	1	Harness, Engine (Not Shown - See Section 7 for Breakdown)	
330	1001112072	1	Bracket	
331	1001112073	1	Actuator	
	1001112849	1	Linkage Assy	
332	1001112570	1	Spacer	
333	Not Used			
334	1320263	1	Clamp, Cable	
335	1001112075	1	Bolt	
336	1001112592	1	Bearing	
337	1001116595	1	Spacer	
338	8406109	1	Clip, Tube	
	1001109064	Ref.	<b>ENGINE COMPONENTS</b>	B
401	70001051	1	Valve, Crankcase Actuator Shut-Off	
402	70001120	1	Pump, Water	
	70001742	1	Pulley, Water Pump	
	70002765	1	Hose, By-Pass (Not Shown)	
403	See Note		Head, Cylinder ( <b>Note: Not Available for Purchase.</b> )	
	7026801	1	Gasket, Valve Cover	
	70002764	1	Gasket, Rear Head	
	70002762	15	Seat, Valve	
	70002761	17	Bolt, Head	
404	7026839	1	Pump, Fuel Supply	
	7026830	1	Element, Fuel Filter	
	70002834	1	Bowl, Water Collection	
	70002835	1	Seal Kit - Water Separator	
	70002833	1	Ring, Fuel Pump Retaining	
405	70002844	1	Dipstick Oil Level	
	70002843	1	Seal, Dipstick Tube	
406	70002845	1	Pump, Oil (Not Shown)	
	70002846	1	O-Ring, Oil Pump (Not Shown)	
407	70002849	1	Pump, Fuel Injection	
	70002847	1	O-Ring, Fuel Injection Pump Flange	
	70002848	1	Gasket, Fuel Injection Pump	
	70002850	1	Solenoid, Fuel Shut-Off	
408	Not Used			

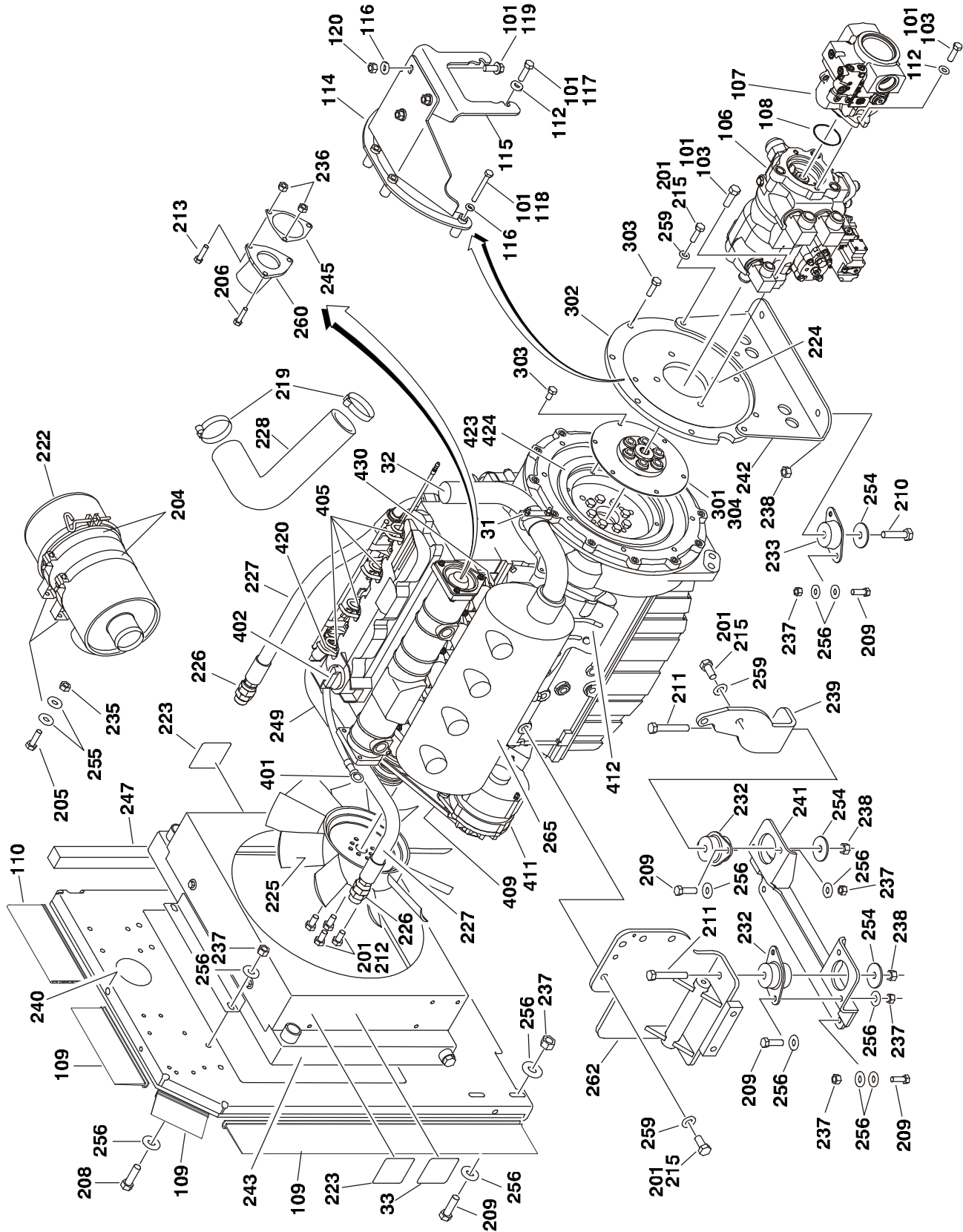
## SECTION 2 TURNTABLE

**FIGURE 2-5. CATERPILLAR ENGINE INSTALLATION (CONTINUED)**

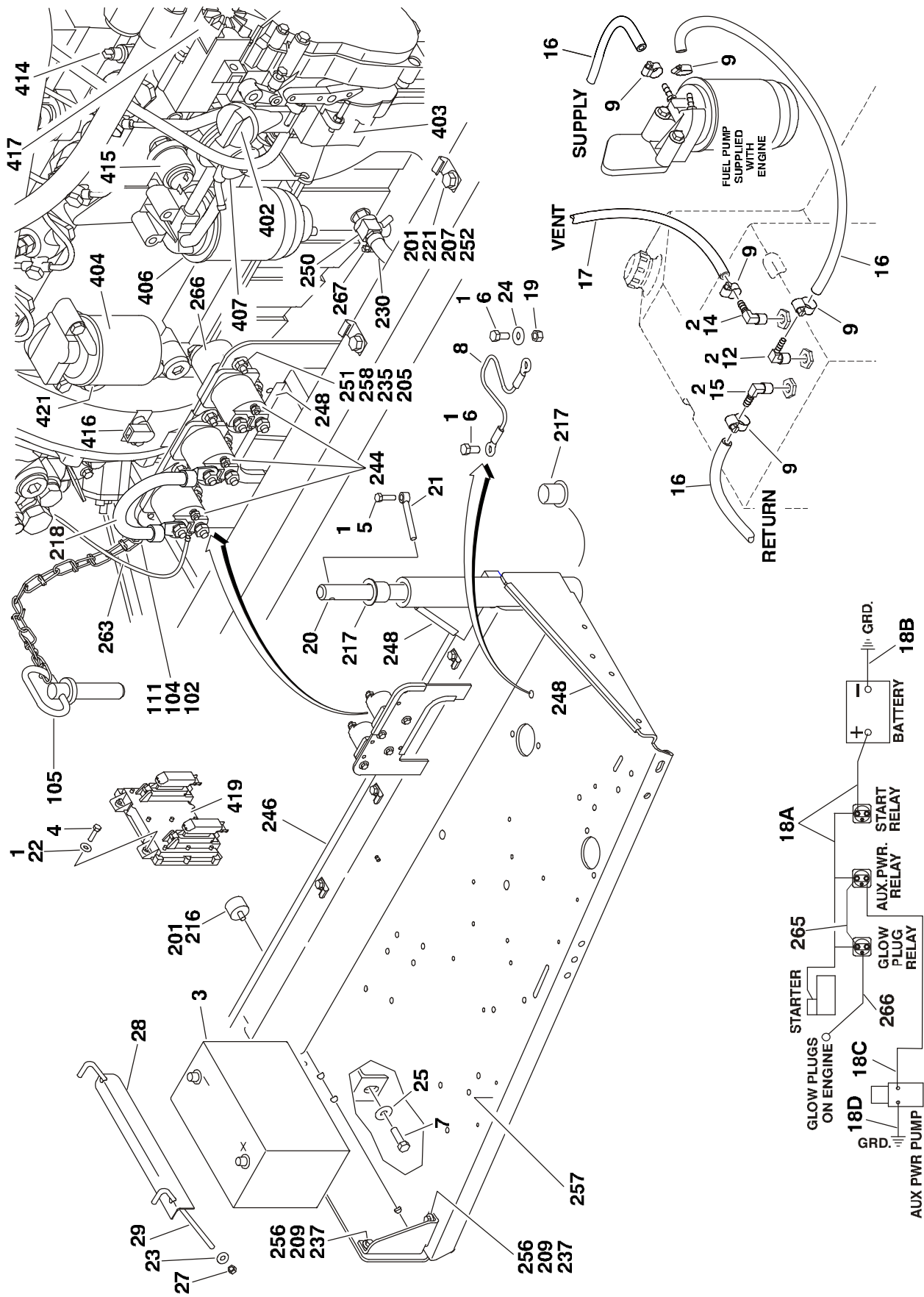
ITEM #	PART NUMBER	QTY.	DESCRIPTION	REV.
409	7026802	1	Flywheel	
	7026803	1	Gear, Flywheel	
	7026804	1	Gasket (Not Shown - Between Flywheel Housing & Engine Block)	
	7026805	1	Seal, Rear Main (Not Shown - Rear of Flywheel Housing)	
	7026807	1	Seal, Front Main (Located in Front Housing)	
410	7026800	1	Cap Oil Filler (Top of Valve Cover)	
411	7026806	1	Cap, Filler (Front Side of Engine)	
412	7026810	1	V-Belt	
413	7026811	1	Filter, Oil	
	7026812	1	O-Ring (Between Bolt & Oil Filter Bracket)	
	7026813	1	O-Ring (Between Oil Filter Bracket & Engine Block)	
414	7026819	1	Engine Cooler Assembly (Not Shown)	
	7026816	2	O-Ring (Between Cover & Cooler)	
	7026817	4	O-Ring (Between Cover & Cooler)	
415	7026822	1	Thermostat	
	7026821	1	Gasket (Between Regulator & Thermostat Housing)	
	7026820	1	Gasket (Between Regulator & Engine Head)	
416	7026814	1	Relief Valve, Oil Pressure (Not Shown)	
	7026815		Gasket, Relief Valve	
417	See Note	4	Injector, Fuel (Not Shown) <b>(Note: Not Available for Purchase.)</b>	
	70002763	4	Gasket, Fuel Line (Not Shown)	
418	7026831	1	Alternator	
419	7026832	1	Plug, Glow (Not Shown)	
420	7026833	1	Starter (Not Shown - Located on other side of engine)	
421	7026826	1	Gasket, Exhaust Manifold to Cylinder Head (Not Shown)	
	7026827	1	Gasket, Exhaust Manifold to Exhaust Pipe (Not Shown)	
	70002852	4	Stud, Exhaust Manifold (Not Shown)	
422	7026829	1	Gasket, Intake Manifold to Cylinder Head (Not Shown)	
	7026828	1	Gasket, Intake Manifold to Intake Tube (Not Shown)	
423	7026808	1	Plug, Oil Pan (Not Shown)	
	7026809	1	Gasket, Oil Plug	
424	70002851	1	Gasket Kit (Not Shown)	
425	4569371	1	Tube, Intake	

# SECTION 2 TURNTABLE

FIGURE 2-6. DEUTZ ENGINE INSTALLATION



# SECTION 2 TURNTABLE



## SECTION 2 TURNTABLE

FIGURE 2-6. DEUTZ ENGINE INSTALLATION

ITEM #	PART NUMBER	QTY.	DESCRIPTION	REV.
		Ref.	<b>DEUTZ ENGINE INSTALLATION</b>	
		Ref.	<b>Tier III Engines</b>	
	1001099829	Ref.	<b>Without Arctic Package (All Specs USA Built Machines S/N 0300140000 to S/N 0300170337 &amp; China Built Machines S/N B300000100 to S/N B300000753)</b>	B
	1001099829	Ref.	<b>Without Arctic Package (All Specs Except ANSI, CE &amp; CSA Specs USA Built Machines S/N 0300170337 to Present &amp; China Built Machines S/N B300000753 to Present)</b>	B
	1001100382	Ref.	<b>With Arctic Package (ANSI, ANSI Export &amp; CSA Specs USA Built Machines S/N 0300140000 to S/N 0300170337 &amp; China Built Machines S/N B300000100 to S/N B300000753)</b>	B
	1001100382	Ref.	<b>With Arctic Package (ANSI Export Spec USA Built Machines S/N 0300170337 to Present &amp; China Built Machines S/N B300000753 to Present)</b>	B
		Ref.	<b>Tier IVi-Flex Engines</b>	
	1001137740	Ref.	<b>Without Arctic Package (ANSI, CE &amp; CSA Specs USA Built Machines S/N 0300170337 to Present &amp; China Built Machines S/N B300000753 to Present)</b>	A
	1001137743	Ref.	<b>With Arctic Package (ANSI &amp; CSA Specs USA Built Machines S/N 0300170337 to Present &amp; China Built Machines S/N B300000753 to Present)</b>	A
	1001144323	Ref.	<b>Tier IVi-PRE Engines (CE Spec Only USA Built Machines S/N 0300170337 to Present &amp; China Built Machines S/N B300000753 to Present)</b>	A
1	0100011	A/R	Compound, Locking	
2	0100020	A/R	Sealant, Pipe	
3	0400075	1	Battery	
4	0641412	4	Bolt 1/4in-20NC x 1-1/2in	
5	0641610	1	Bolt 3/8in-16NC x 1-1/4in	
6	0641808	2	Bolt 1/2in-13NC x 1in	
7	0642010	1	Bolt 5/8in-11NC x 1-1/4in	
8	1060637	1	Cable, Lanyard	
9	1320022	5	Clamp, Hose	
10	1320223	1	Clamp (Not Shown - Located on Turntable to clamp fuel line)	
11	1701505	1	Decal - Diesel (Not Shown - Located on Hood)	
12	2180348	1	Fitting, Straight Barbed	
13	2200222	1	Fitting, Plug (Not Shown - Located on Fuel Tank for Drain)	
14	2220313	1	Fitting, 90°	
15	2221176	1	Fitting, 90° Barbed	
16	2720058	30ft/9.2m	Hose	
17	2750532	7ft/2.1m	Hose	
18	2902401		Battery Cable Kit	B
18A	1001116288	1	Cable, Battery (Red)	
18B	7027004	1	Cable, Battery (Black)	
18C	7016824	1	Cable (Red)	
18D	7016825	1	Cable (Black)	
19	3311801	1	Nut 1/2in-13NC	
20	3422446	1	Pin, Pivot	
21	3841143	1	Pin, Keeper	
22	4711400	4	Flatwasher 1/4in (Narrow)	

# SECTION 2 TURNTABLE

**FIGURE 2-6. DEUTZ ENGINE INSTALLATION (CONTINUED)**

ITEM #	PART NUMBER	QTY.	DESCRIPTION	REV.
23	4751500	2	Flatwasher 5/16in	
24	4751800	1	Flatwasher 1/2in Wide	
25	4752000	1	Flatwasher 5/8in Wide	
26	4922737	1	Harness, Engine Grounding (Not Shown)	
27	88521205	2	Locknut, Nylon Insert 5/16in-18NC	
28	91401281	1	Hold-down, Battery	
29	1001093382	2	Bolt, Battery Hold-down	
30	Not Used			
31	1320176	1	Clamp	
32	1001101948	1	Tube, Exhaust	
33		1	Decal - Warning Explosion/Fire	
	1704972		ANSI Spec	
	1706098		Australian & CE Spec	
	1706059		Brazilian Spec	
	1706060		Chinese Spec	
	1706064		CSA Spec	
	1706062		Japanese Spec	
	1706061		Korean Spec	
	1706063		Spanish Language	
		Ref.	<b>Note: Arctic Package Items 34 - 43 Not Shown - Used on Arctic Machines Only</b>	
34	1060626	1	Cord, 3 Way Extension (Located on Left Front of Engine)	
35	1702941	1	Decal - Battery Heater (Located on Battery Heater)	
36	1702942	1	Decal - Engine Block Heater (Located on Right Side of Engine)	
37	1702943	1	Decal - Hydraulic Tank Heater (Located on bottom of Hydraulic Oil Tank)	
38	1702944	1	Decal - Heater Cord (Located on Left Front of Engine)	
39	2580024	1	Heater, Battery (Located on Battery)	
40	2580050	1	Heater, Hydraulic Tank (Located on bottom of Hydraulic Oil Tank)	
41	0641608	1	Bolt 3/8in-16NC x 1in	
42	1060625	1	Cable, Immersion Heater (Located on bottom of Hydraulic Oil Tank)	
43	1320223	2	Clamp	
		Ref.	<b>ENGINE AND PUMP ASSEMBLIES</b>	
		Ref.	<b>Tier III Engines</b>	
	1001099828	Ref.	<b>Without Arctic Package (All Specs USA Built Machines S/N 0300140000 to S/N 0300170337 &amp; China Built Machines S/N B300000100 to S/N B300000753)</b>	D
	1001099828	Ref.	<b>Without Arctic Package (All Specs Except ANSI, CE &amp; CSA Specs USA Built Machines S/N 0300170337 to Present &amp; China Built Machines S/N B300000753 to Present)</b>	D
	1001100381	Ref.	<b>With Arctic Package (ANSI, ANSI Export &amp; CSA Specs USA Built Machines S/N 0300140000 to S/N 0300170337 &amp; China Built Machines S/N B300000100 to S/N B300000753)</b>	C
	1001100381	Ref.	<b>With Arctic Package (ANSI Export Spec USA Built Machines S/N 0300170337 to Present &amp; China Built Machines S/N B300000753 to Present)</b>	C

## SECTION 2 TURNTABLE

**FIGURE 2-6. DEUTZ ENGINE INSTALLATION (CONTINUED)**

ITEM #	PART NUMBER	QTY.	DESCRIPTION	REV.
		Ref.	<b>Tier IVi-Flex Engines</b>	
	1001137739	Ref.	<b>Without Arctic Package (ANSI, CE &amp; CSA Specs USA Built Machines S/N 0300170337 to Present &amp; China Built Machines S/N B300000753 to Present)</b>	A
	1001137742	Ref.	<b>With Arctic Package (ANSI &amp; CSA Specs USA Built Machines S/N 0300170337 to Present &amp; China Built Machines S/N B300000753 to Present)</b>	A
	1001144321	Ref.	<b>Tier IVi-PRE Engines (CE Spec Only USA Built Machines S/N 0300170337 to Present &amp; China Built Machines S/N B300000753 to Present)</b>	A
101	0100011	A/R	Compound, Locking	
102	0641407	1	Bolt 1/4in-20NC x 7/8in	
103	0641812	2	Bolt 1/2in-13NC x 1-1/2in	
104	3311405	1	Locknut 1/4in-20NC	
105	3422532	1	Pin, Hitch	
106	3600410	1	Piston Pump Assembly with Fittings (See Figure 2-8 for Breakdown)	
107	3600411	1	Load Sensing Pump Assembly with Fittings (See Figure 2-9 for Breakdown)	
108	3790044	1	O-Ring	
109	3960548	3.66ft/1.1m	Seal, Hood	
110	3960549	1ft/0.3m	Seal, Hood	
111	4751400	2	Flatwasher 1/4in Wide	
112	4891800	2	Flatwasher, Hardened	
113	Not Used			
114	1001137898	1	Bracket, Support (S/N 0300161434 to Present)	
115	1001137899	1	Plate, Mounting (S/N 0300161434 to Present)	
116	4891600	7	Flatwasher 3/8in Hardened (S/N 0300161434 to Present)	
117		2	Bolt Options:	
	0641812		Bolt 1/2in-13NC x 1-1/2in (S/N 0300140000 to S/N 0300161434)	
	0641814		Bolt 1/2in-13NC x 1-3/4in (S/N 0300161434 to Present)	
118	0711025	4	Bolt M10 x 85mm (S/N 0300161434 to Present)	
119	0791608	3	Bolt 3/8in-16NC x 1in (S/N 0300161434 to Present)	
120	3311605	3	Locknut 3/8in-16NC (S/N 0300161434 to Present)	
		Ref.	<b>ENGINE AND PUMP ASSEMBLIES</b>	
		Ref.	<b>Tier III Engines</b>	
	1001098508	Ref.	<b>Without Arctic Package (All Specs USA Built Machines S/N 0300140000 to S/N 0300170337 &amp; China Built Machines S/N B300000100 to S/N B300000753)</b>	G
	1001098508	Ref.	<b>Without Arctic Package (All Specs Except ANSI, CE &amp; CSA Specs USA Built Machines S/N 0300170337 to Present &amp; China Built Machines S/N B300000753 to Present)</b>	G
	1001099640	Ref.	<b>With Arctic Package (ANSI, ANSI Export &amp; CSA Specs USA Built Machines S/N 0300140000 to S/N 0300170337 &amp; China Built Machines S/N B300000100 to S/N B300000753)</b>	G
	1001099640	Ref.	<b>With Arctic Package (ANSI Export Spec USA Built Machines S/N 0300170337 to Present &amp; China Built Machines S/N B300000753 to Present)</b>	G

# SECTION 2 TURNTABLE

**FIGURE 2-6. DEUTZ ENGINE INSTALLATION (CONTINUED)**

ITEM #	PART NUMBER	QTY.	DESCRIPTION	REV.
		Ref.	<b>Tier IVi-Flex Engines</b>	
	1001137738	Ref.	<b>Without Arctic Package (ANSI, CE &amp; CSA Specs USA Built Machines S/N 0300170337 to Present &amp; China Built Machines S/N B300000753 to Present)</b>	A
	1001137741	Ref.	<b>With Arctic Package (ANSI &amp; CSA Specs USA Built Machines S/N 0300170337 to Present &amp; China Built Machines S/N B300000753 to Present)</b>	A
	1001144320	Ref.	<b>Tier IVi-PRE Engines (CE Spec Only USA Built Machines S/N 0300170337 to Present &amp; China Built Machines S/N B300000753 to Present)</b>	A
201	0100011	A/R	Compound, Locking	
202 to 203	Not Used			
204	0340041	2	Band, Air Cleaner	
205	0641407	10	Bolt 1/4in-20NC x 7/8in	
206	0641510	2	Bolt 5/16in-18NC x 1-1/4in	
207	0641606	2	Bolt 3/8in-16NC x 3/4in	
208	0641609	6	Bolt 3/8in-16NC x 1-1/8in	
209	0641610	16	Bolt 3/8in-16NC x 1-1/4in	
210	0641818	2	Bolt 1/2in-13NC x 2-1/4in	
211	0641826	2	Bolt 1/2in-13NC x 3-1/4in	
212	0700808	4	Bolt M8 x 16mm	
213	0641512	1	Bolt 5/16in-18NC x 1-1/2in	
214	Not Used			
215	0701414	10	Bolt M14 x 130mm	
216	0940070	1	Bumper	
217	0961986	2	Bushing, Flanged	
218	1060904	1	Cable, Jumper (USA Built Machines S/N 0300140000 to S/N 0300140567 Only)	
219	1320016	2	Clamp	
220	Not Used			
221	1320223	4	J-Clip	
222	1340060	1	Air Cleaner Assembly Including Filter Element	
	7012664	1	Element, Filter (Not Shown)	
223	1703162	2	Decal - Caution Fan Blade	
224	1703162	2	Plug, Hole	
225	2060025	1	Fan	
226	2220451	2	Fitting, Straight	
227	2720398	2	Hose, Oil Cooler	
228	1001091179	1	Elbow, Rubber	
229	Not Used			
230		A/R	Hose, Oil Drain Options:	
	1001091892	6in/15cm	USA Built Machines S/N 0300140000 to S/N 0300141456 Only	
	2750532	1ft/0.3m	USA Built Machines S/N 0300141456 to Present Only & China Built Machines S/N B300000100 to Present Only	
231		3.75gal	Oil, Motor Options (Not Shown):	
	3020016		Without Arctic Package	
	3020044		With Arctic Package	
232	3200362	2	Mount, Motor	
233	3200406	2	Mount, Motor	



## SECTION 2 TURNTABLE

**FIGURE 2-6. DEUTZ ENGINE INSTALLATION (CONTINUED)**

ITEM #	PART NUMBER	QTY.	DESCRIPTION	REV.
234	Not Used			
235	3311405	10	Locknut 1/4in-20NC	
236	3311505	3	Locknut 5/16in-18NC	
237	3311605	22	Locknut 3/8in-16NC	
238	3311805	4	Locknut 1/2in-13NC	
239	3537416	1	Plate, Engine Mounting (Front Right Side)	
240	3539872	1	Plate, Radiator Mounting	
241	3539971	1	Plate, Engine Mounting (Front Bottom)	
242	1001093943	1	Plate, Engine Mounting (Rear)	
243	3620033	1	Radiator	
244	3740067	3	Relay	
245	3960407	1	Gasket, Air Intake	
246	3960468	1	Seal	
247	3960469	1	Seal	
248	4060805	37in/1m	Flex-Trim	
249		1	Engine, Deutz Options:	
	1001094101		Tier III Engines (All Specs USA Built Machines S/N 030014000 to S/N 0300170337 & China Built Machines S/N B300000100 to S/N B300000753)	
	1001094101		Tier III Engines (All Specs Except ANSI, CE & CSA Specs USA Built Machines S/N 0300170337 to Present & China Built Machines S/N B300000753 to Present)	
	1001137737		Tier IVi-Flex Engines (ANSI, CE & CSA Specs USA Built Machines S/N 0300170337 to Present & China Built Machines S/N B300000753 to Present)	
	1001144319	Ref.	Tier IVi-PRE Engines (CE Spec Only USA Built Machines S/N 0300170337 to Present & China Built Machines S/N B300000753 to Present)	
250		1	Valve, Oil Drain Options:	
	Use 4640751		USA Built Machines S/N 0300140000 to S/N 0300141456 Only (was p/n 1001104308)	
	4640751		USA Built Machines S/N 0300141456 to Present Only & China Built Machines S/N B300000100 to Present Only	
251	4711400	6	Flatwasher 1/4in Narrow	
252	4711600	3	Flatwasher 3/8in (Narrow)	
253	Not Used			
254	4740274	4	Washer, Snubbing	
255	4751400	8	Flatwasher 1/4in Wide	
256	4751600	44	Flatwasher 3/8in Wide	
257	1001094321	1	Tray, Engine	
258	4791400	6	Starwasher 1/4in	
259	4812200	10	Flatwasher M14	
260	4845395	1	Adapter, Air Intake	
261	Not Used			
262	4846566	1	Plate, Engine Mounting (Front Left Side)	
263	4923379	1	Harness, Glowplug	
264	Not Used			

# SECTION 2 TURNTABLE

**FIGURE 2-6. DEUTZ ENGINE INSTALLATION (CONTINUED)**

ITEM #	PART NUMBER	QTY.	DESCRIPTION	REV.
265	1001099051 1001101241  1320176 70001017 7024560	1     1	Muffler Options: Spark Arresting (Standard) Catalytic (Optional) Muffler Components: Saddle Clamp Used on Spark Arresting Band Clamp Used on Catalytic Plug, Brass	
266	3740080	1	Relay	
267	1320022	1	Clamp (USA Built Machines S/N 0300141456 to Present Only & China Built Machines S/N B300000100 to Present Only)	
		Ref.	<b>Note: Arctic Package Item 268 Not Shown - Used on Arctic Machines Only</b>	
268	2580062	1	Heater, Engine Block	
	2902065	Ref.	<b>PUMP COUPLING INSTALLATION - TIER III ENGINES</b>	E
301	70000793	1	Coupling	
302	Use 2902065	1	Plate, Pump Adapter ( <b>Note: Not Available for Purchase.</b> )	
303	Use 2902065	18	Capscrew M10 ( <b>Note: Not Available for Purchase.</b> )	
304	3020021	A/R	Grease, Coupling	
		Ref.	<b>ENGINE COMPONENTS</b>	
	1001094101	Ref.	<b>Tier III Engines (All Specs USA Built Machines S/N 030014000 to S/N 0300170337 &amp; China Built Machines S/N B300000100 to S/N B300000753)</b>	B
	1001094101	Ref.	<b>Tier III Engines Without Arctic Package (All Specs Except ANSI, CE &amp; CSA Specs USA Built Machines S/N 0300170337 to Present &amp; China Built Machines S/N B300000753 to Present)</b>	B
	1001137737	Ref.	<b>Tier IVi-Flex Engines (ANSI,CE &amp; CSA Specs USA Built Machines S/N 0300170338 to Present &amp; China Built Machines S/N B300000752 to Present)</b>	A
	1001144319	Ref.	<b>Tier IVi-PRE Engines (CE Spec Only USA Built Machines S/N 0300170337 to Present &amp; China Built Machines S/N B300000753 to Present)</b>	A
401	7026631	1	Dipstick	
	7020487	1	O-Ring, Dipstick	
402	7020465	1	Cap, Filler	
403	70001850	1	Pump, Oil Lube	
	7020468	1	Seal Between Oil Pump & Engine Block (Not Shown)	
404	7016331	1	Filter, Oil	
	70001848	1	Sensor at Oil Filter	
	70001132	1	Seal, Sensor at Oil Filter	
405		4	Pump, Injector Options: Series A Injector Series B Injector Series C Injector Series D Injector	
406	8320270	1	Filter, Fuel	

## SECTION 2 TURNTABLE

**FIGURE 2-6. DEUTZ ENGINE INSTALLATION (CONTINUED)**

ITEM #	PART NUMBER	QTY.	DESCRIPTION	REV.
407	70000916	1	Pump, Fuel Supply	
	70001435	1	Kit, Repair	
	70000919	1	Hand Pump	
	70000918	1	Seal, Hand Pump	
	70000917	1	O-Seal Between Fuel Pump & Engine Block (Not Shown)	
408	7020449	4	Gasket, Intake Manifold (Not Shown)	
409	7020408	1	V-Belt	
410	7020471	4	Gasket, Exhaust Manifold to Engine Block (Not Shown)	
	70001835	1	Gasket, Exhaust (Header to EGR Valve Block) (Not Shown)	
	70001836	1	Gasket, Exhaust (Engine Head to Header) (Not Shown)	
	70001837	1	Gasket, Exhaust (Exhaust Tube to Muffler) (Not Shown)	
	70001838	2	Gasket, Exhaust (EGR Valve Block to Exhaust Tube) (Not Shown)	
	70001874	1	Plate Choke (Between 70001838 Gaskets) (Not Shown)	
	70001839	1	Flange, Sealing (Near Front of Header) (includes Seal & Pin) (Not Shown)	
	70001841	1	Valve, EGR (Not Shown)	
411	7000663	1	Alternator	
	70001868	1	Regulator, Voltage (Not Shown)	
	70001866	1	Gasket, Regulator (Not Shown)	
	70002234	1	Bracket, Adjusting (Not Shown)	
412	7020479	1	Starter	
	7026608	1	Solenoid	
413	See Note	2	Plug- In Connector (Not Shown) <b>(Note: Not Available for Purchase.)</b>	
414	7027791	1	Transmitter, Temperature	
	See Note	1	Ring, Sealing <b>(Note: Not Available for Purchase.)</b>	
415	7027790	1	Sensor, Oil Pressure	
416	7024565	1	Sensor, Speed	
417	7027792	1	Actuator, Throttle	
418	Not Used			
419	7027795	1	Module, EMR2 Controller	
	7027796	1	Harness. EMR2 Module	
420	70000345	4	Plug, Glow	
421	7020459	1	Thermostat	
422	Not Used			
423	70001870	1	Flywheel	
424	7024579	1	Rim, Gear	
425	Not Used			
426	Not Used			
427	70001847	1	Breather Valve (Not Shown)	
	70001126	1	Seal, Breather Valve (Not Shown)	
428		1	Gasket, Cylinder Head Options (Not Shown):	
	70002415		1 Notch	
	70002416		2 Notches	
	70002417		3 Notches	
429	Not Used			
430	70002200	8	Stud (Used to attach muffler)	
431	70001872	1	Harness. Engine (Not Shown)	
	7027793	1	Plug, Connector	

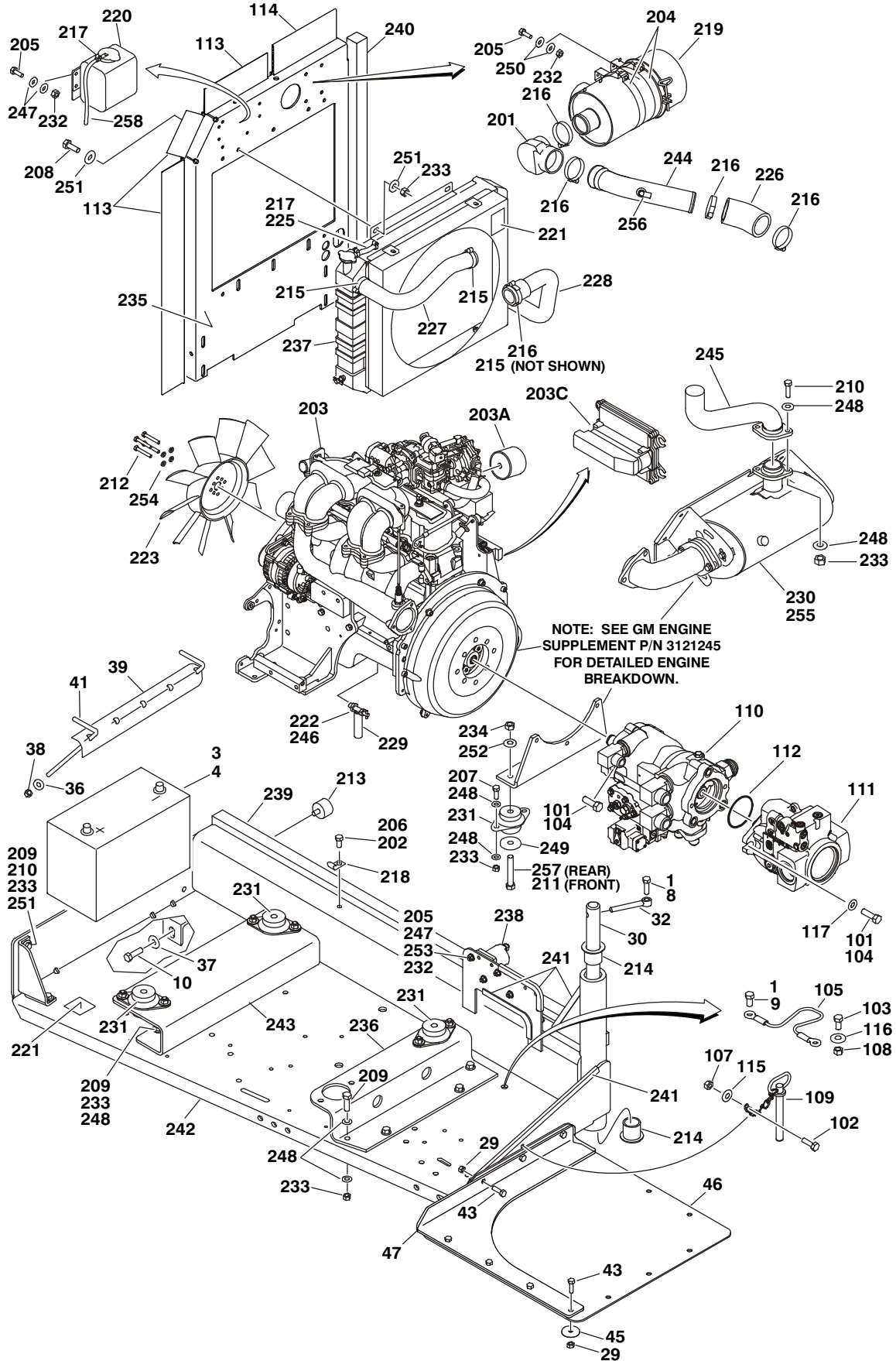
# SECTION 2 TURNTABLE

FIGURE 2-6. DEUTZ ENGINE INSTALLATION (CONTINUED)

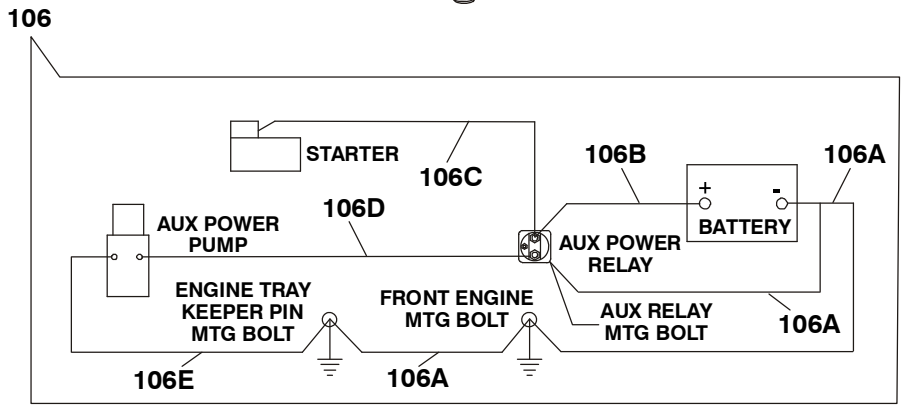
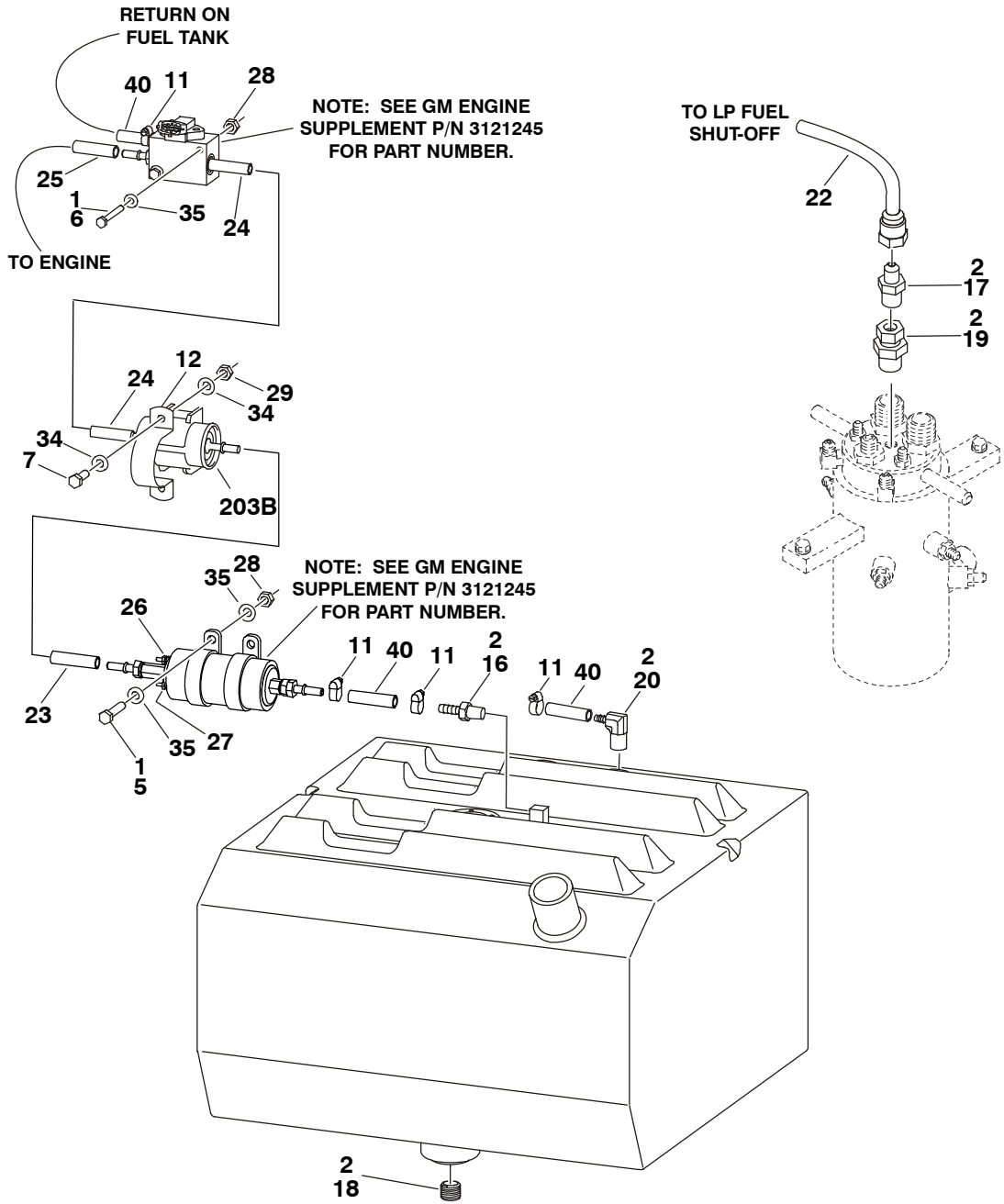
ITEM #	PART NUMBER	QTY.	DESCRIPTION	REV.

# SECTION 2 TURNTABLE

## FIGURE 2-7. GM ENGINE INSTALLATION



# SECTION 2 TURNTABLE



## SECTION 2 TURNTABLE

**FIGURE 2-7. GM ENGINE INSTALLATION**

ITEM #	PART NUMBER	QTY.	DESCRIPTION	REV.
	1001114634	Ref.	<b>GM 3.0L TIER III/IV ENGINE INSTALLATION</b>	B
1	0100011	A/R	Compound, Locking	
2	0100020	A/R	Sealant, Pipe	
3	0100048	A/R	Grease, Dielectric	
4	0400075	1	Battery (Wet)	
5	0641412	2	Bolt 1/4in-20NC x 1-1/2in	
6	0641422	2	Bolt 1/4in-20NC x 2-3/4in	
7	0641511	2	Bolt 5/16in-18NC x 1-3/8in	
8	0641608	1	Bolt 3/8in-16NC x 1in	
9	0641808	1	Bolt 1/2in-13NC x 1in	
10	0642010	1	Bolt 5/8in-11NC x 1-1/4in	
11	1320022	4	Clamp, Fuel Line	
12	1320323	1	Clamp	
13	1700818	2	Decal - LP Gas (Liquid) (Not Shown)	
14	1701542	1	Decal, Gas (Not Shown)	
15	1701543	2	Decal, LPG (Not Shown)	
16	2180348	1	Fitting, Barbed	
17	2180418	1	Fitting, Straight	
18	2200222	1	Fitting, Plug	
19	2220005	1	Fitting, Straight	
20	2221176	1	Fitting, 90°	
21	2300004	2.63gal.	Fluid, Anti-Freeze (Not Shown)	
22	2720392	1	Hose, LP	
23	2720566	1	Hose, Hi Pressure Fuel Line (6in/15cm Length)	
24	2720567	1	Hose, Hi Pressure Fuel Line (4ft/1.2m Length)	
25	2720580	1	Hose	
26	3290405	1	Locknut M4 x 0.7	
27	3290505	1	Locknut M5 x 0.8	
28	3311405	4	Locknut 1/4in x 20NC	
29	3311505	A/R	Locknut 5/16in-18NC	
30	3422446	1	Pin	
31	3790012	1	O-Ring (Not Shown - Located in Console Box)	
32	3841143	1	Keeper	
33	4360336	1	Switch, Toggle (Not Shown - Located in Console Box)	
34	4711500	4	Flatwasher 5/16in Narrow	
35	4751400	8	Flatwasher 1/4in (Wide)	
36	4751500	2	Flatwasher 5/16in	
37	4752000	1	Flatwasher 5/8in Wide	
38	88521205	2	Locknut, Nylon Insert 5/16in-18NC	
39	91401281	1	Angle, Battery Hold Down	
40	1001091587	8.5ft/2.6m	Hose, Fuel Line	
41	1001093382	2	Bolt, Battery Hold-down	
42	Not Used			
43	0641508	7	Bolt 5/16in-18NC x 1in	
44	4240018	1	Strap, Cable Tie (Not Shown)	
45	4740508	4	Washer	
46	1001121891	1	Panel, Rubber (USA Built Machines S/N 0300143288 to Present Only & China Built Machines S/N B300000143 to Present Only)	

## SECTION 2 TURNTABLE

**FIGURE 2-7. GM ENGINE INSTALLATION (CONTINUED)**

ITEM #	PART NUMBER	QTY.	DESCRIPTION	REV.
47	1001125468	1	Bracket, Air Baffle (USA Built Machines S/N 0300143288 to Present Only & China Built Machines S/N B300000143 to Present Only)	
48 to 49	Not Used			
	1001114633	Ref.	<b>GM ENGINE AND PUMP SUB-ASSEMBLIES</b>	C
101	0100011	A/R	Compound, Locking	
102	0641406	1	Bolt 1/4in-20NC x 3/4in	
103	0641808	1	Bolt 1/2in-13NC x 1in	
104	0641812	4	Bolt 1/2in-13NC x 1-1/2in	
105	1060637	1	Cable, Lanyard	
106	2902533	1	Battery Cable Kit	B
106A	7027018	1	Cable (Battery - to Ground)	
106B	7027015	1	Cable (Battery + to Auxiliary Relay)	
106C	7027017	1	Cable (Auxiliary Relay to Starter)	
106D	7016824	1	Cable (Auxiliary Relay to Auxiliary Pump)	
106E	7016825	1	Cable (Ground to Auxiliary Pump)	
107	3311405	1	Locknut 1/4in-20NC	
108	3311805	1	Locknut 1/2in-13NC	
109	3422532	1	Pin, Hitch	
110	3600410	1	Piston Pump Assembly with Fittings (See Figure 2-8 for Breakdown)	
111	3600411	1	Load Sensing Pump Assembly with Fittings (See Figure 2-9 for Breakdown)	
112	3790044	1	O-Ring	
113	3960548	3.66ft/1.1m	Seal	
114	3960549	1ft/0.3m	Seal	
115	4711400	1	Flatwasher 1/4in (Narrow)	
116	4751800	1	Flatwasher 1/2in Wide	
117	4891800	2	Flatwasher, 1/2in Hardened	
	1001114632	Ref.	<b>GM ENGINE ASSEMBLY</b>	C
201	0080201	1	Adapter, 90°	
202	0100011	A/R	Compound, Locking	
203	1001114595	1	Engine, GM 3.0L (See GM Engine Supplement P/N 3121245 for Breakdown of Additional Components)	
203A	7027965	1	Filter, Oil	
203B	7027972	1	Filter, Fuel	
203C	70002895	1	Module, Control (ECU)	
203D	70000164	4	Sparkplug (Not Shown)	
204	0340041	2	Band, Mounting	
205	0641406	10	Bolt 1/4in-20NC x 3/4in	
206	0641606	3	Bolt 3/8in-16NC x 3/4in	
207	0641608	8	Bolt 3/8in-16NC x 1in	
208	0641609	4	Bolt 3/8in-16NC x 1-1/8in	
209	0641610	10	Bolt 3/8in-16NC x 1-1/4in	
210	0641612	4	Bolt 3/8in-16NC x 1-1/2in	
211	0641828	2	Bolt 1/2in-13NC x 3-1/2in	



## SECTION 2 TURNTABLE

FIGURE 2-7. GM ENGINE INSTALLATION (CONTINUED)

ITEM #	PART NUMBER	QTY.	DESCRIPTION	REV.
212	0700810	4	Bolt M8 x 20mm	
213	0940070	1	Bumper	
214	0961986	2	Bearing, Flanged	
215	1320012	3	Clamp	
216	1320016	5	Clamp	
217	1320022	A/R	Clamp	
218	1320223	3	Clamp	
219	1340060	1	Air Cleaner Assembly	
	7012664	1	Element, Air Cleaner	
220	1580011	1	Container, Coolant Overflow	
221	1703162	2	Decal - Caution Fan	
222	0100020	A/R	Locking Compound	
223	2060025	1	Fan	
224	Not Used			
225	2720058	5.5in/14cm	Hose	
226	1001116544	1	Duct	
227	2720563	1	Hose, Radiator (Top)	
228	2720564	1	Hose, Radiator (Bottom)	
229		A/R	Hose Options:	
	1001091892	6in/15.2cm	USA Built Machines S/N 0300140000 to S/N 0300140809 Only	
	2750532	1ft/0.3m	USA Built Machines S/N 0300140809 to Present Only & China Built Machines S/N B300000100 to Present Only	
230	1001091794	1	Insulation, Muffler	
231	3200362	4	Mount, Engine	
232	3311405	12	Locknut 1/4in-20NC	
233	3311605	26	Locknut 3/8in-16NC	
234	3311805	4	Locknut 1/2in-13NC	
235	3539872	1	Plate, Radiator Mounting	
236	3572280	1	Plate, Engine Mount	
237	3620040	1	Radiator	
	7019656	1	Cap, Radiator	
238	3740067	1	Relay	
239	3960468	1	Seal	
240	3960469	1	Seal	
241	4060805	3ft/0.9m	Flex-Trim	
242	4341239	1	Tray, Engine	
243	4341241	1	Mount, Engine (Front)	
244	1001116545	1	Tube, Intake	
245	4569394	1	Pipe, Exhaust	
246		1	Valve, Oil Drain Options:	
	Use 4640952		USA Built Machines S/N 0300140000 to S/N 0300141456 Only (was p/n 1001105872)	
	4640952		USA Built Machines S/N 0300141456 to Present Only & China Built Machines S/N B300000100 to Present Only	
247	4711400	12	Flatwasher 1/4in Narrow	
248	4711600	36	Flatwasher 3/8in Narrow	
249	4740274	4	Flatwasher, Snubbing	
250	4751400	8	Flatwasher 1/4in Wide	
251	4751600	16	Flatwasher 3/8in Wide	
252	4751800	4	Flatwasher 1/2in Wide	

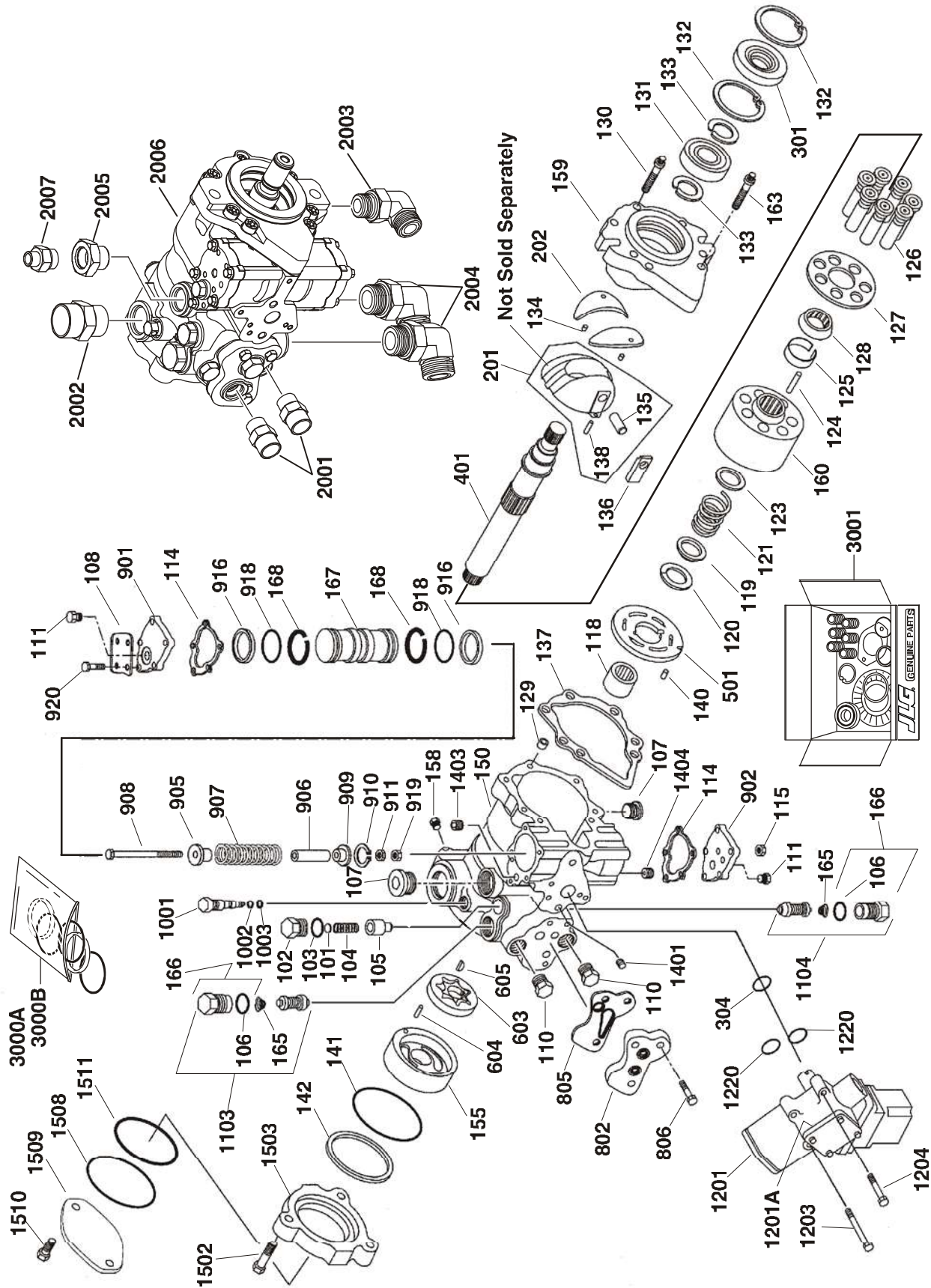
## SECTION 2 TURNTABLE

FIGURE 2-7. GM ENGINE INSTALLATION (CONTINUED)

ITEM #	PART NUMBER	QTY.	DESCRIPTION	REV.
253	4791400	2	Starwasher 1/4in	
254	4831900	4	Lockwasher 8mm	
255	4920385	10ft/3m	Wire, Safety	
256	2180877	1	Fitting 90°	
257	0641826	2	Bolt 1/2in-13NC x 3-1/4in	
258	2720271	18in/46cm	Hose	

# SECTION 2 TURNTABLE

## FIGURE 2-8. PISTON PUMP ASSEMBLY



## SECTION 2 TURNTABLE

**FIGURE 2-8. PISTON PUMP ASSEMBLY**

ITEM #	PART NUMBER	QTY.	DESCRIPTION	REV.
	3600295	Ref.	<b>PISTON PUMP ASSEMBLIES</b>	A
1 to 100	Not Used			
101	7007413	1	Shim Kit	
102	7007414	1	Plug	
103	Use 2900752	1	O-Ring	
104	7021200	1	Spring, Relief Valve	
105	7007417	1	Valve, Relief	
106	Use 2900752	2	O-Ring (Part of Items 1103 & 1104)	
107	7007419	2	Plug	
108	7021201	1	Bracket, Lifting	
109	Not Used			
110	7007470	2	Plug	
111	7007470	2	Plug	
112 to 113	Not Used			
114	Use 2900752	2	Gasket, Servo Cover	
115	7007423	1	Nut, Special	
116 to 117	Not Used			
118	7007425	1	Bearing, Needle	
119	Use 7010116	1	Ring, Retaining	
120	Use 7010116	1	Washer	
121	Use 7010116	1	Spring	
122	Not Used			
123	Use 7010116	1	Washer	
124	Use 7010116	1	Retainer	
125	Use 7010116	3	Pin, Slipper Holddown	
126	Use 7010116	7	Piston Assembly	
127	Use 7010116	1	Retainer, Slipper	
128	Use 7010116	1	Guide, Retainer	
129	7007435	1	Pin, Spring	
130	7021202	1	Screw, 12 Point Head	
131	7007437	1	Bearing, Ball	
132	7007438	2	Ring, Retainer	
133	7007439	2	Ring	
134	7021203	2	Pin, Spring	
135	7007441	1	Handle, Pin (Part of Item 201)	
136	7007442	1	Sleeve, Bearing	
137	Use 2900752	1	Gasket, Front Cover	
138	7021205	1	Pin (Part of Item 201)	
139	Not Used			
140	7007446	1	Pin	
141	Use 2900752	1	O-Ring	
142	Use 2900752	1	Ring, Load Temper	
143 to 149	Not Used			
150	7023977	1	Housing, Pump	
151 to 154	Not Used			
155	7007452	1	Cover, Gerotor	
156 to 157	Not Used			
158	7007208	1	Plug	

## SECTION 2 TURNTABLE

**FIGURE 2-8. PISTON PUMP ASSEMBLY (CONTINUED)**

ITEM #	PART NUMBER	QTY.	DESCRIPTION	REV.
159	7007454	1	Cover, Front	
160 to 162	Not Used			
163	7021207	6	Screw	
164	Not Used			
165	7021208	2	Spring (Part of Items 1103 & 1104)	
166	7021209	2	Plug, SCR (Part of Items 1103 & 1104)	
167	7007494	1	Piston, Servo	
168	Use 2900752	2	Bearing	
169 to 200	Not Used			
201	7007457	1	Swashplate Assembly (Includes Items 135 & 138)	
202	7021212	2	Journal, Bearing	
203 to 300	Not Used			
301	Use 2900752	1	Seal, Lip	
302 to 303	Not Used			
304	Use 2900752	1	O-Ring	
305 to 400	Not Used			
401	7021213	1	Shaft, Main Pump	
402 to 500	Not Used			
501	7021214	1	Plate, Valve	
502 to 602	Not Used			
603	7007463	1	Gerotor Assembly	
604	7007464	1	Pin	
605	7007465	1	Key, Woodruff	
606 to 801	Not Used			
802	7007466	1	Adaptor, Remote Filtration	
803 to 804	Not Used			
805	Use 2900752	1	Seal, Filter Adapter	
806	7021218	3	Screw	
807 to 900	Not Used			
901	7021219	1	Cover, Servo	
902	7021220	1	Cover, Servo	
903 to 904	Not Used			
905	7007483	1	Guide, Spring	
906	7007484	1	Stop, Servo	
907	7007485	1	Spring	
908	7021221	1	Screw	
909	7007487	1	Guide, Spring	
910	7007488	1	Ring, Retaining	
911	7021222	1	Nut	
912 to 915	Not Used			
916	See Note	2	Ring, Piston ( <b>Note: Use Items 3000A &amp; 3000B</b> )	
917	Not Used			
918	See Note	2	O-Ring ( <b>Note: Use Items 3000A &amp; 3000B</b> )	
919	7021206	1	Nut	
920	7021223	10	Screw	
921 to 1000	Not Used			
1001	7007472	1	Valve, Bypass	
1002	Use 2900752	1	Ring, Back-up	
1003	Use 2900752	1	O-Ring	

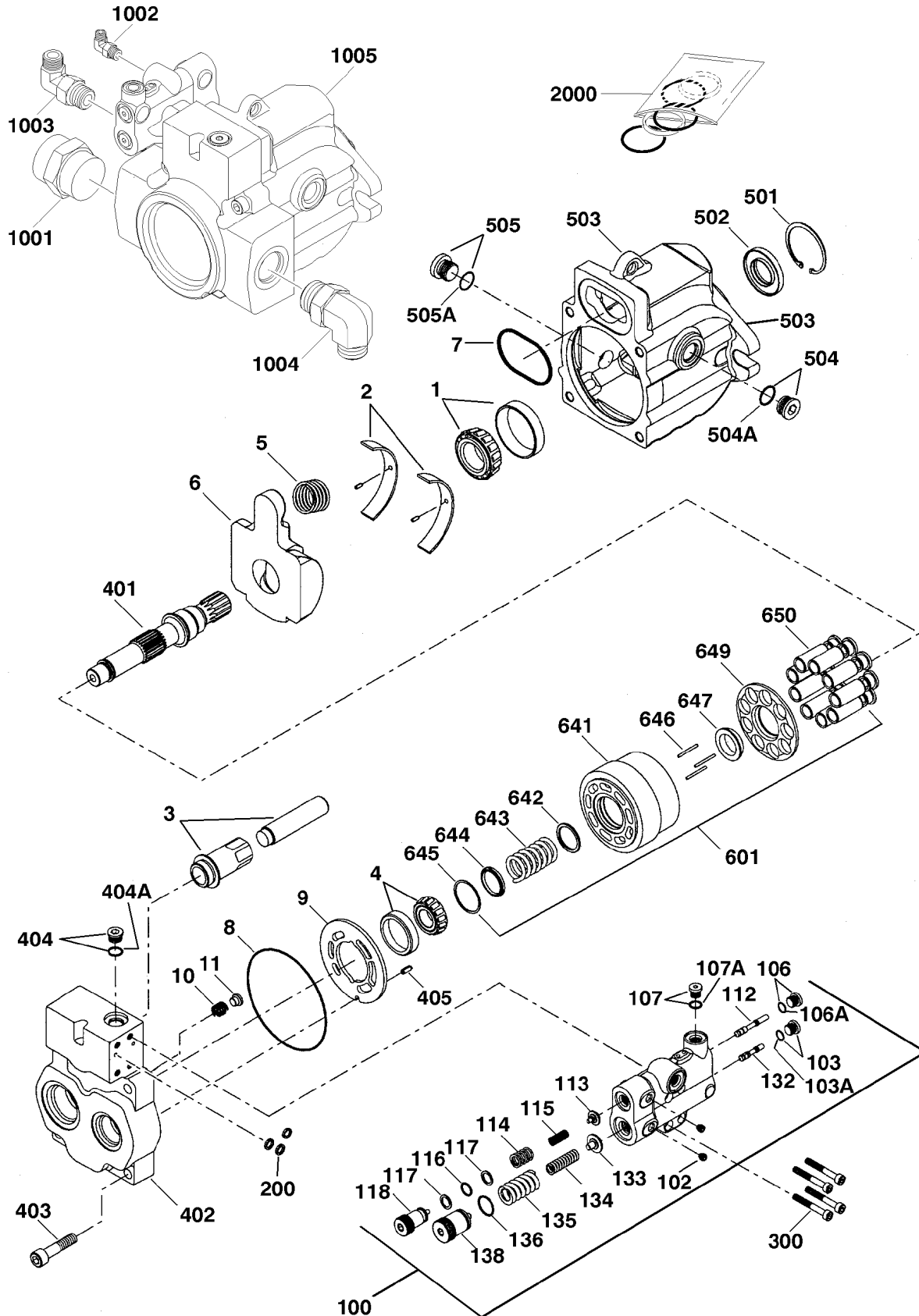
# SECTION 2 TURNTABLE

**FIGURE 2-8. PISTON PUMP ASSEMBLY (CONTINUED)**

ITEM #	PART NUMBER	QTY.	DESCRIPTION	REV.
1004to1102	Not Used			
1103	7010122	1	SCR Kit (Includes items 166, 106 & 165)	
1104	7010122	1	SCR Kit (Includes items 166, 106 & 165)	
1105to1200	Not Used			
1201	7007474	1	Control, Dual Oil-Filled	
	7007496	1	Coil Assembly (Pilot)	
	7007497	1	Plug (Pump)	
	7007498	1	Plug (Valve Harness)	
1201A	7024828	1	Gasket	
1202	Not Used			
1203	7007478	2	Screw	
1204	7001498	2	Screw	
1205to1219	Not Used			
1220	Use 2900752	2	O-Ring	
1221to1400	Not Used			
1401	7007475	1	Plug, Orifice/Screen (.156)	
1402	Not Used			
1403	7021226	1	Plug, Orifice	
1404	7021226	1	Plug, Orifice	
1402to1501	Not Used			
1502	7007453	3	Screw	
1503	7021227	1	Adapter, Flange	
1504to1507	Not Used			
1508	7021228	1	O-Ring	
1509	7021229	1	Plate, Cover	
1510	7021230	2	Screw	
1511	7021231	1	O-Ring	
	3600410	Ref.	<b>PISTON PUMP AND FITTING ASSEMBLY</b>	B
2001	2111010	2	Fitting, Straight	
2002	2111616	1	Fitting, Straight	
2003	2131212	1	Fitting, 90°	
2004	2131616	1	Fitting, 90°	
2005	2110408	1	Fitting, Straight	
2006	3600295	1	Pump Options (Includes Items 1 - 1511)	
2007	2220811	1	Fitting, Reducer	
		Ref.	<b>KIT OPTIONS:</b>	
3000		A/R	Seal Kit Options:	
3000A	2900752	1	Seal Kit - Complete (Includes Items 103, 106, 114, 137, 141, 142, 168, 301, 304, 805, 916, 918, 1002, 1003 & 1220)	
3000B	7007412	1	Seal Kit - Servo Piston (Includes Items 916 and 918)	
3001	7010116	1	Cylinder Block Kit (Includes Items 119-128)	

# SECTION 2 TURNTABLE

## FIGURE 2-9. LOAD SENSING PUMP ASSEMBLY



# SECTION 2 TURNTABLE

**FIGURE 2-9. LOAD SENSING PUMP ASSEMBLY**

ITEM #	PART NUMBER	QTY.	DESCRIPTION	REV.
	3600324	Ref.	<b>LOAD SENSING PUMP ASSEMBLY</b>	D
1	7023947	1	Bearing, Front (Includes Cup and Cone)	
2	7023948	1	Bearings, Swashplate (Includes Both Sides and Pins)	
3	7023949	1	Servo Piston Assembly	
4	7023950	1	Bearing, Rear (Includes Cup and Cone)	
5	7023951	1	Spring, Bias	
6	7023952	1	Swashplate	
7	Use 7023967	1	O-Ring	
8	Use 7023967	1	O-Ring	
9	7023953	1	Plate, Valve	
10	7023954	1	Spring, Check Valve	
11	7023955	1	Poppet, Check Valve	
-----				
100	7023956	1	Control Assembly	
101	Not Used			
102	See Note	2	Setscrew <b>(Note: Not Available for Purchase.)</b>	
103	See Note	1	Plug <b>(Note: Not Available for Purchase.)</b>	
103A	Use 7023967	1	O-Ring	
104 to 105	Not Used			
106	See Note	1	Plug <b>(Note: Not Available for Purchase.)</b>	
106A	Use 7023967	1	O-Ring	
107	See Note	1	Plug <b>(Note: Not Available for Purchase.)</b>	
107A	Use 7023967	1	O-Ring	
108 to 111	Not Used			
112	See Note	1	Spool, Control <b>(Note: Not Available for Purchase.)</b>	
113	See Note	1	Guide, Spring <b>(Note: Not Available for Purchase.)</b>	
114	See Note	1	Spring <b>(Note: Not Available for Purchase.)</b>	
115	See Note	1	Spring <b>(Note: Not Available for Purchase.)</b>	
116	Use 7023967	1	O-Ring	
117	Use 7023967	2	Ring, Back-up	
118	See Note	1	Plug, Adjusting <b>(Note: Not Available for Purchase.)</b>	
119 to 131	Not Used			
132	See Note	1	Spool, Control <b>(Note: Not Available for Purchase.)</b>	
133	See Note	1	Guide, Spring <b>(Note: Not Available for Purchase.)</b>	
134	See Note	1	Spring <b>(Note: Not Available for Purchase.)</b>	
135	See Note	1	Spring <b>(Note: Not Available for Purchase.)</b>	
136	Use 7023967	1	O-Ring	
137	Not Used			
138	See Note	1	Plug, PC Adjusting <b>(Note: Not Available for Purchase.)</b>	
-----				
200	Use 7023967	3	Ring, Seal	
-----				
300	7023957	4	Screw	
		1	-----	
401	7023958	1	Shaft	
402	7023959	1	Cap, End	
403	7023960	4	Screw	



## SECTION 2 TURNTABLE

**FIGURE 2-9. LOAD SENSING PUMP ASSEMBLY (CONTINUED)**

ITEM #	PART NUMBER	QTY.	DESCRIPTION	REV.
404	7022318	1	Plug	
404A	Use 7023967	1	O-Ring	
405	7023961	1	Pin	
-----				
501	7023962	1	Ring, Retaining	
502	Use 7023967	1	Seal, Lip	
503	7023963	1	Housing	
504	7023964	1	Plug	
504A	7007415	1	O-Ring	
505	7023964	1	Plug	
505A	7007415	1	O-Ring	
-----				
601	7023965	1	Cylinder Block Assembly	
602 to 640	Not Used			
641	Use 7023965	1	Block, Cylinder ( <b>Note: Not Available - Purchase Complete Cylinder Block Assy.</b> )	
642	See Note	1	Washer ( <b>Note: Not Available for Purchase.</b> )	
643	See Note	1	Spring ( <b>Note: Not Available for Purchase.</b> )	
644	See Note	1	Retainer, Spring ( <b>Note: Not Available for Purchase.</b> )	
645	See Note	1	Ring, Retaining ( <b>Note: Not Available for Purchase.</b> )	
646	7021275	3	Pin, Slipper	
647	See Note	1	Guide, Slipper ( <b>Note: Not Available for Purchase.</b> )	
648	Not Used			
649	See Note	1	Retainer, Slipper ( <b>Note: Not Available for Purchase.</b> )	
650	7023966	9	Piston Assembly	
	3600411	Ref.	<b>LOAD SENSING PUMP AND FITTING ASSEMBLY</b>	B
1001	2112424	1	Fitting, Straight	
1002	2130404	1	Fitting, 90°	
1003	2130810	1	Fitting, 90°	
1004	2131216	1	Fitting, 90°	
1005	3600324	1	Pump Options (Includes Items 1 - 650):	
		Ref.	<b>KIT OPTIONS:</b>	
2000	7023967	1	Seal Kit - Complete (Includes Items 7,8,103A,106A,107A, 116,117,136,200,404A & 502)	

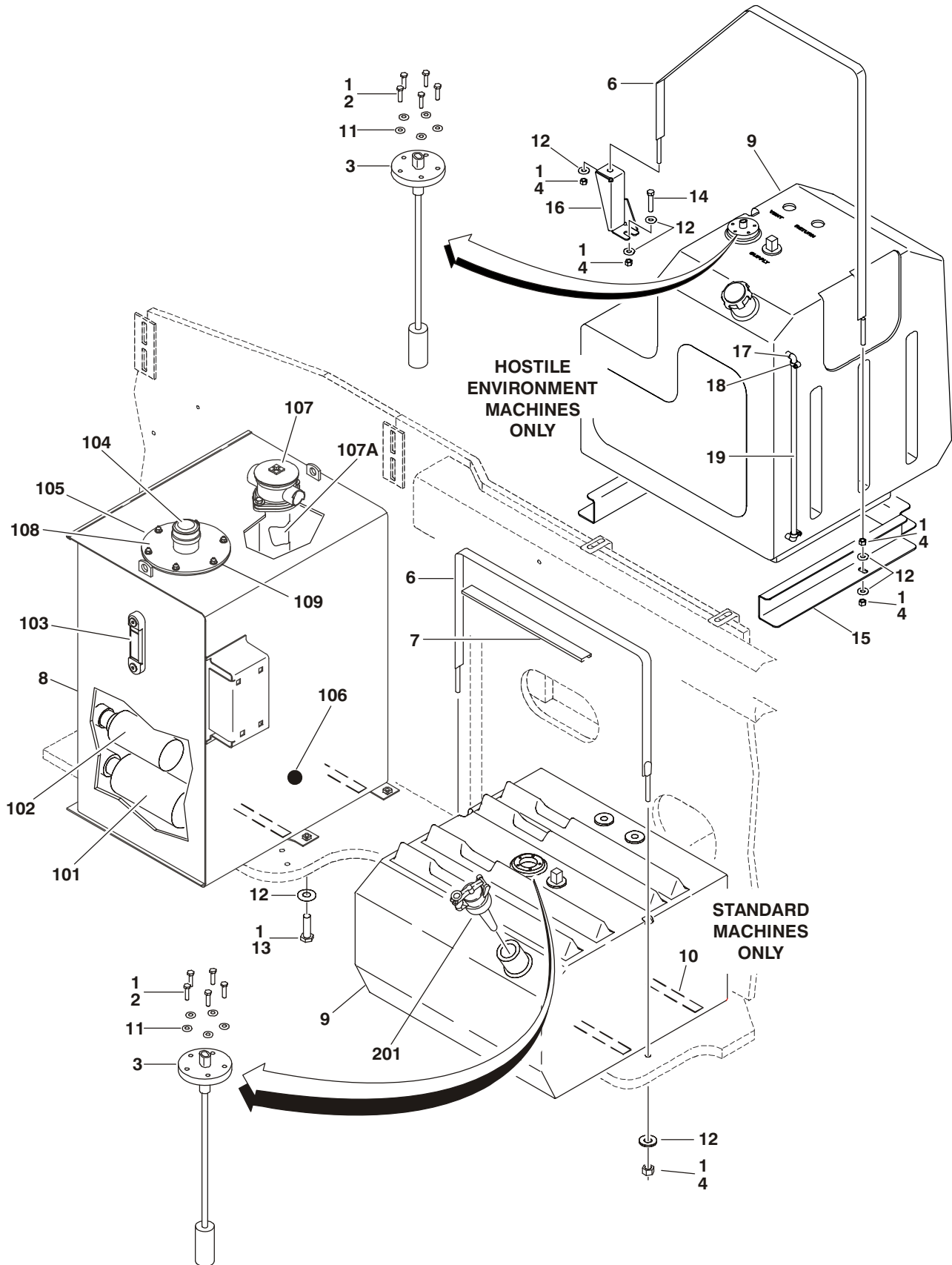
# SECTION 2 TURNTABLE

FIGURE 2-9. LOAD SENSING PUMP ASSEMBLY (CONTINUED)

ITEM #	PART NUMBER	QTY.	DESCRIPTION	REV.

# SECTION 2 TURNTABLE

## FIGURE 2-10. TANK INSTALLATIONS



# SECTION 2 TURNTABLE

**FIGURE 2-10. TANK INSTALLATIONS**

ITEM #	PART NUMBER	QTY.	DESCRIPTION	REV.
		Ref.	<b>TANKS INSTALLATION</b>	
	0270881	Ref.	<b>Diesel Machines</b>	E
	1001125354	Ref.	<b>Diesel Machines (Hostile Environment Machines)</b>	B
	1001091568	Ref.	<b>GM Machines</b>	A
1	0100011	A/R	Compound, Locking	
2	0731007	5	Capscrew #10-32NF x 7/8in	
3		1	Gauge, Fuel Level Options:	
	2420191		Standard Machines	
	1001109048		Hostile Environment Machines	
4	3311601	A/R	Nut 3/8in-16NC	
5	Not Used			
6		1	Strap, Tank Mounting Options:	
	4240139		Standard Machines	
	1001110059		Hostile Environment Machines	
7		A/R	Strip, Protector Options:	
	4280295	30in/76cm	Standard Machines	
	Not Required	0	Hostile Environment Machines	
8	4400453	1	Hydraulic Oil Tank Assembly (See Items 101-109 for Breakdown)	
9		1	Fuel Tank Assembly Options:	
	4400439		Diesel Machines	
	1001108579		Diesel Machines (Hostile Environment Machines Only)	
	1001091563		GM Machines	
10	4420038	A/R	Tape, Rubber	
11	4751000	5	Flatwasher #10	
12	4751600	A/R	Flatwasher 3/8in	
13	0641614	4	Bolt 3/8in-16NC x 1-3/4in	
		Ref.	<b>Note: Items 14-19 Used on Hostile Environment Machines Only.</b>	
14	0641615	1	Bolt 3/8in-16NC x 1-7/8in	
15	1001125344	1	Support, Tank	
16	1001125345	1	Bracket, Tank	
17	2180467	2	Fitting, Barb	
18	8405009	2	Clamp, Gear	
19	1001113103	1	Tube, Fuel Sight	
	4400453	Ref.	<b>HYDRAULIC TANK ASSEMBLY</b>	E
101	7024481	1	Strainer 1-1/2inNPT	
102	7024442	1	Strainer 1-1/4inNPT	
103	7024441	1	Gauge, Sight	
104	7024444	1	Breather/Fill Cap	
105	7024443	1	Neck, Fill	
	7024445	1	Screen	
106	7024446	1	Plug, Magnetic	
107	7024374	1	Filter Assembly	
107A	7024375	1	Element, Filter	
108	7024439	1	Cover	

## SECTION 2 TURNTABLE

**FIGURE 2-10. TANK INSTALLATIONS (CONTINUED)**

ITEM #	PART NUMBER	QTY.	DESCRIPTION	REV.
109	7024440	1	Gasket	
		Ref.	<b>FUEL TANK CAP INSTALLATION</b>	
201	7016314 70001103 1120487	1	Cap Options: Standard Non-Locking (Part of Item 3) (Used with p/n 4400439) Standard Non-Locking (Used with p/n 1001091563) Optional Lockable (Diesel Machines)	

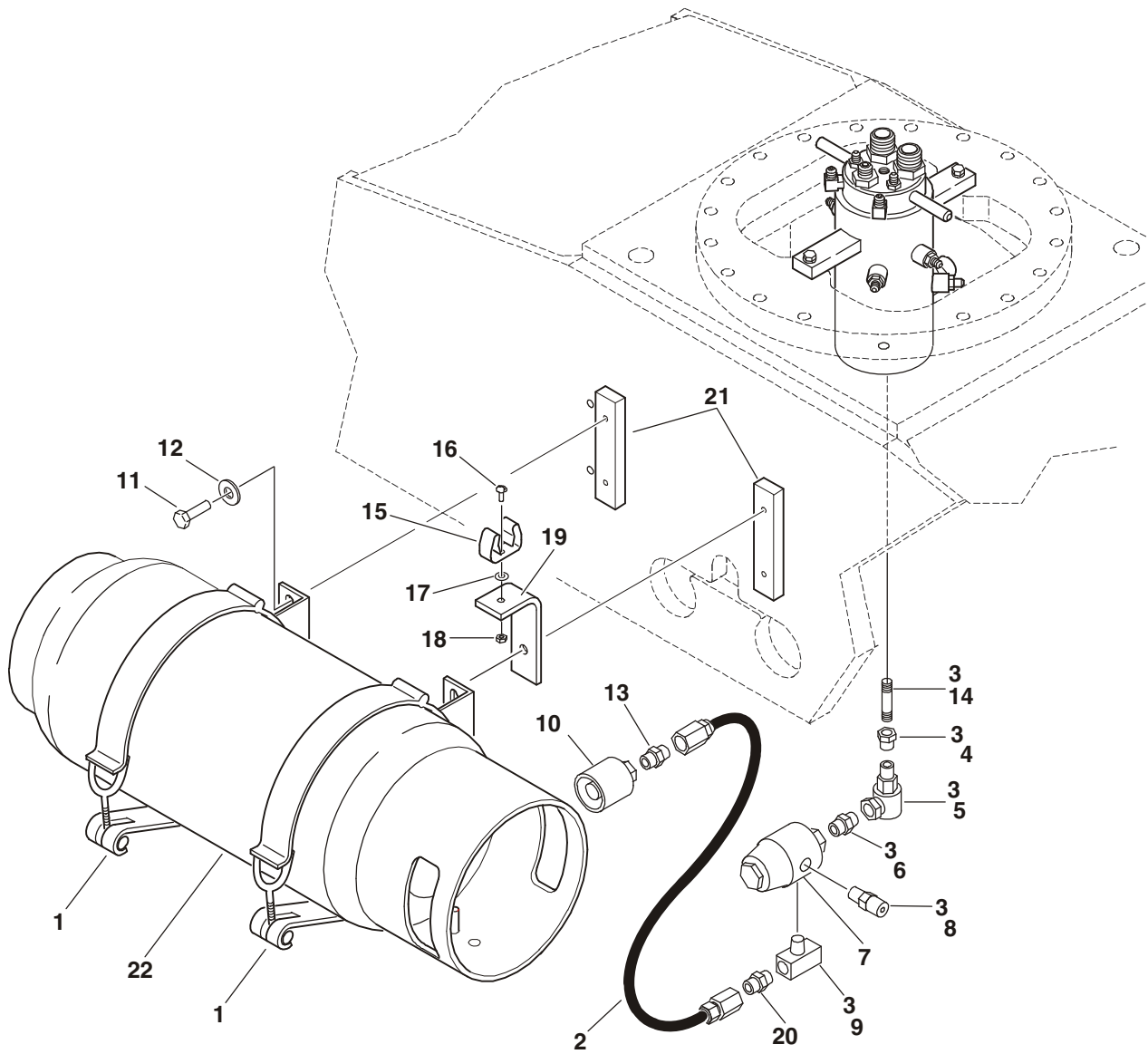
# SECTION 2 TURNTABLE

FIGURE 2-10. TANK INSTALLATIONS (CONTINUED)

ITEM #	PART NUMBER	QTY.	DESCRIPTION	REV.

## SECTION 2 TURNTABLE

FIGURE 2-11. LP TANK INSTALLATIONS (GM ENGINE MACHINES ONLY)



## SECTION 2 TURNTABLE

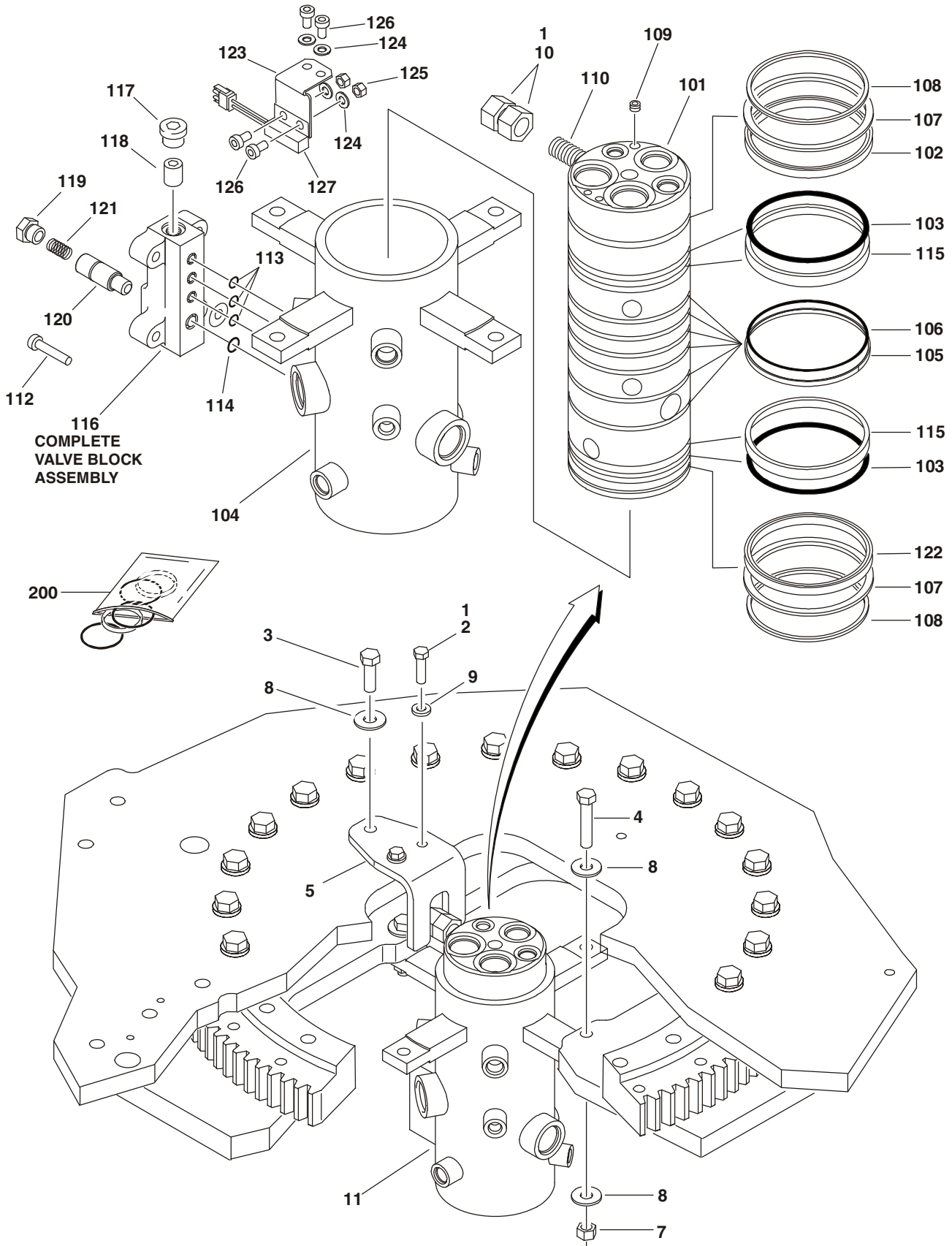
**FIGURE 2-11. LP TANK INSTALLATIONS (GM ENGINE MACHINES ONLY)**

ITEM #	PART NUMBER	QTY.	DESCRIPTION	REV.
	0255524	Ref.	<b>LP TANK AND BRACKETS INSTALLATION</b>	9/F
1	1320220	2	Clamp Kit - LP	
	1320127	2	Clamp, Toggle (1 Per Clamp)	
2	2720144	2	Hose	
3	0100020	A/R	Sealant, Pipe	
4	2221197	1	Fitting, Reducer	
5	2180125	1	Fitting - 90°	
6	2220261	1	Fitting, Nipple	
7	2180388	1	Filter, Bulkhead	
8	2180389	1	Valve, Relief	
9	2220418	1	Fitting, Tee	
10	2180387	2	Fitting, LP Tank	
11	0641606	8	Bolt 3/8in-16NC x 3/4in	
12	4751600	8	Flatwasher 3/8in	
13	2180418	2	Fitting, Straight	
14	2220261	1	Fitting, Nipple	
15	1320218	2	Clamp, Spring	
16	3910808	2	Screw, Machine #8-32NC x 1/2in	
17	4750800	4	Flatwasher #8	
18	3310805	2	Locknut #8-32NC	
19	0181949	2	Support, Angle	
20	2221024	2	Fitting, Ball Check	
21	0362519	4	Bar, Clamp	
22		1	LP Tank Options:	
	4400275		Aluminum	
	4400420		Steel	



# SECTION 2 TURNTABLE

## FIGURE 2-12. ROTARY COUPLING INSTALLATION



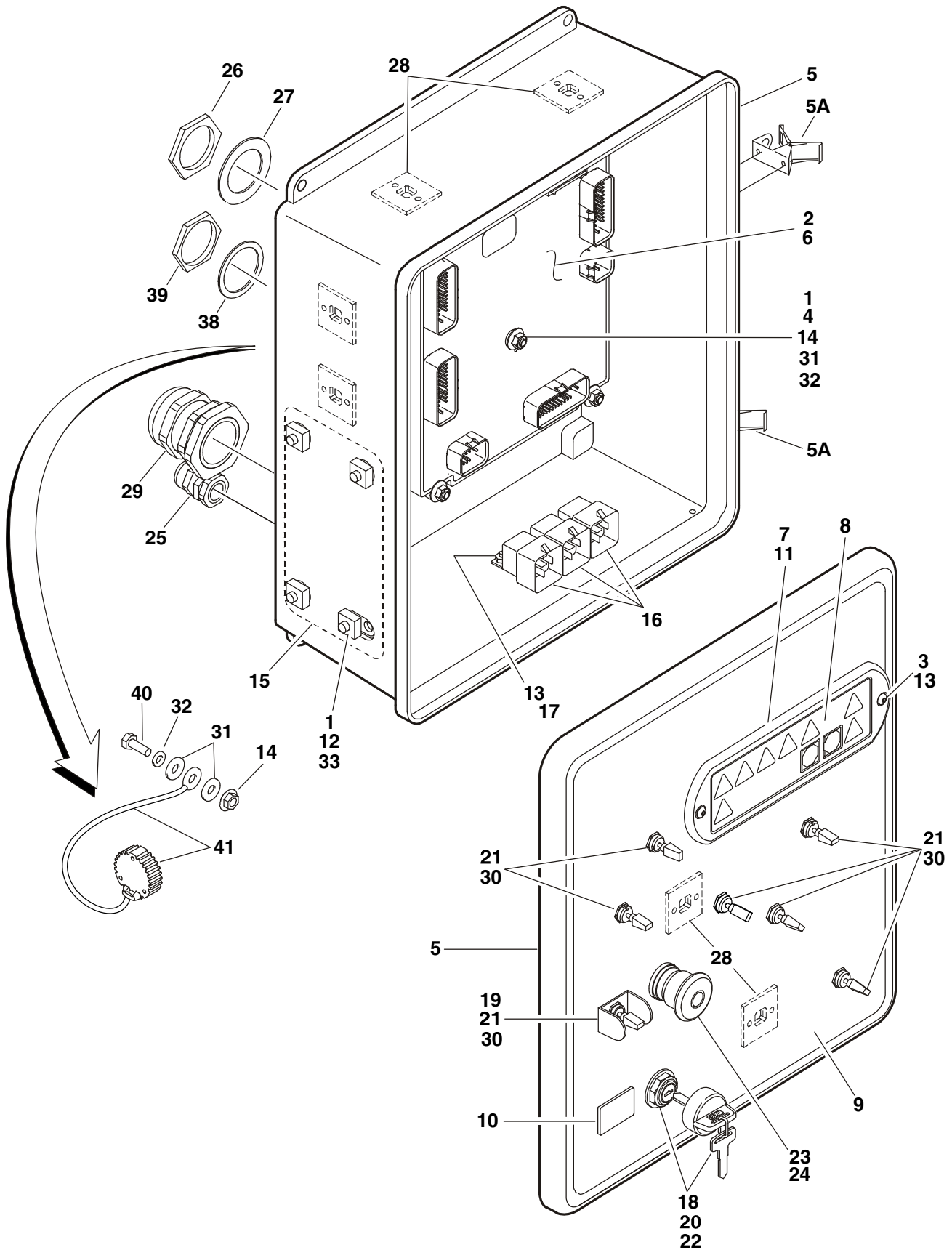
# SECTION 2 TURNTABLE

**FIGURE 2-12. ROTARY COUPLING INSTALLATION**

ITEM #	PART NUMBER	QTY.	DESCRIPTION	REV.
	1001107531	Ref.	<b>ROTARY COUPLING INSTALLATION</b>	A
1	0100011	A/R	Compound, Locking	
2	0641611	2	Bolt 3/8in-16NC x 1-3/8in	
3	0641812	1	Bolt 1/2in-13NC x 1-1/2in	
4	0641820	2	Bolt 1/2in-13NC x 2-1/2in	
5	0903242	1	Bracket	
6	Not Used			
7	3271805	2	Locknut 1/2in-13NC	
8	4751800	5	Flatwasher 1/2in	
9	4891600	2	Flatwasher 3/8in Hardened	
10	3322201	2	Locknut 3/4in x 16NF	
11	1001106974	1	Coupling, Rotary (See Items 101-128 for Breakdown)	
	1001106974	Ref.	<b>ROTARY COUPLING ASSEMBLY</b>	B
101	Use 1001106974	1	Body ( <b>Note: Not Available - Purchase Complete Assy.</b> )	
102	Use 70001248	1	Seal, Poly	
103	Use 70001248	2	O-Ring/Seal	
104	See Note	1	Housing ( <b>Note: Not Available - Purchase Complete Assy.</b> )	
105	Use 70001248	6	Seal, Cap	
106	Use 70001248	6	O-Ring	
107	7026503	2	Ring, Thrust	
108	7026504	2	Ring, Retaining	
109	80934561	2	Plug	
110	See Note	1	Lug, Torque ( <b>Note: Not Available for Purchase.</b> )	
111	Not Used			
112	7026197	4	Capscrew	
113	Use 70001248	3	O-Ring	
114	Use 70001248	1	O-Ring	
115	Use 70001248	2	Bearing	
116	7024404	1	Block Valve Assembly	
117	7026505	1	Plug	
118	7026506	1	Valve, Check	
119	7026507	1	Plug	
120	Use 7024404	1	Plunger, Valve ( <b>Note: Not Available for Purchase.</b> )	
121	7026509	1	Spring	
122	Use 70001248	1	Seal, Oil	
123	70003454	1	Bracket, Switch Mounting	
124	4711000	4	Flatwasher #10 Narrow	
125	See Note	2	Locknut 1/4in-24NF ( <b>Note: Not Available for Purchase.</b> )	
126	See Note	4	Capscrew 1/4in-24NF ( <b>Note: Not Available for Purchase.</b> )	
127	4360517	1	Switch, Proximity	
128	See Note	A/R	Protective Netting (Not Shown) ( <b>Note: Not Available for Purchase.</b> )	
200	70001248	Ref.	Seal Kit - (Includes Items 102,103,105,106,113, 114, 115 & 122)	

# SECTION 2 TURNTABLE

## FIGURE 2-13. GROUND CONTROL BOX ASSEMBLY



# SECTION 2 TURNTABLE

**FIGURE 2-13. GROUND CONTROL BOX ASSEMBLY**

ITEM #	PART NUMBER	QTY.	DESCRIPTION	REV.
		Ref.	<b>GROUND CONTROL BOX ASSEMBLIES</b>	
		Ref.	<b>USA Built Machines S/N 0300140000 to S/N 0300149140 &amp; China Built Machines S/N B300000100 to S/N B300000310</b>	
		Ref.	<b>800S with Caterpillar Engine</b>	
	1001110333	Ref.	<b>All Specs Except Australian &amp; CE Specs</b>	A
	1001110335	Ref.	<b>Australian &amp; CE Specs Only</b>	A
		Ref.	<b>860SJ with Caterpillar Engine</b>	
	1001110334	Ref.	<b>All Specs Except Australian &amp; CE Specs</b>	A
	1001110336	Ref.	<b>Australian &amp; CE Specs Only</b>	A
		Ref.	<b>800S with Deutz Engine</b>	
	1001110329	Ref.	<b>All Specs Except Australian &amp; CE Specs</b>	B
	1001110331	Ref.	<b>Australian &amp; CE Specs Only</b>	B
		Ref.	<b>860SJ with Deutz Engine</b>	
	1001110330	Ref.	<b>All Specs Except Australian &amp; CE Specs</b>	B
	1001110332	Ref.	<b>Australian &amp; CE Specs Only</b>	B
	1001110327	Ref.	<b>800S with GM Engine (All Specs Except Australian &amp; CE Specs)</b>	A
	1001110328	Ref.	<b>860SJ with GM Engine (All Specs Except Australian &amp; CE Specs)</b>	A
		Ref.	<b>USA Built Machines S/N 0300149140 to Present &amp; China Built Machines S/N B300000310 to Present</b>	
		Ref.	<b>800S with Caterpillar Engine</b>	
	1001110333	Ref.	<b>All Specs Except CE Specs</b>	A
	1001110335	Ref.	<b>CE Specs Only</b>	A
		Ref.	<b>860SJ with Caterpillar Engine</b>	
	1001110334	Ref.	<b>All Specs Except CE Specs</b>	A
	1001110336	Ref.	<b>CE Specs Only</b>	A
		Ref.	<b>800S with Deutz Engine</b>	
	1001110329	Ref.	<b>All Specs Except CE Specs</b>	B
	1001110331	Ref.	<b>CE Specs Only</b>	B
		Ref.	<b>860SJ with Deutz Engine</b>	
	1001110330	Ref.	<b>All Specs Except CE Specs</b>	B
	1001110332	Ref.	<b>CE Specs Only</b>	B
	1001110327	Ref.	<b>800S with GM Engine (All Specs Except Australian &amp; CE Specs)</b>	A
	1001110328	Ref.	<b>860SJ with GM Engine (All Specs Except Australian &amp; CE Specs)</b>	A
1	0100011	A/R	Compound, Locking	
2	0100048	A/R	Grease, Dielectric	
3	0630518	2	Capscrew, Button Head	
4	0630548	5	Bolt, 2-1/2in Tap	
5	1001111017	1	Box, Fiberglass	
5A	7020246	2	Latch	
6	1001103667	1	Module, Ground Control	
7	1670829	1	Bezel	
8	1706712	1	Decal - Ground Control Display	
9		1	Decal - Faceplate Options:	
	1001102601		800S	
	1001102602		860SJ	

## SECTION 2 TURNTABLE

**FIGURE 2-13. GROUND CONTROL BOX ASSEMBLY (CONTINUED)**

ITEM #	PART NUMBER	QTY.	DESCRIPTION	REV.
10	2420172	1	Gauge, Hourmeter	
11	2760105	1	Housing, Display Light	
12	3300205	4	Nut, Retainer	
13	3300408	A/R	Locknut, Plastic Insert	
14	77143013	11	Nut 1/4in-20NC	
15	3539219	1	Plate, Reinforcement	
16	3740049	A/R	Relay Options:	
		3	Caterpillar Engine Machines	
		2	Deutz & GM Engine Machines	
17	3900268	3	Screw, Flange #10 x 1/2in	
18	3910804	6	Screw #8-32NC x 1/4in	
19	4060906	1	Shield, Toggle Switch	
20	4070987	1	Shim (.015in)	
21	4360328	A/R	Switch, Toggle	
		6	800S	
		7	860SJ	
22		1	Switch, Key Options:	
	4360469		All Specs Except CE Specs	
	4360470		CE Specs Only	
			Australian Specs Only	
	4360470		USA Built Machines S/N 0300140000 to S/N 0300149140 & China Built Machines S/N B300000100 to S/N B300000310	
	4360469		USA Built Machines S/N 0300149140 to Present & China Built Machines S/N B300000310 to Present	
	2860030	1	Key Replacement	
23	4360475	1	Switch, Emergency Stop	
	7020175	1	Cap, Mushroom	
	7020176	1	Block, Contact	
24	4360476	1	Switch, Contact Block	
25	4460426	1	Connector, Strain Relief	
26	4460470	1	Nut, Terminal	
27	4460471	1	Lockwasher, Terminal	
28	4460488	6	Mounting Base, Terminal	
29	4460526	1	Connector, Strain Relief	
30	4740444	6	Washer, Special	
31	4751400	12	Flatwasher 1/4in	
32	4761400	6	Lockwasher 1/4in	
33	0641506	4	Bolt 5/16in-18NC x 3/4in	
34	4922594	1	Harness, Valve (Not Shown - See Section 7 for Breakdown)	
35		1	Harness, Engine Options (Not Shown - See Section 7 for Breakdown):	
	1001110341		Caterpillar Engine Machines	
	1001110340		Deutz Engine Machines	
	1001110338		GM Engine Machines	
36	1001110339	1	Harness, Ground Control Box (Not Shown - See Section 7 for Breakdown)	

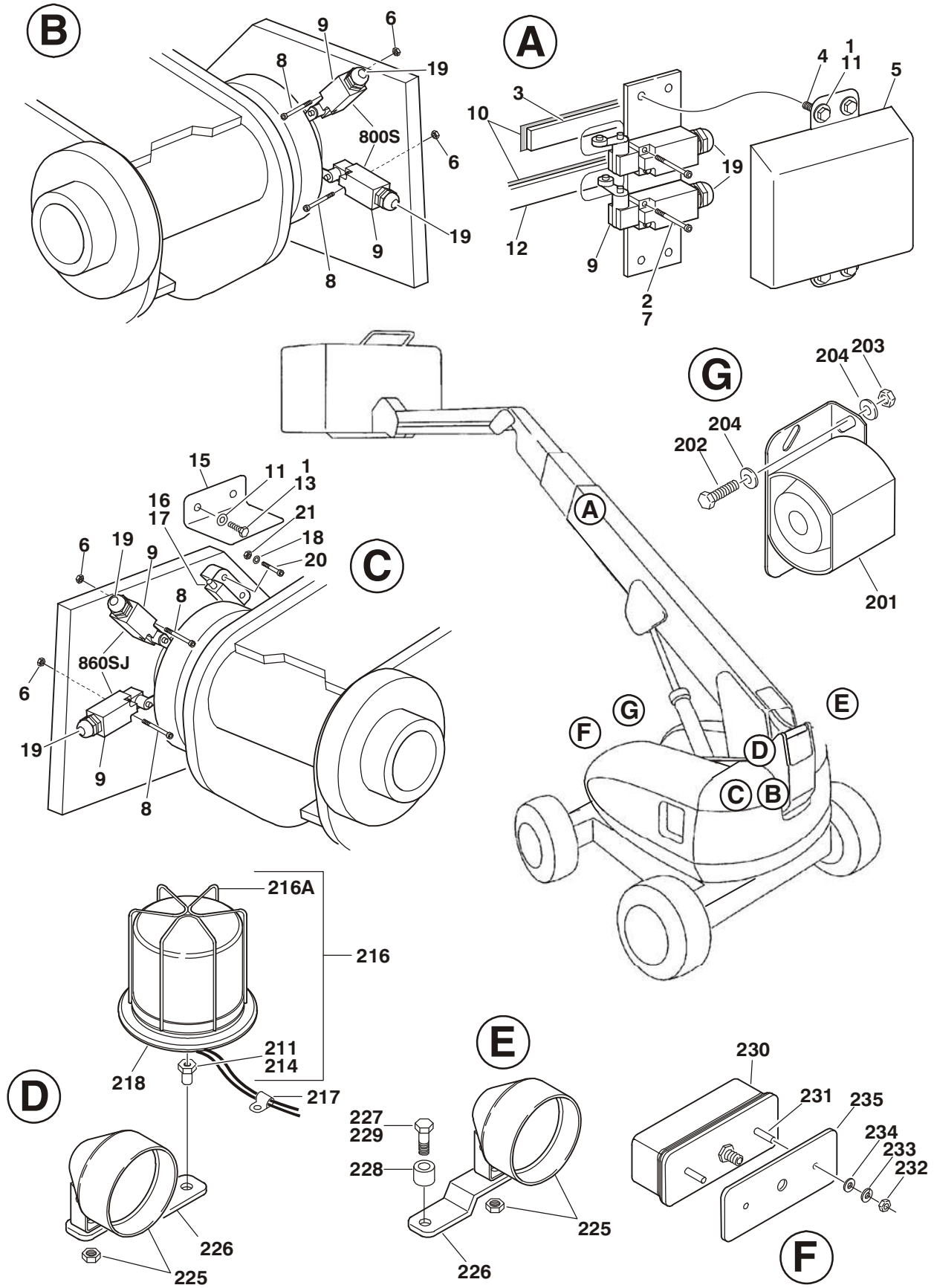
## SECTION 2 TURNTABLE

**FIGURE 2-13. GROUND CONTROL BOX ASSEMBLY (CONTINUED)**

ITEM #	PART NUMBER	QTY.	DESCRIPTION	REV.
37		1	Ground Control Box Wiring Diagram (Not Shown - See Section 7 for Breakdown)	
	1001110344		Caterpillar Engine Machines	
	1001110343		Deutz Engine Machines	
	1001110342		GM Engine Machines	
38	4460496	1	Lockwasher, Terminal	
39	4460497	1	Nut, Terminal	
40	0641407	1	Bolt 1/4in-20NC x 7/8in	
41	1001106736	1	Cap, Dust	

# SECTION 2 TURNTABLE

FIGURE 2-14. LIMIT SWITCHES, LIGHTS & ALARM INSTALLATIONS



# SECTION 2 TURNTABLE

**FIGURE 2-14. LIMIT SWITCHES, LIGHTS & ALARM INSTALLATIONS**

ITEM #	PART NUMBER	QTY.	DESCRIPTION	REV.
		Ref.	<b>ELECTRICAL OPTIONS INSTALLATIONS (TURNTABLE MOUNTED)</b>	
		Ref.	<b>LIMIT SWITCHES INSTALLATION</b>	
	0271360	Ref.	<b>800S (All Specs Except Australian &amp; CE Specs)</b>	J
	1001091187	Ref.	<b>800S (Australian &amp; CE Specs Only)</b>	D
	0271362	Ref.	<b>860SJ (All Specs Except Australian &amp; CE Specs)</b>	J
	1001091188	Ref.	<b>860SJ (Australian &amp; CE Specs Only)</b>	D
1	0100011	A/R	Compound, Locking	
2	0100035	A/R	Compound, Locking	
3	1001106480	A/R	Bar, Fiberglass (Top)	
		1	All Specs Except Australian & CE Specs	
	Not Required	0	Australian & CE Specs Only	
4	0641403	4	Bolt 1/4in-20NC x 3/8in	
5	1671022	1	Cover, Limit Switch	
6	3310805	A/R	Locknut #8-32NC	
7	3930816	A/R	Capscrew, Socket Head #8-32NC x 1in	
8	3930828	A/R	Capscrew, Socket Head #8-32NC x 1-3/4in	
9	4360578	A/R	Switch, Limit Options:	
		4	All Specs Except Australian & CE Specs	
		2	Australian & CE Specs Only	
10	4420060	A/R	Tape, Double Sided Options:	
		31.2ft/9.5m	All Specs Except Australian & CE Specs	
		12.3ft/3.8m	Australian & CE Specs Only	
11	4751400	6	Flatwasher 1/4in	
12	1001106449	1	Bar, Fiberglass (Bottom)	
13	0641406	2	Bolt 1/4in-20NC x 3/4in	
14	Not Used			
15	1671059	1	Cover, Proximity Switch	
16	4071043	1	Shim	
17	4360517	1	Switch, Proximity	
18	1001097942	4	Flatwasher #8	
19	4460968	A/R	Connector, Strain Relief Options:	
		4	All Specs Except Australian & CE Specs	
		2	Australian & CE Specs Only	
20	1001097939	2	Capscrew, Socket Head #8-32NC x 1-3/4in	
21	1001097945	2	Locknut #8-32NC	
	0271999	Ref.	<b>ALARM INSTALLATION</b>	1
201	0257887	1	Alarm/Harness Assembly	
	0140032	1	Alarm	
	2820035	6in/15cm	Loom	
	4460424	1	Plug	
	4460268	2	Socket	
202	0641410	2	Bolt 1/4in-20NC x 1-1/4in	
203	3311405	2	Locknut 1/4in-20NC	
204	4711400	4	Flatwasher 1/4in Narrow	



## SECTION 2 TURNTABLE

**FIGURE 2-14. LIMIT SWITCHES, LIGHTS & ALARM INSTALLATIONS (CONTINUED)**

ITEM #	PART NUMBER	QTY.	DESCRIPTION	REV.
205 to 213	Not Used			
	0270805	Ref.	<b>STROBE LIGHT INSTALLATION (AMBER) (OPTIONAL)</b>	C
211		1	Adapter Options:	
	0630491		Adapter used with ECCO Model 6640	
	0080241		Adapter used with ECCO Model 6650	
212 to 213	Not Used			
214	0100011	A/R	Compound, Locking	
215	4240032	1	Wire-Tie (Not Shown)	
216	Use 0272507	1	Strobe Light/Guard/Harness Assembly (Includes Items 211 & 216A)	
		1	Bulb, Replacement	
	7016380		Bulb for ECCO Model 6640	
	70001941		Bulb for ECCO Model 6650	
216A		1	Guard Options:	
	4060907		Guard used with ECCO Model 6640	
	2920215		Guard used with ECCO Model 6650	
217	4460234	1	Clamp	
218	0100048	A/R	Sealant, Silicone	
219 to 224	Not Used			
		Ref.	<b>LIGHTS INSTALLATIONS (OPTIONAL)</b>	
	0271552	Ref.	<b>Headlights and Taillights</b>	C
	0272057	Ref.	<b>Floodlights (Not Shown)</b>	B
225		2	Light Options:	
	2920110		Headlight	
	2920157		Floodlight (Not Shown)	
226	0902206	2	Bracket, Mounting	
227	0642612	1	Bolt 1in-8NC x 1-1/2in	
228	4220162	2	Spacer	
229	0100011	A/R	Compound, Locking	
230		2	Light Options:	
	2920113		Taillight	
	2920157		Floodlight (Not Shown)	
231	3911040	4	Screw, Machine #10-24NC x 2-1/2in (0271552 Installation Only)	
232	3311005	4	Nut #10-24NC (0271552 Installation Only)	
233	4751000	4	Flatwasher #10 (0271552 Installation Only)	
234	4740362	4	Washer, Fender (0271552 Installation Only)	
235	3960461	2	Gasket (0271552 Installation Only)	
236	Not Used			
237	4240032	A/R	Tie-Strap (Not Shown)	
238	4460234	A/R	Mount, Tie-Strap (Not Shown)	
239		1	Switch, Toggle Options (Not Shown - Located on Console):	
	4360336	1	Switch, Toggle	
	4360522	1	Switch, Push Button	
240	3790012	1	O-Ring (Used with Toggle Switch) (Not Shown - Located on Console)	

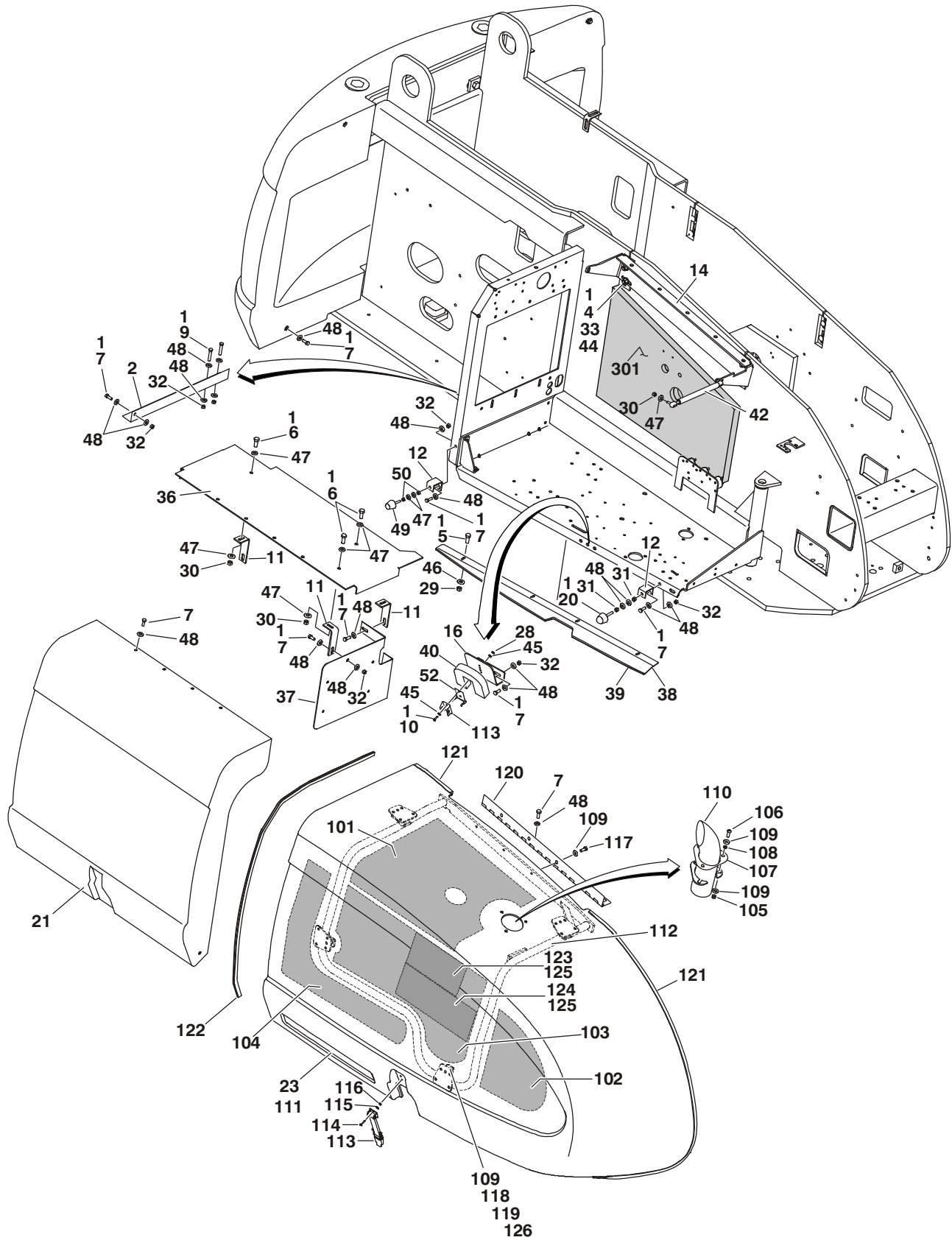
# SECTION 2 TURNTABLE

FIGURE 2-14. LIMIT SWITCHES, LIGHTS & ALARM INSTALLATIONS (CONTINUED)

ITEM #	PART NUMBER	QTY.	DESCRIPTION	REV.
241	3820001	11	Rivet, Pop (Not Shown)	
242	1705170	1	Decal - Lights (Used with Push Button Switch) (Not Shown - Located on Console)	



# SECTION 2 TURNTABLE



## SECTION 2 TURNTABLE

**FIGURE 2-15. HOODS INSTALLATION (ABS)**

ITEM #	PART NUMBER	QTY.	DESCRIPTION	REV.
		Ref.	<b>HOODS INSTALLATIONS</b>	
	0274762	Ref.	<b>CATERPILLAR ENGINES</b>	E
	1001100386	Ref.	<b>DEUTZ ENGINES</b>	A
	0275547	Ref.	<b>GM ENGINES (USA Built Machines S/N 0300140000 to S/N 0300143045 Only &amp; China Built Machines S/N B300000100 to S/N B300000135)</b>	E
1	0100011	A/R	Compound, Locking	
2	0182077	1	Angle, Hood Support	
3	0362770	1	Bar, Panel Mounting	
4	0630507	8	Bolt, Carriage 1/2in-13NC x 1-1/4in	
5	0641406	4	Bolt 1/4in-20NC x 3/4in	
6	0641508	9	Bolt 5/16in-18NC x 1in	
7	0641608	33	Bolt 3/8in-16NC x 1in	
8	0641610	3	Bolt 3/8in-16NC x 1-1/4in	
9	0641616	6	Bolt 3/8in-16NC x 2in	
10	0721006	6	Screw #10-24NC x 3/4in	
11	0901921	3	Bracket, Hood Mounting	
12	0902219	2	Bracket, Bumper	
13	0902223	2	Bracket, Latch	
14	0902351	1	Bracket, Hood Mounting	
15	0902412	1	Bracket, Hood Mounting	
16	0902491	1	Bracket, Latch	
17	0902673	1	Bracket, Support (Front Cover)	
18	0902674	1	Bracket, Support (Front Cover)	
19	0902769	1	Bracket, Bumper Support	
20	0940071	4	Bumper	
21	1671201	1	Cover	
22	1671228	1	Hood Assembly (See Items 201-213 for Breakdown)	
23		1	Hood Assembly (See Items 101-126 for Breakdown)	
	1671248		Caterpillar Engines	
	1001099138		Deutz Engines	
	1001117045		GM Engines	
24	2540035	3	Grommet	
25	Not Used			
26	2600244	1	Hinge, Adapter Panel	
27	2680490	1	Hood, Right Cover	
28	3311005	6	Locknut #10-24NC	
29	3311405	4	Locknut 1/4in-20NC	
30	3311505	12	Locknut 5/16in-18NC	
31	3311601	8	Nut 3/8in-16NC	
32	3311605	15	Locknut 3/8in-16NC	
33	3311805	8	Locknut 1/2in-13NC	
34	3380444	1	Panel, Adapter	
35	3380461	1	Cover, Top (Tank Side)	
36	3380575	1	Panel, Cover	
37	3380580	1	Panel, Storage Box (Top)	
38	3571712	1	Plate, Seal	
39	3960389	3.5ft/1.1m	Seal	
40	3960470	1	Seal, Latch	

# SECTION 2 TURNTABLE

**FIGURE 2-15. HOODS INSTALLATION (ABS) (CONTINUED)**

ITEM #	PART NUMBER	QTY.	DESCRIPTION	REV.
41	4160139	2	Spring, Gas (Tank Side)	
42	4160143	1	Spring, Gas (Engine Side)	
43	4740076	4	Washer, Fender	
44	4740171	8	Washer, Hardened	
45	4751000	12	Flatwasher #10	
46	4751400	4	Flatwasher 1/4in	
47	4751500	23	Flatwasher 5/16in	
48	4751600	67	Flatwasher 3/8in	
49	0940088	1	Bumper	
50	3321501	2	Nut 5/16in-24NF	
51	1120601	1	Plug, Cap	
52	2940188	3	Latch, Spring Clip	
		Ref.	<b>HOOD ASSEMBLIES (ENGINE SIDE)</b>	
	1671248	Ref.	<b>Caterpillar Engines</b>	D
	1001099138	Ref.	<b>Deutz Engines</b>	B
	1001117045	Ref.	<b>GM Engines (USA Built Machines S/N 0300140000 to S/N 0300143045 Only &amp; China Built Machines S/N B300000100 to S/N B300000135)</b>	A
101		1	Insulation Options: Caterpillar Engine Machines Deutz Engine Machines GM Engine	
	1001101391			
	1001101673			
	1001117139			
102	2820233	1	Insulation, Rear Sound (Caterpillar/Deutz Engine Machines Only)	
103		1	Insulation, Center Sound Options: Caterpillar/Deutz Engine Machines GM Engine Machines	
	2820234			
	Not Required			
104	2820235	1	Insulation, Rear Sound (Caterpillar/Deutz Engine Machines Only)	
105	3311605	A/R	Locknut 3/8inx16NC	
106	3900232	A/R	Screw, Button Head 3/8in-16NC x 1-1/4in	
107		1	Shield, Heat Gasket Options: Caterpillar Engine Machines Deutz Engine Machines GM Engine Machines	
	1001101392			
	1001101623			
	Not Required			
108	4740500	A/R	Washer (Special)	
109	4751600	A/R	Flatwasher 3/8in	
110		1	Exhaust Tube Weldment Options: Caterpillar Engine Machines Deutz Engine Machines GM Engine Machines	
	4846588			
	1001099121			
	1001117040			
111		1	Hood Kit Options: Caterpillar Engine Machines (Includes Items 101, 102, 103, 104, 107 & 108) Deutz Engine Machines (Must also purchase Items 101, 102, 103, 104, 107 & 108) GM Engine Machines (Includes Items 108, 123, 124 & 125)	
	1001097966			
	1001099139			
	1001097964			

## SECTION 2 TURNTABLE

**FIGURE 2-15. HOODS INSTALLATION (ABS) (CONTINUED)**

ITEM #	PART NUMBER	QTY.	DESCRIPTION	REV.
		Ref.	<b>Note: Replacement Decals Must be Ordered Separately - See Section 8.</b>	
112	1671230	1	Frame, Tubular	
113	2940088	1	Latch	
114	0721008	2	Screw, Machine #10-24NC x 1in	
115	4751000	2	Flatwasher #10	
116	3311005	2	Locknut #10-24NC	
117	0641608	6	Bolt 3/8in-16NC x 1in	
118	1321384	4	Hold Down	
119	0641606	4	Bolt 3/8in-16NC x 3/4in	
120	2600209	1	Hinge	
121	3960464	65in/1.67m	Seal	
122	3960462	61in/1.55m	Seal	
123	See Note	1	Insulation, Heat (GM Engine Only) <b>(Note: Use Item 101 - Cover complete inside of hood with insulation. Fasten with Item 125 Tape.)</b>	
124	See Note	1	Insulation, Heat (GM Engine Only) <b>(Note: Use Item 101 - Cover complete inside of hood with insulation. Fasten with Item 125 Tape.)</b>	
125	1001117140	A/R	Tape, Aluminized Polyester (GM Engine Only)	
126	0100011	A/R	Compound, Locking (GM Engine Only)	
	1671228	Ref.	<b>HOOD ASSEMBLY (TANK SIDE)</b>	A
		Ref.	<b>Note: Replacement Decals Must be Ordered Separately - See Section 8.</b>	
201	1671231	1	Hood	
202	1671232	1	Frame, Tubular	
203	2940088	2	Latch	
204	0721008	4	Screw, Machine #10-24NC x 1in	
205	4751000	4	Flatwasher #10	
206	3311005	4	Locknut #10-24NC	
207	2600233	1	Hinge	
208	1321384	4	Hold Down	
209	0641606	9	Bolt 3/8in-16NC x 3/4in	
210	4711600	9	Flatwasher 3/8in Narrow	
211	3960464	83in/2.11m	Seal	
212	3960438	55in/1.4m	Seal	
213	3960462	53in/1.35m	Seal	
	0272081	Ref.	<b>NOISE REDUCTION INSTALLATION (DEUTZ/CATERPILLAR ENGINE MACHINES) (OPTIONAL)</b>	4
301	2820078	1	Foam, Acoustical (Turntable Side)	

# SECTION 2 TURNTABLE

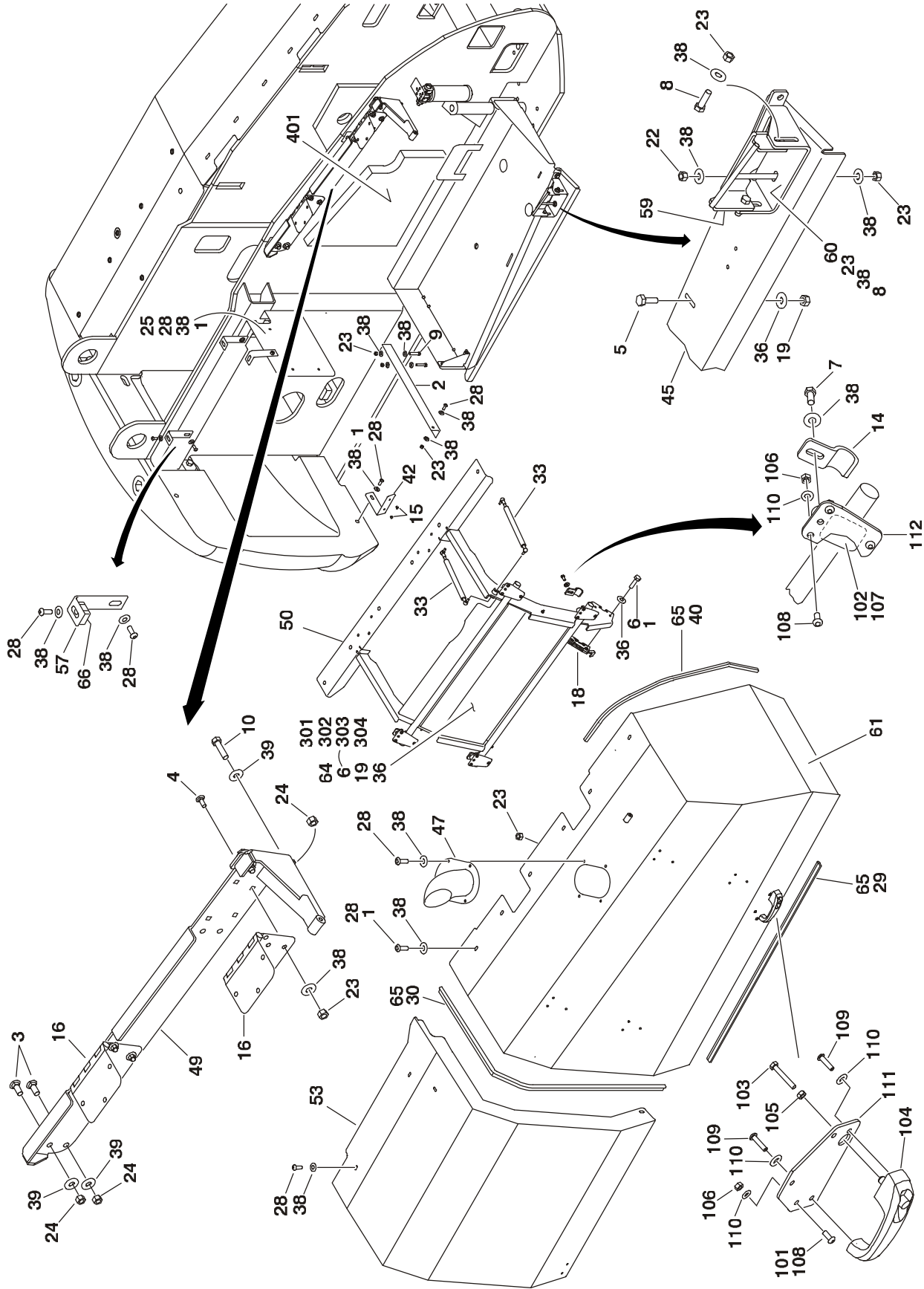
FIGURE 2-15. HOODS INSTALLATION (ABS) (CONTINUED)

ITEM #	PART NUMBER	QTY.	DESCRIPTION	REV.

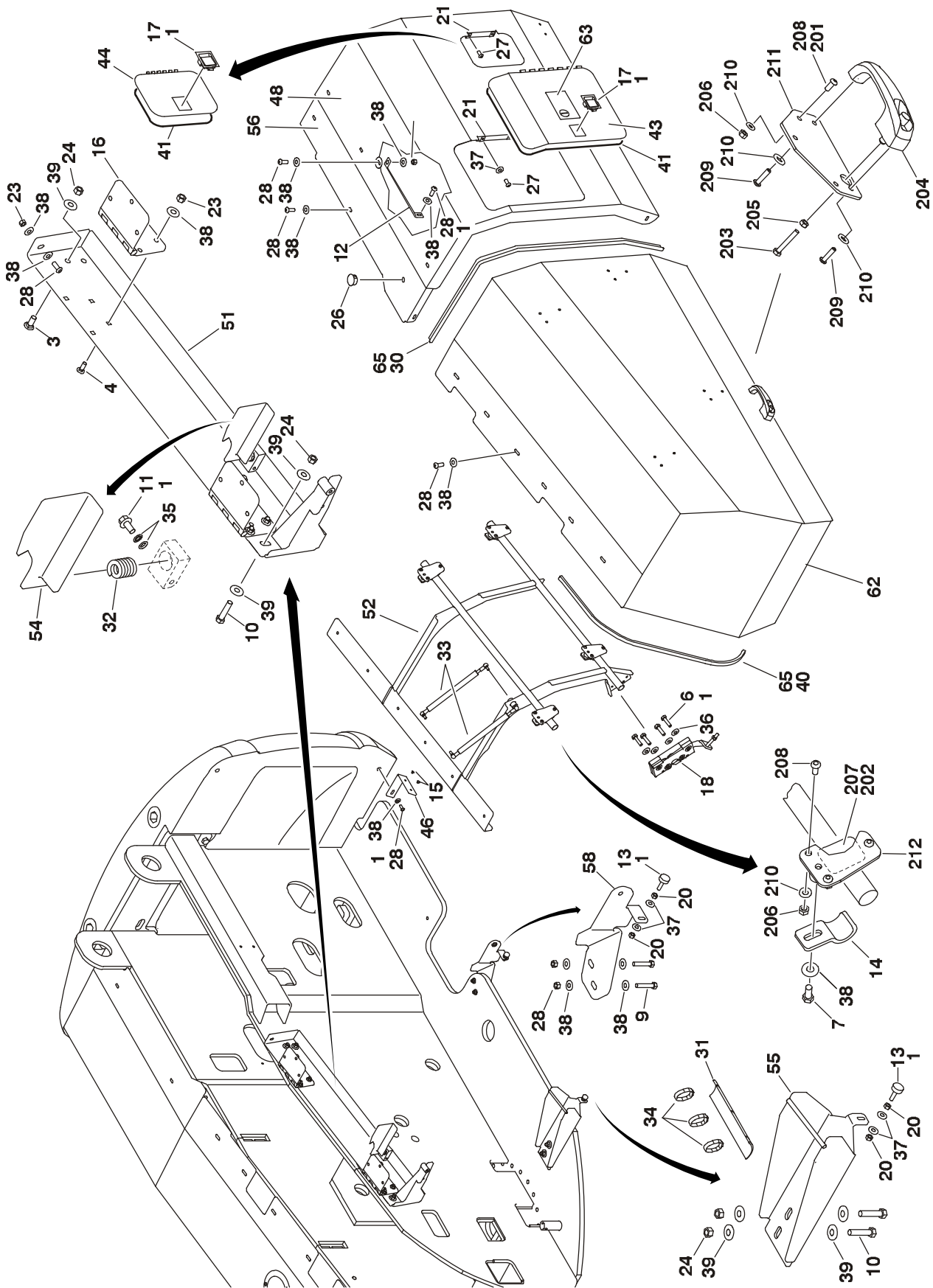


# SECTION 2 TURNTABLE

## FIGURE 2-16. HOODS INSTALLATION (STEEL)



# SECTION 2 TURNTABLE



## SECTION 2 TURNTABLE

**FIGURE 2-16. HOODS INSTALLATION (STEEL)**

ITEM #	PART NUMBER	QTY.	DESCRIPTION	REV.
		Ref.	<b>HOODS INSTALLATIONS</b>	
	1001117138	Ref.	<b>800S WITH CATERPILLAR &amp; GM ENGINES</b>	E
	1001125504	Ref.	<b>800S WITH CATERPILLAR (HOSTILE ENVIRONMENT MACHINES)</b>	B
	1001116787	Ref.	<b>800S WITH DEUTZ ENGINES</b>	F
	1001125503	Ref.	<b>800S WITH DEUTZ ENGINES (HOSTILE ENVIRONMENT MACHINES)</b>	B
	1001118435	Ref.	<b>860SJ WITH CATERPILLAR &amp; GM ENGINES</b>	F
	1001118434	Ref.	<b>860SJ WITH DEUTZ ENGINES</b>	F
1	0100011	A/R	Compound, Locking	
2	0182077	1	Angle, Hood Support	
3	0630507	8	Bolt, Carriage 1/2in-13NC x 1-1/4in	
4	0630485	16	Bolt, Carriage 3/8in-16NC x 1in	
5	0641406	4	Bolt 1/4in-20NC x 3/4in	
6	0641408	A/R	Bolt 1/4in-20NC x 1in	
7	0641607	8	Bolt 3/8in-16NC x 7/8in	
8	0641609	4	Bolt 3/8in-16NC x 1-1/8in	
9	0641616	4	Bolt 3/8in-16NC x 2in	
10	0641818	4	Bolt 1/2in-13NC x 2-1/4in	
11	0811606	1	Screw 3/8in-16NC x 3/4in (800S Only)	
12	0902673	1	Bracket, Support (Front Cover)	
13	0940049	2	Stopper, Hood	
14	1321384	8	Clamp	
15	2080040	4	Fastener, Huck	
16	2600280	4	Hinge, Offset	
17	2940045	2	Latch, Paddle	
18	2940173	2	Latch, Rotary	
19	3311405	A/R	Locknut 1/4in-20NC	
20	3311501	4	Nut 5/16in-18NC	
21	3300364	5	Nut 5/16in-18NC (Tinnerman)	
22	3311601	1	Nut 3/8in-16NC	
23	3311605	46	Locknut 3/8in-16NC	
24	3311805	12	Locknut 1/2in-13NC	
25	3380580	1	Panel, Storage Box (Top)	
26	3520030	1	Plug, Hole	
27	3900210	5	Screw 5/16in-18NC x 3/4in	
28	3900316	48	Screw 3/8in-16NC x 1in	
29	3960389	4.5ft/1.4m	Seal	
30	3960462	9ft/2.7m	Seal	
31	4061032	1	Shield	
32	4160149	1	Spring, Compression (800S Only)	
33	4160194	4	Spring, Gas	
34	4240018	3	Strap, Cable Tie	
35	4740500	2	Washer, Nylon Shoulder (800S Only)	
36	4751400	A/R	Flatwasher 1/4in	
37	4751500	7	Flatwasher 5/16in	
38	4751600	93	Flatwasher 3/8in	
39	4751800	16	Flatwasher 1/2in	
40	1001110166	7ft/2.1m	Seal	

## SECTION 2 TURNTABLE

**FIGURE 2-16. HOODS INSTALLATION (STEEL) (CONTINUED)**

ITEM #	PART NUMBER	QTY.	DESCRIPTION	REV.
41	1001113047	7ft/2.1m	Seal (Adhesive Back)	
42	1001116280	1	Bracket, Hood Support	
43	1001116322	1	Door	
44		1	Door, Fuel Options:	
	1001116344		Standard Machines	
	1001125501		Hostile Environment Machines	
45	1001116356	1	Plate	
46	1001116358	1	Bracket, Hood Support	
47		1	Pipe, Exhaust Options:	
	1001116457		Caterpillar & GM Engines	
	1001116456		Deutz Engines	
48		1	Hood, Fixed Tank Side Options:	
	1001116558		Standard Machines	
	1001125502		Hostile Environment Machines	
		Ref.	<b>Note: Replacement Decals must be Purchased Separately - See Section 8.</b>	
49	1001116560	1	Bracket, Hinge Support	
50	1001116562	1	Support, Substructure	
51	1001116617	1	Bracket, Hinge Support	
52	1001116618	1	Support, Substructure	
53	1001116620	1	Hood, Fixed Engine Side	
		Ref.	<b>Note: Replacement Decals must be Purchased Separately - See Section 8.</b>	
54	1001116668	1	Plate, Hood Stop (800S Only)	
55	1001116704	1	Bracket, Striker	
56	1001117027	1	Bracket, Hood Support	
57	1001117051	3	Bracket, Hood Mounting	
58	1001117054	1	Bracket, Hood Support	
59	1001117523	1	Bracket, Striker	
60	1001117525	1	Bracket, Striker Mounting	
61	1001118344	1	Hood, Engine Side Assembly (See Breakdown 101 - 112)	
		Ref.	<b>Note: Replacement Decals must be Purchased Separately - See Section 8.</b>	
62	1001118345	1	Hood, Tank Side Assembly (See Breakdown 201 - 212)	
		Ref.	<b>Note: Replacement Decals must be Purchased Separately - See Section 8.</b>	
63	1001117307	1	Decal - Emergency Stop	
64	1001120508	1	Shield, Heat (Deutz Engine Only)	
65	0100081	A/R	Adhesive (USA Built Machines S/N 0300144798 to Present & China Built Machines S/N B300000215 to Present)	
66	1001126828	5	Nut 3/8in-16NC (Tinnerman) (USA Built Machines S/N 0300144798 to Present & China Built Machines S/N B300000215 to Present)	
	1001118344	Ref.	<b>HOOD ASSEMBLIES (ENGINE SIDE)</b>	G
101	0100011	A/R	Compound, Locking	
102	0100081	A/R	Adhesive	
103	0700616	1	Bolt M6 x 40mm	
104	2560187	1	Handle, Push Button	

## SECTION 2 TURNTABLE

**FIGURE 2-16. HOODS INSTALLATION (STEEL) (CONTINUED)**

ITEM #	PART NUMBER	QTY.	DESCRIPTION	REV.
105	3290601	1	Nut M6	
106	3311505	15	Locknut 5/16in-18NC	
107	3340877	4	Pad	
108	3900210	15	Screw, Button Head 5/16in-18NC x 3/4in	
109	3900363	2	Screw, Button Head M6 x 25mm	
110	4711500	17	Flatwasher 5/16in Thin	
111	1001116290	1	Plate, Latch Mounting	
112	1001116292	4	Mount, Clamp	
	1001118345	Ref.	<b>HOOD ASSEMBLIES (TANK SIDE)</b>	G
201	0100011	A/R	Compound, Locking	
202	0100081	A/R	Adhesive	
203	0700616	1	Bolt M6 x 40mm	
204	2560187	1	Handle, Push Button	
205	3290601	1	Nut M6	
206	3311505	15	Locknut 5/16in-18NC	
207	3340877	4	Pad	
208	3900210	15	Screw, Button Head 5/16in-18NC x 3/4in	
209	3900363	2	Screw, Button Head M6 x 25mm	
210	4711500	17	Flatwasher 5/16in Thin	
211	1001116290	1	Plate, Latch Mounting	
212	1001116292	4	Mount, Clamp	
	1001114634	Ref.	<b>HEAT SHIELD INSTALLATION (GM ENGINE MACHINES)</b>	B
301	3311405	3	Locknut 1/4in-20NC	
302	4751400	3	Flatwasher 1/4in	
303	0641408	3	Bolt 1/4in-20NC x 1in	
304	1001120508	1	Shield, Heat	
	0272081	Ref.	<b>NOISE REDUCTION INSTALLATION (DEUTZ/CATERPILLAR ENGINE MACHINES) (OPTIONAL)</b>	4
401	2820078	1	Foam, Acoustical (Turntable Side)	

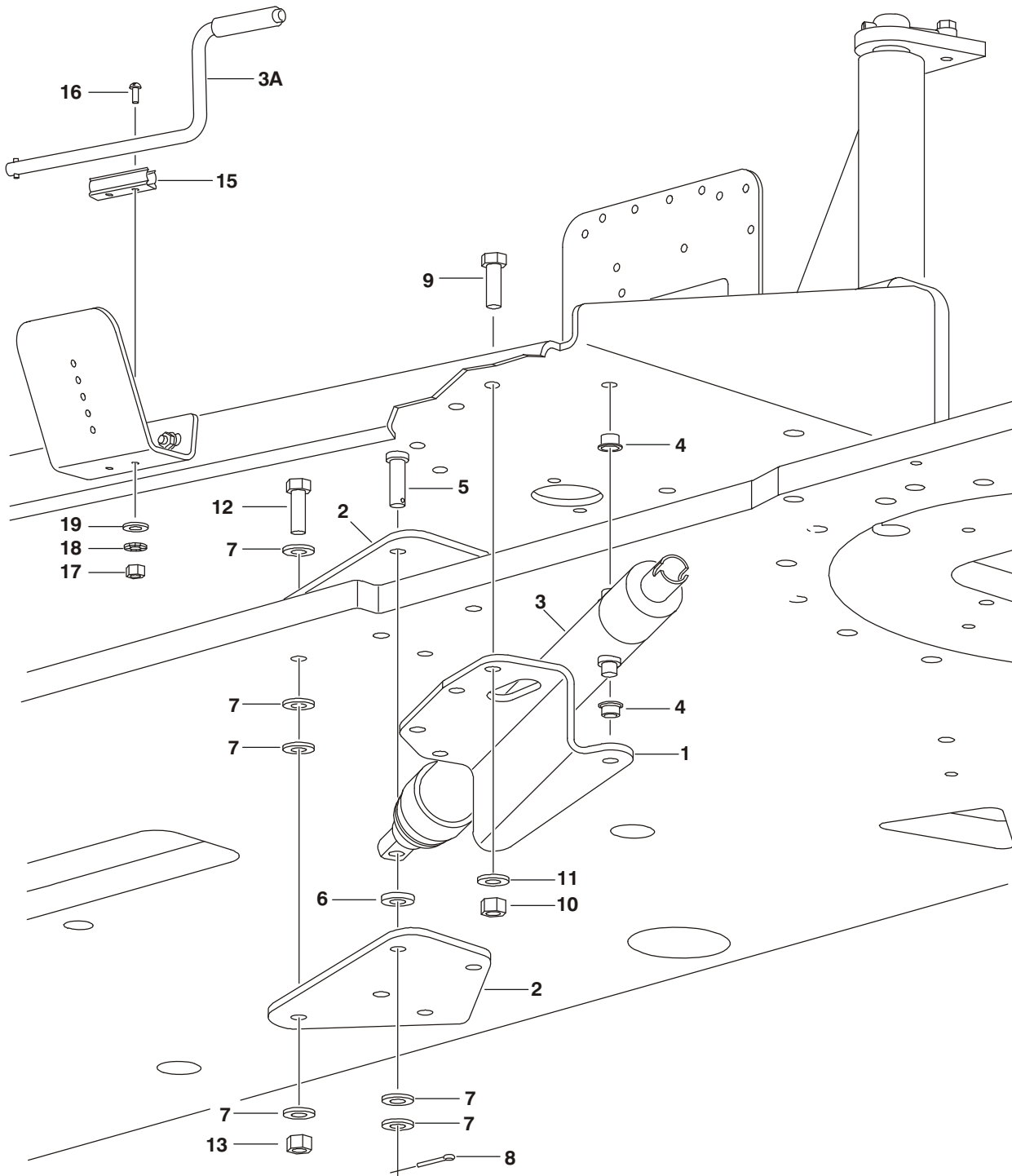
# SECTION 2 TURNTABLE

FIGURE 2-16. HOODS INSTALLATION (STEEL) (CONTINUED)

ITEM #	PART NUMBER	QTY.	DESCRIPTION	REV.

## SECTION 2 TURNTABLE

FIGURE 2-17. ENGINE TRAY JACK INSTALLATION (OPTIONAL)



## SECTION 2 TURNTABLE

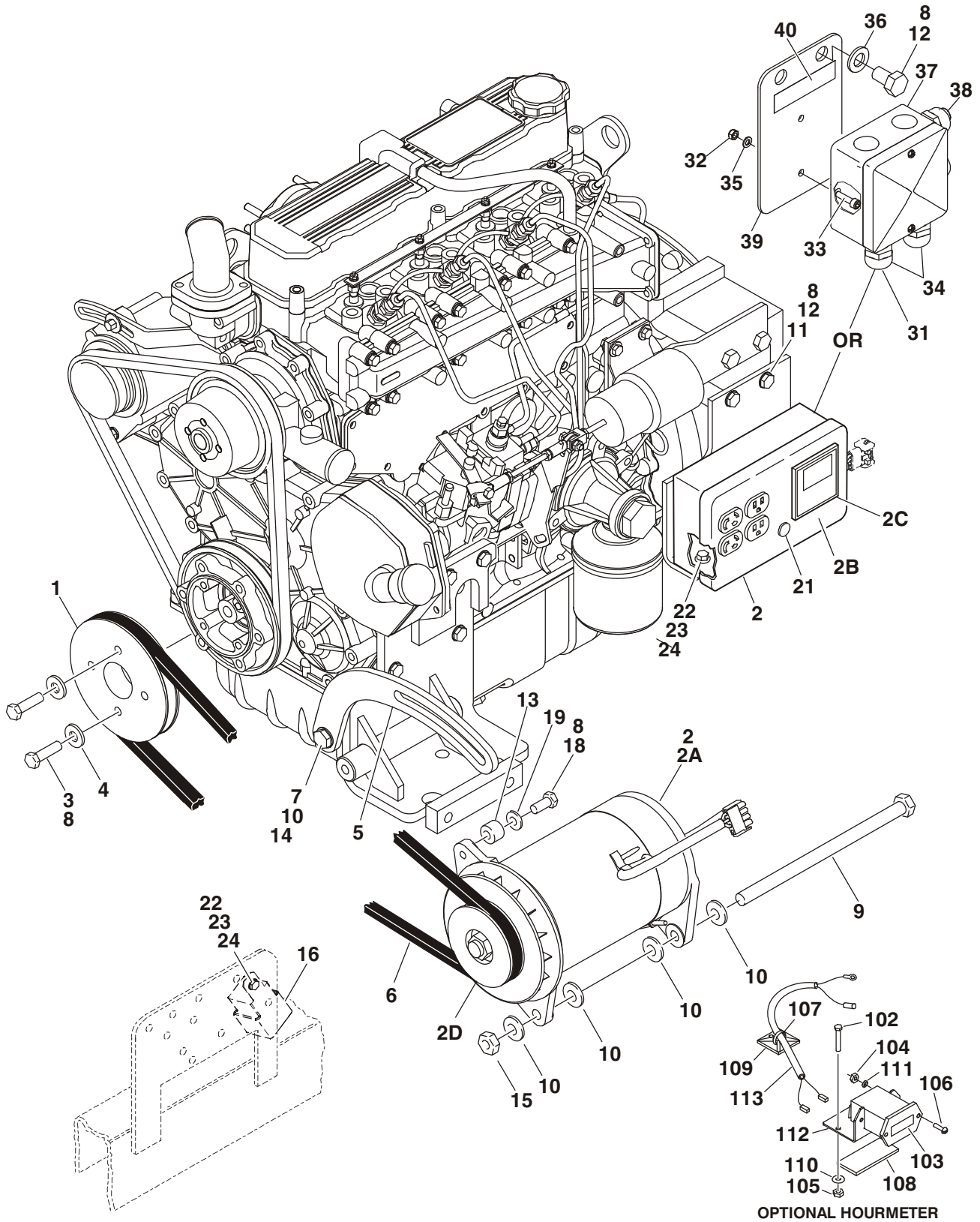
**FIGURE 2-17. ENGINE TRAY JACK INSTALLATION (OPTIONAL)**

ITEM #	PART NUMBER	QTY.	DESCRIPTION	REV.
	0258728	Ref.	<b>ENGINE TRAY JACK INSTALLATION</b>	2/C
1	3537445	1	Bracket	
2	3537446	2	Bracket	
3	2840016	1	Jack and Handle Assembly	F
3A	7024598	1	Handle	
4	0962051	2	Bearing, Flange	
5	3430816	1	Pin, Clevis	
6	4891800	1	Washer, Hardened	
7	4711800	6	Flatwasher 1/2in Narrow	
8	3450404	1	Pin, Cotter 1/8in x 1in	
9	0641609	4	Bolt 3/8in-16NC x 1-1/8in	
10	3311605	4	Locknut 3/8in-16NC	
11	4891600	4	Washer, Hardened	
12	0641818	4	Bolt 1/2in-13NC x 2-1/4in	
13	3311805	4	Locknut 1/2in-13NC	
14	Not Used			
15	1380147	1	Clip, Spring	
16	3910608	2	Screw, Round Head #6-32NC x 1in	
17	3310601	2	Nut #6-32NC	
18	4770600	2	Starwasher #6	
19	4740119	2	Washer, Aluminum	



# SECTION 2 TURNTABLE

## FIGURE 2-18. 2500W GENERATOR INSTALLATION - CATERPILLAR MACHINES (OPTIONAL)



## SECTION 2 TURNTABLE

**FIGURE 2-18. 2500W GENERATOR INSTALLATION - CATERPILLAR MACHINES (OPTIONAL)**

ITEM #	PART NUMBER	QTY.	DESCRIPTION	REV.
		Ref.	<b>GENERATOR INSTALLATION OPTIONS:</b>	
	1001115404	Ref.	<b>ANSI Specs - 110V/60Hz</b>	A
	1001115413	Ref.	<b>ANSI Export &amp; CE Specs - 110V/50Hz</b>	A
	1001115414	Ref.	<b>ANSI Export, Australian &amp; CE Specs - 220V/50Hz</b>	A
1	3580322	1	Pulley	
2		1	Generator and Control Box Assembly Options:	
	2460055		110V/60Hz	
	2460049		110V/50Hz Generator Only	
	1001100321		220V/50Hz Generator Only	
2A		1	Generator Options:	
	7012558		110V/60Hz	
	2460049		110V/50Hz	
	1001100321		220V/50Hz	
		Ref.	<b>Note: Replacement Generators come standard with p/n 3580134 pulley. This pulley may not be correct for all applications. Refer to pulley options below.</b>	
	7026199	1	110V/60Hz Armature with Slip Rings	
	70000122	1	110V/50Hz Armature with Slip Rings	
	70000123	1	220V/50Hz Armature with Slip Rings	
	7012513	4	Cap, Brush Holder	
	7020108	4	Brush	
	7020109	4	Holder, Brush	
	7012514	1	Fan	
	7020190	2	Bearing	
	7020110	1	End Bell, Front	
	7020111	1	End Bell, Rear	
2B	7019680	1	Box, Control (110V/60Hz Generator Only)	
	4360542	1	Breaker, Circuit	
	4460190	A/R	Receptacle, Double (110V Box)	
	4460027	A/R	Receptacle, Double Twist Lock (110V Box)	
2C	2420203	1	Voltmeter	
2D		1	Pulley Options:	
	3580276		110V/60Hz	
	3580134		110V/50Hz	
	3580134		220V/50Hz	
	7027887	1	Key, Woodruff	
3	0700816	4	Bolt M8 x 40mm	
4	4811900	4	Flatwasher M8	
5	0200819	1	Arm, Adjusting	
6		1	V-Belt Options:	
	0480121		110V/60Hz	
	0480120		110V/50Hz	
	0480120		220V/50Hz	
7	0641610	1	Bolt 3/8in-16NC x 1-1/4in	
8	0100011	A/R	Compound, Locking	
9	0641772	1	Bolt 7/16in-14NC x 9in	
10	4751600	6	Flatwasher 3/8in	

## SECTION 2 TURNTABLE

**FIGURE 2-18. 2500W GENERATOR INSTALLATION - CATERPILLAR MACHINES (OPTIONAL)  
(CONTINUED)**

ITEM #	PART NUMBER	QTY.	DESCRIPTION	REV.
11	3574684	1	Plate, Box Mounting	
12	0701210	2	Bolt M12 x 20mm	
13	0962563	1	Bushing, Spacer	
14	3311605	1	Locknut 3/8in-16NC	
15	3311705	1	Locknut 7/16in-14NC	
16	3740080	1	Relay	
17	Not Used			
18	0641508	1	Bolt 5/16in-18NC x 1in	
19	4751500	1	Flatwasher 5/16in	
20	Not Used			
21	3520028	1	Plug, Hole	
22	0721006	A/R	Bolt #10-24NC x 3/4in	
23	3311005	A/R	Locknut #10-24NC	
24	4751000	A/R	Flatwasher #10	
25	4360336	1	Switch, Toggle (Not Shown - Located at Platform)	
26	Not Used			
27	4060802	1	Guard, Switch (Not Shown - Located at Platform)	
28		1	Decal - Voltage Options (Not Shown - Located at Platform):	
	Not Required		110V/60Hz	
	1705325		110V/50Hz	
	3252507		220V/50Hz	
29	2820031	4in/10cm	Heatshrink (Not Shown - Located at Platform)	
30	3251102	1	Decal (Not Shown - Located at Platform)	
		Ref.	<b>Note: Items 31 thru 40 Used with 1001115413 &amp; 1001115414 Installations Only.</b>	
31	0962449	1	Bushing, Silicone	
32	3290505	1	Locknut M5	
33	4031608	2	Capscrew M5 x 20mm	
34	4460968	3	Bushing, Strain Relief	
35	4811600	2	Flatwasher M5	
36	4812100	2	Flatwasher M12	
37	1001099869	1	Box, Junction	
38		1	Light, Red Options:	
	1001100233		110V/50Hz	
	1001100234		220V/50Hz	
39	1001102644	1	Bracket, AC Junction Box	
40		1	Decal - Voltage Options:	
	1705325		110V/50Hz	
	3252507		220V/50Hz	
	1001094475	Ref.	<b>HOURLY METER INSTALLATION (OPTIONAL)</b>	B
101	Not Used			
102	0720808	1	Screw #8-32 x 1in	
103	2420165	1	Hourmeter	
104	3310601	2	Nut #6-32	
105	3310805	1	Locknut #8-32	
106	3910608	2	Screw #6-32 x 1/2in	
107	4240032	4	Strap, Tie	

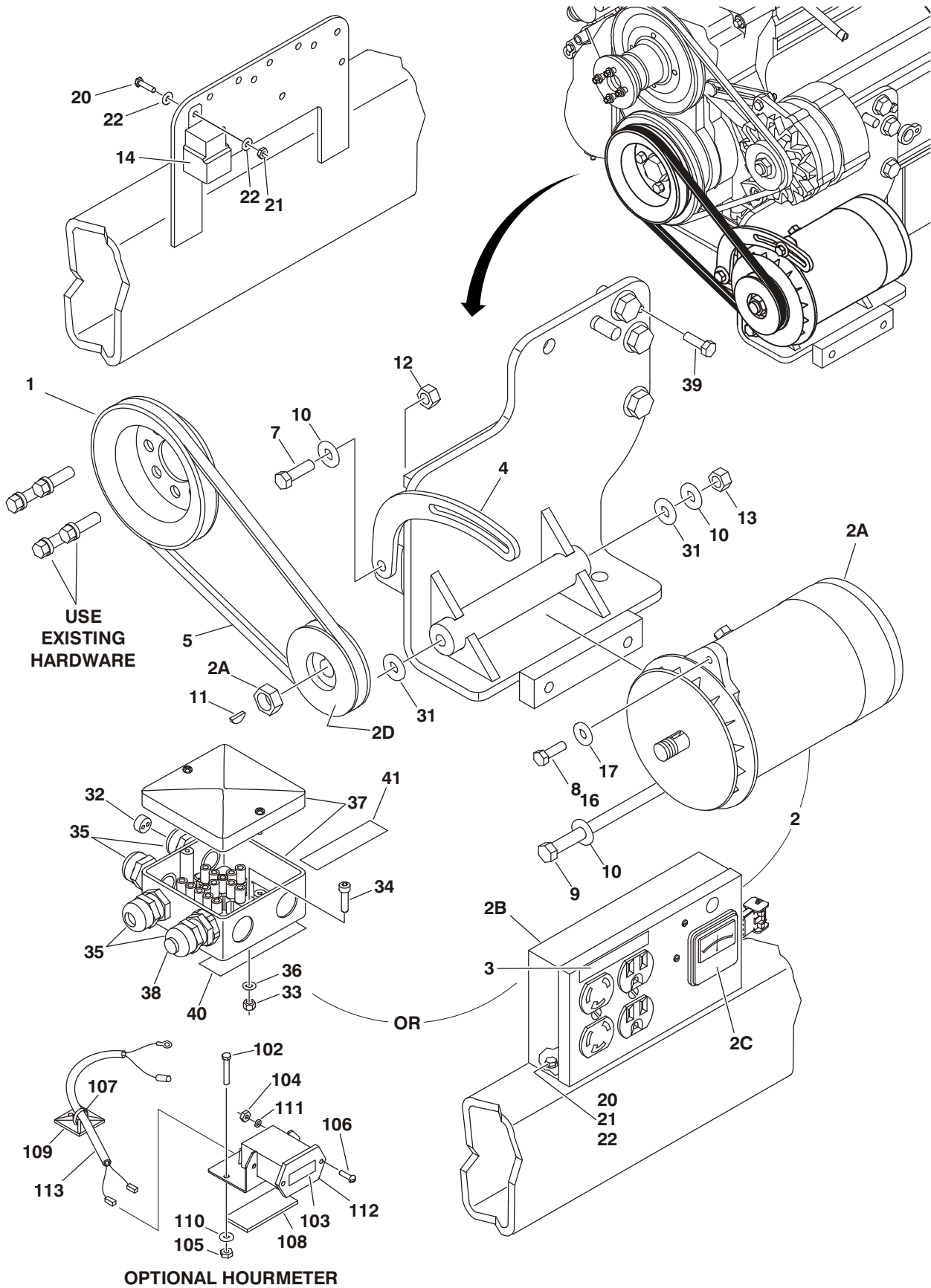
# SECTION 2 TURNTABLE

**FIGURE 2-18. 2500W GENERATOR INSTALLATION - CATERPILLAR MACHINES (OPTIONAL)  
(CONTINUED)**

ITEM #	PART NUMBER	QTY.	DESCRIPTION	REV.
108	4420060	3in/7cm	Tape, Double-Sided	
109	4460234	3	Mount, Tie Strap	
110	4750800	1	Washer #8	
111	4760600	2	Lockwasher #6	
112	1001094375	1	Bracket, Hourmeter	
113	1001094509	1	Harness, Hourmeter	
114	4460018	1	Connector, Butt Splice (Not Shown)	

# SECTION 2 TURNTABLE

FIGURE 2-19. 2500W GENERATOR INSTALLATION - DEUTZ MACHINES (OPTIONAL)



## SECTION 2 TURNTABLE

**FIGURE 2-19. 2500W GENERATOR INSTALLATION - DEUTZ MACHINES (OPTIONAL)**

ITEM #	PART NUMBER	QTY.	DESCRIPTION	REV.
		Ref.	<b>GENERATOR INSTALLATION OPTIONS:</b>	
	1001115405	Ref.	<b>ANSI Specs - 110V/60Hz</b>	A
	1001115410	Ref.	<b>ANSI Export Specs - 110V/50Hz</b>	A
	1001115409	Ref.	<b>ANSI Export Specs - 220V/50Hz</b>	A
1	3580158	1	Pulley	
2		1	Generator and Control Box Assembly Options:	
	2460055		110V/60Hz	
	2460049		110V/50Hz Generator Only	
	1001100321		220V/50Hz Generator Only	
2A		1	Generator Options:	
	7012558		110V/60Hz	
	2460049		110V/50Hz	
	1001100321		220V/50Hz	
		Ref.	<b>Note: Replacement Generators come standard with p/n 3580134 pulley. This pulley may not be correct for all applications. Refer to pulley options below.</b>	
	7026199	1	110V/60Hz Armature with Slip Rings	
	70000122	1	110V/50Hz Armature with Slip Rings	
	70000123	1	220V/50Hz Armature with Slip Rings	
	7012513	4	Cap, Brush Holder	
	7020108	4	Brush	
	7020109	4	Holder, Brush	
	7012514	1	Fan	
	7020190	2	Bearing	
	7020110	1	End Bell, Front	
	7020111	1	End Bell, Rear	
2B	7019680	1	Box, Control - 110V/60Hz Generator Only	
	4360542	1	Breaker, Circuit	
	4460190	A/R	Receptacle, Double (110V Box)	
	4460027	A/R	Receptacle, Double Twist Lock (110V Box)	
2C	2420203	1	Voltmeter	
2D		1	Pulley Options:	
	3580276		110V/60Hz	
	3580134		110V/50Hz	
	3580134		220V/50Hz	
3	3251243	1	Decal - 120V - 60Hz (110V/60Hz Generator Only)	
4	0200742	1	Arm, Adjusting	
5	0480121	1	V-Belt	
6	Not Used			
7	0641610	1	Bolt 3/8in-16NC x 1-1/4in	
8	0100011	A/R	Compound, Locking	
9	0641772	1	Bolt 7/16in-14NC x 9in	
10	4751600	6	Flatwasher 3/8in	
11	2860012	1	Key, Woodruff	
12	3311605	1	Locknut 3/8in-16NC	
13	3311705	1		
14	3740080	1	Relay	
15	Not Used			

## SECTION 2 TURNTABLE

**FIGURE 2-19. 2500W GENERATOR INSTALLATION - DEUTZ MACHINES (OPTIONAL)**

ITEM #	PART NUMBER	QTY.	DESCRIPTION	REV.
16	0641508	1	Bolt 5/16in-18NC x 1in	
17	4751500	1	Flatwasher 5/16in	
18 to 19	Not Used			
20	0721006	A/R	Bolt #10-24NC x 3/4in	
21	3311005	A/R	Locknut #10-24NC	
22	4751000	A/R	Flatwasher #10	
23 to 24	Not Used			
25	4360336	1	Switch, Toggle (Not Shown - Located at Platform)	
26	4740397	1	Bushing (Not Shown - Located at Platform)	
27	4060802	1	Guard, Switch (Not Shown - Located at Platform)	
28	3252507	1	Decal - 220V-50/60Hz (Not Shown - Located on Inside Platform Rail) (220V/50Hz Generator Only)	
	1705325	1	Decal - 120V-50Hz (Not Shown - Located on Inside Platform Rail) (110V/50Hz Generator Only)	
29	2820031	4in/10cm	Heatshrink (Not Shown - Located at Platform)	
30	3251102	1	Decal (Not Shown - Located at Platform)	
31	4070585	A/R	Shim	
		Ref.	<b>Note: Items 32 thru 41 Used with 1001115410 &amp; 1001115409 Installations Only.</b>	
32	0962449	1	Bushing, Silicone	
33	3290505	1	Locknut M5	
34	4031608	1	Capscrew M5 x 20mm	
35	4460968	4	Bushing, Strain Relief	
36	4811600	1	Flatwasher M5	
37	1001099869	1	Box, Junction	
38		1	Light, Red Options:	
	1001100233		110V/50Hz	
	1001100234		220V/50Hz	
39	0641404	1	Bolt 1/4in-20NC x 1/2in	
40	4420060	A/R	Tape, Double Sided	
41		1	Decal Options:	
	3252507	1	Decal - 220V-50/60Hz	
	1705325	1	Decal - 120V-50Hz	
	1001094475	Ref.	<b>HOURLY METER INSTALLATION (OPTIONAL)</b>	B
101	Not Used			
102	0720808	1	Screw #8-32 x 1in	
103	2420165	1	Hourmeter	
104	3310601	2	Nut #6-32	
105	3310805	1	Locknut #8-32	
106	3910608	2	Screw #6-32 x 1/2in	
107	4240032	4	Strap, Tie	
108	4420060	3in/7cm	Tape, Double-Sided	
109	4460234	3	Mount, Tie Strap	
110	4750800	1	Washer #8	
111	4760600	2	Lockwasher #6	
112	1001094375	1	Bracket, Hourmeter	
113	1001094509	1	Harness, Hourmeter	
114	4460018	1	Connector, Butt Splice (Not Shown)	

# SECTION 2 TURNTABLE

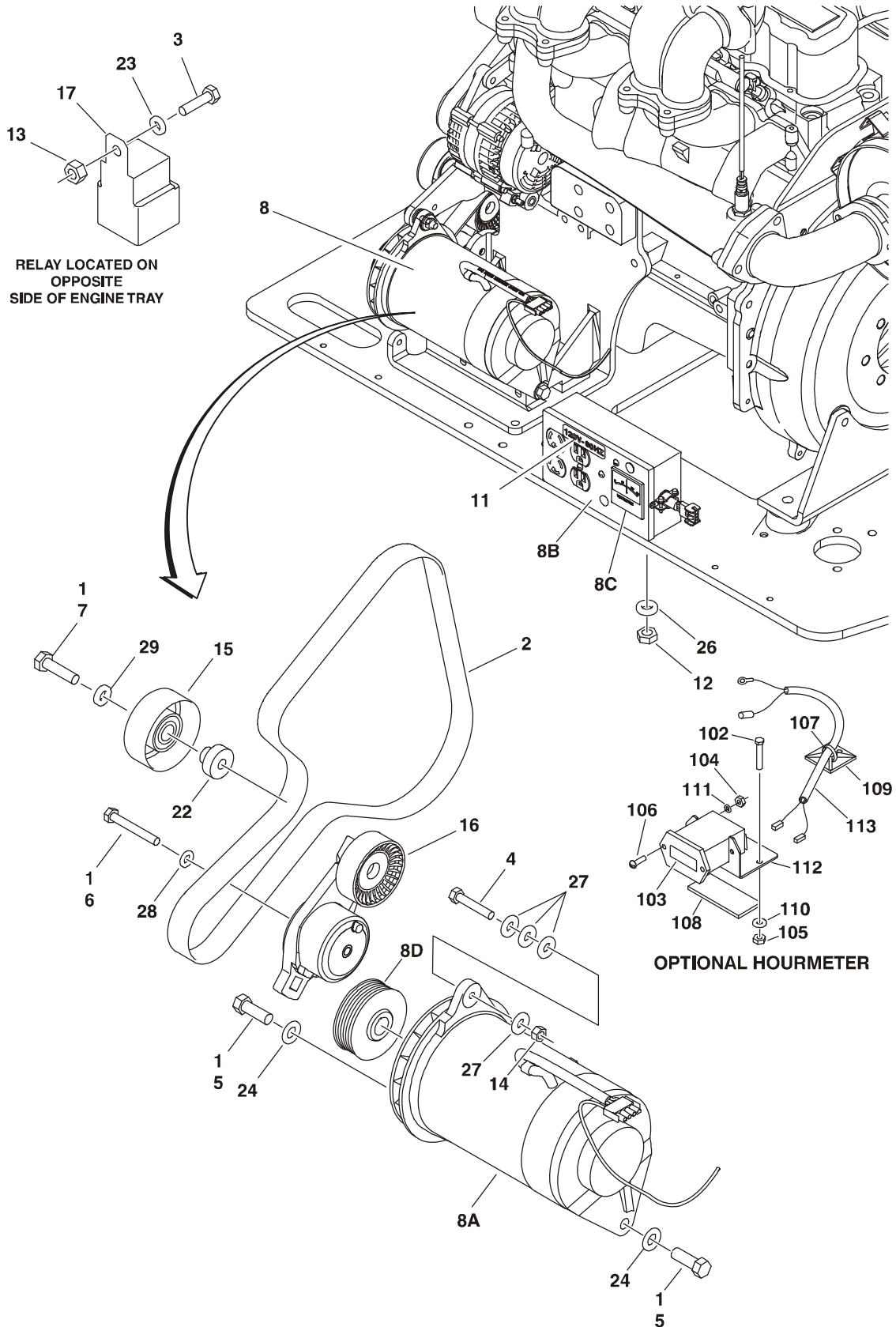
**FIGURE 2-19. 2500W GENERATOR INSTALLATION - DEUTZ MACHINES (OPTIONAL)**

ITEM #	PART NUMBER	QTY.	DESCRIPTION	REV.



# SECTION 2 TURNTABLE

FIGURE 2-20. 2500W GENERATOR INSTALLATION - GM MACHINES (OPTIONAL)



## SECTION 2 TURNTABLE

**FIGURE 2-20. 2500W GENERATOR INSTALLATION - GM MACHINES (OPTIONAL)**

ITEM #	PART NUMBER	QTY.	DESCRIPTION	REV.
		Ref.	<b>Note: Only Available on USA Built Machines.</b>	
		Ref.	<b>GENERATOR INSTALLATION OPTIONS:</b>	
	0275039	Ref.	<b>110V Generator</b>	E
	See Note	Ref.	<b>220V Generator (Note: Not Available)</b>	
1	0100011	A/R	Compound, Locking	
2	0480142	1	V-Belt	
3	0641405	1	Bolt 1/4in-20NC x 5/8in	
4	0641510	1	Bolt 5/16in-18NC x 1-1/4in	
5	0641710	2	Bolt 7/16in-14NC x 1-1/4in	
6	0700820	1	Bolt 8mm x 60mm	
7	0701016	1	Bolt 10mm x 340mm	
8	2460051	1	Generator and Control Box Assembly	
8A	7012558	1	Generator	
		Ref.	<b>Note: Replacement Generators come standard with p/n 3580134 pulley. This pulley may not be correct for all applications. Refer to pulley options below.</b>	
	7026199	1	Armature with Slip Rings	
	7020109	4	Holder, Brush	
	7020108	4	Brush	
	7012513	4	Cap, Brush Holder	
	7012514	1	Fan	
	7020190	2	Bearing	
	7020110	1	End Bell, Front	
	7020111	1	End Bell, Rear	
8B	7019680	1	Box Control	
	4360542	1	Breaker, Circuit	
	4460190	1	Receptacle, Double (110V Box)	
	4460027	1	Receptacle, Double Twist Lock (110V Box)	
8C	2420203	1	Voltmeter	
8D	3580324	1	Pulley	
	7027887	1	Key, Woodruff	
9	2820031	A/R	Heatshrink (Not Shown - Located at Platform)	
10	3251102	1	Nameplate - Generator (Not Shown - Located at Platform)	
11	3251243	1	Decal	
12	3311005	2	Locknut # 10-24NC	
13	3311405	1	Locknut 1/4in-20NC	
14	3311505	1	Locknut 5/16in-18NC	
15	3580312	1	Pulley, Idler	
16	3580348	1	Tensioner, Belt	
17	3740080	1	Relay, Bosch	
18	4060802	1	Guard, Switch (Not Shown - Located at Platform)	
19	4240018	A/R	Tie-Strap (Not Shown)	
20	4360336	1	Switch, Toggle (Not Shown - Located at Platform)	
21	4460906	3	Terminal (Not Shown)	
22	4568735	1	Spacer, Tube (Idler Pulley Grooved)	
23	4711400	1	Flatwasher 1/4in Narrow	
24	4711700	2	Flatwasher 7/16in Narrow	

## SECTION 2 TURNTABLE

**FIGURE 2-20. 2500W GENERATOR INSTALLATION - GM MACHINES (OPTIONAL)**

ITEM #	PART NUMBER	QTY.	DESCRIPTION	REV.
25	4740397	1	Spacer (Not Shown - Located at Platform)	
26	4751000	2	Flatwasher #10 Wide	
27	4751500	4	Flatwasher 5/16in Wide	
28	4811900	1	Flatwasher 8mm	
29	4891600	1	Flatwasher 3/8in Hardened	
	1001094475	Ref.	<b>HOURLY METER INSTALLATION (OPTIONAL)</b>	B
101	Not Used			
102	0720808	1	Screw #8-32 x 1in	
103	2420165	1	Hourmeter	
104	3310601	2	Nut #6-32	
105	3310805	1	Locknut #8-32	
106	3910608	2	Screw #6-32 x 1/2in	
107	4240032	4	Strap, Tie	
108	4420060	3in/7cm	Tape, Double-Sided	
109	4460234	3	Mount, Tie Strap	
110	4750800	1	Washer #8	
111	4760600	2	Lockwasher #6	
112	1001094375	1	Bracket, Hourmeter	
113	1001094509	1	Harness, Hourmeter	
114	4460018	1	Connector, Butt Splice (Not Shown)	

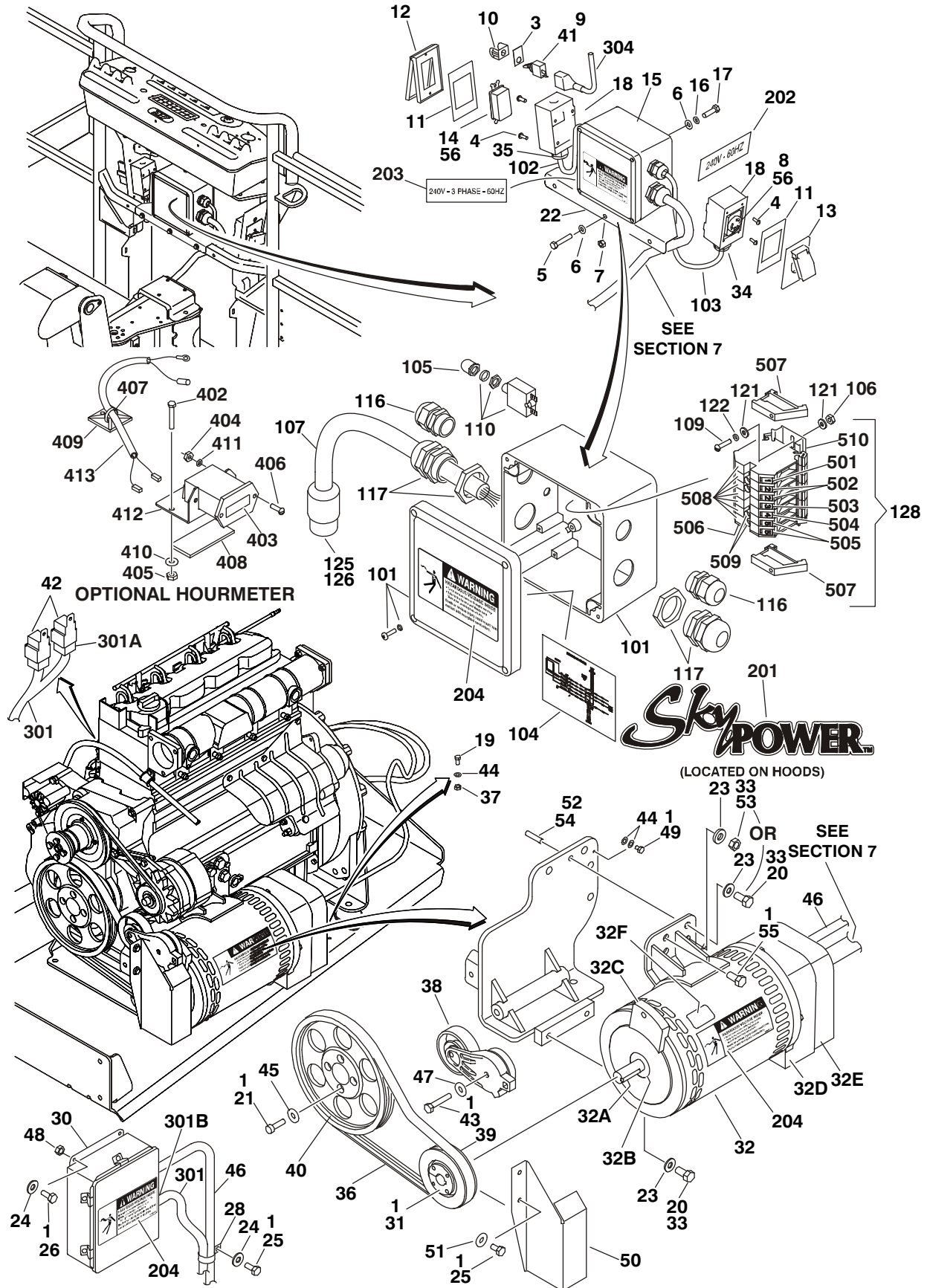
# SECTION 2 TURNTABLE

FIGURE 2-20. 2500W GENERATOR INSTALLATION - GM MACHINES (OPTIONAL)

ITEM #	PART NUMBER	QTY.	DESCRIPTION	REV.

# SECTION 2 TURNTABLE

FIGURE 2-21. 7500W SKYPOWER GENERATOR INSTALLATION - CATERPILLAR & DEUTZ ENGINES



## SECTION 2 TURNTABLE

**FIGURE 2-21. 7500W SKYPOWER GENERATOR INSTALLATION - CATERPILLAR & DEUTZ ENGINES**

ITEM #	PART NUMBER	QTY.	DESCRIPTION	REV.
		Ref.	<b>7500W SKYPOWER GENERATOR INSTALLATION</b>	
		Ref.	<b>Caterpillar Engine:</b>	
	1001115398	Ref.	<b>60Hz (ANSI Specs &amp; CSA Specs)</b>	B
	1001115400	Ref.	<b>50Hz (ALL Specs Except ANSI Specs &amp; CSA Specs)</b>	B
		Ref.	<b>Deutz Engine:</b>	
	1001115388	Ref.	<b>60Hz (ANSI Specs &amp; CSA Specs)</b>	A
	1001115394	Ref.	<b>50Hz (ALL Specs Except ANSI Specs &amp; CSA Specs)</b>	A
		Ref.	<b>Note: SkyPower Generator is Standard On ANSI &amp; CSA Specs. Optional on All Other Specs.</b>	
1	0100011	A/R	Compound, Locking	
2	Not Used			
3	3252764	1	Nameplate	
4	3910606	8	Screw #6-32NC x 3/8in	
5	0641516	3	Bolt 5/16in-18NC x 2in	
6		A/R	Flatwasher Options:	
	4711500	10	Flatwasher 5/16in Narrow (Caterpillar Engine)	
	4751500	7	Flatwasher 5/16in Wide (Deutz Engine)	
7		3	Locknut Options:	
	3311505		Locknut 5/16in-18NC (Caterpillar Engine)	
	3311508		Nut 5/16in-18NC (Deutz Engine)	
8		1	Receptacle, Female Twist-Lock Options:	
	4460958		60Hz	
	See Note		50Hz ( <b>Note: Not Available - Purchase Locally.</b> )	
9	4360336	1	Switch, Toggle	
10	4060802	1	Guard, Switch	
11		2	Gasket Options:	
	3960422		60Hz	
	See Note		50Hz ( <b>Note: Not Available - Purchase Locally</b> )	
12		1	Cover, Receptacle Options:	
	1001110873		60Hz Cover, Top Hinged	
	See Note		50Hz Cover ( <b>Note: Not Available - Purchase Locally</b> )	
13		1	Cover, Receptacle Options:	
	1001110872		60HzCover, Top Hinged	
	See Note		50Hz Cover ( <b>Note: Not Available - Purchase Locally</b> )	
14		1	Receptacle, Female Options (110-120V):	
	4460346		60Hz	
	See Note		50Hz ( <b>Note: Not Available - Purchase Locally</b> )	
15		1	Junction Box Assembly Options (See Items 101-128 for Breakdown):	
	0861542		60Hz Spec	
	0861567		50Hz Spec	
16	4761500	4	Flatwasher 5/16in (Caterpillar Engine Only)	
17		4	Bolt Options:	
	0641505		Bolt 5/16in-18NC x 5/8in (Caterpillar Engine)	
	0641508		Bolt 5/16in-18NC x 1in (Deutz Engine)	

## SECTION 2 TURNTABLE

**FIGURE 2-21. 7500W SKYPOWER GENERATOR INSTALLATION - CATERPILLAR & DEUTZ ENGINES (CONTINUED)**

ITEM #	PART NUMBER	QTY.	DESCRIPTION	REV.
18	0860038 See Note	2	Box, Switch Options: 60Hz Spec 50Hz Spec ( <b>Note: Not Available - Purchase Locally.</b> )	
19	0641406	1	Bolt 1/4in-20NC x 3/4in (Caterpillar Engine Only)	
20	0641808	A/R	Bolt 1/2in-13NC x 1in	
21	0700815 4032015	4	Bolt, Metric Options: Caterpillar Engine (Bolt M8 x 35mm) Deutz Engine (Capscrew M10 x 55mm)	
22	0902888	1	Bracket, Box Mounting	
23	4711800	A/R	Flatwasher 1/2in Narrow	
24	4711400 4751400	A/R	Flatwasher Options: Flatwasher 1/4in Narrow Flatwasher 1/4in Wide	
25	0641405 0641404	A/R	Bolt Options: Bolt 1/4in-20NC x 5/8in Bolt 1/4in-20NC x 1/2in	
26	0641404 0641405	A/R	Bolt Options: Bolt 1/4in-20NC x 1/2in Bolt 1/4in-20NC x 5/8in	
27	Not Used			
28	1320318	A/R	Clamp (Caterpillar Engine)	
29	4240018	A/R	Tie-strap (Not Shown)	
30	0861538 0861572 7024488 See Note 7024489 70000619	1 1 1 1 1 Ref.	Control Box Assembly Options: 60Hz Control Box 50Hz Control Box Card, Circuit - Generator Power <b>Fuse (Note: Not Available - Purchase Locally.)</b> Card, Circuit - Control Harness, Control Box (Internal)	
			<b>Note: Same Circuit Card (P/N 7024489) is used for both 60Hz &amp; 50Hz. When replacing card, rocker switch on card must be set for required application.</b>	
31	0962520	1	Bushing, Split Taper	
32	2460050 2460048 70001100 70001384 70000863 70001969 70002088 70002297 7024484	1 1 1 1 1 1 1 1 1	Generator Assembly Options: Caterpillar Engine Deutz Engine Rotor (Includes P/N 70001384 & 70000863) (Not Shown) Bearing, Ball Radial (Not Shown) Fan (Not Shown) Stator Options (Not Shown): 2460050 Generator 2460048 Generator Stud (Not Shown) Brushholder Assembly (Not Shown)	
32A	7024561	1	Key	

## SECTION 2 TURNTABLE

**FIGURE 2-21. 7500W SKYPOWER GENERATOR INSTALLATION - CATERPILLAR & DEUTZ ENGINES (CONTINUED)**

ITEM #	PART NUMBER	QTY.	DESCRIPTION	REV.
32B	70001966	1	Bearing, Ball Radial (Located in Belt Tensioner Endbell)	
	70003708	1	Ring, Internal Retaining (Located in Belt Tensioner Endbell)	
	70003709	1	Ring, External Retaining (Located in Belt Tensioner Endbell)	
32C	70001953	1	Endbell, Belt Tensioner	
32D	70001385	1	Endbell, Brush Block	
32E	See Note	1	Shroud Assy Endbell (Rear) Options: Caterpillar Engine (Generator S/N LC 199488 to S/N LE266271) (was p/n - As replacement)	
		Ref.	<b>Note: P/N was 70001970 which is no longer available. As replacement, order these p/ns 70001971, 70001972, 70001991, 700001992 &amp; 70001974).</b>	
	70001971		Caterpillar Engines (Generator S/N LE266271 to Present)	
	70002290		Deutz Engine	
	7027799	1	Block, Connection - 6 Position (Not Shown)	
	70002460	6	Nut, Brass (Attaches p/n 7027799 to Cover) (Not Shown)	
	7024485	1	Breaker, Circuit 30Amp (Not Shown)	
	70001696	1	Boot, Breaker (Not Shown)	
	7026597	1	Connector, W/Lead (Not Shown)	
	7026188	1	Connector, Clamp (Not Shown)	
		1	Panel, End Options (Not Shown):	
	70001972		Caterpillar Engines	
	70002255		Deutz Engine	
	70001974	1	Decal - Terminal Connections (Not Shown)	
32F	70001973	1	Decal - Warning Moving Parts	
33	0100019	A/R	Compound, Locking	
34		1	Connector, Strain Relief Options:	
	4460051		60Hz	
	See Note		50Hz ( <b>Note: Not Available - Purchase Locally.</b> )	
35		1	Connector, Strain Relief	
	4460071		60Hz	
	See Note		50Hz ( <b>Note: Not Available - Purchase Locally.</b> )	
36		1	Belt, Drive Options:	
			60Hz Generators:	
	0480129		Caterpillar Engine	
	0480129		Deutz Engine	
			50Hz Generators:	
	0480125		Caterpillar Engine	
	0480126		Deutz Engine	
37	3311405	1	Locknut 1/4in-20NC (Caterpillar Engine Only)	
38	3580317	1	Tensioner, Belt	
39		1	Pulley Options:	
	3580318		60Hz	
	3580319		50Hz	
40		1	Pulley Options:	
	3580321		Caterpillar Engine	
	3580320		Deutz Engine	



## SECTION 2 TURNTABLE

**FIGURE 2-21. 7500W SKYPOWER GENERATOR INSTALLATION - CATERPILLAR & DEUTZ ENGINES (CONTINUED)**

ITEM #	PART NUMBER	QTY.	DESCRIPTION	REV.
41	2820031	1	Insulator	
42	3740080	2	Relay	
43	0641618	1	Bolt 3/8in-16NC x 2-1/4in Options:	
44	4791400	A/R	Starwasher 1/4in	
45	4811900	4	Flatwasher 8mm (Caterpillar Engine Only)	
46	4922925	1	Harness, Generator	
47	4711600	1	Flatwasher 3/8in Narrow	
48	3311405	4	Locknut 1/4in-20NC (Deutz Engine Only)	
49	0641404	1	Bolt 1/4in-20NC x 1/2in (Deutz Engine Only):	
50		1	Shield Options:	
	1001118599		Caterpillar Engine (USA Built Machines S/N 0300143929 to Present & China Built Machines S/N B300000203 to Present) (Not Shown)	
	4061049		Deutz Engine (Shown)	
51		A/R	Washer 1/4in Options:	
	4751400		Flatwasher 1/4in Wide	
	4761400		Lockwasher 1/4in	
52	4300157	1	Stud (Deutz Engine Only)	
53	3311801	1	Nut 1/2in-13NC (Deutz Engine Only)	
54	0100062	1	Loctite (Deutz Engine Only)	
55	0771415	1	Bolt (Metric) M14 x 35mm (Deutz Engine Only)	
56	4460315	4	Terminal (Deutz Engine Only)	
57	0100020	A/R	Pipe Sealant (Deutz Engine Only) (Not Shown)	
		Ref.	<b>JUNCTION BOX ASSEMBLY</b>	
	0861542	Ref.	<b>60Hz</b>	D
	0861567	Ref.	<b>50Hz</b>	B
101	0861541	1	Box, Junction	
102		2ft/.6m	Cable, Electrical 12/3 Options:	
	1060494		60Hz Spec	
	See Note		50Hz Spec ( <b>Note: Not Available - Purchase Locally.</b> )	
103		2.5ft/.76m	Cable, Electrical 10/3	
	1060708		60Hz Spec	
	See Note		50Hz Spec ( <b>Note: Not Available - Purchase Locally.</b> )	
104	1705376	1	Decal - Wiring Schematic	
105	3300396	1	Cover, Fuse	
106	3310601	2	Nut 6-32NC	
107	1060343	1.5ft/.46m	Cable, Electrical 10/4 (60Hz Spec Only)	
108	Not Used			
109	3910610	2	Bolt 6-32NC x 5/8	
110	4360070	1	Circuit Breaker - 15 Amp	
111 to 115	Not Used			
116	4460425	2	Strain Relief, Terminal	
117	4460426	2	Connector, Strain Relief	
118 to 120	Not Used			
121	4750600	4	Flatwasher, #6 Wide	
122	4760600	2	Lockwasher #6	
123 to 124	Not Used			

## SECTION 2 TURNTABLE

**FIGURE 2-21. 7500W SKYPOWER GENERATOR INSTALLATION - CATERPILLAR & DEUTZ ENGINES (CONTINUED)**

ITEM #	PART NUMBER	QTY.	DESCRIPTION	REV.
125	1671092	1	Cover (60Hz Spec Only)	
126	4460963	1	Connector (60Hz Spec Only)	
127	Not Used			
128	1001121340	1	Terminal Block Assembly (See Items 501-510 for Breakdown)	
		Ref.	<b>DECAL INSTALLATION</b>	
	0272435	Ref.	<b>60Hz Specs</b>	A
	0272589	Ref.	<b>50Hz Spec</b>	A
201	1705460	2	Decal - SkyPower™	
202	1705374	1	Decal - 240V - 60Hz (60Hz Specs Only)	
203		1	Decal - 240V - 3 Phase Options:	
	1705375		60Hz Spec	
	1705461		50Hz Spec	
204		3	Decal, Hazardous Voltage Options:	
	1705387		60Hz Spec	
	1705489		50Hz Spec	
	1001112586	Ref.	<b>ELECTRICAL DIAGRAM COMPONENTS</b>	A
301	1001112587	1	Generator Harness	A
301A	4460374	2	Plug, Sealed Relay	
	4460375	7	Terminal	
301B	4460967	1	Plug, Male - 3 Position	
	4460465	3	Socket, Female	
301C	2400060	1	Fuseholder (Not Shown)	
	2400064	1	Fuse - 5 Amp (Not Shown)	
302 to 303	Not Used			
304	4922641	1	Switch Harness	
	1001094475	Ref.	<b>HOURLY METER INSTALLATION (OPTIONAL)</b>	B
401	Not Used			
402	0720808	1	Screw #8-32 x 1in	
403	2420165	1	Hourmeter	
404	3310601	2	Nut #6-32	
405	3310805	1	Locknut #8-32	
406	3910608	2	Screw #6-32 x 1/2in	
407	4240032	4	Strap, Tie	
408	4420060	3in/7cm	Tape, Double-Sided	
409	4460234	3	Mount, Tie Strap	
410	4750800	1	Washer #8	
411	4760600	2	Lockwasher #6	
412	1001094375	1	Bracket, Hourmeter	
413	1001094509	1	Harness, Hourmeter	
414	4460018	1	Connector, Butt Splice (Not Shown)	

## SECTION 2 TURNTABLE

**FIGURE 2-21. 7500W SKYPOWER GENERATOR INSTALLATION - CATERPILLAR & DEUTZ ENGINES (CONTINUED)**

ITEM #	PART NUMBER	QTY.	DESCRIPTION	REV.
	1001121340	Ref.	<b>TERMINAL BLOCK ASSEMBLY</b>	A
501	70002818	2	Marker Strip #1	
502	70002819	4	Marker Strip #2	
503	70002820	2	Marker Strip #3	
504	70002821	2	Marker Strip #4	
505	70002822	4	Marker Strip #5	
506	70002823	1	Terminal, End Barrier	
507	70002824	2	Terminal, End Block	
508	70002825	7	Terminal, Block	
509	70002826	2	Terminal, Cross Connector Jumper	
510	3641533	1	Rail, Relay	

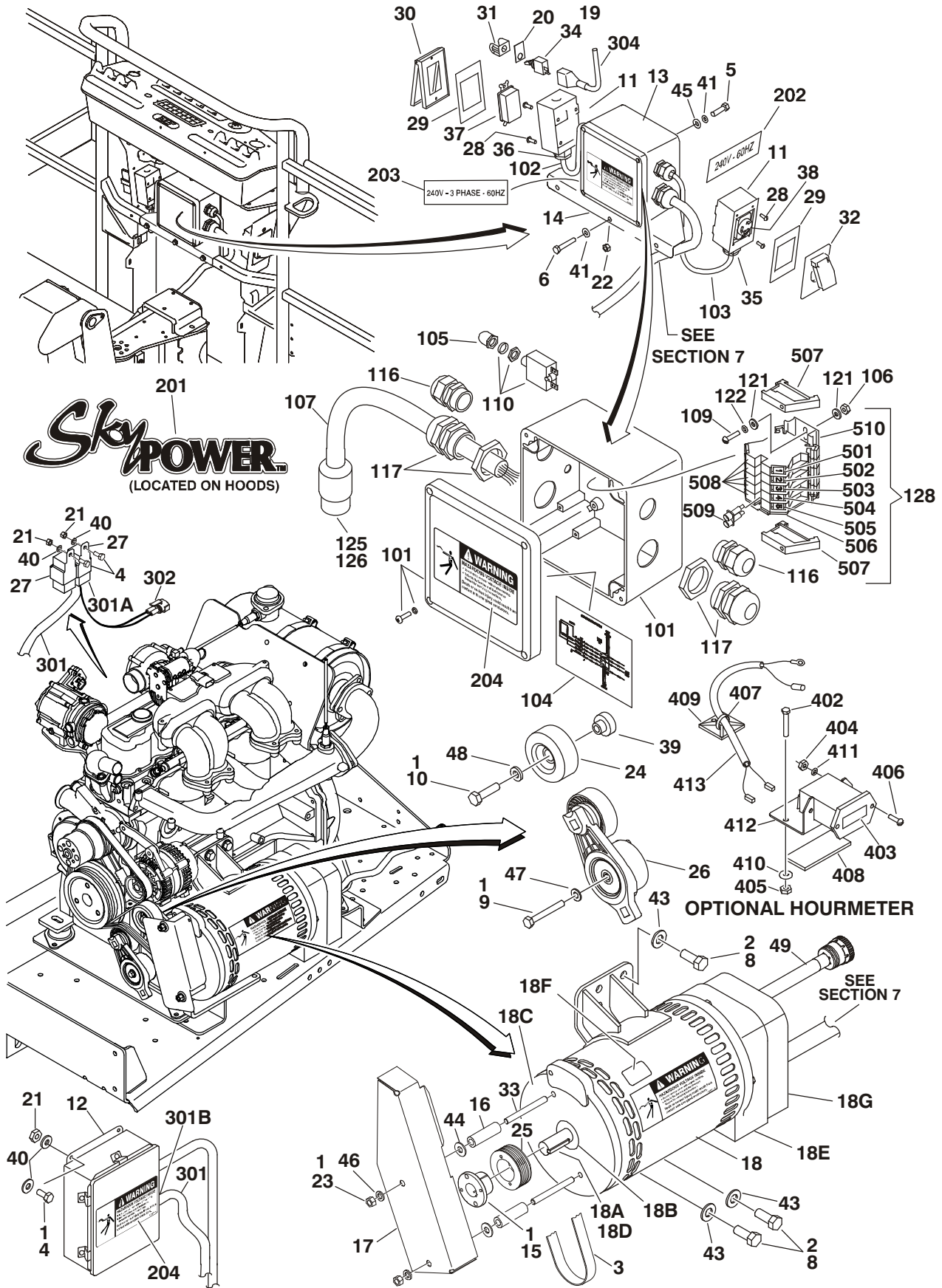
# SECTION 2 TURNTABLE

FIGURE 2-21. 7500W SKYPOWER GENERATOR INSTALLATION - CATERPILLAR & DEUTZ ENGINES (CONTINUED)

ITEM #	PART NUMBER	QTY.	DESCRIPTION	REV.

# SECTION 2 TURNTABLE

FIGURE 2-22. 7500W SKYPOWER GENERATOR INSTALLATION - GM ENGINES



## SECTION 2 TURNTABLE

**FIGURE 2-22. 7500W SKYPOWER GENERATOR INSTALLATION - GM ENGINES**

ITEM #	PART NUMBER	QTY.	DESCRIPTION	REV.
		Ref.	<b>Note: Only Available on USA Built Machines.</b>	
	0275257	Ref.	<b>7500W SKYPOWER GENERATOR INSTALLATION</b>	F
		Ref.	<b>Note: SkyPower Generator is Standard On ANSI &amp; CSA Specs. Optional on All Other Specs.</b>	
		Ref.	<b>Note: See Section 7 for Boom Cable Installation.</b>	
1	0100011	A/R	Compound, Locking	
2	0100019	A/R	Compound, Locking	
3	0480142	1	Belt, Generator	
4	0641405	6	Bolt 1/4in-20NC x 5/8in	
5	0641505	4	Bolt 5/16in-18NC x 5/8in	
6	0641516	3	Bolt 5/16in-18NC x 2in	
7	Not Used			
8	0641808	4	Bolt 1/2in-13NC x 1in	
9	0700820	1	Bolt M8 x 60mm	
10	0701016	1	Bolt M10 x 40mm	
11	0860038	2	Box, Switch	
12	0861538	1	Control Box Assembly	
	7024488	1	Card, Circuit - Generator Power	
	See Note	1	Fuse ( <b>Note: Not Available - Purchase Locally.</b> )	
	7024489	1	Card, Circuit - Control	
	70000619	1	Harness, Control Box (Internal)	
13	0861542	1	Junction Box Assembly (See Items 101-128 for Breakdown)	
14	0902888	1	Bracket, Box Mounting	
15	0962520	1	Bushing, Split Taper	
16	0962521	2	Spacer, Tube (USA Built Machines S/N 0300140000 to S/N 0300168425 & China Built Machines S/N B300000100 to S/N B300000735)	
17	1671311	1	Cover, Generator Belt (USA Built Machines S/N 0300140000 to S/N 0300168425 & China Built Machines S/N B300000100 to S/N B300000735)	
18	2460048	1	Generator Assembly	
	7024484	1	Brushholder Assembly (Not Shown)	
	7024485	1	Breaker, Circuit 30Amp (Not Shown)	
	70001696	1	Boot, Breaker (Not Shown)	
	7027799	1	Block, Connection - 6 Position (Not Shown)	
	70002460	6	Nut, Brass (Attaches p/n 7027799 to Cover) (Not Shown)	
	7026597	1	Connector, W/Lead (Not Shown)	
	7026188	1	Connector, Clamp (Not Shown)	
	70002255	1	Panel, End (Not Shown)	
	70002088	1	Stator (Not Shown)	
	70001974	1	Decal - Terminal Connections (Not Shown)	
	70000863	1	Fan (Not Shown)	
	70002297	4	Stud (Not Shown)	
18A	7024561	1	Key	
18B	70001966	1	Bearing, Shaft (Front)	
18C	70001953	1	Endbell (Front)	
18D	70001100	1	Shaft/Rotor/Windings/Fan/Rear Bearing Assembly	
	70001384	1	Bearing, Shaft (Rear)	

## SECTION 2 TURNTABLE

**FIGURE 2-22. 7500W SKYPOWER GENERATOR INSTALLATION - GM ENGINES**

ITEM #	PART NUMBER	QTY.	DESCRIPTION	REV.
18E	70001385	1	Endbell (Rear)	
18F	70001973	1	Decal - Warning Moving Parts	
18G	70002290	1	Shroud Assy Endbell (Rear)	
19	2820031	1	Insulator	
20	3252764	1	Nameplate	
21	3311405	6	Locknut 1/4in-20NC	
22	3311505	3	Locknut 5/16in-18NC	
23	3311601	2	Nut 3/8in-16NC (USA Built Machines S/N 0300140000 to S/N 0300168425 & China Built Machines S/N B300000100 to S/N B300000735)	
24	3580312	1	Pulley, Idler	
25	3580314	1	Pulley, Drive Grooved	
26	3580348	1	Pulley, Belt Tensioner	
27	3740080	2	Relay	
28	3910606	8	Screw #6-32NC x 3/8in	
29	3960422	2	Gasket	
30	1001110873	1	Cover, Receptacle	
31	4060802	1	Guard, Switch	
32	1001110872	1	Cover, Receptacle	
33	4300111	2	Stud, Chain Assembly (USA Built Machines S/N 0300140000 to S/N 0300168425 & China Built Machines S/N B300000100 to S/N B300000735)	
34	4360336	1	Switch, Toggle	
35	4460051	1	Connector, Strain Relief	
36	4460071	1	Connector, Strain Relief	
37	4460346	1	Receptacle	
38	4460958	1	Receptacle, Female Twist-Lock	
39	4568735	1	Tube, Spacer Pulley Grooved	
40	4711400	10	Flatwasher 1/4in Narrow	
41	4711500	10	Flatwasher 5/16in Narrow	
42	Not Used			
43	4711800	4	Flatwasher 1/2in Narrow	
44	4751600	2	Flatwasher 3/8in Wide (USA Built Machines S/N 0300140000 to S/N 0300168425 & China Built Machines S/N B300000100 to S/N B300000735)	
45	4761500	4	Lockwasher 5/16in	
46	4761600	2	Lockwasher 3/8in (USA Built Machines S/N 0300140000 to S/N 0300168425 & China Built Machines S/N B300000100 to S/N B300000735)	
47	4811900	1	Flatwasher 8mm	
48	4891600	1	Washer, Hardened 3/8in	
49	4922925	1	Harness, Generator	
	0861542	Ref.	<b>JUNCTION BOX ASSEMBLY</b>	D
101	0861541	1	Box, Junction	
102	1060494	2ft/.6m	Cable, Electrical 12/3	
103	1060708	2.5ft/.76m	Cable, Electrical 10/3	
104	1705376	1	Decal - Wiring Schematic	
105	3300396	1	Cover, Fuse	
106	3310601	2	Nut 6-32NC	

# SECTION 2 TURNTABLE

**FIGURE 2-22. 7500W SKYPOWER GENERATOR INSTALLATION - GM ENGINES**

ITEM #	PART NUMBER	QTY.	DESCRIPTION	REV.
107	1060343	1.5ft/.46m	Cable, Electrical 10/4	
108	Not Used			
109	3910610	2	Bolt 6-32NC x 5/8in	
110	4360070	1	Circuit Breaker - 15 Amp	
111 to 115	Not Used			
116	4460425	2	Strain Relief, Terminal	
117	4460426	2	Connector, Strain Relief	
118 to 120	Not Used			
121	4750600	4	Flatwasher, #6 Wide	
122	4760600	2	Lockwasher #6	
123 to 124	Not Used			
125	1671092	1	Cover	
126	4460963	1	Connector	
127	Not Used			
128	1001121340	1	Terminal Block Assembly (See Items 501-510 for Breakdown)	
	0272435	Ref.	<b>DECAL INSTALLATION</b>	A
201	1705460	2	Decal - SkyPower™	
202	1705374	1	Decal - 240V - 60Hz	
203	1705375	1	Decal - 240V - 3 Phase	
204	1705387	3	Decal, Hazardous Voltage	
	4933349	Ref.	<b>ELECTRICAL DIAGRAM COMPONENTS</b>	A
301	4923420	1	Generator Harness	A
301A	4460374	2	Plug, Sealed Relay	
	4460375	8	Terminal	
301B	4460967	1	Plug, Male - 3 Position	
	4460465	3	Socket, Female	
301C	2400060	2	Fuseholder (Not Shown)	
	2400064	2	Fuse - 5 Amp (Not Shown)	
302	4460742	1	Connector - 2 Position	
	4460743	2	Socket, Female	
	4460458	2	Seal	
303	Not Used			
304	4922641	1	Switch Harness	
	1001094475	Ref.	<b>HOURLY METER INSTALLATION (OPTIONAL)</b>	B
401	Not Used			
402	0720808	1	Screw #8-32 x 1in	
403	2420165	1	Hourmeter	
404	3310601	2	Nut #6-32	
405	3310805	1	Locknut #8-32	
406	3910608	2	Screw #6-32 x 1/2in	
407	4240032	4	Strap, Tie	
408	4420060	3in/7cm	Tape, Double-Sided	
409	4460234	3	Mount, Tie Strap	



## SECTION 2 TURNTABLE

**FIGURE 2-22. 7500W SKYPOWER GENERATOR INSTALLATION - GM ENGINES**

ITEM #	PART NUMBER	QTY.	DESCRIPTION	REV.
410	4750800	1	Washer #8	
411	4760600	2	Lockwasher #6	
412	1001094375	1	Bracket, Hourmeter	
413	1001094509	1	Harness, Hourmeter	
414	4460018	1	Connector, Butt Splice (Not Shown)	
	1001121340	Ref.	<b>TERMINAL BLOCK ASSEMBLY</b>	A
501	70002818	2	Marker Strip #1	
502	70002819	4	Marker Strip #2	
503	70002820	2	Marker Strip #3	
504	70002821	2	Marker Strip #4	
505	70002822	4	Marker Strip #5	
506	70002823	1	Terminal, End Barrier	
507	70002824	2	Terminal, End Block	
508	70002825	7	Terminal, Block	
509	70002826	2	Terminal, Cross Connector Jumper	
510	3641533	1	Rail, Relay	

# **SECTION 3 BOOM**

# SECTION 3 BOOM

FIGURE 3-1. TOWER BOOM, UPRIGHT AND CYLINDERS INSTALLATION

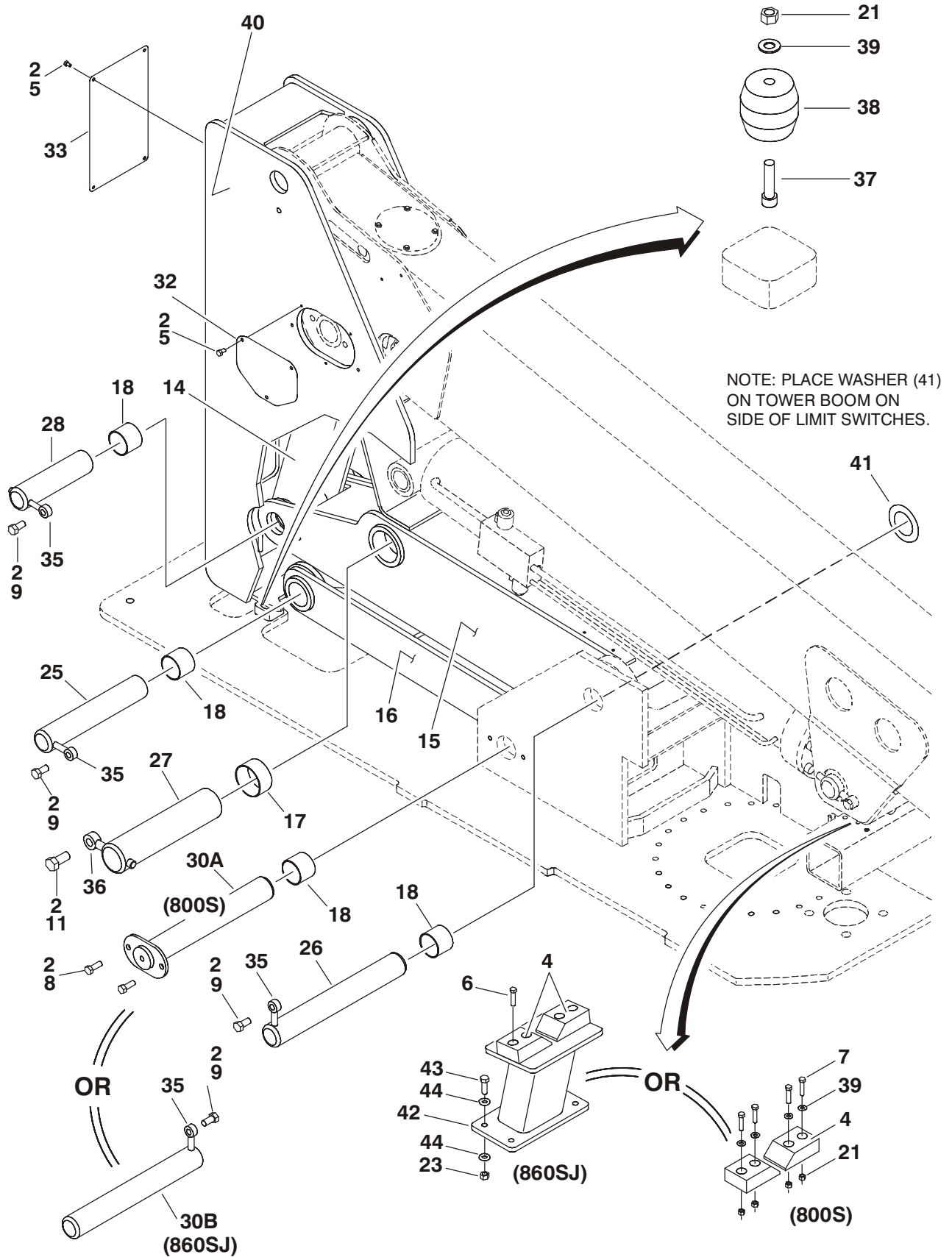


FIGURE 3-1. TOWER BOOM, UPRIGHT AND CYLINDERS INSTALLATION

ITEM #	PART NUMBER	QTY.	DESCRIPTION	REV.
		Ref.	<b>TOWER BOOM, UPRIGHT &amp; CYLINDERS INSTALLATIONS</b>	
	0270876	Ref.	<b>800S</b>	L
	0270877	Ref.	<b>860SJ</b>	K
1	Not Used			
2	0100011	A/R	Compound, Locking	
3	Not Used			
4	0561380	1	Block, Boom Rest	
5	0641504	10	Bolt 5/16in-18NC x 5/8in	
6	0641612	4	Bolt 3/8in-16NC x 1-1/2in (860SJ Only)	
7	0641613	4	Bolt 3/8in-16NC x 1-1/2in (800S Only)	
8	0642014	A/R	Bolt 5/8in-11NC x 1-3/4in	
9	0642212	A/R	Bolt 3/4in-10NC x 1-1/2in	
10	Not Used			
11	0642618	1	Bolt 1in-8NC x 2-1/4in	
12 to 13	Not Used			
14		1	Power Link Weldment Options:	
	1001117804	1	800S (Includes Qty. 4 of item 18.)	
	1001117805	1	860SJ (Includes Qty. 4 of item 18.)	
15		1	Tower Weldment Options:	
	0801279		800S	
	0801306		860SJ	
16		1	Link (Tower) Weldment Options:	
	0801280		800S	
	0801307		860SJ	
17	0962122	2	Bushing	
18	0962297	10	Bushing	
19 to 20	Not Used			
21	3311605	6	Locknut 3/8in-16NC	
22	Not Used			
23	3311805	4	Locknut 1/2in-13NC (860SJ Only)	
24	Not Used			
25	3422908	1	Pin	
26	3422909	1	Pin	
27	3422910	1	Pin	
28	3422920	1	Pin	
29	Not Used			
30		1	Pin Options:	
30A	3422930		800S	
30B	3422909		860SJ	
31	Not Used			
32	3573049	2	Cover, Upright Side	
33	3573050	1	Cover, Upright Rear	
34	Not Used			
35	3841287	A/R	Keeper, Pin	
36	3841356	1	Keeper, Pin	
37	3931624	2	Capscrew, Socket Head 3/8in-16NC x 1-1/2in	
38	4160187	2	Spring, Rubber	
39	4711600	A/R	Flatwasher 3/8in Narrow	

## SECTION 3 BOOM

**FIGURE 3-1. TOWER BOOM, UPRIGHT AND CYLINDERS INSTALLATION (CONTINUED)**

ITEM #	PART NUMBER	QTY.	DESCRIPTION	REV.
40	4846355	1	Upright	
41	4740492	1	Washer, Thrust	
42	4846427	1	Rest, Boom (860SJ Only)	
43	0641812	4	Bolt 1/2in-13NC x 1-1/2in (860SJ Only)	
44	4711800	8	Flatwasher 1/2in Narrow (860SJ Only)	

**FIGURE 3-1. TOWER BOOM, UPRIGHT AND CYLINDERS INSTALLATION (CONTINUED)**

ITEM #	PART NUMBER	QTY.	DESCRIPTION	REV.

# SECTION 3 BOOM

FIGURE 3-2. MAIN BOOM INSTALLATION - 800S

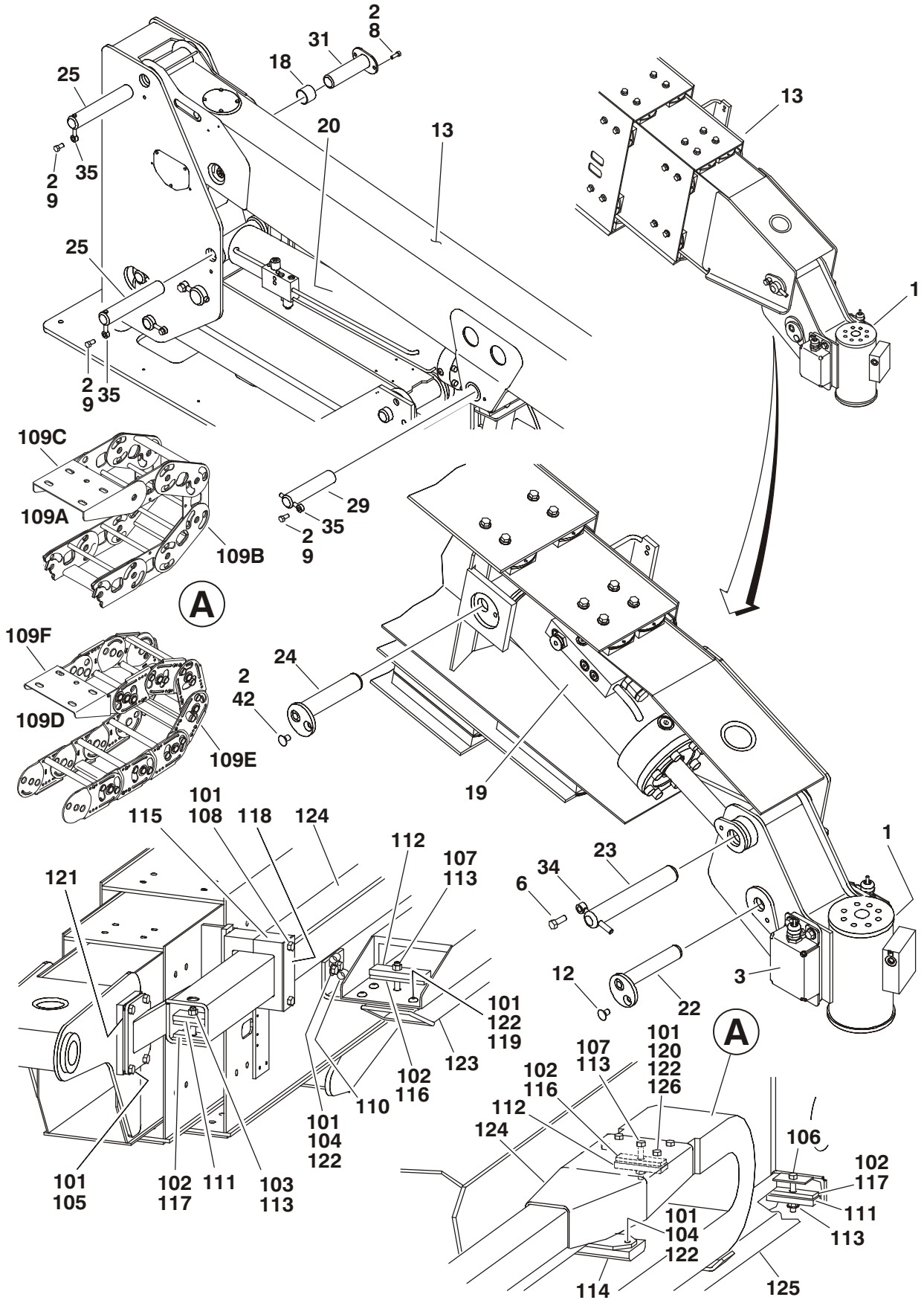


FIGURE 3-2. MAIN BOOM INSTALLATION - 800S

ITEM #	PART NUMBER	QTY.	DESCRIPTION	REV.
	0270876	Ref.	<b>BOOM AND CYLINDERS INSTALLATION</b>	L
1	0060061	1	Rotator Assembly (See Figure 3-5 for Breakdown)	
2	0100011	A/R	Compound, Locking	
3	0273695	1	Platform Level Sensor Switch Assembly (See Figure 3-6 for Breakdown)	
4 to 5	Not Used			
6	0641608	1	Bolt 3/8in-16NC x 1in	
7	Not Used			
8	0642014	2	Bolt 5/8in-11NC x 1-3/4in	
9	0642212	3	Bolt 3/4in-10NC x 1-1/2in	
10 to 11	Not Used			
12	0741605	1	Bolt 3/8in-16NC x 5/8in	
13	0801274	1	Main Boom Assembly (See Figure 3-4 for Breakdown)	
14 to 17	Not Used			
18	0962297	2	Bushing	
19	1684189	1	Platform Level Cylinder Assembly (See Section 5 for Breakdown)	
20	1684199	1	Main Lift Cylinder Assembly (See Section 5 for Breakdown)	
21	Not Used			
22	3422580	1	Pin	
23	3422562	1	Pin	
24	3422569	1	Pin	
25	3422908	2	Pin	
26 to 28	Not Used			
29	3422922	1	Pin	
30	Not Used			
31	3422931	1	Pin	
32 to 33	Not Used			
34	3841143	1	Keeper, Pin	
35	3841287	3	Keeper, Pin	
36 to 41	Not Used			
42	3900192	1	Screw 3/8in-16NC x 1/2in	
	0271990	Ref.	<b>POWER TRACK INSTALLATION</b>	D
101	0100011	A/R	Compound, Locking	
102	0100081	A/R	Adhesive	
103	0630539	1	Bolt 3/8in-16NC x 3-1/2in	
104	0641606	12	Bolt 3/8in-16NC x 3/4in	
105	0641608	4	Bolt 3/8in-16NC x 1in	
106	0641620	1	Bolt 3/8in-16NC x 2-1/2in	
107	0641622	2	Bolt 3/8in-16NC x 2-3/4in	
108	0641652	2	Bolt 3/8in-16NC x 6-1/2in	
109		1	Power Track Assembly Options:	
		Ref.	<b>Note: Original Equipment Power Track may have been replaced with a Service Replacement. Visually identify the power track before ordering parts.</b>	



## SECTION 3 BOOM

**FIGURE 3-2. MAIN BOOM INSTALLATION - 800S (CONTINUED)**

ITEM #	PART NUMBER	QTY.	DESCRIPTION	REV.
109A	Use 1001131731		Power Track Assembly (was p/n 1180375) (USA Built Machines S/N 0300140000 to S/N 0300155912 & China Built Machines S/N B300000100 to S/N B300000517) (Original Equipment)	
109B	7024369	A/R	Repair Section for 1180375 (Includes Inner & Outer Links, Joining Bars & Rollers & Assembling Hardware)	
109C	7024370	1	Mounting Feet for 1180375 (Includes Mounting Brackets for Both Ends, 1 Roller Assembly & Assembling Hardware)	
109D	1001131731		Power Track Assembly (USA Built Machines S/N 0300155912 to Present & China Built Machines S/N B300000517 to Present) (Service Replacement)	
109E	70003921	A/R	Repair Section for 1001131731(Includes 1 Pin Assembly for each end)	
109F	70003922	1	Mounting Feet for 1001131731(Includes Both Pair of Feet)	
110	1320263	2	Clamp, Cable	
111	1320289	2	Clamp, Hose	
112	1320294	2	Bar, Clamping	
113	3311605	4	Locknut 3/8in-16NC	
114	3340787	1	Pad, Wear	
115	3340936	2	Pad, Push Tube	
116	3340942	2	Pad, Rubber	
117	3340943	4	Pad, Rubber	
118	3573418	1	Plate, Backing	
119	3900283	4	Screw, Button Head 3/8in-16NC x 3/4in	
120	3900316	4	Screw, Button Head 3/8in-16NC x 1in	
121	4070969	2	Shim	
122	4711600	20	Flatwasher 3/8in	
123	4846553	2	Support, Push Tube	
124	4846554	1	Tube, Push	
125	4846558	1	Support, Track	
126	3311608	4	Locknut 3/8in-16NC	

**FIGURE 3-2. MAIN BOOM INSTALLATION - 800S (CONTINUED)**

ITEM #	PART NUMBER	QTY.	DESCRIPTION	REV.

# SECTION 3 BOOM

FIGURE 3-3. MAIN BOOM INSTALLATION - 860SJ

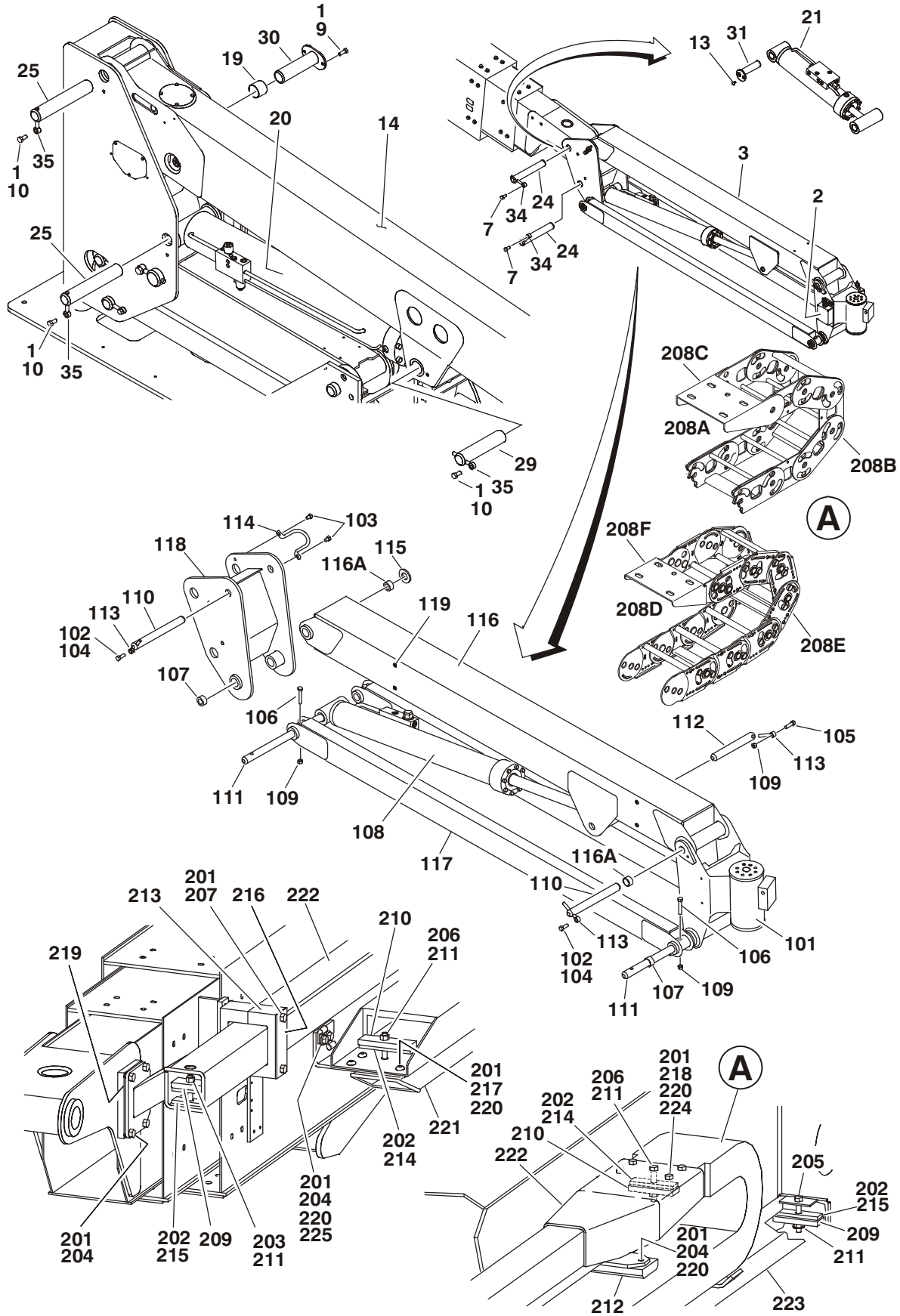


FIGURE 3-3. MAIN BOOM INSTALLATION - 860SJ

ITEM #	PART NUMBER	QTY.	DESCRIPTION	REV.
	0270877	Ref.	<b>BOOM AND CYLINDERS INSTALLATION</b>	K
1	0100011	A/R	Compound, Locking	
2	0273695	1	Platform Level Sensor Switch Assembly (See Figure 3-6 for Breakdown)	
3	0271444	1	Jib Assembly (See Items 101 to 120 for Breakdown)	
4 to 6	Not Used			
7	0641808	2	Bolt 1/2in-13NC x 1in	
8	Not Used			
9	0642014	2	Bolt 5/8in-11NC x 1-3/4in	
10	0642212	3	Bolt 3/4in-10NC x 1-1/2in	
11 to 12	Not Used			
13	3900192	1	Screw 3/8in-16NC x 1/2in	
14	0801281	1	Main Boom Assembly (See Figure 3-4 for Breakdown)	
15 to 18	Not Used			
19	0962297	2	Bushing	
20	1684202	1	Main Lift Cylinder Assembly (See Section 5 for Breakdown)	
21	1684136	1	Platform Level Cylinder Assembly (See Section 5 for Breakdown)	
22 to 23	Not Used			
24	3422793	2	Pin	
25	3422908	2	Pin	
26 to 28	Not Used			
29	3422922	1	Pin	
30	3422931	1	Pin	
31	3422932	1	Pin	
32 to 33	Not Used			
34	3841203	3	Keeper, Pin	
35	3841287	3	Keeper, Pin	
	0271444	Ref.	<b>JIB ASSEMBLY</b>	F
101	0060048	1	Rotator Assembly (See Figure 3-5 for Breakdown)	
102	0100011	A/R	Compound, Locking	
103	0641604	2	Bolt 3/8in-16NC x 1/2in	
104	0641608	2	Bolt 3/8in-16NC x 1in	
105	0641610	1	Bolt 3/8in-16NC x 1-1/4in	
106	0641618	4	Bolt 3/8in-16NC x 2-1/4in	
107	0961947	A/R	Bushing	
108	1683609	1	Jib Lift Cylinder Assembly (See Section 5 for Breakdown)	
109	3311605	5	Locknut 3/8in-16NC	
110	3422860	2	Pin	
111	3422861	2	Pin	
112	3422867	1	Pin	
113	3841143	3	Keeper, Pin	
114	3841340	1	Loop, Hose	
115	4740439	2	Washer, Thrust	
116	4844816	1	Link, Jib (Upper)	
116A	0962335	4	Bushing	
117	4844817	2	Link, Jib (Lower)	

## SECTION 3 BOOM

**FIGURE 3-3. MAIN BOOM INSTALLATION - 860SJ (CONTINUED)**

ITEM #	PART NUMBER	QTY.	DESCRIPTION	REV.
118	4846435	1	Pivot, Jib	
119	3520034	4	Plug, Hole	
	0271991	Ref.	<b>POWER TRACK INSTALLATION</b>	D
201	0100011	A/R	Compound, Locking	
202	0100081	A/R	Adhesive	
203	0630539	1	Bolt 3/8in-16NC x 3-1/2in	
204	0641606	16	Bolt 3/8in-16NC x 3/4in	
205	0641620	1	Bolt 3/8in-16NC x 2-1/2in	
206	0641622	2	Bolt 3/8in-16NC x 2-3/4in	
207	0641652	2	Bolt 3/8in-16NC x 6-1/2in	
208		1	Power Track Assembly Options:	
		Ref.	<b>Note: Original Equipment Power Track may have been replaced with a Service Replacement. Visually identify the power track before ordering parts.</b>	
208A	Use 1001131731		Power Track Assembly (was p/n 1180375) (USA Built Machines S/N 0300140000 to S/N 0300155912 & China Built Machines S/N B300000100 to S/N B300000517) (Original Equipment)	
208B	7024369	A/R	Repair Section for 1180375 (Includes Inner & Outer Links, Joining Bars & Rollers & Assembling Hardware)	
208C	7024370	1	Mounting Feet for 1180375 (Includes Mounting Brackets for Both Ends, 1 Roller Assembly & Assembling Hardware)	
208D	1001131731		Power Track Assembly (USA Built Machines S/N 0300155912 to Present & China Built Machines S/N B300000517 to Present) (Service Replacement)	
208E	70003921	A/R	Repair Section for 1001131731 (Includes 1 Pin Assembly for each end)	
208F	70003922	1	Mounting Feet for 1001131731 (Includes Both Pair of Feet)	
209	1320289	2	Clamp, Hose	
210	1320294	2	Bar, Clamping	
211	3311605	4	Locknut 3/8in-16NC	
212	3340787	1	Pad, Wear	
213	3340936	2	Pad, Push Tube	
214	3340942	2	Pad, Rubber	
215	3340943	4	Pad, Rubber	
216	3573418	1	Plate, Backing	
217	3900283	4	Screw, Button Head 3/8in-16NC x 3/4in	
218	3900316	4	Screw, Button Head 3/8in-16NC x 1in	
219	4070969	2	Shim	
220	4711600	20	Flatwasher 3/8in	
221	4846553	1	Support, Push Tube	
222	4846555	1	Tube, Push	
223	4846558	1	Support, Track	
224	3311608	4	Locknut 3/8in-16NC	
225	1320263	2	Clamp, Cable	

**FIGURE 3-3. MAIN BOOM INSTALLATION - 860SJ (CONTINUED)**

ITEM #	PART NUMBER	QTY.	DESCRIPTION	REV.

# SECTION 3 BOOM

FIGURE 3-4. MAIN BOOM ASSEMBLIES

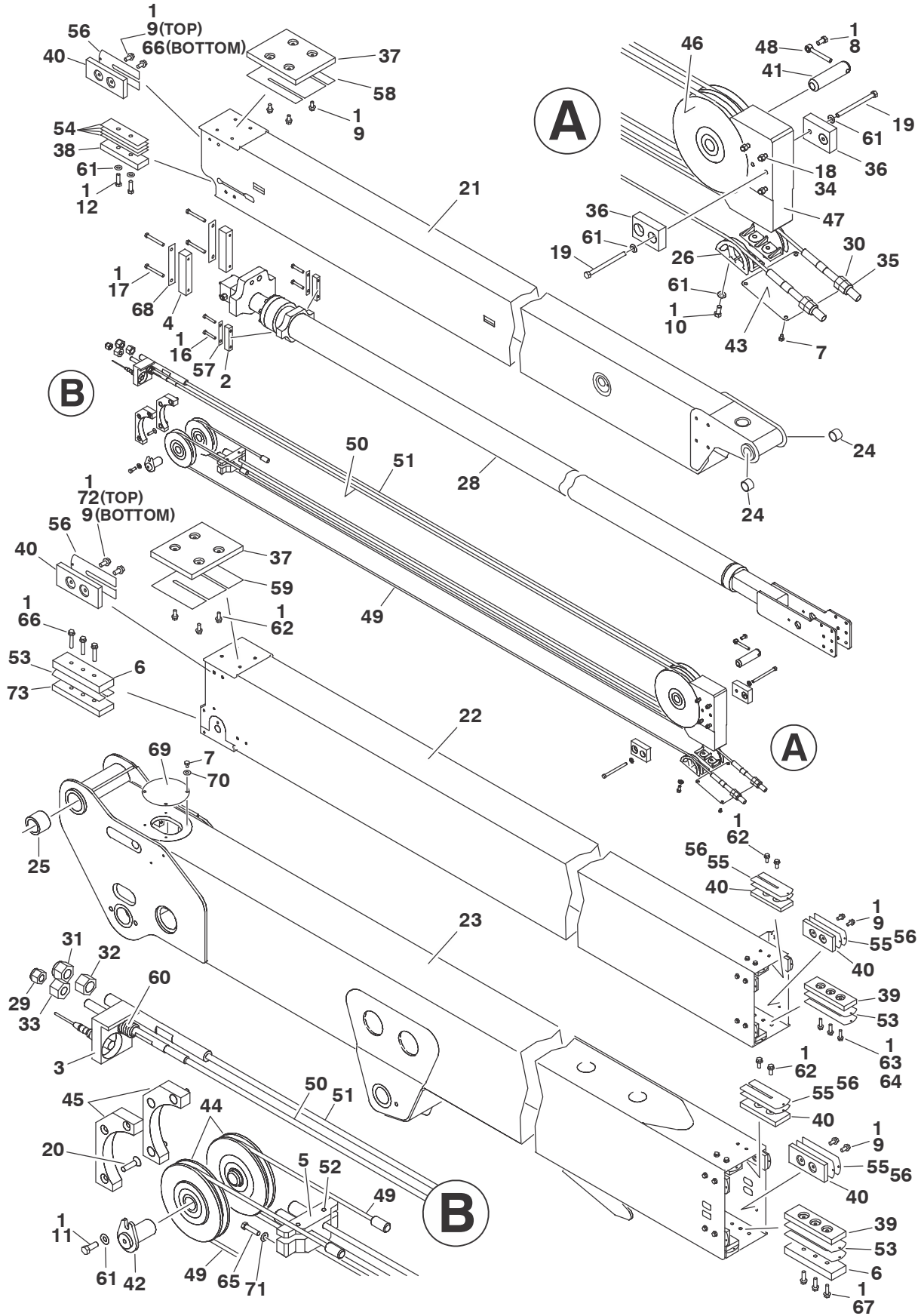


FIGURE 3-4. MAIN BOOM ASSEMBLIES

ITEM #	PART NUMBER	QTY.	DESCRIPTION	REV.
		Ref.	<b>MAIN BOOM ASSEMBLY OPTIONS:</b>	
	0801274	Ref.	<b>800S</b>	K
	0801281	Ref.	<b>860SJ</b>	L
1	0100011	A/R	Compound, Locking	
2	0561185	2	Block, Telescope Attach	
3	0561445	1	Block, Spring Mounting	
4	0561446	2	Block, Tele Mount	
5	0561447	1	Block, Cable Mount	
6	0561449	3	Block, Spacer	
7	0641403	8	Bolt 1/4in-20NC x 3/8in	
8	0641606	1	Bolt 3/8in-16NC x 3/4in	
9	0811606	28	Screw 3/8in-16NC x 3/4in	
10	0641607	4	Bolt 3/8in-16NC x 3/4in	
11	0641608	2	Bolt 3/8in-16NC x 1in	
12	0641610	4	Bolt 3/8in-16NC x 1-1/4in	
13 to 15	Not Used			
16	0641616	4	Bolt 3/8in-16NC x 2in	
17	0641626	4	Bolt 3/8in-16NC x 3-1/4in	
18	0641634	4	Bolt 3/8in-16NC x 4 1/4in	
19	0641640	2	Bolt 3/8in-16NC x 5in	
20	0741612	6	Screw, Flathead 3/8in-16NC x 1-1/2in	
21		1	Fly Weldment Options:	
	0801275		800S	
	0801282		860SJ	
22		1	Mid Weldment Options:	
	0801649		800S	
	0801647		860SJ	
23		1	Base Weldment Options:	
	0801325		800S	
	0801326		860SJ	
24	0961948	2	Bearing (860SJ Only)	
25	0962297	2	Bearing	
26	1220078	2	Sheave, Block	
27	Not Used			
28		1	Telescope Cylinder Assembly Options (See Section 5 for Breakdown):	
	1684041		800S	
	1684043		860SJ	
29	3300240	1	Nut	
30	3300241	2	Locknut 3/4in-10NC	
31	3300242	1	Locknut 7/8in-9NC	
32	3272401	1	Nut 7/8in-9NC	
33	3272001	1	Nut 5/8in-11NC	
34	3311605	4	Locknut 3/8in-16NC	
35	3312201	2	Nut 3/4in-10NC	



## SECTION 3 BOOM

**FIGURE 3-4. MAIN BOOM ASSEMBLIES (CONTINUED)**

ITEM #	PART NUMBER	QTY.	DESCRIPTION	REV.
36	3340755	2	Pad, Wear Options; USA Built Machines S/N 0300140000 to S/N 0300169345 & China Built Machines S/N B300000100 to S/N B300000749	
	1001148651		USA Built Machines S/N 0300169345 to Present & China Built Machines S/N B300000749 to Present	
37	3340757	2	Pad, Wear	
38	3340758	2	Pad, Rubber Options: USA Built Machines S/N 0300140000 to S/N 0300169345 & China Built Machines S/N B300000100 to S/N B300000749	
	1001148650		USA Built Machines S/N 0300169345 to Present & China Built Machines S/N B300000749 to Present	
39	3340871	4	Pad, Wear	
40	3340881	20	Pad, Rubber Options: USA Built Machines S/N 0300140000 to S/N 0300169345 & China Built Machines S/N B300000100 to S/N B300000749	
	1001148652		USA Built Machines S/N 0300169345 to Present & China Built Machines S/N B300000749 to Present	
41	3422417	1	Pin, Extend Sheave	
42	3422424	2	Pin	
43	3539622	1	Plate, Cover	
44	3580243	2	Sheave, Retract	
	0961951	1	Bushing	
45	3580249	2	Guard, Sheave	
46	3580288	1	Sheave, Extend	
	0961951	2	Bushing	
47	3580289	1	Guard, Sheave	
48	3841143	1	Keeper, Pin	
49	3890013	2	Cable, Wire Rope 800S	
	3890016		860SJ	
50	3890014	1	Cable, Wire Rope 800S	
	3890017		860SJ	
51	3890015	1	Cable, Wire Rope 800S	
	3890018		860SJ	
52	3951608	2	Setscrew 3/8in-16NC x 1in	
53	4070863	5	Shim (#11 Gauge)	
54	4070895	8	Shim (#16 Gauge)	
55	4070897	10	Shim (#18 Gauge)	
56	4070898	22	Shim (#11 Gauge)	
57	4070929	2	Shim (#16 Gauge)	
58	4070939	1	Shim (#16 Gauge)	
59	4070940	1	Shim (#16 Gauge)	
60	4160149	1	Spring, Torsion	
61	4711600	12	Flatwasher 3/8in	
62	0811607	8	Screw 3/8in-16NC x 7/8in	
63	0811608	6	Screw 3/8in-16NC x 1in	
64	0811610	6	Screw 3/8in-16NC x 1-1/4in	
65	0641613	2	Screw 3/8in-16NC x 1-5/8in	

**FIGURE 3-4. MAIN BOOM ASSEMBLIES (CONTINUED)**

ITEM #	PART NUMBER	QTY.	DESCRIPTION	REV.
66	0811614	6	Screw 3/8in-16NC x 1-3/4in	
67	0811616	6	Screw 3/8in-16NC x 2in	
68	4071020	2	Shim (#16 Gauge)	
69	1120510	1	Cover, Pin	
70	4751400	4	Flatwasher 1/4in	
71	4891600	2	Washer, Hardened 3/8in	
72	0641613	4	Screw 3/8in-16NC x 1-5/8in	
73		1	Pad, Wear	
	3340871		USA Built Machines S/N 0300140000 to S/N 0300169345 & China Built Machines S/N B300000100 to S/N B300000749	
	1001148653		USA Built Machines S/N 0300169345 to Present & China Built Machines S/N B300000749 to Present	

# SECTION 3 BOOM

## FIGURE 3-5. ROTATOR ASSEMBLIES

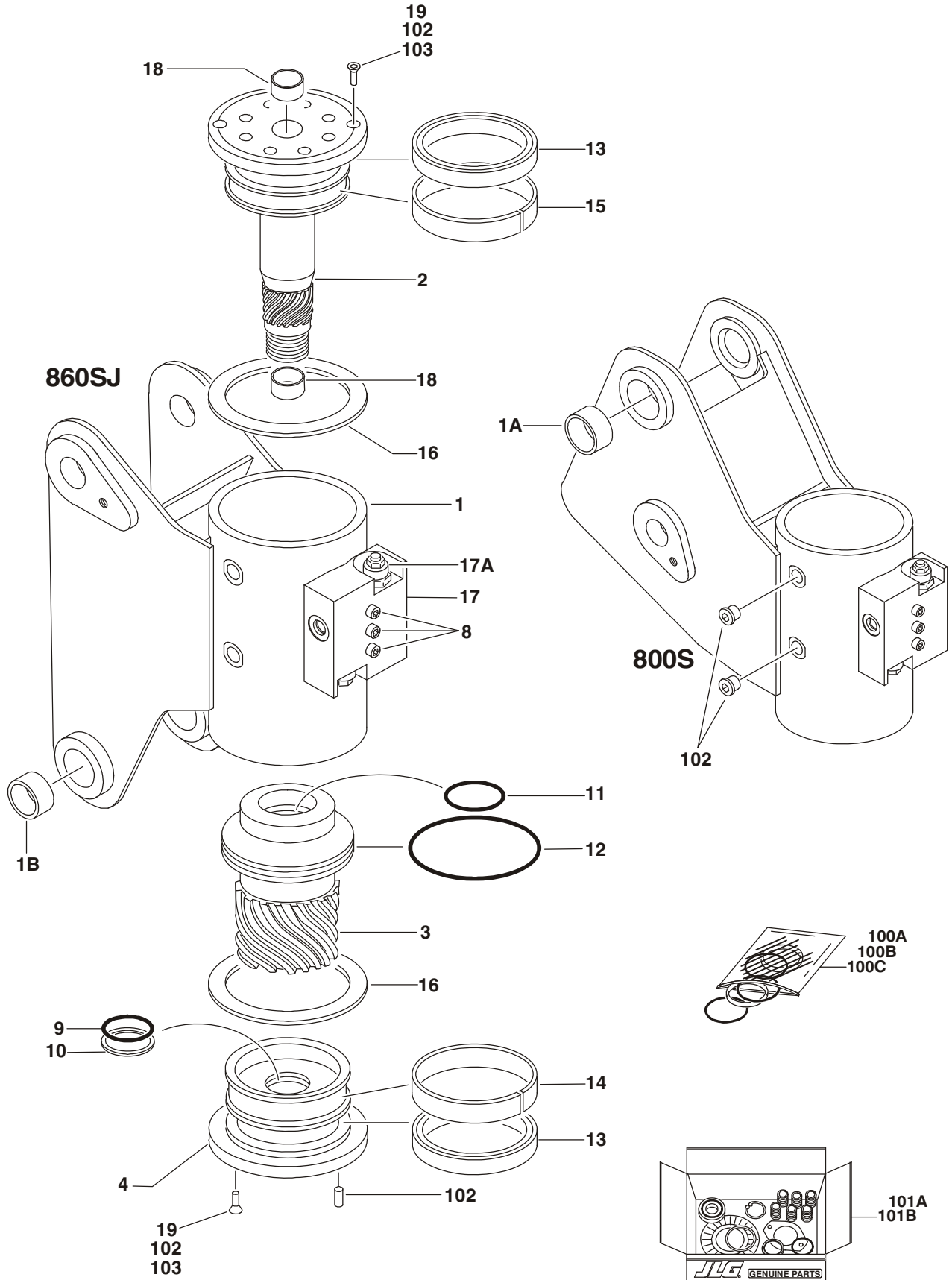


FIGURE 3-5. ROTATOR ASSEMBLIES

ITEM #	PART NUMBER	QTY.	DESCRIPTION	REV.
		Ref.	<b>ROTATOR ASSEMBLIES</b>	
	0060061	Ref.	<b>800S</b>	I
	0060048	Ref.	<b>860SJ</b>	H
1		1	Case/Bracket Weldment	
	7017175		0060061 Rotator	
	7017141		0060048 Rotator	
1A		A/R	Bushing Options: (Top)	
	0961951	2	0060061 Rotator	
	Not Required	0	0060048 Rotator	
1B		A/R	Bushing Options: (Bottom)	
	Not Required	0	0060061 Rotator	
	0961947	2	0060048 Rotator	
2		1	Shaft Options:	
	7017162		0060061 Rotator	
	7017140		0060048 Rotator	
3		1	Sleeve, Piston Options:	
	7017163		0060061 Rotator	
	7017139		0060048 Rotator	
4		1	Cap, End	
5 to 7				
	Not Used			
8		3	Bolt 1/4in-20NC (Grade 8) ( <b>Note: Not Available for Purchase.</b> )	
9		1	Seal, Cap ( <b>Note: Use Items 100A, 100B &amp; 100C</b> )	
10		1	Ring, Back-Up Cap ( <b>Note: Use Items 100A, 100B &amp; 100C</b> )	
11		1	Seal, Rod ( <b>Note: Use Items 100A, 100B &amp; 100C</b> )	
12		1	Seal, Piston ( <b>Note: Use Items 100A, 100B &amp; 100C</b> )	
13		2	Packing, Bearing ( <b>Note: Use Items 100A, 100B &amp; 100C</b> )	
14		1	Bearing, Cap ( <b>Note: Use Items 101A &amp; 101B</b> )	
15		1	Bearing, Shaft ( <b>Note: Use Items 101A &amp; 101B</b> )	
16		2	Washer, Thrust ( <b>Note: Use Items 101A &amp; 101B</b> )	
17		1	Counterbalance Valve Assembly Options:	
	7017172		0060061 Rotator	
	7017125		0060048 Rotator	
17A		2	Valve, Cartridge Options:	
	7017192		0060061 Rotator	
	7011323		0060048 Rotator	
		2	Seal Kit (1 Per Assembly)	
	See Note		7017192 Cartridge ( <b>Note: Not Available - Purchase Complete Assembly.</b> )	
			7011323 Cartridge	
18		2	Bushing	
	2900770			
	7017136			
19		6	Screw, Countersunk (0060048 Rotator)	
	70001697			

## SECTION 3 BOOM

**FIGURE 3-5. ROTATOR ASSEMBLIES (CONTINUED)**

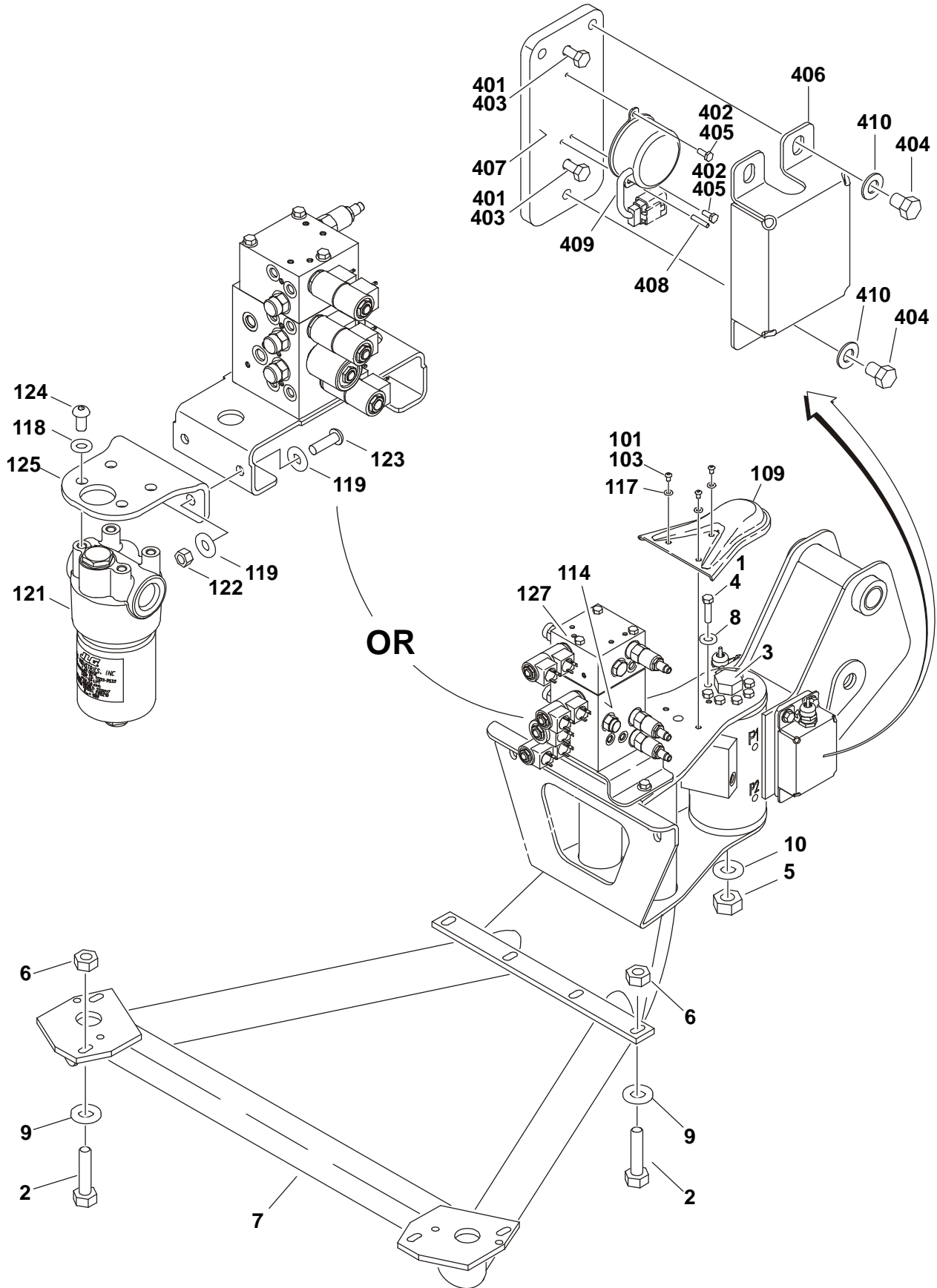
ITEM #	PART NUMBER	QTY.	DESCRIPTION	REV.
		Ref.	<b>KIT OPTIONS:</b>	
100		1	Seal Kit Options: (Includes Items 9-13)	
100A	7017158		0060061 Rotators (Standard)	
100B	70000342		0060061 Rotators (Low Temperature)	
100C	7017137		0060048 Rotator	
101		1	Bearing Kit Options: (Includes Items 14-16)	
101A	7017159		0060061 Rotators	
101B	7017138		0060048 Rotator	
102	7017142	1	Hardware Kit (0060061 Rotators Only) (Includes End Cap Dowel Pins, Plugs & 103)	
103	70001697	4	Screw, Countersunk 1/4in-20NC x 3/8in (Grade 8)	

**FIGURE 3-5. ROTATOR ASSEMBLIES (CONTINUED)**

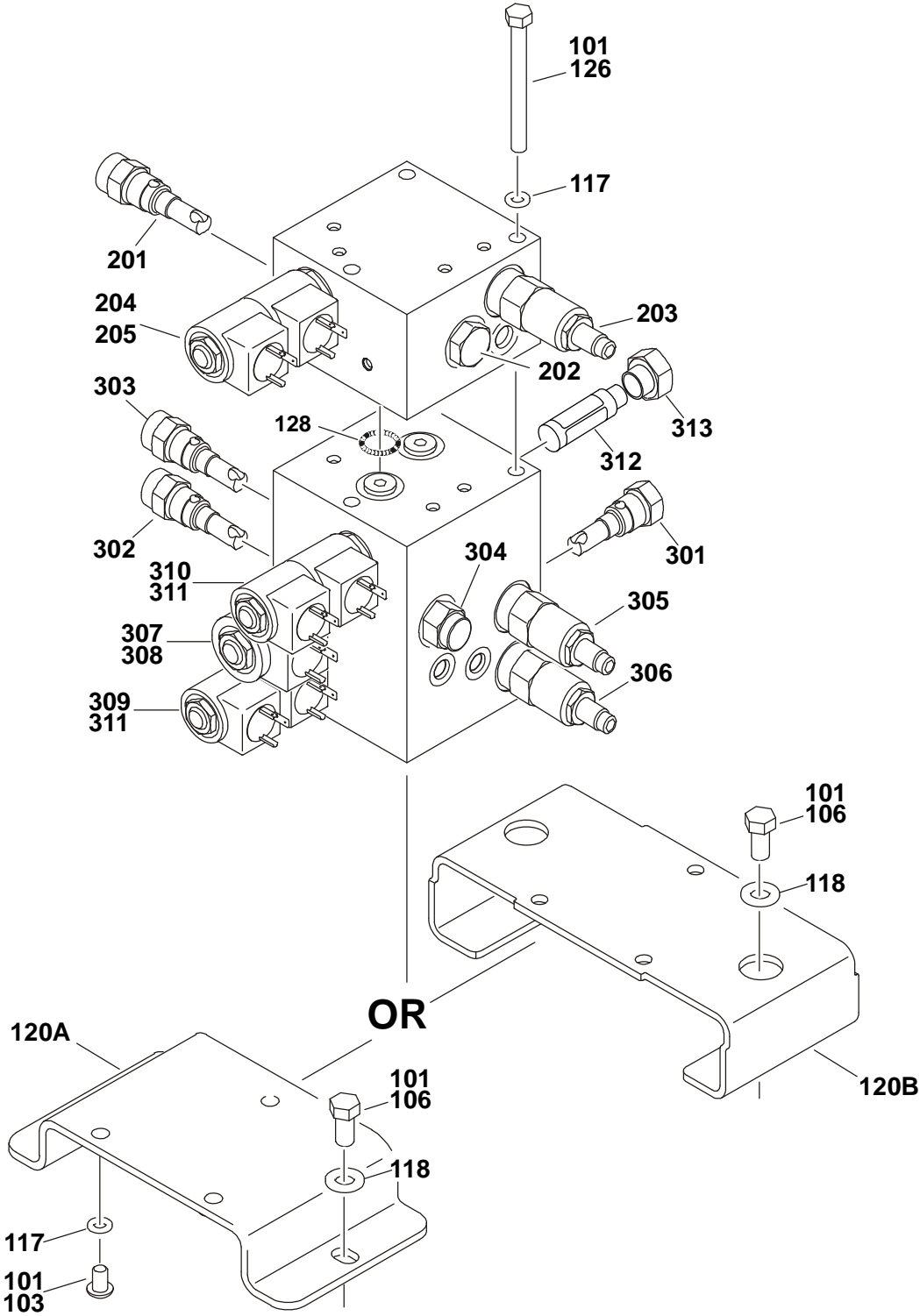
ITEM #	PART NUMBER	QTY.	DESCRIPTION	REV.

# SECTION 3 BOOM

## FIGURE 3-6. PLATFORM SUPPORT & CONTROL VALVES INSTALLATIONS



**SECTION 3 BOOM**





## SECTION 3 BOOM

**FIGURE 3-6. PLATFORM SUPPORT & CONTROL VALVES INSTALLATIONS**

ITEM #	PART NUMBER	QTY.	DESCRIPTION	REV.
		Ref.	<b>PLATFORM SUPPORT INSTALLATION</b>	
	0272070	Ref.	<b>Side Entry Platform Machines without Load Sensing &amp; without SkyGlazier</b>	E
	See Note	Ref.	<b>Side Entry Platform Machines without Load Sensing &amp; with SkyGlazier (Note: For Replacement Parts, Contact JLG Customer Service and Request Manual p/n 3124242.)</b>	
	See Note	Ref.	<b>Side Entry Platform Machines with Load Sensing &amp; without SkyGlazier (Note: For Replacement Parts, Contact JLG Customer Service and Request Manual p/n 3124287.)</b>	
	See Note	Ref.	<b>Side Entry Platform Machines with Load Sensing &amp; with SkyGlazier (Note: For Replacement Parts, Contact JLG CustomerServiceandRequestManualp/n3124287.)</b>	
1	0100011	A/R	Compound, Locking	
2	0641812	8	Bolt 1/2in-13NC x 1-1/2in	
3	0642684	1	Bolt 1in-8NC x 10-1/2in	
4	0681608	8	Bolt 3/8in-16NC x 1in (Grade 8)	
5	3300243	1	Locknut 1in-8NC	
6	3311805	8	Locknut 1/2in-13NC	
7	4846573	1	Support Weldment	
8	4891600	8	Flatwasher 3/8in	
9	4891800	8	Flatwasher 1/2in	
10	4892600	1	Flatwasher 1in	
		Ref.	<b>CONTROL VALVE INSTALLATIONS</b>	
	0274644	Ref.	<b>800S</b>	H
	0274645	Ref.	<b>860SJ</b>	G
101	0100011	A/R	Compound, Locking	
102	Not Used			
103	0630467	A/R	Screw, Button Head	
104 to 105	Not Used			
106	0641606	2	Bolt 3/8in-16NC x 3/4in	
107 to 108	Not Used			
109	1670964	1	Cover	
110 to 113	Not Used			
114		1	Valve, Level/Rotate Options (See Items 301-313 for Breakdown):	
	4641251		USA Built Machines S/N 0300140000 to S/N 0300141319 Only	
	1001118473		USA Built Machines S/N 0300141319 to Present Only & China Built Machines S/N B300000100 to Present Only	
115 to 116	Not Used			
117	4711500	A/R	Flatwasher 5/16in Narrow	
118	4711600	6	Flatwasher 3/8in Narrow	
119	4751600	A/R	Flatwasher 3/8in Wide	
120		1	Plate, Valve Mounting Options:	
120A	4846218		USA Built Machines S/N 0300140000 to S/N 0300141319 Only	

## SECTION 3 BOOM

**FIGURE 3-6. PLATFORM SUPPORT & CONTROL VALVES INSTALLATIONS (CONTINUED)**

ITEM #	PART NUMBER	QTY.	DESCRIPTION	REV.
120B	4341264		USA Built Machines S/N 0300141319 to Present Only & China Built Machines S/N B300000100 to Present Only	
121	2120217	1	Filter, High Pressure (USA Built Machines S/N 0300141319 to Present Only & China Built Machines S/N B300000100 to Present Only) Element, Filter Kit, Seal	
122	3311605	2	Locknut 3/8in-16NC (USA Built Machines S/N 0300141319 to Present Only & China Built Machines S/N B300000100 to Present Only)	
123	3900232	2	Screw 3/8in-16NC x 1-1/4in (USA Built Machines S/N 0300141319 to Present Only & China Built Machines S/N B300000100 to Present Only)	
124	3900283	4	Screw 3/8in-16NC x 3/4in (USA Built Machines S/N 0300141319 to Present Only & China Built Machines S/N B300000100 to Present Only)	
125	0903530	1	Bracket, Filter Mounting (USA Built Machines S/N 0300141319 to Present Only & China Built Machines S/N B300000100 to Present Only)	
126	0641526	3	Bolt 5/16in-18NC x 3-1/4in (860SJ Only)	
127		A/R	Valve, Jib (See Items 201-205 for Breakdown)	
	Not Required	0	800S	
	4641186	1	860SJ	
128	3780117	2	O-Ring (860SJ Only)	
	4641186	Ref.	<b>JIB VALVE ASSEMBLY (860SJ ONLY)</b>	B
201	7012965	1	Valve, Cartridge	
	7012953	1	Seal Kit - 7012965 Valve	
202	7010542	1	Valve, Load Shuttle	
	7010543	1	Seal Kit - 7010542 Valve	
203	7023915	1	Valve, Relief	
	7012967	1	Seal Kit - 7023915 Valve	
204	7023922	1	Valve, Solenoid	
	7017402	1	Seal Kit - 7017452 Valve	
205	7012944	2	Coil	
		Ref.	<b>LEVEL/ROTATE VALVE ASSEMBLY</b>	
	4641251	Ref.	<b>USA Built Machines S/N 0300140000 to S/N 0300141319 Only</b>	B
	1001118473	Ref.	<b>USA Built Machines S/N 0300141319 to Present Only &amp; China Built Machines S/N B300000100 to Present Only</b>	A
301	7012955	1	Valve, Check	
	7012967	1	Seal Kit - 7012955 Valve	
302	7023984	1	Valve, Flow Regulator	
	7012953	1	Seal Kit - 023984 Valves	
303	7012989	1	Valve, Flow Regulator	
	7012953	1	Seal Kit - 7012989 Valve	
304	7012965	1	Valve, Flow Regulator	
	7012953	1	Seal Kit - 7012965 Valves	

## SECTION 3 BOOM

**FIGURE 3-6. PLATFORM SUPPORT & CONTROL VALVES INSTALLATIONS (CONTINUED)**

ITEM #	PART NUMBER	QTY.	DESCRIPTION	REV.
305	7023983	1	Valve, Relief (Level Up)	
	7012967	1	Seal Kit - 7023983 Valve	
306	7023911	1	Valve, Relief (Level Down)	
	7012967	1	Seal Kit - 7023911 Valve	
307	7017479	1	Valve, Solenoid (Pressure)	
	7012518	1	Seal Kit - 7017479 Valve	
308	7012943	1	Coil	
309	7023922	1	Valve, Solenoid (Platform Level)	
	7017402	1	Seal Kit - 7023922 Valve	
310	7017452	1	Valve, Solenoid (Rotator)	
	7017402	2	Seal Kit - 7017452 Valve	
311	7012944	4	Coil	
312	7021616	1	Filter (Used on p/n 4641251 Valve Only)	
313	7024832	1	Plug (Used on p/n 4641251 Valve Only)	
	0273695	Ref.	<b>LEVEL SENSOR SWITCH INSTALLATION</b>	C
401	0100011	A/R	Compound, Locking	
402	0100035	A/R	Compound, Locking	
403	0641406	4	Bolt 1/4in-20NC x 3/4in	
404	0641604	6	Bolt 3/8in-16NC x 1/2in	
405	0720606	4	Screw #6-32NC x 3/8in	
406	1671044	2	Cover, Sensor	
407	3200449	2	Mount, Sensor	
408	3440410	2	Rollpin	
409		2	Switch, Tilt Sensor Options:	
	Use 1001135114		Sensor-Analog (USA Built Machines S/N 0300140000 to S/N 0300161730 Only & China Built Machines S/N B300000100 to S/N B300000640 Only) (was p/n 4360544)	
	1001133329		Sensor-Digital (USA Built Machines S/N 0300161730 to Present Only & China Built Machines S/N B300000640 to Present Only)	
410	4711600	6	Flatwasher 3/8in Narrow	

**FIGURE 3-6. PLATFORM SUPPORT & CONTROL VALVES INSTALLATIONS (CONTINUED)**

ITEM #	PART NUMBER	QTY.	DESCRIPTION	REV.

# SECTION 3 BOOM

## FIGURE 3-7. BOOM CABLE CLAMPS INSTALLATIONS

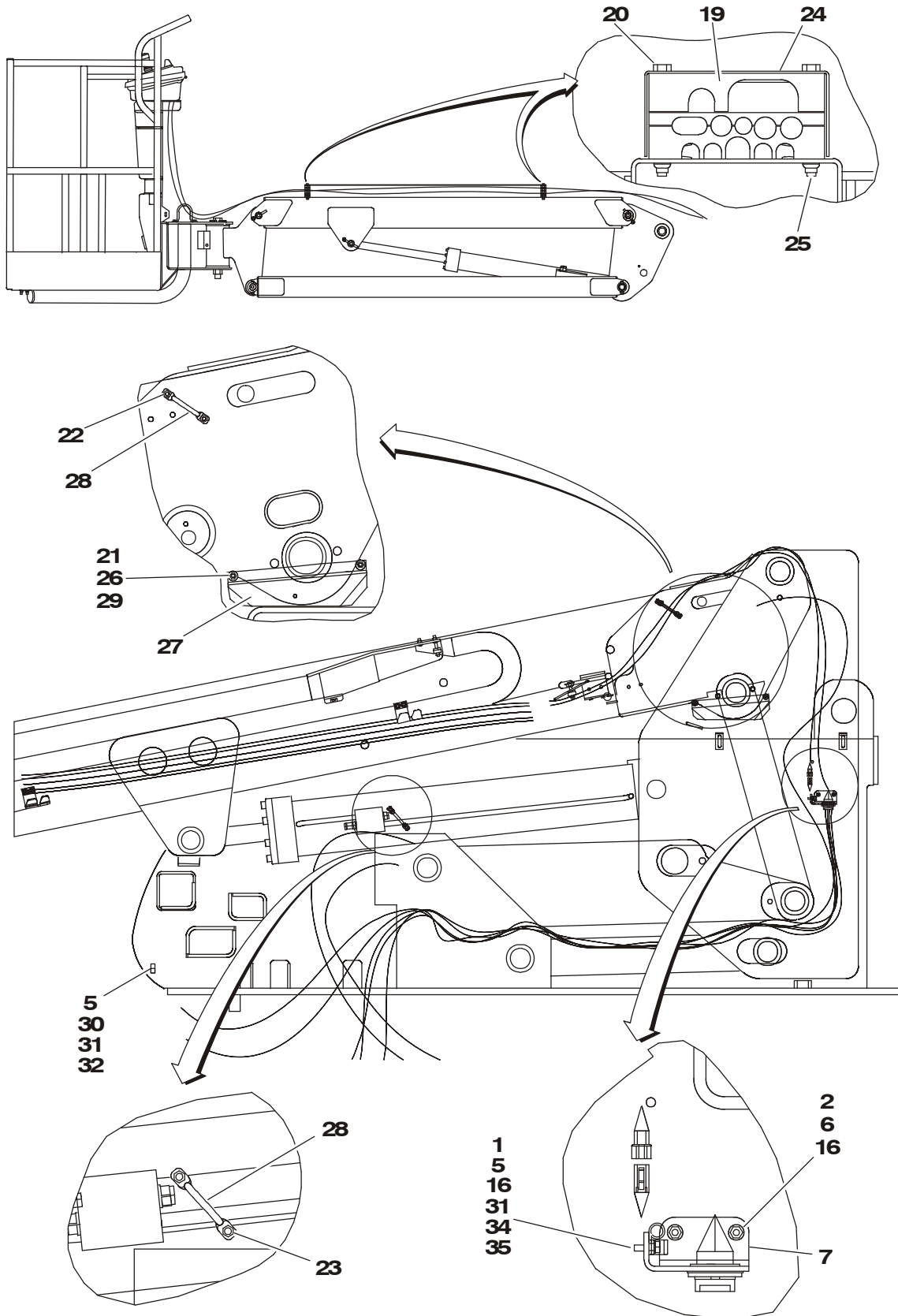


FIGURE 3-7. BOOM CABLE CLAMPS INSTALLATIONS

ITEM #	PART NUMBER	QTY.	DESCRIPTION	REV.
		Ref.	<b>BOOM CABLE CLAMPS INSTALLATION</b>	
		Ref.	<b>800S</b>	
	0271322	Ref.	<b>All Specs Except Australian &amp; CE Specs</b>	I
	0271323	Ref.	<b>Australian &amp; CE Specs Only</b>	I
	0272388	Ref.	<b>All Specs Except Australian &amp; CE Specs With 7500W Generator and Without Arctic Package</b>	G
	1001117399	Ref.	<b>Australian &amp; CE Specs Only With 7500W Generator and Without Arctic Package</b>	B
	1001091609	Ref.	<b>All Specs Except Australian, CE &amp; Japanese Specs Without 7500W Generator and With Arctic Package</b>	C
	1001091664	Ref.	<b>All Specs Except Australian, CE &amp; Japanese Specs With 7500W Generator and Arctic Package</b>	E
		Ref.	<b>860SJ</b>	
	0271324	Ref.	<b>All Specs Except Australian &amp; CE Specs</b>	I
	0271325	Ref.	<b>Australian &amp; CE Specs Only</b>	K
	0272389	Ref.	<b>All Specs Except Australian &amp; CE Specs With 7500W Generator and Without Arctic Package</b>	F
	1001117400	Ref.	<b>Australian &amp; CE Specs Only With 7500W Generator and Without Arctic Package</b>	B
	0275586	Ref.	<b>All Specs Except Australian, CE &amp; Japanese Specs Without 7500W Generator and With Arctic Package</b>	B
	1001091665	Ref.	<b>All Specs Except Australian, CE &amp; Japanese Specs With 7500W Generator and Arctic Package</b>	E
1	0641408	1	Bolt 1/4in-20NC x 1in	
2	0641412	2	Bolt 1/4in-20NC x 1-1/2in	
3 to 4	Not Used			
5		A/R	Clamp Options:	
	1320223	2	Machines Without 7500W Generator	
	Not Required	0	Machines With 7500W Generator	
6	Not Used			
7	3573047	1	Plate, Terminal Mounting	
8 to 15	Not Used			
16	4711400	5	Flatwasher 1/4in Narrow	
17 to 18	Not Used			
19		2	Block, Clamp (860SJ Only) Options:	
	0561484		All Machines Except Machines Without 7500W Generator and With Arctic Package	
	1001091472		Without 7500W Generator and With Arctic Package	
20	0641424	4	Bolt 1/4in-20NC x 3in (860SJ Only)	
21	0641511	2	Bolt 5/16in-18NC x 1-3/8in	
22	0641604	2	Bolt 3/8in-16NC x 1/2in	
23	0641607	2	Bolt 3/8in-16NC x 7/8in	
24	1671034	1	Cover, Jib (860SJ Only)	
25	2080044	4	Rivnut (860SJ Only)	
26	3311505	2	Locknut 5/16in-18NC	
27	3573296	1	Plate, Hose Cover	
28	3841340	2	Loop, Hose	
29	4751500	4	Flatwasher 5/16in	

## SECTION 3 BOOM

**FIGURE 3-7. BOOM CABLE CLAMPS INSTALLATIONS (CONTINUED)**

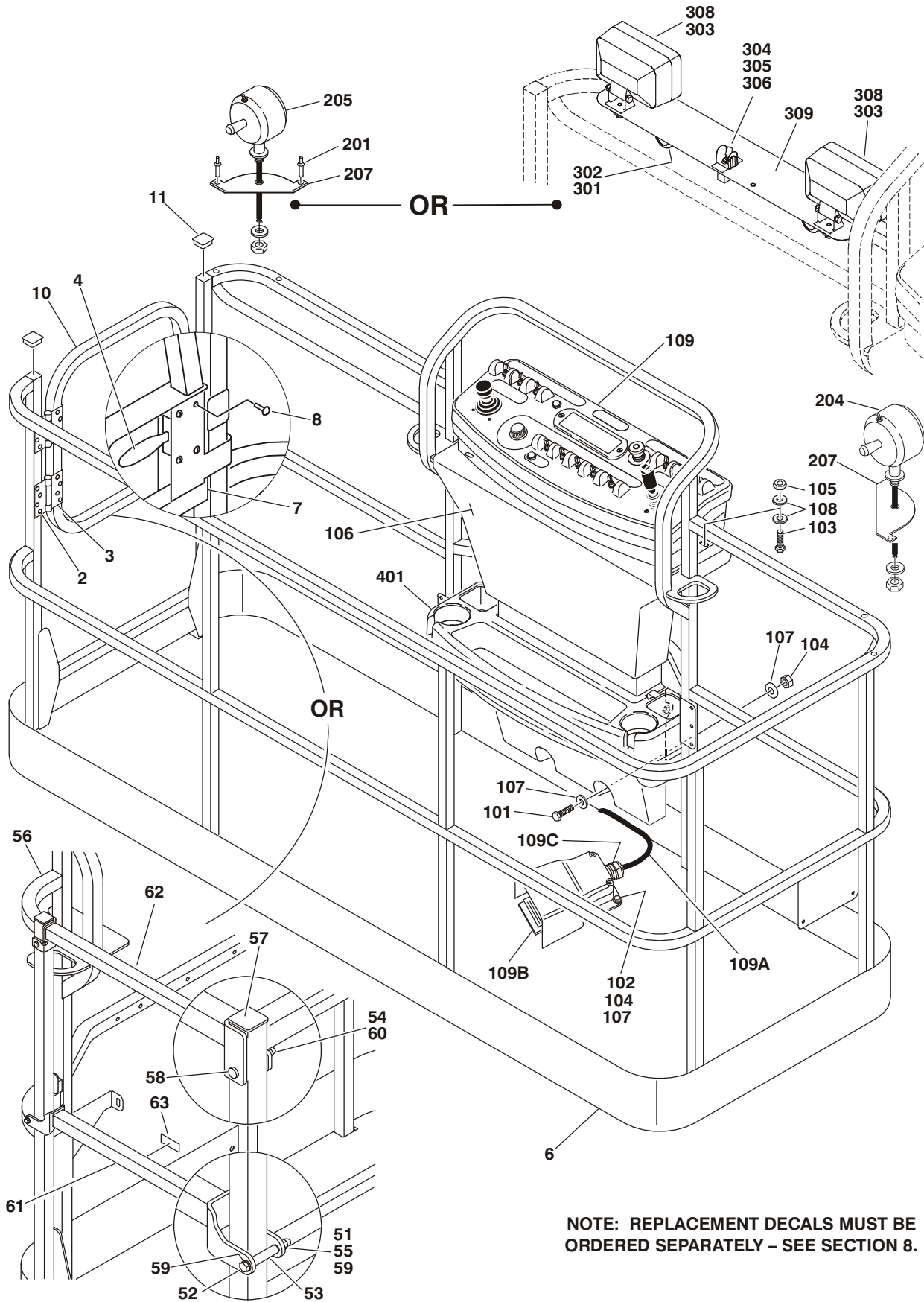
ITEM #	PART NUMBER	QTY.	DESCRIPTION	REV.
30	0641410	A/R 1	Bolt 1/4in-20NC x 1-1/4in Options: Machines Without 7500W Generator	
	Not Required	0		
31	3311405	A/R	Locknut 1/4in-20NC	
32	4751400	A/R 1	Flatwasher 1/4in Options: Machines Without 7500W Generator	
	Not Required	0		
33	Not Used			
34	1320061	1	Clamp	
35	1320041	1	Clamp (Machines With 7500W Generator Only)	

# **SECTION 4 PLATFORM**



# SECTION 4 PLATFORM

## FIGURE 4-1. PLATFORM ASSEMBLIES



**NOTE: REPLACEMENT DECALS MUST BE ORDERED SEPARATELY - SEE SECTION 8.**

## SECTION 4 PLATFORM

**FIGURE 4-1. PLATFORM ASSEMBLIES**

ITEM #	PART NUMBER	QTY.	DESCRIPTION	REV.
		Ref.	<b>PLATFORM ASSEMBLIES:</b>	
	Use 1001144027	Ref.	<b>Platform 30in x 4ft (76cm x 1.22m) with No Mesh (was p/n 3510830)</b>	B/M
	Use 1001144026	Ref.	<b>Platform 30in x 5ft (76cm x 1.5m) with No Mesh (was p/n 3510831)</b>	B/L
	Use 1001144024	Ref.	<b>Platform 36in x 6ft (91.5cm x 1.83m) with No Mesh (was p/n 3510833)</b>	B/I
	Use 1001144023	Ref.	<b>Platform 36in x 8ft (91.5cm x 2.44m) with No Mesh (was p/n 3510822)</b>	B/J
	1001128598	Ref.	<b>Platform 36in x 6ft (91.5cm x 1.83m) With Drop Bar Mesh to Mid Rail (Not Shown)</b>	B
	1001128479	Ref.	<b>Platform 36in x 6ft (91.5cm x 1.83m) With Drop Bar Mesh to Mid Rail (Not Shown)</b>	B
	1001111018	Ref.	<b>Platform 36in x 6ft (91.5cm x 1.83m) With Drop Bar Mesh to Mid Rail (Not Shown)</b>	E
		Ref.	<b>Note: For Platform with Mesh to Top Rail, Platform and Mesh must be ordered separately. See Section 10 for Mesh Installations.</b>	
		Ref.	<b>Note: Replacement Decals Must be Ordered Separately - See Section 8.</b>	
		Ref.	<b>Note: When replacing 8ft/2.44m platform with Soft Touch option, new Soft Touch Rail p/n 4846673 must be purchased to accommodate limit switch locations.</b>	
		Ref.	<b>Note: When replacing platform on machines with SkyCutter option, new bracket p/n 1001145405 must be purchased to accommodate SkyCutter components.</b>	
1	Not Used			
2	2080040	16	Fastener, Huck	
3	2600281	2	Hinge, Self-Closing	
4	2940074	1	Latch	
5	Not Used			
6	See Note	1	<b>Platform Weldment (Note: Not Available - Purchase Complete Platform Assembly.)</b>	
7	3520072	1	Cap-Plug	
8	3820020	4	Rivet, Pop	
9	Not Used			
10		1	Gate Weldment Options:	
	4846452		Gate for Platform p/ns 3510822, 3120830, 3510831 & 3510833	
	1001144629		Gate for Platform p/ns 1001144023, 1001144024, 1001144026 & 1001144027	
	1001111346	1	Drop Bar (Not Shown) p/ns 1001128598, 1001128479 & 1001111018	
11	3520198	2	Cap-Plug	

## SECTION 4 PLATFORM

**FIGURE 4-1. PLATFORM ASSEMBLIES (CONTINUED)**

ITEM #	PART NUMBER	QTY.	DESCRIPTION	REV.
		Ref.	<b>PLATFORM ASSEMBLY WITH DROP-BAR</b>	
	Use 1001144018	Ref.	<b>Platform 30in x 4ft (76cm x 1.22m) with No Mesh (was p/n 1001138431)</b>	B/B
	Use 1001144019	Ref.	<b>Platform 36in x 5ft 5ft x 3ft (91.5cm x 1.5m) (was p/n 1001138432)</b>	B/B
	Use 1001144021	Ref.	<b>Platform 36in x 6ft (91.5cm x 1.83m) with No Mesh (was p/n 1001138434)</b>	B/B
	Use 1001144022	Ref.	<b>Platform 36in x 8ft (91.5cm x 2.44m) with No Mesh (was p/n 1001138430)</b>	B/B
		Ref.	<b>Note: Replacement Decals Must Be Ordered Separately - See Section 8.</b>	
		Ref.	<b>Note: When replacing 8ft/2.44m platform with Soft Touch option, new Soft Touch Rail p/n 4846673 must be purchased to accommodate limit switch locations.</b>	
		Ref.	<b>Note: When replacing platform on machines with SkyCutter option, new bracket p/n 1001145405 must be purchased to accommodate SkyCutter components.</b>	
51	0100011	A/R	Compound, Locking	
52	0641418	2	Bolt 1/4in-20NC x 2-1/4in	
53	0961845	2	Bushing	
54	3290606	2	Nut M6	
55	3300151	2	Nut, Acorn	
56	See Note	1	Platform Weldment ( <b>Note: Not Available - Purchase Complete Platform Assembly.</b> )	
57	3520198	2	Cap-Plug	
58	4010618	2	Screw M6 x 50mm	
59	4711400	4	Flatwasher 1/4in	
60	4811700	2	Flatwasher M6	
61	1001138494	1	Bar, Drop	
62	1001138514	1	Rail (Top)	
63	1001140429	1	Decal - Drop-Bar	
	1001114897	Ref.	<b>FOOTSWITCH AND COVERS INSTALLATIONS</b>	C
101	0641406	2	Bolt 1/4in-20NC x 3/4in	
102	0641408	3	Bolt 1/4in-20NC x 1in	
103	0641610	4	Bolt 3/8in-16NC x 1-1/4in	
104	3311405	5	Locknut 1/4in-20NC	
105	3311605	4	Locknut 3/8in-16NC	
106	3380434	1	Panel, Molded	
107	4740362	7	Washer, Fender	
108	4751600	8	Flatwasher 3/8in (Wide)	
109		1	Platform Console Box Assembly Options (See Figure 4-3 for Breakdown):	
	1001114896		USA Built Machines S/N 0300140000 to S/N 0300161447 & China Built Machines S/N 300000100 to S/N B300000640	
	1001141140		USA Built Machines S/N 0300161447 to Present & China Built Machines S/N B300000640 to Present	

## SECTION 4 PLATFORM

**FIGURE 4-1. PLATFORM ASSEMBLIES (CONTINUED)**

ITEM #	PART NUMBER	QTY.	DESCRIPTION	REV.
109 cont'd		1	Footswitch Assembly (Includes Footswitch, Electrical Cable, Strain Relief Connectors and Connecting Terminals) Options (See Section 7 for Further Breakdown):	
	0272970		USA Built Machines S/N 03000140000 to S/N 0300161447 & China Built Machines S/N B300000100 to S/N B300000640	B
	1001117174		USA Built Machines S/N 0300161447 to Present & China Built Machines S/N B300000640 to Present	B
109A	1060918	7ft/2.14m	Cable, Electrical - 18/3	
109B		1	Footswitch Options (Includes Footswitch & Items 112B & 112C):	
	Use 0272970	Ref.	USA Built Machines S/N 03000140000 to S/N 0300161447 & China Built Machines S/N B300000100 to S/N B300000640 (was p/n 4360031)	
		Ref.	<b>Note: Assembly p/n 0272970 may use either p/n 4360031 or p/n 1001117320. If Original Equipment was replaced as an "assembly," p/n 1001117320 may have been used as part of the Service Replacement. Identify component before ordering parts.</b>	
		1	Footswitch Less Cable Options:	
	4360031		Original Equipment	
	1001117320		Service Replacement	
		A/R	Block, Contact Options (see Note Above):	
	7000625	2	Contact Block for 4360031 Footswitch	
	70003483	1	Contact Block for 1001117320 Footswitch	
	1001117172	Ref.	USA Built Machines S/N 0300161447 to Present & China Built Machines S/N B300000203 to Present	
	70002902	1	Switch, 20Amp	
	70002903	1	Gasket	
	70002904	4	Replacement Kit, Bolt	
	70002905	1	Cover, Aluminum	
109C	4460071	1	Connector, Strain Relief	
		Ref.	<b>WORKLIGHTS INSTALLATIONS (OPTIONAL)</b>	
	0273472	Ref.	<b>800S</b>	D
	0273483	Ref.	<b>860SJ</b>	D
	1001128153	Ref.	<b>860SJ (Worklights / Double Qty Listed for 4 Corner Worklight)</b>	A
201	2080040	A/R	Huck Fastener	
202 to 203	Not Used			
204	2920140	2	Worklight	
	7016399	2	Bulb, Replacement (1 Per Worklight)	
205 to 206	Not Used			
207	3536089	2	Plate, Mounting	
208 to 212	Not Used			
213	4460426	1	Connector, Strain Relief (Not Shown - Located at Console Box)	
214 to 216	Not Used			

## SECTION 4 PLATFORM

**FIGURE 4-1. PLATFORM ASSEMBLIES (CONTINUED)**

ITEM #	PART NUMBER	QTY.	DESCRIPTION	REV.
217		A/R	Hardware Options (Not Shown):	
	2820035	9ft	Loom, Vinyl (2 Work Lights)	
	2820020	1ft	Shrink, Heat (4 Work Lights)	
218	4240099	10	Tie-Strap (Not Shown)	
	0272058	Ref.	<b>FLOODLIGHTS INSTALLATION</b>	B
301	0641518	2	Bolt 5/16in-18NC x 2-1/4in	
302	2560173	2	Handle, Star Knob	
303	2920157	2	Floodlight	
	7024452	2	Bulb, Replacement (1 Per Light)	
304	3250585	1	Nameplate - Lights On	
305	4060802	1	Guard, Switch	
306	4360336	1	Switch, Toggle	
307	4420037	A/R	Tape, Insulation (Not Shown)	
308	4751800	2	Flatwasher 1/2in Wide	
309	4846561	1	Mount, Light	
		Ref.	<b>TRAY INSTALLATIONS (OPTIONAL)</b>	
401	1580012	1	Tray, Storage (Center)	
402	1580013	1	Tray, Storage (Rail Mounted - Not Shown)	

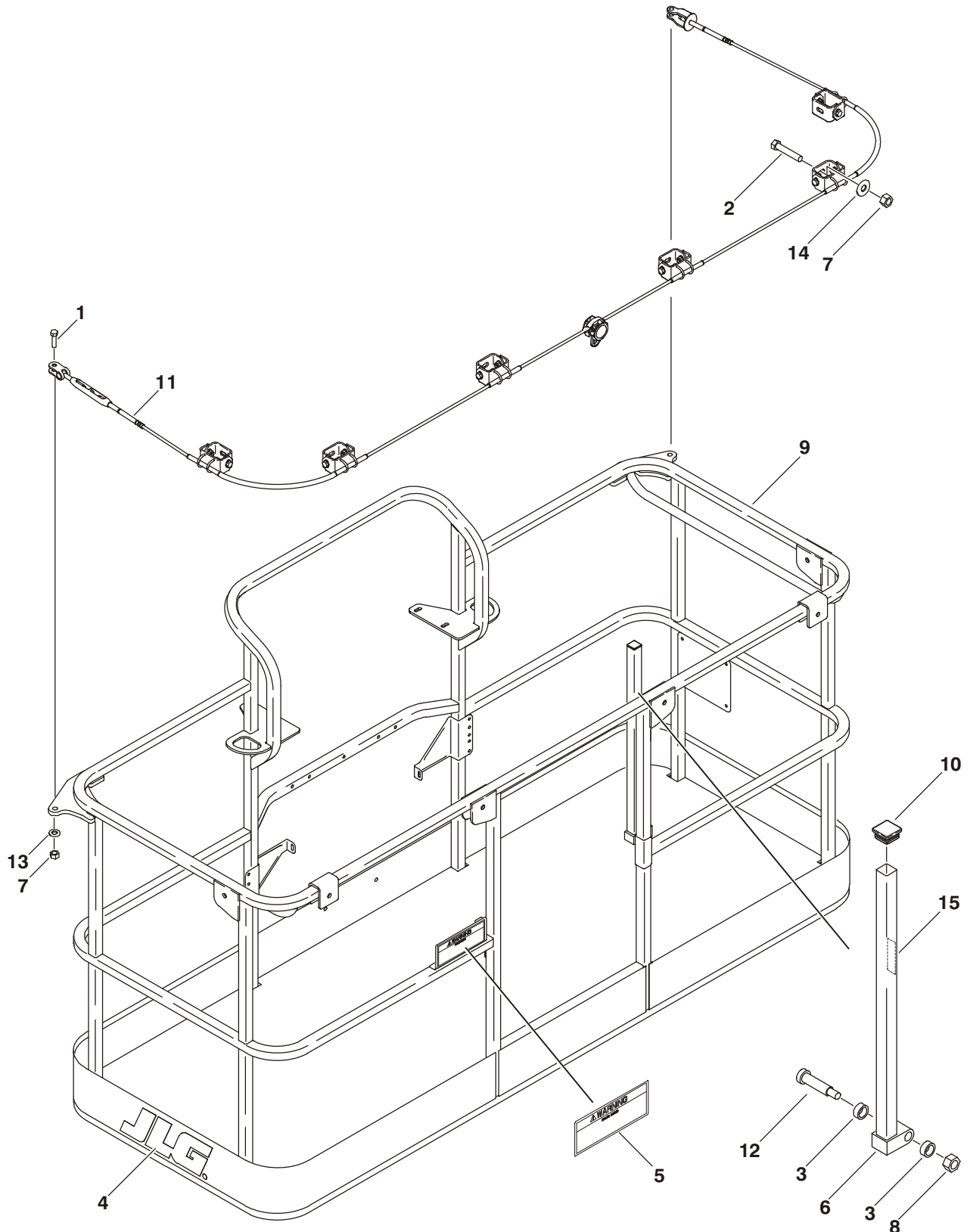
**SECTION 4 PLATFORM**

**FIGURE 4-1. PLATFORM ASSEMBLIES (CONTINUED)**

ITEM #	PART NUMBER	QTY.	DESCRIPTION	REV.

# SECTION 4 PLATFORM

## FIGURE 4-2. PLATFORM COMPONENTS INSTALLATION (FALL ARREST PLATFORM)



## SECTION 4 PLATFORM

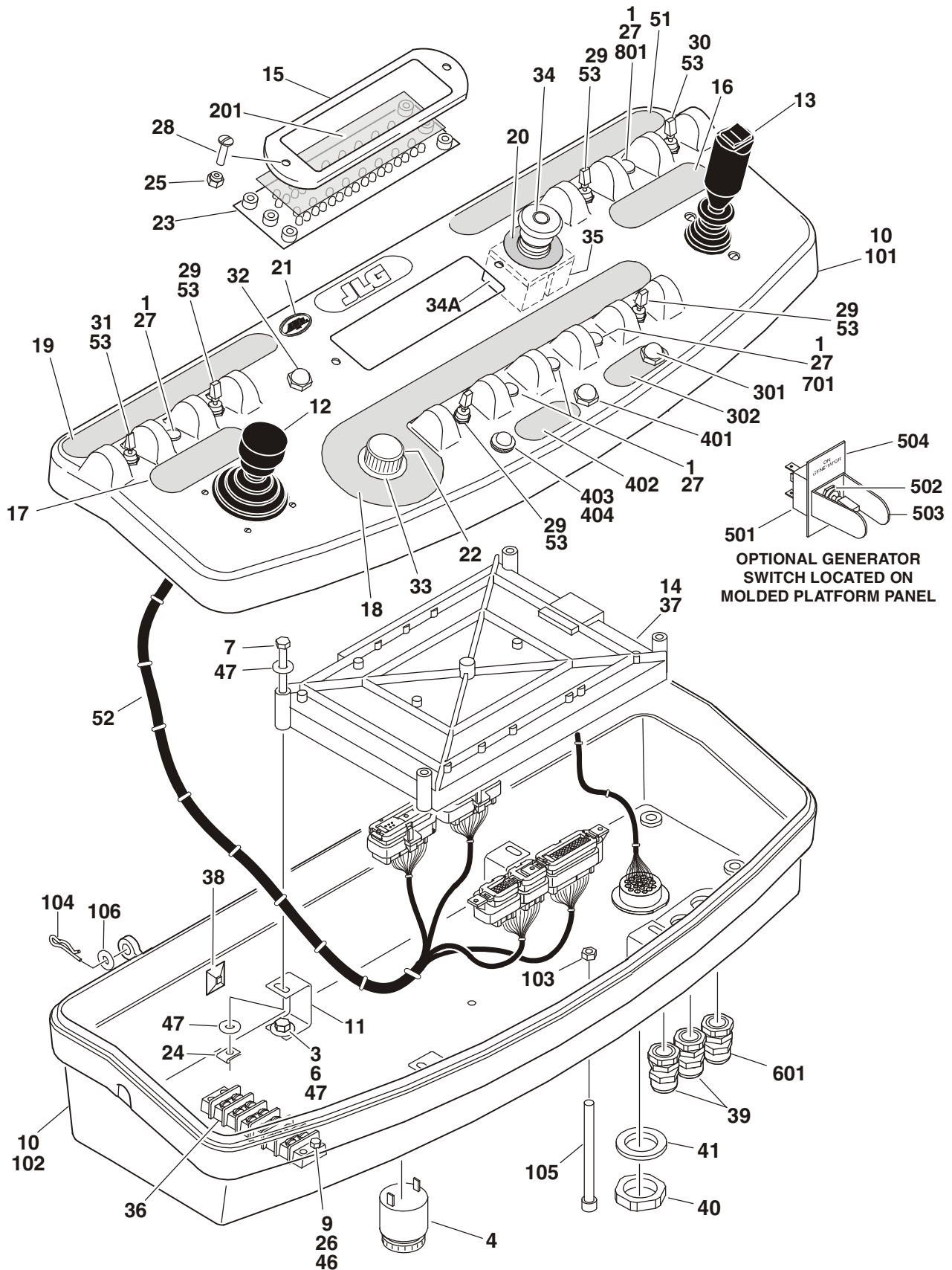
**FIGURE 4-2. PLATFORM COMPONENTS INSTALLATION (FALL ARREST PLATFORM)**

ITEM #	PART NUMBER	QTY.	DESCRIPTION	REV.
		Ref.	<b>PLATFORM ASSEMBLY (FALL ARREST) OPTIONS:</b>	
	3510884	Ref.	<b>PLATFORM ASSEMBLY (36 x 72)</b>	E
	3510868	Ref.	<b>PLATFORM ASSEMBLY (36 x 96)</b>	E
		Ref.	<b>Note: Replacement Decals Must be Ordered Separately - See Section 8.</b>	
1	0681814	2	Bolt 1/2in-13NC x 1-3/4in	
2	0681822	A/R	Bolt 1/2in-13NC x 2-3/4in	
3	0962270	2	Bearing, Oilite	
4	1702773	1	Decal - JLG	
5	1705014	1	Decal - Safety	
6	2410014	1	Gate Weldment	
7	3271805	A/R	Locknut 1/2in-13NC	
8	3311605	1	Locknut 3/8in-16NC	
9	See Note	1	Platform Weldment ( <b>Note: Not Available - Purchase Complete Platform Assembly.</b> )	
10	3520072	1	Cap-Plug	
11		1	Cable, Fall Arrest Options:	
	1060919		36 x 72	
	3890040		36 x 96	
12	3900054	1	Bolt 1/2in-13NC x 1-3/4in	
13	4711800	2	Flatwasher 1/2in (Narrow)	
14	4751800	A/R	Flatwasher 1/2in (Wide)	
15	1706385	1	Decal - Drop Bar	



# SECTION 4 PLATFORM

FIGURE 4-3. PLATFORM CONSOLE ASSEMBLY



## SECTION 4 PLATFORM

**FIGURE 4-3. PLATFORM CONSOLE ASSEMBLY**

ITEM #	PART NUMBER	QTY.	DESCRIPTION	REV.
		Ref.	<b>PLATFORM CONSOLE ASSEMBLIES</b>	
	1001114896	Ref.	<b>USA Built Machines S/N 0300140000 to S/N 0300161730 &amp; China Built Machines S/N 300000100 to S/N B300000640</b>	G
	1001141140	Ref.	<b>USA Built Machines S/N 0300161730 to Present &amp; China Built Machines S/N B300000640 to Present</b>	A
1	0100009	A/R	Sealant	
2	Not Used			
3	0100081	A/R	Loctite #454	
4	0140011	1	Alarm	
5	Not Used			
6	0641406	4	Bolt 1/4in-20NC x 3/4in	
7	0641414	4	Bolt 1/4in-20NC x 1-3/4in	
8	0721003	2	Bolt #10-24NC x 3/8in	
9	0721006	2	Screw #10-24NC x 3/4in	
10	0861441	1	Box, Console (See Items 101-106 for Breakdown)	
11	0902751	4	Bracket, Support	
12	Use 1001129555	1	Controller Assembly (Lift & Swing) (See Figure 4-4 for Breakdown) (was p/n 1600317 & p/n 1001118417) <b>(Note: Service Replacement Kit p/n 1001129555 Includes Controller p/n 1001118417 &amp; Instructions)</b>	
13	Use 1001118416	1	Controller Assembly (Drive & Steer) (See Figure 4-5 for Breakdown) (was p/n 1600318)	
14		1	Controller, Module Options (Re-calibration Required when Replaced):	
	1001110701		USA Built Machines S/N 0300140000 to S/N 0300161730 & China Built Machines S/N 300000100 to S/N B300000640	
	1001141138		USA Built Machines S/N 0300161730 to Present & China Built Machines S/N B300000640 to Present	
15	1671176	1	Bezel	
16	1702565	1	Decal (Drive and Steer)	
17	1702566	1	Decal (Lift and Swing)	
18	1702567	1	Decal (Function Speed)	
19	1702676	1	Decal (Horn)	
20	1704260	1	Decal - EMS	
21	1705132	1	Decal - Control ADE	
22	2560136	1	Handle, Knob	
23	2920154	1	Panel, LED Light	
24	3300353	4	Nut, Tinnermen	
25	3300408	2	Insert, Nylon	
26	3311005	2	Locknut #10-24NC	
27	3520054	5	Plug, Hole 1/2in (was p/n 3520028)	
28	3911018	2	Screw, Round Head #10	
29	4360328	4	Switch, Toggle	
30	4360330	1	Switch, Toggle	
31	4360331	1	Switch, Toggle	
32	4360387	1	Switch, Pushbutton	
33	4360407	1	Controller, Speed	
	See Note	1	Gasket "Top Hat" (Included With Switch) <b>(Note: Not Available - Purchase Complete Controller.)</b>	
	70003784	1	Seal	

## SECTION 4 PLATFORM

**FIGURE 4-3. PLATFORM CONSOLE ASSEMBLY (CONTINUED)**

ITEM #	PART NUMBER	QTY.	DESCRIPTION	REV.
34	4360475	1	Switch, Emergency Stop	
	7020175	1	Cap, Red	
34A	7020176	1	Contact Block	
35	4360476	1	Block, Contact	
36	4460007	1	Bar, Buss - Ground	
37	0100048	A/R	Grease, Dielectric	
38	4460234	3	Base, Mounting	
39	4460428	2	Connector, Strain Relief	
40	4460470	1	Nut, Terminal	
41	4460471	1	Lockwasher, Terminal	
42	4460496	1	Nut, Terminal (Not Shown - See Section 7 for Location)	
43	4460497	1	Lockwasher, Terminal (Not Shown - See Section 7 for Location)	
44	4460708	2	Connector, Female - 15 Position (Not Shown - See Section 7 for Location)	
45	4460905	5	Seal, Plug (Not Shown - See Section 7 for Location)	
46	4751000	2	Flatwasher #10 Wide	
47	4751400	8	Flatwasher 1/4in	
48	4761000	2	Lockwasher #10	
49	4922666	1	Harness, Analyzer Cable (Not Shown - See Section 7 for Breakdown)	
50		1	Harness, Upper Valve Options (Not Shown - See Section 7 for Breakdown):	
	4922749		USA Built Machines S/N 0300140000 to S/N 0300161730 & China Built Machines S/N 300000100 to S/N B300000640	
	1001141137		USA Built Machines S/N 0300161730 to Present & China Built Machines S/N B300000640 to Present	
51		1	Decal (Stop) Options:	
	1001107677		USA Built Machines S/N 0300140000 to S/N 0300150267 & China Built Machines S/N B300000100 to S/N B300000282	
	1001131168		USA Built Machines S/N 0300150267 to Present & China Built Machines S/N B300000282 to Present	
52		1	Harness, Platform Box Options (See Section 7 for Breakdown):	
	1001107796		USA Built Machines S/N 0300140000 to S/N 0300161730 & China Built Machines S/N 300000100 to S/N B300000640	
	1001141136		USA Built Machines S/N 0300161730 to Present & China Built Machines S/N B300000640 to Present	
53	3790012	A/R	O-Ring	
		1	Decal Kit - Console Box Options:	
	1001119564		ANSI Spec (Includes Items #16 - 20, 51 & 201)	
	See Note		CE Specs ( <b>Note: Not Available for Purchase.</b> )	
	0861441	Ref.	<b>CONSOLE BOX ASSEMBLY</b>	F
101	See Note	1	Console Top ( <b>Note: Not Available for Purchase.</b> )	
102	See Note	1	Console Bottom ( <b>Note: Not Available for Purchase.</b> )	
103	3311601	1	Nut 3/8in-16NC	
104	3470003	2	Pin, Hairpin	
105	0630568	1	Screw 3/8in-16NC x 4-1/2in	
106	4711500	2	Flatwasher 5/16in	

## SECTION 4 PLATFORM

**FIGURE 4-3. PLATFORM CONSOLE ASSEMBLY (CONTINUED)**

ITEM #	PART NUMBER	QTY.	DESCRIPTION	REV.
		Ref.	<b>LIGHT PANEL DECAL INSTALLATION</b>	
		Ref.	<b>USA Built Machines S/N 0300140000 to S/N 0300143294 Only &amp; China Built Machines B300000100 to S/N B300000153 Only</b>	
		Ref.	<b>800S</b>	
	1001108993	Ref.	<b>All Specs Except CE Spec</b>	A
	1001108992	Ref.	<b>CE Spec Only</b>	A
		Ref.	<b>860SJ</b>	
	1001108991	Ref.	<b>All Specs Except CE Spec</b>	A
	1001108992	Ref.	<b>CE Spec Only</b>	A
		Ref.	<b>USA Built Machines S/N 0300143294 to Present Only &amp; China Built Machines S/N B300000153 to Present Only</b>	
		Ref.	<b>800S</b>	
	1001125008	Ref.	<b>All Specs Except Australian &amp; CE Specs</b>	A
		Ref.	<b>Australian Spec Only Options:</b>	
	1001108993	Ref.	<b>USA Built Machines S/N 0300143294 to S/N 0300147421 Only &amp; China Built Machines S/N B300000153 to S/N B300000280 Only</b>	A
	1001108992	Ref.	<b>USA Built Machines S/N 0300147421 to Present Only &amp; China Built Machines S/N B300000280 to Present Only</b>	A
	1001108992	Ref.	<b>CE Spec Only</b>	A
		Ref.	<b>860SJ</b>	
	1001125009	Ref.	<b>All Specs Except Australian &amp; CE Specs</b>	A
		Ref.	<b>Australian Spec Only Options:</b>	
	1001108991	Ref.	<b>USA Built Machines S/N 0300143294 to S/N 0300147421 Only &amp; China Built Machines S/N B300000153 to S/N B300000280 Only</b>	A
	1001108992	Ref.	<b>USA Built Machines S/N 0300147421 to Present Only &amp; China Built Machines S/N B300000280 to Present Only</b>	A
	1001108992	Ref.	<b>CE Spec Only</b>	A
201		1	Decal - Display	
		Ref.	<b>USA Built Machines S/N 0300140000 to S/N 0300143294 Only &amp; China Built Machines S/N B300000100 to S/N B300000153 Only</b>	
	1001107954		<b>800S - All Specs Except CE Spec</b>	
	1001107952		<b>800S - CE Spec Only</b>	
	1001107953		<b>860SJ - All Specs Except CE Spec</b>	
	1001107952		<b>860SJ - CE Spec Only</b>	
		Ref.	<b>USA Built Machines S/N 0300143294 to Present Only &amp; China Built Machines S/N B300000153 to Present Only</b>	
	1001125010		<b>800S - All Specs Except Australian &amp; CE Specs</b>	
			<b>800S - Australian Spec Only Options:</b>	
	1001107954		<b>USA Built Machines S/N 0300143294 to S/N 0300147421 Only &amp; China Built Machines S/N B300000153 to S/N B300000280 Only</b>	
	1001107952		<b>USA Built Machines S/N 0300147421 to Present Only &amp; China Built Machines S/N B300000280 to Present Only</b>	
	1001107952		<b>800S - CE Spec Only</b>	
	1001125011		<b>860SJ - All Specs Except Australian &amp; CE Specs</b>	

## SECTION 4 PLATFORM

**FIGURE 4-3. PLATFORM CONSOLE ASSEMBLY (CONTINUED)**

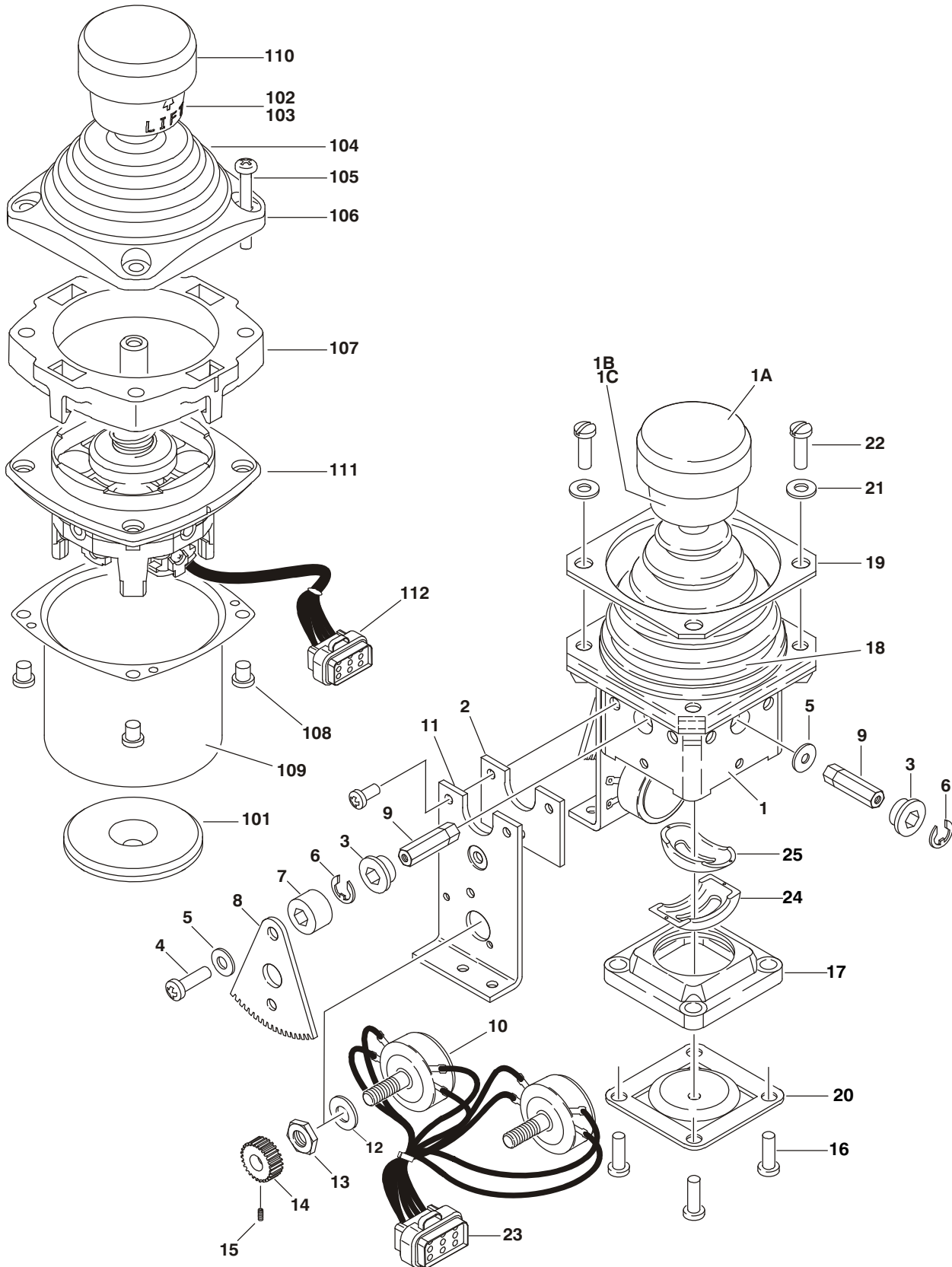
ITEM #	PART NUMBER	QTY.	DESCRIPTION	REV.
201 cont'd	1001107953		860SJ - Australian Spec Only Options: USA Built Machines S/N 0300143294 to S/N 0300147421 Only & China Built Machines S/N B300000153 to S/N B300000280 Only	
	1001107952		USA Built Machines S/N 0300147421 to Present Only & China Built Machines S/N B300000280 to Present Only	
	1001107952		860SJ - CE Spec Only	
	0271552	Ref.	<b>HEAD &amp; TAIL LIGHTS INSTALLATION (OPTIONAL)</b>	C
301	4360522	1	Switch, Push Button	
302	1705170	1	Decal - Lights	
		Ref.	<b>SOFT TOUCH SYSTEM INSTALLATION (OPTIONAL)</b>	
401	4360387	1	Switch, Pushbutton	
402	1702938	1	Decal - Soft Touch Override	
403	2920028	1	Light, Indicator	
404	2920029	1	Bulb, Light	
		Ref.	<b>GENERATOR INSTALLATION (OPTIONAL)</b>	
501	4360336	1	Switch, Toggle	
502	4740397	1	Bushing	
503	4060802	1	Guard, Switch	
504	3251102	1	Decal - Generator ON/OFF	
		Ref.	<b>PLATFORM WORKLIGHT INSTALLATION (OPTIONAL)</b>	
601	4460426	1	Connector, Strain Relief	
	0258608	Ref.	<b>JIB SWITCH INSTALLATION (860SJ ONLY)</b>	B
701	4360328	1	Switch, Toggle	
		Ref.	<b>DUAL FUEL SWITCH INSTALLATION</b>	
801	4360336	1	Switch, Toggle	
	3790012	1	O-Ring	

**FIGURE 4-3. PLATFORM CONSOLE ASSEMBLY (CONTINUED)**

ITEM #	PART NUMBER	QTY.	DESCRIPTION	REV.

# SECTION 4 PLATFORM

## FIGURE 4-4. CONTROLLER ASSEMBLY (LIFT AND SWING)



## SECTION 4 PLATFORM

**FIGURE 4-4. CONTROLLER ASSEMBLY (LIFT AND SWING)**

ITEM #	PART NUMBER	QTY.	DESCRIPTION	REV.
		Ref.	<b>Note: Original Equipment controller may have been replaced with Service Replacement controller. Visually identify controller before ordering parts.</b>	
		Ref.	<b>CONTROLLER ASSEMBLY</b>	
	1600317	Ref.	<b>Controller Assembly (Original Equipment) (USA Built Machines S/N 0300140000 to S/N 0300146306 &amp; China Built Machines S/N B300000100 to S/N B300000277)</b>	C
1	7019141	1	Mechanical Assembly (Includes Base, Handle Stem & Items 1A, 1B, 1C & 18)	
1A	7019197	1	Handle Cap & Rod	
1B	7003928	1	Spring	
1C	7022808	1	Cap, Lift	
2	7019171	2	Plate	
3	7019111	4	Bearing, Gear	
4	7019143	2	Screw	
5	7019144	2	Spacer, Cam	
6	7019145	4	E-Clip	
7	7019174	2	Spacer	
8	7003977	2	Gear, Drive	
9		2	Shaft Options:	
	7019147		Shaft, Short	
	7019177		Shaft, Long	
10	7022818	2	Potentiometer	
11	7019142	2	Plate	
12	7003992	2	Washer	
13	7003993	2	Nut	
14	7003976	2	Gear, Slave	
15	7019149	2	Setscrew	
16	7022816	4	Screw	
17	7019150	1	Gate	
18	7022814	1	Boot	
19	7022815	1	Bezel	
20	See Note	1	Center, Detent ( <b>Note: Not Available for Purchase.</b> )	
21	7003953	4	Washer	
22	7022817	4	Screw	
23	7022819	1	Plug, Male 8 Position (Natural)	
	4460871	8	Socket, Female	
24	7019122	1	Gimble, Outer	
25	7019123	1	Gimble, Inner	
	Use 1001129555	Ref.	<b>Controller Assembly:</b> <b>(Service Replacement - USA Built Machines S/N 0300140000 to S/N 0300146306 &amp; China Built Machines S/N B300000100 to S/N B300000277)</b> <b>(Original Equipment - USA Built Machines S/N 0300146306 to Present &amp; China Built Machines S/N B300000277 to Present)</b>	C
		Ref.	<b>Note: Was p/n 1001118417 Assembly - Use p/n 1001129555 Kit as replacement.</b>	
101	70002730	1	Gasket	



## SECTION 4 PLATFORM

**FIGURE 4-4. CONTROLLER ASSEMBLY (LIFT AND SWING) (CONTINUED)**

ITEM #	PART NUMBER	QTY.	DESCRIPTION	REV.
102	7003928	1	Spring	
103	7022808	1	Cap, Lift	
104	70002731	1	Boot	
105	70002732	4	Screw	
106	7022815	1	Bezel	
107	70002733	1	Adapter	
108	70002734	4	Screw	
109	70002735	1	Can, Enclosure	
110	70002906	1	Cap	
111	Use 1001129555	1	Mechanical Assembly ( <b>Note: Not Available for Purchase.</b> )	
112	7022819	1	Plug, Male 8 Position (Natural) (Not Shown)	
	4460871	6	Socket, Female	

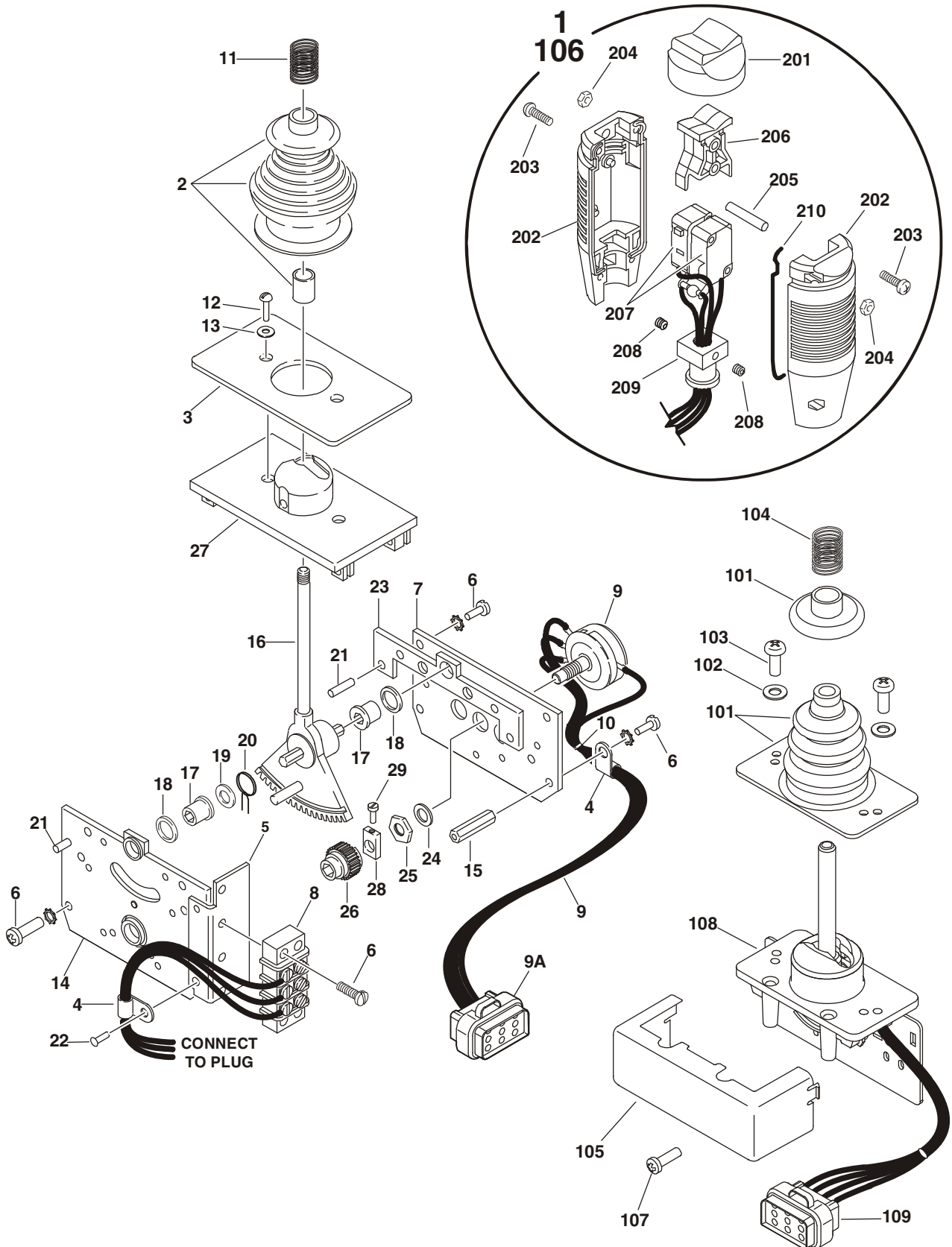
**SECTION 4 PLATFORM**

**FIGURE 4-4. CONTROLLER ASSEMBLY (LIFT AND SWING) (CONTINUED)**

ITEM #	PART NUMBER	QTY.	DESCRIPTION	REV.

# SECTION 4 PLATFORM

FIGURE 4-5. CONTROLLER ASSEMBLY (DRIVE AND STEER)



## SECTION 4 PLATFORM

**FIGURE 4-5. CONTROLLER ASSEMBLY (DRIVE AND STEER)**

ITEM #	PART NUMBER	QTY.	DESCRIPTION	REV.
		Ref.	<b>Note: Original Equipment controller may have been replaced with Service Replacement controller. Visually identify controller before ordering parts.</b>	
		Ref.	<b>CONTROLLER ASSEMBLY</b>	
	1600318	Ref.	<b>Controller Assembly (Original Equipment) (USA Built Machines S/N 0300140000 to S/N 0300146306 &amp; China Built Machines S/N B300000100 to S/N B300000277)</b>	C
1	7022812	1	Handle Assembly (See Items 201-210 for Breakdown)	
2	7019161	1	Boot and Sleeve	
3	7003933	1	Gasket	
4	7019154	2	Clamp, Wire	
5	7022823	1	Bracket, Mounting	
6	7003994	1	Screw	
7	7022822	1	Plate, Pot Mounting	
8	7003986	1	Strip, Terminal - 3 Position	
9	7022824	1	Electric Assembly	
9A	Use 1001113961	1	Plug, Male - 8 Position (Black) (was p/n 7022825)	
	4460871	7	Socket, Female	
10	7019151	A/R	Tie-Strap	
11	7019162	1	Spring	
12	7003969	2	Screw	
13	7003941	2	Washer	
14	See Note	1	Plate, Mounting (Left Side) <b>(Note: Not Available for Purchase.)</b>	
15	7019115	2	Stand-Off	
16	7019155	1	Shaft 8mm	
17	7019111	2	Bearing	
18	7019110	2	Spacer, Head Gear	
19	7019112	1	Washer	
20	7003946	1	Spring, Return	
21	7019103	4	Pin	
22	See Note	1	Rivet <b>(Note: Not Available - Purchase Locally.)</b>	
23	7019168	1	Plate, Mounting (Right Side)	
24	7003992	1	Washer	
25	7003993	1	Nut	
26	7003935	1	Gear, Slave	
27	7019160	1	Plate, Base	
28	7019114	1	Coupling, Potentiometer	
29	See Note	1	Capscrew <b>(Note: Not Available for Purchase.)</b>	
	1001118416	Ref.	<b>Controller Assembly: (Service Replacement - USA Built Machines S/N 0300140000 to S/N 0300146306 &amp; China Built Machines S/N B300000100 to S/N B300000277) (Original Equipment - USA Built Machines S/N 0300146306 to Present &amp; China Built Machines S/N B300000277 to Present)</b>	B
101	70002724	1	Boot & Control Lock Assembly	
102	7003941	2	Washer	

## SECTION 4 PLATFORM

**FIGURE 4-5. CONTROLLER ASSEMBLY (DRIVE AND STEER) (CONTINUED)**

ITEM #	PART NUMBER	QTY.	DESCRIPTION	REV.
103	70002725	2	Screw	
104	7019162	1	Spring	
105	70002726	1	Enclosure	
106	70002727	1	Handle Assembly (See Items 201-210 for Breakdown)	
107	70002728	1	Screw	
108	Use 1001118416	1	Mechanical Assembly ( <b>Note: Not Available for Purchase.</b> )	
109	Use 1001113961	1	Plug, Male - 8 Position (Black) (was p/n 7022825)	
	4460871	7	Socket, Female	
		Ref.	<b>HANDLE ASSEMBLIES</b>	
	7022812	Ref.	<b>Controller Assembly p/n 1600318</b>	
	70002727	Ref.	<b>Controller Assembly p/n 1001118416</b>	
201	7003972	1	Boot, Switch	
202	7003973	2	Half, Handle	
203	7003980	4	Screw	
204	7019167	4	Nut	
205	7019164	1	Axle	
206	7019165	1	Rocker	
207		1	Wiring Assembly Options:	
	7019196		Controller Assembly p/n 1600318	
	70002729		Controller Assembly p/n 1001118416	
		2	Switch, Micro	
	7019166		Controller Assembly p/n 1600318	
	7003982		Controller Assembly p/n 1001118416	
208	7003983	2	Setscrew	
209	7019194	1	Coupling	
210	7003989	2	Gasket	

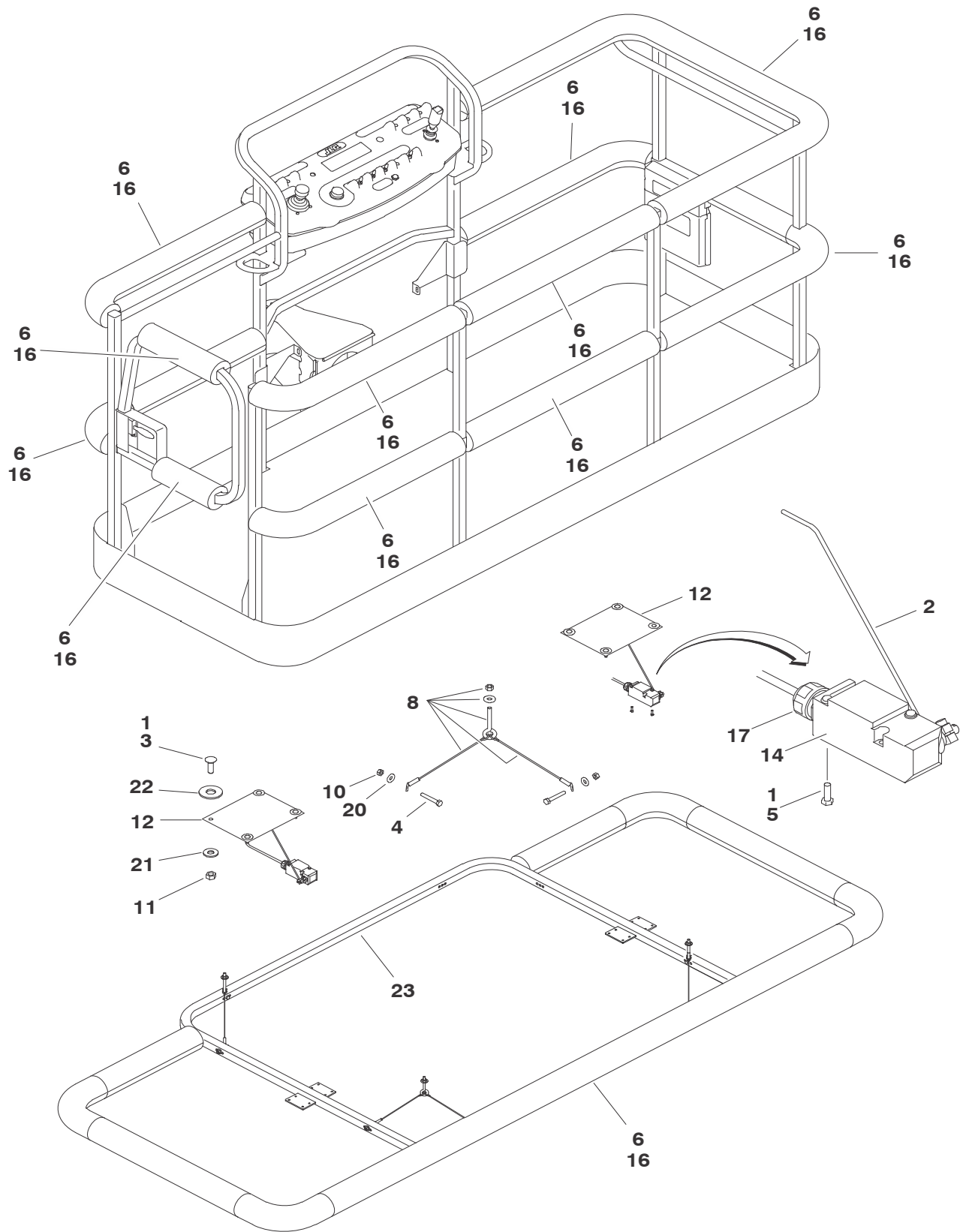
# SECTION 4 PLATFORM

## FIGURE 4-5. CONTROLLER ASSEMBLY (DRIVE AND STEER) (CONTINUED)

ITEM #	PART NUMBER	QTY.	DESCRIPTION	REV.

# SECTION 4 PLATFORM

## FIGURE 4-6. SOFT TOUCH SYSTEM INSTALLATION (OPTIONAL)



## SECTION 4 PLATFORM

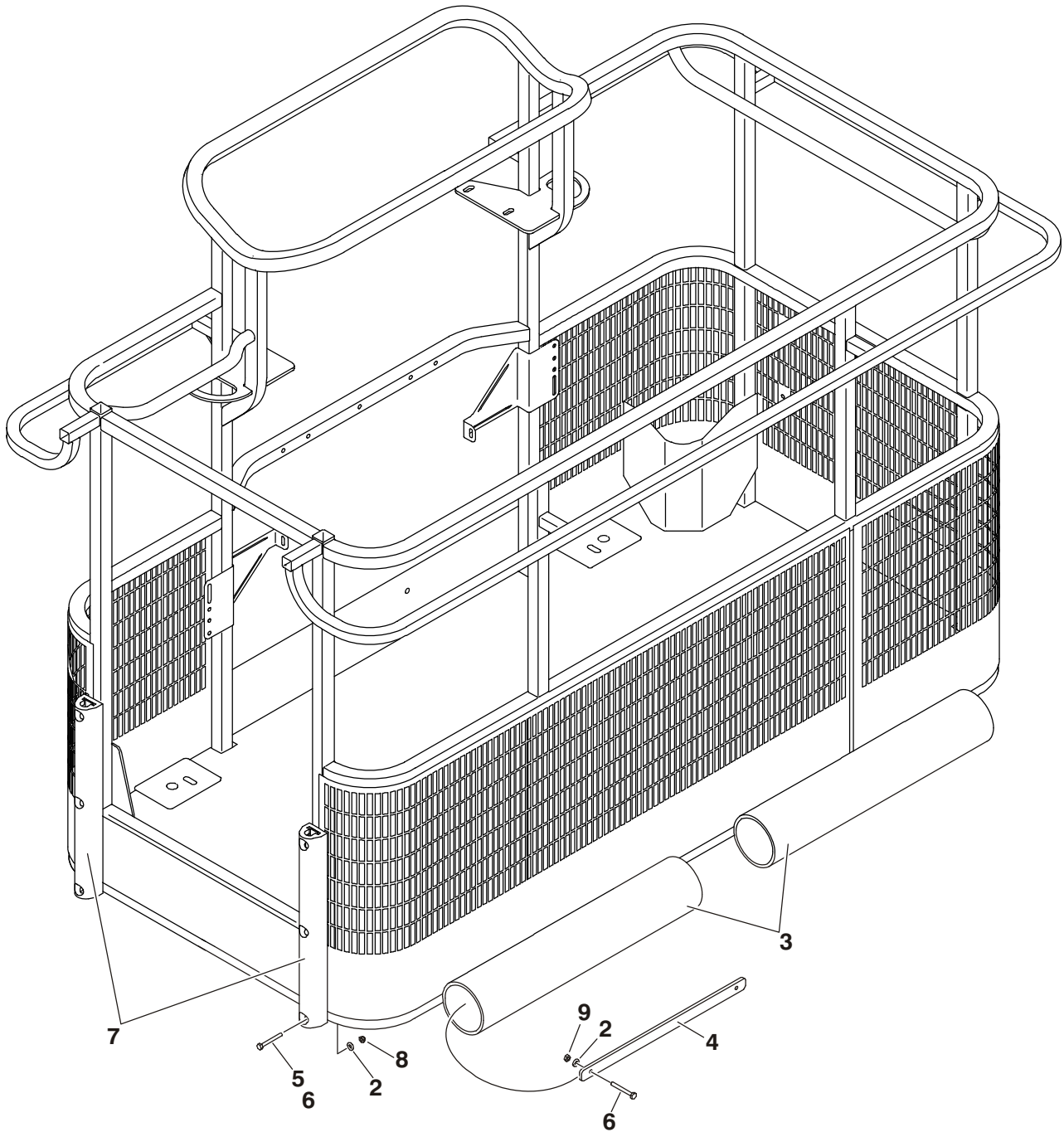
**FIGURE 4-6. SOFT TOUCH SYSTEM INSTALLATION (OPTIONAL)**

ITEM #	PART NUMBER	QTY.	DESCRIPTION	REV.
		Ref.	<b>SOFT TOUCH SYSTEM INSTALLATIONS</b>	
	0273824	Ref.	<b>6ft Platforms</b>	B
	0272427	Ref.	<b>8ft Platforms</b>	E
	1001108256	Ref.	<b>6ft/1.8m Platforms w/Fall Arrest</b>	A
	0273706	Ref.	<b>8ft/2.4m Platforms w/Fall Arrest</b>	B
1	0100011	A/R	Compound, Locking	
2	0200048	2	Arm, Switch	
3	0630462	8	Bolt, Carriage	
4	0641414	8	Bolt 1/4in-20NC x 1-3/4in	
5	0721005	4	Bolt #10-24NC x 5/8in	
6		1	Bumper Kits (Includes Corners and Enough Straight Material for One Platform)	
	0940134		6ft Platform	
	0940103		8ft Platform	
	0940177		6ft/1.8m Platforms w/Fall Arrest	
	0940133		8ft/2.4m Platforms w/Fall Arrest	
	0940092		Bumper (Corner) Options:	
		12	Standard Platform	
		8	Fall Arrest Platforms	
	0940094	A/R	Bumper (12ft Length)	
7	1060341		Cable, Electrical - 16/2 Options:	
		22ft/6.7m	6ft Platform	
		23ft/7m	8ft Platform	
8	1060903	4	Wire Rope & Eyebolt Assembly	
9	1702938	1	Decal - Soft Touch Override	
10	3311401	8	Nut 1/4in-20NC	
11	3311501	8	Nut 5/16in-18NC	
12		2	Plate, Switch Strike Options:	
	3575359		6ft Platform	
	3574091		8ft Platform	
13	4240099	7	Tie-Strap	
14	4360057	2	Switch, Limit	
15	4360387	1	Switch, Push Button	
16	4420068	A/R	Tape, Adhesive	
17	4460049	2	Connector, Strain Relief	
18	4460234	7	Tie-Strap	
19	4460425	1	Connector, Strain Relief	
20	4751400	8	Flatwasher 1/4in	
21	4751500	A/R	Flatwasher 5/16in	
22	4751800	8	Flatwasher 1/2in	
23		1	Rail, Soft Touch Options:	
	3641569		6ft Platform	
	4846673		8ft Platform	
24	Not Used			
25	2920028	1	Light, Indicator	
26	2920028	1	Bulb, Light	



## SECTION 4 PLATFORM

FIGURE 4-7. PLATFORM BUMPER PADDING INSTALLATION (OPTIONAL)



## SECTION 4 PLATFORM

**FIGURE 4-7. PLATFORM BUMPER PADDING INSTALLATION (OPTIONAL)**

ITEM #	PART NUMBER	QTY.	DESCRIPTION	REV.
	1001110982	Ref.	<b>BUMPER INSTALLATION</b>	D
1	Not Used			
2	4711400	10	Flatwasher 1/4in Thin	
3	1001110979	3	Bumper	
4	1001110980	3	Clamp, Bumper	
5	0100011	A/R	Compound, Locking	
6	0641418	10	Bolt 1/4in-20NC x 2-1/4in	
7	0940159	2	Bumper	
8	3300430	4	Nut, Acorn 1/4in-20NC	
9	3311405	6	Locknut 1/4in-20NC	

## SECTION 4 PLATFORM

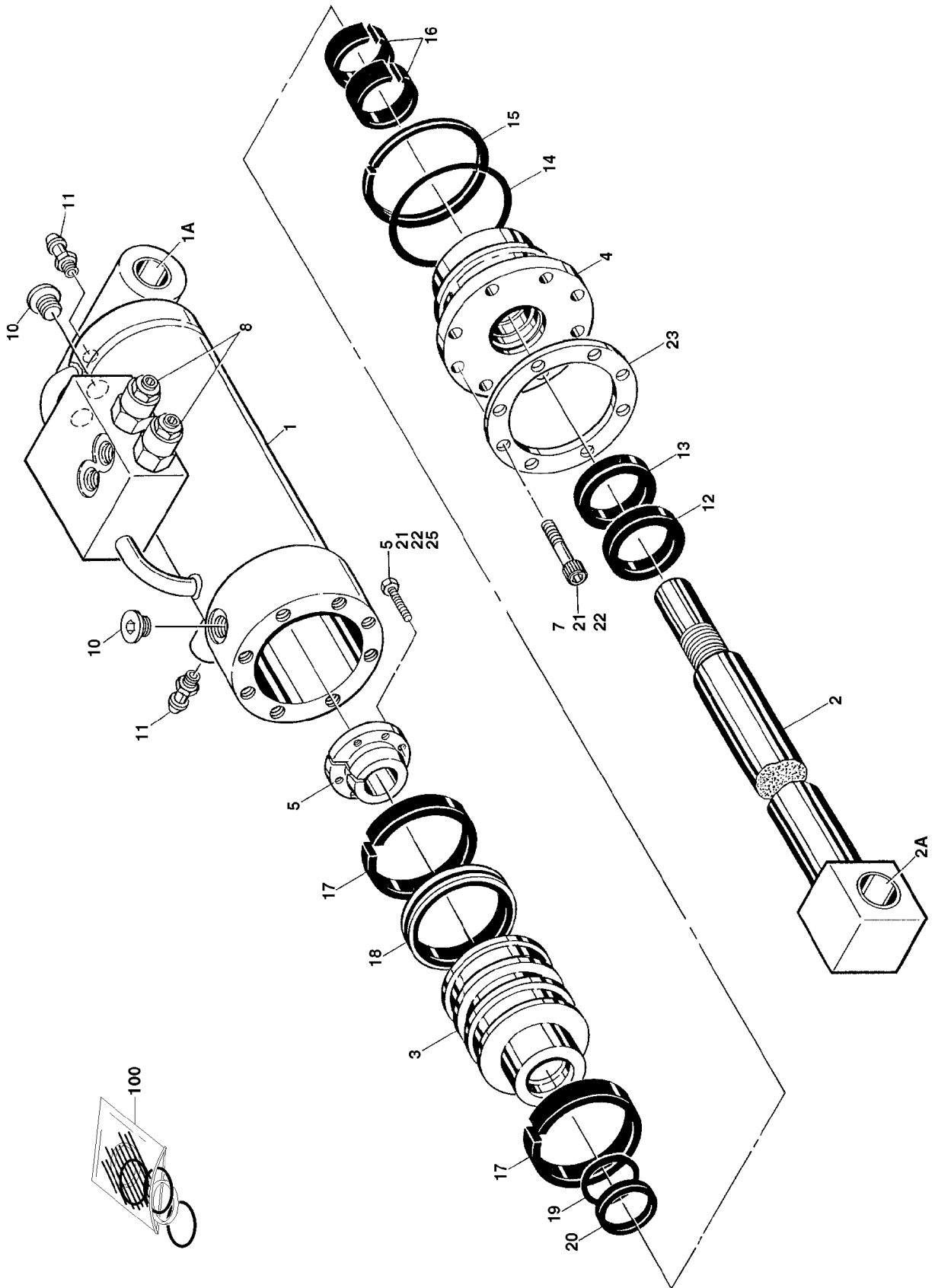
FIGURE 4-7. PLATFORM BUMPER PADDING INSTALLATION (OPTIONAL) (CONTINUED)

ITEM #	PART NUMBER	QTY.	DESCRIPTION	REV.

# **SECTION 5 CYLINDER**

# SECTION 5 CYLINDER

## FIGURE 5-1. AXLE LOCKOUT CYLINDER ASSEMBLY



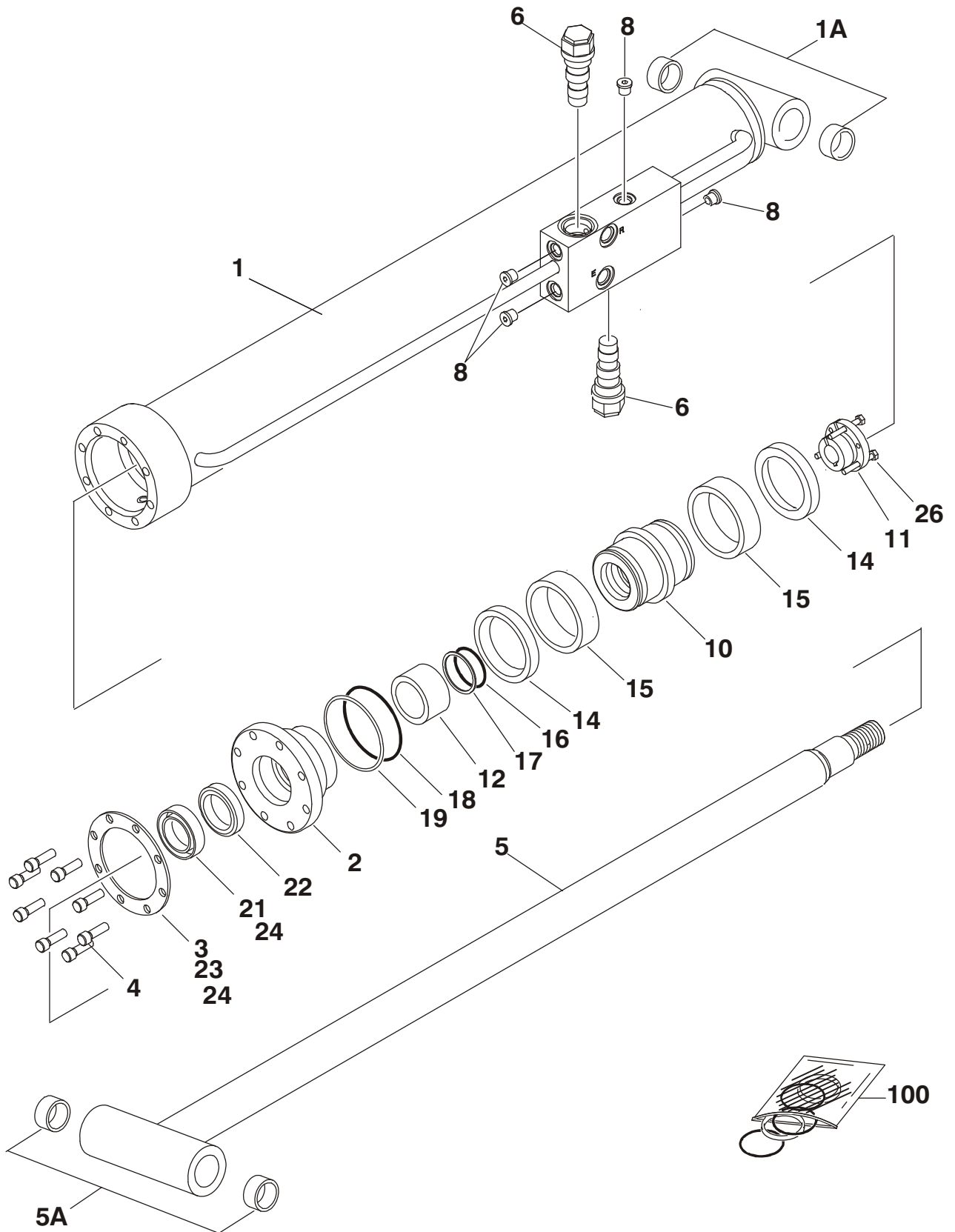
## SECTION 5 CYLINDER

**FIGURE 5-1. AXLE LOCKOUT CYLINDER ASSEMBLY**

ITEM #	PART NUMBER	QTY.	DESCRIPTION	REV.
	1683078	Ref	<b>AXLE LOCKOUT CYLINDER ASSEMBLY</b>	N
1	1684191	1	Barrel Weldment ( <b>Note: Includes Item 1A</b> )	
1A	0962496	2	Bushing	
2	1683986	1	Rod Weldment ( <b>Note: Includes Item 2A</b> )	
2A	0962496	2	Bushing	
3	3480176	1	Piston	
4	1683059	1	Head	
5	0961895	1	Bushing	
6	Not Used			
7	3931720	8	Bolt, Socket Head 7/16in-14NC x 1-1/4in	
8	4641162	2	Cartridge, Valve (Counterbalance)	
	2900770	2	Seal Kit - 4641162 Valve (1 Per Assembly)	
9	2220886	1	Plug, O-Ring	
10	2220885	2	Plug, O-Ring	
11	4640858	3	Valve, Bleeder	
12	Use 2901271	1	Wiper	
13	Use 2901271	1	Seal, Rod	
14	Use 2901271	1	O-Ring	
15	Use 2901271	1	Ring, Back-up	
16	Use 2901271	1	Ring, Wear	
17	Use 2901271	2	Ring, Wear	
18	Use 2901271	1	T-Seal	
19	Use 2901271	1	O-Ring	
20	Use 2901271	2	Ring, Back-up	
21	0100011	A/R	Compound, Locking	
22	0100038	A/R	Primer, Locking	
23	3760367	1	Ring, Washer	
24	Not Used			
25	0630535	3	Bolt 1/4in-20NC x 1-1/8in	
100	2901271	1	----- Seal Kit (Includes Items 12-20)	

# SECTION 5 CYLINDER

FIGURE 5-2. LIFT CYLINDER ASSEMBLY - JIB (860SJ ONLY)



## SECTION 5 CYLINDER

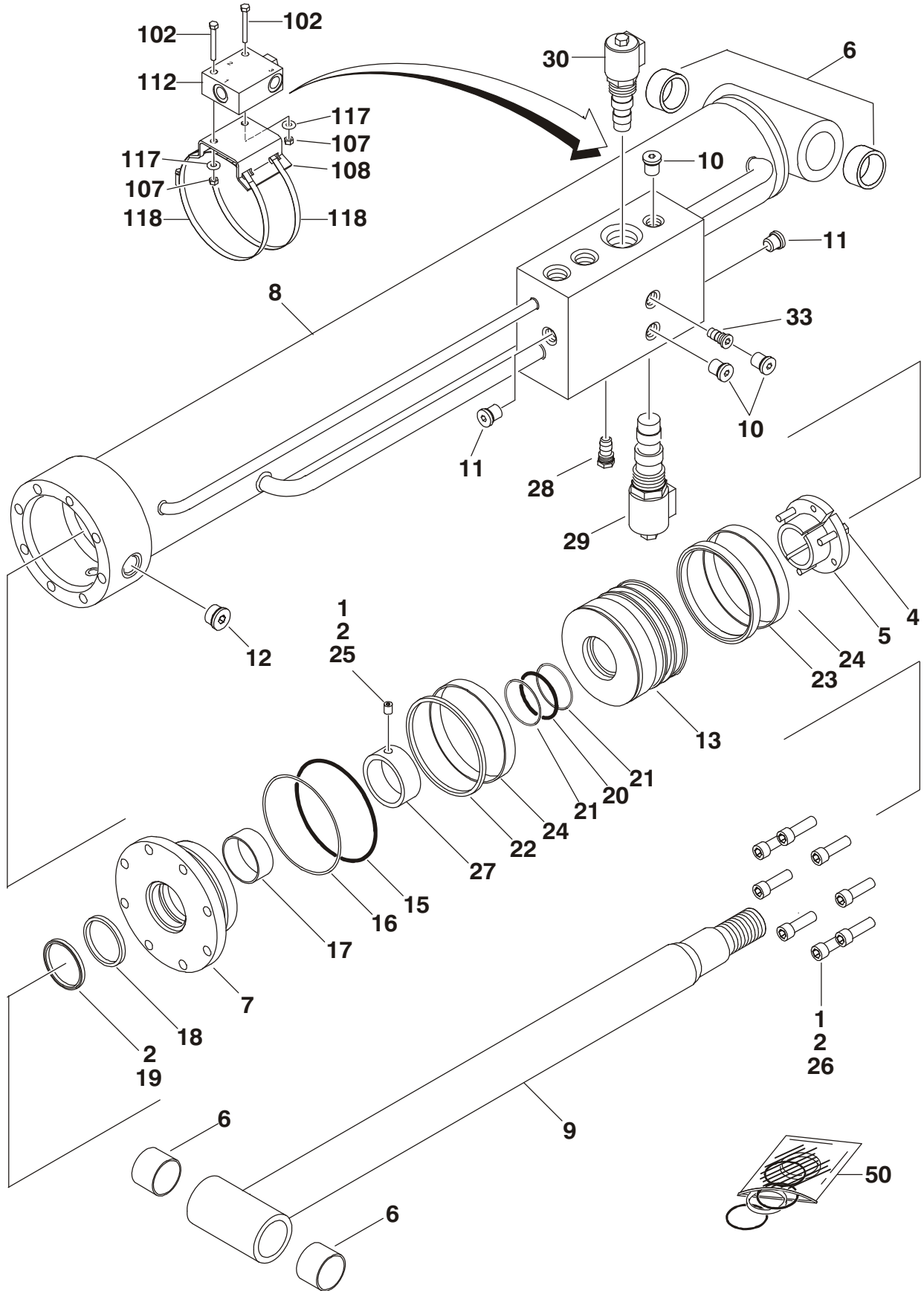
**FIGURE 5-2. LIFT CYLINDER ASSEMBLY - JIB (860SJ ONLY)**

ITEM #	PART NUMBER	QTY.	DESCRIPTION	REV.
	1683609	Ref	<b>JIB LIFT CYLINDER ASSEMBLY</b>	I
1	1684089	1	Barrel Weldment ( <b>Note: Includes Item 1A</b> )	
1A	0962336	2	Bushing	
2	1683053	1	Head	
3	3760368	1	Washer, Ring	
4	3931516	8	Bolt, Socket Head 5/16in-18NC x 2in	
5	1684090	1	Rod Weldment ( <b>Note: Includes Item 5A</b> )	
5A	0962336	2	Bushing	
6	4640509	2	Cartridge, Valve (Counterbalance Non-Vented)	
	2900792	2	Seal Kit - 4640509 Valve	
7	Not Used			
8	2220883	4	Plug, O-Ring	
9	2220885	1	Plug, O-Ring	
10	3480210	1	Piston	
11	0961893	1	Bushing, Tapered	
12	4100100	1	Spacer, Tube	
13	Not Used			
14	Use 2901303	2	Ring, Lock	
15	Use 2901303	2	Seal, Piston	
16	Use 2901303	1	O-Ring	
17	Use 2901303	2	Ring, Back-up	
18	Use 2901303	1	O-Ring	
19	Use 2901303	1	Ring, Back-up	
20	Use 2901303	1	Seal	
21	Use 2901303	1	Wiper	
22	Use 2901303	1	Ring, Wear	
23	0100011	A/R	Compound, Locking	
24	0100038	A/R	Primer, Locking	
25	Not Used			
26	0630534	3	Capscrew, Socket Head #10-24NC x 1in	
100	2901303	1	----- Seal Kit (Includes Items 14-22)	



# SECTION 5 CYLINDER

## FIGURE 5-3. LIFT CYLINDER ASSEMBLY - MAIN BOOM



## SECTION 5 CYLINDER

**FIGURE 5-3. LIFT CYLINDER ASSEMBLY - MAIN BOOM**

ITEM #	PART NUMBER	QTY.	DESCRIPTION	REV.
		Ref.	<b>MAIN LIFT CYLINDER ASSEMBLY</b>	
	1684199	Ref.	<b>800S</b>	E
	1684202	Ref.	<b>860SJ</b>	F
1	0100011	A/R	Compound, Locking	
2	0100038	A/R	Primer, Locking	
3	Not Used			
4	0630536	3	Bolt	
5	0961898	1	Bushing, Tapered	
6	0962033	4	Bushing	
7	1683818	1	Head	
8	1684198	1	Barrel Weldment	
9		1	Rod Weldment Options:	
	1684080		1684199 Cylinder	
	1684123		1684202 Cylinder	
10	2220883	5	Plug, O-Ring	
11	2220885	2	Plug, O-Ring	
12	2220888	1	Plug, O-Ring	
13	3480275	1	Piston	
14	Not Used			
15	Use 2901537	1	O-Ring	
16	Use 2901537	1	Ring, Back-up	
17	Use 2901537	1	Ring, Wear	
18	Use 2901537	1	Seal, Rod	
19	Use 2901537	1	Wiper	
20	Use 2901537	1	O-Ring	
21	Use 2901537	2	Ring, Back-up	
22	Use 2901537	1	Ring, Guidelock	
23	Use 2901537	A/R	Seal	
24	Use 2901537	A/R	Ring, Guidelock	
25	3900310	1	Setscrew	
26	3932240	6	Capscrew 3/4in-10NC x 2-1/2in	
27		1	Spacer, Tube Options:	
	4568240		1684199 Cylinder	
	4568273		1684202 Cylinder	
28	4641144	1	Cartridge, Restrictor/Check Valve	
	7012967	1	Seal Kit - 4641144 Valve	
29	4641234	1	Cartridge, Lift Dump Proportional Solenoid	
	7023982	1	Cartridge - 4641234 Valve	
	7012925	1	Seal Kit - 4641234 Valve	
	7017451	1	Coil - 4641234 Valve	
30	4641188	1	Cartridge, Lift Holding Solenoid	
	7023923	1	Cartridge - 4641188 Valve	
	7023919	1	Seal Kit - 4641188 Valve	
	7012943	1	Coil - 4641188 Valve	
31 to 32	Not Used			
33	4641194	1	Cartridge, Relief Valve	
	7023927	1	Seal Kit - 4641194 Valve	
34 to 49	Not Used			

# SECTION 5 CYLINDER

**FIGURE 5-3. LIFT CYLINDER ASSEMBLY - MAIN BOOM (CONTINUED)**

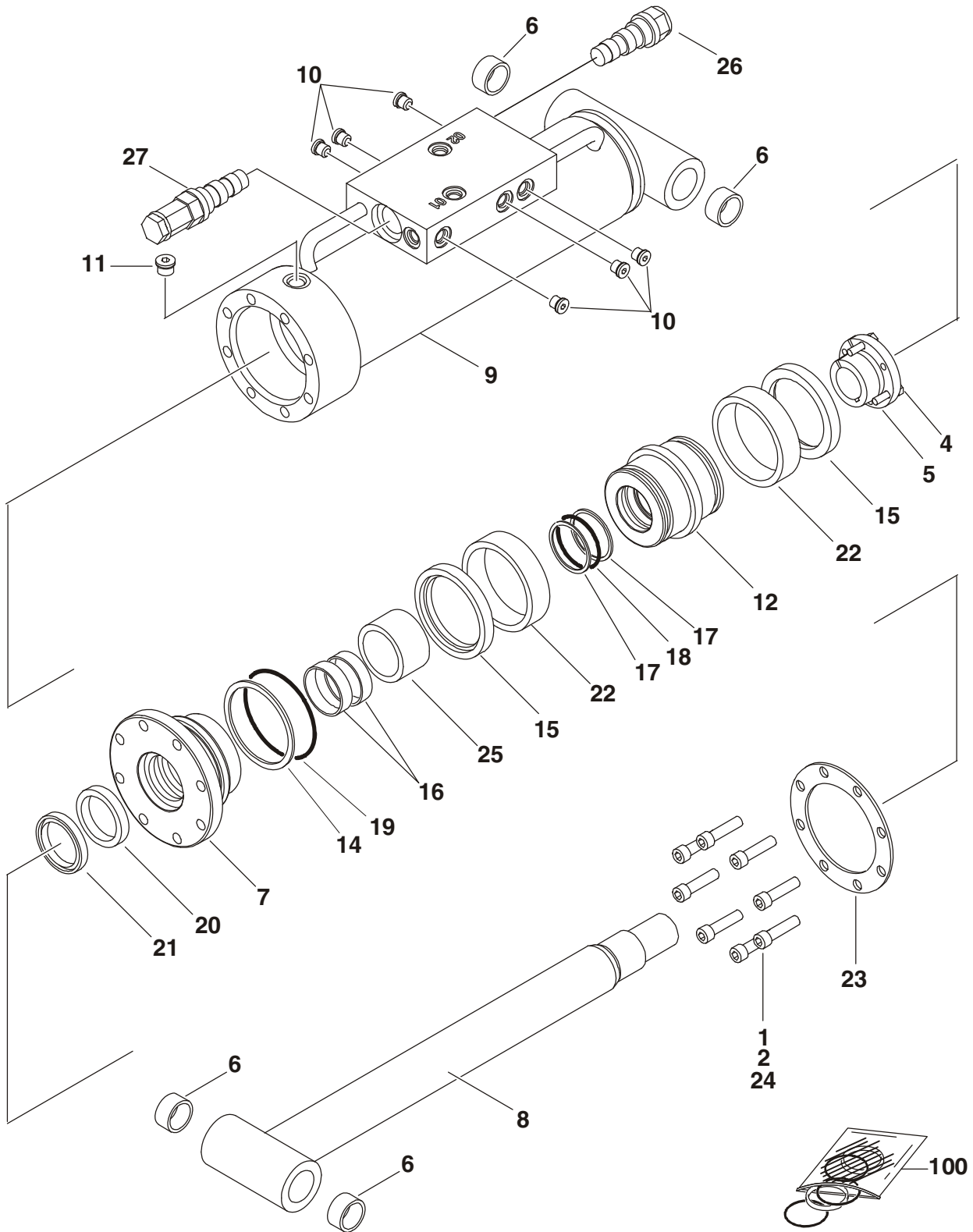
ITEM #	PART NUMBER	QTY.	DESCRIPTION	REV.
50	2901537	1	----- Seal Kit (Includes Items 15-24)	
	0272750	Ref.	<b>MANUAL DESCENT INSTALLATION (OPTIONAL)</b>	A
101	Not Used			
102	0641514	2	Bolt 5/16in-18NC x 1-3/4in	
103 to 106	Not Used			
107	3311505	2	Locknut 5/16in-18NC	
108	3574172	1	Plate, Valve Mounting	
109 to 111	Not Used			
112	4640673	1	Valve, Check	
	7011325	1	Cartridge, Valve Check	
113 to 116	Not Used			
117	4751500	2	Flatwasher 5/16in (Wide)	
118	1320315	2	Clamp	

**FIGURE 5-3. LIFT CYLINDER ASSEMBLY - MAIN BOOM (CONTINUED)**

ITEM #	PART NUMBER	QTY.	DESCRIPTION	REV.

# SECTION 5 CYLINDER

## FIGURE 5-4. PLATFORM LEVEL CYLINDER ASSEMBLY



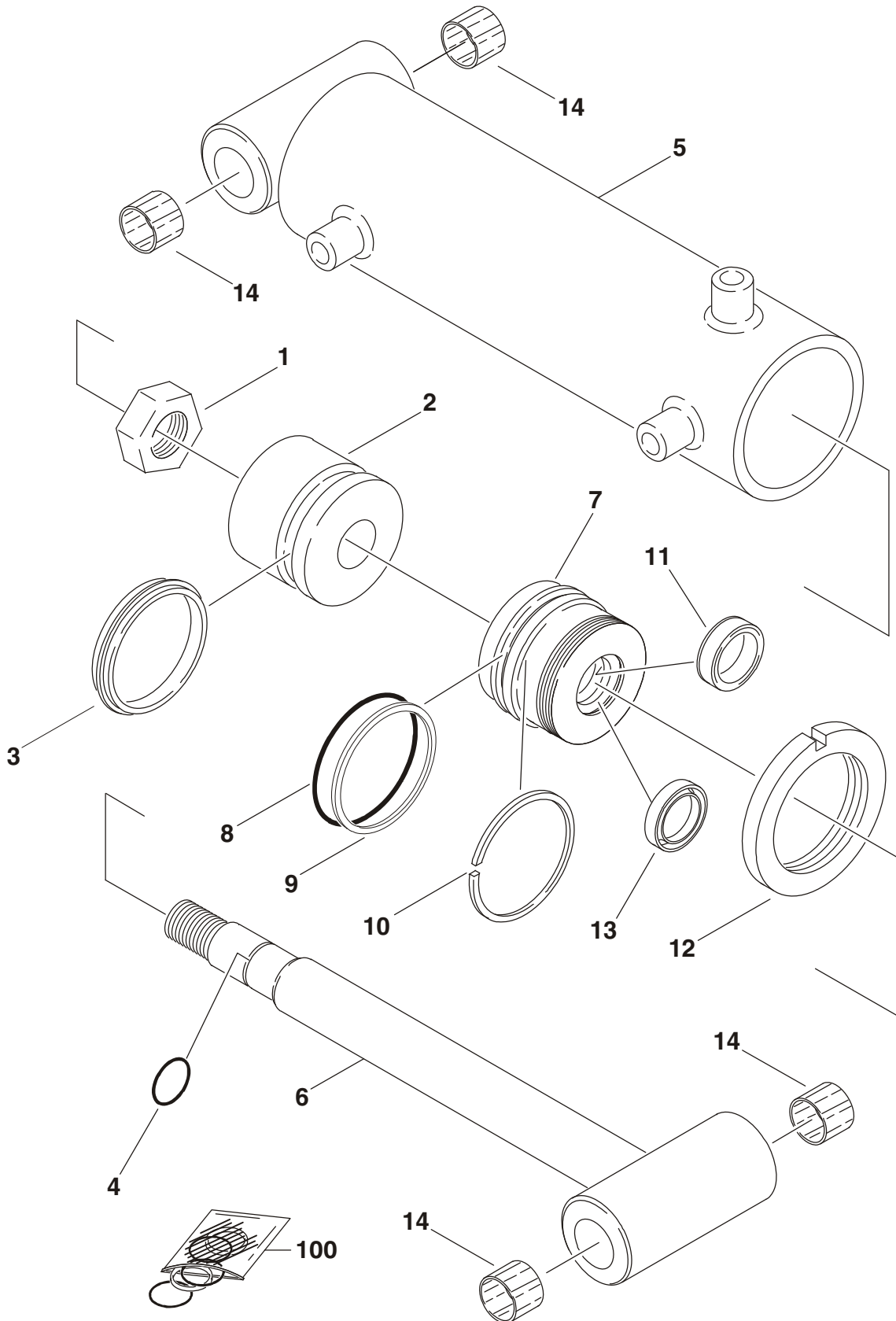
## SECTION 5 CYLINDER

**FIGURE 5-4. PLATFORM LEVEL CYLINDER ASSEMBLY**

ITEM #	PART NUMBER	QTY.	DESCRIPTION	REV.
		Ref.	<b>PLATFORM LEVEL CYLINDER ASSEMBLIES:</b>	
	1684189	Ref.	<b>800S</b>	E
	1684136	Ref.	<b>860SJ</b>	F
1	0100011	A/R	Compound, Locking	
2	0100038	A/R	Primer, Locking	
3	0100063	A/R	Loctite #RC 609	
4	0630535	3	Capscrew, Socket Head 1/4in-20NC x 1in	
5	0961894	1	Bushing, Tapered	
6		4	Bushing Options:	
	0961947		800S - Garmax	
	0961948		860SJ - Composite	
7	1683059	1	Head	
8		1	Rod Options:	
	1683976		800S ( <b>Note: Includes Item 6</b> )	
	1684133		860SJ ( <b>Note: Item 6 not included - Purchase Separately</b> )	
9		1	Barrel Options:	
	1684188		800S ( <b>Note: Includes Item 6</b> )	
	1684135		860SJ ( <b>Note: Item 6 not included - Purchase Separately</b> )	
10	2220883	10	Plug	
11	2220885	1	Plug	
12	3480267	1	Piston	
13	Not Used			
14	Use 2902061	1	Ring, Back-up	
15	Use 2902061	2	Ring, Lock	
16	Use 2902061	2	Ring, Wear	
17	Use 2902061	2	Ring, Back-up	
18	Use 2902061	1	O-Ring	
19	Use 2902061	1	O-Ring	
20	Use 2902061	1	Seal	
21	Use 2902061	1	Wiper	
22	Use 2902061	2	Seal	
23	3760369	1	Ring, Washer	
24	3931620	8	Capscrew 3/8in-16NC x 1-1/4in	
25		1	Spacer, Tube Options:	
	4568402		800S	
	4566468		860SJ	
26	4641232	1	Valve, Cartridge	
	7011112	1	Seal Kit - 4641232 Valve	
27	4640932	1	Valve, Cartridge	
	7011112	1	Seal Kit - 4640932 Valve	
28 to 99	Not Used			
100	2902061	1	----- Seal Kit (Includes Items 14-22)	

# SECTION 5 CYLINDER

FIGURE 5-5. STEER CYLINDER ASSEMBLY (USA BUILT MACHINES S/N 0300140000 TO S/N 0300142666)



## SECTION 5 CYLINDER

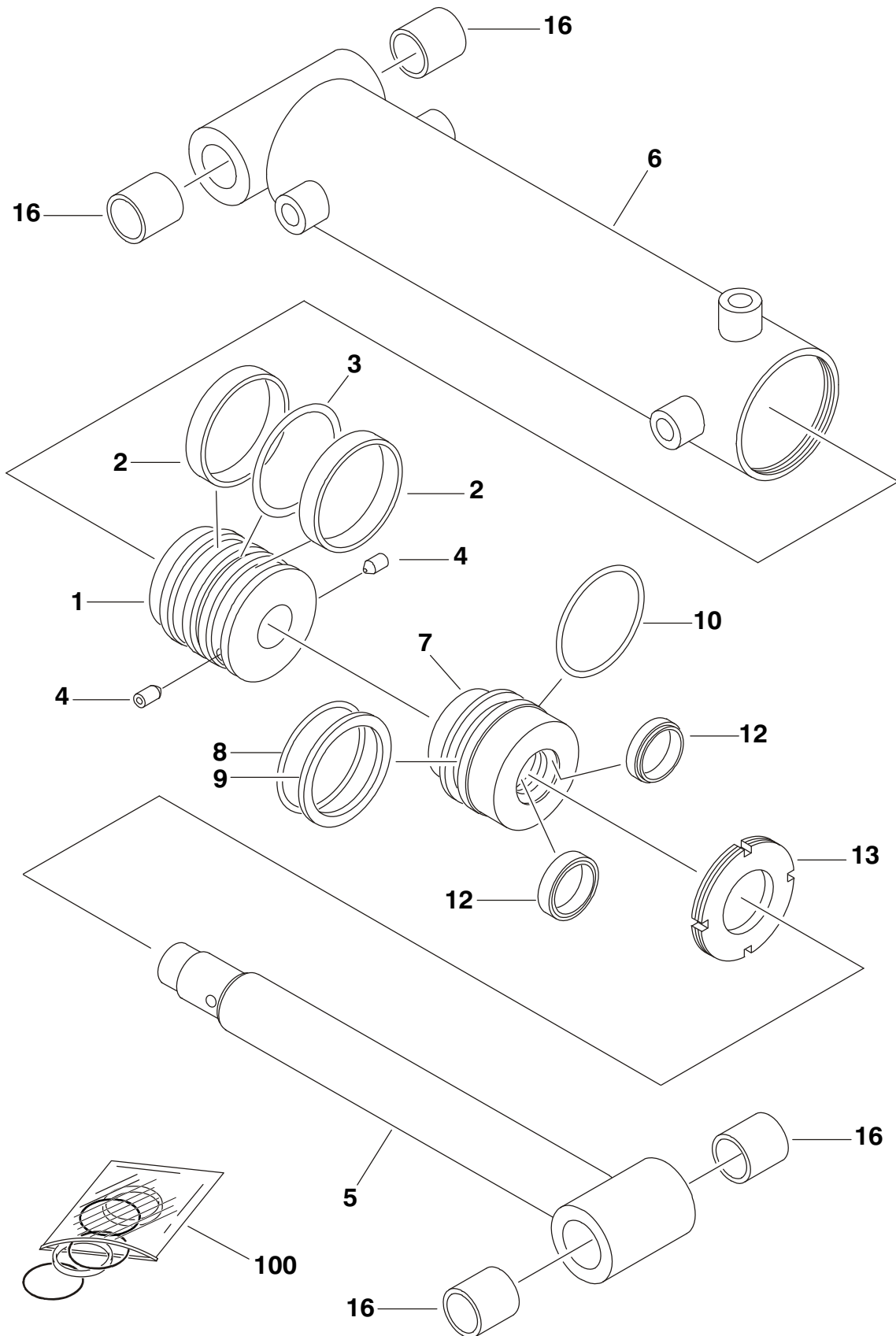
**FIGURE 5-5. STEER CYLINDER ASSEMBLY (USA BUILT MACHINES S/N 0300140000 TO S/N 0300142666)**

ITEM #	PART NUMBER	QTY.	DESCRIPTION	REV.
	1683740	Ref.	<b>STEER CYLINDER ASSEMBLY</b>	C
1	7017210	1	Locknut	
2	7017211	1	Piston	
3	Use 7017215	1	Seal	
4	Use 7017215	1	O-Ring	
5	7023023	1	Barrel Weldment	
6	7017236	1	Rod Weldment	
7	7017213	1	Head	
8	Use 7017215	1	O-Ring	
9	Use 7017215	1	Ring, Back-up	
10	Use 7017215	1	Ring, Retainer	
11	Use 7017215	1	Seal	
12	7017214	1	Nut, Spanner	
13	Use 7017215	1	Wiper	
14	0961977	4	Bushings	
15 to 99	Not Used			
100	7017215	1	Seal Kit (Includes Items 3, 4, 8-11 & 13)	



## SECTION 5 CYLINDER

FIGURE 5-6. STEER CYLINDER ASSEMBLY (USA BUILT MACHINES S/N 03000142666 TO PRESENT ONLY & CHINA BUILT MACHINES S/N B300000100 TO PRESENT ONLY)



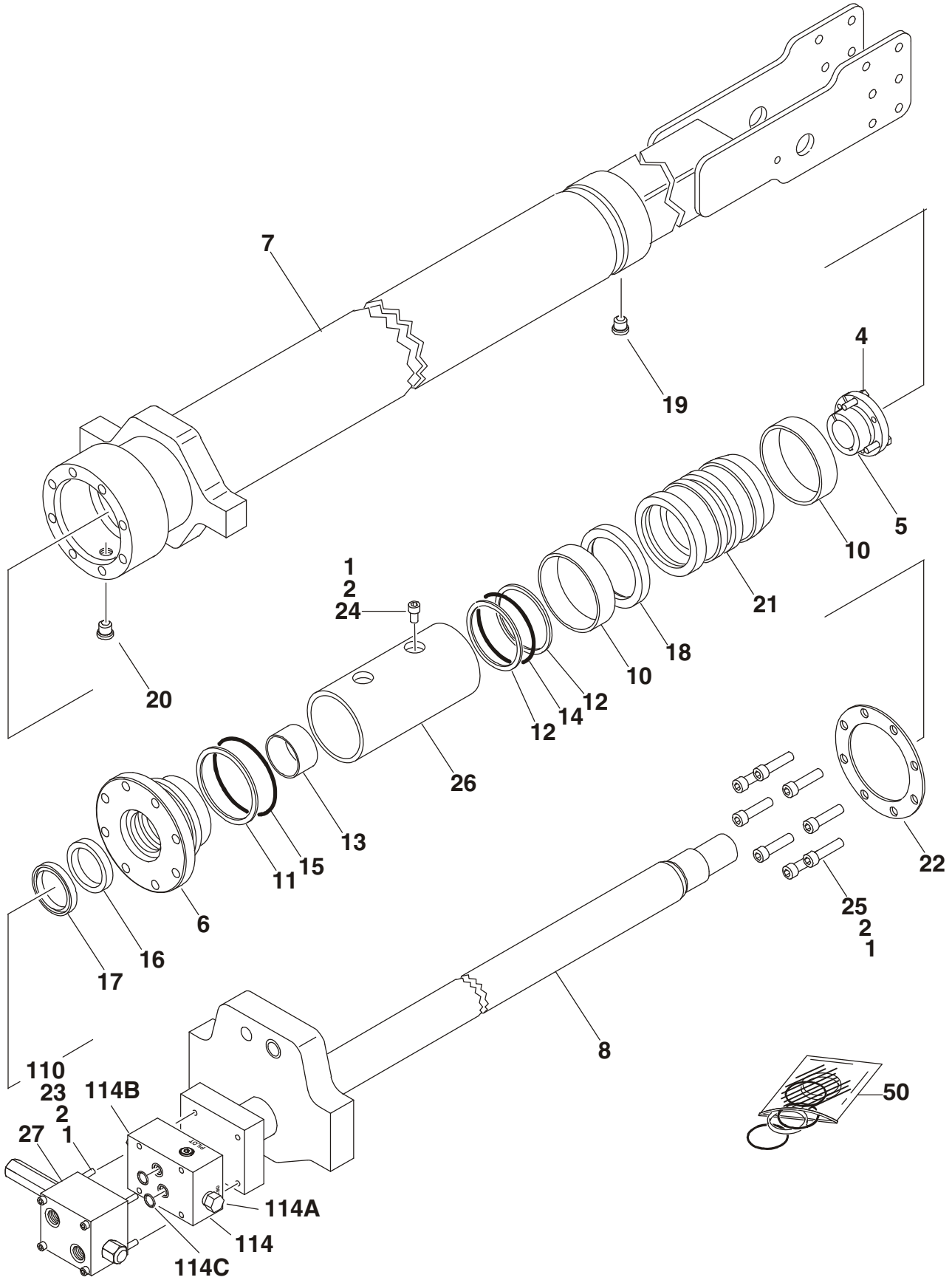
## SECTION 5 CYLINDER

**FIGURE 5-6. STEER CYLINDER ASSEMBLY (USA BUILT MACHINES S/N 03000142666 TO PRESENT ONLY & CHINA BUILT MACHINES S/N B300000100 TO PRESENT ONLY)**

ITEM #	PART NUMBER	QTY.	DESCRIPTION	REV.
	1001097243	Ref.	<b>STEER CYLINDER ASSEMBLY</b>	B
1	70002744	1	Piston	
2	Use 70002751	1	Seal	
3	Use 70002751	1	Seal	
4	70002745	2	Setscrew	
5	70002746	1	Rod Weldment	
6	70002747	1	Barrel Weldment	
7	70002748	1	Head	
8	Use 70002751	1	O-Ring	
9	Use 70002751	1	Ring, Back-up	
10	Use 70002751	1	Ring, Retainer	
11	70002749	1	Nut, Spanner	
12	Use 70002751	1	Seal	
13	Use 70002751	1	Wiper	
14	Use 70002751	5	O-Ring	
15	70002750	5	Plug, Port	
16	0962356	4	Bushings	
100	70002751	1	Seal Kit (Includes Items 2, 3, 8-10 & 12-14)	

# SECTION 5 CYLINDER

## FIGURE 5-7. TELESCOPE CYLINDER ASSEMBLY



## SECTION 5 CYLINDER

**FIGURE 5-7. TELESCOPE CYLINDER ASSEMBLY**

ITEM #	PART NUMBER	QTY.	DESCRIPTION	REV.
		Ref.	<b>TELESCOPE CYLINDER ASSEMBLY</b>	
	1684041	Ref.	<b>800S</b>	F
	1684043	Ref.	<b>860SJ</b>	G
1	0100011	A/R	Compound, Locking	
2	0100038	A/R	Primer, Locking	
3	Not Used			
4	0630535	3	Bolt 1/4in-20NC x 1-1/8in	
5	0961897	1	Bushing, Tapered	
6	1683077	1	Head	
7		1	Barrel Options:	
	1684049		800S	
	1684045		860SJ	
8		1	Rod Options:	
			800S	
	1684267		USA Built Machines S/N 0300140000 to S/N 0300150027 & Belgium Built Machines S/N B300000100 to S/N B300000282	
	1001115631		USA Built Machines S/N 0300150027 to Present & Belgium Built Machines S/N B300000282 to Present	
	1684269		860SJ USA Built Machines S/N 0300140000 to S/N 0300150027 & Belgium Built Machines S/N B300000100 to S/N B300000282	
	1001115465		USA Built Machines S/N 0300150027 to Present & Belgium Built Machines S/N B300000282 to Present	
9	Not Used			
10	See Note	2	Ring, Wear ( <b>Note: Use Item 50</b> )	
11	See Note	1	Ring, Back-up ( <b>Note: Use Item 50</b> )	
12	See Note	2	Ring, Back-up ( <b>Note: Use Item 50</b> )	
13	See Note	1	Ring, Wear ( <b>Note: Use Item 50</b> )	
14	See Note	1	O-Ring ( <b>Note: Use Item 50</b> )	
15	See Note	1	O-Ring ( <b>Note: Use Item 50</b> )	
16	See Note	1	Seal, Rod ( <b>Note: Use Item 50</b> )	
17	See Note	1	Wiper ( <b>Note: Use Item 50</b> )	
18	See Note	1	T-Seal ( <b>Note: Use Item 50</b> )	
19	2220885	1	Plug, O-Ring	
20	2220886	2	Plug, O-Ring	
21		1	Piston Options:	
	3480266		USA Built Machines S/N 0300140000 to S/N 0300150027 & Belgium Built Machines S/N B300000100 to S/N B300000282	
	1001115504		USA Built Machines S/N 0300150027 to Present & Belgium Built Machines S/N B300000282 to Present	
22	1001108958	1	Ring, Washer	
23	3931448	4	Capscrew 1/4in-20NC x 3in	
24	3931508	1	Capscrew 5/16in-18NC x 1/2in	
25	3931724	8	Capscrew 7/16in-14NC x 1-1/2in	

# SECTION 5 CYLINDER

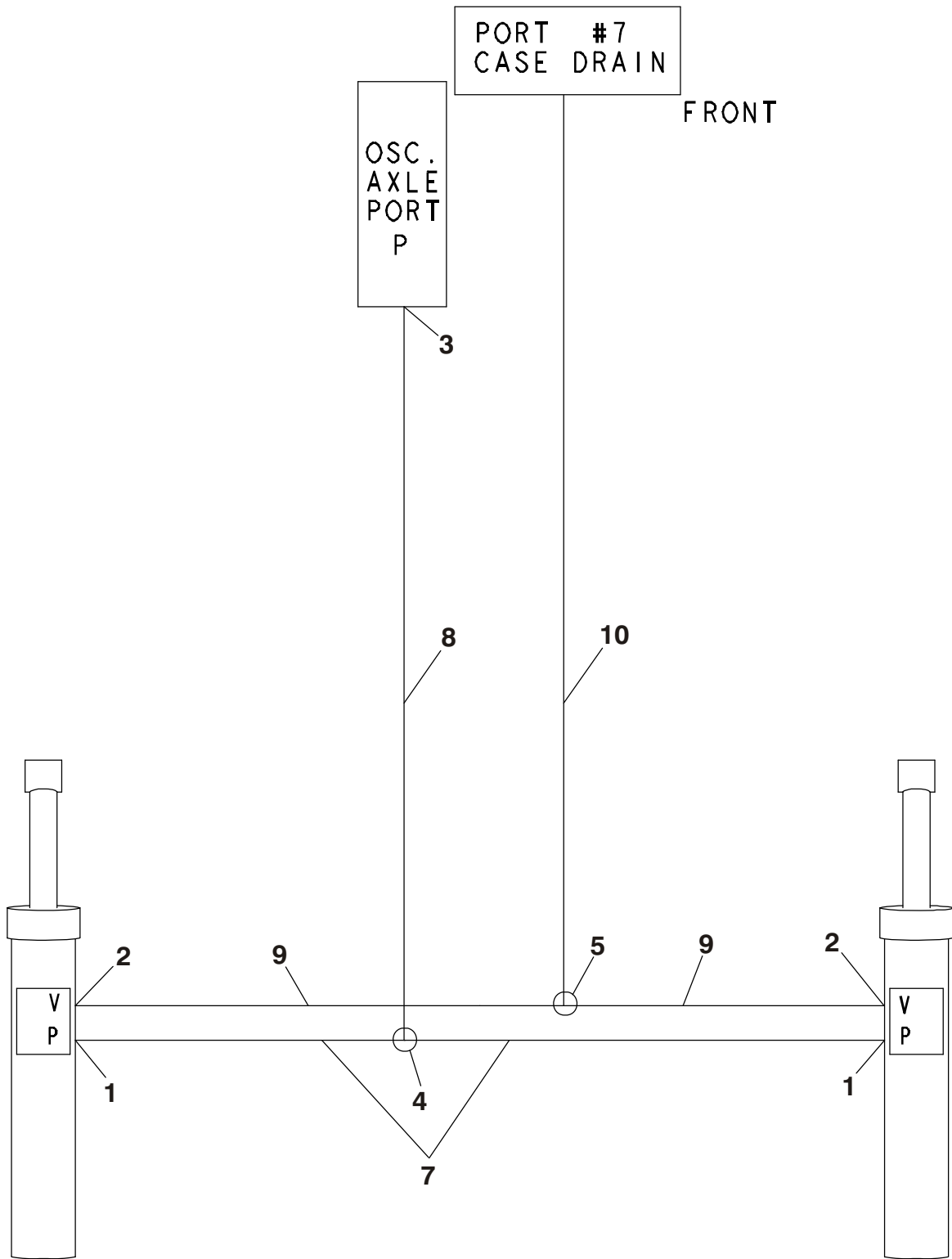
**FIGURE 5-7. TELESCOPE CYLINDER ASSEMBLY (CONTINUED)**

ITEM #	PART NUMBER	QTY.	DESCRIPTION	REV.
26		1	Spacer, Tube Options: 800S	
	4568264		USA Built Machines S/N 0300140000 to S/N 0300150027 & Belgium Built Machines S/N B300000100 to S/N B300000282	
	1001115633		USA Built Machines S/N 0300150027 to Present & Belgium Built Machines S/N B300000282 to Present	
	4568282		860SJ USA Built Machines S/N 0300140000 to S/N 0300150027 & Belgium Built Machines S/N B300000100 to S/N B300000282	
	1001115469		USA Built Machines S/N 0300150027 to Present & Belgium Built Machines S/N B300000282 to Present	
27	4641033	1	Valve Assembly (No serviceable parts - sold as assembly only)	
	7024508	2	O-Ring (Not Shown - Located between valve and cylinder.)	
28 to 49	Not Used			
50		1	Seal Kit (Includes Items 10-18) Options: ----- USA Built Machines S/N 0300140000 to S/N 0300150027 & Belgium Built Machines S/N B300000100 to S/N B300000282	
	2901554		USA Built Machines S/N 0300150027 to Present & Belgium Built Machines S/N B300000282 to Present	
	1001115617			
	0272750	Ref.	<b>MANUAL DESCENT INSTALLATION</b>	A
101 to 109	Not Used			
110	3931480	4	Capscrew 1/4in-20NC x 5in	
111 to 113	Not Used			
114	4641262	1	Valve, Assembly (Manual Descent)	
114A	7026015	1	Cartridge	
	7026004	1	Seal Kit - 7026015 Cartridge	
114B	7026016	1	Cartridge	
	7011346	1	Seal Kit - 7026016 Cartridge	
114C	3790112	2	O-Ring	

# **SECTION 6 HYDRAULIC**

# SECTION 6 HYDRAULIC

## FIGURE 6-1. AXLE LOCKOUT HYDRAULIC DIAGRAM



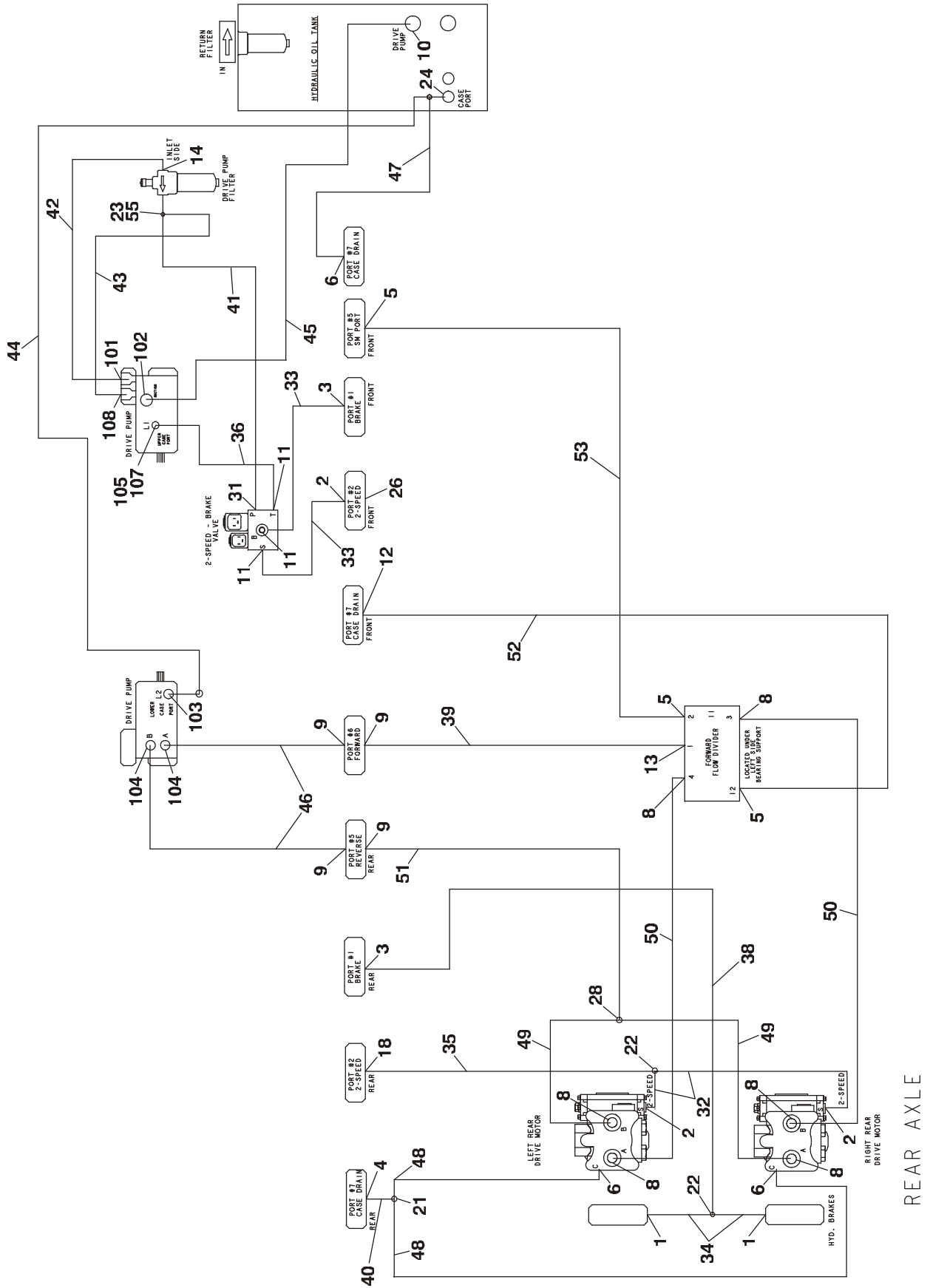
**FIGURE 6-1. AXLE LOCKOUT HYDRAULIC DIAGRAM**

ITEM #	PART NUMBER	QTY.	DESCRIPTION	REV.
	2792648	Ref.	<b>AXLE LOCKOUT HYDRAULIC DIAGRAM</b>	3/L
1	2110406	2	Fitting, Straight	
2	2110606	2	Fitting, Straight	
3	2110408	1	Fitting, Straight	
4	2170504	1	Fitting, Tee	
5	2170506	1	Fitting, Tee	
6	Not Used			
7	2753629	2	Hose	
8	2753630	1	Hose	
9	2753624	2	Hose	
10	2753627	1	Hose	



# SECTION 6 HYDRAULIC

## FIGURE 6-2. DRIVE HYDRAULIC DIAGRAM - 2WD



## SECTION 6 HYDRAULIC

**FIGURE 6-2. DRIVE HYDRAULIC DIAGRAM - 2WD**

ITEM #	PART NUMBER	QTY.	DESCRIPTION	REV.
	2792714	Ref	<b>DRIVE HYDRAULIC DIAGRAM - 2WD</b>	B/L
1	2110404	2	Fitting, Straight	
2	2110406	3	Fitting, Straight	
3	2110408	2	Fitting, Straight	
4	2110808	1	Fitting, Straight	
5	2110606	3	Fitting, Straight	
6	2110812	3	Fitting, Straight	
7	Not Used			
8	2111212	6	Fitting, Straight	
9	2111616	4	Fitting, Straight	
10	2111620	1	Fitting, Straight	
11	2130404	3	Fitting, 90°	
12	2170406	1	Fitting, Tee	
13	2151616	1	Fitting, 45°	
14	2131012	1	Fitting, 90°	
15 to 17	Not Used			
18	2150406	1	Fitting, 45°	
19 to 20	Not Used			
21	2170508	1	Fitting, Tee	
22	2170504	2	Fitting, Tee	
23	2221183	1	Fitting, Reducer	
24	2221088	2	Fitting, Tee	
25	Not Used			
26	2220237	1	Fitting, Plug	
27	Not Used			
28	2170516	1	Fitting, Tee	
29	Not Used			
30	Not Used			
31	2170204	1	Fitting, 90°	
32	2754401	2	Hose	
33	2753540	2	Hose	
34	2753725	2	Hose	
35	3753550	1	Hose	
36	2753935	1	Hose	
37	Not Used			
38	2753622	1	Hose	
39	2753635	1	Hose	
40	2753685	1	Hose	
41	1001095307	1	Hose	
42	2753660	1	Hose	
43	1001095308	1	Hose	
44	2753664	1	Hose	
45	2753807	1	Hose	
46	2753667	2	Hose	
47	2754242	1	Hose	
48	2754240	2	Hose	
49	2754238	2	Hose	
50	2753688	2	Hose	

# SECTION 6 HYDRAULIC

**FIGURE 6-2. DRIVE HYDRAULIC DIAGRAM - 2WD (CONTINUED)**

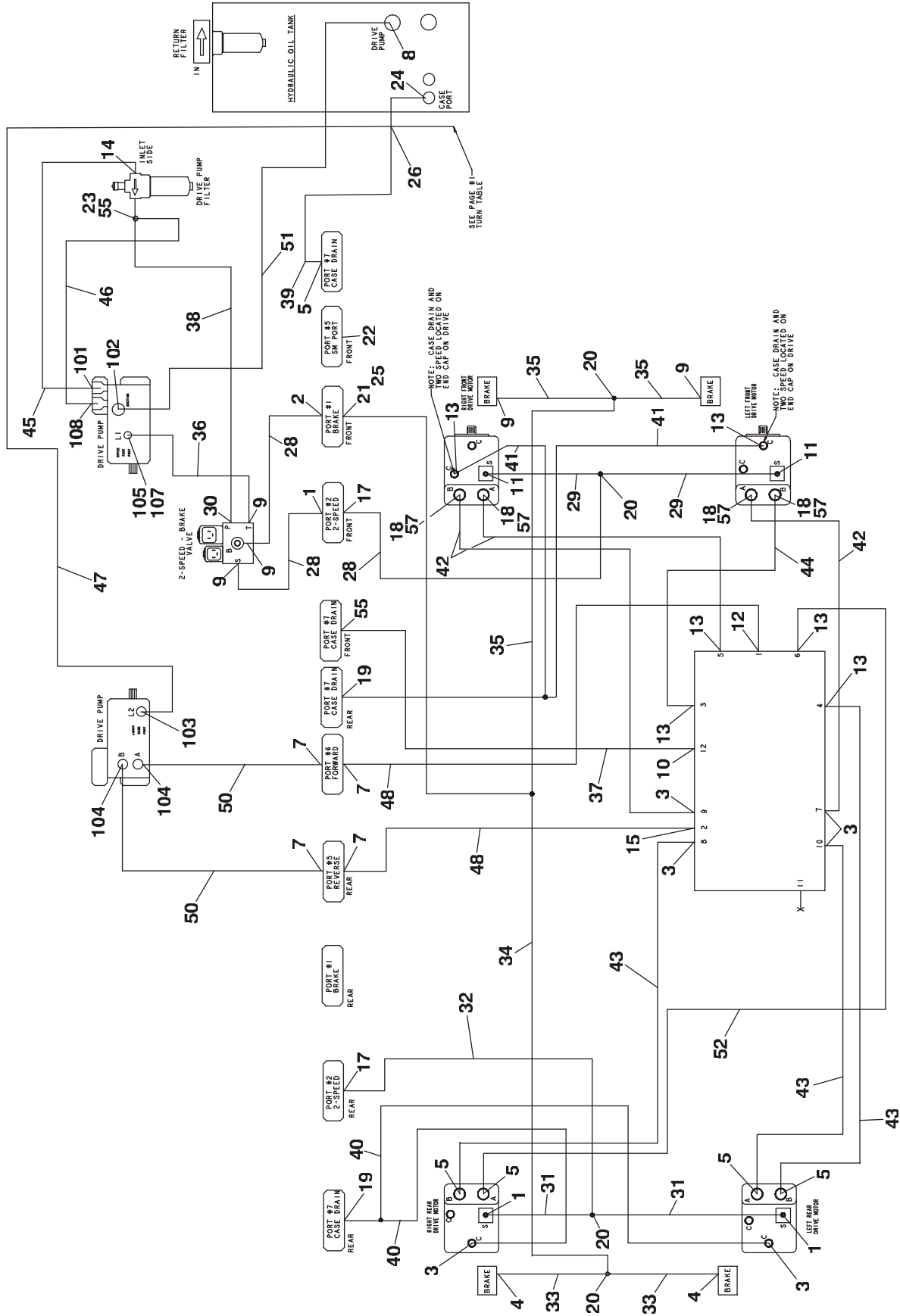
ITEM #	PART NUMBER	QTY.	DESCRIPTION	REV.
51	2754402	1	Hose	
52	2754242	1	Hose	
53	2754243	1	Hose	
54	Not Used			
55	2221084	1	Fitting, Tee	
	3600410	Ref.	<b>PISTON PUMP ASSEMBLY</b>	C
101	2111010	1	Fitting, Straight	
102	2111616	1	Fitting, Straight	
103	2131212	1	Fitting, 90°	
104	2131616	2	Fitting, 90°	
105	2110408	1	Fitting, Straight	
106	Not Used			
107	2220811	1	Fitting, Reducer	
108	2110810	1	Fitting, Straight	

**FIGURE 6-2. DRIVE HYDRAULIC DIAGRAM - 2WD (CONTINUED)**

ITEM #	PART NUMBER	QTY.	DESCRIPTION	REV.

# SECTION 6 HYDRAULIC

### FIGURE 6-3. DRIVE HYDRAULIC DIAGRAM - 4WD



## SECTION 6 HYDRAULIC

**FIGURE 6-3. DRIVE HYDRAULIC DIAGRAM - 4WD**

ITEM #	PART NUMBER	QTY.	DESCRIPTION	REV.
		Ref	<b>DRIVE HYDRAULIC DIAGRAM - 4WD</b>	
	2792713	Ref	<b>Without Arctic Package</b>	B/L
	2792770	Ref	<b>With Arctic Package</b>	4/B
1	2110406	3	Fitting, Straight	
2	2110408	1	Fitting, Straight	
3	2110808	6	Fitting, Straight	
4	2110404	2	Fitting, Straight	
5	2110812	5	Fitting, Straight	
6	Not Used			
7	2111616	4	Fitting, Straight	
8	2111620	1	Fitting, Straight	
9	2130404	5	Fitting, 90°	
10	2130604	1	Fitting, 90°	
11	2130406	2	Fitting, 90°	
12	2151616	1	Fitting, 45°	
13	2130808	6	Fitting, 90°	
14	2131012	1	Fitting, 90°	
15	2131616	1	Fitting, 90°	
16	Not Used			
17	2150406	2	Fitting, 45°	
18	2150808	4	Fitting, 45°	
19	2170408	2	Fitting, Tee	
20	2170504	4	Fitting, Tee	
21	2170350	1	Fitting, Tee	
22	2220237	1	Fitting, Plug	
23	2221183	1	Fitting, Reducer	
24	2221088	1	Fitting, Tee	
25	2220591	1	Fitting, Reducer	
26	2170708	1	Fitting, Tee	
27	Not Used			
28	2753540	3	Hose	
29		2	Hose Options:	
	2753549		Without Arctic Package	
	2754718		With Arctic Package	
30	2130204	1	Fitting, 90°	
31	2754401	2	Hose	
32	2753550	1	Hose	
33	2754337	2	Hose	
34	2754044	1	Hose	
35		3	Hose Options:	
	2753622		Without Arctic Package	
	2754719		With Arctic Package	
36	2753935	1	Hose	
37	2753626	1	Hose	
38	1001095307	1	Hose	
39	2753685	1	Hose	
40	2753686	2	Hose	

## SECTION 6 HYDRAULIC

**FIGURE 6-3. DRIVE HYDRAULIC DIAGRAM - 4WD (CONTINUED)**

ITEM #	PART NUMBER	QTY.	DESCRIPTION	REV.
41	2753628 2754720	2	Hose Options: Without Arctic Package With Arctic Package	
42	2753970 2754743	3	Hose Options: Without Arctic Package With Arctic Package	
43	2753971	3	Hose	
44	2754040 2754744	1	Hose Options: Without Arctic Package With Arctic Package	
45	2753660	1	Hose	
46	1001095308	1	Hose	
47	2753664	1	Hose	
48	2753634	2	Hose	
49	Not Used			
50	2753667	2	Hose	
51	2753807	1	Hose	
52	2754338	1	Hose	
53	Not Used			
54	2170406	1	Fitting, Tee	
55	2221084	1	Fitting, Tee	
56	Not Used			
57	2220811	4	Fitting, Reducer	
	3600410	Ref.	<b>PISTON PUMP ASSEMBLY</b>	C
101	2111010	1	Fitting, Straight	
102	2111616	1	Fitting, Straight	
103	2131212	1	Fitting, 90°	
104	2131616	2	Fitting, 90°	
105	2110408	1	Fitting, Straight	
106	Not Used			
107	2220811	1	Fitting, Reducer	
108	2110810	1	Fitting, Straight	

**SECTION 6 HYDRAULIC**

**FIGURE 6-3. DRIVE HYDRAULIC DIAGRAM - 4WD (CONTINUED)**

ITEM #	PART NUMBER	QTY.	DESCRIPTION	REV.





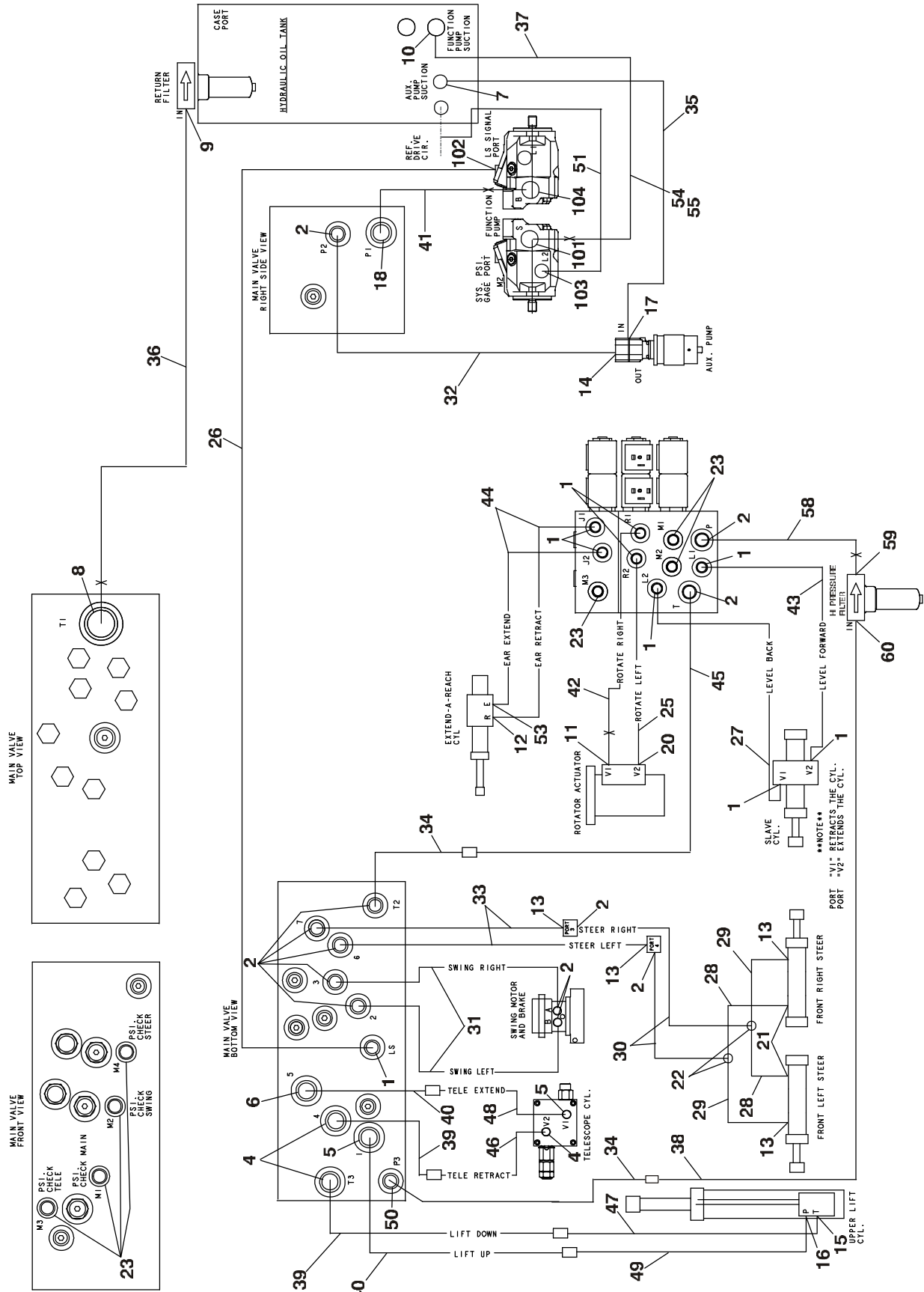
## SECTION 6 HYDRAULIC

**FIGURE 6-4. MANUAL DESCENT HYDRAULIC DIAGRAM ( OPTIONAL)**

ITEM #	PART NUMBER	QTY.	DESCRIPTION	REV.
	2792597	Ref.	<b>MANUAL DESCENT HYDRAULIC DIAGRAM</b>	A
1	2170708	2	Fitting, Tee	
2	2110406	1	Fitting	
3	2753578	1	Hose	
4	2130406	5	Fitting, 90°	
5	2170804	1	Fitting, Tee	
6	2130404	6	Fitting, 90°	
7	2220235	1	Fitting, Plug	
8	2753678	3	Hose	
9	2170306	1	Fitting, Tee	
10	2753895	1	Hose	
11	2753896	1	Hose	
12	2753897	2	Hose	
13	4640774	1	Valve, Check	
14	4568708	1	Tube	
15	2110604	1	Fitting	

# SECTION 6 HYDRAULIC

## FIGURE 6-5. STANDARD HYDRAULIC DIAGRAM



## SECTION 6 HYDRAULIC

**FIGURE 6-5. STANDARD HYDRAULIC DIAGRAM**

ITEM #	PART NUMBER	QTY.	DESCRIPTION	REV.
		Ref.	<b>STANDARD HYDRAULIC DIAGRAM</b>	
	2792649	Ref.	<b>800S</b>	6/L
	2792650	Ref.	<b>860SJ</b>	5/L
1	2110404	A/R	Fitting, Straight	
2	2110606	12	Fitting, Straight	
3	Not Used			
4	2110808	3	Fitting, Straight	
5	2111008	2	Fitting, Straight	
6	2111010	1	Fitting, Straight	
7		1	Fitting Options:	
	2111212	1	Fitting, Straight (USA Built Machines S/N 0300140000 to S/N 0300143626 Only & China Built Machines S/N B300000100 to S/N B300000161 Only)	
	2151212	1	Fitting, 45° (USA Built Machines S/N 0300143626 to Present Only & China Built Machines S/N B300000161 to Present Only)	
8		1	Fitting Options:	
	2111612		800S - Fitting, Straight (USA Built Machines S/N 0300140000 to S/N 0300144798 & China Built Machines S/N B300000100 to S/N B300000215)	
	2131612		800S - Fitting, 90° (USA Built Machines S/N 0300144798 to Present & China Built Machines S/N B300000215 to Present)	
	2111612		860SJ - Fitting, Straight	
9	2111616	1	Fitting, Straight	
10	2112424	1	Fitting, Straight	
11	2130404	1	Fitting, 90°	
12		1	Fitting, 90° Options:	
	Not Required		800S	
	2130406		860SJ	
13	2130606	4	Fitting, 90°	
14	2130608	1	Fitting, 90°	
15	2130810	1	Fitting, 90°	
16	2131010	1	Fitting, 90°	
17	2131210	1	Fitting, 90°	
18	2131212	1	Fitting, 90°	
19	Not Used			
20	2150404	1	Fitting, 45°	
21	2150606	2	Fitting, 45°	
22	2170506	2	Fitting, Tee	
23	2221086	A/R	Fitting, Pressure Check	
24	Not Used			
25	2753545	1	Hose	
26	2753622	1	Hose	
27		1	Hose Options:	
	2753622		800S	
	2753677		860SJ	
28	2753625	2	Hose	
29	2753626	2	Hose	

# SECTION 6 HYDRAULIC

**FIGURE 6-5. STANDARD HYDRAULIC DIAGRAM (CONTINUED)**

ITEM #	PART NUMBER	QTY.	DESCRIPTION	REV.
30	2753627	2	Hose	
31	2753653	2	Hose	
32	2753654	1	Hose	
33	2753656	2	Hose	
34	2753657	2	Hose	
35	2753662	1	Hose	
36	2753665	1	Hose	
37	2753808	1	Hose	
38		1	Hose Options:	
	2753693		800S	
	2753692		860SJ	
39	2753670	2	Hose	
40	2753671	2	Hose	
41	2753672	1	Hose	
42	2753674	1	Hose	
43		1	Hose Options:	
	2753675		800S	
	2753678		860SJ	
44		A/R	Hose Options:	
	Not Required	0	800S	
	2753676	2	860SJ	
45		1	Hose Options:	
	2753679		800S	
	2753680		860SJ	
46	2753681	1	Hose	
47	2753682	1	Hose	
48	2753683	1	Hose	
49	2753684	1	Hose	
50	2110608	1	Fitting, Straight	
51	2753590	1	Hose	
52	Not Used			
53		1	Fitting, 90° Options:	
	Not Required		800S	
	2180829		860SJ	
54	4061032	1	Hose Guard	
55	4240018	3	Tie Strap	
56 to 57	Not Used			
58	2717059	1	Hose (USA Built Machines S/N 0300141319 to Present Only & China Built Machines S/N B300000100 to Present Only)	
59	2110612	1	Fitting, Adapter (USA Built Machines S/N 0300141319 to Present Only & China Built Machines S/N B300000100 to Present Only)	
60	2130612	1	Fitting, Adapter (USA Built Machines S/N 0300141319 to Present Only & China Built Machines S/N B300000100 to Present Only)	
	2902460	1	Hose Kit - 800S (Includes Items 26, 38, 42, 43 & 45)	
	2902461	1	Hose Kit - 800S/860SJ (Includes Items 34, 39, 40, 47 & 49)	
	2902462	1	Hose Kit - 860SJ (Includes Items 27, 38 & 42-45)	

## SECTION 6 HYDRAULIC

### FIGURE 6-5. STANDARD HYDRAULIC DIAGRAM (CONTINUED)

ITEM #	PART NUMBER	QTY.	DESCRIPTION	REV.
	3600411	Ref.	<b>LOAD SENSING PUMP AND FITTING ASSEMBLY</b>	A
101	2112424	1	Fitting, Straight	
102	2130404	1	Fitting, 90°	
103	2130810	1	Fitting, 90°	
104	2131216	1	Fitting, 90°	

# SECTION 6 HYDRAULIC

**FIGURE 6-6. HYDRAULIC DIAGRAM LIST**

ITEM #	PART NUMBER	QTY.	DESCRIPTION	REV.
		Ref.	<b>Note: Diagrams with asterisk (*) are shown in the preceding pages. Information on diagrams not shown are available from JLG Service/Parts Departments.</b>	Ref.
	2792648/1283387*	Ref.	<b>Axle Lockout Hydraulic Diagram</b>	
		Ref.	<b>Drive Hydraulic Diagrams:</b>	
	2792714/1283387*	Ref.	<b>2WD Machines</b>	
	2792713/1283387*	Ref.	<b>4WD Machines</b>	
	2792770*	Ref.	<b>4WD Machines With Arctic Package</b>	
	2792597*	Ref.	<b>Manual Descent Hydraulic Diagram (Optional)</b>	
		Ref.	<b>Oil Cooler Hydraulic Diagrams:</b>	
		Ref.	<b>Deutz Engine Options:</b>	
	1001108703	Ref.	<b>USA Built Machines S/N 0300140000 to S/N 0300163080 &amp; China Built Machines S/N B300000100 to S/N B300000662</b>	
	1001138328	Ref.	<b>USA Built Machines S/N 0300163080 to Present &amp; China Built Machines S/N B300000662 to Present</b>	
	0271939/1283309	Ref.	<b>GM Engine Machines</b>	
		Ref.	<b>Standard Hydraulic Diagrams:</b>	
	2792649/1283387*	Ref.	<b>800S</b>	
	2792650/1283387*	Ref.	<b>860SJ</b>	
	2792678	Ref.	<b>Standard Hydraulic Schematic</b>	
	2792653/1283387	Ref.	<b>Tow Hydraulic Diagram</b>	

# **SECTION 7 ELECTRICAL**



# SECTION 7 ELECTRICAL

**FIGURE 7-1. ELECTRICAL DIAGRAM LIST**

ITEM #	PART NUMBER	QTY.	DESCRIPTION	REV.
		Ref.	<b>Note: Diagrams not shown are available from the JLG Service Department.</b>	
		Ref.	<b>GENERATOR ELECTRICAL DIAGRAM</b>	
		Ref.	<b>2500W Generators (50Hz)</b>	
	100112743	Ref.	<b>ANSI Export Specs - Caterpillar/Deutz</b>	
		Ref.	<b>2500W Generators (60Hz)</b>	
	100112588	Ref.	<b>ANSI Specs - Caterpillar &amp; Deutz Engines Only</b>	
	4933350	Ref.	<b>ANSI Specs - GM Engines Only</b>	
		Ref.	<b>7500W Generators (60Hz/50Hz)</b>	
	100112586	Ref.	<b>Caterpillar &amp; Deutz Engine Machines</b>	
	4933349	Ref.	<b>GM Engine Machines</b>	
		Ref.	<b>LIGHTS ELECTRICAL DIAGRAM</b>	
	4933231	Ref.	<b>CHASSIS FLOOD LIGHTS</b>	
	4933219	Ref.	<b>HEAD &amp; TAIL LIGHTS</b>	
	4933249	Ref.	<b>PLATFORM FLOOD LIGHTS</b>	
		Ref.	<b>PLATFORM WORKLIGHTS ELECTRICAL DIAGRAM</b>	
	0273472	Ref.	<b>800S</b>	
	0273483	Ref.	<b>860SJ</b>	
	1001128153	Ref.	<b>860SJ (4 Corner Worklights)</b>	
	4933218	Ref.	<b>SOFT TOUCH ELECTRICAL DIAGRAM</b>	
		Ref.	<b>STANDARD ELECTRICAL DIAGRAMS</b>	
	1001110344	Ref.	<b>Caterpillar Machines</b>	
	1001110343	Ref.	<b>Deutz Machines</b>	
	1001110342	Ref.	<b>GM Machines</b>	
		Ref.	<b>STANDARD ELECTRICAL SCHEMATICS</b>	
		Ref.	<b>Caterpillar, Deutz &amp; GM Engine Machines Options:</b>	
	1001110325	Ref.	<b>USA Built Machines S/N 0300140000 to S/N 0300161730 &amp; China Built Machines S/N 300000100 to S/N B300000640</b>	
	1001141141	Ref.	<b>USA Built Machines S/N 0300161730 to Present &amp; China Built Machines S/N B300000640 to Present</b>	
	1001131992	Ref.	<b>GM Engine Schematic (Engine Schematic Only. P/N 1001110325 or P/N 1001141141 is Schematic for complete machine)</b>	

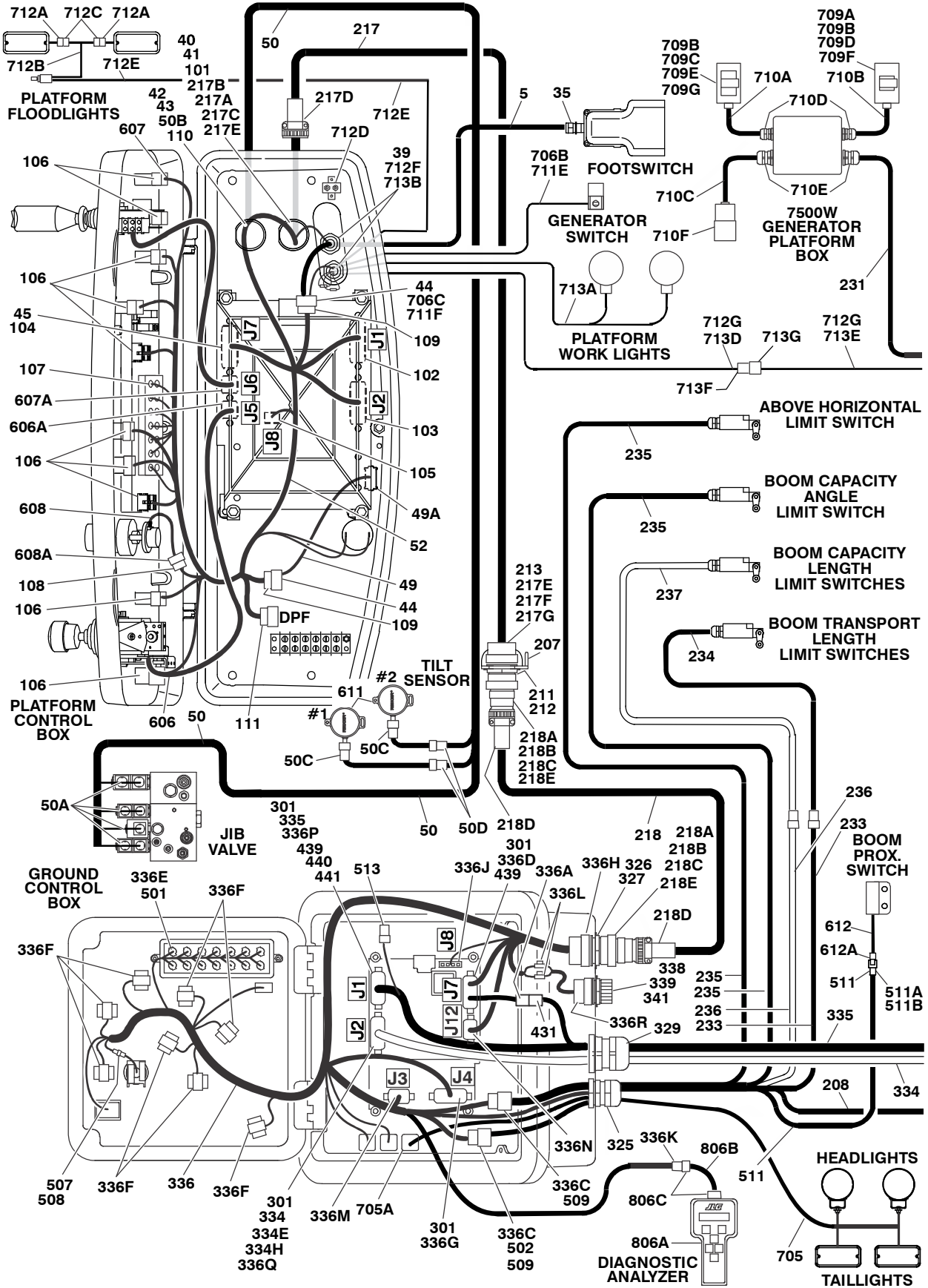
# SECTION 7 ELECTRICAL

## FIGURE 7-1. ELECTRICAL DIAGRAM LIST (CONTINUED)

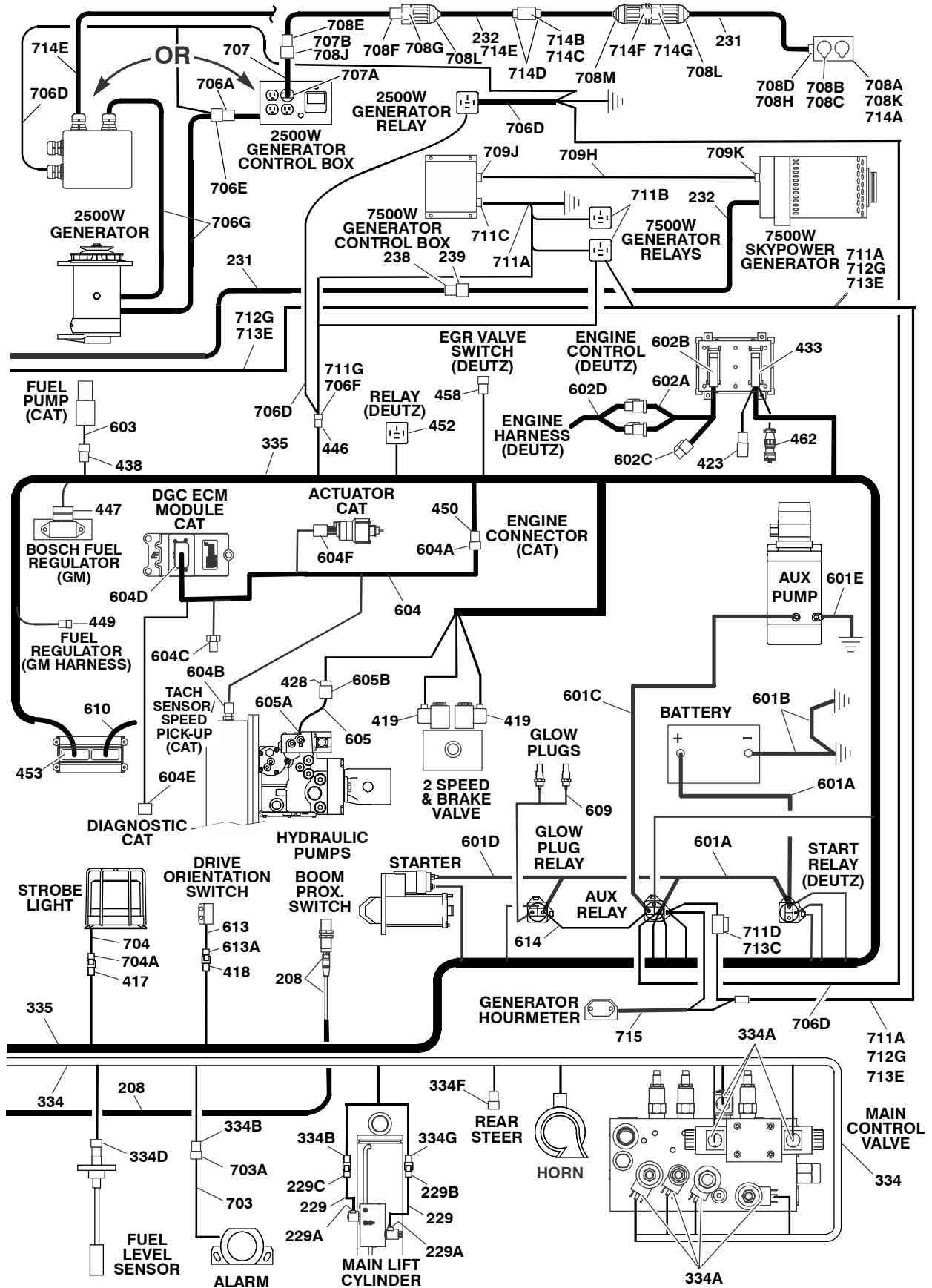
ITEM #	PART NUMBER	QTY.	DESCRIPTION	REV.

# SECTION 7 ELECTRICAL

## FIGURE 7-2. HARNESS COMPONENTS INSTALLATION



# SECTION 7 ELECTRICAL



# SECTION 7 ELECTRICAL

**FIGURE 7-2. HARNESS COMPONENTS INSTALLATION**

ITEM #	PART NUMBER	QTY.	DESCRIPTION	REV.
		Ref.	<b>PLATFORM CONSOLE BOX COMPONENTS</b>	
	1001114896	Ref.	<b>USA Built Machines S/N 0300140000 to S/N 0300161730 &amp; China Built Machines S/N 300000100 to S/N B300000640</b>	G
	1001141140	Ref.	<b>USA Built Machines S/N 0300161730 to Present &amp; China Built Machines S/N B300000640 to Present</b>	A
1 to 4	Not Used			
5	1060918	7ft/2.14m	Cable, Electrical - 18/3	
6 to 34	Not Used			
35	4460071	1	Connector, Strain Relief	
36 to 38	Not Used			
39	4460428	2	Connector, Strain Relief	
40	4460470	1	Nut, Terminal	
41	4460471	1	Lockwasher, Terminal	
42	4460496	1	Lockwasher, Terminal	
43	4460497	1	Nut, Terminal	
44	4460708	2	Receptacle - 15 Position	
45	4460905	5	Seal, Plug	
46 to 48	Not Used			
49	4922666	1	Harness, Analyzer Cable	2/B
	4460226	4	Socket, Female (Not Shown - Located at J2)	
49A	4460761	1	Connector, Female - 4 Position	
	4460227	4	Pin, Male	
50		1	Harness, Upper Valve Options:	
	4922749	1	USA Built Machines S/N 0300140000 to S/N 0300161730 & China Built Machines S/N 300000100 to S/N B300000640	3/B
	1001141137	1	USA Built Machines S/N 0300161730 to Present & China Built Machines S/N B300000640 to Present	A
50A	4460880	7	Connector, DIN	
50B	4460928	8	Socket, Female	
	4460918	8	Socket, Female	
	4460926	1	Connector, Deutsch - 21 Position	
50C		A/R	Lock Wedge - 3 Position Options:	
	4460913	2	USA Built Machines S/N 0300140000 to S/N 0300161730 & China Built Machines S/N 300000100 to S/N B300000640	
	4460910	2	Connector, Female Deutsch - 3 Position	
	4460917	6	Pin, Male	
	4460912	2	USA Built Machines S/N 0300161730 to Present & China Built Machines S/N B300000640 to Present	
	4460911	2	Connector, Female Deutsch - 3 Position	
	4460918	6	Pin, Male	
50D	1560012	2	Connector, Strain Relief	
51	Not Used			
52		1	Harness, Platform Box Options (See Items 101-110 for Breakdown):	
	1001107796		USA Built Machines S/N 0300140000 to S/N 0300161730 & China Built Machines S/N 300000100 to S/N B300000640	
	1001141136		USA Built Machines S/N 0300161730 to Present & China Built Machines S/N B300000640 to Present	

## SECTION 7 ELECTRICAL

**FIGURE 7-2. HARNESS COMPONENTS INSTALLATION (CONTINUED)**

ITEM #	PART NUMBER	QTY.	DESCRIPTION	REV.
		Ref.	<b>PLATFORM BOX HARNESS ASSEMBLY</b>	
	1001107796	Ref.	<b>USA Built Machines S/N 0300140000 to S/N 0300161730 &amp; China Built Machines S/N 300000100 to S/N B300000640</b>	D
	1001141136	Ref.	<b>USA Built Machines S/N 0300161730 to Present &amp; China Built Machines S/N B300000640 to Present</b>	A
101	4460866	1	Connector - 19 Pin	
	4460929	10	Pin, Male Deutsch 16 Ga	
	4460508	3	Pin, Male Deutsch 12 Ga	
102	4460874	1	Connector - 35 Position (Natural)	
	4460871	23	Socket, Female	
103	4460876	1	Connector - 35 Position (Blue)	
	4460871	23	Socket, Female	
104	4460873	1	Connector - 35 Position (Black)	
	4460871	28	Socket, Female	
105	4460879	1	Connector, Male 2 Position	
	4460887	2	Terminal (12 Gauge)	
106	4460418	7	Connector, Female - 6 Position	
	4460419	21	Socket, Female	
107	4460225	4	Connector - 6 Position	
	4460226	18	Terminal (16 Gauge)	
108	4460225	1	Connector - 6 Position	
	4460227	5	Pin, Male	
109	4460434	2	Connector - 15 Position	
	4460227	A/R	Pin, Male	
110	4460925	1	Connector - 21 Pin	
	4460929	8	Pin, Male Deutsch 16 Ga	
	4460917	8	Pin, Male Deutsch 12 Ga	
111	4460266	1	Connector - 9 Position (USA Built Machines S/N 0300161730 to Present & China Built Machines S/N B300000640 to Present)	
	4460227	7	Pin, Male	
		Ref.	<b>BOOM CABLES INSTALLATION</b>	
		Ref.	<b>800S</b>	
	0271322	Ref.	<b>All Specs Except Australian &amp; CE Specs</b>	I
	0271323	Ref.	<b>Australian &amp; CE Specs Only</b>	I
	0272388	Ref.	<b>All Specs Except Australian &amp; CE Specs With 7500W Generator and Without Arctic Package</b>	G
	1001117399	Ref.	<b>Australian &amp; CE Specs Only With 7500W Generator and Without Arctic Package</b>	B
	1001091609	Ref.	<b>All Specs Except Australian, CE &amp; Japanese Specs Without 7500W Generator and With Arctic Package</b>	C
	1001091664	Ref.	<b>All Specs Except Australian, CE &amp; Japanese Specs With 7500W Generator and Arctic Package</b>	E
		Ref.	<b>860SJ</b>	
	0271324	Ref.	<b>All Specs Except Australian &amp; CE Specs</b>	I
	0271325	Ref.	<b>Australian &amp; CE Specs Only</b>	K
	0272389	Ref.	<b>All Specs Except Australian &amp; CE Specs With 7500W Generator and Without Arctic Package</b>	F

# SECTION 7 ELECTRICAL

**FIGURE 7-2. HARNESS COMPONENTS INSTALLATION (CONTINUED)**

ITEM #	PART NUMBER	QTY.	DESCRIPTION	REV.
	1001117400	Ref.	<b>Australian &amp; CE Specs Only With 7500W Generator and Without Arctic Package</b>	B
	0275586	Ref.	<b>All Specs Except Australian, CE &amp; Japanese Specs Without 7500W Generator and With Arctic Package</b>	B
	1001091665	Ref.	<b>All Specs Except Australian, CE &amp; Japanese Specs With 7500W Generator and Arctic Package</b>	E
201 to 206	Not Used			
207	3573047	1	Plate, Receptacle Mounting	
208	4360506	1	Proximity Switch and Harness Assembly	
209 to 210	Not Used			
211	4460470	1	Nut, Terminal	
212	4460471	1	Lockwasher, Terminal	
213	4460866	1	Connector - 19 Position	
214 to 216	Not Used			
217		1	Harness Assembly - Main Boom (12/4 -18/8) Options:	
	4922566		800S	2/B
	1001091618		800S (With Arctic Package)	1/A
	4922567		860SJ	3/C
	4923595		860SJ (With Arctic Package)	1/A
		A/R	Cable, Electrical - 12/4&18/8 Options:	
	1060896	85ft/26m	800S	
	4923462	85ft/26m	800S (With Arctic Package)	
	1060896	95ft/29m	860SJ	
	4923462	95ft/29m	860SJ (With Arctic Package)	
	2820031	4in/9cm	Heat Shrink	
217A	4460465	11	Socket, Female 18 Gauge	
217B	4460865	1	Connector - 19 Position	
217C	4460509	4	Socket, Female 12 Gauge	
217D	4460473	1	Clamp. Cable	
217E	4460466	8	Seal, Plug	
217F	4460464	11	Pin, Male 18 Gauge	
217G	4460508	4	Pin, Male 12 Gauge	
218		1	Harness Assembly - Tower Boom (12/4 - 18/8) Options:	
	4922569		Without Arctic Package	1/A
	4923596		With Arctic Package	2/B
		20ft/6.1m	Cable, Electrical - 12/4&18/8 Options:	
	1060896		Without Arctic Package	
	4923462		With Arctic Package	
218A	4460465	22	Socket, Female 18 Gauge	
218B	4460865	2	Connector - 19 Position	
218C	4460509	8	Socket, Female 12 Gauge	
218D	4460473	2	Clamp. Cable	
218E	4460466	8	Seal, Plug	
219 to 228	Not Used			
229		1	Holding Valve/Lift Dump Harness Assembly Options: (Note: This is actually two separate harnesses under the same p/n)	
	4922660	1	Without Arctic Package	E
	4923597	1	With Arctic Package	1/A

## SECTION 7 ELECTRICAL

**FIGURE 7-2. HARNESS COMPONENTS INSTALLATION (CONTINUED)**

ITEM #	PART NUMBER	QTY.	DESCRIPTION	REV.
229A	4460880	2	Connector, DIN	
229B	4460320	1	Plug, Male - 2 Position	
	4460226	2	Socket, Female	
229C	4460424	1	Connector, Female - 2 Position	
	4460267	2	Pin, Male	
230	Not Used			
231		1	Harness, 110V A/C (To Bulkhead) Options :	
			800S:	
	4922873		All Specs Except Australian & CE Specs	
	4922875		Australian & CE Specs Only	
	Use 1001121670		All Specs Except Australian & CE Specs (Harness, 8/5 Cable - With 7500W Generator) (was p/n 4922790)	
	1001091620		All Specs Except Australian, CE & Japanese Specs (Harness, 8/5 Cable - With Arctic Package)	
	Use 1001121670		All Specs Except Australian, CE & Japanese Specs (Harness, 8/5 Cable - With 7500W Generator and Arctic Package) (was p/n 4922790)	
	4922877		All Specs Except Australian & CE Specs	
	4922878		Australian & CE Specs Only	
	Use 1001121671		All Specs (Harness, 8/5 Cable - With 7500W Generator) (was p/n 4922808)	
	4923600		All Specs Except Australian, CE & Japanese Specs (Harness, 8/5 Cable - With Arctic Package)	
	Use 1001121671		All Specs Except Australian, CE & Japanese Specs (Harness, 8/5 Cable - With 7500W Generator and Arctic Package) (was p/n 4922808)	
232		1	Harness, 110V A/C (To Generator Box) Options:	
	4922874		All Specs Except Australian & CE Specs	
	4922876		Australian & CE Specs Only	
	Use 1001121669		All Specs (Harness, 8/5 Cable - With 7500W Generator) (was p/n 4922809)	
	4923601		All Specs Except Australian, CE & Japanese Specs (Harness, 8/5 Cable - With Arctic Package)	
	Use 1001121669		All Specs Except Australian, CE & Japanese Specs (Harness, 8/5 Cable - With 7500W Generator and Arctic Package) (was p/n 4922809)	
233		1	Harness, Limit Switch Lower Options (To Boom Transport Length Limit Switch):	
	4922872		Without Arctic Package	
	4923599		With Arctic Package	
		20ft/6m	Cable, Electrical - 18/2 Options:	
	1060902		Without Arctic Package	
	4923466		With Arctic Package	
	4460465	2	Socket, Female	
	4460891	1	Plug, Male - 2 Position	
234		1	Harness, Limit Switch Upper Options (To Boom Transport Length Limit Switch):	
	4922871		Without Arctic Package	
	4923598		With Arctic Package	
		34ft/10.4m	Cable, Electrical - 18/2 Options:	
	1060902		Without Arctic Package	



## SECTION 7 ELECTRICAL

**FIGURE 7-2. HARNESS COMPONENTS INSTALLATION (CONTINUED)**

ITEM #	PART NUMBER	QTY.	DESCRIPTION	REV.
234 (cont'd)	4923466		With Arctic Package	
	4460464	2	Pin, Male	
	4460897	1	Receptacle, Female - 2 Position	
235		A/R	Cable, Electrical - 18/2	
	1061018	A/R	800S	
		2	All Specs Except Australian & CE Specs	
		1	Australian & CE Specs Only	
		2	All Specs With 7500W Generator	
	1061019	A/R	860SJ	
		2	All Specs Except Australian & CE Specs	
		1	Australian & CE Specs Only	
		2	All Specs With 7500W Generator	
236		1	Harness, Limit Switch Lower Options (To Boom Capacity Length Switch) (All Specs Except Australian & CE Specs):	
	1001098908		Without Arctic Package	
	1001098910		With Arctic Package	
		20ft/6m	Cable, Electrical - 18/2 Options:	
	1060902		Standard & Sky Welder	
	4923466		With Arctic Package	
	4460464	2	Pin, Male	
	4460897	1	Plug, Male - 2 Position	
237		1	Harness, Limit Switch Upper Options (To Boom Capacity Length Switch) (All Specs Except Australian & CE Specs):	
	1001098909		Without Arctic Package	
	1001098911		With Arctic Package	
		34ft/10.4m	Cable, Electrical - 18/2 Options:	
	1060902		Standard & Sky Welder	
	4923466		With Arctic Package	
	4460465	2	Socket, Female	
	4460891	1	Plug, Male - 2 Position	
238	4460959	1	Terminal, Turnlok Plug (With 7500W Generator)	
	1671092	1	Cover, Female Connector	
239	4460960	1	Terminal, Turnlok Connector (With 7500W Generator)	
	1671093	1	Cover, Male Connector	
		Ref.	<b>GROUND CONTROL BOX COMPONENTS</b>	
301	0100048	A/R	Grease, Dielectric	
302 to 324	Not Used			
325	4460426	1	Connector, Strain Relief	
326	4460470	1	Nut, Terminal	
327	4460471	1	Locknut, Terminal	
328	Not Used			
329	4460526	1	Connector, Strain Relief	
330 to 333	Not Used			
334	4922594	1	Valve Harness Assembly	7/K
334A	4460880	7	DIN Connector	
334B	4460320	2	Plug, Male - 2 Position	
	4460267	4	Pin, Male	
334C	Not Used			

## SECTION 7 ELECTRICAL

**FIGURE 7-2. HARNESS COMPONENTS INSTALLATION (CONTINUED)**

ITEM #	PART NUMBER	QTY.	DESCRIPTION	REV.
334D	4460834	1	Connector, Female - 2 Position	B
	4460842	2	Terminal, Female	
334E	4460871	22	Socket, Female	
334F	4460225	1	Plug, Male - 6 Position	
	4460267	6	Pin, Male	
334G	4460424	1	Connector, Female - 2 Position	
	4460267	2	Pin, Male	
334H	4460226	1	Socket, Female	
335		1	Engine Harness Assembly (See Items 401-462 for Breakdown)	
	1001110341		Caterpillar Engine Machines	
	1001110340		Deutz Engine Machines	
	1001110338		GM Engine Machines	
336	1001110339	1	Ground Control Box Harness Assembly	
336A	4460536	1	Connector, Female 3- Position	
	4460943	3	Pin, Male	
336B	3990010	2	Diode - 6 Amp (Not Shown - Located at Power Down Relay)	
336C	4460434	2	Plug, Male - 15 Position	
	4460227	21	Pin, Male	
336D	4460873	1	Connector - 35 Position (Black)	
	4460871	19	Socket, Female	
	4460905	1	Seal, Plug	
336E	4120035	6	Base, Light	
	4460634	7	Terminal (16 Gauge)	
	4460635	5	Terminal (12 Gauge)	
336F	4460418	7	Connector, Female - 6 Position	
	4460419	21	Socket, Female	
336G	4460876	1	Connector - 35 Position (Blue)	
	4460871	24	Socket, Female	
	4460905	1	Seal, Plug	
336H	4460866	1	Connector - 19 Pin	
	4460464	10	Pin, Male Deutsch 16 Ga	
	4460508	3	Pin, Male Deutsch 12 Ga	
336J	4460878	1	Housing, Terminal - 4 Position	
	4460887	3	Terminal (12 Gauge)	
336K	4460761	1	Connector, Female 4 - Position	
	4460227	4	Pin, Male	
336L	8229242	2	Fuse 5A	
	2400060	2	Holder, Fuse	
336M	1001106339	1	Connector, Male - 14 Position	
	4460871	2	Socket, Female	
336N	1001106340	1	Connector, Male - 14 Position	
	4460871	5	Socket, Female	
336P	4460874	1	Connector, Natural	
	4460871	10	Socket, Female	
336Q	4460875	1	Connector, Gray	
	4460871	5	Socket, Female	
336R	1001112612	1	Connector - 9 Position	
	4460943	4	Pin, Male	

## SECTION 7 ELECTRICAL

**FIGURE 7-2. HARNESS COMPONENTS INSTALLATION (CONTINUED)**

ITEM #	PART NUMBER	QTY.	DESCRIPTION	REV.
337		1	Ground Control Box Wiring Diagram (Not Shown - See Items 501 to 513 for Breakdown)	
	1001110344		Caterpillar Engine	
	1001110343		Deutz Engine Machines	
	1001110342		GM Engine Machines	
338	4460496	1	Lockwasher, Terminal	
339	4460497	1	Nut, Terminal	
340	Not Used			
341	1001106736	1	Cap, Dust	
		Ref.	<b>ENGINE HARNESS ASSEMBLY</b>	
	1001110341	Ref.	<b>Caterpillar Engine</b>	B
	1001110340	Ref.	<b>Deutz Engine</b>	A
	1001110338	Ref.	<b>GM Engine</b>	A
401 to 416	Not Used			
417	4460424	1	Receptacle, Female - 2 Position	
	4460268	2	Socket, Female	
418	4460424	1	Receptacle, Female - 2 Position	
	4460226	2	Socket, Female	
419	4460880	2	DIN Connector without Diode	
420 to 422	Not Used			
423	4461070	1	Receptacle, Female With Resistor (3 Position) (Deutz Engine Only)	
	4461095	1	Plug, Male - 3 Position (Deutz Engine Only)	
	4460944	3	Socket, Female (Deutz Engine Only)	
424 to 427	Not Used			
428	4460460	1	Connector, Male - 4 Position	
	4460457	4	Terminal, Female	
	4460458	4	Seal, Terminal	
429 to 430	Not Used			
431	4460539	1	Plug, Male - 3 Position	
	4460944	3	Socket, Female	
432	Not Used			
433	4461052	1	Connector, Receptacle - 25 Position (Deutz Engine Only)	
	4461005	5	Terminal (Gold) (Deutz Engine Only)	
	4461006	5	Seal, Terminal (Deutz Engine Only)	
	4461060	2	Terminal (Tin) (Deutz Engine Only)	
	4461054	2	Seal, Terminal (Deutz Engine Only)	
	4461053	1	Cover, Plug (Deutz Engine Only)	
	4461008	18	Plug, Hole (Deutz Engine Only)	
434 to 437	Not Used			
438	4460891	2	Connector, Male - 2 Position (Caterpillar Engine Only)	
	4460465	7	Socket, Female	
439	4460871	A/R	Socket, Female	
440	4460464	1	Pin, Male	
441	4460887	1	Terminal, Molex	
442 to 445	Not Used			

## SECTION 7 ELECTRICAL

**FIGURE 7-2. HARNESS COMPONENTS INSTALLATION (CONTINUED)**

ITEM #	PART NUMBER	QTY.	DESCRIPTION	REV.
446	4461157	1	Receptacle, Female - 2 Position	
	4460979	2	Pin, Male	
	4460458	2	Seal, Terminal	
447	4461121	1	Plug, Male - 4 Position (GM Engine Only)	
	4461122	4	Socket, Female (GM Engine Only)	
	4461123	4	Seal, Terminal (GM Engine Only)	
448	Not Used			
449	4461124	1	Receptacle, Female - 4 Position (GM Engine Only)	
	4460693	4	Pin, Male (GM Engine Only)	
	4460608	4	Seal, Terminal (GM Engine Only)	
	4461161	1	Lock, Terminal (GM Engine Only)	
450	4460899	1	Connector - 6 Position (Caterpillar Engines Only)	
	4460464	5	Pin, Male (Caterpillar Engines Only)	
	4460466	1	Seal, Plug (Caterpillar Engines Only)	
451	Not Used			
452	4460374	1	Plug, Sealed Relay (Deutz Engine)	
	4460375	4	Terminal (Deutz Engine)	
453	4461109	1	Plug, Male - 16 Position (GM Engine Only)	
	4461111	7	Pin, Male (GM Engine Only)	
	4461113	7	Seal, Terminal (GM Engine Only)	
	4461222	9	Plug, Terminal (GM Engine Only)	
454 to 457	Not Used			
458	1001102290	1	Connector, 2 Position (Deutz Engine)	
	1001102304	2	Seal (Deutz Engine)	
	1001102291	2	Terminal, Receptacle (Deutz Engine)	
459 to 461	Not Used			
462	2902443	1	Kit, Receptacle (Deutz Engine Only)	
	4461071	8	Terminal, Female (Gold) (Deutz Engine Only)	
	4461072	1	Connector, Flange Mount (Deutz Engine Only)	
	4461073	1	Connector, Dust Cap (Deutz Engine Only)	
	4461074	1	Connector, Shell (Deutz Engine Only)	
		Ref.	<b>GROUND CONTROL BOX WIRING DIAGRAM</b>	
	1001110344	Ref.	<b>Caterpillar Engine</b>	C
	1001110343	Ref.	<b>Deutz Engine</b>	C
	1001110342	Ref.	<b>GM Engine</b>	A
501	2920129	A/R	Bulb, Light	
502	4922636	1	Harness, Jumper	
	4460226	2	Socket, Female	
503 to 506	Not Used			
507	2400065	1	Fuse, 30Amp	
508	2400066	1	Fuse, Holder	
509	4460708	2	Receptacle, Female - 15 Position	
	4460226	13	Socket, Female	
510	Not Used			
511	4922771	1	Harness, Angle Sensor (Boom Proximity Sensor)	
	1060902	9.5ft/2.9m	Cable - 18/2	
511A	4460226	2	Socket, Female	

## SECTION 7 ELECTRICAL

**FIGURE 7-2. HARNESS COMPONENTS INSTALLATION (CONTINUED)**

ITEM #	PART NUMBER	QTY.	DESCRIPTION	REV.
511B	4460424	1	Receptacle, Female - 2 Position	
512	Not Used			
513	4460894	1	Plug, Male - 6 Position	
	4460892	1	Connector, Bussbar - 6 Position	
		Ref.	<b>STANDARD HARNESS COMPONENTS</b>	
601		1	Battery Cable Kit Options:	
	1001112762		Caterpillar Engines Machines	B
	2902401		Deutz Engines Machines	B
	2902533		GM Engine Machines	C
601A		1	Cable, Battery (Red) Options:	
	7027028		Caterpillar Engines Machines (Battery to Glow Plug Relay to Aux Relay to Starter)	
	7027027		Deutz Engines Machines (Battery to Start Relay to Aux Relay to Glow Plug Relay to Starter)	
	7027015		GM Engine Machines (Battery to Aux Relay to Starter)	
601B		1	Cable, Battery (Black) Options:	
	7027029		Caterpillar Engines Machines	
	7027004		Deutz Engines Machines	
	7027018		GM Engine Machines	
601C		1	Cable (Red) Options:	
	7027030		Caterpillar Engines Machines	
	7016824		Deutz & GM Engines Machines	
601D		1	Cable, Battery (Red) Options:	
	Not Required		Caterpillar & Deutz Engines Machines	
	7027017		GM Engine Machines	
601E		1	Cable (Black) Options:	
	7027031		Caterpillar Engines Machines	
	7016825		Deutz & GM Engine Machines	
602	See Note	A/R	Deutz Engine Harness Components (Deutz Engine Machines Only) <b>(Note: Not Available - Purchase Individual Components.)</b>	
602A	7027796	1	Deutz Engine Harness	
602B	4461052	1	Receptacle, Female - 25 Position	
	4461053	1	Cover, Receptacle	
	4461005	5	Terminal	
	4461006	5	Seal (Used with p/n 4461005)	
	4461060	2	Terminal	
	4461054	2	Seal (Used with p/n 4461060)	
	4461008	18	Plug, Hole	
602C	7027793	1	Plug-In, Connector	
602D	70001872	1	Deutz Tier III Engine Harness (For other replacement parts refer to Deutz engine dealer):	
603	See Note	1	Fuel Pump Harness (Caterpillar Engines Only) <b>(Note: Not Available for Purchase.)</b>	
	4460897	1	Receptacle, Female -2 Position (Caterpillar Engines Only)	
	4460464	2	Pin, Male (Caterpillar Engines Only)	
604	1001112071	1	Caterpillar Engine Harness Components (Caterpillar Engine Machines Only)	B

## SECTION 7 ELECTRICAL

**FIGURE 7-2. HARNESS COMPONENTS INSTALLATION (CONTINUED)**

ITEM #	PART NUMBER	QTY.	DESCRIPTION	REV.	
604A	4460894	1	Plug, Male - 6 Position		
	4460465	5	Socket, Female		
	4460466	1	Seal, Plug		
604B	4460891	1	Plug, Male - 2 Position		
	4460465	2	Socket, Female		
604C	4460891	1	Plug, Male - 2 Position		
	4460465	2	Socket, Female		
604D	70020808	1	Plug, Male - 23 Position		
	70020809	16	Socket, Female		
604E	See Note	1	Connector - 8 Position <b>(Note: Not Available for Purchase.)</b>		
604F	See Note	1	Connector - 5 Position <b>(Note: Not Available for Purchase.)</b>		
605	See Note	1	Pump Harness <b>(Note: Not Available for Purchase.)</b>		
605A	7007497	1	Plug (Pump End)		
605B	7007498	1	Plug (Engine Harness End)		
606	See Note	1	Controller Harness Assembly (Lift and Swing) <b>(Note: Not Available for Purchase.)</b>		
606A	7022819	1	Plug, Male - 8 Position (Natural)		
	4460871	8	Socket, Female		
607	See Note	1	Controller Harness/Circuit Board Assembly (Drive and Steer) <b>(Note: Not Available for Purchase.)</b>		
607A	7022825	1	Plug, Male - 8 Position (Black)		
	4460871	7	Socket, Female		
608	See Note	1	Controller Harness (Speed Control) <b>(Note: Not Available for Purchase.)</b>		
608A	4460224	1	Receptacle, Female - 6 Position		
	4460226	6	Socket, Female		
609	4923379	1	Harness, Glowplug		
610	7027991	A/R	GM Engine Harness Components (GM Engine Machines Only)		
611	Use 1001135114	2	Switch, Tilt Sensor Options: (Includes Tilt Sensor) USA Built Machines S/N 0300140000 to S/N 0300161730 Only & China Built Machines S/N B300000100 to S/N B300000640 Only (was p/n 4360544)		
	4460911	2	Plug, Male Deutsch - 3 Position		
	4460918	6	Socket, Female		
	4460912	2	Lock, Wedge		
	1001133329		USA Built Machines S/N 0300161730 to Present Only & China Built Machines S/N B300000640 to Present Only		
	4460910	2	Plug, Male Deutsch - 3 Position		
	4460917	6	Socket, Female		
	4460913	2	Lock, Wedge		
	612	4360517	1	Harness, Boom Proximity Sensor (Includes Sensor)	
	612A	4460320	1	Plug, Male - 2 Position	
4460227		2	Pin, Male		
613	4360517	1	Harness, Swivel Coupling Sensor (Includes Sensor)		
613A	4460320	1	Plug, Male - 2 Position		
	4460227	2	Pin, Male		
614	1060904	1	Cable, Battery (Deutz Engine Machines Only) (USA Built Machines S/N 0300140000 to S/N 0300140567 Only)		

## SECTION 7 ELECTRICAL

**FIGURE 7-2. HARNESS COMPONENTS INSTALLATION (CONTINUED)**

ITEM #	PART NUMBER	QTY.	DESCRIPTION	REV.
		Ref.	<b>OPTIONAL HARNESS COMPONENTS</b>	
701 to 702	Not Used			
703	0257887	1	Alarm Harness (Includes Alarm)	
	0140032	1	Alarm	
	2820035	6in/15cm	Loom	
703A	4460424	1	Plug, Male - 2 Position	
	4460268	2	Socket, Female	
704	0272507	1	Strobe Light Harness Options (Includes Strobe Light):	
704A	4460320	1	Connector, Female - 2 Position	
	4460267	2	Pin, Male	
705	See Note	1	Headlight & Taillight/Chassis Illumination Harness ( <b>Note: Not Available for Purchase.</b> )	
	1060341	A/R	Cable, Electrical 16/2 Options:	
		37ft/11.3m	Headlights & Taillights	
		40ft/12.2m	Chassis Illumination Lights	
705A	3740049	1	Relay	
	4460259	3	Terminal	
	4460260	4	Housing, Terminal	
	4460297	1	Terminal	
	4922643	1	Lights Harness for Ground Control Box	1/A
	4460226	2	Socket, Female	
706		A/R	2500W Generator Electrical Components	
	1001112588		ANSI Specs - Caterpillar/Deutz Engines Only	A
	1001112743		ANSI Export Specs - Caterpillar/Deutz Engines Only	B
	4933350		ANSI Specs - GM Engines Only	B
706A	4460321	1	Connector, Male - 4 Position (ANSI Spec Only)	
	4460906	4	Socket, Female	
706B	4922641	1	Harness - On/Off Switch	
706C	4460226	2	Socket, Female	
706D		1	Powermite Control Box to Relay Options:	
	1001112589		Caterpillar & Deutz Engines	
	4923445		GM Engines	
	4460374	1	Plug, Sealed Relay	
	4460375	3	Terminal	
	4460742	1	Plug, Male - 2 Position	
	4460743	1	Socket, Female	
	4460458	1	Seal, Terminal	
706E	4460961	1	Connector, Female - 4 Position (ANSI Spec Only)	
	4460705	4	Pin, Male	
706F	4460742	1	Plug, Male - 2 Position (GM Engine Only)	
	4460743	2	Socket, Female (GM Engine Only)	
	4460458	2	Seal, Terminal (GM Engine Only)	
706G	7020193	1	Harness, Generator Power	
707	4922741	1	Generator to Rear of Boom Harness	
		Ref.	<b>Note: Harness used to connect AC at platform harness to Powermite Generator Control Box receptacle.</b>	
	1060708	6ft/1.8m	Cable, Electrical - 10/3	
707A	4460205	1	Plug, Male	
707B	4460134	1	Receptacle, Female	

## SECTION 7 ELECTRICAL

**FIGURE 7-2. HARNESS COMPONENTS INSTALLATION (CONTINUED)**

ITEM #	PART NUMBER	QTY.	DESCRIPTION	REV.
708			AC to Platform Receptacle Components Options:	
	0272259	Ref.	110V GFI Receptacle (ANSI Spec)	B
	0272260	Ref.	220V GFI Receptacle (ANSI Spec)	B
	0256202	Ref.	Australian Spec	B
		Ref.	CE Spec Options Without Powermite Generator:	
	0256202	Ref.	110/220V Receptacle (Locally Supplied Box & Receptacle)	B
	1001091969	Ref.	110V with IEC Yellow Receptacle & Plug & Circuit Breaker	B
	1001091970	Ref.	220V with IEC Blue Receptacle & Plug & Circuit Breaker	B
	1001091971	Ref.	220V with CEE 7 Post Ground Receptacle & Plug & Circuit Breaker (70mm x 70mm Box)	B
	1001091972	Ref.	220V with CEE 7 Side Ground Receptacle & Plug & Circuit Breaker (70mm x 70mm Box)	B
	1001091973	Ref.	220V with CEE 7 Post Ground Receptacle & Plug & Circuit Breaker (2x4 Box)	C
	1001091974	Ref.	220V with CEE 7 Side Ground Receptacle & Plug & Circuit Breaker (2x4 Box)	C
	1001091975	Ref.	220V with AFSINT 107 Keyed Ground Receptacle & Plug & Circuit Breaker (2x4 Box)	C
		Ref.	CE Spec Options With Powermite Generator:	
	1001100326	Ref.	110V with IEC Yellow Receptacle & Plug & Circuit Breaker	B
	1001100327	Ref.	220V with IEC Blue Receptacle & Plug & Circuit Breaker	B
	1001100328	Ref.	220V with CEE 7 Post Ground Receptacle & Plug & Circuit Breaker (70mm x 70mm Box)	B
	1001100329	Ref.	220V with CEE 7 Side Ground Receptacle & Plug & Circuit Breaker (70mm x 70mm Box)	B
	1001100331	Ref.	220V with CEE 7 Post Ground Receptacle & Plug & Circuit Breaker (2x4 Box)	B
	1001100333	Ref.	220V with CEE 7 Side Ground Receptacle & Plug & Circuit Breaker (2x4 Box)	B
	1001100337	Ref.	220V with AFSINT 107 Keyed Ground Receptacle & Plug & Circuit Breaker (2x4 Box)	B
708A		1	Box, Switch Options:	
	0860038		0272259 & 0272260 Installations	
	Not Required		0256202 Installation	
	0861781		1001091969, 1001091970, 1001100326, 1001100327 Installations	
	See Note		1001091971, 1001100328, 1001091972, 1001100329 Installations <b>(Note: Was p/n0861782 which is no longer available. Use p/n 1001141970 CEE 7 Side Ground Service Kit or p/n 1001141971 CEE 7 Post Ground Service Kit. Kits includes Box p/n 1001141967 &amp; items 708B, 708C, 708E &amp; 708J.)</b>	
	0861731		1001091969, 1001091970, 1001100326, 1001100327 Installations	
	1001141967		1001100343, 1001100344, 1001141970 & 1001141971 Kits	
708B		1	Receptacle Options:	
	4460346		0272259 Installation	
	4460125		0272260 Installation	
	Not Required		0256202 Installation	
	4461198		1001091969, 1001100326 Installations	
	4461201		1001091970, 1001100327 Installations	



# SECTION 7 ELECTRICAL

**FIGURE 7-2. HARNESS COMPONENTS INSTALLATION (CONTINUED)**

ITEM #	PART NUMBER	QTY.	DESCRIPTION	REV.
708B cont'd	Use 100110343		1001091971, 1001100328 Installations (was p/n 4461204)	
	Use 100110344		1001091972, 1001100329 Installations (was p/n 4461207)	
	4461244		1001091973, 1001100331 Installations	
	4461245		1001091974, 1001100333 Installations	
	4461246		1001091975, 1001100337 Installations	
	1001141968 1001141969		1001100343 & 1001141971 Kits 1001100344 & 1001141970 Kits	
708C	1001110873 4060092 Not Required Purchase Receptacle	1	Shield, Cover Options: 0272259 Installation 0272260 Installation 0256202 Installation (Purchase Locally) 1001091973,1001091974,1001091975,1001091969, 1001091970,1001091971,1001091972,1001100331, 1001100333,1001100337,1001100326,1001100327, 1001100328 & 1001100329 Installations	
708D	3960422	1	Gasket, Cover (0272259 & 0272260 Installation Only)	
	4460051 Not Required 1001101191	1	Connector, Strain Relief Options: 0272259 & 0272260 Installations 0256202 Installation 1001091969, 1001100326, 1001091970, 1001100327 1001091971, 1001100328, 1001091972, 1001100329, 1001091973, 1001100331, 1001091974, 1001100333, 1001091975 & 1001100337 Installations	
708E	4460205 4460233 Not Required 4461196 4461199 4461202 4461205 4461249 Not Required	1	Plug, Male Options: 0272259 Installation 0272260 Installation 0256202 Installation 1001091969 Installation 1001091970 Installation 1001091971, 1001091973 Installations & 1001100343 & 1001141971 Kits 1001091972, 1001091974 Installations & 1001100344 & 1001141970 Kits 1001091975 Installation 1001100326, 1001100327, 1001100328, 1001100329, 1001100331, 1001100333 & 1001100337 Installations	
708F	4460205 4460233 4460709	1	Plug, Male Options: 110V GFI (ANSI Spec) 220V GFI (ANSI Spec) ANSI Export, Australian & CE Specs	
708G	4460134 4460701 4460710	1	Connector, Female Options: 110V GFI (ANSI Spec) 220V GFI (ANSI Spec) ANSI Export, Australian & CE Specs	
708H	Not Required Not Required	1	Connector, Adapter Options: 0272259 & 0272260 Installations 0256202 Installation	

## SECTION 7 ELECTRICAL

**FIGURE 7-2. HARNESS COMPONENTS INSTALLATION (CONTINUED)**

ITEM #	PART NUMBER	QTY.	DESCRIPTION	REV.
708H cont'd	1001101196	1	1001091969, 1001100326, 1001091970, 1001100327, 1001091971, 1001100328, 1001091972, 1001100329 Installations	
	1001101197		1001091973, 1001100331, 1001091974, 1001091975 & 1001100337 Installations	
708J		1	Receptacle, Female Options (CE Specs with With Powermite Generator Control Box Only):	
	4461197		1001100326 Installation	
	4461200		1001100327 Installation	
	4461203		1001100328 & 1001100331 Installations & 1001100343 & 1001141971 Kits	
	4461206		1001100329 & 1001100333 Installations & 1001100344 & 1001141970 Kits	
	4461250		1001100337 Installation	
708K		Ref.	----- Receptacle Box Kit Options (CE Specs Only):	1
			<b>Without Powermite Generator (Includes Items 708A,708B, 708C &amp; 708E):</b>	
	0275216		Kit for 110V IEC Yellow (1001091969 Installation)	1
	0275217		Kit for 220V IEC Blue (1001091970 Installation)	1
	Use 1001100343		Kit for 220V CEE 7 Post Ground (1001091971 Installation) (was p/n 0275218)	B/B
	Use 1001100344		Kit for 220V CEE 7 Side Ground (1001091972 Installation) (was p/n 0275219)	B/B
	0275452		Kit for 220V CEE 7 Post Ground (1001091973 Installation)	1
	0275453		Kit for 220V CEE 7 Side Ground (1001091974 Installation)	1
	0275454		Kit for 220V AFSINT 107 Keyed Ground (1001091975 Installation)	1
		Ref.	<b>With Powermite Generator (Includes Items 708A,708B, 708C, 708E &amp; 708J):</b>	
	1001100341		Kit for 110V IEC Yellow (1001100326 Installation)	2
	1001100342		Kit for 220V IEC Blue (1001100327 Installation)	2
	1001100343		Kit for 220V CEE 7 Post Ground (1001100328 Installation) (was p/n 1001101971 Kit)	B
	1001100344		Kit for 220V CEE 7 Side Ground (1001100329 Installation) (was p/n 1001101970 Kit)	B
	1001100345		Kit for 220V CEE 7 Post Ground (1001100331 Installation)	2
	1001100347		Kit for 220V CEE 7 Side Ground (1001100333 Installation)	2
	1001100346		Kit for 220V AFSINT 107 Keyed Ground (1001100337 Installation)	2
708L	1671092	2	Cover, Connector (ANSI Export, Australian & CE Specs) (USA Built Machines S/N 0300167882 to Present & China Built Machines S/N B300000724 to Present)	
708M	1671093	1	Cover, Plug (ANSI Export, Australian & CE Specs) (USA Built Machines S/N 0300167882 to Present & China Built Machines S/N B300000724 to Present)	

## SECTION 7 ELECTRICAL

**FIGURE 7-2. HARNESS COMPONENTS INSTALLATION (CONTINUED)**

ITEM #	PART NUMBER	QTY.	DESCRIPTION	REV.
709		Ref.	7500W SkyPower Generator Installation	
	1001115398	Ref.	60Hz & Caterpillar Engine	A
	1001115400	Ref.	50Hz Spec & Caterpillar Engine	A
	1001115388	Ref.	60Hz & Deutz Engine	A
	1001115394	Ref.	50Hz Spec & Deutz Engine	A
	0275257	Ref.	60Hz Spec & GM Engine	F
			Ref.	<b>Note: SkyPower generator is standard on ANSI &amp; CSA Specs. Optional on All Other Specs.</b>
709A		1	Receptacle, Female Twist-Lock Options:	
	4460958		60Hz Spec	
	See Note		50Hz Spec ( <b>Note: Not Available - Purchase Locally.</b> )	
709B		2	Gasket Options:	
	3960422		60Hz Spec	
	See Note		50Hz Spec ( <b>Note: Not Available - Purchase Locally.</b> )	
709C		1	Cover, Receptacle Options:	
	1001110873		60Hz Spec (Top Hinged Cover)	
	See Note		50Hz Spec ( <b>Note: Not Available - Purchase Locally.</b> )	
709D		1	Cover, Receptacle Options:	
	1001110872		60Hz Spec (Top Hinged Cover)	
	See Note		50Hz Spec ( <b>Note: Not Available - Purchase Locally.</b> )	
709E		1	Receptacle Options:	
	4460346		60Hz Spec	
	See Note		50Hz Spec ( <b>Note: Not Available - Purchase Locally.</b> )	
709F	4460051	1	Connector, Strain Relief	
709G	4460071	1	Connector, Strain Relief	
709H	4922925	1	Harness, Generator	
709J	See Note	1	Plug, Male - 6 Position ( <b>Note: Not Available for Purchase.</b> )	
	See Note	6	Socket, Female ( <b>Note: Not Available for Purchase.</b> )	
709K	4460225	1	Plug, Male - 6 Position	
	4460226	6	Socket, Female	
710		Ref.	7500W SkyPower Generator Junction Box Components	
	0861542	Ref.	60Hz Spec	C
	0861567	Ref.	50Hz Specs	B
710A		2ft/.6m	Cable, Electrical 12/3	
	1060494		60Hz Spec	
	See Note		50Hz Spec ( <b>Note: Not Available - Purchase Locally.</b> )	
710B		2.5ft/.76m	Cable, Electrical 10/3	
	1060708		60Hz Spec	
	See Note		50Hz Spec ( <b>Note: Not Available - Purchase Locally.</b> )	
710C	1060343	1.5ft/.46m	Cable, Electrical 10/4 (60Hz Spec Only)	
710D	4460425	2	Connector, Strain Relief	
710E		A/R	Component Options:	
	4460426	2	Connector, Strain Relief (60Hz Spec Only)	
	4460426	1	Connector, Strain Relief (50Hz Spec Only)	
	3520189	1	Plug (50Hz Spec Only)	
710F	1671092	1	Cover (60Hz Spec Only)	
	4460963	1	Connector (60Hz Spec Only)	

## SECTION 7 ELECTRICAL

**FIGURE 7-2. HARNESS COMPONENTS INSTALLATION (CONTINUED)**

ITEM #	PART NUMBER	QTY.	DESCRIPTION	REV.
711		Ref.	7500W Generator Electrical Diagram Components	
	1001112586	Ref.	Caterpillar & Deutz Engine Machines	A
	4933349	Ref.	GM Engine Machines	1/A
711A		1	Generator Harness Options:	
	1001112587		Caterpillar & Deutz Engine Machines	A
	4923420		GM Engine Machines	1/A
711B	4460374	2	Plug, Sealed Relay	
	4460375	7	Terminal	
711C	4460967	1	Plug, Male - 3 Position	
	4460465	3	Socket, Female	
711D	2400060	1	Fuseholder	
	2400064	1	Fuse - 5 Amp	
711E	4922641	1	Switch Harness	
711F	4460226	2	Socket, Female	
711G	4460742	1	Plug, Male - 2 Position (GM Engine Only)	
	4460743	2	Socket, Female (GM Engine Only)	
712	4933249	1	Floodlights Harness Components	2/A
712A	4460320	2	Plug, Male - 2 Position	
	4460227	4	Pin, Male	
712B	4922764	1	Floodlight Harness (Lights to Switch)	1/A
712C	4460424	2	Connector, Female - 2 Position	
	4460226	4	Socket, Female	
712D	4360232	1	Circuit Breaker - 15 Amp	
712E	1060977	1	Cord, 2 Wire Coiled (Console Box Circuit Breaker to Switch)	
712F	4460425	1	Connector, Strain Relief	
712G	4922883	1	Harness, Console Box to Aux Relay	
	1060708	120ft/36.6M	10/3 Cable	
713		A/R	Platform Worklights Components	
713A	2920140	A/R	Platform Worklights External Harness (Includes Light & Wire Only)	
713B	4460426	1	Connector, Strain Relief	
713C		1	Fuse Options:	
	2400070		20Amp Fuse (2 Worklights)	
	2400065		30Amp Fuse (4 Worklights)	
	2400066	1	Holder, Fuse	
713D	4922874	A/R	Harness, Console Box to Connector Options:	
		1	2 Worklights	
		3	4 Worklights	
	1060708	11ft/3.4m	10/3 Cable (1 per Harness)	
713E		1	Harness, Connector to Aux Relay Options:	
	4922873		800S Harness (85ft/25.9m of 10/3 Cable P/N 1060708)	
	4922877		860SJ Harness (92ft/28m of 10/3 Cable P/N 1060708)	
713F	1001098234	1	Connector, Female - 3 Position (Platform Worklights Only)	
713G	1001098349	1	Connector, Male - 3 Position (Platform Worklights Only)	
714		Ref.	AC Cable With Breaker (Required Only on CE Spec Installations)	
	1001091790	Ref.	Without Powermite Generator	D
	1001109559	Ref.	With Powermite Generator	A

## SECTION 7 ELECTRICAL

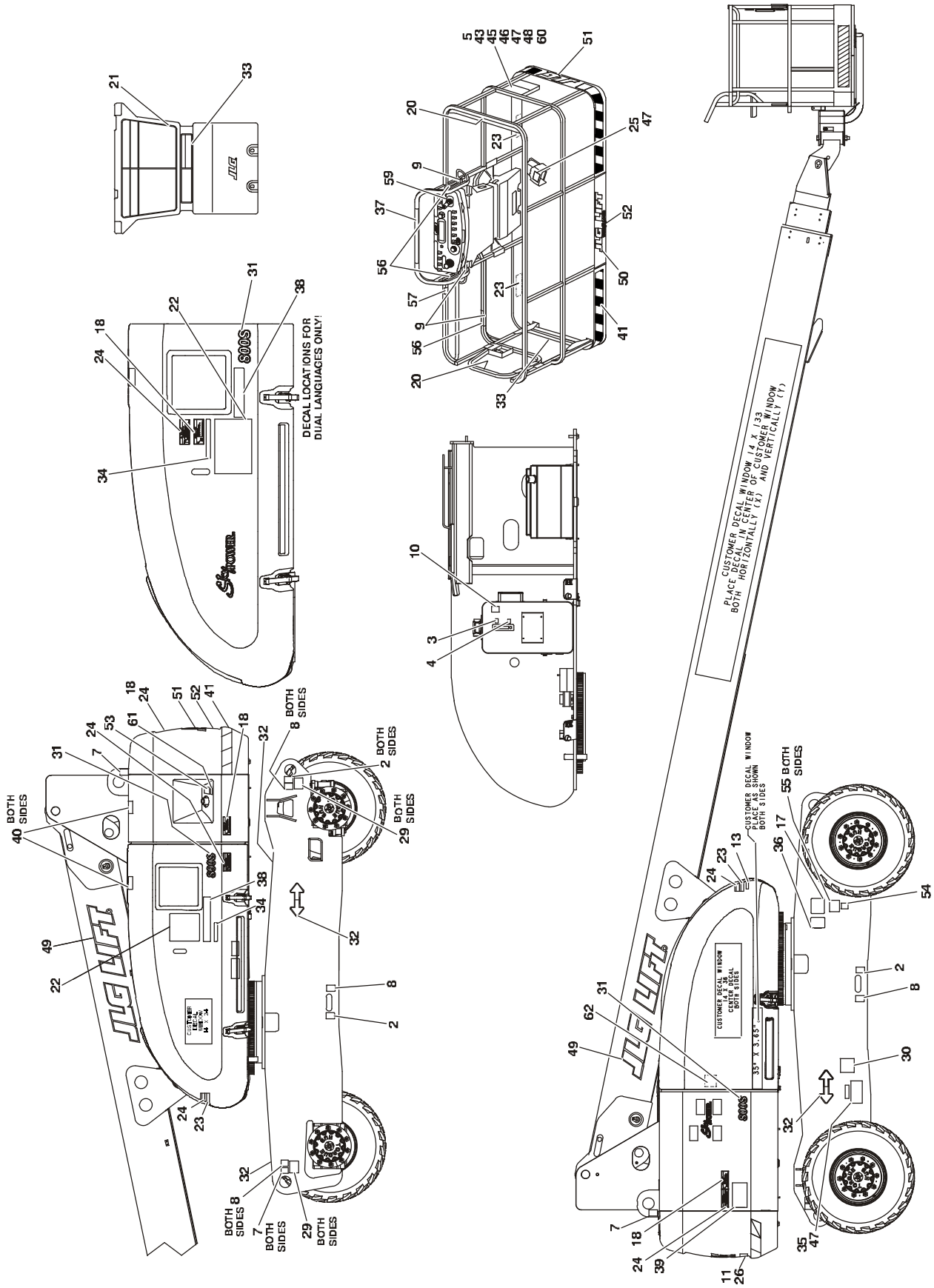
**FIGURE 7-2. HARNESS COMPONENTS INSTALLATION (CONTINUED)**

ITEM #	PART NUMBER	QTY.	DESCRIPTION	REV.	
714A	0903484	1	Bracket, Receptacle Box Mounting		
	0641416	2	Bolt 1/4in-20NC x 2in		
	3311405	2	Locknut 1/4in-20NC		
	4711400	4	Flatwasher 1/4in (Narrow)		
714B	0903697	1	Bracket, Circuit Breaker Mounting		
	0641412	2	Bolt 1/4in-20NC x 1-1/2in		
	3311405	2	Locknut 1/4in-20NC		
	4711400	4	Flatwasher 1/4in (Narrow)		
714C		A/R	Kit, Box & Breaker (Required on CE Spec Installations):		
	1001109654		Machines without Powermite Generator Control Box	A	
	1001109648		Machines with Powermite Generator Control Box	A	
		1	Circuit Breaker		
	1001109477	1	Breaker 10A		
	1001109475	1	Breaker 16A		
	1001109482	1	Breaker 30mA		
	0861880	1	Breaker Box		
	4460956	1	Terminal, Block End Barrier		
	1060908	6ft/1.8m	Cable, Extension		
	4460957	1	Terminal Block		
	714D		A/R	Connector, Strain Relief Options:	
		1001101191	1	Top	
1001097150		1	Bottom		
0641406		2	Bolt 1/4in-20NC x 3/4in		
3311405		2	Locknut 1/4in-20NC		
4711400		4	Flatwasher 1/4in (Narrow)		
714E		1060908	12ft/3.6m	Cable, Electrical 12/3	
714F		4460709	1	Plug, Male	
714G	4460710	1	Connector, Female		
715	1001094509	1	Generator Hourmeter Harness	A	
		Ref.	<b>TOOLS</b>		
801	7002821	1	Crimper (For Wire to Pin/Socket Connections) (Not Shown)		
802	7002823	1	Extractor (For Removal of Pin/Socket from Connectors) (Not Shown)		
803	4460467	1	Extractor, Pin (Blue 16-18 Gauge) (For Removal of Pin/Socket from Connectors) (Not Shown)		
804	4460510	1	Extractor, Pin (Yellow 12-14 Gauge) (For Removal of Pin/Socket from Connectors) (Not Shown)		
805	7002828	1	Stripper, Wire (Not Shown)		
806	2901443	1	Analyzer Kit (Not Shown)		
806A	1600244	1	Analyzer		
806B	1060633	1	Cable, Analyzer	1/A	
806C	4460321	2	Plug, Male		
	4460226	8	Socket, Female		

# **SECTION 8 DECALS**

# SECTION 8 DECALS

## FIGURE 8-1. DECAL INSTALLATION (ANSI SPEC)



**FIGURE 8-1. DECAL INSTALLATION (ANSI SPEC)**

ITEM #	PART NUMBER	QTY.	DESCRIPTION	REV.
		Ref.	<b>STANDARD DECAL INSTALLATIONS</b>	
	0274499	Ref.	<b>800S</b>	11
	0274500	Ref.	<b>860SJ</b>	11
	0274518	Ref.	<b>JLG Logo Decals</b>	1
1	Not Used			
2	1701499	4	Decal - No Lift	
3 to 4	Not Used			
5	1701509	1	Decal - Manual	
6	Not Used			
7	1703811	4	Decal - Tie Down/Lift	
8	1703814	6	Decal - Tie Down	
9	1704277	4	Decal - Attach Lanyard Here	
10	1704412	1	Decal - Hydraulic Oil Chart	
11 to 12	Not Used			
13	3251243	1	Nameplate - 120V-60HZ	
14 to 17	Not Used			
18	1703953	4	Decal - Warning Crushing	
19	Not Used			
20	1702868	2	Decal - No Hands	
21	1703797	1	Decal - Warning/Danger	
22	1705336	1	Decal - Warning Inspection (MTB)	
23	1703804	4	Decal - Warning Crushing	
24	1703805	4	Decal - Danger Electrocution	
25	3252347	1	Decal - Footswitch	
26	3251813	1	Decal - USA (USA Built Machines S/N 0300140000 to S/N 0300151568 Only & China Built Machines S/N B300000100 to S/N B300000357 Only)	
27	Not Used			
28	2902354	1	Kit, Decal Max Tire Load - 800S (Includes Qty 4 of p/n 1703475)	1
	1703475	4	Decal - Max Tire Load	
	2902429	1	Kit, Decal Max Tire Load - 860SJ (Includes Qty 4 of p/n 1703482)	1
	1703482	4	Decal - Max Tire Load	
29	Not Used			
30	See Note	1	Decal - Bar Code <b>(Note: Not Available for Purchase.)</b>	
31		2	Decal Options:	
	1704906		Decal - 800S	
	1704907		Decal - 860SJ	
32	1701501	4	Decal- Arrow	
33		2	Decal Capacity Options:	
	1705088		800S - Decal - 500LBS Unrestricted Capacity USA Built Machines S/N 0300140000 to S/N 0300143294 Only & China Built Machines S/N B300000100 to S/N B300000153 Only	
	1001122507		USA Built Machines S/N 0300143294 to Present Only & China Built Machines S/N B300000153 to Present Only	



## SECTION 8 DECALS

**FIGURE 8-1. DECAL INSTALLATION (ANSI SPEC) (CONTINUED)**

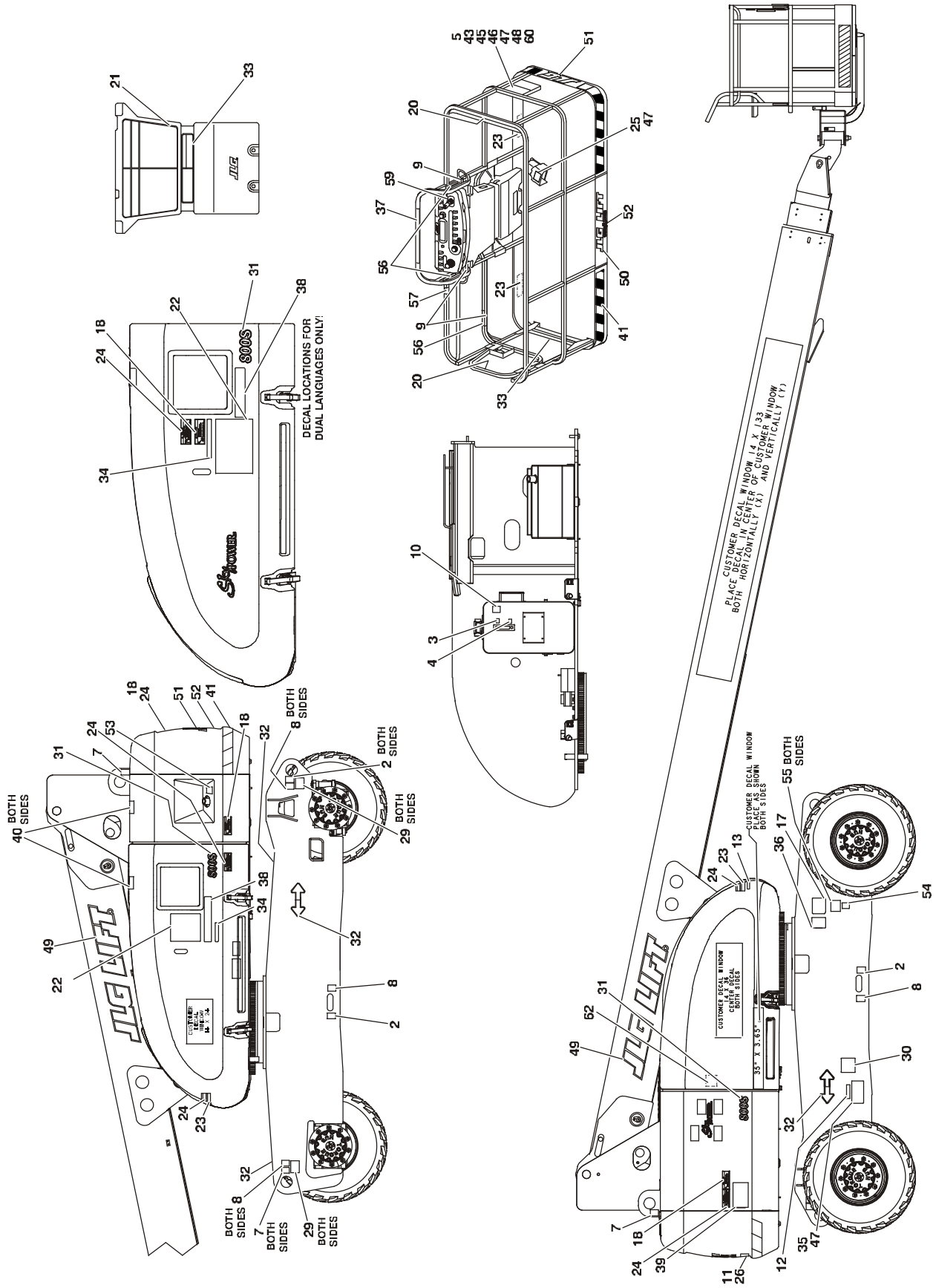
ITEM #	PART NUMBER	QTY.	DESCRIPTION	REV.
33	Continued	2	Decal Capacity Options: 860SJ - Decal - 500LBS Maximum Capacity USA Built Machines S/N 0300140000 to S/N 0300143294 Only & China Built Machines S/N B300000100 to S/N B300000153 Only	
	1704995			
	1001122508		USA Built Machines S/N 0300143294 to Present Only & China Built Machines S/N B300000153 to Present Only	
34		1	Decal Capacity Options: 800S - Decal - 500LBS Unrestricted Capacity: USA Built Machines S/N 0300140000 to S/N 0300143294 Only & China Built Machines S/N B300000100 to S/N B300000153 Only	
	1707016			
	1001122515		USA Built Machines S/N 0300143294 to Present Only & China Built Machines S/N B300000153 to Present Only	
	1707015		860SJ - Decal - 500LBS Maximum Capacity: USA Built Machines S/N 0300140000 to S/N 0300143294 Only & China Built Machines S/N B300000100 to S/N B300000153 Only	
	1001122516		USA Built Machines S/N 0300143294 to Present Only & China Built Machines S/N B300000153 to Present Only	
35	See Note	1	Nameplate, Manufactures <b>(Note: Not Available for Purchase.)</b>	
36		1	Decal - Patent Options: USA Built Machines S/N 0300140000 to S/N 0300151568 Only & China Built Machines S/N B300000100 to S/N B300000357 Only	
	1700584			
	1001131269		USA Built Machines S/N 0300151568 to Present Only & China Built Machines S/N B300000357 to Present Only	
37	1001108496	1	Decal - Legend Options:	
38	1706941	1	Decal - Legend (MTB)	
39	3252781	1	Decal - Lift Diagram	
40	1701691	4	Decal - No Step	
41 to 42	Not Used			
43	0641408	1	Bolt 1/4in-20NC x 1in (USA Built Machines S/N 0300140000 to S/N 0300143929 & China Built Machines S/N B300000100 to S/N B300000203)	
44	0860520	1	Box, Manual Storage	
45	1060279	1	Cable, Lanyard (USA Built Machines S/N 0300140000 to S/N 0300143929 & China Built Machines S/N B300000100 to S/N B300000203)	
46	3311405	A/R	Locknut 1/4in	
47	3820001	2	Rivet	
48	4751400	A/R	Flatwasher 1/4in	
49	1702861	2	Decal - JLG Lift (8in Height)	
50	1702774	1	Decal - JLG Lift (3-1/2in Height)	
51	1702773	1	Decal - JLG (5in Height)	
52	1704885	2	Decal - Website	
53		1	Decal - Fuel	
	1701505		Diesel	
	1701542		Gas	
54	1701543	1	Decal - LP Gas (GM Engine Machines Only)	
55	1700818	2	Decal - LP Gas (Liquid) (GM Engine Machines Only)	
56	1703175	1	Decal - Lanyard Attach (GM Spec)	

**FIGURE 8-1. DECAL INSTALLATION (ANSI SPEC) (CONTINUED)**

ITEM #	PART NUMBER	QTY.	DESCRIPTION	REV.
57	1702962	1	Decal - Warning Prop (DSL)	
58	1702961	1	Decal - Warning Prop (Gas)	
59	1705351	1	Decal - Drive/Steer Instructions	
60	0641406	1	Bolt 1/4in-20NC x 3/4in	
61	1001108923	1	Decal - Low Sulfur Fuel (Caterpillar & Deutz Machines)	
62	1704972	1	Decal - Warning Explosion/Fire	
	1001109029	1	Master Decal Kit (Includes Items 2, 5, 7-10 & 13)	
	2902307	1	ANSI Decal Kit (Includes Items 17-26)	6

# SECTION 8 DECALS

## FIGURE 8-2. DECAL INSTALLATION (COUNTRY SPEC)



**FIGURE 8-2. DECAL INSTALLATION (COUNTRY SPEC)**

ITEM #	PART NUMBER	QTY.	DESCRIPTION	REV.
		Ref.	<b>DECAL INSTALLATIONS</b>	
	0274505	Ref.	<b>800S Brazil Spec (English/Portuguese)</b>	11
	0274503	Ref.	<b>800S Chinese Spec (English/Chinese)</b>	9
	0274507	Ref.	<b>800S CSA Spec (English/French)</b>	10
	0274511	Ref.	<b>800S Japanese Spec (English/Japanese)</b>	9
	0274501	Ref.	<b>800S Korean Spec (English/Korean)</b>	9
	0274513	Ref.	<b>800S Latin America Spec (English/Spanish)</b>	10
	0274506	Ref.	<b>860SJ Brazil Spec (English/Portuguese)</b>	12
	0274504	Ref.	<b>860SJ Chinese Spec (English/Chinese)</b>	10
	0274508	Ref.	<b>860SJ CSA Spec (English/French)</b>	11
	0274512	Ref.	<b>860SJ Japanese Spec (English/Japanese)</b>	10
	0274502	Ref.	<b>860SJ Korean Spec (English/Korean)</b>	10
	0274514	Ref.	<b>860SJ Latin America Spec (English/Spanish)</b>	11
	0274518	Ref.	<b>JLG Logo Decals</b>	1
1	Not Used			
2	1701499	4	Decal - No Tie Down /Lift	
3 to 4	Not Used			
5	1701509	1	Decal - Manual	
6	Not Required			
7	1703811	4	Decal - Tie Down /Lift	
8	1703814	6	Decal - Tie Down	
9	1704277	3	Decal - Attach Lanyard	
10	1704412	1	Decal - Hydraulic Oil Chart	
11	Not Required			
12		1	Decal - CSA (Booms)	
	Not Required		Brazil/Chinese/Japanese/Korean/Latin American Spec	
	1703924		CSA Spec	
13		1	Decal Options:	
	Not Required		Brazil/Chinese/Korean Spec	
	3251243		120V-60Hz - CSA/Japanese/Latin American Spec	
14 to 16	Not Used			
17		1	Decal - Inspection Options:	
	1705901		Brazil Spec (English/Portuguese) (USA Built Machines S/N 0300140000 to S/N 0300151568 Only & China Built Machines S/N B300000100 to S/N B300000357 Only)	
	Not Required		Chinese/Japanese/Korean Spec	
	1704006		CSA Spec (English/Portuguese) (USA Built Machines S/N 0300140000 to S/N 0300151568 Only & China Built Machines S/N B300000100 to S/N B300000357 Only)	
	1704007		Latin American Spec (USA Built Machines S/N 0300140000 to S/N 0300151568 Only & China Built Machines S/N B300000100 to S/N B300000357 Only)	
18		A/R	Decal - Warning Crushing (Rotate) Options:	
	1705903	1	Brazil Spec (English/Portuguese)	
	1703943	7	Chinese Spec	
	1703942	7	CSA Spec	
	1703944	6	Japanese Spec	
	1703945	6	Korean Spec	
	1703941	7	Latin American Spec	

## SECTION 8 DECALS

**FIGURE 8-2. DECAL INSTALLATION (COUNTRY SPEC) (CONTINUED)**

ITEM #	PART NUMBER	QTY.	DESCRIPTION	REV.
19	Not Used			
20	1705967 1001116846 1705968 1704000 Not Required 1705969 1704001	2	Decal - No Hands Options: Brazil Spec (English/Portuguese) Chinese Spec (Traditional) Chinese Spec (Simplified) CSA Spec Japanese Spec Korean Spec Latin American Spec	
21	1705895 1703925 1703924 1703926 1703927 1703923	1	Decal - Warning/Danger (PLF) Options: Brazil Spec (English/Portuguese) Chinese Spec CSA Spec Japanese Spec Korean Spec Latin American Spec	
22	1705896 1001116849 1705348 1705347 1705344 1705345 1705917	1	Decal - Warning Inspection (MTB) Options: Brazil Spec (English/Portuguese) Chinese Spec (Traditional) Chinese Spec (Simplified) CSA Spec Japanese Spec Korean Spec Latin American Spec	
23	1705898 1703949 1703948 1703950 1703951 1703947	6	Decal - Warning Crushing (Down) Options: Brazil Spec (English/Portuguese) Chinese Spec CSA Spec Japanese Spec Korean Spec Latin American Spec	
24	1705897 1001116851 1703937 1703936 1703938 1703939 1703935	5	Decal - Danger Electrocution Options: Brazil Spec (English/Portuguese) Chinese Spec (Traditional) Chinese Spec (Simplified) CSA Spec Japanese Spec Korean Spec Latin American Spec	
25	1705902 1703982 1703984 1703980 1703981 1703983	1	Decal - Foot Switch Options: Brazil Spec (English/Portuguese) Chinese Spec CSA Spec Japanese Spec Korean Spec Latin American Spec	

## SECTION 8 DECALS

**FIGURE 8-2. DECAL INSTALLATION (COUNTRY SPEC) (CONTINUED)**

ITEM #	PART NUMBER	QTY.	DESCRIPTION	REV.
26	3251813	1	Decal - USA Options: Brazil/Chinese/CSA/Japanese/Korean/Latin American Spec (USA Built Machines S/N 0300140000 to S/N 0300151568 Only & China Built Machines S/N B300000100 to S/N B300000357 Only)	
	Not Required		Korean Spec	
27	Not Used			
28	2902354	1	Kit, Decal Max Tire Load - 800S (Includes Qty 4 of p/n 1703475)	1
	1703475	4	Decal - Max Tire Load	
	2902429	1	Kit, Decal Max Tire Load - 860SJ (Includes Qty 4 of p/n 1703482)	1
	1703482	4	Decal - Max Tire Load	
29	Not Used			
30	See Note	1	Decal - Bar Code <b>(Note: Not Available for Purchase.)</b>	
31		2	Decal Options:	
	1704906		Decal - 800S	
	1704907		Decal - 860SJ	
32	1701501	4	Decal- Arrow	
33		2	Decal Capacity Options:	
			USA Built Machines S/N 0300140000 to S/N 0300143294 Only & China Built Machines S/N B300000100 to S/N B300000153 Only	
			800S - Decal - 500LBS Unrestricted Capacity	
	1706380		Brazil Spec (English/Portuguese)	
	1704101		Chinese Spec	
	1704099		CSA Spec	
	1704102		Japanese Spec	
	1704103		Korean Spec	
	1704098		Latin American Spec	
			860SJ - Decal - 500LBS Maximum Capacity	
	1001094804		Brazil Spec (English/Portuguese)	
	1001094800		Chinese Spec	
	1001094806		CSA Spec	
	1001094809		Japanese Spec	
	1001094798		Korean Spec	
	1001094802		Latin American Spec	
			USA Built Machines S/N 0300143294 to Present Only & China Built Machines S/N B300000153 to Present Only	
			800S - Decal - 500LBS Unrestricted Capacity	
	1001121806		Brazil Spec (English/Portuguese)	
	1001121809		Chinese Spec	
	1001121802		CSA Spec	
	1001121807		Japanese Spec	
	1001122200		Korean Spec	
	1001121804		Latin American Spec	
			860SJ - Decal - 500LBS Maximum Capacity	
	1001122512		Brazil Spec (English/Portuguese)	
	1001122510		Chinese Spec	
	1001122513		CSA Spec	
	1001122514		Japanese Spec	

## SECTION 8 DECALS

**FIGURE 8-2. DECAL INSTALLATION (COUNTRY SPEC) (CONTINUED)**

ITEM #	PART NUMBER	QTY.	DESCRIPTION	REV.
34	Continued	1	860SJ - Decal - 500LBS Maximum Capacity	
	1001122509		Korean Spec	
	1001122511		Latin American Spec	
			Decal Capacity Options:	
			USA Built Machines S/N 0300140000 to	
			S/N 0300143294 Only & China Built Machines	
			S/N B300000100 to S/N B300000153 Only	
			800S - Decal - 500LBS Unrestricted Capacity	
	1707051		Brazil Spec (English/Portuguese)	
	1707045		Chinese Spec	
	1707046		CSA Spec	
	1707053		Japanese Spec	
	1707043		Korean Spec	
	1707048		Latin American Spec	
			860SJ - Decal - 500LBS Maximum Capacity	
	1001094805		Brazil Spec (English/Portuguese)	
	1707044		Chinese Spec	
	1001094808		CSA Spec	
	1001094810		Japanese Spec	
	1001094799		Korean Spec	
	1001094803		Latin American Spec	
			USA Built Machines S/N 0300143294 to Present Only &	
			China Built Machines S/N B300000153 to Present Only	
	800S - Decal - 500LBS Unrestricted Capacity			
1001121819	Brazil Spec (English/Portuguese)			
1001121822	Chinese Spec			
1001121815	CSA Spec			
1001121820	Japanese Spec			
1001122201	Korean Spec			
1001121817	Latin American Spec			
	860SJ - Decal - 500LBS Maximum Capacity			
1001122520	Brazil Spec (English/Portuguese)			
1001122518	Chinese Spec			
1001122521	CSA Spec			
1001122522	Japanese Spec			
1001122517	Korean Spec			
1001122519	Latin American Spec			
35	See Note	1	Nameplate, Manufactures <b>(Note: Not Available for Purchase.)</b>	
36		1	Decal - Patent Options:	
	1700584		All Specs Except CSA Spec (USA Built Machines S/N 0300140000 to S/N 0300151568 Only & China Built Machines S/N B300000100 to S/N B300000357 Only)	
	1001131269		CSA Spec Only (USA Built Machines S/N 0300151568 to Present Only & China Built Machines S/N B300000357 to Present Only)	
37	1001108496	1	Decal - Legend	
38	1706941	1	Decal - Legend (MTB)	
39	3252781	1	Decal - Lift Diagram	
40	1701691	4	Decal - No Step	
41 to 42	Not Used			

## SECTION 8 DECALS

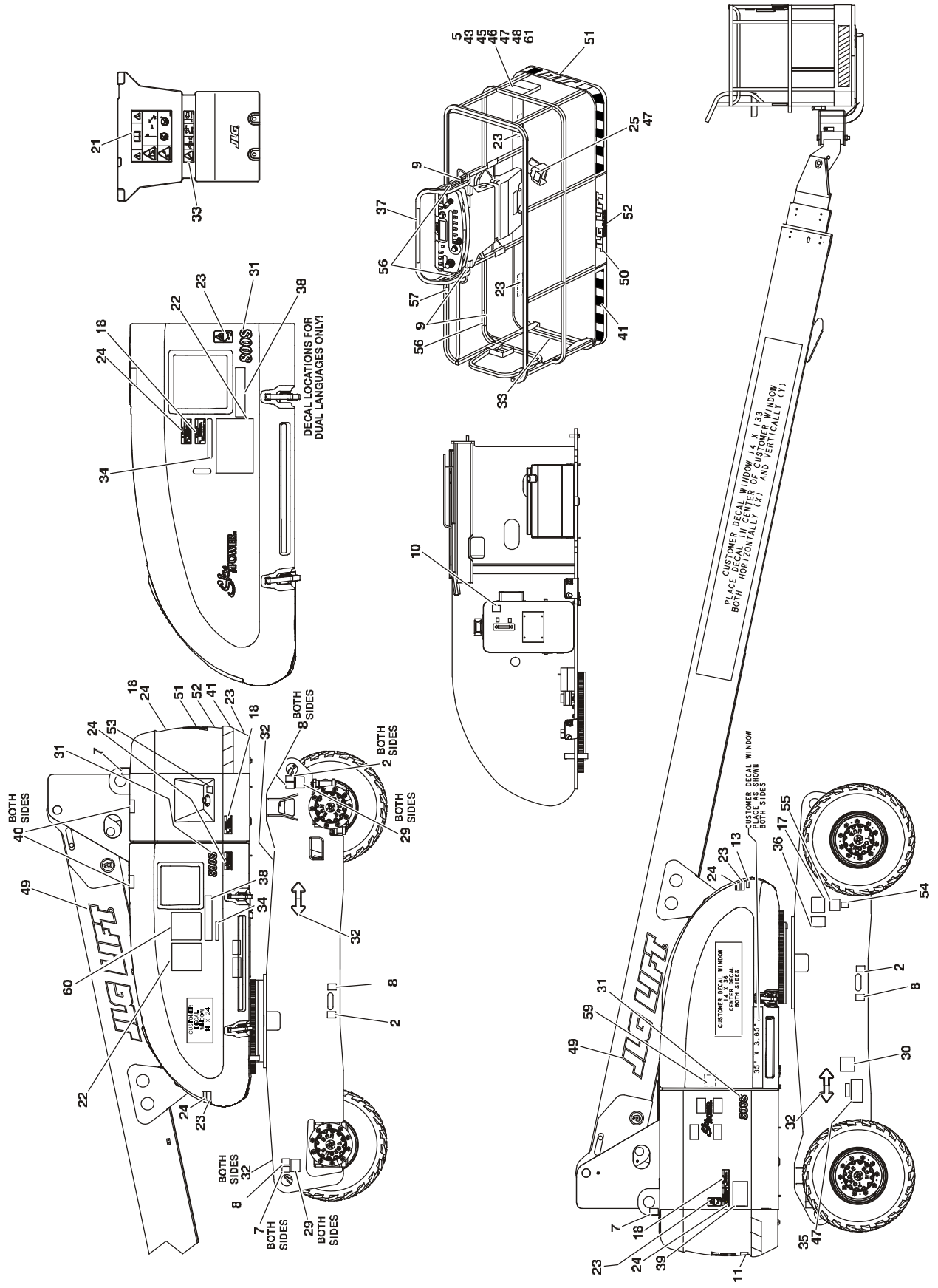
**FIGURE 8-2. DECAL INSTALLATION (COUNTRY SPEC) (CONTINUED)**

ITEM #	PART NUMBER	QTY.	DESCRIPTION	REV.
43	0641408	1	Bolt 1/4in-20NC x 1in	
44	0860520	1	Box, Manual Storage	
45	1060279	1	Cable, Lanyard	
46	3311405	5	Locknut 1/4in	
47	3820001	2	Rivet	
48	4751400	10	Flatwasher 1/4in	
49	1702861	2	Decal - JLG Lift (8in Height)	
50	1702774	1	Decal - JLG Lift (3-1/2in Height)	
51	1702773	1	Decal - JLG (5in Height)	
52	1704885	2	Decal - Website	
53		1	Decal - Fuel	
	1701505		Diesel	
	1701542		Gas	
54 to 55	Not Used			
56		1	Decal - Lanyard Attach (GM Spec)	
	Not Required		Brazil/Chinese/Japanese/Korean/Latin American Spec	
	1703175		CSA Spec	
57 to 58	Not Used			
59		1	Decal - Drive/Steer Instructions Options:	
	1705905		Brazil Spec (English/Portuguese)	
	1705430		Chinese Spec	
	1705429		CSA Spec	
	1705426		Japanese Spec	
	1705427		Korean Spec	
	1705910		Latin American Spec	
60	0641406	1	Bolt 1/4in-20NC x 3/4in	
61	Not Used			
62		1	Decal - Warning Explosion/Fire Options:	
	1706059		Brazil Spec (English/Portuguese)	1
	1706060		Chinese Spec	
	1706064		CSA Spec	
	1706062		Japanese Spec	
	1706061		Korean Spec	
	1706063		Latin American Spec	
			-----	
	1001109029	1	Master Decal Kit (Includes Items 2, 5, 7-10 & 13)	
		1	ANSI Decal Kit Options (Includes Items 17-26):	
	2902312		Brazil Spec (English/Portuguese)	8
	2902309		Chinese Spec	8
	2902322		CSA Spec	8
	2902308		Japanese Spec	8
	2902310		Korean Spec	4
	2902311		Latin American Spec	9



# SECTION 8 DECALS

## FIGURE 8-3. DECAL INSTALLATION (AUSTRALIAN & CE SPEC)



## SECTION 8 DECALS

**FIGURE 8-3. DECAL INSTALLATION (AUSTRALIAN & CE SPEC)**

ITEM #	PART NUMBER	QTY.	DESCRIPTION	REV.
		Ref.	<b>DECAL INSTALLATIONS</b>	
	1001114371	Ref.	<b>800S Australian Spec</b>	3
	0274509	Ref.	<b>800S CE Spec</b>	6
	1001114372	Ref.	<b>860SJ Australian Spec</b>	3
	0274510	Ref.	<b>860SJ CE Spec</b>	6
	0274518	Ref.	<b>JLG Logo Decals</b>	1
1	Not Used			
2	1701499	A/R	Decal - No Lift	
3 to 4	Not Used			
5	1701509	1	Decal - Manual	
6	Not Used			
7	1703811	4	Decal - Lift	
8	1703814	6	Decal - Tie Down	
9	1704277	4	Decal - Attach Lanyard Here	
10	1704412	1	Decal - Hydraulic Oil Chart	
11	1705084	1	Decal - Sound Power Level	
12 to 20	Not Used			
21	1705921	1	Decal - Tipping/Electric (PLF)	
22	1705822	1	Decal - Electric/Safety Manual	
23	1701518	10	Decal - Warning Crushing	
24	1705961	5	Decal - Danger Electrocutation	
25	1705828	1	Decal - Footswitch	
26 to 27	Not Used			
28	2902354	1	Kit, Decal Max Tire Load - 800S (Includes Qty 4 of p/n 1703475)	1
	1703475	4	Decal - Max Tire Load	
	2902429	1	Kit, Decal Max Tire Load - 860SJ (Includes Qty 4 of p/n 1703482)	1
	1703482	4	Decal - Max Tire Load	
29	Not Used			
30	See Note	1	Decal - Bar Code <b>(Note: Not Available for Purchase.)</b>	
31		2	Decal Options:	
	1704906		Decal - 800S	
	1704907		Decal - 860SJ	
32	1701501	4	Decal- Arrow	
33	1705978	1	Decal - 230kg Capacity	
34	1705978	1	Decal - 230kg Capacity	
35	See Note	1	Nameplate, Manufactures <b>(Note: Not Available for Purchase.)</b>	
36	1700584	1	Decal - Patent (USA Built Machines S/N 0300140000 to S/N 0300151568 Only & China Built Machines S/N B300000100 to S/N B300000357 Only)	
37 to 38	Not Required			
39	3252781	1	Decal - Lift Diagram	
40	1701691	4	Decal - No Step	
41	4420051	23.1ft/7m	Stripes, Warning	
42	3251242	1	Decal - 240V-50Hz	
43	0641408	1	Bolt 1/4in-20NC x 1in	
44	0860520	1	Box, Manual Storage	
45	1060279	1	Cable, Lanyard	

# SECTION 8 DECALS

**FIGURE 8-3. DECAL INSTALLATION (AUSTRALIAN & CE SPEC) (CONTINUED)**

ITEM #	PART NUMBER	QTY.	DESCRIPTION	REV.
46	3311405	5	Locknut 1/4in	
47	3820001	2	Rivet	
48	4751400	10	Flatwasher 1/4in	
49	1702861	2	Decal - JLG Lift (8in Height)	
50	1702774	1	Decal - JLG Lift (3-1/2in Height)	
51	1702773	1	Decal - JLG (5in Height)	
52	1704885	2	Decal - Website	
53	1701505	1	Decal - Fuel	
54 to 58	Not Used			
59	1706098	1	Decal - Warning Explosion/Fire	
60	1001112551	1	Decal - Emergency Control (Australian Spec Only)	
61	0641406	1	Bolt 1/4in-20NC x 3/4in	
			-----	
	2902303	1	Master Decal Kit (Includes Items 2 & 5-11)	6
	2902329	1	ANSI Decal Kit (Includes Items 21-25)	4

## SECTION 9 RECOMMENDED SERVICE PARTS STOCK

### MODEL 800S/860SJ

The following list will service one machine (built to current production per date on the front cover) with emergency repair parts which can be installed in the field. Parts from the list should be replaced when inventory is depleted to keep service parts stock supplied. For further information, contact your JLG dealer or the JLG Industries Parts Department.

Part Number	Description	Qty./Machine
<b>STANDARD PARTS</b>		Ref.
1001108617	Element, Filter (Figure 2-1)	12
7012944	Coil (Figures 2-1, 2-2 & 3-6)	1
7012943	Coil (Figures 2-2, 3-6 & 5-3)	1
7017451	Coil (Figures 2-2 & 5-3)	1
70000582	Coil (Figure 2-2)	1
7012664	Element, Air Cleaner (Figures 2-5, 2-6, & 2-7)	1 Dozen
3740067	Relay (Figures 2-5, 2-6, & 2-7)	1
3740080	Relay (Figure 2-6)	1
7007496	Coil (Figure 2-8)	1
7024444	Breather, Hydraulic Tank (Figure 2-10)	3
4360517	Switch, Proximity (Figures 2-12, 2-14 & 7-2)	1
3740049	Relay (Figures 2-13, & 7-2)	1
4360328	Switch, Toggle (Figures 2-13, & 4-3)	1
4360469	Switch, Key (Figure 2-13) (All Specs Except CE Specs)	1
4360470	Switch, Key (Figure 2-13) (CE Specs Only)	1
2860030	Key, Replacement (Figure 2-13)	1
4360475	Switch, Mushroom (Figures 2-13, & 4-3)	1
4360476	Contact, Switch Block (Figures 2-13, & 4-3)	1
1001133329	Switch, Level Sensor (Figures 3-6, & 7-2)	1
2940074	Latch (Figure 4-1)	1
1001117172	Footswitch (Figure 4-1)	1
4360330	Switch, Toggle (Figure 4-3)	1
4360331	Switch, Toggle (Figure 4-3)	1
4360387	Switch, Push Button (Figure 4-3)	1
1001129555	Controller (Lift and Swing) (Figure 4-4)	1
1001118416	Controller (Drive and Steer) (Figure 4-5)	1
4360506	Switch, Proximity (Figure 7-2)	1
<b>VARIABLE PARTS</b>		Ref.
7026811	Filter, Oil (Caterpillar Engine Machines) (Figure 2-5)	1 Dozen
7026830	Filter, Fuel (Caterpillar Engine Machines) (Figure 2-5)	1 Dozen
1001112067	Module, Engine Control (Caterpillar Engine Machines) (Figure 2-5)	1
7016331	Filter, Oil (Deutz Engine Machines) (Figure 2-6)	1 Dozen
8320270	Filter, Fuel (Deutz Engine Machines) (Figure 2-6)	1 Dozen
7027795	Module, Engine Control (Deutz Engine Machines) (Figure 2-6)	1
7027965	Filter, Oil (GM Engine Machines) (Figure 2-7)	1 Dozen
7027972	Filter, Fuel (GM Engine Machines) (Figure 2-7)	1 Dozen
70002895	Module, Engine Control (GM Engine Machines) (Figure 2-7)	1
1001103667	Module, Ground Control (Caterpillar/Deutz/GM Engine) (Figure 2-13)	1
4360578	Switch, Limit (Figure 2-14)	1
3740080	Relay (Machine with Generator Option) (Figures 2-18, 2-19, 2-20, 2-21, & 2-22)	1

## SECTION 9 RECOMMENDED SERVICE PARTS STOCK

### MODEL 800S/860SJ

The following list will service one machine (built to current production per date on the front cover) with emergency repair parts which can be installed in the field. Parts from the list should be replaced when inventory is depleted to keep service parts stock supplied. For further information, contact your JLG dealer or the JLG Industries Parts Department.

Part Number	Description	Qty./Machine
4360336	Switch, Toggle (Machines with Generator Option) (Figures 2-18, 2-19, 2-20, 2-21, & 2-22)	1
4360070	Breaker, Circuit (Machines with SkyPower) (Figures 2-21, & 2-22)	1
2400064	Fuse - 5 Amp (Machines with SkyPower) (Figures 2-21, 2-22, & 7-2)	2
70003921	Powertrack Repair Section (Figures 3-2 & 3-3)	1
70003922	Powertrack Mounting Bracket Kit (Figures 3-2 & 3-3)	1
4360522	Switch, Push Button (Machines with Headlights Option) (Figure 4-3)	1
4360336	Switch, Toggle (Machines with Dual Fuel Option) (Figure 4-3)	1
4360328	Switch, Toggle (860SJ Only) (Figure 4-3)	1
1001141138	Module, Controller (Figure 4-3)	1
4360057	Switch, Limit (Figure 4-6)	1
4360232	Breaker, Circuit (Machines with Platform Worklights) (Figure 7-2)	1
3990010	Diode (Machines with Generator Option) (Figure 7-2)	2
2400070	Fuse (Machines with Platform Worklights) (Figure 7-2)	2

# **SECTION 10 SPECIAL OPTIONS**

## SECTION 10 SPECIAL OPTIONS

**FIGURE 10-1. SPECIAL OPTIONS LIST**

ITEM #	PART NUMBER	QTY.	DESCRIPTION	REV.
		Ref.	<b>MISCELLANEOUS SPECIAL OPTIONS</b>	
	1340061	Ref.	<b>Air Cleaner with Dust Evacuator Valve</b>	
	0271472	Ref.	<b>Air Line at Platform Installation - 800S</b>	
	1001091712	Ref.	<b>Air Line at Platform Installation - 800S (With Arctic Package)</b>	
	0271473	Ref.	<b>Air Line at Platform Installation - 860SJ</b>	
	1001091713	Ref.	<b>Air Line at Platform Installation - 860SJ (With Arctic Package)</b>	
		Ref.	<b>Bellows Installations</b>	
	0271476	Ref.	<b>800S Boom Bellows</b>	
	0271477	Ref.	<b>860SJ Boom Bellows</b>	
	0258757	Ref.	<b>Fixed Axle with 2WS Frame Bellows</b>	
	0258759	Ref.	<b>Fixed Axle with 4WS Frame Bellows</b>	
	0258387	Ref.	<b>Oscillating Axle with 2WS Frame Bellows</b>	
	0258758	Ref.	<b>Oscillating Axle with 4WS Frame Bellows</b>	
		Ref.	<b>Boom Wiper Installation</b>	
	0271448	Ref.	<b>Standard Machines</b>	
	1001122305	Ref.	<b>Hostile Environment Machines</b>	
	0256789	Ref.	<b>Camera Mount Assembly</b>	
	0272057	Ref.	<b>Chassis Flood Lights Installation</b>	
		Ref.	<b>ClearSky (Telematics) Installation (Factory Installed)</b>	
		Ref.	<b>Note: Refer to Manual Supplement p/n 3128499 for available replacement parts.</b>	
		Ref.	<b>With (ABS) Hood (USA Built Machines S/N 0300140000 to S/N 0300144483 Only &amp; China Built Machines S/N B300000100 to S/N B300000200 Only)</b>	
	1001112990	Ref.	<b>ANSI Spec</b>	
	1001112991	Ref.	<b>ANSI Export &amp; Japanese Specs</b>	
	1001112992	Ref.	<b>CSA Spec</b>	
		Ref.	<b>With (Steel) Hood (USA Built Machines S/N 0300144483 to Present Only &amp; China Built Machines S/N B300000200 to Present)</b>	
	1001118963	Ref.	<b>ANSI Spec</b>	
	1001134103	Ref.	<b>Australian Specs Only</b>	
	1001118964	Ref.	<b>CSA Specs</b>	
	1001127087	Ref.	<b>Brazil &amp; New Zealand Specs Only</b>	
		Ref.	<b>ClearSky (Telematics) Kit (Dealer Installed)</b>	
	1001119939	Ref.	<b>ANSI Spec</b>	
	1001139151	Ref.	<b>Australian Spec</b>	
	1001119947	Ref.	<b>CSA Spec</b>	

## SECTION 10 SPECIAL OPTIONS

**FIGURE 10-1. SPECIAL OPTIONS LIST (CONTINUED)**

ITEM #	PART NUMBER	QTY.	DESCRIPTION	REV.
		Ref.	<b>Cold Weather Start Kits</b>	
	0273575	Ref.	<b>Caterpillar Engine Machines</b>	
	0256060	Ref.	<b>Deutz Engine Machines (Ether)</b>	
	0271912	Ref.	<b>Deutz Engine Machines (Glow Plugs)</b>	
	0275262	Ref.	<b>GM Engine Machines</b>	
		Ref.	<b>Decal Installations</b>	
		Ref.	Decal - ClearSky Options:	
	1001116597	Ref.	ANSI Spec (USA Built Machines S/N 0300140000 to S/N 0300143785 Only & China Built Machines S/N B300000100 to S/N B300000200 Only)	
	1001116598	Ref.	CSA Spec (USA Built Machines S/N 0300140000 to S/N 0300143785 Only & China Built Machines S/N B300000100 to S/N B300000200 Only)	
	1001120993	Ref.	ANSI & CSA Spec (USA Built Machines S/N 0300143785 to Present Only & China Built Machines S/N B300000200 to Present)	
	0257195	Ref.	Decal - Government Warranty Installation (ANSI Spec)	
	1703175	1	Decal - Lanyard Attach (GM K-1 Spec) (ANSI & CSA Specs)	
	1702962	1	Decal - Prop 65 Warning (Diesel Machines) (California Spec)	
	1702961	1	Decal - Prop 65 Warning (Gasoline Machines) (California Spec)	
	0274528	Ref.	Decals - Head & Engquist Equipment L.L.C. (H&E) (ANSI Spec)	
	0274455	Ref.	Decal - FedEx (ANSI & CSA Specs)	
	0273251	Ref.	Decal - Hertz (ANSI & CSA Specs) (S/N 0300140000 to S/N 0300147423)	
	1001128989	Ref.	Decal - Hertz (ANSI & CSA Specs) (S/N 0300147423 to Present)	
	1001143078	Ref.	Decals - Hewitt the Rental Store (English)	
	1001143513	Ref.	Decals - Hewitt the Rental Store (French)	
	1001140645	Ref.	Decal - Leavitt (ANSI & CSA Specs)	
	0274244	Ref.	Decal - National Equipment Services (ANSI & CSA Specs)	
	1001095392	Ref.	Decal - RSC Equipment Rental (ANSI & CSA Specs)	
	0273687	Ref.	Decal - SkyAir (ANSI, ANSI Export & CSA Specs)	
	0272599	Ref.	Decal - SkyCutter (ANSI, ANSI Export & CSA Specs)	
	0272607	Ref.	Decal - SkyCutter (Japanese Spec)	
	0272418	Ref.	Decal - Sky Glazier (All Specs Except CE & Japanese Specs)	
	0272589	Ref.	Decal - SkyPower (All Specs Except ANSI & CSA Specs)	
	0272448	Ref.	Decal - SkyWelder (ANSI & CSA Specs)	
	0272588	Ref.	Decal - SkyWelder (All Specs Except ANSI & CSA Specs)	
	1001120206	Ref.	Decal - Sunbelt (ANSI & CSA Specs)	
	1001151082	Ref.	Decal - Titan Rentals (ANSI & CSA Specs)	
	0271815	Ref.	Decal - United Rentals (ANSI & CSA Specs)	
	1001140221	Ref.	Decal - Volvo Rents (ANSI & CSA Specs)	
		Ref.	<b>Deutz Engine Filter Kits:</b>	
	1001111004	1	Combined Filter Kit (Hydraulic/Air & Fuel/Engine Oil)	
	1001109702	1	Hydraulic/Air Filter	
	1001110133	1	Engine - Fuel/Engine Oil Filter	
	2902394	Ref.	<b>Drive/Steer Cutout Kit</b>	



## SECTION 10 SPECIAL OPTIONS

**FIGURE 10-1. SPECIAL OPTIONS LIST (CONTINUED)**

ITEM #	PART NUMBER	QTY.	DESCRIPTION	REV.
		Ref.	<b>Electrical Connector Kits</b>	
	1001148902	Ref.	Amp/Tyco Electrical Connector Kit	
	1001148903	Ref.	Deutsch DT Electrical Connector Kit	
	1001148904	Ref.	Deutsch HD Electrical Connector Kit	
	1001148905	Ref.	Packard Electrical Connector Kit	
	1001148906	Ref.	Various Electrical Connectors Kit	
	0275261	Ref.	<b>Engine Block Heater Installation (GM Engines)</b>	
	1001093389	Ref.	<b>Fan, Cover</b>	
	1001125824	Ref.	<b>Fire Extinguisher Brackets installation (Frame Mounted)</b>	
	1001139099	Ref.	<b>Fire Extinguisher Installation (20lb) (Platform Mounted)</b>	
	1001121862	Ref.	<b>Fire Protection For Hoses &amp; Cables</b>	
	4060959	Ref. 1	<b>Footswitch Shield Installation</b> Shield, Footswitch (USA Built Machines S/N 0300140000 to S/N 0300143929 & China Built Machines S/N B300000100 to S/N B300000203)	
	3380652	Ref.	<b>Footswitch Shield (With Arctic Package) Options:</b>	
	1001117294	Ref.	<b>S/N 0300140000 to S/N 0300143929</b>	
		Ref.	<b>S/N 0300143929 to Present</b>	
		Ref.	<b>Fluids:</b>	
	2300004	Ref.	Antifreeze, Standard	
	2300041	Ref.	Antifreeze, Arctic	
	2300040	Ref.	Diesel Fuel Conditioner	
	3020016	Ref.	Engine Oil, (15W-40)	
	3020044	Ref.	Engine Oil, (0W-40)	
	1001115930	Ref.	Engine Oil, (10W-30)	
	1001115931	Ref.	Engine Oil, Fully Synthetic (5W-30)	
		Ref.	Hydraulic Fluids Options:	
	2300014	Ref.	Mobil 424	
	2300027	Ref.	Mobil 224H Bio	
	2300029	Ref.	Mobil EAL ISO 46 Bio	
	Continued	Ref.	Hydraulic Fluids Options:	
	2300016	Ref.	Mobil DTE 10 Excel 32	
	2300021	Ref.	Union Carbide Ucon HP5046 Fire Resistant	
	2300039	Ref.	Exxon Univis Hvl (Arctic Package Only)	
	1001121412	Ref.	<b>Hostile (Extreme) Environment (2WS)</b>	
	1001148971	Ref.	<b>Lanyard (Bolt-On) Kit Installation</b>	
		Ref.	<b>Oil Cooler Installations</b>	
	1001108703	1	Deutz Powered Machines (All Specs)	
	0271939	1	GM Powered Machines (All Specs Except Australian & CE Spec)	

## SECTION 10 SPECIAL OPTIONS

**FIGURE 10-1. SPECIAL OPTIONS LIST (CONTINUED)**

ITEM #	PART NUMBER	QTY.	DESCRIPTION	REV.
	0257728	Ref.	<b>Pipe Jacks Installations (ANSI Spec 800S/860SJ Only)</b>	
	0274661	Ref.	<b>Pipe Jacks Installations (Australian Spec 860SJ Only)</b>	
		Ref.	<b>Platform Cover Installations</b>	
	0258703	Ref.	USA Built Machines	
	1001112821	Ref.	China Built Machines	
	1001110974	Ref.	Curved Cover (All Specs except Chines & Korean Specs)	
	1001125229	Ref.	Curved Cover (Korean Spec)	
	1001125230	Ref.	Curved Cover (Chinese Spec)	
		Ref.	<b>Platform Entry Kits</b>	
	1001142504	Ref.	<b>Drop Bar (Replacing Swing Gate with Drop Bar)</b>	
	1001142505	Ref.	<b>Swing Gate (Replacing Drop Bar with Swing Gate)</b>	
		Ref.	<b>Platform Mesh To Mid Rail Installation (Side Entry Platform)</b>	
	1001140318	Ref.	<b>800S/860SJ - 3ftx4ft Platforms (ANSI, ANSI Export &amp; Australian Specs)</b>	
		Ref.	<b>Platform Mesh To Top Rail Installation (Side Entry Platform)</b>	
	0273147	Ref.	<b>800S/860SJ - 3ftx4ft Platforms (ANSI, ANSI Export &amp; CSA Specs)</b>	
	0273146	Ref.	<b>800S/860SJ - 3ftx5ft Platforms (ANSI, ANSI Export &amp; CSA Specs)</b>	
	0273149	Ref.	<b>800S/860SJ - 3ftx6ft Platforms (ANSI, ANSI Export &amp; CSA Specs)</b>	
	0273145	Ref.	<b>800S/860SJ - 3ftx8ft Platforms (ANSI, ANSI Export &amp; CSA Specs)</b>	
	1001120532	Ref.	<b>800S - 3ftx8ft Platforms (With Fall Arrest) (ANSI Export Specs)</b>	
	1702868	Ref.	Decal - No Hands (ANSI Spec)	
	1704000	Ref.	Decal - No Hands (CSA Spec)	
	1001149730	Ref.	<b>Platform Mid Rail Repair Kit</b>	
		Ref.	<b>Platform Top Rail Extension Installations</b>	
	0272733	1	Platform 6ft (1.83m)	
	0272725	1	Platform 8ft (2.44m)	
	1001100121	Ref.	<b>Programmable Security Lock Installation (CE Spec Only)</b>	
		Ref.	<b>Sky Accessory:</b>	
	0273596	Ref.	SkyAir Compressor Installation (ANSI, ANSI Export & CSA Specs)	
	1001098149	Ref.	SkyCutter Plasma Cutter (All Specs Except Australian & CE Spec)	
	0273353	Ref.	SkyCutter/SkyWelder Combo (ANSI, ANSI Export & CSA Specs)	
	1001101422	Ref.	SkyGlazier (ANSI & CSA Specs)	
	1001099421	Ref.	SkyGlazier (ANSI Export Spec 800S Only) (Spanish)	
	1001099422	Ref.	SkyGlazier (ANSI Export Spec 800S Only) (Portuguese)	
	1001115398	Ref.	SkyPower - 7500W 60Hz (Caterpillar Engine) (ANSI & CSA Specs)	

## SECTION 10 SPECIAL OPTIONS

**FIGURE 10-1. SPECIAL OPTIONS LIST (CONTINUED)**

ITEM #	PART NUMBER	QTY.	DESCRIPTION	REV.
	1001115400	Ref.	SkyPower - 7500W 50Hz (Caterpillar Engine) (All Specs Except ANSI & CSA Specs)	
	1001115388	Ref.	SkyPower - 7500W 60Hz (Deutz Engine) (ANSI & CSA Specs)	
	1001115394	Ref.	SkyPower - 7500W 50Hz (Deutz Engine) (All Specs Except ANSI & CSA Specs)	
	0275257	Ref.	SkyPower - 7500W 60Hz (GM Engine) (ANSI & CSA Specs)	
	0272254	Ref.	SkyWelder - Stick, 250A (All Specs Except CE Spec)	
	0272521	Ref.	SkyWelder - Stick, 250A (CE Spec Only)	
		Ref.	<b>Note: For Breakdown of Sky Accessories Refer to Accessory Manual p/n 3124242</b>	
		Ref.	<b>SkyGuard Component Options:</b>	
	1001143669	Ref.	SkyGuard Complete Add-On Kit (UGM Machines)	
	1001137672	Ref.	SkyGuard Platform Sensor Kit (UGM Machines)	
	1001143256	Ref.	SkyGuard Blue Beacon Kit	
	1001116163	Ref.	<b>Sky Power Kit, Deutz 7500W (800S Only)</b>	
	1001110926	Ref.	<b>Soft Touch (Overhead) Installation (Chinese/Korean Specs Only)</b>	
	1001125393	Ref.	<b>Soft Touch (Overhead) Kit (Chinese/Korean Specs Only)</b>	
	0272325	Ref.	<b>Tire Sealant Installation (ANSI Spec Only)</b>	
	0272312	Ref.	<b>Tire Sealant Decal Installation</b>	
	2902203	1	Kit, Tire Sealant Decal	
		Ref.	<b>Tools for Service</b>	
	2901443	1	Analyzer Kit	
	8896941	1	Wire Stripper	
	7002821	1	Wire Crimper (To install wire ends to wires)	
	7002823	1	Pin/Socket Extractor - Universal (To Remove Pins/Sockets from Connectors)	
	4460467	1	Extractor - 16-18 Gauge (For Removal of Pin/Sockets from Deutsch Connectors)	
	4460510	1	Extractor - 12-14 Gauge (For Removal of Pin/Sockets from Deutsch Connectors)	
	7002822	1	Screwdriver, Potentiometer (To Adjust Drive Controllers)	
	7016654	1	Screwdriver, Magnetic	
	7004275	1	Seal Installation Tool - 1in	
	7004276	1	Seal Installation Tool - 1-1/2in	
	7002826	1	Seal Installation Tool - 2in	
	7016655	1	Wire Rope Sheave Gauge	
	1001137005	1	Software Cable Kit	
	0258918	Ref.	<b>Utility Rack Installation</b>	
		Ref.	<b>Weld Leads at Platform Installations</b>	
	0271487	Ref.	<b>800S</b>	
	0271488	Ref.	<b>860SJ</b>	

## SECTION 11 PARTS NUMBER INDEX

Part Number	Page	Part Number	Page	Part Number	Page	Part Number	Page
0060048	3-11, 3-19	0258759	10-2	0272435	2-93, 2-99	0275219	7-19
0060061	3-7, 3-19	0258918	10-6	0272448	10-3	0275257	2-97, 7-20, 10-6
0080181	2-16	0259147	2-9	0272507	2-60, 7-16	0275261	10-4
0080201	2-35	0270528	1-25	0272521	10-6	0275262	10-3
0080241	2-60	0270805	2-60	0272588	10-3	0275452	7-19
0080243	2-16	0270876	3-3, 3-7	0272589	2-93, 10-3	0275453	7-19
0100009	4-11	0270877	3-3, 3-11	0272599	10-3	0275454	7-19
0100011	1-3, 1-4, 1-7, 1-8, 1-11, 1-23, 1-25, 2-3, 2-16, 2-18, 2-19, 2-24, 2-26, 2-27, 2-34, 2-35, 2-47, 2-53, 2-55, 2-59, 2-60, 2-64, 2-66, 2-70, 2-71, 2-72, 2-77, 2-81, 2-85, 2-89, 2-97, 3-3, 3-7, 3-11, 3-12, 3-15, 3-24, 3-26, 4-4, 4-25, 4-27, 5-3, 5-5, 5-7, 5-11, 5-17	0270881	2-47	0272607	10-3	0275547	2-64
		0270885	1-11	0272725	10-5	0275586	3-29, 7-8
		0270886	1-11	0272733	10-5	0340041	2-16, 2-27, 2-35
		0270888	1-11	0272750	2-4, 5-8, 5-18	0340046	2-16
		0271002	2-9	0272970	4-5	0362519	2-51
		0271083	1-11	0273145	10-5	0362726	1-4, 1-7
		0271084	1-11	0273146	10-5	0362770	2-64
		0271085	1-11	0273147	10-5	0362910	1-25
		0271086	1-11	0273149	10-5	0400075	2-16, 2-24, 2-34
		0271090	1-11	0273251	10-3	0440244	2-9
		0271091	1-11	0273353	10-5	0480120	2-77
		0271322	3-29, 7-7	0273378	1-4, 1-8, 1-11, 1-23	0480121	2-77, 2-81
		0271323	3-29, 7-7	0273472	4-5, 7-2	0480125	2-91
		0271324	3-29, 7-7	0273483	4-5, 7-2	0480126	2-91
		0271325	3-29, 7-7	0273575	10-3	0480129	2-91
0100019	1-3, 1-7, 2-9, 2-91, 2-97	0271352	1-7	0273596	10-5	0480142	2-85, 2-97
0100020	2-17, 2-18, 2-19, 2-24, 2-34, 2-36, 2-51, 2-92	0271354	1-25	0273687	10-3	0561185	3-15
		0271360	2-59	0273695	3-7, 3-11, 3-26	0561380	3-3
		0271362	2-59	0273704	1-11, 1-23	0561445	3-15
0100035	2-59, 3-26	0271444	3-11	0273706	4-25	0561446	3-15
0100038	5-3, 5-5, 5-7, 5-11, 5-17	0271448	10-2	0273824	4-25	0561447	3-15
0100048	2-34, 2-55, 2-60, 4-12, 7-10	0271472	10-2	0274244	10-3	0561449	3-15
		0271473	10-2	0274267	1-23	0561484	3-29
0100062	2-92	0271476	10-2	0274455	10-3	0630462	4-25
0100063	5-11	0271477	10-2	0274499	8-3	0630467	3-24
0100081	2-71, 2-72, 3-7, 3-12, 4-11	0271487	10-6	0274500	8-3	0630485	2-70
		0271488	10-6	0274501	8-7	0630491	2-60
0140001	2-3	0271496	2-9	0274502	8-7	0630507	2-64, 2-70
0140011	4-11	0271552	2-60, 4-14	0274503	8-7	0630518	2-55
0140032	2-59, 7-16	0271815	10-3	0274504	8-7	0630534	5-5
0181949	2-51	0271912	10-3	0274505	8-7	0630535	5-3, 5-11, 5-17
0182077	2-64, 2-70	0271939	6-18, 10-4	0274506	8-7	0630536	5-7
0200048	4-25	0271990	3-7	0274507	8-7	0630539	3-7, 3-12
0200742	2-81	0271991	3-12	0274508	8-7	0630548	2-55
0200819	2-77	0271999	2-59	0274509	8-13	0630568	4-12
0250528	1-25	0272003	1-4	0274510	8-13	0641403	2-59, 3-15
0255524	2-51	0272057	2-60, 10-2	0274511	8-7	0641404	2-82, 2-90, 2-92
0256060	10-3	0272058	4-6	0274512	8-7	0641405	2-85, 2-90, 2-97
0256202	7-17	0272070	3-24	0274513	8-7	0641406	2-16, 2-35, 2-59, 2-64, 2-70, 2-90, 3-26, 4-4, 4-11, 7-22, 8-5, 8-11, 8-14
0256789	10-2	0272081	2-66, 2-72	0274514	8-7		
0257195	10-3	0272254	10-6	0274518	8-3, 8-7, 8-13		
0257728	10-5	0272259	7-17	0274528	10-3		
0257887	2-59, 7-16	0272260	7-17	0274571	1-3		
0258286	1-3	0272312	10-6	0274572	1-7	0641407	2-16, 2-18, 2-26, 2-27, 2-57
0258387	10-2	0272322	1-11	0274644	2-3, 3-24	0641408	2-3, 2-70, 2-72, 3-29, 4-4, 8-4, 8-11, 8-13
0258608	4-14	0272325	10-6	0274645	2-3, 3-24		
0258703	10-5	0272333	1-11	0274661	10-5		
0258728	2-75	0272334	1-11	0274762	2-64	0641410	2-59, 3-30
0258757	10-2	0272388	3-29, 7-7	0275039	2-85	0641412	2-24, 2-34, 3-29, 7-22
0258758	10-2	0272389	3-29, 7-7	0275216	7-19		
		0272418	10-3	0275217	7-19		
		0272427	4-25	0275218	7-19	0641414	4-11, 4-25

# SECTION 11 PARTS NUMBER INDEX

Part Number	Page	Part Number	Page	Part Number	Page	Part Number	Page
0641416	7-22	0641818	2-27, 2-70, 2-75	0801282	3-15	0961947	3-11, 3-19, 5-11
0641418	2-3, 4-4, 4-27	0641820	1-3, 2-16, 2-53	0801306	3-3	0961948	3-15, 5-11
0641420	2-4	0641826	2-27, 2-37	0801307	3-3	0961951	3-16, 3-19
0641422	2-34	0641828	2-35	0801325	3-15	0961977	5-13
0641424	3-29	0642010	1-25, 2-18, 2-24, 2-34	0801326	3-15	0961986	2-16, 2-27, 2-36
0641504	1-25, 3-3	0642014	3-3, 3-7, 3-11	0801647	3-15	0962033	5-7
0641505	2-89, 2-97	0642212	1-3, 1-7, 3-3, 3-7, 3-11	0801649	3-15	0962051	2-75
0641506	2-56	0642612	2-60	0811606	2-70, 3-15	0962102	1-3, 1-7
0641507	2-16	0642618	3-3	0811607	3-16	0962122	3-3
0641508	1-7, 2-34, 2-64, 2-78, 2-82, 2-89	0642684	3-24	0811608	3-16	0962152	1-4, 1-7
0641510	2-27, 2-85	0681608	1-3, 1-7, 3-24	0811610	3-16	0962270	4-9
0641511	2-34, 3-29	0681814	4-9	0811614	3-17	0962292	1-7
0641512	2-27	0681822	4-9	0811616	3-17	0962297	3-3, 3-7, 3-11, 3-15
0641514	2-4, 5-8	0682016	1-4, 1-8, 1-11	0860038	2-90, 2-97, 7-17	0962335	3-11
0641516	2-89, 2-97	0682023	2-9	0860520	8-4, 8-11, 8-13	0962336	5-5
0641518	4-6	0682032	2-9	0861441	4-11, 4-12	0962348	1-7
0641526	3-25	0682216	2-9	0861538	2-90, 2-97	0962356	5-15
0641542	1-23	0700616	2-19, 2-71, 2-72	0861541	2-92, 2-98	0962448	1-4, 1-7
0641560	1-23	0700620	2-19	0861542	2-89, 2-92, 2-97, 2-98, 7-20	0962449	2-78, 2-82
0641604	3-11, 3-26, 3-29	0700808	2-16, 2-19, 2-27	0861567	2-89, 2-92, 7-20	0962496	5-3
0641606	2-3, 2-16, 2-27, 2-35, 2-51, 2-66, 3-7, 3-12, 3-15, 3-24	0700810	2-36	0861572	2-90	0962520	2-90, 2-97
0641607	2-70, 3-15, 3-29	0700815	2-90	0861731	7-17	0962521	2-97
0641608	1-3, 1-4, 1-7, 1-23, 2-16, 2-18, 2-19, 2-25, 2-34, 2-35, 2-64, 2-66, 3-7, 3-11, 3-15	0700816	2-77	0861781	7-17	0962563	2-78
0641609	2-16, 2-27, 2-35, 2-70, 2-75	0700820	2-85, 2-97	0861782	7-17	1001091179	2-27
0641610	2-16, 2-18, 2-24, 2-27, 2-35, 2-64, 2-77, 2-81, 3-11, 3-15, 4-4	0701010	2-16, 2-19	0861880	7-22	1001091187	2-59
0641611	2-53	0701012	2-16	0901921	2-64	1001091188	2-59
0641612	2-3, 2-35, 3-3	0701015	2-16	0902206	2-60	1001091472	3-29
0641613	3-3, 3-16, 3-17	0701016	2-85, 2-97	0902219	2-64	1001091563	2-47
0641614	2-47	0701210	2-78	0902223	2-64	1001091568	2-47
0641615	2-47	0701414	2-16, 2-27	0902351	2-64	1001091587	2-34
0641616	2-64, 2-70, 3-15	0711025	2-26	0902412	2-64	1001091609	3-29, 7-7
0641618	2-92, 3-11	0711214	2-16	0902491	2-64	1001091618	7-8
0641620	2-3, 3-7, 3-12	0720606	3-26	0902673	2-64, 2-70	1001091620	7-9
0641622	3-7, 3-12	0720808	2-78, 2-82, 2-86, 2-93, 2-99	0902674	2-64	1001091664	3-29, 7-7
0641626	3-15	0721003	4-11	0902751	4-11	1001091665	3-29, 7-8
0641634	3-15	0721004	1-25	0902769	2-64	1001091712	10-2
0641640	3-15	0721005	4-25	0902888	2-90, 2-97	1001091713	10-2
0641652	3-7, 3-12	0721006	2-64, 2-78, 2-82, 4-11	0903242	2-53	1001091790	7-21
0641710	2-85	0721008	2-66	0903484	7-22	1001091794	2-36
0641772	2-77, 2-81	0731007	2-47	0903530	3-25	1001091892	2-27, 2-36
0641808	2-16, 2-18, 2-24, 2-34, 2-35, 2-90, 2-97, 3-11	0741605	3-7	0903697	7-22	1001091969	7-17
0641810	1-4, 1-8	0741607	1-25	0940049	2-70	1001091970	7-17
0641812	2-18, 2-26, 2-35, 2-53, 3-4, 3-24	0741609	1-8	0940070	2-16, 2-27, 2-36	1001091971	7-17
0641814	2-26	0741612	3-15	0940071	2-64	1001091972	7-17
		0760606	2-19	0940088	2-65	1001091973	7-17
		0760610	2-19	0940092	4-25	1001091974	7-17
		0760612	2-19	0940094	4-25	1001091975	7-17
		0761210	2-19	0940103	4-25	1001093382	2-17, 2-25, 2-34
		0771212	2-16	0940133	4-25	1001093389	10-4
		0791608	2-26	0940134	4-25	1001093943	2-28
		0801274	3-7, 3-15	0940159	4-27	1001094101	2-28, 2-29
		0801275	3-15	0940177	4-25	1001094321	2-28
		0801279	3-3	0961845	4-4	1001094375	2-79, 2-82, 2-86, 2-93, 2-100
		0801280	3-3	0961893	5-5	1001094475	2-78, 2-82, 2-86, 2-93, 2-99
		0801281	3-11, 3-15	0961894	5-11	1001094509	2-79, 2-82, 2-86, 2-93, 2-100, 7-22
				0961895	5-3		
				0961897	5-17		
				0961898	5-7		

## SECTION 11 PARTS NUMBER INDEX

Part Number	Page	Part Number	Page	Part Number	Page	Part Number	Page
1001094798	8-9	1001100347	7-19	1001109477	7-22	1001112551	8-14
1001094799	8-10	1001100381	2-25	1001109482	7-22	1001112570	2-20
1001094800	8-9	1001100382	2-24	1001109559	7-21	1001112586	2-93, 7-2, 7-21
1001094802	8-9	1001100386	2-64	1001109595	2-17	1001112587	2-93, 7-21
1001094803	8-10	1001101060	2-9, 2-12	1001109648	7-22	1001112588	7-2, 7-16
1001094804	8-9	1001101191	7-18, 7-22	1001109654	7-22	1001112589	7-16
1001094805	8-10	1001101196	7-19	1001109702	10-3	1001112592	2-20
1001094806	8-9	1001101197	7-19	1001110059	2-47	1001112612	7-11
1001094808	8-10	1001101241	2-29	1001110133	10-3	1001112651	1-4, 1-7
1001094809	8-9	1001101391	2-65	1001110166	2-70	1001112743	7-2, 7-16
1001094810	8-10	1001101392	2-65	1001110205	2-18	1001112762	2-19, 7-14
1001094899	2-9	1001101422	10-5	1001110206	2-18	1001112821	10-5
1001095307	6-5, 6-9	1001101623	2-65	1001110212	2-18	1001112849	2-20
1001095308	6-5, 6-10	1001101673	2-65	1001110213	2-18	1001112990	10-2
1001095392	10-3	1001101948	2-25	1001110325	7-2	1001112991	10-2
1001097150	7-22	1001101970	7-19	1001110327	2-55	1001112992	10-2
1001097243	1-4, 1-7, 5-15	1001101971	7-19	1001110328	2-55	1001113047	2-71
1001097553	2-20	1001102290	7-13	1001110329	2-55	1001113103	2-47
1001097939	2-59	1001102291	7-13	1001110330	2-55	1001113961	4-21, 4-22
1001097942	2-59	1001102304	7-13	1001110331	2-55	1001114371	8-13
1001097945	2-59	1001102601	2-55	1001110332	2-55	1001114372	8-13
1001097964	2-65	1001102602	2-55	1001110333	2-55	1001114595	2-35
1001097966	2-65	1001102644	2-78	1001110334	2-55	1001114632	2-35
1001098149	10-5	100110343	7-18	1001110335	2-55	1001114633	2-35
1001098234	7-21	100110344	7-18	1001110336	2-55	1001114634	2-34, 2-72
1001098349	7-21	1001103667	2-55, 9-1	1001110338	2-56, 7-11, 7-12	1001114896	4-4, 4-11, 7-6
1001098508	2-26	1001103810	1-4	1001110339	2-56, 7-11	1001114897	4-4
1001098908	7-10	1001104308	2-28	1001110340	2-56, 7-11, 7-12	1001115388	2-89, 7-20, 10-6
1001098909	7-10	1001105833	2-17	1001110341	2-56, 7-11, 7-12	1001115394	2-89, 7-20, 10-6
1001098910	7-10	1001105872	2-36	1001110342	2-57, 7-2, 7-12, 7-13	1001115398	2-89, 7-20, 10-5
1001098911	7-10	1001106339	7-11	1001110343	2-57, 7-2, 7-12, 7-13	1001115400	2-89, 7-20, 10-6
1001099051	2-29	1001106340	7-11	1001110344	2-57, 7-2, 7-12, 7-13	1001115404	2-77
1001099121	2-65	1001106449	2-59	1001110701	4-11	1001115405	2-81
1001099138	2-64, 2-65	1001106480	2-59	1001110872	2-89, 2-98, 7-20	1001115409	2-81
1001099139	2-65	1001106736	2-57, 7-12	1001110873	2-89, 2-98, 7-18, 7-20	1001115410	2-81
1001099421	10-5	1001106974	2-53	1001110926	10-6	1001115413	2-77
1001099422	10-5	1001107116	2-16	1001110974	10-5	1001115414	2-77
1001099640	2-26	1001107531	2-53	1001110979	4-27	1001115465	5-17
1001099828	2-25	1001107677	4-12	1001110980	4-27	1001115469	5-18
1001099829	2-24	1001107705	2-17	1001110982	4-27	1001115504	5-17
1001099869	2-78, 2-82	1001107796	4-12, 7-6, 7-7	1001111004	10-3	1001115617	5-18
1001099870	1-23	1001107952	4-13, 4-14	1001111017	2-55	1001115631	5-17
1001100121	10-5	1001107953	4-13, 4-14	1001111018	4-3	1001115633	5-18
1001100233	2-78, 2-82	1001107954	4-13	1001111019	4-3	1001115930	10-4
1001100234	2-78, 2-82	1001108256	4-25	1001111020	2-20	1001115931	10-4
1001100321	2-77, 2-81	1001108496	8-4, 8-10	1001112057	2-20	1001116163	10-6
1001100326	7-17	1001108579	2-47	1001112059	2-20	1001116280	2-71
1001100327	7-17	1001108617	2-3, 9-1	1001112067	2-20, 9-1	1001116288	2-24
1001100328	7-17	1001108703	6-18, 10-4	1001112068	2-20	1001116290	2-72
1001100329	7-17	1001108923	8-5	1001112069	2-20	1001116292	2-72
1001100331	7-17	1001108958	5-17	1001112070	2-20	1001116322	2-71
1001100333	7-17	1001108991	4-13	1001112071	2-20, 7-14	1001116344	2-71
1001100337	7-17	1001108992	4-13	1001112072	2-20	1001116356	2-71
1001100341	7-19	1001108993	4-13	1001112073	2-20	1001116358	2-71
1001100342	7-19	1001109029	8-5, 8-11	1001112075	2-20	1001116456	2-71
1001100343	7-19	1001109048	2-47	1001112077	2-17, 2-19	1001116457	2-71
1001100344	7-19	1001109064	2-20			1001116544	2-36
1001100345	7-19	1001109065	2-16			1001116545	2-36
1001100346	7-19	1001109475	7-22			1001116558	2-71

# SECTION 11 PARTS NUMBER INDEX

Part Number	Page	Part Number	Page	Part Number	Page	Part Number	Page
1001116560	2-71	1001121806	8-9	1001135114	3-26, 7-15	1001148653	3-17
1001116562	2-71	1001121807	8-9	1001137005	10-6	1001148902	10-4
1001116595	2-20	1001121809	8-9	1001137261	1-4, 1-7	1001148903	10-4
1001116597	10-3	1001121815	8-10	1001137672	10-6	1001148904	10-4
1001116598	10-3	1001121817	8-10	1001137737	2-28, 2-29	1001148905	10-4
1001116617	2-71	1001121819	8-10	1001137738	2-27	1001148906	10-4
1001116618	2-71	1001121820	8-10	1001137739	2-26	1001148971	10-4
1001116620	2-71	1001121822	8-10	1001137740	2-24	1001149730	10-5
1001116668	2-71	1001121862	10-4	1001137741	2-27	1001151082	10-3
1001116704	2-71	1001121891	2-34	1001137742	2-26	1060279	8-4, 8-11, 8-13
1001116787	2-70	1001122200	8-9	1001137743	2-24	1060341	4-25, 7-16
1001116846	8-8	1001122201	8-10	1001137898	2-26	1060343	2-92, 2-99, 7-20
1001116849	8-8	1001122305	10-2	1001137899	2-26	1060494	2-92, 2-98, 7-20
1001116851	8-8	1001122507	8-3	1001138328	6-18	1060584	1-25
1001117027	2-71	1001122508	8-4	1001138430	4-4	1060625	2-18, 2-25
1001117040	2-65	1001122509	8-10	1001138431	4-4	1060626	2-19, 2-25
1001117045	2-64, 2-65	1001122510	8-9	1001138432	4-4	1060633	7-22
1001117051	2-71	1001122511	8-10	1001138434	4-4	1060637	2-16, 2-24, 2-35
1001117054	2-71	1001122512	8-9	1001138494	4-4	1060708	2-92, 2-98, 7-16, 7-20, 7-21
1001117138	2-70	1001122513	8-9	1001138514	4-4	1060896	7-8
1001117139	2-65	1001122514	8-9	1001139099	10-4	1060902	7-9, 7-10, 7-13
1001117140	2-66	1001122515	8-4	1001139151	10-2	1060903	4-25
1001117172	4-5, 9-1	1001122516	8-4	1001140221	10-3	1060904	2-27, 7-15
1001117174	4-5	1001122517	8-10	1001140318	10-5	1060908	7-22
1001117294	10-4	1001122518	8-10	1001140429	4-4	1060918	4-5, 7-6
1001117307	2-71	1001122519	8-10	1001140645	10-3	1060919	4-9
1001117320	4-5	1001122520	8-10	1001141136	4-12, 7-6, 7-7	1060977	7-21
1001117399	3-29, 7-7	1001122521	8-10	1001141137	4-12, 7-6	1061018	7-10
1001117400	3-29, 7-8	1001122522	8-10	1001141138	4-11, 9-2	1061019	7-10
1001117523	2-71	1001125008	4-13	1001141140	4-4, 4-11, 7-6	10837580	2-7
1001117525	2-71	1001125009	4-13	1001141141	7-2	1120487	2-48
1001117804	3-3	1001125010	4-13	1001141967	7-17	1120510	3-17
1001117805	3-3	1001125011	4-13	1001141968	7-18	1120552	1-12
1001118344	2-71	1001125229	10-5	1001141969	7-18	1120601	2-65
1001118345	2-71, 2-72	1001125230	10-5	1001141970	7-17	1180375	3-8, 3-12
1001118416	4-11, 4-21, 4-22, 9-1	1001125344	2-47	1001141971	7-17	1220078	3-15
1001118417	4-11, 4-17	1001125345	2-47	1001142504	10-5	1260017	2-9
1001118434	2-70	1001125354	2-47	1001142505	10-5	1300019	1-12
1001118435	2-70	1001125393	10-6	1001143078	10-3	1320012	2-36
1001118473	3-24, 3-25	1001125468	2-35	1001143256	10-6	1320016	2-16, 2-27, 2-36
1001118599	2-92	1001125501	2-71	1001143513	10-3	1320022	2-18, 2-24, 2-29, 2-34, 2-36
1001118963	10-2	1001125502	2-71	1001143669	10-6	1320041	3-30
1001118964	10-2	1001125503	2-70	1001144018	4-4	1320061	3-30
1001119564	4-12	1001125504	2-70	1001144019	4-4	1320127	2-51
1001119939	10-2	1001125824	10-4	1001144021	4-4	1320176	2-18, 2-25, 2-29
1001119947	10-2	1001126828	2-71	1001144022	4-4	1320218	2-51
1001120206	10-3	1001127087	10-2	1001144023	4-3	1320220	2-51
1001120508	2-71, 2-72	1001128153	4-5, 7-2	1001144024	4-3	1320223	2-16, 2-18, 2-19, 2-24, 2-25, 2-27, 2-36, 3-29
1001120532	10-5	1001128479	4-3	1001144026	4-3	1320224	2-19
1001120993	10-3	1001128598	4-3	1001144027	4-3	1320263	2-20, 3-8, 3-12
1001121340	2-93, 2-94, 2-99, 2-100	1001128989	10-3	1001144319	2-28, 2-29	1320289	3-8, 3-12
1001121412	10-4	1001129555	4-11, 4-17, 4-18, 9-1	1001144320	2-27	1320294	3-8, 3-12
1001121669	7-9	1001131168	4-12	1001144321	2-26	1320315	5-8
1001121670	7-9	1001131269	8-4, 8-10	1001144323	2-24	1320318	2-90
1001121671	7-9	1001131731	3-8, 3-12	1001144629	4-3	1320323	2-34
1001121671	7-9	1001131992	7-2	1001145405	4-3, 4-4		
1001121802	8-9	1001133329	3-26, 7-15, 9-1	1001148650	3-16		
1001121804	8-9	1001134103	10-2	1001148651	3-16		
				1001148652	3-16		

## SECTION 11 PARTS NUMBER INDEX

Part Number	Page	Part Number	Page	Part Number	Page	Part Number	Page
1321384	.....2-66, 2-70	1700818	..... 2-34, 8-4	1703951	..... 8-8	1705903	..... 8-7
1340060	.....2-16, 2-27, 2-36	1701499	..... 8-3, 8-7, 8-13	1703953	..... 8-3	1705905	..... 8-11
1340061	..... 10-2	1701501	..... 8-3, 8-9, 8-13	1703980	..... 8-8	1705910	..... 8-11
1380136	..... 2-4	1701505	..2-18, 2-24, 8-4, 8-11, 8-14	1703981	..... 8-8	1705917	..... 8-8
1380147	..... 2-75			1703982	..... 8-8	1705921	..... 8-13
1560012	..... 7-6	1701509	..... 8-3, 8-7, 8-13	1703983	..... 8-8	1705961	..... 8-13
1580011	.....2-16, 2-36	1701518	..... 8-13	1703984	..... 8-8	1705967	..... 8-8
1580012	..... 4-6	1701542	..... 2-34, 8-4, 8-11	1704000	..... 8-8, 10-5	1705968	..... 8-8
1580013	..... 4-6	1701543	..... 2-34, 8-4	1704001	..... 8-8	1705969	..... 8-8
1600244	..... 7-22	1701691	..... 8-4, 8-10, 8-13	1704006	..... 8-7	1705978	..... 8-13
1600317	..... 4-11, 4-17	1702565	..... 4-11	1704007	..... 8-7	1706059	..... 2-25, 8-11
1600318	..... 4-11, 4-21	1702566	..... 4-11	1704098	..... 8-9	1706060	..... 2-25, 8-11
1660239	..... 2-16	1702567	..... 4-11	1704099	..... 8-9	1706061	..... 2-25, 8-11
1670829	..... 2-55	1702676	..... 4-11	1704101	..... 8-9	1706062	..... 2-25, 8-11
1670964	..... 3-24	1702701	..... 1-11	1704102	..... 8-9	1706063	..... 2-25, 8-11
1671022	..... 2-59	1702773	4-9, 8-4, 8-11, 8-14	1704103	..... 8-9	1706064	..... 2-25, 8-11
1671034	..... 3-29	1702774	..... 8-4, 8-11, 8-14	1704260	..... 4-11	1706098	..... 2-25, 8-14
1671044	..... 3-26	1702861	..... 8-4, 8-11, 8-14	1704277	..... 8-3, 8-7, 8-13	1706380	..... 8-9
1671059	..... 2-59	1702868	..... 8-3, 10-5	1704412	..... 8-3, 8-7, 8-13	1706385	..... 4-9
1671092	2-93, 2-99, 7-10, 7-19, 7-20	1702901	..... 2-4	1704578	..... 1-25	1706712	..... 2-55
1671093	..... 7-10, 7-19	1702903	..... 2-4	1704885	..... 8-4, 8-11, 8-14	1706941	..... 8-4, 8-10
1671176	..... 4-11	1702924	..... 2-4	1704906	..... 8-3, 8-9, 8-13	1707015	..... 8-4
1671201	..... 2-64	1702925	..... 2-4	1704907	..... 8-3, 8-9, 8-13	1707016	..... 8-4
1671228	.....2-64, 2-66	1702927	..... 2-4	1704972	.....2-25, 8-5	1707043	..... 8-10
1671230	..... 2-66	1702938	..... 4-14, 4-25	1704995	..... 8-4	1707044	..... 8-10
1671231	..... 2-66	1702941	..... 2-19, 2-25	1705014	..... 4-9	1707045	..... 8-10
1671232	..... 2-66	1702942	..... 2-19, 2-25	1705084	..... 8-13	1707046	..... 8-10
1671248	.....2-64, 2-65	1702943	..... 2-18, 2-25	1705088	..... 8-3	1707048	..... 8-10
1671311	..... 2-97	1702944	..... 2-19, 2-25	1705090	..... 1-25	1707051	..... 8-10
1683053	..... 5-5	1702961	..... 8-5, 10-3	1705132	..... 4-11	1707053	..... 8-10
1683059	.....5-3, 5-11	1702962	..... 8-5, 10-3	1705170	.....2-61, 4-14	2060025	.....2-16, 2-27, 2-36
1683077	..... 5-17	1703162	..... 2-16, 2-27, 2-36	1705325	.....2-78, 2-82	2080040	..... 2-70, 4-3, 4-5
1683078	..... 1-3, 1-7, 5-3	1703175	..... 8-4, 8-11, 10-3	1705336	..... 8-3	2080044	..... 3-29
1683609	..... 3-11, 5-5	1703475	..... 8-3, 8-9, 8-13	1705344	..... 8-8	2110404	..... 6-5, 6-9, 6-15
1683740	..... 1-4, 1-7, 5-13	1703482	..... 8-3, 8-9, 8-13	1705345	..... 8-8	2110406	..6-3, 6-5, 6-9, 6-13
1683818	..... 5-7	1703797	..... 8-3	1705347	..... 8-8	2110408	..2-41, 6-3, 6-5, 6-6, 6-9, 6-10
1683976	..... 5-11	1703804	..... 8-3	1705348	..... 8-8		
1683986	..... 5-3	1703805	..... 8-3	1705351	..... 8-5	2110604	..... 6-13
1684041	..... 3-15, 5-17	1703811	..... 8-3, 8-7, 8-13	1705364	..... 1-12	2110606	..... 6-3, 6-5, 6-15
1684043	..... 3-15, 5-17	1703814	..... 8-3, 8-7, 8-13	1705374	..... 2-93, 2-99	2110608	..... 6-16
1684045	..... 5-17	1703923	..... 8-8	1705375	..... 2-93, 2-99	2110612	..... 6-16
1684049	..... 5-17	1703924	..... 8-7, 8-8	1705376	..... 2-92, 2-98	2110808	..... 6-5, 6-9, 6-15
1684080	..... 5-7	1703925	..... 8-8	1705387	..... 2-93, 2-99	2110810	..... 6-6, 6-10
1684089	..... 5-5	1703926	..... 8-8	1705426	..... 8-11	2110812	..... 6-5, 6-9
1684090	..... 5-5	1703927	..... 8-8	1705427	..... 8-11	2111008	..... 6-15
1684123	..... 5-7	1703935	..... 8-8	1705429	..... 8-11	2111010	2-41, 6-6, 6-10, 6-15
1684133	..... 5-11	1703936	..... 8-8	1705430	..... 8-11	2111212	..... 6-5, 6-15
1684135	..... 5-11	1703937	..... 8-8	1705460	..... 2-93, 2-99	2111612	..... 6-15
1684136	..... 3-11, 5-11	1703938	..... 8-8	1705461	..... 2-93	2111616	..2-41, 6-5, 6-6, 6-9, 6-10, 6-15
1684188	..... 5-11	1703939	..... 8-8	1705489	..... 2-93		
1684189	..... 3-7, 5-11	1703941	..... 8-7	1705589	..... 2-4	2111620	..... 6-5, 6-9
1684191	..... 5-3	1703942	..... 8-7	1705822	..... 8-13	2112424	..... 2-44, 6-15, 6-17
1684198	..... 5-7	1703943	..... 8-7	1705828	..... 8-13	2120209	..... 2-3
1684199	..... 3-7, 5-7	1703944	..... 8-7	1705895	..... 8-8	2120210	..... 2-3
1684202	..... 3-11, 5-7	1703945	..... 8-7	1705896	..... 8-8	2120217	..... 3-25
1684267	..... 5-17	1703947	..... 8-8	1705897	..... 8-8	2130204	..... 6-9
1684269	..... 5-17	1703948	..... 8-8	1705898	..... 8-8	2130404	2-44, 6-5, 6-9, 6-13, 6-15, 6-17
1700584	.....8-4, 8-10, 8-13	1703949	..... 8-8	1705901	..... 8-7		
		1703950	..... 8-8	1705902	..... 8-8	2130406	..... 6-9, 6-13, 6-15



# SECTION 11 PARTS NUMBER INDEX

Part Number	Page	Part Number	Page	Part Number	Page	Part Number	Page
2130604	6-9	2221086	6-15	2720564	2-36	2753971	6-10
2130606	6-15	2221088	6-5, 6-9	2720566	2-34	2754040	6-10
2130608	6-15	2221176	2-18, 2-24, 2-34	2720567	2-34	2754044	6-9
2130612	6-16	2221183	6-5, 6-9	2720580	2-34	2754238	6-5
2130808	6-9	2221197	2-51	2750532	2-18, 2-24, 2-27, 2-36	2754240	6-5
2130810	2-44, 6-15, 6-17	2300004	2-18, 2-34, 10-4	2751032	2-9	2754242	6-5, 6-6
2131010	6-15	2300014	10-4	2753540	6-5, 6-9	2754243	6-6
2131012	6-5, 6-9	2300016	1-11, 10-4	2753545	6-15	2754337	6-9
2131210	6-15	2300021	10-4	2753549	6-9	2754338	6-10
2131212	2-41, 6-6, 6-10, 6-15	2300027	10-4	2753550	6-9	2754401	6-5, 6-9
2131216	2-44, 6-17	2300029	10-4	2753578	6-13	2754402	6-6
2131612	6-15	2300039	10-4	2753578	6-13	2754718	6-9
2131616	2-41, 6-6, 6-9, 6-10	2300040	10-4	2753590	6-16	2754719	6-9
2150404	6-15	2300041	2-18, 10-4	2753622	6-5, 6-9, 6-15	2754720	6-10
2150406	6-5, 6-9	2400060	2-93, 2-99, 7-11, 7-21	2753624	6-3	2754743	6-10
2150606	6-15	2400064	2-93, 2-99, 7-21, 9-2	2753625	6-15	2754744	6-10
2150808	6-9	2400065	7-13, 7-21	2753626	6-9, 6-15	2760105	2-56
2151212	6-15	2400066	7-13, 7-21	2753627	6-3, 6-16	2780227	1-15
2151616	6-5, 6-9	2400070	7-21, 9-2	2753628	6-10	2780229	1-4, 1-5, 1-8
2160001	2-9	2410014	4-9	2753629	6-3	2780272	1-11, 1-15
2170204	6-5	2420165	2-78, 2-82, 2-86, 2-93, 2-99	2753630	6-3	2792597	6-13, 6-18
2170306	6-13	2420172	2-56	2753634	6-10	2792648	6-3, 6-18
2170350	6-9	2420191	2-47	2753635	6-5	2792649	6-15, 6-18
2170406	6-5, 6-10	2420203	2-77, 2-81, 2-85	2753653	6-16	2792650	6-15, 6-18
2170408	6-9	2460048	2-90, 2-97	2753654	6-16	2792653	6-18
2170504	6-3, 6-5, 6-9	2460049	2-77, 2-81	2753656	6-16	2792678	6-18
2170506	6-3, 6-15	2460050	2-90	2753657	6-16	2792713	6-9, 6-18
2170508	6-5	2460051	2-85	2753660	6-5, 6-10	2792714	6-5, 6-18
2170516	6-5	2460055	2-77, 2-81	2753662	6-16	2792770	6-9, 6-18
2170708	6-9, 6-13	2540035	2-64	2753664	6-5, 6-10	2820020	4-6
2170804	6-13	2560122	2-4	2753665	6-16	2820031	2-78, 2-82, 2-85, 2-92, 2-98, 7-8
2180125	2-51	2560123	2-4	2753667	6-5, 6-10	2820035	2-59, 4-6, 7-16
2180344	2-9	2560136	4-11	2753670	6-16	2820078	2-66, 2-72
2180348	2-18, 2-24, 2-34	2560173	4-6	2753671	6-16	2820233	2-65
2180387	2-51	2560187	2-71, 2-72	2753672	6-16	2820234	2-65
2180388	2-51	2573001	1-8	2753674	6-16	2820235	2-65
2180389	2-51	2580024	2-19, 2-25	2753675	6-16	2820236	2-65
2180418	2-34, 2-51	2580050	2-18, 2-25	2753676	6-16	2840016	2-75
2180467	2-47	2580055	2-19	2753677	6-15	2860012	2-81
2180829	6-16	2580062	2-29	2753678	6-13, 6-16	2860030	2-56, 9-1
2180877	2-37	2600209	2-66	2753679	6-16	2900062	2-4
2200222	2-18, 2-24, 2-34	2600233	2-66	2753680	6-16	2900752	2-39, 2-40, 2-41
2220005	2-34	2600244	2-64	2753681	6-16	2900756	1-23, 2-4
2220063	2-9	2600280	2-70	2753682	6-16	2900770	3-19, 5-3
2220235	6-13	2600281	4-3	2753683	6-16	2900792	5-5
2220237	6-5, 6-9	2680490	2-64	2753684	6-16	2901271	5-3
2220261	2-51	2717059	6-16	2753685	6-5, 6-9	2901303	5-5
2220313	2-18, 2-24	2720058	2-16, 2-18, 2-24, 2-36	2753686	6-9	2901443	7-22, 10-6
2220418	2-51	2720144	2-51	2753688	6-5	2901537	5-7, 5-8
2220451	2-27	2720271	2-37	2753692	6-16	2901554	5-18
2220591	6-9	2720392	2-34	2753693	6-16	2902061	5-11
2220811	2-41, 6-6, 6-10	2720398	2-27	2753725	6-5	2902065	2-29
2220883	1-20, 5-5, 5-7, 5-11	2720434	2-16	2753807	6-5, 6-10	2902203	10-6
2220885	5-3, 5-5, 5-7, 5-11, 5-17	2720509	2-16	2753808	6-16	2902303	8-14
2220886	1-19, 1-20, 5-3, 5-17	2720515	2-16	2753895	6-13	2902307	8-5
2220888	1-20, 5-7	2720563	2-36	2753896	6-13	2902308	8-11
2221024	2-51			2753897	6-13	2902309	8-11
2221084	6-6, 6-10			2753935	6-5, 6-9	2902310	8-11
				2753970	6-10	2902311	8-11

## SECTION 11 PARTS NUMBER INDEX

Part Number	Page	Part Number	Page	Part Number	Page	Part Number	Page
2902312	8-11	3300205	2-56	3340877	2-72	3510833	4-3
2902322	8-11	3300240	3-15	3340881	3-16	3510868	4-9
2902329	8-14	3300241	3-15	3340936	3-8, 3-12	3510884	4-9
2902354	8-3, 8-9, 8-13	3300242	3-15	3340942	3-8, 3-12	3520028	2-78, 4-11
2902394	10-3	3300243	3-24	3340943	3-8, 3-12	3520030	2-70
2902401	2-24, 7-14	3300353	4-11	3340966	1-8	3520034	3-12
2902429	8-3, 8-9, 8-13	3300364	2-70	3380434	4-4	3520054	4-11
2902443	7-13	3300396	2-92, 2-98	3380444	2-64	3520072	4-3, 4-9
2902460	6-16	3300408	2-56, 4-11	3380461	2-64	3520189	7-20
2902461	6-16	3300430	4-27	3380575	2-64	3520198	4-3, 4-4
2902462	6-16	3310601	2-75, 2-78, 2-82, 2-86, 2-92, 2-93, 2-98, 2-99	3380580	2-64, 2-70	3536089	4-5
2902533	2-35, 7-14			3380652	10-4	3537416	2-28
2920028	4-14, 4-25			3420372	1-25	3537445	2-75
2920029	4-14	3310805	2-51, 2-59, 2-78, 2-82, 2-86, 2-93, 2-99	3420447	1-25	3537446	2-75
2920110	2-60			3421565	1-25, 2-9	3538047	1-3, 1-7
2920113	2-60			3422417	3-16	3539219	2-56
2920129	7-13	3311005	2-24, 2-60, 2-64, 2-66, 2-78, 2-82, 2-85, 4-11	3422424	3-16	3539622	3-16
2920140	4-5, 7-21			3422446	2-18, 2-24, 2-34	3539662	1-25
2920154	4-11			3422532	2-18, 2-26, 2-35	3539872	2-28, 2-36
2920157	2-60, 4-6	3311401	4-25	3422562	3-7	3539877	1-3
2920215	2-60	3311405	2-3, 2-4, 2-16, 2-18, 2-26, 2-28, 2-34, 2-35, 2-36, 2-59, 2-64, 2-70, 2-72, 2-85, 2-91, 2-92, 2-98, 3-30, 4-4, 4-27, 7-22, 8-4, 8-11, 8-14	3422567	1-7	3539878	1-3
2940045	2-70			3422569	3-7	3539971	2-28
2940074	4-3, 9-1			3422580	3-7	3571712	2-64
2940088	2-66			3422701	1-4, 1-7	3572009	1-25
2940173	2-70			3422702	1-3, 1-4, 1-7	3572010	1-25
2940188	2-65			3422703	1-3, 1-7	3572011	1-25
3020008	1-11			3422754	1-4, 1-8	3572012	1-25
3020016	2-18, 2-27, 10-4			3422755	1-3, 1-7	3572280	2-36
3020021	2-29	3311501	2-70, 4-25	3422793	3-11	3573047	3-29, 7-8
3020029	1-4, 1-8	3311505	1-23, 2-4, 2-16, 2-28, 2-34, 2-64, 2-72, 2-85, 2-89, 2-98, 3-29, 5-8	3422813	1-8	3573049	3-3
3020044	2-18, 2-27, 10-4			3422841	1-25	3573050	3-3
3160347	1-11, 1-19			3422847	1-25	3573296	3-29
3160348	1-11, 1-19			3422848	1-8	3573418	3-8, 3-12
3200362	2-27, 2-36	3311508	2-89	3422849	1-4	3574091	4-25
3200406	2-16, 2-27	3311601	2-47, 2-64, 2-70, 2-98, 4-12	3422860	3-11	3574172	5-8
3200449	3-26			3422861	3-11	3574179	2-4
3220113	2-16	3311605	2-17, 2-19, 2-26, 2-28, 2-36, 2-64, 2-65, 2-70, 2-75, 2-78, 2-81, 3-3, 3-8, 3-11, 3-12, 3-15, 3-25, 4-4, 4-9	3422867	3-11	3574206	2-17
3250585	4-6			3422908	3-3, 3-7, 3-11	3574207	2-17
3250872	1-25			3422909	3-3	3574208	2-17
3251102	2-78, 2-82, 2-85, 4-14			3422910	3-3	3574684	2-78
				3422920	3-3	3575359	4-25
3251242	8-13			3422922	3-7, 3-11	3575718	1-23
3251243	2-81, 2-85, 8-3, 8-7			3422930	3-3	3580134	2-77, 2-81
3251813	8-3, 8-9	3311608	3-8, 3-12	3422931	3-7, 3-11	3580158	2-81
3252347	8-3	3311705	2-78, 2-81	3422932	3-11	3580243	3-16
3252507	2-78, 2-82	3311801	1-11, 2-17, 2-24, 2-92	3422972	1-8	3580249	3-16
3252764	2-89, 2-98			3430816	2-75	3580276	2-77, 2-81
3252781	8-4, 8-10, 8-13	3311805	2-17, 2-28, 2-35, 2-36, 2-64, 2-70, 2-75, 3-3, 3-24	3440410	3-26	3580288	3-16
3271805	2-53, 4-9			3450404	2-75	3580289	3-16
3272001	3-15			3460544	2-18	3580312	2-85, 2-98
3272401	3-15	3312002	2-9	3470003	4-12	3580314	2-98
3290405	2-34	3312201	3-15	3480176	5-3	3580317	2-91
3290505	2-34, 2-78, 2-82	3321501	2-65	3480210	5-5	3580318	2-91
3290507	2-19	3322201	2-53	3480266	5-17	3580319	2-91
3290601	2-72	3340755	3-16	3480267	5-11	3580320	2-91
3290606	4-4	3340757	3-16	3480275	5-7	3580321	2-91
3290801	2-16	3340758	3-16	3510822	4-3	3580322	2-77
3300007	1-4, 1-8, 1-11	3340787	3-8, 3-12	3510830	4-3	3580324	2-85
3300151	4-4	3340871	3-16, 3-17	3510831	4-3	3580348	2-85, 2-98

# SECTION 11 PARTS NUMBER INDEX

Part Number	Page	Part Number	Page	Part Number	Page	Part Number	Page
3600295	2-39, 2-41	3910804	2-56	4070969	3-8, 3-12	4420038	2-47
3600324	2-43, 2-44	3910808	2-51	4070987	2-56	4420051	1-25, 8-13
3600410	2-19, 2-26, 2-35, 2-41, 6-6, 6-10	3911008	2-4	4071009	2-9	4420060	2-59, 2-79, 2-82, 2-86, 2-93, 2-99
3600411	2-19, 2-26, 2-35, 2-44, 6-17	3911018	4-11	4071020	3-17	4420068	4-25
3600424	2-3	3911040	2-60	4071043	2-59	4460007	4-12
3620033	2-28	3930816	2-59	4071059	1-8	4460018	2-79, 2-82, 2-86, 2-93, 2-100
3620040	2-36	3930828	2-59	4100100	5-5	4460027	2-77, 2-81, 2-85
3620047	2-17	3931448	5-17	4120035	7-11	4460049	4-25
3641533	2-94, 2-100	3931480	5-18	4130388	1-8	4460051	2-91, 2-98, 7-18, 7-20
3641569	4-25	3931508	5-17	4130389	1-4	4460071	2-91, 2-98, 4-5, 7-6, 7-20
3740049	2-56, 7-16, 9-1	3931516	5-5	4130390	1-4, 1-8	4460125	7-17
3740067	2-17, 2-28, 2-36, 9-1	3931624	3-3	4160139	2-65	4460134	7-16, 7-18
3740080	2-29, 2-78, 2-81, 2-85, 2-92, 2-98, 9-1	3931720	5-3	4160143	2-65	4460190	2-77, 2-81, 2-85
3753550	6-5	3931724	5-17	4160149	2-70, 3-16	4460205	7-16, 7-18
3760170	1-25, 2-9	3932240	5-7	4160187	3-3	4460224	7-15
3760367	5-3	3951608	3-16	4160194	2-70	4460225	7-7, 7-11, 7-20
3760368	5-5	3952020	2-9	4220162	2-60	4460226	7-6, 7-7, 7-9, 7-11, 7-12, 7-13, 7-15, 7-16, 7-20, 7-21, 7-22
3760369	5-11	3960389	2-64, 2-70	4220191	2-17	4460227	7-6, 7-7, 7-11, 7-15, 7-21
3780117	3-25	3960407	2-28	4240018	2-34, 2-70, 2-85, 2-90, 6-16	4460233	7-18
3790012	2-34, 2-60, 4-12, 4-14	3960422	2-89, 2-98, 7-18, 7-20	4240032	2-60, 2-78, 2-82, 2-86, 2-93, 2-99	4460234	2-60, 2-79, 2-82, 2-86, 2-93, 2-99, 4-12, 4-25
3790044	2-19, 2-26, 2-35	3960438	2-66	4240099	4-6, 4-25	4460259	7-16
3790112	5-18	3960461	2-60	4240139	2-47	4460260	7-16
3820001	1-25, 2-61, 8-4, 8-11, 8-14	3960462	2-66, 2-70	4280295	2-47	4460266	7-7
3820020	4-3	3960464	2-66	4300111	2-98	4460267	7-9, 7-10, 7-11, 7-16
3841143	1-3, 1-4, 1-7, 1-8, 2-18, 2-24, 2-34, 3-7, 3-11, 3-16	3960468	2-17, 2-28, 2-36	4300157	2-92	4460268	2-59, 7-12, 7-16
3841203	3-11	3960469	2-17, 2-28, 2-36	4341239	2-36	4460297	7-16
3841287	1-3, 1-7, 3-3, 3-7, 3-11	3960470	2-64	4341264	3-25	4460315	2-92
3841340	3-11, 3-29	3960548	2-19, 2-26, 2-35	4360031	4-5	4460320	7-9, 7-10, 7-15, 7-16, 7-21
3841356	3-3	3960549	2-19, 2-26, 2-35	4360057	4-25, 9-2	4460321	7-16, 7-22
3890013	3-16	3980007	2-19	4360070	2-92, 2-99, 9-2	4460346	2-89, 2-98, 7-17, 7-20
3890014	3-16	3990010	7-11, 9-2	4360232	7-21, 9-2	4460374	2-93, 2-99, 7-13, 7-16, 7-21
3890015	3-16	4010618	4-4	4360238	2-56, 4-11, 4-14, 9-1, 9-2	4460375	2-93, 2-99, 7-13, 7-16, 7-21
3890016	3-16	4031608	2-78, 2-82	4360330	4-11, 9-1	4460418	7-7, 7-11
3890017	3-16	4031709	2-19	4360331	4-11, 9-1	4460419	7-7, 7-11
3890018	3-16	4031911	2-17	4360336	2-34, 2-60, 2-78, 2-82, 2-85, 2-89, 2-98, 4-6, 4-14, 9-2	4460424	2-59, 7-9, 7-11, 7-12, 7-14, 7-16, 7-21
3890040	4-9	4032015	2-90	4360387	4-11, 4-14, 4-25, 9-1	4460425	2-92, 2-99, 4-25, 7-20, 7-21
3900054	4-9	4060092	7-18	4360407	4-11	4460426	2-56, 2-92, 2-99, 4-5, 4-14, 7-10, 7-20, 7-21
3900192	3-7, 3-11	4060802	2-78, 2-82, 2-85, 2-89, 2-98, 4-6, 4-14	4360469	2-56, 9-1	4460428	4-12, 7-6
3900210	2-70, 2-72	4060805	2-17, 2-28, 2-36	4360470	2-56, 9-1	4460434	7-7, 7-11
3900232	2-65, 3-25	4060906	2-56	4360475	2-56, 4-12, 9-1	4460457	7-12
3900268	2-56	4060907	2-60	4360476	2-56, 4-12, 9-1		
3900283	3-8, 3-12, 3-25	4060959	10-4	4360506	7-8, 9-1		
3900293	2-9	4061032	2-70, 6-16	4360517	2-53, 2-59, 7-15, 9-1		
3900310	5-7	4061049	2-92	4360522	2-60, 4-14, 9-2		
3900316	2-70, 3-8, 3-12	4070585	2-82	4360542	2-77, 2-81, 2-85		
3900363	2-72	4070863	3-16	4360544	3-26, 7-15		
3910606	2-89, 2-98	4070878	1-3, 1-7	4360578	2-59, 9-1		
3910608	2-75, 2-78, 2-82, 2-86, 2-93, 2-99	4070879	1-3, 1-7	4400275	2-51		
3910610	2-92, 2-99	4070895	3-16	4400420	2-51		
		4070897	3-16	4400439	2-47		
		4070898	3-16	4400453	2-47		
		4070929	3-16	4420037	4-6		
		4070939	3-16				
		4070940	3-16				
		4070944	1-3				
		4070945	1-3				

# SECTION 11 PARTS NUMBER INDEX

Part Number	Page	Part Number	Page	Part Number	Page	Part Number	Page
4460458	2-99, 7-12, 7-13, 7-16	4460911	7-6, 7-15	4461249	7-18	4711700	2-85
4460460	7-12	4460912	7-6, 7-15	4461250	7-19	4711800	2-75, 2-90, 2-98, 3-4, 4-9
4460464	7-8, 7-10, 7-11, 7-12, 7-13, 7-14	4460913	7-6, 7-15	4520252	1-11	4740036	1-25
4460465	2-93, 2-99, 7-8, 7-9, 7-10, 7-12, 7-15, 7-21	4460917	7-6, 7-7, 7-15	4520253	1-11	4740057	2-9
4460466	7-8, 7-13, 7-15	4460918	7-6, 7-15	4566468	5-11	4740076	2-65
4460467	7-22, 10-6	4460925	7-7	4567073	2-17	4740111	1-4, 1-8
4460470	2-56, 4-12, 7-6, 7-8, 7-10	4460926	7-6	4568133	1-25	4740119	2-75
4460471	2-56, 4-12, 7-6, 7-8, 7-10	4460928	7-6	4568240	5-7	4740155	1-8
4460473	7-8	4460929	7-7	4568264	5-18	4740171	2-65
4460488	2-56	4460943	7-11	4568273	5-7	4740256	1-4, 1-8
4460496	2-57, 4-12, 7-6, 7-12	4460944	7-12	4568282	5-18	4740274	2-17, 2-28, 2-36
4460497	2-57, 4-12, 7-6, 7-12	4460956	7-22	4568402	5-11	4740362	2-60, 4-4
4460508	7-7, 7-8, 7-11	4460957	7-22	4568708	6-13	4740397	2-82, 2-86, 4-14
4460509	7-8	4460958	2-89, 2-98, 7-20	4568721	2-17	4740439	3-11
4460510	7-22, 10-6	4460959	7-10	4568735	2-85, 2-98	4740444	2-56
4460526	2-56, 7-10	4460960	7-10	4569371	2-21	4740463	1-4, 1-8
4460536	7-11	4460961	7-16	4569394	2-36	4740472	1-3, 1-7
4460539	7-12	4460963	2-93, 2-99, 7-20	4620130	2-9	4740473	1-4, 1-8
4460608	7-13	4460967	2-93, 2-99, 7-21	4620131	2-9	4740492	3-4
4460634	7-11	4460968	2-59, 2-78, 2-82	4640113	1-11	4740500	2-65, 2-70
4460635	7-11	4460979	7-13	4640261	1-25	4740508	2-34
4460693	7-13	4461005	7-12, 7-14	4640509	5-5	4750600	2-92, 2-99
4460701	7-18	4461006	7-12, 7-14	4640673	5-8	4750800	2-51, 2-79, 2-82, 2-86, 2-93, 2-100
4460705	7-16	4461008	7-12, 7-14	4640750	2-17	4751000	1-25, 2-4, 2-47, 2-60, 2-65, 2-66, 2-78, 2-82, 2-86, 4-12
4460708	4-12, 7-6, 7-13	4461052	7-12, 7-14	4640751	2-28	4751400	2-4, 2-17, 2-19, 2-26, 2-28, 2-34, 2-36, 2-56, 2-59, 2-65, 2-70, 2-72, 2-90, 2-92, 3-17, 3-30, 4-12, 4-25, 8-4, 8-11, 8-14
4460709	7-18, 7-22	4461053	7-12, 7-14	4640774	6-13	4751500	2-4, 2-17, 2-25, 2-34, 2-65, 2-70, 2-78, 2-82, 2-86, 2-89, 3-29, 4-25, 5-8
4460710	7-18, 7-22	4461054	7-12, 7-14	4640858	5-3	4751600	1-23, 2-3, 2-17, 2-19, 2-28, 2-36, 2-47, 2-51, 2-65, 2-70, 2-77, 2-81, 2-98, 3-24, 4-4
4460742	2-99, 7-16, 7-21	4461060	7-12, 7-14	4640902	2-4	4751800	2-17, 2-25, 2-35, 2-36, 2-53, 2-70, 4-6, 4-9, 4-25
4460743	2-99, 7-16, 7-21	4461070	7-12, 7-14	4640930	2-4	4752000	2-18, 2-25, 2-34
4460761	7-6, 7-11	4461071	7-13	4640932	5-11	4760600	2-79, 2-82, 2-86, 2-92, 2-93, 2-99, 2-100
4460834	7-11	4461072	7-13	4640952	2-36	4761000	4-12
4460842	7-11	4461073	7-13	4641033	5-18	4761400	2-56, 2-92
4460865	7-8	4461074	7-13	4641144	5-7	4761500	2-89, 2-98
4460866	7-7, 7-8, 7-11	4461095	7-12	4641162	5-3	4761600	2-98
4460871	4-17, 4-18, 4-21, 4-22, 7-7, 7-11, 7-12, 7-15	4461109	7-13	4641186	3-25	4770600	2-75
4460873	7-7, 7-11	4461111	7-13	4641188	5-7	4791400	2-17, 2-28, 2-37, 2-
4460874	7-7, 7-11	4461113	7-13	4641194	5-7		
4460875	7-11	4461121	7-13	4641232	5-11		
4460876	7-7, 7-11	4461122	7-13	4641234	5-7		
4460878	7-11	4461123	7-13	4641251	3-24, 3-25		
4460879	7-7	4461124	7-13	4641262	5-18		
4460880	7-6, 7-9, 7-10, 7-12	4461157	7-13	4641263	2-4		
4460887	7-7, 7-11, 7-12	4461161	7-13	4641303	1-23		
4460891	7-9, 7-10, 7-12, 7-15	4461196	7-18	4641317	2-3		
4460892	7-14	4461197	7-19	4641432	2-3, 2-7		
4460894	7-14, 7-15	4461198	7-17	4711000	2-53		
4460897	7-10, 7-14	4461199	7-18	4711400	2-3, 2-24, 2-28, 2-35, 2-36, 2-59, 2-85, 2-90, 2-98, 3-29, 4-4, 4-27, 7-22		
4460899	7-13	4461200	7-19	4711500	1-23, 1-25, 2-17, 2-34, 2-72, 2-89, 2-98, 3-24, 4-12		
4460905	4-12, 7-6, 7-11	4461201	7-17	4711600	1-3, 1-7, 2-3, 2-17, 2-18, 2-28, 2-36, 2-66, 2-92, 3-3, 3-8, 3-12, 3-16, 3-24, 3-26		
4460906	2-85, 7-16	4461202	7-18				
4460910	7-6, 7-15	4461203	7-19				
		4461204	7-18				
		4461205	7-18				
		4461206	7-19				
		4461207	7-18				
		4461222	7-13				
		4461244	7-18				
		4461245	7-18				
		4461246	7-18				

# SECTION 11 PARTS NUMBER INDEX

Part Number	Page	Part Number	Page	Part Number	Page	Part Number	Page
	92	4922771	7-13	70001051	2-20	7000229	2-12
4811600	2-20, 2-78, 2-82	4922790	7-9	70001056	2-3	70002290	2-91, 2-98
4811700	2-19, 4-4	4922808	7-9	70001100	2-90, 2-97	70002297	2-90, 2-97
4811900	2-17, 2-19, 2-77, 2-86, 2-92, 2-98	4922809	7-9	70001103	2-48	7000230	2-12
4812000	2-20	4922871	7-9	70001120	2-20	7000231	1-15
4812100	2-17, 2-20, 2-78	4922872	7-9	70001126	2-30	7000235	1-15
4812200	2-28	4922873	7-9, 7-21	70001132	2-29	7000236	1-15
4831900	2-37	4922874	7-9, 7-21	70001248	2-53	7000238	1-15
4832000	2-17	4922875	7-9	70001384	2-90, 2-97	7000239	1-15
4844816	3-11	4922876	7-9	70001385	2-91, 2-98	70002390	1-23
4844817	3-11	4922877	7-9, 7-21	70001435	2-30	7000240	1-15
4844958	2-9	4922878	7-9	70001696	2-91, 2-97	70002415	2-30
4845395	2-28	4922883	7-21	70001697	3-19, 3-20	70002416	2-30
4845658	1-3	4922925	2-92, 2-98, 7-20	70001742	2-20	70002417	2-30
4846218	3-24	4923379	2-28, 7-15	70001835	2-30	7000246	2-12
4846295	1-25	4923420	2-99, 7-21	70001836	2-30	70002460	2-91, 2-97
4846296	1-25	4923445	7-16	70001837	2-30	7000248	2-12
4846355	3-4	4923462	7-8	70001838	2-30	7000253	2-12
4846413	1-7	4923466	7-9, 7-10	70001839	2-30	7000255	2-12
4846427	3-4	4923595	7-8	70001841	2-30	7000257	2-12
4846435	3-12	4923596	7-8	70001847	2-30	7000263	2-12
4846452	4-3	4923597	7-8	70001848	2-29	7000265	1-5, 1-8, 1-15
4846553	3-8, 3-12	4923598	7-9	70001850	2-29	70002705	2-16
4846554	3-8	4923599	7-9	70001866	2-30	70002706	2-16
4846555	3-12	4923600	7-9	70001868	2-30	7000272	1-15
4846558	3-8, 3-12	4923601	7-9	70001870	2-30	70002724	4-21
4846561	4-6	4933218	7-2	70001872	2-30, 7-14	70002725	4-22
4846566	2-28	4933219	7-2	70001874	2-30	70002726	4-22
4846573	3-24	4933231	7-2	70001941	2-60	70002727	4-22
4846588	2-65	4933249	7-2, 7-21	70001953	2-91, 2-97	70002728	4-22
4846673	4-3, 4-4, 4-25	4933349	2-99, 7-2, 7-21	70001966	2-91, 2-97	70002729	4-22
4846790	2-17	4933350	7-2, 7-16	70001969	2-90	7000273	1-15
4846805	2-17	70000122	2-77, 2-81	70001971	2-91	70002730	4-17
4846935	1-8	70000123	2-77, 2-81	70001972	2-91	70002731	4-18
4860224	1-11	70000164	2-35	70001973	2-91, 2-98	70002732	4-18
4860225	1-11	70000342	3-20	70001974	2-91, 2-97	70002733	4-18
4891600	2-26, 2-53, 2-75, 2-86, 2-98, 3-17, 3-24	70000345	2-30	70002065	2-12	70002734	4-18
4891800	1-11, 2-19, 2-26, 2-35, 2-75, 3-24	70000579	2-7	70002066	2-12	70002735	4-18
4892000	1-4, 1-8, 1-11, 2-9	70000580	2-7	70002067	2-12	7000274	1-15
4892600	3-24	70000582	2-7, 9-1	70002068	2-12	70002744	5-15
4920385	2-37	70000583	2-7	70002069	2-13	70002745	5-15
4922566	7-8	70000619	2-90, 2-97	70002070	2-12	70002746	5-15
4922567	7-8	70000781	1-23	70002071	2-12	70002747	5-15
4922569	7-8	70000782	2-12	70002072	2-12	70002748	5-15
4922594	2-56, 7-10	70000793	2-29	70002073	2-12	70002749	5-15
4922636	7-13	70000794	1-19	70002074	2-13	7000275	1-15
4922641	2-93, 2-99, 7-16, 7-21	70000795	1-19	70002075	2-13	70002750	5-15
4922643	7-16	70000797	1-19	70002085	2-13	70002751	5-15
4922660	7-8	70000863	2-90, 2-97	70002086	2-13	70002761	2-20
4922666	4-12, 7-6	70000912	2-29	70002088	2-90, 2-97	70002762	2-20
4922737	2-25	70000913	2-29	7000213	1-15	70002763	2-21
4922737	2-25	70000914	2-29	7000217	2-12	70002764	2-20
4922741	7-16	70000915	2-29	7000220	1-15	70002765	2-20
4922749	4-12, 7-6	70000916	2-30	70002200	2-30	7000281	2-13
4922764	7-21	70000917	2-30	70002231	2-3	70002818	2-94, 2-100
		70000918	2-30	70002234	2-30	70002819	2-94, 2-100
		70000919	2-30	7000224	1-15	7000282	1-15
		70000934	2-3	70002255	2-91, 2-97	70002820	2-94, 2-100
		70001017	2-16, 2-17, 2-29	7000228	2-12	70002821	2-94, 2-100

## SECTION 11 PARTS NUMBER INDEX

Part Number	Page	Part Number	Page	Part Number	Page	Part Number	Page
70002822	2-94, 2-100	7002823	7-22, 10-6	7007478	2-41	7016399	4-5
70002823	2-94, 2-100	7002826	10-6	7007483	2-40	7016654	10-6
70002824	2-94, 2-100	7002828	7-22	7007484	2-40	7016655	10-6
70002825	2-94, 2-100	7003928	4-17, 4-18	7007485	2-40	7016824	2-24, 2-35, 7-14
70002826	2-94, 2-100	7003933	4-21	7007487	2-40	7016825	2-24, 2-35, 7-14
7000283	1-15	7003935	4-21	7007488	2-40	7017023	2-13
70002833	2-20	7003941	4-21	7007494	2-40	7017028	2-13
70002834	2-20	7003946	4-21	7007496	2-41, 9-1	7017033	1-15
70002835	2-20	7003953	4-17	7007497	2-41, 7-15	7017047	1-16
7000284	1-15	7003969	4-21	7007498	2-41, 7-15	7017048	1-15
70002843	2-20	7003972	4-22	7007633	2-12	7017050	1-16
70002844	2-20	7003973	4-22	7010116	2-39, 2-41	7017051	1-5, 1-8
70002845	2-20	7003976	4-17	7010122	2-41	7017052	1-5, 1-8
70002846	2-20	7003977	4-17	7010404	1-5, 1-8	7017053	1-5, 1-8
70002847	2-20	7003980	4-22	7010405	1-5, 1-8	7017054	1-5, 1-8
70002848	2-20	7003982	4-22	7010406	1-5, 1-8	7017055	1-5, 1-8
70002849	2-20	7003983	4-22	7010464	1-15	7017056	1-5, 1-8
7000285	1-15	7003986	4-21	7010474	2-12	7017057	1-5, 1-8
70002850	2-20	7003989	4-22	7010492	2-12	7017058	1-5, 1-8
70002851	2-21	7003992	4-17, 4-21	7010542	2-7, 3-25	7017068	1-16
70002852	2-21	7003993	4-17, 4-21	7010543	2-3, 2-7, 3-25	7017070	2-12
7000287	1-16	7003994	4-21	7010545	2-7	7017072	2-12
7000288	1-16	7004035	2-13	7011016	2-3, 2-4	7017080	2-12
7000289	1-16	7004036	2-13	7011043	2-4	7017085	2-13
70002895	2-35, 9-1	7004043	2-13	7011044	2-4	7017125	3-19
7000290	1-16	7004044	2-13	7011048	2-4	7017136	3-19
70002902	4-5	7004045	2-13	7011062	2-3	7017137	3-20
70002903	4-5	7004047	2-13	7011112	5-11	7017138	3-20
70002904	4-5	7004049	2-13	7011323	3-19	7017139	3-19
70002905	4-5	7004275	10-6	7011325	5-8	7017140	3-19
70002906	4-18	7004276	10-6	7011346	5-18	7017141	3-19
70003454	2-53	7007208	2-39	7012513	2-77, 2-81, 2-85	7017142	3-20
70003483	4-5	7007412	2-41	7012514	2-77, 2-81, 2-85	7017158	3-20
70003708	2-91	7007413	2-39	7012518	3-26	7017159	3-20
70003709	2-91	7007414	2-39	7012540	2-7	7017162	3-19
70003784	4-11	7007415	2-44	7012558	2-77, 2-81, 2-85	7017163	3-19
70003921	3-8, 3-12, 9-2	7007417	2-39	7012664	2-16, 2-27, 2-36, 9-1	7017164	3-19
70003922	3-8, 3-12, 9-2	7007419	2-39	7012694	2-4	7017172	3-19
70003935	1-23	7007423	2-39	7012699	2-4	7017175	3-19
70003936	1-23	7007425	2-39	7012903	2-7	7017192	3-19
70004019	2-4	7007435	2-39	7012907	2-7	7017210	5-13
7000625	4-5	7007437	1-20, 2-39	7012925	2-7, 5-7	7017211	5-13
7000663	2-30	7007438	1-19, 2-39	7012941	2-3	7017213	5-13
7000731	1-16	7007439	1-19, 2-39	7012942	2-7	7017214	5-13
7001498	2-41	7007441	2-39	7012943	2-7, 3-26, 5-7, 9-1	7017215	5-13
7001901	1-15	7007442	2-39	7012944	2-3, 2-7, 3-25, 3-26, 9-1	7017236	5-13
7001902	1-15	7007446	1-19, 2-39	7012953	2-4, 3-25	7017402	2-7, 3-25, 3-26
7001903	1-15	7007452	2-39	7012954	2-4	7017406	1-23
7001906	1-15	7007453	2-41	7012955	3-25	7017422	2-7
7001909	2-12	7007454	2-40	7012961	2-4	7017451	2-7, 5-7, 9-1
7001911	2-12	7007457	2-40	7012965	3-25	7017452	3-26
7001912	2-12	7007463	2-40	7012967	2-7, 3-25, 3-26, 5-7	7017479	3-26
7001928	1-15	7007464	2-40	7012975	2-7	7017489	2-7
7001931	2-12	7007465	2-40	7012989	3-25	7017492	1-23
7001985	2-12	7007466	2-40	7012998	2-7	7017496	2-4, 2-7
70020808	7-15	7007470	2-39	7016314	2-48	7019103	4-21
70020809	7-15	7007472	2-40	7016331	2-29, 9-1	7019110	4-21
7002821	7-22, 10-6	7007474	2-41	7016380	2-60	7019111	4-17, 4-21
7002822	10-6	7007475	2-41			7019112	4-21

# SECTION 11 PARTS NUMBER INDEX

Part Number	Page	Part Number	Page	Part Number	Page	Part Number	Page
7019114	4-21	7021213	2-40	7023921	2-7	7024390	2-13
7019115	4-21	7021214	2-40	7023922	2-7, 3-25, 3-26	7024396	2-13
7019122	4-17	7021218	2-40	7023923	2-7, 5-7	7024404	2-53
7019123	4-17	7021219	2-40	7023925	2-7	7024439	2-47
7019141	4-17	7021220	2-40	7023927	5-7	7024440	2-48
7019142	4-17	7021221	2-40	7023933	1-23	7024441	2-47
7019143	4-17	7021222	2-40	7023947	2-43	7024442	2-47
7019144	4-17	7021223	2-40	7023948	2-43	7024443	2-47
7019145	4-17	7021226	2-41	7023949	2-43	7024444	2-47, 9-1
7019147	4-17	7021227	2-41	7023950	2-43	7024445	2-47
7019149	4-17	7021228	2-41	7023951	2-43	7024446	2-47
7019150	4-17	7021229	2-41	7023952	2-43	7024452	4-6
7019151	4-21	7021230	2-41	7023953	2-43	7024453	2-13
7019154	4-21	7021231	2-41	7023954	2-43	7024454	2-13
7019155	4-21	7021249	1-19	7023955	2-43	7024455	2-13
7019160	4-21	7021275	1-19, 2-44	7023956	2-43	7024456	2-13
7019161	4-21	7021276	1-19	7023957	2-43	7024457	2-13
7019162	4-21, 4-22	7021277	1-19	7023958	2-43	7024458	2-13
7019164	4-22	7021612	2-7	7023959	2-43	7024481	2-47
7019165	4-22	7021616	3-26	7023960	2-43	7024484	2-90, 2-97
7019166	4-22	7021625	1-23	7023961	2-44	7024485	2-91, 2-97
7019167	4-22	7021639	1-23	7023962	2-44	7024488	2-90, 2-97
7019168	4-21	7022302	1-19	7023963	2-44	7024489	2-90, 2-97
7019171	4-17	7022305	1-19	7023964	2-44	7024508	5-18
7019174	4-17	7022310	1-19	7023965	2-44	7024560	2-29
7019177	4-17	7022311	1-19	7023966	2-44	7024561	2-90, 2-97
7019194	4-22	7022312	1-19	7023967	2-43, 2-44	7024565	2-30
7019196	4-22	7022313	1-19	7023977	2-39	7024579	2-30
7019197	4-17	7022314	1-19	7023982	5-7	7024598	2-75
7019656	2-36	7022318	2-44	7023983	3-26	7024704	2-12
7019680	2-77, 2-81, 2-85	7022326	1-20	7023984	3-25	7024717	1-16
7020020	2-3	7022328	1-19, 1-20	7023985	2-7	7024718	1-16
7020108	2-77, 2-81, 2-85	7022368	1-19	7023986	2-7	7024762	2-12
7020109	2-77, 2-81, 2-85	7022371	1-20	7023987	2-7	7024763	1-16, 2-13
7020110	2-77, 2-81, 2-85	7022372	1-20	7024100	2-13	7024781	1-15
7020111	2-77, 2-81, 2-85	7022397	1-23	7024146	1-15	7024782	1-15
7020175	2-56, 4-12	7022399	1-23	7024147	1-15	7024783	1-15
7020176	2-56, 4-12	7022808	4-17, 4-18	7024148	1-15	7024784	2-13
7020190	2-77, 2-81, 2-85	7022812	4-21, 4-22	7024149	1-15	7024828	2-41
7020193	7-16	7022814	4-17	7024151	1-15	7024832	3-26
7020246	2-55	7022815	4-17, 4-18	7024154	1-15	7024844	1-23
7020408	2-30	7022816	4-17	7024155	1-15	7024854	1-20
7020449	2-30	7022817	4-17	7024182	1-16	7024862	1-19
7020459	2-30	7022818	4-17	7024189	1-16	7024867	1-19
7020465	2-29	7022819	4-17, 4-18, 7-15	7024190	1-16	7024868	1-19
7020468	2-29	7022822	4-21	7024191	1-16	7024871	1-20
7020471	2-30	7022823	4-21	7024192	1-16	7024881	1-23
7020479	2-30	7022824	4-21	7024193	1-16, 1-17	7026004	5-18
7020487	2-29	7022825	4-21, 4-22, 7-15	7024194	1-16	7026015	5-18
7021200	2-39	7023023	5-13	7024195	1-17	7026016	5-18
7021201	2-39	7023318	2-13	7024196	1-16, 1-17	7026188	2-91, 2-97
7021202	2-39	7023907	1-19	7024197	1-16, 1-17	7026197	2-53
7021203	2-39	7023908	1-19	7024369	3-8, 3-12	7026199	2-77, 2-81, 2-85
7021205	2-39	7023910	1-19	7024370	3-8, 3-12	7026503	2-53
7021206	2-40	7023911	3-26	7024374	2-47	7026504	2-53
7021207	2-40	7023915	3-25	7024375	2-47	7026505	2-53
7021208	2-40	7023917	1-23	7024379	2-13	7026506	2-53
7021209	2-40	7023918	2-7	7024380	2-13	7026507	2-53
7021212	2-40	7023919	2-7, 5-7	7024381	2-13	7026509	2-53

# SECTION 11 PARTS NUMBER INDEX

Part Number	Page	Part Number	Page	Part Number	Page	Part Number	Page
7026597	2-91, 2-97	77143013	2-56				
7026608	2-30	80424002	2-12				
7026631	2-29	80424043	2-13				
7026800	2-21	80934561	2-53				
7026801	2-20	8229242	7-11				
7026802	2-21	8303541	2-19				
7026803	2-21	8320270	2-29, 9-1				
7026804	2-21	8405009	2-17, 2-47				
7026805	2-21	8405104	2-17				
7026806	2-21	8406009	2-19				
7026807	2-21	8406105	2-19				
7026808	2-21	8406109	2-20				
7026809	2-21	88521205	2-17, 2-25, 2-34				
7026810	2-21	8896941	10-6				
7026811	2-21, 9-1	91401281	2-17, 2-25, 2-34				
7026812	2-21						
7026813	2-21						
7026814	2-21						
7026815	2-21						
7026816	2-21						
7026817	2-21						
7026819	2-21						
7026820	2-21						
7026821	2-21						
7026822	2-21						
7026826	2-21						
7026827	2-21						
7026828	2-21						
7026829	2-21						
7026830	2-20, 9-1						
7026831	2-21						
7026832	2-21						
7026833	2-21						
7026839	2-20						
7027004	2-24, 7-14						
7027015	2-35, 7-14						
7027017	2-35, 7-14						
7027018	2-35, 7-14						
7027027	7-14						
7027028	2-19, 7-14						
7027029	2-19, 7-14						
7027030	2-19, 7-14						
7027031	2-19, 7-14						
7027412	2-17						
7027740	1-19						
7027741	1-20						
7027790	2-30						
7027791	2-30						
7027792	2-30						
7027793	2-30, 7-14						
7027795	2-30, 9-1						
7027796	2-30, 7-14						
7027799	2-91, 2-97						
7027887	2-77, 2-85						
7027965	2-35, 9-1						
7027972	2-35, 9-1						
7027991	7-15						
7029592	2-3						
7029593	2-4						



# SECTION 11 PARTS NUMBER INDEX

Part Number	Page	Part Number	Page	Part Number	Page	Part Number	Page
-------------	------	-------------	------	-------------	------	-------------	------





3121270



An Oshkosh Corporation Company

Corporate Office  
JLG Industries, Inc.  
1 JLG Drive  
McConnellsburg PA. 17233-9533  
USA

☎ (717) 485-5161

📠 (717) 485-6417

## JLG Worldwide Locations

JLG Industries (Australia)  
P.O. Box 5119  
11 Bolwarra Road  
Port Macquarie  
N.S.W. 2444  
Australia

☎ +61 2 65 811111

📠 +61 2 65 813058

JLG Latino Americana Ltda.  
Rua Eng. Carlos Stevenson,  
80-Suite 71  
13092-310 Campinas-SP  
Brazil

☎ +55 19 3295 0407

📠 +55 19 3295 1025

JLG Industries (UK) Ltd  
Bentley House  
Bentley Avenue  
Middleton  
Greater Manchester  
M24 2GP - England

☎ +44 (0)161 654 1000

📠 +44 (0)161 654 1001

JLG France SAS  
Z.I. de Baulieu  
47400 Fauillet  
France

☎ +33 (0)5 53 88 31 70

📠 +33 (0)5 53 88 31 79

JLG Deutschland GmbH  
Max-Planck-Str. 21  
D - 27721 Ritterhude - Ihlpohl  
Germany

☎ +49 (0)421 69 350 20

📠 +49 (0)421 69 350 45

JLG Equipment Services Ltd.  
Rm 1107 Landmark North  
39 Lung Sum Avenue  
Sheung Shui N. T.  
Hong Kong

☎ (852) 2639 5783

📠 (852) 2639 5797

JLG Industries (Italia) s.r.l.  
Via Po. 22  
20010 Pregnana Milanese - MI  
Italy

☎ +39 029 359 5210

📠 +39 029 359 5845

Oshkosh-JLG Singapore  
Technology Equipment Pte  
Ltd  
29 Tuas Ave 4,  
Jurong Industrial Estate  
Singapore, 639379

☎ +65-6591 9030

📠 +65-6591 9031

Plataformas Elevadoras  
JLG Iberica, S.L.  
Trapadella, 2  
P.I. Castellbisbal Sur  
08755 Castellbisbal, Barcelona  
Spain

☎ +34 93 772 4700

📠 +34 93 771 1762

JLG Sverige AB  
Enkopingsvagen 150  
Box 704  
SE - 176 27 Jarfalla  
Sweden

☎ +46 (0)850 659 500

📠 +46 (0)850 659 534