



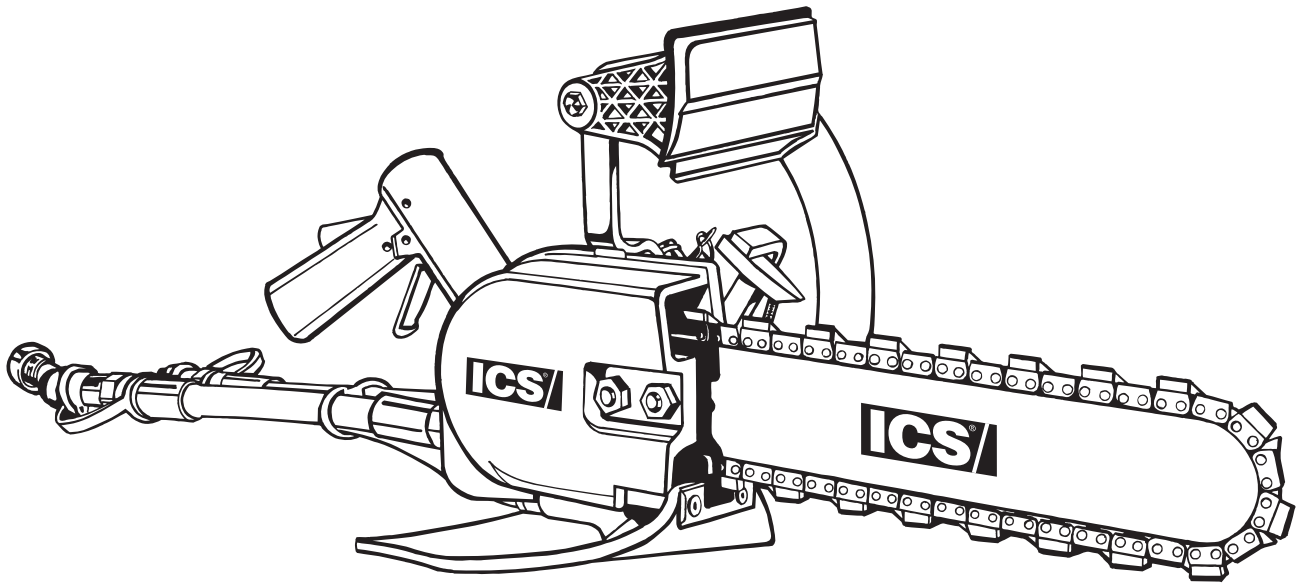
Click Here To View
Item at

www.GapPower.com

Sales • Rentals
Parts & Service



814PRO Hydraulic Saw



OPERATOR'S MANUAL

INTRODUCTION

This manual outlines the maintenance and operation of ICS® manufactured products.

This is a professional tool and is solely intended for use by trained and experienced operators.

To get the maximum benefit from your saw, and ensure maximum safety, be sure to read this manual thoroughly, and periodically review safety instructions.

SYMBOLS & LABELS	4
SAFETY	5
TECHNICAL SPECIFICATIONS	7
SET-UP	8
OPERATION	10
MAINTENANCE	12
TROUBLESHOOTING	14
REFERENCE	15

THE FOLLOWING SYMBOLS AND DEFINITIONS ARE FOUND THROUGHOUT THIS MANUAL AND ARE DESIGNED TO MAKE YOU AWARE OF POTENTIAL HAZARDS OR UNSAFE PRACTICES



A potentially hazardous situation exists which, if not avoided, could result in death or serious injury.



A potentially hazardous situation exists which, if not avoided, may result in minor or moderate injury or property damage.



A potential situation exists which, if not avoided, may result in product or property damage.

THE FOLLOWING SYMBOLS & LABELS MAY BE FOUND IN THIS MANUAL OR ON THE SAW



Read the operator's manual carefully and understand the contents before you use this equipment.



Always use:

- Protective helmet
- Ear protection
- Protective glasses or full face protection



Wear hand protection

⚠ WARNING	
<ul style="list-style-type: none"> • Do not exceed 8 gpm (30 lpm) hydraulic flow at 2,500 psi (172.5 bar) hydraulic pressure • Minimum water pressure 20 psi (1.5 bar) • Weight 15 lbs (6.8 kg) w/o bar and chain 	<ul style="list-style-type: none"> • Inserting the tool into a pre-cut slot that is narrower than the chain may cause binding and rapid push-back of the tool toward the operator • Always operate tool with solid footing and firm hand grip • Contact at a hydraulic leak or burst can cause oil injection into the body
<p>READ OPERATIONS & MAINTENANCE MANUAL BEFORE USE OF TOOL. FAILURE TO OBSERVE THESE PRECAUTIONS CAN RESULT IN SERIOUS PERSONAL INJURY</p>	

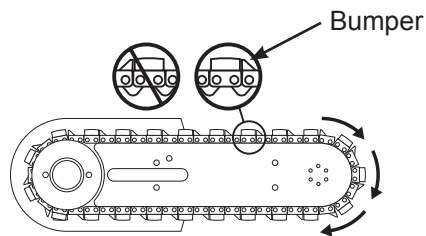
THE FOLLOWING SYMBOL APPLIES TO ALL THE ITEMS LISTED ON THIS PAGE



A potentially hazardous situation exists which, if not avoided, could result in death or serious injury.

Diamond chain breakage can result in high-speed ejection of parts, which can result in death or serious personal injury to operators or bystanders. The items listed below are critical to minimizing the risk of diamond chain breakage and injury.

- **DO NOT** operate a diamond chainsaw with a damaged, modified, broken or missing side cover, bottom guard or guard flap. The side cover, bottom guard and guard flap provides protection against contact with moving parts, ejected debris, broken diamond chain, thrown water and concrete slurry.
- **DO NOT** operate saw with loose, missing damaged or improperly repaired parts.
- **DO NOT** exceed 8 gpm (30 lpm) hydraulic flow at 2,500 psi (172.5 bar) hydraulic pressure.
- **DO NOT** install or run the chain backwards. The bumper should lead the segment into the cut.



- **DO NOT** run the saw backwards. The chain should travel away from the operator on the top of the bar and return on the bottom of the bar.
- **DO NOT** insert the diamond chainsaw into a slot narrower than the chain segments. Rapid pushback might occur. Ref: Most diamond segments are .225 (5.72 mm) wide.
- **DO NOT** use the 814PRO side cover as a replacement cover for another saw.
- **DO NOT** run the saw upside-down. Concrete debris can fly back into the operator's face.
- **NEVER** cut ductile iron pipe with the saw. Segment loss or diamond chain breakage may occur.
- **DO NOT** use your hands to search for hydraulic leaks. Hydraulic fluid escaping under pressure can penetrate skin. If any hydraulic fluid is injected into skin seek medical attention immediately.

THE FOLLOWING SYMBOL APPLIES TO ALL ITEMS LISTED ON THIS PAGE **CAUTION**

A potentially hazardous situation exists which, if not avoided, may result in minor or moderate injury or property damage.

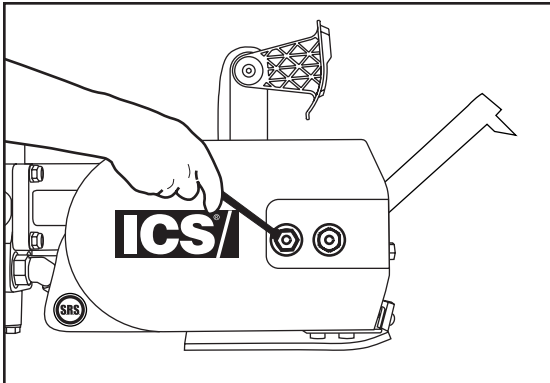
- **Always turn the saw OFF when performing maintenance on the saw including diamond chain tensioning.**
- **Never use equipment that is not functioning properly. Have the saw repaired by qualified service personnel.**
- **Insufficient water supply may result in excessive wear to the chain, which can lead to loss of strength and chain breakage. Minimum water pressure is 20 psi (1.5 bar).**
- **Never start the saw unless the guide bar, diamond chain and side cover are properly installed.**

GENERAL SAFETY PRECAUTIONS

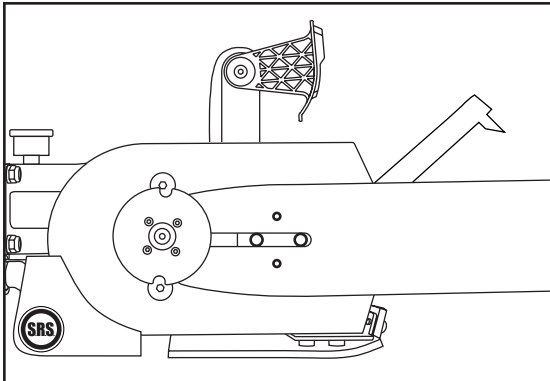
- Always wear protective clothing, including hard hat, eye protection, hearing protection, and gloves.
- Avoid loose fitting clothing.
- Perform safety checks before starting each day.
- Always operate tool with solid footing and with both hands on cut-off saw.
- Remove or control slurry to prevent slippery conditions while cutting.
- Be sure there are no obstructions (plumbing, electrical conduit, air ducts) and no unnecessary people present.
- Set up a well-marked safety zone with a roped boundary and clear signs.
- Provide adequate ventilation when working in an enclosed area. Breathing exhaust gases is dangerous.
- To avoid electrocution, check for live electrical wiring near cutting area.

Weight w/out bar and chain	15 lbs (6.8 kg)
Length	14.3 inches (36.3 cm)
Height	11.3 inches (28.7 cm)
Width	9.2 inches (23.4 cm)
Hydraulic Supply	8 gpm (30 lpm) @ 2,500 psi (172.5 bar)
Hydraulic Fluid Requirements (Type)	Mobil DTE 13M or equivalent
Water Pressure	Minimum: 20 psi (1.5 bar)
Water Flow	1 gpm (4 lpm) recommended
Operating Speed	8,800 rpm (avg. free running) 4,500 sfm (avg. free running chain)
Noise Level	88 dB @ 3 ft (1 m)
Vibration	3.5 m/sec ² (front handle) Ref. ISO standard no. 7505
Torque	84 in-lbs (114 Nm)
Horsepower	11.5 hp (8.6 kW)

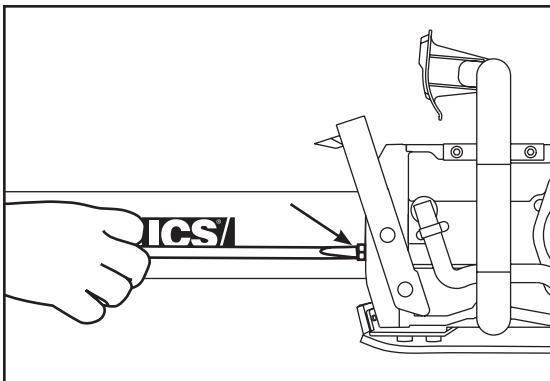
GUIDE BAR AND DIAMOND CHAIN INSTALLATION



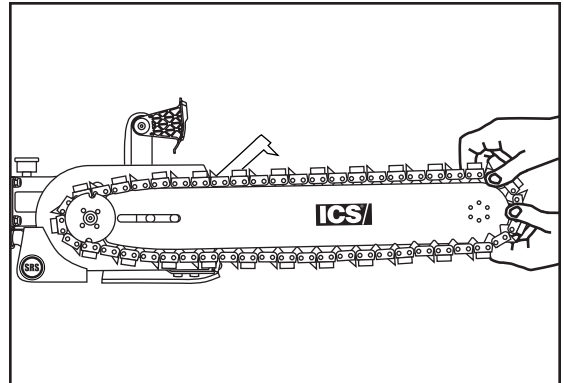
STEP 1
Loosen the side cover nuts and remove the side cover.



STEP 2
Place the bar onto the studs and the chain adjustment pin.

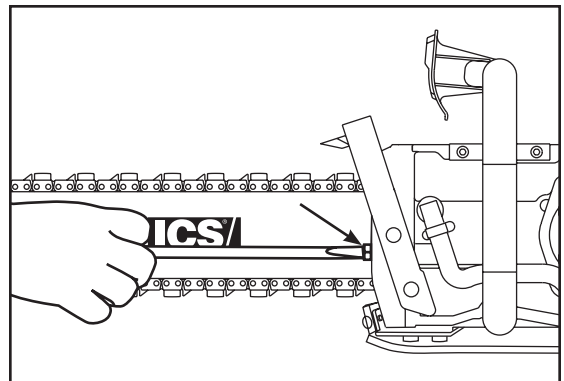
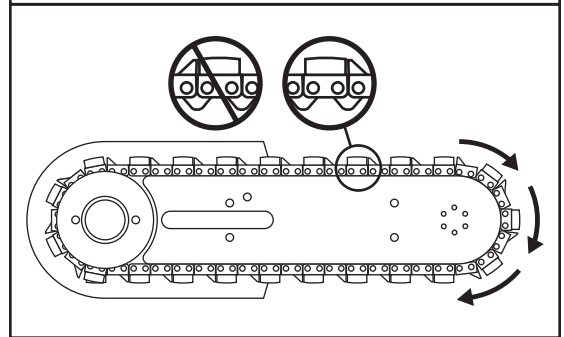


STEP 3
Turn the chain-tensioning screw CCW until the bar comes into contact with the drive sprocket.



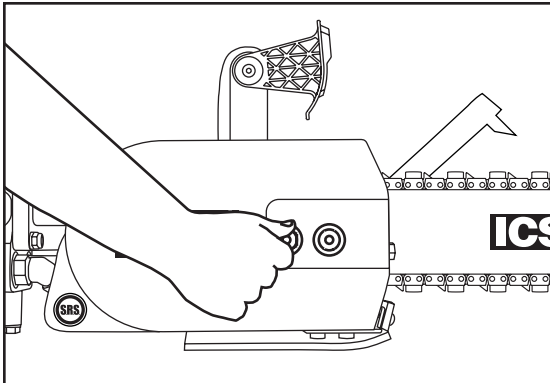
STEP 4
Mount the chain on the bar starting at the drive sprocket & continue over the bar nose.

Install the chain correctly. The bumper must always lead the segment into the cut as shown here.



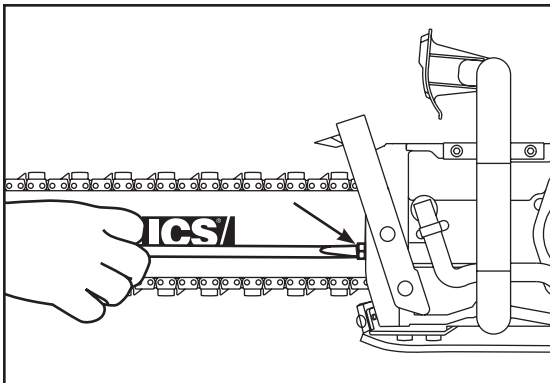
STEP 5
Make sure all of the drive links are inside the bar groove, then pre-tension the chain.

GUIDE BAR AND DIAMOND CHAIN INSTALLATION



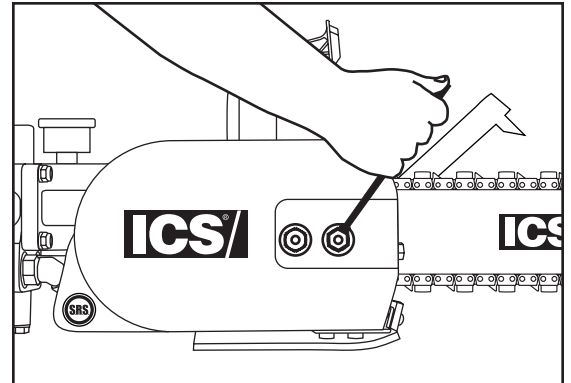
STEP 6

Install the side cover over the bar studs and install the side cover nuts. Finger tighten only.



STEP 7

Tension the chain. Do not over tension the diamond chain. Loss of power will result. It is normal for the driveline to hang underneath the guide bar. The diamond chain should be snug but be able to be pulled around the guide bar by hand.



STEP 8

Lift up on the nose of the bar and firmly tighten the side cover nuts. To prevent chain tensioner breakage, be sure the side cover nuts are tightened to approximately 20 ft-lbs (27 Nm).

PRE-CUT CHECKLIST

- Proper Diamond Chain Tension: The diamond chain should be tight but easily pulled around the guide bar by hand.
- Ensure all safety devices are properly mounted and functional and that all controls are in proper working order.
- Be sure there are no obstructions (plumbing, electrical conduit, air ducts).
- Always wear protective clothing, including hard hat, eye protection, hearing protection, non-slip safety boots, gloves, and avoid wearing loose fitting clothing.
- Adequate Water Supply and Pressure
1 gpm (4 lpm) recommended water flow
Minimum water pressure 20 psi (1.5 bar)

Note: The single most important factor an operator can control to increase chain life is to use adequate water pressure. Insufficient water supply will result in excessive wear to the chain, which can lead to loss of strength and chain breakage.

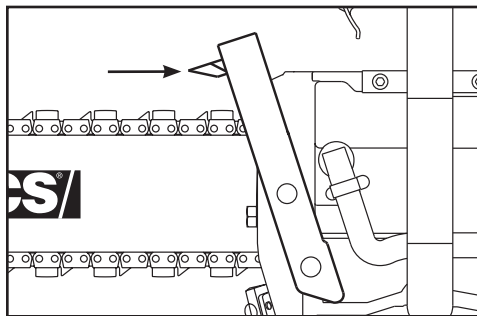
- Proper Hydraulic Supply to the saw
Maximum Flow 8 gpm (30 lpm)
Maximum Hydraulic Pressure 2,500 psi (172.5 bar)

PLANNING THE CUT

- Outline the cut with a permanent marker for a visual cutting guide.
- Avoid pinching the guide bar and diamond chain. Always cut the bottom of an opening first, then top, and then the sides. Save the easiest cut for last.
- For the straightest cuts use the “Step Cut” method. First score the entire cut line approximately 1/2 inch (12 mm) deep using the nose of the guide bar. Next, deepen the cut by about 2 inches (50 mm). Then plunge all the way through and complete the cut using the WallWalker®.
- Be sure cut concrete cannot fall and injure operator or bystanders. Concrete is very heavy, one cubic foot = 12 in x 12 in x 12 in = 150 lbs (30 cm x 30 cm x 30 cm = 68 kg).
- Check for live electrical wiring near the cutting area or in the concrete to avoid electrocution.

CUTTING TIPS

- To start a cut, hold trigger on full throttle and slowly plunge the nose of the guide bar straight into the wall. Use the fixed WallWalker® as a pivot point and pull up on the rear handle to rotate the guide bar into the cut.
- Always operate the saw at full throttle. Apply enough feed force so that the free running RPM drops 20 to 30%. If too much force is applied, the saw will lug or stall. The diamond chain will not have enough speed to cut effectively. If too little feed force is applied, the diamonds will skid and glaze over.
- For straighter cuts use the “Step Cut” method. First score the entire cut line with the nose of the guide bar approximately 1/2 inch (12 mm) to 1 inch (25 mm) deep. Next, deepen the cut by about 2 inches (50 mm). This groove will help guide the guide bar for a straight cut. Then plunge all the way through and complete the cut using the WallWalker®.
- Use the WallWalker® to help cut more efficiently and reduce operator fatigue. The Wallwalker® is a fulcrum that converts inward force to downward force and will develop a 4-to-1 mechanical advantage. To use correctly, plunge into the wall and simply engage the point of the WallWalker® into the cut and push straight in. The WallWalker® will force the saw to feed down.



- Apply upward force on the trigger handle to keep the WallWalker® engaged properly, otherwise the WallWalker® pick will skid, which will reduce the effectiveness. As the saw begins to rotate up, feed force is developed down the line of the intended cut. Once the saw is fully rotated upwards, pull the saw out of the cut a few inches and re-engage the WallWalker® to the wall and repeat.
 - When cutting rebar, slowly rock the saw so that you're always cutting concrete as well as steel. This will help keep the diamonds exposed. Also, expect less diamond chain life when cutting rebar.
 - Expect more diamond chain stretch and guide bar wear when making “nose buried” cuts for extended periods of time, as the diamond chain does not have a chance to throw the slurry away from the nose of the guide bar.
 - If the saw begins to cut consistently crooked, turn the guide bar over and use the other side. Dress worn rails with belt sander.
- Note: The normal life of a guide bar is two to three diamond chains. Rebar can shorten guide bar life.**
- When using a new diamond chain, you can increase the cutting speed by opening up the diamonds by making a few cuts in an abrasive material such as a cinder block.

SYSTEM CLEAN-UP

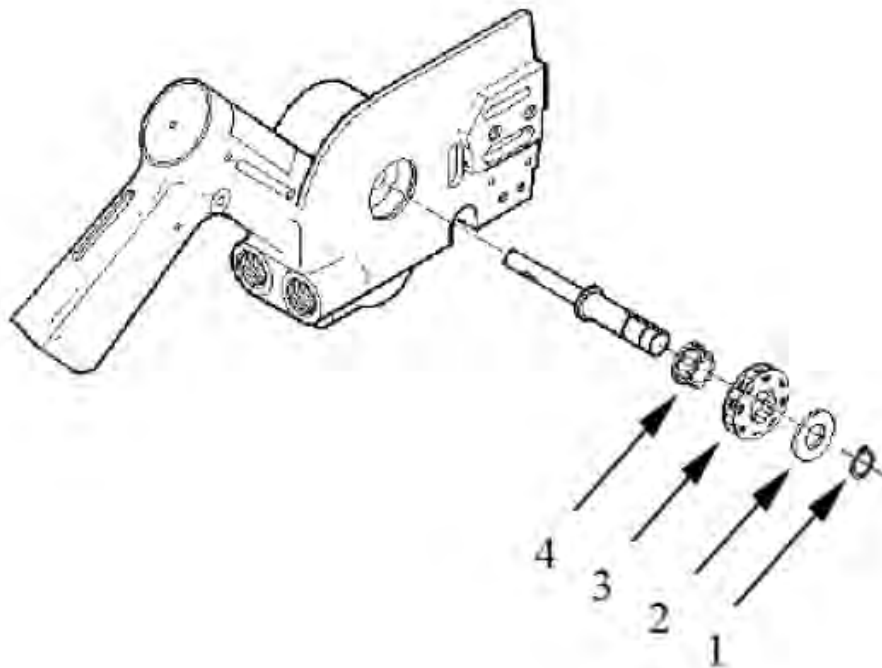
- After cutting, run the saw for at least 15 seconds with the water on to flush slurry and debris from diamond chain, guide bar and drive sprocket.
- Wash concrete slurry from saw assembly.
- Avoid getting any water in the carburetor or exhaust system. If water enters exhaust port, point the guide bar tip down and pull the starter handle several times to expel water from muffler.
- Remove guide bar and diamond chain. Flush out the chain tensioner with high water pressure and lube with grease.
- After cleaning the saw, spray the entire saw body, diamond chain, guide bar, and drive sprocket with lightweight oil. Using lightweight oil on the saw will minimize rust and help reduce slurry build up.

DRIVE SPROCKET REMOVAL

- **STEP 1** – Remove the sidecover, bar, and chain using the srench.
- **STEP 2** – Remove the retaining ring.

⚠ IMPORTANT

The drive sprocket (rim sprocket) is a wear item and should be changed every 2–3 diamond chains.



1. Retaining Ring
2. Washer
3. Rim Sprocket
4. Splined Sprocket Adaptor

Note: Rim sprocket may be installed with either side facing outwards.

TROUBLESHOOTING

- **SLOW DIAMOND CHAIN SPEED** – Be sure the powerpack is providing the correct hydraulic pressure and flow (8 gpm / 30 lpm at 2,500 psi / 172.5 bar).
- **POOR CUTTING SPEED** – The diamonds may be glazed over. Make a few cuts in an abrasive material such as a cinder block to expose the diamonds.
- **PREMATURE CHAIN STRETCH** – Not enough water pressure. The minimum water pressure is 20 psi (1.5 bar). Insufficient water supply will result in excessive wear on the chain, which can lead to loss of strength and chain breakage.
- **CHAIN TENSIONER BREAKAGE** – Side cover nuts are not tight enough. Torque to 20 ft-lbs (27 Nm).
- **WATER NOT FLOWING** – Water hose is kinked or supply is not turned on.
- **MOTOR WON'T TURN** – Hydraulics are hooked up backwards or powerpack is set on reverse flow.

**Further questions?
Call 800.321.1240
or
visit our website at:
icsbestway.com**

APPROXIMATE CUTTING RATES

Material	Cutting Rate
Concrete – 6 in (15 cm)	5 lineal in/min (12 cm/min)
Red Brick – 6 in (15 cm)	10 lineal in/min (25 cm/min)
Rebar – #4 (12 mm)	10–20 seconds through each piece

INCH-FOOT DEFINITION

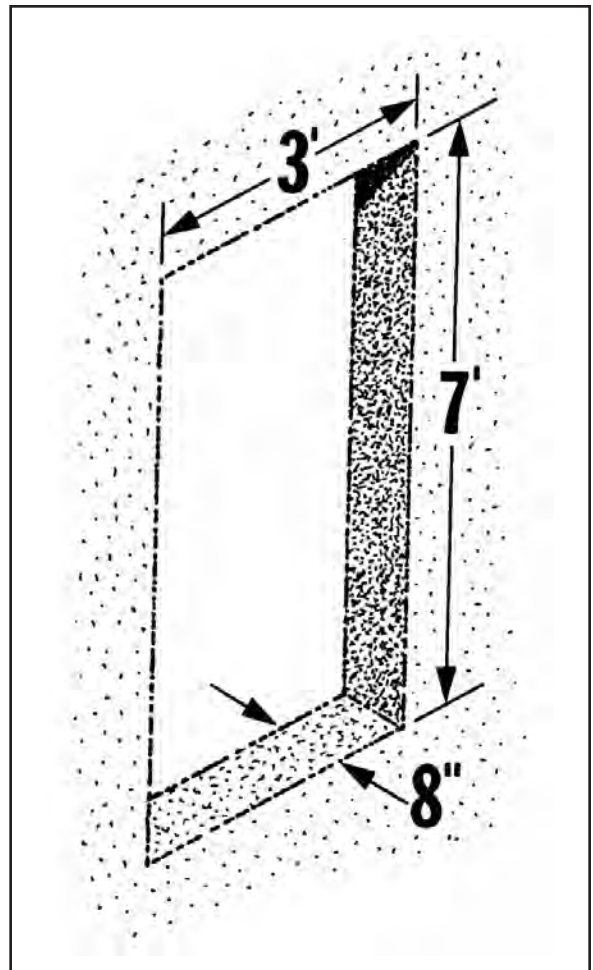
An in-ft is a measure of how much material is to be cut.

An in-ft is defined as: depth in inches times length in feet.

Note: 129 in-ft = 1 m²

Example: How many in-ft are in this doorway?

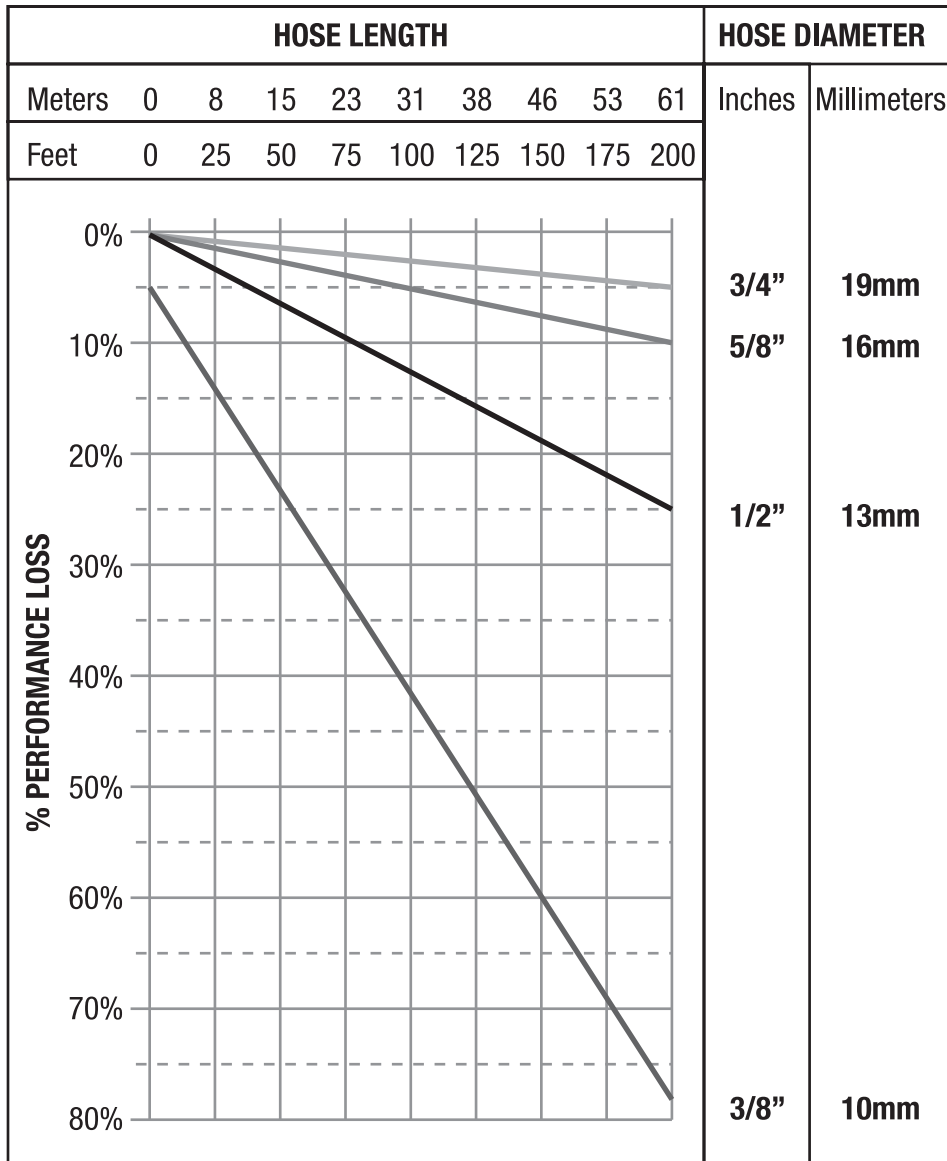
1. Determine the depth of the cut in inches.
For this example, 8 inches.
2. Determine the length of the cut in feet.
 $3+7+3+7=20$ feet
3. Multiply the two numbers
 $8 \text{ in} \times 20 \text{ ft} = 160 \text{ in-ft}$



PERFORMANCE LOSS VS. HYDRAULIC HOSE LENGTH

ASSUMPTIONS:

- 8 gpm (30 lpm) flow at 2,500 psi (172.5 bar)
- Zero elevation change
- 2 pairs of flush-face fittings per hose





EC DECLARATION OF CONFORMITY

DECLARATION CE DE CONFORMITE
EG-KONFORMITÄTSEKLRUNG
DICHIARAZIONE CE DI CONFORMITÀ
EY-VAATIMUSTENMUKAISUUSVAKUUTUKSESSA
EF-OVERENSSTEMMELSESERKLAERINGEN
DECLARACIÓN CE DE CONFORMIDAD
EG-CONFORMITEITSVERKLARING
DECLARAÇÃO CE DE CONFORMIDADE
EG-FÖRSÄKRAN OM ÖVERENSSTÄMMELSE


Manufacturer: **Blount International, Inc.**
Mandataire 4909 SE International Way
Bevollmächtigter Portland, Oregon 97222
Mandatario
Edustajan
Repräsentant
Representante
Gevolmachtigde
Mandatário
Representerar

BLOUNT INC. DECLARES THE FOLLOWING PRODUCT(S) COMPLY WITH ALL RELEVANT EUROPEAN DIRECTIVES

Machinery: **Diamond chain saw ICS 814 Pro**
Machine Tronçonneuse à chaîne diamantée ICS 814 Pro
Maschine Diamant-Kettensäge ICS 814 Pro
Macchina Sega a catena diamantata ICS 814 Pro
Koneet Timanttiketjusaha ICS 814 Pro
Maskine Diamant Kædesav ICS 814 Pro
Máquina Sierra con cadena de diamante ICS 814 Pro
Machine Diamant Kettingzaag ICS 814 Pro
Máquina Serra de cadeia diamantada ICS 814 Pro
Maskin Motorsåg med diamantkedja ICS 814 Pro

EUROPEAN DIRECTIVES AND STANDARDS

Machinery Directive	2006/42/EC	2006
Basic Concepts, general principles for design; Basic terminology and methodology	EN ISO 12100-1,-2	2009
Measurement of vibration at power tool handle	EN ISO 20643	2008
Acoustics – Sound power using sound pressure	EN ISO 3744	2009
Portable Chainsaws – Chain Catch, Dimensions & Mech Strength	ISO 11681	2004

Corporate Contact: 
Kevin Cyrus
Manager – Product Safety & Compliance
Blount International Inc.
Phone: 001.503.653.4403
Fax: 001.503.653.4593

European File Location:
Blount Europe S.A.
Rue Emile Francqui, 5
1435 Mont-Saint-Guibert
Belgium

Place: Portland Oregon, USA
Date: 17 January 2012

814PRO OPERATOR'S MANUAL

**ICS, Blount Inc.
4909 SE International Way
Portland, OR 97222
Tel 800.321.1240 Fax 503.653.4393
icsbestway.com**